

Installation Instructions

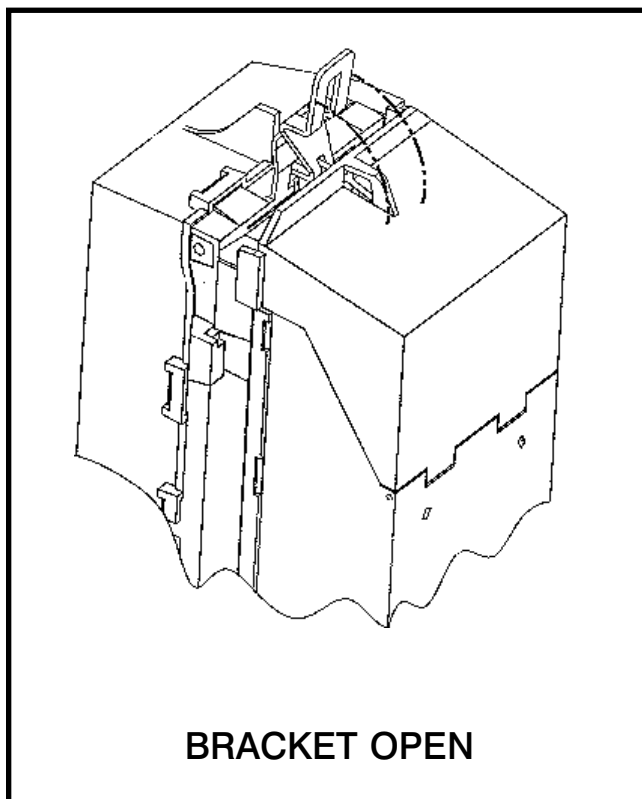
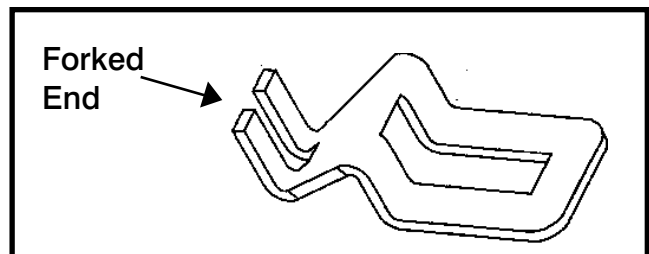
BA30 Locking Bracket

A bill box locking bracket (Part No. 922405) is now available for the Coinco BA30 bill acceptor. This bracket, used along with a customer-supplied lock, prevents the removal of dollar bills (maximum shank diameter of the lock is 5/32”).

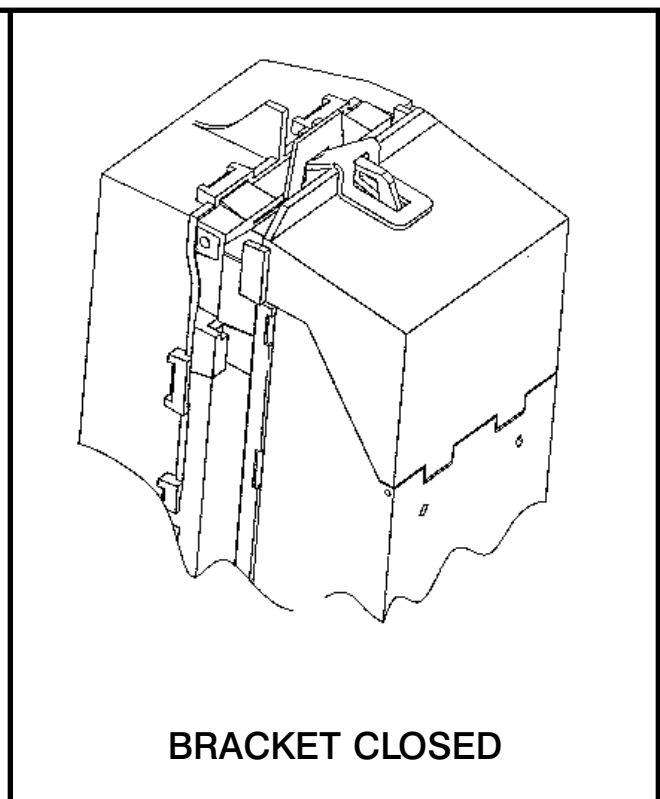
The locking bracket is only compatible with BA30's manufactured the week of 4495 and later. To retrofit BA30's manufactured prior to 4495, it will be necessary to replace the bill acceptor's bill box assembly. The locking bracket is compatible with both the 300-note bill box (assembly number 407251) and the new BA50 500-note bill box (assembly number 407763).

INSTALLATION INSTRUCTIONS

With the cash box lid closed, insert the forked end of the locking bracket through the bill box tab. Rotate the bracket down, over the cash box lid. Insert the customer-supplied lock through the hole in the bill box lid to secure.



BRACKET OPEN



BRACKET CLOSED