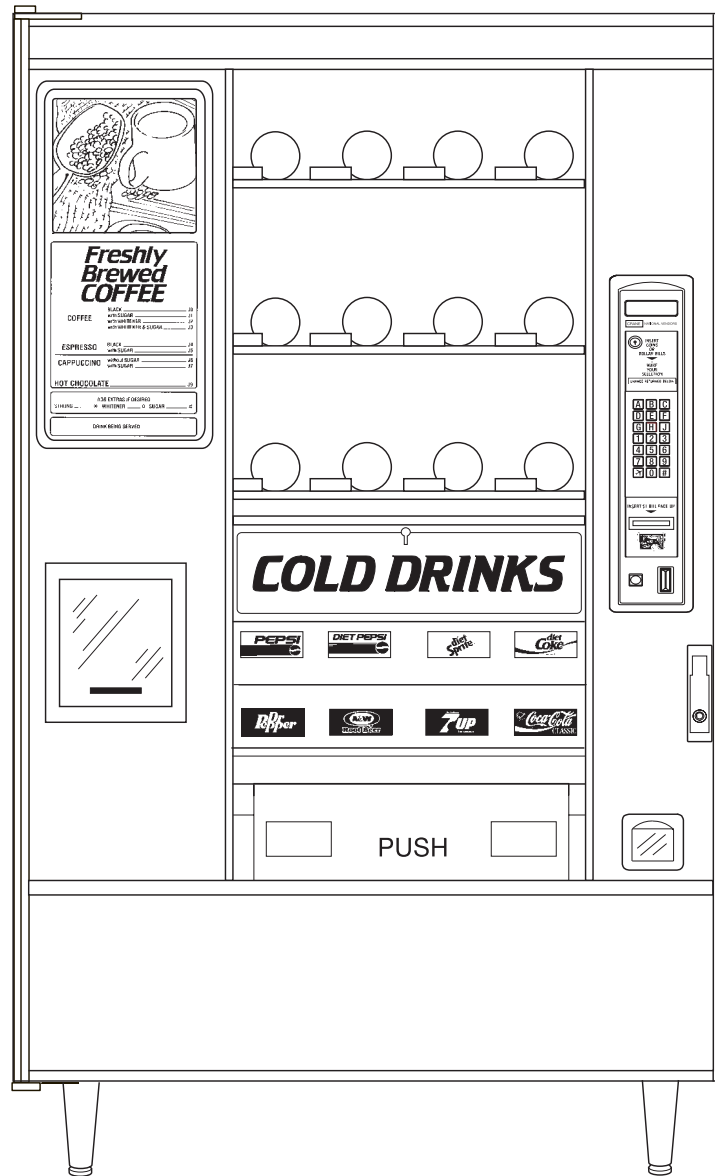


Models 785, 786, 788, 789

# Refreshment Center 3



## PARTS MANUAL

12955 Enterprise Way  
Bridgeton, Missouri 63044-1200  
(314) 298-3500

7850000

Copyright 4-99





## LIST OF FIGURES

| FIGURE .....  | PAGE |
|---|------|
| 1. 785/786/788/789 MERCHANDISER .....   | 1    |
| 2. COMMON CABINET (PART 1 OF 2) .....   | 2    |
| 3. COMMON CABINET (PART 2 OF 2) .....   | 4    |
| 6. POWER PANEL ASSEMBLY - MODELS 788, 789 (U.K.) .....  | 6    |
| 7. POWER PANEL ASSEMBLY - MODELS 788, 789 (FRANCE & GERMANY) .....  | 8    |
| 8. POWER PANEL ASSEMBLY - MODELS 785, 786 (U.S.) .....  | 10   |
| 9. MONETARY PANEL ASSEMBLY (PART 1 OF 4) .....  | 12   |
| 10. MONETARY PANEL ASSEMBLY (PART 2 OF 4) .....   | 14   |
| 11. MONETARY PANEL ASSEMBLY (PART 3 OF 4) .....   | 16   |
| 12. MONETARY PANEL ASSEMBLY (PART 4 OF 4) - MILLENNIA STYLING .....                                       | 18   |
| 13. MONETARY INSERTS - UPPER POSITION .....   | 20   |
| 14. MONETARY INSERTS - LOWER POSITION .....   | 21   |
| 15. CARD READER AND BILL VALIDATOR COMBINATIONS .....   | 22   |
| 16. CANDY TRAY ASSEMBLY (PART 1 OF 2) .....   | 26   |
| 17. CANDY TRAY ASSEMBLY (PART 2 OF 2) .....   | 28   |
| 18. SNACK TRAY ASSEMBLY (PART 1 OF 2) .....   | 30   |
| 19. SNACK TRAY ASSEMBLY (PART 2 OF 2) .....   | 32   |
| 20. GUM AND MINT TRAY ASSEMBLY (PART 1 OF 2) .....  | 34   |
| 21. GUM AND MINT TRAY ASSEMBLY (PART 2 OF 2) .....  | 36   |
| 24. BASE PLATE ASSEMBLY .....   | 38   |
| 25. DOOR ASSEMBLY .....   | 40   |
| 26. DOOR GLASS AND GLASS RETAINING COMPONENTS (MILLENNIA STYLING) .....                                   | 44   |
| 27. HORIZONTAL TRIM AND GLASS CHANNEL ASSEMBLY (MILLENNIA STYLING) .....                                  | 46   |
| 28. COMMON TRIM AND PANEL COMPONENTS - STANDARD STYLING .....   | 48   |
| 29. COMMON TRIM AND PANEL COMPONENTS - MILLENNIA STYLING (PART 1 OF 2) .....                              | 54   |
| 30. COMMON TRIM AND PANEL COMPONENTS - MILLENNIA STYLING (PART 2 OF 2) .....                              | 56   |
| 31. COIN RECEPTACLE ASSEMBLIES .....  | 58   |
| 32. LIGHT ASSEMBLY - UPPER DOOR .....   | 60   |
| 33. FLUORESCENT SIDE LIGHT ASSEMBLY .....   | 62   |
| 34. DOOR LOCK AND HANDLE ASSEMBLY (STANDARD STYLING) .....  | 64   |
| 35. DOOR LOCK AND HANDLE ASSEMBLY (MILLENNIA STYLING) .....   | 66   |
| 36. GUM AND MINT ASSEMBLY .....   | 68   |
| 37. DELIVERY PAN ASSEMBLY .....   | 72   |
| 38. DELIVERY PAN ASSEMBLY DOOR LOCK MECHANISM - PART 1 OF 2<br>(FOOD MODULE EQUIPPED MACHINES ONLY) ..... | 74   |
| 39. DELIVERY PAN ASSEMBLY DOOR LOCK MECHANISM - PART 2 OF 2<br>(FOOD MODULE EQUIPPED MACHINES ONLY) ..... | 76   |
| 40. LEG, LEVELER, AND LEG AND HINGE ASSEMBLIES .....  | 78   |
| 48. CAN AND REFRIGERATION MODULE .....  | 88   |
| 49. MOTOR AND EJECTOR MOUNTING CHANNEL ASSEMBLY .....   | 90   |
| 50. CAN UNIT FRAME ASSEMBLY .....   | 92   |
| 51. CAN COMPARTMENT ASSEMBLY .....  | 94   |
| 52. REFRIGERATION MODULE ASSEMBLY - CHILLED SNACK - NO FOOD/NO CAN<br>(MODELS 788, 789) .....             | 96   |
| 53. REFRIGERATED FOOD MODULE AND HOUSING ASSEMBLY .....   | 98   |
| 54. MAJOR COMPONENTS - REFRIGERATED FOOD MODULE .....   | 100  |
| 56. REFRIGERATED AND FROZEN FOOD MODULE DOOR FRAME ASSEMBLY .....   | 104  |
| 57. REFRIGERATED AND FROZEN FOOD MODULE - INTERIOR VIEW (PART 1 OF 2) .....                               | 106  |
| 58. REFRIGERATED AND FROZEN FOOD MODULE - INTERIOR VIEW (PART 2 OF 2) .....                               | 108  |
| 59. GENERAL TRAY ASSEMBLIES - REFRIGERATED AND FROZEN FOOD MODULE .....                                   | 110  |
| 60. PUSHER MODULE ASSEMBLY .....  | 112  |



| FIGURE .....  | PAGE |
|---|------|
| 61. BELT MODULE ASSEMBLY .....  | 114  |
| 62. SPIRAL MODULE ASSEMBLY .....  | 116  |
| 64. DOOR ASSEMBLY - REFRIGERATED FOOD MODULE .....  | 118  |
| 65. LEFT HAND DRIVE ARM ASSEMBLY .....  | 120  |
| 66. RIGHT HAND DRIVE ARM ASSEMBLY .....   | 122  |
| 67. MOTOR MOUNTING BRACKET ASSEMBLY .....   | 124  |
| 68. FROZEN FOOD MODULE AND HOUSING ASSEMBLY .....   | 126  |
| 69. MAJOR COMPONENTS - FROZEN FOOD MODULE .....   | 128  |
| 70. DOOR ASSEMBLY - FROZEN FOOD MODULE .....  | 130  |
| 71. HOT DRINK MODULE (MODELS 785 AND 788) .....   | 132  |
| 72. HOT DRINK MODULE (MODELS 786 AND 789) .....   | 134  |
| 73. FRESH BREW COFFEE SHELF ASSEMBLY .....  | 136  |
| 74. FRESH BREW CHOCOLATE SHELF ASSEMBLY .....   | 138  |
| 75. CHOCOLATE/FREEZE DRY COFFEE SHELF ASSEMBLY (PART 1 OF 2) .....                                  | 140  |
| 76. CHOCOLATE/FREEZE DRY COFFEE SHELF ASSEMBLY (PART 2 OF 2)<br>(786/789 WITH WHIPPED COFFEE) ..... | 142  |
| 77. SUGAR/LIGHTENER DISPENSING SYSTEM (785/788 WITHOUT COFFEE WHIPPER) .....                        | 144  |
| 78. SUGAR AND LIGHTENER DISPENSING SYSTEM (785/788 WITH COFFEE WHIPPER) .....                       | 146  |
| 79. SUGAR/LIGHTENER DISPENSING SYSTEM (786/789) .....   | 148  |
| 80. DRY INGREDIENT (SUGAR/LIGHTENER) SHELF ASSEMBLY .....   | 150  |
| 81. FRESH BREW COFFEE CANISTER ASSEMBLY .....   | 152  |
| 82. FREEZE DRY CANISTER ASSEMBLY (786 ONLY) .....   | 154  |
| 83. CHOCOLATE CANISTER ASSEMBLY .....   | 156  |
| 84. SUGAR CANISTER ASSEMBLY .....   | 158  |
| 85. LIGHTENER CANISTER ASSEMBLY .....   | 160  |
| 86. BLOWER AND MOUNTING ASSEMBLY .....  | 162  |
| 87. BREWER DRIVE ASSEMBLY .....   | 164  |
| 88. BREWER ASSEMBLY - NO FILTER .....   | 166  |
| 89. BREWER BASKET ASSEMBLY .....  | 170  |
| 90. BASKET LEVER ASSEMBLY .....   | 172  |
| 91. FUNNEL ASSEMBLY .....   | 174  |
| 92. BREWER BARREL ASSEMBLY .....  | 176  |
| 93. OVERFLOW SWITCH ASSEMBLY .....  | 178  |
| 94. CUP TURRET ASSEMBLY .....   | 180  |
| 95. CUP DISPENSER ASSEMBLY .....  | 182  |
| 96. CUP STATION ASSEMBLY .....  | 186  |
| 97. COVER AND PCB ASSEMBLY .....  | 188  |
| 98. WATER INLET ASSEMBLY - NO FILTER OPTION/EVERPURE OPTION .....                                   | 190  |
| 99. WATER INLET ASSEMBLY - HYDROLIFE OPTION .....   | 192  |
| 100. WATER TANK ASSEMBLY .....  | 194  |
| 101. WATER TANK LID ASSEMBLY .....  | 196  |
| 102. VALVE ASSEMBLY - HOT WATER TANK .....  | 198  |
| 103. BRACKET AND AIR PRESSURE CONTROL ASSEMBLY .....  | 200  |
| 105. WIRING DIAGRAM - POWER PANELS .....  | 202  |
| 106. WIRING DIAGRAM - 6-TRAY MACHINE .....  | 204  |
| 107. WIRING DIAGRAM - 3-TRAY MACHINE .....  | 206  |
| 108. WIRING DIAGRAM - CAN MODULE .....  | 208  |
| 109. WIRING DIAGRAM - HOT DRINK SECTION .....   | 210  |
| 110. WIRING DIAGRAM - SNACK WITH REFRIGERATED FOOD MODULE .....                                     | 212  |
| 111. WIRING DIAGRAM - SNACK WITH FROZEN FOOD MODULE .....   | 214  |
| 114. ACCESSORIES (DOOR LOCK GUARD) .....  | 217  |
| 115. ACCESSORIES (HARNESSES) .....  | 218  |



## LIST OF TABLES

| TABLE | PAGE   |
|-------|--|
| 2.    | COMMON CABINET (PART 1 OF 2) ..... 3   |
| 3.    | COMMON CABINET (PART 2 OF 2) ..... 5   |
| 4.    | COVER AND AIR DUCT ASSEMBLY ..... 5  |
| 5.    | MISCELLANEOUS CABINET INSULATION ..... 5   |
| 6.    | POWER PANEL ASSEMBLY - MODELS 788, 789 (U.K.) ..... 7  |
| 7.    | POWER PANEL ASSEMBLY - MODELS 788, 789 (FRANCE & GERMANY) ..... 9  |
| 8.    | POWER PANEL ASSEMBLY - MODELS 785, 786 (U.S.) ..... 11   |
| 9.    | MONETARY PANEL ASSEMBLY (PART 1 OF 4) ..... 13   |
| 10.   | MONETARY PANEL ASSEMBLY (PART 2 OF 4) ..... 15   |
| 11.   | MONETARY PANEL ASSEMBLY (PART 3 OF 4) ..... 17   |
| 12.   | MONETARY PANEL ASSEMBLY (PART 4 OF 4) - MILLENNIA STYLING ..... 19                                       |
| 15.   | CARD READER AND BILL VALIDATOR COMBINATIONS ..... 23   |
| 15 A  | MONETARY LOCATION OPTIONS ..... 23   |
| 15 B  | BILL VALIDATOR OPTIONS ..... 24  |
| 15 C  | CARD READER OPTIONS ..... 24   |
| 15 D  | COIN MECHANISM OPTIONS ..... 25  |
| 16.   | CANDY TRAY ASSEMBLY (PART 1 OF 2) ..... 27   |
| 17.   | CANDY TRAY ASSEMBLY (PART 2 OF 2) ..... 29   |
| 18.   | SNACK TRAY ASSEMBLY (PART 1 OF 2) ..... 31   |
| 19.   | SNACK TRAY ASSEMBLY (PART 2 OF 2) ..... 33   |
| 20.   | GUM AND MINT TRAY ASSEMBLY (PART 1 OF 2) ..... 35  |
| 21.   | GUM AND MINT TRAY ASSEMBLY (PART 2 OF 2) ..... 37  |
| 22.   | SPIRAL OPTIONS ..... 37  |
| 23.   | PRICE ROLLS FOR TRAYS ..... 37   |
| 24.   | BASE PLATE ASSEMBLY ..... 39   |
| 25.   | DOOR ASSEMBLY ..... 41   |
| 26.   | DOOR GLASS AND GLASS RETAINING COMPONENTS (MILLENNIA STYLING) ..... 45                                   |
| 27.   | HORIZONTAL TRIM AND GLASS CHANNEL ASSEMBLY (MILLENNIA STYLING) ..... 47                                  |
| 28.   | COMMON TRIM AND PANEL COMPONENTS - STANDARD STYLING ..... 49   |
| 28 A  | TOP TRIM PANEL (INDEX #5) ..... 50   |
| 28 B  | RIGHT SIDE TRIM PANEL (INDEX #9) ..... 51  |
| 28 C  | BOTTOM TRIM PANEL (INDEX #11) ..... 52   |
| 28 D  | LEFT SIDE TRIM PANEL (INDEX #14) ..... 53  |
| 29.   | COMMON TRIM AND PANEL COMPONENTS - MILLENNIA STYLING (PART 1 OF 2) ..... 55                              |
| 30.   | COMMON TRIM AND PANEL COMPONENTS - MILLENNIA STYLING (PART 2 OF 2) ..... 57                              |
| 31.   | COIN RECEPTACLE ASSEMBLIES ..... 59  |
| 32.   | LIGHT ASSEMBLY - UPPER DOOR ..... 61   |
| 33.   | FLUORESCENT SIDE LIGHT ASSEMBLY ..... 63   |
| 34.   | DOOR LOCK AND HANDLE ASSEMBLY (STANDARD STYLING) ..... 65  |
| 35.   | DOOR LOCK AND HANDLE ASSEMBLY (MILLENNIA STYLING) ..... 67   |
| 36.   | GUM AND MINT ASSEMBLY ..... 69   |
| 37.   | DELIVERY PAN ASSEMBLY ..... 73   |
| 38.   | DELIVERY PAN ASSEMBLY DOOR LOCK MECHANISM - PART 1 OF 2<br>(FOOD MODULE EQUIPPED MACHINES ONLY) ..... 75 |
| 39.   | DELIVERY PAN ASSEMBLY DOOR LOCK MECHANISM - PART 2 OF 2<br>(FOOD MODULE EQUIPPED MACHINES ONLY) ..... 77 |
| 40.   | LEG, LEVELER, AND LEG AND HINGE ASSEMBLIES ..... 79  |
| 41.   | BAG ASSEMBLY B4840001 (110 V MODELS 785 & 786 WITH CAN) ..... 80   |
| 42.   | BAG ASSEMBLY B4850008 (100 V MODELS 785 & 786 WITH FOOD) ..... 81  |
| 43.   | BAG ASSEMBLY B4850001 (MODELS 785 & 786 WITH NO FOOD OR CAN OPTION) ..... 82                             |
| 44.   | BAG ASSEMBLY B4880007 (U.K. MODELS 788 & 789) ..... 83   |



| TABLE   | PAGE |
|---|------|
| 45. BAG ASSEMBLY B4880010 (FRENCH & GERMAN MODELS 788 & 789) .....                                  | 84   |
| 46. BAG ASSEMBLY B4880008 (U.K. MODELS 788 & 789 WITH FOOD) .....                                   | 85   |
| 47. BAG ASSEMBLY B4880009 (FRENCH & GERMAN MODELS 788 & 789 WITH FOOD) .....                        | 86   |
| 48. CAN AND REFRIGERATION MODULE .....  | 89   |
| 49. MOTOR AND EJECTOR MOUNTING CHANNEL ASSEMBLY .....   | 91   |
| 50. CAN UNIT FRAME ASSEMBLY .....   | 93   |
| 51. CAN COMPARTMENT ASSEMBLY .....  | 95   |
| 52. REFRIGERATION MODULE ASSEMBLY - CHILLED SNACK - NO FOOD/NO CAN<br>(MODELS 788, 789) .....       | 97   |
| 53. REFRIGERATED FOOD MODULE AND HOUSING ASSEMBLY .....   | 99   |
| 54. MAJOR COMPONENTS - REFRIGERATED FOOD MODULE .....   | 101  |
| 55. REFRIGERATION UNIT COMPONENTS .....   | 103  |
| 56. REFRIGERATED AND FROZEN FOOD MODULE DOOR FRAME ASSEMBLY .....                                   | 105  |
| 57. REFRIGERATED AND FROZEN FOOD MODULE - INTERIOR VIEW (PART 1 OF 2) .....                         | 107  |
| 58. REFRIGERATED AND FROZEN FOOD MODULE - INTERIOR VIEW (PART 2 OF 2) .....                         | 109  |
| 59. GENERAL TRAY ASSEMBLIES - REFRIGERATED AND FROZEN FOOD MODULE .....                             | 111  |
| 60. PUSHER MODULE ASSEMBLY .....  | 113  |
| 61. BELT MODULE ASSEMBLY .....  | 115  |
| 62. SPIRAL MODULE ASSEMBLY .....  | 117  |
| 63. SPIRAL OPTIONS (FOR REFRIGERATED / FROZEN FOOD TRAYS) .....                                     | 117  |
| 64. DOOR ASSEMBLY - REFRIGERATED FOOD MODULE .....  | 119  |
| 65. LEFT HAND DRIVE ARM ASSEMBLY .....  | 121  |
| 66. RIGHT HAND DRIVE ARM ASSEMBLY .....   | 123  |
| 67. MOTOR MOUNTING BRACKET ASSEMBLY .....   | 125  |
| 68. FROZEN FOOD MODULE AND HOUSING ASSEMBLY .....   | 127  |
| 69. MAJOR COMPONENTS - FROZEN FOOD MODULE .....   | 129  |
| 70. DOOR ASSEMBLY - FROZEN FOOD MODULE .....  | 131  |
| 71. HOT DRINK MODULE (MODELS 785 AND 788) .....   | 133  |
| 72. HOT DRINK MODULE (MODELS 786 AND 789) .....   | 135  |
| 73. FRESH BREW COFFEE SHELF ASSEMBLY .....  | 137  |
| 74. FRESH BREW CHOCOLATE SHELF ASSEMBLY .....   | 139  |
| 75. CHOCOLATE/FREEZE DRY COFFEE SHELF ASSEMBLY (PART 1 OF 2) .....                                  | 141  |
| 76. CHOCOLATE/FREEZE DRY COFFEE SHELF ASSEMBLY (PART 2 OF 2)<br>(786/789 WITH WHIPPED COFFEE) ..... | 143  |
| 77. SUGAR/LIGHTENER DISPENSING SYSTEM (785/788 WITHOUT COFFEE WHIPPER) .....                        | 145  |
| 78. SUGAR AND LIGHTENER DISPENSING SYSTEM (785/788 WITH COFFEE WHIPPER) .....                       | 147  |
| 79. SUGAR/LIGHTENER DISPENSING SYSTEM (786/789) .....   | 149  |
| 80. DRY INGREDIENT (SUGAR/LIGHTENER) SHELF ASSEMBLY .....   | 151  |
| 81. FRESH BREW COFFEE CANISTER ASSEMBLY .....   | 153  |
| 82. FREEZE DRY CANISTER ASSEMBLY (786 ONLY) .....   | 155  |
| 83. CHOCOLATE CANISTER ASSEMBLY .....   | 157  |
| 84. SUGAR CANISTER ASSEMBLY .....   | 159  |
| 85. LIGHTENER CANISTER ASSEMBLY .....   | 161  |
| 86. BLOWER AND MOUNTING ASSEMBLY .....  | 163  |
| 87. BREWER DRIVE ASSEMBLY .....   | 165  |
| 88. BREWER ASSEMBLY - NO FILTER .....   | 167  |
| 89. BREWER BASKET ASSEMBLY .....  | 171  |
| 90. BASKET LEVER ASSEMBLY .....   | 173  |
| 91. FUNNEL ASSEMBLY .....   | 175  |
| 92. BREWER BARREL ASSEMBLY .....  | 177  |
| 93. OVERFLOW SWITCH ASSEMBLY .....  | 179  |
| 94. CUP TURRET ASSEMBLY .....   | 181  |

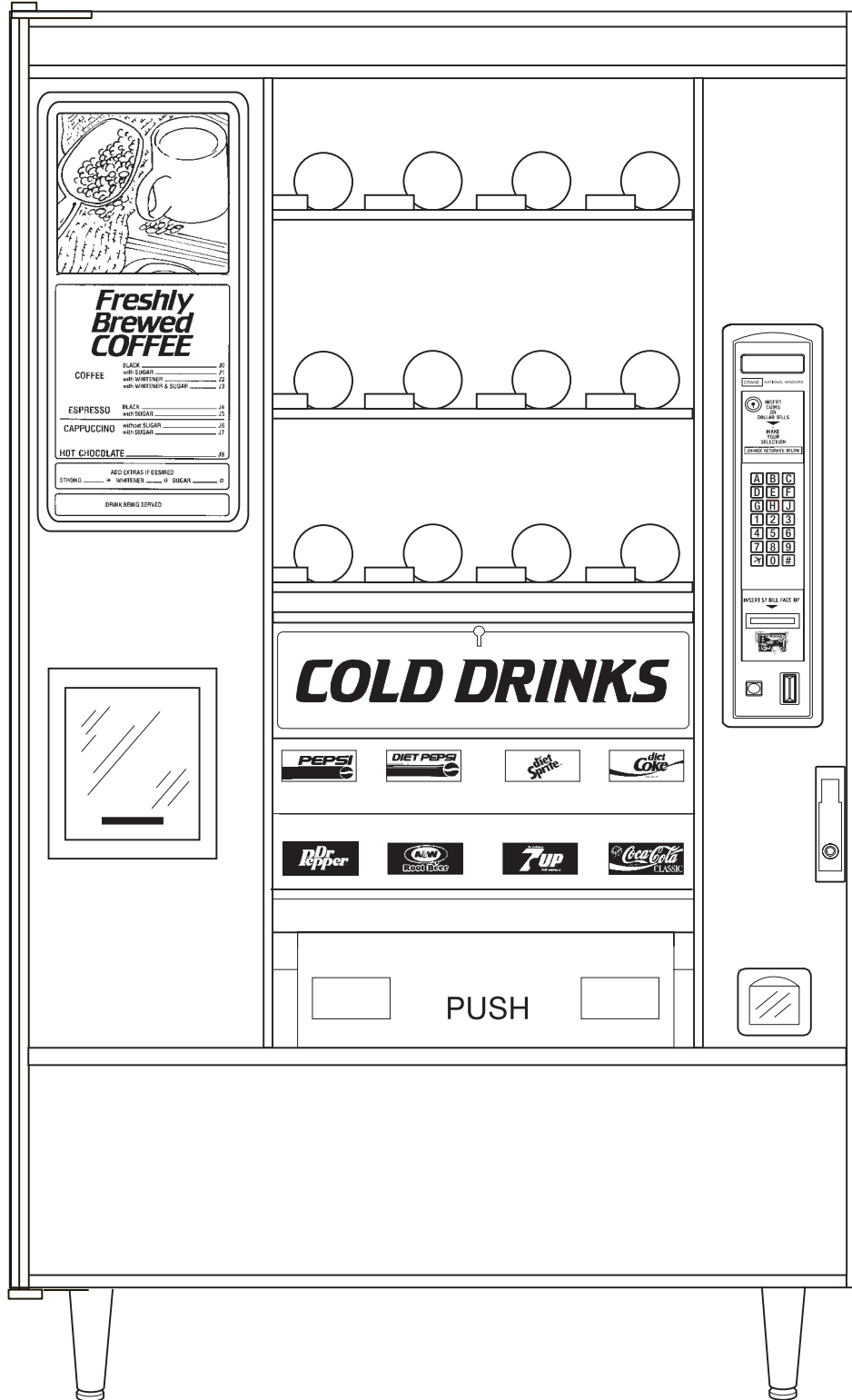


# Expanded Refreshment Center Parts Manual

| TABLE   | PAGE |
|---|------|
| 95. CUP DISPENSER ASSEMBLY .....                                  | 183  |
| 96. CUP STATION ASSEMBLY .....                                    | 187  |
| 97. COVER AND PCB ASSEMBLY .....                                  | 189  |
| 98. WATER INLET ASSEMBLY - NO FILTER OPTION/EVERPURE OPTION ..... | 191  |
| 99. WATER INLET ASSEMBLY - HYDROLIFE OPTION .....                 | 193  |
| 100. WATER TANK ASSEMBLY .....                                    | 195  |
| 101. WATER TANK LID ASSEMBLY .....                                | 197  |
| 102. VALVE ASSEMBLY - HOT WATER TANK .....                        | 199  |
| 103. BRACKET AND AIR PRESSURE CONTROL ASSEMBLY .....              | 201  |
| 104. POWER CORDS .....  | 201  |
| 105. WIRING DIAGRAM - POWER PANELS .....                          | 203  |
| 106. WIRING DIAGRAM - 6-TRAY MACHINE .....                        | 205  |
| 107. WIRING DIAGRAM - 3-TRAY MACHINE .....                        | 207  |
| 108. WIRING DIAGRAM - CAN MODULE .....                            | 209  |
| 109. WIRING DIAGRAM - HOT DRINK SECTION .....                     | 211  |
| 110. WIRING DIAGRAM - SNACK WITH REFRIGERATED FOOD MODULE .....   | 213  |
| 111. WIRING DIAGRAM - SNACK WITH FROZEN FOOD MODULE .....         | 215  |
| 112. TUBING .....   | 216  |
| 113. MONEY BOX LOCK ACCESSORY .....                               | 216  |
| 114. ACCESSORIES (DOOR LOCK GUARD) .....                          | 217  |







157p0290

Figure 1. 785/786/788/789 Merchandiser

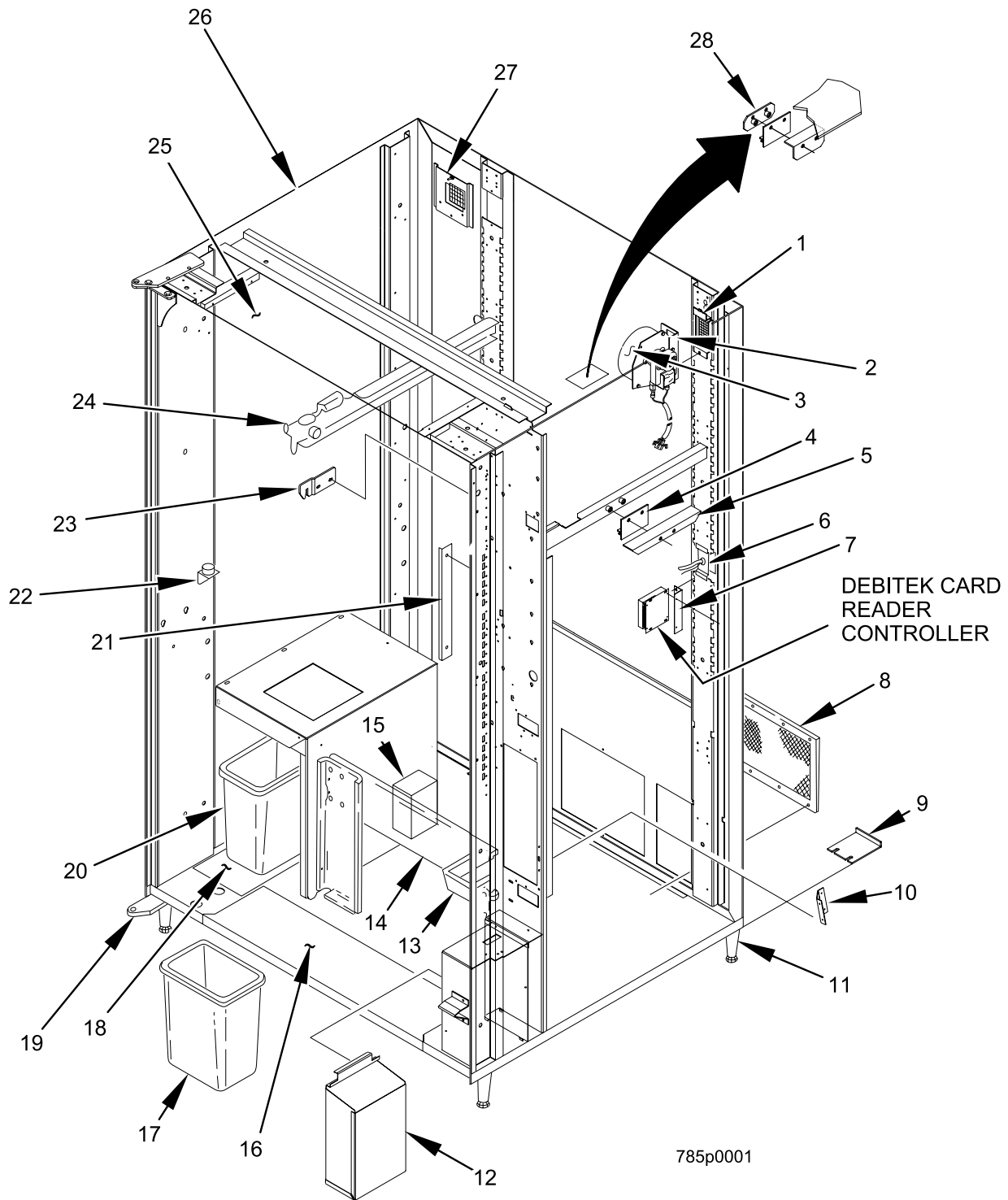
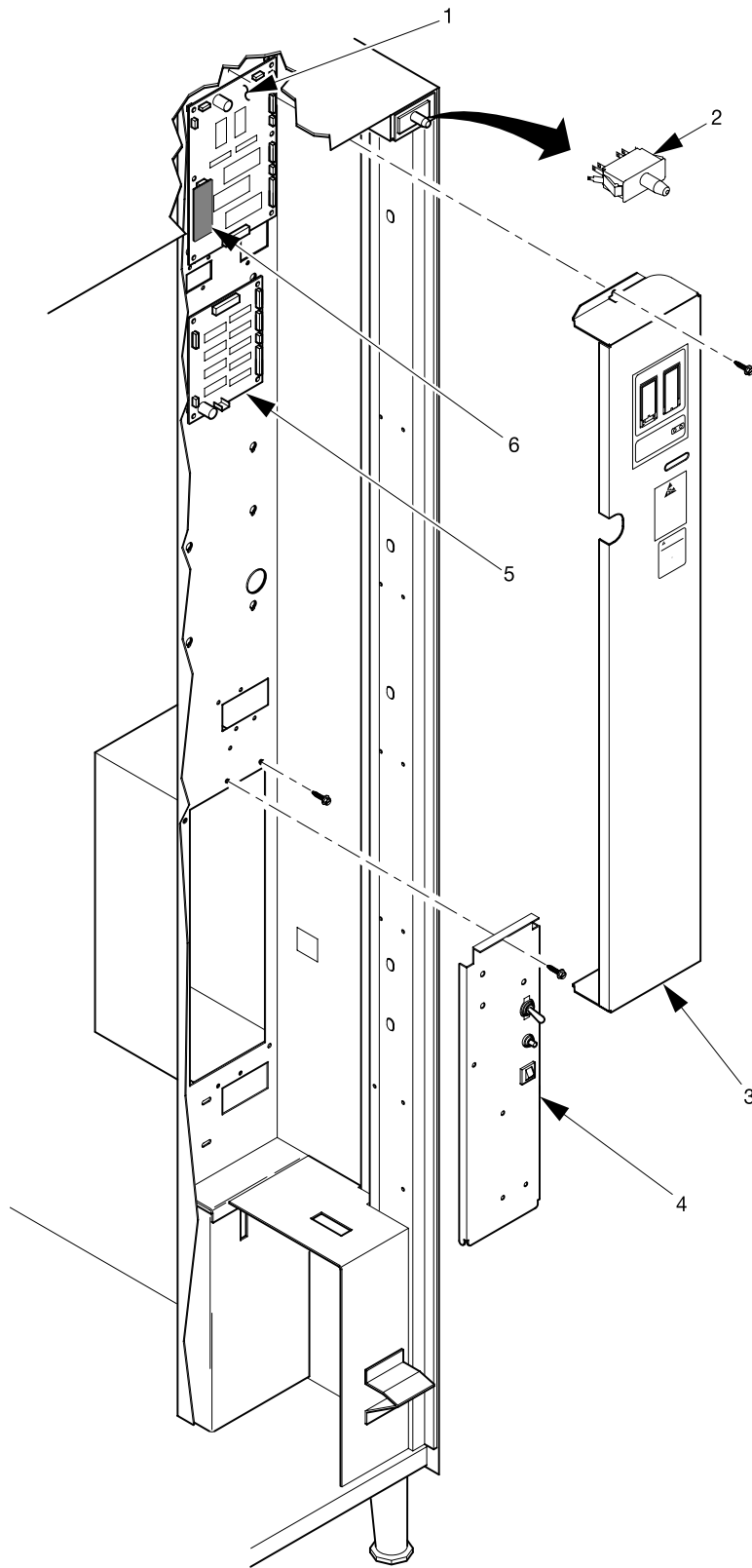


Figure 2. Common Cabinet (Part 1 of 2)

## Refreshment Center 3 Parts Manual

**TABLE 2. COMMON CABINET (PART 1 OF 2)**

| INDEX | PART NUMBER | DESCRIPTION  | QTY  |
|-------|-------------|--|------|
| 1     | 1471054     | BRACKET & SCREEN ASSEMBLY - EXHAUST                                  | 1    |
|       | 1471090     | COVER - FAN HOLE (NO FAN OPTION ONLY)                                | OPT  |
| 2     | 1471398     | BRACKET - EXHAUST FAN  | 1    |
| 3     | 6231548     | BLOWER ASSEMBLY - 120V   | 1    |
|       | 6401088     | BLOWER ASSEMBLY - 230V   |      |
| 4     | 1596012     | PCB ASSEMBLY - TRAY  | 1    |
| 5     | 1571229     | SHIELD - TRAY RAIL/PCB   | OPT. |
| 6     | 4751203     | BRACKET-MTG-POWER CORD   | 1    |
| 7     | 1575050     | BRACKET - DEBITEK CONTROLLER   | OPT. |
| 8     | 1581067     | PLATE - CABINET BACK (USED WITH NO REFRIGERATION OPTION)             | OPT. |
|       | 4521021     | SCREEN ASSEMBLY - VENT   |      |
| 9     | 4741065     | STANDOFF - MACHINE CABINET   | 2    |
| 10    | 4851038     | GUSSET - CHANNEL BRACE (6 TRAY ONLY)                                 | 1    |
| 11    | 1471237     | LEG & LEVELER ASSEMBLY - CABINET (SEE FIGURE 42 FOR DETAILS)         | 3    |
| 12    | 1571029     | MONEY BOX ASSEMBLY   | 1    |
| 13    | 6231242     | CHUTE - PAYOUT   | 1    |
| 14    | 4851036     | BRACE ASSEMBLY - CHANNEL (6 TRAY ONLY)                               | 1    |
| 15    | 4851053     | TRANSFORMER & COVER ASSEMBLY (788, 789 CHILLED W/NO FOOD/CAN OPTION) | 1    |
| 16    | 4971042     | BASE FILLER ASSEMBLY - N.V. BLACK                                    | 1    |
|       | 4971044     | BASE FILLER ASSEMBLY - MILL. GRAY                                    |      |
| 17    | 4751162     | PAIL - 8.5" SQ X 13.0"   | 1    |
| 18    | 4851033     | BASE - BUCKET  | 1    |
| 19    | 6231163     | LEG, HINGE & LEVELER ASSEMBLY (SEE FIGURE 42 FOR DETAILS)            | 1    |
| 20    | 7851005     | GROUNDS BUCKET - SHORT   | 1    |
| 21    | 1571022     | STOP - MONETARY PANEL  | 1    |
| 22    | 4751050     | BRACKET - PRESSURE GAUGE   | 1    |
| 23    | 1571074     | LOCK ARM - CABINET   | 2    |
| 24    | 1571181     | TRAY GUIDE RAIL ASSEMBLY - LEFT HAND (ALL TRAYS)                     | *    |
| 25    | 4971041     | TOP FILLER ASSEMBLY - N.V. BLACK                                     | 1    |
|       | 4971043     | TOP FILLER ASSEMBLY - MILL. GRAY                                     |      |
| 26    | 4851093     | CABINET WELD ASSEMBLY - N.V. BLACK                                   | 1    |
|       | 4851094     | CABINET WELD ASSEMBLY - MILL. GRAY                                   |      |
| 27    | 6131041     | SCREEN ASSEMBLY - CABINET BACK                                       | 1    |
| 28    | 1571175     | PLATE - PCB RAIL - MOUNTING  | 1    |
| -     | 1571235     | TRAY GUIDE RAIL/PCB ASSEMBLY - RIGHT HAND (NOT SHOWN)                | OPT. |
| -     | 1571236     | TRAY GUIDE RAIL ASSEMBLY - RIGHT HAND (TOP TRAY) (NOT SHOWN)         | 1    |



785p0007

Figure 3. Common Cabinet (Part 2 of 2)



# Refreshment Center 3 Parts Manual

**TABLE 3. COMMON CABINET (PART 2 OF 2)**

| INDEX | PART NUMBER | DESCRIPTION   | QTY |
|-------|-------------|---|-----|
| 1     | 1586017     | MAIN CONTROLLER WITH EPROM  | 1   |
| 2     | 1211141     | SWITCH INTERLOCK (115V MACHINES)                                      | 1   |
|       | 2366135     | SWITCH INTERLOCK (230V MACHINES)                                      |     |
| 3     | 1571112     | COVER - CONTROL/INTERFACE PCB   | 1   |
| 4     | -           | POWER PANEL ASSEMBLY  | 1   |
| 5     | 1576008     | PCB ASSEMBLY - SNACK INTERFACE  | 1   |
| 6     | 9989687     | PCB ASSEMBLY - EXECUTIVE INTERFACE (USED WITH EXEC COIN MECH. OPTION) | 1   |
| -     | 9989687     | PCB ASSEMBLY - EXECUTIVE INTERFACE (AUSTRALIA) (NOT SHOWN)            | 1   |

**TABLE 4. COVER AND AIR DUCT ASSEMBLY**

| PART NUMBER | DESCRIPTION  | QTY |
|-------------|--|-----|
| 4611007     | SHUTTER - AIR DUCT   | 12  |
| 4641025     | COVER - AIR DUCT - BLACK   | 2   |
| 4614126     | GASKET - AIR DUCT  | 2   |
| 4641054     | INSULATION - AIR DUCT RIGHT HAND SIDE - BLACK (INTERNATIONAL MODELS) | 1   |
| 4641078     | INSULATION - AIR DUCT RIGHT HAND SIDE - WHITE (U.S. MODELS)          |     |

**TABLE 5. MISCELLANEOUS CABINET INSULATION**

| PART NUMBER | DESCRIPTION  |
|-------------|--|
| 4614118     | INSULATION - REFRIG. HOUSING - TOP (MODELS 788/789)      |
| 4747020     | INSULATION - SIDE (MODELS 788/789)                       |
| 4747022     | INSULATION - TOP (MODELS 788/789)                        |
| 4747024     | INSULATION - BOTTOM (MODELS 788/789)                     |
| 4747040     | INSULATION - FRONT SEAL (MODELS 788/789)                 |
| 4747041     | INSULATION - REAR SEAL (MODELS 788/789)                  |
| 4747063     | INSULATION - SIDE SEAL (MODELS 788/789)                  |
| 4747170     | INSULATION - BACK (MODELS 788/789)                       |
| 4881009     | INSULATION - BLACK - LEFT SIDE - BOTTOM (MODELS 788/789) |
| 4881035     | INSULATION - BLACK - LEFT SIDE - TOP (MODELS 788/789)    |
| 4881037     | INSULATION - CABINET TOP - 32" - BLACK (MODELS 788/789)  |
| 4311067     | INSULATION BLOCK - BOTTOM/RIGHT (MODEL 785)              |

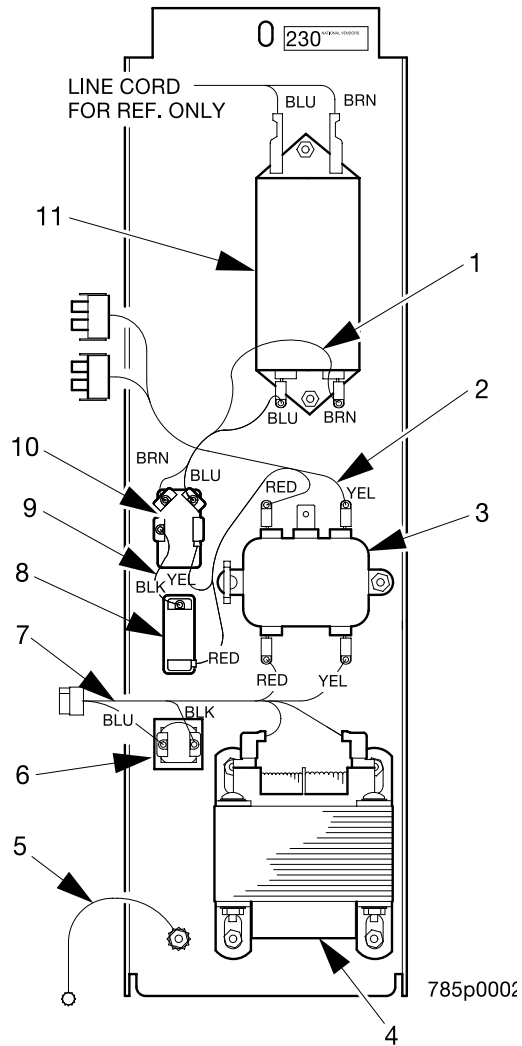


Figure 6. Power Panel Assembly - Models 788, 789 (U.K.)



## Refreshment Center 3 Parts Manual

TABLE 6. POWER PANEL ASSEMBLY - MODELS 788, 789 (U.K.)

| INDEX | PART NUMBER | DESCRIPTION                                | QTY |
|-------|-------------|--|-----|
| -     | 4521020     | POWER PANEL ASSEMBLY - U.K. - 230V         | REF |
| 1     | 1709002     | JUMPER - MAIN LINE FILTER                  | 1   |
| 2     | 1709000     | HARNESS - POWER PANEL - FOREIGN            | 1   |
| 3     | 9989100     | INTERFERENCE FILTER                        | 1   |
| 4     | 9989046     | TRANSFORMER - 24V - DUAL PIR. - .187 TERM. | 1   |
| 5     | 9984165     | JUMPER - GROUND WIRE                       | 1   |
| 6     | 9989674     | CIRCUIT BREAKER - 4 AMP                    | 1   |
| 7     | 1709001     | JUMPER - TRANSFORMER - FOREIGN             | 1   |
| 8     | 9989672     | CIRCUIT BREAKER - 15 AMP                   | 1   |
| 9     | 1709006     | JUMPER - MAIN SWITCH TO BREAKER            | 1   |
| 10    | 9984629     | SWITCH - TOGGLE - DPST - 20 AMP            | 1   |
| 11    | 9989110     | FILTER - POWER LINE - EMI                  | 1   |

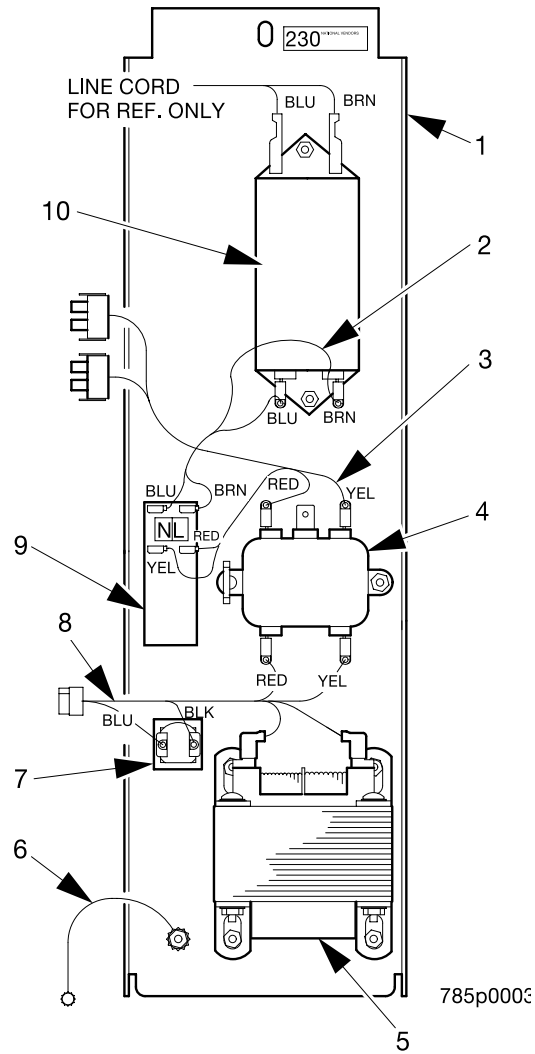


Figure 7. Power Panel Assembly - Models 788, 789 (France & Germany)





## Refreshment Center 3 Parts Manual

**TABLE 7. POWER PANEL ASSEMBLY - MODELS 788, 789 (FRANCE & GERMANY)**

| INDEX | PART NUMBER | DESCRIPTION                          | QTY |
|-------|-------------|--------------------------------------|-----|
| -     | 4521041     | POWER PANEL ASSEMBLY - 230V FR/GR    | 1   |
| 1     | 4521036     | PLATE - HOUSING - PANEL - FR/GER     | 1   |
| 2     | 1709002     | JUMPER - MAIN LINE FILTER            | 1   |
| 3     | 1709000     | HARNESS - POWER PANEL - FOREIGN      | 1   |
| 4     | 9989100     | INTERFERENCE FILTER                  | 1   |
| 5     | 9989046     | TRANSFORMER - DUAL PIR. - .187 TERM. | 1   |
| 6     | 9984165     | JUMPER - GROUND WIRE                 | 1   |
| 7     | 9989674     | CIRCUIT BREAKER - 4 AMP              | 1   |
| 8     | 1709001     | JUMPER - TRANSFORMER - FOREIGN       | 1   |
| 9     | 9984627     | CIRCUIT BREAKER - SWITCH - 16 AMP    | 1   |
| 10    | 9989110     | FILTER - POWER LINE - EMI            | 1   |





## Refreshment Center 3 Parts Manual

**TABLE 8. POWER PANEL ASSEMBLY - MODELS 785, 786 (U.S.)**

| INDEX | PART NUMBER | DESCRIPTION                          | QTY |
|-------|-------------|--------------------------------------|-----|
| -     | 4851034     | POWER PANEL ASSEMBLY - DOMESTIC      | 1   |
| 1     | 1571035     | STANDOFF - PCB - 3/8 SNAP LOCK       | 1   |
| 2     | 9989100     | INTERFERENCE FILTER                  | 1   |
| 3     | 1579017     | HARNESS - COIN HANDLING - POWER      | 1   |
| 4     | 1571040     | PLATE & STUD ASSEMBLY - POWER - DOM. | 1   |
| 5     | 9989042     | TRANSFORMER - 115V/230V PRI 24V SEC  | 1   |
| 6     | 9984165     | JUMPER - GROUND WIRE                 | 1   |
| 7     | 9989336     | CIRCUIT BREAKER - 3 AMP              | 1   |
| 8     | 9989673     | CIRCUIT BREAKER - 20 AMP             | 1   |
| 9     | 9984629     | SWITCH - TOGGLE - DPST - 20 AMP      | 1   |
| 10    | 1579013     | HARNESS - POWER PANEL - DOMESTIC     | 1   |
| 11    | 9989659     | PCB ASSEMBLY - DUMB MECH POWR SUPPLY | 1   |

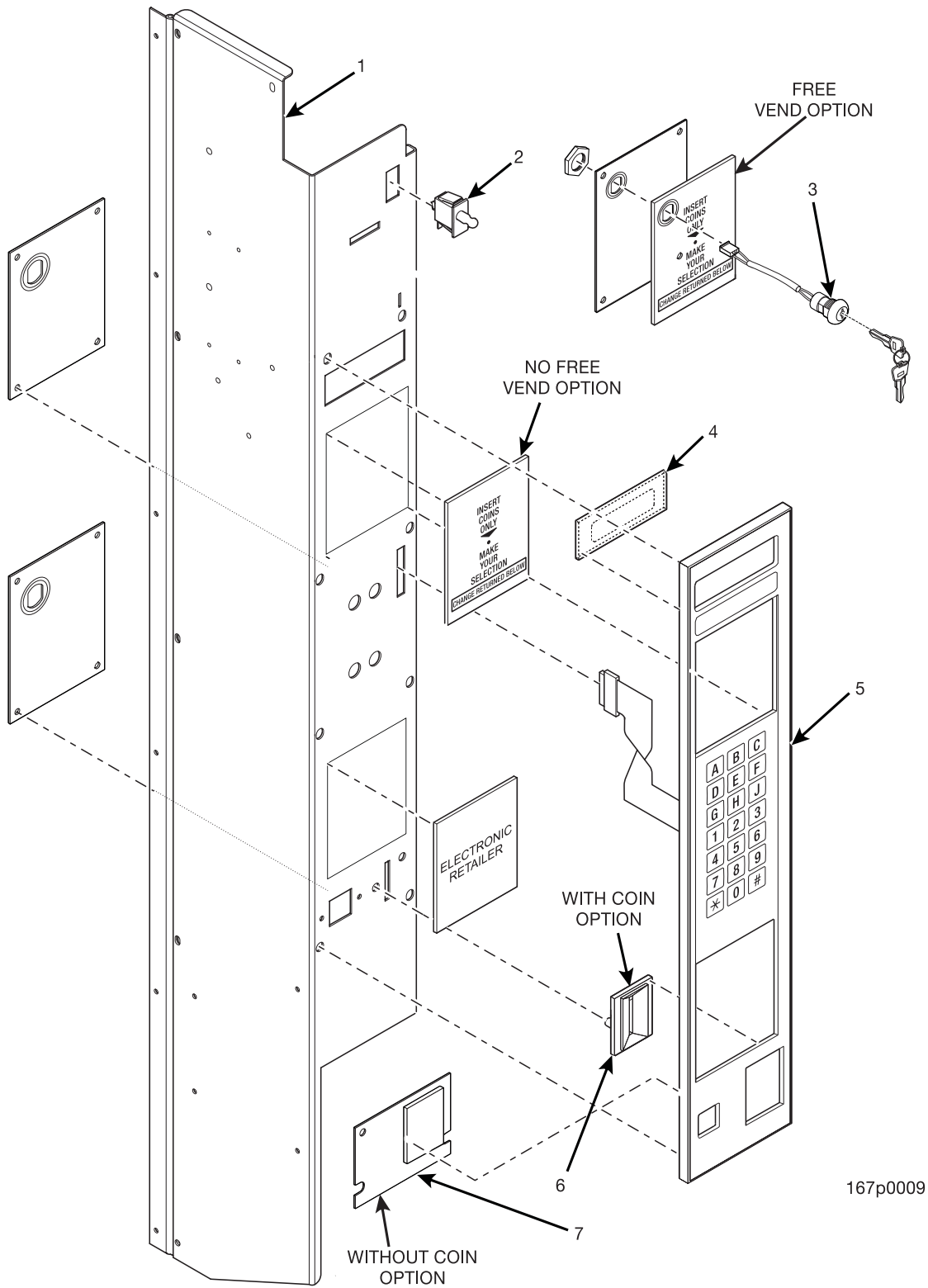


Figure 9. Monetary Panel Assembly (Part 1 of 4)



## Refreshment Center 3 Parts Manual

TABLE 9. MONETARY PANEL ASSEMBLY (PART 1 OF 4)

| INDEX | PART NUMBER | DESCRIPTION                                  | QTY |
|-------|-------------|--|-----|
| 1     | 1575094     | MONETARY PANEL WELD ASSEMBLY - NV BLACK      | 1   |
|       | 4875001     | MONETARY PANEL WELD ASSEMBLY - SELECTA WHITE |     |
| 2     | 1401110     | SWITCH - SERVICE                             | 1   |
| 3     | 9989639     | SWITCH ASSEMBLY - FREE VEND                  | 1   |
| 4     | 1572013     | LENS - DISPLAY                               | 1   |
| 5     | 1575098     | FACEPLATE ASSEMBLY (WITH COIN OPTION)        | 1   |
|       | 1575099     | FACEPLATE ASSEMBLY (NO COIN OPTION)          |     |
| 6     | 1472223     | COIN INSERT (WITH COIN OPTION)               | 1   |
|       | 1672001     | COIN INSERT (AUSTRALIA ONLY) (NOT SHOWN)     |     |
| 7     | -           | LOWER MONETARY POSITION                      | -   |

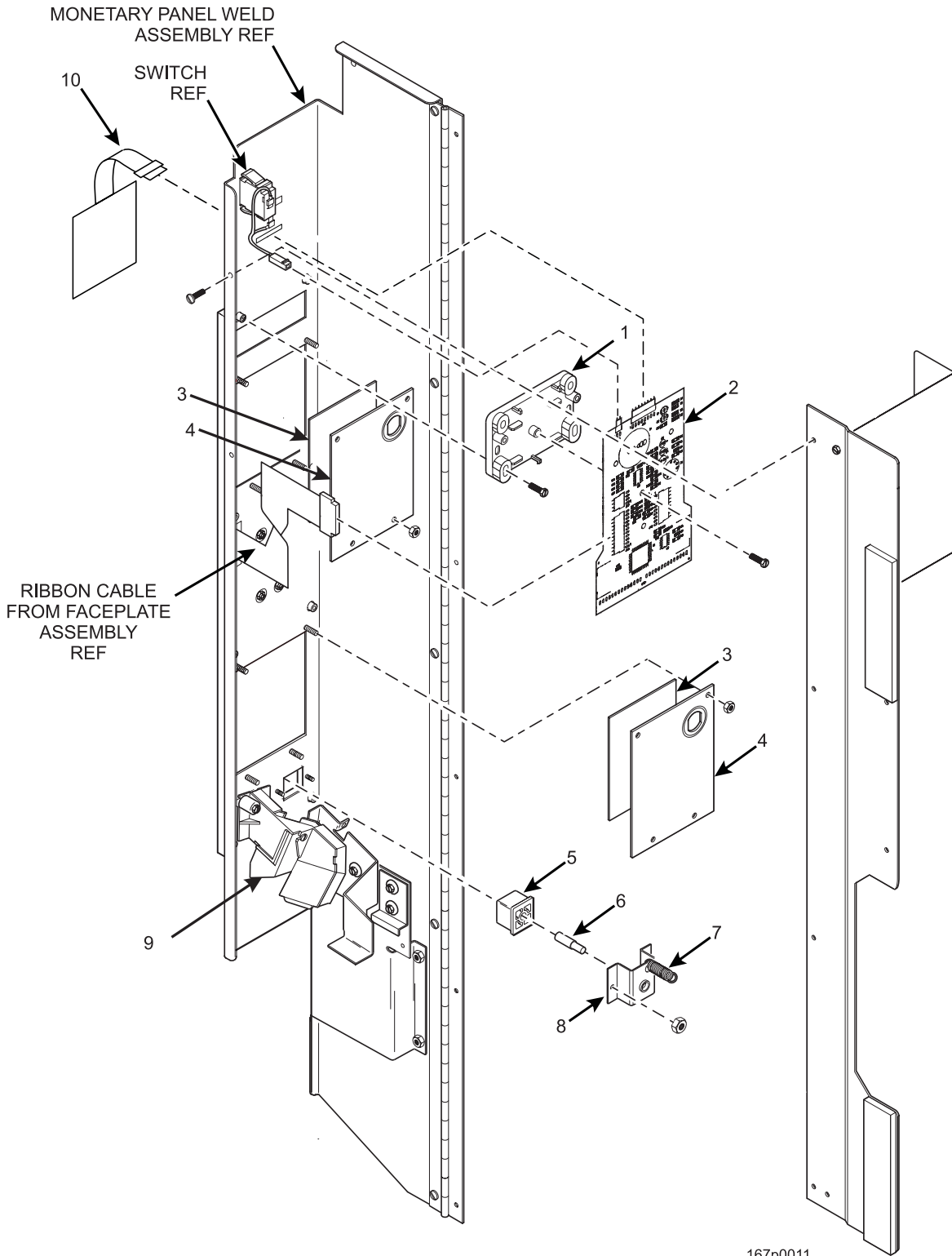
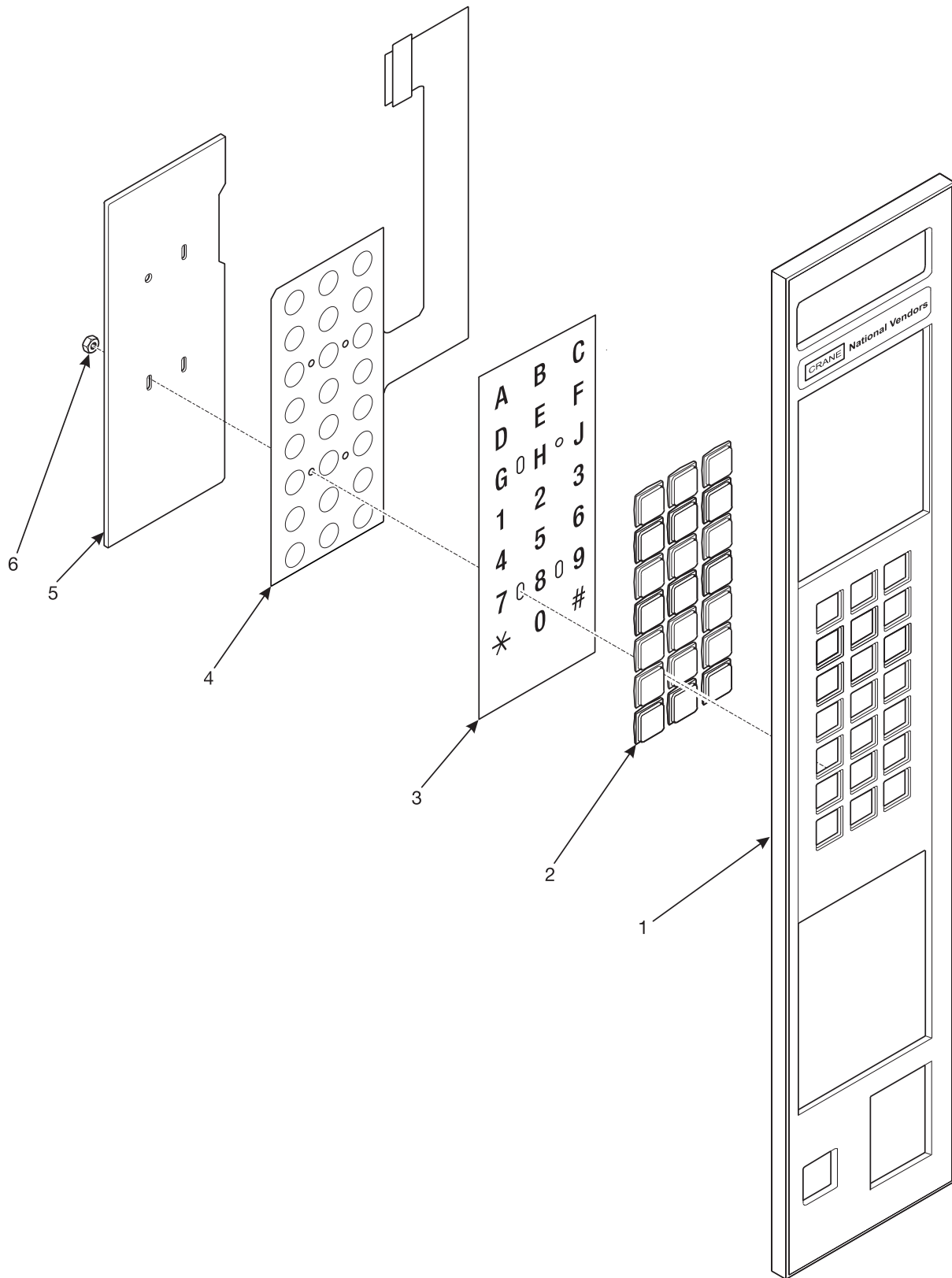


Figure 10. Monetary Panel Assembly (Part 2 of 4)

## Refreshment Center 3 Parts Manual

**TABLE 10. MONETARY PANEL ASSEMBLY (PART 2 OF 4)**

| INDEX | PART NUMBER | DESCRIPTION   | QTY  |
|-------|-------------|---|------|
| 1     | 1475099     | BRACKET - PCB DISPLAY   | 1    |
| 2     | 9989685     | PCB ASSEMBLY - DISPLAY  | 1    |
| 3     | 1575020     | INSERT - INSTR - BILLS - ENGLISH (WITH BILL VALIDATOR OPTION) (U.S.)  | 1    |
|       | 1575013     | INSERT - INSTR - COINS ONLY - ENG (U.K.)                              |      |
|       | 1575049     | INSERT - INSTR - LOWER - UK - COINS (U.K.)                            |      |
|       | 1572015     | INSERT - INSTRUCTIONS - FRENCH  |      |
|       | 1672027     | INSERT - INSTRUCTIONS - LOWER - EUROCOIN (W/NO BILL VALIDATOR OPTION) |      |
|       | 1572014     | INSERT - INSTRUCTIONS - GERMAN  |      |
|       | 1675003     | LOWER INSERT - INSTRUCTION - CHILE                                    |      |
| 4     | 1575048     | PLATE - INSERT BACKING  | OPT. |
| 5     | 1475026     | BUTTON - COIN RETURN  | 1    |
| 6     | 1475072     | SHAFT - RETURN BUTTON   | 1    |
| 7     | 1127808     | SPRING - SHELF RESET  | 1    |
| 8     | 1571079     | BRACKET - COIN RETURN BUTTON  | 1    |
| 9     | 1575003     | COIN CHUTE ASSEMBLY   | 1    |
| 10    | 6335002     | SERVICE KEYPAD ASSEMBLY   | 1    |



639p0075

Figure 11 Monetary Panel Assembly (Part 3 of 4)

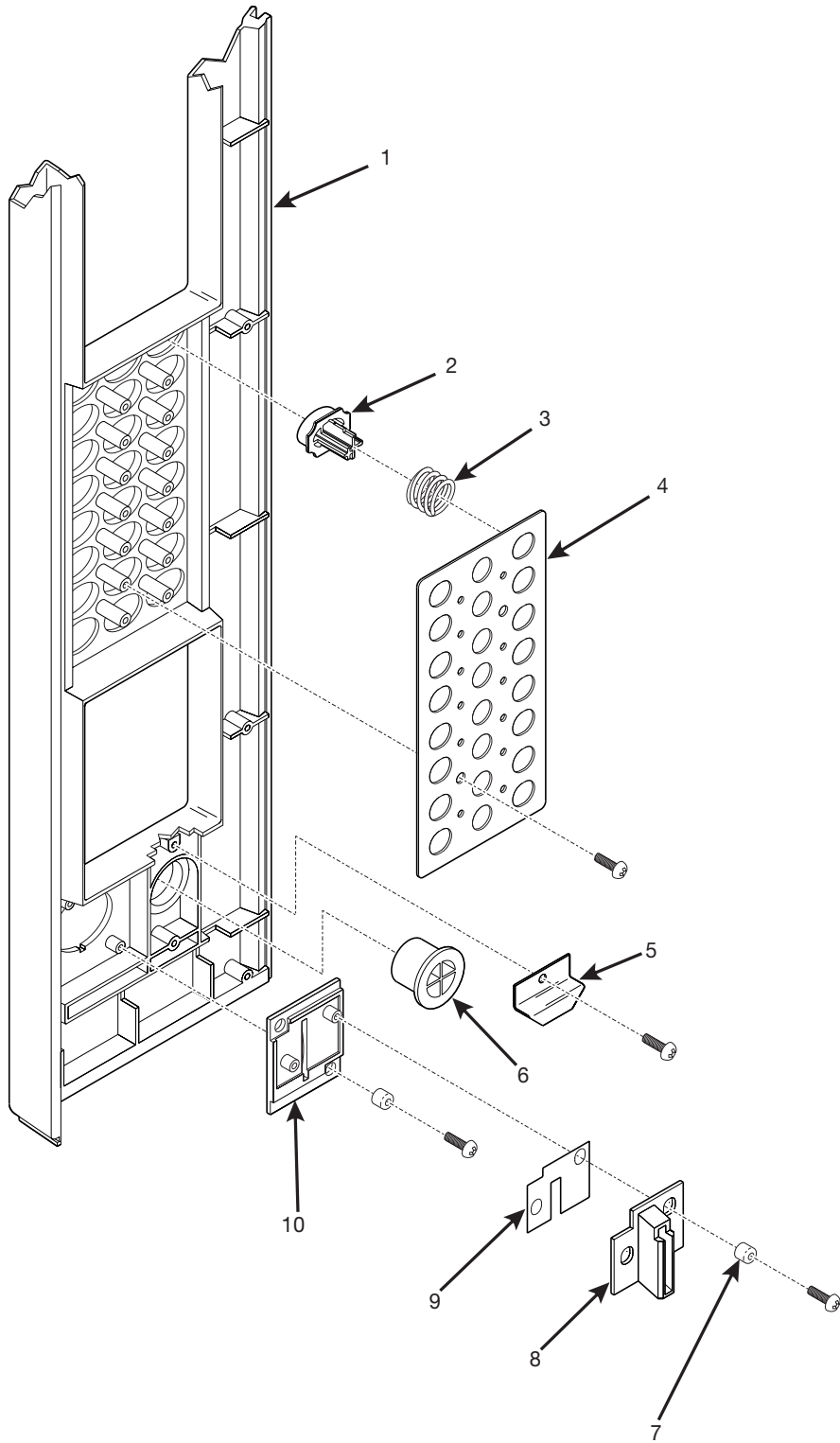




## Refreshment Center 3 Parts Manual

TABLE 11. MONETARY PANEL ASSEMBLY (PART 3 OF 4)

| INDEX | PART NUMBER | DESCRIPTION                          | QTY |
|-------|-------------|--------------------------------------|-----|
| -     | 1575098     | FACE PLATE ASSEMBLY - WITH COIN      | -   |
|       | 1575099     | FACEPLATE ASSEMBLY - NO COIN         |     |
| 1     | 1575001     | SELECTION PANEL (WITH COIN OPTION)   | 1   |
|       | 1575043     | FACE PLATE ASSEMBLY (NO COIN OPTION) |     |
| 2     | 1472251     | LENS - PUSHBUTTON                    | 21  |
| 3     | 1575010     | LETTER SHEET - SELECTION SWITCH      | 1   |
| 4     | 9984630     | MEMBRANE SWITCH ASSEMBLY -SELECT     | 1   |
| 5     | 1575091     | PLATE - SELECT SWITCH - BACK UP      | 1   |
| 6     | 1475089     | 1/8" NUT - SELF-THREADING            | 4   |



363p0230

Figure 12. Monetary Panel Assembly (Part 4 of 4) - Millennium Styling



## Refreshment Center 3 Parts Manual

TABLE 12. MONETARY PANEL ASSEMBLY (PART 4 OF 4) - MILLENNIA STYLING

| INDEX | PART NUMBER | DESCRIPTION                   | QTY. |
|-------|-------------|-------------------------------|------|
| 1     | 1572213     | R.H. TRIM - UPPER - "A21"     | 1    |
| 2     | 1572212     | ARRAY - PUSH BUTTON SELECTION | 1    |
| 3     | 1572224     | SPRING - PUSH BUTTON          | 2    |
| 4     | 1572223     | PLATE - STOP BUTTONS          | 1    |
| 5     | 1572292     | RETAINER - RETURN BUTTON      | 1    |
| 6     | 1572210     | COIN RETURN BUTTON - "A-2"    | 1    |
| 7     | 2302053     | SPACER CUP                    | 4    |
| 8     | 1572323     | EXTENSION - COIN INSERT       | 1    |
| 9     | 1472222     | COIN BLOCK                    | 1    |
| 10    | 1572209     | COIN INSERT - "A-1"           | 1    |



INSERT  
COINS  
ONLY  
▼  
MAKE  
YOUR  
SELECTION  
CHANGE RETURNED BELOW

COINS  
&  
BILLS:  
U.S.,  
CHINA,  
SAUDI  
ARABIA

1575012

INTRODUZCA  
MONEDAS O  
BILLETES  
▼  
HAGA SU  
SELECCIÓN  
CAMBIO DEVUELTO ABAJO

COINS  
&  
BILLS:  
SPANISH  
LANGUAGE

1575018

INSERT  
COINS  
ONLY  
▼  
MAKE  
YOUR  
SELECTION  
CHANGE RETURNED BELOW

COINS  
ONLY:  
U.S.,  
AUSTRALIA,  
NEW ZEALAND,  
U.K.,  
SINGAPORE

1575013

INSEREZ  
VOTRE  
MONNAIE  
•  
FAITES  
VOTRE  
CHOIX  
•  
RENDU MONNAIE  
CI-DESSOUS

COINS  
ONLY:  
FRANCE

1572015

låg mynt  
▼  
Välj produkt  
Växel i retur skål

COINS  
ONLY:  
SWEDEN

1575052

INTRODUCIR  
MONEDAS  
UNICAMENTE  
▼  
HAGA  
SU  
SELECCIONE  
Devolucion / Cambio  
En La Parte Inferior

COINS  
ONLY:  
SPANISH  
LANGUAGE

1575014

DEPOSITE  
EL  
DINERO  
•  
SELECCIONE  
EL  
PRODUCTO  
•  
RECOJA  
EL CAMBIO

COINS  
ONLY:  
LATIN  
AMERICA,  
ARGENTINA,  
MEXICO

1575015

GELD  
INWERPEN  
•  
MAAK  
UW  
KEUSE  
GELDTERUGGAVE HIERONDER

COINS  
ONLY:  
BELGIUM

1575082

ご利用方法  
1. 両料の機蓋を適して下さい。  
2. 両料を下の投入口から入れて  
下さい。  
3. 両料の両料機蓋のボタン  
（プルアップボタン）を  
押しして下さい。  
4. 下の機蓋を開けて両料を  
取り出して下さい。  
5. 両料・両料は下のコイン  
口から出て下さい。  
6. 両料は取り出して下さい。

COINS  
ONLY:  
JAPAN

1575066

AUTOMATEN  
VERKAUF  
0,10 0,50  
1 DM 2DM 5DM

COINS  
ONLY:  
GERMANY

1575038

INTRODUZCA  
BILLETES  
▼  
HAGA SU  
SELECCIÓN

BILLS  
ONLY:  
VENEZUELA

1575017

INSERT  
BILLS  
▼  
MAKE  
YOUR  
SELECTION

BILLS  
ONLY:  
KUWAIT

1575020

INSERT  
500 LIVRES  
OR  
1000 LIVRES  
NOTES ONLY  
▼  
MAKE  
YOUR  
SELECTION  
PLEASE USE EXACT AMOUNT ONLY

BILLS  
ONLY:  
LEBANON

1575021

INSTRUÇÕES  
INTRODUZA  
SOMENTE  
FICHAS

NO  
VALIDATOR;  
TOKENS:  
BRAZIL

1575016

497P0100

Figure 13. Monetary Inserts - Upper Position



# Refreshment Center 3 Parts Manual

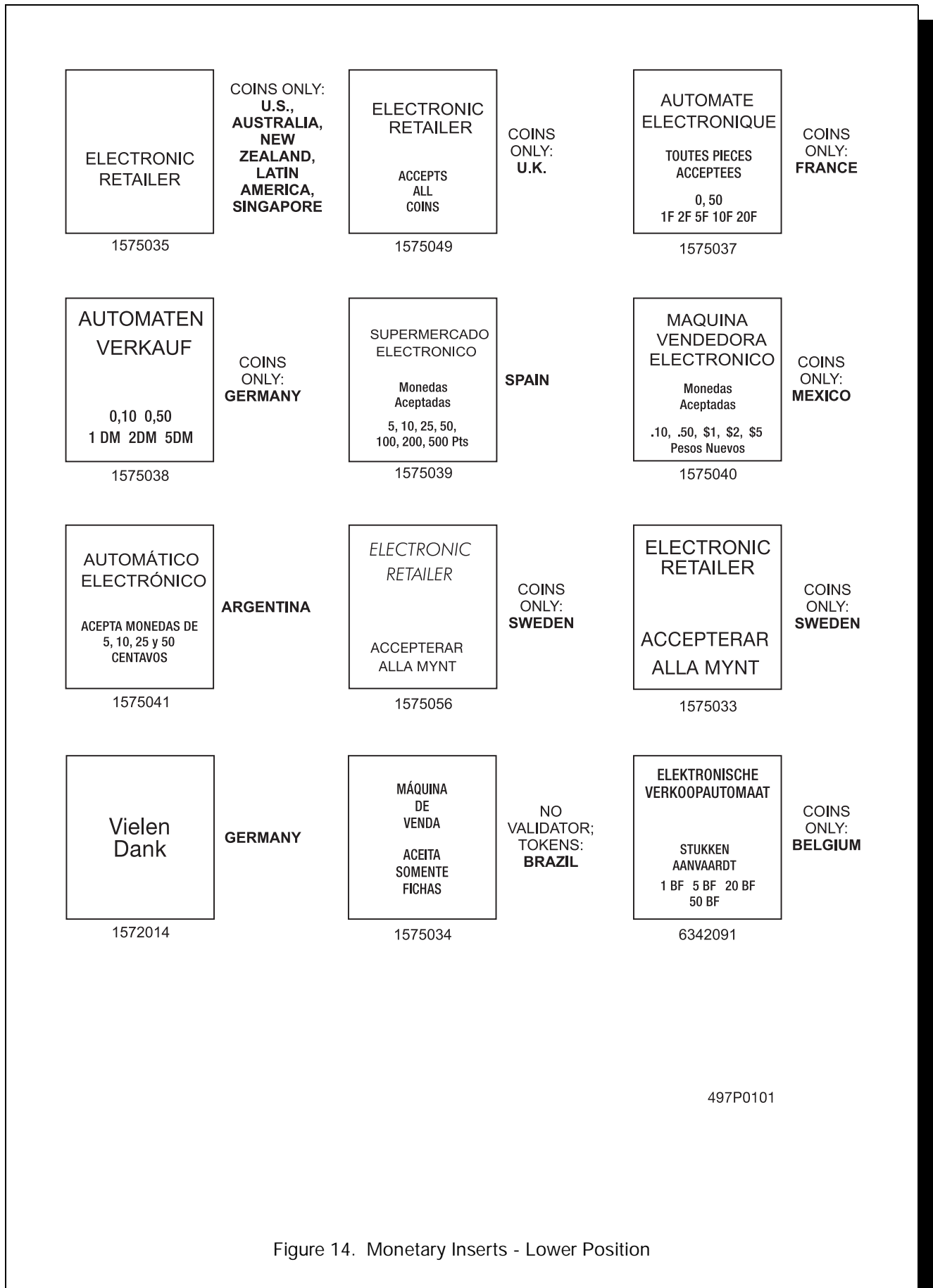
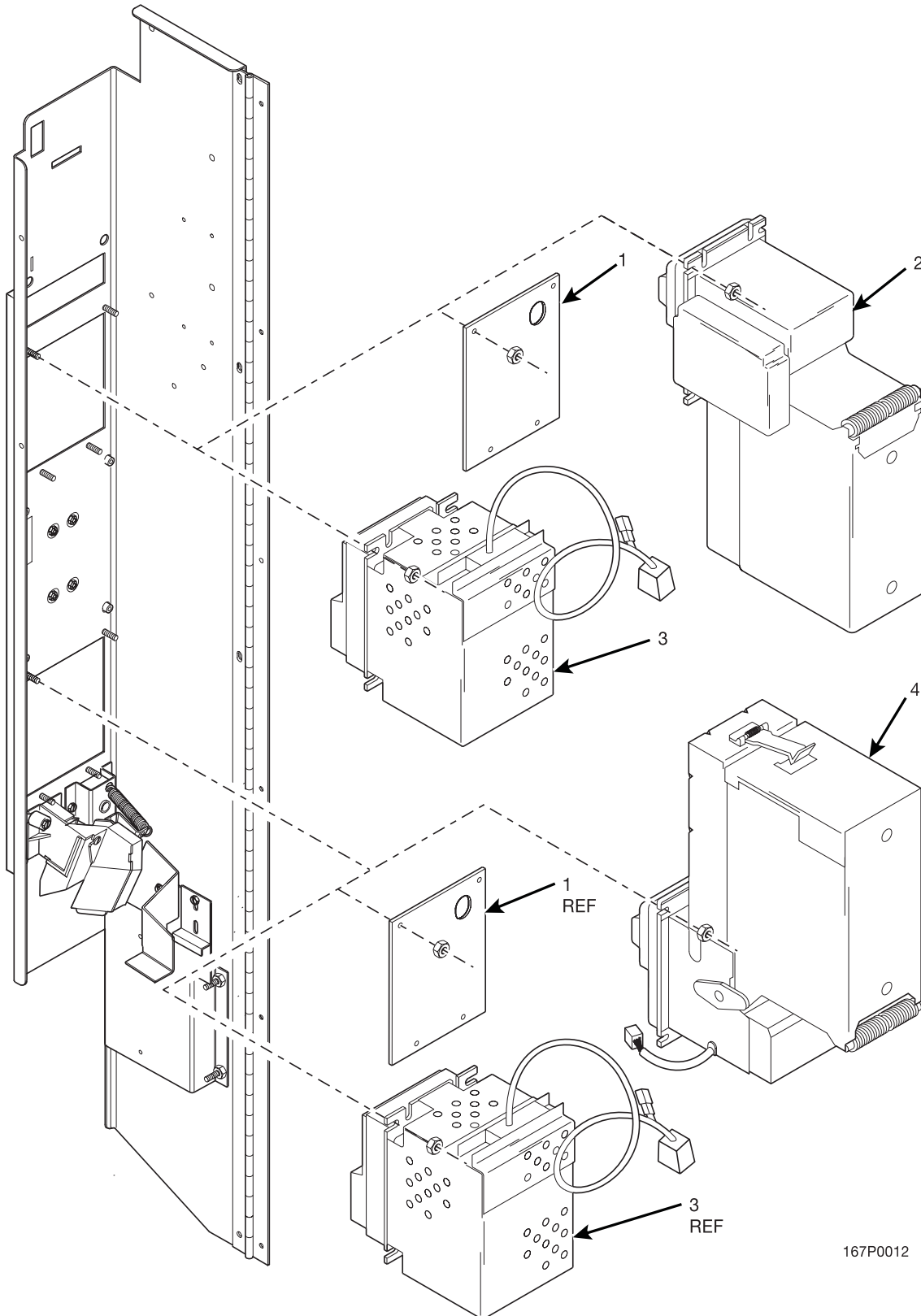


Figure 14. Monetary Inserts - Lower Position



167P0012

Figure 15. Card Reader and Bill Validator Combinations



**TABLE 15. CARD READER AND BILL VALIDATOR COMBINATIONS**

| INDEX | PART NUMBER | DESCRIPTION                        |
|-------|-------------|------------------------------------|
|       | -           | MONETARY PANEL WELD ASSEMBLY (REF) |
| 1     | 1575048     | PLATE - INSERT BACKING             |
| 2     | -           | DOWNSTACK BILL VALIDATOR           |
| 3     | -           | DEBIT CARD READER                  |
| 4     | -           | UPSTACK BILL VALIDATOR             |

**TABLE 15 A. MONETARY LOCATION OPTIONS**

| MONETARY CAPABILITY | MONETARY PANEL LOCATION                     |   | WITH COIN? |
|---------------------|---|---|------------|
|                     | UPPER                                       | LOWER                                       |            |
| COIN - VAL - CARD   | CARD READER                                 | UPSTACK VALIDATOR                           | YES        |
| COIN - VAL - CARD   | DOWNSTACK VALIDATOR                         | CARD READER                                 | YES        |
| COIN - VAL          | INSERT INSTRUCTIONS BACK-UP PLATE (1575048) | UPSTACK VALIDATOR                           | YES        |
| COIN - VAL          | DOWNSTACK VALIDATOR                         | INSERT INSTRUCTIONS BACKUP PLATE (1575048)  | YES        |
| COIN - CARD         | INSERT INSTRUCTIONS BACK-UP PLATE (1575048) | CARD READER                                 | YES        |
| COIN - CARD         | CARD READER                                 | INSERT INSTRUCTIONS BACK-UP PLATE (1575048) | YES        |
| VAL - CARD          | CARD READER                                 | UPSTACK VALIDATOR                           | NO         |
| VAL - CARD          | DOWNSTACK VALIDATOR                         | CARD READER                                 | NO         |
| COIN ONLY           | INSERT INSTRUCTIONS BACK-UP PLATE (1575048) | INSERT INSTRUCTIONS BACK-UP PLATE (1575048) | YES        |
| VAL ONLY            | INSERT INSTRUCTIONS BACK-UP PLATE (1575048) | UPSTACK VALIDATOR                           | NO         |
| VAL ONLY            | DOWNSTACK VALIDATOR                         | INSERT INSTRUCTIONS BACK-UP PLATE (1575048) | NO         |
| CARD ONLY           | CARD READER                                 | INSERT INSTRUCTIONS BACK-UP PLATE (1575048) | NO         |
| CARD ONLY           | INSERT INSTRUCTIONS BACK-UP PLATE (1575048) | CARD READER                                 | NO         |

**NOTES:**  
**ALL ITEMS ARE SECURED WITH FOUR NUTS (P/N 9900081).**  
**SHADED ITEMS REPRESENT ALTERNATE CONFIGURATIONS**



**TABLE 15 B. BILL VALIDATOR OPTIONS**

| PART NUMBER                  | DESCRIPTION   | USE WITH HARNESS PART NUMBER       |
|------------------------------|---|------------------------------------|
| 5900198                      | VALIDATOR - MARS - S2000 - VN2311 - U5E                   | 1579005                            |
| 5900182                      | VALIDATOR - COINCO - BA305A                               | 1579028                            |
| 5900193                      | VALIDATOR - MARS - S2000 - VN2511 - U5E -CN5              | 1579028                            |
| 5900233                      | VALIDATOR - CONLUX MKA 2152-12B 120V                      | 1579028                            |
| 5900205                      | VALIDATOR - MARS - VN2512-U5E - 24V                       | 1579032 (HARNESS) 9989718 (JUMPER) |
| 5900221                      | VALIDATOR - COINCO - BA32SA - 24V                         |                                    |
| 5900234                      | VALIDATOR - CONLUX - 2162 - 24V - 300                     |                                    |
| 1475053                      | VALIDATOR - MAKA - NB - 1KB - 400 WITH MASK "K" INSTALLED | 1579006                            |
| 3152444                      | VALIDATOR - MARS - VFM1 - S1 - U4C -CNSMT                 | 1579005                            |
| 3152391                      | VALIDATOR - MARS VFM3 - S1 - U4C -CNSMT                   | 1579028                            |
| 5900248                      | VALIDATOR - MARS - AE 2611 - U5E - SERIAL                 | 1579028                            |
| <b>MDB VALIDATOR OPTIONS</b> |   |                                    |
| 5900182                      | VALIDATOR - COINCO - BA 30SA                              | 1579034                            |
| 5900210                      | VALIDATOR - MARS - VN2512 - USM/500 -MDB                  | -                                  |
| 5900234                      | VALIDATOR - COINLUX - 2162 - 24V - 300                    | 1579050                            |
| 5900247                      | VALIDATOR - MARS - AE 2612 - U5M - MDB                    | -                                  |

**TABLE 15 C. CARD READER OPTIONS**

| PART NUMBER | DESCRIPTION                                     |
|-------------|---|
| 1475107     | DEBITEK # VIS-MM-NAT SYSTEM III                 |
| 1575050     | BRACKET - DEBITEK CONTROLLER (NO COIN OPTION)   |
| 1575052     | BRACKET - DEBITEK CONTROLLER (WITH COIN OPTION) |

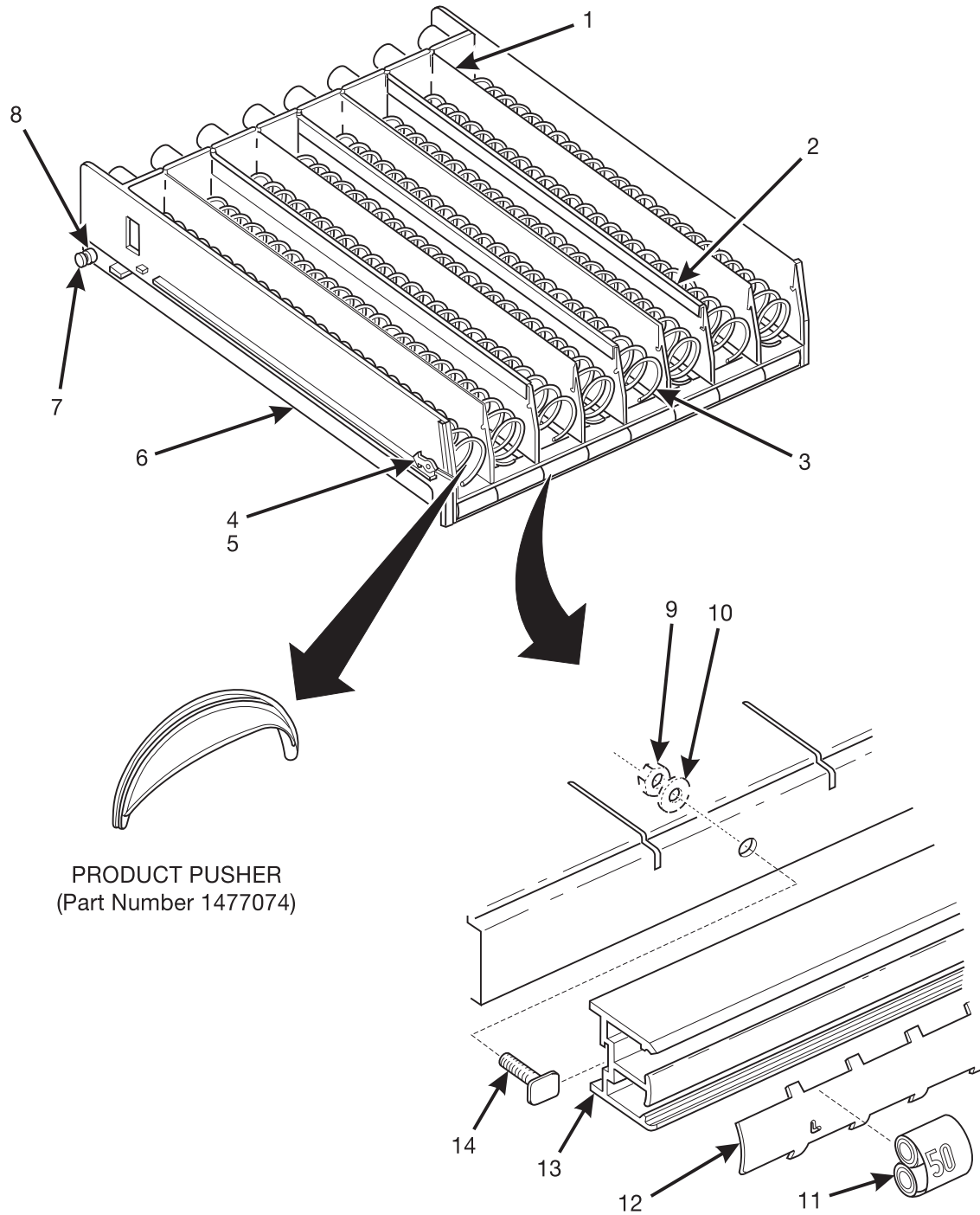




## Refreshment Center 3 Parts Manual

TABLE 15 D. COIN MECHANISM OPTIONS

| PART NUMBER | DESCRIPTION                           |
|-------------|---------------------------------------|
| 5900116     | MARS TRC6000 COIN UNIT                |
| 5307321     | COINTRON 3000 - US COIN VAL           |
| 5900096     | COINCO 9340L COIN UNIT                |
| 5900112     | MARS MC5000 COIN UNIT                 |
| 6400002     | COIN CHANGER - MARS #TRC 6010XV       |
| 6000003     | COIN CHANGER - COINCO # 9302LF-24     |
| 5900094     | COINCO 9300L COIN UNIT                |
| 5900192     | COIN UNIT - COINLUX USLX00401F        |
| 5900213     | COIN UNIT - COINCO - 9302 - GX - MDB  |
| 5900209     | COIN UNIT - CONLUX - USLZ - 001 - MDB |
| 5900214     | COIN UNIT - MARS - VN 4510 - MDB      |
| 5900216     | COIN UNIT - MARS - VN 4000, 110V      |
| 5900217     | COIN UNIT - MARS - VN 4010 XV - 24V   |
| 5900192     | COIN UNIT - CONLUX - USLX 00401F      |
| 5900237     | COIN UNIT - CONLUX - USLX - 001 120V  |
| 5900222     | COIN UNIT - MARS TRC6000 - ASV        |
| 5900243     | COIN UNIT - MARS - TRC 6512 MDB       |



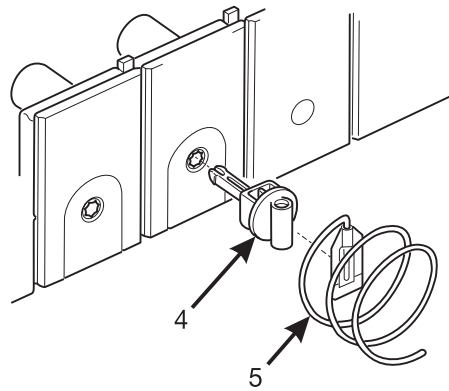
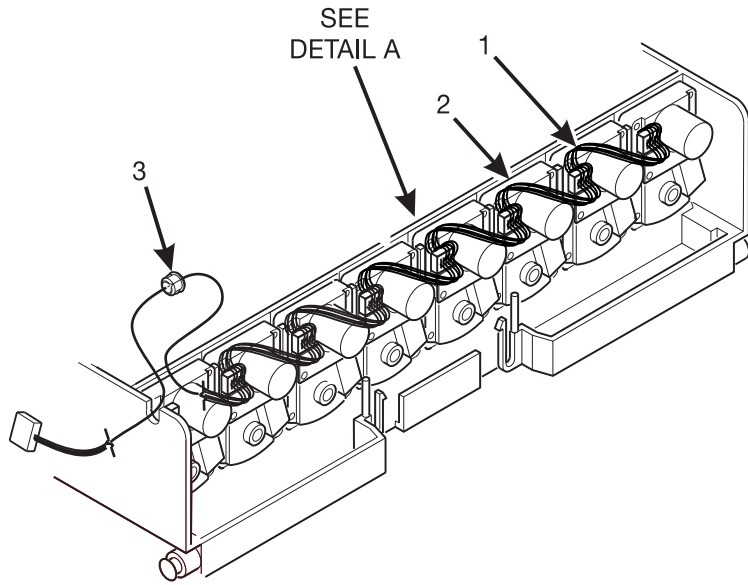
157P0269

Figure 16. Candy Tray Assembly (Part 1 of 2)

## Refreshment Center 3 Parts Manual

**TABLE 16. CANDY TRAY ASSEMBLY (PART 1 OF 2)**

| ITEM | PART NUMBER | DESCRIPTION                                   | QTY |
|------|-------------|---|-----|
| -    | 1607002     | TRAY ASSEMBLY - 8 CANDY (10 CANDY TRAY SHOWN) | 1   |
| 1    | 1477175     | WALL - TRAY                                   | 7   |
| 2    | 1677193     | SPACER - ADJUSTABLE                           | 3   |
| 3    | -           | SPIRAL (OPTIONAL) (SEE TABLE 22 FOR DETAILS)  | -   |
| 4    | 1477017     | LATCH   | 2   |
| 5    | 5201267     | PUSH-ON RETAINER - .312                       | 2   |
| 6    | 1587003     | TRAY - 4 & 8 DIVISION                         | 1   |
| 7    | 1477097     | AXLE - TRAY ROLLER                            | 2   |
| 8    | 1477148     | ROLLER - TRAY                                 | 2   |
| 9    | 9900030     | NUT #8-32 SELF-LOCKING                        | 2   |
| 10   | 5560113     | WASHER - HOPPER RELEASE                       | 2   |
| 11   | 1477014     | ROLL - PRICE - CENTS                          | 8   |
| 12   | 1487016     | HOLDER - PRICE & SELECTION                    | 1   |
| 13   | 1487009     | RAIL - PRICE & SELECTION                      | 1   |
| 14   | 2222031     | TEE BOLT - TRIM                               | 2   |



DETAIL A

485p0016

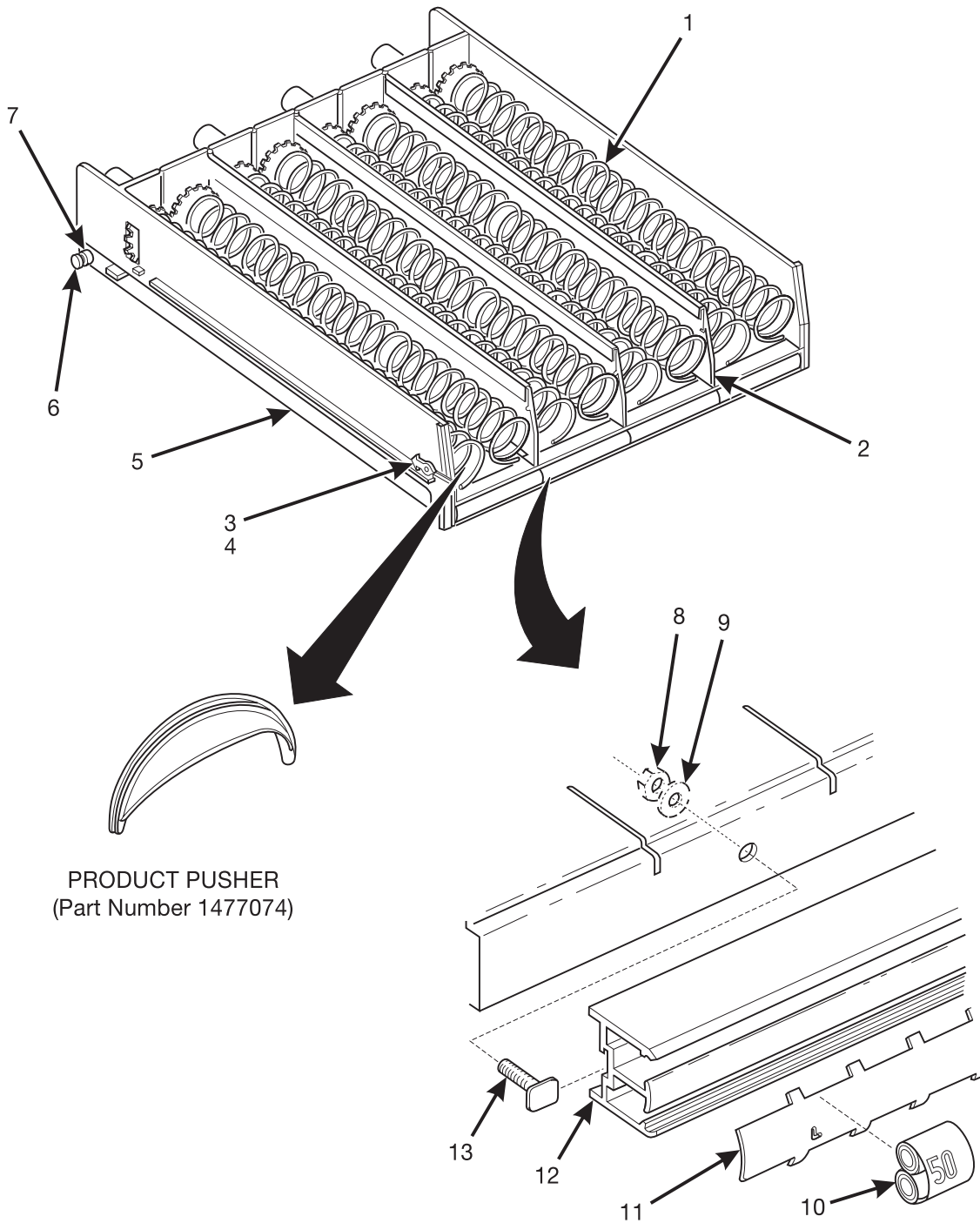
Figure 17. Candy Tray Assembly (Part 2 of 2)



## Refreshment Center 3 Parts Manual

TABLE 17. CANDY TRAY ASSEMBLY (PART 2 OF 2)

| ITEM | PART NUMBER | DESCRIPTION                         | QTY |
|------|-------------|-------------------------------------|-----|
| 1    | 1599018     | HARNESS - 8 MOTOR TRAY              | 1   |
| 2    | 1577035     | MOTOR & PCB ASSEMBLY                | 8   |
| 3    | 3502097     | BUSHING                             | 1   |
| 4    | 1477113     | COUPLING - SPIRAL                   | 8   |
| 5    | -           | SPIRALS (SEE FIGURE 22 FOR DETAILS) | -   |



PRODUCT PUSHER  
(Part Number 1477074)

485P0017

Figure 18. Snack Tray Assembly (Part 1 of 2)



## Refreshment Center 3 Parts Manual

TABLE 18. SNACK TRAY ASSEMBLY (PART 1 OF 2)

| ITEM | PART NUMBER | DESCRIPTION                        | QTY |
|------|-------------|------------------------------------|-----|
| -    | 1607001     | TRAY ASSEMBLY - 4 SNACK            | 1   |
| 1    | -           | SPIRAL (SEE FIGURE 22 FOR DETAILS) | -   |
| 2    | 1477175     | WALL - TRAY                        | 3   |
| 3    | 1477017     | LATCH                              | 2   |
| 4    | 5201267     | PUSH ON RETAINER - .312            | 2   |
| 5    | 1587003     | TRAY - 4 & 8 DIVISION              | 1   |
| 6    | 1477097     | AXLE - TRAY ROLLER                 | 2   |
| 7    | 1477148     | ROLLER - TRAY                      | 2   |
| 8    | 9900030     | NUT #8-32 SELF - LOCKING           | 2   |
| 9    | 5560113     | WASHER - HOPPER RELEASE            | 2   |
| 10   | 1477014     | ROLL - PRICE - CENTS               | 4   |
| 11   | 1487016     | HOLDER - PRICE & SELECTION         | 1   |
| 12   | 1487009     | RAIL - PRICE & SELECTION           | 1   |
| 13   | 2222031     | TEE BOLT - TRIM                    | 2   |

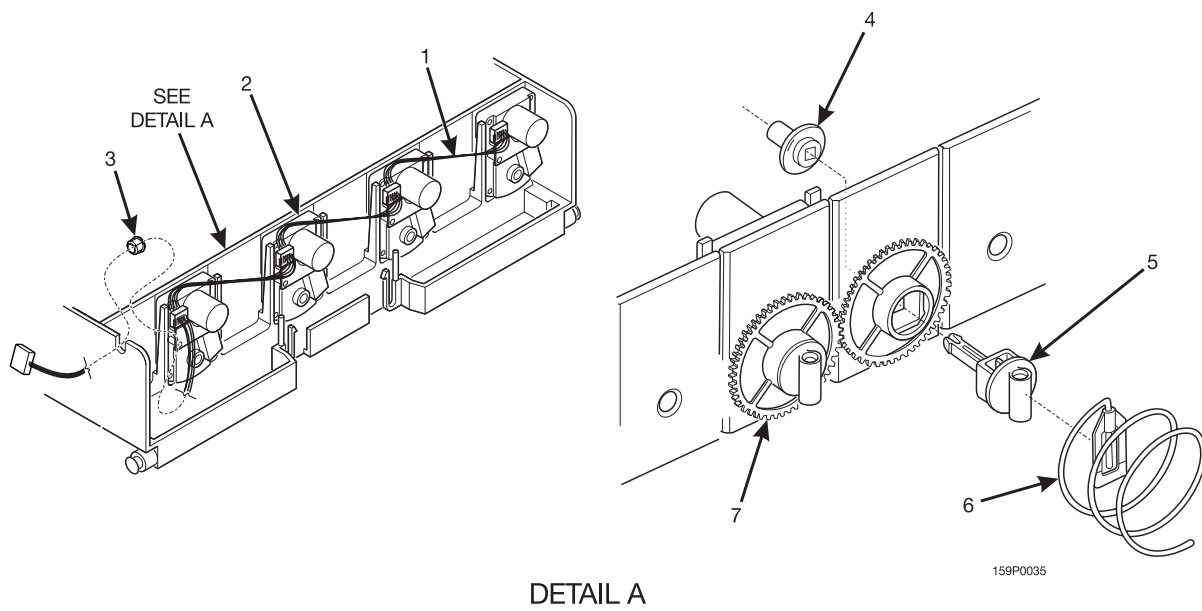


Figure 19. Snack Tray Assembly (Part 2 of 2)





## Refreshment Center 3 Parts Manual

TABLE 19. SNACK TRAY ASSEMBLY (PART 2 OF 2)

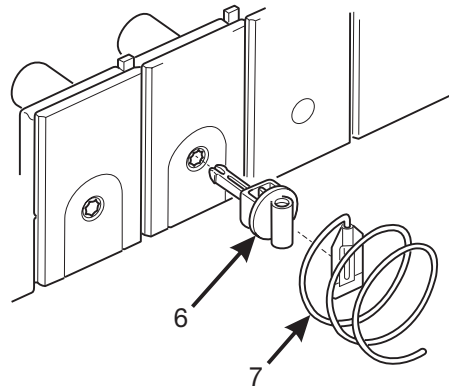
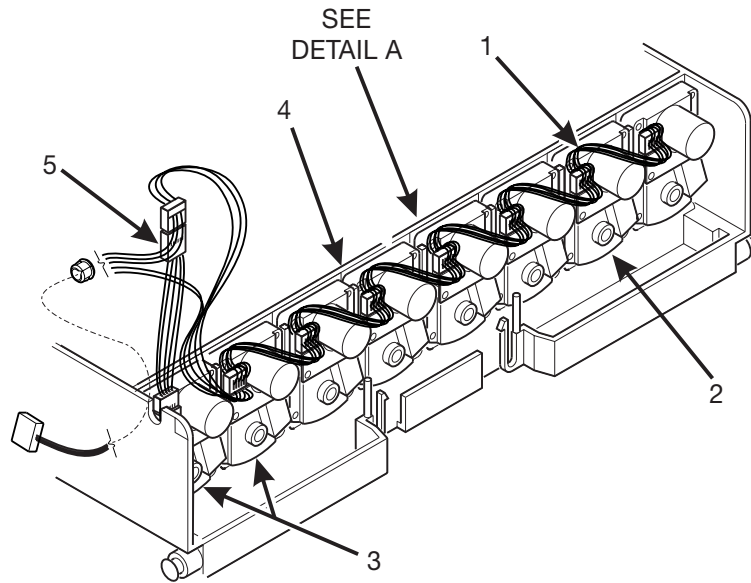
| ITEM | PART NUMBER | DESCRIPTION                         | QTY |
|------|-------------|-------------------------------------|-----|
| 1    | 1599016     | HARNESS - 4 MOTOR TRAY              | 1   |
| 2    | 1577035     | MOTOR & PCB ASSEMBLY                | 4   |
| 3    | 3502097     | BUSHING                             | 1   |
| 4    | 1477022     | BEARING - COUPLER                   | 4   |
| 5    | 1477113     | COUPLING - SPIRAL                   | 8   |
| 6    | -           | SPIRALS (SEE FIGURE 22 FOR DETAILS) | -   |
| 7    | 1477020     | GEAR - TRAY                         | 8   |



## Refreshment Center 3 Parts Manual

**TABLE 20. GUM AND MINT TRAY ASSEMBLY (PART 1 OF 2)**

| ITEM | PART NUMBER | DESCRIPTION  | QTY |
|------|-------------|--|-----|
| -    | 1607003     | TRAY ASSEMBLY - 6 CANDY - 2 GUM                                    | 1   |
| 1    | 1477175     | WALL - TRAY  | 7   |
| 2    | 1677193     | SPACER - ADJUSTABLE  | 3   |
| 3    | -           | SPIRAL (SEE FIGURE 22 FOR DETAILS)                                 | -   |
| 4    | 1477017     | LATCH  | 2   |
| 5    | 5201267     | PUSH ON RETAINER - .312  | 2   |
| 6    | 1587003     | TRAY - 4 & 8 DIVISION  | 2   |
| 7    | 1477097     | AXLE - TRAY ROLLER   | 2   |
| 8    | 1477148     | ROLLER - TRAY  | 2   |
| 9    | 9900030     | NUT #8-32 SELF-LOCKING   | 2   |
| 10   | 5560113     | WASHER - HOPPER RELEASE  | 2   |
| 11   | 1477014     | ROLL - PRICE - CENTS   | 8   |
| 12   | 1487016     | HOLDER - PRICE & SELECTION   | 1   |
| 13   | 1487009     | RAIL - PRICE & SELECTION   | 1   |
| 14   | 2222031     | TEE BOLT - TRIM  | 2   |
| 15   | 1467127     | SPIRAL ASSEMBLY - DUAL GUM & MINT (INCLUDES INDEX NUMBERS 16 - 21) | 2   |
| 16   | 1467131     | SPIRAL INSERT ASSEMBLY   | 1   |
| 17   | 1467129     | DISC - SPIRAL INSERT   | 1   |
| 18   | 1467136     | CAP - SPIRAL INSERT  | 2   |
| 19   | 1467130     | DISC - SPIRAL INSERT   | 1   |
| 20   | 1467137     | RETAINER - SPIRAL - ORANGE   | 1   |
| 21   | 1467128     | SPIRAL - 2.65 DIAMETER - DUAL GUM & MINT                           | 1   |



DETAIL A

159P0038

Figure 21. Gum and Mint Tray Assembly (Part 2 of 2)



# Refreshment Center 3 Parts Manual

**TABLE 21. GUM AND MINT TRAY ASSEMBLY (PART 2 OF 2)**

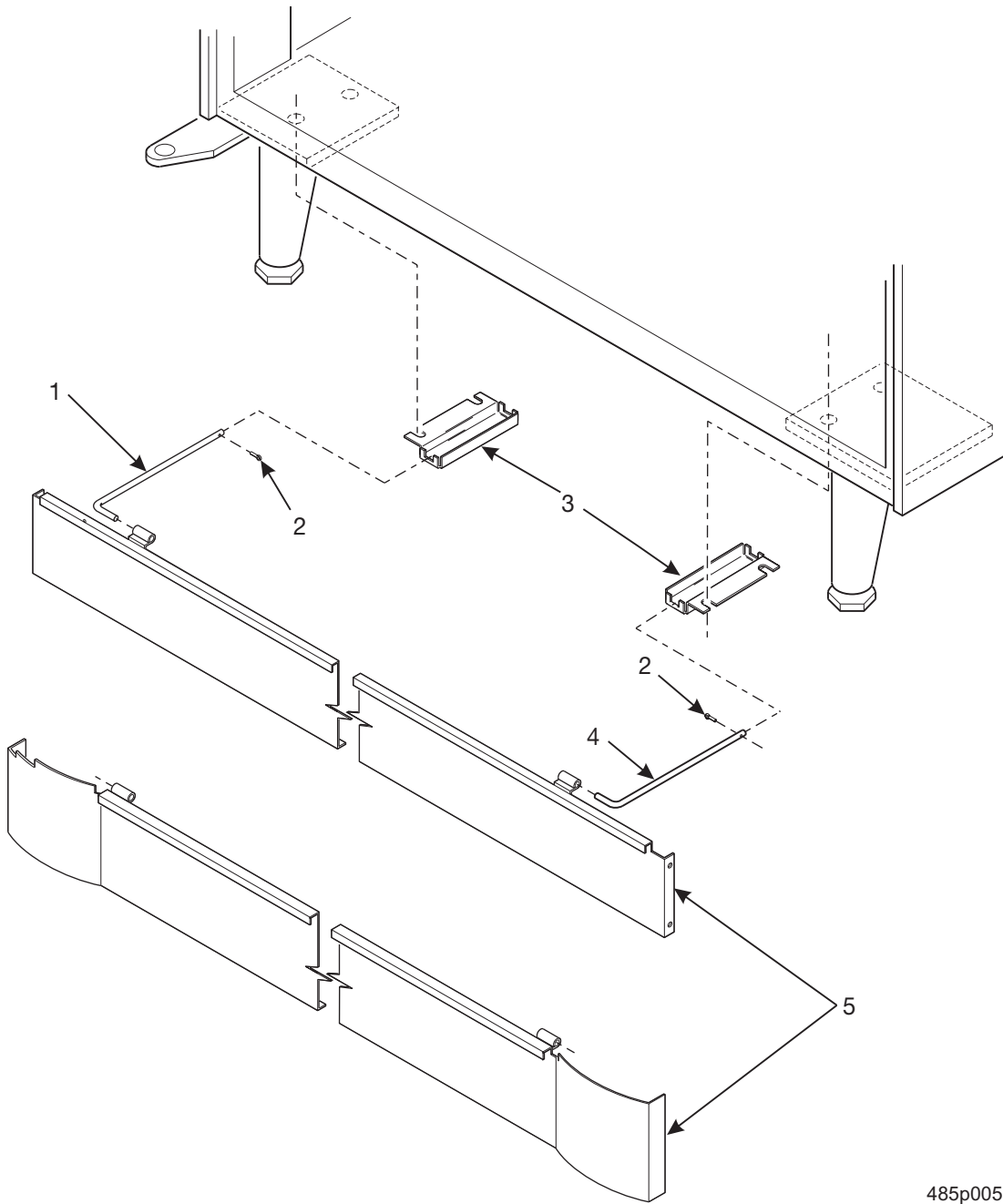
| ITEM | PART NUMBER | DESCRIPTION                        | QTY |
|------|-------------|------------------------------------|-----|
| 1    | 1599018     | HARNESS - 8 MOTOR TRAY             | 1   |
| 2    | 1577035     | MOTOR & PCB ASSEMBLY               | 6   |
| 3    | 1477114     | MOTOR & PCB ASSEMBLY               | 2   |
| 4    | 3502097     | BUSHING                            | 1   |
| 5    | 1477156     | JUMPER ASSEMBLY - MOTOR REVERSING  | 1   |
| 6    | 1477113     | COUPLING - SPIRAL                  | 8   |
| 7    | -           | SPIRAL (SEE FIGURE 22 FOR DETAILS) | -   |

**TABLE 22. SPIRAL OPTIONS**

|              |                |          | PART NUMBERS |         |            |         |
|--------------|----------------|----------|--------------|---------|------------|---------|
|              |                |          | LEFT HAND    |         | RIGHT HAND |         |
| Spiral Count | Retainer Color | Retainer | Assembly     | Spiral  | Assembly   | Spiral  |
| 5            | -              | -        | -            | 1477178 | -          | 1477179 |
| 6            | PURPLE         | 1477107  | 1477103      | 1477102 | 1477105    | 1477104 |
| 9            | GRAY           | 1477155  | 1477149      | 1477150 | 1477152    | 1477153 |
| 11           | BLUE           | 1457061  | 1477023      | 1477024 | 1477026    | 1477027 |
| 13           | YELLOW         | 1457062  | 1477029      | 1477030 | 1477032    | 1477033 |
| 15           | RED            | 1457063  | 1477035      | 1477063 | 1477038    | 1477039 |
| 17           | BROWN          | 1477106  | 1477101      | 1477100 | 1477099    | 1477098 |
| 20           | WHITE          | 1457064  | 1477041      | 1477042 | 1477044    | 1477045 |
| 25           | GREEN          | 1457065  | 1477047      | 1477048 | 1477050    | 1477051 |
| 30           | BLACK          | 1477073  | 1477053      | 1477054 | 1477056    | 1477057 |

**TABLE 23. PRICE ROLLS FOR TRAYS**

| PART NUMBER | DESCRIPTION                         |
|-------------|-------------------------------------|
| 1477014     | ROLL - PRICE - CENTS                |
| 1477015     | ROLL - PRICE - DOLLARS              |
| 1472273     | PRICE ROLL - U.K. - 1L/10L, 40P/95P |
| 1472274     | PRICE ROLL - U.K. - 1L/10L, 8P/35P  |
| 1477123     | PRICE ROLL - 0 TO 25 - U.K./GER/FR  |



485p0055

Figure 24. Base Plate Assembly

TABLE 24. BASE PLATE ASSEMBLY

| INDEX | PART NUMBER | DESCRIPTION                                       | QTY. |
|-------|-------------|---|------|
| 1     | 1411194     | SLIDE - BASE PLATE - RIGHT HAND                   | 1    |
| 2     | 9900098     | COTTER PIN, 3/32                                  | 2    |
| 3     | 6231087     | BRACKET - BASE PLATE                              | 2    |
| 4     | 1411195     | SLIDE - BASE PLATE - LEFT HAND                    | 1    |
| 5     | 4111091     | BASE PLATE ASSEMBLY (STANDARD STYLING) - NV BLACK | 1    |
|       | 4851082     | BASE PLATE ASSEMBLY - HINGED (MILLENNIA STYLING)  |      |

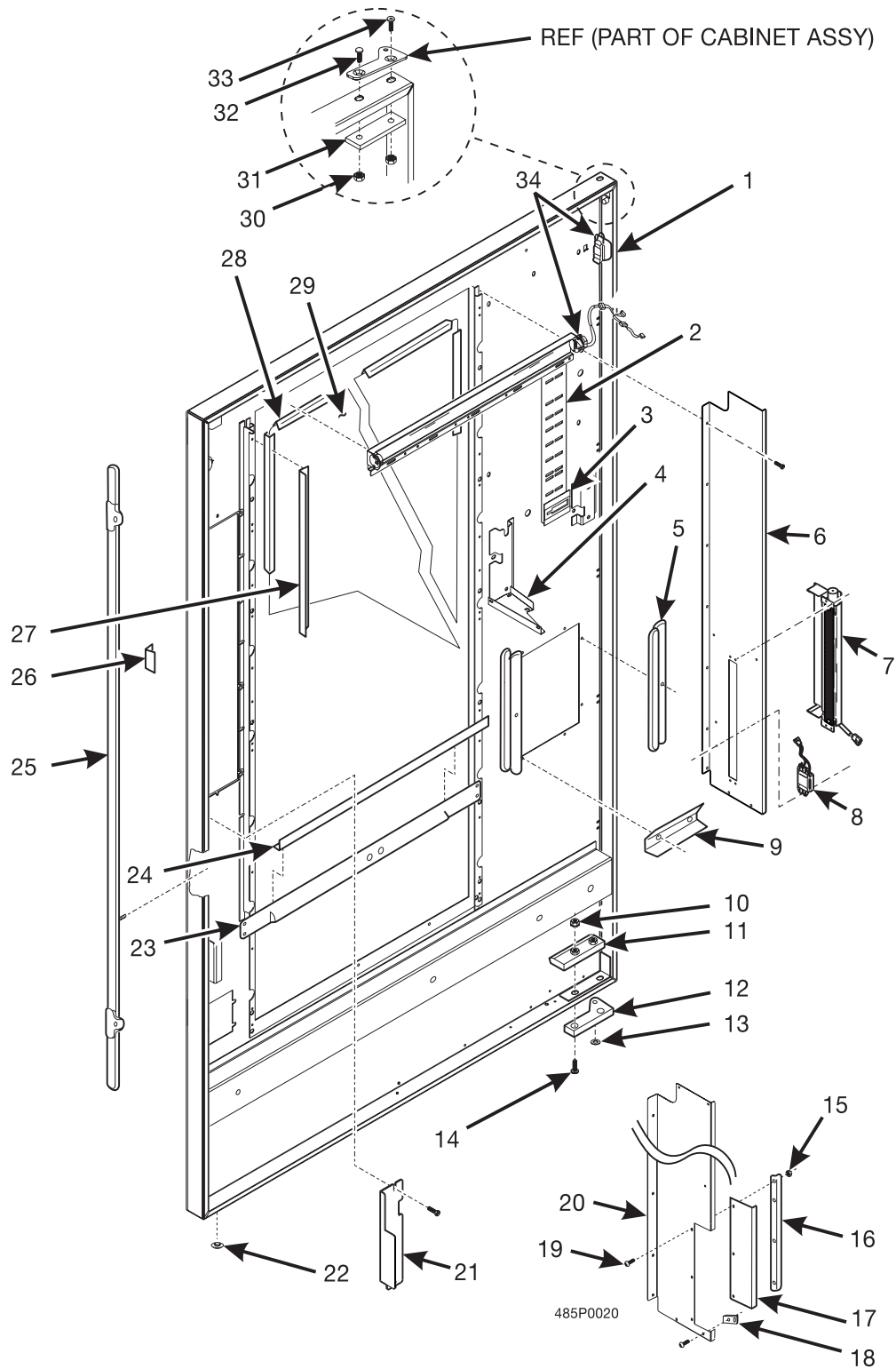


Figure 25. Door Assembly





## Refreshment Center 3 Parts Manual

**TABLE 25. DOOR ASSEMBLY**

| INDEX | PART NUMBER | DESCRIPTION   | QTY. |
|-------|-------------|---|------|
| 1     | 4852099     | WELD ASSEMBLY - DOOR - NV BLACK (ALL STYLES)  | 1    |
|       | 4852212     | DOOR WELD ASSEMBLY - MIR BLACK  |      |
|       | 4852213     | DOOR WELD ASSEMBLY - SELECTA WHITE  |      |
| 2     | 4852042     | CHANNEL - PRICE ROLLS (IMPERIAL CROWN & SIGNATURE STYLING)                                    | 1    |
| 2     | 4852043     | CHANNEL - PRICE ROLLS (MILLENNIA STYLING)   | 1    |
| 3     | 4852084     | LIGHT ASSEMBLY - INDICATOR  | 1    |
| 4     | 4852045     | GUSSET - RETAINER - L.H.  | 1    |
| -     | 1170206     | SCREW #8-32X3/8 THS BLACK   | 1    |
| -     | 9900081     | NUT #8-32 KEPS ZINC PLATE   | 1    |
| 5     | 4852080     | DOOR GUIDE - CUP STATION  | 2    |
| 6     | 4852050     | RETAINER - GLASS - W/ SIDE LIGHT  | OPT  |
| 7     | -           | FLUORESCENT SIDE LIGHT ASSEMBLY - COVERED (WITH INDEX #6 ONLY) (SEE FIGURE 33 FOR DETAILS)    | 1    |
| 8     | 4401016     | BALLAST ASSEMBLY (110V)   | 1    |
| 8     | 4851085     | BALLAST ASSEMBLY (230V)   | 1    |
| 9     | 4852079     | BRACKET - VEND DOOR STOP  | 1    |
| 10    | 1211105     | 1/4-20 KEPS NUT EXT LW ZP   | 1    |
| 11    | 6232028     | PLATE ASSEMBLY - HINGE MTG.   | 1    |
| 12    | 6232031     | HINGE ASSEMBLY - DOOR - LOWER   | 1    |
| 13    | 4242145     | BEARING - THRUST - LOWER HINGE  | 1    |
| 14    | 6232208     | WELD SCREW - #1/4 - 20 X 1" LG  | 1    |
| 15    | 9900081     | NUT #8-32 KEPS ZINC PLATE   | 1    |
| 16    | 4722024     | ANGLE - END PLATE SHIELD  | 1    |
| 17    | 4852047     | SHIELD - DISPLAY END PLATE  | 1    |
| 18    | 4722025     | BRACKET - END PLATE SHIELD  | 1    |
| 19    | 1170206     | SCREW #8-32 X 3/8 THS BLACK   | 3    |
| 20    | 4852046     | RETAINER - GLASS - WITHOUT SIDE LIGHT   | OPT  |
| -     | 1451097     | SCREW - 8-32X.31 HEX HD. TF-BLK. (ATTACHING PARTS FOR INDEX #20)                              | 7    |
| 21    | 1572196     | CHANNEL - LOCK - FILLER (MILLENNIA STYLING ONLY)  | 1    |
| 22    | 6342038     | BUTTON PLUG - 1/4 - FLUSH TYPE  | 1    |
| 23    | 1582076     | PANEL ASSEMBLY - GLASS - LOWER (IMPERIAL CROWN & SIGNATURE STYLING ONLY)                      | 1    |
| 23    | -           | HORIZONTAL TRIM & GLASS CHANNEL ASSEMBLY (MILLENNIA STYLING ONLY) (SEE FIGURE 27 FOR DETAILS) |      |
| 24    | 1582074     | CHANNEL - GLASS - LOWER (IMPERIAL CROWN & SIGNATURE STYLING ONLY)                             | 1    |
| 25    | 1472178     | LOCK BAR ASSEMBLY   | 1    |
| 26    | 1472250     | GUIDE - LOCK BAR  | 1    |

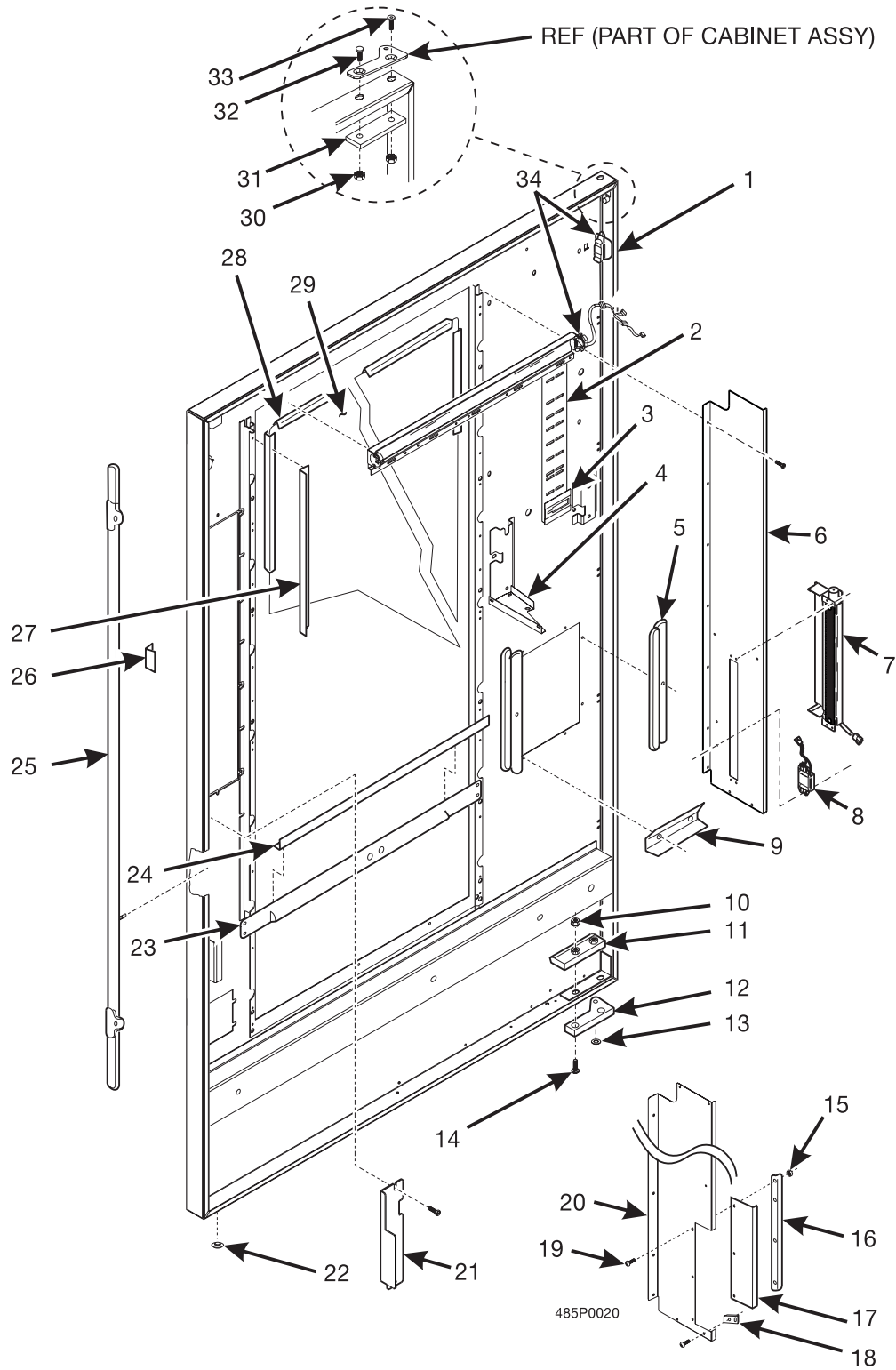


Figure 25. Door Assembly (Continued)



## Refreshment Center 3 Parts Manual

TABLE 25. DOOR ASSEMBLY (CONTINUED)

| INDEX | PART NUMBER | DESCRIPTION   | QTY. |
|-------|-------------|---|------|
| 27    | 1472048     | PLATE - GLASS RETAINING   | 1    |
| -     | 1451097     | SCREW - #8-32X.31 HEX HD.TF-BLK.  | 7    |
| 28    | 6232092     | EXTRUSION - GLASS - CHANNEL (IMPERIAL CROWN & SIGNATURE STYLING ONLY)                   | 1    |
| 29    | 1582075     | GLASS - DISPLAY (IMPERIAL CROWN & SIGNATURE STYLING ONLY)                               | 1    |
| 29    | 1582079     | GLASS - CURVED FRONT - 32" - SNACK (MILLENNIA STYLING ONLY) (SEE FIGURE 26 FOR DETAILS) | 1    |
| 30    | 1211105     | 1/4 - 20 KEPS NUT EXT LW ZP   | 1    |
| 31    | 6232028     | PLATE ASSEMBLY - HINGE MTG.   | 1    |
| 32    | 6232208     | WELD SCREW - 1/4 - 20 X 1"LG  | 1    |
| 33    | 6232036     | SCREW - 5/16 - 18X.75 FLAT HEAD SOCKET  | 1    |
| 34    | -           | UPPER DOOR LIGHT ASSEMBLY & BALLAST (SEE FIGURE 32 FOR DETAILS)                         | 1    |

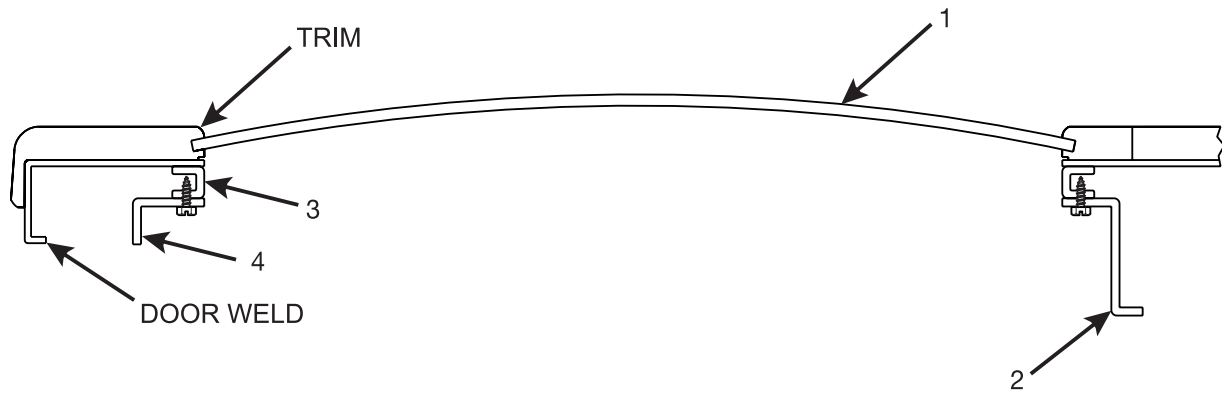


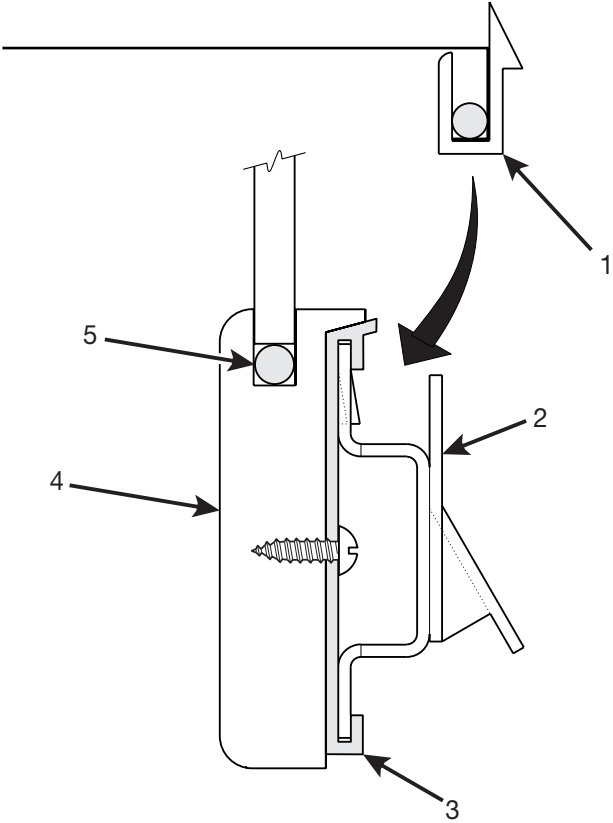
Figure 26. Door Glass and Glass Retaining Components (Millennia Styling)



## Refreshment Center 3 Parts Manual

**TABLE 26. DOOR GLASS AND GLASS RETAINING COMPONENTS (MILLENNIA STYLING)**

| INDEX | PART NUMBER | DESCRIPTION                        | QTY. |
|-------|-------------|------------------------------------|------|
| 1     | 1582079     | GLASS - CURVED FRONT - 32" - SNACK | 1    |
| 2     | 4852050     | RETAINER - GLASS W/ SIDE LIGHT     | REF  |
| 2     | 4852046     | RETAINER - GLASS W/O SIDE LIGHT    | REF  |
| 3     | 1572243     | GLASS - RETAINER - SPACER          | 2    |
| 4     | 1472048     | GLASS RETAINING PLATE              | REF  |



157p0278

Figure 27. Horizontal Trim and Glass Channel Assembly (Millennia Styling)



## Refreshment Center 3 Parts Manual

**TABLE 27. HORIZONTAL TRIM AND GLASS CHANNEL ASSEMBLY (MILLENNIA STYLING)**

| <b>INDEX</b> | <b>PART NUMBER</b> | <b>DESCRIPTION</b>                       | <b>QTY.</b> |
|--------------|--------------------|--|-------------|
| -            | 1582141            | HORIZONTAL TRIM & GLASS CHANNEL ASSEMBLY | 1           |
| 1            | 1582095            | CHANNEL & DELECTOR ASSEMBLY              | 1           |
| 2            | 1602026            | PANEL ASSEMBLY - GLASS LOWER             | 1           |
| 3            | 1582084            | PANEL - LOWER TRIM - W/HOLES & PTD.      | 1           |
| 4            | 1582201            | HORIZONTAL TRIM - UPPER - J              | 1           |
| 5            | 1582093            | GASKET - GLASS                           | 1           |

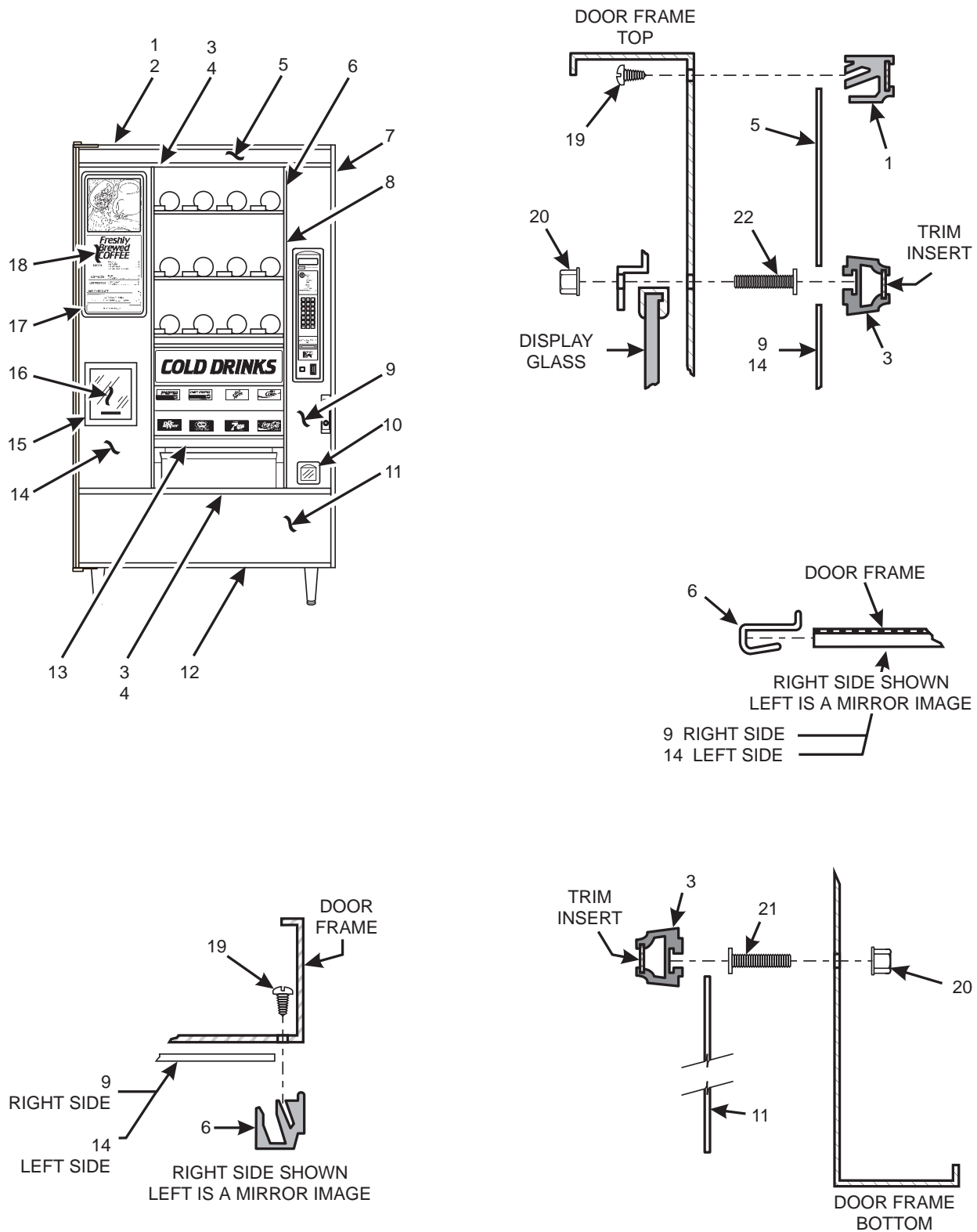


Figure 28. Common Trim and Panel Components - Standard Styling





# Refreshment Center 3 Parts Manual

**TABLE 28. COMMON TRIM AND PANEL COMPONENTS - STANDARD STYLING**

| INDEX | PART NUMBER | DESCRIPTION   | QTY. |
|-------|-------------|---|------|
| 1     | 1472025     | TRIM - DOOR - TOP AND BOTTOM (IMPERIAL CROWN)           | 1    |
|       | 1472097     | TRIM - DOOR - TOP AND BOTTOM (SIGNATURE)                |      |
| 2     | 1472026     | TRIM - INSERT   | 1    |
| 3     | 1472028     | TRIM - DOOR - HORIZONTAL                                | 2    |
| 4     | 1472026     | TRIM - INSERT   | 2    |
| 5     | -           | PANEL - TOP TRIM (SEE FIGURE 28 A FOR DETAILS)          | 1    |
| 6     | 1472190     | TRIM - VERTICAL   | 2    |
| 7     | 1302409     | TRIM - DOOR SIDE (IMPERIAL CROWN)                       | 2    |
|       | 1452203     | TRIM - DOOR SIDE (SIGNATURE)                            |      |
| 8     | 1575047     | CASTING - MONETARY FRAME - BLACK                        | 1    |
| -     | 1472132     | SCREW, #6-32 X 1/4 PHS, T/C, PHILLIPS                   | 10   |
| 9     | -           | TRIM PANEL - RIGHT HAND (SEE FIGURE 28 B FOR DETAILS)   | 1    |
| 10    | 1572011     | TRIM - COIN CUP - BLACK                                 | 1    |
| 11    | -           | TRIM PANEL - BOTTOM (SEE FIGURE 28 C FOR DETAILS)       | 1    |
| 12    | 1472245     | EDGE PROTECTOR  | 1    |
| 13    | 1582090     | TRIM - PANEL - GLASS - LOWER                            | 1    |
| 14    | -           | TRIM PANEL - LEFT HAND (SEE FIGURE 28 D FOR DETAILS)    | 1    |
| 15    | 4732035     | TRIM ASSEMBLY DELIVERY - CUP STATION                    | 1    |
| -     | 9900081     | NUT #8-32 W/LW (ATTACHES INDEX #15)                     | 8    |
| 16    | 4732022     | DOOR - DELIVERY - SILKSCREEN                            | 1    |
| 17    | 4752043     | FRAME - PRODUCT IDENTIFIER                              | 1    |
| -     | 6232078     | NUT - SELF THREADING                                    | 9    |
| 18    | 4752105     | LENS - SELECTION INSERT                                 | 1    |
| -     | 4752123     | INSERT - SELECT - RC3 - F.B. & F.D. - U.K. (U.S., U.K.) | 1    |
| -     | 4752124     | INSERT - SELECT - RC3 - FD/FB - FR (FRENCH)             | 1    |
| -     | 4752127     | INSERT - SELECT - RC3 - FB (GERMAN)                     | 1    |
| 19    | 1302282     | SCREW - #6 X 3/8 RHS T/C                                | 23   |
| 20    | 9900081     | NUT #8-32 W/LW  | 14   |
| 21    | 2222110     | T-BOLT TRIM - 3/8"                                      | 8    |
| 22    | 2222031     | T-BOLT TRIM - 1/2"                                      | 6    |



TABLE 28 A. TOP TRIM PANEL (INDEX #5)

| PART NUMBER | DESCRIPTION         |
|-------------|---------------------|
| 1472019     | PRESIDENTIAL WALNUT |
| 1472101     | BLACK HAIRCELL      |
| 1472109     | DOVE                |
| 1472121     | ENAMELED            |
| 1472150     | VINYL SPECIAL       |
| 1472160     | STERLING            |
| 1472168     | TEAK                |
| 1472176     | FORMICA SPECIAL     |
| 1472283     | WHITE HAIRCELL      |
| 1472289     | SLATE               |
| 1472294     | BLACK PICA          |
| 1472308     | BISON BLACK         |
| 1472321     | NU WHITE            |



## Refreshment Center 3 Parts Manual

TABLE 28 B. RIGHT SIDE TRIM PANEL (INDEX #9)

| PART NUMBER | DESCRIPTION           |
|-------------|-----------------------|
| 1572101     | STERLING              |
| 1572106     | BLACK PICA            |
| 1572115     | COMP OAK              |
| 1572121     | STERLING WITHOUT COIN |
| 1572123     | ENAMELED              |
| 1572130     | NU WHITE              |
| 1572139     | MOROCCO GREY          |
| 1572141     | PEWTER                |
| 1572144     | PLATINUM GREY         |
| 1572149     | PRESIDENTIAL WALNUT   |
| 1572160     | VINYL SPECIAL         |
| 1572163     | WHITE HAIRCELL        |



TABLE 28 C. BOTTOM TRIM PANEL (INDEX #11)

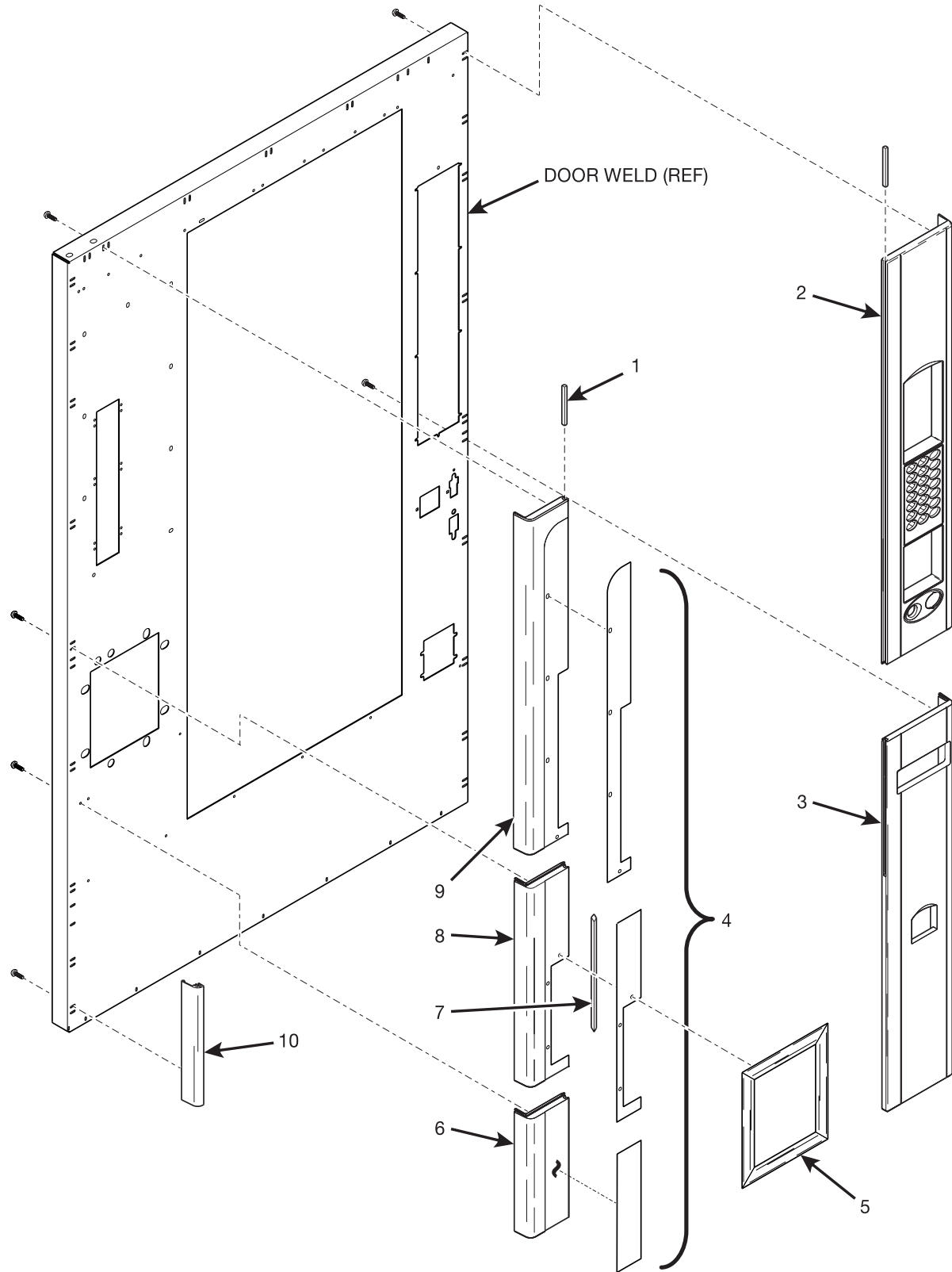
| PART NUMBER | DESCRIPTION         |
|-------------|---------------------|
| 1472213     | COMP OAK            |
| 1472216     | PLATINUM GREY       |
| 1472232     | PRESIDENTIAL WALNUT |
| 1472234     | FORMICA SPECIAL     |
| 1472235     | DOVE                |
| 1472237     | ENAMELED            |
| 1472238     | VINYL SPECIAL       |
| 1472239     | STERLING            |
| 1472241     | TEAK                |
| 1472242     | SLATE               |
| 1472243     | BLACK HAIRCELL      |
| 1472248     | PEWTER              |
| 1472286     | WHITE HAIRCELL      |
| 1472297     | BLACK PICA          |
| 1472311     | BISON BLACK         |
| 1472322     | NU WHITE            |



## Refreshment Center 3 Parts Manual

TABLE 28 D. LEFT SIDE TRIM PANEL (INDEX #14)

| PART NUMBER | DESCRIPTION   |
|-------------|---------------|
| 4852062     | VINYL SPECIAL |
| 4852063     | NU WHITE      |
| 4852090     | MOROCCO GREY  |
| 4852064     | BLACK PICA    |
| 4852060     | STERLING      |
| 4852065     | COMP. OAK     |
| 4852066     | PLATINUM GREY |
| 4852067     | PEWTER        |
| 4852068     | WHITE HAIRCEL |
| 4852069     | ENAMELED      |

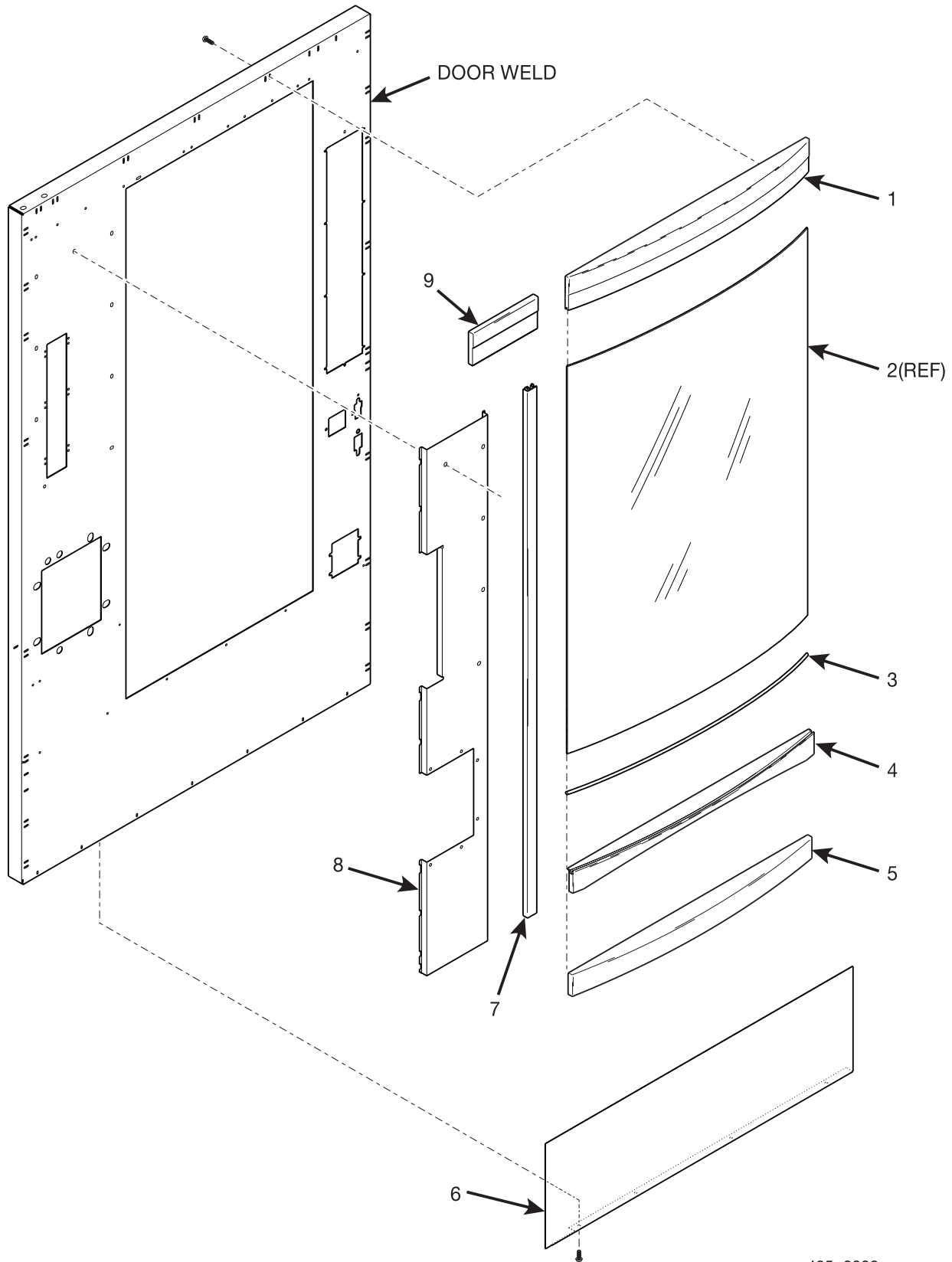


485p0027

Figure 29. Common Trim and Panel Components - Millennium Styling (Part 1 of 2)

**TABLE 29. COMMON TRIM AND PANEL COMPONENTS - MILLENNIA STYLING (PART 1 OF 2)**

| INDEX | PART NUMBER | DESCRIPTION  | QTY. |
|-------|-------------|--|------|
| 1     | 1572259     | FILLER - GROOVE - SHORT  | 2    |
| 2     | 1572213     | RIGHT HAND TRIM - UPPER - A-21   | 1    |
| 3     | 1572214     | RIGHT HAND TRIM - LOWER - B  | 1    |
| 4     | 4852054     | DECAL/DOOR TRIM VERTICAL ASSEMBLY (INCLUDES DECALS FOR INDEX #'S 6, 8 & 9) | 1    |
| 5     | 4852057     | TRIM ASSEMBLY - CUP STATION  | 1    |
| 6     | 4552060     | TRIM - BOTTOM - LEFT HAND - "E"  | 1    |
| 7     | 1572260     | FILLER - GROOVE - LONG   | 1    |
| 8     | 4852053     | TRIM - DOOR - L.H. - D   | 1    |
| 9     | 4852052     | TRIM - DOOR - L.H. - C1  | 1    |
| 10    | 1572267     | TRIM - LOWER DOOR SIDE - GRAY  | 1    |



485p0028

Figure 30. Common Trim and Panel Components - Millennia Styling (Part 2 of 2)

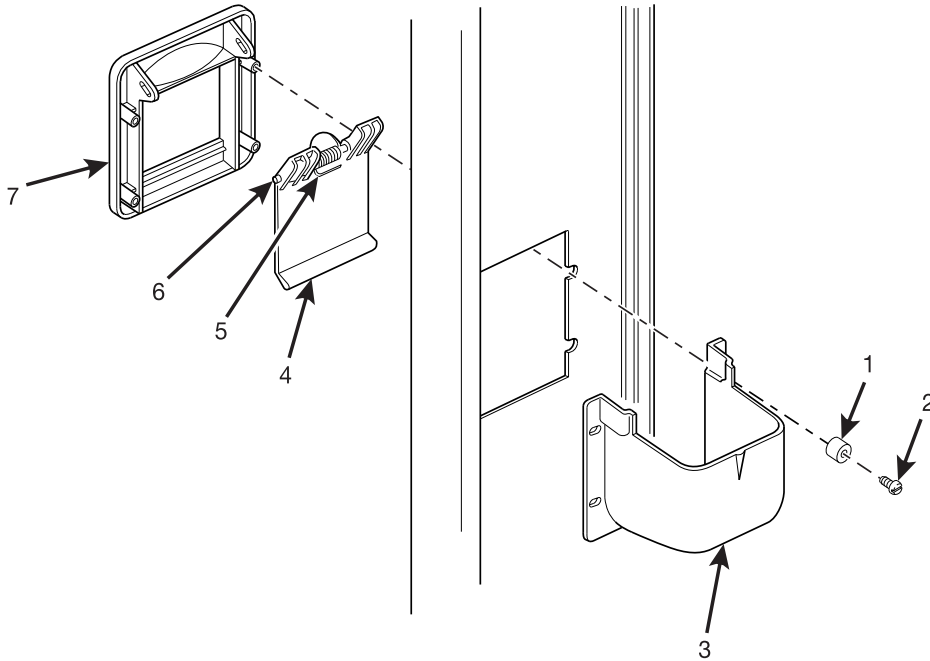




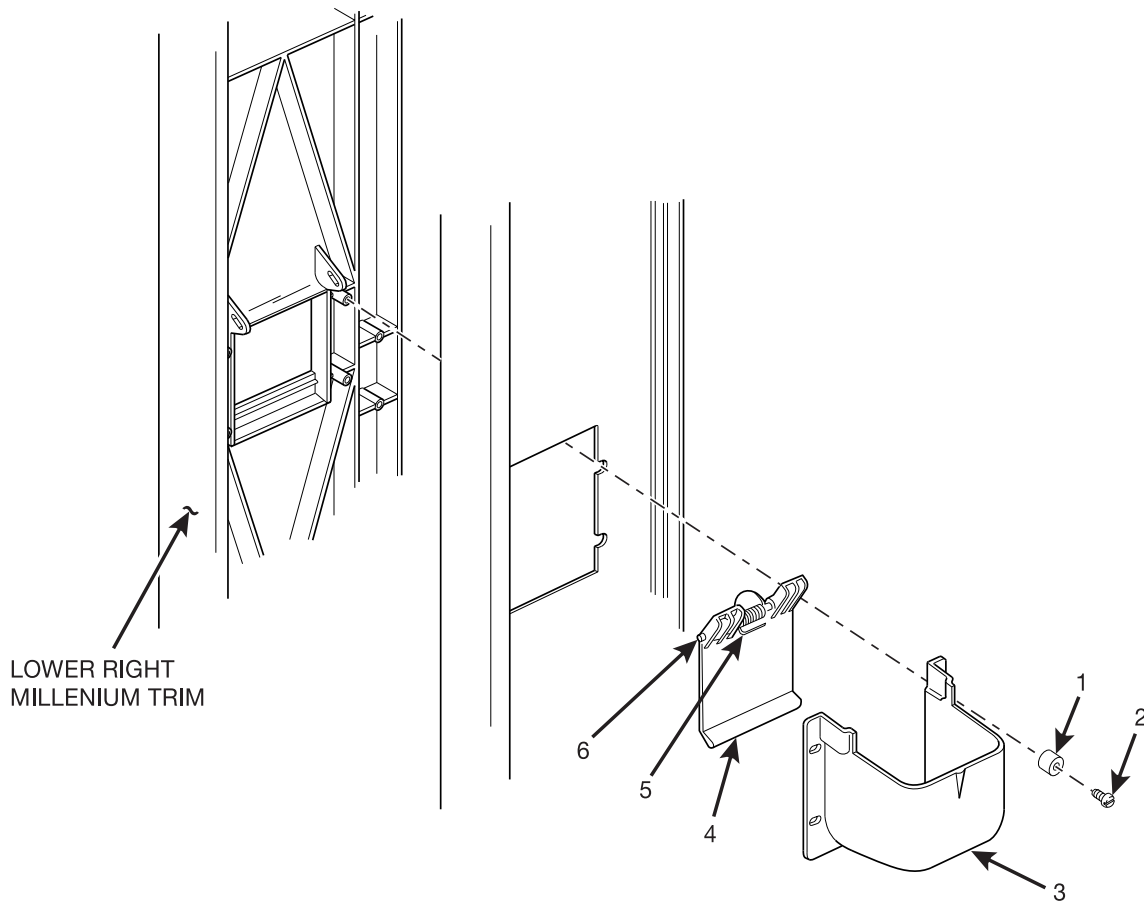
## Refreshment Center 3 Parts Manual

TABLE 30. COMMON TRIM AND PANEL COMPONENTS - MILLENNIA STYLING (PART 2 OF 2)

| INDEX | PART NUMBER | DESCRIPTION                      | QTY. |
|-------|-------------|----------------------------------|------|
| 1     | 1582200     | HORIZONTAL TRIM - TOP - 32" H    | 1    |
| 2     | 1582079     | GLASS - CURVED FRONT - 32" SNACK | 1    |
| 3     | 1582093     | GASKET - GLASS                   | 1    |
| 4     | 1582201     | HORIZONTAL TRIM - UPPER - J      | 1    |
| 5     | 1582202     | HORIZONTAL TRIM - LOWER - K      | 1    |
| 6     | 4972152     | PANEL - BOTTOM TRIM - GRAY       | 1    |
| 7     | 4852089     | TRIM - DOOR - INSIDE - BLACK     | 1    |
| 8     | 4852051     | PANEL - LEFT HAND TRIM           | 1    |
| 9     | 4852201     | L.H. TOP TRIM - RC3              | 1    |



COIN RECEPTACLE ASSEMBLY - STANDARD



COIN RECEPTACLE ASSEMBLY - MILLENIUM

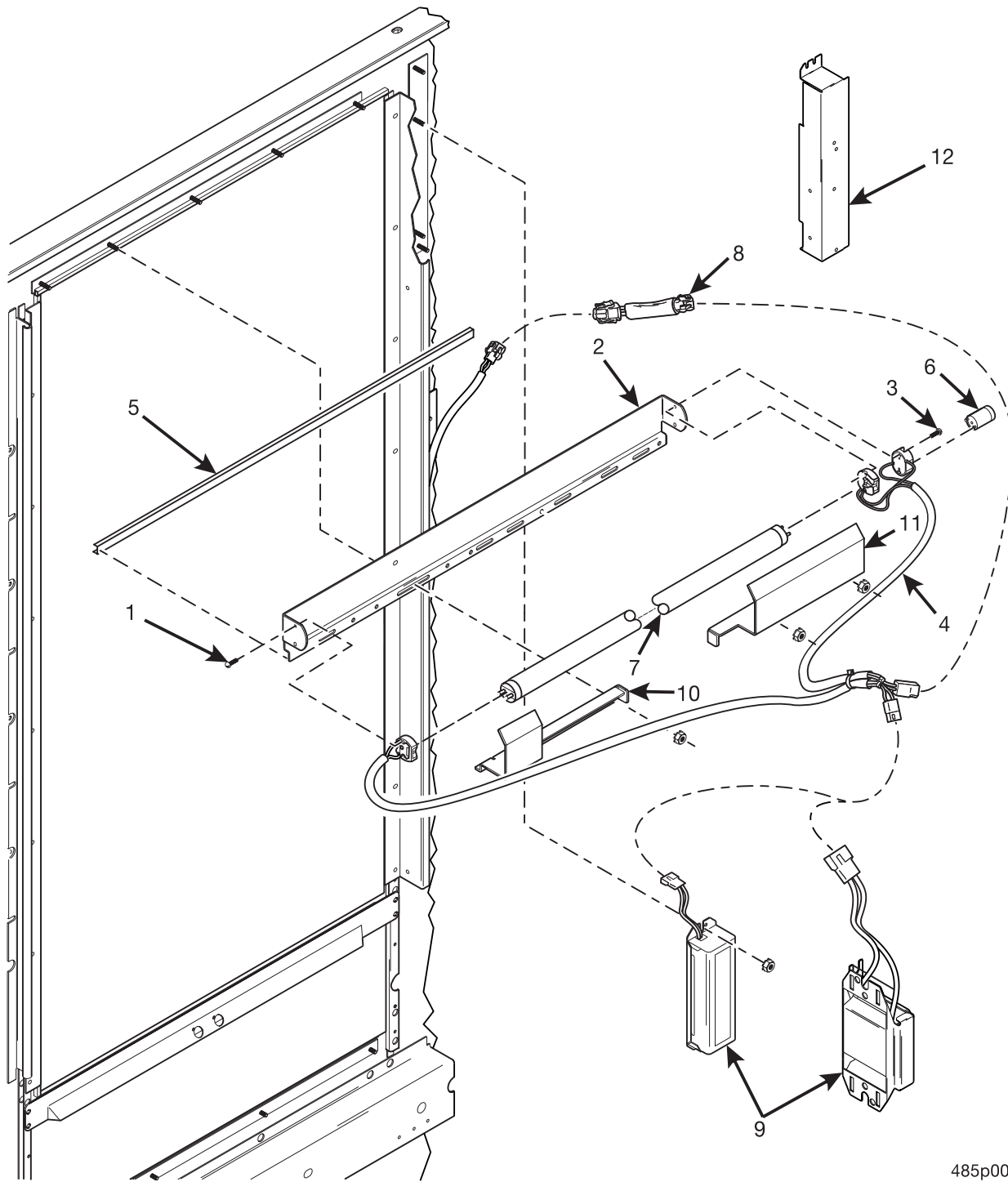
497p0090

Figure 31. Coin Receptacle Assemblies



**TABLE 31. COIN RECEPTACLE ASSEMBLIES**

| <b>INDEX</b> | <b>PART NUMBER</b> | <b>DESCRIPTION</b>                           | <b>QTY.</b> |
|--------------|--------------------|--|-------------|
| 1            | 2302093            | SPACER - CUP                                 | 4           |
| 2            | 4042512            | SCREW - #8-32 X 1/2 - PHS - S/T              | 4           |
| 3            | 1572010            | CUP - COIN RETURN                            | 1           |
| 4            | 4245082            | GATE - COIN RETURN                           | 1           |
| 5            | 4245083            | SPRING - COIN RETURN DOOR                    | 1           |
| 6            | 4245084            | SHAFT - DOOR - COIN RETURN                   | 1           |
| 7            | 1572011            | TRIM - COIN CUP - BLACK (STANDARD DOOR ONLY) | 1           |



485p0009

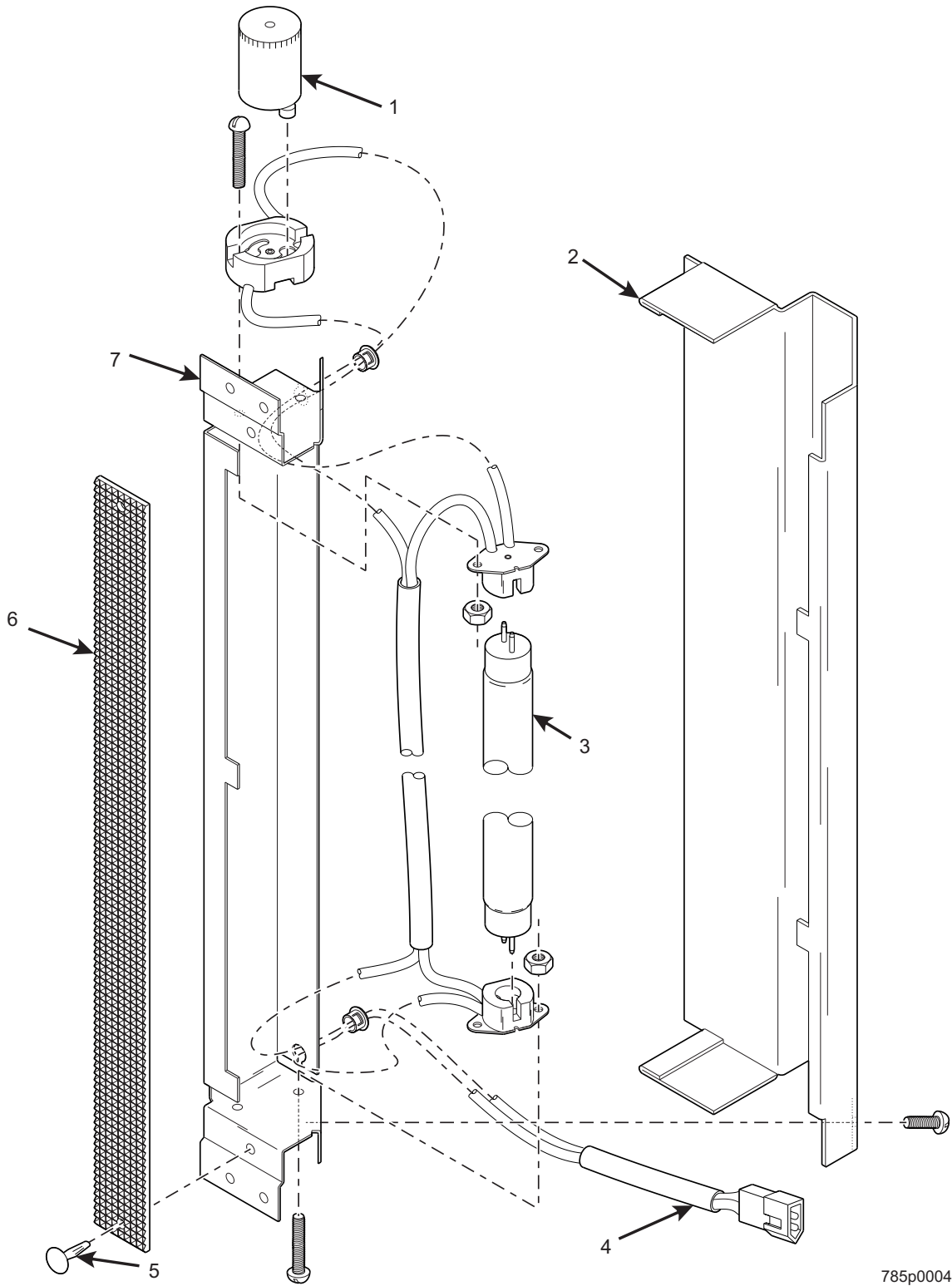
Figure 32. Light Assembly - Upper Door



## Refreshment Center 3 Parts Manual

TABLE 32. LIGHT ASSEMBLY - UPPER DOOR

| INDEX  | PART NUMBER | DESCRIPTION  | QTY. |
|--|-------------|--|------|
| -  | 1702003     | LIGHT ASSEMBLY-UPPER-DOOR (20W) (120V/230V MODELS)       | 1    |
| 1  | 1452046     | SCREW - 4-36 X .437 RHS                                  | 1    |
| 2  | 1582025     | BRACKET - LIGHT - COMMON - 20W                           | 1    |
| 3  | 3107171     | SCREW - #4-36X5.8 RHS                                    | 2    |
| 4  | 1709015     | HARNESS - DOOR - FLUOR. LIGHT                            | 1    |
| <b>THE FOLLOWING ITEMS ARE NOT PART OF THE LIGHT ASSEMBLIES:</b> |             |  |      |
| 5  | 1582085     | SPACER - LIGHT BRACKET (MILLENNIA STYLE ONLY)            | 1    |
| 6  | 2222095     | STARTER (20W)  | 1    |
| 7  | 1122138     | FLUORESCENT LAMP (20W)                                   | 1    |
| 8  | 1451124     | SUPPRESSION NETWORK ASSEMBLY (ALL 120V MODELS)           | 1    |
| 8  | 6332010     | SUPPRESSION NETWORK ASSEMBLY (ALL 230V MODELS)           | 1    |
| 9  | 3151058     | BALLAST-120V   | 1    |
| 9  | 1572016     | BALLAST - 230V   | 1    |
| 10   | 1572044     | COVER - LIGHT SOCKET - RIGHT (U.K., FR, GER)             | 1    |
| 11   | 1572045     | COVER - LIGHT SOCKET - LEFT (U.K., FR, GER)              | 1    |
| 12   | 6332048     | COVER - COMMON - EUROPE (COVERS BALLAST) (U.K., FR, GER) | 1    |



785p0004

Figure 33. Fluorescent Side Light Assembly



## Refreshment Center 3 Parts Manual

TABLE 33. FLUORESCENT SIDE LIGHT ASSEMBLY

| INDEX | PART NUMBER | DESCRIPTION                       | QTY. |
|-------|-------------|-----------------------------------|------|
| -     | 1572023     | FLUORESCENT SIDE LIGHT ASSEMBLY   | 1    |
| 1     | 1212148     | FLUORESCENT STARTER FS 5          | 1    |
| 2     | 4852049     | COVER - LIGHT                     | 1    |
| 3     | 2146059     | LAMP - FLUORESCENT 8 WATT F8T5/CW | 1    |
| 4     | 4849008     | HARNESS - FLST. LT. - FOOD MODULE | 1    |
| 5     | 4042556     | CANOE CLIP                        | 2    |
| 6     | 4842004     | DIFFUSER - LIGHT                  | 1    |
| 7     | 4842015     | HOUSING - LIGHT - COMMON          | 1    |

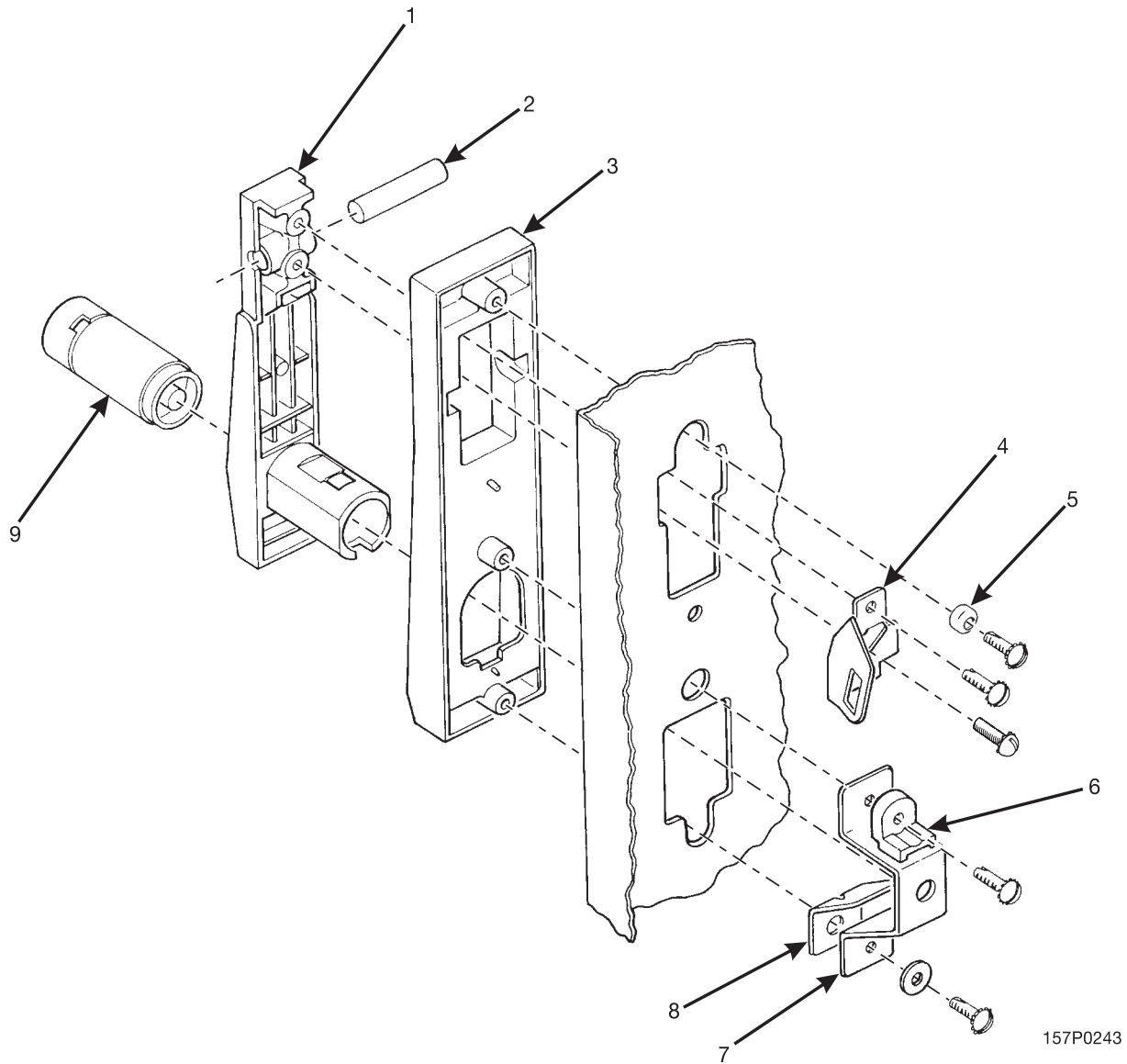


Figure 34. Door Lock and Handle Assembly (Standard Styling)

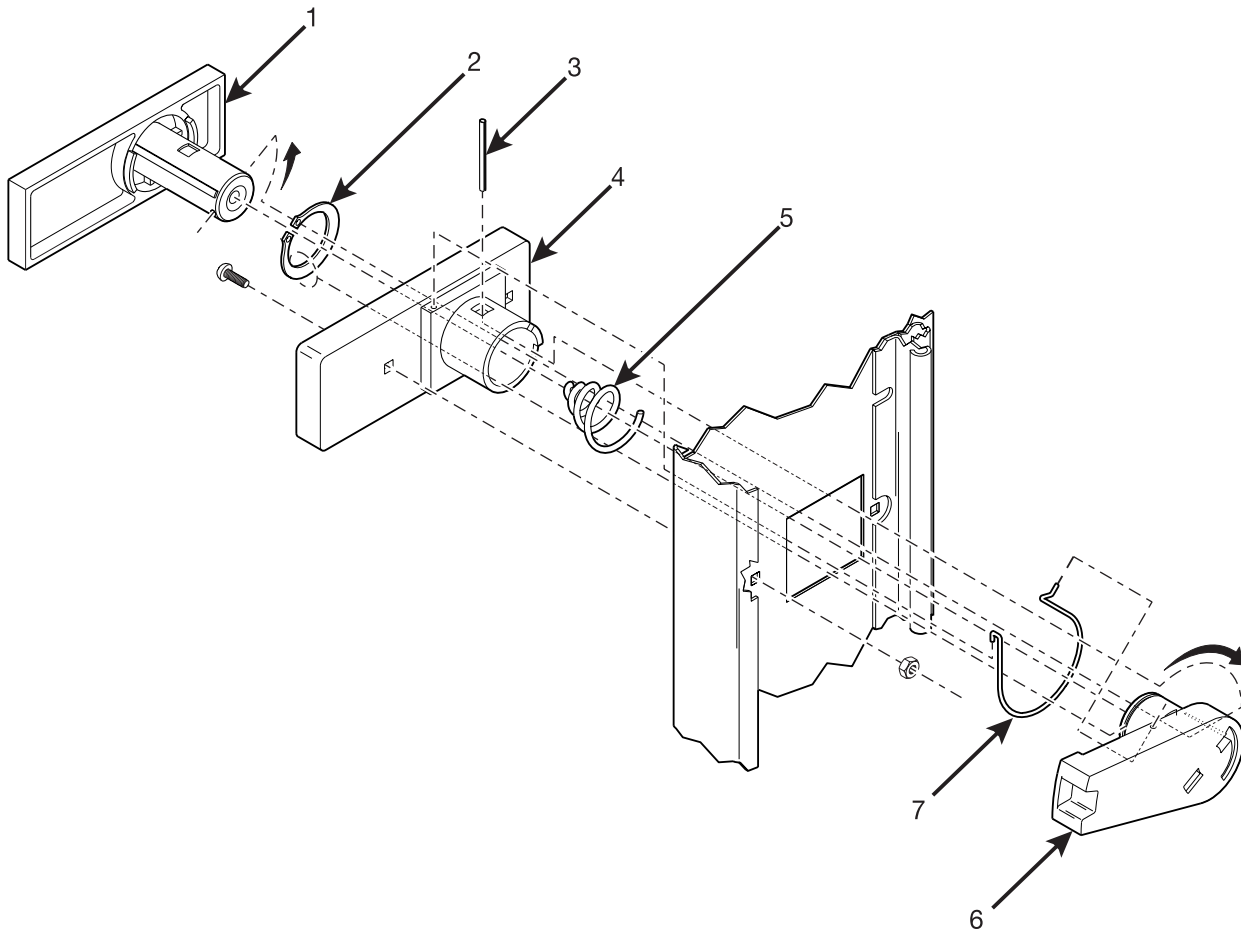




## Refreshment Center 3 Parts Manual

TABLE 34. DOOR LOCK AND HANDLE ASSEMBLY (STANDARD STYLING)

| INDEX | PART NUMBER | DESCRIPTION                      | QTY. |
|-------|-------------|----------------------------------|------|
| 1     | 1172190     | LEVER - LOCK                     | 1    |
| 2     | 1302291     | PIVOT - LEVER LOCK               | 1    |
| 3     | 1172191     | BASE - LEVER LOCK                | 1    |
| 4     | 2272052     | ACTUATOR ASSEMBLY - LOCK BAR     | 1    |
| 5     | 1302289     | CUP SPACER                       | 1    |
| 6     | 1302326     | SHIELD - LATCH                   | 1    |
| 7     | 1302324     | CATCH - DOOR LATCH               | 1    |
| 8     | 1302290     | LATCH - LOCK LOWER               | 1    |
| 9     | 9992400     | CYLINDER - LOCK                  | OPT  |
|       | 3112163     | VAN LOCK                         |      |
| -     | 3112164     | KEY (NOT SHOWN)                  | 1    |
|       |             | VAN LOCK APPLICATION (NOT SHOWN) | OPT  |

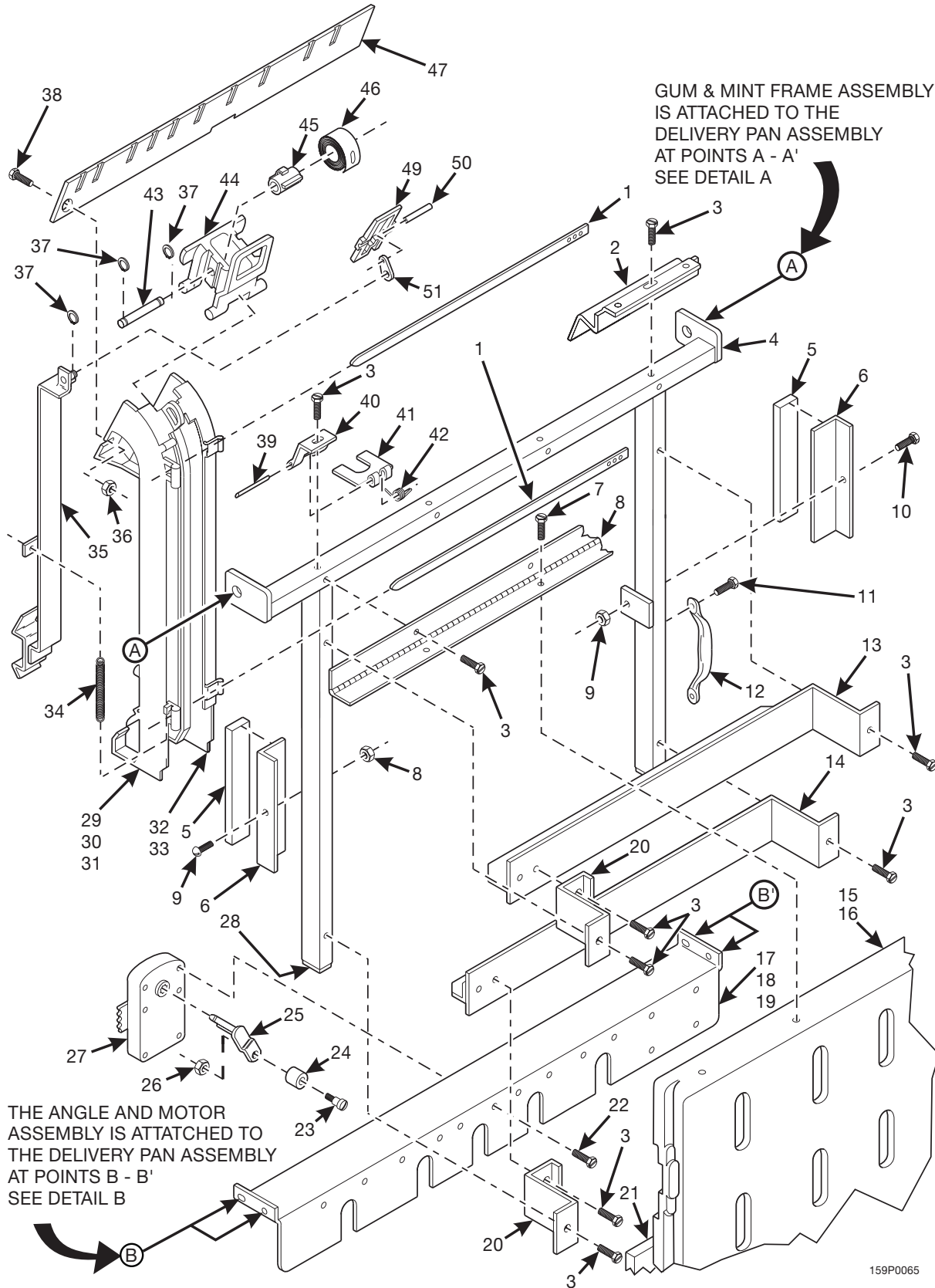


497p0029

Figure 35. Door Lock and Handle Assembly (Millennia Styling)

TABLE 35. DOOR LOCK AND HANDLE ASSEMBLY (MILLENNIA STYLING)

| INDEX | PART NUMBER | DESCRIPTION                    | QTY. |
|-------|-------------|--------------------------------|------|
| -     | 1572395     | LOCK ASSEMBLY - MILLENNIA      | 1    |
| 1     | 1572397     | LEVER - HANDLE                 | 1    |
| 2     | 1572199     | RETAINING RING - LOCK ACTUATOR | 1    |
| 3     | 6104218     | ROLL PIN - 1/8 X 1 IN.         | 1    |
| 4     | 1572396     | BASE - LOCK HANDLE             | 1    |
| 5     | 1572203     | SPRING - LOCK                  | 1    |
| 6     | 1572398     | ACTUATOR - LOCK BAR            | 1    |
| 7     | 1572204     | SPRING - LIFT - ACTUATOR       | 1    |



159P0065

Figure 36. Gum and Mint Assembly



## Refreshment Center 3 Parts Manual

TABLE 36. GUM AND MINT ASSEMBLY

| INDEX | PART NUMBER | DESCRIPTION                              | QTY. |
|-------|-------------|--|------|
| -     | 1587000     | GUM & MINT COLUMN                        | -    |
| 1     | 1479096     | RETAINER                                 | 3    |
| 2     | 1479103     | FILLER - GUM & MINT                      | 2    |
| 3     | 1451097     | SCREW - #8-32 X .31 HEX HD. TF - BLK     | -    |
| 4     | 1489008     | FRAME ASSEMBLY - GUM & MINT              | 1    |
| 5     | 3122056     | MAGNET RETAINER - COIN CHANGER           | 2    |
| 6     | 1479117     | ANGLE - MAGNET                           | 2    |
| 7     | 1437207     | SCREW                                    | 4    |
| 8     | 1479104     | HINGE - COVER                            | 1    |
| 9     | 1412046     | 8-32 NUT MF 23TW832 BLOX                 | 2    |
| 10    | 9900201     | SCREW #8-32 X 5/16 RHS SEMS MACH ZINC    | 2    |
| 11    | 4041053     | SCREW #10-32 X 3/8 PHS T/C W/LW          | 2    |
| 12    | 1479139     | PULL - DOOR                              | 1    |
| 13    | 1479089     | SUPPORT ASSEMBLY - MAGAZINE - UPPER      | 1    |
| 14    | 1479092     | SUPPORT ASSEMBLY - MAGAZINE - LOWER      | 1    |
| 15    | 1479125     | COVER ASSEMBLY                           | 1    |
| 16    | 1479124     | LABEL - LOADING - GUM & MINT (NOT SHOWN) | 1    |
| 17    | 1489005     | ANGLE - MOTOR                            | 1    |
| 18    | 6131143     | CABLE CLAMP RICHCO #KKC6                 | 2    |
| 19    | 1452139     | (NRI15590-6) CABLE CLIP #805-3M          | 1    |
| 20    | 1479095     | BRACKET - MAGAZINE                       | 2    |
| 21    | 1479119     | MAGNET - RETAINER                        | 2    |
| 22    | 1457027     | 8-32 X .81 HHSI TAPTITE Z/Y              | 10   |
| 23    | 1479062     | STUD - DRIVE ARM                         | 5    |
| 24    | 1479063     | ROLLER - DRIVE ARM                       | 5    |
| 25    | 1479145     | ARM - DRIVE MOTOR                        | 5    |
| 26    | 9900081     | NUT #8-32 KEPS ZINC PLATE                | 5    |
| 27    | 1577035     | MOTOR & PCB ASSEMBLY                     | 5    |
| 28    | 1479120     | CAPLUG - REC. 1/2 X 1                    | 2    |
| 29    | 1479076     | CHANNEL - GUM & MINT - RIGHT - SMALL     | 3    |
| 30    | 1479077     | CHANNEL - GUM & MINT - RIGHT - LARGE     | 2    |
| 31    | 1572140     | LABEL - LOADING LINE - GUM & MINT        | 1    |
| 32    | 1479075     | CHANNEL - GUM & MINT - LEFT              | 5    |
| 33    | 1479064     | SPACER - COLUMN - GUM & MINT             | 2    |
| 34    | 4246307     | SPRING - HORIZONTAL SELECTOR ARM         | 5    |
| 35    | 1479123     | DRIVE BAR & STUD ASSEMBLY                | 5    |
| 36    | 9900081     | NUT #8-32 KEPS ZINC PLATE                | 1    |
| 37    | 9900425     | RETAINING RING REINF E TYP. 250          | 15   |

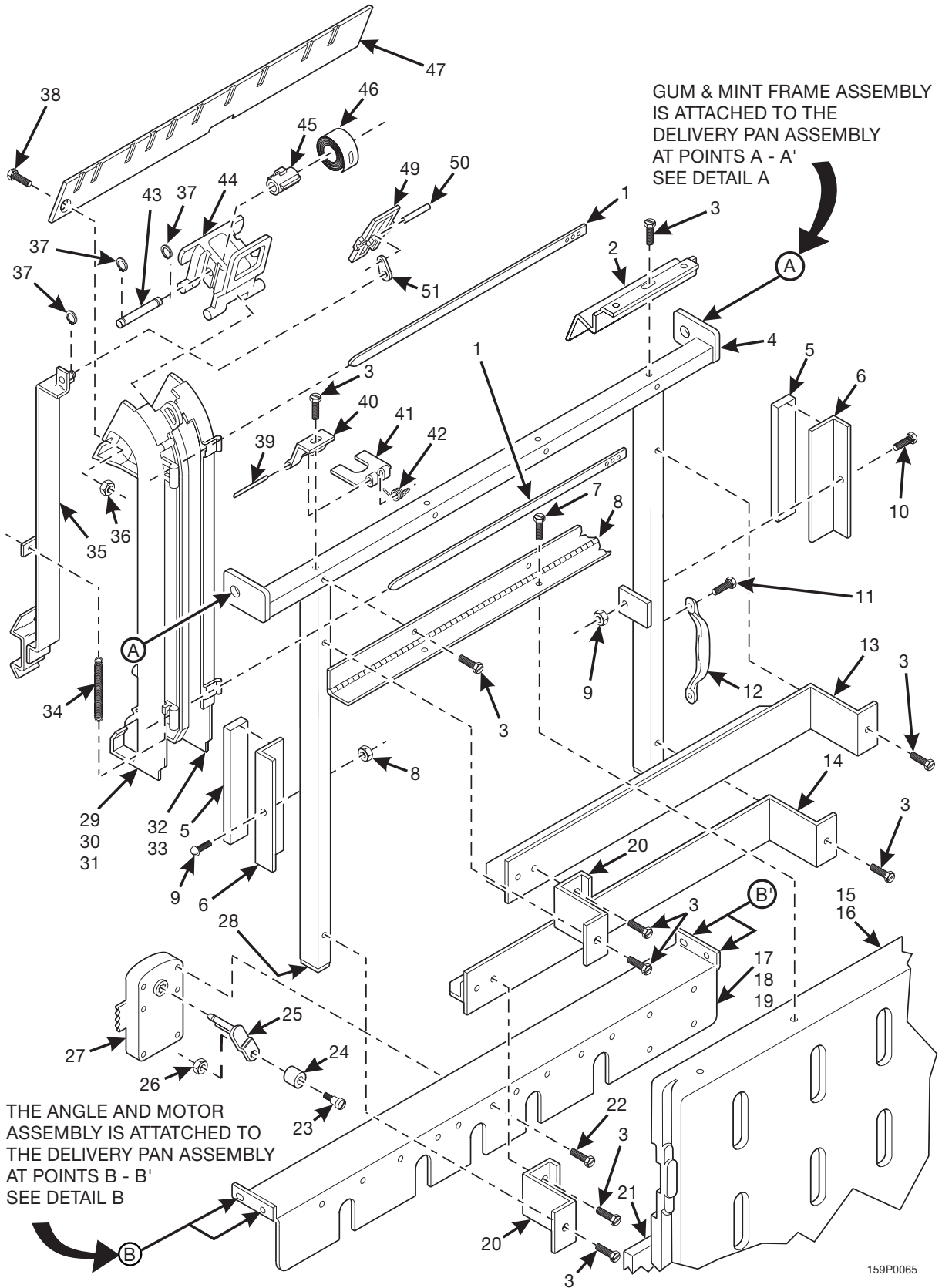


Figure 36. Gum and Mint Assembly (Continued)



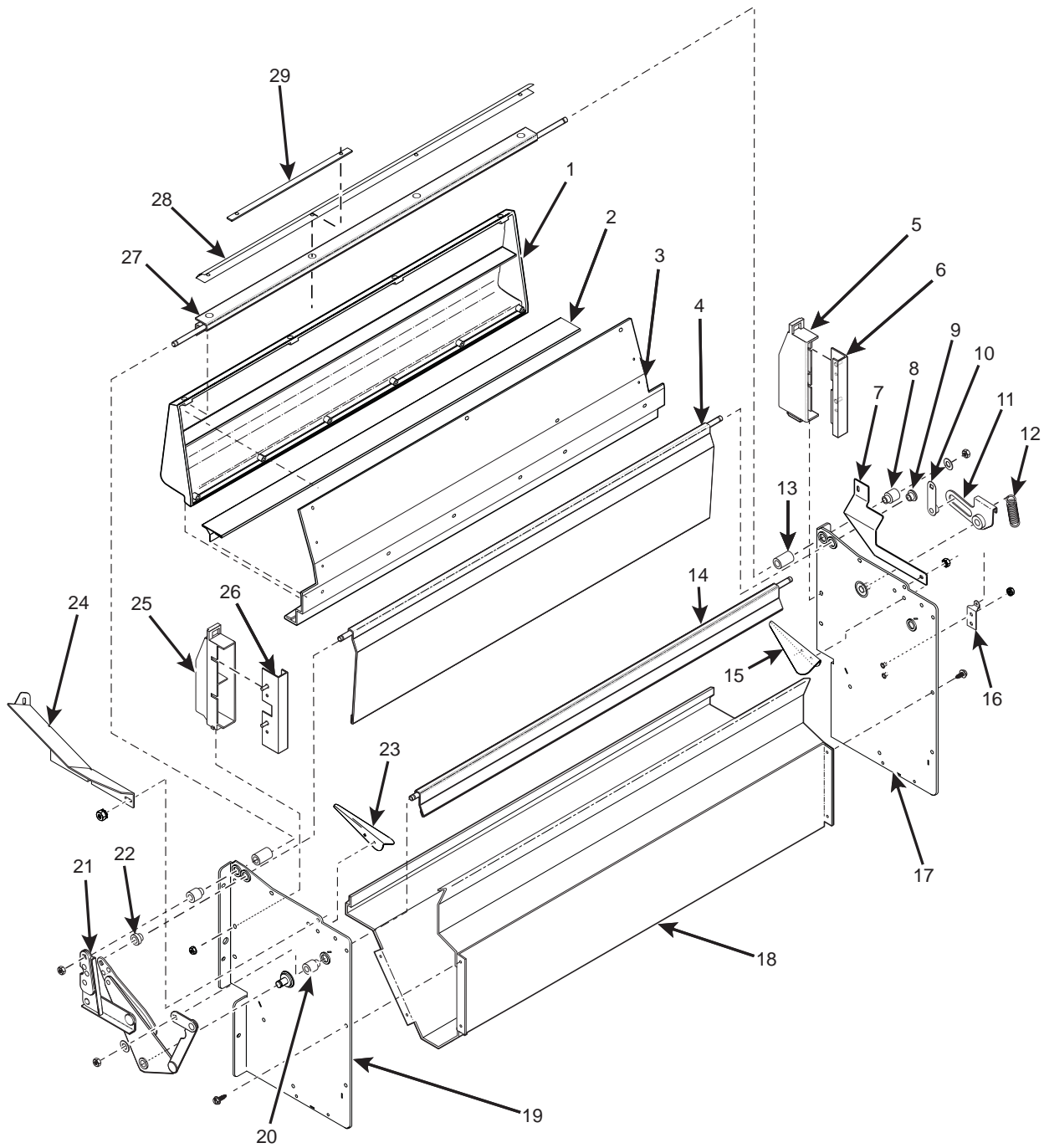
# Refreshment Center 3 Parts Manual

**TABLE 36. GUM AND MINT ASSEMBLY (CONTINUED)**

| INDEX | PART NUMBER | DESCRIPTION                      | QTY. |
|-------|-------------|----------------------------------|------|
| 38    | 9900020     | SCREW #8-32 X ½ RHS MACH. ZINC   | 1    |
| 39    | 1479083     | PIN - HINGE                      | 5    |
| 40    | 1479082     | HINGE - BACK                     | 5    |
| 41    | 1479081     | HINGE - FRONT                    | 5    |
| 42    | 1479084     | SPRING - HINGE                   | 5    |
| 43    | 1479099     | PIN - PUSHER                     | 5    |
| 44    | 1479079     | PUSHER                           | 5    |
| 45    | 1479080     | SPOOL - SPRING                   | 5    |
| 46    | 1479106     | SPRING - PUSHER                  | 5    |
| 47    | 1479105     | WINDOW - GUM & MINT              | 1    |
| 48    | 1479078     | EJECTOR - GUM & MINT             | 5    |
| 49    | 1479098     | PIN - EJECTOR                    | 5    |
| 50    | 1479097     | LINK - EJECTOR                   | 5    |
| 51    | 1579012     | HARNESS - GUM & MINT (NOT SHOWN) | 1    |

**THE FOLLOWING ARE AVAILABLE AS ASSEMBLIES:**

| PART NUMBER | DESCRIPTION   |
|-------------|---|
| 1489004     | ANGLE & MOTOR ASSEMBLY (USES INDEX NUMBERS 16, 17, 21-26 & 28)                            |
| 1489006     | MAGAZINE ASSEMBLY - GUM & MINT (INCLUDES INDEX NUMBERS 2, 3, 5, 8, 15, 16, 20, 23, 29-50) |
| 1479126     | ARM & ROLLER ASSEMBLY (INCLUDES INDEX NUMBERS 23 - 26)                                    |



157P0264

Figure 37. Delivery Pan Assembly





## Refreshment Center 3 Parts Manual

**TABLE 37. DELIVERY PAN ASSEMBLY**

| INDEX | PART NUMBER | DESCRIPTION   | QTY. |
|-------|-------------|---|------|
| -     | 1572354     | DELIVERY PAN ASSEMBLY - 38" (167, 267, 764)                   | 1    |
|       | 1582134     | DELIVERY PAN ASSEMBLY - 32" (168, 268, 765, 784, 787)         |      |
| 1     | 1572053     | DOOR - DELIVERY - 38" (167, 267, 764)                         | 1    |
|       | 1582080     | DOOR - DELIVERY - 32" (168, 268, 765, 784, 787)               |      |
| 2     | 1572280     | FILLER - FRONT - 38" (167, 267, 764)                          | 1    |
|       | 1582127     | FILLER - FRONT - 32" (168, 268, 765, 784, 787)                |      |
| 3     | 1572289     | BACK - DELIVERY DOOR - 38" (167, 267, 764)                    | 1    |
|       | 1582126     | BACK - DELIVERY DOOR - 32" (168, 268, 765, 784, 787)          |      |
| 4     | 1572415     | DOOR ASSEMBLY - PILFERAGE - 38" (167, 267, 764)               | 1    |
|       | 1582219     | DOOR ASSEMBLY - PILFERAGE - 32" (168, 268, 765, 784, 787)     |      |
| 5     | 1572229     | FILLER - LEFT HAND  | 1    |
| 6     | 1572301     | CHANNEL & STUD ASSEMBLY - L.H.                                | 1    |
| 7     | 1572390     | DEFLECTOR - L.H. - 38" (167, 267, 764)                        | 1    |
| 8     | 1572416     | SLEEVE - DELIVERY DOOR  | 2    |
| 9     | 1572418     | SLEEVE - PILFER & REAR DR. - L.H                              | 2    |
| 10    | 1572353     | ARM ASSEMBLY - SPRING ASSIST                                  | 1    |
| 11    | 1572423     | ACTUATOR ASSEMBLY. - SPRING ASSIST                            | 1    |
| 12    | 1572420     | SPRING  | 1    |
| 13    | 1572315     | SPACER - DELIVERY DOOR  | 2    |
| 14    | 1572388     | DOOR ASSEMBLY - REAR - 38" (167, 267, 764)                    | 1    |
|       | 1582146     | DOOR ASSEMBLY - REAR - 32" (168, 268, 765, 784, 787)          |      |
| 15    | 1572322     | DEFLECTOR - INNER - L.H.                                      | 1    |
| 16    | 1572421     | ANCHOR - SPRING   | 1    |
| 17    | 1572425     | SIDE PLATE ASSEMBLY - R.H.                                    | 1    |
| 18    | 1572391     | WELD ASSEMBLY - DELIVERY PAN - 38" (167, 267, 764)            | 1    |
|       | 1582148     | WELD ASSEMBLY - DELIVERY PAN - 32" (168, 268, 765, 784, 787)  |      |
| 19    | 1572424     | SIDE PLATE ASSEMBLY - L.H.                                    | 1    |
| 20    | 1572409     | SPACER - SHAFT  | 1    |
| 21    | 1572410     | LINKAGE ASSEMBLY - R.H.                                       | 1    |
| 22    | 1572417     | SLEEVE - PILFER & REAR DR. - R.H                              | 2    |
| 23    | 1572321     | DEFLECTOR - INNER - R.H.                                      | 1    |
| 24    | 1572029     | DEFLECTOR - PRODUCT - R.H.                                    | 1    |
| 25    | 1572230     | FILLER - RIGHT HAND   | 1    |
| 26    | 1572300     | CHANNEL & STUD ASSEMBLY - R.H.                                | 1    |
| 27    | 1572447     | CHANNEL ASSEMBLY - 38" - (167, 267, 764)                      | 1    |
|       | 1582231     | CHANNEL ASSEMBLY - 32" - (168, 268, 765, 784, 787)            |      |
| 28    | 1572448     | GUARD - DELIVERY DOOR - UPPER - 38" (167, 267, 764)           | 1    |
|       | 1582232     | GUARD - DELIVERY DOOR - UPPER - 32" (168, 268, 765, 784, 787) |      |
| 29    | 1572449     | STRIP - THREADED - 38" (167, 267, 764)                        | 2    |
|       | 1582233     | STRIP - THREADED - 32" (168, 268, 765, 784, 787)              |      |

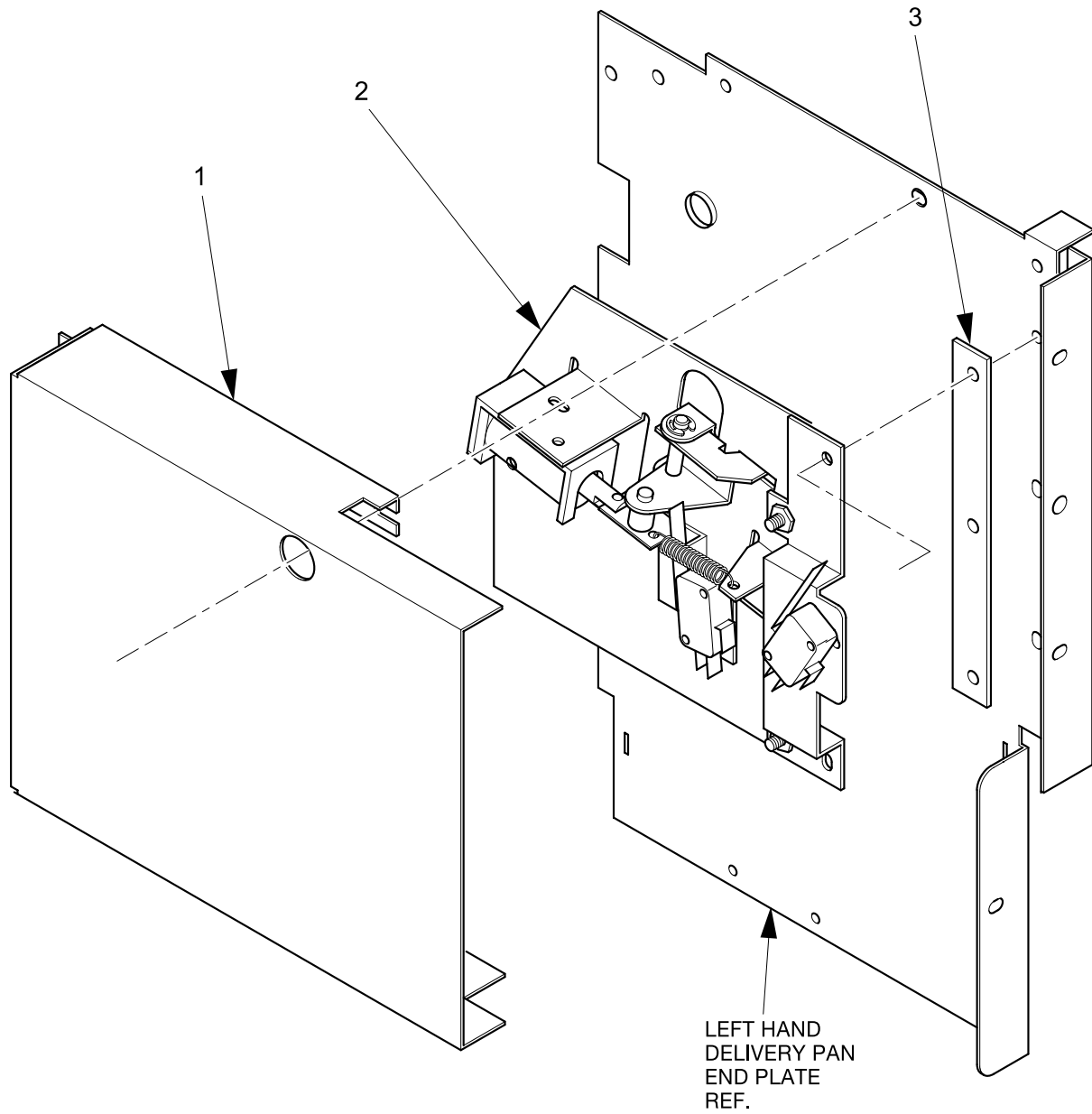
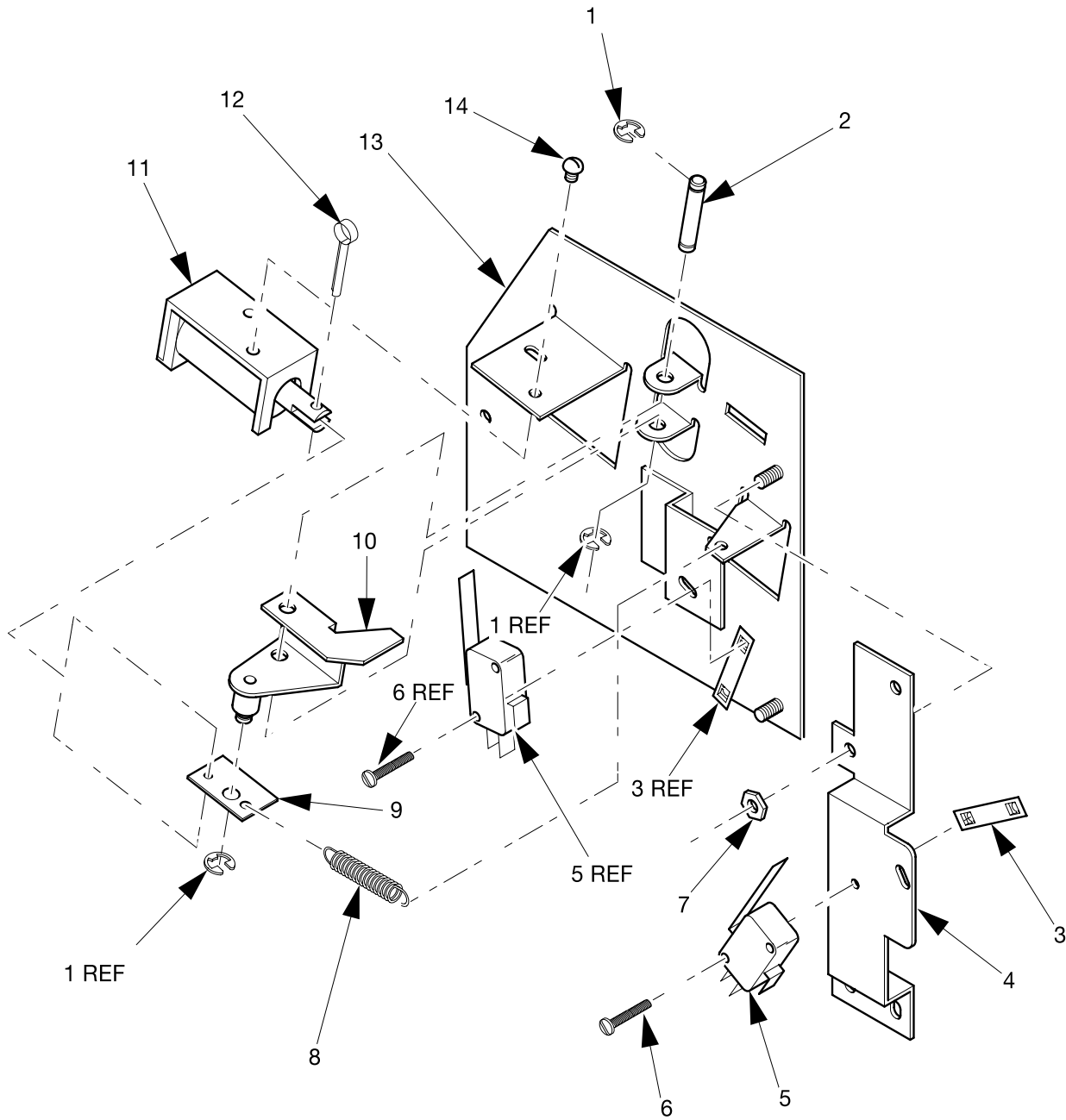


Figure 38. Delivery Pan Assembly Door Lock Mechanism - Part 1 of 2 (Food Module Equipped Machines Only)



**TABLE 38. DELIVERY PAN ASSEMBLY DOOR LOCK MECHANISM - PART 1 OF 2 (FOOD MODULE EQUIPPED MACHINES ONLY)**

| INDEX | PART NUMBER | DESCRIPTION   | QTY. |
|-------|-------------|---|------|
| 1     | 4402027     | COVER - LATCH MECHANISM                                   | 1    |
| 2     | 1572268     | LATCH MOUNTING PLATE ASSEMBLY (SEE FIGURE 39 FOR DETAILS) | 1    |
| 3     | 1572265     | SPACER - SOLENOID LOCK                                    | 2    |



467p0008

Figure 39. Delivery Pan Assembly Door Lock Mechanism - Part 2 of 2 (Food Module Equipped Machines Only))



## Refreshment Center 3 Parts Manual

**TABLE 39. DELIVERY PAN ASSEMBLY DOOR LOCK MECHANISM - PART 2 OF 2 (FOOD MODULE EQUIPPED MACHINES ONLY)**

| INDEX | PART NUMBER | DESCRIPTION                            | QTY. |
|-------|-------------|--|------|
| 1     | 9900418     | RETAINING RING - REINF "E" TYPE - .187 | 3    |
| 2     | 4402022     | PIN - LATCH                            | 1    |
| 3     | 4302316     | FASTENER - TWIN TYPE                   | 2    |
| 4     | 1572264     | BRACKET - SWITCH MOUNTING              | 1    |
| 5     | 4302319     | SWITCH - LEVER - 1 7/8                 | 2    |
| 6     | 1217160     | 4-40 X 5/8 RMS M SCREW Z/Y             | 4    |
| 7     | 9900081     | NUT - #8-32 KEPS Z/P                   | 2    |
| 8     | 1127808     | SPRING - SHELF RESET                   | 1    |
| 9     | 4402047     | LINK - SOLENOID                        | 1    |
| 10    | 4402023     | LATCH AND STUD ASSEMBLY                | 1    |
| 11    | 4252030     | SOLENOID - 24 VDC                      | 1    |
| 12    | 9900098     | COTTER PIN - 3/32 X 3/4 INCH           | 1    |
| 13    | 1572266     | PLATE AND BRACKET ASSEMBLY             | 1    |
| 14    | 9900090     | SCREW - #6-32 X 3/16 RHS W/LKW         | 2    |

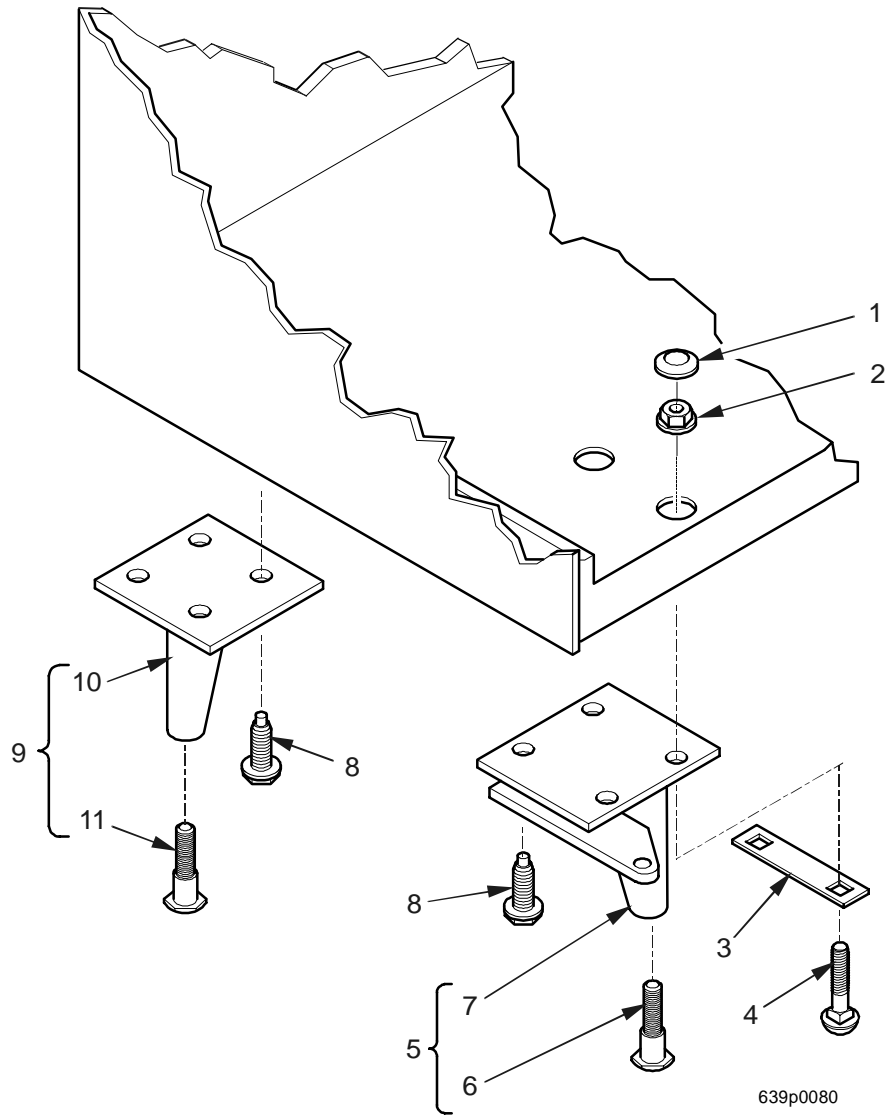


Figure 42. Leg, Leveler, and Leg and Hinge Assemblies  
Figure 39. Delivery Pan Assembly (Continued)

**TABLE 42. LEG, LEVELER, AND LEG AND HINGE ASSEMBLIES**

| INDEX | PART NUMBER | DESCRIPTION                                | QTY. |
|-------|-------------|--|------|
| 1     | 6231034     | PLUG - HOLE (NOT USED IN ALL APPLICATIONS) | 2    |
| 2     | 1172021     | NUT - 1/4-20 WHIZ-LOCK                     | 2    |
| 3     | 6231203     | PLATE - HINGE LEG BOLT                     | 1    |
| 4     | 1211112     | TRAY BOLT                                  | 2    |
| 5     | 6231163     | LEG, HINGE, AND LEVELER ASSEMBLY           | 1    |
| 6     | 1471098     | LEVELER - CABINET                          | 1    |
| 7     | 1571115     | LEG AND HINGE ASSEMBLY                     | 1    |
| 8     | 9900218     | SCREW - # 5/16 X 1 W/LOCKING RING          | 14   |
| 9     | 1471237     | LEG AND LEVELER ASSEMBLY - CABINET         | 3    |
| 10    | 1571127     | LEG ASSEMBLY - CABINET                     | 1    |
| 11    | 1471098     | LEVELER - CABINET                          | 1    |



**TABLE 41. BAG ASSEMBLY B4840001 (110 V MODELS 785 & 786 WITH CAN)**

| PART NUMBER | DESCRIPTION   | QTY |
|-------------|---|-----|
| 1477015     | ROLL - PRICE DOLLARS                                    | 2   |
| 1477071     | PACKAGE ASSEMBLY - PRODUCT PUSHER (10 EA.)              | 1   |
| 1477083     | RETAINER - SPIRAL - WALL                                | 10  |
| 1577047     | LABEL - ITEM LETTERS A0 - A9                            | 1   |
| 1577048     | LABEL - ITEM LETTERS B0 - B9                            | 1   |
| 1577049     | LABEL - ITEM LETTERS C0 - C9                            | 1   |
| 1577050     | LABEL - ITEM LETTERS D0 - D9                            | 1   |
| 1577051     | LABEL - ITEM LETTERS E0 - E9                            | 1   |
| 1577052     | LABEL - ITEM LETTERS F0 - F9                            | 1   |
| 3158008     | ELBOW W/TAPE ASSEMBLY                                   | 1   |
| 3158026     | LABEL - EVERPURE - SMALL - 7001-07                      | 1   |
| 4747091     | FLAVOR STRIPS - 10 (INCLUDES 10 STYLE C4 FLAVOR STRIPS) | 1   |
| 4747097     | PROD. ID LABEL / FLAVR STRIP INSTR.                     | 1   |
| 4752148     | LABEL - COVER UP - H.W. - U.K.                          | -   |
| 4850040     | DOCUMENTATION PACKAGE                                   | 1   |
| 4850042     | LIST - BAG ASSEMBLY B4850001 - CONTENT                  | 1   |
| 4850050     | WIRING DIAGRAM PACKAGE - 115V - DOMESTIC - CAN          | 1   |

Figure 37. Delivery Pan Assembly (Continued)





## Refreshment Center 3 Parts Manual

TABLE 42. BAG ASSEMBLY B4850008 (100 V MODELS 785 & 786 WITH FOOD)

| PART NUMBER | DESCRIPTION   | QTY |
|-------------|---|-----|
| 1477014     | ROLL - PRICE CENTS                                    | 12  |
| 1477015     | ROLL - PRICE DOLLARS                                  | 12  |
| 1477083     | RETAINER - SPIRAL - WALL                              | 10  |
| 1577047     | LABEL - ITEM LETTERS - A0 - A9                        | 1   |
| 1577048     | LABEL - ITEM LETTERS - B0 - B9                        | 1   |
| 1577049     | LABEL - ITEM LETTERS - C0 - C9                        | 1   |
| 1577050     | LABEL - ITEM LETTERS - D0 - D9                        | 1   |
| 1577051     | LABEL - ITEM LETTERS - E0 - E9                        | 1   |
| 1577052     | LABEL - ITEM LETTERS - F0 - F9                        | 1   |
| 3158008     | ELBOW W/TAPE ASSEMBLY                                 | 1   |
| 3158026     | LABEL - EVERPURE - SMALL - 7001-07                    | 1   |
| 4407728     | LABEL - SOLD OUT                                      | 1   |
| 4407732     | ADAPTOR ASSEMBLY - BOXED ITEM (INCLUDES NEXT 2 ITEMS) | 1   |
| 4407729     | ROLLER & SHAFT ASSEMBLY ASSEMBLY - PUSHER             | 1   |
| 4407733     | INSTR. ADAPTOR - BOXED ITEM                           | 1   |
| 4612001     | DECAL - "CHILLED FOR FRESHNESS"                       | 1   |
| 4752148     | LABEL - COVER UP - H.W. - U.K.                        | -   |
| 4850040     | DOCUMENTATION PACKAGE                                 | 1   |
| 4850049     | LIST - BAG ASSEMBLY B4850008 - CONTENT                | 1   |
| 4850051     | WIRING DIAGRAM PACKAGE - 115V - DOMESTIC - FOOD       | 1   |



**TABLE 43. BAG ASSEMBLY B4850001 (MODELS 785 & 786 WITH NO FOOD OR CAN OPTION)**

| PART NUMBER | DESCRIPTION   | QTY |
|-------------|---|-----|
| 1477015     | ROLL - PRICE DOLLARS                                    | 2   |
| 1477071     | PACKAGE ASSEMBLY - PRODUCT PUSHER (10 EA.)              | 1   |
| 1477083     | RETAINER - SPIRAL - WALL                                | 10  |
| 1577047     | LABEL - ITEM LETTERS - A0-A9                            | 1   |
| 1577048     | LABEL - ITEM LETTERS - B0-B9                            | 1   |
| 1577049     | LABEL - ITEM LETTERS - C0-C9                            | 1   |
| 1577050     | LABEL - ITEM LETTERS - D0-D9                            | 1   |
| 1577051     | LABEL - ITEM LETTERS - E0-E9                            | 1   |
| 1577052     | LABEL - ITEM LETTERS - F0-F9                            | 1   |
| 3158008     | ELBOW W/TAPE - ½ IN.                                    | 2   |
| 3158026     | LABEL - EVERPURE - SMALL - 7001-07                      | 1   |
| 4747091     | FLAVOR STRIPS - 10 (CONTAINS 10 STYLE C4 FLAVOR STRIPS) | 1   |
| 4747097     | PROD. ID LBL/FLAVR STRIP INSTR.                         | 1   |
| 4752148     | LABEL - COVER UP - H.W. - U.K.                          | -   |
| 4850040     | DOCUMENTATION PACKAGE                                   | 1   |
| 4850042     | LIST - BAG ASSEMBLY B4850001 - CONTENT                  | 1   |
| 4850050     | WIRING DIAGRAM PACKAGE - 115V - DOMESTIC - CAN          | 1   |
| 4247014     | RIVET - ACCORDIAN PC47308-VZ001                         | 6   |
| 4850064     | INSTRUCTION SHEET - QUICK START                         | 1   |



## Refreshment Center 3 Parts Manual

**TABLE 44. BAG ASSEMBLY B4880007 (U.K. MODELS 788 & 789)**

| <b>PART NUMBER</b> | <b>DESCRIPTION</b>                                      | <b>QTY</b> |
|--------------------|---|------------|
| 1472273            | PRICE ROLL - UK - IL/10L, 40P/95P                       | 5          |
| 1472274            | PRICE ROLL - UK - IL/10L, 8P/35P                        | 32         |
| 1477071            | PACKAGE ASSEMBLY - PRODUCT PUSHER (10 EA.)              | 1          |
| 1477083            | RETAINER - SPIRAL - WALL                                | 10         |
| 1572205            | ROLL - PRICE - UK - 36P TO 62P + FREE                   | 10         |
| 1572206            | ROLL - PRICE - UK - 63P TO 90P                          | 3          |
| 1572412            | KIT - WIRE BLOCK  | 1          |
| 1577061            | LABEL - ITEM LETTERS - A0-A9 - U.K.                     | 1          |
| 1577062            | LABEL - ITEM LETTERS - B0-B9 - U.K.                     | 1          |
| 1577063            | LABEL - ITEM LETTERS - C0-C9 - U.K.                     | 1          |
| 1577064            | LABEL - ITEM LETTERS - D0-D9 - U.K.                     | 1          |
| 1577065            | LABEL - ITEM LETTERS - E0-E9 - U.K.                     | 1          |
| 1577066            | LABEL - ITEM LETTERS - F0-F9 - U.K.                     | 1          |
| 3158008            | ELBOW W/TAPE ASSEMBLY                                   | 1          |
| 3158026            | LABEL - EVERPURE - SMALL - 7001 - 07                    | 1          |
| 4612001            | DECAL - "CHILLED FOR FRESHNESS"                         | 1          |
| 4747091            | FLAVOR STRIPS - 10 (CONTAINS 10 STYLE C4 FLAVOR STRIPS) | 1          |
| 4747097            | PROD. ID LBL/FLAVR STRIP INSTR.                         | 1          |
| 4752148            | LABEL - COVER UP - H.W. - U.K.                          | -          |
| 4850040            | DOCUMENTATION PACKAGE                                   | 1          |
| 4880042            | LIST - BAG ASSEMBLY B4880007 - CONTENT                  | 1          |
| 4880050            | WIRING DIAGRAM PACKAGE - 220/240V - EXEC - FOOD         | 1          |



**TABLE 45. BAG ASSEMBLY B4880010 (FRENCH & GERMAN MODELS 788 & 789)**

| PART NUMBER | DESCRIPTION   | QTY |
|-------------|---|-----|
| 1572412     | KIT - WIRE BLOCK  | 1   |
| 1477083     | RETAINER - SPIRAL - WALL                                | 10  |
| 1477123     | PRICE ROLL - 0 TO 25 - U.K./GER/FR                      | 40  |
| 1577054     | LABEL - ITEM LETTERS - A0-A9 - GER                      | 1   |
| 1577055     | LABEL - ITEM LETTERS - B0-B9 - GER                      | 1   |
| 1577056     | LABEL - ITEM LETTERS - C0-C9 - GER                      | 1   |
| 1577057     | LABEL - ITEM LETTERS - D0-D9 - GER                      | 1   |
| 1577058     | LABEL - ITEM LETTERS - E0-E9 - GER                      | 1   |
| 1577059     | LABEL - ITEM LETTERS - F0-F9 - GER                      | 1   |
| 3158008     | ELBOW W/TAPE ASSEMBLY                                   | 1   |
| 3104030     | TEFLON TAPE -1/2 IN.                                    | 2   |
| 3108184     | ELBOW - 3/8 FLARE X 3/8 NPTF                            | 1   |
| 3158026     | LABEL - EVERPURE - SMALL - 7001-07                      | 1   |
| 4747091     | FLAVOR STRIPS - 10 (CONTAINS 10 STYLE C4 FLAVOR STRIPS) | 1   |
| 4747097     | PROD. ID LBL/FLAVR STRIP INSTR.                         | 1   |
| 4752150     | LABEL - COVER UP - H.W. - GER.                          | -   |
| 4752151     | LABEL - COVER UP - H.W. - FR.                           | -   |
| 4777801     | LABEL - SOLD OUT - GER.                                 | 1   |
| 4777803     | LABEL - SOLD OUT - FR.                                  | 1   |
| 4880040     | DOCUMENTATION PACKAGE                                   | 1   |
| 4880045     | LIST - BAG ASSEMBLY B4880010 - CONTENT                  | 1   |
| 4880050     | WIRING DIAGRAM PACKAGE - 220/240V - EXEC - FOOD         | 1   |



## Refreshment Center 3 Parts Manual

**TABLE 46. BAG ASSEMBLY B4880008 (U.K. MODELS 788 & 789 WITH FOOD)**

| PART NUMBER | DESCRIPTION                                    | QTY |
|-------------|--|-----|
| 1472273     | PRICE ROLL - UK - 1L/10L, 40P/95P              | 5   |
| 1472274     | PRICE ROLL - UK - 1L/10L, 8P/35P               | 32  |
| 1477071     | PACKAGE ASSEMBLY - PRODUCT PUSHER (10 EA.)     | 1   |
| 1477083     | RETAINER - SPIRAL - WALL                       | 10  |
| 1572205     | ROLL - PRICE - UK - 36P TO 62P + FREE          | 10  |
| 1572206     | ROLL - PRICE - UK - 63P TO 90P                 | 5   |
| 1572412     | KIT - WIRE BLOCK                               | 1   |
| 1577061     | LABEL - ITEM LETTERS - A0 - A9 - U.K.          | 1   |
| 1577062     | LABEL - ITEM LETTERS - B0 - B9 - U.K.          | 1   |
| 1577063     | LABEL - ITEM LETTERS - C0 - C9 - U.K.          | 1   |
| 1577064     | LABEL - ITEM LETTERS - D0 - D9 - U.K.          | 1   |
| 1577065     | LABEL - ITEM LETTERS - E0 - E9 - U.K.          | 1   |
| 1577066     | LABEL - ITEM LETTERS - F0 - F9 - U.K.          | 1   |
| 3158008     | ELBOW W/TAPE ASSEMBLY                          | 1   |
| 3158026     | LABEL - EVERPURE - SMALL - 7001-07             | 1   |
| 4407728     | LABEL - SOLD OUT                               | 1   |
| 4612001     | DECAL - "CHILLED FOR FRESHNESS"                | 1   |
| 4752148     | LABEL - COVER UP - H.W. - U.K.                 | -   |
| 4850040     | DOCUMENTATION PACKAGE                          | 1   |
| 4880043     | LIST - BAG ASSEMBLY B4880008 - CONTENT         | 1   |
| 4880050     | WIRING DIAGRAM PACKAGE - 220/240 - EXEC - FOOD | -   |



**TABLE 47. BAG ASSEMBLY B4880009 (FRENCH & GERMAN MODELS 788 & 789 WITH FOOD)**

| PART NUMBER | DESCRIPTION                              | QTY |
|-------------|--|-----|
| 1477014     | ROLL - PRICE CENTS                       | 12  |
| 1477083     | RETAINER - SPIRAL - WALL                 | 10  |
| 1477123     | PRICE ROLL - 0 TO 25 - U.K./GER/FR       | 36  |
| 1572412     | KIT - WIRE BLOCK                         | 1   |
| 1577054     | LABEL - ITEM LETTERS - A0-A9 - GER       | 1   |
| 1577055     | LABEL - ITEM LETTERS - B0-B9 - GER       | 1   |
| 1577056     | LABEL - ITEM LETTERS - C0-C9 - GER       | 1   |
| 1577057     | LABEL - ITEM LETTERS - D0-D9 - GER       | 1   |
| 1577058     | LABEL - ITEM LETTERS - E0-E9 - GER       | 1   |
| 1577059     | LABEL - ITEM LETTERS - F0-F9 - GER       | 1   |
| 3158008     | ELBOW W/TAPE ASSEMBLY                    | 1   |
| 3158026     | LABEL - EVERPURE - SMALL - 7001-07       | 1   |
| 4407732     | ADAPTOR ASSEMBLY - BOXED ITEM            | -   |
| 4752150     | LABEL - COVER UP - H.W. - GER            | -   |
| 4752151     | LABEL - COVER UP - H.W. - FR             | -   |
| 4777801     | LABEL - SOLD OUT - GER.                  | 1   |
| 4777803     | LABEL - SOLD OUT - FR                    | 1   |
| 4850040     | DOCUMENTATION PACKAGE                    | 1   |
| 4880044     | LIST - BAG ASSEMBLY - B4880009 - CONTENT | 1   |
| 4880050     | W.D. PACKAGE - 220/240V - EXEC - FOOD    | 1   |



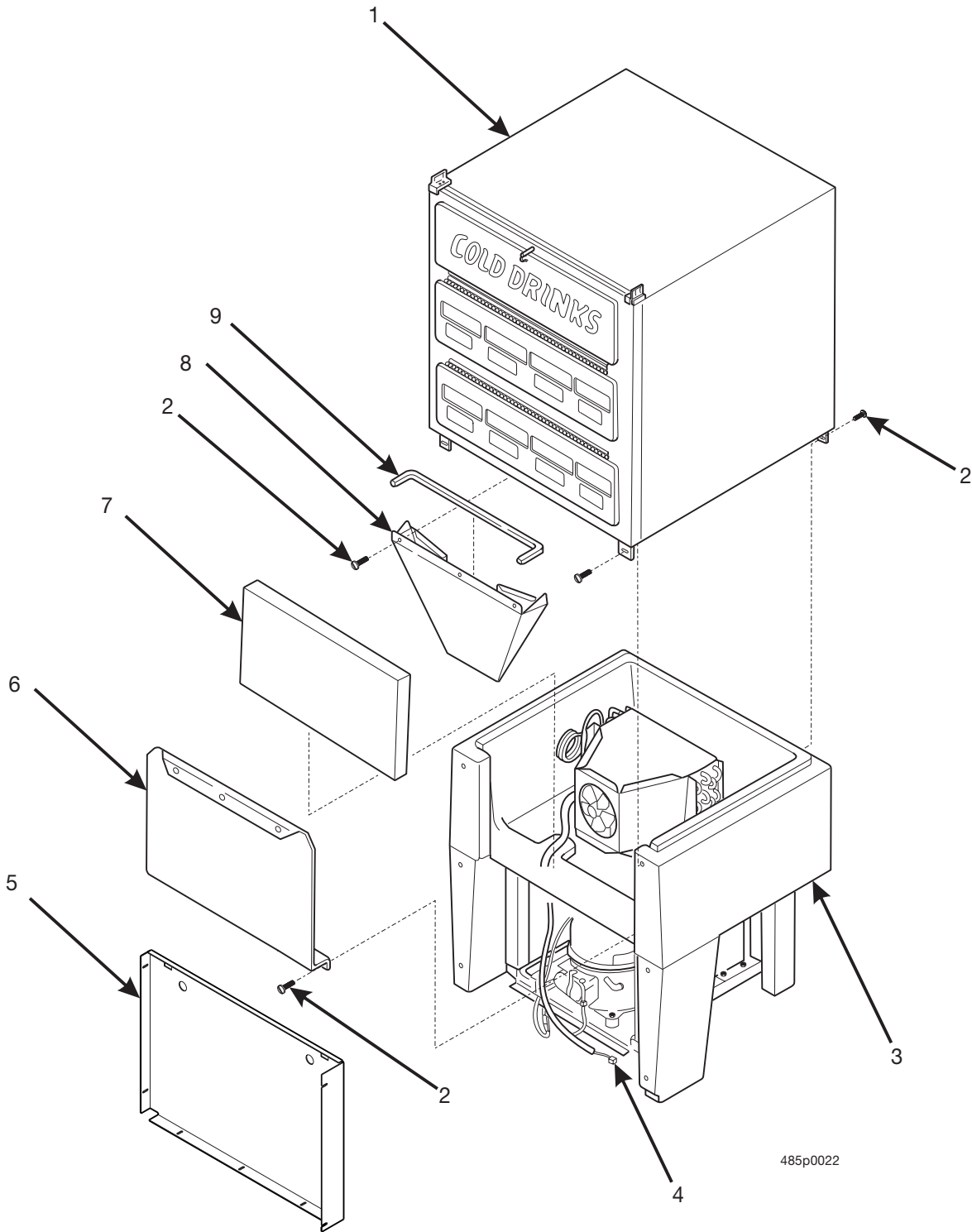


Figure 48. Can and Refrigeration Module



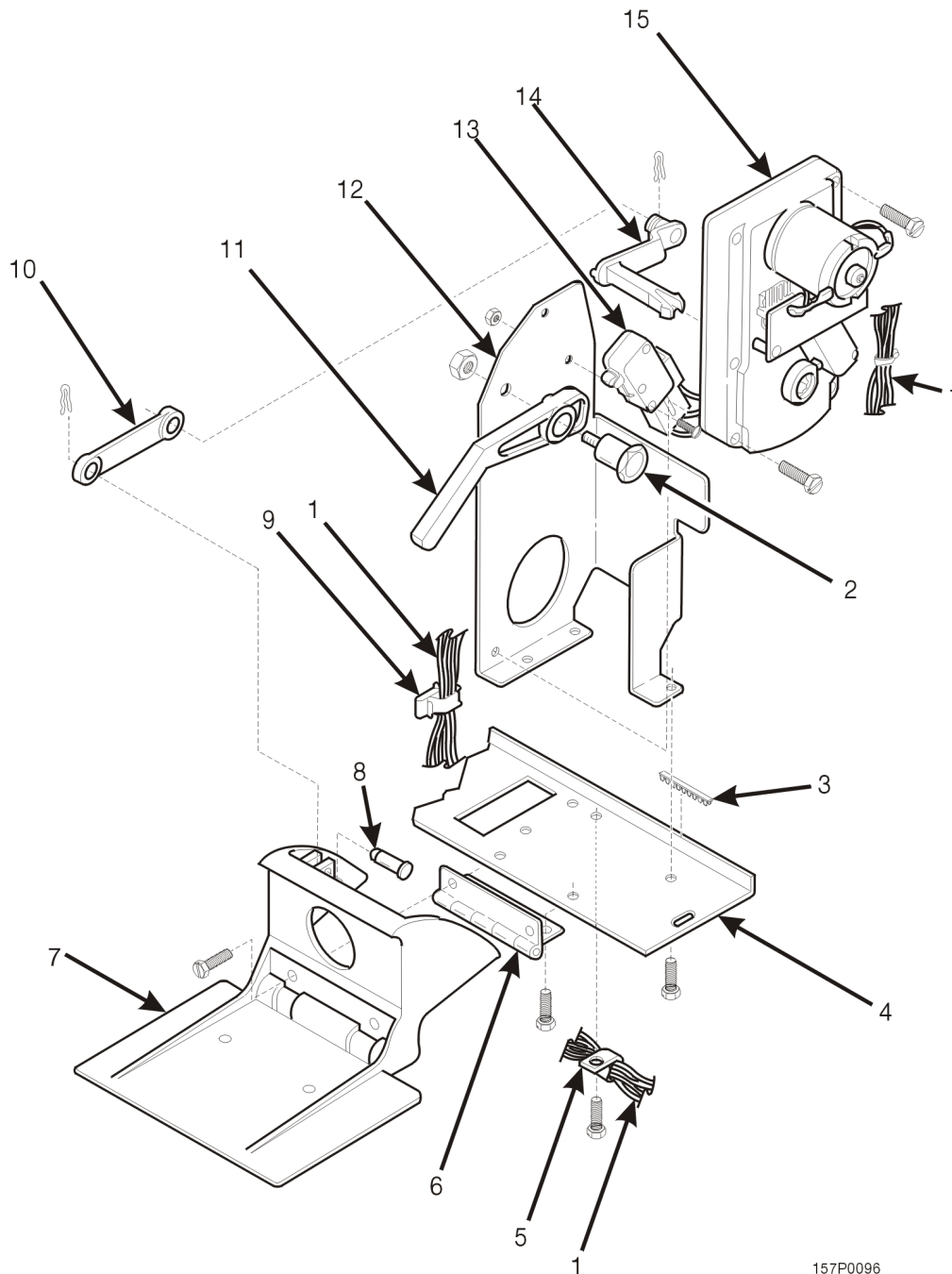


**TABLE 48. CAN AND REFRIGERATION MODULE**

| INDEX | PART NUMBER | DESCRIPTION   | QTY. |
|-------|-------------|---|------|
| 1     | 4847001     | CAN MODULE ASSEMBLY - 8 SELECT (110V)                     | 1    |
| 1     | 4877000     | CAN MODULE ASSEMBLY - 8 SELECT (220V)                     | 1    |
| 2     | 4727144     | SCREW - #8-18 X .62 HEX HEAD                              | 4    |
| 3     | 4844005     | REFRIGERATION MODULE ASSEMBLY - FINAL - R134A -CAN (110V) | 1    |
| 3     | 4874049     | REFRIG. MOD. - CAN - FOR. - DANFOSS (220V)                | 1    |
| 4     | 4849025     | HARNESS - CAN/CHILLER COMPRESSOR                          | 1    |
| 5     | 4851073     | COVER PAN - COMP. - CABINET                               |      |
| 6     | 4744042     | DOOR - RETAINER   | 1    |
| 7     | 4744027     | DOOR - REFRIGERATION MODULE                               | 1    |
| 8     | 4744024     | DUCT ASSEMBLY - AIR DISTRIBUTION                          | 1    |
| 9     | 4744028     | GASKET - DUCT DISTRIBUTION                                | 1    |

**THE FOLLOWING IS AVAILABLE AS AN ASSEMBLY**

| PART NUMBER | DESCRIPTION   |
|-------------|---|
| 4744023     | DUCT & GASKET ASSEMBLY (INCLUDES INDEX NUMBERS 8 & 9) |

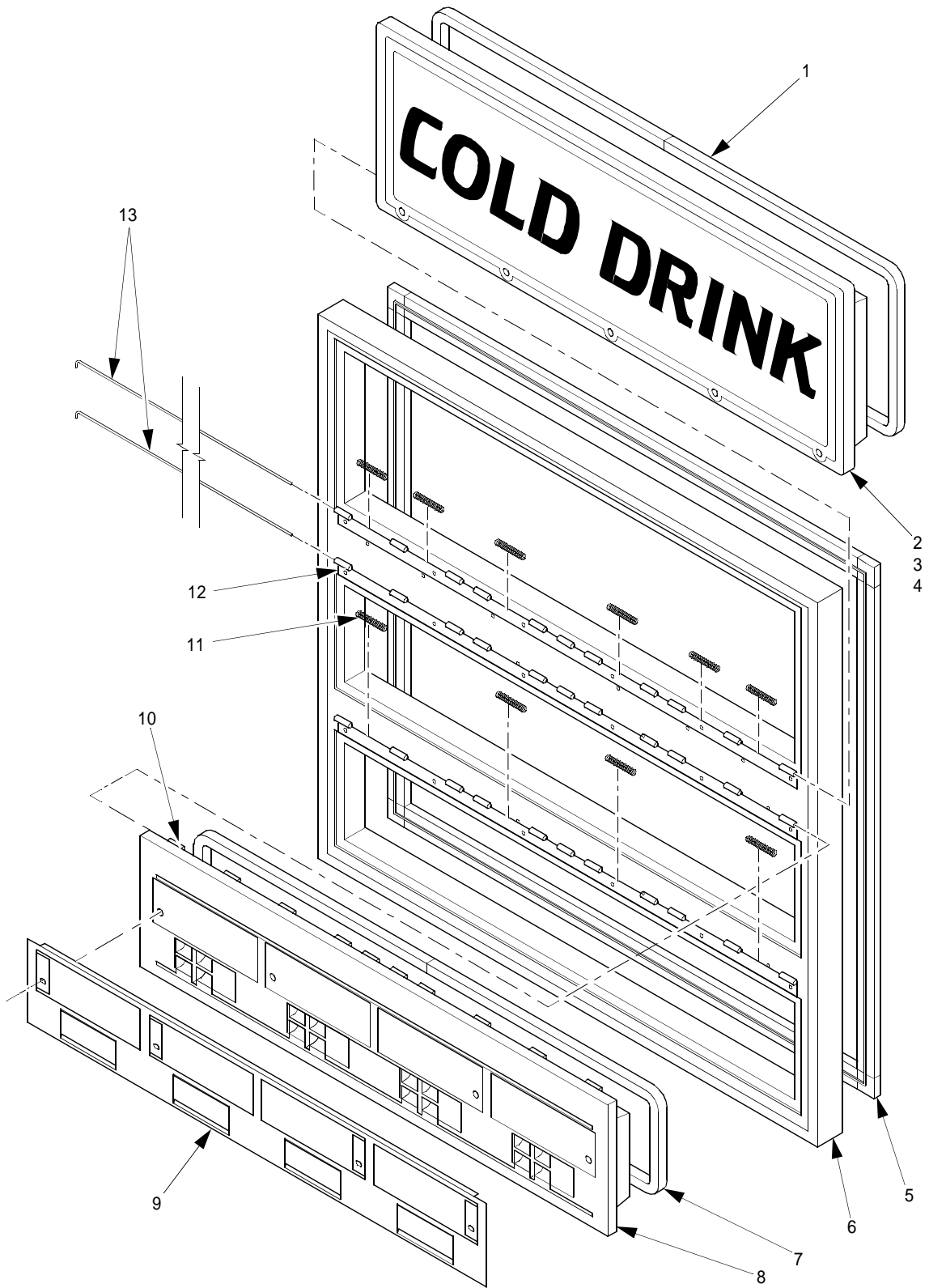


157P0096

Figure 49. Motor and Ejector Mounting Channel Assembly

**TABLE 49. M OTOR AND EJ ECTOR M OUNTING CHANNEL ASSEM BLY**

| INDEX | PART NUM BER | DESCRIPTION  | QTY. |
|-------|--------------|--|------|
| -     | 4847002      | M OUNTING CHANNEL ASSEM BLY - M OTOR AND EJ ECTOR    | -    |
| -     | 4849028      | HARNESS - CAM EJ ECTORS (NOT SHOW N)                 | 1    |
| -     | 4849029      | HARNESS - CAM EJ ECTORS (AU STRALIA) (NOT SHOW N)    | 1    |
| 1     | 2366091      | SW ITCH - ROLLER - LEVER                             | 1    |
| 2     | 4747034      | BRACK ET - M OTOR M OUNTING                          | 1    |
| 3     | 4747035      | CAM - EJ ECTOR DRIVE                                 | 1    |
| 4     | 1212159      | CLIP - W IRE   | 1    |
| 5     | 2204092      | COTTER - HAIR PIN                                    | 8    |
| 6     | 4747030      | ARM - EJ ECTOR DRIVE                                 | 4    |
| 7     | 4747606      | CAM - EJ ECTOR                                       | 1    |
| 8     | 4747031      | PIVOT PIN - EJ ECTOR CAM                             | 4    |
| 9     | 4747038      | HING E - EJ ECTOR                                    | 1    |
| 10    | 2342315      | CLIP - W IRE HARNESS                                 | 8    |
| 11    | 4747029      | CHANNEL - M OTOR AND EJ ECTOR M OUNTING              | 1    |
| 11    | 4847036      | CHANNEL - M OTOR AND EJ ECTOR M OUNTING (AU STRALIA) | 1    |
| 12    | 4712002      | EDG ING - NYLON - LONG - 1.0"                        | 4    |
| 13    | 1577035      | PCB AND M OTOR ASSEM BLY                             | 1    |
| 14    | 1457099      | STUD - TRAY ROLLER                                   | 4    |
| 15    | 4747036      | SW ITCH - ACTUATOR - SOLD OUT                        | 1    |

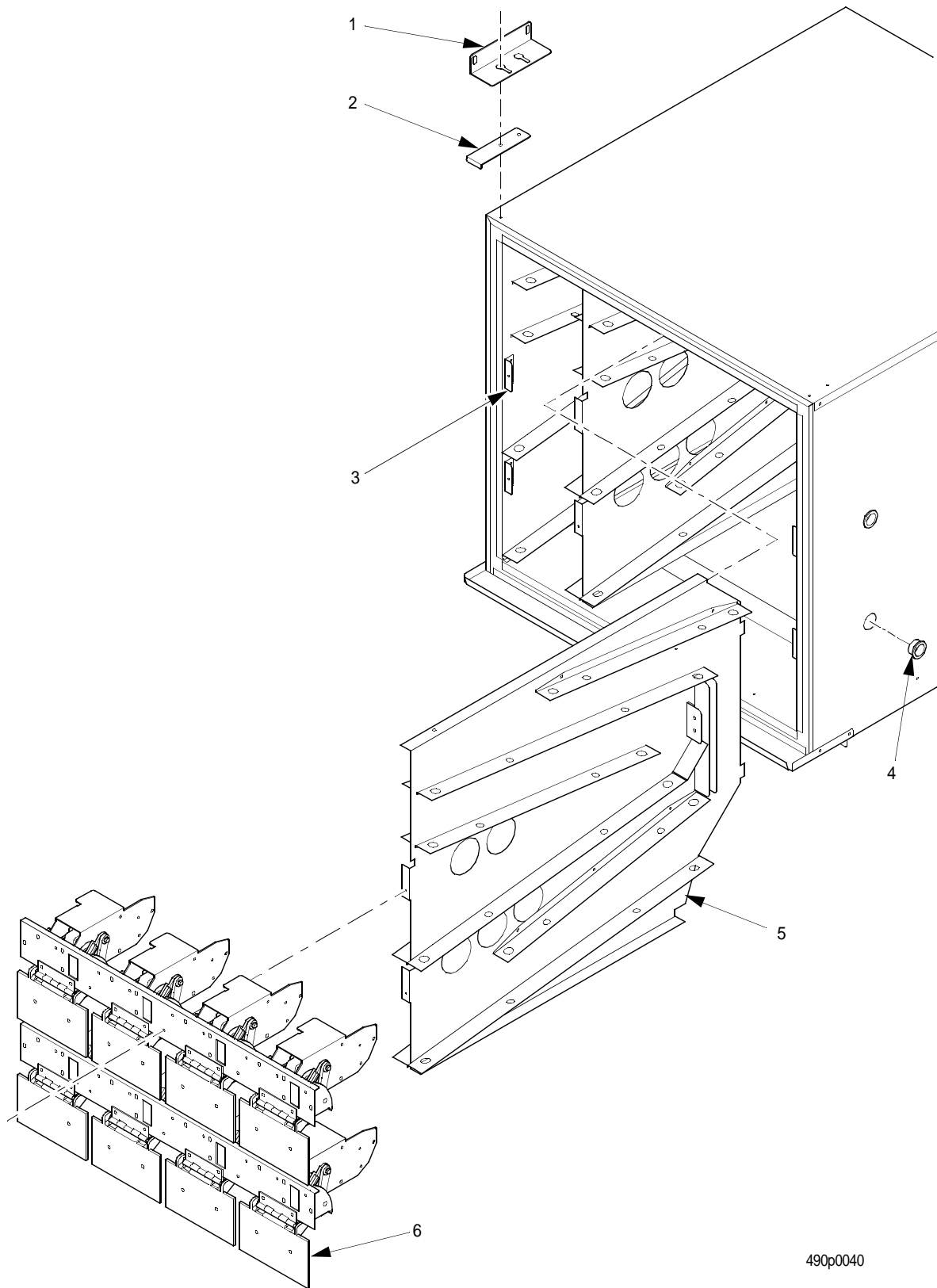


490p0039

Figure 50. Can Unit Frame Assembly

TABLE 50 . CAN UNIT FRAME ASSEMBLY

| INDEX | PART NUMBER | DESCRIPTION                 | QTY. |
|-------|-------------|-----------------------------|------|
| -     | 4747065     | FRAME ASSEMBLY - 8 SELECT   | -    |
| 1     | 4747014     | GASKET - LOADING DOOR       | 1    |
| 2     | 4747133     | DOOR - LOADING              | 1    |
| 3     | 4747122     | HINGE - DOOR                | 1    |
| 4     | 4727145     | LABEL - LOADING DIAGRAM     | 1    |
| 5     | 4747003     | GASKET - FRAME - 8 SELECT   | 1    |
| 6     | 4747127     | FRAME - CAN MODULE - 8 SEL. | 1    |
| 7     | 4747009     | GASKET - DELIVERY DOOR      | 2    |
| 8     | 4747134     | DOOR - DELIVERY             | 2    |
| 9     | 4747111     | RETAINER - LABEL            | 2    |
| 10    | 4747122     | HINGE - DOOR                | 2    |
| 11    | 4747064     | SPRING - DOOR RETURN        | 14   |
| 12    | 4747121     | HINGE - DELIVERY DOOR       | 3    |
| 13    | 4747135     | PIN - HINGE                 | 3    |



490p0040

Figure 51. Can Compartment Assembly

TABLE 51. CAN UNIT FRAME ASSEMBLY

| INDEX | PART NUMBER | DESCRIPTION                 | QTY. |
|-------|-------------|-----------------------------|------|
| -     | 4747065     | FRAME ASSEMBLY - 8 SELECT   | -    |
| 1     | 4747014     | GASKET - LOADING DOOR       | 1    |
| 2     | 4747133     | DOOR - LOADING              | 1    |
| 3     | 7847004     | HINGE - DOOR                | 1    |
| 4     | 4727145     | LABEL - LOADING DIAGRAM     | 1    |
| 5     | 4747003     | GASKET - FRAME - 8 SELECT   | 1    |
| 6     | 4747127     | FRAME - CAN MODULE - 8 SEL. | 1    |
| 7     | 4747009     | GASKET - DELIVERY DOOR      | 2    |
| 8     | 4747134     | DOOR - DELIVERY             | 2    |
| 9     | 4747111     | RETAINER - LABEL            | 2    |
| 10    | 7847004     | HINGE - DOOR                | 2    |
| 11    | 4747064     | SPRING - DOOR RETURN        | 14   |
| 12    | 7847003     | HINGE - DELIVERY DOOR       | 3    |
| 13    | 4747135     | PIN - HINGE                 | 3    |

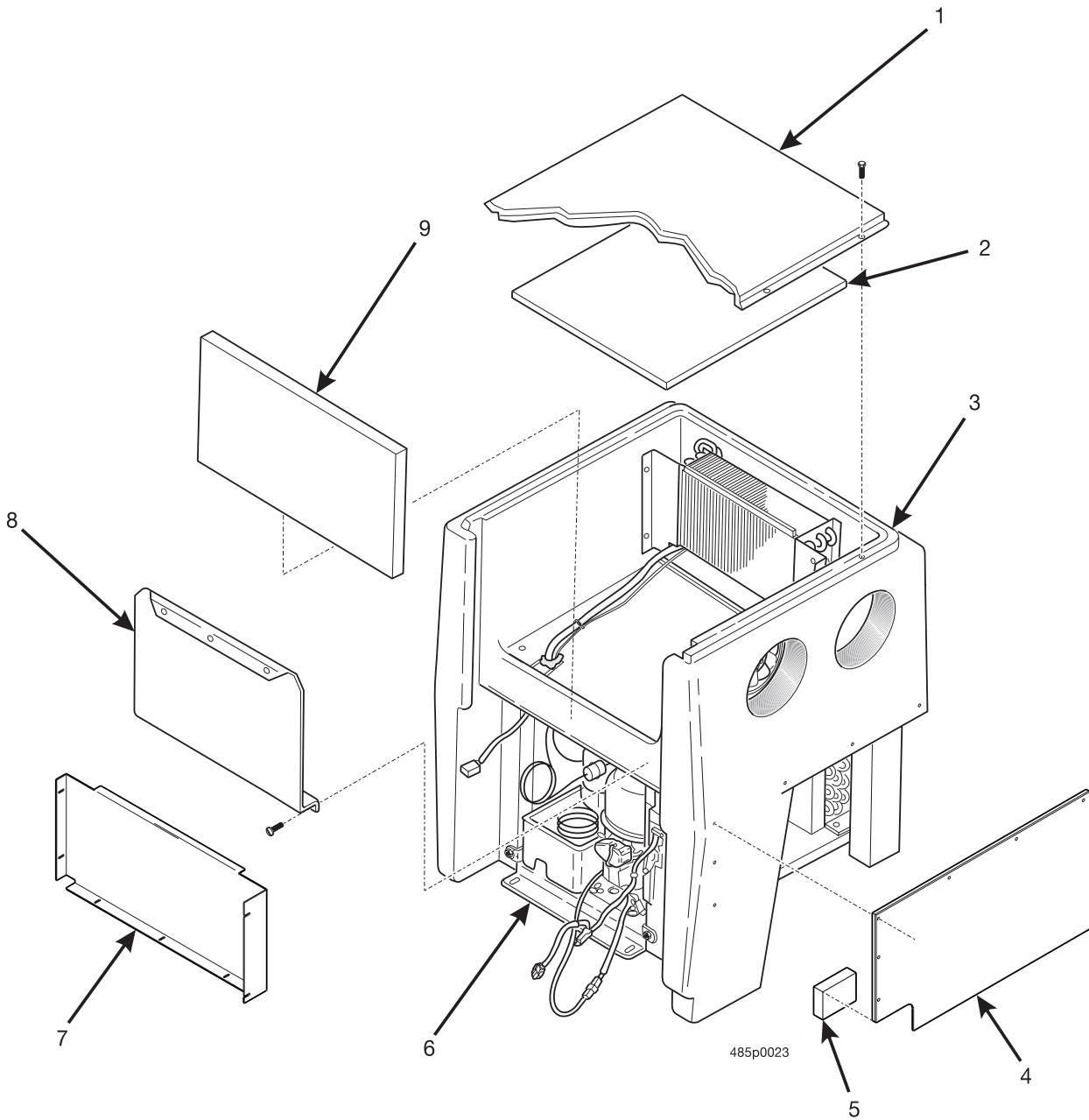


Figure 52. Refrigeration Module Assembly - Chilled Snack - No Food/No Can (Models 788, 789)





## Refreshment Center 3 Parts Manual

**TABLE 52. REFRIGERATION MODULE ASSEMBLY - CHILLED SNACK - NO FOOD/NO CAN (MODELS 788, 789)**

| INDEX | PART NUMBER | DESCRIPTION                             | QTY. |
|-------|-------------|---|------|
| 1     | 4614080     | COVER - REFRIGERATION MODULE HOUSING    | 1    |
| -     | 4727144     | SCREW - #8-18 X .62 HEX HEAD            | 9    |
| 2     | 4614118     | INSULATION - REFRIGERATION MODULE       | 1    |
| 3     | 4614117     | HOUSING - REFRIGERATION MODULE          | 1    |
| 4     | 4641074     | COVER & SEAL ASSEMBLY - REFRIG. HOUSING | 2    |
| 5     | 4641075     | GASKET - COVER - REFRIG. HOUSING        | 2    |
| 6     | 4644025     | COOLING UNIT FINAL ASSEMBLY (220 V)     | 1    |
| 7     | 4881038     | COVER & SEAL ASSEMBLY - COMPRESSOR      | 2    |
| 8     | 4744042     | DOOR RETAINER                           | 1    |
| -     | 4727144     | SCREW - #8-18 X .62 HEX HEAD            | 3    |
| 9     | 4744027     | DOOR - REFRIGERATION MODULE             | 1    |

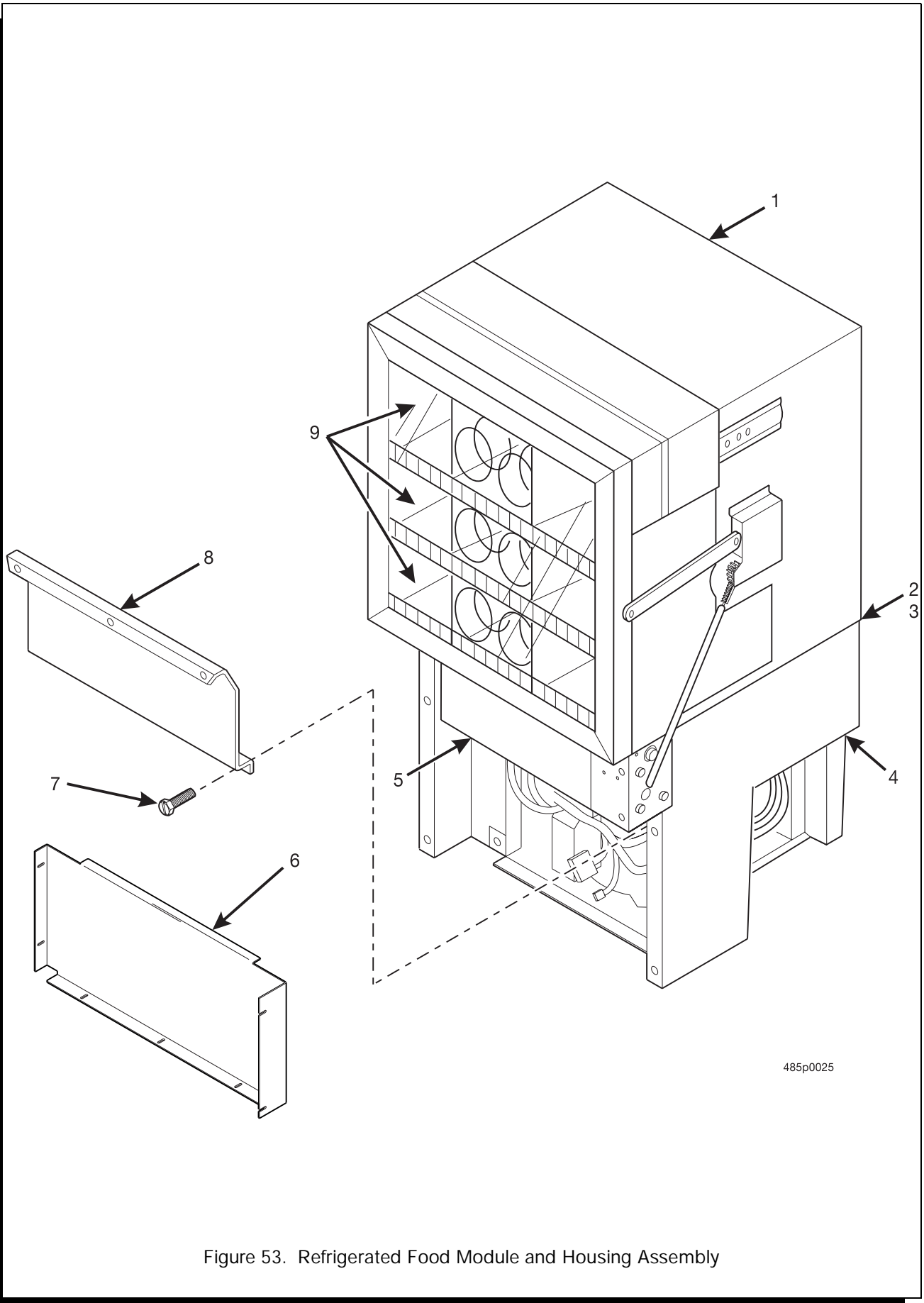


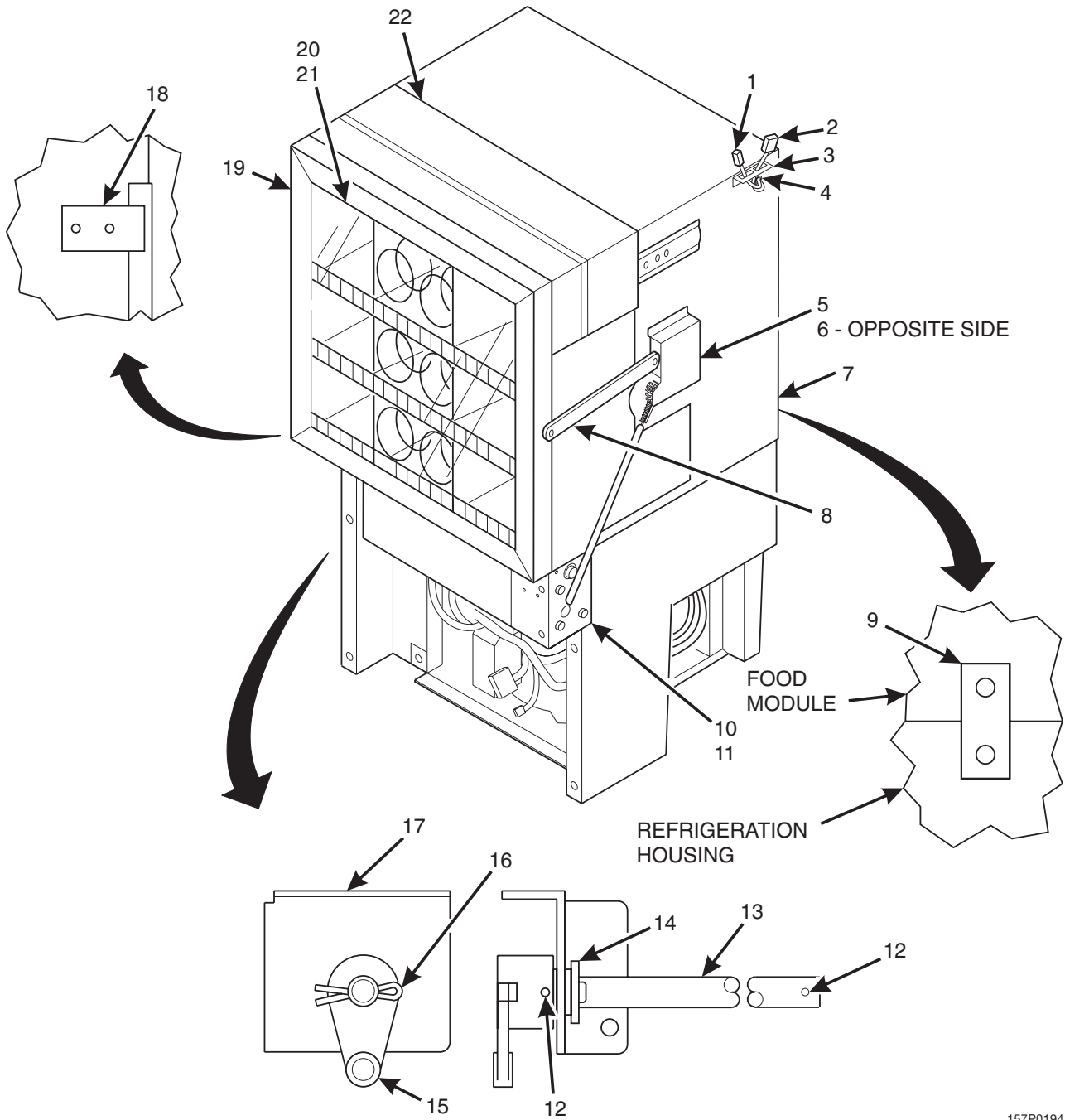
Figure 53. Refrigerated Food Module and Housing Assembly



## Refreshment Center 3 Parts Manual

**TABLE 53. REFRIGERATED FOOD MODULE AND HOUSING ASSEMBLY**

| INDEX | PART NUMBER | DESCRIPTION   | QTY. |
|-------|-------------|---|------|
| 1     | 4847005     | REFRIGERATED FOOD MODULE ASSEMBLY - 110V            | 1    |
|       | 4847018     | REFRIGERATED FOOD MODULE ASSEMBLY - 220V            |      |
| 2     | 4404013     | GASKET - REFRIGERATED MODULE - OUTSIDE              | 1    |
| 3     | 4744017     | GASKET - REFRIGERATED MODULE                        | 1    |
| 4     | 4844007     | REFRIGERATION MODULE ASSEMBLY - 110V                | 1    |
|       | 4874050     | REFRIGERATION MODULE ASSEMBLY - DANFOSS (230V)      |      |
| 5     | 4744027     | DOOR - REFRIGERATION MODULE                         | 1    |
| 6     | 4851075     | COVER & SEAL ASSEMBLY - COMPRESSOR (MODEL 785, 786) | 1    |
|       | 4881038     | COVER & SEAL ASSEMBLY - COMPRESSOR (MODEL 788, 789) |      |
| 7     | 4727144     | SCREW - #8-18X.62 HEX HEAD                          | 6    |
| 8     | 4744042     | DOOR - RETAINER                                     | 1    |
| 9     | -           | TRAY ASSEMBLIES (SEE FIGURE 59 FOR DETAILS)         | 3    |



157P0194

Figure 54. Major Components - Refrigerated Food Module



## Refreshment Center 3 Parts Manual

**TABLE 54. MAJOR COMPONENTS - REFRIGERATED FOOD MODULE**

| INDEX | PART NUMBER | DESCRIPTION  | QTY. |
|-------|-------------|--|------|
| 1     | 4119013     | PROBE - TEMPERATURE SENSOR   | 1    |
| 2     | 4407009     | JUMPER - CHANNEL PCB - FOOD MODULE                                   | 1    |
| 3     | 4407002     | BRACKET - CABLE PLUG   | 1    |
| -     | 4721035     | SCREW - #8-18 X .38 - LGM  | 2    |
| 4     | 3502097     | BUSHING #OCB - 500   | 1    |
| 5     | 4407069     | DRIVE ARM ASSEMBLY - R.H. (SEE FIGURE 66 FOR DETAILS)                | 1    |
| -     | 9900425     | RETAINING RING REINF E TYP. 312                                      | 1    |
| -     | 1451097     | SCREW - #8-32 X .31 HEX HD. TF - BLK                                 | 5    |
| 6     | 4407052     | DRIVE ARM ASSEMBLY - L.H. (SEE FIGURE 65 FOR DETAILS)                | 1    |
| -     | 9900425     | SCREW - RETAINING RING REINF. E TYP. 250                             | 1    |
| -     | 1451097     | SCREW - #8-32 X .31 HEX HD. TF-BLK.                                  | -    |
| 7     | 4407026     | HOUSING & LINER ASSEMBLY - FOOD MODULE                               | 1    |
| 8     | 9900431     | RETAINING RING REINF. E TYP. 312                                     | 1    |
| 9     | 4747062     | MOUNTING STRAP - CAN MODULE  | 1    |
| -     | 4721035     | SCREW - #8-18 X .38 - LGM  | -    |
| -     | 4727144     | SCREW - #8-18 X .62 HEX HEAD   | -    |
| 10    | 4407077     | MOTOR MOUNTING BRACKET ASSEMBLY (SEE FIGURE 67 FOR DETAILS)          | 1    |
| -     | 4721035     | SCREW - #8-18 X .38 - LGM  | 3    |
| -     | 4727144     | SCREW - #8-18 X .62 HEX HEAD   | 1    |
| 11    | 4747725     | COVER - MOTOR ASSEMBLY   | 1    |
| -     | 1451097     | SCREW - #8-32 X .31 HEX HD. TF-BLK                                   | 5    |
| -     | 4407086     | DRIVE SHAFT ASSEMBLY (INCLUDES INDEX #'S 12 - 17)                    | 1    |
| 12    | 3127034     | ROLL PIN 1/8 X 13/16   | 2    |
| 13    | 4407087     | SHAFT - DRIVE  | 1    |
| 14    | 4047012     | SHOULDER BUSHING   | 1    |
| 15    | 4407079     | ARM - DRIVE  | 1    |
| 16    | 9900098     | COTTER PIN 3/32 X 3/4 IN.  | 2    |
| 17    | 4407088     | BRACKT - DRIVE SHAFT   | 1    |
| 18    | 4844027     | GUIDE - DOOR FRAME SUPPORT   | 1    |
| 19    | 4407115     | DOOR ASSEMBLY - REFRIGERATED FOOD MODULE (SEE FIGURE 64 FOR DETAILS) | 1    |
| -     | 5500026     | SCREW - 8-32 X 3/8 PHS T/F   | -    |
| 20    | 4741223     | DECAL - COLD/FROZEN FOOD   | 1    |
| 21    | 4612001     | DECAL - "CHILLED FOR FRESHNESS"                                      | 1    |
| 22    | 4747716     | DOOR FRAME ASSEMBLY (SEE FIGURE 56 FOR DETAILS)                      | 1    |
| -     | 5500026     | SCREW - 8-32 X 3/8 PHS T/F   | -    |

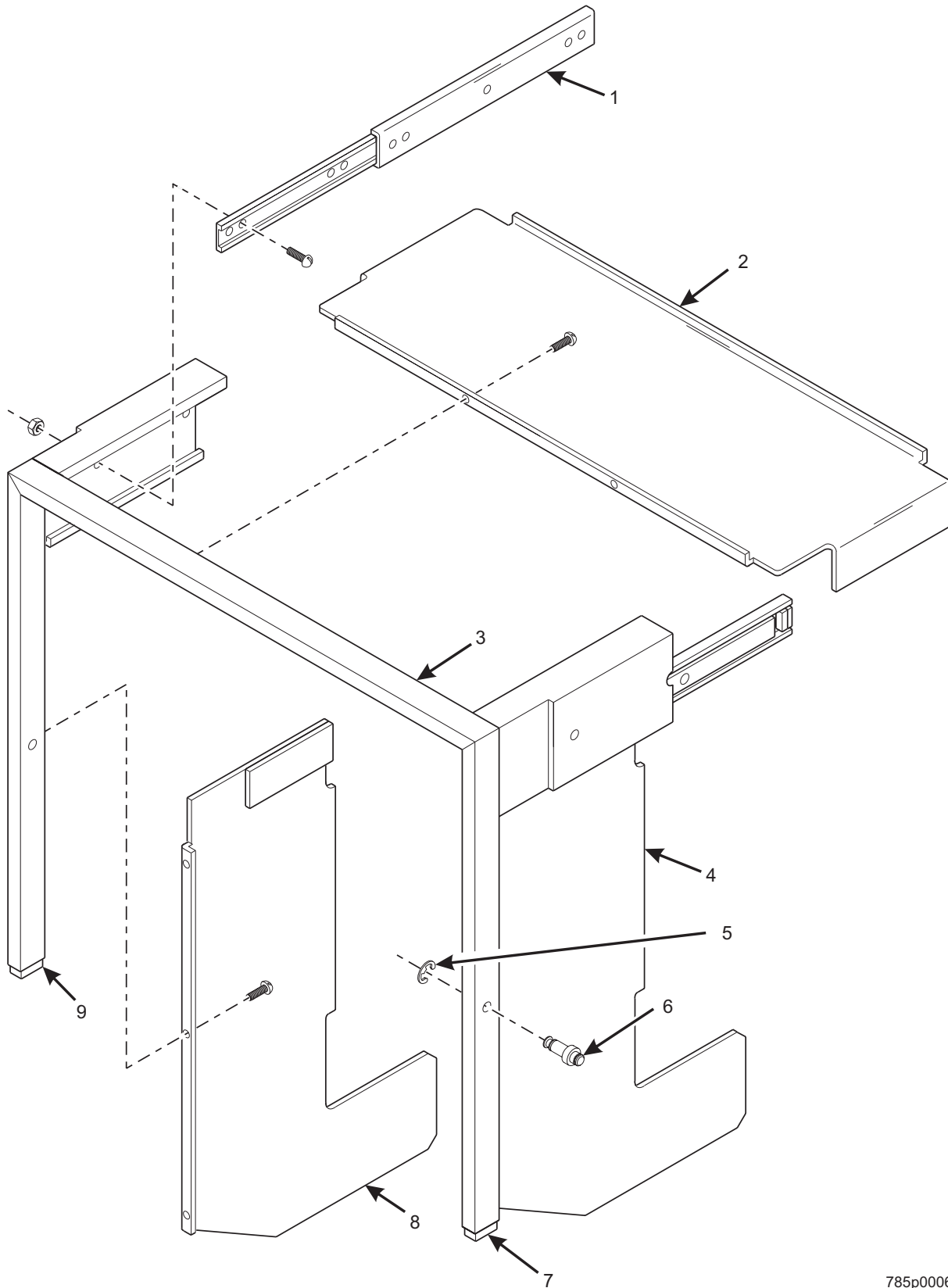




# Refreshment Center 3 Parts Manual

**TABLE 55. REFRIGERATION UNIT COMPONENTS**

| MACHINE CONFIGURATION                | 786 AMBIENT SNACK AND CAN (115 V DOMESTIC) | 785 - 786 AMBIENT SNACK AND REFRIGERATED FOOD (115 V DOMESTIC) | 785 - 786 AMBIENT SNACK AND FROZEN FOOD (115 V DOMESTIC) | 785 - 786 AMBIENT SNACK AND CAN (230 V INTERNATIONAL) | 785 - 786 CHILLED SNACK AND CAN (230 V INTERNATIONAL) | 785 - 786 CHILLED SNACK AND REFRIGERATED FOOD (230 V INTERNATIONAL) | 785 - 786 CHILLED SNACK AND FROZEN FOOD (ONLY ONE EVAPORATOR) |
|--------------------------------------|--|--|--|---|---|---|---|
|                                      | PART NUMBER                                |  |  |   |   |   |   |
| PART DESCRIPTION                     | PART NUMBER                                |  |  |   |   |   |   |
| REFRIGERATION UNIT ASSEMBLY          | 4844006                                    | 4844012  | 4844011  | 4854004   | 4874045   | 4874046   | 4874029   |
| COMPRESSOR                           | 4744108                                    | 4744408  | 4844028  | 4844014   | 4304211   | 4304211   | 4874026   |
| COMPRESSOR COMPONENTS                | 4744106                                    | 4744106  | 4844031  | 4844015   | 4304210   | 4304210   | 4874027   |
| CONDENSER                            | 4744109                                    | 4744109  | 3634002  | 4744109   | 3634002   | 3634002   | 3634002   |
| CONDENSER FAN MOTOR                  | 4744112                                    | 4744112  | 4304092  | 3618157   | 4744122   | 4774122   | 4774122   |
| CONDENSER FAN BLADE                  | 3608149                                    | 3608149  | 4774027  | 6308149   | 4774027   | 4774027   | 4774027   |
| EXPANSION DEVICE                     |  |  |  |   | 4774087   | 4774087   |   |
| EVAPORATOR - CHILLED SNACK           |  |  |  |   | 4774022   | 4774022   |   |
| EVAPORATOR FAN ASSEMBLY              |  |  |  |   | 4844002   | 4844002   |   |
| EXPANSION DEVICE                     | 4844024                                    | 4844024  |  | 4844024   | 4774087   | 4774087   |   |
| EVAPORATOR - CAN & REFRIGERATED FOOD | 4744044                                    | 4744044  |  | 4744044   | 4774021   | 4774021   |   |
| EVAPORATOR FAN ASSEMBLY              | 4724124                                    | 4724124  |  | 4844001   | 4844001   | 4844001   |   |
| EXPANSION DEVICE                     |  |  | 4744573  |   |   |   |   |
| EVAPORATOR - FROZEN FOOD             |  |  | 4744502  |   |   |   |   |
| EVAPORATOR FAN ASSEMBLY              |  |  | 4844000  |   |   |   |   |
| RETURN AIR TEMPERATURE PROBE         | 4119013                                    | 4119013  | 4119013  | 4119013   | 4119013   | 4119013   | 4119013   |
| EPR VALVE                            |  |  |  |   | 4774089   | 4774089   |   |
| TRIAC                                | 4644008                                    | 4844019  | 4844018  | 4644008   | 4644008   | 4844019   | 4844018   |
| DRIER                                | 4304194                                    | 4304194  | 4304194  | 4304194   | 4304194   | 4304194   | 4304194   |
| ACCUMULATOR                          | 4724004                                    | 4724004  |  | 4724004   | 4724004   | 4724004   |   |
| DRAIN HEATER                         |  |  | 4844506  |   |   |   | 4849026   |
| DEFROST HEATER                       |  |  | 4844022  |   |   |   | 4874037   |
| DEFROST THERMOSTAT                   |  |  | 4974053  |   |   |   | 4974053   |



785p0006

Figure 56. Refrigerated and Frozen Food Module Door Frame Assembly





## Refreshment Center 3 Parts Manual

**TABLE 56. REFRIGERATED AND FROZEN FOOD MODULE DOOR FRAME ASSEMBLY**

| INDEX | PART NUMBER | DESCRIPTION                   | QTY. |
|-------|-------------|-------------------------------|------|
| -     | 4747716     | DOOR FRAME ASSEMBLY           | 1    |
| 1     | 4407103     | SLIDE - 10"                   | 2    |
| 2     | 4407106     | SHIELD - TOP                  | 1    |
| 3     | 4407107     | DOOR FRAME WELD ASSEMBLY      | 1    |
| 4     | 4407159     | SHIELD - RIGHT SIDE           | 1    |
| 5     | 9900431     | RETAINING RING REINF E TYP. 3 | 1    |
| 6     | 4407102     | STUD - DOOR LATCH             | 1    |
| 7     | 1479120     | CAPLUG - REC. ½ X 1           | 1    |
| 8     | 4407158     | SHIELD - LEFT SIDE            | 1    |
| 9     | 4407101     | SUPPORT - DOOR FRAME          | 1    |

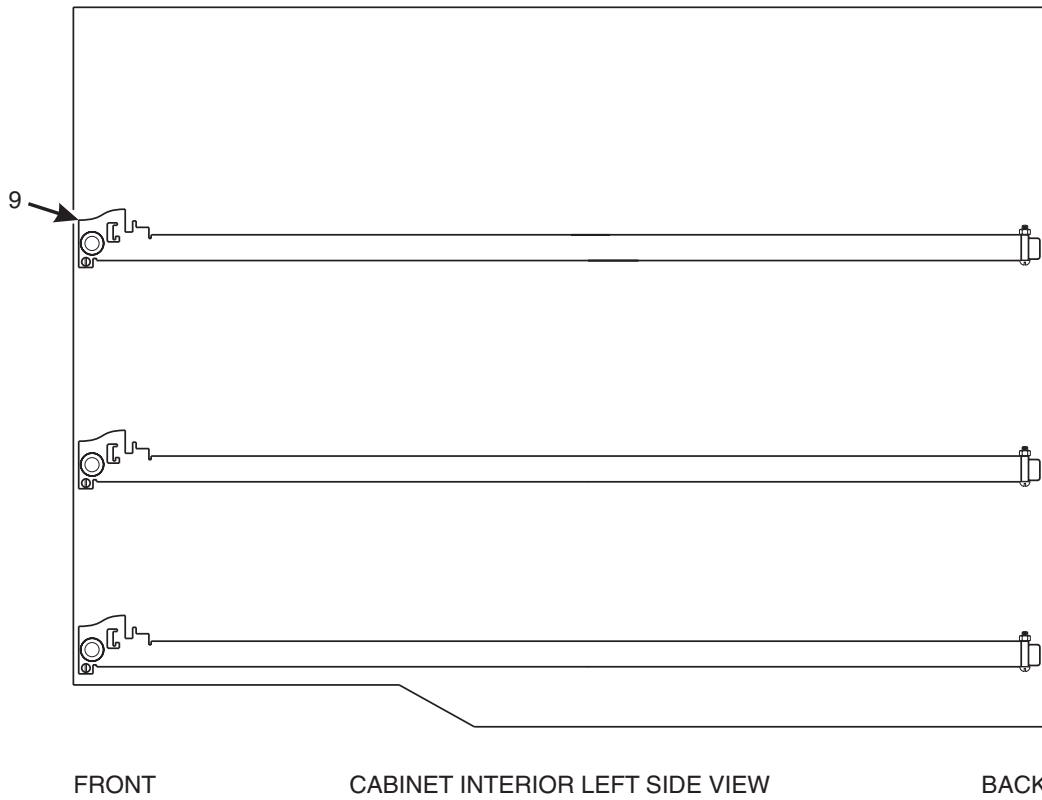
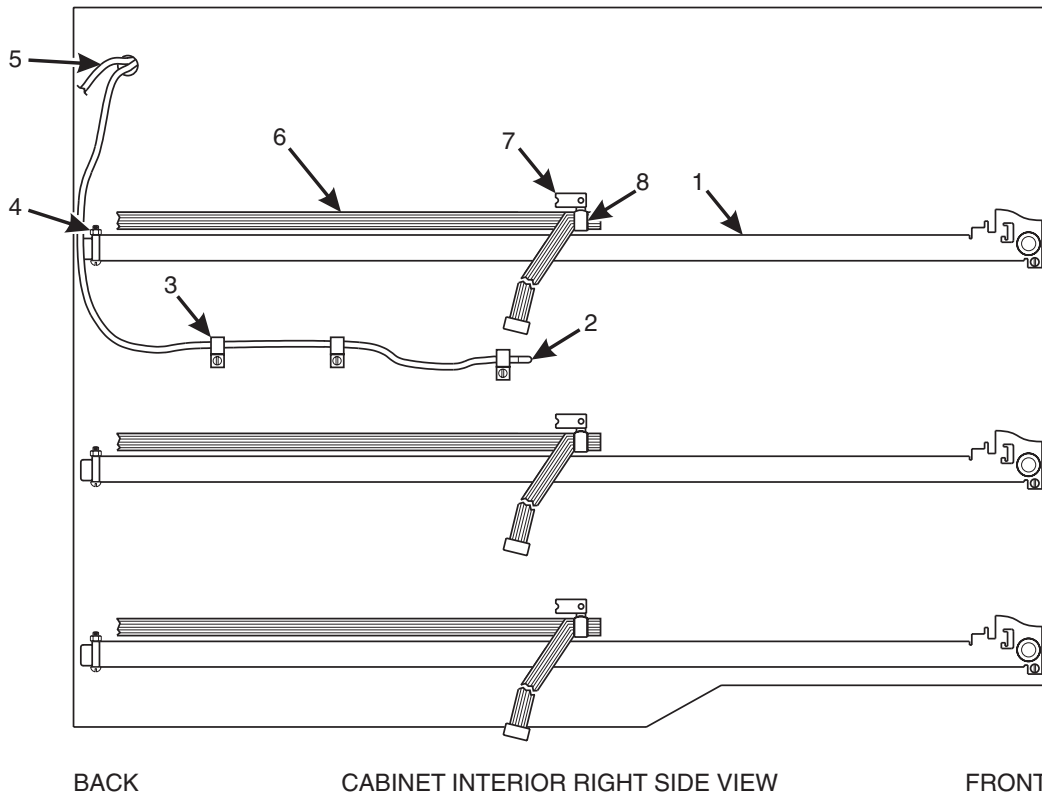


Figure 57. Refrigerated and Frozen Food Module - Interior View (Part 1 of 2)

157P0195



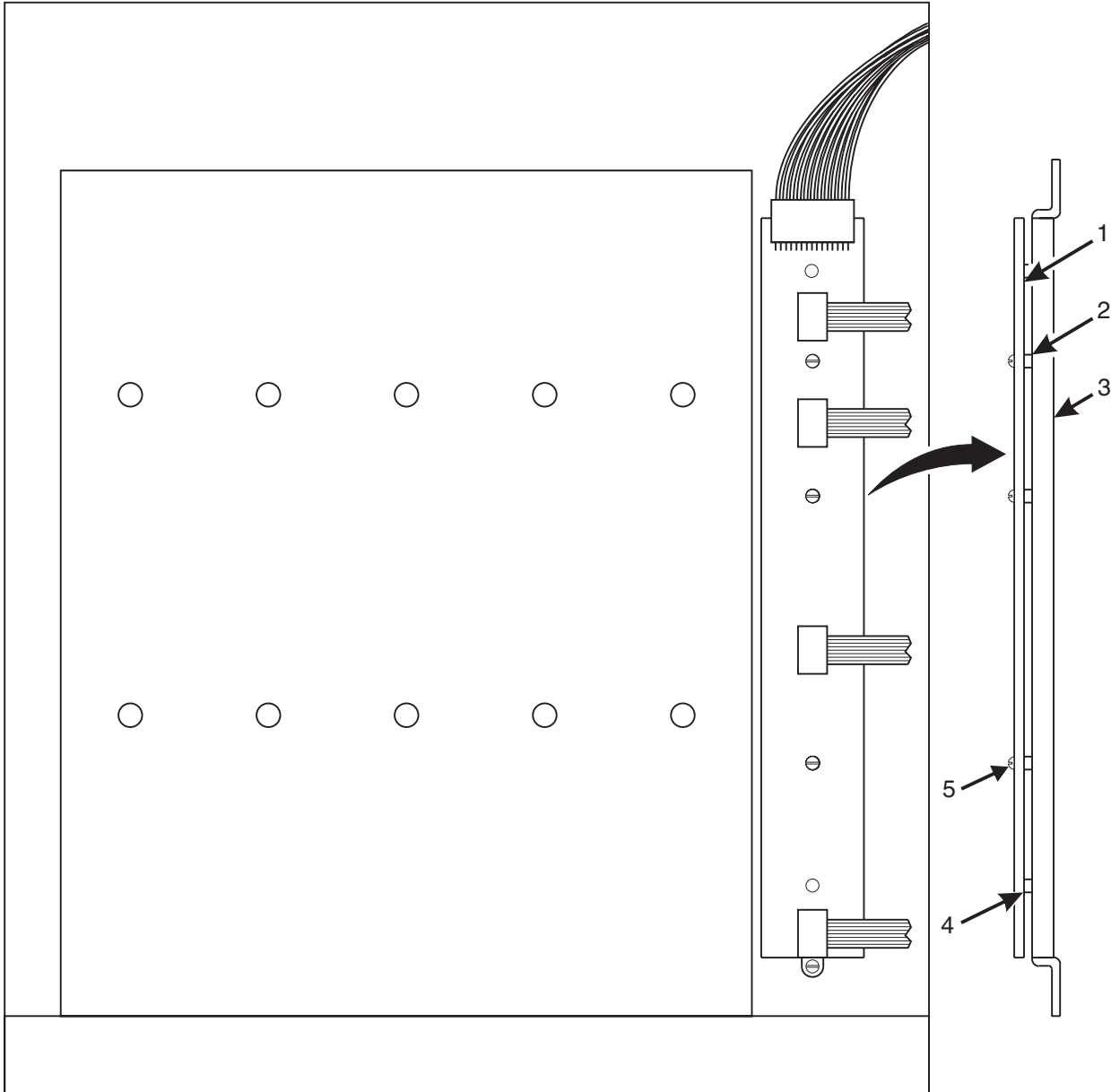
## Refreshment Center 3 Parts Manual

**TABLE 57. REFRIGERATED AND FROZEN FOOD MODULE - INTERIOR VIEW (PART 1 OF 2)**

| INDEX | PART NUMBER | DESCRIPTION                          | QTY. |
|-------|-------------|--------------------------------------|------|
| 1     | 4407021     | RAIL AND ROLLER ASSEMBLY - R.H.      | 3    |
| -     | 4402038     | SCREW                                | 3    |
| 2     | 4119013     | PROBE - TEMPERATURE SENSOR           | 1    |
| 3     | 2342315     | CLIP - WIRE HARNESS                  | 3    |
| -     | 4402038     | SCREW                                | 3    |
| 4     | 4407016     | WIRE COVER - 6138236 - .208 ID X .88 | 6    |
| -     | 4402037     | SCREW                                | 6    |
| -     | 6104424     | NUT                                  | 6    |
| 5     | 4407009     | JUMPER - CHANNEL PCB - FOOD MODULE   | 1    |
| 6     | 4402020     | FLAT CABLE ASSEMBLY                  | 3    |
| 7     | 4407156     | KEEPER - HARNESS                     | 3    |
| -     | 4402038     | SCREW                                | 3    |
| 8     | 4407014     | RECTANGULAR CLOSURE                  | 3    |
| 9     | 4407017     | RAIL AND ROLLER ASSEMBLY - L.H.      | 3    |
| -     | 4402038     | SCREW                                | 3    |



TOP



CABINET INTERIOR BACK VIEW

157P0197

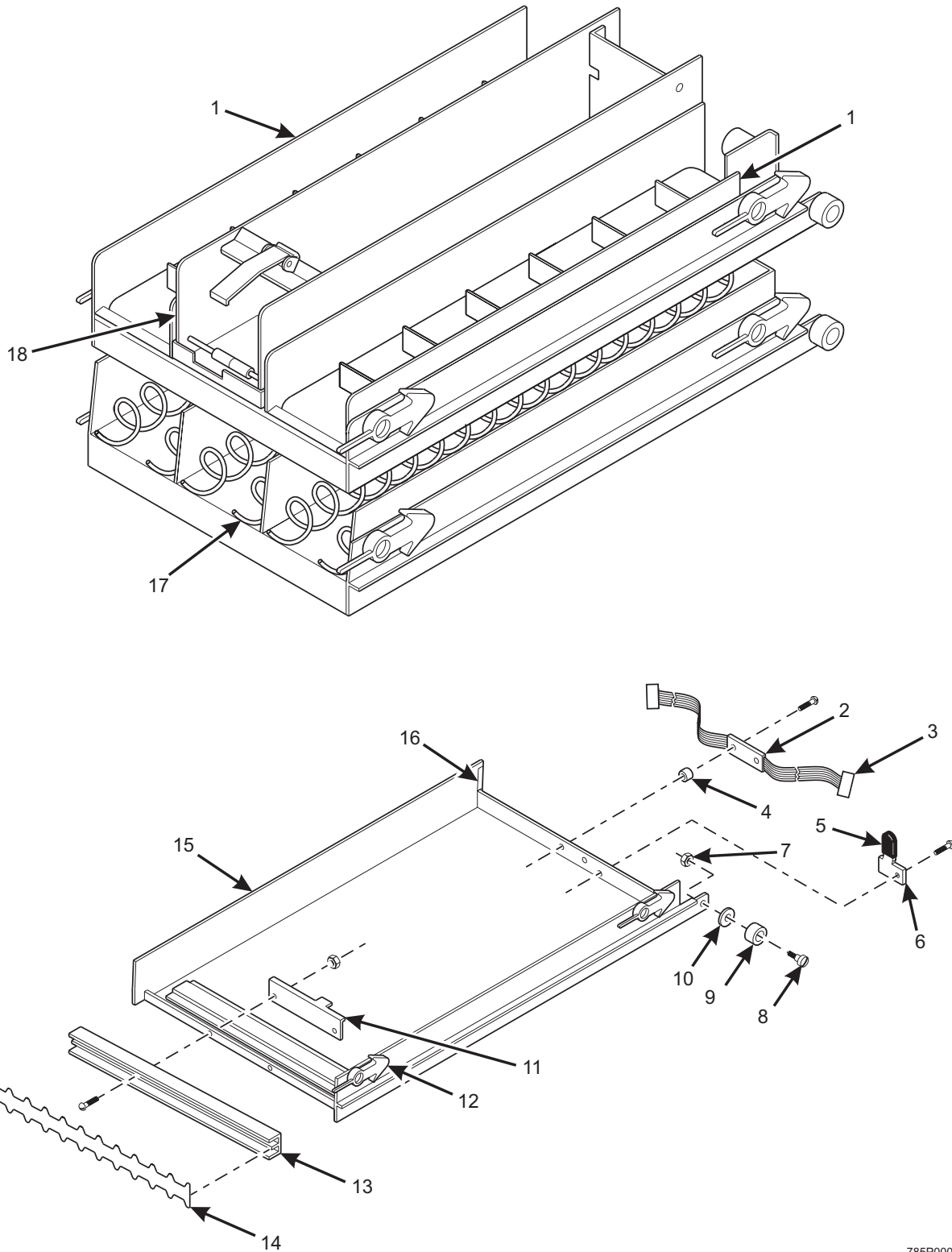
Figure 58. Refrigerated and Frozen Food Module - Interior View (Part 2 of 2)



## Refreshment Center 3 Parts Manual

**TABLE 58. REFRIGERATED AND FROZEN FOOD MODULE - INTERIOR VIEW (PART 2 OF 2)**

| <b>INDEX</b> | <b>PART NUMBER</b> | <b>DESCRIPTION</b>                | <b>QTY.</b> |
|--------------|--------------------|-----------------------------------|-------------|
| 1            | 4401000            | PCB ASSEMBLY - CHANNEL - FOOD MOD | 1           |
| 2            | 4407025            | SPACER                            | 3           |
| 3            | 4407146            | BRACKET - P.C. BOARD (PAINTED)    | 1           |
| 4            | 4407024            | SUPPORT - CIR. BD. MINIATURE      | 2           |
| 5            | 6107240            | SPACER                            | 3           |



785P0005

Figure 59. General Tray Assemblies - Refrigerated and Frozen Food Module



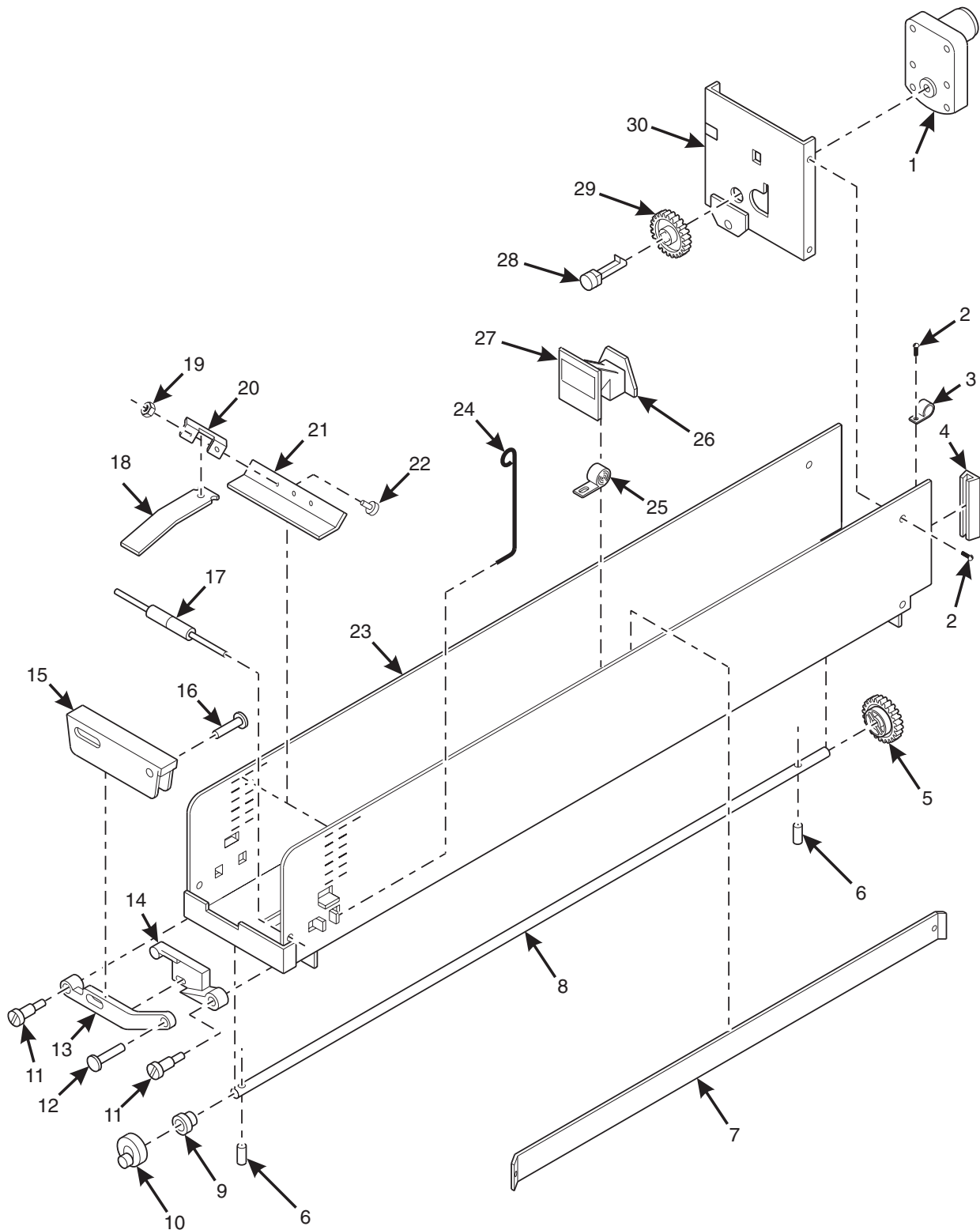
## Refreshment Center 3 Parts Manual

### NOTE

*Tray assemblies can be configured several different ways: All spirals, all belts, or 2 belts and 1 pusher. This table represents parts common to all trays including the modules needed to configure trays for spirals, belts or pushers*

**TABLE 59. GENERAL TRAY ASSEMBLIES - REFRIGERATED AND FROZEN FOOD MODULE**

| INDEX | PART NUMBER | DESCRIPTION   | QTY. |
|-------|-------------|---|------|
| 1     | 4407600     | BELT MODULE ASSEMBLY (SEE FIGURE 61 FOR DETAILS)              | OPT  |
| 2     | 4402008     | PCB ASSEMBLY - TRAY - FOOD MODULE                             | 1    |
| 3     | 4407501     | HARNESS - 6 MOTOR - FOOD MODULE                               | 1    |
| 4     | 4407025     | SPACER - .38 OCX .14IDX .187L                                 | 2    |
| 5     | 4407114     | RETANGULAR CLOSURE  | 1    |
| 6     | 4407516     | RETAINER - HARNESS  | 1    |
| 7     | 4402046     | NUT #1/4 - 20 SELF LOCKING - SS                               | 2    |
| 8     | 4407514     | STUD - TRAY ROLLER  | 2    |
| 9     | 4407019     | ROLLER - TRAY   | 2    |
| 10    | 4402041     | WASHER - 5/8 X 9/32 X 1/16 - SS                               | 2    |
| 11    | 4407845     | RETAINER - SPIRAL MODULE (USED WITH INDEX #19 ONLY)           | 1    |
| 12    | 1477017     | LATCH   | 4    |
| 13    | 4407503     | RAIL - PRICE & SELECTION                                      | 1    |
| 14    | 4407504     | HOLDER - PRICE & SELECTION                                    | 1    |
| 15    | 4402034     | TRAY WELD ASSEMBLY (PAINTED)                                  | 1    |
| 16    | 4407502     | GROMMET - 3156015 - 2.0 LG.                                   | 1    |
| 17    | 4844035     | COVER - TRAY MOTORS (USED WITH SPIRAL MODULE ONLY)            | 1    |
| 18    | 4844032     | SEAL - MOTOR SHIELD (USED WITH SPIRAL MODULE ONLY)            | 1    |
| 19    | 4407800     | SPIRAL MODULE ASSEMBLY - 3 SELECT (SEE FIGURE 62 FOR DETAILS) | OPT  |
| 20    | 4407700     | PUSHER MODULE ASSEMBLY (SEE FIGURE 60 FOR DETAILS)            | OPT  |
| -     | 5201267     | PUSH ON RETAINER .312   | 4    |



157P0217

Figure 60. Pusher Module Assembly





## Refreshment Center 3 Parts Manual

TABLE 60. PUSHER MODULE ASSEMBLY

| INDEX | PART NUMBER | DESCRIPTION  | QTY. |
|-------|-------------|--|------|
| -     | 4407700     | PUSHER MODULE ASSEMBLY                                       | -    |
| 1     | 4744555     | MOTOR & PCB ASSEMBLY   | 1    |
| 2     | 4402038     | SCREW #8-15 X .38 STAINLESS                                  | 5    |
| 3     | 2342315     | CLIP - WIRE HARNESS  | 1    |
| 4     | 4407502     | GROMMET - 3156015 - 2.0 LONG                                 | 2    |
| 5     | 4407710     | GEAR - EJECTOR SHAFT   | 1    |
| 6     | 5220463     | ROLL PIN .093 X 7/16   | 2    |
| 7     | 4402213     | SPACER - PRODUCT   | 1    |
| 8     | 4407742     | SHAFT - EJECTOR  | 1    |
| 9     | 4407722     | BUSHING - EJECTOR SHAFT                                      | 1    |
| 10    | 4407708     | CAM - EJECTOR  | 1    |
| 11    | 4407739     | STUD - EJECTOR - PUSHER                                      | 2    |
| 12    | 4407740     | STUD - EJECTOR - BRACKET - LEFT                              | 1    |
| 13    | 4407716     | ARM - EJECTOR - LEFT   | 1    |
| 14    | 4407717     | ARM - EJECTOR - RIGHT  | 1    |
| 15    | 4407735     | BRACKET - EJECTOR  | 1    |
| 16    | 4407741     | STUD - EJECTOR BRACKET - RIGHT                               | 1    |
| 17    | 4407729     | ROLLER & SHAFT ASSEMBLY - PUSHER (CONTAINS THE NEXT 3 ITEMS) | 1    |
| 17    | 4407731     | SHAFT - PUSHER MODULE  | 1    |
| 17    | 4407730     | ROLLER - PUSHER MODULE                                       | 2    |
| 17    | 2366055     | SPEED CLIP COMPRESSION RING                                  | 2    |
| 18    | 4407736     | STOP - PACKAGE   | 1    |
| 19    | 6104429     | KEPS NUT #6-32 S.S. EXT LW                                   | 2    |
| 20    | 4407737     | KEEPER - STOP  | 1    |
| 21    | 4407738     | GUIDE - PACKAGE  | 1    |
| 22    | 4402039     | SCREW #6-32 X 1/4 RHS - S.S.                                 | 2    |
| 23    | 4402212     | FRAME ASSEMBLY - PUSHER                                      | 1    |
| 24    | 4407707     | RETAINER - GUIDE   | 2    |
| 25    | 4407713     | SPRING - PUSHER  | 1    |
| 26    | 4407728     | LABEL - SOLD OUT   | 1    |
| 27    | 4407714     | PUSHER - PRODUCT   | 1    |
| 28    | 4407712     | COUPLING - MOTOR   | 1    |
| 29    | 4407711     | GEAR - DRIVE - PUSHER  | 1    |
| 30    | 4407734     | BRACKET & MOTOR PANEL ASSEMBLY                               | 1    |

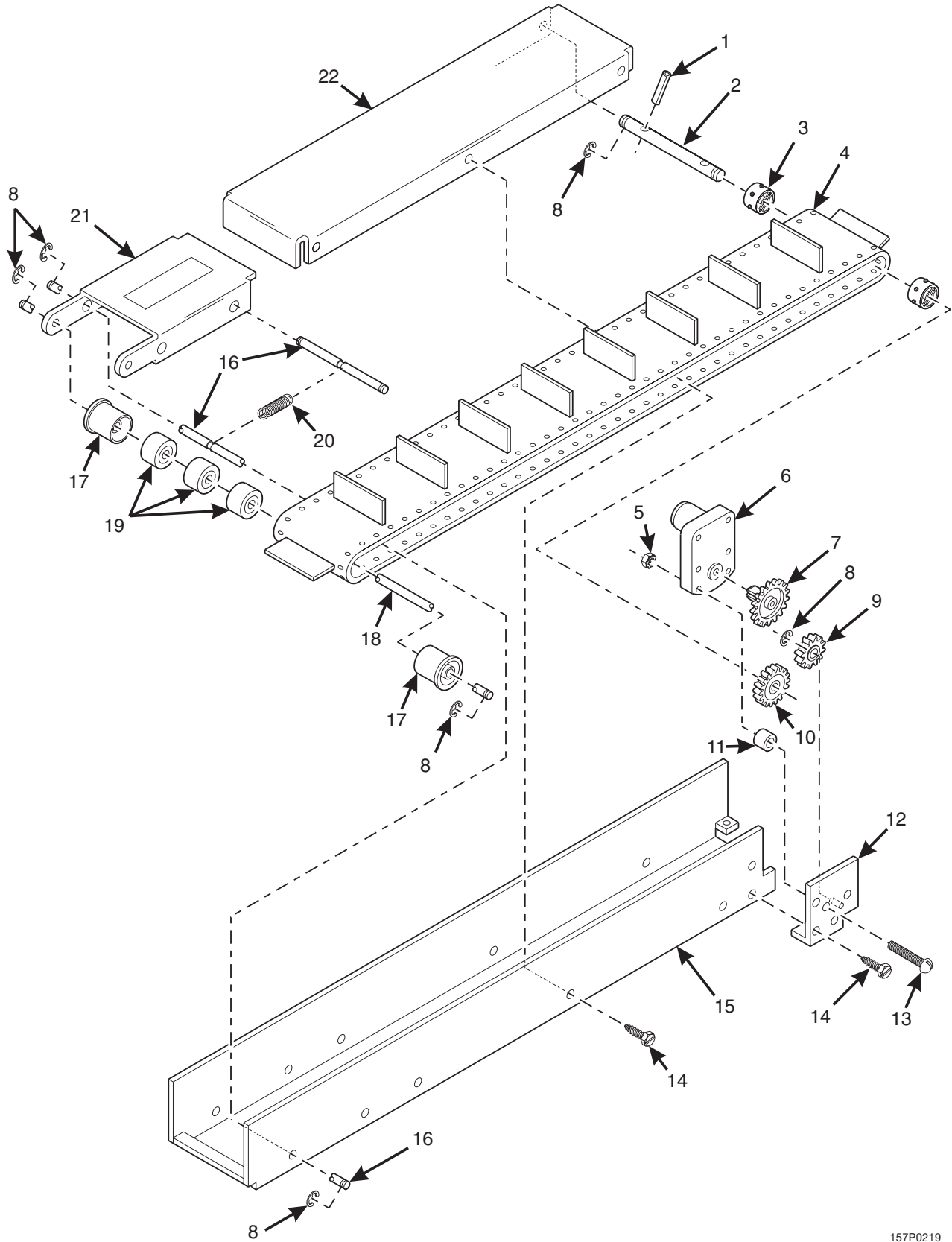


Figure 61. Belt Module Assembly

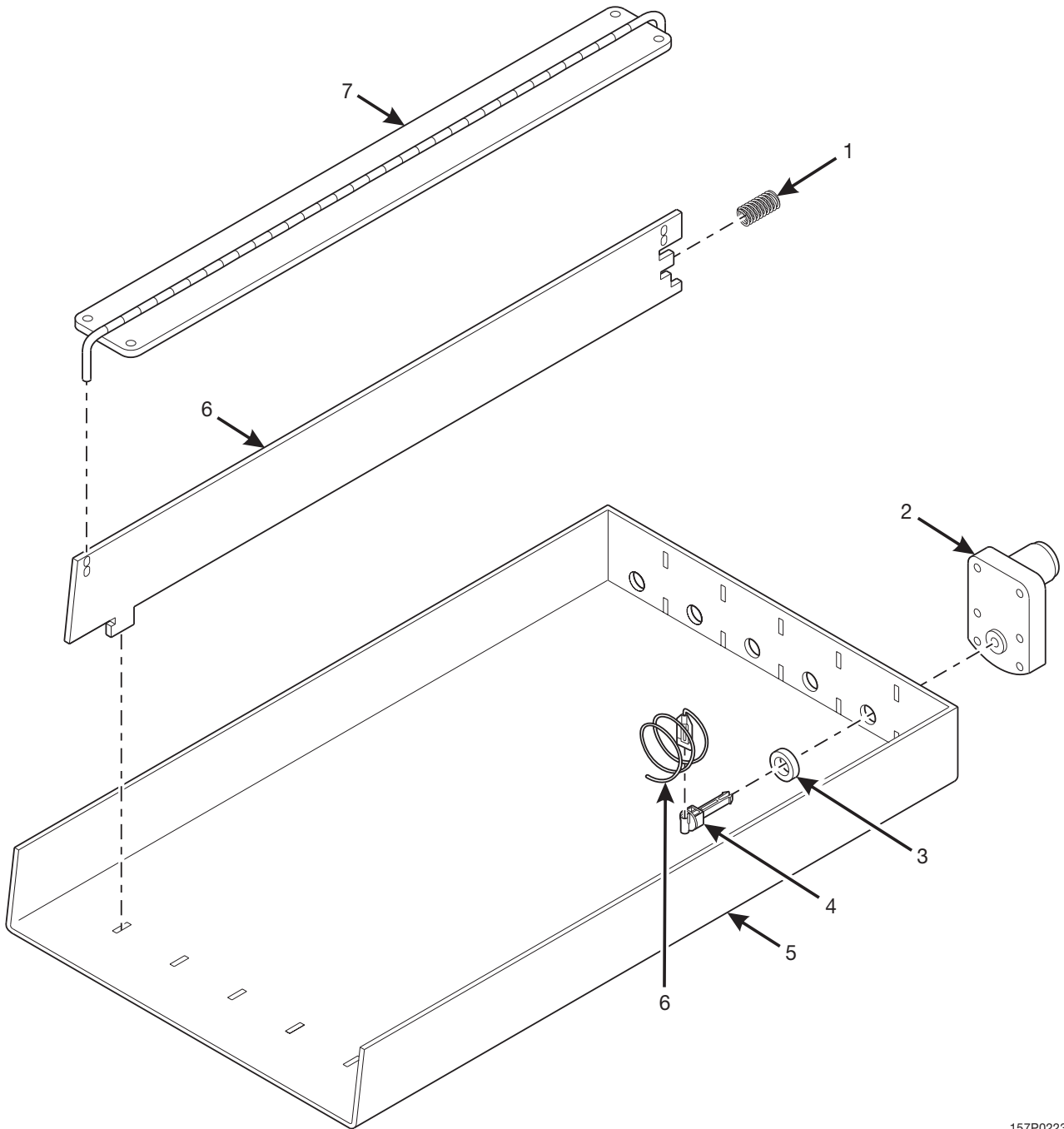
157P0219



## Refreshment Center 3 Parts Manual

TABLE 61. BELT MODULE ASSEMBLY

| INDEX | PART NUMBER | DESCRIPTION                   | QTY. |
|-------|-------------|-------------------------------|------|
| -     | 4407600     | BELT MODULE ASSEMBLY          | -    |
| 1     | 6104219     | ROLL PIN                      | 2    |
| 2     | 4407634     | SHAFT - DRIVE SPROCKET        | 1    |
| 3     | 4407619     | SPROCKET - DRIVE              | 2    |
| 4     | 4407604     | BELT - CONVEYOR               | 1    |
| 5     | 4402043     | NUT #8-32 W/L.W. - S.S.       | 2    |
| 6     | 4744555     | MOTOR & PCB ASSEMBLY          | 1    |
| 7     | 4407615     | GEAR - DRIVE MOTOR            | 1    |
| 8     | 3103029     | WALDES TRUARC RING            | 9    |
| 9     | 4407616     | GEAR - IDLER - BELT MODULE    | 1    |
| 10    | 4407618     | GEAR - BELT DRIVE             | 1    |
| 11    | 4407617     | SPACER - MOTOR                | 2    |
| 12    | 4407622     | BRACKET & STUD ASSEMBLY       | 1    |
| 13    | 4402036     | SCREW #8-32 X 1 3/8 RHS - SS. | 2    |
| 14    | 4402038     | SCREW #8-15 X .38 STAINLESS   | 9    |
| 15    | 4407628     | FRAME ASSEMBLY - BELT MODULE  | 1    |
| 16    | 4407632     | SHAFT - BELT ADJUSTOR         | 2    |
| 17    | 4407611     | ROLLER - BELT - OUTSIDE       | 2    |
| 18    | 4407633     | SHAFT - BELT - FRONT          | 1    |
| 19    | 4407612     | ROLLER - BELT - INSIDE        | 3    |
| 20    | 4407607     | SPRING - BELT TENSION         | 1    |
| 21    | 4407630     | SUPPORT - BELT - FRONT        | 1    |
| 22    | 4407629     | SUPPORT - BELT - REAR         | 1    |



157P0223

Figure 62. Spiral Module Assembly



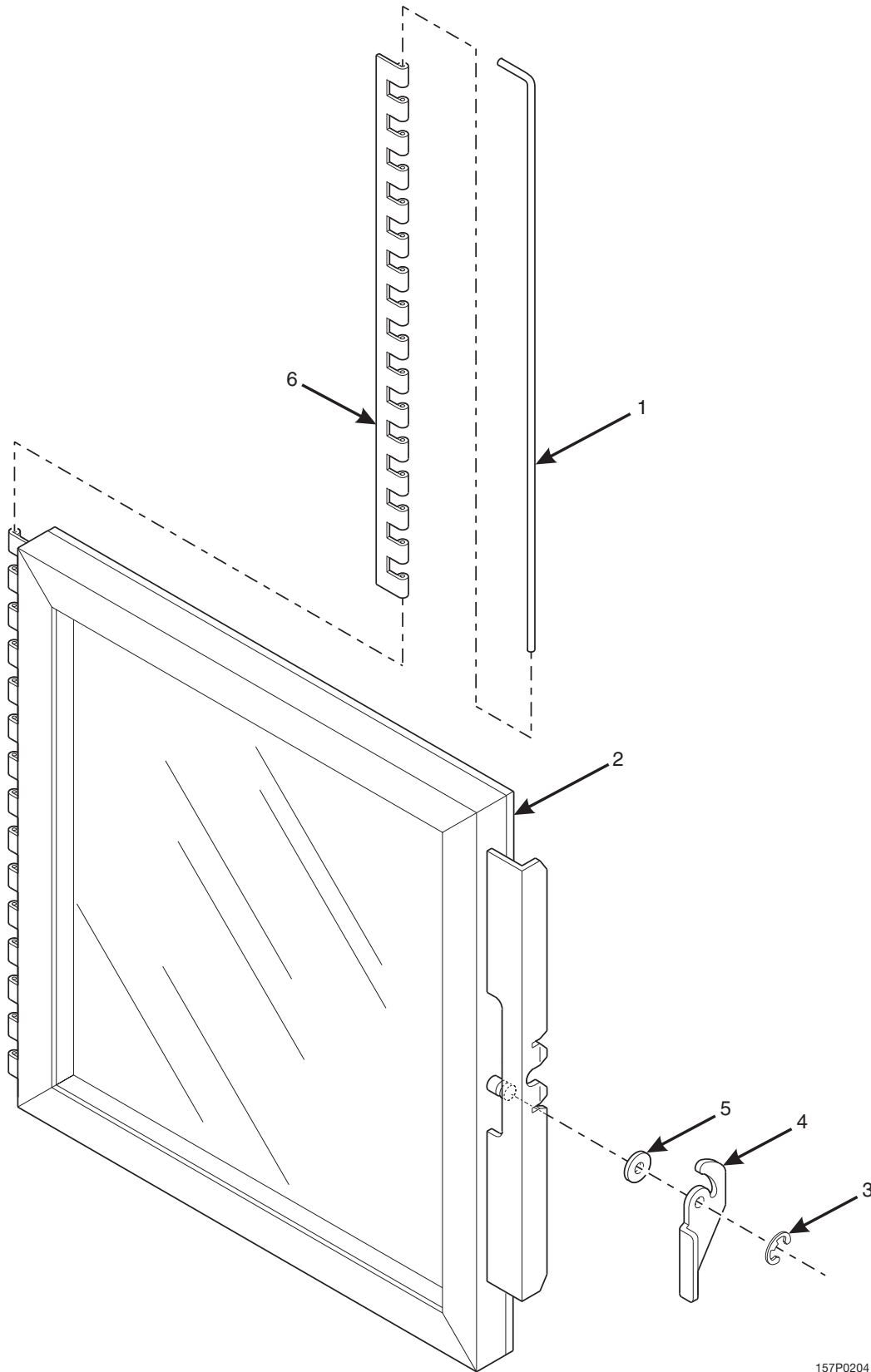
# Refreshment Center 3 Parts Manual

**TABLE 62. SPIRAL MODULE ASSEMBLY**

| INDEX | PART NUMBER | DESCRIPTION                    | QTY. |
|-------|-------------|--------------------------------|------|
| 1     | 4407808     | SPRING - DIVIDER               | 2    |
| 2     | 4744555     | MOTOR & PCB ASSEMBLY           | 6    |
| 3     | 4407803     | SPACER - MOTOR                 | 6    |
| 4     | 1477113     | COUPLING - SPIRAL              | 6    |
| 5     | 4407842     | FRAME ASSEMBLY - SPIRAL MODULE | 1    |
| 6     | 4407844     | DIVIDER - SPIRAL MODULE        | 2    |
| 7     | 4407843     | SPACER - ADJUSTABLE            | 1    |

**TABLE 63. SPIRAL OPTIONS (FOR REFRIGERATED / FROZEN FOOD TRAYS)**

| SPIRAL COUNT | RETAINER COLOR | RETAINER | LEFT HAND |         | RIGHT HAND |         |
|--------------|----------------|----------|-----------|---------|------------|---------|
|              |                |          | ASSEMBLY  | SPIRAL  | ASSEMBLY   | SPIRAL  |
| 5            | TAN            | 4407817  | 4407815   | 4407816 | 4407818    | 4407819 |
| 6            | DK. GREEN      | 4407822  | 4407820   | 4407821 | 4407823    | 4407824 |
| 7            | MAUVE          | 4407827  | 4407825   | 4407826 | 4407828    | 4407829 |
| 9            | AQUA           | 4407833  | 4407830   | 4407832 | 4407834    | 4407835 |
| 12           | BLACK          | 1477073  | 4407837   | 4407838 | 4407839    | 4407840 |



157P0204

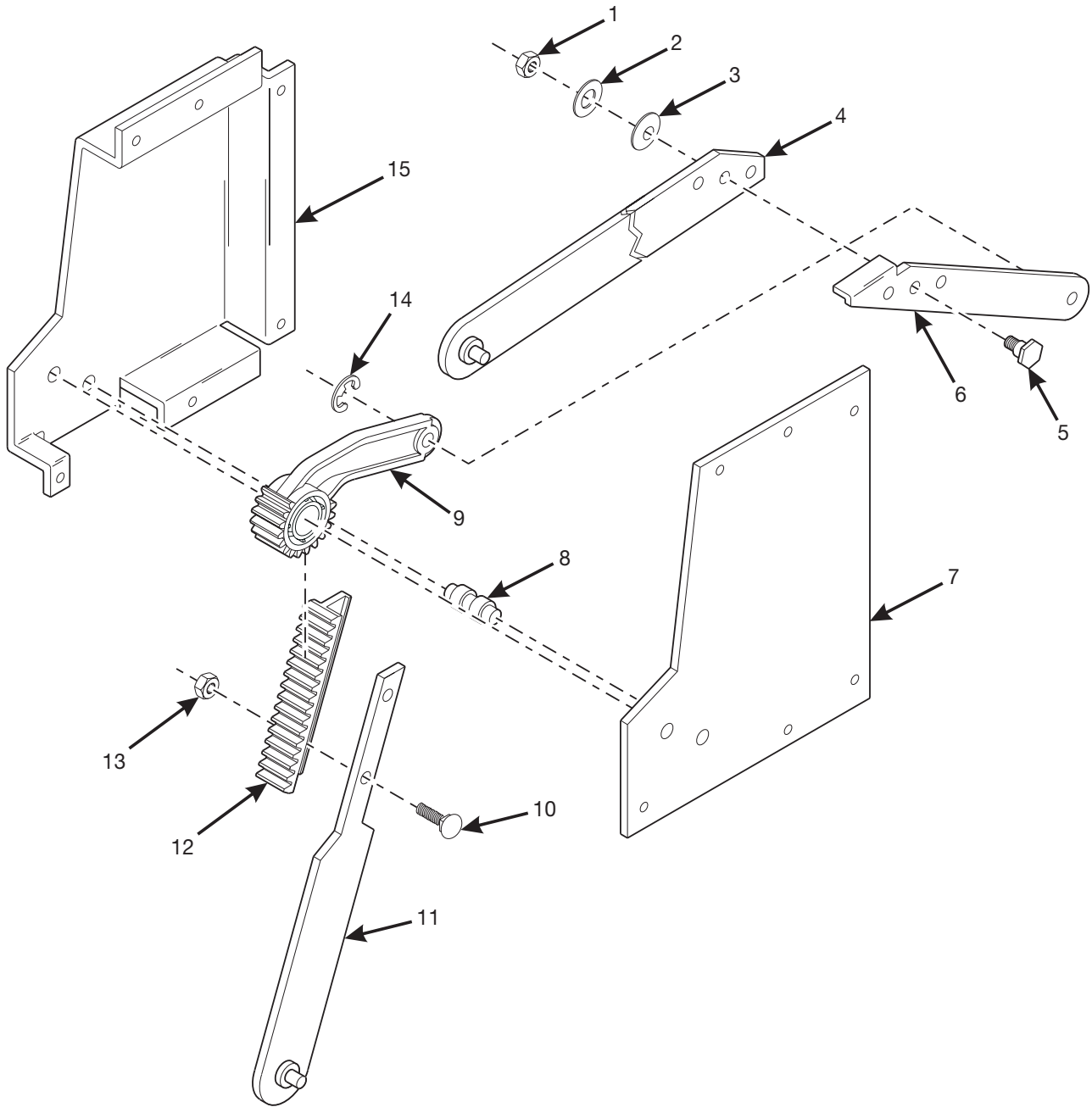
Figure 64. Door Assembly - Refrigerated Food Module



## Refreshment Center 3 Parts Manual

**TABLE 64. DOOR ASSEMBLY - REFRIGERATED FOOD MODULE**

| INDEX | PART NUMBER | DESCRIPTION                            | QTY. |
|-------|-------------|--|------|
| -     | 4407115     | DOOR ASSEMBLY REFRIGERATED FOOD MODULE | -    |
| 1     | 4407120     | PIN - HINGE                            | 1    |
| 2     | -           | DOOR (NOT AVAILABLE SEPARATELY)        | 1    |
| 3     | 9900425     | RETAINING RING REINF. E TYP. 250       | 1    |
| 4     | 4407160     | LEVER - LATCH                          | 1    |
| 5     | 5220113     | SPRING WASHER .500 X .254 X .006       | 1    |
| 6     | 4407132     | HINGE - FOOD MODULE DOOR               | 1    |



157P0206

Figure 65. Left Hand Drive Arm Assembly

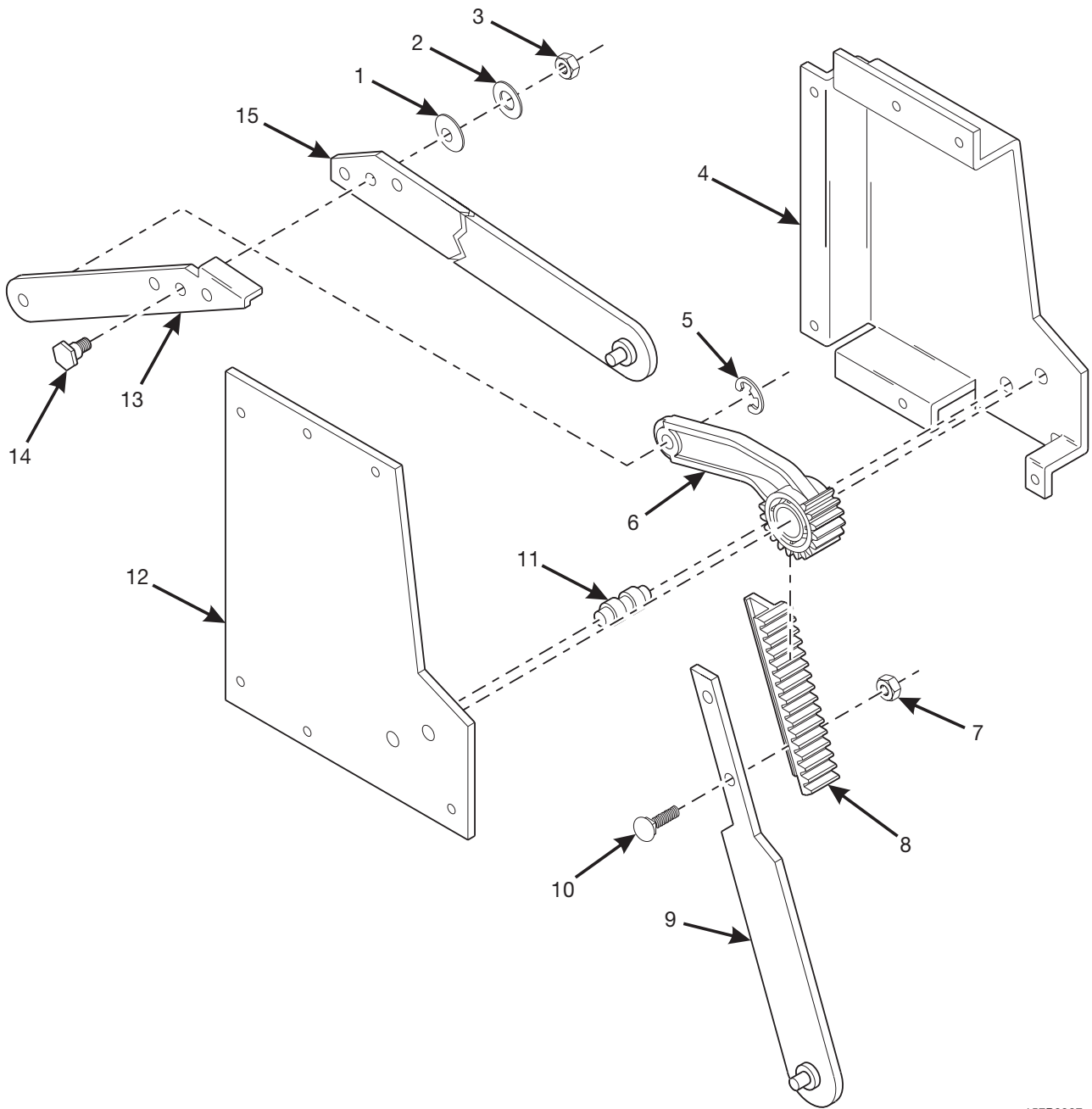




## Refreshment Center 3 Parts Manual

TABLE 65. LEFT HAND DRIVE ARM ASSEMBLY

| INDEX | PART NUMBER | DESCRIPTION                              | QTY. |
|-------|-------------|--|------|
| -     | 4407069     | DRIVE ARM ASSEMBLY - R.H.                | 1    |
| 1     | 2202109     | SPRING WASHER                            | 1    |
| 2     | 5202012     | SPACER EXTENSION BAR                     | 1    |
| 3     | 1412046     | 8-32 NUT MF 23TW832 BLOX                 | 1    |
| 4     | 4407134     | COVER - TOGGLE - R.H.                    | 1    |
| 5     | 9900425     | RETIANING RING REINF E TYP. 250          | 1    |
| 6     | 4975011     | ARM - TOGGLE                             | 1    |
| 7     | 9900072     | NUT #8-32 SELF-LOCKING                   | 2    |
| 8     | 4407066     | RACK - DRIVE                             | 1    |
| 9     | 4407067     | DRIVE RACK ARM ASSEMBLY                  | 1    |
| 10    | 1306140     | 8-32 X 3/8 CARRIAGE BOLT BLK/OX          | 2    |
| 11    | 4407055     | ROLLER - DRIVE RACK                      | 1    |
| 12    | 4407070     | PLATE - TOGGLE - R.H.                    | 1    |
| 13    | 4407074     | FRAME DRIVE ARM ASSEMBLY                 | 1    |
| 14    | 4407058     | PIVOT - FRAME DRIVE ARM                  | 1    |
| 15    | 4407139     | ARM - LONG - DOOR FRAME - R.H. - PAINTED | 1    |



157P0207

Figure 66. Right Hand Drive Arm Assembly



## Refreshment Center 3 Parts Manual

TABLE 66. RIGHT HAND DRIVE ARM ASSEMBLY

| INDEX | PART NUMBER | DESCRIPTION                              | QTY. |
|-------|-------------|--|------|
| -     | 4407069     | DRIVE ARM ASSEMBLY - R.H.                | 1    |
| 1     | 2202109     | SPRING WASHER                            | 1    |
| 2     | 5202012     | SPACER EXTENSION BAR                     | 1    |
| 3     | 1412046     | 8-32 NUT MF 23TW832 BLOX                 | 1    |
| 4     | 4407134     | COVER - TOGGLE - R.H.                    | 1    |
| 5     | 9900425     | RETIANING RING REINF E TYP. 250          | 1    |
| 6     | 4975011     | ARM - TOGGLE                             | 1    |
| 7     | 9900072     | NUT #8-32 SELF-LOCKING                   | 2    |
| 8     | 4407066     | RACK - DRIVE                             | 1    |
| 9     | 4407067     | DRIVE RACK ARM ASSEMBLY                  | 1    |
| 10    | 1306140     | 8-32 X 3/8 CARRIAGE BOLT BLK/OX          | 2    |
| 11    | 4407055     | ROLLER - DRIVE RACK                      | 1    |
| 12    | 4407070     | PLATE - TOGGLE - R.H.                    | 1    |
| 13    | 4407074     | FRAME DRIVE ARM ASSEMBLY                 | 1    |
| 14    | 4407058     | PIVOT - FRAME DRIVE ARM                  | 1    |
| 15    | 4407139     | ARM - LONG - DOOR FRAME - R.H. - PAINTED | 1    |

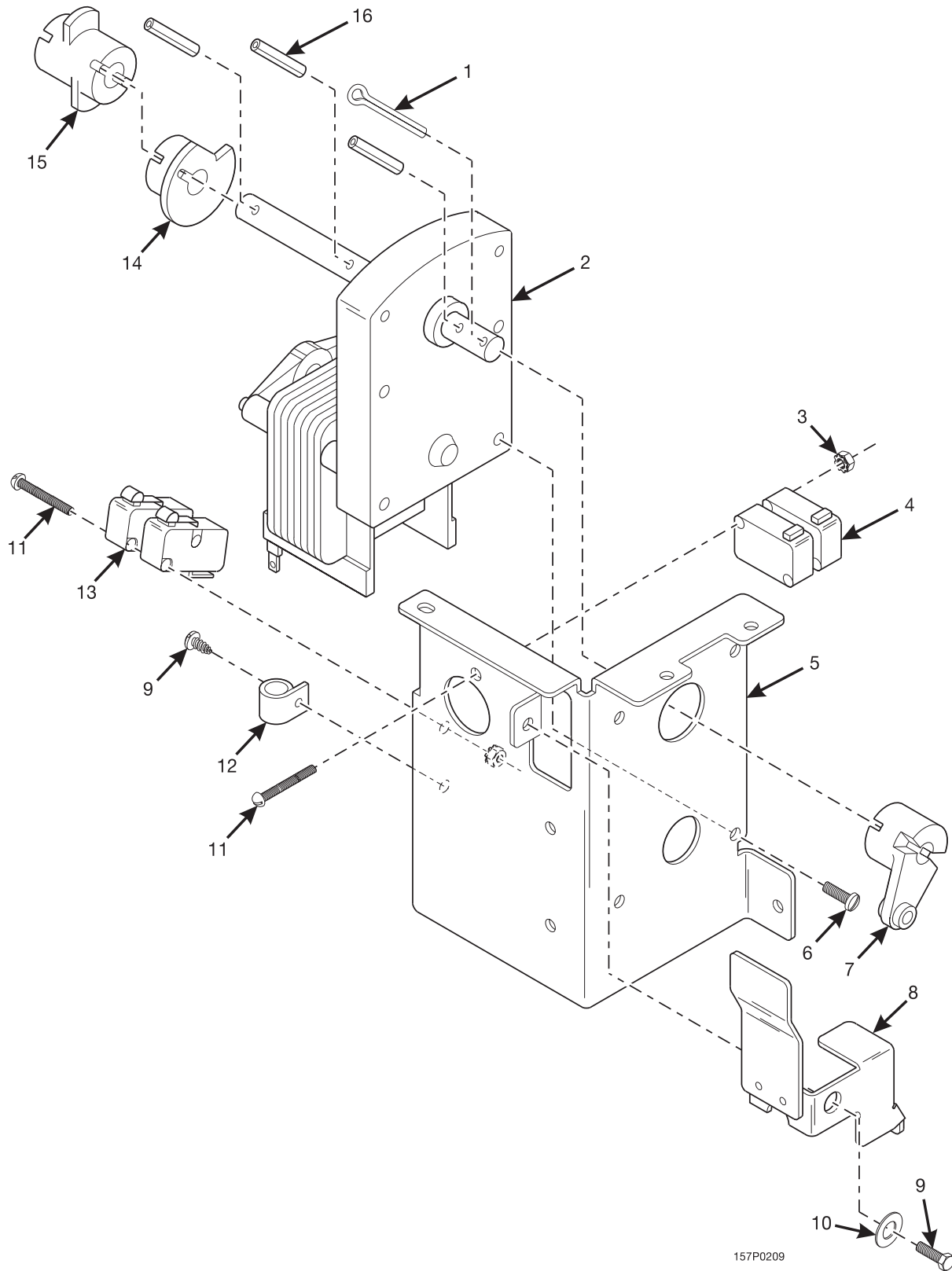


Figure 67. Motor Mounting Bracket Assembly



## Refreshment Center 3 Parts Manual

TABLE 67. MOTOR MOUNTING BRACKET ASSEMBLY

| INDEX | PART NUMBER | DESCRIPTION                            | QTY. |
|-------|-------------|--|------|
| -     | 4407077     | MOTOR MOUNTING BRACKET ASSEMBLY - 110V | 1    |
| -     | 4847017     | MOTOR MOUNTING BRACKET ASSEMBLY - 230V | 1    |
| 1     | 9900098     | COTTER PIN - 3/32 X 3/4 IN.            | 1    |
| 2     | 4407157     | MOTOR - FOOD MODULE (110V)             | 1    |
| 2     | 4847003     | MOTOR - FOOD MODULE (230V)             | 1    |
| 3     | 1217159     | 4-40 KEPS W/EXT L/WAS H ZP             | 4    |
| 4     | 2306488     | SWITCH V3 - 1101 - D8                  | 2    |
| 5     | 4407131     | MOUNTING BRACKET - MOTOR               | 1    |
| 6     | 9900023     | SCREW - #8-32 X .37 PHS W/LW           | 4    |
| 7     | 4407079     | ARM - DRIVE                            | 1    |
| 8     | 4407084     | ACTUATOR ASSEMBLY - H.C. SWITCH        | 1    |
| 9     | 1451097     | SCREW - #8-32 X .31 HEX HD. TF - BLK   | 2    |
| 10    | 2228011     | SPACER RELEASE ARM                     | 1    |
| 11    | 5201086     | SCREW #4-40 X 1 RHS                    | 4    |
| 12    | 1452139     | RETAINER - HARNESS                     | 1    |
| 13    | 2304109     | SWITCH ROLLER LEVER V3L - 139 - D8     | 2    |
| 14    | 4407093     | CAM - H.C. SWITCH OVERRIDE             | 1    |
| 15    | 4407080     | COUPLING - MOTOR & DRIVE SHAFT         | 1    |
| 16    | 3127034     | ROLL PIN 1/8 X 13/16                   | 3    |

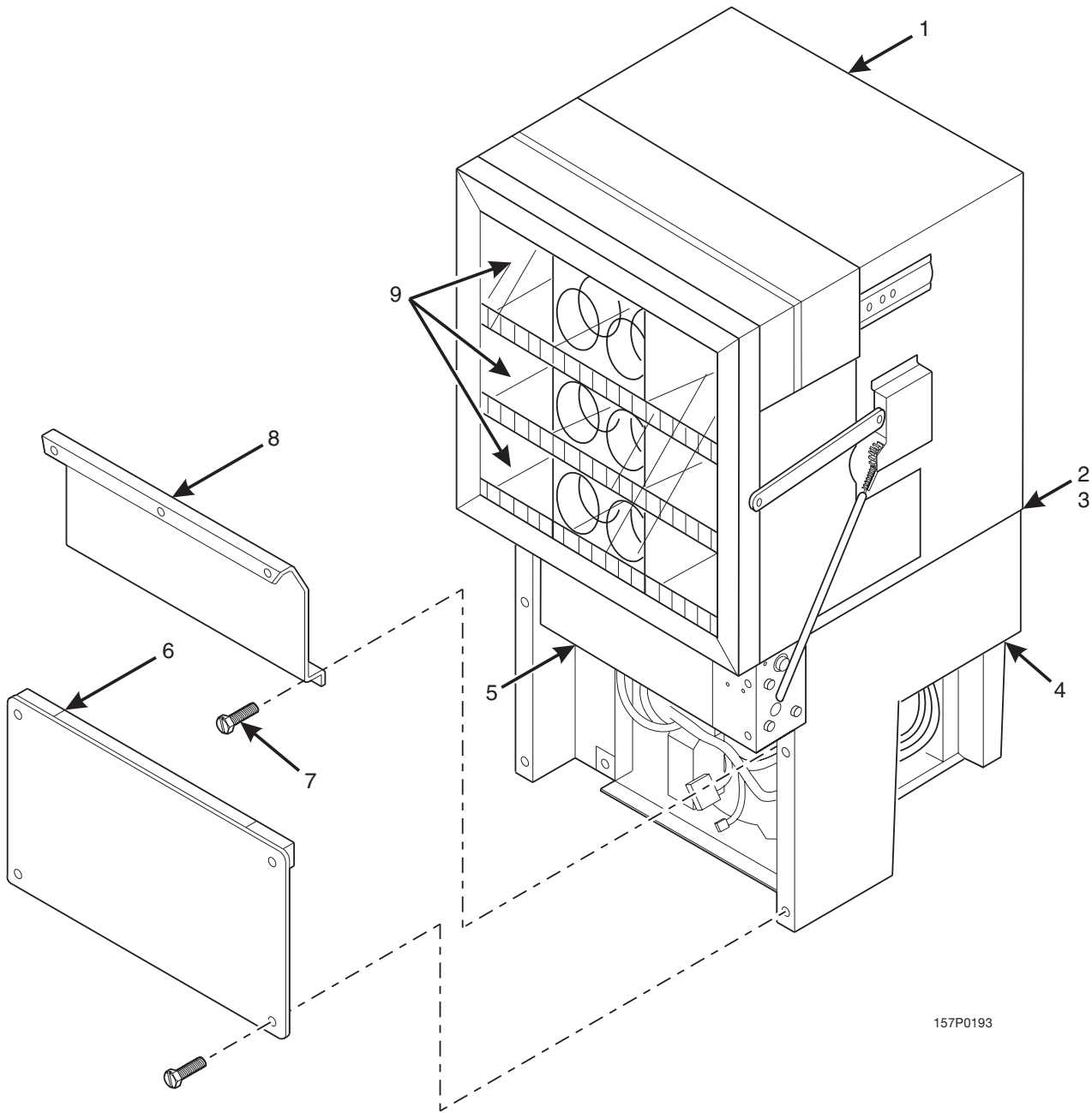


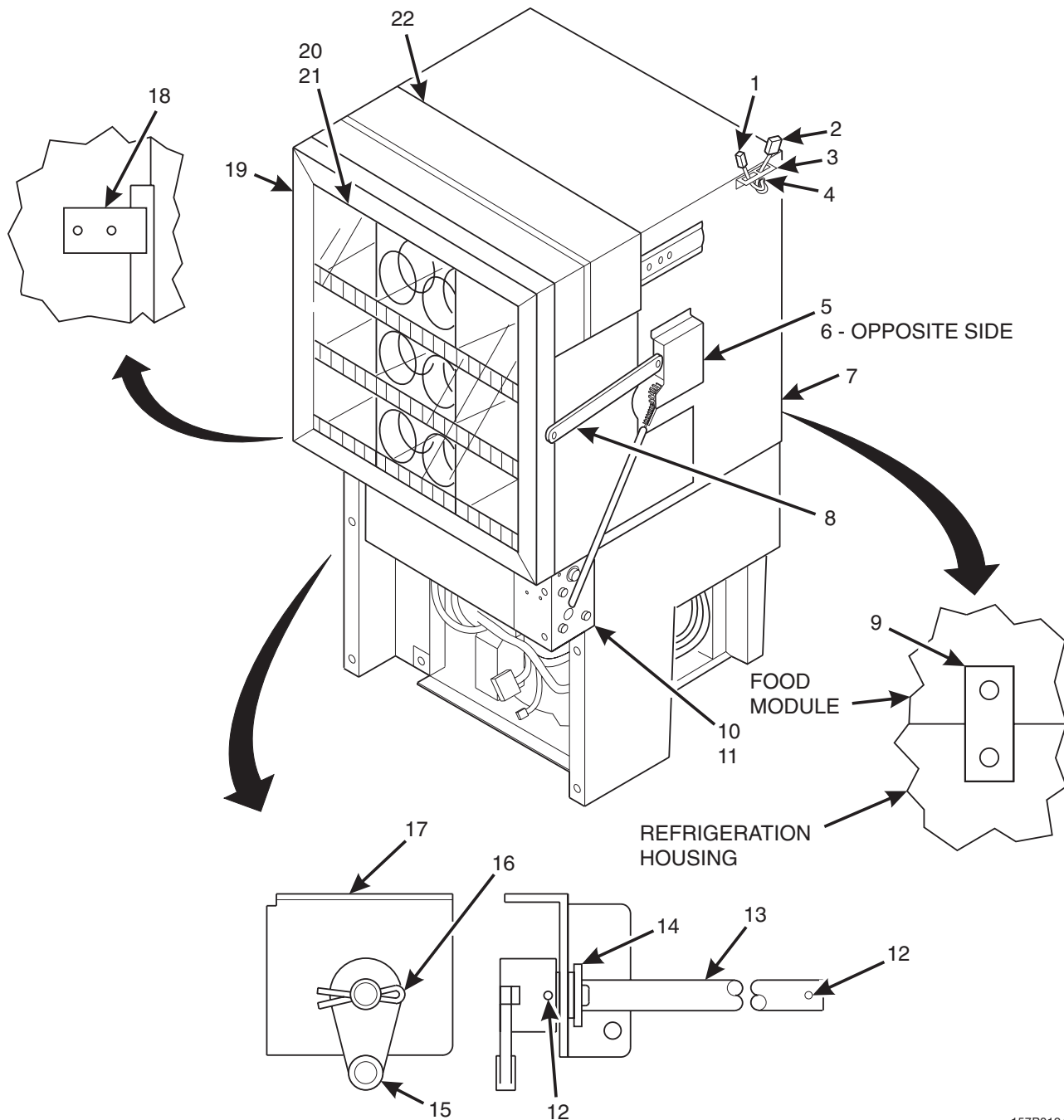
Figure 68. Frozen Food Module and Housing Assembly



## Refreshment Center 3 Parts Manual

**TABLE 68. FROZEN FOOD MODULE AND HOUSING ASSEMBLY**

| INDEX | PART NUMBER | DESCRIPTION   | QTY. |
|-------|-------------|---|------|
| 1     | 4847005     | REFRIGERATED FOOD MODULE ASSEMBLY - 110V            | 1    |
| 1     | 4847018     | REFRIGERATED FOOD MODULE ASSEMBLY - 220V            | 1    |
| 2     | 4404013     | GASKET - REFRIGERATED MODULE - OUTSIDE              | 1    |
| 3     | 4744017     | GASKET - REFRIGERATED MODULE                        | 1    |
| 4     | 4844010     | REFRIGERATION MODULE ASSEMBLY - 110V                | 1    |
|       | 4874007     | REFRIGERATION MODULE ASSEMBLY - DANFOSS (230V)      |      |
| 5     | 4744027     | DOOR - REFRIGERATION MODULE                         | 1    |
| 6     | 4851075     | COVER & SEAL ASSEMBLY - COMPRESSOR (MODEL 785, 786) | 1    |
| 6     | 4881038     | COVER & SEAL ASSEMBLY - COMPRESSOR (MODEL 788, 789) | 1    |
| 7     | 4727144     | SCREW - #8-18X.62 HEX HEAD                          | 6    |
| 8     | 4744042     | DOOR - RETAINER                                     | 1    |
| 9     | -           | TRAY ASSEMBLIES (SEE FIGURE 59 FOR DETAILS)         | 3    |



157P0194

Figure 69. Major Components - Frozen Food Module





# Refreshment Center 3 Parts Manual

**TABLE 69. MAJOR COMPONENTS - FROZEN FOOD MODULE**

| INDEX | PART NUMBER | DESCRIPTION  | QTY. |
|-------|-------------|--|------|
| 1     | 4119013     | PROBE - TEMPERATURE SENSOR   | 1?   |
| 2     | 4407009     | JUMPER - CHANNEL PCB - FOOD MODULE                                 | 1    |
| 3     | 4407002     | BRACKET - CABLE PLUG   | 1    |
| -     | 4721035     | SCREW - #8-18 X .38 - LGM  | 2    |
| 4     | 3502097     | BUSHING #OCB - 500   | 1    |
| 5     | 4407069     | DRIVE ARM ASSEMBLY - R.H. (SEE FIGURE 66 FOR DETAILS)              | 1    |
| -     | 9900425     | RETAINING RING REINF. E TYP. 250                                   | 1    |
| -     | 1451097     | SCREW - 8-32 X .31 HEX HD. TF - BLK                                | 5    |
| 6     | 4407052     | DRIVE ARM ASSEMBLY - L.H. (SEE FIGURE 65 FOR DETAILS)              | 1    |
| -     | 9900425     | RETAINING RING REINF. E TYP. 250                                   | -    |
| -     | 1451097     | SCREW - 8-32 X .31 HEX HD. TF - BLK                                | -    |
| 7     | 4747710     | HOUSING - LINER ASSEMBLY - FRZN FOOD                               | 1    |
| 8     | 9900431     | RETAINING RING REINF. E TYP. 312                                   | 1    |
| 9     | 4747062     | MOUNTING STRAP - CAN MODULE  | 2    |
| -     | 4721035     | SCREW - #8-18 X .38 - LGM  | -    |
| -     | 4727144     | SCREW - #818 X .62 HEX HEAD  | -    |
| 10    | 4407077     | MOTOR MOUNTING BRACKET ASSEMBLY (110V) (SEE FIGURE 67 FOR DETAILS) | 1    |
| 10    | 4847017     | MOTOR MOUNTING BRACKET ASSEMBLY (230V) (SEE FIGURE 67 FOR DETAILS) | 1    |
| 11    | 4747725     | COVER - MOTOR ASSEMBLY   | 1    |
| -     | 1451097     | SCREW - #8-32 X .31 HEX HD. TF - BLK                               | 5    |
| -     | 4407086     | DRIVE SHAFT ASSEMBLY (INCLUDES INDEX NUMBERS 12 - 17)              | 1    |
| 12    | 3127034     | ROLL PIN 1/8 X 13/16   | 2    |
| 13    | 4407087     | SHAFT - DRIVE  | 1    |
| 14    | 4047012     | SHOULDER BUSHING   | 1    |
| 15    | 4407079     | ARM - DRIVE  | 1    |
| 16    | 9900098     | COTTER PIN 3/32 X 3/4 IN.  | 2    |
| 17    | 4407088     | BRACKET - DRIVE SHAFT  | 1    |
| 18    | 4844027     | GUIDE - DOOR FRAME SUPPORT   | 1    |
| -     | 4721035     | SCREW  | 2    |
| -     | 4727144     | SCREW  | 2    |
| 19    | 4407115     | DOOR ASSEMBLY - FROZEN FOOD MODULE (SEE FIGURE 70 FOR DETAILS)     | 1    |
| -     | 5500026     | SCREW - 8-32 X 3/8 PHS T/F   | -    |
| 20    | 4741223     | DECAL - COLD/FROZEN FOOD   | 1    |
| 21    | 4612001     | DECAL - "CHILLED FOR FRESHNESS"                                    | 1    |
| 22    | 4747716     | DOOR FRAME ASSEMBLY (SEE FIGURE 56 FOR DETAILS)                    | 1    |
| -     | 5500026     | SCREW - 8-32 X 3/8 PHS T/F   | 1    |

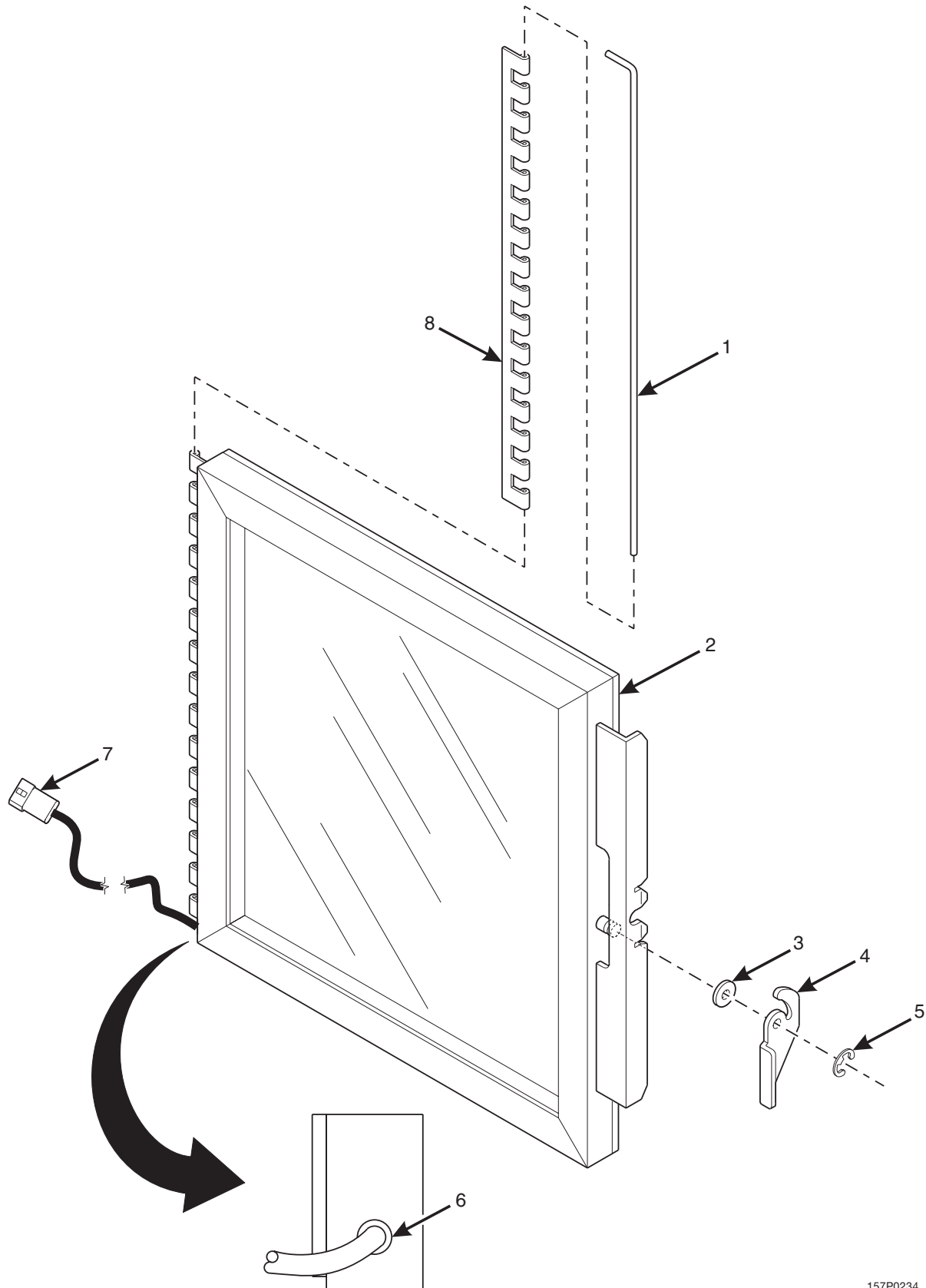


Figure 70. Door Assembly - Frozen Food Module

157P0234



## Refreshment Center 3 Parts Manual

TABLE 70. DOOR ASSEMBLY - FROZEN FOOD MODULE

| INDEX | PART NUMBER | DESCRIPTION                             | QTY. |
|-------|-------------|---|------|
| -     | 4747704     | DOOR ASSEMBLY FROZEN FOOD MODULE (110V) | -    |
| -     | 4877005     | DOOR ASSEMBLY FROZEN FOOD MODULE (220V) | -    |
| 1     | 4407120     | PIN - HINGE                             | 1    |
| 2     | -           | DOOR (NOT AVAILABLE SEPARATELY)         | 1    |
| 3     | 5220113     | SPRING WASHER .500 X .254 X .006        | 1    |
| 4     | 4407160     | LEVER - LATCH                           | 1    |
| 5     | 9900425     | RETAINING RING REINF E TYP. 250         | 1    |
| 6     | 4747718     | HEYCO - .281 ID X .250 LG.              | 1    |
| 7     | 1271057     | PLUG 2 CIRCUIT #03-09-2022              | 1    |
| 8     | 4407132     | HINGE - FOOD MODULE DOOR                | 1    |

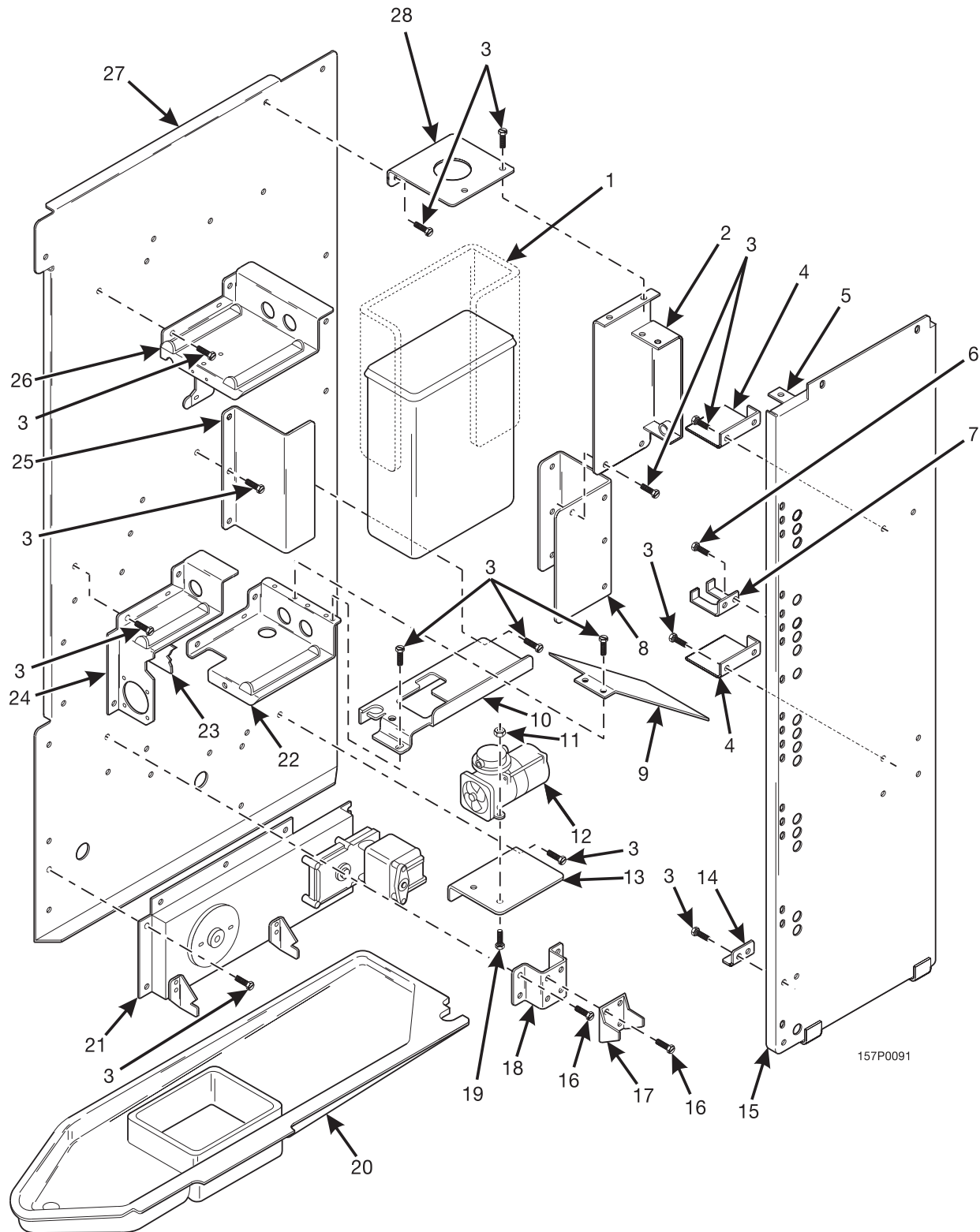


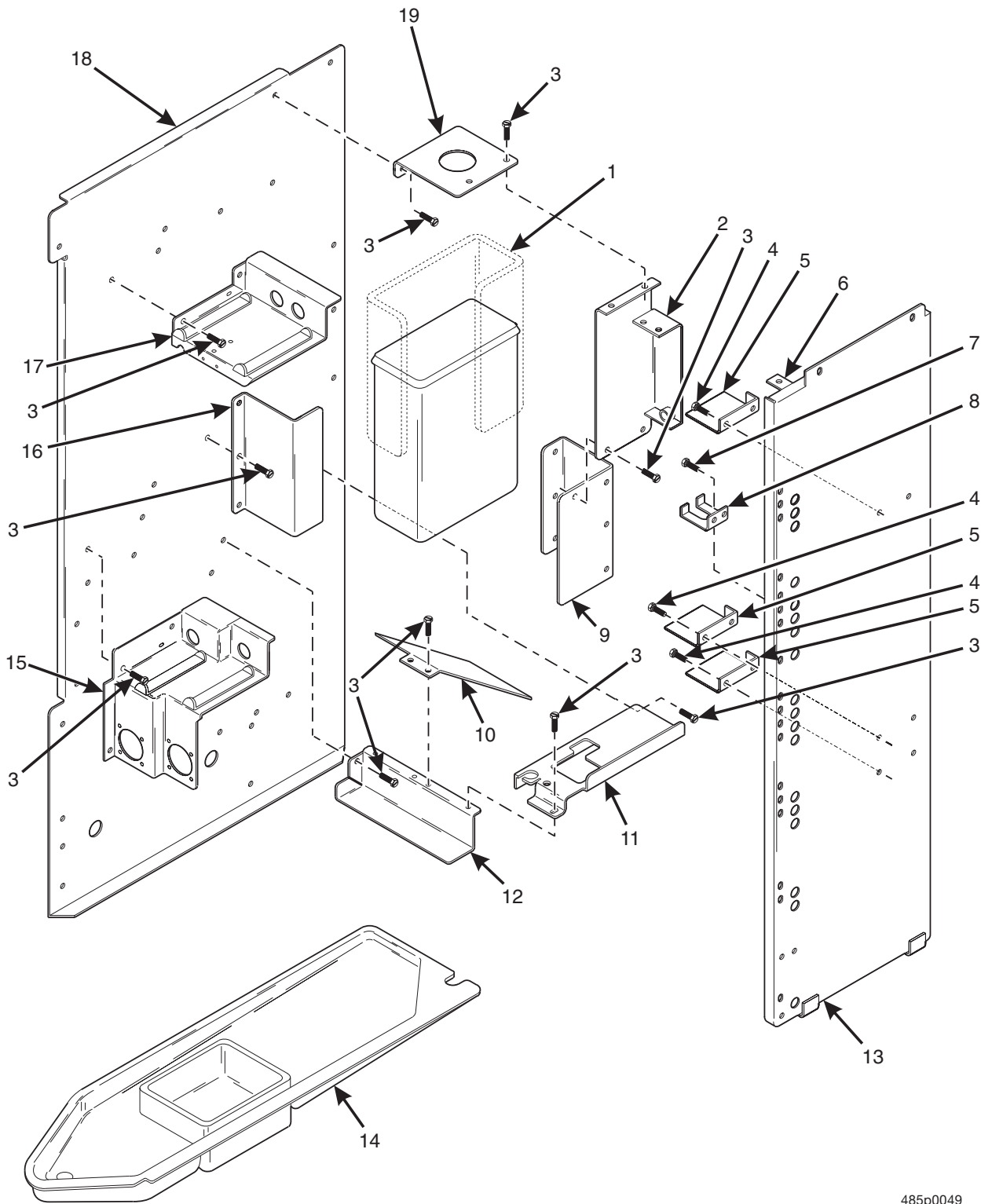
Figure 71. Hot Drink Module (Models 785 and 788)



# Refreshment Center 3 Parts Manual

**TABLE 71. HOT DRINK MODULE (MODELS 785 AND 788)**

| INDEX | PART NUMBER | DESCRIPTION   | QTY. |
|-------|-------------|---|------|
| 1     | 4731078     | INSULATION-WATER TANK   | 1    |
| 2     | 4711007     | COUPLING & BRACKET ASSEMBLY (SEE FIGURE 99 FOR DETAILS)                             | REF  |
| 3     | 3157060     | SCREW-#8-32 X .31 HEX W/ HD. SLOTTED-T/F-ZINC PL                                    | 52   |
| 4     | 4731017     | SUPPORT-SHELVES   | 2    |
| 5     | 4751071     | ANGLE-SUPPORT-LINER   | 1    |
| -     | 1451097     | SCREW-#8-32X.31 HEX HD.TF-BLK.  | 10   |
| 6     | 9900106     | SCREW #8-32 X 3/8 ACORN HEX HD S/TA   | 2    |
| 7     | 6111056     | BRACKET SPRAY HOSE MOUNTING (OPTIONAL)  | 1    |
| 8     | 4731120     | RETAINER-TANK-REAR  | 1    |
| 9     | 4731077     | SHIELD-WATER  | 1    |
| 10    | 4751021     | SHELF-WATER TANK  | 1    |
| 11    | 9900081     | NUT - #8-32 KEPS - ZINC PLATE   | 2    |
| 12    | 6154280     | COMPRESSOR ASSEMBLY - AIR   | 1    |
| 13    | 4731074     | BRACKET - COMPRESSOR  | 1    |
| 14    | 4751072     | BRACKET-LATCH   | 1    |
| 15    | 4851069     | LINER ASSEMBLY-L.H.-FD  | 1    |
| 16    | 1141046     | SCREW #10-32 X 3/8, ACORN, HEX W/HD   | 3    |
| 17    | 6504209     | HANGER - BREWER   | 1    |
| 18    | 4731080     | BRACKET - BREWER HANGER   | 1    |
| 19    | 9900115     | SCREW - #8-32 X 3/4 RHS   | 2    |
| 20    | 4781005     | TRAY-CENTER PAN   | 1    |
| 21    | 4731282     | DRIVE ASSEMBLY - BREWER (SEE FIGURE 87 FOR DETAILS)                                 | 1    |
| 22    | 4751033     | SHELF ASSEMBLY - COFFEE (SEE FIGURE 73 FOR DETAILS)                                 | 1    |
| 23    | 4751073     | BRACKET AND CONTROL ASSEMBLY  | 1    |
| 24    | 4751064     | SHELF ASSEMBLY - CHOCOLATE (SEE FIGURE 75 FOR DETAILS)                              | 1    |
| 25    | 4761095     | RETAINER - TANK   | 1    |
| 26    | -           | DRY INGREDIENT SYSTEM (SEE FIGURE 80 FOR DETAILS)                                   | -    |
| 27    | 4751264     | PANEL-COFFEE MODULE   | 1    |
| 28    | 4731346     | BLOWER & MOUNTING ASSEMBLY - 115 V (SEE FIGURE 86 FOR DETAILS)                      | 1    |
|       | 4851062     | BLOWER AND MOUNTING ASSEMBLY - 230 V (SEE FIGURE 86 FOR DETAILS)                    |      |
| -     | 6204216     | BREWER ASSEMBLY - NO FILTER (NOT SHOWN) (SEE FIGURE 88 FOR DETAILS)                 | 1    |
| -     | 4851067     | LINER AND BRACKET ASSEMBLY - L.H. (NOT SHOWN) (INCLUDES INDEX NUMBERS 4, 5, 14, 15) | -    |
| -     | 4731180     | BRACKET AND HANGER ASSEMBLY (NOT SHOWN) (INCLUDES INDEX NUMBERS 16, 17, 18)         | -    |



485p0049

Figure 72. Hot Drink Module (Models 786 and 789)



## Refreshment Center 3 Parts Manual

TABLE 72. HOT DRINK MODULE (MODELS 786 AND 789)

| INDEX | PART NUMBER | DESCRIPTION   | QTY. |
|-------|-------------|---|------|
| 1     | 4731078     | INSULATION-WATER TANK   | 1    |
| 2     | 4711007     | COUPLING & BRACKET ASSEMBLY (SEE FIGURE 98 FOR DETAILS)                         | REF  |
| 3     | 3157060     | SCREW-#8-32 X .31 HEX W/ HD. SLOTTED-T/F-ZINC PL                                | -    |
| 4     | 1457097     | SCREW-#8-32X.31 HEX HD.TF-BLK. (786 ONLY)                                       | 6    |
| 5     | 4731017     | SUPPORT-SHELVES   | 3    |
| 6     | 4751071     | ANGLE-SUPPORT-LINER   | 1    |
| -     | 1451097     | SCREW-#8-32X.31 HEX HD.TF-BLK. (ATTACHING PART)                                 | 10   |
| 7     | 9900106     | SCREW #8-32 X 3/8 ACORN HEX HD S/TA   | 2    |
| 8     | 6111056     | BRACKET SPRAY HOSE MOUNTING (OPTIONAL)  | 1    |
| 9     | 4731120     | RETAINER-TANK-REAR  | 1    |
| 10    | 4731077     | SHIELD-WATER  | 1    |
| 11    | 4751021     | SHELF-WATER TANK  | 1    |
| 12    | 4761022     | SUPPORT-WATER TANK  | 1    |
| 13    | 4851069     | LINER ASSEMBLY-L.H.-FD  | 1    |
| 14    | 4791002     | TRAY-CENTER PAN   | 1    |
| 15    | -           | CHOCOLATE/FREEZE DRY COFFEE SHELF ASSEMBLY (SEE FIGURE 75 FOR DETAILS)          | -    |
| 16    | 4761095     | RETAINER - TANK   | 1    |
| 17    | -           | DRY INGREDIENT SYSTEM (SEE FIGURE 80 FOR DETAILS)                               | -    |
| 18    | 4751264     | PANEL-COFFEE MODULE   | 1    |
| 19    | 4731346     | BRACKET & BLOWER ASSEMBLY - 115 V (SEE FIGURE 86 FOR DETAILS)                   | 1    |
|       | 4851062     | BRACKET & BLOWER ASSEMBLY - 230 V (SEE FIGURE 86 FOR DETAILS)                   |      |
| -     | 4861008     | LINER BRACKET ASSEMBLY - L.H. - FD (INCLUDES INDEX NUMBERS 5,6, 13) (NOT SHOWN) |      |

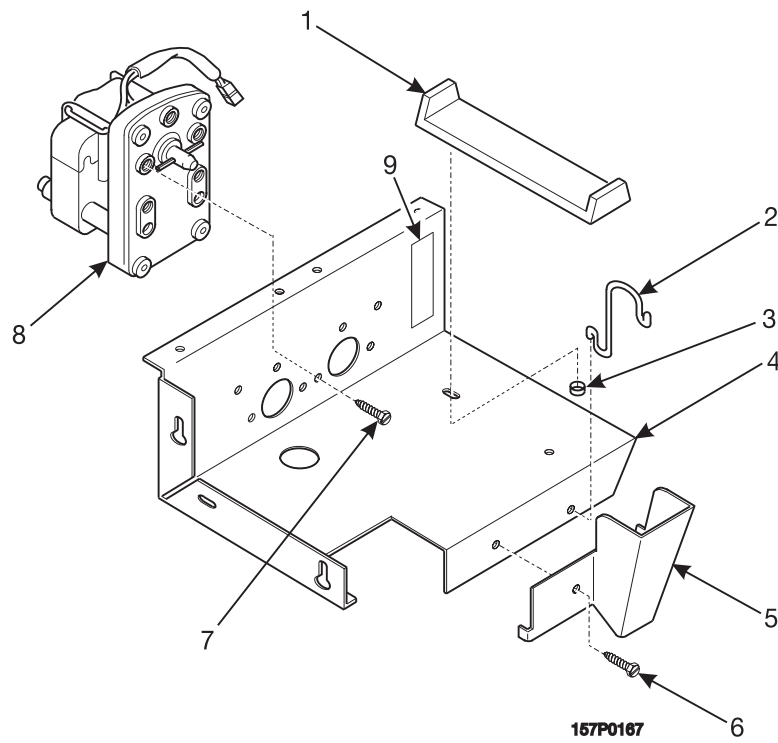


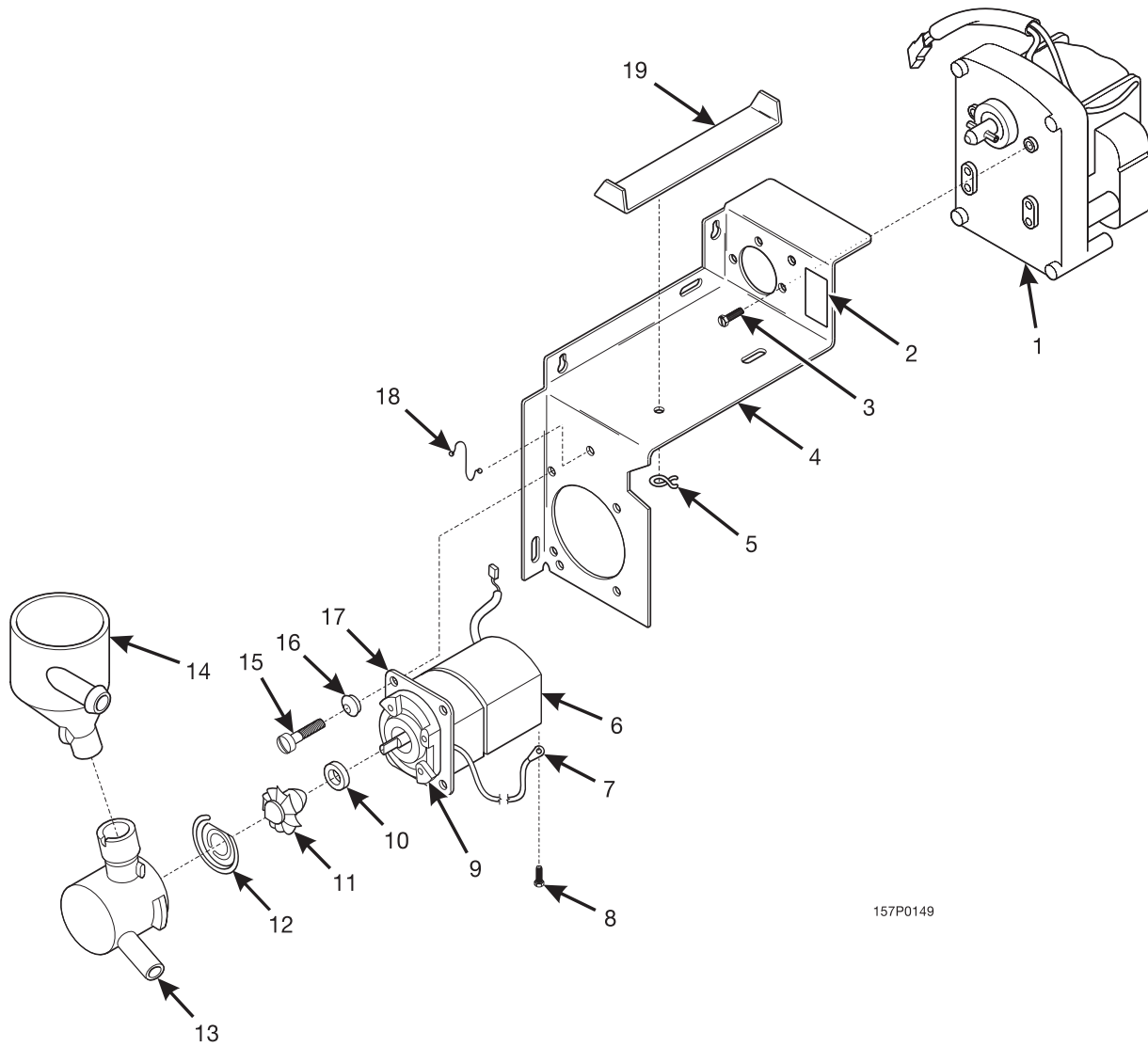
Figure 73. Fresh Brew Coffee Shelf Assembly





**TABLE 73. FRESH BREW COFFEE SHELF ASSEMBLY**

| <b>INDEX</b> | <b>PART NUMBER</b> | <b>DESCRIPTION</b>                 | <b>QTY.</b> |
|--------------|--------------------|------------------------------------|-------------|
| -            | 4751033            | COFFEE SHELF ASSEMBLY              | 1           |
| 1            | 6157037            | LOCATOR - CANISTER                 | 1           |
| 2            | 6207003            | RETAINER - CANISTER - R.H.         | 1           |
| 3            | 2366055            | SPEED CLIP - COMPRESSION RING      | 2           |
| 4            | 4751022            | SHELF - CANISTER - COFFEE          | 1           |
| 5            | 4751035            | CHUTE - COFFEE                     | 1           |
| 6            | 1451097            | SCREW - #8-32X.31 HEX HD.TF - BLK. | 1           |
| 7            | 9900138            | SCREW #8-32 X 1/4 PHS W/LKW        | 3           |
| 8            | 4731059            | MOTOR - 200 RPM                    | 1           |



157P0149

Figure 74. Fresh Brew Chocolate Shelf Assembly



**TABLE 74. FRESH BREW CHOCOLATE SHELF ASSEMBLY**

| INDEX | PART NUMBER | DESCRIPTION   | QTY. |
|-------|-------------|---|------|
| -     | 4751064     | SHELF ASSEMBLY - CHOCOLATE  | -    |
| 1     | 4731059     | MOTOR ASSEMBLY - 200 RPM  | 1    |
| 2     | 6137074     | LABEL - CHOCOLATE   | 1    |
| 3     | 9900138     | SCREW #8 - 32 X 1/4 PHS W/LKW   | 3    |
| 4     | 4751056     | SHELF - CANISTER - CHOCOLATE  | 1    |
| 5     | 2366055     | SPEED CLIP - COMPRESSION RING   | 2    |
| 6     | 6107185     | MOTOR ASSEMBLY - CHOCOLATE WHIPPER                                    | 1    |
| 7     | 9984165     | JUMPER - GROUND WIRE  | 1    |
| 8     | 3157060     | SCREW - #8 - 32 X .31 HEX W/ HD. SLOTTED - T/F                        | 1    |
| 9     | 6107191     | MOUNTING PLATE - IMPELLER HOUSING ASSEMBLY                            | 1    |
| -     | 6107244     | SCREW #6 - 32 X 9/16 PHS W/LW (ATTACHING PART FOR INDEX NUMBER 9)     | 4    |
| 10    | 6107194     | BUSHING - SEAL  | 1    |
| 11    | 6107197     | IMPELLER  | 1    |
| 12    | 6107198     | THRUST SPRING ASSEMBLY  | 1    |
| 13    | 6107195     | HOUSING - IMPELLER  | 1    |
| 14    | 6137114     | FUNNEL  | 1    |
| 15    | 6157057     | SCREW - SHOULDER  | 4    |
| 16    | 2302223     | GROMMET - 3/16  | 4    |
| 17    | 6157055     | PLATE ASSEMBLY - MTG - WHIPPER MOTOR                                  | 1    |
| -     | 6107241     | SCREW #8 - 32 X 5/16 PHS W/LW SS (ATTACHING PART FOR INDEX NUMBER 17) | 4    |
| 18    | 6207003     | RETAINER - CANISTER - R.H.  | 1    |
| 19    | 3617032     | CANISTER LOCATOR  | 1    |

**THE FOLLOWING IS AVAILABLE AS AN ASSEMBLY:**

| PART NUMBER | DESCRIPTION   |
|-------------|---|
| 6157054     | MOTOR & PLATE ASSEMBLY - CHOCOLATE WHIPPER (CONSISTS OF INDEX NUMBERS 6, 7, 9, 16, 17, AND ATTACHING PARTS) |

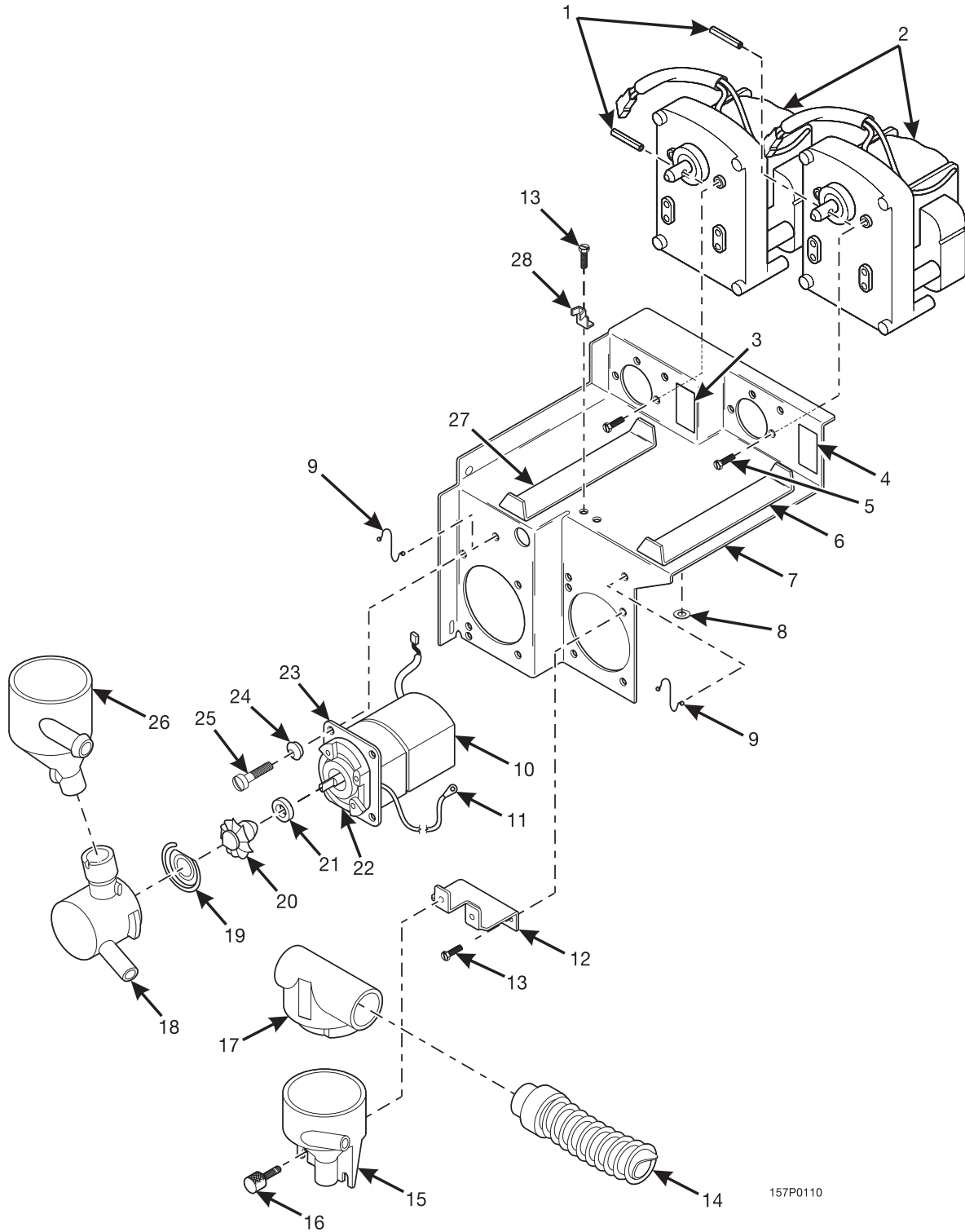


Figure 75. Chocolate/Freeze Dry Coffee Shelf Assembly (Part 1 of 2)



## Refreshment Center 3 Parts Manual

| TABLE 75. CHOCOLATE/FREEZE DRY COFFEE SHELF ASSEMBLY (PART 1 OF 2) |             |  |      |
|--|-------------|--|------|
| INDEX  | PART NUMBER | DESCRIPTION  | QTY. |
| -  | -           | SHELF ASSEMBLY - CHOCOLATE/FREEZE DRY COFFEE   | 1    |
| 1  | 6107020     | ROLL PIN (INCLUDED WITH INDEX NUMBER 2)  | 2    |
| 2  | 4731059     | MOTOR - 200 RPM  | 2    |
| 3  | 6137074     | LABEL - CHOCOLATE  | 1    |
| 4  | 6187007     | LABEL - COFFEE   | 1    |
| 5  | 9900138     | SCREW #8-32 X 1/4 PHS W/LKW  | 6    |
| 6  | 6157037     | LOCATOR - CANISTER   | 1    |
| 7  | 4761153     | SHELF ASSEMBLY - FD - FR.  | 1    |
| 8  | 2366055     | SPEED CLIP - COMPRESSION RING  | 4    |
| 9  | 6207003     | RETAINER - CANISTER - R.H.   | 2    |
| 10   | 6107185     | MOTOR ASSEMBLY - CHOCOLATE WHIPPER   | 1    |
| 11   | 9984094     | GROUND WIRE ASSEMBLY   | 1    |
| -  | 3157060     | SCREW - #8-32 X .31 HEX W/ HD. SLOTTED - T/ F - ZINC PL (ATTACHING PART FOR INDEX # 11)        | 1    |
| 12   | 4761158     | BRACKET - BOWL - FD - FR.  | 1    |
| 13   | 1451097     | SCREW - #8-32X.31 HEX HD.TF - BLK.   | 2    |
| 14   | 4761024     | HOSE ASSEMBLY - EXHAUST - 43.0" LONG   | 1    |
| 15   | 6187001     | MIXING BOWL - COFFEE   | 1    |
| 16   | 2206028     | THUMB SCREW - SIDEWALL   | 2    |
| 17   | 4761021     | VENT & PLUG ASSEMBLY - FR.   | 1    |
| 18   | 6107195     | HOUSING - IMPELLER   | 1    |
| 19   | 6107198     | THRUST SPRING ASSEMBLY   | 1    |
| 20   | 6107197     | IMPELLER   | 1    |
| 21   | 6107194     | BUSHING - SEAL   | 1    |
| 22   | 3617025     | PLATE & SEAL ASSEMBLY  | 1    |
| -  | 6107244     | SCREW #6-32 X 9/16 PHS W/LW SS (ATTACHING PART FOR INDEX # 22)                                 | 2    |
| 23   | 6157055     | PLATE ASSEMBLY - MOUNTING - WHIPPER MOTOR  | 1    |
| -  | 6107241     | SCREW #8-32 X 5/16 PHS W/LW SS (ATTACHING PART FOR INDEX # 23)                                 | 4    |
| 24   | 2302223     | GROMMET - 3/16   | 4    |
| 25   | 6157057     | SCREW - SHOULDER   | 4    |
| 26   | 6137114     | FUNNEL   | 1    |
| 27   | 3617032     | CANISTER LOCATOR - FOREIGN   | 1    |
| 28   | 4761016     | LOCATER - CHUTE - FR.  | 1    |
| -  | 4761032     | SHELF ASSEMBLY - FREEZE DRY COFFEE (INCLUDES INDEX NUMBERS 2-4, 6-8, 10, 11, 13, 22-24, 25-28) | -    |
| -  | 3617024     | MOTOR AND PLATE ASSEMBLY (INCLUDES INDEX NUMBERS 10, 11, 22-24)                                | -    |

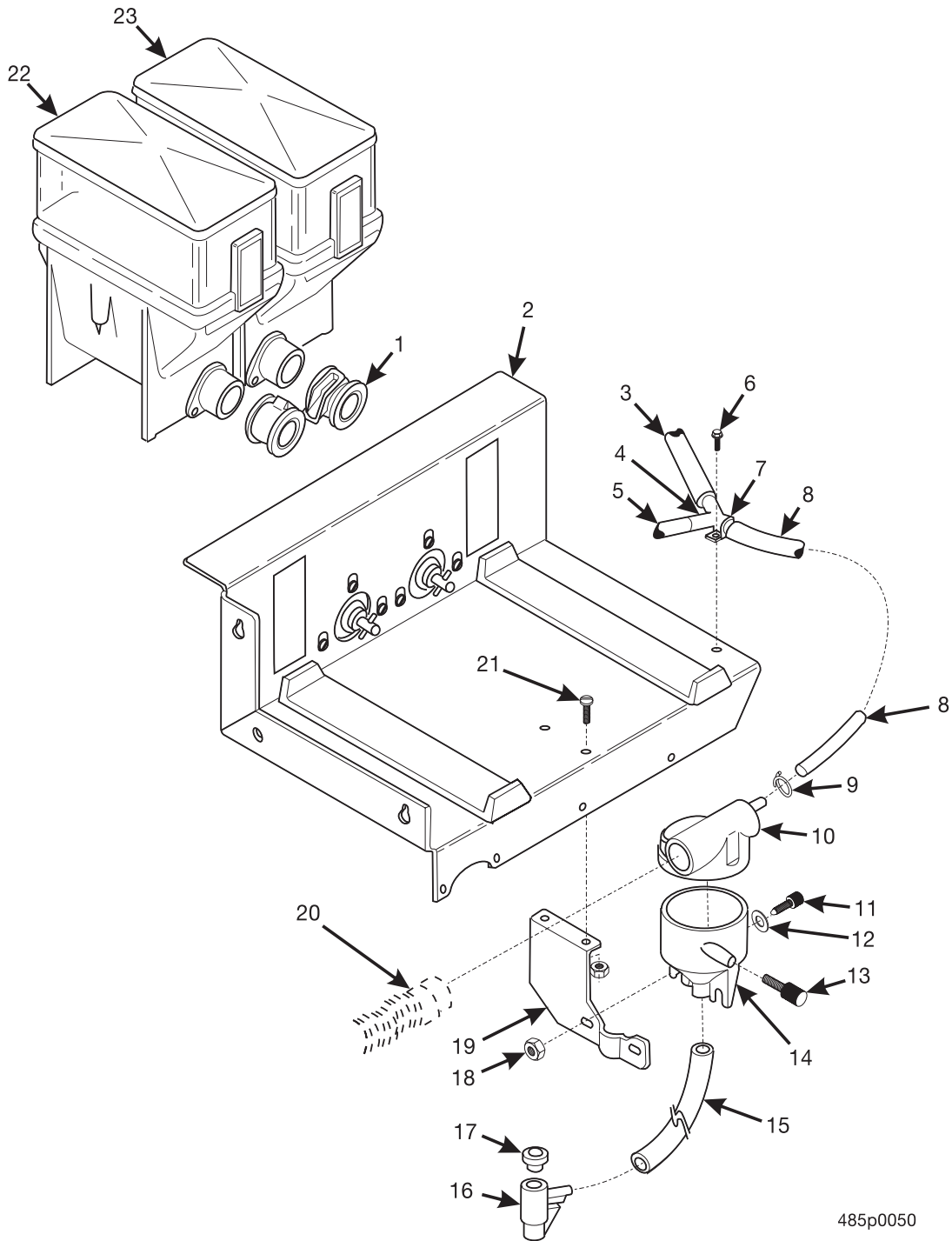




## Refreshment Center 3 Parts Manual

**TABLE 76. CHOCOLATE/FREEZE DRY COFFEE SHELF ASSEMBLY (PART 2 OF 2) (786/789 WITH WHIPPED COFFEE)**

| INDEX | PART NUMBER | DESCRIPTION   | QTY. |
|-------|-------------|---|------|
| -     | -           | SHELF ASSEMBLY - CHOCOLATE/FREEZE DRY COFFEE WITH WHIPPER                 | OPT. |
| 1     | 4761017     | BRACKET - WHIPPER - FR.   | 1    |
| 2     | 6107185     | MOTOR ASSEMBLY - CHOCOLATE WHIPPER  | 1    |
| -     | 6157057     | SCREW - SHOULDER  | 4    |
| 3     | 9984094     | GROUND WIRE ASSEMBLY  | 1    |
| -     | 3157060     | SCREW-#8-32 X .31 HEX W/ HD. SLOTTED-T/F-ZINC PL                          | 1    |
| 4     | 6157055     | PLATE ASSEMBLY - MOUNTING - WHIPPER MOTOR                                 | 1    |
| -     | 6107241     | SCREW #8-32 X 5/16 PHS W/LW SS (SECURES INDEX #4 TO INDEX #2) (NOT SHOWN) | 4    |
| 5     | 3617025     | PLATE & SEAL ASSEMBLY   | 1    |
| 6     | 6107194     | BUSHING - SEAL  | 1    |
| 7     | 6107197     | IMPELLER  | 1    |
| 8     | 6107198     | THRUST SPRING ASSEMBLY  | 1    |
| 9     | 6107195     | HOUSING - IMPELLER  | 1    |
| 10    | 6517000     | MIXING BOWL - CHOCOLATE   | 1    |
| 11    | 4761021     | VENT & PLUG ASSEMBLY - FR.  | 1    |
| 12    | 6157057     | SCREW - SHOULDER - #8-32  | 4    |
| 13    | 6107244     | SCREW #6-32 X 9/16 PHS W/LW SS (SECURES INDEX #5 TO INDEX #4)             | 4    |
| 14    | 2302223     | GROMMET - 3/16  | 4    |
| 15    | 4761024     | HOSE ASSEMBLY - EXHAUST - 43.0 IN LG.                                     | 1    |



485p0050

Figure 77. Sugar/Lightener Dispensing System (785/788 Without Coffee Whipper)





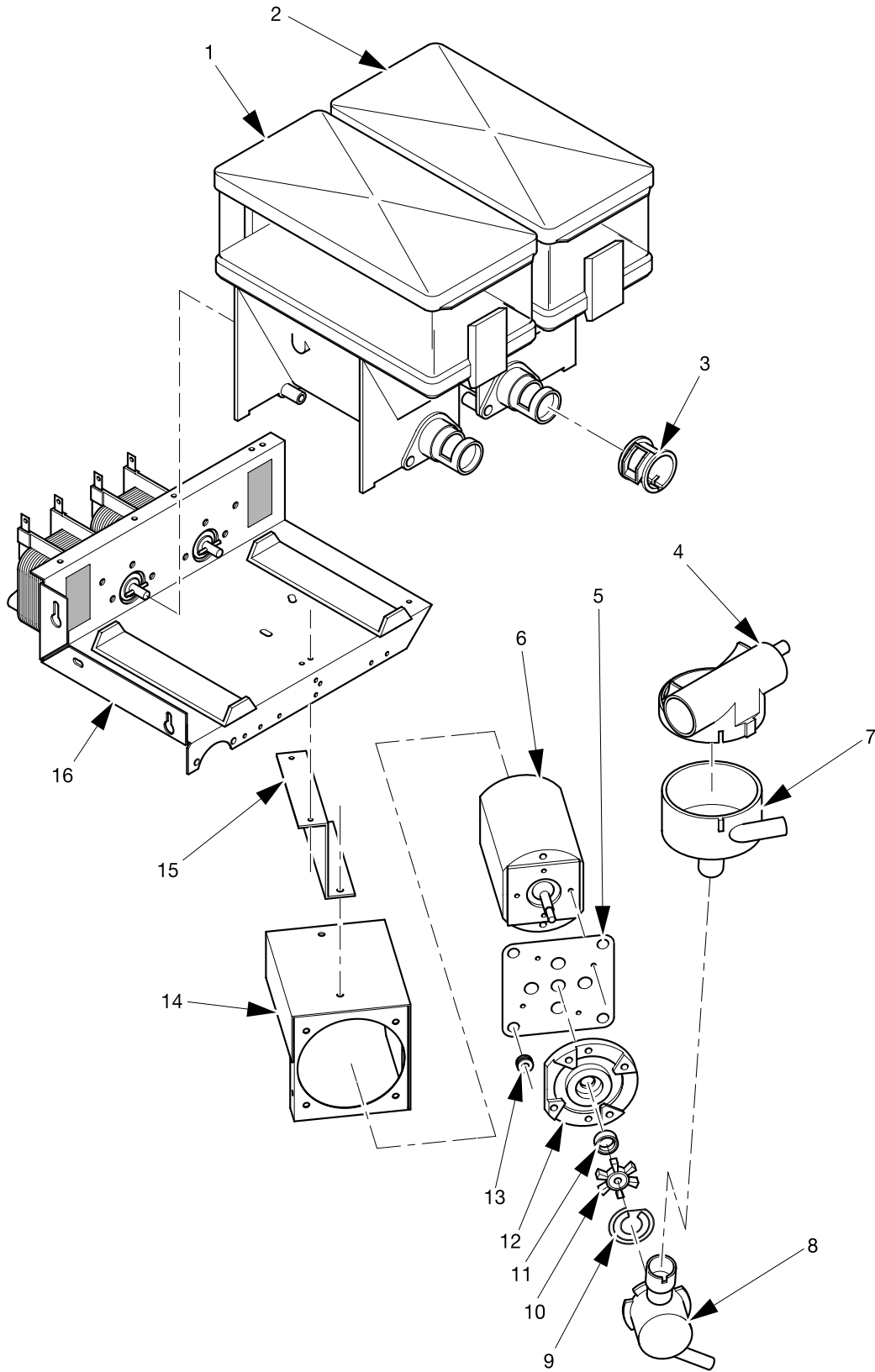
# Refreshment Center 3 Parts Manual

**TABLE 77. SUGAR/LIGHTENER DISPENSING SYSTEM (785/788 WITHOUT COFFEE WHIPPER)**

| INDEX | PART NUMBER | DESCRIPTION   | QTY. |
|-------|-------------|---|------|
| 1     | 6157002     | NOZZLE - CHUTE  | 2    |
| 2     | 4751062     | DRY INGREDIENTS SHELF ASSEMBLY                          | 1    |
| 3     | 4731203     | TUBE - .75 O.D.X .50 I.D.X 32"                          | 1    |
| 4     | 6158073     | RESTRICTOR & "Y" ASSEMBLY                               | 1    |
| 5     | 4731204     | TUBE - .44 O.D.X.25 I.D.X 32.5" - 6208037               | 1    |
| 6     | 1451097     | SCREW - #8-32X.31 HEX HD.TF - BLK.                      | 1    |
| 7     | 3106144     | CABLE CLAMP RICHCO#N9B                                  | 1    |
| 8     | 6124109     | TUBE - .38 I.D.X.56 O.D.X 5" - 6338021                  | 1    |
| 9     | 6111054     | CLAMP - HOSE 19/32                                      | 1    |
| 10    | 3617033     | VENT ASSEMBLY   | 1    |
| 11    | 2206028     | THUMB SCREW - SIDEWALL                                  | 2    |
| 12    | 6114121     | WASHER - ROLLER   | 2    |
| 13    | 6134192     | PLUG - BREWER MANIFOLD                                  | 1    |
| 14    | 6187001     | MIXING BOWL - COFFEE                                    | 1    |
| 15    | 4731064     | TUBE - 6338021 - 24.0"                                  | 1    |
| 16    | 6117010     | SPOUT - DISPENSING                                      | 1    |
| 17    | 4711020     | CAPLUG - SPOUT - NATR'L                                 | 1    |
| 18    | 9900081     | NUT #8-32 KEPS ZINC PLATE                               | 2    |
| 19    | 4751027     | BRACKET - MOUNTING - BOWL                               | 1    |
| 20    | 6157031     | HOSE ASSEMBLY - EXHAUST - 28                            |      |
| 21    | 1217161     | SCREW #8-32 X 1/2 RHS                                   | 2    |
| 22    | 4751061     | LIGHTENER CANISTER ASSEMBLY (SEE FIGURE 85 FOR DETAILS) | 1    |
| 23    | 4731129     | SUGAR CANISTER ASSEMBLY (SEE FIGURE 84 FOR DETAILS)     | 1    |

**THE FOLLOWING ARE AVAILABLE AS ASSEMBLIES:**

|         |  |
|---------|--|
| 4731208 | "Y" ASSEMBLY (CONSISTS OF INDEX NUMBERS 3 - 5, 8)                  |
| 4731322 | MIXING BOWL & BRACKET ASSEMBLY (CONSISTS OF INDEX NUMBERS 10 - 19) |



485p0051

Figure 78. Sugar and Lightener Dispensing System (785/788 With Coffee Whipper)



## Refreshment Center 3 Parts Manual

**TABLE 78. SUGAR AND LIGHTENER DISPENSING SYSTEM (785/788 WITH COFFEE WHIPPER)**

| INDEX | PART NUMBER | DESCRIPTION   | QTY. |
|-------|-------------|---|------|
| 1     | 4751061     | LIGHTENER CANISTER ASSEMBLY (SEE FIGURE 85 FOR DETAILS)                   | 1    |
| 2     | 4731129     | SUGAR CANISTER ASSEMBLY (SEE FIGURE 84 FOR DETAILS)                       | 1    |
| 3     | 6157002     | NOZZLE - CHUTE  | 2    |
| 4     | 4751106     | VENT ASSEMBLY - GER/FR  | 1    |
| 5     | 6157055     | PLATE ASSEMBLY - MOUNTING - WHIPPER MOTOR                                 | 1    |
| 6     | 6107185     | MOTOR ASSEMBLY - CHOCOLATE WHIPPER  | 1    |
| 7     | 4751104     | BOWL - MIXING - COFFEE - GER/FR   | 1    |
| 8     | 6107195     | HOUSING - IMPELLER  | 1    |
| 9     | 6107198     | THRUST SPRING ASSEMBLY  | 1    |
| 10    | 6107197     | IMPELLER  | 1    |
| 11    | 6107194     | BUSHING - SEAL  | 1    |
| 12    | 3617025     | PLATE AND SEAL ASSEMBLY   | 1    |
| 13    | 2302223     | GROMMET - 3/16  | 4    |
| 14    | 4751100     | MOUNTING ASSEMBLY - WHIPPER - GER/FR                                      | 1    |
| 15    | 4751103     | BRACKET - WHIPPER ASSEMBLY - GER/FR                                       | 1    |
| 16    | 4751126     | DRY INGREDIENTS SHELF ASSEMBLY (SEE FIGURE 80 FOR DETAILS)                | 1    |
| -     | 6107241     | SCREW - #8-32 X 5/16 PHS W/LW - SS (USED TO SECURE INDEX #10 TO INDEX #8) | 4    |

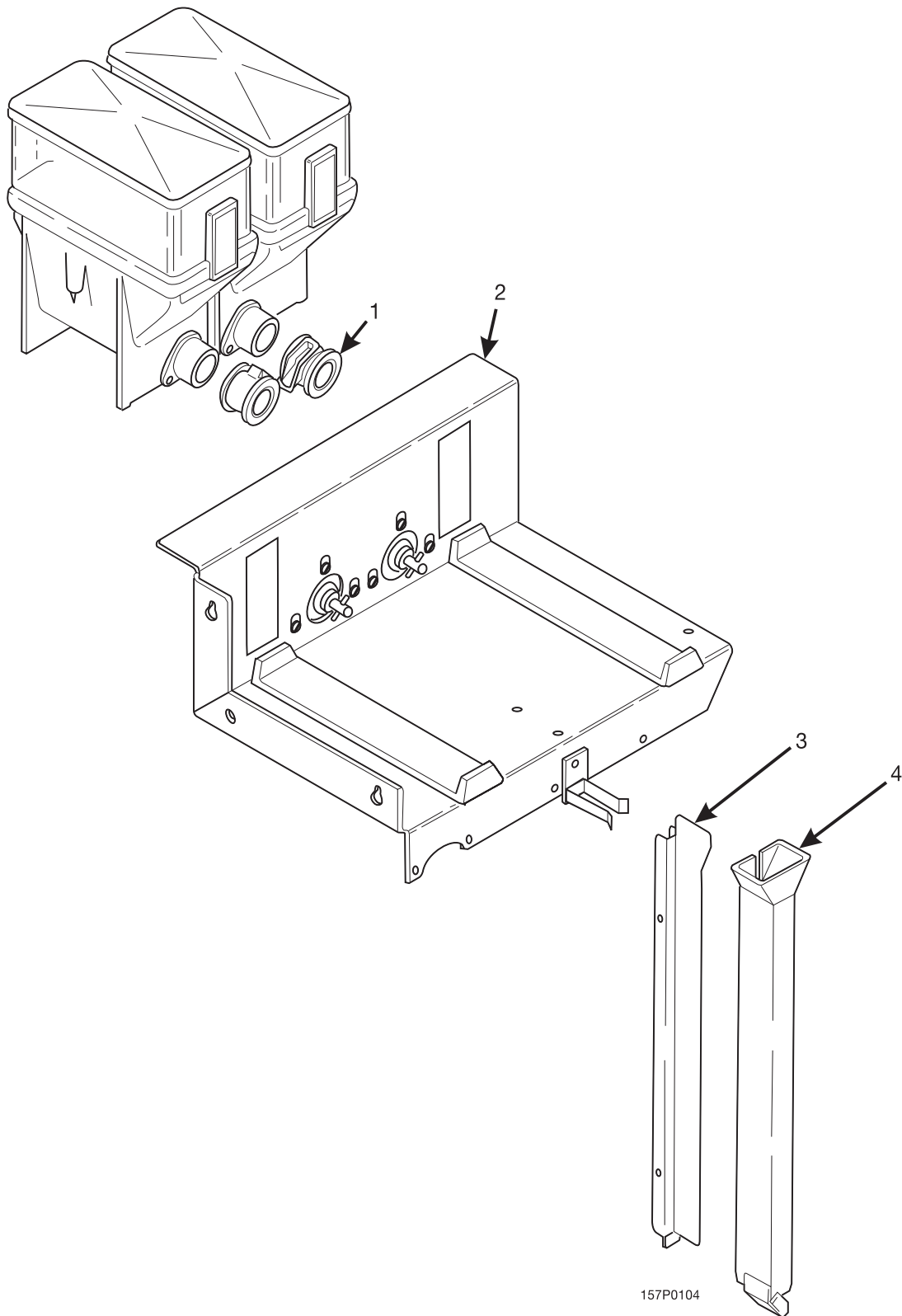


Figure 79. Sugar/Lightener Dispensing System (786/789)



**TABLE 79. SUGAR/LIGHTENER DISPENSING SYSTEM (786/789)**

| <b>INDEX</b> | <b>PART NUMBER</b> | <b>DESCRIPTION</b>   | <b>QTY.</b> |
|--------------|--------------------|--|-------------|
| 1            | 6157002            | NOZZLE - CHUTE   | 2           |
| 2            | 4761034            | DRY INGREDIENTS SHELF ASSEMBLY (SEE FIGURE 80 FOR DETAILS) | 1           |
| 3            | 4761060            | DIVIDER ASSEMBLY   | 1           |
| 4            | 4761155            | FRONT CHANNEL ASSEMBLY                                     | 1           |
| 5            | 4751061            | LIGHTENER CANISTER ASSEMBLY (SEE FIGURE 85 FOR DETAILS)    | 1           |
| 6            | 4731129            | SUGAR CANISTER ASSEMBLY (SEE FIGURE 84 FOR DETAILS)        | 1           |

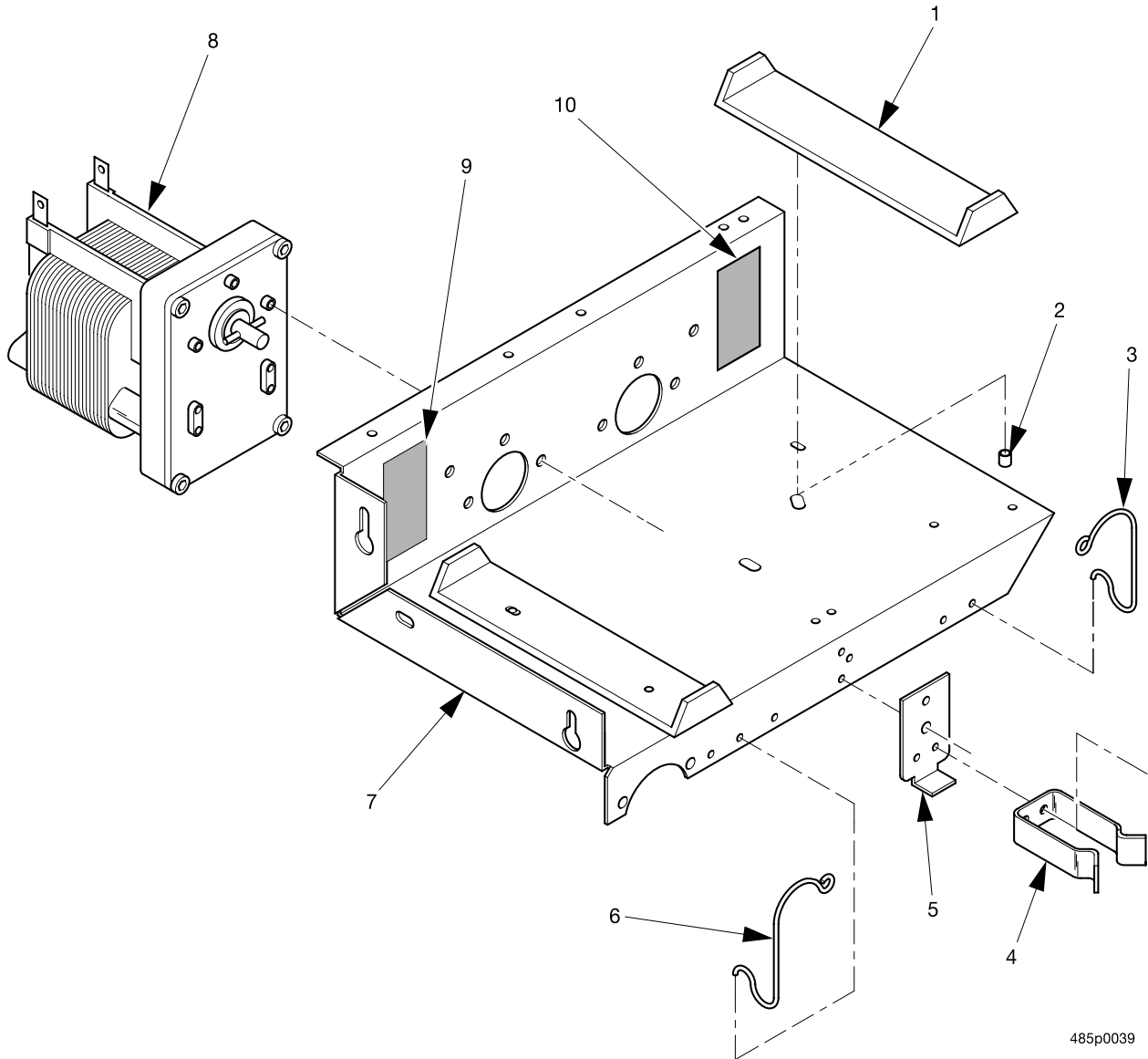


Figure 80. Dry Ingredient (Sugar/Lightener) Shelf Assembly



## Refreshment Center 3 Parts Manual

**TABLE 80. DRY INGREDIENT (SUGAR/LIGHTENER) SHELF ASSEMBLY**

| <b>INDEX</b> | <b>PART NUMBER</b> | <b>DESCRIPTION</b>   | <b>QTY.</b> |
|--------------|--------------------|--|-------------|
| -            | 4751226            | DRY INGREDIENTS SHELF ASSEMBLY (785/788) (INCLUDES INDEX NUMBERS 1-3, 10-13)       | 1           |
|              | 4761034            | DRY INGREDIENTS SHELF ASSEMBLY (786 /789) (INCLUDES INDEX NUMBERS 1-3, 5-8, 10-13) |             |
| 1            | 6157037            | LOCATOR - CANISTER   | 2           |
| 2            | 2366055            | SPEED CLIP - COMPRESSION RING  | 4           |
| 3            | 6207004            | RETAINER - CANISTER - L.H.   | 1           |
| 4            | 4761015            | RETAINER - CHUTE - FD - FR. (MODEL 786 ONLY)                                       | 1           |
| 5            | 4761014            | BRACKET - RETAINER - CHUTE - FR (MODEL 786 ONLY)                                   | 1           |
| 6            | 6207003            | RETAINER - CANISTER - R.H.   | 1           |
| 7            | 4751098            | SHELF - CANISTER   | 1           |
| 8            | 4731059            | MOTOR - 200 RPM  | 2           |
| 9            | 6137077            | LABEL - LIGHTENER  | 1           |
| 10           | 6137076            | LABEL - SUGAR  | 1           |

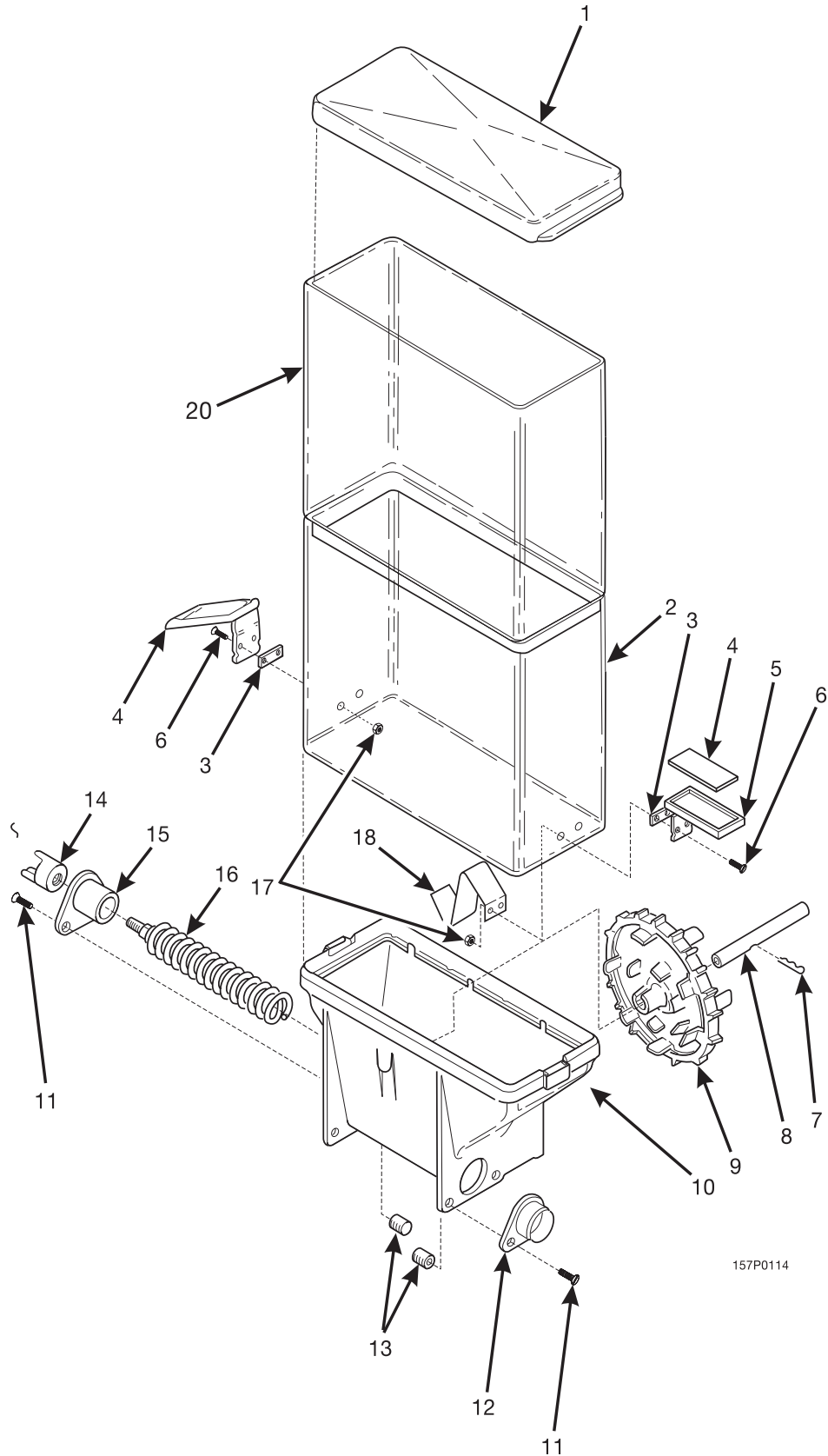


Figure 81. Fresh Brew Coffee Canister Assembly





# Refreshment Center 3 Parts Manual

**TABLE 81. FRESH BREW COFFEE CANISTER ASSEMBLY**

| INDEX | PART NUMBER | DESCRIPTION                                      | QTY. |
|-------|-------------|--|------|
| -     | 4751128     | CANISTER ASSEMBLY - COFFEE - FRESH BREW - GER/FR | -    |
| 1     | 6137030     | LID - CANISTER                                   | 1    |
| 2     | 6157016     | TUBE - CANISTER - 10 IN                          | 1    |
|       | 6197007     | TUBE - CANISTER - 7"                             |      |
| 3     | 6137023     | SPACER - CANISTER LATCH                          | 2    |
| 4     | 6187007     | LABEL - COFFEE                                   | 1    |
| 5     | 9984547     | DRAW CATCH 07-0-201-12                           | 2    |
| 6     | 6137099     | SCREW #6-32 X 9/16 FLAT HEAD                     | 4    |
| 7     | 6134030     | PIN - HITCH WW CLIP #22 TYPE 302 SS              | 1    |
| 8     | 6137038     | TUBE - MIXING WHEEL                              | 1    |
| 9     | 6137024     | MIXING WHEEL                                     | 1    |
| 10    | 6137004     | CANISTER BASE - TEA & LIGHTENER                  | 1    |
| 11    | 9900027     | SCREW #8-32 X 1/2 FHS                            | 4    |
| 12    | 6154261     | SPOUT  | 1    |
| 13    | 9900214     | NUT - KNURL - CANISTER                           | 4    |
| 14    | 6107041     | AUGER - DRIVE COUPLING                           | 1    |
| 15    | 6137035     | BEARING - DISPENSING                             | 1    |
| 16    | 6204513     | AUGER & SHAFT ASSEMBLY                           | 1    |
| 17    | 6137100     | NUT - ACORN #6-32                                | 4    |
| 18    | 6207540     | AGITATOR - CANISTER - LONG                       | 1    |

**THE FOLLOWING ARE AVAILABLE AS ASSEMBLIES:**

|         |   |
|---------|---|
| 4751129 | TUBE ASSEMBLY - CANISTER - 7" - GER/FR (CONSISTS OF INDEX NUMBERS 2, 3, 5, 6, 18, 18) |
| 6204512 | AUGER ASSEMBLY (CONSISTS OF INDEX NUMBERS 14 - 16)                                    |
| 6207539 | TUBE ASSEMBLY - CANISTER - CHOC/SOUP  |

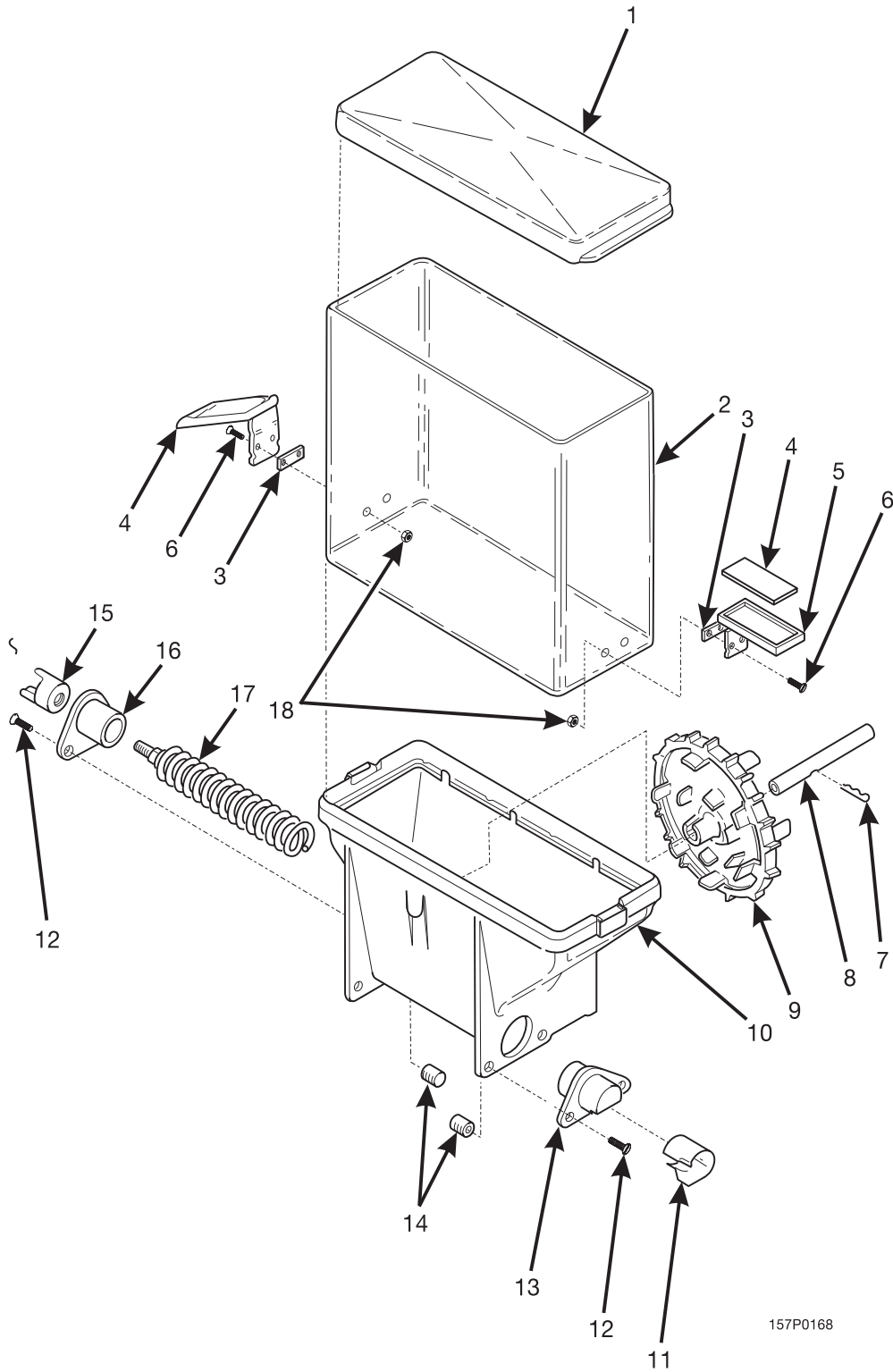


Figure 82. Freeze Dry Canister Assembly (786 Only)



**TABLE 82. FREEZE DRY CANISTER ASSEMBLY (786 ONLY)**

| INDEX | PART NUMBER | DESCRIPTION                               | QTY. |
|-------|-------------|---|------|
| -     | 4761031     | CANISTER ASSEMBLY - FREEZE DRY (786 ONLY) | -    |
| 1     | 6137030     | LID CANISTER                              | 1    |
| 2     | 6157026     | TUBE - CANISTER - 5 IN                    | 1    |
| 3     | 6137023     | SPACER - CANISTER LATCH                   | 2    |
| 4     | 6187007     | LABEL - COFFEE                            | 1    |
| 5     | 9984547     | DRAW CATCH 07-11-20-1-12                  | 2    |
| 6     | 6137099     | SCREW #6-32 X 9/16 FLAT HEAD              | 4    |
| 7     | 6134030     | PIN - HITCH WW CLIP #22 TYPE 302 SS       | 1    |
| 8     | 6137038     | TUBE - MIXING WHEEL                       | 1    |
| 9     | 6137024     | MIXING WHEEL                              | 1    |
| 10    | 6137005     | CANISTER BASE - SUGAR & CHOCOLATE         | 1    |
| 11    | 4761169     | EXTENSION-DISPENSER SPOUT                 | 1    |
| 12    | 9900027     | SCREW #8-32 X 1/2 FHS                     | 4    |
| 13    | 6137033     | SPOUT - TEA DISPENSING                    | 1    |
| 14    | 9900214     | NUT - KNURL - CANISTER                    | 4    |
| 15    | 6107041     | AUGER - DRIVE COUPLING                    | 1    |
| 16    | 6137035     | BEARING - DISPENSING                      | 1    |
| 17    | 6137131     | AUGER & SHAFT ASSEMBLY                    | 1    |
| 18    | 6137100     | NUT - ACORN #6-32                         | 4    |

**THE FOLLOWING ARE AVAILABLE AS ASSEMBLIES:**

|         |  |
|---------|--|
| 6157029 | TUBE ASSEMBLY - CANISTER - 5 INCH (CONSISTS OF INDEX NUMBERS 2, 3, 5, 6, 18) |
| 6137128 | AUGER ASSEMBLY (CONSISTS OF INDEX NUMBERS 15 - 17)                           |

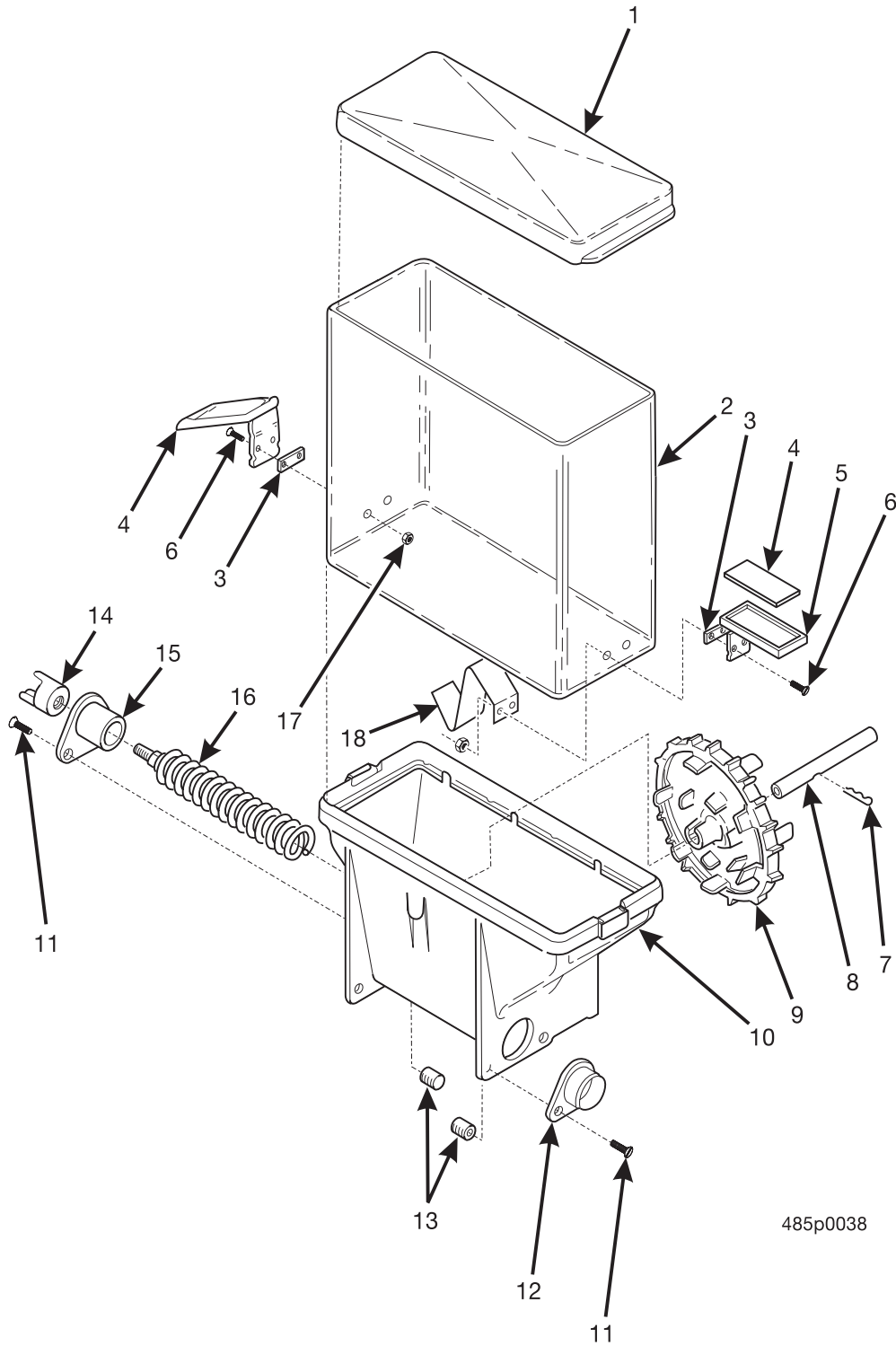


Figure 83. Chocolate Canister Assembly



**TABLE 83. CHOCOLATE CANISTER ASSEMBLY**

| <b>INDEX</b> | <b>PART NUMBER</b> | <b>DESCRIPTION</b>                  | <b>QTY.</b> |
|--------------|--------------------|-------------------------------------|-------------|
| -            | 4731311            | CANISTER ASSEMBLY - CHOCOLATE       | -           |
| 1            | 6137030            | LID CANISTER                        | 1           |
| 2            | 6157026            | TUBE - CANISTER - 5 IN              | 1           |
| 3            | 6137023            | SPACER - CANISTER LATCH             | 2           |
| 4            | 6137074            | LABEL - CHOCOLATE                   | 1           |
| 5            | 9984547            | DRAW CATCH 07-11-20-1-12            | 2           |
| 6            | 6137099            | SCREW #6-32 X 9/16 FLAT HEAD        | 4           |
| 7            | 6134030            | PIN - HITCH WW CLIP #22 TYPE 302 SS | 1           |
| 8            | 6137038            | TUBE - MIXING WHEEL                 | 1           |
| 9            | 6137024            | MIXING WHEEL                        | 1           |
| 10           | 6137005            | CANISTER BASE - SUGAR & CHOCOLATE   | 1           |
| 11           | 9900027            | SCREW #8-32 X 1/2 FHS               | 4           |
| 12           | 6137034            | SPOUT - SOUP DISPENSING             | 1           |
| 13           | 9900214            | NUT - KNURL - CANISTER              | 4           |
| 14           | 6107041            | AUGER - DRIVE COUPLING              | 1           |
| 15           | 6137035            | BEARING - DISPENSING                | 1           |
| 16           | 6204513            | AUGER & SHAFT ASSEMBLY              | 1           |
| 17           | 6137100            | NUT - ACORN #6-32                   | 4           |
| 18           | 6137101            | AGITATOR - CANISTER                 | 1           |

**THE FOLLOWING ARE AVAILABLE AS ASSEMBLIES**

|         |  |
|---------|--|
| 6157029 | TUBE ASSEMBLY - CANISTER - 5 INCH (CONSISTS OF INDEX NUMBERS 2, 3, 5, 6, 17, 18) |
| 6204512 | AUGER ASSEMBLY (CONSISTS OF INDEX NUMBERS 14 - 16)                               |

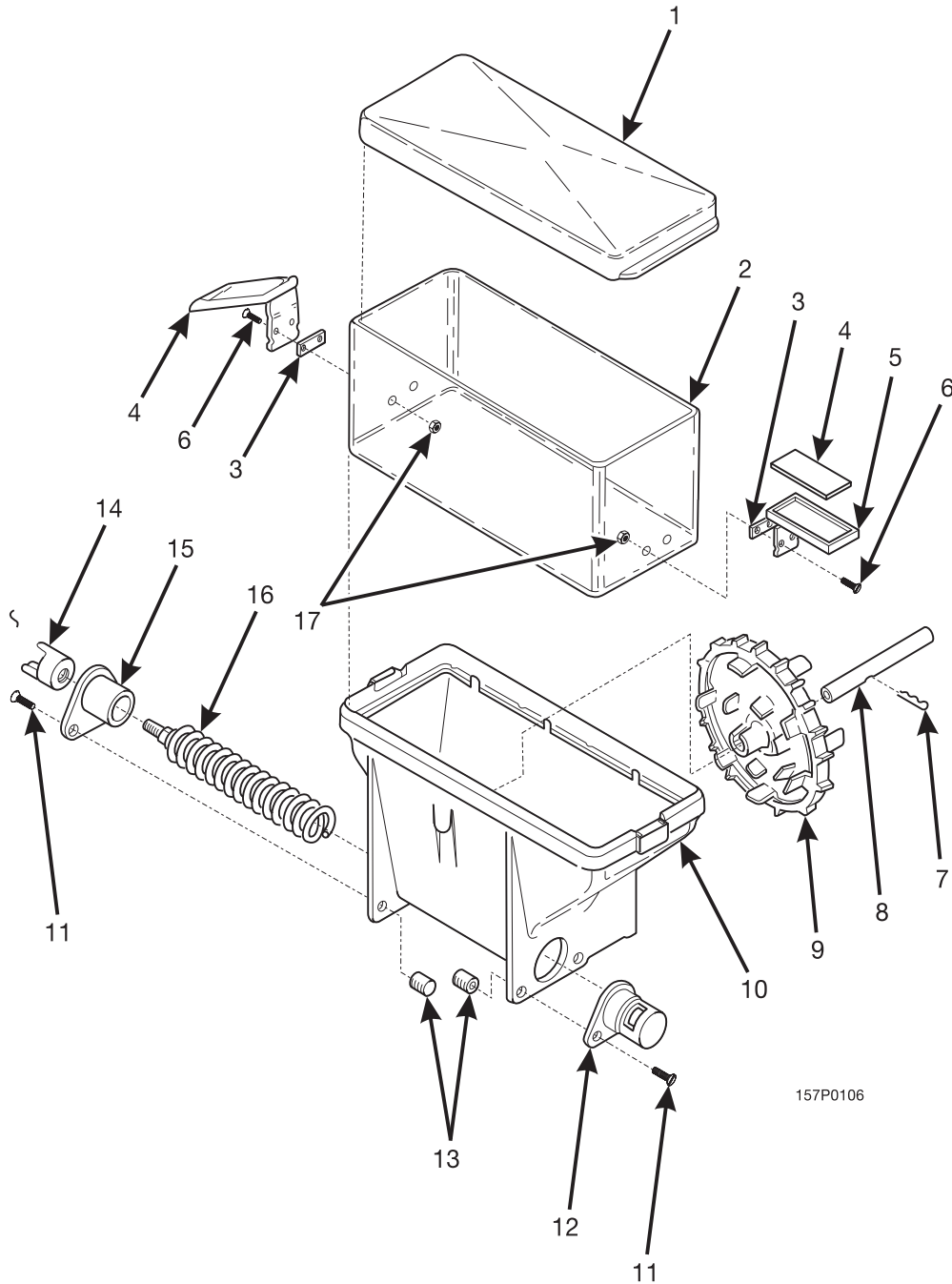


Figure 84. Sugar Canister Assembly



# Refreshment Center 3 Parts Manual

**TABLE 84. SUGAR CANISTER ASSEMBLY**

| INDEX | PART NUMBER | DESCRIPTION                         | QTY. |
|-------|-------------|-------------------------------------|------|
| -     | 4731129     | CANISTER ASSEMBLY - SUGAR           | REF  |
| 1     | 6137030     | LID - CANISTER                      | 1    |
| 2     | 4731128     | TUBE - 3"CANISTER                   | 1    |
| 3     | 6137023     | SPACER - CANISTER LATCH             | 2    |
| 4     | 6137076     | LABEL - SUGAR                       | 1    |
| 5     | 9984547     | DRAW CATCH 07-11-20-1-12            | 2    |
| 6     | 6137099     | SCREW #6-32 X 9/16 FLAT HEAD        | 4    |
| 7     | 6134030     | PIN - HITCH WW CLIP #22 TYPE 302 SS | 1    |
| 8     | 6137038     | TUBE - MIXING WHEEL                 | 1    |
| 9     | 6137024     | MIXING WHEEL                        | 1    |
| 10    | 6137004     | CANISTER BASE - TEA & LIGHTENER     | 1    |
| 11    | 9900027     | SCREW #8-32 X 1/2 FHS               | 4    |
| 12    | 6157019     | SPOUT - DISPENSING CHUTE            | 1    |
| 13    | 9900214     | NUT - KNURL - CANISTER              | 4    |
| 14    | 6107041     | AUGER DRIVE COUPLING                | 1    |
| 15    | 6137035     | BEARING - DISPENSING                | 1    |
| 16    | 6137131     | AUGER & SHAFT ASSEMBLY              | 1    |
| 17    | 6137100     | NUT - ACORN #6-32                   | 4    |

**THE FOLLOWING ARE AVAILABLE AS ASSEMBLIES:**

|  |         |  |  |
|--|---------|--|--|
|  | 4731127 | TUBE ASSEMBLY - 3" CANISTER (CONSISTS OF INDEX NUMBERS 2, 3, 5, 6, 17) |  |
|  | 6137128 | AUGER ASSEMBLY (CONSISTS OF INDEX NUMBERS 14 - 16)                     |  |

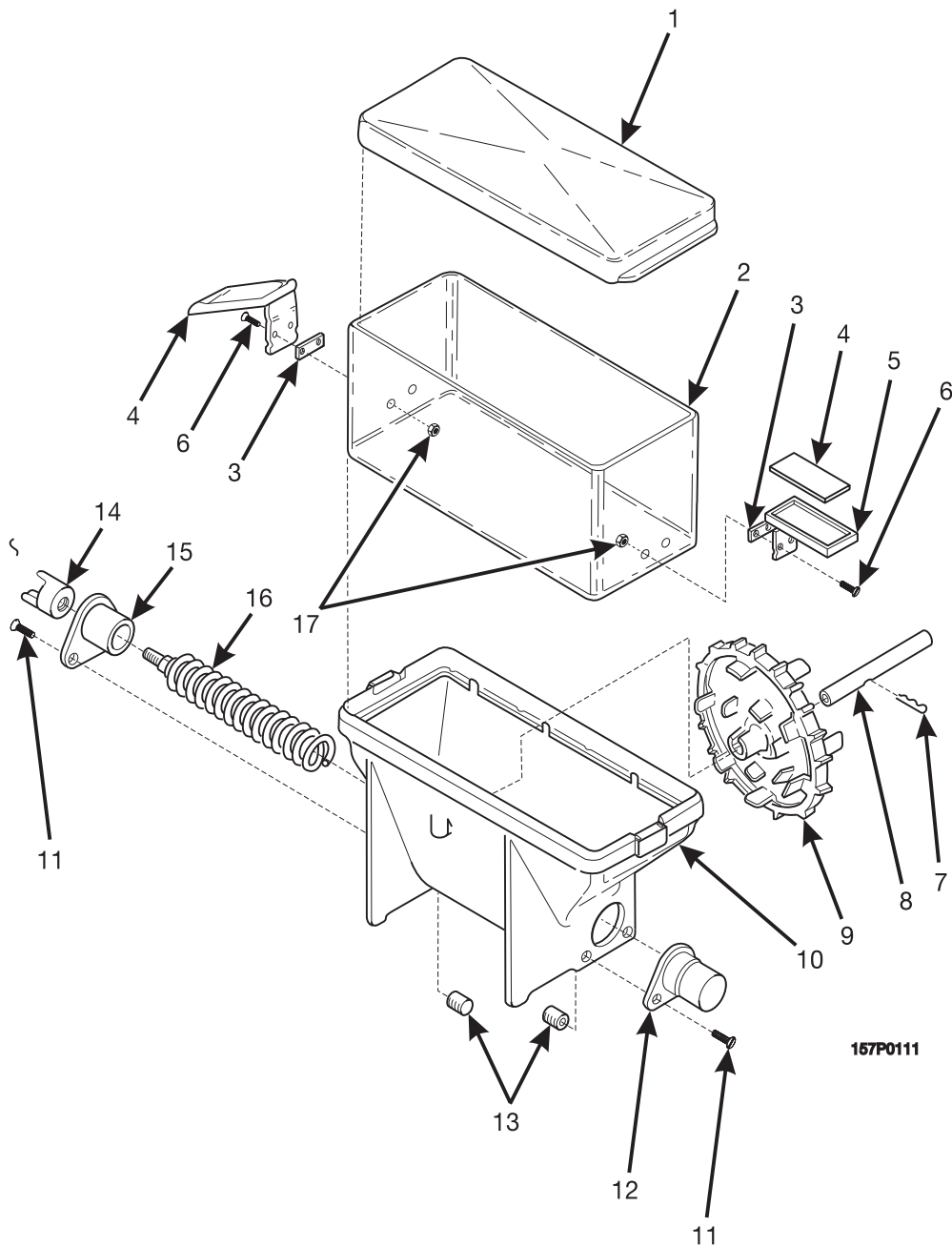


Figure 85. Lightener Canister Assembly





## Refreshment Center 3 Parts Manual

**TABLE 85. LIGHTENER CANISTER ASSEMBLY**

| <b>INDEX</b> | <b>PART NUMBER</b> | <b>DESCRIPTION</b>                  | <b>QTY.</b> |
|--------------|--------------------|-------------------------------------|-------------|
| -            | 4751061            | CANISTER ASSEMBLY - LIGHTENER       | 1           |
| 1            | 6137030            | LID - CANISTER                      | 1           |
| 2            | 4731128            | TUBE - 3"CANISTER                   | 1           |
| 3            | 6137023            | SPACER - CANISTER LATCH             | 2           |
| 4            | 6137077            | LABEL - LIGHTENER                   | 1           |
| 5            | 9984547            | DRAW CATCH 07-11-20-1-12            | 2           |
| 6            | 6137099            | SCREW #6-32 X 9/16 FLAT HEAD        | 4           |
| 7            | 6134030            | PIN - HITCH WW CLIP #22 TYPE 302 SS | 1           |
| 8            | 6137038            | TUBE - MIXING WHEEL                 | 1           |
| 9            | 6137024            | MIXING WHEEL                        | 1           |
| 10           | 6137005            | CANISTER BASE - SUGAR & CHOCOLATE   | 1           |
| 11           | 9900027            | SCREW #8-32 X 1/2 FHS               | 4           |
| 12           | 6157019            | SPOUT - DISPENSING CHUTE            | 1           |
| 13           | 9900214            | NUT - KNURL - CANISTER              | 4           |
| 14           | 6107041            | AUGER DRIVE COUPLING                | 1           |
| 15           | 6137035            | BEARING - DISPENSING                | 1           |
| 16           | 6137131            | AUGER & SHAFT ASSEMBLY              | 1           |
| 17           | 6137100            | NUT - ACORN #6-32                   | 4           |

**THE FOLLOWING ARE AVAILABLE AS ASSEMBLIES:**

|         |  |
|---------|--|
| 4731127 | TUBE ASSEMBLY - 3" CANISTER (CONSISTS OF INDEX NUMBERS 2, 3, 5, 6, 17) |
| 6137128 | AUGER ASSEMBLY (CONSISTS OF INDEX NUMBERS 14 - 16)                     |

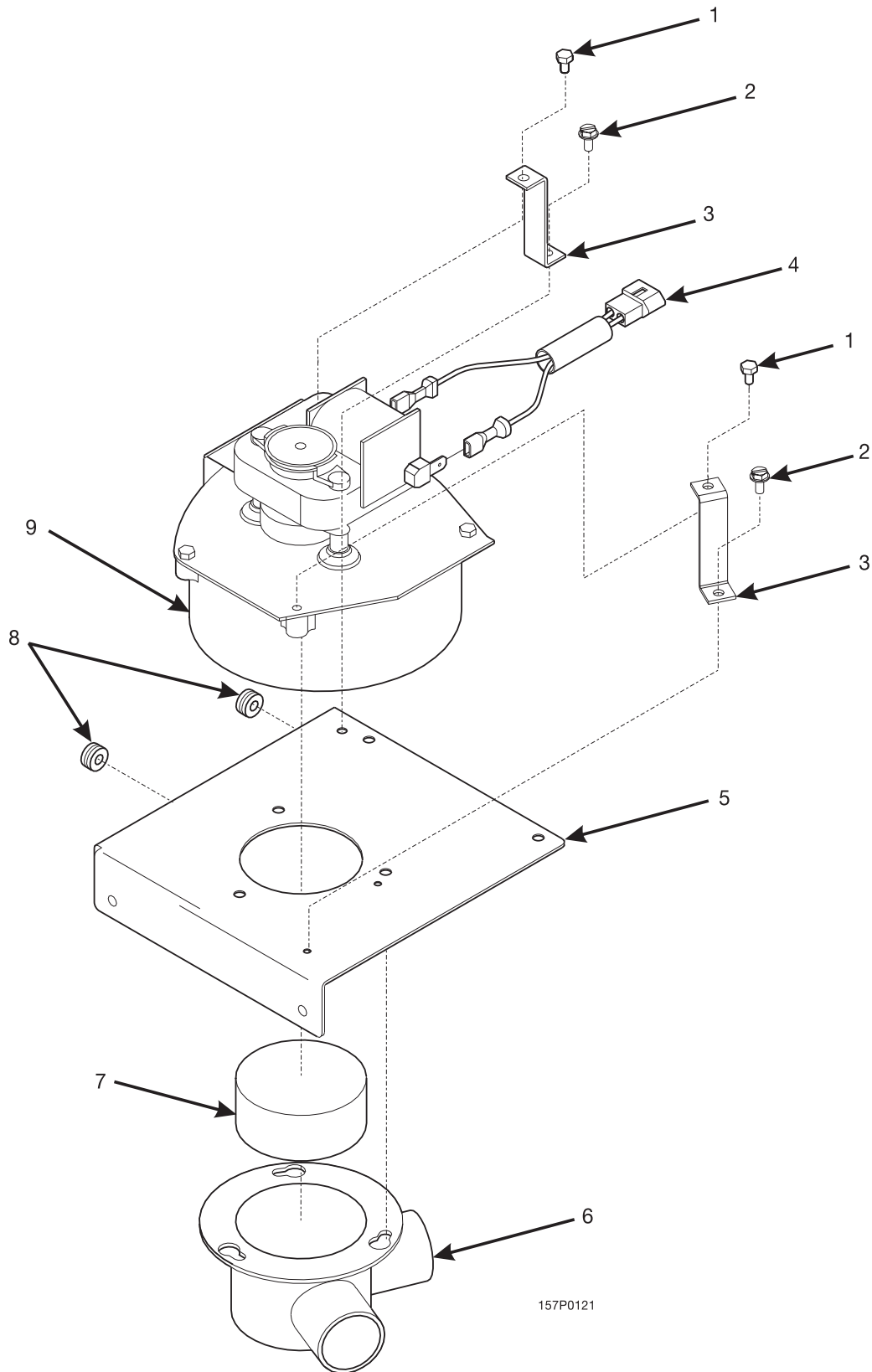


Figure 86. Blower and Mounting Assembly



# Refreshment Center 3 Parts Manual

**TABLE 86. BLOWER AND MOUNTING ASSEMBLY**

| <b>INDEX</b> | <b>PART NUMBER</b> | <b>DESCRIPTION</b>                   | <b>QTY.</b> |
|--------------|--------------------|--------------------------------------|-------------|
| -            | 4731346            | BRACKET & BLOWER ASSEMBLY - 115 V    | 1           |
|              | 4851062            | BRACKET AND BLOWER ASSEMBLY -230 V   |             |
| 1            | 1437204            | SCREW - #8-10 X .38 HEX HD.TF        | 2           |
| 2            | 1451097            | SCREW - #8-32 X .31 HEX HD.TF - BLK. | 2           |
| 3            | 6231553            | TIE DOWN - BLOWER ASSEMBLY           | 2           |
| 4            | 9989637            | JUMPER - BLOWER                      | 1           |
| 5            | 4731347            | BRACKET ASSEMBLY - BLOWER MOUNTING   | 1           |
| 6            | 6237342            | HOUSING - EXHAUST BLOWER             | 1           |
| 7            | 6237340            | FILTER - EXHAUST BLOWER              | 1           |
| 8            | 2302223            | GROMMET - 3/16                       | 2           |
| 9            | 6231548            | BLOWER ASSEMBLY - 120V               | 1           |
|              | 6401088            | BLOWER ASSEMBLY - 230 V              |             |

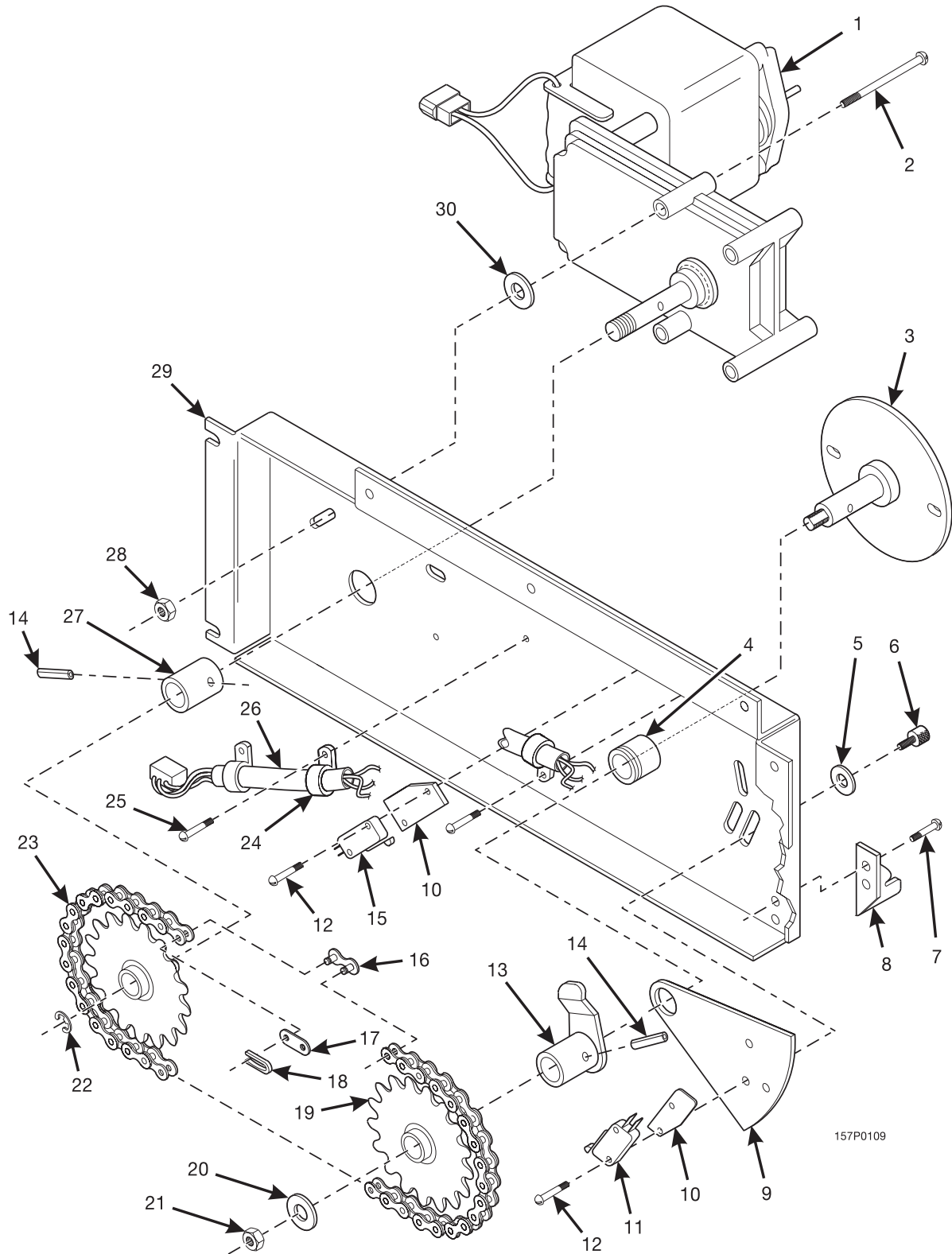


Figure 87. Brewer Drive Assembly

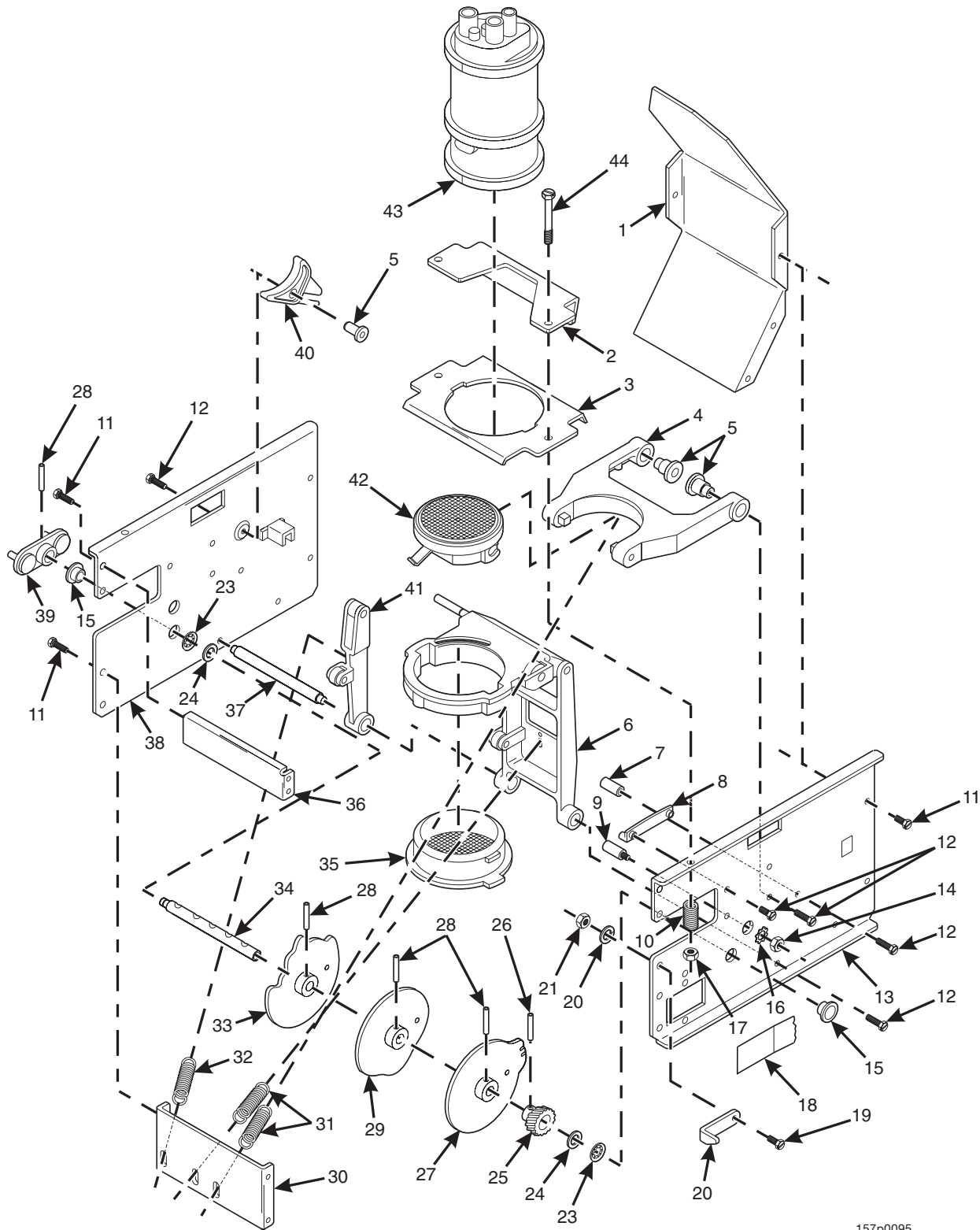


**TABLE 87. BREWER DRIVE ASSEMBLY**

| INDEX | PART NUMBER | DESCRIPTION                        | QTY. |
|-------|-------------|------------------------------------|------|
| -     | 4731282     | DRIVE ASSEMBLY - BREWER            | -    |
| 1     | 4751230     | MOTOR - BREWER                     | 1    |
| 2     | 4731070     | SCREW - #10 - 32 X 1.75 PHS        | 4    |
| 3     | 4731083     | COUPLING & BREWER ASSEMBLY         | 1    |
| 4     | 4047012     | SHOULDER BUSHING                   | 2    |
| 5     | 9900035     | WASHER, STEEL 7/16 X 3/16 X 3      | 1    |
| 6     | 2206028     | THUMB SCREW, SIDEWALL              | 1    |
| 7     | 1451097     | SCREW - #8 - 32X.31 HEX HD.TF - BL | 4    |
| 8     | 4731082     | BRACKET - BREWER                   | 2    |
| 9     | 4731093     | PLATE - SWITCH - MOUNTING          | 1    |
| 10    | 2304083     | INSULATOR - SWITCH                 | 2    |
| 11    | 5201091     | SWITCH                             | 1    |
| 12    | 1217160     | 4 - 40X5/8 RHS M SCREW Z/Y         | 4    |
| 13    | 4731085     | CAM ASSEMBLY - SWITCH ACTUATOR     | 1    |
| 14    | 6133157     | ROLL PIN 3/16 X 1                  | 2    |
| 15    | 2304109     | SWITCH - ROLLER LEVER V3L - 139 -  | 1    |
| 16    | 4047176     | LINK & PIN ASY - MASTER - 212 - 18 | 1    |
| 17    | 4047177     | LINK - MASTER - #211 - 1808        | 1    |
| 18    | 4047178     | RETAINER - MASTER LINK - #212 - 18 | 1    |
| 19    | 4246171     | SPROCKET - DRIVE - ELEVATOR        | 2    |
| 20    | 4731101     | WASHER - .265 I.D.X 1.00 O.D.X     | 1    |
| 21    | 9900043     | NUT 1/4 - 20 HEX ZINC PLATE        | 1    |
| 22    | 9900437     | RETAINING RING REINF E TYP.3       | 1    |
| 23    | 4731097     | CHAIN - ELEVATOR - #211 - 1853     | 1    |
| 24    | 2221049     | WIRE CLAMP .302 DIA                | 3    |
| 25    | 1451097     | SCREW - #8 - 32X.31 HEX HD.TF - BL | 3    |
| 26    | 4731096     | HARNESS - BREWER HOUSING           | 1    |
| 27    | 4731095     | BUSHING - MOTOR                    | 1    |
| 28    | 9900164     | NUT #10 - 32 KEPS ZINC PLATE       | 4    |
| 29    | 4731280     | HOUSING & BUSHING ASSEMBLY         | 1    |
| 30    | 2204093     | WASHER - SCAVENGER BAR             | 4    |

**THE FOLLOWING ARE AVAILABLE AS ASSEMBLIES:**

|         |  |
|---------|--|
| 4731103 | MOTOR & PIN ASSEMBLY (CONSISTS OF INDEX NUMBERS 1, 14, AND 27)     |
| 4731281 | HOUSING ASSEMBLY-BREWER DRIVE (CONSISTS OF INDEX NUMBERS 4 AND 29) |
| 4731092 | SWITCH & PLATE ASSEMBLY (CONSISTS OF INDEX NUMBERS 9 - 12)         |



157p0095

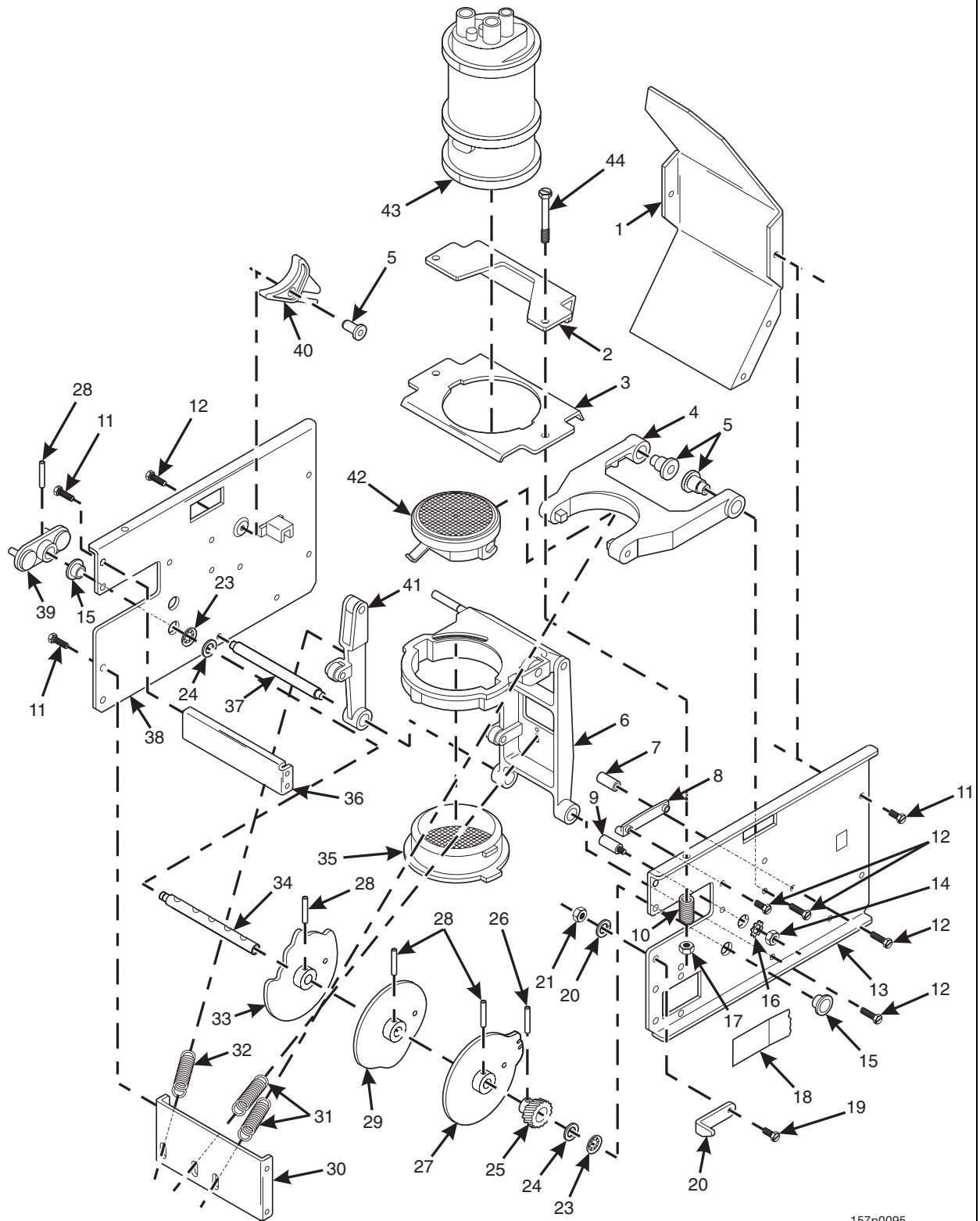
Figure 88. Brewer Assembly - No Filter



## Refreshment Center 3 Parts Manual

**TABLE 88. BREWER ASSEMBLY - NO FILTER**

| INDEX | PART NUMBER | DESCRIPTION   | QTY. |
|-------|-------------|---|------|
| -     | 6204216     | BREWER ASSEMBLY - NO FILTER                                   | 1    |
| -     | 3614011     | BREWER ASSEMBLY - COMMON (INCLUDES ALL ITEMS EXCEPT INDEX 42) | 1    |
| 1     | 6134112     | BRACKET - REAR SPACER   | 1    |
| 2     | 3614004     | TEA DEFLECTOR   | 1    |
| 3     | 6134123     | CHANNEL - BARREL SUPPORT                                      | 1    |
| 4     | 6104122     | LEVER ASSEMBLY - FUNNEL MOUNT                                 | 1    |
| 5     | 6134104     | STUD - PIVOT  | 3    |
| 6     | 6104386     | LEVER ASSEMBLY - BASKET (SEE FIGURE 90 FOR DETAILS)           | 1    |
| 7     | 6104126     | STOP - BASKET TRAVEL LEVER                                    | 1    |
| 8     | 6134102     | CAM - BASKET ROLLER   | 1    |
| 9     | 6134157     | STOP - ADJUSTABLE BREWER                                      | 1    |
| 10    | 6234225     | SPRING - BREWER   | 2    |
| 11    | 6104410     | SCREW #10-32 X 1/4 PHS W/LW SS                                | 14   |
| 12    | 6104409     | SCREW #10-32 X 1/2 PHS W/LW SS                                | 4    |
| 13    | 6134167     | FRAME ASSEMBLY - RIGHT SIDE                                   | 1    |
| 14    | 6134160     | NUT # 1/4-20 HEX  | 1    |
| 15    | 6134105     | BUSHING - FRAME   | 2    |
| 16    | 6134161     | LOCKWASHER - 1/4 EXT TOOTH                                    | 1    |
| 17    | 6234289     | LOCKNUT - #1/4-20   | 2    |
| 18    | 6134199     | WARNING LABEL - BREWER COVER REMOVAL - ENGLISH                | 1    |
| 19    | 4754002     | LATCH - BREWER  | 1    |
| 21    | 4754003     | STUD - RETAINER - BREWER                                      | 1    |
| 20    | 9900208     | SPRING WASHER .625 X.280 X.006                                | 1    |
| 22    | 3106215     | NUT #8-32 STAINLESS   | 1    |
| 23    | 6134163     | PUSH NUT .500   | 2    |
| 24    | 6134195     | SPACER - BUSHING  | 1    |
| 25    | 6104464     | GEAR DRIVE - FILTER TAPE                                      | 2    |
| 26    | 6104216     | ROLL PIN  | 1    |
| 27    | 6104201     | FUNNEL CAM ASSEMBLY   | 1    |
| 28    | 6104462     | GROOVE PIN  | 4    |
| 29    | 6104204     | BASKET TRAVEL CAM ASSEMBLY                                    | 1    |
| 30    | 6134119     | BRACKET - SPRING - FRONT SPACER                               | 1    |
| 31    | 6104129     | EXTENSION SPRING - FUNNEL BASKET TRAVEL LEVERS                | 2    |
| 32    | 6104163     | EXTENSION SPRING - FLIP LEVER                                 | 1    |
| 33    | 6224106     | CAM ASSEMBLY - FLIP   | 1    |
| 34    | 6134122     | SHAFT - CAM   | 1    |
| 35    | 6104428     | BASKET ASSEMBLY - BREWER 230 MESH (SEE FIGURE 89 FOR DETAILS) | 1    |
| 36    | 6134120     | BRACKET - FRONT SPACER  | 1    |



157p0095

Figure 86. Blower and Mounting Assembly (Continued)





**TABLE 88. BREWER ASSEMBLY - NO FILTER (CONTINUED)**

| INDEX | PART NUMBER | DESCRIPTION  | QTY. |
|-------|-------------|--|------|
| 37    | 6104165     | SHAFT - LEVER  | 1    |
| 38    | 6134111     | FRAME ASSEMBLY - LEFT SIDE                                   | 1    |
| 39    | 6134127     | ARM ASSEMBLY - COUPLING                                      | 1    |
| 40    | 6134101     | LEVER - FLIP   | 1    |
| 41    | 6104101     | FLIP LEVER ASSEMBLY  | 1    |
| 42    | 6134187     | FUNNEL ASSEMBLY - 30 MESH SCREEN (SEE FIGURE 91 FOR DETAILS) | 1    |
| 43    | 6134151     | BARREL ASSEMBLY - BREWER (SEE FIGURE 92 FOR DETAILS)         | 1    |
| 44    | 6234288     | BOLT - 1/4-20X1 1/2  | 2    |

**THE FOLLOWING ARE AVAILABLE AS ASSEMBLIES:**

|         |  |
|---------|--|
| 6134149 | FRAME ASSEMBLY - R H - BREWER - TAPELESS (INCLUDES INDEX NUMBERS 8 - 10, 14 - 17, 26, 27)    |
| 6224105 | SHAFT ASSEMBLY - CAM (INCLUDES INDEX NUMBERS 24, 26 - 30, 34, 35)                            |
| 6134179 | FRAME & FLIP LEVER ASSEMBLY - LH - BREWER (INCLUDES INDEX NUMBERS 6, 11, 13, 14, 39, 25, 41) |

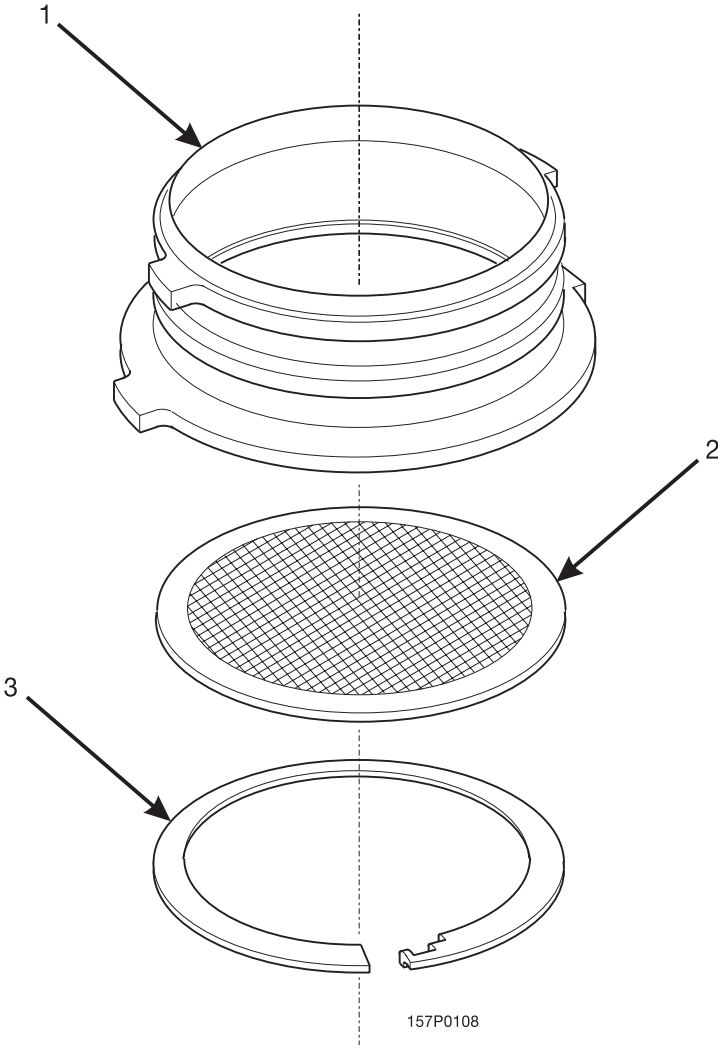


Figure 89. Brewer Basket Assembly



# Refreshment Center 3 Parts Manual

TABLE 89. BREWER BASKET ASSEMBLY

| INDEX | PART NUMBER | DESCRIPTION                         | QTY. |
|-------|-------------|-------------------------------------|------|
| -     | 6104428     | BASKET ASSEMBLY - BREWER - 230 MESH | -    |
| 1     | 6104439     | BASKET - BREW                       | 1    |
| 2     | 6114015     | SCREEN ASSEMBLY - BREW              | 1    |
| 3     | 6104438     | SPRING - SCREEN RETAINER            | 1    |

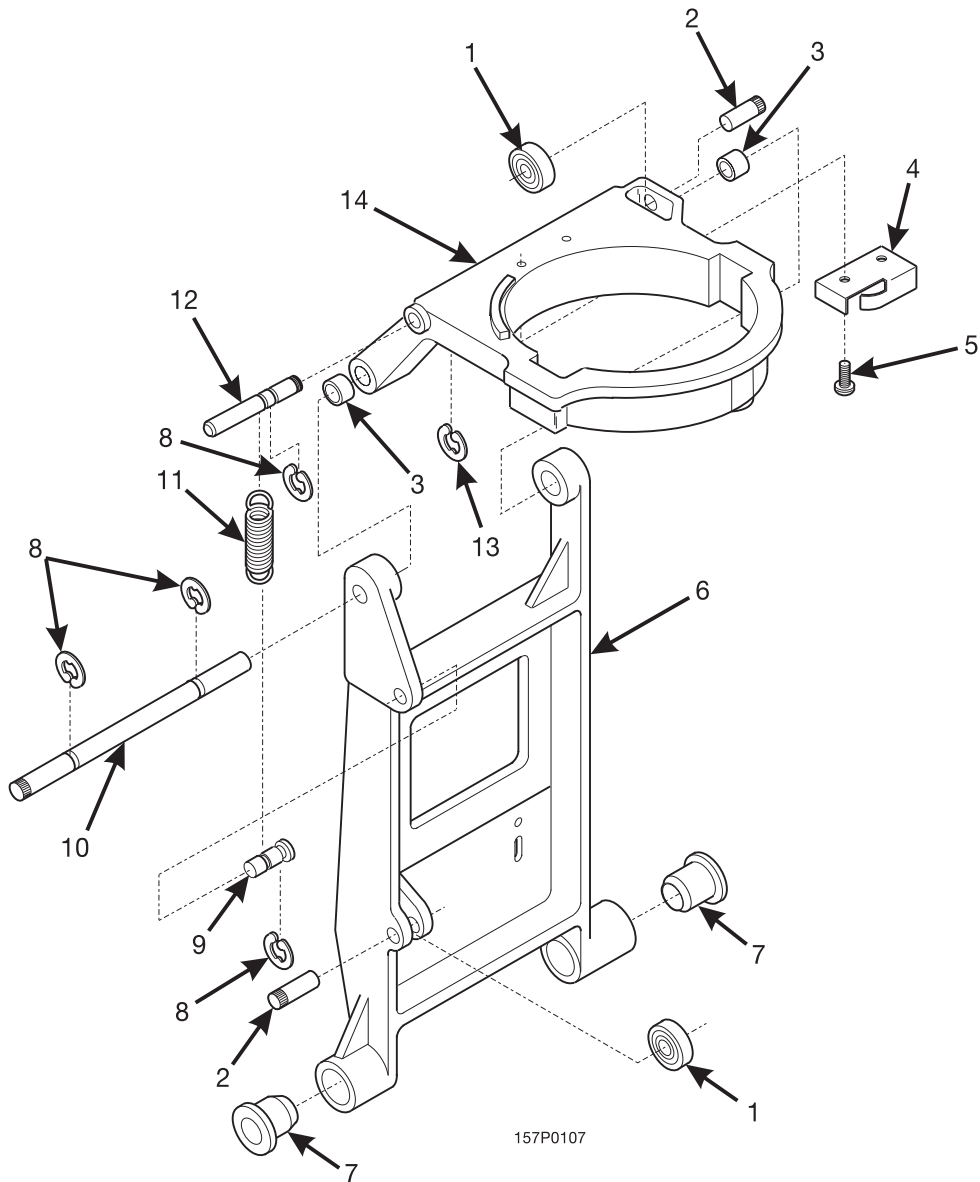


Figure 90. Basket Lever Assembly



**TABLE 90. BASKET LEVER ASSEMBLY**

| <b>INDEX</b> | <b>PART NUMBER</b> | <b>DESCRIPTION</b>                      | <b>QTY.</b> |
|--------------|--------------------|---|-------------|
| -            | 6104386            | BASKET LEVER ASSEMBLY                   | 1           |
| 1            | 6104019            | ROLLER ASSEMBLY                         | 2           |
| 2            | 6104104            | PIN - ROLLER                            | 2           |
| 3            | 6104021            | BUSHING - SHUTTER ROLLER                | 2           |
| 4            | 6104384            | STOP - LOWER HALF BREW BASKET           | 1           |
| 5            | 6204211            | SCREW - #6-32 X 1/4 PHS T/C SS          | 2           |
| 6            | 6134293            | LEVER - BASKET TRAVEL                   | 1           |
| 7            | 6104472            | BUSHING - BASKET TRAVEL LEVER #D238     | 2           |
| 8            | 3103029            | WALDES TRUARC RING                      | 4           |
| 9            | 6134065            | POST - SPRING - SHORT                   | 1           |
| 10           | 6104115            | SHAFT - PIVOT - BASKET LEVERS           | 1           |
| 11           | 6104111            | SPRING - EXTENSION - BREW BASKET LEVERS | 1           |
| 12           | 6134064            | POST - SPRING - LONG                    | 1           |
| 13           | 6134063            | RETAINING RING - CRESENT 1/4            | 1           |
| 14           | 6104387            | LEVER - BREW BASKET                     | 1           |

**THE FOLLOWING ARE AVAILABLE AS ASSEMBLIES:**

|         |   |
|---------|---|
| 6134180 | LEVER ASSEMBLY - BASKET TRAVEL (INCLUDES INDEX NUMBERS 1, 2, 7, 8, 9, 13) |
| 6134181 | LEVER ASSEMBLY - BREW BASKET (INCLUDES INDEX NUMBERS 1-5, 8, 12-14)       |

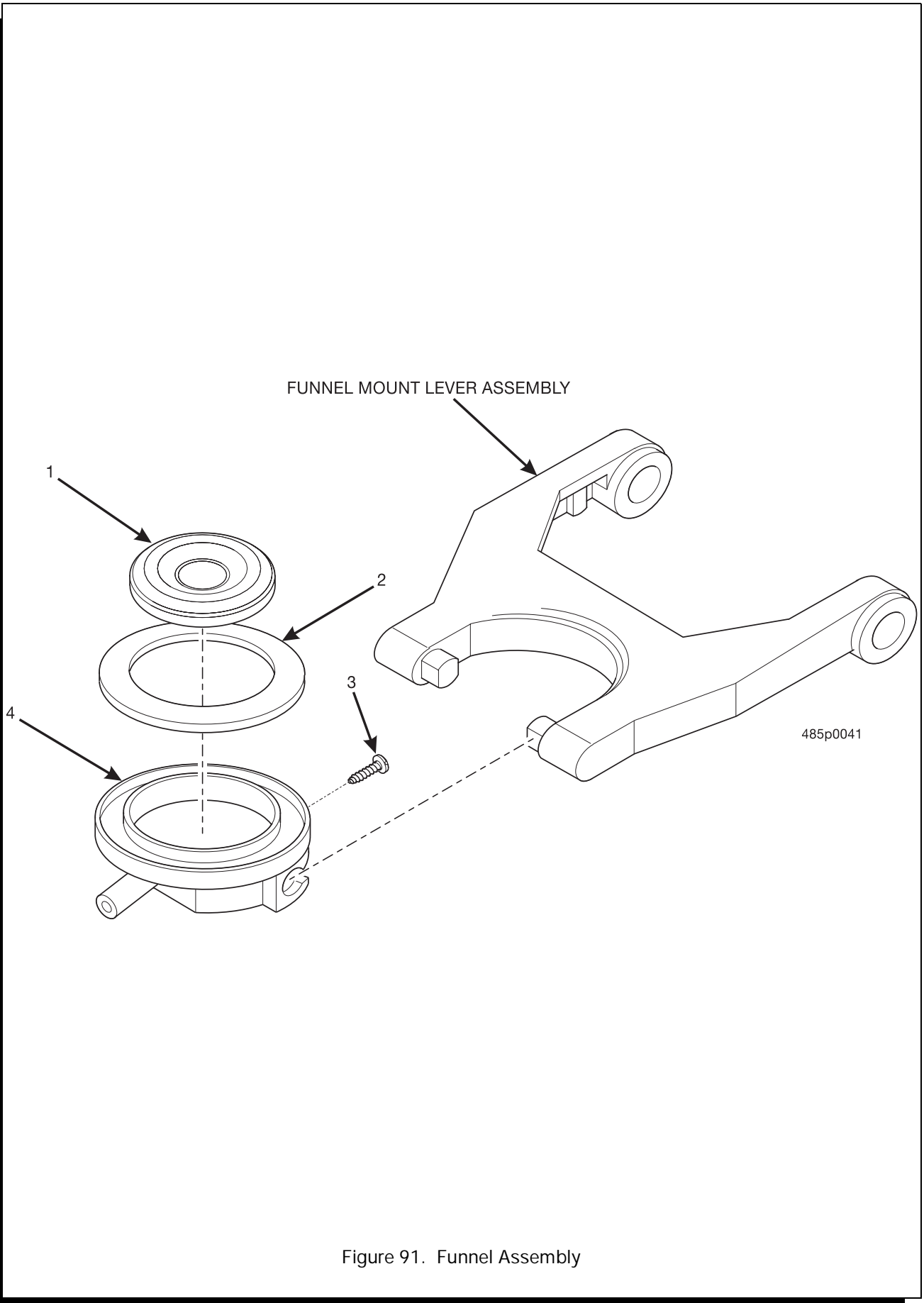


Figure 91. Funnel Assembly



# Refreshment Center 3 Parts Manual

TABLE 91. FUNNEL ASSEMBLY

| INDEX | PART NUMBER | DESCRIPTION                      | QTY. |
|-------|-------------|----------------------------------|------|
| -     | 6134187     | FUNNEL ASSEMBLY - 30 MESH SCREEN | 1    |
| 1     | 6334019     | FILTER SUPPORT - 30 MESH         | 1    |
| 2     | 6234375     | SEAL - BREWER                    | 1    |
| 3     | 6204211     | SCREW - #6-32 X 1/4 PHS T/C SS   | 1    |
| 4     | 6204240     | FUNNEL - COFFEE                  | 1    |

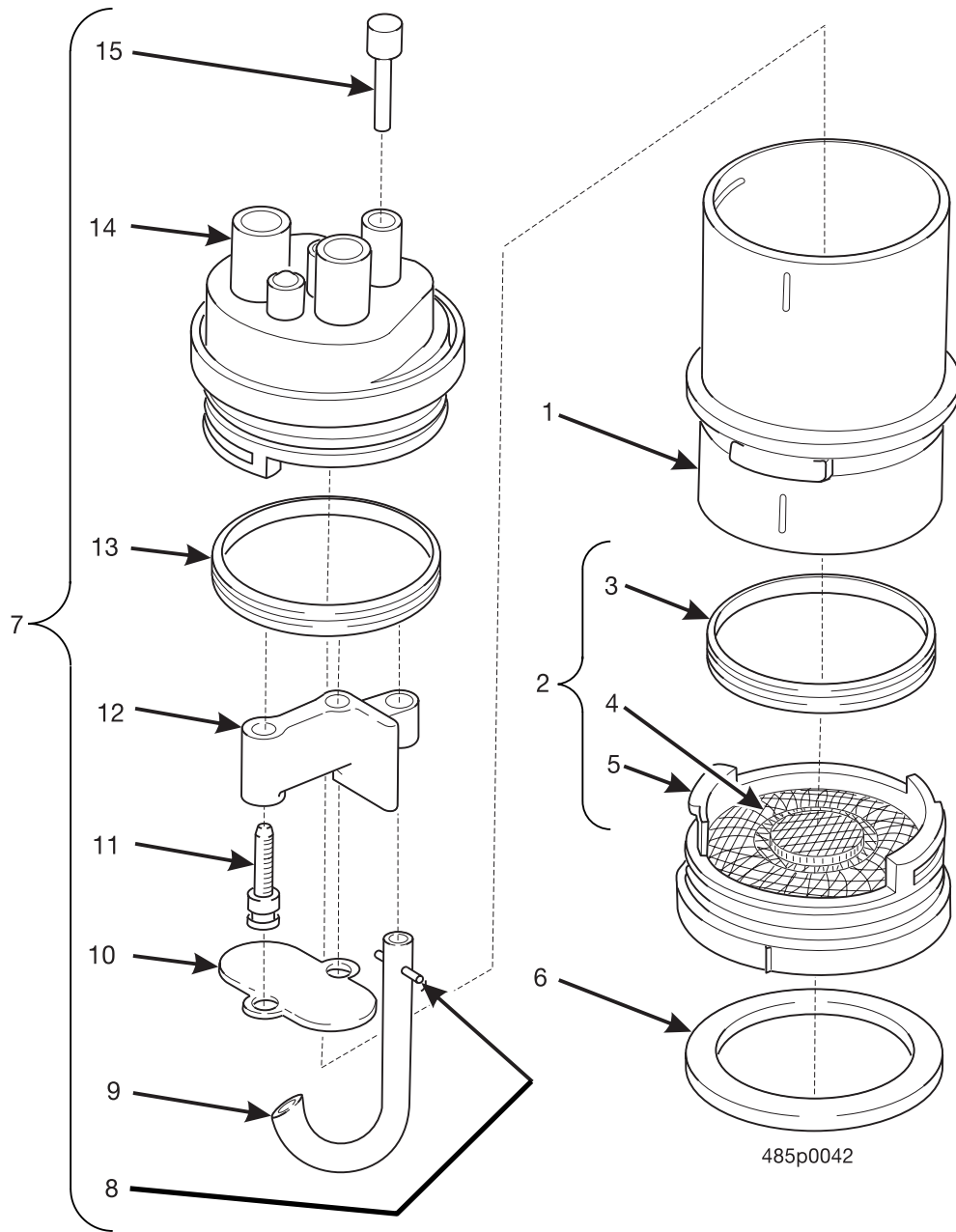


Figure 92. Brewer Barrel Assembly





## Refreshment Center 3 Parts Manual

TABLE 92. BREWER BARREL ASSEMBLY

| INDEX | PART NUMBER | DESCRIPTION  | QTY. |
|-------|-------------|--|------|
| -     | 6134151     | BREWER BARREL ASSEMBLY   | 1    |
| 1     | 6104184     | BREWER BARREL  | 1    |
| 2     | 6104190     | BREW BARREL - LOWER INSERT ASSEMBLY (INCLUDES INDEX NUMBERS 3-5)       | 1    |
| 3     | 6104193     | QUAD RING SEAL   | 2    |
| 4     | 6134286     | SCREEN - BREWER BARREL   | 1    |
| 5     | 6104181     | LOWER INSERT - BREWER BARREL   | 1    |
| 6     | 6234375     | SEAL - BREWER  | 1    |
| 7     | 6134152     | MANIFOLD ASSEMBLY - HOSE - BREWER BARREL (INCLUDES INDEX NUMBERS 8-15) | 1    |
| 8     | 6106107     | ROLL PIN   | 1    |
| 9     | 6134197     | TUBE - AIR JET   | 1    |
| 10    | 6204229     | DEFLECTOR - MANIFOLD   | 1    |
| 11    | 6134173     | SCREW - SHOULDER   | 2    |
| 12    | 6134155     | MANIFOLD - BREWER BARREL   | 1    |
| 13    | 6104193     | QUAD RING SEAL - LOWER BREWER INSERT                                   | 1    |
| 14    | 6134178     | MANIFOLD & INSERT ASSEMBLY - BREWER                                    | 1    |
| 15    | 6134192     | PLUG - BREWER MANIFOLD   | 1    |

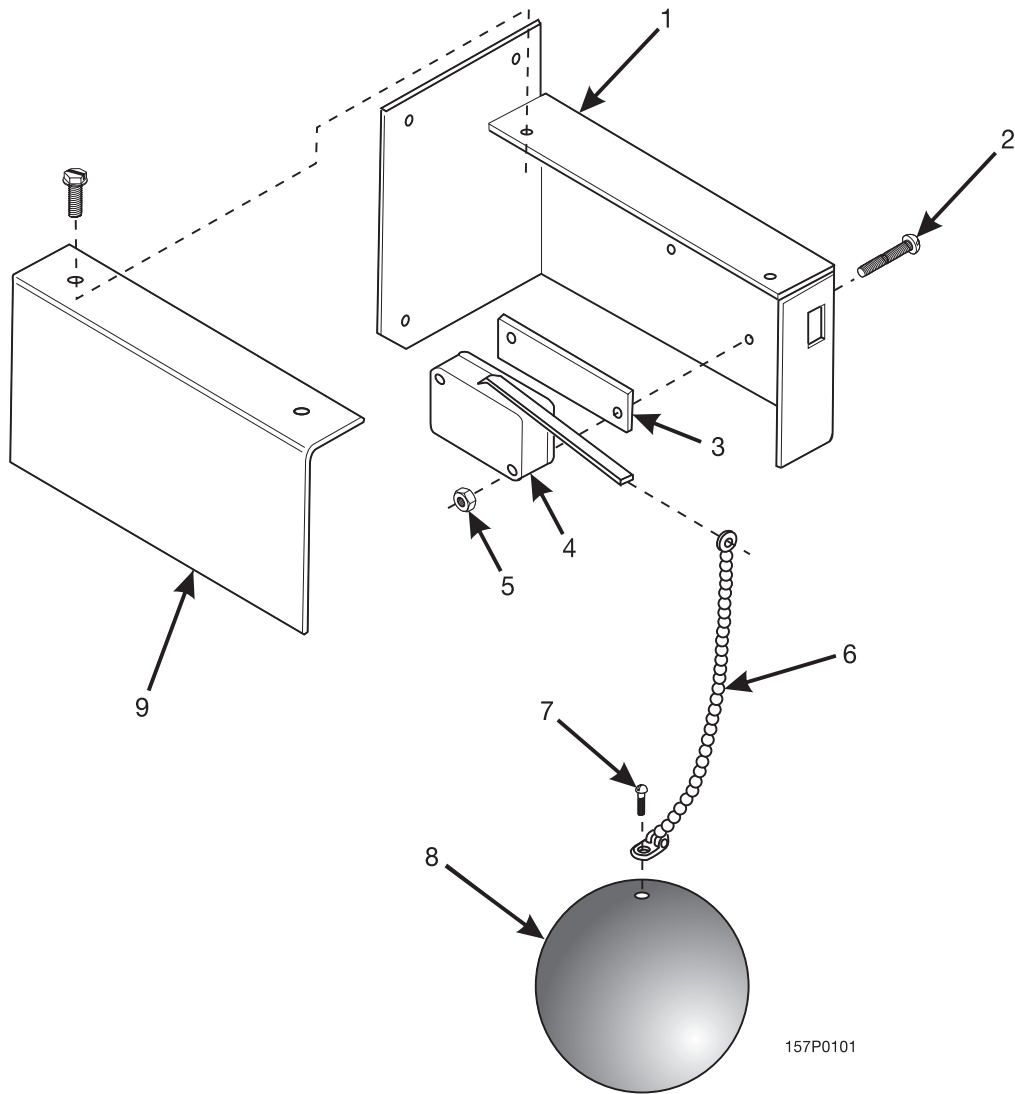


Figure 93. Overflow Switch Assembly



## Refreshment Center 3 Parts Manual

TABLE 93. OVERFLOW SWITCH ASSEMBLY

| INDEX | PART NUMBER | DESCRIPTION                        | QTY. |
|-------|-------------|------------------------------------|------|
| -     | 4731158     | OVERFLOW SWITCH ASSEMBLY           | 1    |
| 1     | 3116123     | BRACKET ASSEMBLY - OVERFLOW SWITCH | 1    |
| 2     | 1217160     | 4-40 X 5/8 RHS M SCREW Z/Y         | 2    |
| 3     | 3121150     | INSULATION - OVERFLOW SWITCH       | 1    |
| 4     | 2304108     | SWITCH LEVER V3L-131-D8            | 1    |
| 5     | 1217159     | 4-40 KEPS W/EXT L/WAS H ZP         | 2    |
| 6     | 4731159     | CHAIN - OVERFLOW SWITCH            | 1    |
| 7     | 4047054     | SCREW #8 18X1/2 RHS T/C            | 1    |
| 8     | 3116127     | FLOAT - OVERFLOW SWITCH            | 1    |
| 9     | 3116126     | COVER - OVERFLOW SWITCH            | 1    |

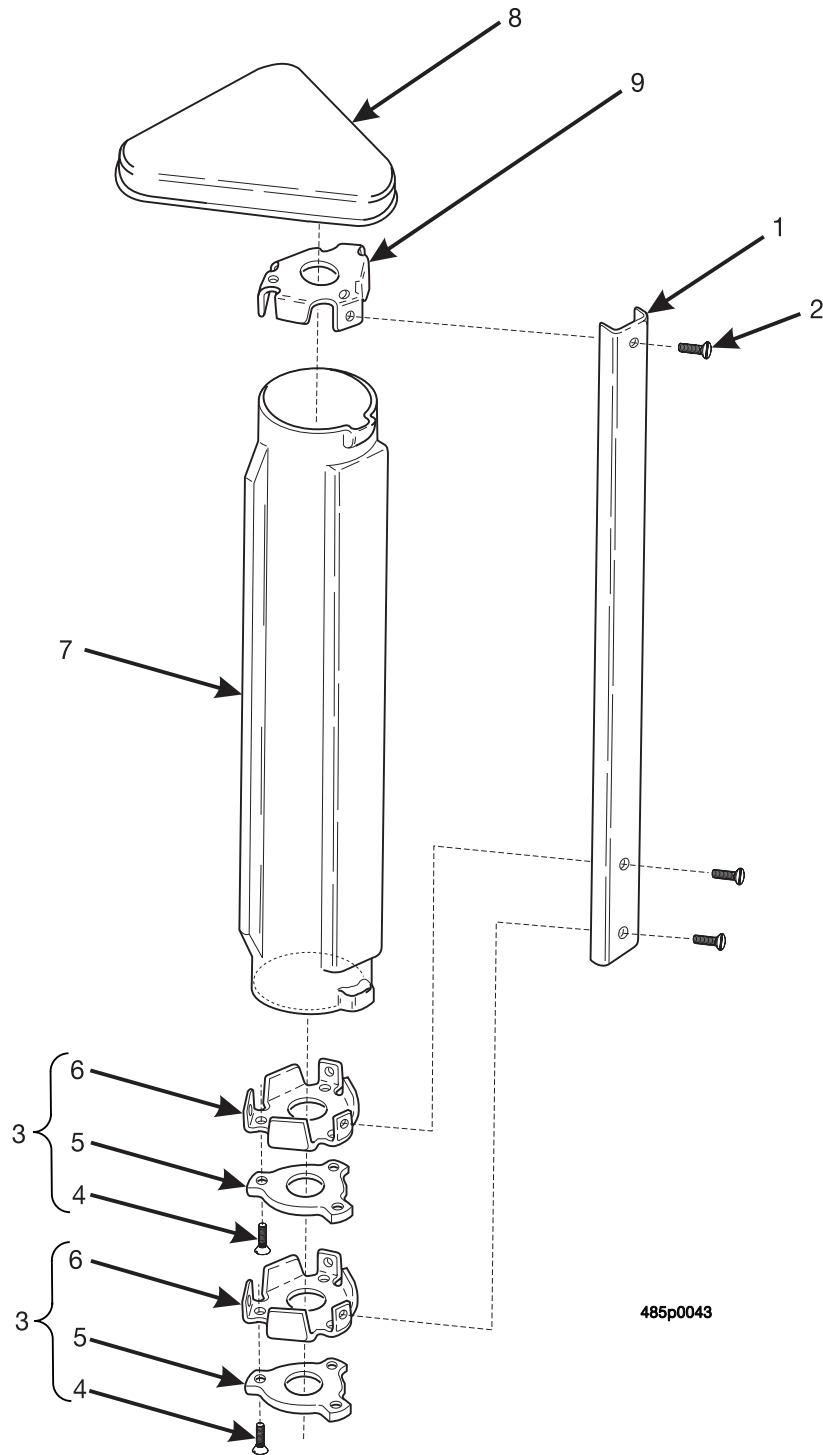


Figure 94. Cup Turret Assembly



## Refreshment Center 3 Parts Manual

TABLE 94. CUP TURRET ASSEMBLY

| INDEX | PART NUMBER | DESCRIPTION                          | QTY. |
|-------|-------------|--------------------------------------|------|
| -     | 4733025     | CUP TURRET ASSEMBLY                  | 1    |
| 1     | 4733026     | CHANNEL - CUP TURRET                 | 3    |
| 2     | 1451097     | SCREW - #8-32 X .31 HEX HD T/F - BLK | 9    |
| 3     | 4733037     | BUSHING AND PLATE ASSEMBLY           | 2    |
| 4     | 1451097     | SCREW #8-32 X .31 HD - T/F - BLACK   | 3    |
| 5     | 4733020     | BUSHING - TURRET SHAFT               | 1    |
| 6     | 4733027     | PLATE - CUP TURRET                   | 1    |
| 7     | 3123146     | TUBE - CUP                           | 3    |
| 8     | 4733028     | COVER - CUP TURRET                   | 1    |
| 9     | 4733027     | PLATE - CUP TURRET                   | 1    |

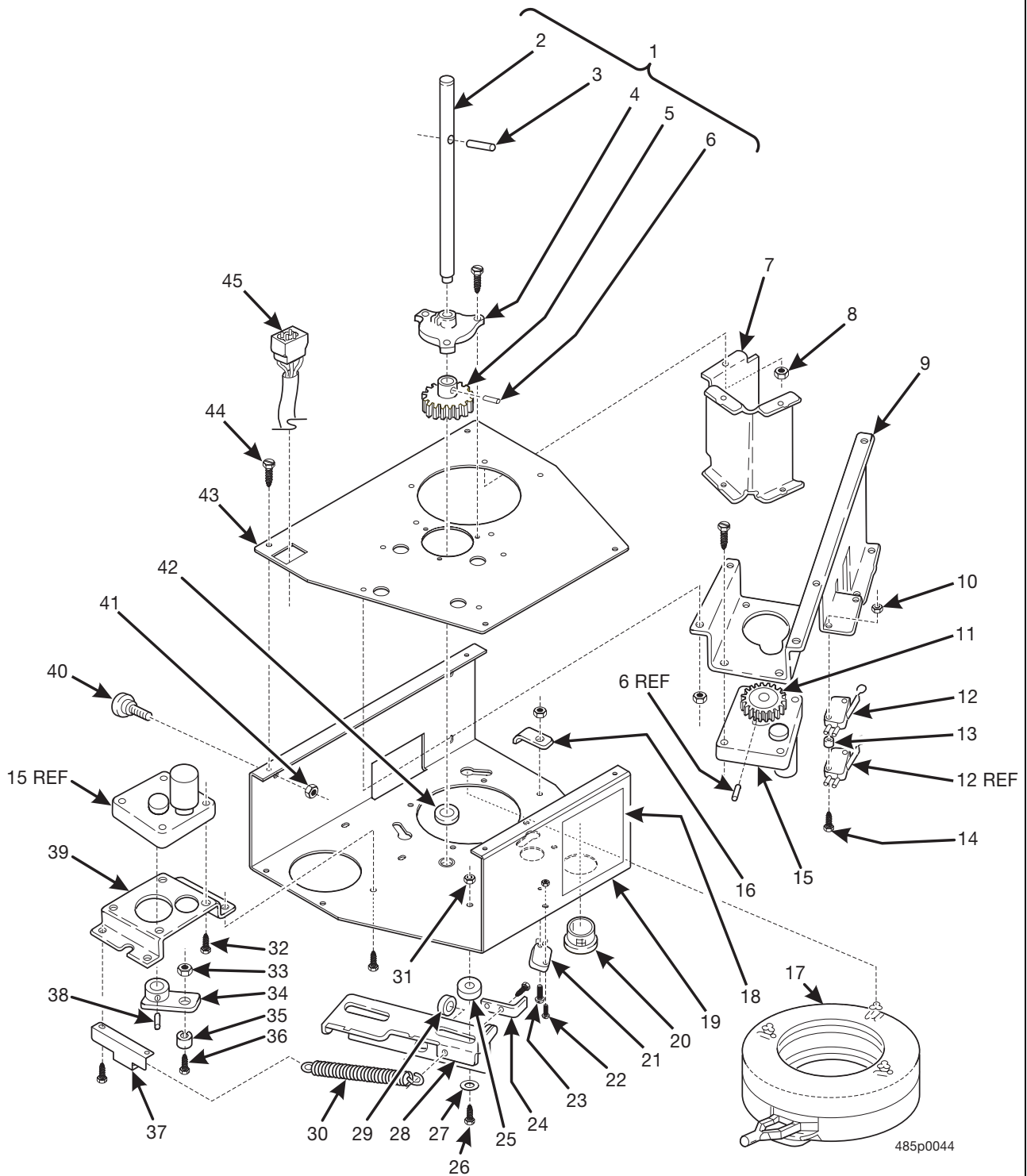


Figure 95. Cup Dispenser Assembly



## Refreshment Center 3 Parts Manual

TABLE 95. CUP DISPENSER ASSEMBLY

| INDEX | PART NUMBER | DESCRIPTION   | QTY. |
|-------|-------------|---|------|
| -     | 4853009     | CUP DISPENSER ASSEMBLY                                | 1    |
| 1     | 4733019     | SHAFT AND GEAR ASSEMBLY (INCLUDES INDEX NUMBERS 7-11) | 1    |
| 2     | 4733018     | SHAFT - TURRET  | 1    |
| 3     | 3127034     | PIN - ROLL - 1/8 X 13/16                              | 1    |
| 4     | 4733020     | BUSHING - TURRET SHAFT                                | 1    |
| 5     | 4733017     | GEAR - TURRET SHAFT                                   | 1    |
| 6     | 1306519     | PIN - ROLL - 3/32 X 3/4                               | 2    |
| 7     | 4733004     | GUIDE - FRONT - CUP DISPENSER                         | 1    |
| 8     | 9900081     | NUT #8-32, KEPS, ZINC PLATED                          | 9    |
| 9     | 4733003     | GUIDE - REAR - CUP DISPENSER                          | 1    |
| 10    | 1217159     | NUT #4-40 KEPS  | 4    |
| 11    | 4733009     | GEAR - MOTOR  | 1    |
| 12    | 3113008     | SWITCH ASSEMBLY                                       | 2    |
| 13    | 1127806     | ROLLER  | 2    |
| 14    | 3113003     | SCREW #4-40 X 1-1/4 RHS                               | 2    |
| 15    | 4733008     | MOTOR   | 2    |
| 16    | 3103016     | SEPARATOR LOCK - CUP                                  | 1    |
| 17    | 3143005     | RING ASSEMBLY - CUP                                   | 1    |
| 18    | 4751042     | LABEL - CUP TURRET - LOADING                          | 1    |
| 19    | 4853001     | PLATE - BOTTOM - CUP DISPENSER                        | 1    |
| 20    | 4021063     | BUSHING   | 1    |
| 21    | 2306488     | SWITCH  | 1    |
| 22    | 1217160     | SCREW #4-40 X 5/8 RHS                                 | 2    |
| 23    | 9900019     | SCREW #8-32   | 1    |
| 24    | 4733014     | ANGLE - CUP RELEASE ARM                               | 1    |
| 25    | 4733010     | BUSHING - RELEASE ARM - CUP RING                      | 1    |
| 26    | 1277102     | SCREW #10-32 X 5/8, RHS, SEMS, EXT, ZINC PLATED       | 2    |
| 27    | 4733011     | WASHER, RELEASE ARM BUSHING                           | 1    |
| 28    | 4733013     | ARM - RELEASE - CUP RING                              | 1    |
| 29    | 3143004     | BUSHING   | 1    |
| 30    | 4733035     | SPRING - RELEASE ARM - CUP RING                       | 1    |
| 31    | 9900164     | NUT #10-32, KEPS, ZINC PLATED                         | 5    |
| 32    | 1217161     | SCREW #10-32 X 1/2, RHS, SEMS, EXT, ZINC PLATED       | 8    |
| 33    | 1407048     | NUT - #10-32, M/F, ZINC PLATED                        | 1    |
| 34    | 4733022     | CAM AND BUSHING ASSEMBLY                              | 1    |
| 35    | 4733040     | ROLLER ASSEMBLY - RELEASE ARM CAM                     | 1    |
| 36    | 3172043     | SCREW - SHOULDER                                      | 1    |

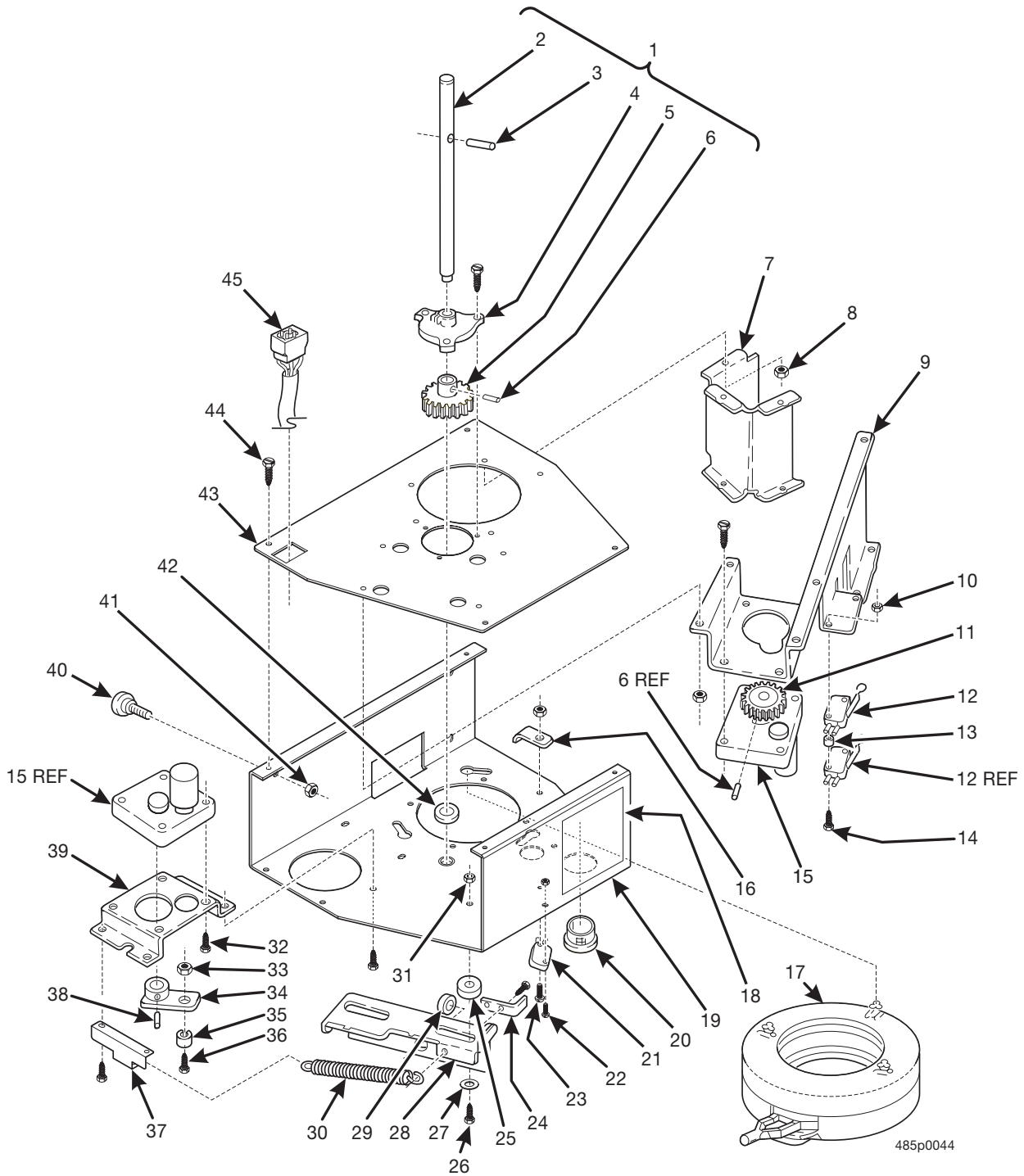


Figure 95. Cup Dispenser Assembly (Continued)





## Refreshment Center 3 Parts Manual

TABLE 95. CUP DISPENSER ASSEMBLY (CONTINUED)

| INDEX | PART NUMBER | DESCRIPTION                            | QTY. |
|-------|-------------|--|------|
| 37    | 4853003     | BRACKET - SPRING HOOK                  | 1    |
| 38    | 6107020     | PIN - ROLL - 3/32 X 13/16              | 1    |
| 39    | 4853002     | BRACKET - MOTOR MOUNTING               | 1    |
| 40    | 4733005     | STUD - MOUNTING - CUP TURRET           | 1    |
| 41    | 9900164     | NUT #10-32, KEPS, ZINC PLATED          | 5    |
| 42    | 4242145     | BEARING - THRUST - LOWER HINGE         | 1    |
| 43    | 4853004     | TOP PLATE AND STUD ASSEMBLY            | 1    |
| 44    | 1451097     | SCREW #8-32 X 5/16, HEX HD, T/F, BLACK | 18   |
| 45    | 4833039     | HARNESS - CUP DISPENSER                | 1    |

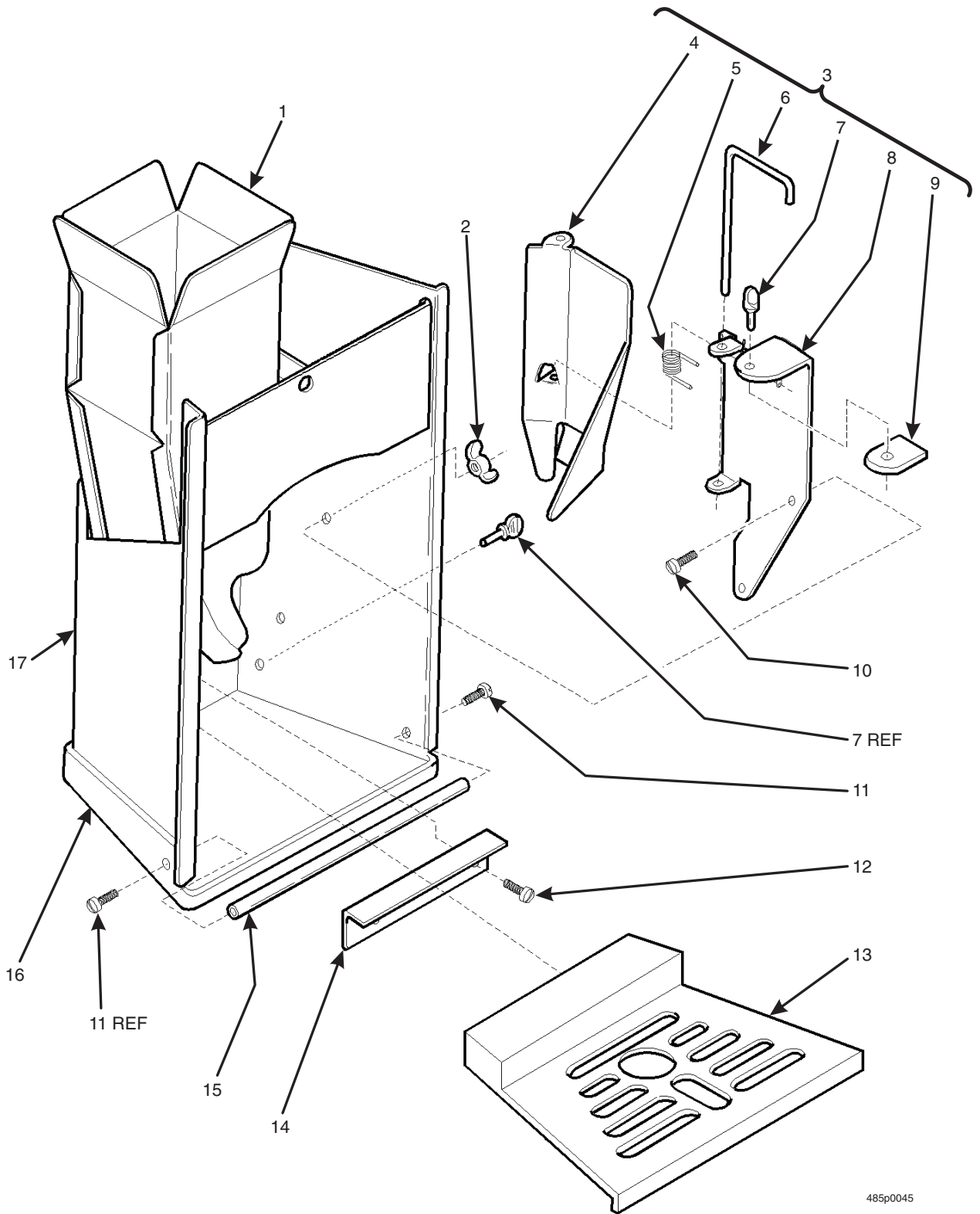


Figure 96. Cup Station Assembly



## Refreshment Center 3 Parts Manual

TABLE 96. CUP STATION ASSEMBLY

| INDEX | PART NUMBER | DESCRIPTION   | QTY. |
|-------|-------------|---|------|
| -     | 4731152     | CUP STATION ASSEMBLY                                  | -    |
| 1     | 4731150     | CUP CHUTE WELD ASSEMBLY                               | 1    |
| 2     | 3103133     | WING NUT #8-32, STAINLESS                             | 2    |
| 3     | 3103103     | DEFLECTOR ASSEMBLY - CUP (INCLUDES INDEX NUMBERS 4-9) | 1    |
| 4     | 3103106     | DEFLECTOR - CUP - PIVOTED                             | 1    |
| 5     | 3103105     | SPRING - PIVOT BAR - CUP HOLDER                       | 1    |
| 6     | 3103104     | BAR - PIVOT - CUP HOLDER                              | 1    |
| 7     | 6104051     | THUMB SCREW #10-32 X 1/2                              | 2    |
| 8     | 3103107     | BRACKET - CUP DEFLECTOR                               | 1    |
| 9     | 3103108     | LOCKING BAR - CUP HOLDER                              | 1    |
| 10    | 3123134     | SCREW - #8-32 X 3/8, THS, UNSLOTTED, STAINLESS        | 2    |
| 11    | 6114118     | SCREW - #6-32 X 7/16 PHS W/LW - SS                    | 2    |
| 12    | 3104125     | SCREW - #8-32 X 1/4, PHS, STAINLESS                   | 5    |
| 13    | 4731326     | GRILL - CUP COMPARTMENT                               | 1    |
| 14    | 4731023     | SUPPORT - GRILL - CUP STATION                         | 1    |
| 15    | 4731024     | SPACER - CUP STATION                                  | 1    |
| 16    | 4731001     | BASE - CUP STATION                                    | 1    |
| 17    | 4731151     | CUP STATION WELD ASSEMBLY                             | 1    |

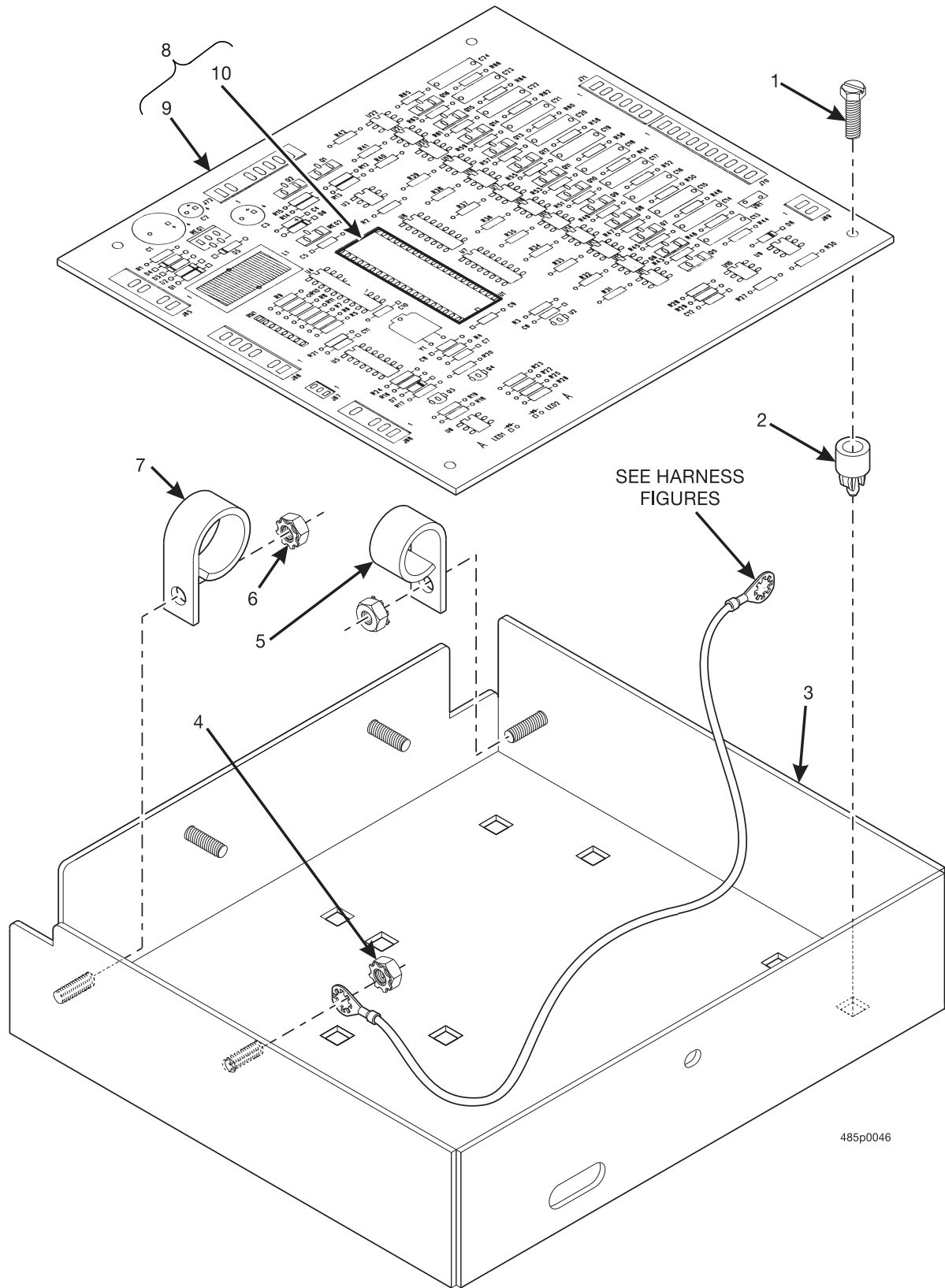
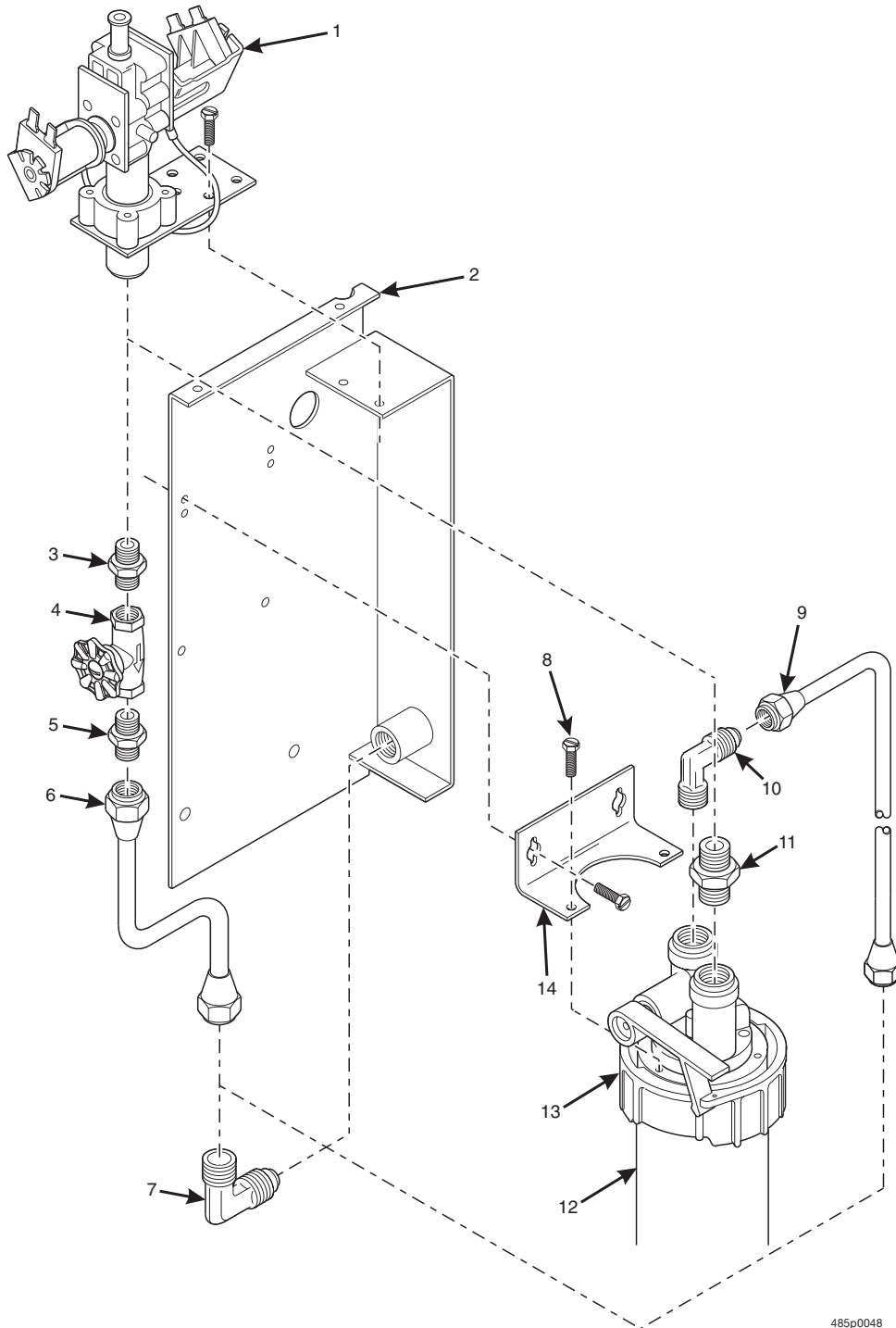


Figure 97. Cover and PCB Assembly

**TABLE 97. COVER AND PCB ASSEMBLY**

| INDEX | PART NUMBER | DESCRIPTION                                | QTY. |
|-------|-------------|--|------|
| -     | 4851049     | COVER AND PCB ASSEMBLY - COFFEE            | 1    |
| 1     | 1471199     | SCREW - #8-18 X .62 HEX/WH.                | 4    |
| 2     | 1571034     | STANDOFF - PCB-3/8 SCREW MOUNT             | 10   |
| 3     | 4851031     | COVER ASSEMBLY - PCB - COFFEE              | 1    |
| 4     | 9900081     | NUT - #8-32 KEPS ZINC PLATE                | 1    |
| 5     | 4732024     | RETAINER - HARNESS                         | 1    |
| 6     | 9900081     | NUT #8-32 KEPS ZINC PLATE                  | 2    |
| 7     | 4751060     | RETAINER - HARNESS                         | 1    |
| 8     | 4856003     | CABINET CONTROLLER - WITH PROGRAMMED EPROM | 1    |
| 9     | 7856000     | PCB ASSEMBLY - RC3 - COFFEE MODULE - 115V  | 1    |
|       | 4516001     | PCB ASSEMBLY - RC3 - COFFEE MODULE - 230V  |      |
| 10    | SEE LABEL   | IC ASSEMBLY                                | 1    |



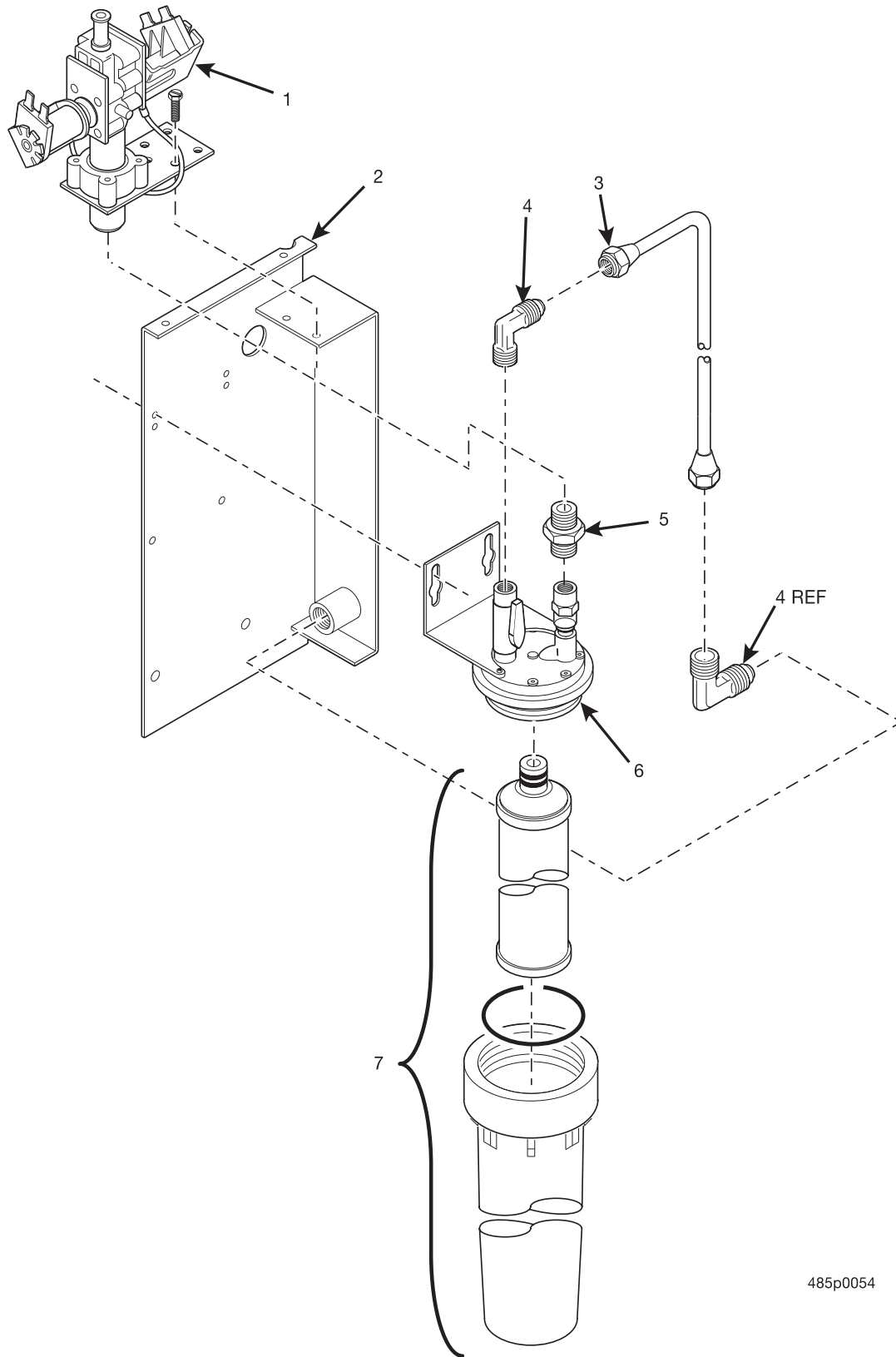
485p0048

Figure 98. Water Inlet Assembly - No Filter Option/Everpure Option



## Refreshment Center 3 Parts Manual

| TABLE 98. WATER INLET ASSEMBLY - NO FILTER OPTION/EVERPURE OPTION |            |  |      |
|---|------------|--|------|
| INDEX   | PARTNUMBER | DESCRIPTION  | QTY. |
| -   | 4751034    | INLET & VALVE ASSEMBLY - NO FILTER OPTION (INCLUDES INDEX NUMBERS 1-7)                             | 1    |
|   | 4751036    | FILTER HEAD AND BRACKET ASSEMBLY - WITH EVERPURE FILTER OPTION (INCLUDES INDEX NUMBERS 1, 2, 9-14) |      |
| -   | 1451097    | SCREW - #8-32X.31 HEX HD. TF - BLK.  | 2    |
| -   | 9900163    | SCREW #10-32 X 5/8 RHS T/C   | 2    |
| -   | -          | NO FILTER OPTION (INCLUDES INDEX NUMBERS 3 - 6)  | OPT  |
| 1   | 3108045    | VALVE WI VAL K19146 N/42   | 1    |
| 2   | 4711007    | COUPLING & BRACKET ASSEMBLY  | 1    |
| 3   | 6108082    | REDUCING NIPPLE 1/4 IPS TO 3/8 IPS   | 1    |
| 4   | 3108048    | VALVE WATER - CONBRACO #57-001-01 1/4" GLOBE VALVE   | 1    |
| 5   | 3128151    | CONNECTOR - MALE - COUPLINGS 48CC, PH#48F-4-4, MALE 1/4 SAE FLX1/4                                 | 1    |
| 6   | 4731172    | TUBE ASSEMBLY - CABINET TO STRAINER  | 1    |
| 7   | 3128150    | ELBOW - MALE - COUPLINGS #49CE 1/4 SAE FLX 3/8 NPTF, P#149F-6-6                                    | 1    |
| 8   | 9900163    | SCREW #10-32 X 5/8 RHS T/C   | -    |
| 9   | 6151037    | TUBE ASSEMBLY - CABINET TO STRAINER  | 1    |
| 10  | 3128150    | ELBOW - MALE - COUPLINGS #49CE 1/4 SAE FLX 3/8 NPTF, P#149F-6-6                                    | 2    |
| 11  | 3608201    | NIPPLE - 3/8 NPTF - HEX #216P-6  | 1    |
| 12  | 6118071    | CARTRIDGE - WATER FILTER - 9611-00-4H - EVERPURE   | 1    |
| 13  | 3158022    | HEAD - WATER FILTER - 9267-12 OC4  | 1    |
| 14  | 3158023    | BRACKET - MOUNTING - WATER FILTER #3046-44   | 1    |



485p0054

Figure 99. Water Inlet Assembly - Hydrolife Option

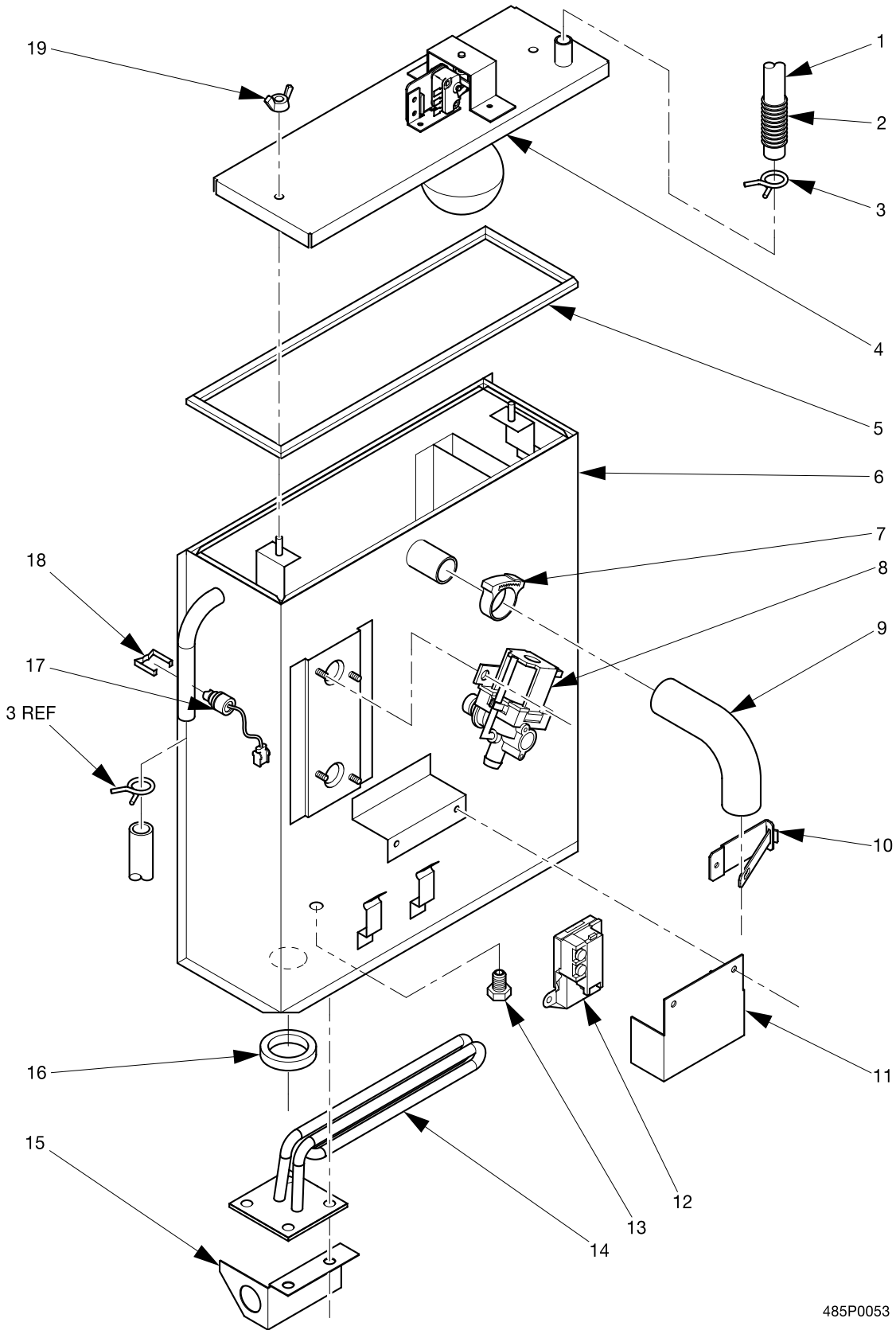




## Refreshment Center 3 Parts Manual

TABLE 99. WATER INLET ASSEMBLY - HYDROLIFE OPTION

| INDEX | PARTNUMBER | DESCRIPTION                                | QTY. |
|-------|------------|--|------|
| 1     | 3108045    | VALVE K19146 N-42                          | 1    |
| 2     | 4711007    | COUPLING AND BRACKET ASSEMBLY              | 1    |
| 3     | 6151037    | TUBE ASSEMBLY - CAB TO STRAINER            | 1    |
| 4     | 3128150    | ELBOW - MALE COUPLING #49CE                | 2    |
| 5     | 3608201    | NIPPLE - 3/8 NPTF - HEX #216P-6            | 1    |
| 6     | 6338027    | HEAD AND BRACKET ASSEMBLY - HLV192-G6710   | 1    |
| 7     | 6408028    | HOUSING - CARTRIDGE AND "O" RING - HLV192H | 1    |



485P0053

Figure 100. Water Tank Assembly

## Refreshment Center 3 Parts Manual

| <b>TABLE 100 . W ATER TANK ASSEM BLY</b> |                    |  |             |
|--|--------------------|--|-------------|
| <b>INDEX</b>                             | <b>PART NUMBER</b> | <b>DESCRIPTION</b>   | <b>QTY.</b> |
| -  | 48580 19           | W ATER TANK ASSEM BLY - 120 V  | -           |
|  | 48580 20           | W ATER TANK ASSEM BLY - 230 V  |             |
| 1  | 310 60 26          | PLASTIC TUBING - 5/8 O D X7/16   | 26 IN       |
|  | 3618105            | TUBING -U.K.SILICONE-.375 X562   |             |
| 2  | 3508126            | COIL TUBE SUPPORT DRAIN  | 1           |
| 3  | 3106013            | CLAM P - HOSE  | 2           |
| 4  | 48580 23           | LID ASSEM BLY - W ATER TANK (SEE FIGURE 10 1 FOR DETAILS)                                  | 1           |
| 5  | 48580 21           | G ASK ET-H.W .T.   | 1           |
| 6  | 48580 0 9          | W ELD ASSEM BLY - W ATER TANK  | 1           |
| 7  | 640 8125           | CLAM P - TUBE  | 1           |
| 8  | 6238112            | VALVE ASSEM BLY - HOT W ATER TANK (SEE FIGURE 10 2 FOR DETAILS)                            | 2           |
| 9  | 6408210            | TUBE-640 820 8-5.0 "   | 1           |
| 10                                       | 640 8154           | PINCH CLAM P ASSEM BLY   |             |
| 11                                       | 6508044            | COVER THERM OSTAT  |             |
| 12                                       | 6508004            | THERM OSTAT CONTROL  | 2           |
| 13                                       | 4751087            | BUSHING PARKER #20 9P - 4 - 2  | 1           |
| 14                                       | 4751241            | HEATER - 120 0 W ATTS - 120 V  | 1           |
|  | 4751242            | HEATER - 120 0 W ATTS - 230 V  |             |
| 15                                       | 4751177            | COVER - HEATER TERM INAL   | 4           |
| 16                                       | 6508006            | G ASK ET HEATER  | 1           |
| 17                                       | 6338003            | THERM OSTAT ASSEM BLY - AU TO RESET  | 1           |
| 18                                       | 4858001            | CLAM P - THERM OSTAT - 1/2 O.D.  | 1           |
| 19                                       | 6158053            | W ING NUT .250 - 20 ZINC DIE CAST  | 1           |
| -  | 62380 74           | "O" RING - .48 ID X.10 (NOT SHOW N)  | 1           |
| <b>ALSO AVAILABLE</b>                    |                    |  |             |
| -  | 990 50 10          | REPL. PK G - W ATER VALVE - HOT DRINK (CONTAINS 10 EACH OF "O" RING PART NUM BER 62380 74) |             |

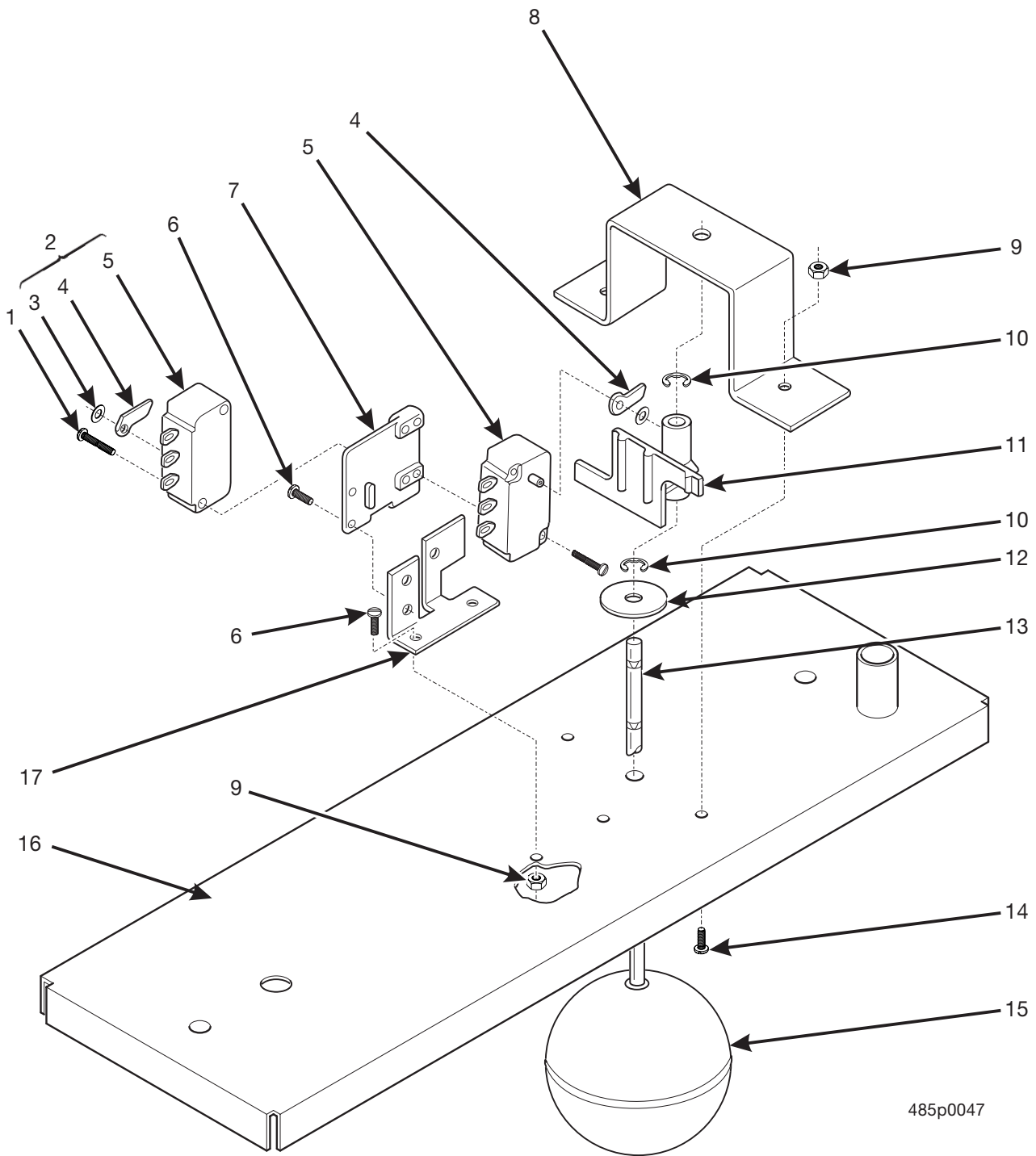


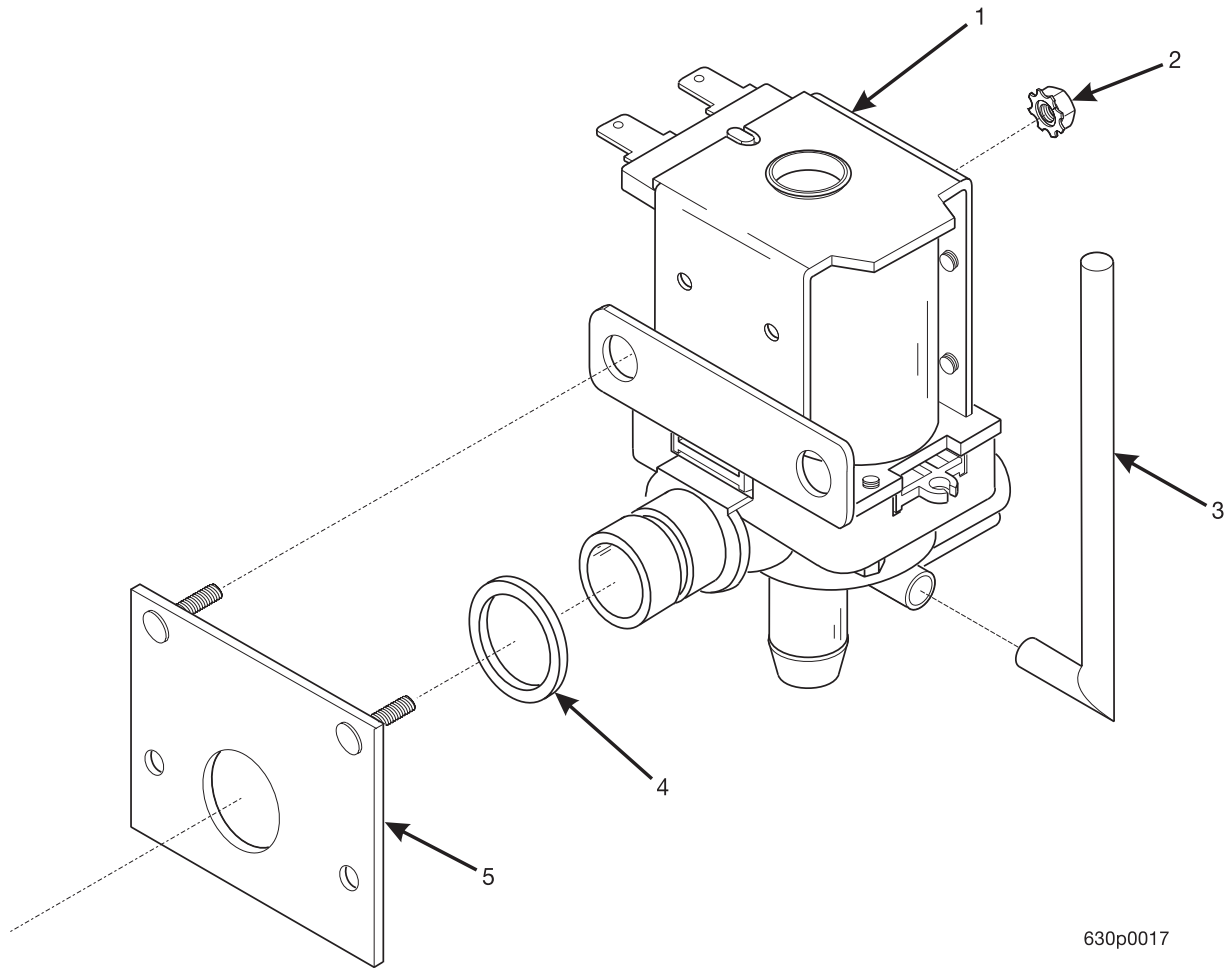
Figure 101. Water Tank Lid Assembly



## Refreshment Center 3 Parts Manual

TABLE 101. WATER TANK LID ASSEMBLY

| INDEX | PART NUMBER | DESCRIPTION   | QTY. |
|-------|-------------|---|------|
| -     | 4858023     | LID ASSEMBLY - WATER TANK                                   | -    |
| 1     | 5201349     | SCREW #4 40 X 11/16 RHS                                     | 4    |
| 2     | 6138123     | SWITCH ASSEMBLY WATER FEEDER (INCLUDES INDEX NUMBERS 3 - 5) | 2    |
| 3     | 1217162     | RETAINER - PUSH ON - .125                                   | 1    |
| 4     | 6138027     | ACTUATOR - SWITCH   | 1    |
| 5     | 3108146     | SWITCH  | 1    |
| 6     | 6138159     | #6-32X1/4 RHS MACH SCREW TY3                                | 4    |
| 7     | 6138004     | PLATE MOUNTING SWITCH                                       | 1    |
| 8     | 6138180     | BRACKET SHAFT   | 1    |
| 9     | 6104429     | KEPS NUT # 6-32 S.S. EXT LW                                 | 4    |
| 10    | 6124073     | RETAINING RING REINF E TYP.1                                | 2    |
| 11    | 6138183     | ACTUATOR SWITCH   | 1    |
| 12    | 6138181     | WASHER PLATE  | 1    |
| 13    | 6208057     | SHAFT-FLOAT   | 1    |
| 14    | 6107244     | SCREW #6-32 X 9/16 PHS W/LW                                 | 2    |
| 15    | 6508033     | FLOAT WATER TANK  | 1    |
| 16    | 4858018     | WELD ASSEMBLY - LID - HOT WATER TANK                        | 1    |
| 17    | 6138175     | BRACKET SWITCH MOUNTING                                     | 1    |



630p0017

Figure 102. Valve Assembly - Hot Water Tank



## Refreshment Center 3 Parts Manual

TABLE 102. VALVE ASSEMBLY - HOT WATER TANK

| INDEX | PART NUMBER | DESCRIPTION                             | QTY. |
|-------|-------------|---|------|
| -     | 6238112     | VALVE ASSEMBLY - HOT WATER TANK - 115 V | -    |
| 1     | 6338053     | VALVE - HWT - PUR - 120 V - K56778-53   | 1    |
| 2     | 9900081     | NUT - #8-32 KEPS - Z/P                  | 2    |
| 3     | 6338054     | VENT - ELBOW - SIEBE K72876             | 1    |
| 4     | 6238074     | "O" RING - .48IDX.10                    | 1    |
| 5     | 6238113     | VALVE MOUNTING PLATE AND STUD ASSEMBLY  | 1    |

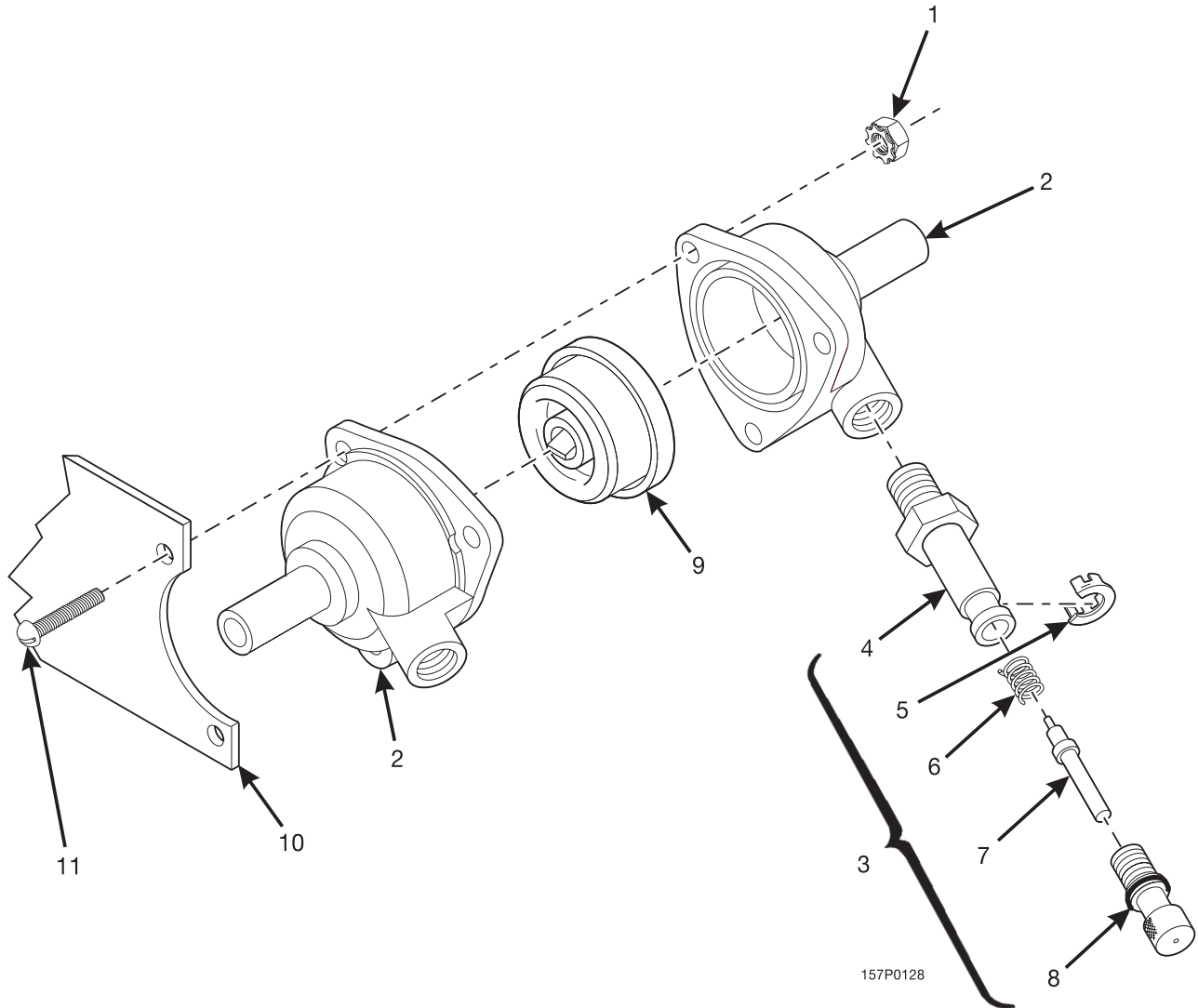


Figure 103. Bracket and Air Pressure Control Assembly





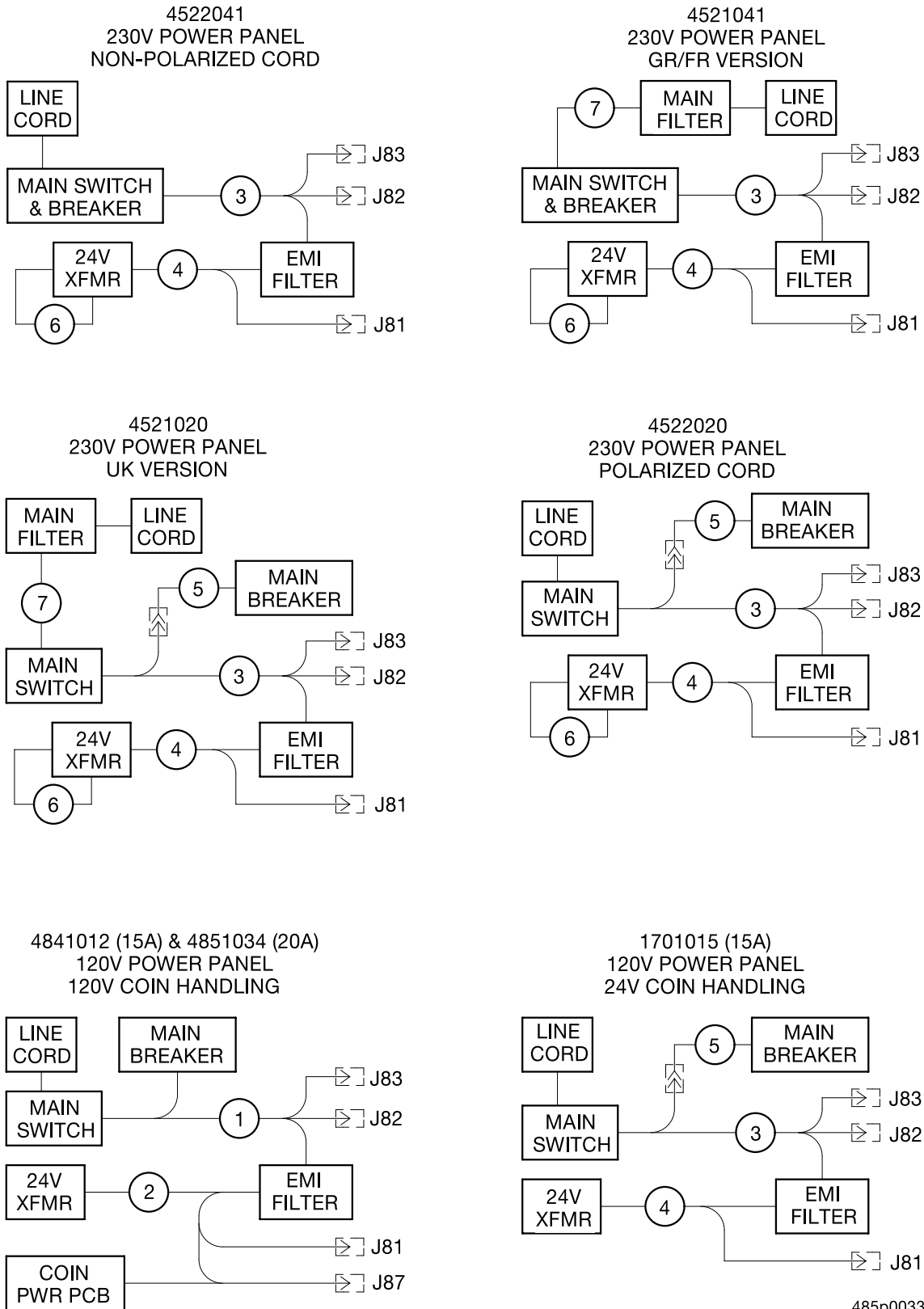
# Refreshment Center 3 Parts Manual

**TABLE 103. BRACKET AND AIR PRESSURE CONTROL ASSEMBLY**

| INDEX | PART NUMBER | DESCRIPTION                                     | QTY. |
|-------|-------------|---|------|
| -     | 4751073     | BRACKET AND CONTROL ASSEMBLY                    | -    |
| 1     | 9900081     | NUT #8-32 KEPS ZINC PLATE                       | 3    |
| 2     | 6154214     | BODY - REGULATOR                                | 2    |
| 3     | 6154284     | CONTROL ASSEMBLY (CONTAINS INDEX NUMBERS 4 - 8) | 1    |
| 4     | 6154288     | BODY - PRESSURE CONTROL                         | 1    |
| 5     | 6154285     | RETAINER - ADJUSTER                             | 1    |
| 6     | 6154286     | SPRING - PRESSURE CONTROL                       | 1    |
| 7     | 6154287     | PLUNGER - PRESSURE CONTROL                      | 1    |
| 8     | 6154289     | ADJUSTER ASSEMBLY (WITH "O" RING 6154232)       | 1    |
| 9     | 6338023     | DIAPHRAGM/DUCKBILL                              | 1    |
| 10    | 4751051     | BRACKET - MTG. - REGULATOR                      | 1    |
| 11    | 9900115     | SCREW #8-32 X 3/4 RHS                           | 3    |

**TABLE 104. POWER CORDS**

| PART NUMBER | DESCRIPTION                                    | USAGE         |
|-------------|--|---------------|
| 9989577     | POWER CORD - EURO PLUG - 230 VOLT APPLICATIONS | ARGENTINA     |
|             |  | BRAZIL        |
|             |  | SAUDI ARABIA  |
|             |  | LATIN AMERICA |
|             |  | CHINA         |
|             |  | FRANCE        |
|             |  | GERMANY       |
|             |  | SWEDEN        |
|             |  | LEBANON       |
|             |  | KUWAIT        |
|             |  | NEW CALEDONIA |
| 9989560     | POWER CORD - 230 VOLTS                         | AUSTRALIA     |
|             |  | NEW ZEALAND   |
| 9989576     | POWER CORD - W/BSI PLUG - 230 VOLTS            | UK            |
| 4731169     | POWER CORD ASSEMBLY - 115 VOLTS                | USA           |
|             |  | LATIN AMERICA |
|             |  | TAIWAN        |
|             |  | BRAZIL        |
|             |  | ISRAEL        |
|             |  | MEXICO        |
| 9989526     | LABEL - WARNING - POWER CORD - ENGLISH         | USA           |
| 9989583     | LABEL - WARNING - POWER CORD - MEXICO          | MEXICO        |



485p0033

Figure 105. Wiring Diagram - Power Panels



TABLE 105. WIRING DIAGRAM - POWER PANELS

| INDEX | PART NUMBER | DESCRIPTION                          |
|-------|-------------|--------------------------------------|
| 1     | 1579013     | HARNESS - POWER PANEL - DOMESTIC     |
| 2     | 1579017     | HARNESS - COIN HANDLING POWER        |
| 3     | 1709000     | HARNESS - POWER PANEL                |
| 4     | 1709001     | JUMPER - TRANSFORMER                 |
| 5     | 1709006     | JUMPER - MAIN SWITCH TO BREAKER      |
| 6     | 4279001     | JUMPER - 230 V TRANSFORMER - PRIMARY |
| 7     | 1709002     | JUMPER - MAIN LINE FILTER            |
| -     | 9989712     | JUMPER - EXEC MECH                   |

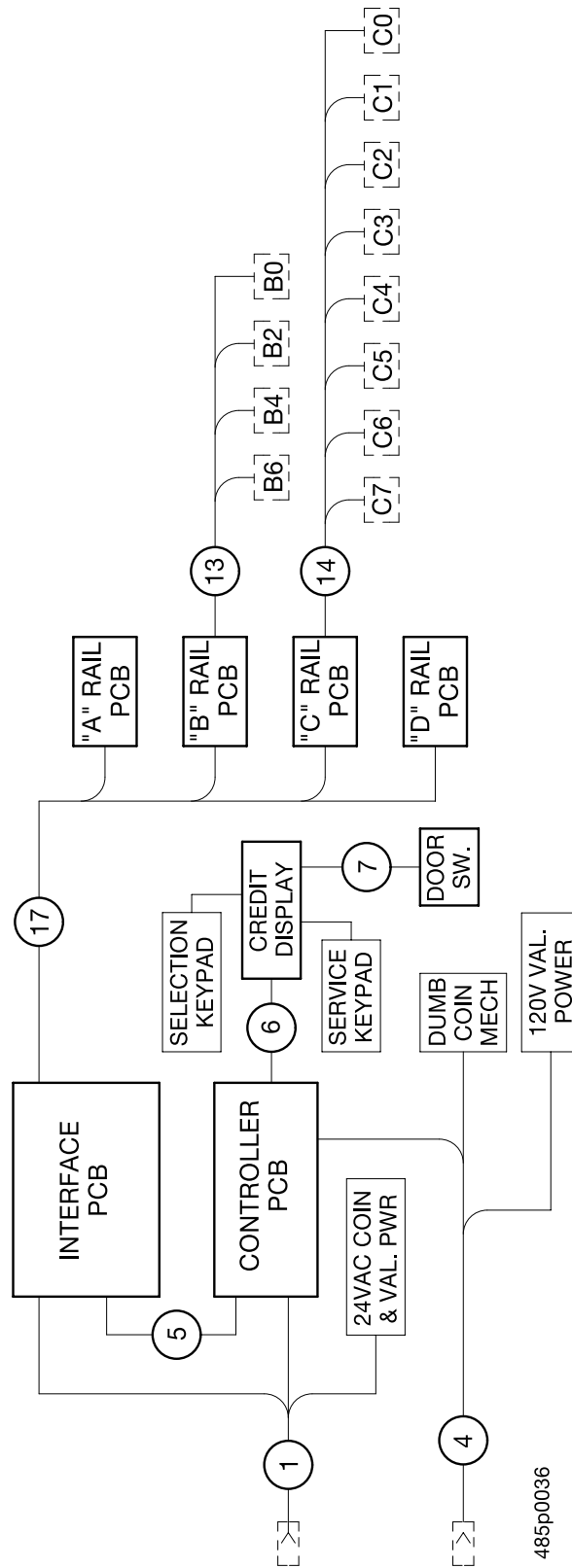


Figure 106. Wiring Diagram - 6-Tray Machine



**TABLE 106. WIRING DIAGRAM - 6-TRAY MACHINE**

| <b>INDEX</b> | <b>PART NUMBER</b> | <b>DESCRIPTION</b>                         |
|--------------|--------------------|--|
| 1            | 6339017            | HARNESS - 24 V POWER                       |
| 2            | 1579022            | HARNESS - POWER PANEL TO FLUORESCENT LIGHT |
| 3            | 1579021            | HARNESS - POWER PANEL TO EXHAUST FAN       |
| 4            | 1579003            | HARNESS - 120 V COIN HANDLING              |
| 5            | 1579008            | 16-CONDUCTOR RIBBON CABLE                  |
| 6            | 6339017            | CABLE - CONTROLLER TO DISPLAY              |
| 7            | 1579009            | JUMPER - DISPLAY TO DOOR SWITCH            |
| 8            | 1709015            | HARNESS - FLUORESCENT LIGHT ASSEMBLY       |
| 9            | 1599009            | HARNESS - 6 TRAY CHANNEL                   |
| 10           | 1579024            | PCB TO GUM AND MINT ASSEMBLY               |
| 11           | 1579024            | HARNESS - GUM AND MINT MOTORS              |
| 12           | 1599016            | HARNESS - 4 MOTOR TRAY                     |
| 13           | 1599017            | HARNESS - 5 MOTOR TRAY                     |
| 14           | 1599018            | HARNESS - 8 MOTOR TRAY                     |
| 15           | 1599019            | HARNESS - 10 MOTOR TRAY                    |
| 16           | 1451124            | 120 V FLUORESCENT LIGHT FILTER             |
|              | 6332010            | 230 V FLUORESCENT LIGHT FILTER             |

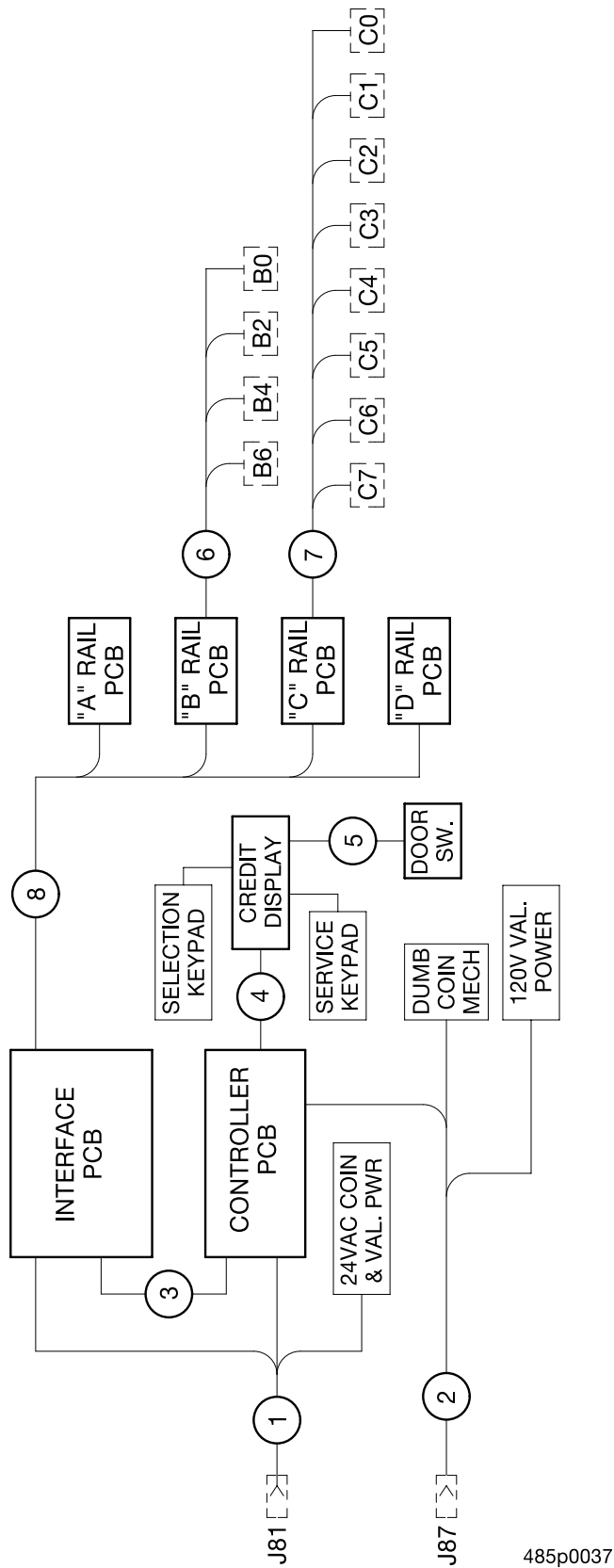


Figure 107. Wiring Diagram - 3-Tray Machine

485p0037



**TABLE 107. WIRING DIAGRAM - 3-TRAY MACHINE**

| <b>INDEX</b> | <b>PART NUMBER</b> | <b>DESCRIPTION</b>              |
|--------------|--------------------|---------------------------------|
| 1            | 6339017            | HARNESS - 24 V POWER            |
| 2            | 1579003            | HARNESS - 120 V COIN HANDLING   |
| 3            | 1579008            | 16-CONDUCTOR RIBBON CABLE       |
| 4            | 6339017            | CABLE - CONTROLLER TO DISPLAY   |
| 5            | 1579009            | JUMPER - DISPLAY TO DOOR SWITCH |
| 6            | 1599017            | HARNESS - 5 MOTOR TRAY          |
| 7            | 1599018            | HARNESS - 8 MOTOR TRAY          |
| 8            | 1599010            | HARNESS - 3 TRAY CHANNEL        |

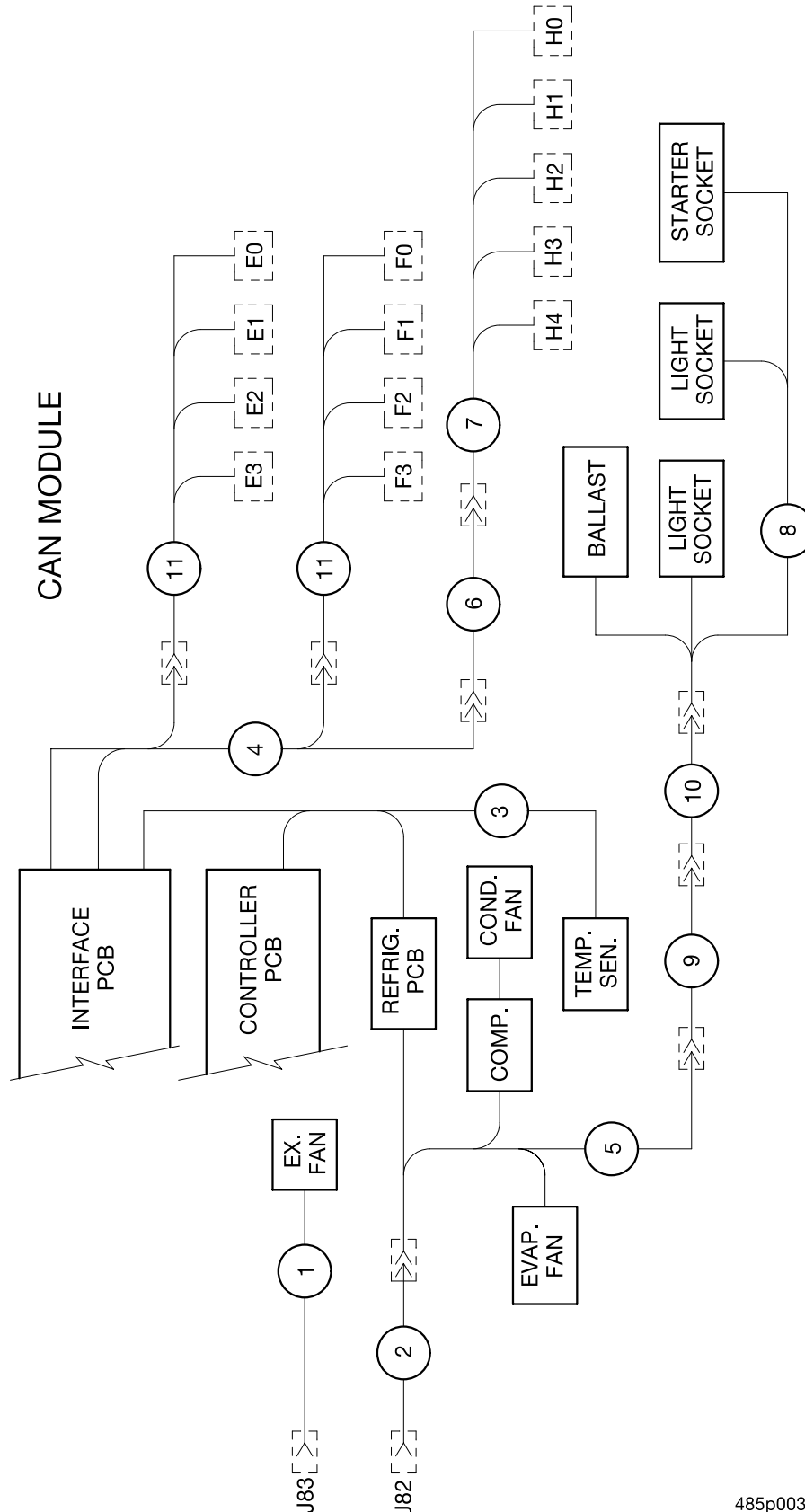


Figure 108. Wiring Diagram - Can Module

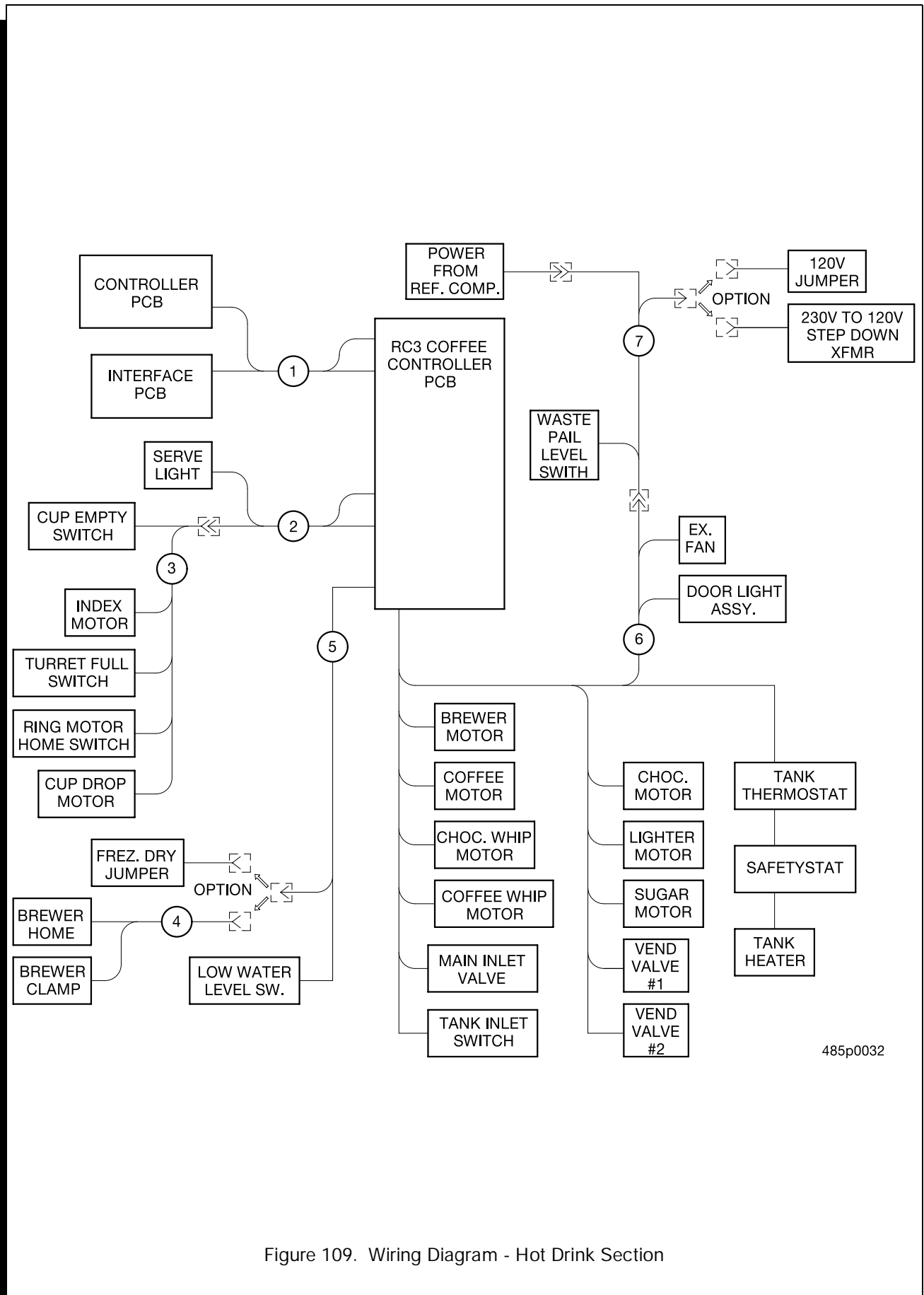
485p0031





**TABLE 108. WIRING DIAGRAM - CAN MODULE**

| <b>INDEX</b> | <b>PART NUMBER</b> | <b>DESCRIPTION</b>                   |
|--------------|--------------------|--------------------------------------|
| 1            | 1579021            | HARNESS - POWER PANEL TO EXHAUST FAN |
| 2            | 4849002            | HARNESS - POWER TO COMPRESSOR        |
| 3            | 4849020            | HARNESS - PCB TO CAN COMPRESSOR      |
| 4            | 4974023            | HARNESS - CAN MODULE TO PCB          |
| 5            | 4859002            | HARNESS - COMPRESSOR                 |
| 6            | 4849004            | JUMPER - GUM AND MINT TO CAN         |
| 7            | 1579012            | HARNESS - GUM AND MINT MOTORS        |
| 8            | 1709015            | HARNESS - FLUORESCENT LIGHT ASSEMBLY |
| 9            | 4849003            | JUMPER - COMPRESSOR TO DOOR LIGHT    |
| 10           | 1451124            | FLUORESCENT LIGHT FILTER - 120 V     |
|              | 6332010            | FLUORESCENT LIGHT FILTER - 230 V     |
| 11           | 4849028            | HARNESS - CAN MODULE MOTORS          |



485p0032

Figure 109. Wiring Diagram - Hot Drink Section



**TABLE 109. WIRING DIAGRAM - HOT DRINK SECTION**

| <b>INDEX</b> | <b>PART NUMBER</b> | <b>DESCRIPTION</b>                  |
|--------------|--------------------|-------------------------------------|
| 1            | 4859002            | HARNESS - COMM. AND D.C. POWER      |
| 2            | 4859001            | HARNESS - PCB TO CUP MECHANISM      |
| 3            | 4733039            | HARNESS - CUP MECHANISM             |
| 4            | 4731096            | HARNESS - BREWER POSITION SWITCHES  |
| 5            | 4859003            | HARNESS - PCB TO BREWER             |
| 6            | 4859000            | HARNESS - CABINET A.C.              |
| 7            | 4859005            | HARNESS - A.C. POWER AND WASTE PAIL |

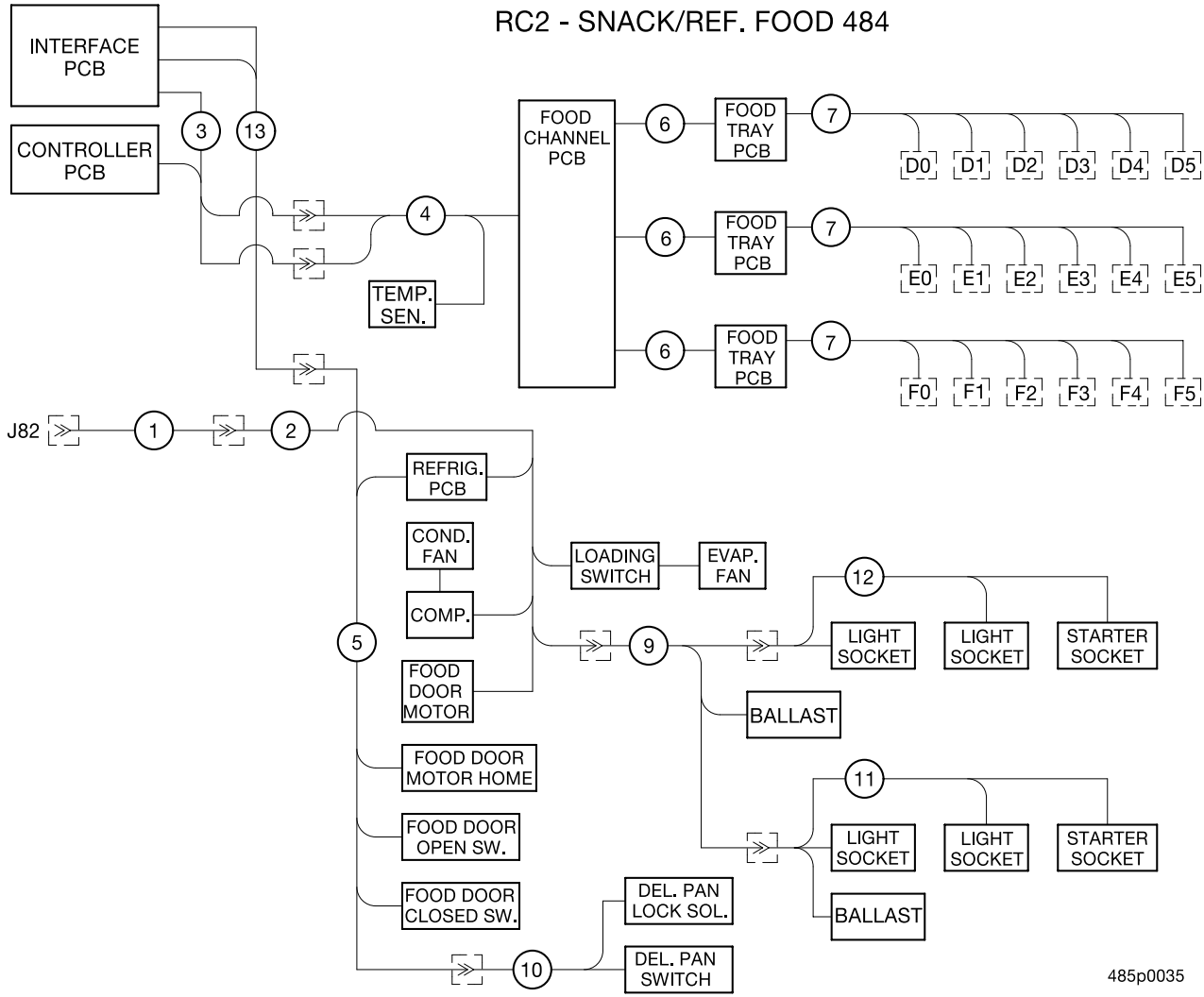


Figure 110. Wiring Diagram - Snack With Refrigerated Food Module

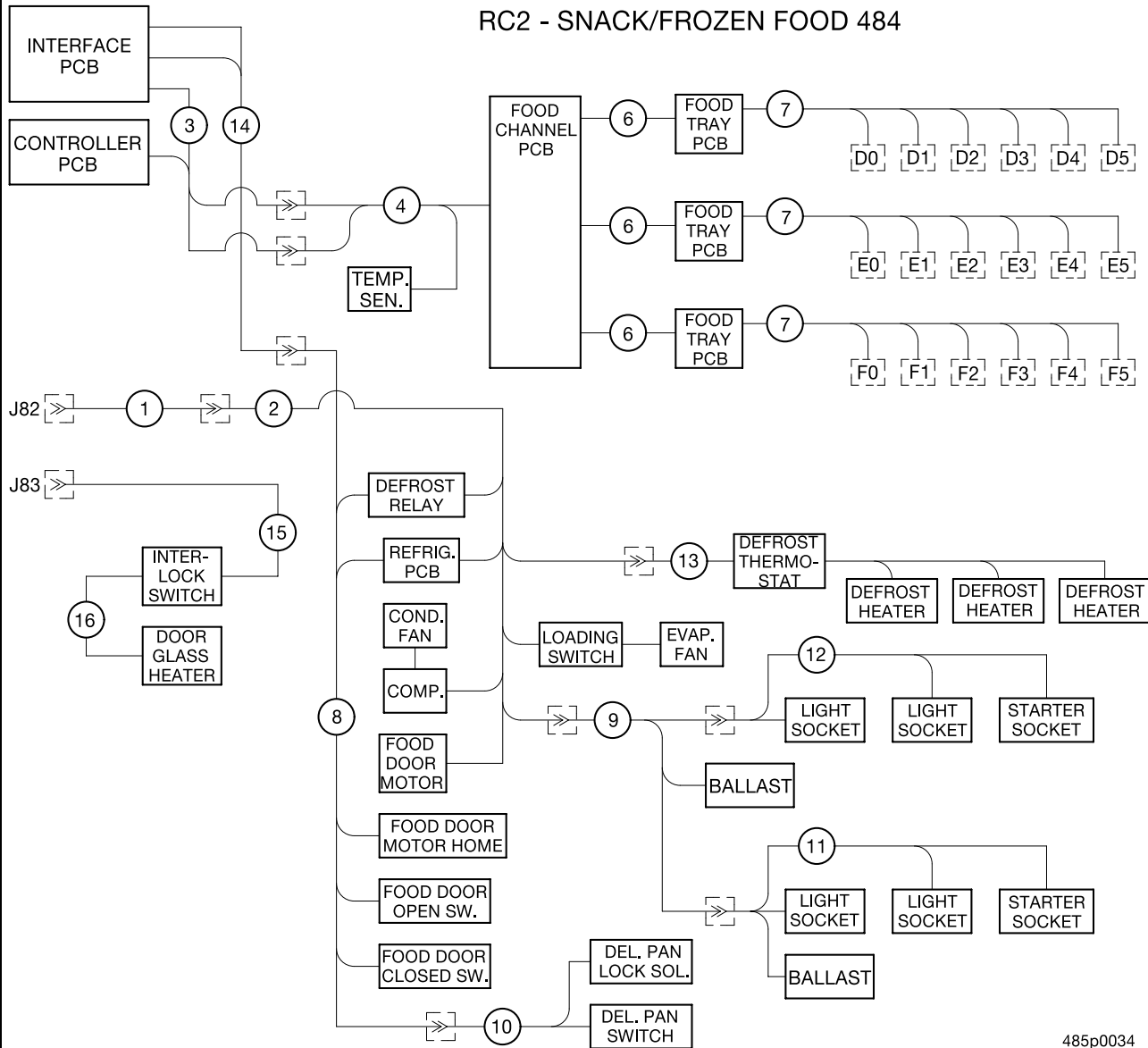


**TABLE 110. WIRING DIAGRAM - SNACK WITH REFRIGERATED FOOD MODULE**

| <b>INDEX</b> | <b>PART NUMBER</b> | <b>DESCRIPTION</b>                   |
|--------------|--------------------|--------------------------------------|
| 1            | 4849002            | HARNESS - POWER TO COMPRESSOR        |
| 2            | 4849022            | HARNESS - FOOD MODULE A.C.           |
| 3            | 4849014            | HARNESS - PCB TO FOOD CHANNEL        |
| 4            | 4407009            | JUMPER - CHANNEL PCB TO CABINET      |
| 5            | 4979008            | HARNESS - FOOD MODULE D.C.           |
| 6            | 4402010            | FLEX CABLE - FOOD MODULE             |
| 7            | 4407501            | HARNESS - 6 MOTOR FOOD MODULE TRAY   |
| 8            | 4849023            | HARNESS - FROZEN FOOD A.C.           |
| 9            | 4979009            | HARNESS - COMPRESSOR TO DOOR LIGHTS  |
| 10           | 4849027            | HARNESS - DELIVERY PAN LOCK ASSEMBLY |
| 11           | 1709015            | HARNESS - DOOR LIGHT                 |
| 12           | 4849008            | HARNESS - SIDE LIGHT ASSEMBLY        |
| 13           | 4979007            | HARNESS - PCB TO FOOD MODULE D.C.    |



## RC2 - SNACK/FROZEN FOOD 484



485p0034

Figure 111. Wiring Diagram - Snack With Frozen Food Module



**TABLE 111. WIRING DIAGRAM - SNACK WITH FROZEN FOOD MODULE**

| <b>INDEX</b> | <b>PART NUMBER</b> | <b>DESCRIPTION</b>                   |
|--------------|--------------------|--------------------------------------|
| 1            | 4849002            | HARNESS - POWER TO COMPRESSOR        |
| 2            | 4849022            | HARNESS - FOOD MODULE A.C.           |
| 3            | 4849014            | HARNESS - PCB TO FOOD CHANNEL        |
| 4            | 4407009            | JUMPER - CHANNEL PCB TO CABINET      |
| 5            | 4979008            | HARNESS - FOOD MODULE D.C.           |
| 6            | 4402010            | FLEX CABLE - FOOD MODULE             |
| 7            | 4407501            | HARNESS - 6 MOTOR FOOD MODULE TRAY   |
| 8            | 4849023            | HARNESS - FROZEN FOOD A.C.           |
| 9            | 4979009            | HARNESS - COMPRESSOR TO DOOR LIGHTS  |
| 10           | 4849027            | HARNESS - DELIVERY PAN LOCK ASSEMBLY |
| 11           | 1709015            | HARNESS - DOOR LIGHT                 |
| 12           | 4849008            | HARNESS - SIDE LIGHT ASSEMBLY        |
| 13           | 4979007            | HARNESS - PCB TO FOOD MODULE D.C.    |
| 14           | 4979002            | HARNESS - 4 MOTOR EXP. FOOD TRAY     |
| 15           | 1579010            | JUMPER - 120 V INTERLOCK SWITCH      |
| 16           | 484906             | HARNESS - POWER TO DOOR GLASS HEATER |



**TABLE 112. TUBING**

| PART NUMBER | DESCRIPTION                               |
|-------------|---|
| 3106026     | PLASTIC TUBING - 5/8 O D X 7/16           |
| 3106026     | PLASTIC TUBING - 5/8 O D X 7/16 (786)     |
| 3108052     | TUBING - PLASTIC - 5/8 OD X 3/8 ID (785)  |
| 3128041     | TUBING - PLASTIC - .750D X .50ID (785)    |
| 3618020     | TUBING - PLASTIC - 1.125 OD X 0.875 (785) |
| 3618020     | TUBING - PLASTIC - 1.125 OD X .875        |
| 3618105     | TUBING - U.K. - SILICONE - .375 X.562     |
| 4731173     | TUBE - CABINET TO STRAINER                |
| 4744535     | TUBE - DRAIN                              |
| 4761025     | HOSE - EXHAUST - 43 IN (786)              |
| 6118106     | TUBING - PLASTIC - 1/4 OD X 1/8 ID        |
| 6134197     | TUBE - AIR JET (785)                      |
| 6137109     | HOSE - EXHAUST - 8 FT                     |
| 6157083     | TUBE - DISPENSING (785)                   |
| 6197013     | HOSE - EXHAUST - 28.0 IN (785)            |
| 6208037     | TUBING - SILICONE - .250 IDX.437          |
| 6238014     | TUBE - DRAIN - WATER TANK                 |
| 6338021     | TUBING - SILICONE - .375 IDX.562          |
| 6408208     | TUBE - SILICONE - .875 I.D.X 1.063        |
| 6508075     | TUBE - OVERFLOW - WATER TANK              |

**TABLE 113. MONEY BOX LOCK ACCESSORY**

| PART NUMBER | DESCRIPTION                                  | QTY. |
|-------------|--|------|
| 1101906     | MONEY BOX LOCK #1801, KA NV407 (NOT SHOWN)   | 1    |
| 2221920     | KEY - CHICAGO LOCK #1801, NV 407 (NOT SHOWN) | 1    |
| 2222603     | NUT - LOCK RETAINING (NOT SHOWN)             | 1    |
| 2222604     | WASHER - LOCK BARREL - #2693 (NOT SHOWN)     | 1    |





TABLE 114. ACCESSORIES (DOOR LOCK GUARD)

| INDEX | PART NUMBER | DESCRIPTION                 | QTY. |
|-------|-------------|-----------------------------|------|
| 1     | 2222031     | TEE BOLT - TRIM             | 4    |
| 2     | 1572186     | DOOR LOCK GUARD             | 1    |
| 3     | 9900081     | NUT - #8-32 KEPS ZINC PLATE | 4    |

Note: Holes must be drilled to install this accessory. Instructions include drilling template.

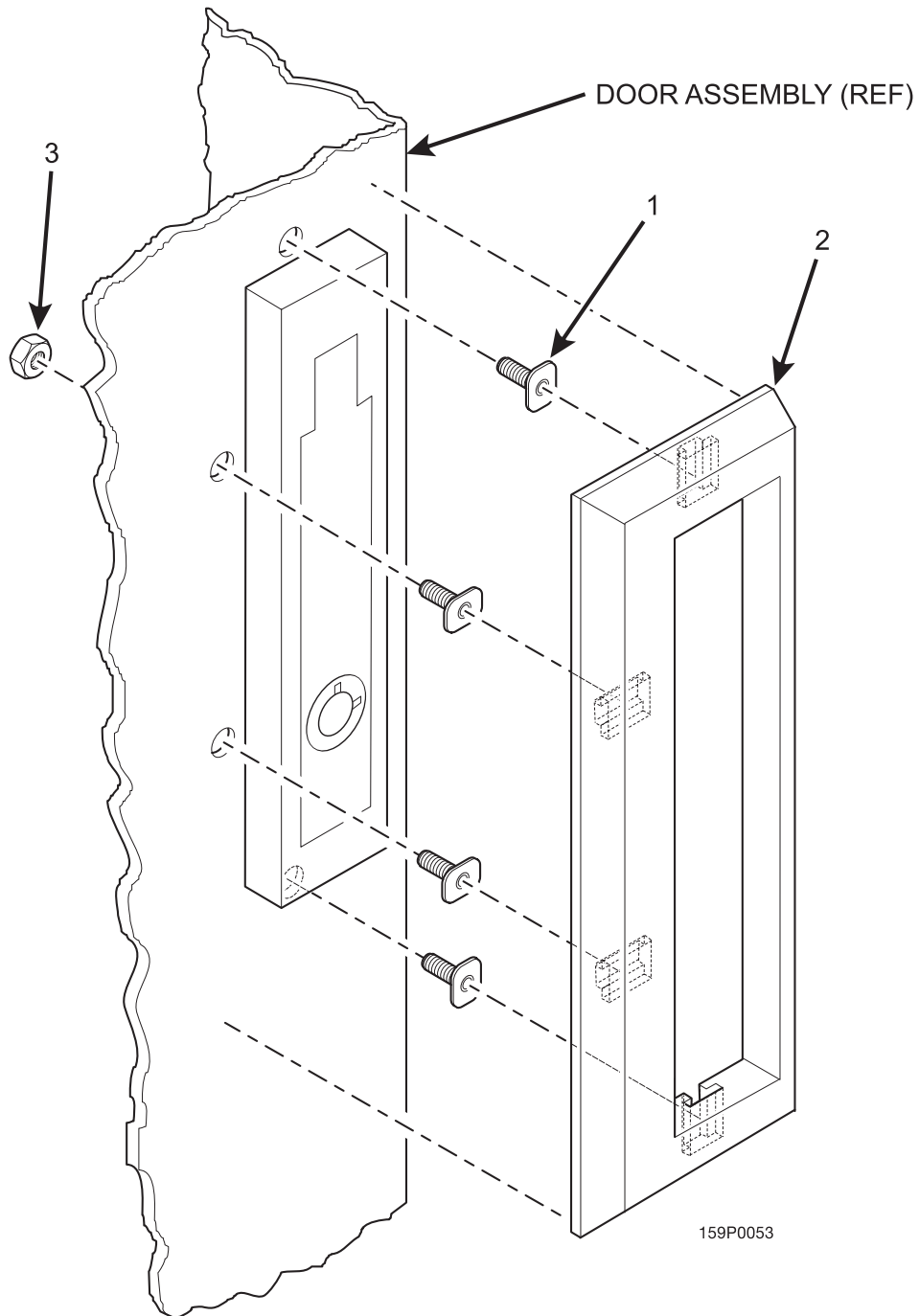


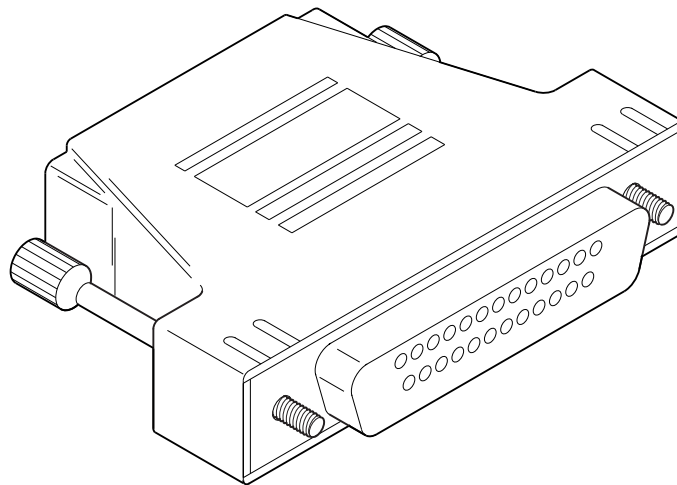
Figure 114. Accessories (Door Lock Guard)



**1579018  
RS232 PRINTER INTERFACE HARNESS**



**9984516  
FEMALE MODULAR ADAPTER**



**1579019  
DEX PRINTER INTERFACE HARNESS**



**1709018  
TRAY EXTENSION HARNESS**

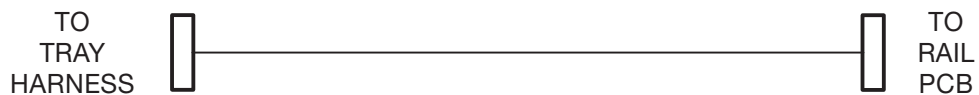


Figure 115. Accessories (Harnesses)