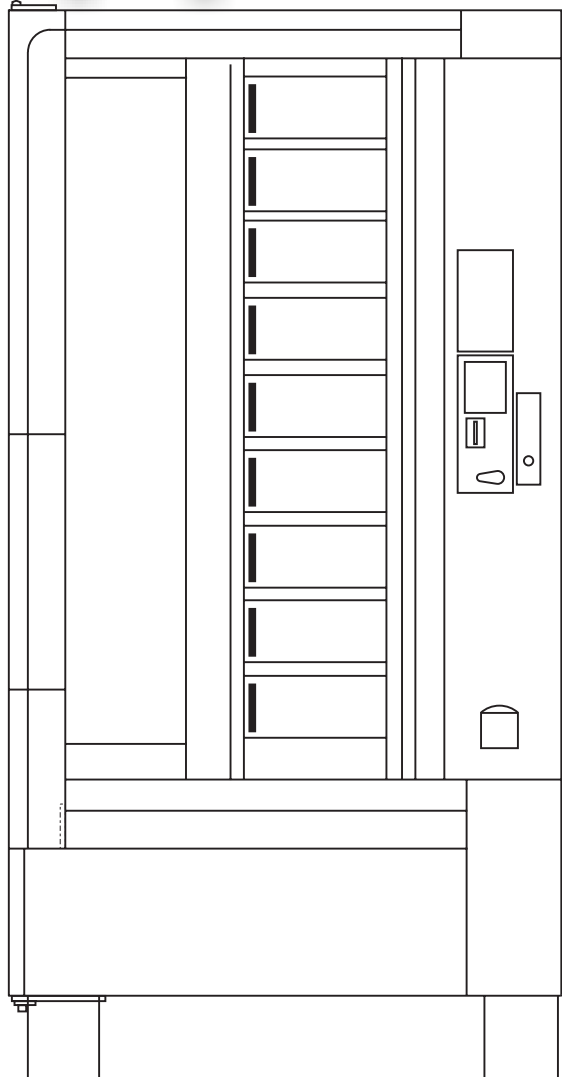


Model 431

Shoppertron



PARTS MANUAL

CRANE NATIONAL VENDORS

12955 Enterprise Way
Bridgeton, Missouri 63044-1200
(314) 298-3500

www.nationalvendors.com

Copyright© 01-01

4310103

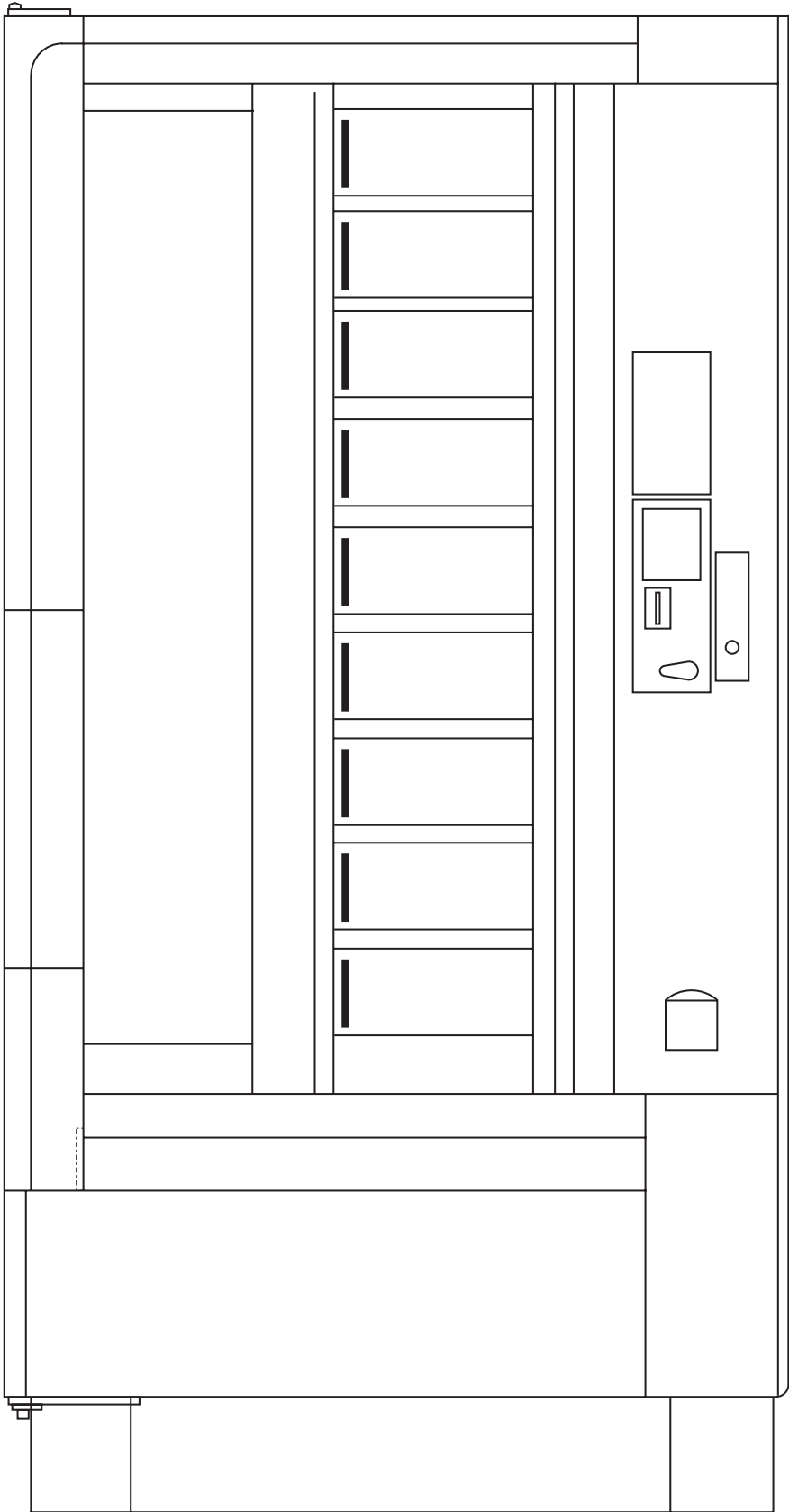
List of Figures

Figure	Title	Page
1.	Standard Trim	2
2.	Door (Part 1).....	6
3.	Door (Part 2).....	8
4.	Door (Part 3).....	10
5.	Door (Part 4).....	12
6.	Door (Part 5).....	14
7.	Door (Part 6).....	16
8.	Door (Part 7).....	18
9.	Door (Part 8).....	20
10.	Door (Part 9).....	22
11.	Door (Part 10).....	24
12.	Monetary Door - Part 1.....	26
13.	Monetary Door Electronics Assembly.....	28
14.	Instruction Inserts - Upper.....	30
15.	Instruction Inserts - Lower.....	32
18.	Monetary Compartment.....	34
19.	Monetary Compartment Latch and Plate Assembly.....	36
20.	Light Assembly - Right Side.....	38
21.	Light Assembly - Left Side.....	40
22.	Duct - Blower Assembly.....	42
23.	Lower Door Electrical Assembly.....	44
24.	Scavenger Assembly.....	46
25.	Lift Handle Lock Assembly.....	48
26.	Upper Hinge Assembly.....	50
27.	Lower Hinge Assembly.....	52
28.	Cabinet Assembly (Part 1).....	54
29.	Cabinet Assembly (Part 2).....	56
30.	Drum Assembly (Part 1.....	58
31.	Drum Assembly (Part 2).....	60
32.	Cabinet Assembly (Part 3).....	62
33.	Stop Pin / Solenoid Assembly.....	64
34.	Drive Motor Assembly.....	66
35.	Cabinet Assembly (Part 4).....	68
36.	Power Panel Assembly - 115 V.....	70
37.	Power Panel Assembly - U.K.....	72
38.	Power Panel Assembly - 230 V.....	74
39.	Base Plate Accessory.....	76
41.	Wire Harnesses.....	78

List of Tables

Table	Title	Page
1.	Standard Trim	3
2.	Door (Part 1).....	7
3.	Door (Part 2).....	9
4.	Door (Part 3).....	11
5.	Door (Part 4).....	13
6.	Door (Part 5).....	15
7.	Door (Part 6).....	17
8.	Door (Part 7).....	19
9.	Door (Part 8).....	21
10.	Door (Part 9).....	23
11.	Door (Part 10).....	25
12.	Monetary Door - Part 1.....	27
13.	Monetary Door Electronics Assembly.....	29
16.	Validator Options.....	33
17.	Card Reader Options.....	33
18.	Monetary Compartment.....	35
19.	Monetary Compartment Latch and Plate Assembly.....	37
20.	Light Assembly - Right Side	39
21.	Light Assembly - Left Side.....	41
22.	Duct - Blower Assembly	43
23.	Lower Door Electrical Assembly	45
24.	Scavenger Assembly.....	47
25.	Lift Handle Lock Assembly.....	49
26.	Upper Hinge Assembly.....	51
27.	Lower Hinge Assembly	53
28.	Cabinet Assembly (Part 1).....	55
29.	Cabinet Assembly (Part 2).....	57
30.	Drum Assembly (Part 1	59
31.	Drum Assembly (Part 2).....	61
32.	Cabinet Assembly (Part 3).....	63
33.	Stop Pin / Solenoid Assembly	65
34.	Drive Motor Assembly	67
35.	Cabinet Assembly (Part 4).....	69
36.	Power Panel Assembly - 115 V.....	71
37.	Power Panel Assembly - U.K.	73
38.	Power Panel Assembly - 230 V	75
39.	Base Plate Accessory.....	77
40.	Refrigeration Components.....	77
42.	wire harnesses.....	79
43.	Bag Assembly B4310000 - US.....	81
44.	Bag Assembly B4310005 - New Zealand	81
45.	Bag Assembly B4310008 - Navy - 220 V	81
46.	Bag Assembly B4310002 - France	81
47.	Bag Assembly B4310003 - Germany	82
48.	Bag Assembly B4310001 - Sweden	82

Table	Title	Page
49.	Bag Assembly B4310004 - Argentina.....	82
50.	Bag Assembly B4310006 - Brazil.....	82
51.	Bag Assembly B4310007 - Saudi Arabia.....	82



431p0074

Shoppertron Model 431

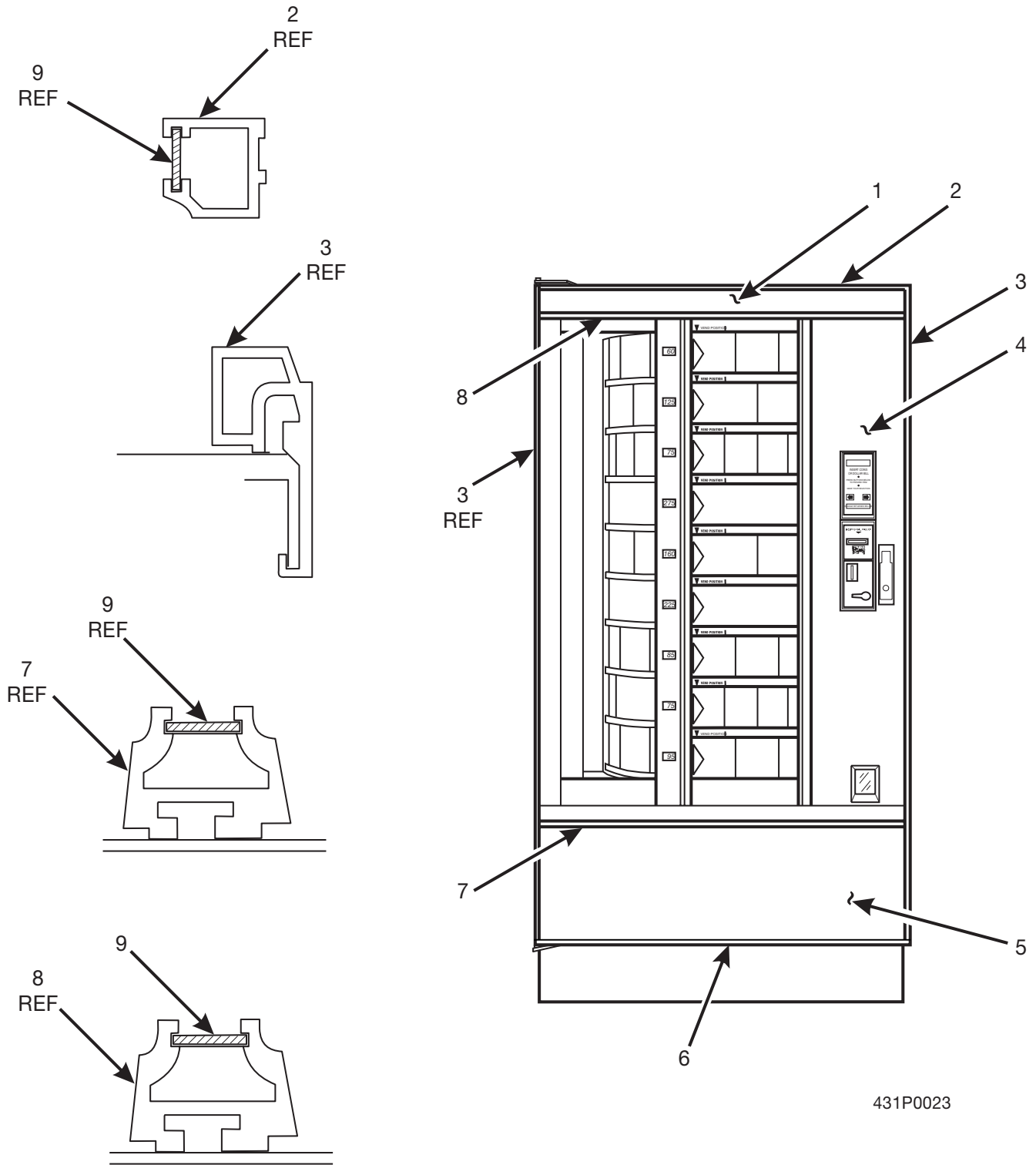


Figure 1. Standard Trim

TABLE 1. STANDARD TRIM

INDEX	PART NUMBER	DESCRIPTION	QTY
1	-	TOP PANEL (SEE TABLE 1B)	1
2	-	TOP TRIM (SEE TABLE 1A)	1
3	-	SIDE TRIM (SEE TABLE 1A)	2
4	-	MONETARY PANEL (SEE TABLE 1C)	1
5	-	BOTTOM PANEL (SEE TABLE 1D)	1
6	6232099	EDGE PROTECTOR - BOTTOM	1
7	-	HORIZONTAL TRIM (BOTTOM) (SEE TABLE 1A)	1
8	-	HORIZONTAL TRIM (TOP) (SEE TABLE 1A)	1
9	1302479	TRIM INSERT - BLACK	3

TABLE 1A. TRIM COMPONENT BY STYLE

INDEX	TRIM COMPONENT PART NUMBERS BY STYLE	
	IMPERIAL CROWN	SIGNATURE SERIES
2	4602124	4302115
3	4302274	4302272
7	1302476	1302478
8	4302121	4302121
	CAN-CAN	ARA
2	4302124	4302280
		4302281
		4302282
3	4302272	4302274
7	1302478	1302478
8	4302121	4302121

**TABLE 1B. TRIM PANEL AVAILABILITY
TOP TRIM PANEL (INDEX # 1)**

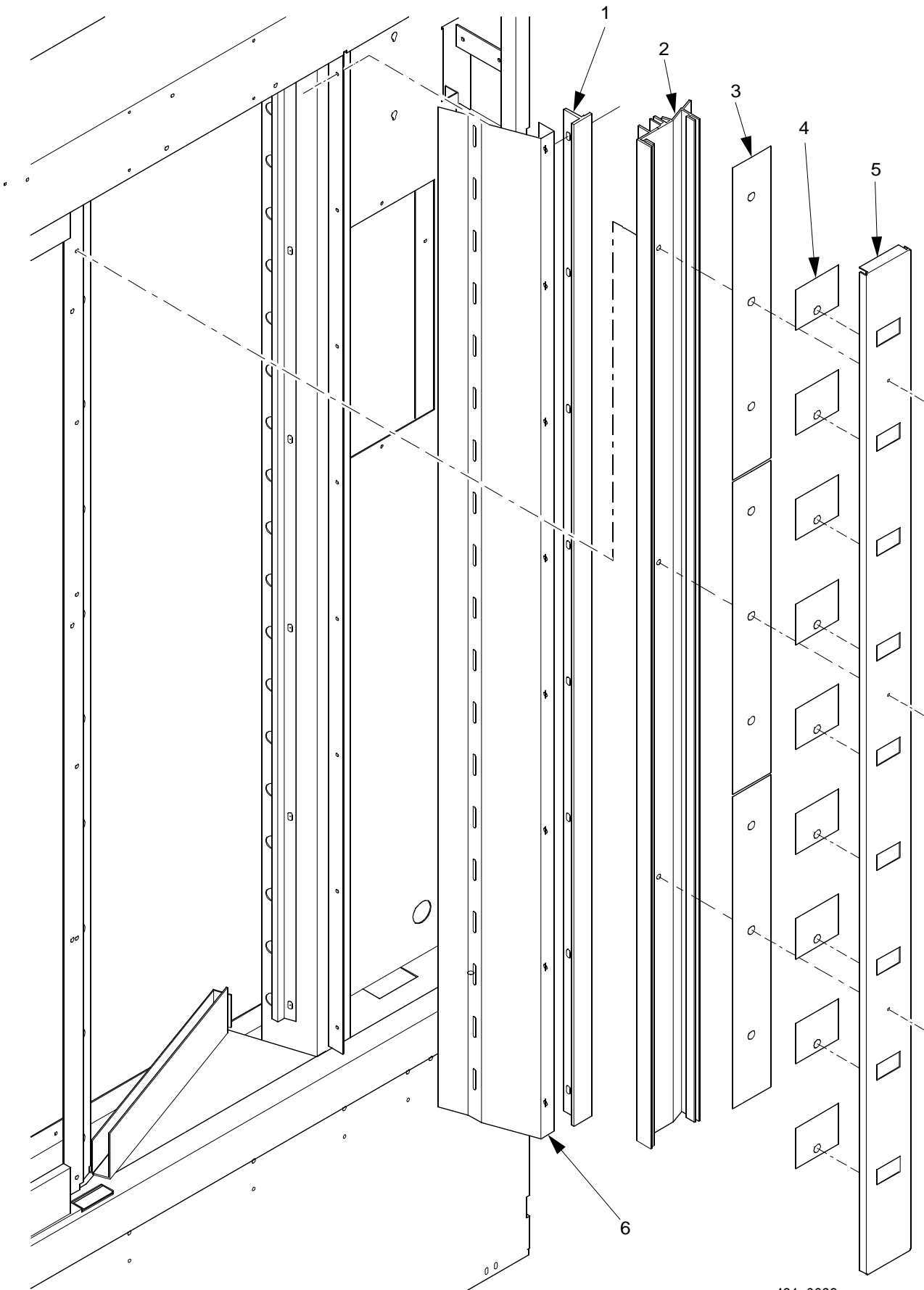
PART NUMBER	DESCRIPTION
4302373	BISON BLACK
1452225	BLACK HAIRCELL
4302285	CHES. LEATHER
4302288	COMP OAK
4302284	DOVE GREY
4302283	KASHMIR WAL
4302287	MAROON
4302415	MOROCCO GREY
1572128	NU WHITE
4302290	PEWTER
4302286	PLATINUM GREY
6232224	SLATE
3152447	STERLING
3152573	WHITE HAIRCELL

**TABLE 1C. TRIM PANEL AVAILABILITY
MONETARY TRIM PANEL (INDEX # 4)**

PART NUMBER	DESCRIPTION
4305100	NU WHITE
4305074	VINYL SPECIAL
4305101	WHITE HAIRCELL
4305144	BISON
4305138	BLACK PICA
4305142	GRENADA WHITE
4605010	MOROCCO
4305113	DEBIT READER - NO COIN - STERLING
4305140	DEBIT READER - NO COIN - BLACK PICA
4305145	PEWTER
4305084	MARS READER - WHITE VINYL
4305052	STERLING
4305112	DEBIT READER - WITH COIN - STERLING
4305141	DEBIT READER - WITH COIN - BLACK PICA
4315022	DEBIT READER - WITH COIN - MOROCCO
4315025	DEBIT READER - NO COIN - MOROCCO
4312116	DEBIT READER - NO COIN - BISON
4315032	TRIM PANEL - MONETARY DOOR - MILLENNIA - STD
4315044	TRIM PANEL - DEBIT READER - NO COIN - MILLENNIA
4314043	TRIM PANEL - DEBIT READER - FOR COIN
4315040	TRIM - MONETARY - "N" - DEBITEK COIN - MILLENNIA
4312117	TRIM PANEL - MONETARY - BISON - DEBIT - WITH COIN

**TABLE 1D. TRIM PANEL AVAILABILITY
BOTTOM TRIM PANEL (INDEX # 5)**

PART NUMBER	DESCRIPTION
1572104	BISON BLACK
1572107	BLACK PICA
1572110	BLACK HAIRCELL
1572113	CHES. LEATHER
1572116	COMP. OAK
1572119	DOVE GREY
1572124	ENAMELED
1572127	FORMICA SPECIAL
4312049	GRENADA WHITE
1572134	KASHMIR WALNUT
1572137	MAROON
4312048	MOROCCO GREY
1572131	NU WHITE
1572142	PEWTER
1572145	PLATINUM GREY
1572150	PRESIDENTIAL WALNUT
1572153	SLATE
4312028	STAINLESS
1572102	STERLING
1572158	TEAK
1572161	VINYL SPECIAL
1572164	WHITE HAIRCELL
4312033	WHITE VINYL



431p0083

Figure 2. Door (Part 1)

TABLE 2. DOOR (PART 1)

INDEX	PART NUMBER	DESCRIPTION	QTY
1	4302109	TRIM - MONETARY	1
2	4302236	POST - CENTER - DOOR	1
3	4316011	PCB ASSEMBLY - PRICE DISPLAY	3
4	4302275	LENS - PRICE	9
5	4302129	COVER ASSEMBLY - P.C.BOARD	1
6	4312144	COVER - DUCT	1

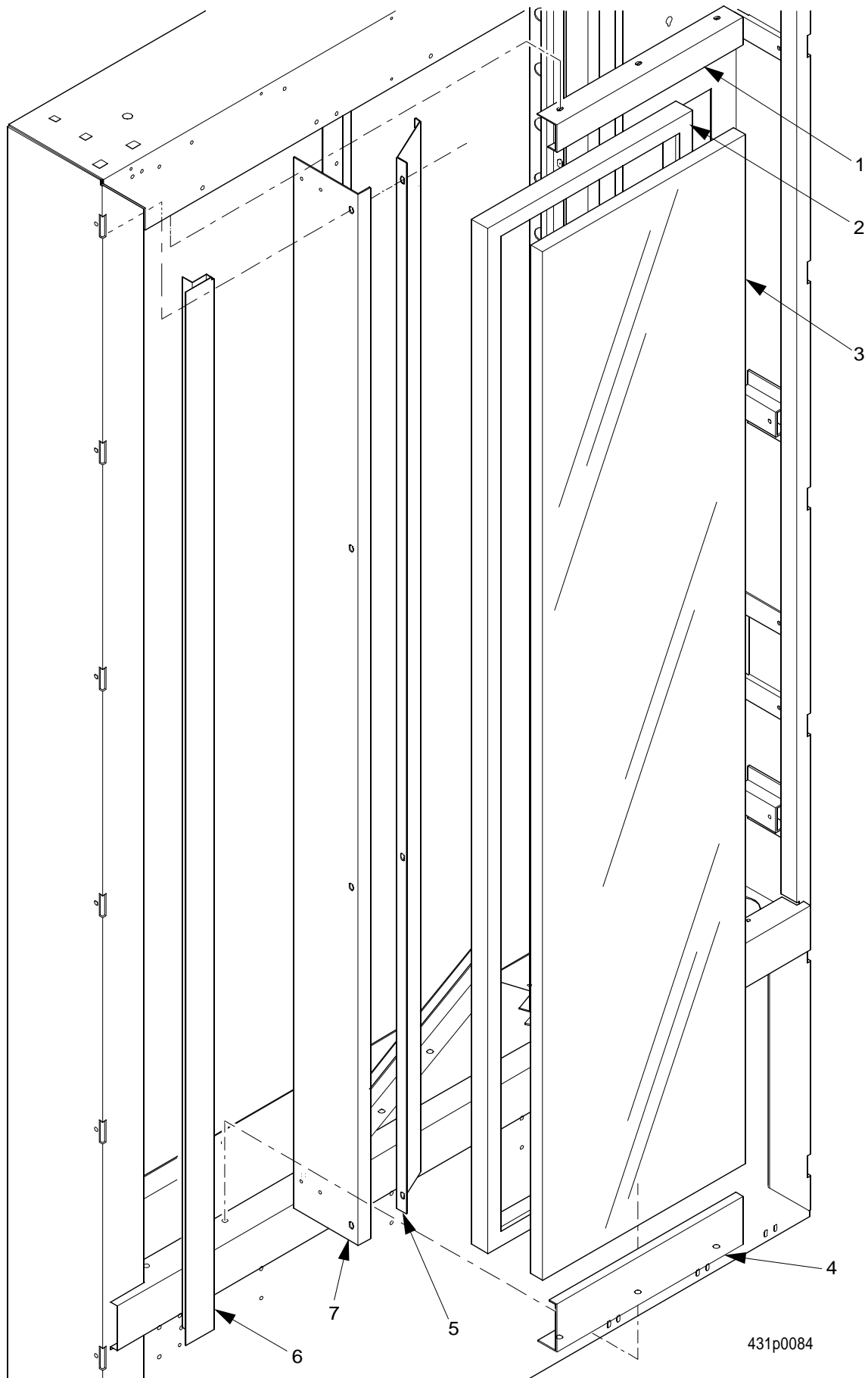


Figure 3. Door (Part 2)

TABLE 3. DOOR (PART 2)

INDEX	PART NUMBER	DESCRIPTION	QTY
1	4302078	RETAINER - GLASS - TOP	1
2	4312081	GASKET - DOOR GLASS - .62	1
3	4312080	GLASS ASSY - INSUL - .62 A.O.LOW E RFQ97 - 001, FOB DLVD, 2% 10N30	1
4	4302079	RETAINER - GLASS - BOTTOM	1
5	4312132	SHIELD - LIGHT - WHITE	1
6	4302119	TRIM - DOOR - LEFT	1
7	4312130	BRACKET - LIGHT - WHITE	1

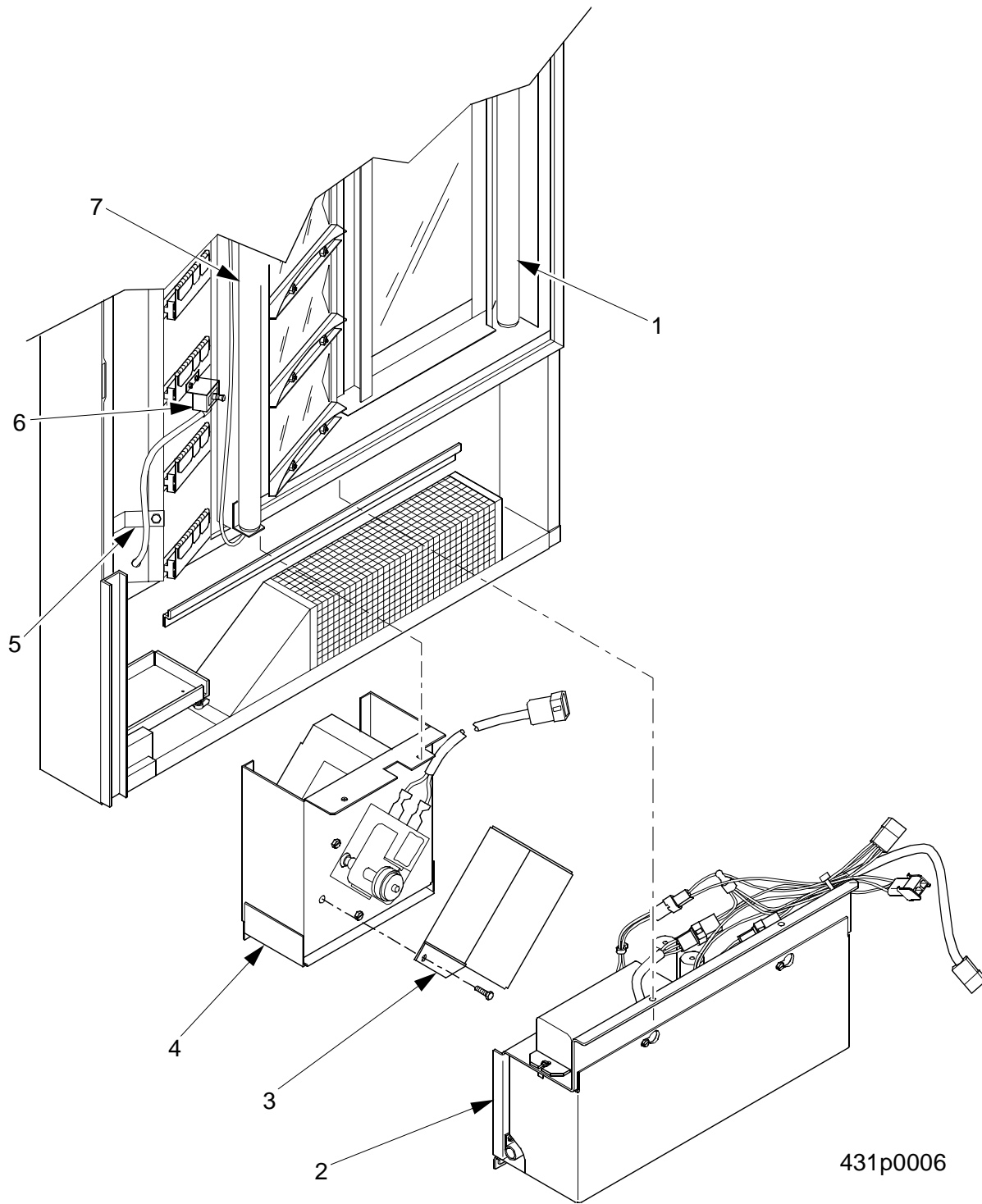
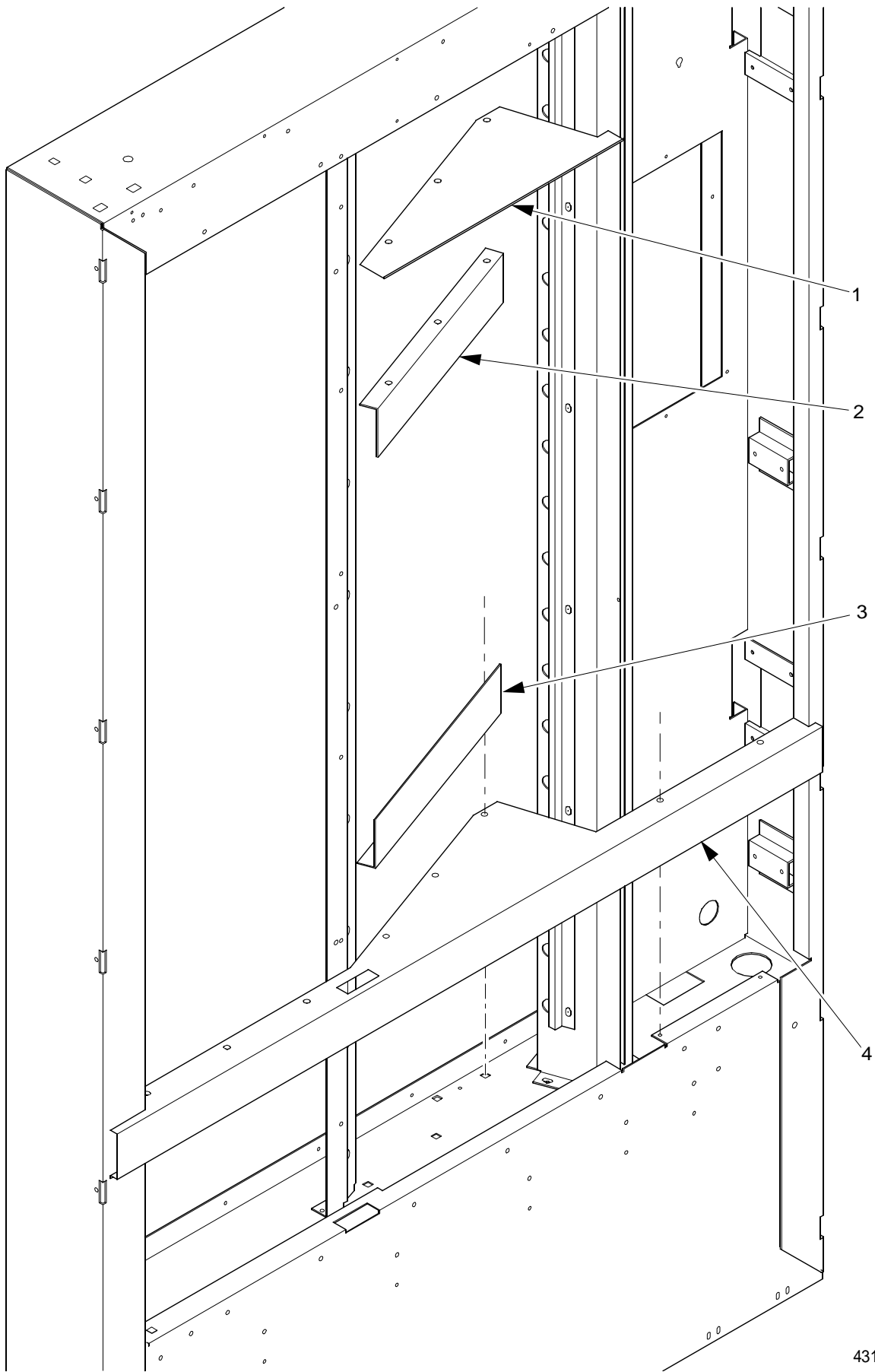


Figure 4. Door (Part 3)

TABLE 4. DOOR (PART 3)

INDEX	PART NUMBER	DESCRIPTION	QTY
1	4302187X	LIGHT ASSY - LEFT SIDE - 115V - WHITE (SEE FIGURE 21)	1
	4302398X	LIGHT ASSY - LEFT SIDE - 115V - BLACK (SEE FIGURE 21)	
	4302642	LIGHT ASSY - LEFT SIDE - 230V - WHITE (SEE FIGURE 21)	
	4302569	LIGHT ASSY - LEFT SIDE - 230V - BLACK (SEE FIGURE 21)	
2	4311095	LOWER DOOR - ELECTRICAL ASSY - 230V (SEE FIGURE 23)	1
	4311139	LOWER DOOR - ELECTRICAL ASSY - 115V (SEE FIGURE 23)	
3	4312055	COVER - BLOWER MOTOR	1
4	4312010	DUCT - BLOWER ASSEMBLY - 115V (SEE FIGURE 22)	1
	4312050	DUCT - BLOWER ASSEMBLY - 230V (SEE FIGURE 22)	
5	4312009	BRACKET - TURRET SWITCH	1
6	4312072	LIGHT ASSEMBLY - RIGHT SIDE - WHITE (SEE FIGURE 20)	1
	4312078	LIGHT ASSEMBLY - RIGHT SIDE - BLACK (SEE FIGURE 20)	
7	4302181	SUPPORT - BRACKET	1
-	4119013	TEMPERATURE SENSOR PROBE (ATTACHED TO INDEX NUMBER 5) (ALSO LISTED WITH REFRIGERATION COMPONENTS) - NOT SHOWN	1
-	1236050	SWITCH - DRUM ROTATION (INTERLOCK) (ATTACHED TO INDEX NUMBER 5)	1

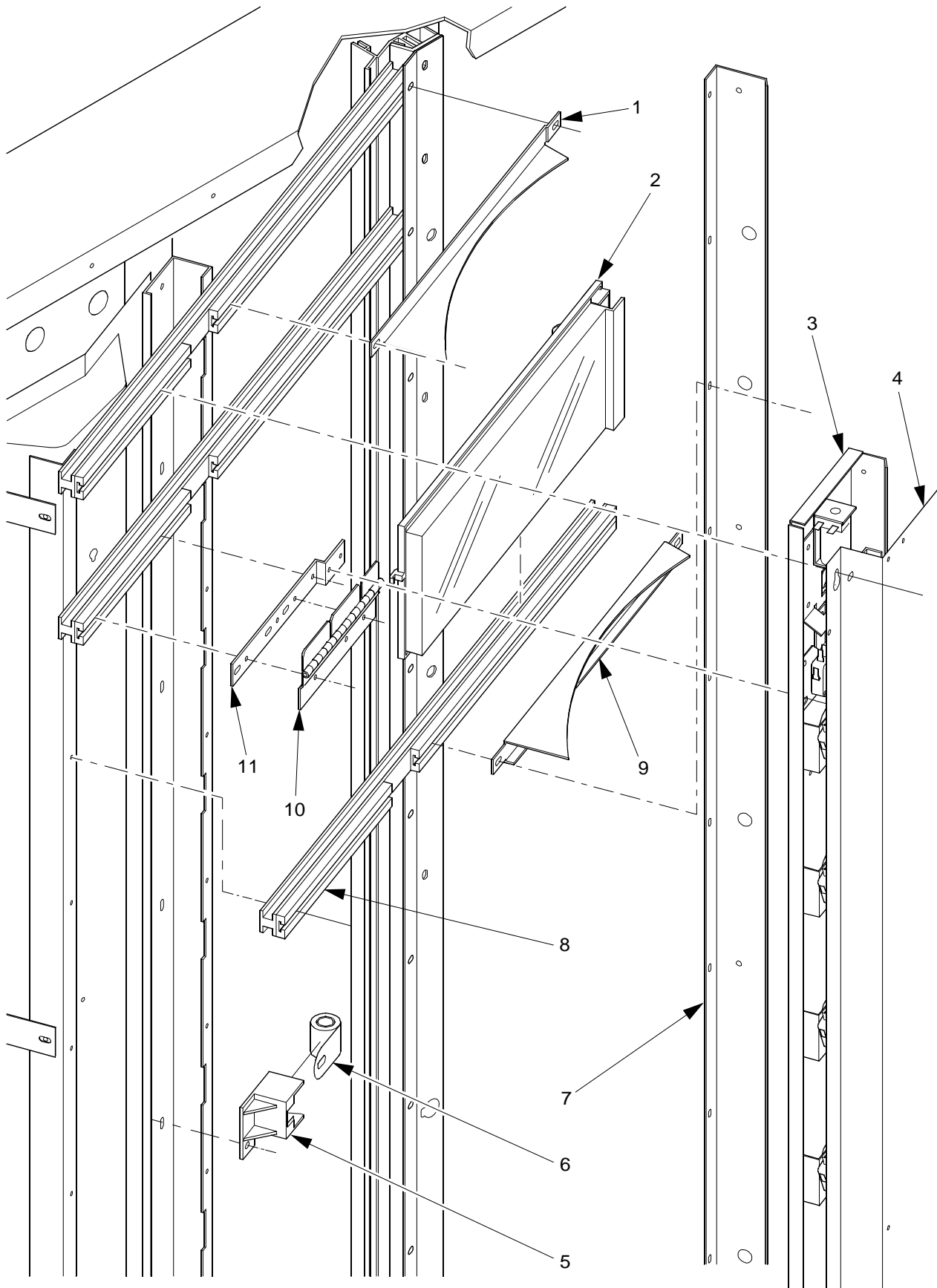


431p0085

Figure 5. Door (Part 4)

TABLE 5. DOOR (PART 4)

INDEX	PART NUMBER	DESCRIPTION	QTY
1	4312096	TRIM - DOOR	1
2	4312228	RETAINER - VEND DOOR - TOP - BLK	1
3	4312227	RETAINER & PLATE ASSY. - BOT - BLK	1
4	4302120	TRIM - DOOR - BOTTOM (STANDARD STYLE)	1
	4312095	TRIM - DOOR - BOTTOM (MILLENNIA STYLE)	

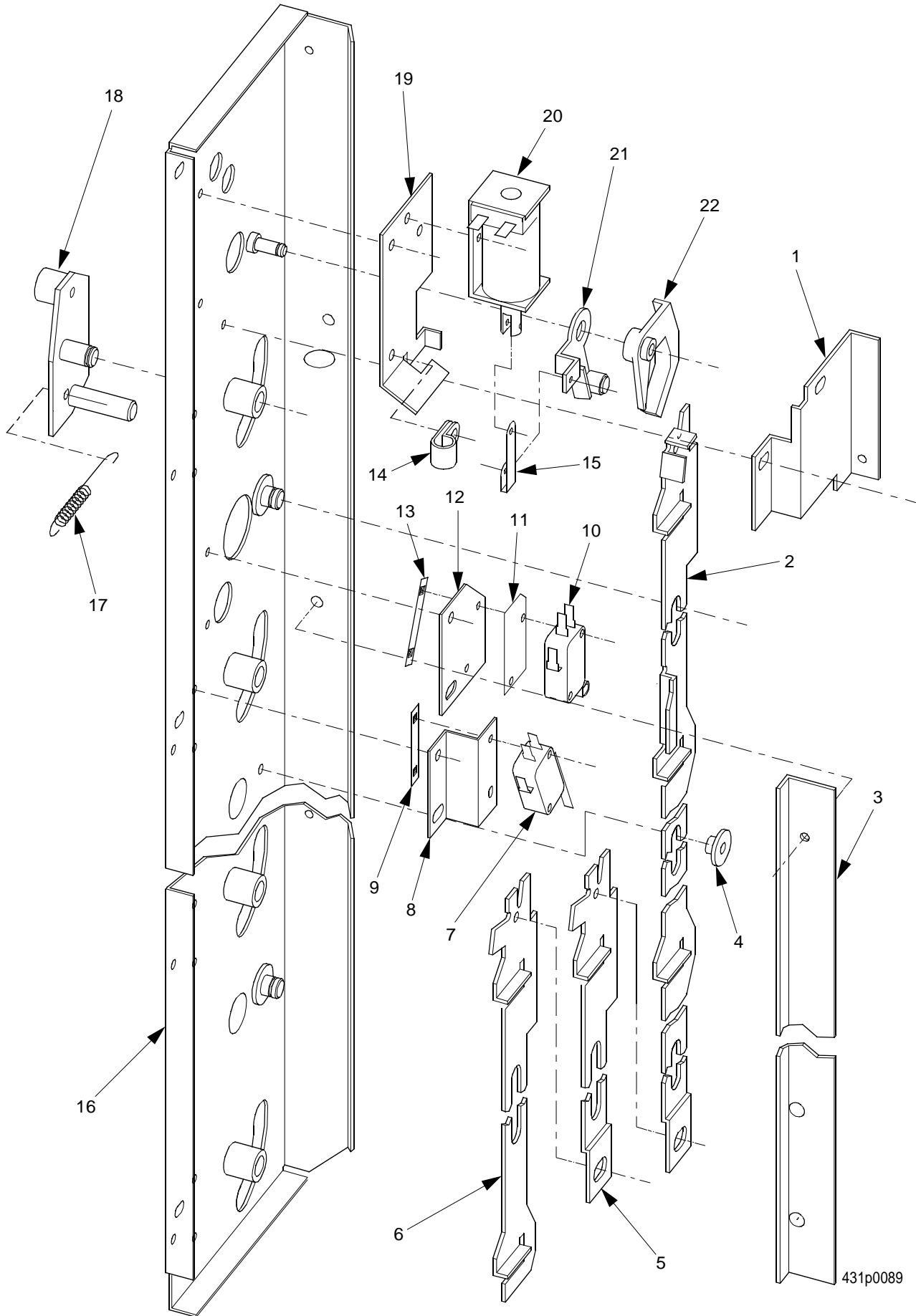


431p0081

Figure 6. Door (Part 5)

TABLE 6. DOOR (PART 5)

INDEX	PART NUMBER	DESCRIPTION	QTY
1	4302118	STIFFENER - GUIDE - TOP	1
2	4312127	DOOR ASSEMBLY - VEND	9
3	4312064	DOOR MECHANISM ASSEMBLY	1
4	4302646	COVER - MECHANISM - WHITE	1
	4302647	COVER - MECHANISM - BLACK	
5	4302269	GUIDE - DOOR	10
6	4302145	SPRING - DOOR	9
7	4302222	ANGLE - MECH.SUPPORT	1
8	4302269	GUIDE - DOOR	10
9	4302117	STIFFENER - DOOR GUIDE	9
10	4302407	STOP - VEND DOOR - ADJUSTABLE	9
11	4302105	BAR - DOOR GUIDE	10

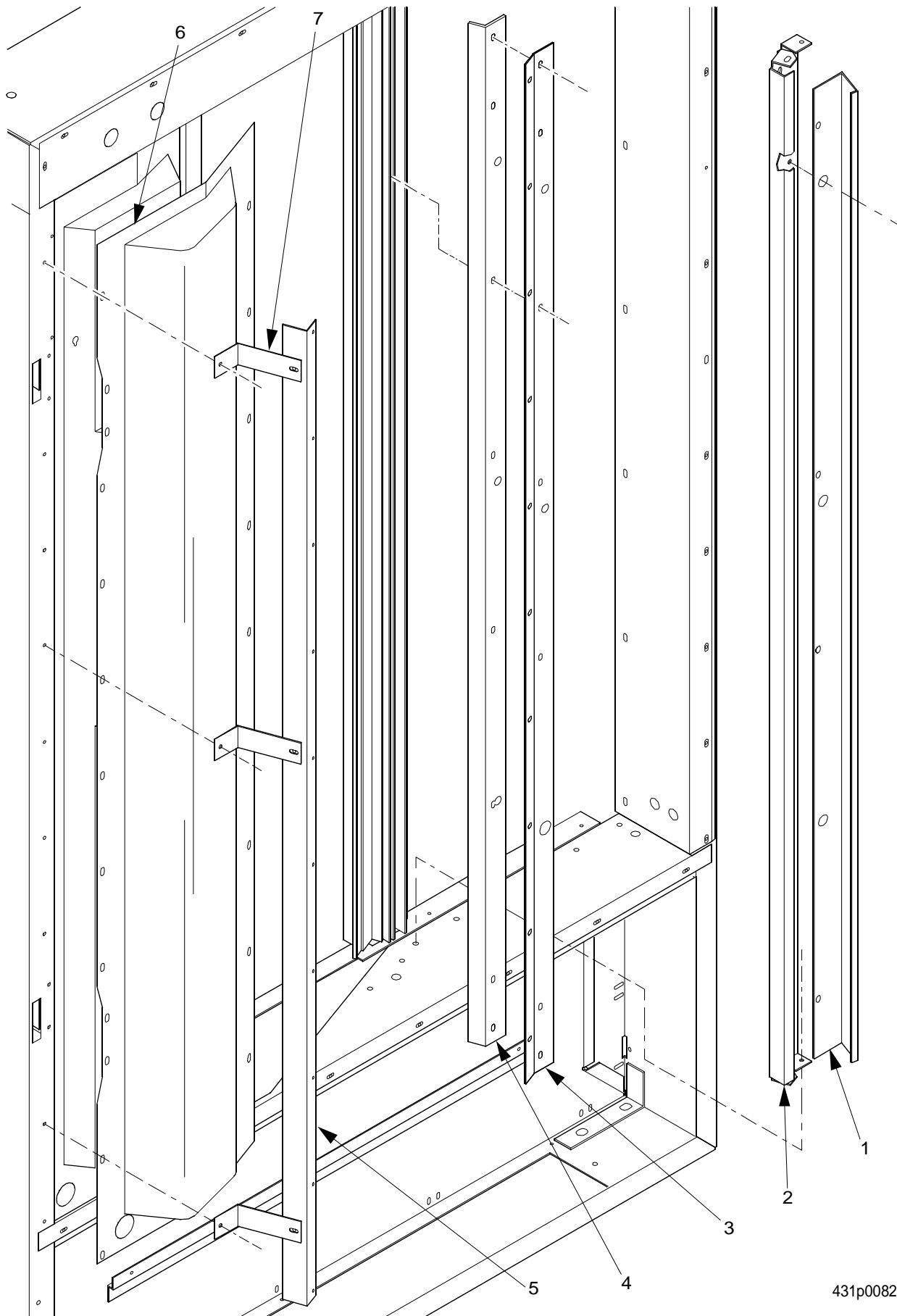


431p0089

Figure 7. Door (Part 6)

TABLE 7. DOOR (PART 6)

INDEX	PART NUMBER	DESCRIPTION	QTY
1	4302224	COVER - PAWL	1
2	4302345	LOCKBAR - UPPER	1
3	4302223	ANGLE - LOCK BAR	1
4	4302348	RETAINER - LOCK BAR	2
5	4302324	LOCK BAR CENTER ASSEMBLY	1
6	4302320	LOCKBAR LOWER ASSEMBLY	1
7	4302319	SWITCH - LEVER - 1 7/8	1
8	4302315	BRACKET - SWITCH	1
9	4302316	FASTENER - TWIN TYPE	1
10	5201091	SWITCH	1
11	6112042	INSULATOR SWITCH	1
12	4302318	PLATE - SWITCH	1
13	4302316	FASTENER - TWIN TYPE	1
14	2302227	CABLE CLAMP RICHCO#N6	-
15	4076510	LINK - SOLENOID	1
16	4302350	PANEL MECHANISM ASSEMBLY	1
17	4302339	SPRING - LOCKOUT ARM	9
18	4302360	ARM LOCKOUT ASSEMBLY	9
19	4302329	PLATE - SOLENOID	1
20	4252029	SOLENOID - 24 VDC	1
21	4302332	PAWL ASSEMBLY	1
22	4302338	LEVER - ANTI CHEAT	1

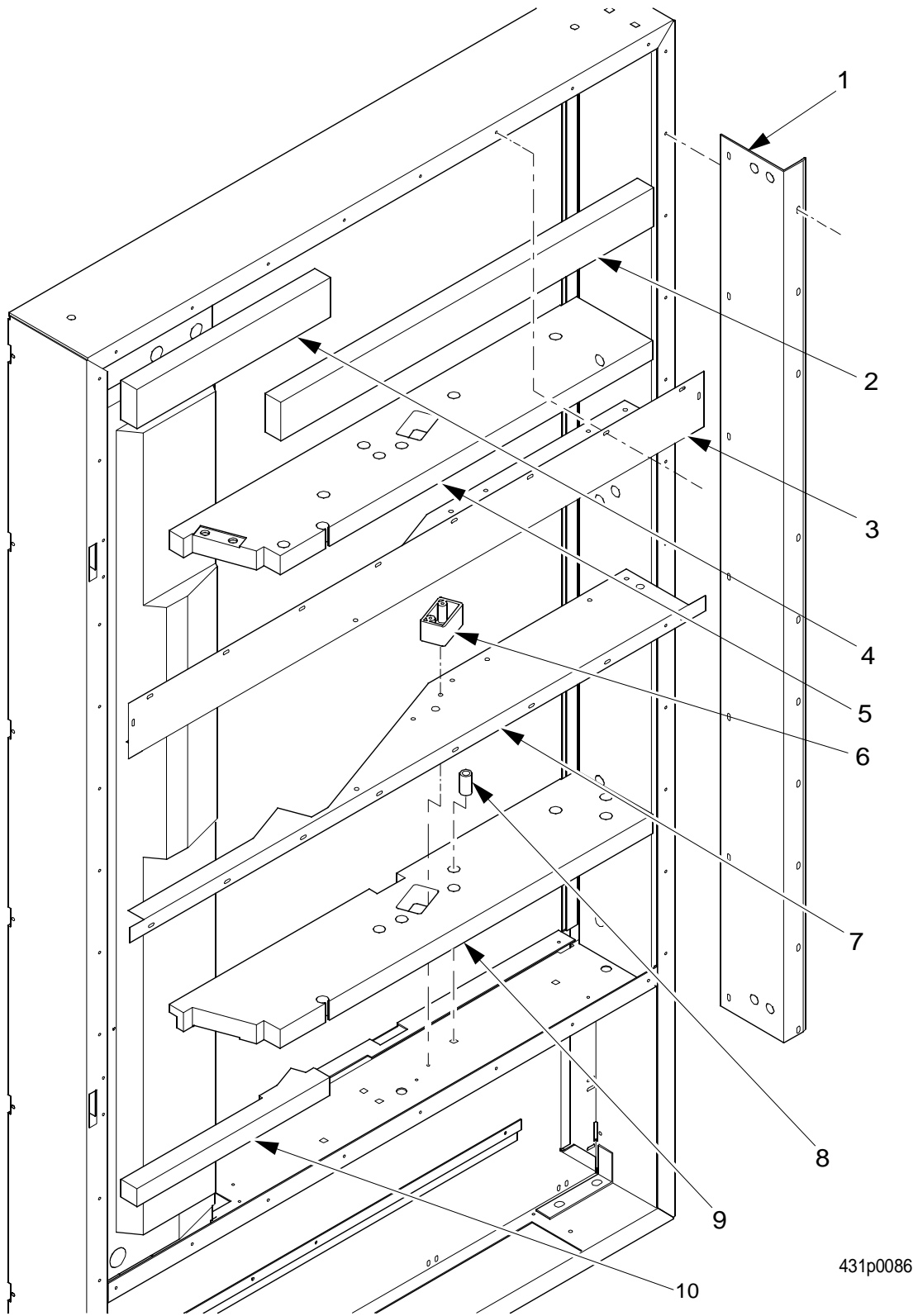


431p0082

Figure 8. Door (Part 7)

TABLE 8. DOOR (PART 7)

INDEX	PART NUMBER	DESCRIPTION	QTY
1	4312084	BAFFLE - DOOR - .62 - WHITE	1
2	4302136	STIFFENER - CENTER POST	1
3	4302390	LOCATOR - DOOR GUIDE (BLACK)	1
4	4302034	ANGLE - CENTER POST	1
5	4302106	ANGLE - SUPPORT - GUIDE	1
6	4302030	LINER - DOOR - RIGHT	1
7	4302181	SUPPORT - BRACKET	3

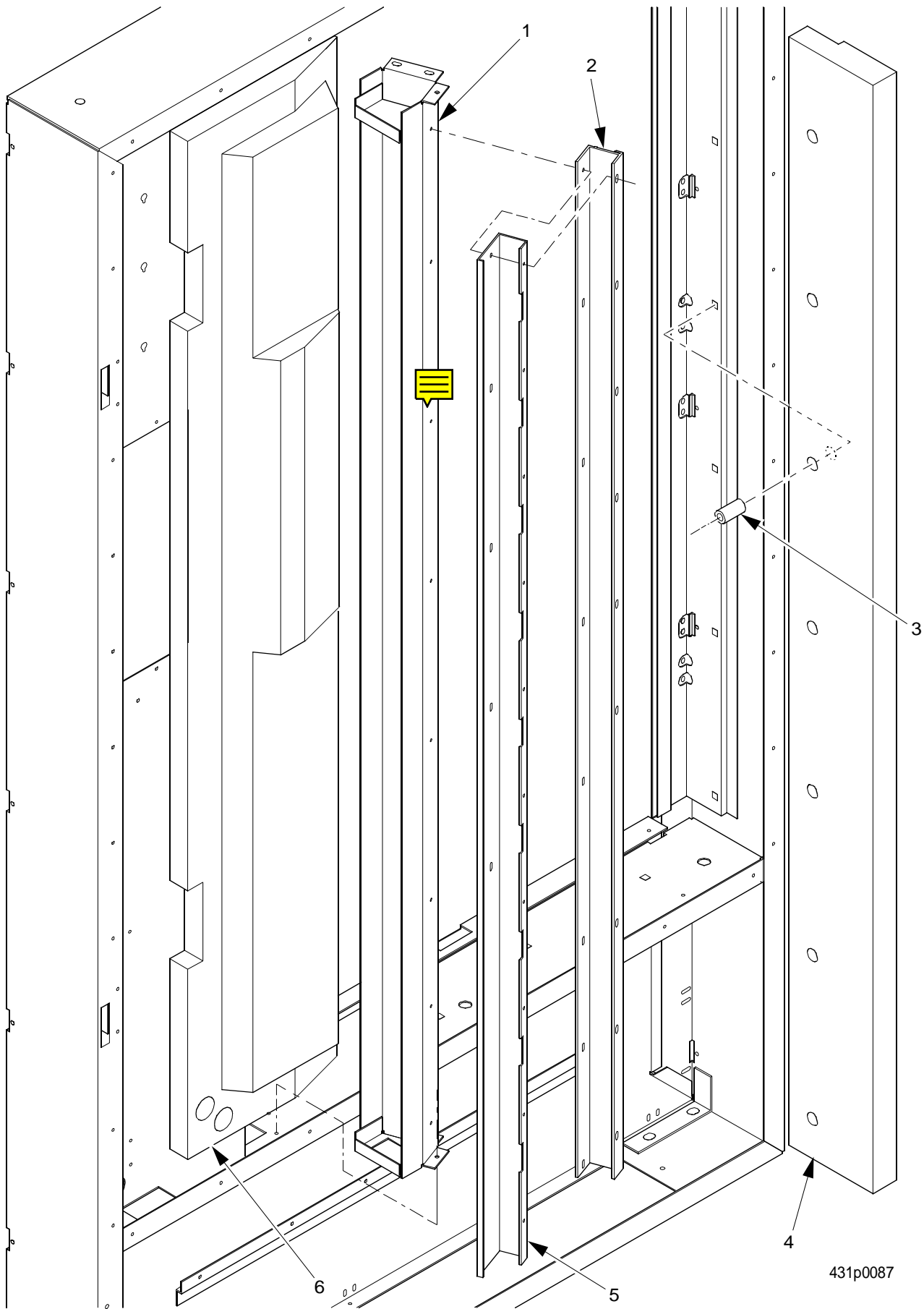


431p0086

Figure 9. Door (Part 8)

TABLE 9. DOOR (PART 8)

INDEX	PART NUMBER	DESCRIPTION	QTY
1	4312208	LINER - DOOR - LEFT - WHITE	1
2	4312219	INSUL,1.01,DOOR,TOP,LEFT	1
3	4302036	SUPPORT - CENTER POST	2
4	4312220	INSUL,1.01,DOOR,TOP,RIGHT	1
5	4312223	INSUL,1.04,DOOR,TOP	1
6	4302036	SUPPORT - CENTER POST	2
7	4302029	LINER - DOOR - BOTTOM	1
	4302385	LINER - DOOR - BOTTOM (BLACK)	
8	9989649	SPACER-PLASTIC-.50 DIA.X1.25LG	-
9	4312222	INSUL,1.04,DOOR,BOTTOM	1
10	4312221	INSUL,0.99,DOOR,FILLER	2



431p0087

Figure 10. Door (Part 9)

TABLE 10. DOOR (PART 9)

INDEX	PART NUMBER	DESCRIPTION	QTY
1	4312145	DUCT ASSEMBLY - VEND DOOR	1
2	4302035	COVER - DOOR CHANNEL	1
3	9989649	SPACER-PLASTIC-.50 DIA.X1.25LG	-
4	4302098	INSULATION - DOOR - LEFT	1
5	4302143	CHANNEL - SPRINGS	1
6	4302097	INSULATION - DOOR - RIGHT	1

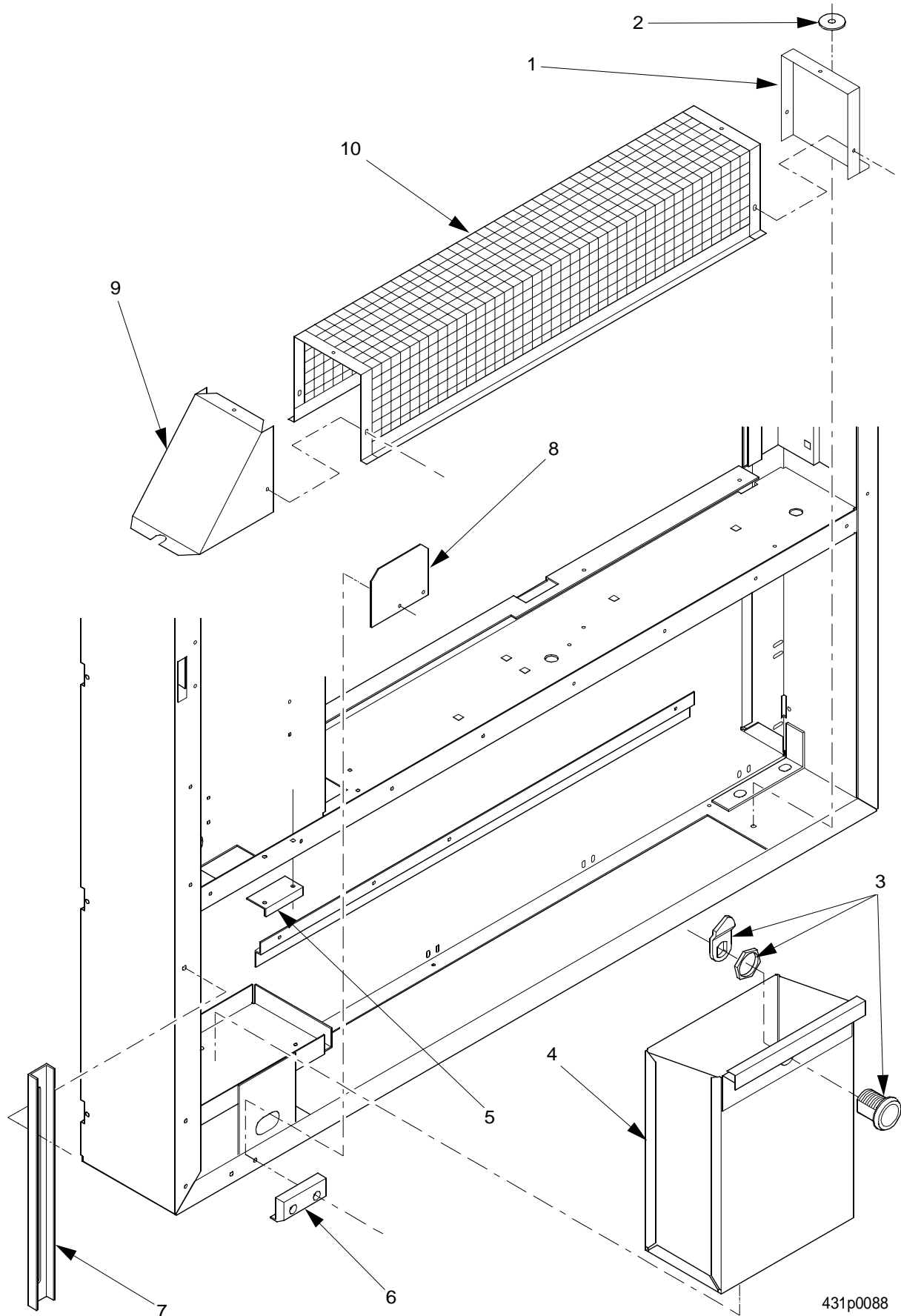


Figure 11. Door (Part 10)

TABLE 11. DOOR (PART 10)

INDEX	PART NUMBER	DESCRIPTION	QTY
1	4041057	END CAP SCREEN FRONT	2
	4312060	END CAP-DOOR SCREEN-LEFT (USED WITH DEBITEK ONLY)	1
2	1122521	BUSHING-LOCK CAM	-
3	1101906	MONEY BOX LOCK-#1801, KA NV407 CHICAGO LOCK #1801	1
4	4302408	BOX ASSEMBLY-MONEY	1
5	4302022	ANGLE-MONEY BOX LOCK	1
6	4302191	GLIDE-DOOR	1
7	4302237	DOOR SUPPORT CHANNEL	1
8	4312063	PLATE-DOOR SWITCH ACTUATOR	1
9	4302163	END CAP-SCREEN FRONT (USED WITH DEBITEK ONLY)	1
	4312061	END CAP-DOOR SCREEN-RIGHT	
10	4302144	SCREEN-FRONT (USED WITH DEBITEK ONLY)	1
	4312057	SCREEN-DOOR	

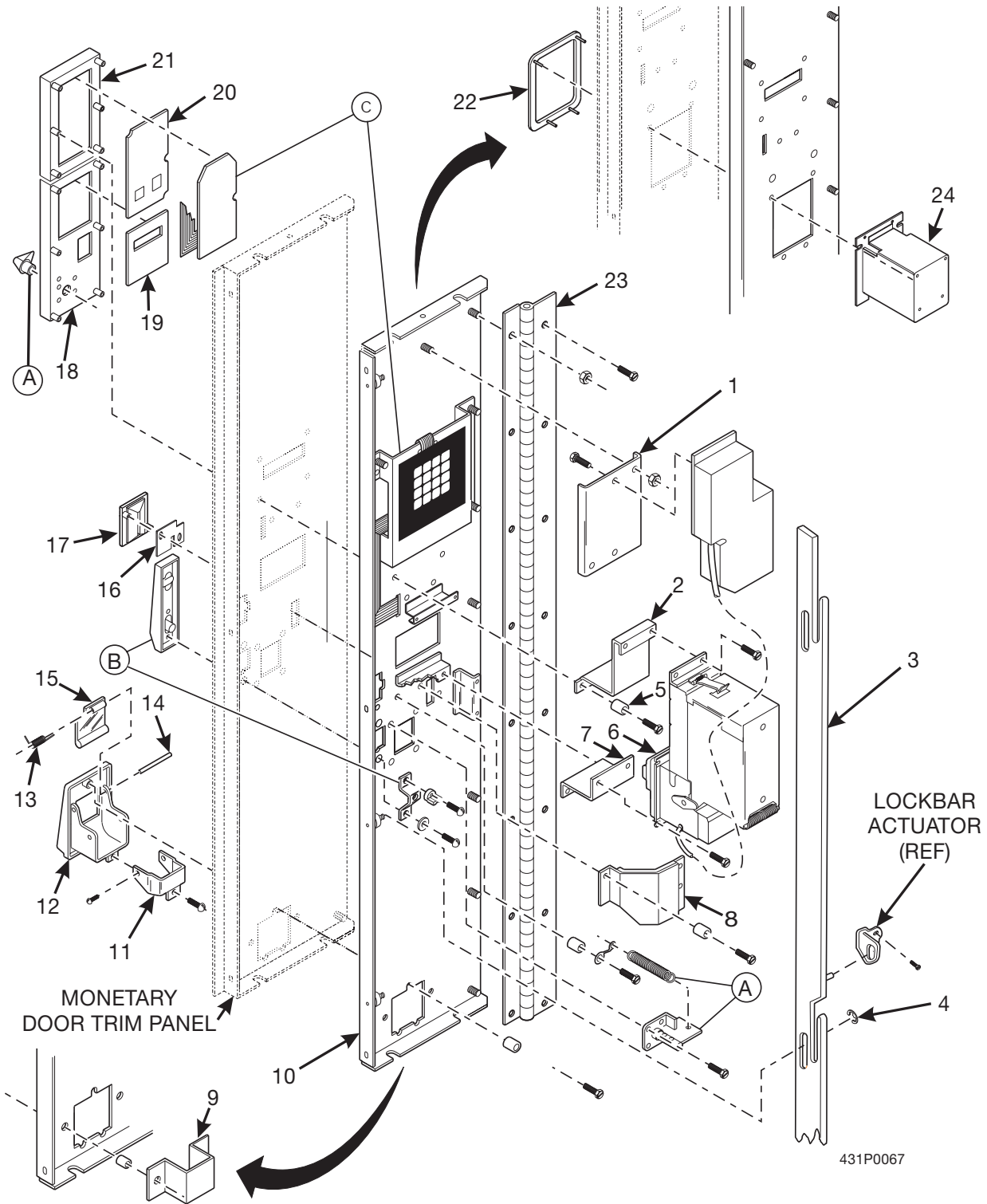


Figure 12. Monetary Door - Part 1

TABLE 12. MONETARY DOOR - PART 1

INDEX	PART NUMBER	DESCRIPTION	QTY
1	4305131	BRACKET - MOUNTING - VALIDATOR CONTROLLER	1
2	4305016	BRACKET - UPPER - MAKA VALIDATOR	OPT
	4315014	BRACKET - UPPER - COINCO VALIDATOR	
	4315012	BRACKET - UPPER - MARS VALIDATOR	
3	4305027	LOCKBAR ASSEMBLY	1
4	9900425	RETAINING RING - REINF. "E-TYPE" .250	4
5	2302053	SPACER - CUP	12
6	-	VALIDATOR (SEE TABLE 16)	OPT
7	4315018	BRACKET - LOWER - MAKA VALIDATOR	OPT
	4315015	BRACKET - LOWER - COINCO VALIDATOR	
	4315013	BRACKET - LOWER - MARS VALIDATOR	
8	4305048X	COINCHUTE - BACK & COVER ASSEMBLY	1
9	4305088	ACTUATER - INTERLOCK SWITCH(NO COIN OPTIONS ONLY)	OPT
10	4315041	WELD ASSEMBLY - DOOR - MONETARY - DEBITEK - STANDARD	1
	4315041	WELD ASSEMBLY - DOOR - DEBIT READER - MILLENNIA	
	4315030	WELD ASSEMBLY - DOOR - MONETARY - STANDARD - MILL.	
11	1272044	PLATE - RECEPTACLE - 2 ICE	1
12	1272131	COIN RECEPTACLE	1
13	1212117	SPRING - COIN RETURN DOOR	1
14	1272039	PIN - GATE	1
15	1272132	SPRING - COIN RECEPTACLE	1
16	1472222	COIN BLOCK (USA)	1
17	1472223	COIN INSERT	1
18	4305019	CASTING - SCAVENGER & READOUT - STANDARD	1
	4305114	CASTING - SCAVENGER - CARD READER CPT - STANDARD	
	8905010	CASTING - SCAVENGER - BLACK - STANDARD/MILLENNIA	
19	-	INSERT - INSTRUCTIONS - LOWER (SEE FIGURE 15)	1
20	-	INSERT - INSTRUCTIONS - UPPER (SEE FIGURE 14)	1
21	4255026	BEZEL - PUSH BUTTON - STANDARD	1
	8905009	BEZEL - INSTRUCTIONS PLATE - BLACK - MILLENNIA CPT	
22	4305105	FRAME ASSEMBLY - CARD READER CPT	OPT
23	4305011	HINGE - MONETARY DOOR	1
24	-	CARD READER (SEE TABLE 17)	OPT
A	-	SCAVENGER ASSEMBLY (SEE FIGURE 24)	-
B	-	LIFT HANDLE LOCK ASSEMBLY (SEE FIGURE 25)	-
C	-	MONETARY DOOR ELECTRONICS ASSEMBLY (SEE FIGURE 13)	-

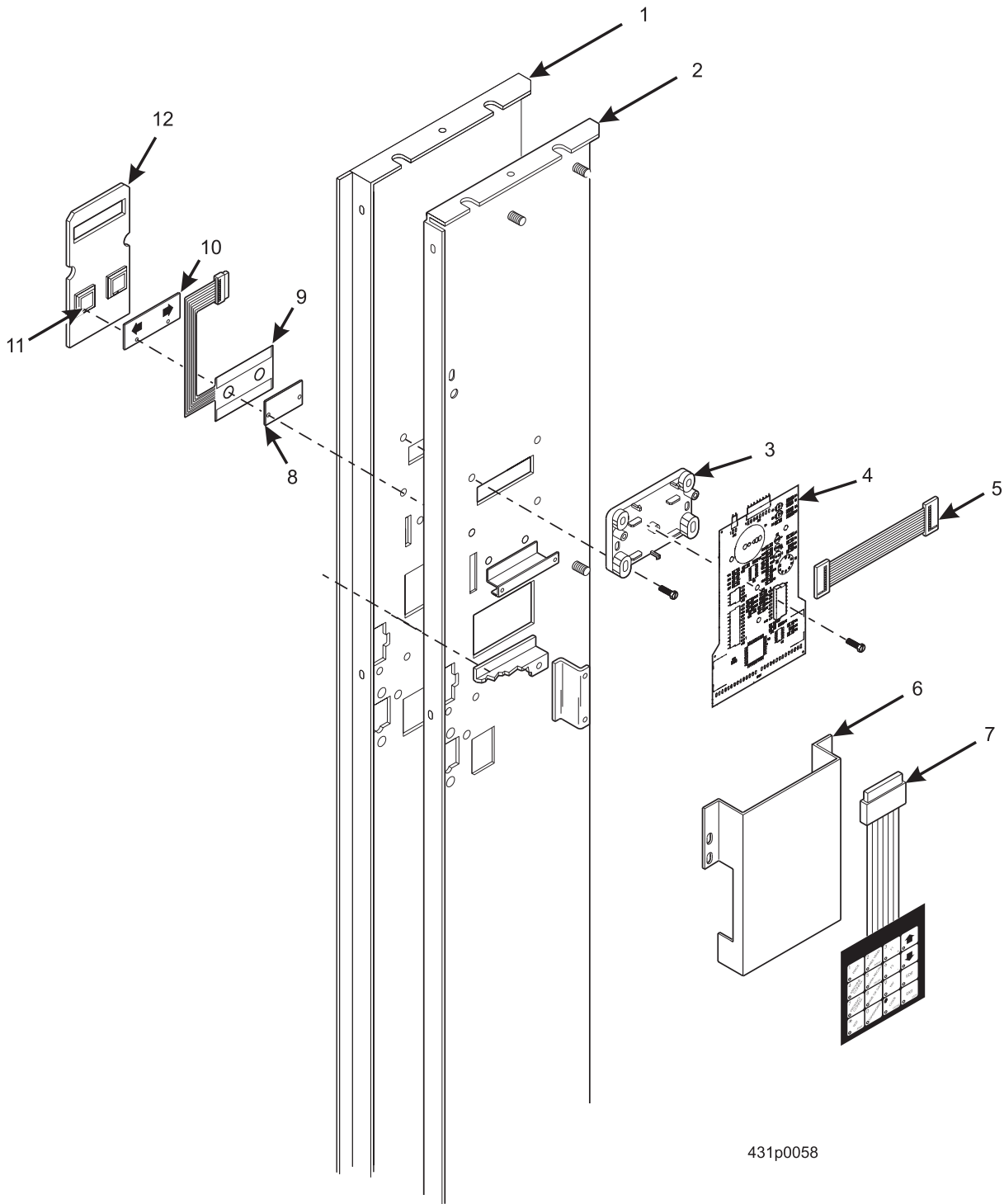
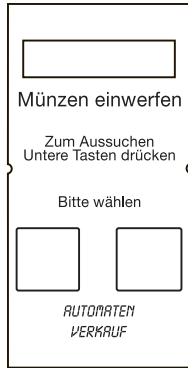


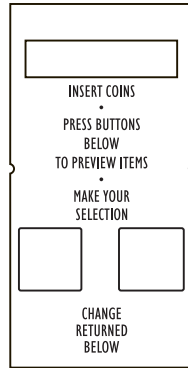
Figure 13. Monetary Door Electronics Assembly

TABLE 13. MONETARY DOOR ELECTRONICS ASSEMBLY

INDEX	PART NUMBER	DESCRIPTION	QTY
1	-	TRIM PANEL - MONETARY DOOR	1
2	4315030	DOOR WELD ASSEMBLY - MONETARY	1
3	1475099	BRACKET - PCB - DISPLAY	1
4	9989685	PCB ASSEMBLY - DISPLAY - STANDARD	1
	9989628	PCB ASSEMBLY - DISPLAY - UNIVERSAL (DEBITEK OPT.)	
5	6339017	FLAT CABLE - DISPLAY TO CONTROLLER	1
6	4315003	BRACKET - PCB MOUNTING	1
7	6335002X	SERVICE KEYPAD ASSEMBLY	1
8	4305077	DIRECTION SWITCH SHIM PLATE	1
9	4315001	DIRECTION SWITCH - MEMBRANE	1
10	4305069	ARROW SHEET - PUSHBUTTON	1
11	1472251	LENS - PUSHBUTTON	2
12	4305071	BUTTON HOUSING ASSEMBLY	1



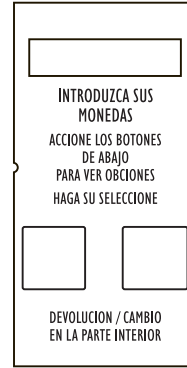
4305079
GERMANY



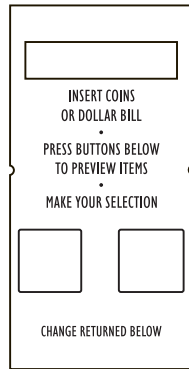
4305072
USA
UK
NEW ZEALAND
AUSTRALIA



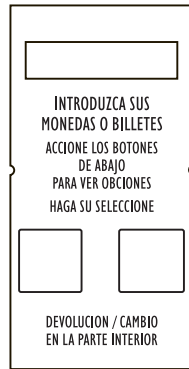
4305147
SWEDEN



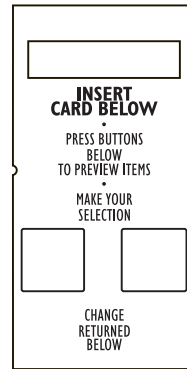
4305135
BRAZIL



4305066
USA
NAVY
SAUDI ARABIA



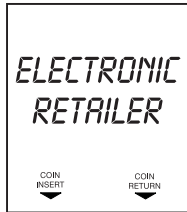
4315133
ARGENTINA



4305103
USA

431p0070

Figure 14. Instruction Inserts - Upper



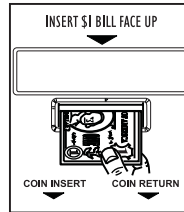
1452362
COINS ONLY

USA
SAUDI ARABIA



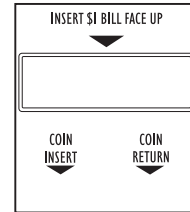
4305132
COINS & BILLS -
CBV

ARGENTINA



4305022
COINS & BILLS

USA
NAVY



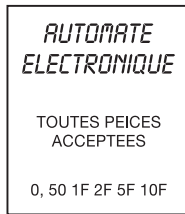
4315019
COINS & BILLS -
COINCO

USA



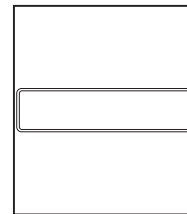
1052006
COINS ONLY

UK
AUSTRALIA
NEW ZEALAND



4302261
COINS ONLY

FRANCE

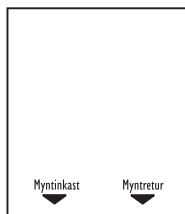


4315053
GPT BLANK



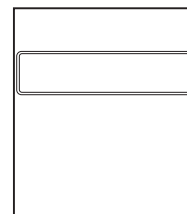
3152473
COINS ONLY

GERMANY



3172031
COINS ONLY

SWEEDEN



4315053
DEBIT & COIN

USA

431p0071

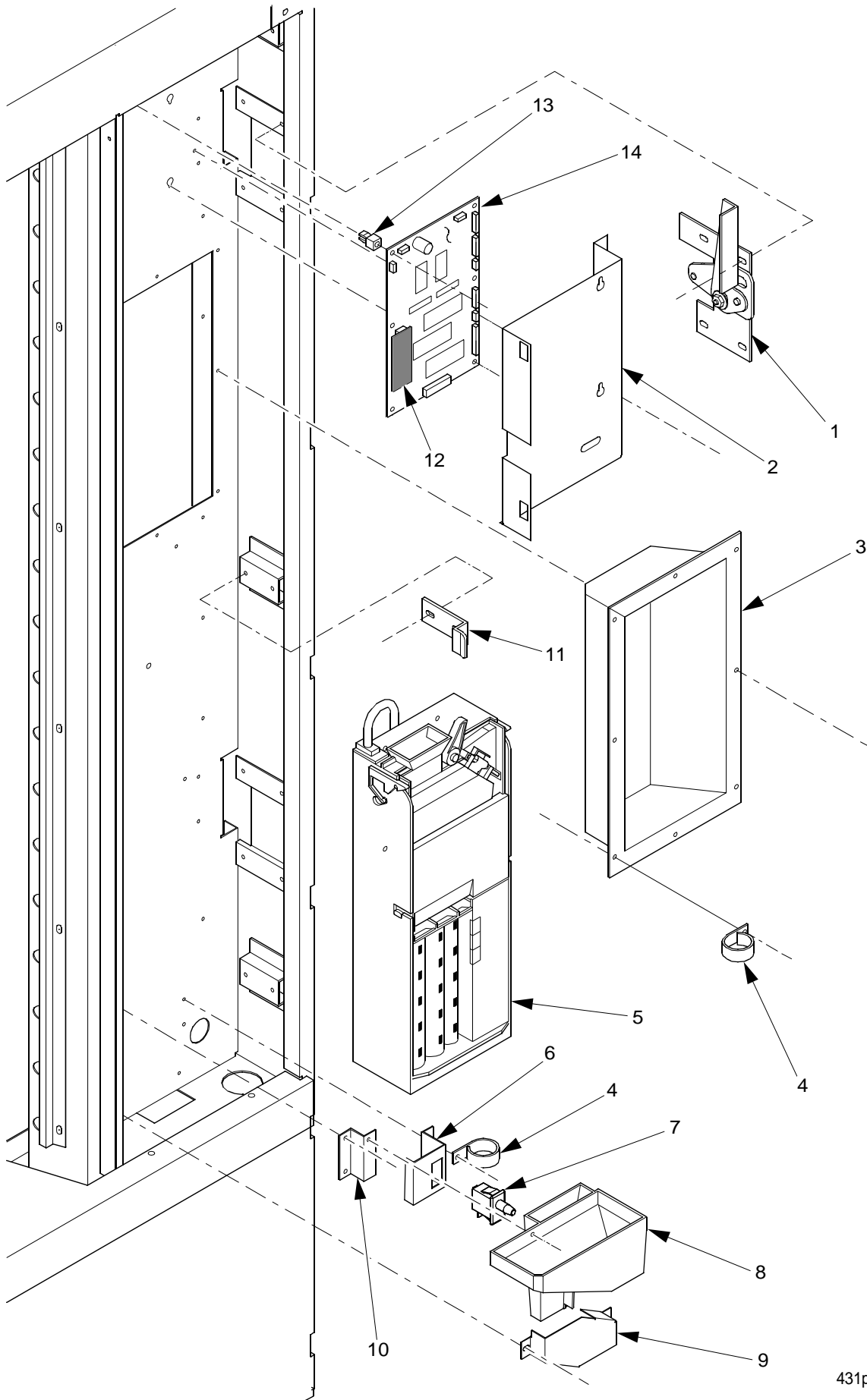
Figure 15. Instruction Inserts - Lower

TABLE 16. VALIDATOR OPTIONS

PART NUMBER	DESCRIPTION	USE HARNESS	QTY
1452359	VALIDATOR & CONTROLLER NB10	1579006	1
5900272	VALIDATOR - COINCO - #BA-30-SA	1579028	1
5900194	VALIDATOR - MARS - S2000 - VN2521U3E - CNSMT	1579028	1
5900206	VALIDATOR - MARS VN2522-U3E-24 - VAC	1579032	1
5900211	VALIDATOR - MARS VN2522-U3M/230 "MDB	-	-
5900236	VALIDATOR - CONLUX MKA2162-11B-170 - MDB	1599050	1
5900221	VALIDATOR - COINCO - BA325A - 24V	1579032	1
5900235	VALIDATOR - CONLUX MAK2152-11B 120V	1579028	1
5900236	VALIDATOR - CONLUX MKA2162-11B-170 - MDB	1579032	1
5900206	VALIDATOR - MARS VN2522-UE3 - 24VAC	1579032	1
5900249	VALIDATOR - MARS - AE2622 U3M - MDB	-	-
5900250	VALIDATOR - MARS - AE2621 U3M - SERIAL	1579028	-

TABLE 17. CARD READER OPTIONS

PART NUMBER	DESCRIPTION	USE HARNESS	QTY
1475108	CARD READER - DEBITEK - MODIFIED	9989631	1
5900246	CARD READER - DEBITEK - KV1S - MDB	-	1



431p0090

Figure 18. Monetary Compartment

TABLE 18. MONETARY COMPARTMENT

INDEX	PART NUMBER	DESCRIPTION	QTY
1	4302039	LATCHPLATE ASSEMBLY (SEE FIGURE 19)	2
2	4315007	COVER - INTERFACE PCB	1
3	4302032	HOUSING - VALIDATOR	1
4	4305043	CLIP - HARNESS	7
5	-	COIN MECHANISM (SEE TABLE 18A)	OPT
6	4312218	BRACKET - MONETARY INTERLOCK	1
7	6111041	SWITCH - SERVICE LIGHT	1
8	1451334	CHUTE - COIN RETURN	1
9	4302090	CHUTE - CASH BOX	1
10	4302049	BRACKET - CHUTE MOUNTING	1
11	4302055	BAR - DOOR PANEL LATCH	3
12	9989687	PCB ASSEMBLY - EXEC INTERFACE (230V INTERNATIONAL)	1
13	1571034	STANDOFF - PCB - 3/8 SCREW MOUNT	1
14	4316028	MAIN CONTROLLER PCB - W/E-PROM (INCL. FOLLOWING 2)	1
-	(SEE LABEL)	IC ASSEMBLY	1
-	9989755	PCB ASSEMBLY - MAIN CONTROLLER	1

TABLE 18A. COIN MECHANISM OPTIONS

PART NUMBER	DESCRIPTION	QTY
5900116	MARS TRC 6000 COIN UNIT	1
5307321	COINTRON 3000 - US COIN VALIDATOR	1
5900112	MARS MC5000 COIN UNIT	1
5900094	COINCO 9300L COIN UNIT	1
5900096	COINCO 9340L COIN UNIT	1
5900097	COINCO 9340L - BRC - COIN UNIT	1
5900192	CONLUX USLX 00401F - COIN UNIT	1
6400002	MARS # TRC 6010 XV - COIN CHANGER	1
6400003	COINCO 9302LF - 24VDC - COIN CHANGER	1
5900244	COINCO USD - G701 MDB - COIN UNIT	1
5900243	TRC 6512 MDB - CONSNMNT - COIN UNIT	1
5900213	COINCO - 9302 - GX - "MDB" - COIN UNIT	1
5900209	CONLUX USLZ - 001 "MDB" - COIN UNIT	1
5900214	COIN UNIT - MARS - VN4510 - MDB	1
5900216	COIN UNIT - MARS - VN4000, 110V	1
5900217	COIN UNIT - MARS - VN4010XV - 24V	1
5900237	COIN MECH - CONLUX USLX - 001 - 120V	1

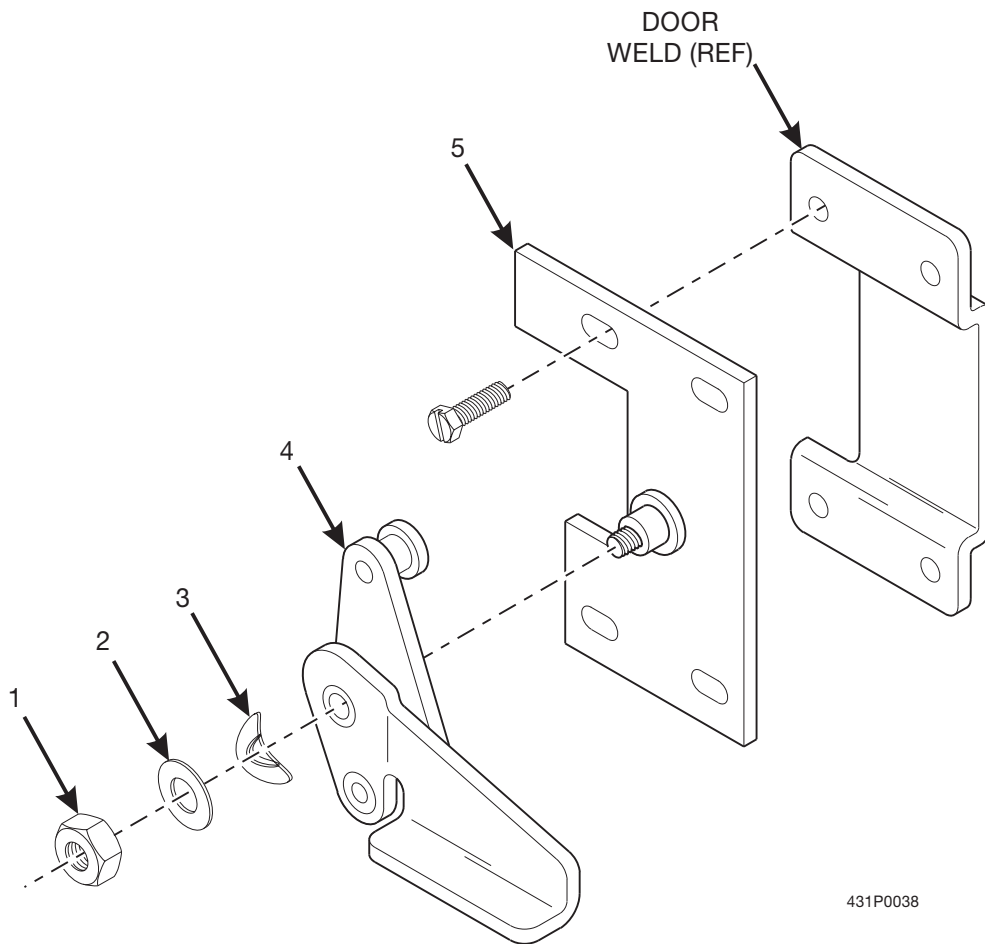
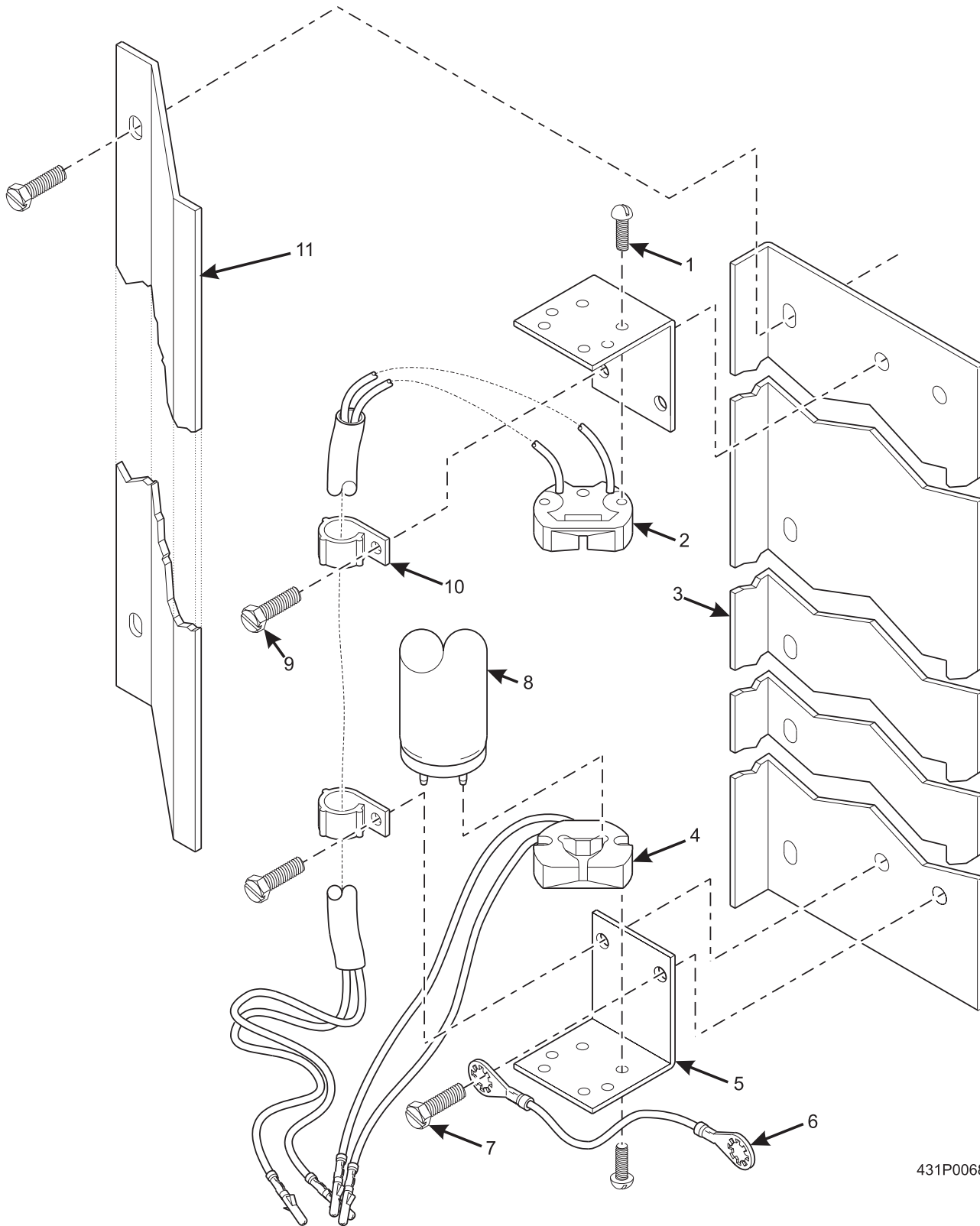


Figure 19. Monetary Compartment Latch and Plate Assembly

TABLE 19. MONETARY COMPARTMENT LATCH AND PLATE ASSEMBLY

INDEX	PART NUMBER	DESCRIPTION	QTY
-	4302039	LATCH & PLATE ASSEMBLY - MONETARY	REF
1	9900207	NUT #10-32 SELF-LOCKING	1
2	6138181	WASHER - PLATE	1
3	1141057	SPRING WASHER - .750 X .395 X .020	1
4	4302040	LATCH ASSEMBLY - CABINET	1
5	4302050	PLATE ASSEMBLY - CABINET LATCH MOUNTING	1

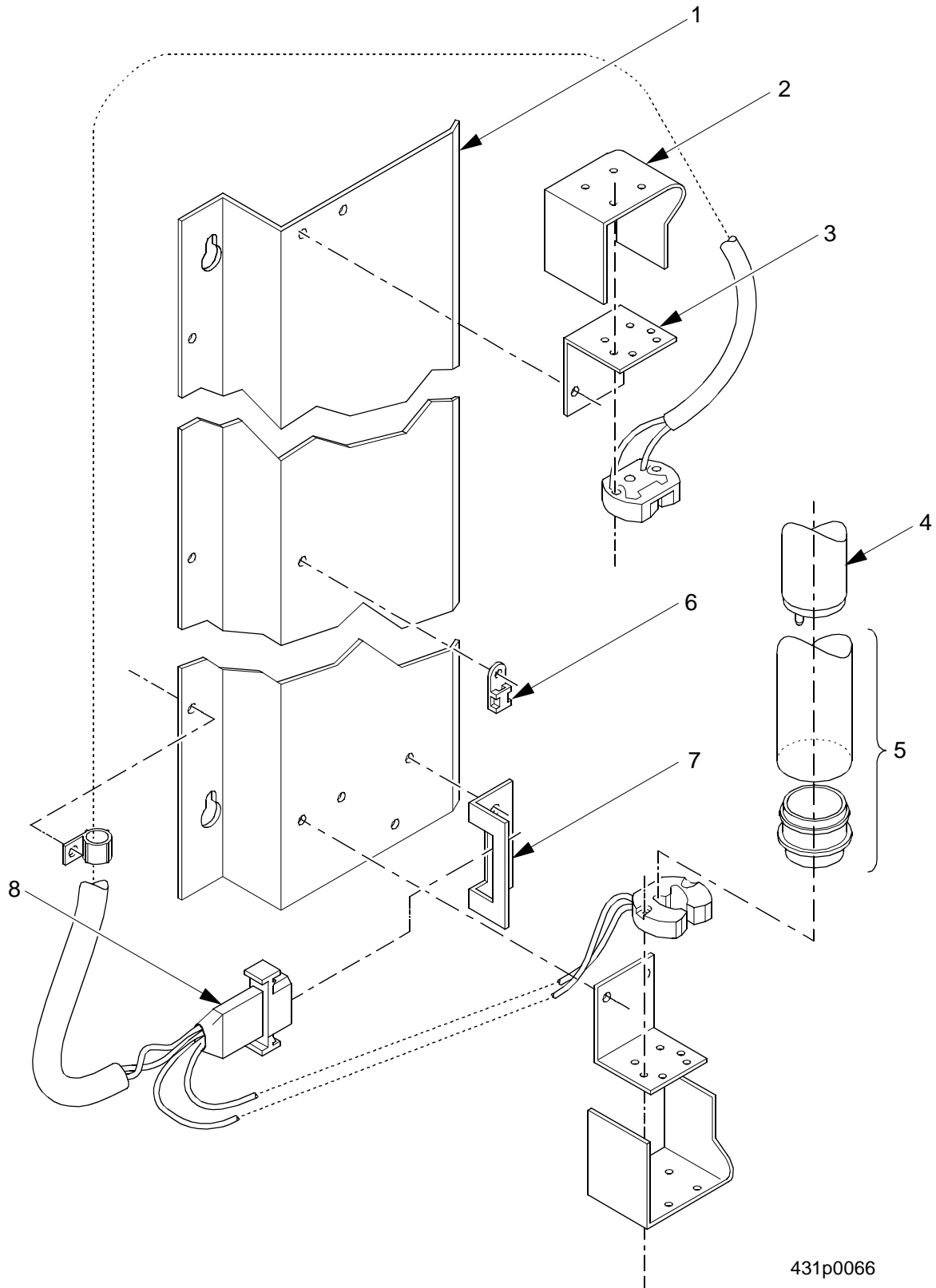


431P0068

Figure 20. Light Assembly - Right Side

TABLE 20. LIGHT ASSEMBLY - RIGHT SIDE

INDEX	PART NUMBER	DESCRIPTION	QTY
-	4312072	FLUORESCENT LIGHT BRACKET ASSEMBLY - WHITE	-
	4312078	FLUORESCENT LIGHT BRACKET ASSEMBLY - BLACK	
1	4302276	FLUORESCENT SOCKET - UPPER	1
2	4312130	BRACKET - LIGHT - WHITE	1
	4312131	BRACKET - LIGHT - BLACK	
3	4302277	FLUORESCENT SOCKET - LOWER	1
4	4302086	ANGLE - LIGHT - WHITE	2
	4302396	ANGLE - LIGHT - BLACK	
5	1475119	JUMPER - GROUND WIRE	1
6	4031149	LAMP - FLUORESCENT - 40 WATT	1
7	4312132	SHIELD - LIGHT - WHITE	1
	4312133	SHIELD - LIGHT - BLACK	



431p0066

Figure 21. Light Assembly - Left Side

TABLE 21. LIGHT ASSEMBLY - LEFT SIDE

INDEX	PART NUMBER	DESCRIPTION	QTY
-	4302187X	MECH. COVER & LIGHT BRACKET ASSY - WHITE - 115V	-
	4302398X	MECH. COVER & LIGHT BRACKET ASSY - BLACK - 115V	
	4302642	MECH. COVER & LIGHT BRACKET ASSY - WHITE - 230V	
	4302569	MECH. COVER & LIGHT BRACKET ASSY - BLACK - 230V	
1	4302646	COVER - MECHANISM - WHITE	1
	4302647	COVER - MECHANISM - BLACK	
2	4311011	COVER - SOCKET - WHITE	2
	4311012	COVER - SOCKET - BLACK	
3	4302086	ANGLE - LIGHT - WHITE	2
	4302396	ANGLE - LIGHT - BLACK	
4	4031149	LAMP - FLUORESCENT - 40W	1
5	4302069	SAFETY SLEEVE ASSEMBLY - WITH END CAPS	1
6	4302245	ANCHOR - CABLE TIE IITAI - S8M	1
7	4302093	BRACKET - FLUORESCENT PLUG	1
8	4319026	HARNESS - FLUORESCENT LIGHT	1

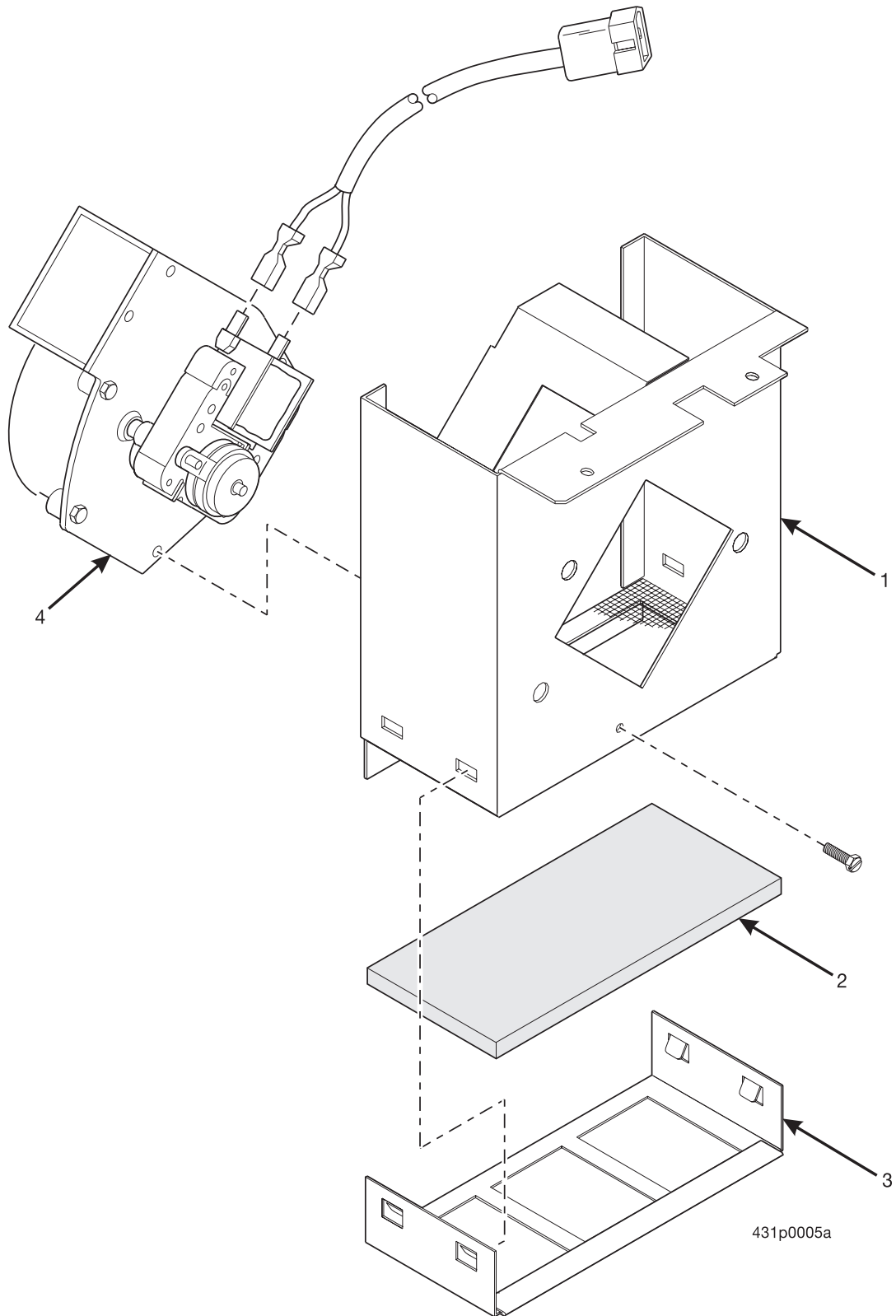
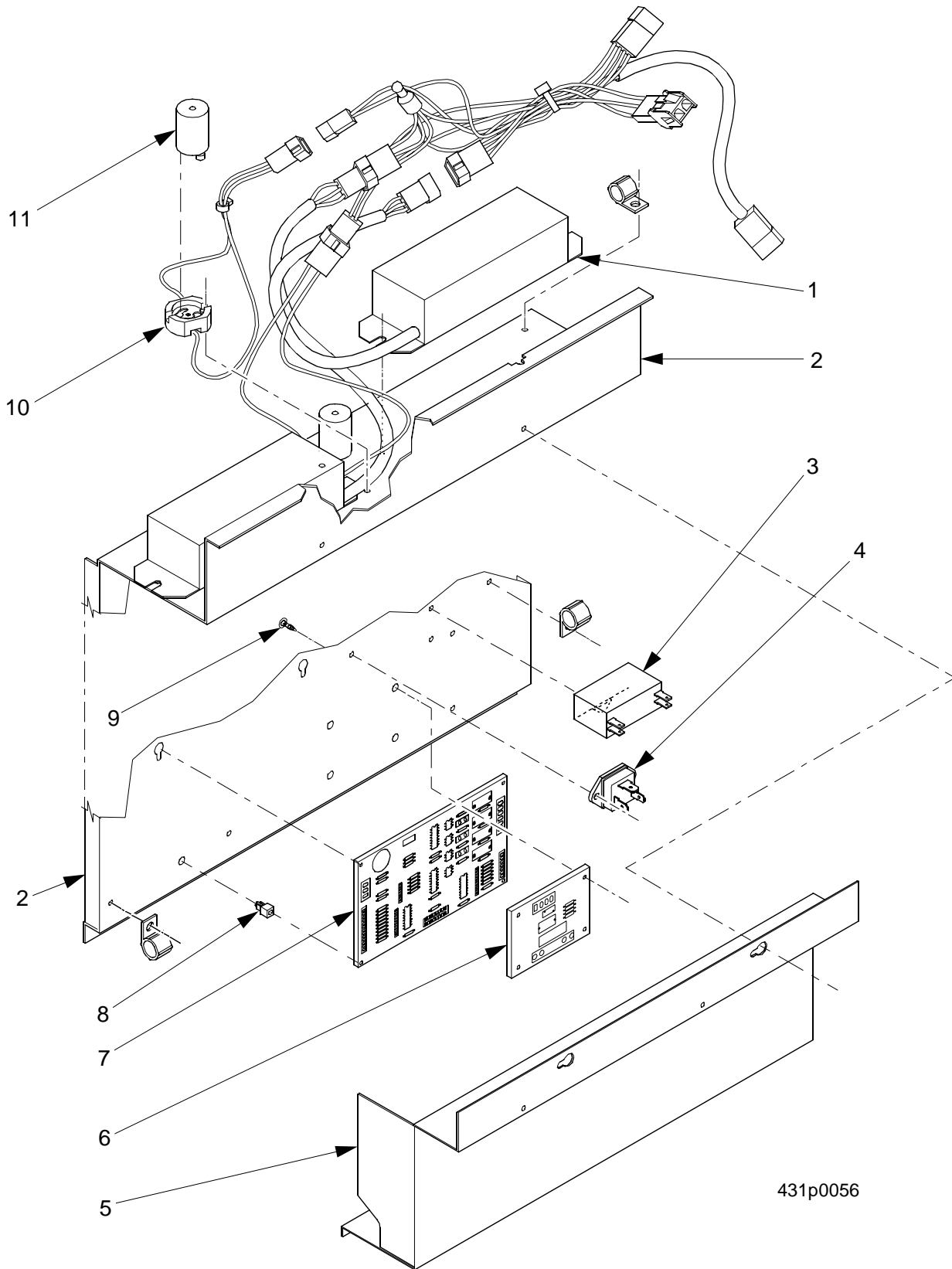


Figure 22. Duct - Blower Assembly

TABLE 22. DUCT - BLOWER ASSEMBLY

INDEX	PART NUMBER	DESCRIPTION	QTY
-	4312010	DUCT - BLOWER ASSEMBLY - 115V	-
	4312050	DUCT - BLOWER ASSEMBLY - 230W	
1	4312011	WELD ASSEMBLY - DUCT BLOWER	1
2	4312016	FILTER - DOOR DUCT	1
3	4312015	RETAINER - FILTER	1
4	4312210	BLOWER ASSEMBLY - 115V	1
	4312211	BLOWER ASSEMBLY - 230V	

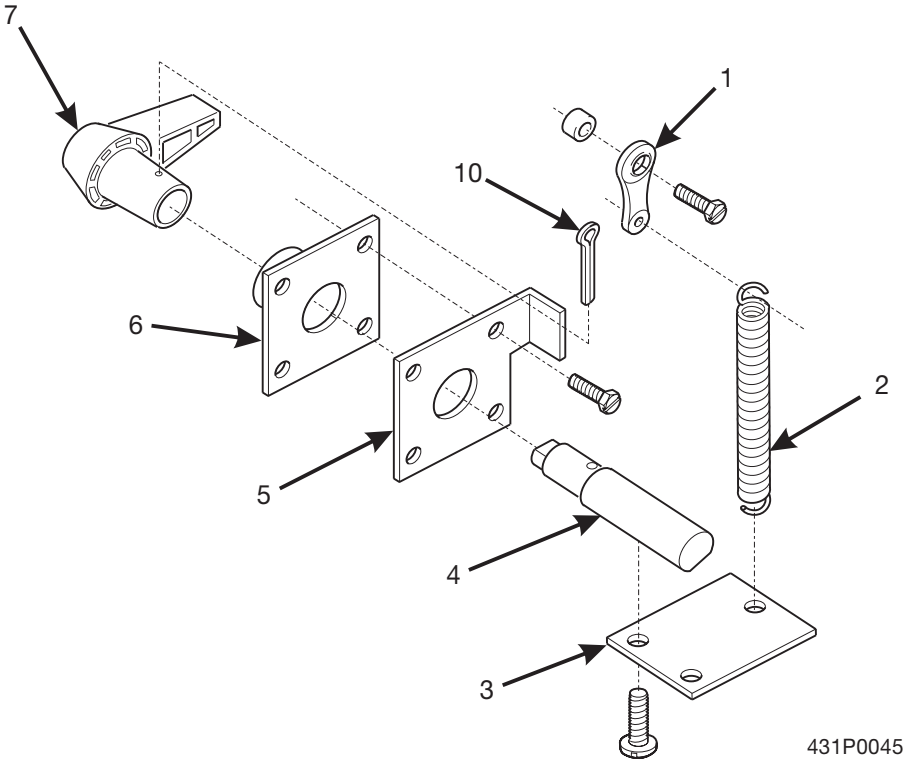


431p0056

Figure 23. Lower Door Electrical Assembly

TABLE 23. LOWER DOOR ELECTRICAL ASSEMBLY

INDEX	PART NUMBER	DESCRIPTION	QTY
-	4311095	ELECTRICAL ASSEMBLY - LOWER DOOR - 115V	-
	4311139	ELECTRICAL ASSEMBLY - LOWER DOOR - 230V	
1	4241135	BALLAST ASSEMBLY - CENTER LIGHT - 115V	2
	4312008	BALLAST ASSEMBLY - 40W - 230V	
2	4312017	CHASSIS - CONTROL	1
3	9988210	CAPACITOR - MOTOR RUN - 10VT - 115V	1
	9988211	CAPACITOR - MOTOR RUN - 2.5MT - 230V	
4	9983778	TRIAC - 35A - 600V	1
5	4312065	COVER - CONTROL CHASSIS	1
6	9989659	PCB ASSEMBLY - DUMB MECH POWER SUPPLY -115V	1
7	4316024	PCB ASSEMBLY - SHOPPER INTERFACE	1
8	1571034	STANDOFF - PCB - 3/8 SCREW MOUNT	1
9	1571035	STANDOFF - PCB 3/8 SNAP LOCK	4
10	4319008	STARTER SOCKETS ASSEMBLY	2
11	4031150	FLUORESCENT LAMP STARTER - FS - 4	2
-	5202048	FUSE - 1 AMP (PART OF INDEX NUMBER 4)	1



431P0045

Figure 24. Scavenger Assembly

TABLE 24. SCAVENGER ASSEMBLY

INDEX	PART NUMBER	DESCRIPTION	QTY
1	4241235	LOCKING - TERMINAL - LUG	1
2	4076515	SPRING COMMON BAR	1
3	4305062	LEVER - COIN RETURN	1
4	4305050	SHAFT - COIN RETURN	1
5	4305026	STOP - COIN RETURN LEVER	1
6	1402014	BEARING - SCAVENGER	1
7	1452191	HANDLE - SCAVENGER	1

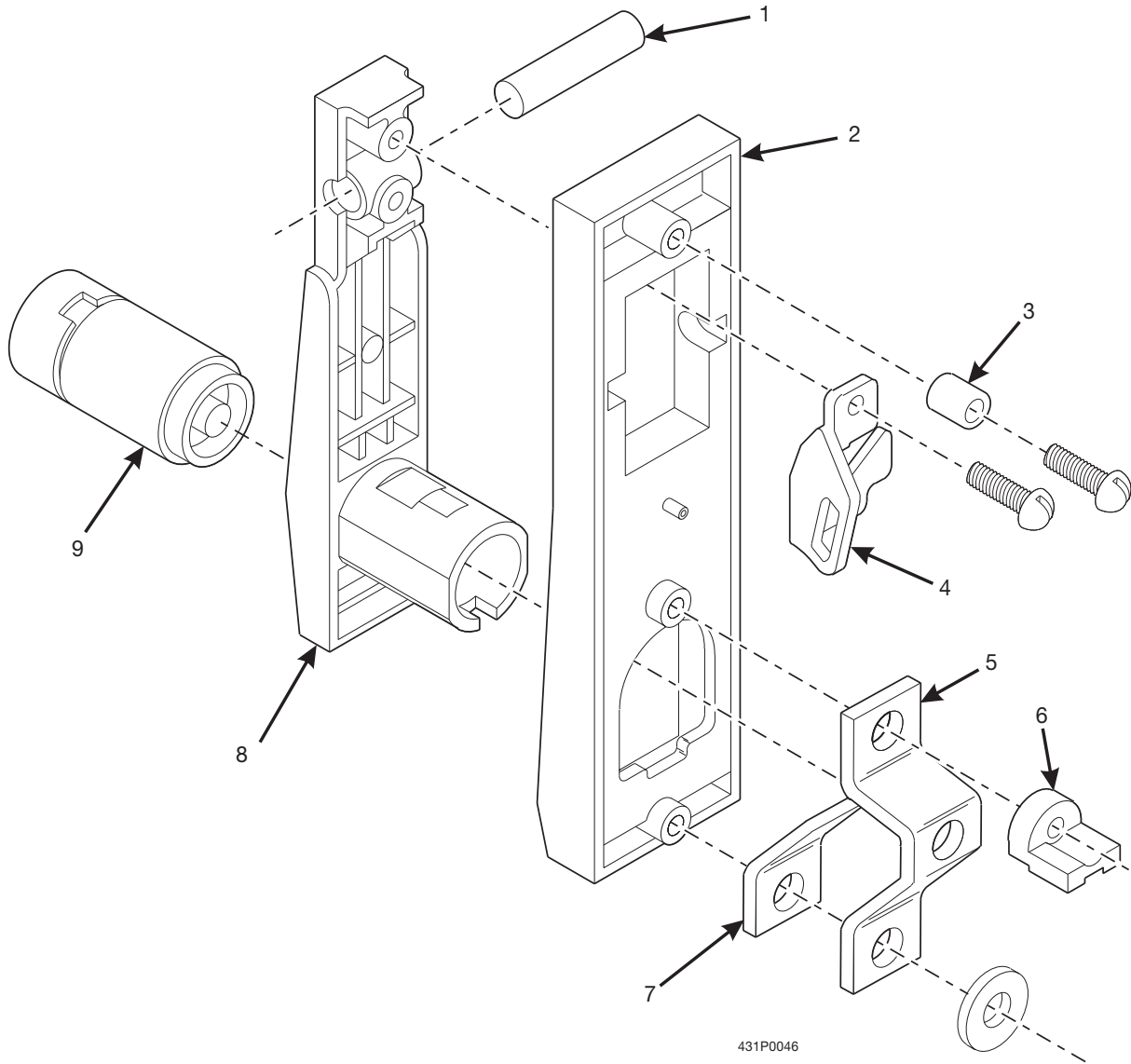


Figure 25. Lift Handle Lock Assembly

TABLE 25. LIFT HANDLE LOCK ASSEMBLY

INDEX	PART NUMBER	DESCRIPTION	QTY
1	1302291	PIVOT LEVER - LOCK	1
2	1172191	BASE LEVER - LOCK	1
	8905011	BASE LEVER - LOCK - BLACK	
3	1302289	SPACER - CUP	1
4	2272052	ACTUATOR ASSEMBLY - LOCK BAR	1
5	1302324	CATCH - DOOR LATCH	1
6	1302326	SHIELD - LATCH	1
7	1302290	LATCH LOCK - LOWER	1
8	1172190	LEVER - LOCK	1
	8905012	LEVER - LOCK - BLACK	
9	9992400	LOCK CYLINDER #4355-19-A	OPT.
	9994000	KEY	
	3112163	CYLINDER - VAN LOCK #4275	
	3112164	KEY - VAN LOCK #K5 - STD. COMBINATION	

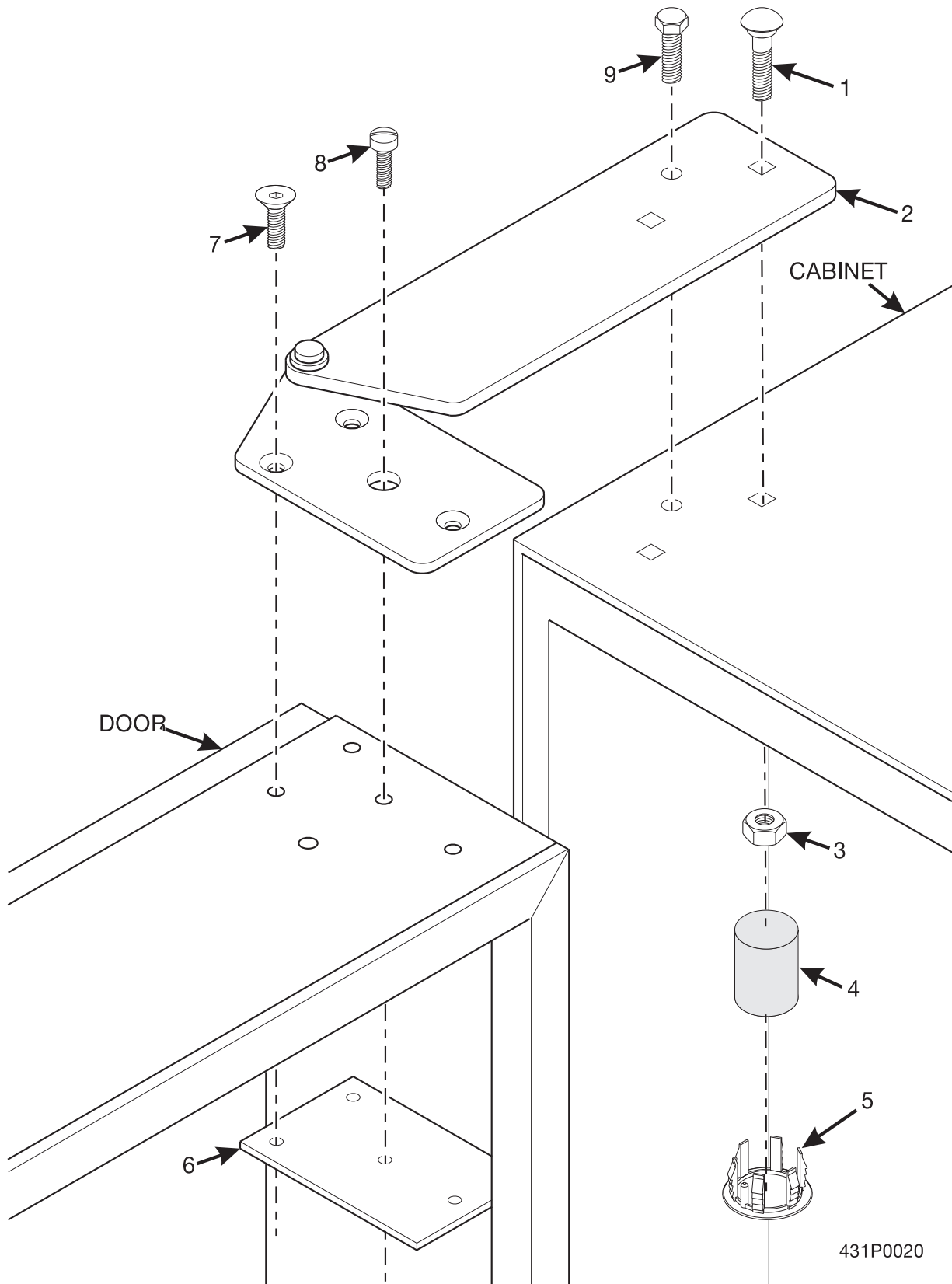


Figure 26. Upper Hinge Assembly

TABLE 26. UPPER HINGE ASSEMBLY

INDEX	PART NUMBER	DESCRIPTION	QTY
1	1171021	5/16 - 18 X 3/4 CARRIAGE BOLT - ZP	2
2	4312006	HINGE ASSEMBLY - DOOR - UPPER (STANDARD)	1
	4312108	HINGE ASSEMBLY - DOOR - UPPER -GRAY (MILLENNIA)	
	4312135	HINGE ASSEMBLY - DOOR - UPPER - SELECTA WHITE (MILLENNIA)	
3	1171022	5/16 - 18 KEPS NUT - CONICAL/SERRATED WASHER	2
4	4301256	INSULATION - HOLE PLUG	2
5	4311096	PLUG - FOAMING HOLE	4
6	4302037	NUT PLATE - UPPER HOUSE	1
7	4311235	SCREW #1/4 - 20 X .75 - FLATHEAD W/ SEMS	5
8	5264629	09126026 SCREW - LOCK - PLATED	1
9	1171052	5/16 - 18 X 3/4 HEX HD - CAP - ZP	1

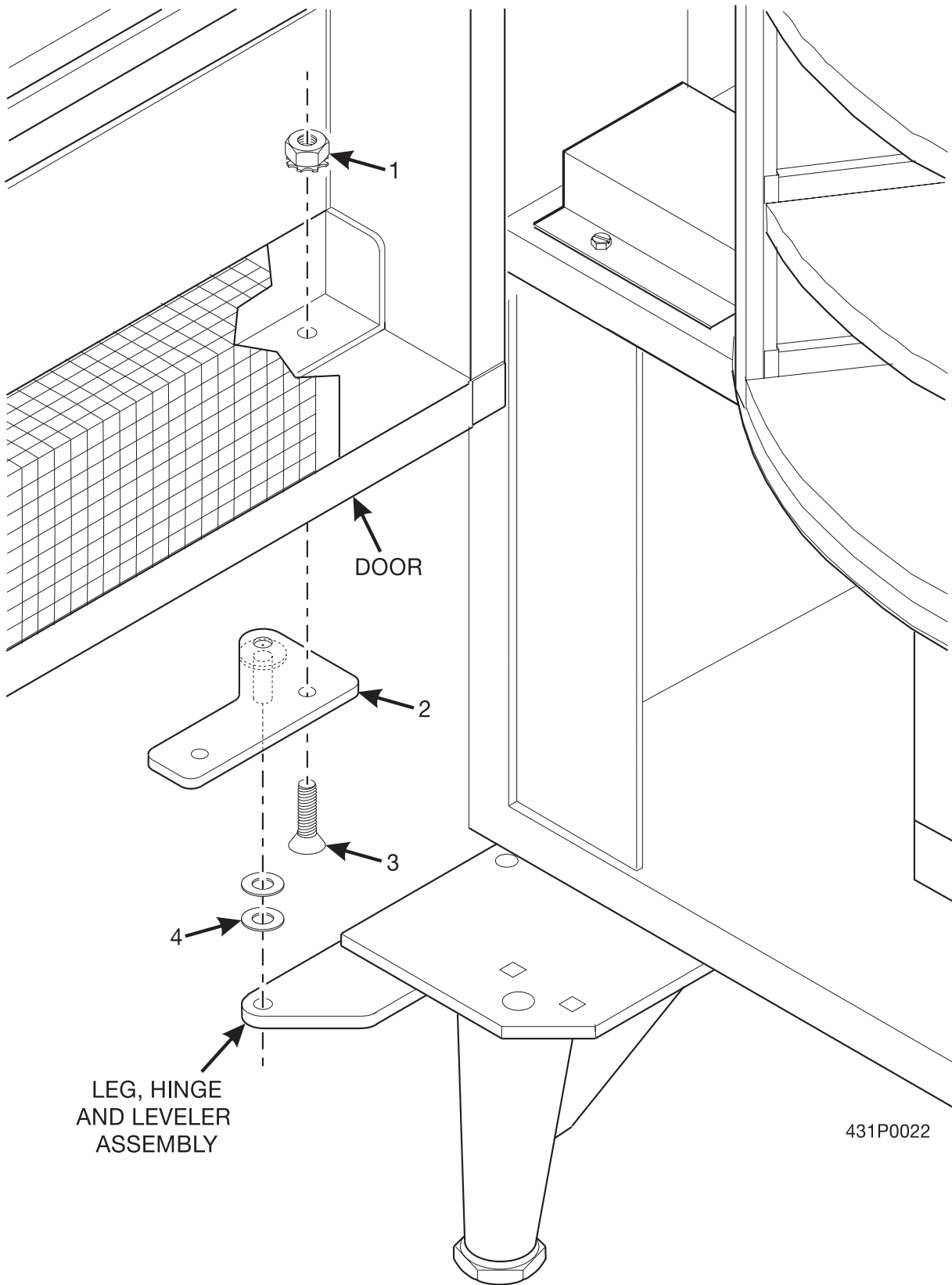


Figure 27. Lower Hinge Assembly

TABLE 27. LOWER HINGE ASSEMBLY

INDEX	PART NUMBER	DESCRIPTION	QTY
1	1211105	1/4 - 20 KEPS NUT - EXT. LW - Z/P	2
2	4312091	HINGE ASSEMBLY - DOOR - LOWER - PAINTED (STANDARD)	1
	4312091	HINGE ASSEMBLY - DOOR - LOWER - GRAY (MILLENNIA)	
3	4311235	SCREW #1/4 - 20 X .75 - FLATHEAD - W/SEMS	2
4	4242145	BEARING - THRUST - LOWER HINGE	2

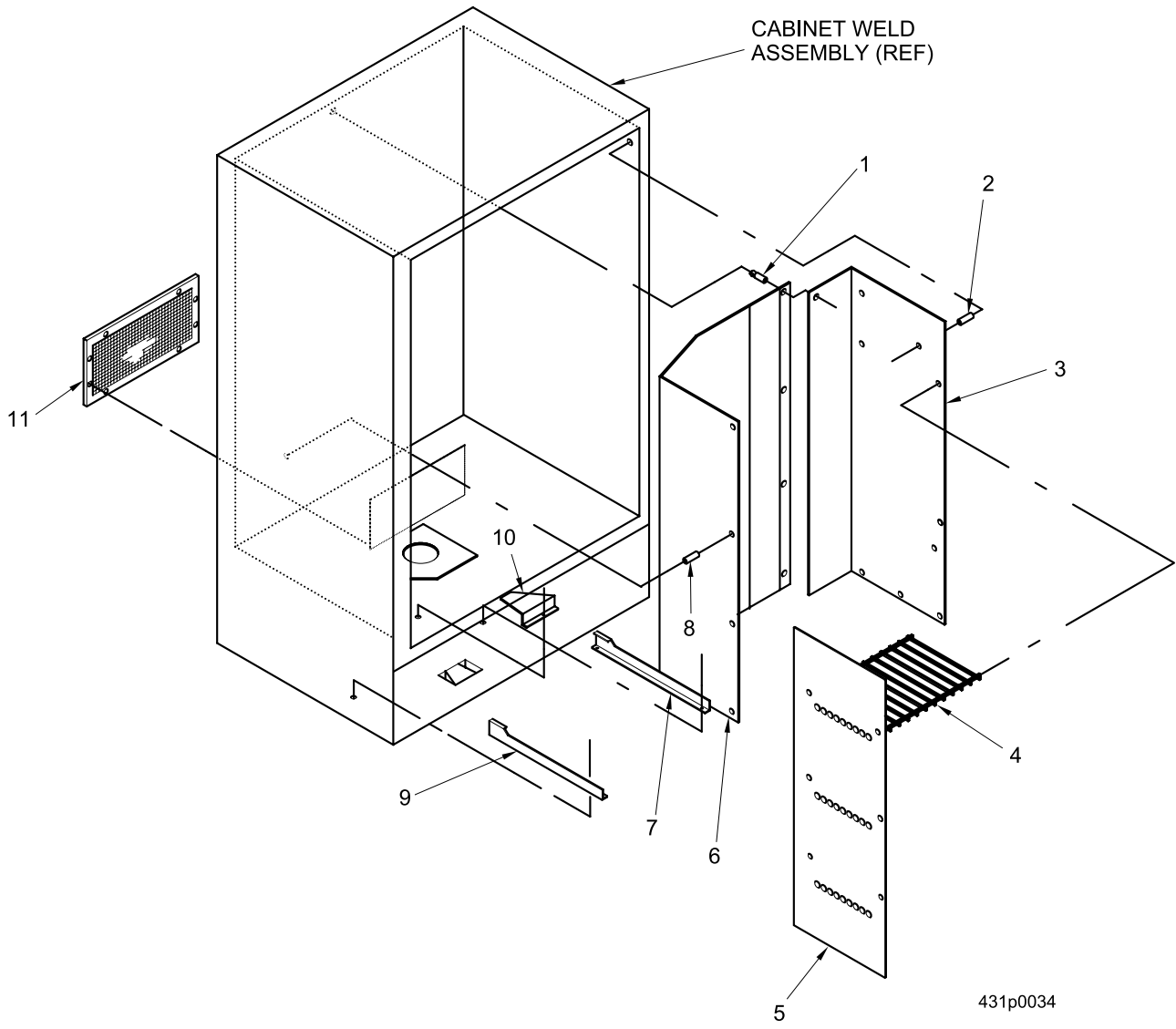


Figure 28. Cabinet Assembly (Part 1)

TABLE 28. CABINET ASSEMBLY (PART 1)

INDEX	PART NUMBER	DESCRIPTION	QTY
1	4311058	GROMMET - DUCT - RETURN AIR - LEFT	4
2	4241160	SPACER - LINER	7
3	4311022	DUCT - RETURN AIR - RIGHT - WHITE	1
	4311156	DUCT - RETURN AIR - RIGHT - BLACK	
4	4301254	SHELF - STORAGE	3
5	4311009	WALL - STORAGE - WHITE	1
	4311175	WALL - STORAGE - BLACK	
6	4311178	DUCT - RETURN AIR - LEFT - WHITE	1
	4311179	DUCT - RETURN AIR - LEFT - BLACK	
7	4314111	RAIL - RIGHT HAND - REFRIGERATION UNIT	1
8	4301230	SPACER - .500 LONG X .50 DIA	8
9	4314110	RAIL - LEFT HAND - REFRIGERATION UNIT	1
10	4301235	COVER - TURRET GEAR - WHITE	1
	4301151	COVER - TURRET GEAR - BLACK	
11	4311042	SCREEN ASSEMBLY - REAR	1

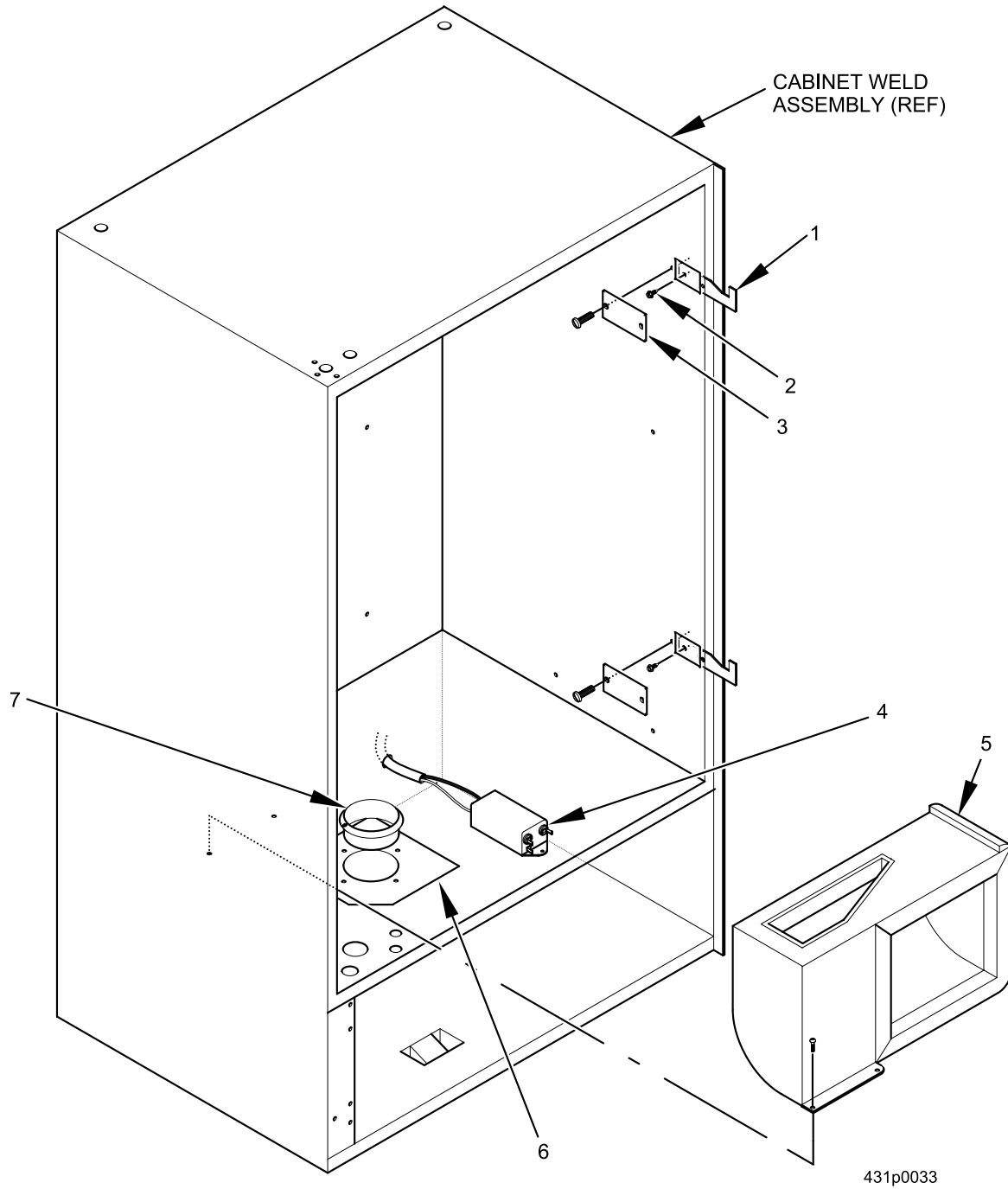
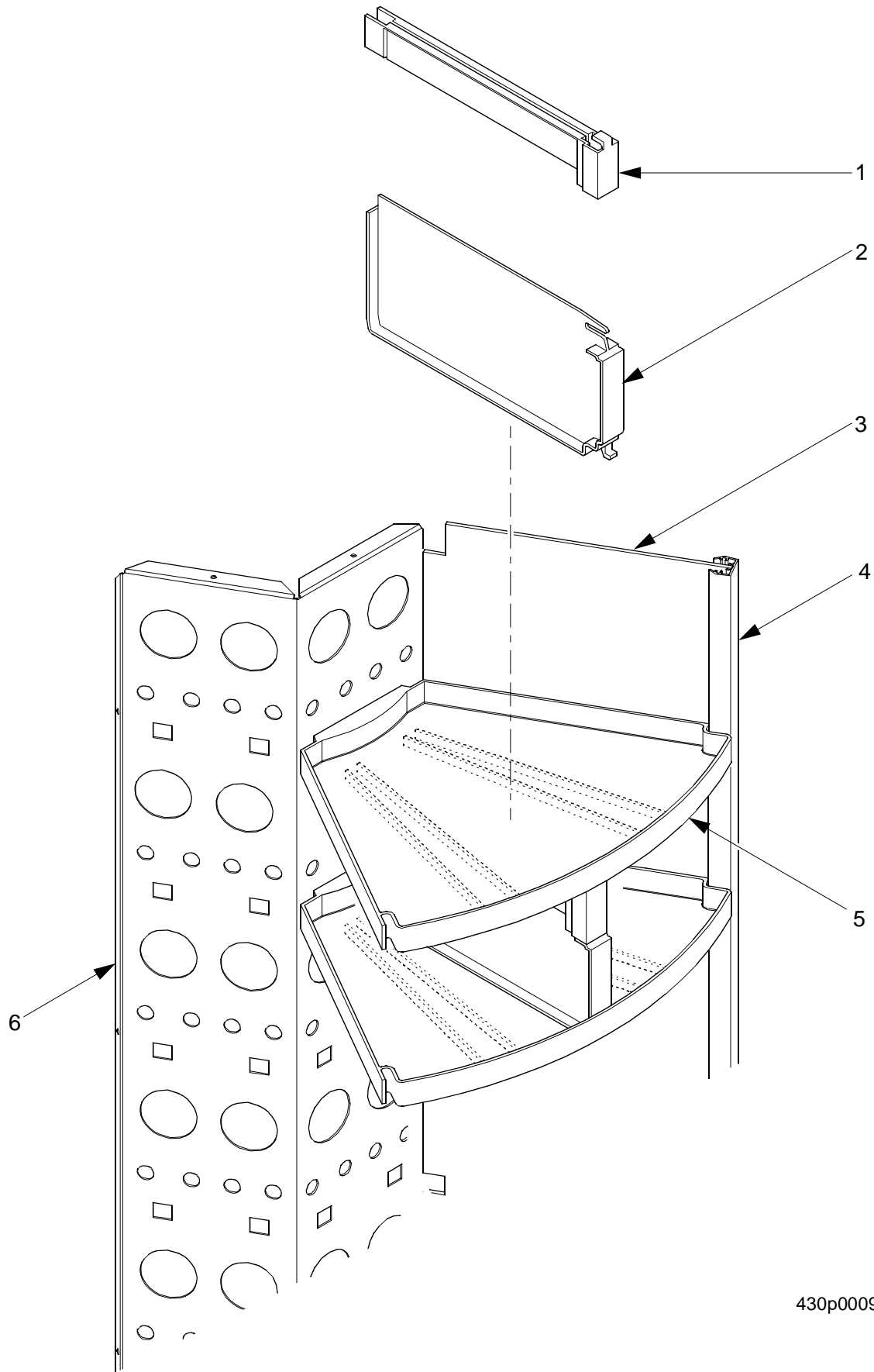


Figure 29. Cabinet Assembly (Part 2)

TABLE 29. CABINET ASSEMBLY (PART 2)

INDEX	PART NUMBER	DESCRIPTION	QTY
1	4301049	LOCK ARM - CABINET	2
2	1141043	#10-32 X 1/2 - NF2- HEX - WASH HD - W/NIBS	4
3	4301216	COVER - CABINET LOCK BAR - WHITE	2
	4301143	COVER - CABINET LOCK BAR - BLACK	
4	9989110	FILTER - POWER LINE - EMI (230V APPLICATIONS)	1
5	4314079	DUCT & SEAL ASSEMBLY - RETURN	1
6	4317004	PLATE - ROLLER - CABINET	1
7	4311054	BEARING - TURRET	1



430p0009

Figure 30. Drum Assembly (Part 1)

TABLE 30. DRUM ASSEMBLY (PART 1)

INDEX	PART NUMBER	DESCRIPTION	QTY
-	4307027	RETAINER - RAIL (NOT SHOWN)	6
1	4307036	RETAINER - SHELF	84
2	4307035	DIVIDER - SHELF	84
3	4307028	WALL - SHELF - WHITE (WHITE DRUM ONLY)	3
	4307009	WALL - SHELF - CLEAR (WHITE DRUM ONLY)	
	4307046	WALL - SHELF - (SMOKED) (BLACK DRUM ONLY)	6
4	4307027	RAIL - TURRET	6
5	4307034	SHELF - PRODUCT	54
6	4317011	PANEL - CENTER - TURRET - BLACK	3
	4317012	PANEL - CENTER - TURRET - WHITE	

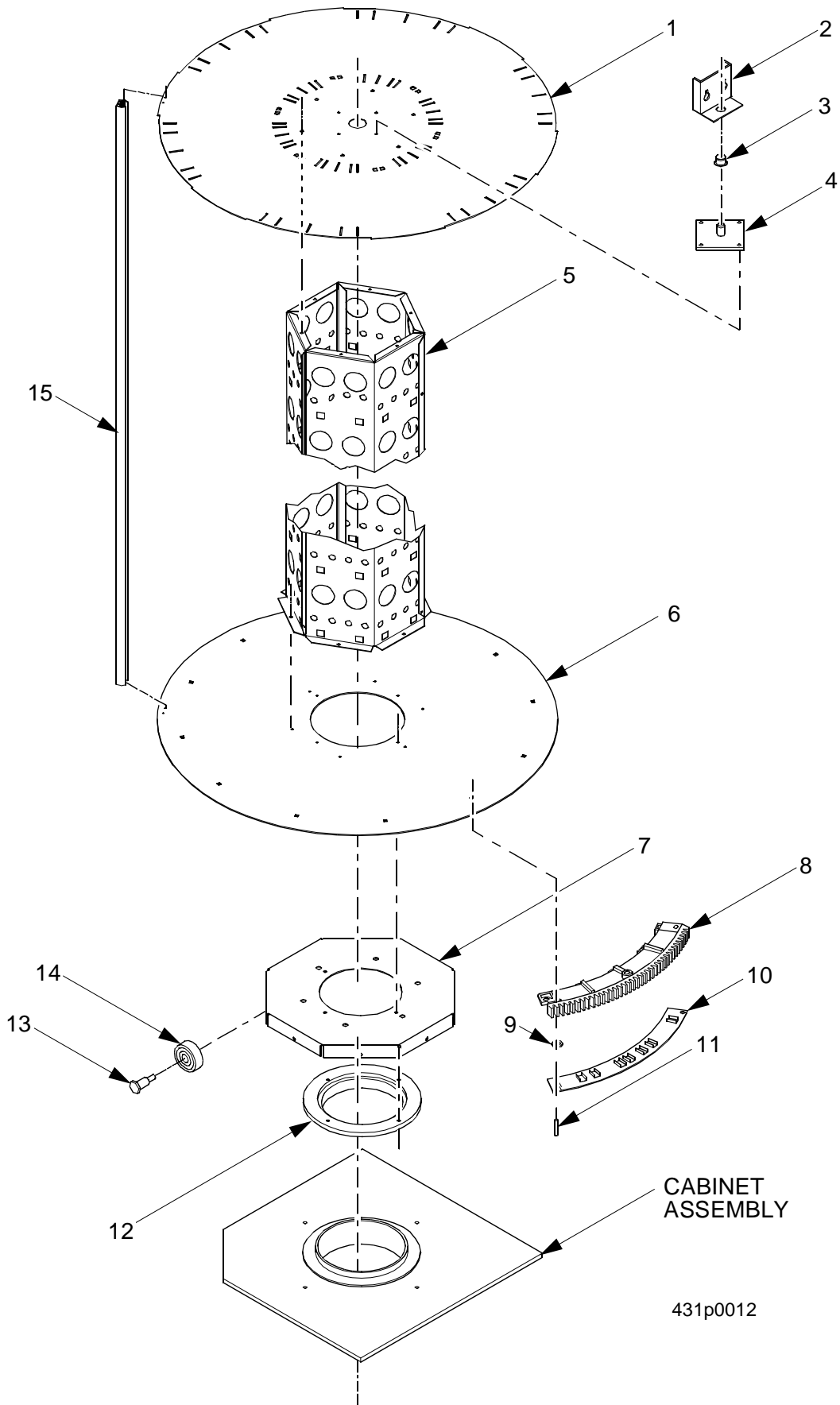


Figure 31. Drum Assembly (Part 2)

TABLE 31. DRUM ASSEMBLY (PART 2)

INDEX	PART NUMBER	DESCRIPTION	QTY
1	4307038	TOP - TURRET - WHITE	1
	4307045	TOP - TURRET - BLACK	
2	4311224	BRACKET- BEARING SUPPORT - TURRET	1
3	4311225	BEARING - FLANGED - OILITE FB810	1
4	4307032	PIN & PLATE ASSEMBLY	1
5	4317007	PANEL - CENTER - TURRET - WHITE	3
	4317005	PANEL - CENTER - TURRET - BLACK	
6	4317006	BASE - TURRET - WHITE	1
	4317002	BASE - TURRET - BLACK	
7	4317003	PLATE - MOUNTING - ROLLER	1
8	4307017	GEAR SEGMENT - TURRET	6
9	5277437	SPACER - NYLON (USED WITH INDEX 13)	1
10	4307018	PLATE - STOP	6
11	4301353	MAGNET - MAGNETIZED	1
12	4311055	LOCATOR - TURRET	1
13	4241264	STUD - TRAY ROLLER	8
14	4307015	ROLLER - TURRET	8
15	4307026	RAIL - TURRET	6

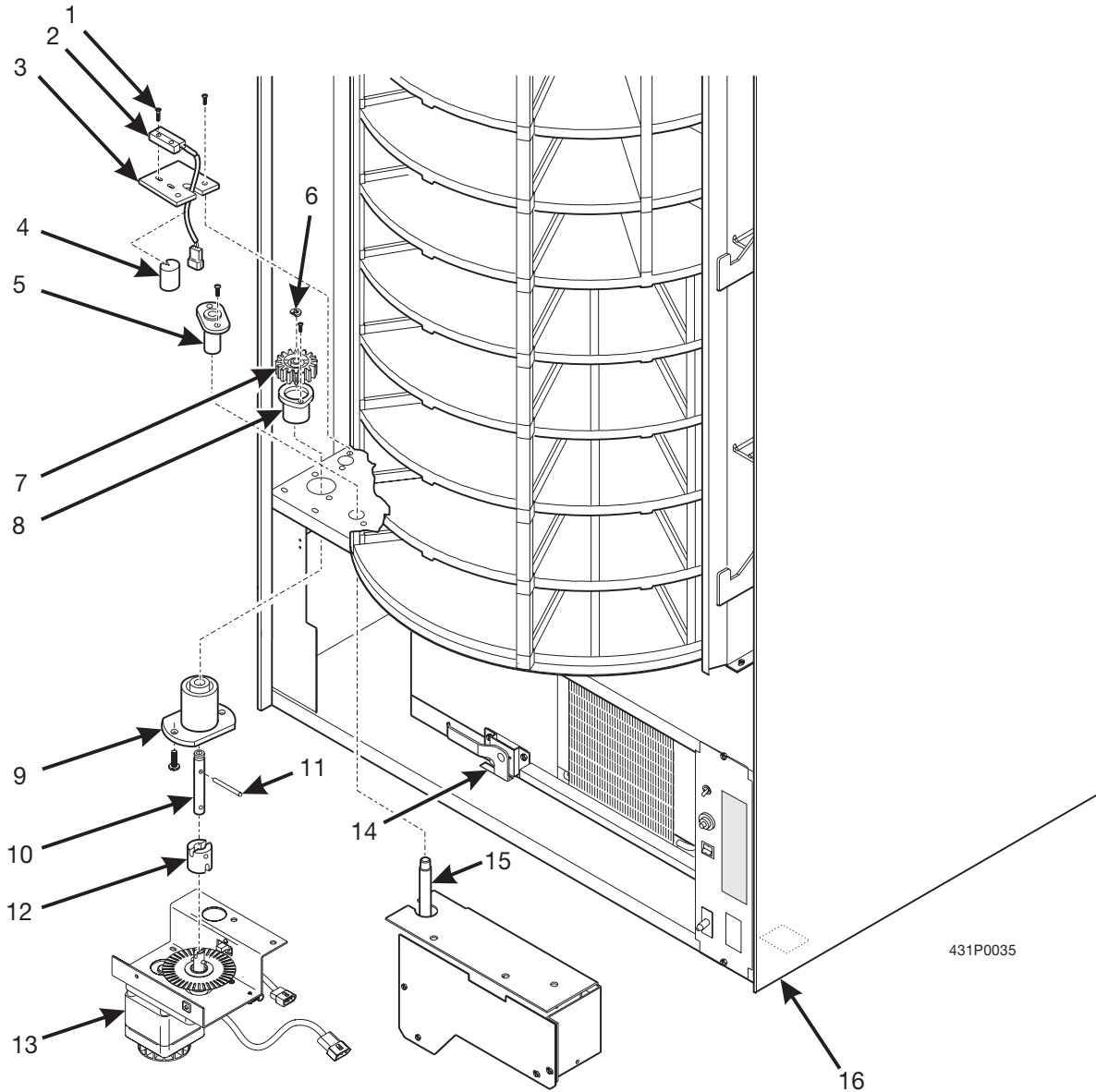


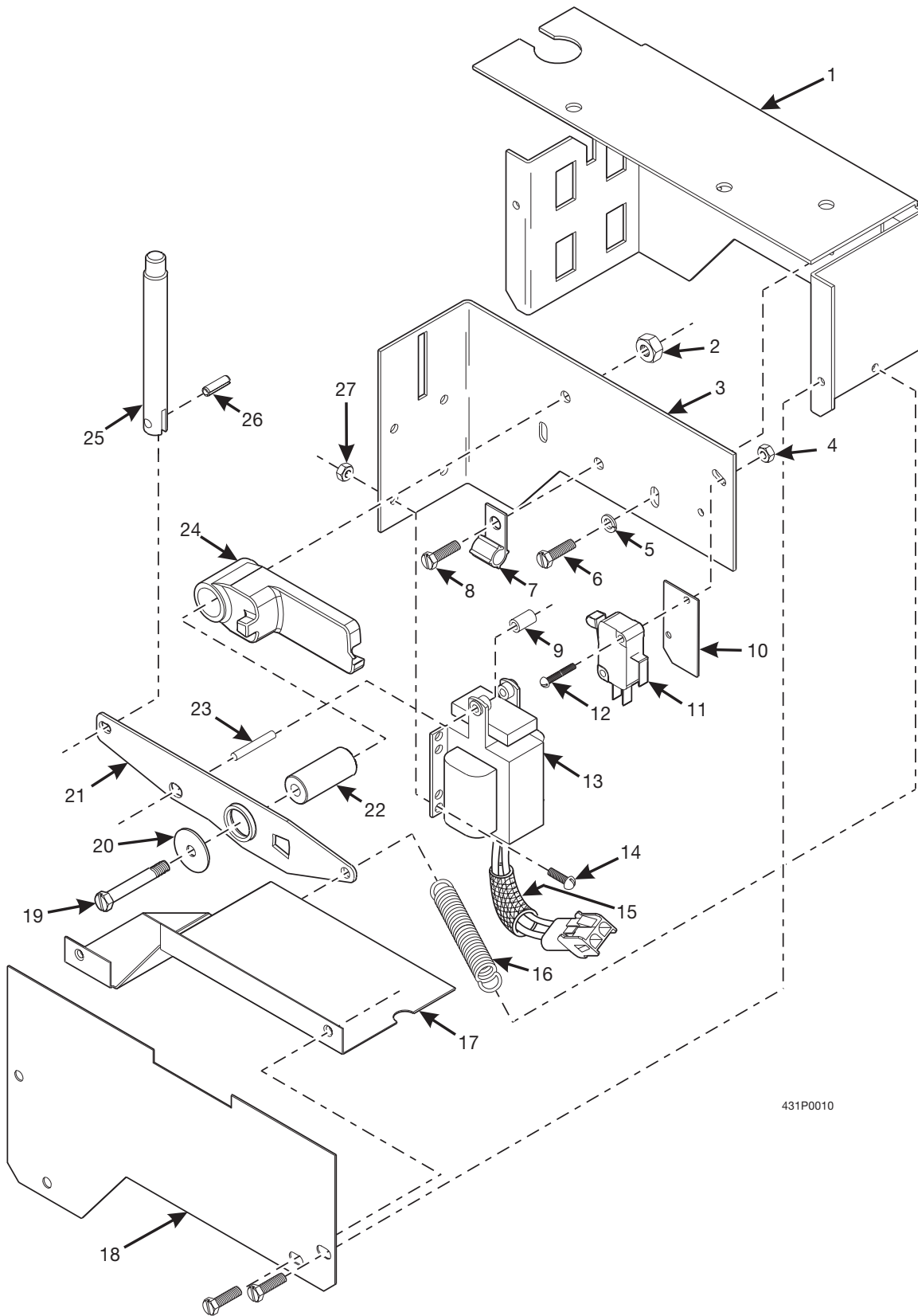
Figure 32. Cabinet Assembly (Part 3)

TABLE 32. CABINET ASSEMBLY (PART 3)

INDEX	PART NUMBER	DESCRIPTION	QTY
1	1212140	SCREW # 4-40 X 1/4 RHS	2
2	4301403	SENSOR - PROXIMITY	1
3	4301351	PLATE - SENSOR	1
4	4301368	INSULATION - 1.00 DIA X 1.62	1
5	4311237	BUSHING - STOP PIN	1
6	9900437	RETAINING RING - RENT. TYPE "E" .375	1
7	4301396	DRIVE GEAR	1
8	4301205	HOUSING - BUSHING	1
9	4301206	BUSHING - DRIVE SHAFT	1
10	4301395	DRIVE SHAFT	1
11	3127034	ROLL PIN 1/8 X 3/16	2
12	4301394	DRIVE - COUPLING	1
13	4311125	DRIVE MOTOR ASSEMBLY - 115V (SEE FIGURE 34)	1
	4311127	DRIVE MOTOR ASSEMBLY - 320V (SEE FIGURE 34)	
14	4111149	LATCH ASSEMBLY	1
15	4311108	STOP PIN/SOLENOID ASSY - 115V (SEE FIGURE 33)	1
	4311109	STOP PIN/SOLENOID ASSY - 230V (SEE FIGURE 33)	
16	4311219	CABINET WELD ASSY. - N.V. BLACK	1
	4311220	CABINET WELD ASSY. - MILLENNIA GRAY	
	4311227	CABINET WELD ASSY. - MIR BLACK	
	4311229	CABINET WELD ASSY. - SELECTA WHITE	

THE FOLLOWING KIT IS ALSO AVAILABLE

4301374	KIT - SENSOR REPLACEMENT (INCLUDES ITEMS 1-4 PLUS MAGNET LOCATED IN ONE OF THE TURRET GEAR SEGMENTS) (SEE FIGURE 31)
---------	--

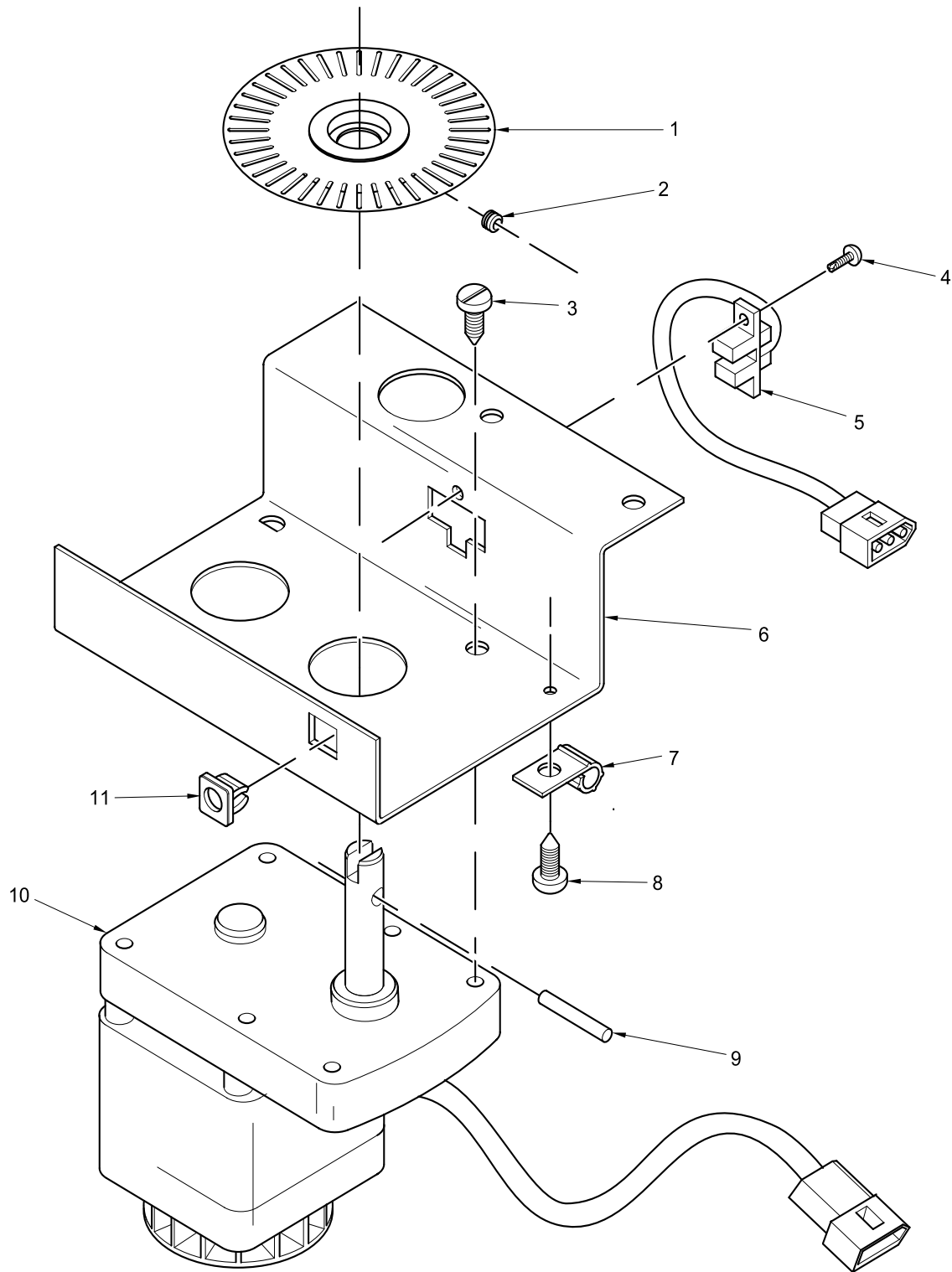


431P0010

Figure 33. Stop Pin / Solenoid Assembly

TABLE 33. STOP PIN / SOLENOID ASSEMBLY

INDEX	PART NUMBER	DESCRIPTION	QTY
-	4311108	STOP PIN / SOLENOID ASSEMBLY - 115V	REF
	4311109	STOP PIN / SOLENOID ASSEMBLY - 230V	
1	4311204	BRACKET - STOP PIN ASSEMBLY	1
2	9900164	NUT #10-32 KEPS ZINC PLATE	1
3	4311080	BRACKET - SOLENOID & SWITCH MTG.	1
4	1217159	4-40 KEPS W/EXT L/WAS H ZP	2
5	9900032	LOCKWASHER #8 SPLIT TYPE ZINC PLATE	2
6	9900106	SCREW #8-32 X 3/8 ACCRN HEX HD - S/T	4
7	2342315	CLIP - WIRE HARNESS	1
8	4245186	SCREW #8-32 X 1/4 PHS T/F	1
9	4301364	BUSHING - RETAINER	1
10	6112042	INSULATOR - SWITCH	1
11	2304109	SWITCH ROLLER LEVER V3L - 139 - D8	1
12	1217160	4 - 40 X 5/8 RHS M SCREW Z/Y	2
13	4311105	SOLENOID ASSEMBLY - 115V	1
	4311106	SOLENOID ASSEMBLY - 230V	
14	9900107	SCREW #6-32 X 5/16 - RHS - W/LKW	4
15	9985327	EXPANDABLE INSULATION	1
16	4311076	SPRING - EXTENSION	1
17	4311079	PLATE - COVER - BOTTOM (NOT PART OF ASSEMBLY)	1
18	4311205	PLATE - COVER (NOT PART OF ASSEMBLY)	1
19	6104411	SCREW #10-32 X 1 1/2 - PHS - N/LKW - STAIN - STL	1
20	6138181	WASHER PLATE	1
21	4311077	LEVER ACTUATOR - SWITCH - DELAY & STOP PIN	1
22	4311075	BUSHING	1
23	4301375	GROOVE PIN - .125 DIA X .875	1
24	4311082	CAM - SWITCH - DELAY	1
25	4311074	PIN - STOP	1
26	6104216	ROLL PIN	1
27	9900078	NUT #6-32 - KEPS - Z/P	4



431p0061

Figure 34. Drive Motor Assembly

TABLE 34. DRIVE MOTOR ASSEMBLY

INDEX	PART NUMBER	DESCRIPTION	QTY
-	4311125	DRIVE MOTOR ASSEMBLY - 115V	REF
	4311127	DRIVE MOTOR ASSEMBLY - 230V	
1	4301525	WHEEL ASSEMBLY - OPTICAL SWITCH	1
2	4301380	SET SCREW #8-32 X 3/16 - CWE PT.	1
3	9900118	SCREW #8-32 X 3/8 PHS	4
4	4271062	SCREW #4-24 X .375 - PH - Z/P - S/T	2
5	4319012	MOTION DETECTOR ASSEMBLY	1
6	4311216	BRACKET - MOTOR - TURRET	1
7	1452139	RETAINER - HARNESS	1
8	4042512	SCREW #8-18 X 1/2 - PHS - TAPPING	1
9	4301375	GROOVE PIN - .125 DIA X .875 LONG	1
10	4311124	MOTOR - REVERSIBLE - 115V	1
	4311126	MOTOR - REVERSIBLE - 230V	
11	4241162	NUT - SPACER - #8 - .062	1

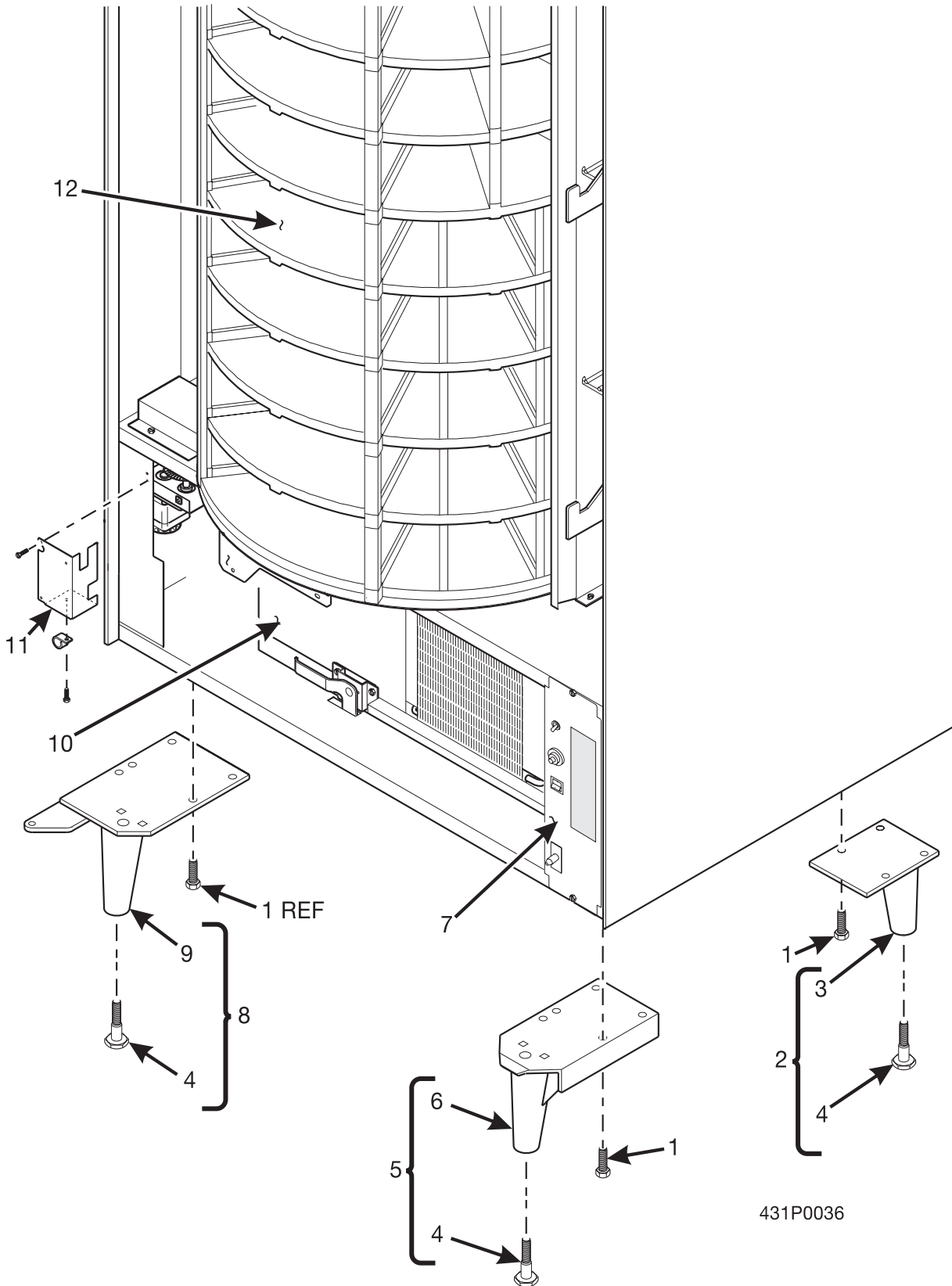
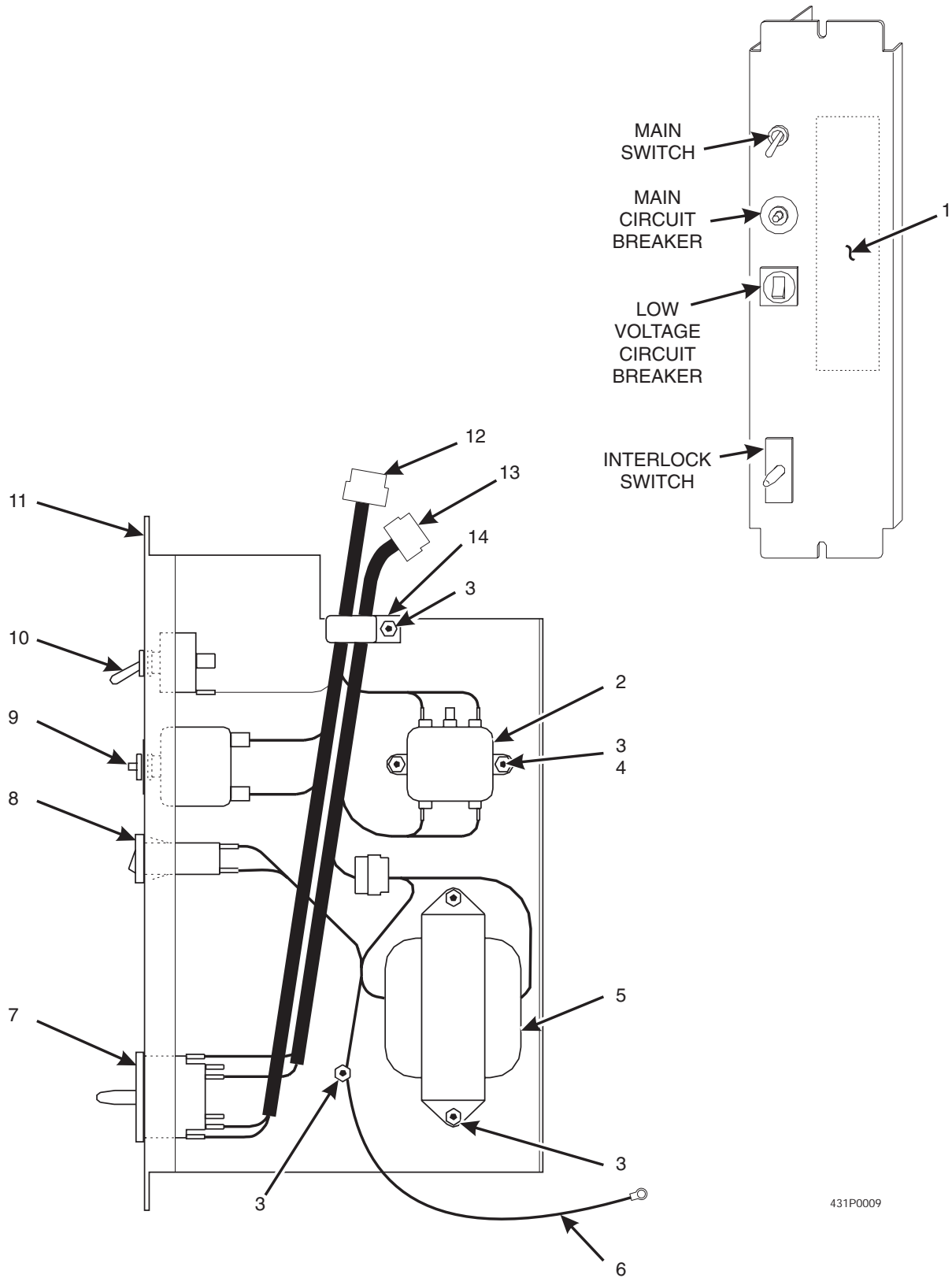


Figure 35. Cabinet Assembly (Part 4)

TABLE 35. CABINET ASSEMBLY (PART 4)

INDEX	PART NUMBER	DESCRIPTION	QTY
1	9900218	SCREW #5/6 X 1 - WITH LOCKING RING	16
2	1171062	LEG & LEVELER ASSY - CABINET (INCLUDES INDEX NUMBERS 3 & 4)	2
3	4311068	LEG ASSEMBLY - CABINET - WELD	1
4	1471098	LEVELER - CABINET	1
5	4301039	LEG & LEVELER ASSEMBLY - RIGHT FRONT INCLUDES INDEX NUMBERS 4 & 6)	1
6	4301045	LEG ASSEMBLY - RIGHT FRONT	1
7	4311171	POWER PANEL ASSEMBLY - 115V (SEE FIGURE 36)	1
	4311173	POWER PANEL ASSEMBLY - UK - 230V (SEE FIGURE 37)	
	4311172	POWER PANEL ASSEMBLY - 230V (SEE FIGURE 38)	
8	4301038	LEG, HINGE & LEVELER ASSY. (INCLUDES INDEX NUMBERS 4 & 9)	1
9	4301041	PLATE ASSEMBLY - LEG & HINGE	1
10	4314120	REFRIGERATION UNIT - 115V - R134A (SEE TABLE 40)	1
	4314122	REFRIGERATION UNIT - 230V - R134A (SEE TABLE 40)	
11	4311180	COVER - DRIVE MOTOR	1
12	4317001	TURRET - STANDARD - WHITE	1
	4317008	TURRET - STANDARD - BLACK	



431P0009

Figure 36. Power Panel Assembly - 115 V

TABLE 36. POWER PANEL ASSEMBLY - 115 V

INDEX	PART NUMBER	DESCRIPTION	QTY
-	4311171	POWER PANEL ASSEMBLY - USA, BRAZIL, SAUDI ARABIA	-
-	9989369	LABLE - N.V. - BLANK	1
1	4311117	LABEL - POWER CONTROL PANEL - 115V - ENGLISH	1
2	9989100	INTERFERENCE FILTER	10
3	9900081	NUT - #8-32 KEPS ZINC PLATE	2
4	1211110	8-32 X 1/4 RHS MACH SCREW ZIP	1
5	9989042	TRANSFORMER - 115V/230V PRIMARY, 24V SECONDARY	1
6	9984094	WIRE - GROUND - 14"	1
7	1211141	SWITCH 2DM4	1
8	9989336	CIRCUIT BREAKER - 3 AMP	1
9	9989673	CIRCUIT BREAKER - 20 AMP	1
10	9984629	SWITCH - TOGGLE - DPST - 20 AMP	1
11	4311168	CONTROL PANEL ASSEMBLY - POWER	1

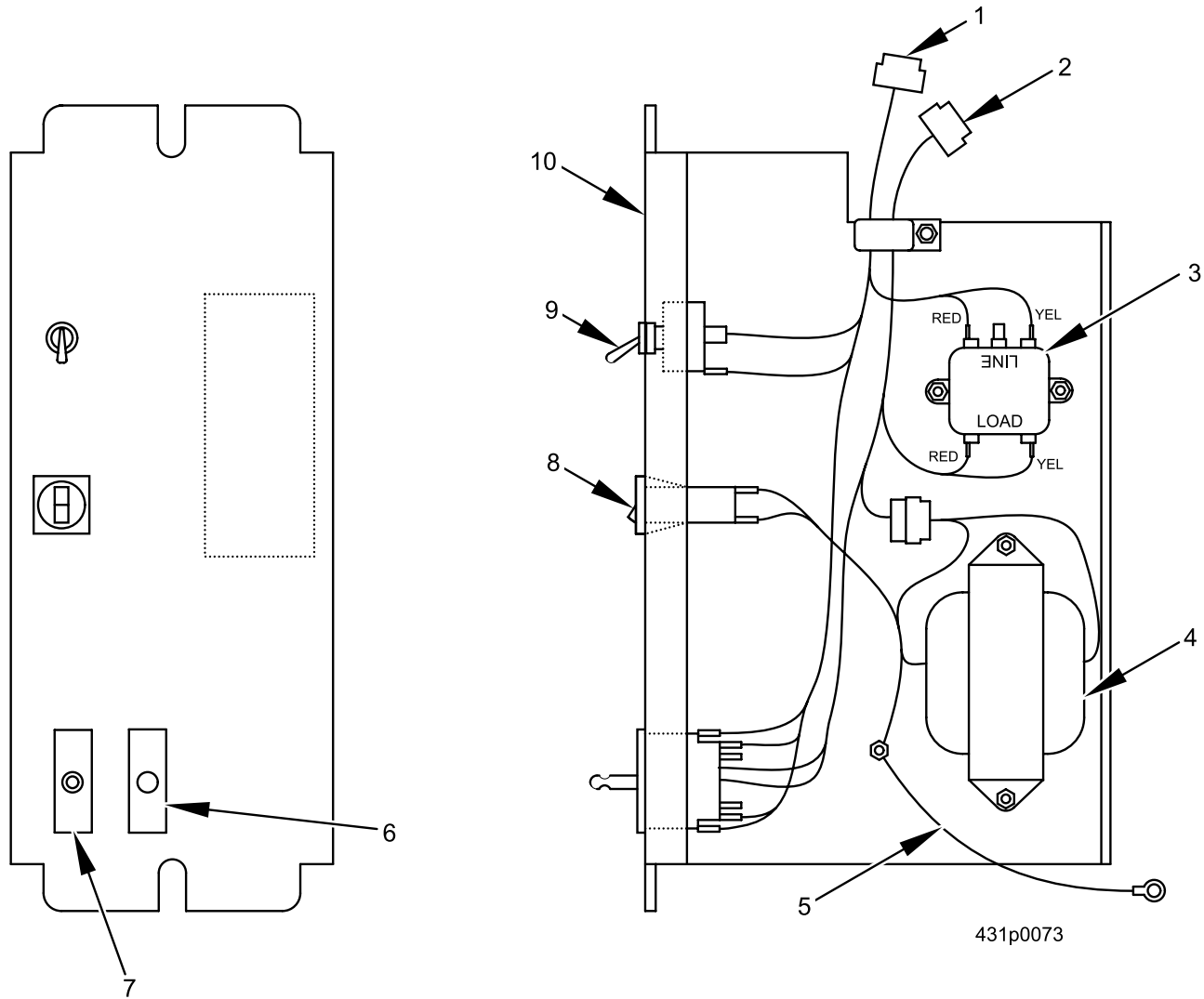


Figure 37. Power Panel Assembly - U.K.

TABLE 37. POWER PANEL ASSEMBLY - U.K.

INDEX	PART NUMBER	DESCRIPTION	QTY
-	4311173	POWER PANEL ASSEMBLY - UK	-
1	4319016	HARNESS - POWER PANEL - 230V	1
2	4319013	HARNESS - POWER PANEL TRANSFORMER - 230V	1
3	9989100	INTERFERENCE FILTER	1
4	9989042	TRANSFORMER - 115V/230V PRIMARY, 24V SECONDARY	1
5	9984165	JUMPER - GROUND WIRE	1
6	2366135	SWITCH - INTERLOCK	1
7	1211141	SWITCH	1
8	9989336	CIRCUIT BREAKER - 3 AMP	1
9	9984629	SWITCH - TOGGLE - DPST - 20 AMP	1
10	4311170	CONTROL PANEL ASSEMBLY - POWER - UK	1

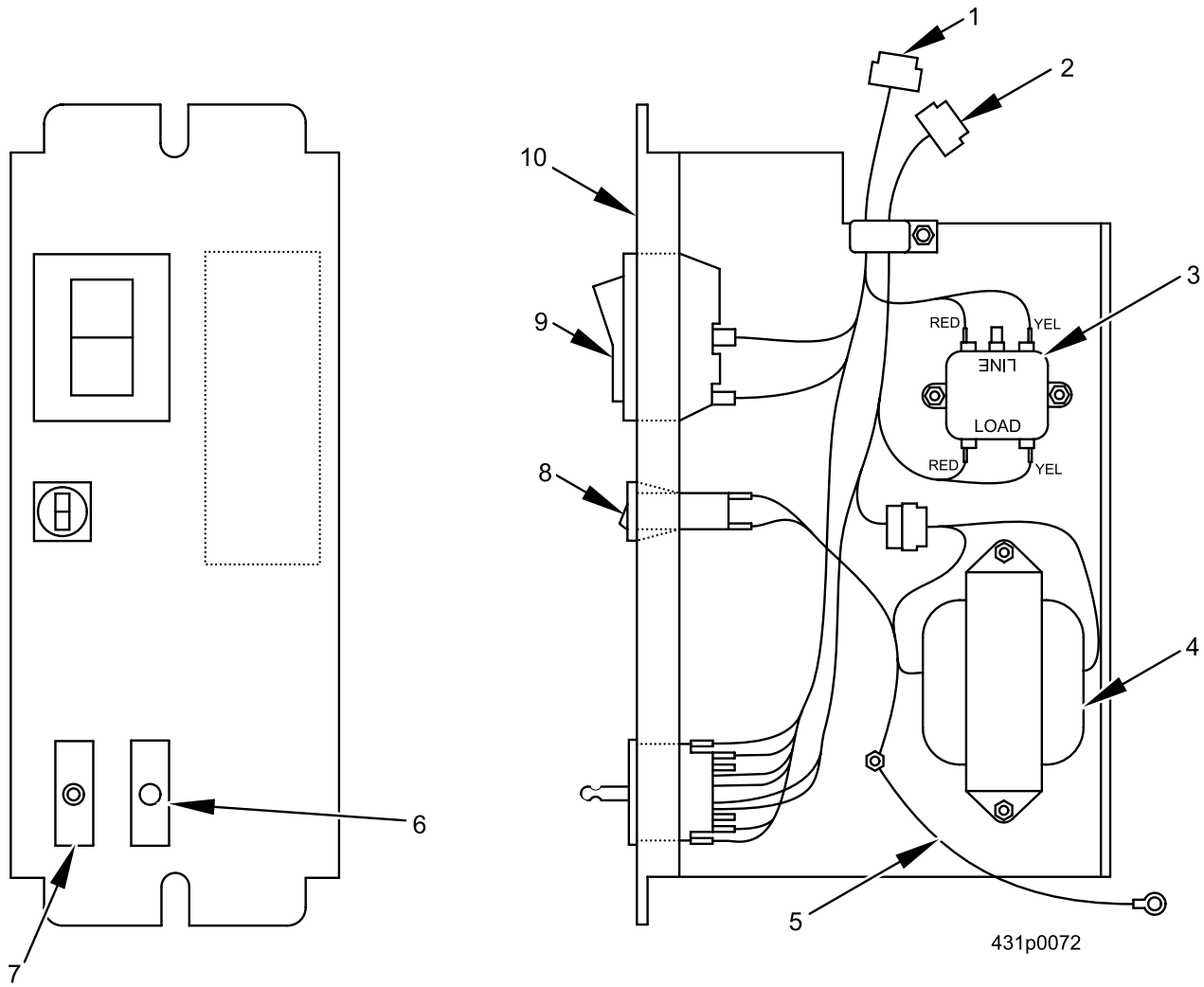
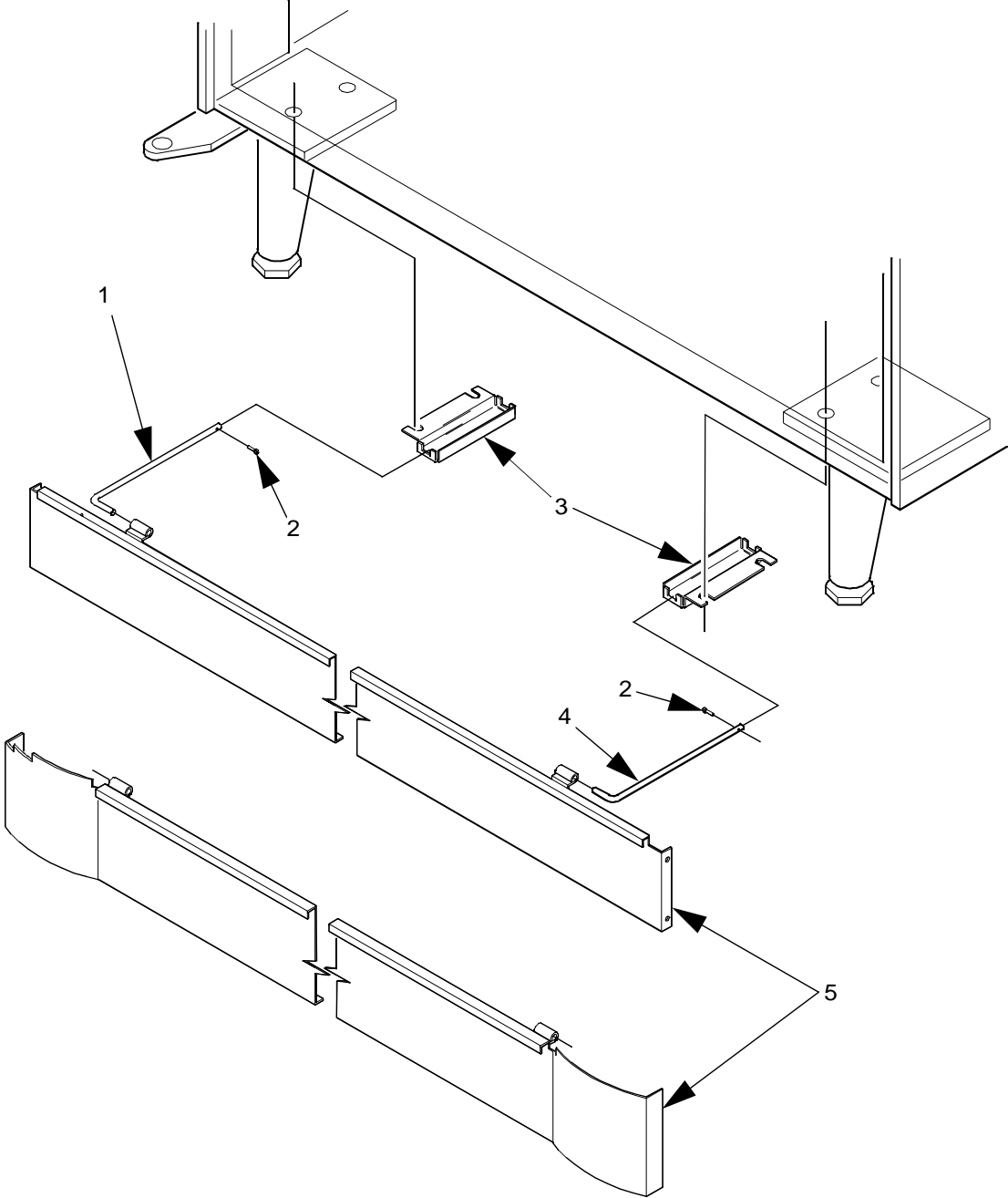


Figure 38. Power Panel Assembly - 230 V

TABLE 38. POWER PANEL ASSEMBLY - 230 V

INDEX	PART NUMBER	DESCRIPTION	QTY
-	4311172	POWER PANEL ASSEMBLY - 230V	-
1	4319016	HARNESS - POWER PANEL - 230V	1
2	4319013	HARNESS - POWER PANEL TRANSFORMER - 230V	1
3	9989100	INTERFERENCE FILTER	1
4	9989042	TRANSFORMER - 115V/230V PRIMARY, 24V SECONDARY	1
5	9984165	JUMPER - GROUND WIRE	1
6	2366135	SWITCH - INTERLOCK	1
7	1211141	SWITCH	1
8	9989336	CIRCUIT BREAKER - 3 AMP	1
9	9984629	SWITCH - TOGGLE - DPST - 20 AMP	1
10	4311170	CONTROL PANEL ASSEMBLY - POWER - UK	1



485p0055

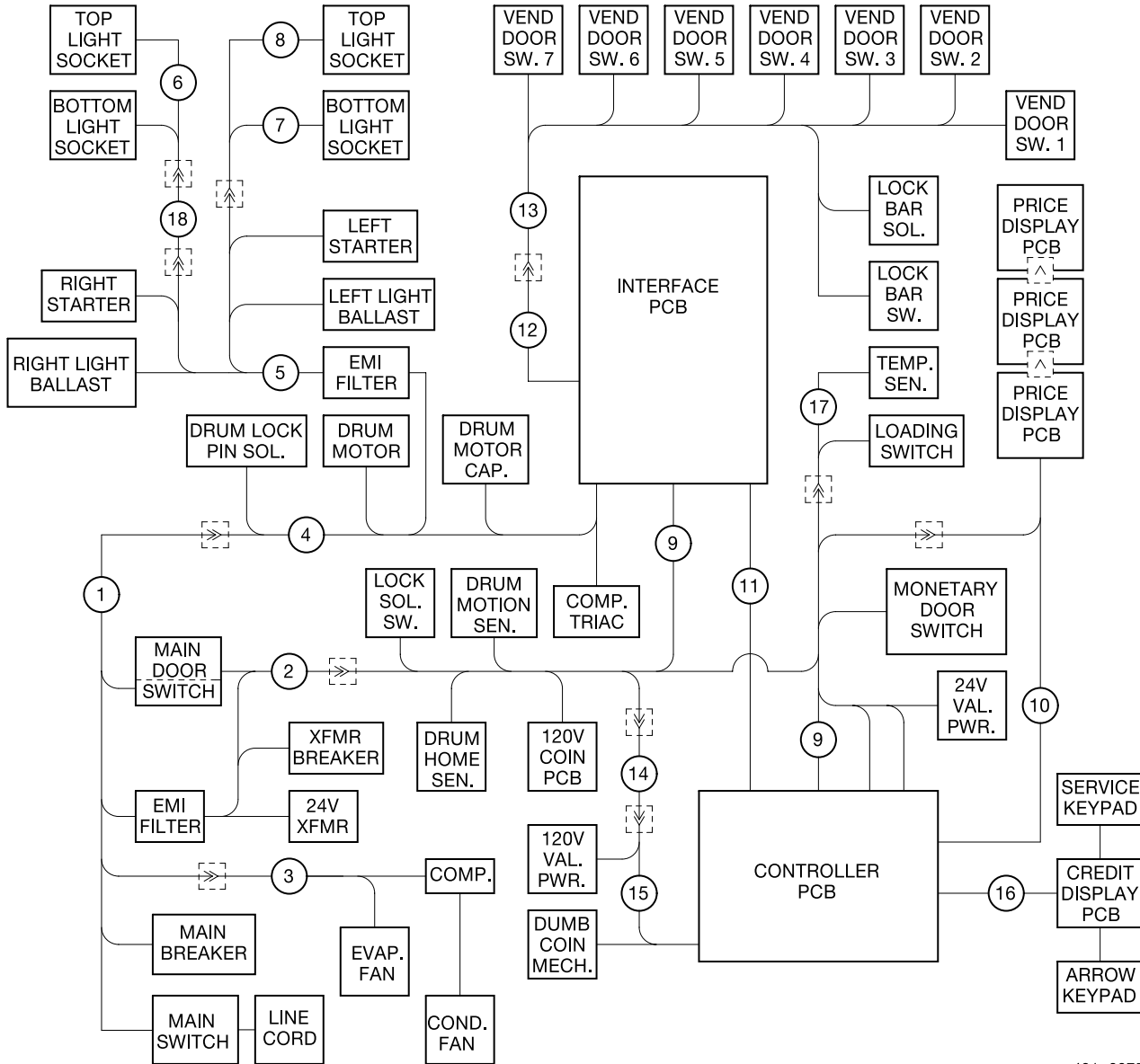
Figure 39. Base Plate Accessory

TABLE 39. BASE PLATE ACCESSORY

INDEX	PART NUMBER	DESCRIPTION	QTY
-	4311194X	BASE PLATE AND ACCESSORY ASSEMBLY - STANDARD - BLACK	REF.
	4311234	BASE PLATE AND ACCESSORY ASSEMBLY - STANDARD - SELECTA WHITE	
	4311232	BASE PLATE AND ACCESSORY ASSEMBLY - STANDARD - MIR BLACK	
	4311190X	BASE PLATE AND ACCESSORY ASSEMBLY - 38" - MILLENNIA	
1	4311193	SLIDE - BASE PLATE - LH	1
2	9900098	COTTER PIN 3/32 X 3/4 LONG	2
3	4311071	BRACKET - BASE PLATE	2
4	4311192	SLIDE - BASE PLATE - RH	1
5	2271408	BASE PLATE ASSEMBLY - HINGED BLACK (STANDARD)	1
	4311231	BASE PLATE ASSEMBLY - HINGED MIR BLACK (STANDARD)	
	4311233	BASE PLATE ASSEMBLY - HINGED SELECTA WHITE (STANDARD)	
	1571161	BASE PLATE ASSEMBLY - 38" MILLENNIA	

TABLE 40. REFRIGERATION COMPONENTS

INDEX	DESCRIPTION	PART NUMBER 115V	PART NUMBER 230V
1	REFRIGERATION UNIT (INCLUDES BUT NOT LIMITED TO INDEX 2-9)	4314120	4314122
2	BLADE - CONDENSER FAN	4314036	4314036
3	COMPRESSOR	4314037	4314055
4	EVAPORATOR	4314097	4314097
5	EVAPORATOR FAN	4314014	4314054
6	CONDENSER	4314034	4314034
7	MOTOR - CONDENSER FAN	4304231	4314089
8	DRIER	4304194	4304194
9	CONDENSATE PAN	4304067	4304067
10	TEMPERATURE SENSOR PROBE	9987852	9987852



431p0075

Figure 41. Wire Harnesses

**TABLE 48. WIRE HARNESES
(USE WITH YOUR WIRING DIAGRAM)**

INDEX	PART NUMBER	DESCRIPTION	COUNTRY CODE (SEE BELOW)												
			A	D	E	F	G	H	L	M	N				
1	4319001	HARNESS - POWER PANEL													
2	4319003	HARNESS - POWER PANEL XFRMR. DOM													
3	4314046	HARNESS - COMPRESSOR													
4	4319024	HARNESS - CABINET AC													
5	4319023	HARNESS - POWER TO FLUORESCENT LIGHT													
6	4319026	HARNESS - FLUORESCENT LIGHT (SEE FIGURE 21)													
7	4302277	HARNESS - LOWER FLUORESCENT LIGHT (SEE FIGURE 20)													
8	4302277	HARNESS - UPPER FLUORESCENT LIGHT (SEE FIGURE 20)													
9	4319005	HARNESS - CABINET - DC													
10	4319007	HARNESS - CONTROLLER TO VERTICAL DISPLAY													
11	4319004	CABLE ASSEMBLY - 16 CONDUCTER													
12	4319014	HARNESS - MECHANISM TO BOARD													
13	4319030	HARNESS - MECHANISM													
14	4319010	HARNESS - POWER TO COIN HANDLING													
15	1579003	HARNESS - COIN MECHANISM													
16	6339017	FLAT CABLE - DISPLAY TO CONTROLLER													
17	4319027	HARNESS - 24V - TEMP & SWITCH													
18	4319025	HARNESS - FLUORESCENT POWER													

HARNESSES NOT SHOWN

-	1679054	HARNESS - MONETARY - MDB													
-	4319013	HARNESS - POWER PANEL XFMR - 230V													
-	4319016	HARNESS - POWER PANEL - 230V													
-	4379050	JUMPER - EXEC. MECH													
-	1475119	JUMPER - GROUND WIRE													
-	9989637	JUMPER - BLOWER													
-	9989577	POWER CORD - EURO PLUG													
-	9984094	WIRE - GROUND - 14													
-	1579028	HARNESS - SERIAL VALIDATOR													
-	1579006	HARNESS - MAKAL PULSE VALIDATOR													
-	1579032	HARNESS - SERIAL VALIDATOR - 24V													
-	1579034	HARNESS FOR BA 30/32 SA - MDB													
-	1579050	HARNESS FOR MDB - CONLUX 2000													
-	1475117	HARNESS - INTERFACE - DEBIT - VAL. - CM.													

COUNTRY CODE DEFINITIONS

**A = ARGENTINA D = USA E = U.K. F = FRANCE G = GERMANY
H = AUSTRALIA, NEW ZEALAND, SWEDEN L = BRAZIL, SAUDI ARABIA M = MEXICO
N = NAVY 220V**

**TABLE 42. WIRE HARNESES
(USE WITH YOUR WIRING DIAGRAM)**

INDEX	PART NUMBER	DESCRIPTION	COUNTRY CODE (SEE BELOW)											
			A	D	E	F	G	H	L	M	N			
-	1579018	HARNESS - DATA PRINTER INTERFACE												
-	1579019	HARNESS - DEX PRINTER INTERFACE												
-	9989631	JUMPER - DEBIT CARD - SHOPPER												
-	9989718	JUMPER - VALIDATOR - 24V												
-	4305080	CABLE ASSEMBLY - RIBBAY												
-	9989781	CARD SET - POLARIZED - GROUNDED												
-	9989116	JUMPER - EMI FILTER - 25												
-	9989576	POWER CORD - W/BSI PLUG												

COUNTRY CODE DEFINITIONS

A = ARGENTINA D = USA E = U.K. F = FRANCE G = GERMANY
H = AUSTRALIA, NEW ZEALAND, SWEDEN L = BRAZIL, SAUDI ARABIA M = MEXICO
N = NAVY 220V

TABLE 43. BAG ASSEMBLY B4310000 - US

PART NUMBER	DESCRIPTION	QTY
WD431007	WIRING DIAGRAM - 431 SHOPPER - 120V	1
1475094	LABEL - INSTR - ALT \$1 & \$5 - EXT.	1
4302195	DECAL - INSTRUCTIONS	1
4302230	DECAL - TRAY PRICE	1
4310078	LIST - BAG ASSY B4310000 - CONTE	1
4310101	OPERATOR'S GUIDE - SHOPPERTRON	1

TABLE 44. BAG ASSEMBLY B4310005 - NEW ZEALAND

PART NUMBER	DESCRIPTION	QTY
WD431008	W.D. - 431 SHOPPER - 230V	1
1575083	COIN CHUTE & BRACKET ASSEMBLY	1
1575086	INSTR.SHEET - COIN CHUTE & BRK	1
4302195	DECAL - INSTRUCTIONS	1
4302230	DECAL - TRAY PRICE	1
4310073	LIST - BAG ASSEMBLY B4310005 - CONTE	1
4310101	OPERATOR'S GUIDE - SHOPPERTRON	1

TABLE 45. BAG ASSEMBLY B4310008 - NAVY - 220 V

PART NUMBER	DESCRIPTION	QTY
WD431008	W.D. - 431 SHOPPER - 230V	1
4302195	DECAL - INSTRUCTIONS	1
4302230	DECAL - TRAY PRICE	
4310101	OPERATOR'S GUIDE - SHOPPERTRON	1

TABLE 46. BAG ASSEMBLY B4310002 - FRANCE

PART NUMBER	DESCRIPTIONS	QTY
WD431008	W.D. - 431 SHOPPER - 230V	1
4302248	LABEL - INSTR - SHOPPERTRON - FR.	
4302230	DECAL - TRAY PRICE	1
4310045	SPECIAL INSTRUCTIONS - CE - FREN	1
4310076	LIST - BAG ASSEMBLY B4310002 - CONTE	1
4310101	OPERATOR'S GUIDE - SHOPPERTRON	1

TABLE 47. BAG ASSEMBLY B4310003 - GERMANY

PART NUMBER	DESCRIPTION	QTY
WD431008	W.D. - 431 SHOPPER - 230V	1
4302195	DECAL - INSTRUCTIONS	1
4302230	DECAL - TRAY PRICE	1
4310047	SPECIAL INSTRUCTIONS - CE - GERM	1
4310075	LIST - BAG ASSEMBLY B4310003 - CONTE	1
4310101	OPERATOR'S GUIDE - SHOPPERTRON	1

TABLE 48. BAG ASSEMBLY B4310001 - SWEDEN

PART NUMBER	DESCRIPTION	QTY
WD431008	W.D. - 431 SHOPPER - 230V	1
4312052	DECAL - INSTRUCTIONS - SWEDEN	1
4302230	DECAL - TRAY PRICE	1
4310077	LIST - BAG ASSEMBLY B4310001 - CONTE	1
4310101	OPERATOR'S GUIDE - SHOPPERTRON	1

TABLE 49. BAG ASSEMBLY B4310004 - ARGENTINA

PART NUMBER	DESCRIPTION	QTY
WD431008	W.D. - 431 SHOPPER - 230V	1
4302195	DECAL - INSTRUCTIONS	1
4302230	DECAL - TRAY PRICE	1
4310046	SPECIAL INSTRUCTIONS - CE - SPAN	1
4310074	LIST - BAG ASSEMBLY B4310004	1
4310101	OPERATOR'S GUIDE - SHOPPERTRON	1

TABLE 50. BAG ASSEMBLY B4310006 - BRAZIL

PART NUMBER	DESCRIPTION	QTY
WD431007	W.D. - 431 SHOPPER - 120V	1
4302376	DECAL - INSTRUCTIONS - PORTUGAL	1
4302230	DECAL - TRAY PRICE	1
4310092	LIST - BAG ASSEMBLY B4310006	1
4310101	OPERATOR'S GUIDE - SHOPPERTRON	1

TABLE 51. BAG ASSEMBLY B4310007 - SAUDI ARABIA

PART NUMBER	DESCRIPTION	QTY
WD431007	W.D. - 431 SHOPPER - 120V	1
4302195	DECAL - INSTRUCTIONS	1
4302230	DECAL - TRAY PRICE	1
4310101	OPERATOR'S GUIDE - SHOPPERTRON	1

Part Number Index

PART NO.....	PAGE	PART NO.....	PAGE	PART NO.....	PAGE
	Numerics	1572119.....	5	4255026.....	27
1101906.....	25	1572124.....	5	4271062.....	67
1122521.....	25	1572127.....	5	4301038.....	69
1141043.....	57	1572128.....	4	4301039.....	69
1141057.....	37	1572131.....	5	4301041.....	69
1171021.....	51	1572134.....	5	4301045.....	69
1171022.....	51	1572137.....	5	4301049.....	57
1171052.....	51	1572142.....	5	4301143.....	57
1171062.....	69	1572145.....	5	4301151.....	55
1172190.....	49	1572150.....	5	4301205.....	63
1172191.....	49	1572153.....	5	4301206.....	63
1211105.....	53	1572158.....	5	4301216.....	57
1211110.....	71	1572161.....	5	4301230.....	55
1211141.....	71, 73, 75	1572164.....	5	4301235.....	55
1212117.....	27	1575083.....	81	4301254.....	55
1212140.....	63	1575086.....	81	4301256.....	51
1217159.....	65	1579003.....	79	4301351.....	63
1217160.....	65	1579006.....	33, 79	4301353.....	61
1272039.....	27	1579018.....	80	4301364.....	65
1272044.....	27	1579019.....	80	4301368.....	63
1272131.....	27	1579028.....	33, 79	4301374.....	63
1272132.....	27	1579032.....	33, 79	4301375.....	65, 67
1302289.....	49	1579034.....	79	4301380.....	67
1302290.....	49	1579050.....	79	4301394.....	63
1302291.....	49	1599050.....	33	4301395.....	63
1302324.....	49	1679054.....	79	4301396.....	63
1302326.....	49	2271408.....	77	4301403.....	63
1302476.....	3	2272052.....	49	4301525.....	67
1302478.....	3	2302053.....	27	4302022.....	25
1302479.....	3	2302227.....	17	4302029.....	21
1402014.....	47	2304109.....	65	4302030.....	19
1451334.....	35	2342092.....	53	4302032.....	35
1452139.....	67	2342315.....	65	4302034.....	19
1452191.....	47	2366135.....	73, 75	4302035.....	23
1452225.....	4	3112163.....	49	4302036.....	21
1452359.....	33	3112164.....	49	4302037.....	51
1471098.....	69	3127034.....	63	4302039.....	35, 37
1472222.....	27	3152447.....	4	4302040.....	37
1472223.....	27	3152573.....	4	4302049.....	35
1472251.....	29	4031149.....	39, 41	4302050.....	37
1475094.....	81	4031150.....	45	4302055.....	35
1475099.....	29	4041057.....	25	4302069.....	41
1475108.....	33	4042512.....	67	4302078.....	9
1475117.....	79	4076510.....	17	4302079.....	9
1475119.....	39, 79	4076515.....	47	4302086.....	39, 41
1571034.....	35, 45	4111149.....	63	4302090.....	35
1571035.....	45	4241135.....	45	4302093.....	41
1571161.....	77	4241160.....	55	4302097.....	23
1572102.....	5	4241162.....	67	4302098.....	23
1572104.....	5	4241235.....	47	4302105.....	15
1572107.....	5	4241264.....	61	4302106.....	19
1572110.....	5	4242145.....	53	4302109.....	7
1572113.....	5	4245186.....	65	4302115.....	3
1572116.....	5	4252029.....	17	4302117.....	15

Shoppertron Parts Manual

PART NO.	PAGE	PART NO.	PAGE	PART NO.	PAGE
4302118.....	15	4302390.....	19	4310045.....	81
4302119.....	9	4302396.....	39, 41	4310046.....	82
4302120.....	13	4302398X.....	41	4310047.....	82
4302121.....	3	4302407.....	15	4310073.....	81
4302124.....	3	4302408.....	25	4310074.....	82
4302129.....	7	4302415.....	4	4310075.....	82
4302136.....	19	4302569.....	41	4310076.....	81
4302143.....	23	4302642.....	41	4310077.....	82
4302144.....	25	4302646.....	15, 41	4310078.....	81
4302145.....	15	4302647.....	15, 41	4310092.....	82
4302163.....	25	4304067.....	77	4310101.....	81, 82
4302181.....	19	4304194.....	77	4311009.....	55
4302187X.....	41	4304231.....	77	4311011.....	41
4302191.....	25	4305011.....	27	4311012.....	41
4302195.....	81, 82	4305016.....	27	4311022.....	55
4302222.....	15	4305019.....	27	4311042.....	55
4302223.....	17	4305026.....	47	4311054.....	57
4302224.....	17	4305027.....	27	4311055.....	61
4302230.....	81, 82	4305043.....	35	4311058.....	55
4302236.....	7	4305048X.....	27	4311068.....	69
4302237.....	25	4305050.....	47	4311071.....	77
4302245.....	41	4305052.....	4	4311074.....	65
4302248.....	81	4305062.....	47	4311075.....	65
4302269.....	15	4305069.....	29	4311076.....	65
4302272.....	3	4305071.....	29	4311077.....	65
4302274.....	3	4305074.....	4	4311079.....	65
4302275.....	7	4305077.....	29	4311080.....	65
4302276.....	39	4305080.....	80	4311082.....	65
4302277.....	39, 79	4305084.....	4	4311095.....	45
4302280.....	3	4305088.....	27	4311096.....	51
4302281.....	3	4305100.....	4	4311108.....	63, 65
4302282.....	3	4305101.....	4	4311109.....	63, 65
4302283.....	4	4305105.....	27	4311114.....	65
4302284.....	4	4305112.....	4	4311115.....	65
4302285.....	4	4305113.....	4	4311117.....	71
4302286.....	4	4305114.....	27	4311124.....	67
4302287.....	4	4305131.....	27	4311125.....	63, 67
4302288.....	4	4305138.....	4	4311126.....	67
4302290.....	4	4305140.....	4	4311127.....	63, 67
4302315.....	17	4305141.....	4	4311139.....	45
4302316.....	17	4305142.....	4	4311156.....	55
4302318.....	17	4305144.....	4	4311168.....	71
4302319.....	17	4305145.....	4	4311170.....	73, 75
4302320.....	17	4307009.....	59	4311171.....	69, 71
4302324.....	17	4307015.....	61	4311172.....	69, 75
4302329.....	17	4307017.....	61	4311173.....	69, 73
4302332.....	17	4307018.....	61	4311175.....	55
4302338.....	17	4307026.....	61	4311178.....	55
4302339.....	17	4307027.....	59	4311179.....	55
4302345.....	17	4307028.....	59	4311180.....	69
4302348.....	17	4307032.....	61	4311190X.....	77
4302350.....	17	4307034.....	59	4311192.....	77
4302354.....	79	4307035.....	59	4311193.....	77
4302360.....	17	4307036.....	59	4311194X.....	77
4302373.....	4	4307038.....	61	4311204.....	65
4302376.....	82	4307045.....	61	4311205.....	65
4302385.....	21	4307046.....	59	4311216.....	67

PART NO.	PAGE	PART NO.	PAGE	PART NO.	PAGE
4311219	63	4312221	21	4319014	79
4311220	63	4312222	21	4319016	73, 75, 79
4311224	61	4312223	21	4319023	79
4311225	61	4312227	13	4319024	79
4311227	63	4312228	13	4319025	79
4311229	63	4314014	77	4319026	41, 79
4311231	77	4314034	77	4319027	79
4311232	77	4314036	77	4379050	79
4311233	77	4314037	77	4602124	3
4311234	77	4314043	4	4605010	4
4311235	51, 53	4314046	79	5201091	17
4311237	63	4314054	77	5202048	45
4312006	51	4314055	77	5264629	51
4312008	45	4314079	57	5277437	61
4312010	43	4314089	77	5307321	35
4312011	43	4314097	77	5900094	35
4312015	43	4314110	55	5900096	35
4312016	43	4314111	55	5900097	35
4312017	45	4314120	69, 77	5900112	35
4312028	5	4314122	69, 77	5900116	35
4312033	5	4315001	29	5900192	35
4312048	5	4315003	29	5900194	33
4312049	5	4315007	35	5900206	33
4312050	43	4315012	27	5900209	35
4312052	82	4315013	27	5900211	33
4312057	25	4315014	27	5900213	35
4312060	25	4315015	27	5900214	35
4312061	25	4315018	27	5900216	35
4312063	25	4315022	4	5900217	35
4312064	15	4315025	4	5900221	33
4312065	45	4315030	27, 29	5900235	33
4312072	39	4315032	4	5900236	33
4312078	39	4315040	4	5900237	35
4312080	9	4315041	27	5900243	35
4312081	9	4315044	4	5900244	35
4312084	19	4316011	7	5900246	33
4312091	53	4316024	45	5900249	33
4312095	13	4316028	35	5900250	33
4312096	13	4317001	69	5900272	33
4312108	51	4317002	61	6104216	65
4312116	4	4317003	61	6104411	65
4312117	4	4317004	57	6111041	35
4312127	15	4317005	61	6112042	17, 65
4312130	9, 39	4317006	61	6138181	37, 65
4312131	39	4317007	61	6232099	3
4312132	9, 39	4317008	69	6232224	4
4312133	39	4317011	59	6335002X	29
4312134	53	4317012	59	6339017	29, 79
4312135	51	4319001	79	6400002	35
4312144	7	4319003	79	6400003	35
4312145	23	4319004	79	8905009	27
4312208	21	4319005	79	8905010	27
4312210	43	4319007	79	8905011	49
4312211	43	4319008	45	8905012	49
4312218	35	4319010	79	9900032	65
4312219	21	4319012	67	9900078	65
4312220	21	4319013	73, 75, 79	9900081	71

Shoppertron Parts Manual

PART NO.	PAGE	PART NO.....	PAGE	PART NO.....	PAGE
9900098.....	77	9988210.....	45	9989673.....	71
9900106.....	65	9988211.....	45	9989685.....	29
9900107.....	65	9989042.....	71, 73, 75	9989687.....	35
9900118.....	67	9989100.....	71, 73, 75	9989718.....	80
9900164.....	65	9989110.....	57	9989755.....	35
9900207.....	37	9989116.....	80	9989781.....	80
9900218.....	69	9989336.....	71, 73, 75	9992400.....	49
9900425.....	27	9989369.....	71	9994000.....	49
9900437.....	63	9989576.....	80	N	
9983778.....	45	9989577.....	79	N4304194	77
9984094.....	71, 79	9989628.....	29	W	
9984165.....	73, 75	9989631.....	33, 80	WD431007.....	81, 82
9984629.....	71, 73, 75	9989637.....	79	WD431008.....	81, 82
9985327.....	65	9989649.....	21, 23		
9987852.....	77	9989659.....	45		

W

/EPS_Exports/430p0009.cgm 58
/EPS_Exports/431Cover.eps i
/EPS_Exports/431p0005a.eps 42
/EPS_Exports/431p0006.cgm 10
/EPS_Exports/431p0009.eps 70
/EPS_Exports/431p0010.eps 64
/EPS_Exports/431p0012.cgm 60
/EPS_Exports/431p0020.eps 50
/EPS_Exports/431p0022.eps 52
/EPS_Exports/431p0023.eps 2
/EPS_Exports/431p0033.eps 56
/EPS_Exports/431p0034.eps 54
/EPS_Exports/431p0035.eps 62
/EPS_Exports/431p0036.eps 68
/EPS_Exports/431p0038.eps 36
/EPS_Exports/431p0045.eps 46
/EPS_Exports/431p0046.eps 48
/EPS_Exports/431p0056.cgm 44
/EPS_Exports/431p0058.eps 28
/EPS_Exports/431p0061.eps 66
/EPS_Exports/431p0066.cgm 40
/EPS_Exports/431p0067.eps 26
/EPS_Exports/431p0068.eps 38
/EPS_Exports/431p0070.eps 30
/EPS_Exports/431p0071.eps 32
/EPS_Exports/431p0072.eps 74
/EPS_Exports/431p0073.eps 72
/EPS_Exports/431p0074.eps 1
/EPS_Exports/431p0075.eps 78
/EPS_Exports/431p0081.cgm 14
/EPS_Exports/431p0082.cgm 18
/EPS_Exports/431p0083.cgm 6
/EPS_Exports/431p0084.cgm 8
/EPS_Exports/431p0085.cgm 12
/EPS_Exports/431p0086.cgm 20
/EPS_Exports/431p0087.cgm 22
/EPS_Exports/431p0088.cgm 24
/EPS_Exports/431p0089.cgm 16
/EPS_Exports/431p0090.cgm 34
/EPS_Exports/485p0055.cgm 76