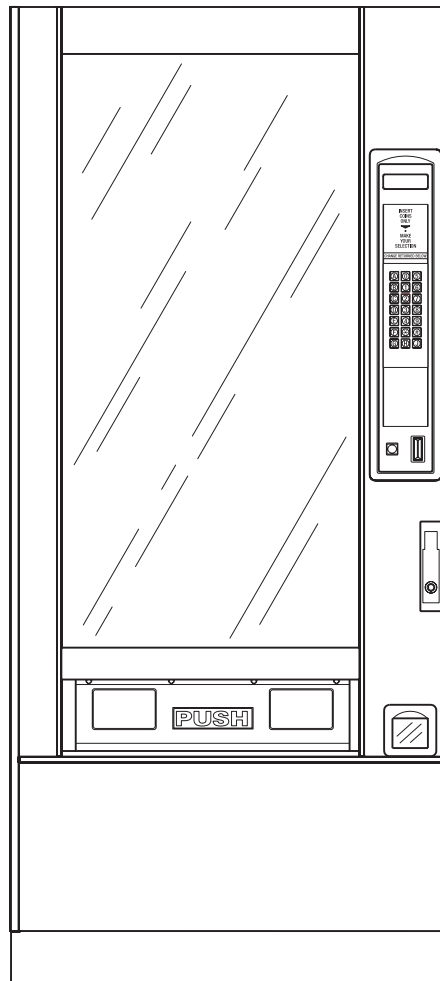


1720006

Model 172 - 173 - 452 - 453

Snack Vendor



PARTS MANUAL

CRANE MERCHANDISING SYSTEMS A Crane Co. Company
GPL

12955 Enterprise Way
Bridgeton, Missouri 63044-1200
(314) 298-3500 / (800) 621-7278
www.nationalvendors.com

Copyright © 02-04

1720006

This machine has been engineered to our own rigid safety and performance standards. It has been designed to comply with sanitation and health guidelines recommended by the Automatic Merchandising Health-Industry Council (AMHIC) and it conforms with all other NAMA safety recommendations.

This machine has been manufactured in accordance with the safety standards of both Underwriter's Laboratories and the Canadian Standards Association. To maintain this degree of safety and to continue to achieve the level of performance built into this machine, it is important that installation and maintenance be performed so as to not alter the original construction or wiring and that replacement parts are as specified in the Parts Manual. Your investment in this equipment will be protected by using the Operator's Guide and this Parts Manual in your operation, service and maintenance work. By following prescribed procedures, machine performance and safety will be preserved.

List of Figures

Section A: Exterior Door	1
FIGURE 1: SnackVendor Merchandiser	1
FIGURE 2: Outer Door Assembly	2
FIGURE 3: Door Miscellaneous	4
FIGURE 4: Door Trim and Panels	6
FIGURE 5: Door Trim Detail	8
Section B: Interior Door	10
FIGURE 6: Door Glass	10
FIGURE 7: Door Lock and Handle Assembly	12
FIGURE 8: Upper and Lower Door Hinge Assemblies	14
FIGURE 9: Door Check	16
FIGURE 10: Fluorescent Light	18
FIGURE 11: Delivery Pan Assembly	20
FIGURE 12: Delivery Pan Side Plates	22
FIGURE 13: Posivend Emitter and Receiver	24
FIGURE 14: Deflectors and Decal	26
FIGURE 15: Gum and Mint Assembly (Part 1 of 2)	28
FIGURE 16: Gum and Mint Assembly (Part 2 of 2)	30
FIGURE 17: Motor and Angle Assembly	32
Section C: Cabinet	34
FIGURE 18: Cabinet - Loose Parts	34
FIGURE 19: Common Cabinet	36
FIGURE 20: Cabinet Details	38
FIGURE 21: Cabinet Back	40
FIGURE 22: Leg, Leveler, and Leg and Hinge Assemblies	42
FIGURE 23: Refrigeration Module (452 & 453 Only)	44
FIGURE 24: Cabinet Assembly - Refrigeration (452 & 453 Only)	46
FIGURE 25: Insulation - Refrigeration Module (452 & 453 Only)	48
FIGURE 26: Cabinet Insulation (452 & 453 Only)	50
Section D: Trays	52
FIGURE 27: Candy Tray Assembly	52
FIGURE 28: Snack Tray Assembly	54
FIGURE 29: Wedge Assembly	58
Section E: Monetary	60
FIGURE 30: Monetary Panel Assembly (Part 1 of 2)	60
FIGURE 31: Monetary Panel Assembly (Part 2 of 2)	62
FIGURE 32: Face Plate Assembly	64
Section F: Electronics	66
FIGURE 33: Power Panel Assembly - Domestic	66
FIGURE 34: Power Panel Assembly - U.K. - 230 V	68
FIGURE 35: Controller Interface PCB and Power Panel Housing	70

Section G: Accessories 74
FIGURE 37: Base Plate Assembly (Accessory) 74
FIGURE 38: Door Lock Guard (Accessory) 75
FIGURE 39: Money Box Lock (Accessory) 76
FIGURE 40: Delivery Pan Pad (Accessory) 77
FIGURE 41: Wire Block Kit (Accessory) 78
FIGURE 42: Accessories (Data Printer Interface) 79

List of Tables

Section A: Exterior Door	1
TABLE 1: SnackVendor Merchandiser.....	1
TABLE 2: Outer Door Assembly.....	3
TABLE 3: Door Miscellaneous	5
TABLE 4: Door Trim and Panels	7
TABLE 5: Door Trim Detail.....	9
Section B: Interior Door	10
TABLE 6: Door Glass.....	11
TABLE 7: Door Lock and Handle Assembly.....	13
TABLE 8: Upper and Lower Door Hinge Assemblies.....	15
TABLE 9: Door Check.....	17
TABLE 10: Light Assembly - Upper Door.....	19
TABLE 11: Delivery Pan Assembly.....	21
TABLE 12: Delivery Pan Side Plates	23
TABLE 13A: PosiVend Emitter	25
TABLE 13B: Posivend Receiver.....	25
TABLE 14: Deflectors and Decal.....	27
TABLE 15: Gum and Mint Assembly (Part 1 of 2).....	29
TABLE 16: Gum and Mint Assembly (Part 2 of 2).....	31
TABLE 17: Motor and Angle Assembly.....	33
Section C: Cabinet	34
TABLE 18: Cabinet - Loose Parts	35
TABLE 19: Common Cabinet.....	37
TABLE 20: Cabinet Details.....	39
TABLE 21: Cabinet Back.....	41
TABLE 22: Leg, Leveler, and Leg and Hinge Assemblies	43
TABLE 23: Refrigeration Module (452 & 453 Only)	45
TABLE 24: Cabinet Assembly - Refrigeration (452 & 453 Only)	47
TABLE 25: Insulation - Refrigeration Module (452 & 453 Only).....	49
TABLE 26: Cabinet Insulation (452 & 453 Only).....	51
Section D: Trays	52
TABLE 27: Candy Tray Assembly.....	53
TABLE 28: Snack Tray Assembly	55
TABLE 28A: Spiral Options 28" Deep Machine	57
TABLE 29: Wedge Assembly.....	59
Section E: Monetary	60
TABLE 30: Monetary Panel Assembly (Part 1 of 2)	61
TABLE 30A: Insert INstructions - Upper and Lower	61
TABLE 31: Monetary Panel Assembly (Part 2 of 2)	63
TABLE 32: Face Plate Assembly	65
TABLE 32A: Bill Validator Options.....	65
TABLE 32B: Coin Unit options.....	65

Section F: Electronics	66
TABLE 33: Power Panel Assembly - Domestic.....	67
TABLE 34: Power Panel Assembly - U.K. - 230 V	69
TABLE 35: Controller Interface PCB and Power Panel Housing	71
TABLE 36: Harnesses.....	72
Section G: Accessories	74
TABLE 37: Base Plate Assembly (Accessory).....	74
TABLE 38: Door Lock Guard (Accessory).....	75
TABLE 39: Money Box Lock (Accessory)	76
TABLE 40: Delivery Pan Pad (Accessory)	77
TABLE 41: Wire Block Kit (Accessory).....	79
TABLE 42: Accessories (Data Printer Interface).....	79
TABLE 43A: Bag Assembly B1720001 - Smith's.....	80
TABLE 43B: Bag Assembly B1720002 - U.S./Canada.....	81
TABLE 43C: Bag Assembly B1720003 - Mexico.....	81
TABLE 43D: Bag Assembly - 37 - B1720004	82
TABLE 43E: Bag Assembly - 31 - B1730000	82
TABLE 43F: Bag Assembly - 1P - B4520000	83
TABLE 43G: Bag Assembly - B4520002	83
TABLE 43H: Bag Assembly - 33 - B4520003	84
TABLE 43I: Bag Assembly - 15 - B4520004	84

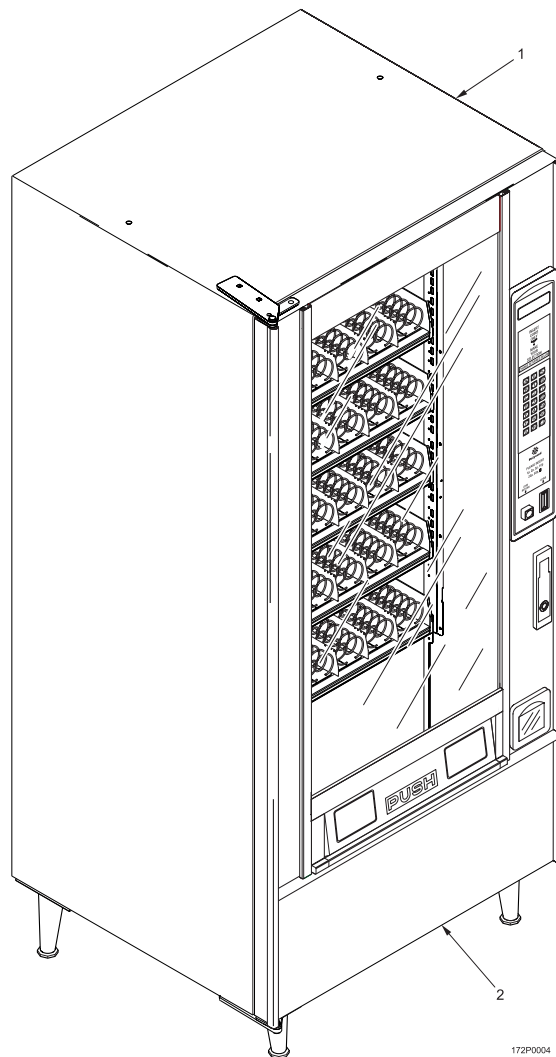
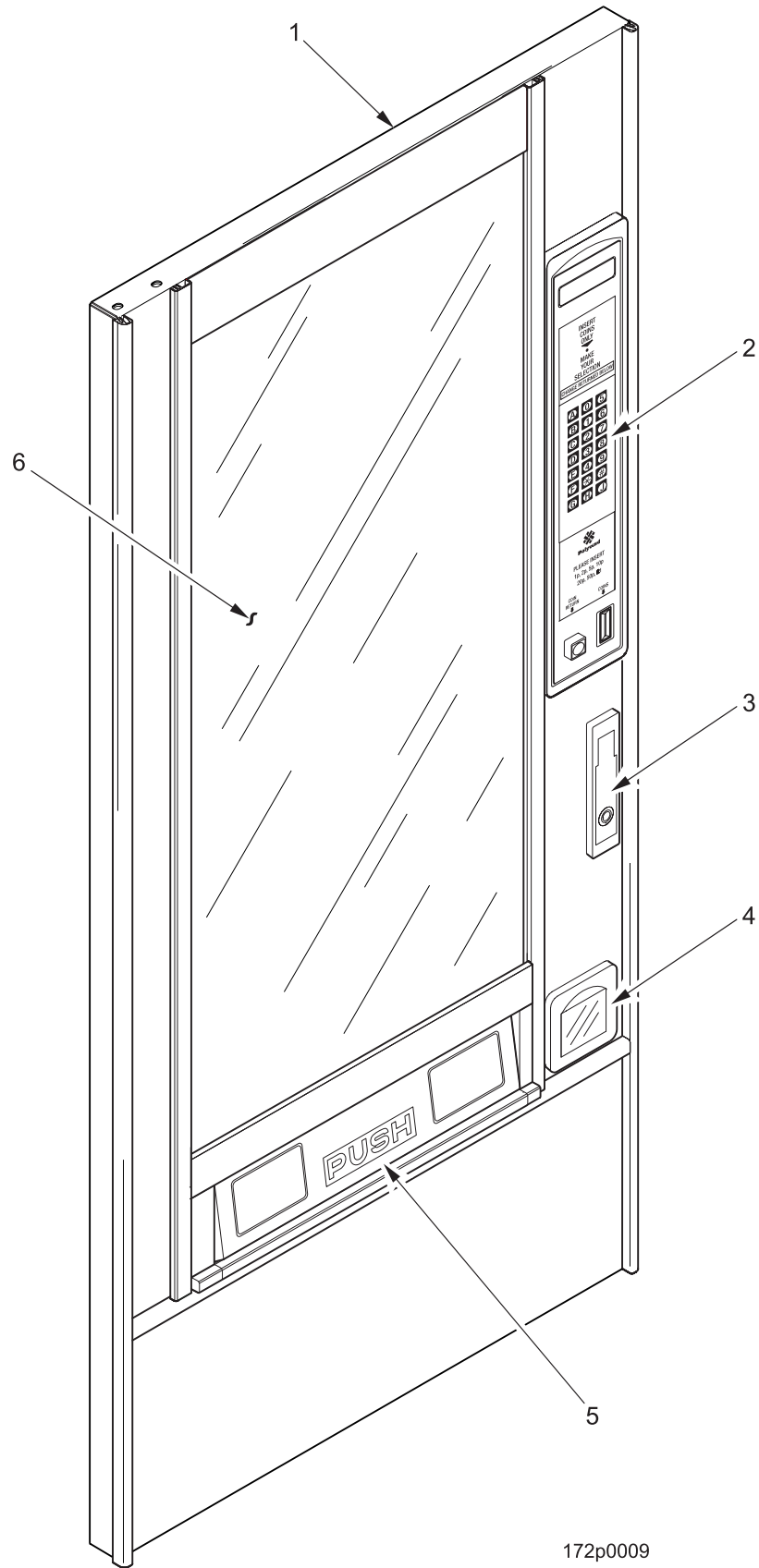


FIGURE 1: SNACKVENDOR MERCHANDISER
TABLE 1: SNACKVENDOR MERCHANDISER

INDEX	PART NUMBER	DESCRIPTION	QTY
1	4531005	CABINET ASSEMBLY - N.V. BLACK (173 453)	1
	4521023	CABINET ASSEMBLY - N.V. BLACK (172 452)	
	4521030	CABINET ASSEMBLY - NU WHITE (452)	
	4531022	CABINET ASSEMBLY - NU WHITE (453)	
	4531035	CABINET ASSEMBLY - SELECTA WHITE (453)	
2	1722005	DOOR ASSEMBLY - COMMON - VISION SERIES (172 452)	1
	1732001	DOOR ASSEMBLY - COMMON - VISION SERIES (173 453)	
	4532029	DOOR ASSEMBLY - COMMON - NV BLACK (453)	
	4532041	DOOR ASSEMBLY - COMMON - PV - NV BLACK (173 453)	
	4522013	DOOR ASSEMBLY - COMMON - PV - NV BLACK (452)	
	4522012	DOOR ASSEMBLY - COMMON - PV - NUWHITE (452)	
	4532042	DOOR ASSEMBLY - COMMON - PV - NUWHITE (173 453)	
	4532047	DOOR ASSEMBLY - COMMON - SELECTA WHITE (453)	

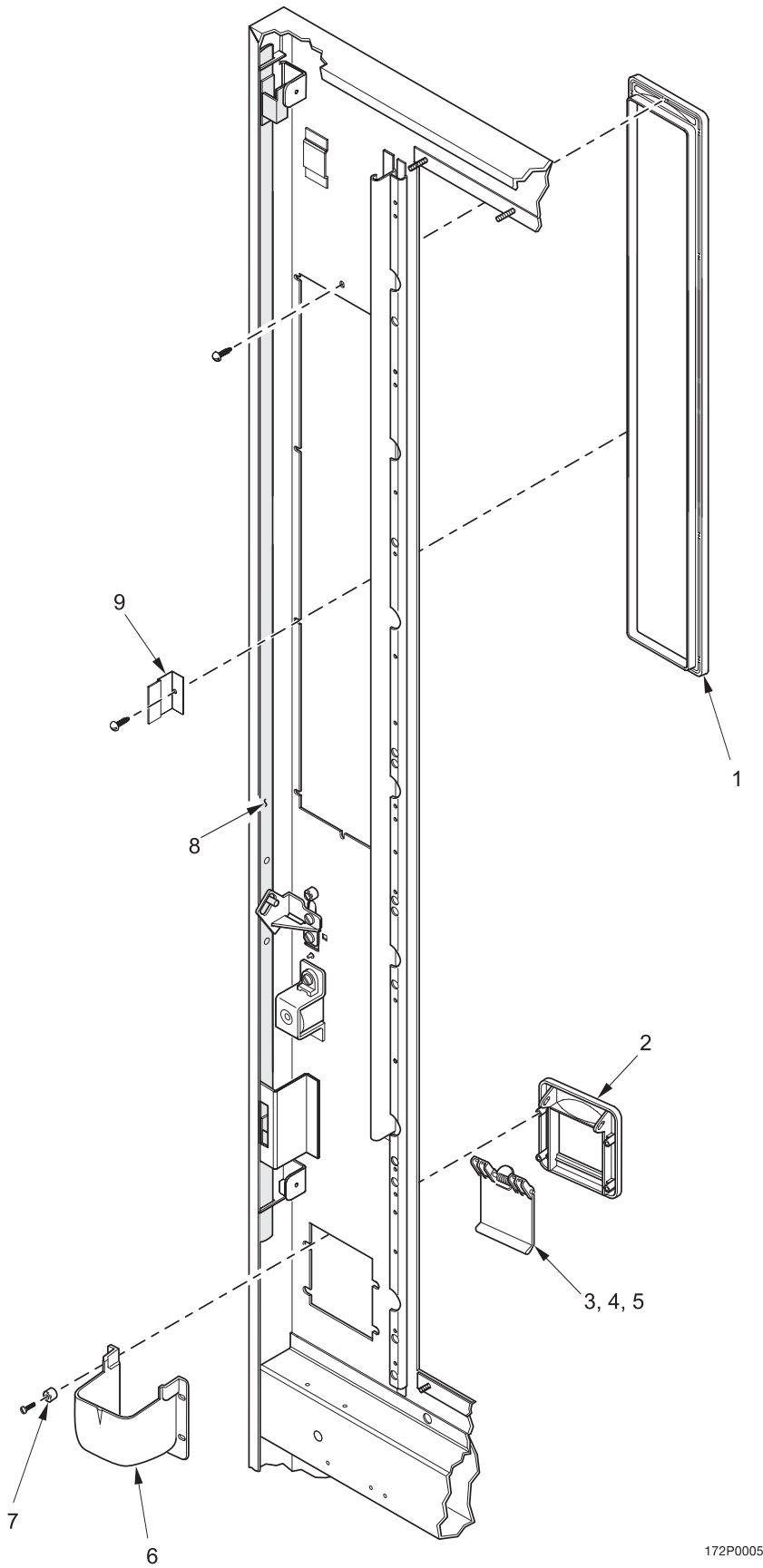


172p0009

FIGURE 2: OUTER DOOR ASSEMBLY

TABLE 2: OUTER DOOR ASSEMBLY

INDEX	PART NUMBER	DESCRIPTION	QTY
1	1722005	DOOR ASSEMBLY - COMMON - VISION SERIES (172 452)	1
	1732001	DOOR ASSEMBLY - COMMON - VISION SERIES (173 453)	
2	1595017	FACEPLATE ASSEMBLY - GPL (172 173 452 453)	1
	1575098	FACEPLATE ASSEMBLY - W/COIN OPTION	
	1575099	FACEPLATE ASSEMBLY - NO COIN	
3	--	DOOR LOCK (SEE TABLE 7 FOR DETAILS)	1
4	1572010	CUP - COIN RETURN (SEE TABLE 3 FOR DETAILS)	1
5	1582134	DELIVERY PAN ASSEMBLY - 32" (173 453) (SEE TABLE 11 FOR DETAILS)	1
	1672028	DELIVERY PAN ASSEMBLY - 38" (172 452) (SEE TABLE 11 FOR DETAILS)	
6	1582073	DOOR GLASS ASSEMBLY (173 453) (SEE TABLE 6 FOR DETAILS)	1
	1452209	DOOR GLASS ASSEMBLY (172 452)	
	1702012	DOOR GLASS ASSEMBLY (452)	
	1712004	DOOR GLASS ASSEMBLY (453)	

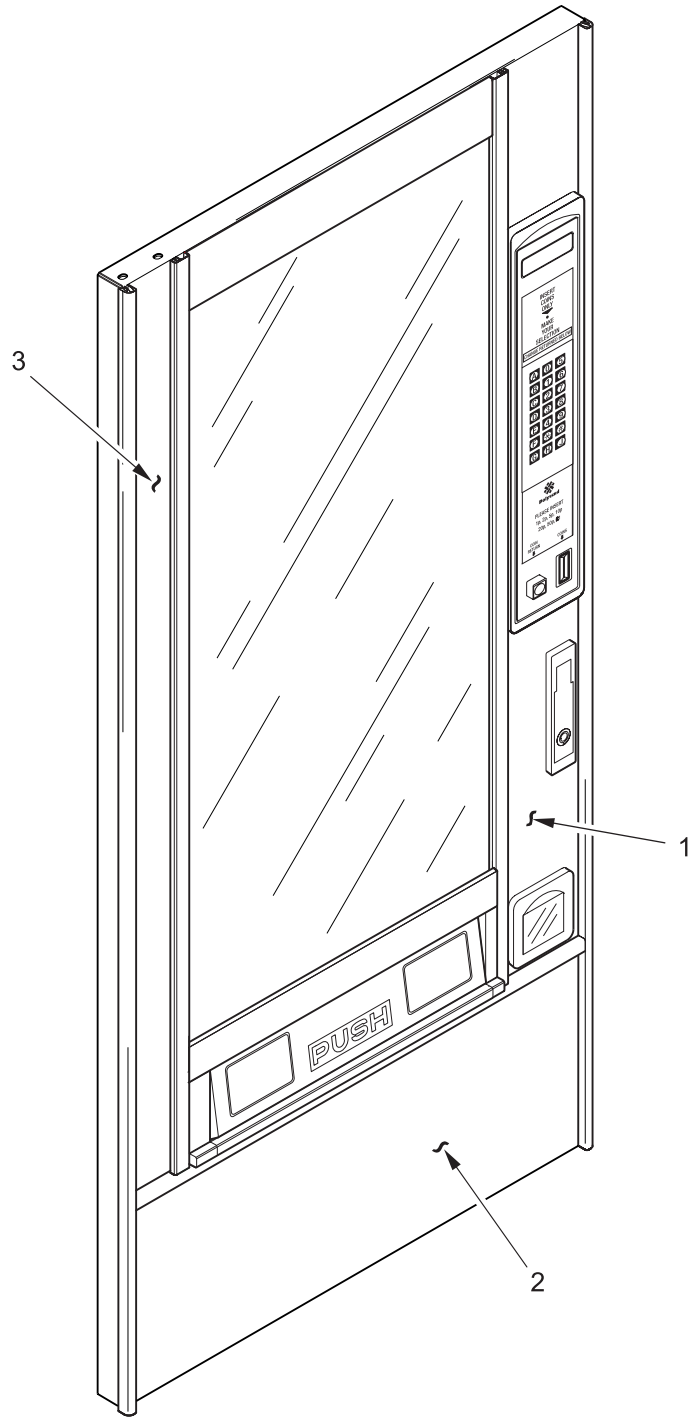


172P0005

FIGURE 3: DOOR MISCELLANEOUS

TABLE 3: DOOR MISCELLANEOUS

INDEX	PART NUMBER	DESCRIPTION	QTY.
1	1575106	CASTING - MONETARY FRAME - BLACK	1
--	1672080	GATE & TRIM ASSEMBLY - COIN RETURN (ITEMS 2-5)	--
2	1572011	TRIM - COIN CUP - BLACK	1
3	4245082	GATE - COIN RETURN	1
4	4245083	SPRING - COIN RETURN DOOR	1
5	4245084	SHAFT - DOOR - COIN RETURN	1
6	1572010	CUP - COIN RETURN	1
7	2302053	SPACER CUP	1
8	1472178	LOCK BAR ASSEMBLY	1
9	1472250	GUIDE - LOCK BAR	1

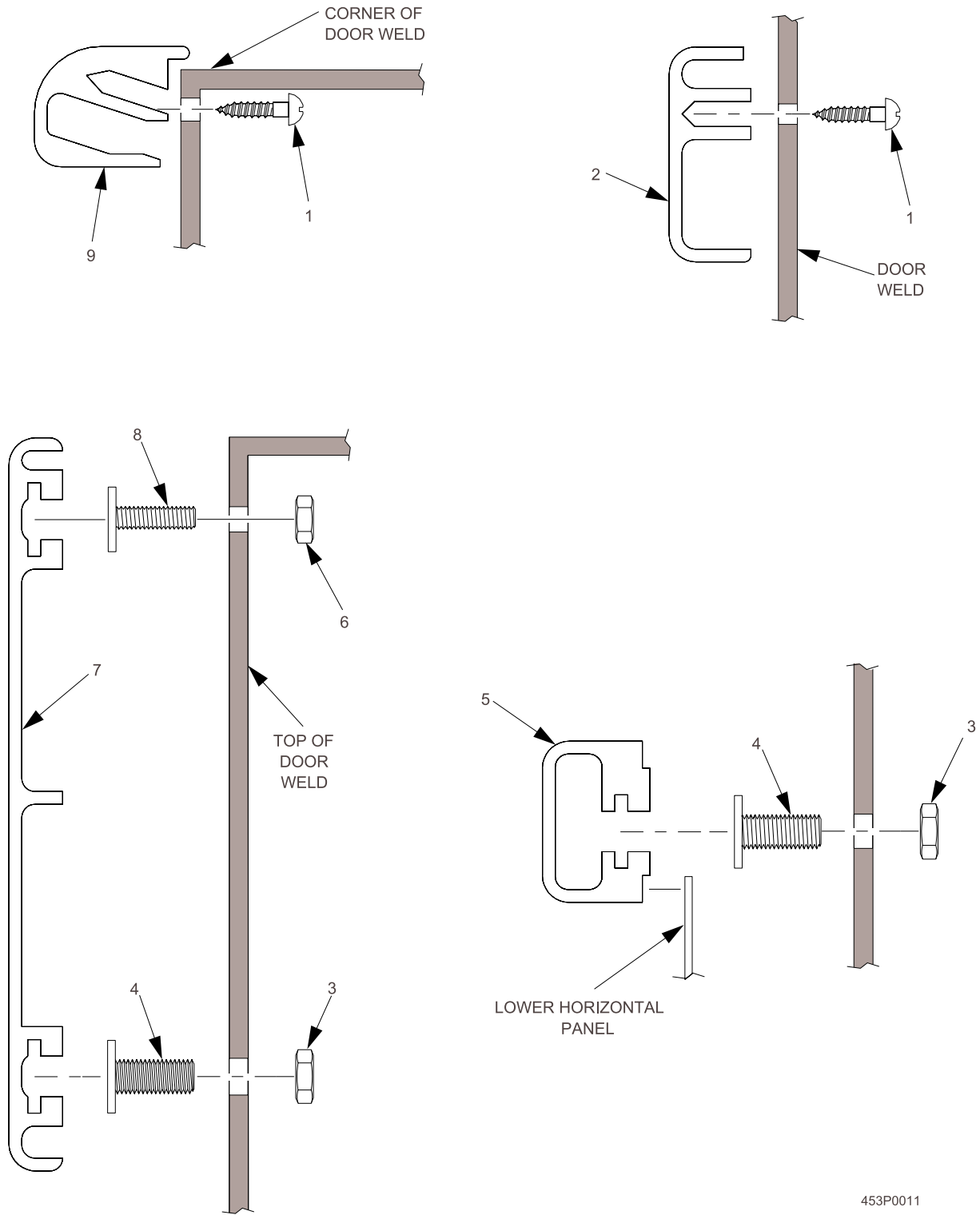


172P0001

FIGURE 4: DOOR TRIM AND PANELS

TABLE 4: DOOR TRIM AND PANELS

INDEX	PART NUMBER	DESCRIPTION	QTY
1	1592035	PANEL - RIGHT HAND TRIM (LOCK SIDE)	1
	1592044	PANEL - RIGHT HAND TRIM (LOCK SIDE) - FLAT "T" BLACK	
	1722008	PANEL - RIGHT HAND TRIM (LOCK SIDE) - T BLACK	
	1592075	PANEL - RIGHT HAND TRIM (LOCK SIDE) - NU WHITE	
	1592038	PANEL - RIGHT HAND TRIM (LOCK SIDE) - LIGHT GRAY	
	1592102	PANEL - RIGHT HAND TRIM (LOCK SIDE) - SELECTA WHITE	
	1722013	PANEL - RIGHT HAND TRIM (LOCK SIDE) - PLATINUM	
	4522021	PANEL - RIGHT HAND TRIM (LOCK SIDE) - BLUE	
	1602077	PANEL - RIGHT HAND TRIM (LOCK SIDE) - METALIC BLACK	
2	1592042	TRIM PANEL - LOWER - FLAT "T" BLACK (172 452)	1
	1602041	TRIM PANEL - LOWER - FLAT "T" BLACK (173 453)	
	1592088	TRIM PANEL - LOWER - NU WHITE (172 452)	
	1602060	TRIM PANEL - LOWER - NU WHITE (173 453)	
	1592040	TRIM PANEL - LOWER - MEDIUM GRAY (172 452)	
	4522024	TRIM PANEL - LOWER - BLUE (172 452)	
	1602081	TRIM PANEL - LOWER - SELECTA WHITE (173 453)	
	1602079	TRIM PANEL - LOWER - METALIC BLACK (173 453)	
3	1592036	PANEL - LEFT HAND TRIM (HINGE SIDE)	1
	1592045	PANEL - LEFT HAND TRIM (HINGE SIDE) - FLAT "T" BLACK	
	1722006	PANEL - LEFT HAND TRIM (HINGE SIDE) - T BLACK	
	1592076	PANEL - LEFT HAND TRIM (HINGE SIDE) - NU WHITE	
	1592039	PANEL - LEFT HAND TRIM (HINGE SIDE) - LIGHT GRAY	
	1592103	PANEL - LEFT HAND TRIM (HINGE SIDE) - SELECTA WHITE	
	1722012	PANEL - LEFT HAND TRIM (HINGE SIDE) - PLATINUM	
	4522022	PANEL - LEFT HAND TRIM (HINGE SIDE) - BLUE	
	1602076	PANEL - LEFT HAND TRIM (HINGE SIDE) - METALIC BLACK	

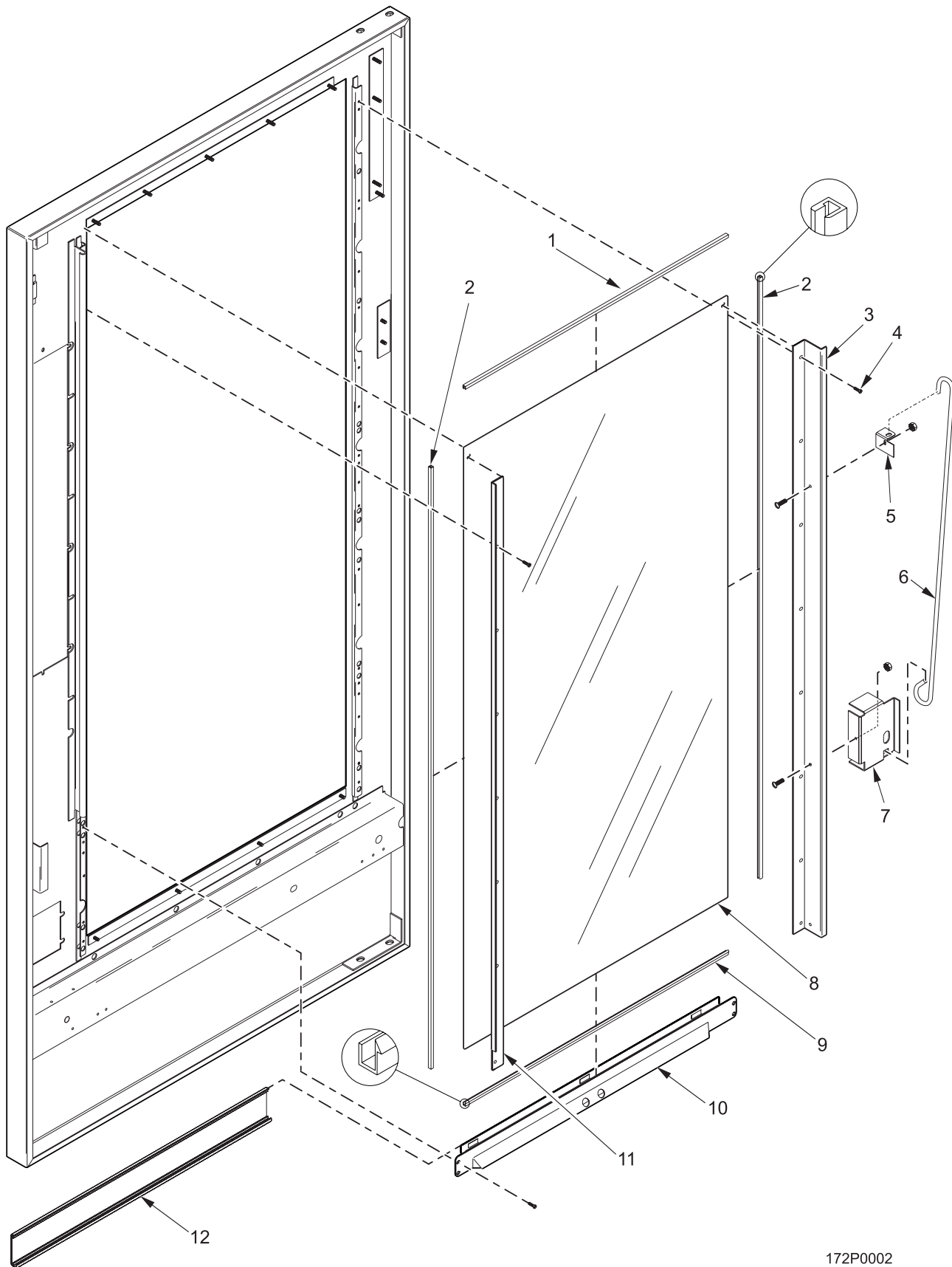


453P0011

FIGURE 5: DOOR TRIM DETAIL

TABLE 5: DOOR TRIM DETAIL

INDEX	PART NUMBER	DESCRIPTION	QTY.
1	G1472027	SCREW - SHEET METAL - #6 X .44 PHILLPS	32
2	1592068	TRIM - DOOR - INSIDE - BLACK	2
	1592031	TRIM - DOOR - INSIDE - GPL - SILVER	
	1592077	TRIM - DOOR - INSIDE - GPL - KLIX GRAY	
	1592092	TRIM - DOOR - INSIDE - GRANADA GRAY	
	1592106	TRIM - DOOR - INSIDE - GPL - SELECTA WHITE	
3	9900081	NUT - #8-32 KEPS ZINC PLATED	15
4	2222110	T-BOLT #8-32 NC - 2 THD	15
5	1592033	TRIM - DOOR - HORIZONTAL (172 452)	1
	1602028	TRIM - DOOR - HORIZONTAL (173 453)	
	1592067	TRIM - DOOR - HORIZONTAL - BLACK (172 452)	
	1602016	TRIM - DOOR - HORIZONTAL - BLACK (173 453)	
	1592030	TRIM - DOOR - HORIZONTAL - GPL - SILVER (172 452)	
	1602030	TRIM - DOOR - HORIZONTAL - GPL - SILVER (173 453)	
	1592090	TRIM - DOOR - HORIZONTAL - GPL - KLIX GRAY (452)	
	1602061	TRIM - DOOR - HORIZONTAL - GPL - KLIX GRAY (453)	
	1602067	TRIM - DOOR - HORIZONTAL - GPL - GRANADA GR (453)	
1602083	TRIM - DOOR - HORIZONTAL - GPL - SELECTA WHITE (453)		
6	9900081	NUT - #8-32 KEPS ZINC PLATED	3
7	1602066	TRIM PANEL - TOP - KLIX WHITE (173 453)	1
	1602004	TRIM PANEL - TOP - FLAT "T" BLACK (173 453)	
	1592034	TRIM PANEL - TOP - MED. GRAY (172 452)	
	1592062	TRIM PANEL - TOP - FLAT "T" BLACK (172 452)	
	1592089	TRIM PANEL - TOP - KLIX WHITE (172 452)	
	1602078	TRIM PANEL - TOP - METALIC BLACK (173 453)	
	1602082	TRIM PANEL - TOP - SELECTA WHITE (173 453)	
4522023	TRIM PANEL - TOP - BLUE (172 452)		
8	1572060	T-BOLT #6-32 X 3/8	3
9	1592069	TRIM - DOOR - SIDE - BLACK	2
	1592032	TRIM - DOOR - SIDE - GPL - SILVER	
	1592078	TRIM - DOOR - SIDE - GPL - KLIX GRAY	
	1592093	TRIM - DOOR - SIDE - GRANADA GRAY	
	1592107	TRIM - DOOR - SIDE - GPL - SELECTA WHITE	



172P0002

FIGURE 6: DOOR GLASS

TABLE 6: DOOR GLASS

INDEX	PART NUMBER	DESCRIPTION	QTY
--	1582073	DOOR GLASS ASSEMBLY (173 453)	--
	1452209	DOOR GLASS ASSEMBLY (172 452)	
1	1682056	CHANNEL - GLASS - UPPER - 21.88" (173 453)	1
	1672066	CHANNEL - GLASS - UPPER - 28.00" (172 452)	
2	1672067	CHANNEL - GLASS - VERTICAL - 42.16"	2
3	1572020	RETAINER - GLASS - LARGE SNACK	1
4	1472132	SCREW - #6-32 X .25 PHS T/C	1
5	1572028	RETAINER - ROD SUPPORT - COMMON (WITH GUM & MINT ONLY)	1
6	1479140	ROD - SUPPORT - G & M (WITH GUM & MINT ONLY)	1
7	1572027	SUPPORT - PROP ROD - COMMON (WITH GUM & MINT ONLY)	1
8	1582075	GLASS - DISPLAY (173 453)	1
	1452059	GLASS - DISPLAY (172 452)	
9	1582074	CHANNEL - GLASS - LOWER (173 453)	1
	1402120	CHANNEL - GLASS - LOWER (172 452)	
10	1582229	PANEL ASSEMBLY - GLASS - LOWER (173 453)	1
	1572445	PANEL ASSEMBLY - GLASS - LOWER (172 452)	
11	1472048	PLATE - GLASS RETAINING	1
12	1582221	TRIM PANEL - GLASS - LOWER - 32" - BLACK (173 453)	1
	1572378	TRIM PANEL - GLASS - LOWER - BLACK (172 452)	

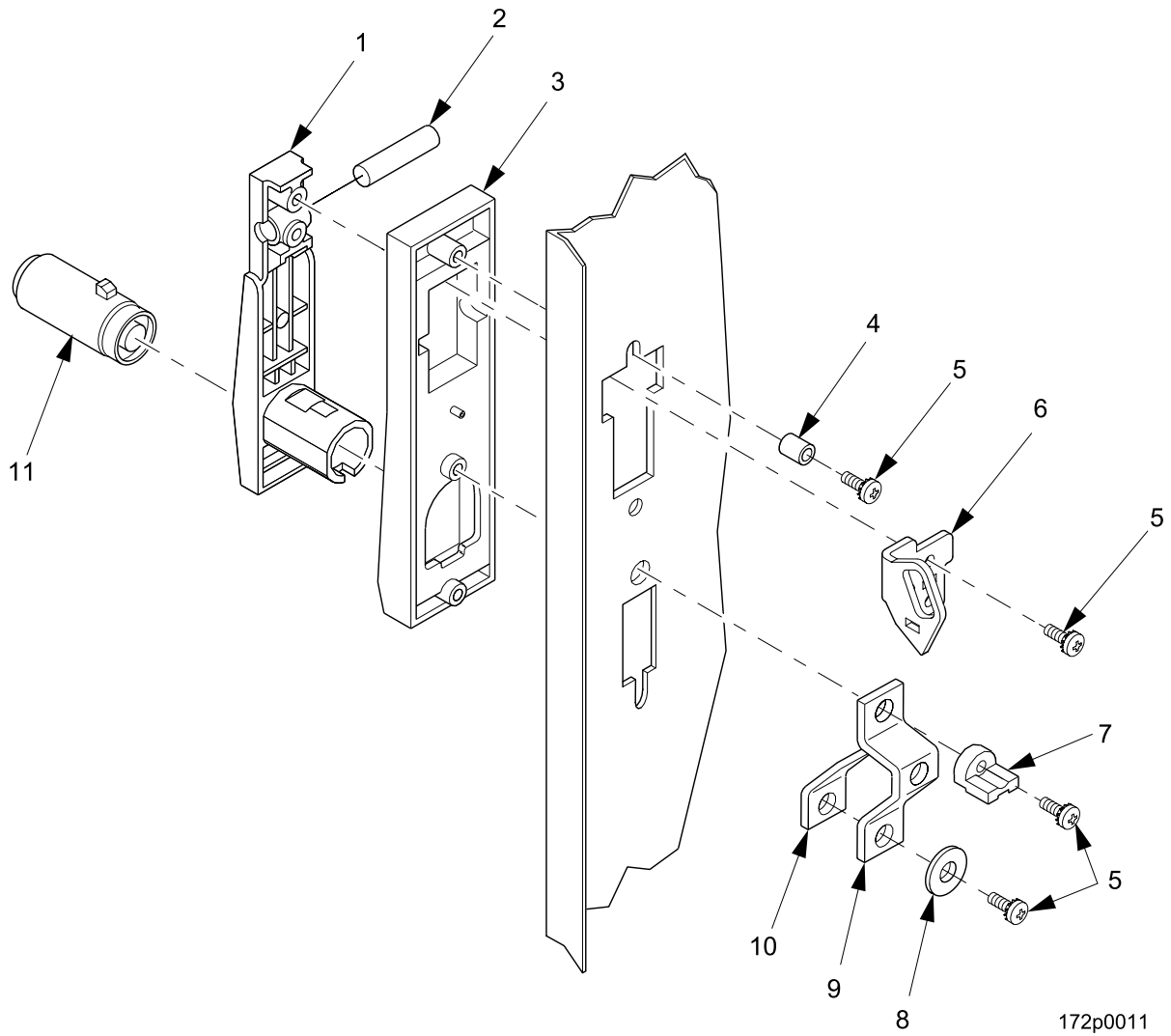
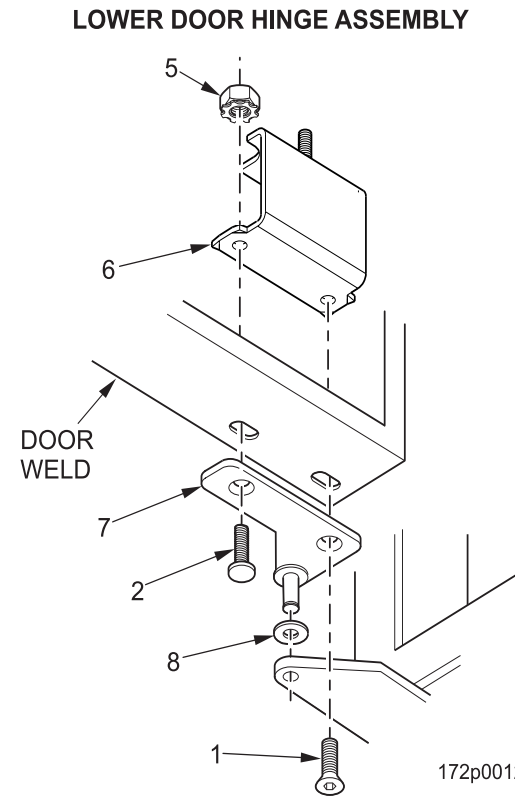
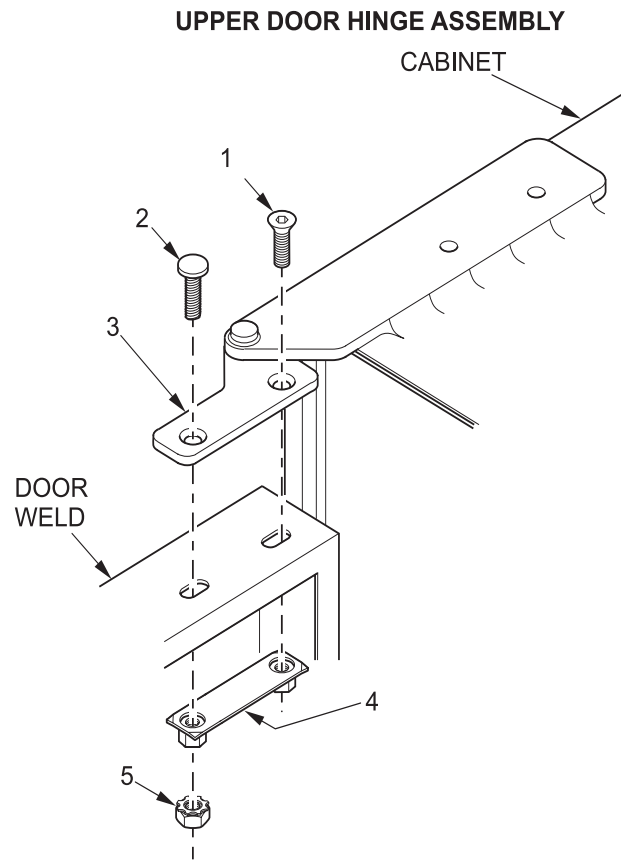


FIGURE 7: DOOR LOCK AND HANDLE ASSEMBLY

TABLE 7: DOOR LOCK AND HANDLE ASSEMBLY

INDEX	PART NUMBER	DESCRIPTION	QTY.
1	1172190	LEVER - LOCK	1
2	1302291	PIVOT - LEVER LOCK	1
3	1172191	BASE - LEVER LOCK	1
4	1302289	CUP SPACER	2
5	9900170	SCREW-#10-32 X 1/2"PHIL.PAN HD W/L.W.	5
6	2272052	ACTUATOR ASSEMBLY - LOCK BAR	1
7	1302326	SHIELD - LATCH	1
8	9900121	WASHER - STEEL - 7/16 X .203 X .032	1
9	1302324	CATCH - DOOR LATCH	1
10	1302290	LATCH - LOCK LOWER	1
11	3112163	CYLINDER - VAN LOCK	1
	3112164	KEY - VAN LOCK	OPT.
	9992400	CYLINDER - FLEX ACE	
	9994XYZ	KEY - FLEX ACE (XYZ = YOUR KEY NUMBER)	



172p0012

FIGURE 8: UPPER AND LOWER DOOR HINGE ASSEMBLIES

TABLE 8: UPPER AND LOWER DOOR HINGE ASSEMBLIES

INDEX	PART NUMBER	DESCRIPTION	QTY.
1	6232036	SCREW - 5/16 - 18 X .75 FLT. HD SOCKET	2
2	6232208	WELD SCREW - #1/4 - 20 X 1" LG	2
3	1571098	HINGE ASSEMBLY - UPPER	1
4	6232028	PLATE ASSEMBLY - HINGE MOUNTING	1
5	1211105	1/4 - 20 KEPS NUT EXT LW ZP	2
6	1572007	WELD ASSEMBLY - DOOR CHECK (SEE TABLE 9 FOR DETAILS)	1
7	6232031	HINGE ASSEMBLY - DOOR - LOWER	1
8	4242145	BEARING - THRUST - LOWER HINGE	1

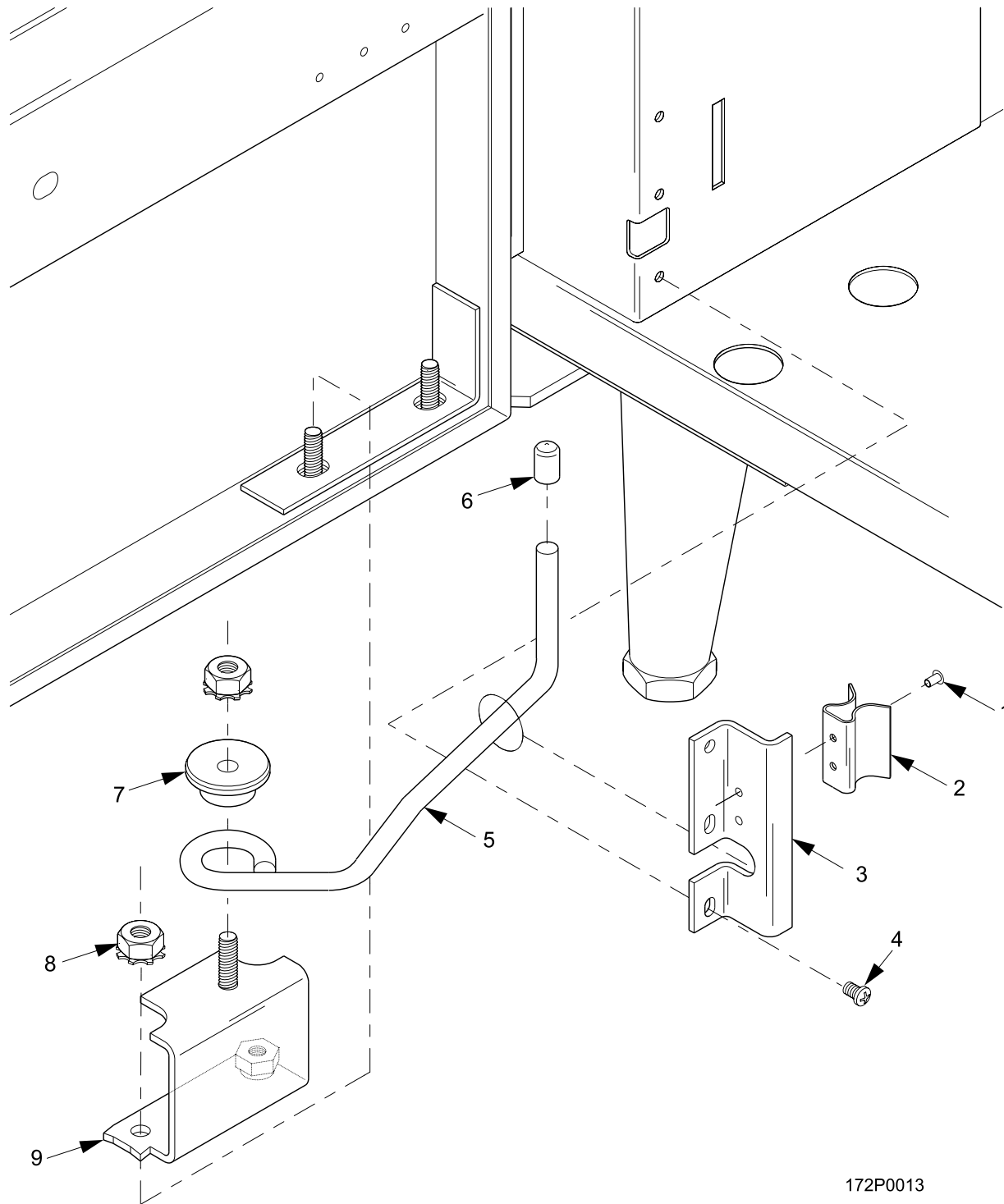


FIGURE 9: DOOR CHECK

TABLE 9: DOOR CHECK

INDEX	PART NUMBER	DESCRIPTION	QTY.
--	1571090	PLATE ASSEMBLY - DOOR CHECK (ITEMS 1-3)	--
1	1571091	RIVET - SEMI - TUBULAR - .125 D X .218	2
2	1451041	SPRING - DOOR CHECK	1
3	1571017	PLATE - DOOR CHECK	1
4	1472132	SCREW - #6-32 X .25 PHS T/C	3
5	1572009	ROD - DOOR CHECK	1
6	1571037	CAP - VINYL - .281 ID X .50 LONG	1
7	1142017	BUSHING - DOOR CHECK	1
8	1211105	1/4 - 20 KEPS NUT EXT LW ZP	2
9	1572007	WELD ASSEMBLY - DOOR CHECK	1

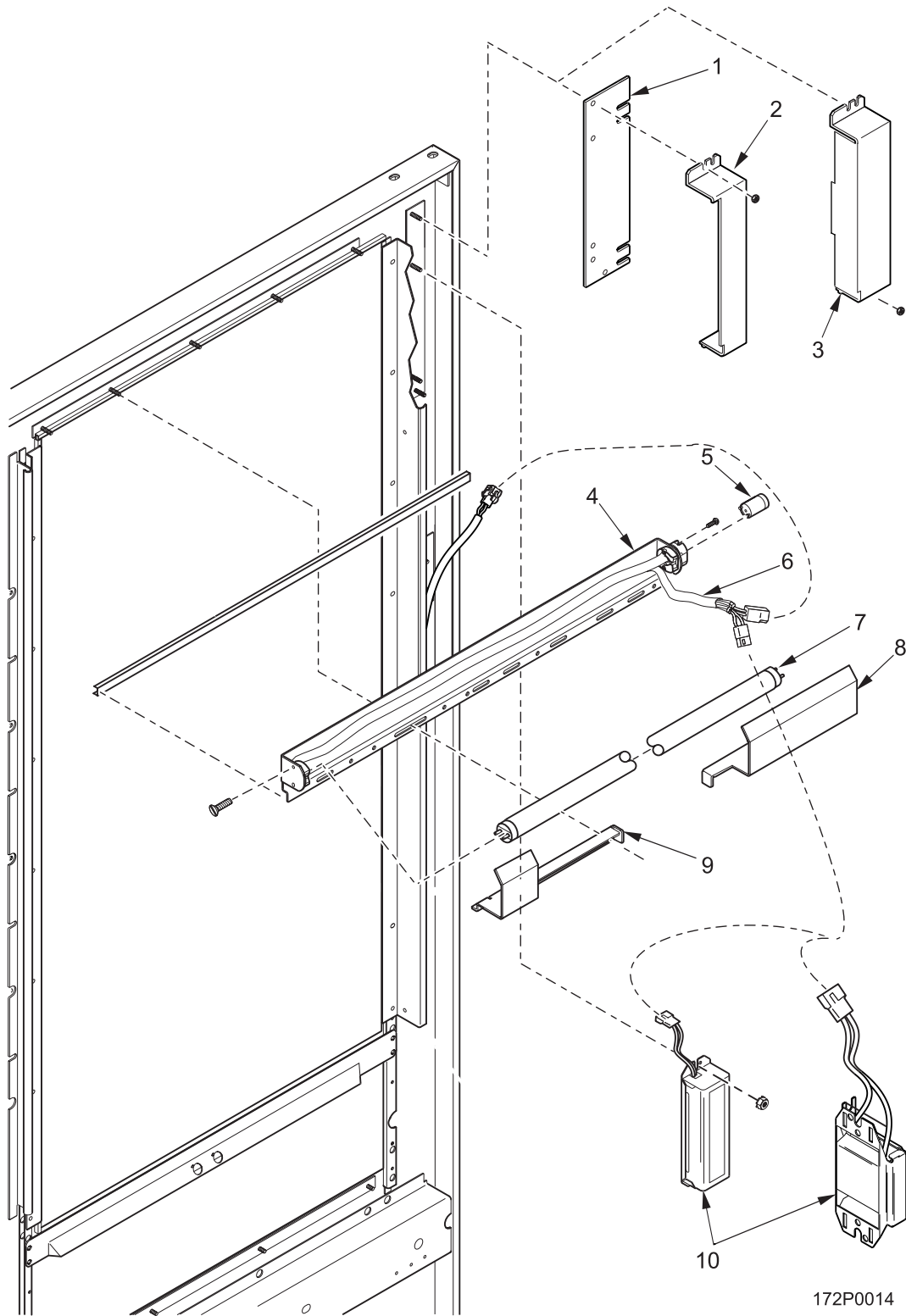
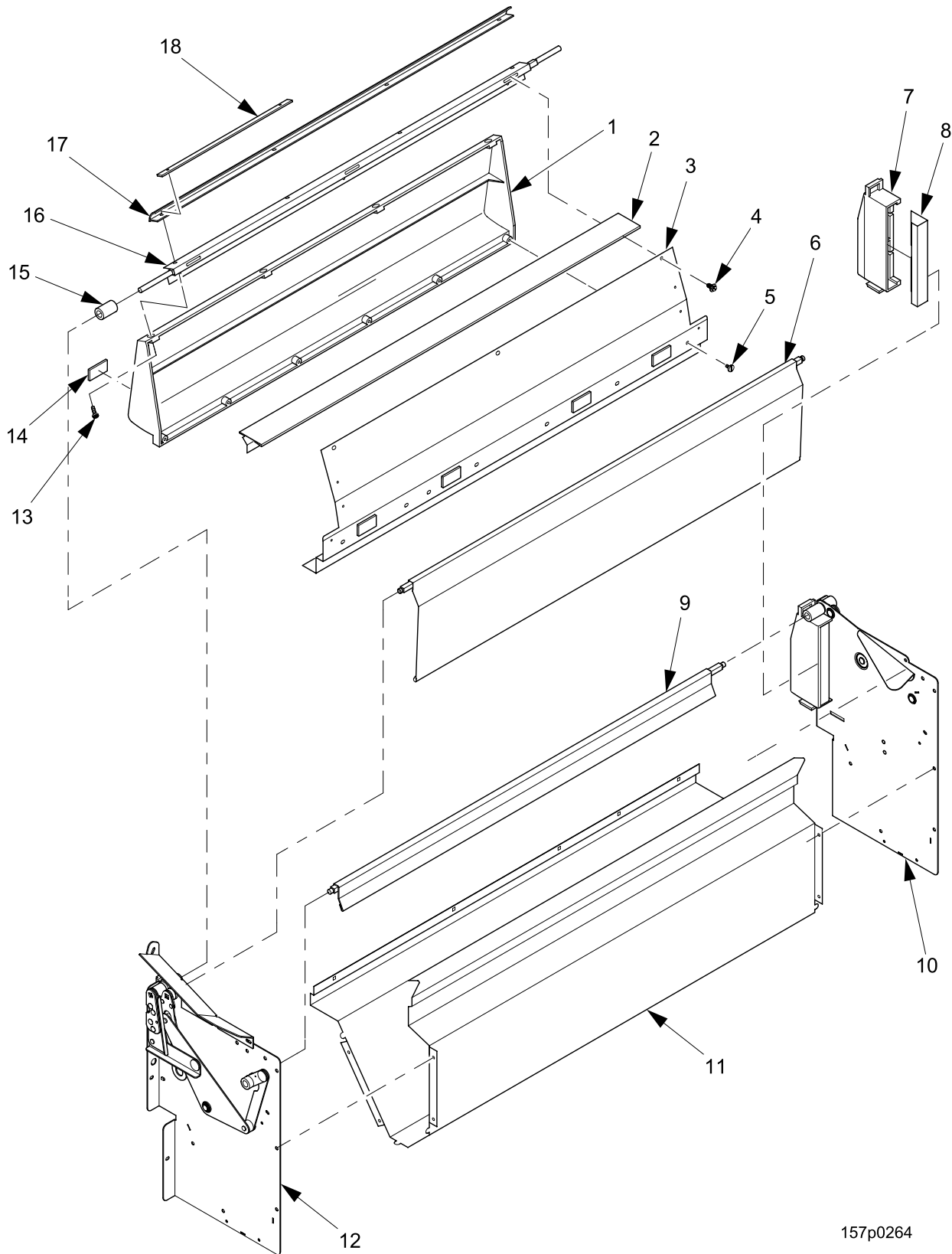


FIGURE 10: FLUORESCENT LIGHT

TABLE 10: LIGHT ASSEMBLY - UPPER DOOR

INDEX	PART NUMBER	DESCRIPTION	QTY
1	1572046	PLATE - BALLAST (230V MODELS)	1
2	1572047	COVER - BALLAST - EUROPE (230 V MODULES)	1
--	1672079	BALLAST & PLATE ASSEMBLY (INCLUDES ITEMS 1 AND 3)	--
3	1572016	BALLAST ASSEMBLY - 20W - 230V	1
--	1702022	LAMP BRACKET & HARNESS ASSEMBLY (20W) (ITEMS 4 & 6)	1
	1702023	LAMP BRACKET & HARNESS ASSEMBLY (25W) (ITEMS 4 & 6)	
4	1702025	BRACKET - LIGHT - 20 WATT	1
	1702024	BRACKET - LIGHT - 25 WATT	
5	2222095	STARTER (20W)	1
	2302218	STARTER (25W)	
6	1709019	HARNESS - LIGHT & FILTER ASSEMBLY	1
7	1122138	FLUORESCENT LAMP #F20T12/CW KB (20W)	1
	1172115	FLUORESCENT LAMP (25W)	
8	1572045	COVER - LIGHT SOCKET - LEFT (230 V MODELS)	1
9	1572044	COVER - LIGHT SOCKET - RIGHT (230 V MODELS)	1
10	3151058	BALLAST - 120V (173)	1



157p0264

FIGURE 11: DELIVERY PAN ASSEMBLY

TABLE 11: DELIVERY PAN ASSEMBLY

INDEX	PART NUMBER	DESCRIPTION	QTY.
--	1672028	DELIVERY PAN ASSEMBLY - 38" (172 452)	--
	1682049	DELIVERY PAN ASSEMBLY - 32" (173 453)	
	1582134	DELIVERY PAN ASSEMBLY - 32"	
1	1572053	DOOR - DELIVERY - 38"	1
	1582080	DOOR - DELIVERY - 32"	
2	7211273	FILLER - FRONT - 38"	1
	1582127	FILLER - FRONT - 32"	
3	1572289	BACK - DELIVERY DOOR - 38"	1
	1582126	BACK - DELIVERY DOOR - 32"	
4	4721035	SCREW-#8-18 X .38-LGM	2
5	4245186	SCREW - #8 32 X 1/4 PHS-T/F	9
6	1672037	DOOR ASSEMBLY - PILFERAGE - 38"	1
	1682048	DOOR ASSEMBLY - PILFERAGE - 32"	
7	1572229	FILLER - LEFT HAND	1
8	1672084	CHANNEL - FILLER MOUNT	1
9	1672036	DOOR ASSEMBLY - REAR - 38" - FLAT "T" BLACK	1
	1682047	DOOR ASSEMBLY - REAR - 32" - FLAT "T" BLACK	
10	1572424	SIDE PLATE ASSEMBLY - LEFT HAND	2
11	1572457	WELD ASSEMBLY - DELIVERY PAN - 38"	1
	1582237	WELD ASSEMBLY - DELIVERY PAN - 32"	
12	1572425	SIDE PLATE ASSEMBLY - RIGHT HAND	1
13	1572450	SCREW-#8-32 X 9/16 P/H PHIL.	4
14	1412058	TAPE - VINYL FOAM	3
15	1572315	SPACER - DELIVERY DOOR	2
16	1572447	CHANNEL ASSEMBLY - 38" - DELIVERY DOOR	1
	1582231	CHANNEL ASSEMBLY - 32" - DELIVERY DOOR	
17	1572448	GUARD - DELIVERY DOOR - UPPER - 38"	1
	1582232	GUARD - DELIVERY DOOR - UPPER - 32"	
18	1572449	STRIP - THREADED - 38"	2
	1582233	STRIP - THREADED - 32"	

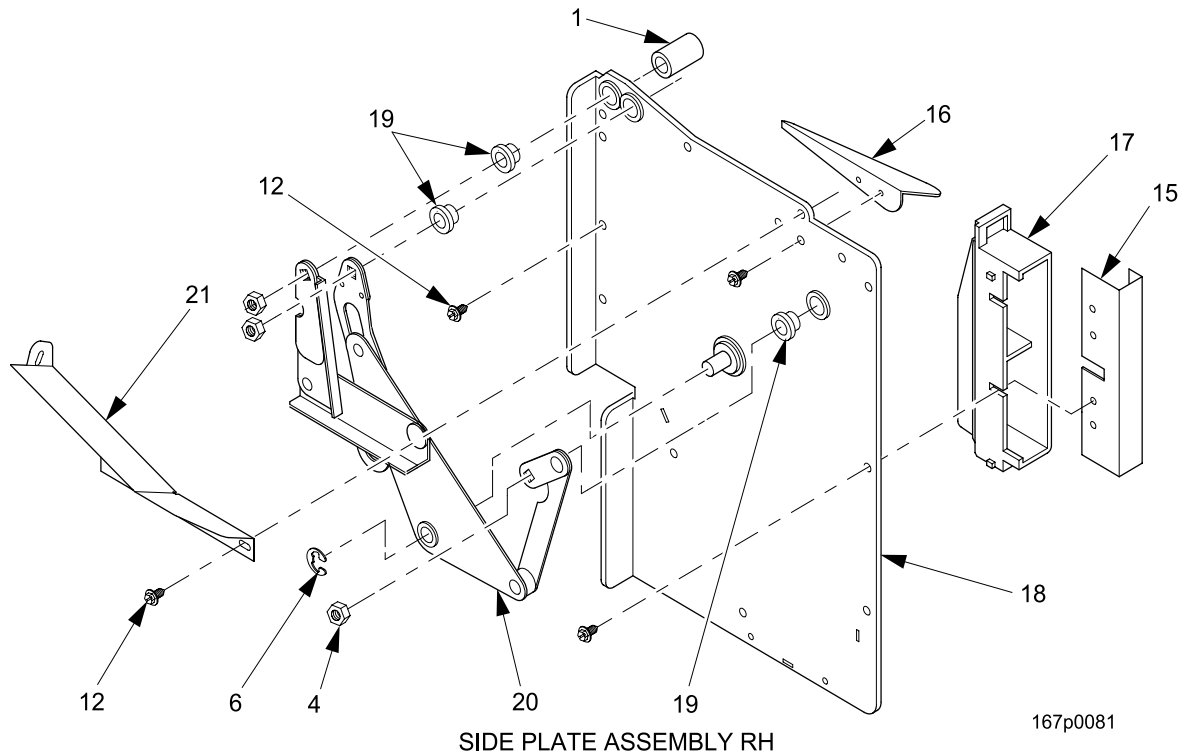
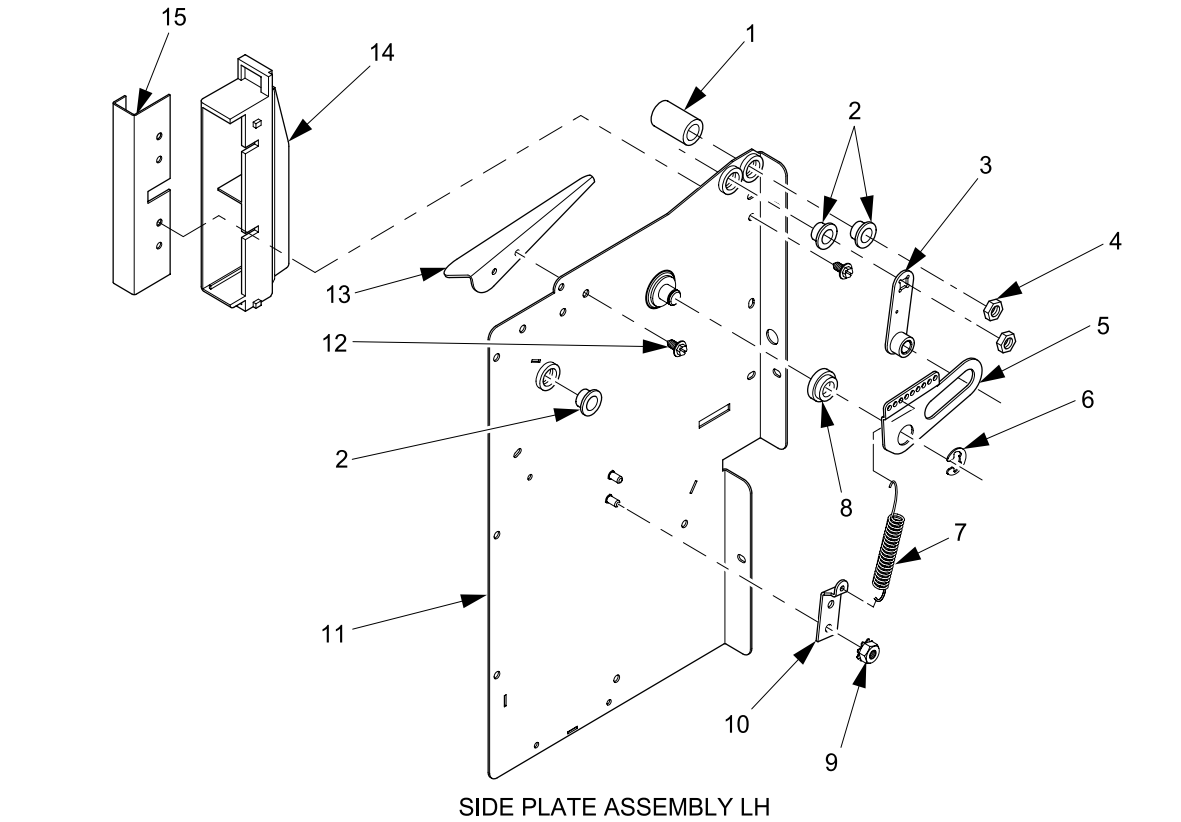
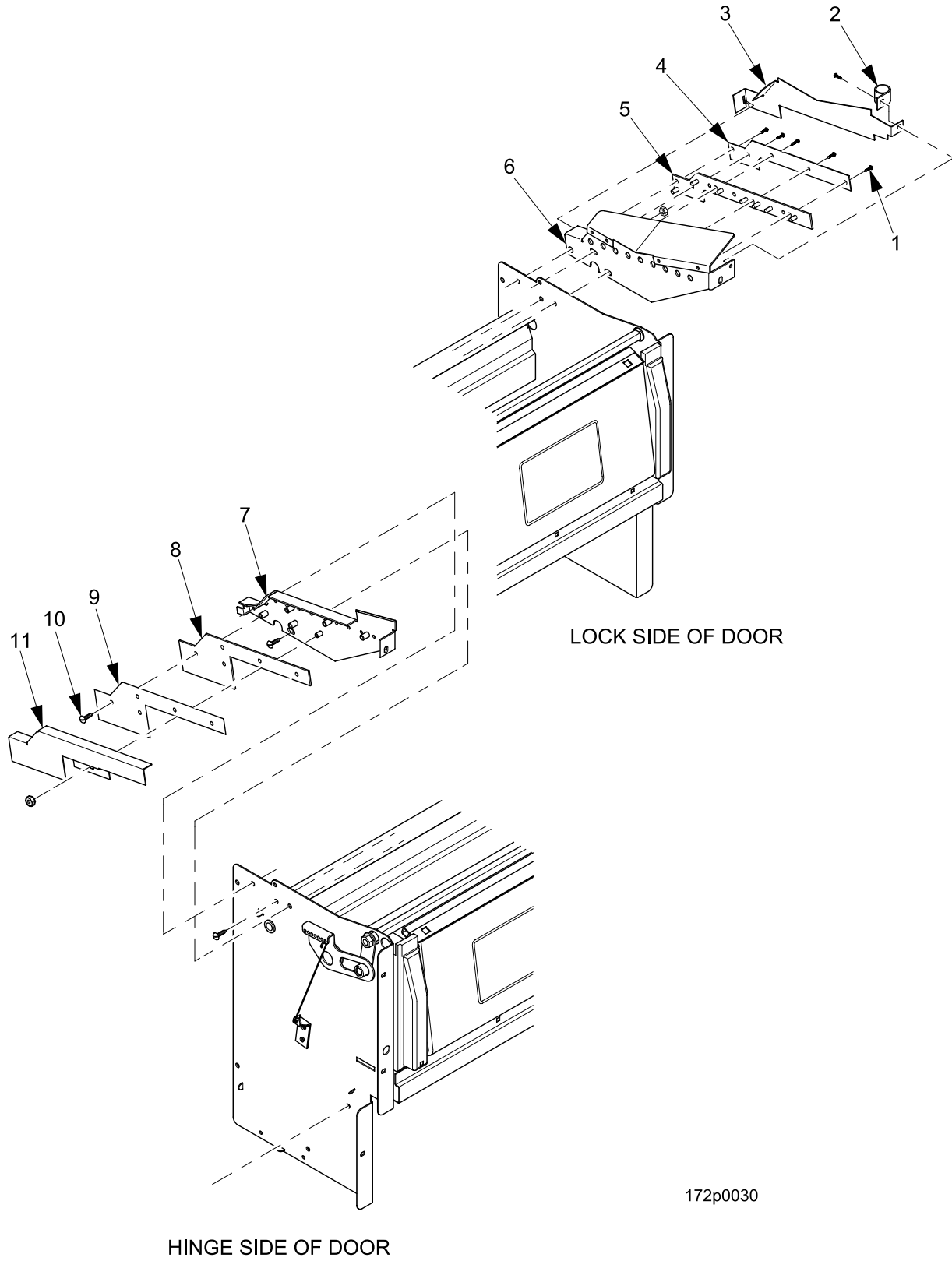


FIGURE 12: DELIVERY PAN SIDE PLATES

TABLE 12: DELIVERY PAN SIDE PLATES

INDEX	PART NUMBER	DESCRIPTION	QTY.
1	1572315	SPACER - DELIVERY DOOR	2
2	1572452	SLEEVE - PILFER DOOR - LEFT HAND	1
3	1572353	ARM ASSEMBLY - SPRING ASSIST SLEEVE - DELIVERY DOOR	1
4	9900184	NUT 1/4-20 SELF - LOCKING	6
5	1572423	ACTUATOR ASSEMBLY - SPRING ASSIST	1
6	9900437	RETAINING RING REINF E TYP.375	2
7	1572420	SPRING	1
8	1572317	COLLAR - SPRING ASSIST ARM	1
9	9900081	NUT #8-32 KEPS ZINC PLATE	11
10	1572421	ANCHOR - SPRING	1
11	1572424	SIDE PLATE ASSEMBLY - LEFT HAND	1
12	1572269	SCREW - #6-19 X .50 HEX W/HD.-TF	4
13	1672039	DEFLECTOR - INNER - LEFT HAND - FLT "T" BLACK	1
14	1572229	FILLER - LEFT HAND	1
15	1672084	CHANNEL - FILLER MOUNT	2
16	1672038	DEFLECTOR - INNER - RIGHT HAND - FLT "T" BLACK	1
17	1572230	FILLER - RIGHT HAND	1
18	1572425	SIDE PLATE ASSEMBLY - RIGHT HAND	1
19	1572417	SLEEVE - PILFER & REAR DOOR - RIGHT HAND	2
20	1572410	LINKAGE ASSEMBLY - RIGHT HAND	1
21	1572029	DEFLECTOR - PRODUCT - RIGHT HAND	1



172p0030

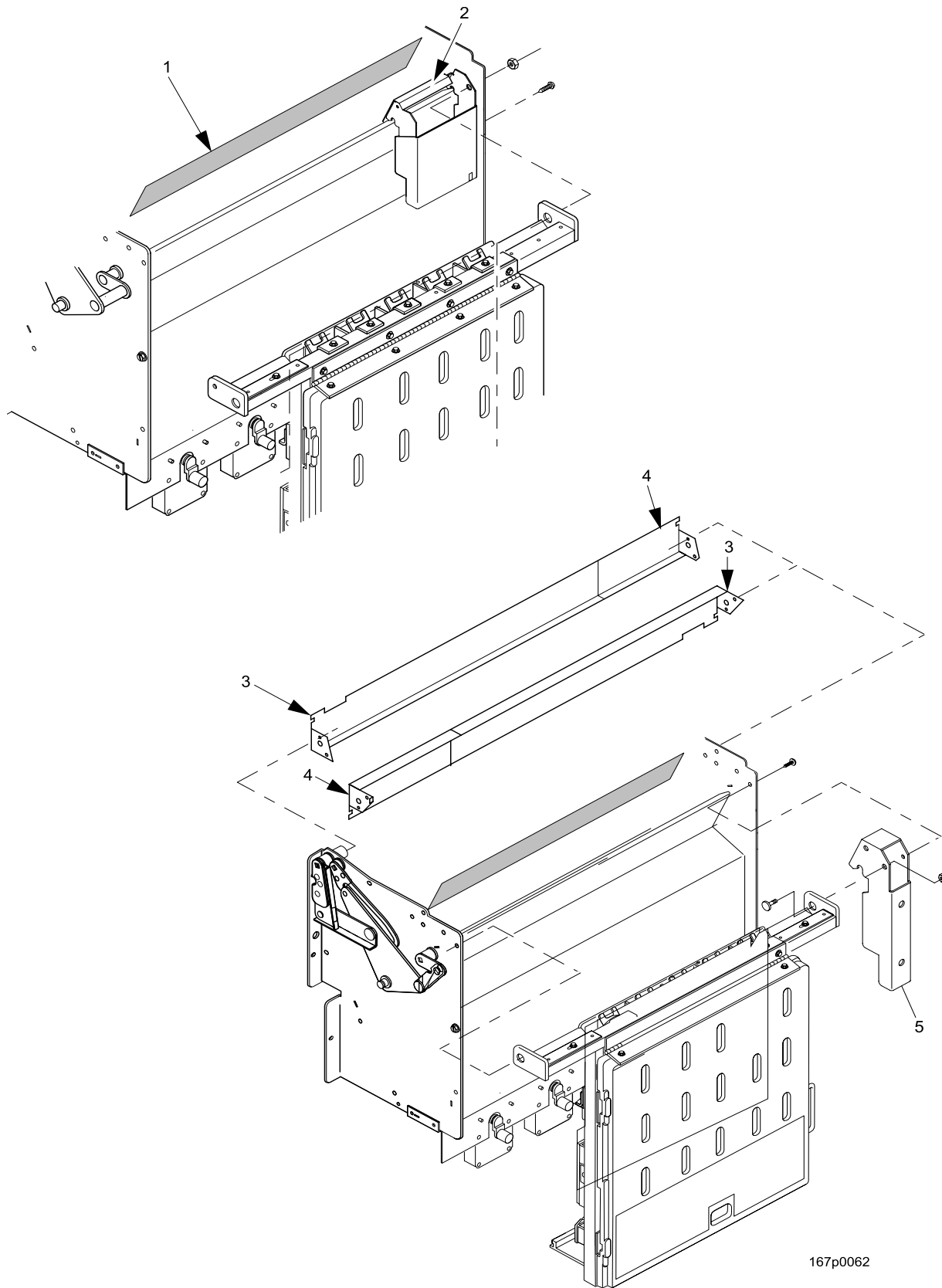
FIGURE 13: POSIVEND EMITTER AND RECEIVER

TABLE 13A: POSIVEND EMITTER

INDEX	PART NUMBER	DESCRIPTION	QTY
1	5262216	#6-32X1/4 PPHD M SCR	5
2	1452139	RETAINER - HARNESS (172)	1
	4732024	RETAINER - HARNESS (173)	
3	1672043	COVER - PCB - LEFT HAND	1
4	1672050	PAPER BACKING - LEFT PCB	1
5	1726001	PCB ASSEMBLY - PRODUCT DETECTION LED (172 173 452 453)	1
	1676011	PCB ASSEMBLY - PRODUCT DETECTION LED (172 452 453)	
6	1672029	SENSOR BRACKET ASSEMBLY - LEFT	1

TABLE 13B: POSIVEND RECEIVER

INDEX	PART NUMBER	DESCRIPTION	QTY
7	1672032	SENSOR BRACKET ASSEMBLY - RIGHT	1
8	1726000	PCB ASSEMBLY - PRODUCT DETECTOR - RECEIVER (172 173 452 453)	1
	1676000	PCB ASSEMBLY - PRODUCT DETECTOR - RECEIVER (172 452 453)	
9	1672051	PAPER BACKING - RIGHT PCB	1
10	5262216	1632104 #6-32X1/4 PPHD M SCR	5
11	1672044	COVER - PCB - RIGHT HAND	1



167p0062

FIGURE 14: DEFLECTORS AND DECAL

TABLE 14: DEFLECTORS AND DECAL

INDEX	PART NUMBER	DESCRIPTION	QTY
1	1672052	LABEL - GUM & MINT - MATTE	1
2	1672056	PRODUCT DEFLECTOR ASSEMBLY - RIGHT HAND (172 452)	1
3	1672055	FILLER ASSEMBLY -RIGHT - DELIVERY PAN	2
4	1672054	FILLER ASSEMBLY - LEFT - DELIVERY PAN	2
5	1682054	PRODUCT DEFLECTOR ASSEMBLY - RIGHT HAND (173 453)	1

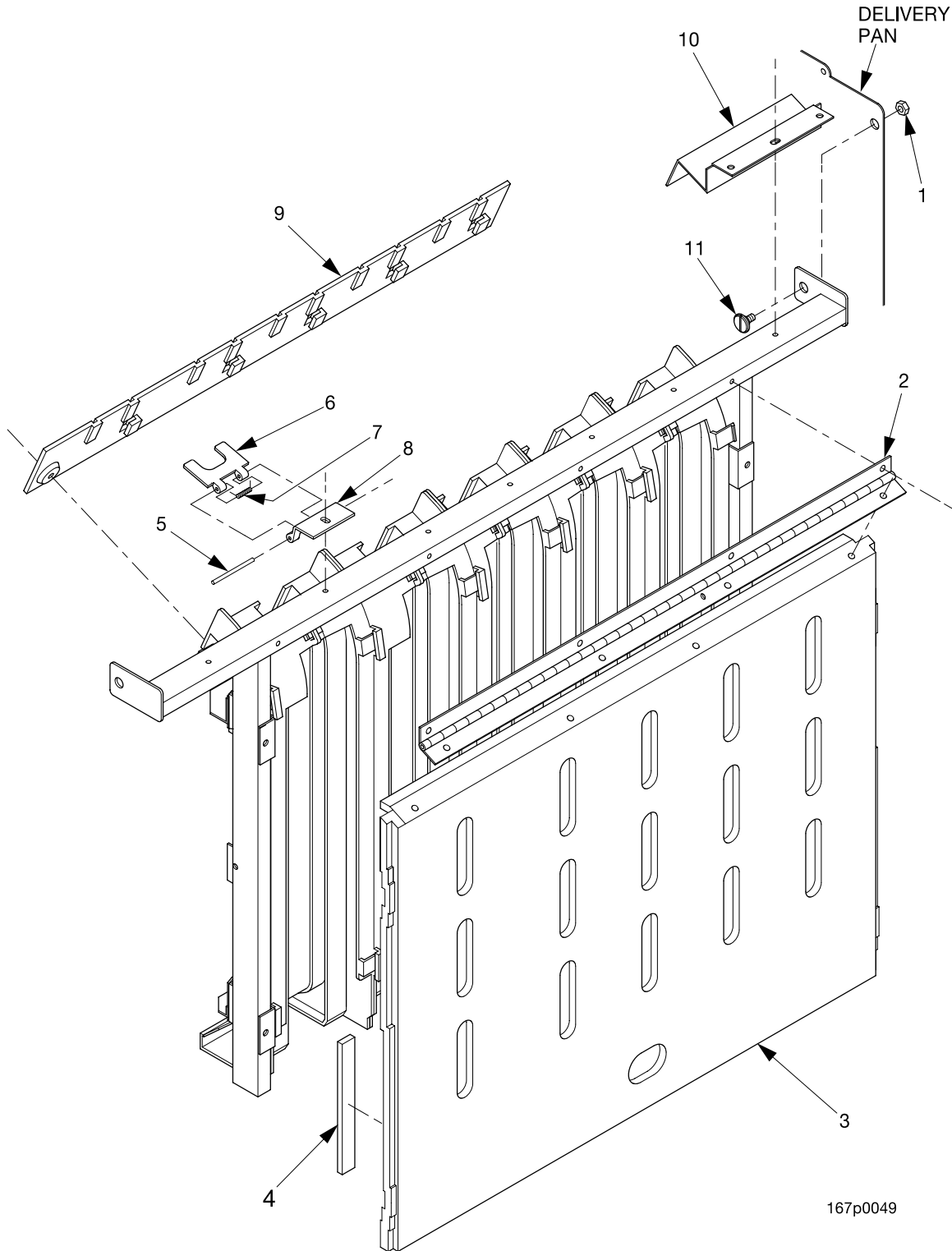


FIGURE 15: GUM AND MINT ASSEMBLY (PART 1 OF 2)

TABLE 15: GUM AND MINT ASSEMBLY (PART 1 OF 2)

INDEX	PART NUMBER	DESCRIPTION	QTY.
--	1577000	GUM & MINT COLUMN (172 452)	--
	1582136	GUM & MINT COLUMN (173 453)	
1	9900206	NUT #10-32 SELF-LOCKING	2
2	1479104	HINGE - COVER	1
--	1479125	COVER ASSEMBLY (INCLUDES INDEX 3 4)	--
3	1479101	COVER - GUM & MINT	1
4	1479119	MAGNET - RETAINER	2
5	1479083	PIN - HINGE	5
6	1479081	HINGE - FRONT	5
7	1479084	SPRING - HINGE	5
8	1479082	HINGE - BACK	5
9	1479105	WINDOW - GUM & MINT	1
10	1479103	FILLER - GUM & MINT	2
11	1479052	STUD - PIVOT - G & M	2
--	1677024	PRODUCT GUIDE ASSEMBLY - TOP	1

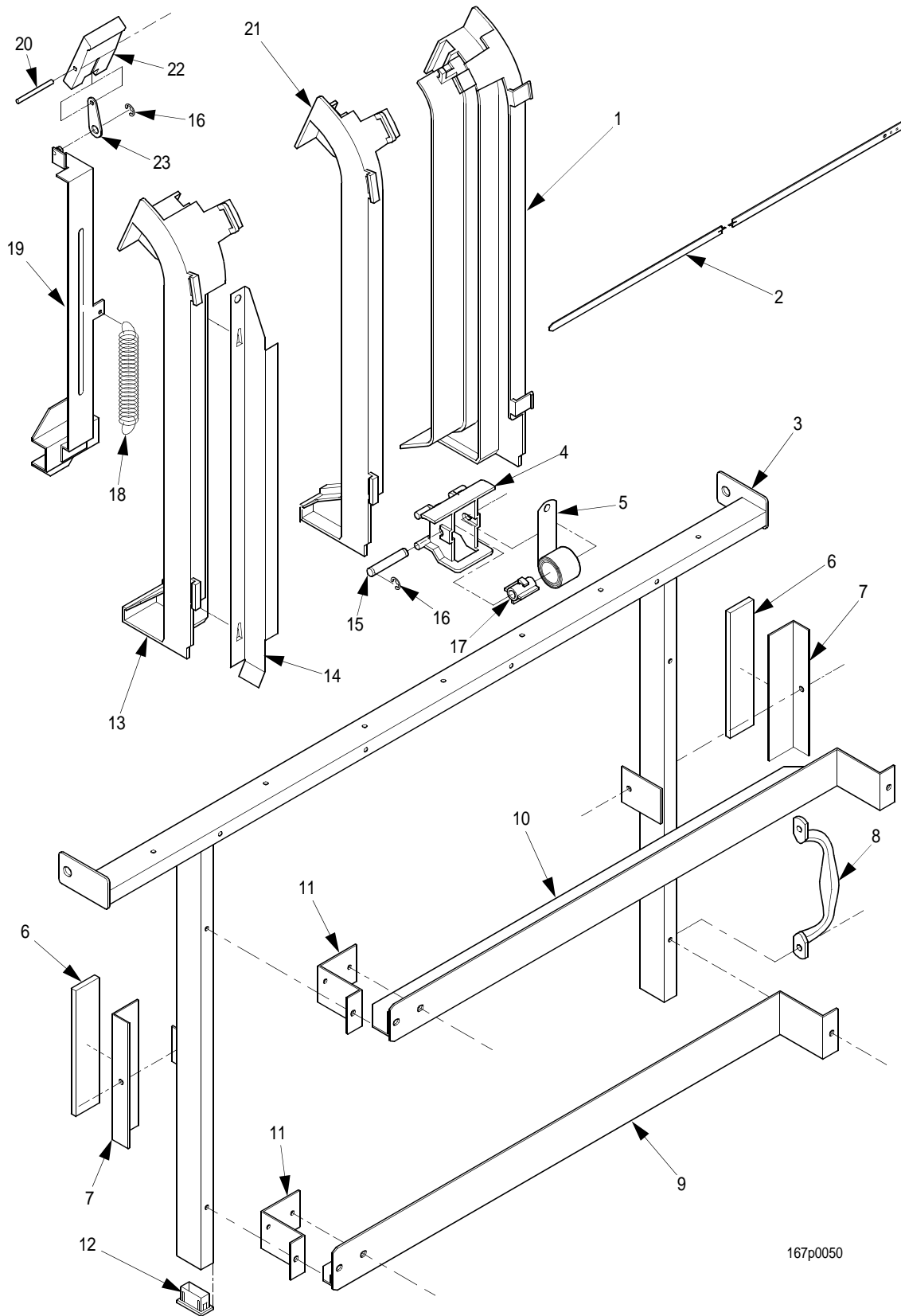


FIGURE 16: GUM AND MINT ASSEMBLY (PART 2 OF 2)

TABLE 16: GUM AND MINT ASSEMBLY (PART 2 OF 2)

INDEX	PART NUMBER	DESCRIPTION	QTY.
--	1479130	MAGAZINE ASSEMBLY - GUM & MINT (172 452)	--
	1489006	MAGAZINE ASSEMBLY - GUM & MINT (173 453)	
1	1479075	CHANNEL - GUM & MINT - LEFT	5
2	1579053	RETAINER	3
3	1479136	FRAME ASSEMBLY - GUM & MINT (172	1
	1489008	FRAME ASSEMBLY - GUM & MINT (173)	
4	1479079	PUSHER	5
5	1479106	SPRING - PUSHER	5
6	3122056	MAGNET RETAINER - COIN CHANGER	2
7	1479117	ANGLE - MAGNET	2
8	1479139	PULL - DOOR	1
9	1479092	SUPPORT ASSEMBLY - MAGAZINE - LOWER	1
10	1479089	SUPPORT ASSEMBLY - MAGAZINE - UPPER	1
11	1479095	BRACKET - MAGAZINE	2
12	1479120	CAPLUG - REC. ½ X 1	2
13	1479077	CHANNEL - GUM & MINT - RIGHT - LARGE	2
14	1479064	SPACER - COLUMN - GUM & MINT	2
15	1479099	PIN - PUSHER	5
16	9900425	RETAINING RING REINF E TYP. 250	15
17	1479080	SPOOL - SPRING	5
18	4246307	SPRING - HORIZONTAL SELECTOR ARM	5
19	1677171	DRIVE BAR & STUD ASSEMBLY	5
20	1479098	PIN - EJECTOR	5
21	1479076	CHANNEL - GUM & MINT - RIGHT - SMALL	3
22	1479078	EJECTOR - GUM & MINT	5
23	1479097	LINK - EJECTOR	5
--	1679061	HARNESS - GUM & MINT - 4 & 5 MOTOR (NOT SHOWN)	1

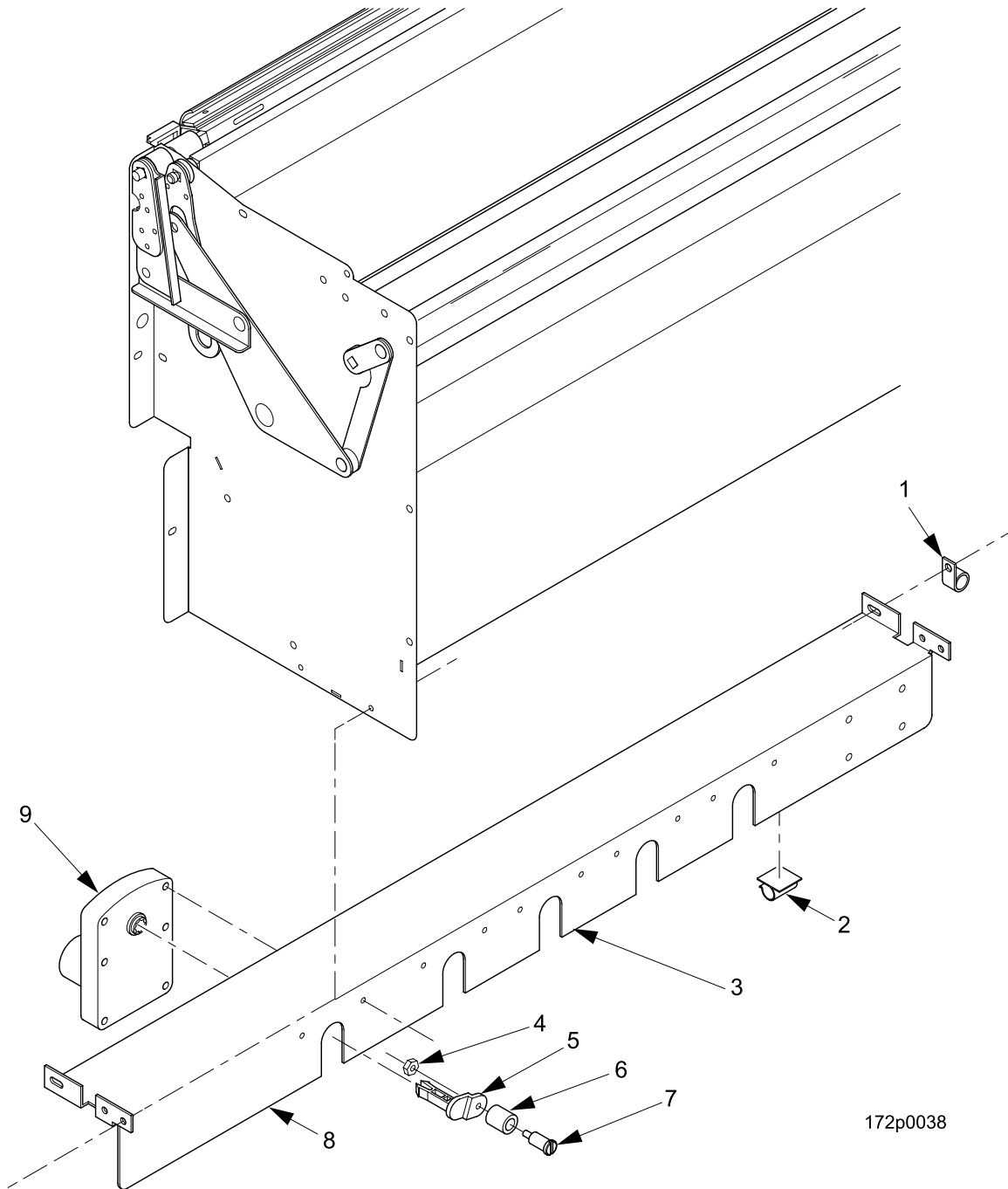
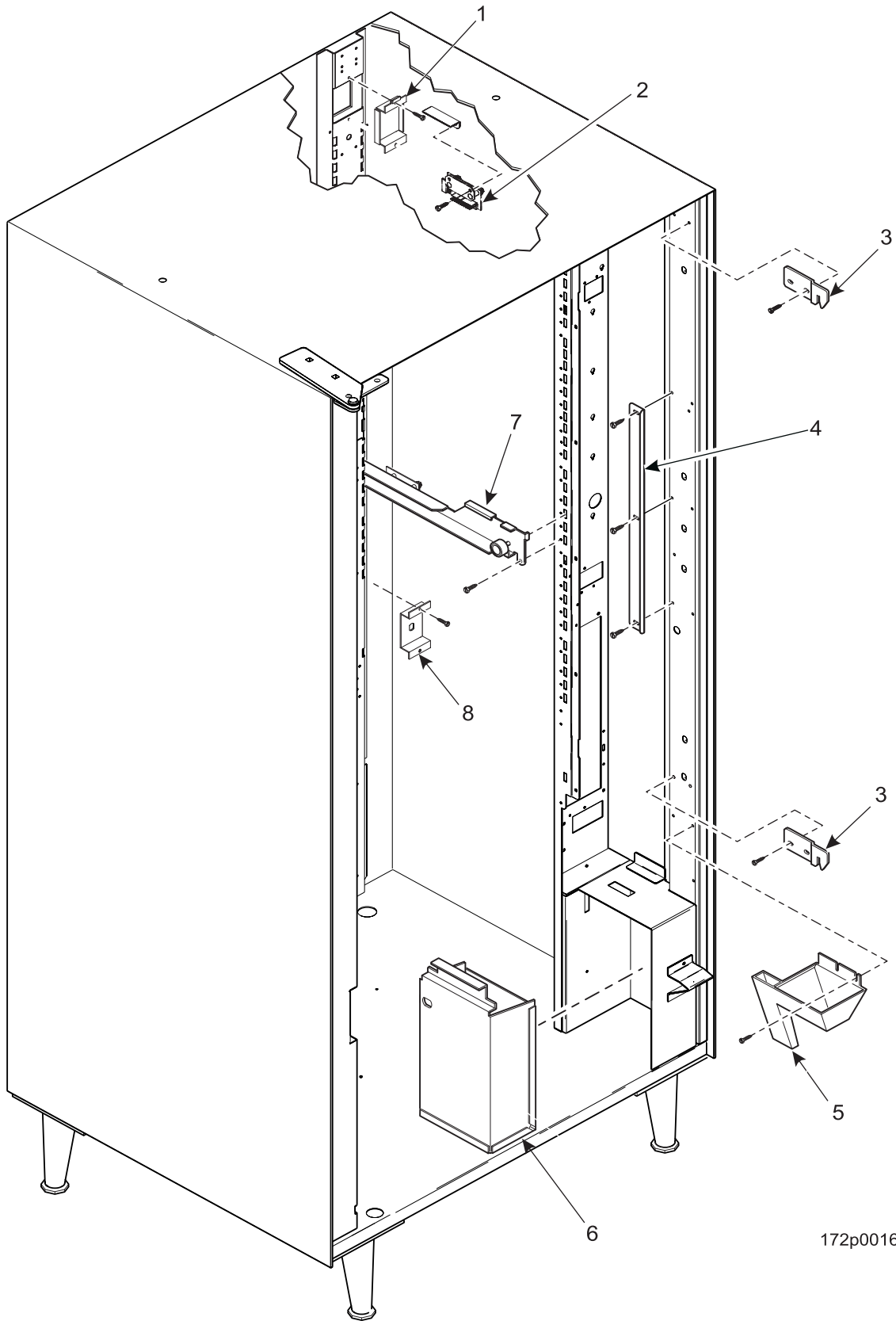


FIGURE 17: MOTOR AND ANGLE ASSEMBLY

TABLE 17: MOTOR AND ANGLE ASSEMBLY

INDEX	PART NUMBER	DESCRIPTION	QTY.
--	1677175	MOTOR & ANGLE ASSEMBLY	--
1	1452139	RETAINER - HARNESS (172 452)	1
	4732024	RETAINER - HARNESS (173 453)	
2	6131143	CABLE CLAMP - RICHCO #KKC6	2
3	1582137	ANGLE - MOTOR (173 453)	1
	1572351	ANGLE - MOTOR (172 452)	
--	1479126	ARM & ROLLER ASSEMBLY (NEXT 4 ITEMS)	5
4	9900081	NUT #8-32 KEPS ZINC PLATE	1
5	1479145	ARM - DRIVE MOTOR	1
6	1479063	ROLLER - DRIVE ARM	1
7	1479062	STUD - DRIVE ARM	1
8	1677014	BRACKET - MOTOR MOUNTING	1
9	1577038	MOTOR & PC BOARD ASSEMBLY	5
	1477114	MOTOR & PC BOARD ASSEMBLY	

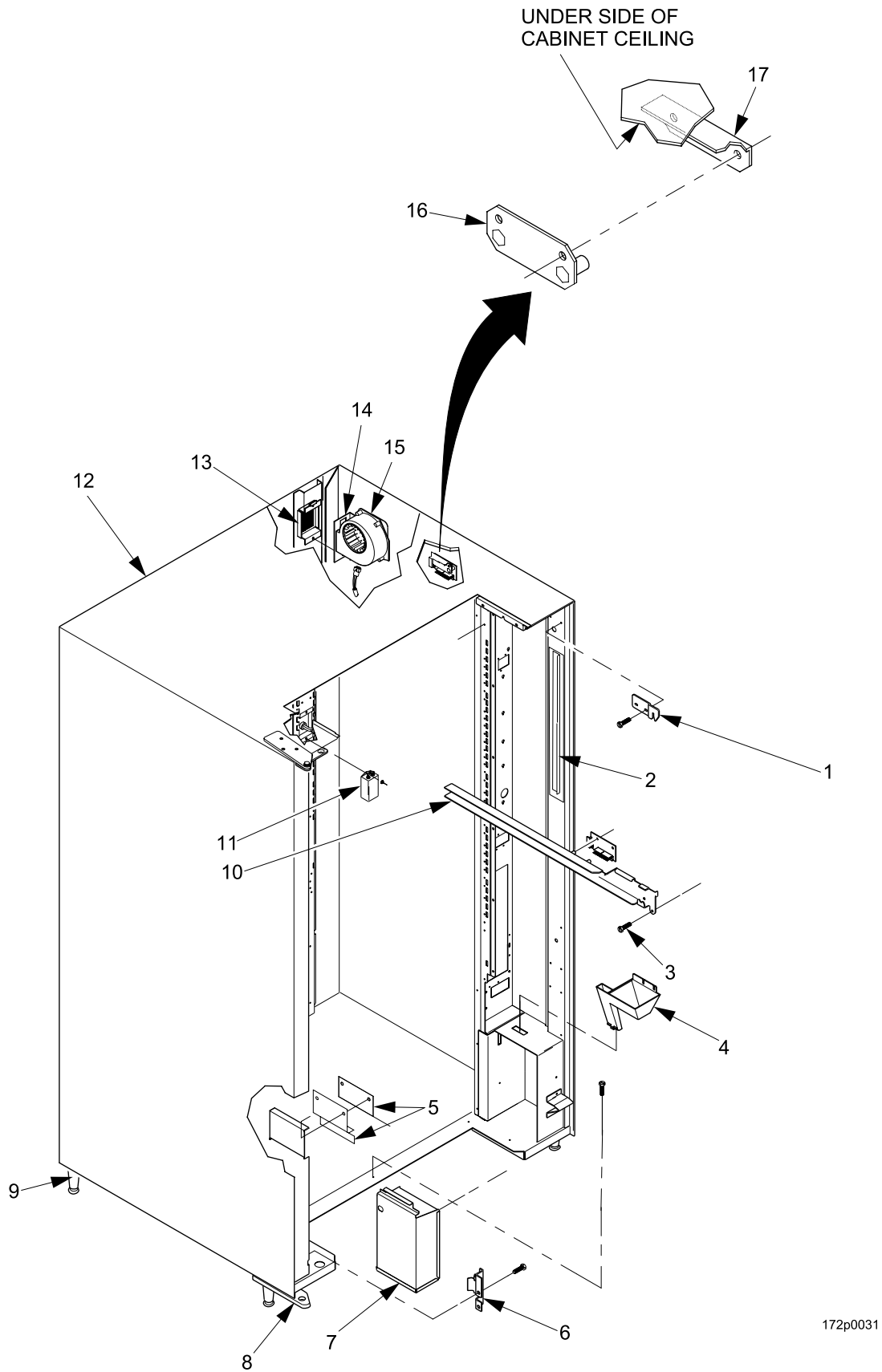


172p0016

FIGURE 18: CABINET - LOOSE PARTS

TABLE 18: CABINET - LOOSE PARTS

INDEX	PART NUMBER	DESCRIPTION	QTY
1	1471054	BRACKET & SCREEN ASSEMBLY - EXHAUST	1
	1471090	COVER - FAN HOLE (NO FAN OPTION)	
2	1571183	PCB & PLATE ASSEMBLY (NEXT 2 ITEMS)	1
--	1596014	PCB ASSEMBLY - TRAY	--
--	1571175	PLATE - PCB RAIL - MOUNTING	--
3	1571074	LOCK - ARM CABINET	1
4	1571022	STOP - MONETARY PANEL	2
5	6231242	CHUTE - PAYOUT	1
6	1571029	MONEY BOX ASSEMBLY	1
7	1701009	TRAY GUIDE RAIL/PCB ASSEMBLY - RIGHT HAND (LOCK SIDE) (SEE TABLE 20 FOR DETAILS)	1
	1701006	TRAY GUIDE RAIL ASSEMBLY - LEFT HAND (HINGE SIDE) (NOT SHOWN)	4
8	4527034	BRACKET - MOUNTING - POWER CORD - WITH NOTCH (USED WITH WEDGE OPTION)	1
	1471065	BRACKET - MOUNTING - POWER CORD - WITHOUT NOTCH (NOT SHOWN) (USED WHEN WEDGE OPTION IS NOT USED)	



172p0031

FIGURE 19: COMMON CABINET

TABLE 19: COMMON CABINET

INDEX	PART NUMBER	DESCRIPTION	QTY.
1	1571074	LOCK ARM - CABINET	2
2	1571022	STOP - MONETARY PANEL	2
3	1451097	SCREW - #8-32X.31 HEX HD.TF-BLACK	--
4	6231242	CHUTE - PAYOUT	1
5	1581039	DEFLECTOR ASSEMBLY - SMALL SNACK	1
6	1571090	PLATE ASSEMBLY - DOOR CHECK	1
7	1571029	MONEY BOX ASSEMBLY	1
8	6231163	LEG HINGE & LEVELER ASSEMBLY (SEE TABLE 22 FOR DETAILS)	1
9	1471237	LEG & LEVELER ASSEMBLY - CABINET (SEE TABLE 22 FOR DETAILS)	3
10	1701008	TRAY GUIDE RAIL - W/STANDOFFS (RIGHT HAND SIDE ALL EXCEPT TOP TRAY)	OPT.
11	9989110	FILTER - POWER LINE - EMI	1
12	4531036	WELD ASSEMBLY - CABINET - 32" (173 453)	1
	4521046	WELD ASSEMBLY - CABINET - 38" (172 452)	
13	1471054	BRACKET & SCREEN ASSEMBLY - EXHAUST	1
	1471090	COVER - FAN HOLE (NOT SHOWN) (NO FAN OPTION ONLY)	
14	1471398	BRACKET - EXHAUST FAN	1
15	6331073	BLOWER ASSEMBLY - 120V	1
	6331074	BLOWER ASSEMBLY - 230V	
16	1571175	PLATE - PCB RAIL - MOUNTING (TOP TRAY PCB ONLY)	1
17	1571120	CHANNEL - STIFFENER - CABINET BACK	OPT
--	1701006	TRAY GUIDE RAIL ASSEMBLY - LEFT HAND (NOT SHOWN)	7
--	1701005	TRAY GUIDE RAIL ASSEMBLY - RIGHT HAND (NOT SHOWN)	6

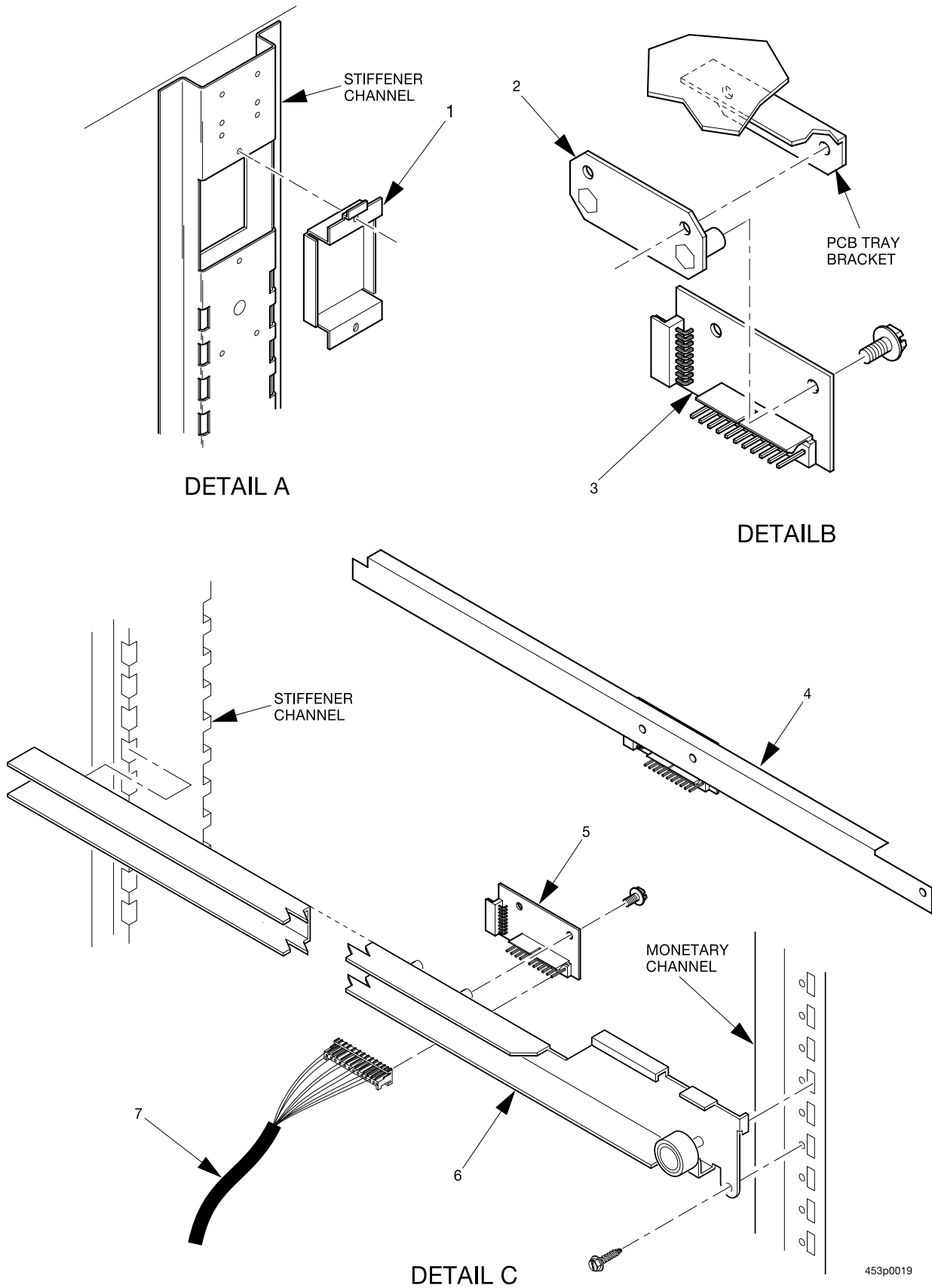


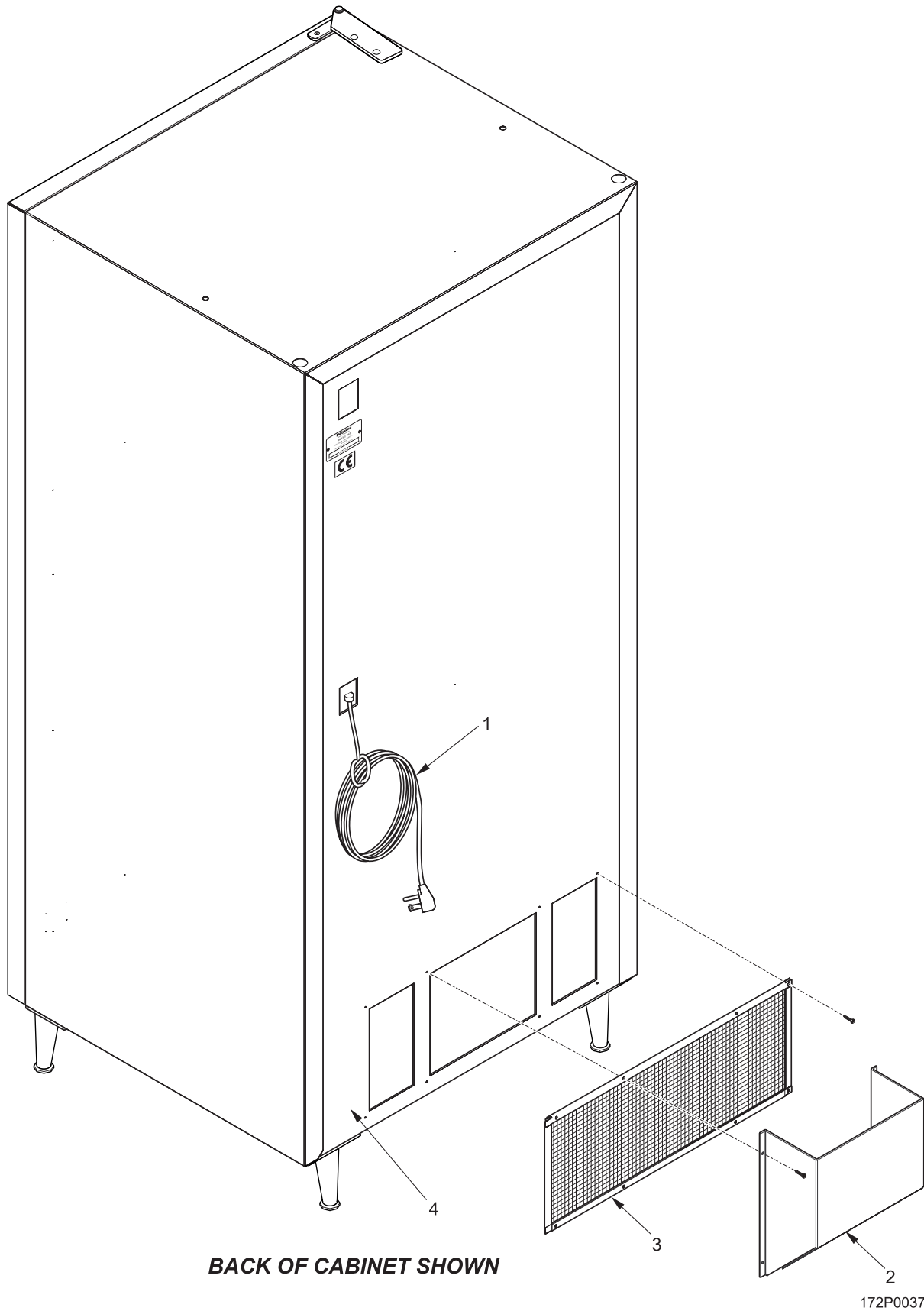
FIGURE 20: CABINET DETAILS

453p0019

TABLE 20: CABINET DETAILS

INDEX	PART NUMBER	DESCRIPTION	QTY.
1	1471090	COVER - FAN HOLE	1
2	1571175	PLATE - PCB RAIL MOUNTING	1
3	1596014	PCB ASSEMBLY - TRAY (USED WITH TOP TRAY OR WEDGE UNIT)	1
4	4527033	RAIL ASSEMBLY - PCB MOUNTING	2*
5	1701009	TRAY GUIDE RAIL/PCB ASSEMBLY - RIGHT HAND (LOCK SIDE)	3
6	1701005	TRAY GUIDE RAIL ASSEMBLY - RIGHT HAND (LOCK SIDE) (USED WITH BOTTOM TRAY)	1
7	1709018	HARNESS - TRAY EXTENSION (ACCESSORY)	OPT.

* 1 PER WEDGE CHANNEL ASSEMBLY



BACK OF CABINET SHOWN

FIGURE 21: CABINET BACK

172P0037

TABLE 21: CABINET BACK

INDEX	PART NUMBER	DESCRIPTION	QTY.
1	9989576	POWER CORD - W/BSI PLUG	1
	9989577	POWER CORD - EURO PLUG	
	9989841	POWER CORD 18AWG - DOM . -90D PLUG	
	9989560	POWER CORD - FOREIGN - AUSTRALIA/NEW ZEALAND	
2	4521018	DUCT - CONDENSER OUTLET	1
3	4971007	SCREEN ASSEMBLY - VENT (452 453)	1
	4521021	SCREEN ASSEMBLY - VENT (452 453)	
4	1571198	WELD ASSEMBLY - CABINET BACK (172 452)	1
	1581063	WELD ASSEMBLY - CABINET BACK (173 453)	

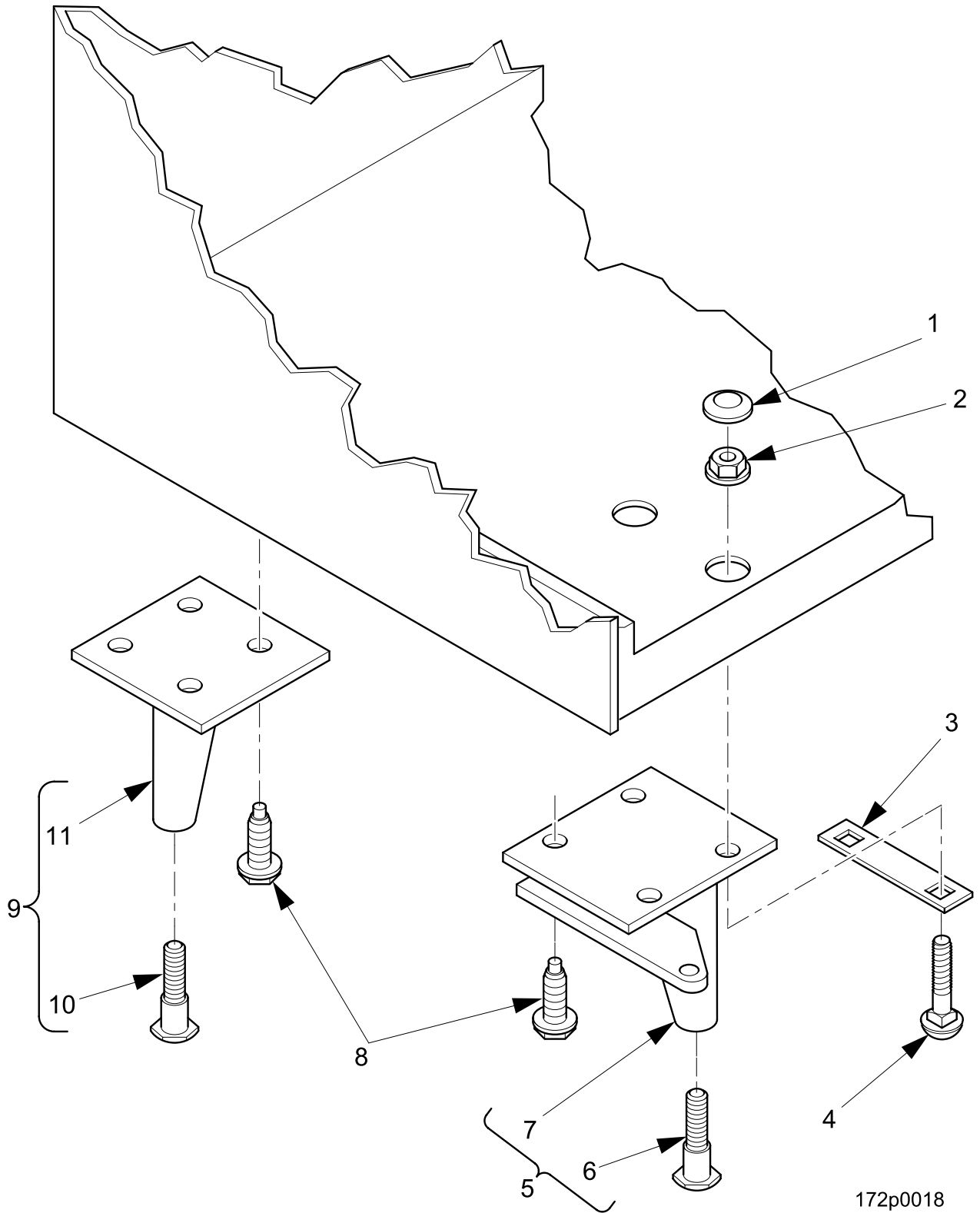


FIGURE 22: LEG, LEVELER, AND LEG AND HINGE ASSEMBLIES

TABLE 22: LEG, LEVELER, AND LEG AND HINGE ASSEMBLIES

INDEX	PART NUMBER	DESCRIPTION	QTY.
1	6231034	PLUG - HOLE (NOT USED IN ALL APPLICATIONS)	2
2	1172021	NUT - 1/4-20 WHIZ-LOCK	2
3	6231203	PLATE - HINGE LEG BOLT	1
4	1211112	TRAY BOLT	2
5	6231163	LEG, HINGE, AND LEVELER ASSEMBLY (NEXT 2 ITEMS)	1
6	1471098	LEVELER - CABINET	1
7	1571115	LEG AND HINGE ASSEMBLY	1
8	9900218	SCREW - # 5/16 X 1 W/LOCKING RING	14
9	1471237	LEG AND LEVELER ASSEMBLY - CABINET (NEXT 2 ITEMS)	3
10	4311068	LEG ASSEMBLY - CABINET - WELD	1
11	1471098	LEVELER - CABINET	1

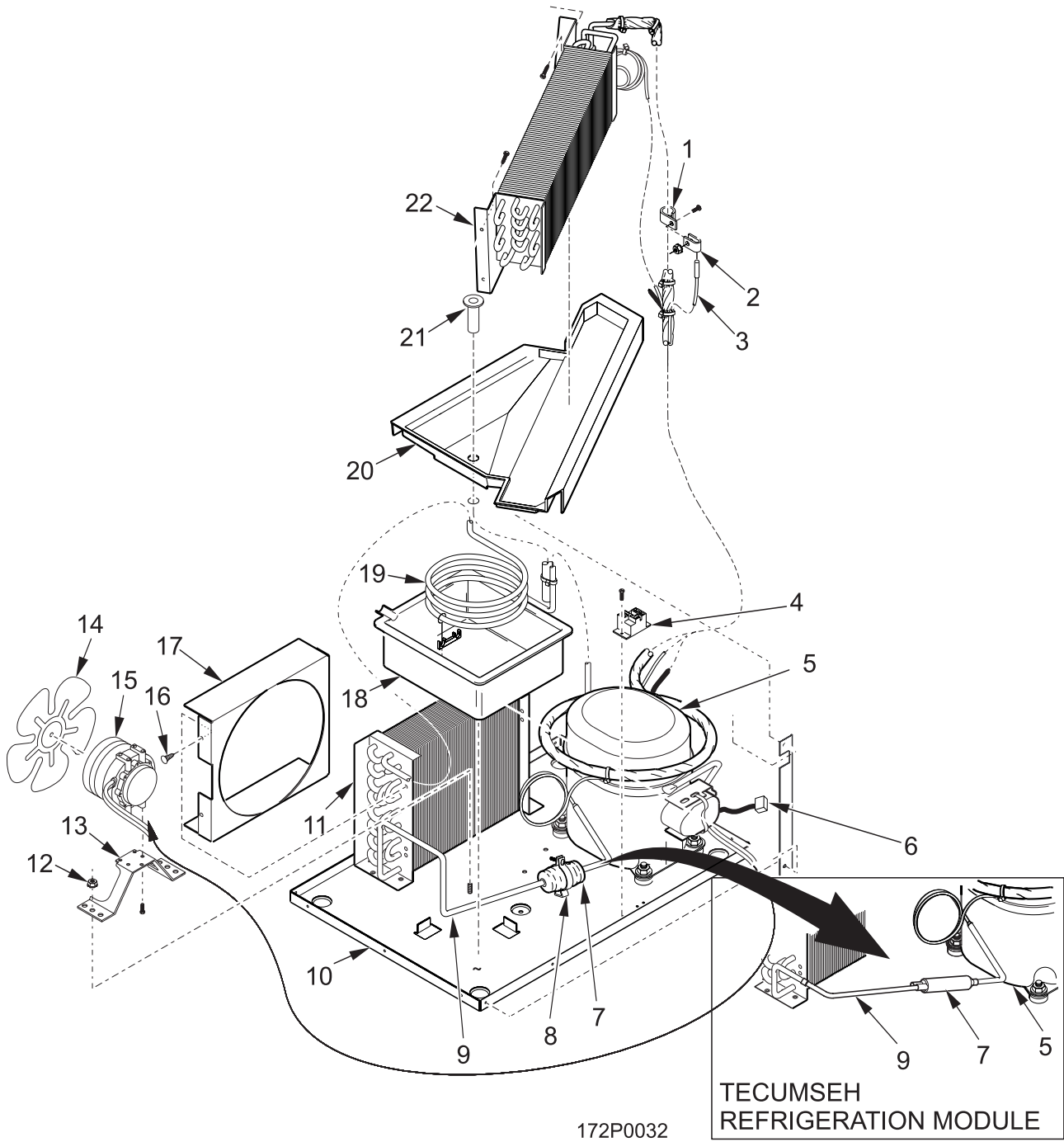


FIGURE 23: REFRIGERATION MODULE (452 & 453 ONLY)

TABLE 23: REFRIGERATION MODULE (452 & 453 ONLY)

INDEX	PART NUMBER	DESCRIPTION	QTY.
--	4534070	REFRIGERATION MODULE - 115V	--
	4534069	REFRIGERATION MODULE ASSEMBLY - FINAL - 230V	
1	4732024	RETAINER - HARNESS	1
2	1211161	CABLE CLAMP - RICHCO#N4	1
3	9987852	PROBE - TEMPERATURE SENSOR	1
4	9989677	RELAY - SPDT.24VDC - PANEL MOUNT	1
5	4614135	COMPRESSOR - 115V - R134A	1
	4534073	COMPRESSOR - 220V - NE5187Z	
6	4529001	HARNESS - COMPRESSOR W/RELAY	1
7	4364034	FILTER/DRIER - REFRIGERANT 115V	1
	4304194	DRIER - C - 032S 1/4 SWEAT V 230V	
8	4304195	HANGER - DRIER	1
9	4534072	TUBE - CONDENSER TO DRIER - 115V	1
	4534031	TUBE - CONDENSER TO DRIER - 230V	
10	4534071	BASE & STUD ASSEMBLY - 115 VOLT	1
	4534021	BASE & STUD ASSEMBLY - 220V	
11	3634002	CONDENSER	1
12	1211105	1/4-20 KEPS NUT EXT LW ZP	7
13	4744009	BRACKET - CONDENSER MOTOR	1
14	4774027	BLADE - CONDENSER FAN	1
15	4304092	MOTOR - CONDENSER FAN - 115V	1
	4774122	MOTOR - CONDENSER FAN - 230V	
16	9900009	SCREW #6-32 X 3/8 RHS W/LKW	4
17	4774111	SHROUD - CONDENSER FAN	1
18	7644006	PAN - CONDENSATE - .050 ALUMINUM	1
19	4534023	TUBE - DISCHARGE LINE	1
20	4534012	PAN - CONDENSATE - EVAPORATOR	1
21	4301152	DRAIN - CONDENSATE	1
22	4534024	EVAPORATOR & TUBE ASSEMBLY	1

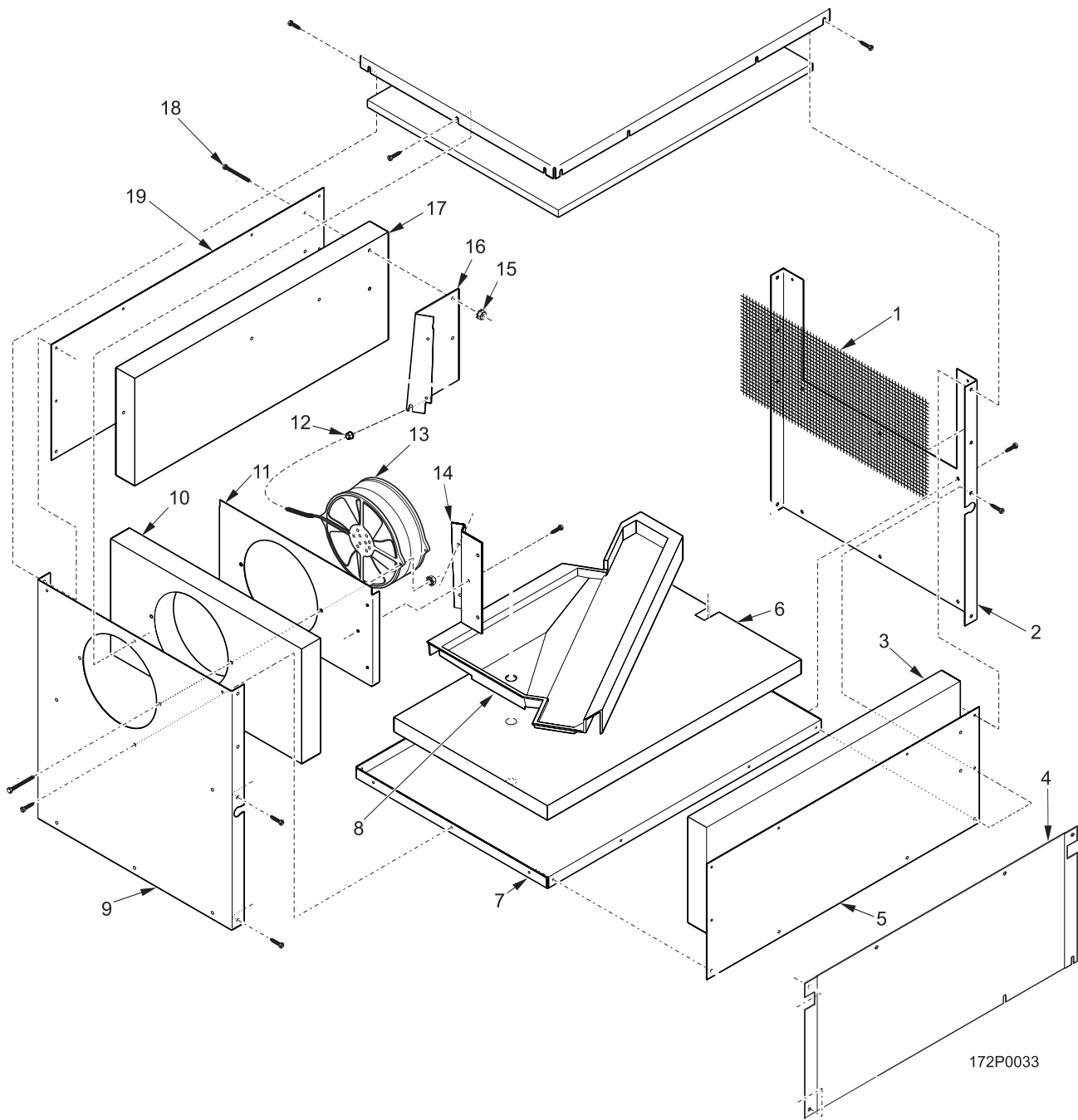
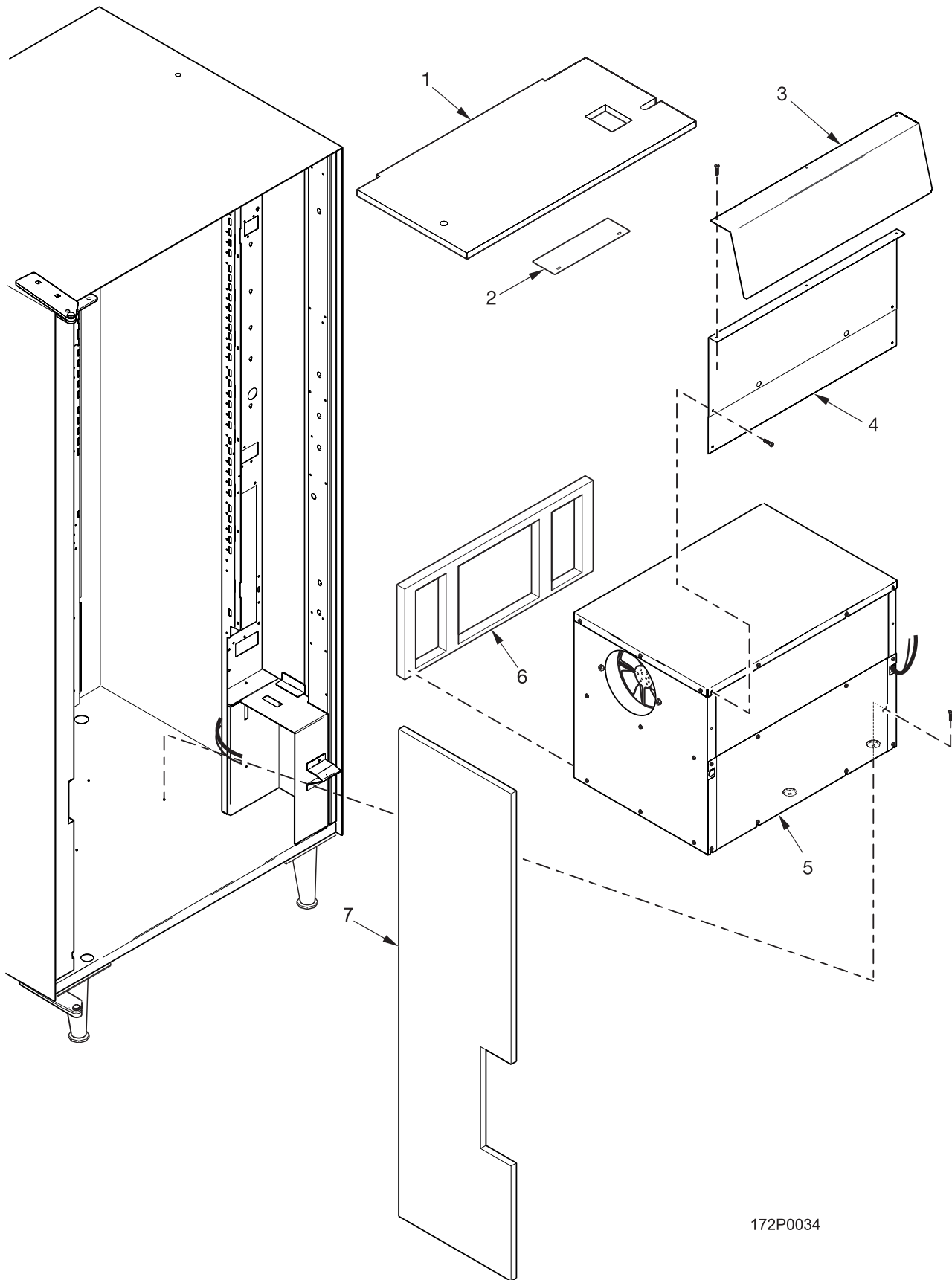


FIGURE 24: CABINET ASSEMBLY - REFRIGERATION (452 & 453 ONLY)

TABLE 24: CABINET ASSEMBLY - REFRIGERATION (452 & 453 ONLY)

INDEX	PART NUMBER	DESCRIPTION	QTY.
--	4534019	CABINET ASSEMBLY - REFRIGERATION	--
1	4534036	SCREEN - EVAPORATOR INLET	1
2	4534002	SIDE - AIR - RETURN	1
3	4534010	FOAM - SIDE - FRONT	1
4	4534005	PANEL - ACCESS	1
5	4534014	PANEL - EVAPORATOR - FRONT	1
6	4534009	FOAM - BOTTOM	1
7	4534015	BASE - EVAPORATOR - SECTION	1
8	4534012	PAN - CONDENSATE - EVAPORATOR	1
9	4534003	SIDE - FAN - END	1
10	4534008	FOAM - END	1
11	4534017	PANEL - FAN MOUNT	1
12	3502097	BUSHING #OCB-500	1
13	4614144	FAN - EVAPORATOR - 115V	1
	4314054	FAN - EVAPORATOR - AXIAL - FOREIGN	
14	4534007	BRACKET - EVAPORATOR - FAN - END	1
15	9900081	NUT #8-32 KEPS ZINC PLATE	2
16	4534006	BRACKET - EVAPORATOR - CONNECTION - END	1
17	4534028	FOAM - SIDE - REAR	1
18	4534029	SCREW - #8-32 X 2.25 HEX MACH	2
19	4534013	PANEL - EVAPORATOR - REAR	1



172P0034

FIGURE 25: INSULATION - REFRIGERATION MODULE (452 & 453 ONLY)

TABLE 25: INSULATION - REFRIGERATION MODULE (452 & 453 ONLY)

INDEX	PART NUMBER	DESCRIPTION	QTY.
1	4521016	INSULATION - CABINET TOP - 38" - BLACK	1
	4521029	INSULATION - CABINET TOP - WEDGE	
	4531003	INSULATION - CABINET TOP - 32" - BLACK	
	4531028	INSULATION - CABINET TOP - 32" - BLACK	
2	4621003	RETAINER - TOP INSULATION	1
3	4534038	BAFFLE - FILLER - TOP	1
4	4534037	BAFFLE - FILLER - BOTTOM	1
5	4534070	REFRIGERATION MODULE - 115V	1
	4534069	REFRIGERATION MODULE ASSEMBLY - FINAL - 230V	
6	4521017	GASKET - CABINET/REFRIGERATION MODULE	1
7	4521013	INSULATION - RIGHT SIDE - BLACK	1

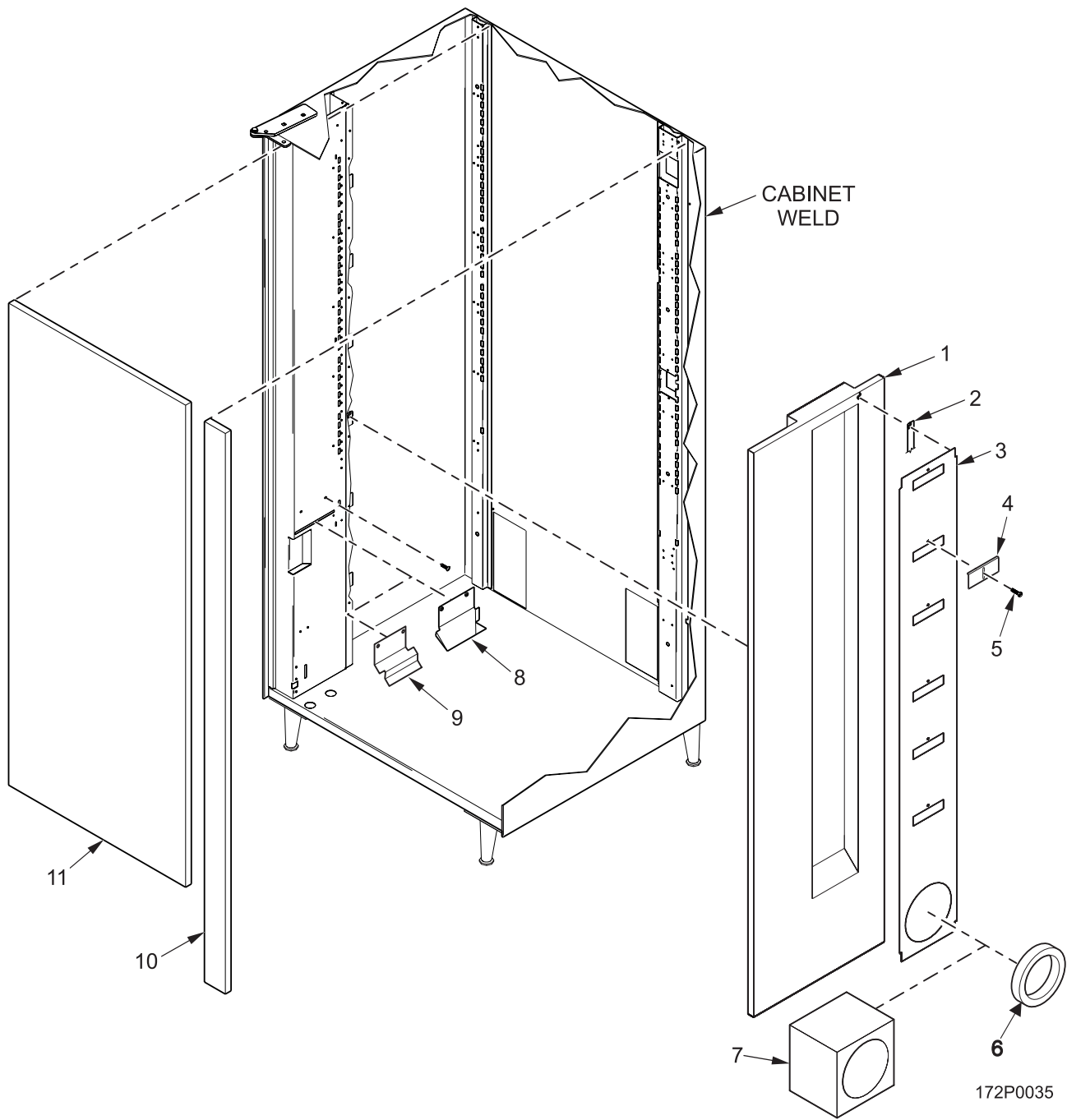


FIGURE 26: CABINET INSULATION (452 & 453 ONLY)

TABLE 26: CABINET INSULATION (452 & 453 ONLY)

INDEX	PART NUMBER	DESCRIPTION	QTY.
--	4521038	COVER & AIR DUCT ASSEMBLY - 38" - BLACK	--
	4531029	COVER & AIR DUCT ASSEMBLY - 32" - BLACK	
1	4521037	INSULATION - DUCT LEFT HAND SIDE (HINGE SIDE) - BLACK	1
2	4640040	TAPE - FOAM - DOUBLE COATED	2
3	4521012	COVER - AIR DUCT	1
4	4611007	SHUTTER - AIR DUCT	6
5	1451097	SCREW - #8-32X.31 HEX HD.TF - BLACK	6
6	4614126	GASKET - AIR DUCT	1
7	4521024	INSULATION - EXTENSION - BLACK	1
8	1581039	DEFLECTOR ASSEMBLY - SMALL SNACK	1
9	1571123	DEFLECTOR - LARGE SNACK	1
10	4521014	INSULATION - RIGHT SIDEPiece - BLACK	1
11	4641058	INSULATION - CABINET BACK - 38" - BLACK	1
	4641068	INSULATION - CABINET BACK - 32" - BLACK	

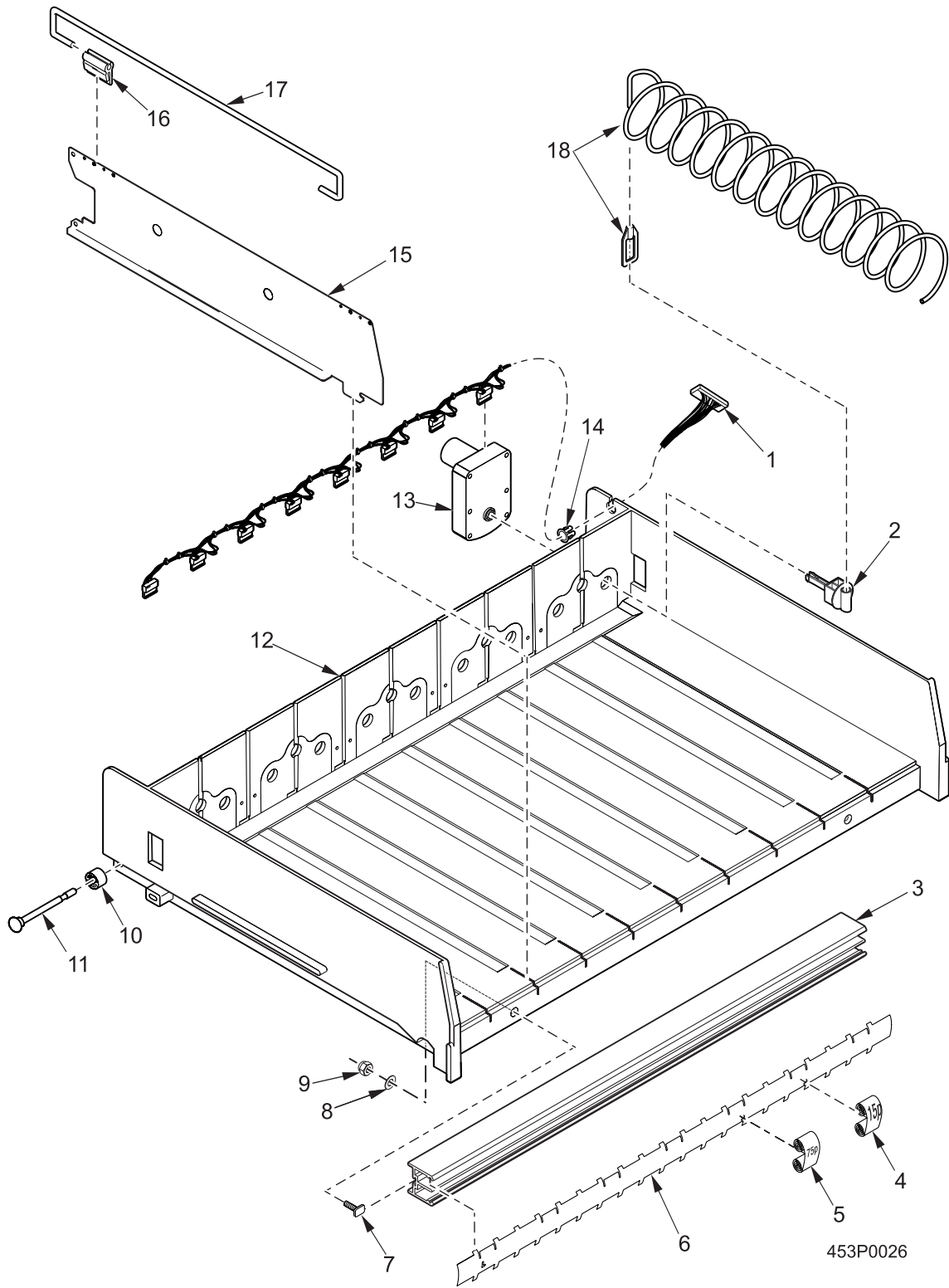


FIGURE 27: CANDY TRAY ASSEMBLY

TABLE 27: CANDY TRAY ASSEMBLY

INDEX	PART NUMBER	DESCRIPTION	QTY.
--	1720849	CANDY TRAY ASSEMBLY - DOMESTIC (172 452)	--
	4520821	CANDY TRAY ASSEMBLY (172 452)	
	4527001	CANDY TRAY ASSEMBLY (172 452)	
	4520845	CANDY TRAY ASSEMBLY - MARS PV - RED (452)	
	1730856	CANDY TRAY ASSEMBLY (173)	
	4537001	CANDY TRAY ASSEMBLY (173 453)	
	4530825	CANDY TRAY ASSEMBLY - PV LTD (173 453)	
	4530845	CANDY TRAY ASSEMBLY - MARS PV - RED (453)	
1	1709014	HARNESS - 10 MOTOR TRAY - 28" (172)	1
	1709013	HARNESS - 8 MOTOR TRAY - 28" (173)	
2	1477113	COUPLING - SPIRAL	--
3	1477134	RAIL - PRICE & SELECTION (172)	1
	1487009	RAIL - PRICE & SELECTION (173)	
4	1477014	PRICE ROLL - CENTS	--
5	1477015	PRICE ROLL - DOLLARS	--
6	1477157	HOLDER - PRICE SELECTION (172)	1
	1487016	HOLDER - PRICE SELECTION (173)	
7	2222031	TEE BOLT - TRIM	3
8	5560113	WASHER HOPPER RELEASE	2
9	9900030	NUT #8-32 SELF LOCKING	3
10	1477148	ROLLER - TRAY	2
11	1477097	AXLE - TRAY ROLLER	2
12	1707001	TRAY - 5/10 DIVISION (172)	1
	1717001	TRAY - 4/8 DIVISION (173)	
13	1577038	MOTOR & PCB ASSEMBLY (172)	10
		MOTOR & PCB ASSEMBLY (173)	8
14	9989821	BUSHING - 0.512 DIAMETER	1
15	1707062	WALL - TRAY (172)	9
		WALL - TRAY (173)	7
16	1707030	MOUNT - PRODUCT RETAINER	OPT.
17	1707063	RETAINER - PRODUCT ADJUSTER - BLACK	OPT.
18	--	SPIRAL ASSEMBLY (SEE TABLE 28A FOR DETAILS)	--

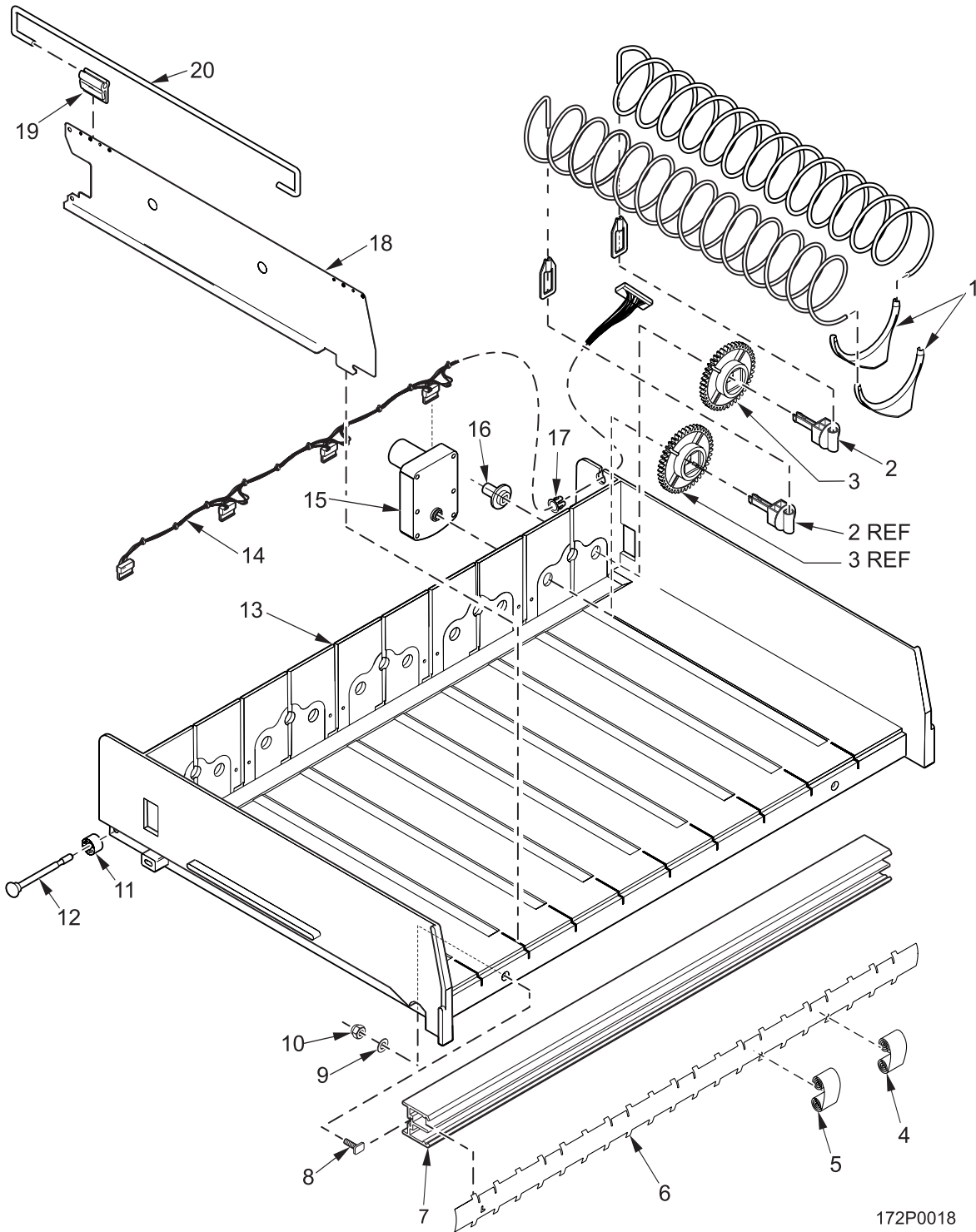


FIGURE 28: SNACK TRAY ASSEMBLY

TABLE 28: SNACK TRAY ASSEMBLY

INDEX	PART NUMBER	DESCRIPTION	QTY.
--	1720850	SNACK TRAY ASSEMBLY - DOMESTIC (172 452)	--
	4520820	SNACK TRAY ASSEMBLY (172 452)	
	4527000	SNACK TRAY ASSEMBLY (172 452)	
	4520846	SNACK TRAY ASSEMBLY - MARS PV - RED (452)	
	4530824	SNACK TRAY ASSEMBLY - PV LTD (173 453)	
	4530846	SNACK TRAY ASSEMBLY - MARS PV - RED (453)	
	4537000	SNACK TRAY ASSEMBLY (173 453)	
	1730855	SNACK TRAY ASSEMBLY (173)	
1	1477074	PUSHER - PRODUCT	--
2	1477113	COUPLING - SPIRAL	--
3	1477020	GEAR - TRAY (172)	10
		GEAR - TRAY (173)	8
4	1477014	PRICE ROLL - CENTS	--
	1572205	ROLL - PRICE - UK - 36P TO 62P + FREE	
	1572206	ROLL - PRICE - UK, 63P TO 90P,	
5	1477015	PRICE ROLL - DOLLARS	--
	1672065	PRICE ROLL - UK - RANGE 1-5	
	1472273	PRICE ROLL - UK - 1L/10L, 35P/95P	
	1472274	PRICE ROLL - UK - 1L/10L, 8P/35P	
	1477123	PRICE ROLL - 0 TO 25 - UK/GER/FR	
6	1487016	HOLDER - PRICE SELECTION (172)	1
	1477157	HOLDER - PRICE SELECTION (173)	
7	1477134	RAIL - PRICE & SELECTION (172)	1
	1487009	RAIL - PRICE & SELECTION (173)	
8	2222031	TEE BOLT - TRIM (172)	3
		TEE BOLT - TRIM (173)	2
9	5560113	WASHER - HOPPER RELEASE (172)	3
		WASHER - HOPPER RELEASE (173)	2
10	9900030	NUT #8-32 SELF LOCKING (172)	3
		NUT #8-32 SELF LOCKING (173)	2
11	1477148	ROLLER - TRAY	1
12	1477097	AXLE - TRAY ROLLER	1
13	1707001	TRAY - 5/10 DIVISION (172 452)	1
	1707061	TRAY - 5/10 DIVISION - RED (452)	
	1717001	TRAY - 4/8 DIVISION (173 453)	
	1717007	TRAY - 4/8 DIVISION - RED (453)	

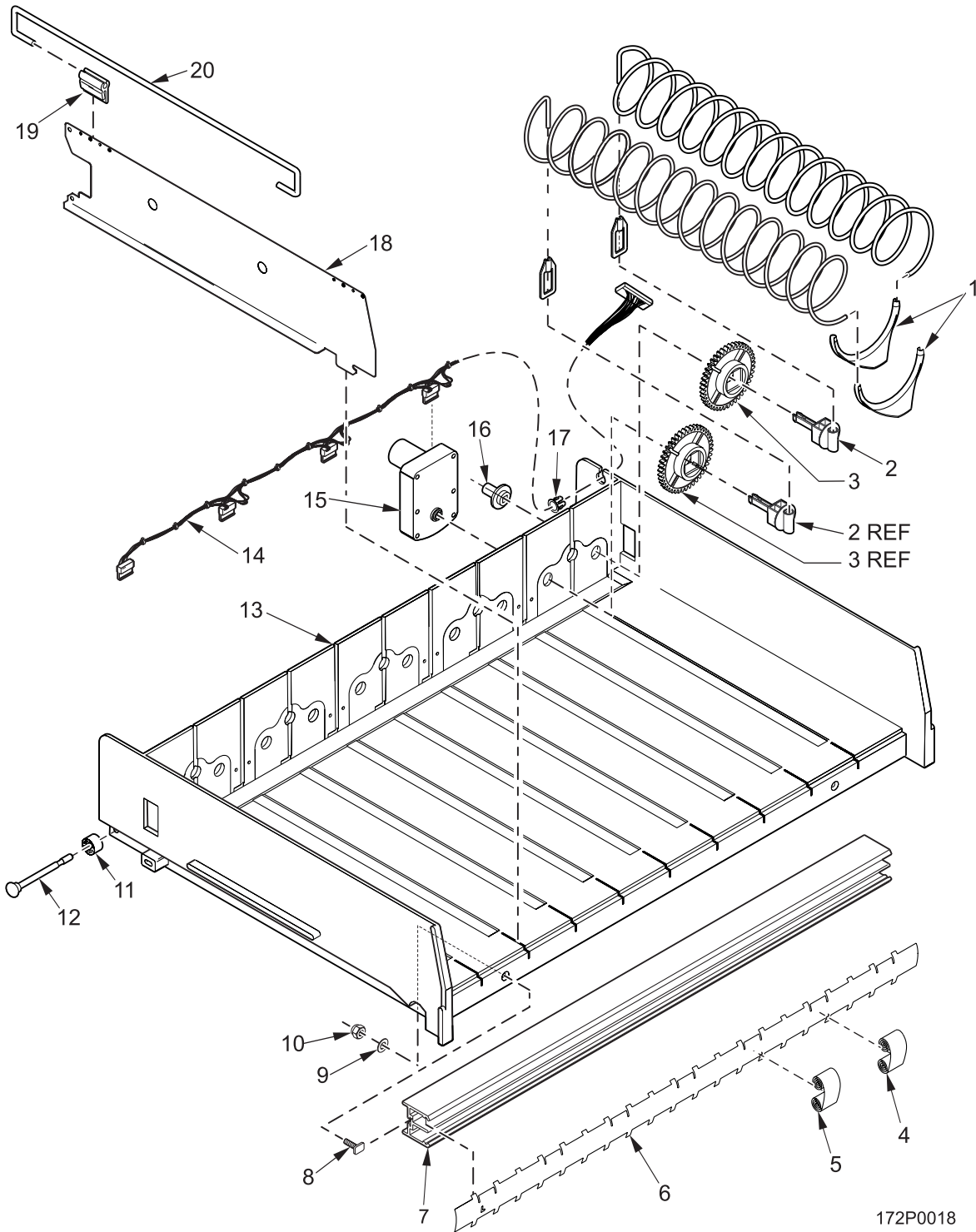


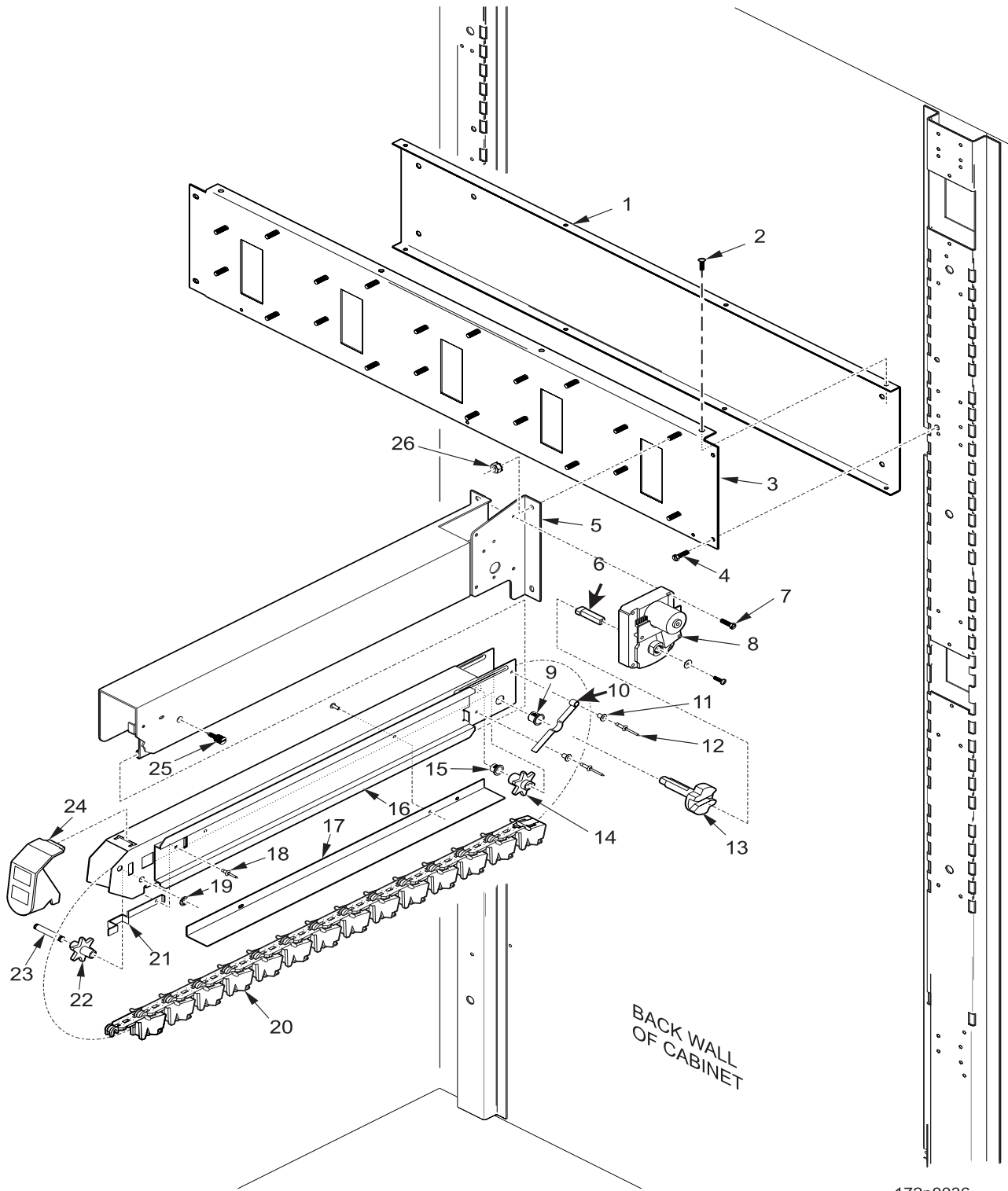
FIGURE 28: SNACK TRAY ASSEMBLY (CONTINUED)

TABLE 28: SNACK TRAY ASSEMBLY (CONTINUED)

INDEX	PART NUMBER	DESCRIPTION	QTY.
14	1709012	HARNESS - 5 MOTOR TRAY - 28" (172 452)	1
	1709011	HARNESS - 4 MOTOR TRAY - 28" (173 453)	
15	1577038	MOTOR & PCB BOARD ASSEMBLY (172 452)	5
		MOTOR & PCB BOARD ASSEMBLY (173 453)	4
16	1477022	BEARING - COUPLER (172 452)	5
		BEARING - COUPLER (173 453)	4
17	9989821	BUSHING - 0.512 DIAMETER	1
18	1707062	WALL - TRAY (172 452)	4
		WALL - TRAY (173 453)	3
19	1707030	MOUNT - PRODUCT RETAINER	--
20	1707063	RETAINER - PRODUCT ADJUSTER - BLACK	--

TABLE 28A: SPIRAL OPTIONS 28" DEEP MACHINE

		LEFT HAND		RIGHT HAND		
SPIRAL COUNT	RETAINER COLOR	ASSEMBLY	SPIRAL	ASSEMBLY	SPIRAL	RETAINER
4	GREEN	1707049	1707048	1707051	1707050	1457065
5	TAN	1707045	1707044	1707047	1707046	4407817
6	PURPLE	1707041	1707040	1707043	1707042	1477107
7	BROWN	1707058	1707057	1707060	1707059	1477106
8	GRAY	1707016	1707017	1707018	1707019	1477155
10	BLUE	1707004	1707005	1707006	1707007	1457061
12	YELLOW	1707008	1707009	1707010	1707011	1457062
14	RED	1707012	1707013	1707014	1707015	1457063
18	WHITE	1707020	1707021	1707022	1707023	1457064



172p0036

FIGURE 29: WEDGE ASSEMBLY

TABLE 29: WEDGE ASSEMBLY

INDEX	PART NUMBER	DESCRIPTION	4 SEL	5 SEL
--	4520822	WEDGE - 5 SELECT (172 452)	--	--
	4530822	WEDGE - 4 SELECT (453)		
--	4527032	CHANNEL ASSEMBLY (172 452) (ITEMS1-3)	-	1
	4537002	CHANNEL ASSEMBLY (453) (ITEMS1-3)	1	-
1	4527026	CHANNEL - STIFFENER	-	1
	4537004	CHANNEL - STIFFENER	1	-
2	1452312	SCREW - #10-32 X.31 THS T/F BL	8	8
3	4527025	CHANNEL - MOUNTING	-	1
	4537003	CHANNEL - MOUNTING	1	-
4	1141046	SCREW - #10-32X3/8 ACORN HEX W	4	4
--	4527036	ARM ASSEMBLY (ITEMS 5-8)	4	5
5	4527019	WELD ASSEMBLY - ARM	4	5
6	4527038	DRIVE - MOTOR	4	5
7	1457027	SCREW - #8-32 X .81 HEX HD.-T/	16	20
8	1477114	MOTOR & PCB ASSEMBLY	4	5
--	4527031	RACK MODULE ASSEMBLY (ITEMS 9-23)	4	5
9	4527005	BUSHING	4	5
10	4527004	SPACER - DETENT - SPRING	8	10
11	3502078	RIVET - POP - .125 DIA X .265	12	15
12	4527007	SHAFT - REAR SPROCKET	4	5
13	4527003	SPRING - DETENT	4	5
14	4527008	SPROCKET - REAR	4	5
15	4527006	BUSHING - BEARING	4	5
16	4527016	WELD ASSEMBLY - RACK MODULE	4	5
17	4527027	CHAIN GUIDE	4	5
18	4527015	POP RIVET (2 SHEETS)	8	10
19	9900425	RETAINING RING REINF E TYP.2	8	10
20	4527002	LOCK - SPRING	4	5
21	4527011	CHAIN ASSEMBLY	4	5
22	4527010	SPROCKET - FRONT	4	5
23	4527009	SHAFT - FRONT SPROCKET	4	5
24	4527012	TAB & STRIPPER ASSEMBLY	4	5
25	2206028	THUMB SCREW - SIDEWALL	4	5
26	9900164	NUT #10-32 KEPS ZINC PLATE	16	20

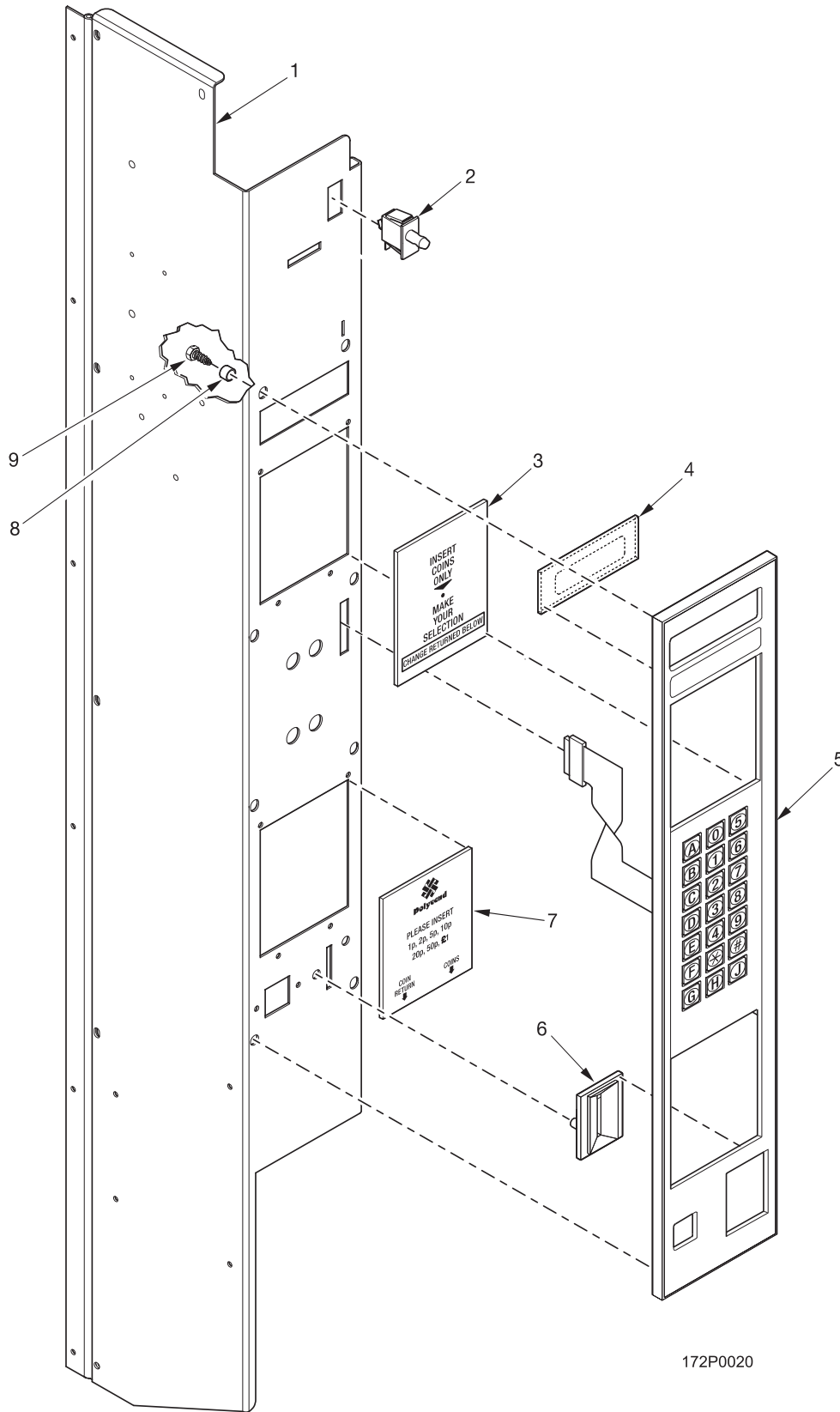


FIGURE 30: MONETARY PANEL ASSEMBLY (PART 1 OF 2)

TABLE 30: MONETARY PANEL ASSEMBLY (PART 1 OF 2)

INDEX	PART NUMBER	DESCRIPTION	QTY.
1	1575094	PANEL WELD ASSEMBLY - MONETARY NV BLACK	1
2	9989594	SWITCH - PUSH/PULL - PANEL MOUNTED	1
3	--	INSERT - INSTRUCTIONS - UPPER (SEE TABLE 30A FOR DETAILS)	1
4	1595014	LENS - DISPLAY - GPL	1
5	4525010	FACEPLATE ASSEMBLY - POLYVEND (SEE TABLE 32 FOR DETAILS)	1
	4525011	FACEPLATE ASSEMBLY - PROVEND (SEE TABLE 32 FOR DETAILS)	
6	1472223	COIN INSERT	1
7	--	INSERT - INSTRUCTIONS - LOWER (SEE TABLE 30A FOR DETAILS)	1
8	2302053	SPACER CUP	--
9	1437204	SCREW - #8-10 X .38 HEX HD. TF	--
--	1575044	COVER PLATE ASSEMBLY - NO COIN (NOT SHOWN)	--

TABLE 30A: INSERT INSTRUCTIONS - UPPER AND LOWER

PART NUMBER	DESCRIPTION
1575012	INSERT - INSTRUCTIONS - COINS/BILLS - U.S.
1575013	INSERT - INSTRUCTIONS - COINS ONLY ENGLISH
1575020	INSERT - INSTRUCTIONS - BILLS - ENGLISH
1575035	INSERT - INSTRUCTIONS - LOWER - ENGLISH
1575015	INSERT - INSTRUCTIONS - COINS - SPANISH
1575018	INSERT - INSTRUCTIONS - COIN/BILL - SPANISH
1575016	INSERT - INSTRUCTIONS - TOKENS - BRAZIL
1575034	INSERT - INSTRUCTIONS - LOWER - TOKENS - BRAZIL
1575040	INSERT - INSTRUCTIONS - LOWER - MEXICO
1575049	INSERT - INSTRU-LOWER - UK. COINS
1575052	INSERT - INSTRUCTIONS - COINS ONLY - SWEDEN
1575033	INSERT - INSTRUCTIONS - LOWER - SWEDISH
1575076	INSERT - INSTRUCTIONS - LOWER - BLANK
1675006	INSERT - INSTRUCTIONS - UPPER - SUREVEND
1725004	INSERT - INSTRUCTIONS - UPPER - GPL - POSIVEND

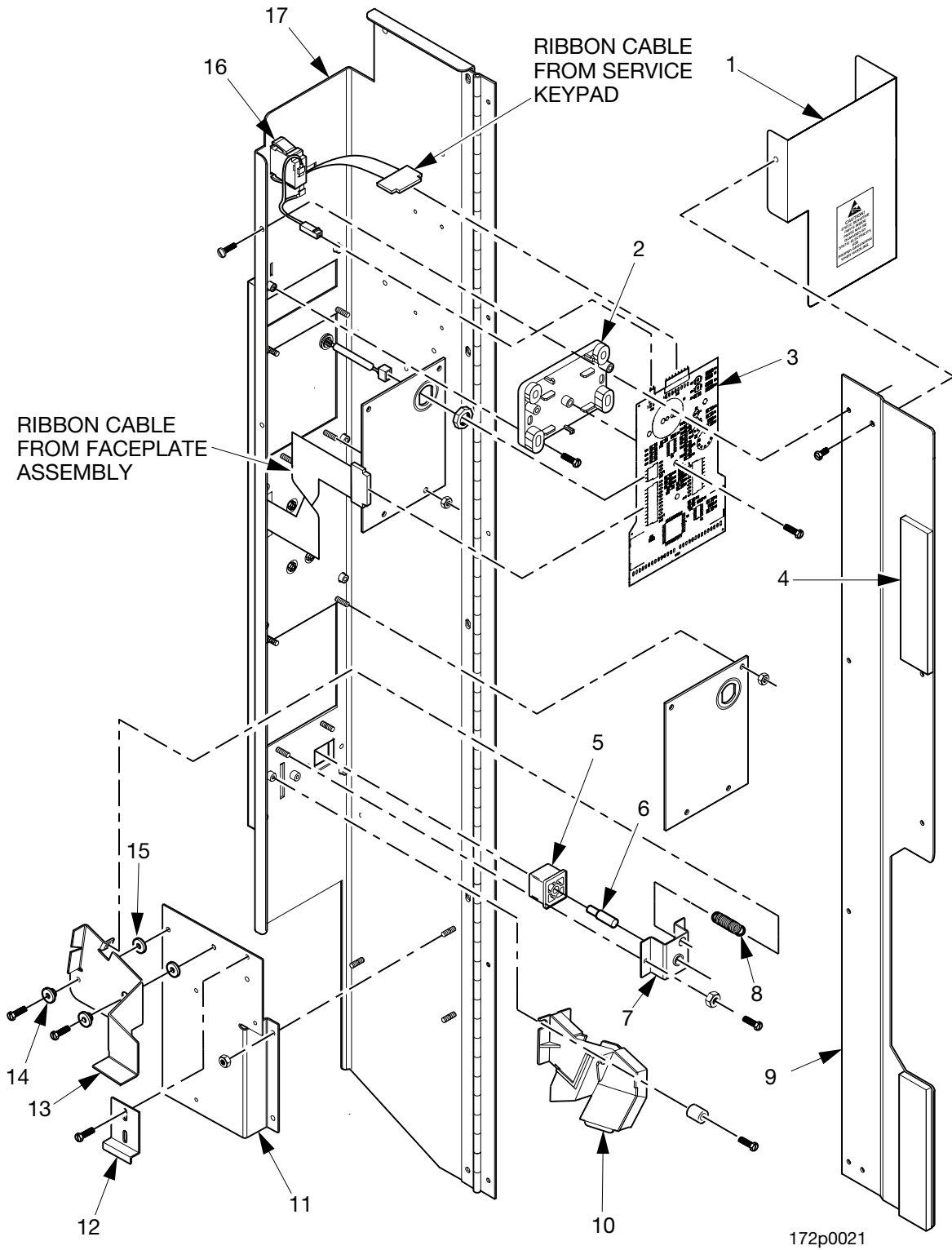


FIGURE 31: MONETARY PANEL ASSEMBLY (PART 2 OF 2)

TABLE 31: MONETARY PANEL ASSEMBLY (PART 2 OF 2)

INDEX	PART NUMBER	DESCRIPTION	QTY.
1	1575029	COVER - DISPLAY	--
--	9989823	DISPLAY W/BRACKET ASSEMBLY (ITEMS 2, 3)	--
2	1475099	BRACKET - PCB DISPLAY	1
3	9989685	PCB ASSEMBLY - DISPLAY	1
4	3122056	MAGNET RETAINER - COIN CHANGER	1
5	1475026	BUTTON - COIN RETURN	1
6	1475072	SHAFT - RETURN BUTTON	1
7	1571079	BRACKET - COIN RETURN BUTTON	1
8	1127808	SPRING - SHELF - RESET	1
9	1575057	PLATE - MAGNET MOUNTING	1
10	1575003	COIN CHUTE ASSEMBLY	1
11	1571078	BRACKET - COIN MECHANISM	1
	1571081	BRACKET ASSEMBLY - COIN MECH (SMITH'S ONLY)	
12	6231037	CLAMP - CABLE	1
13	1571113	ARM - SCAVENGER	1
14	2204093	WASHER SCAVENGER BAR	2
15	2228011	SPACER RELEASE ARM	1
16	9989594	SWITCH - PUSH/PULL - PANEL MOUNTED	1
17	1575094	PANEL - WELD ASSEMBLY - MONETARY	1
--	6335002	SERVICE KEYPAD ASSEMBLY (SMITH'S ONLY - NOT SHOWN)	1
--	1679054	HARNESS - "MDB" COIN & VAL (SMITH'S ONLY - NOT SHOWN)	1
--	2342315	CLIP - WIRE HARNESS (SMITH'S ONLY - NOT SHOWN)	1
--	9989750	HARNESS - 24 VAC PCB & COIN POWER (SMITH'S ONLY - NOT SHOWN)	1

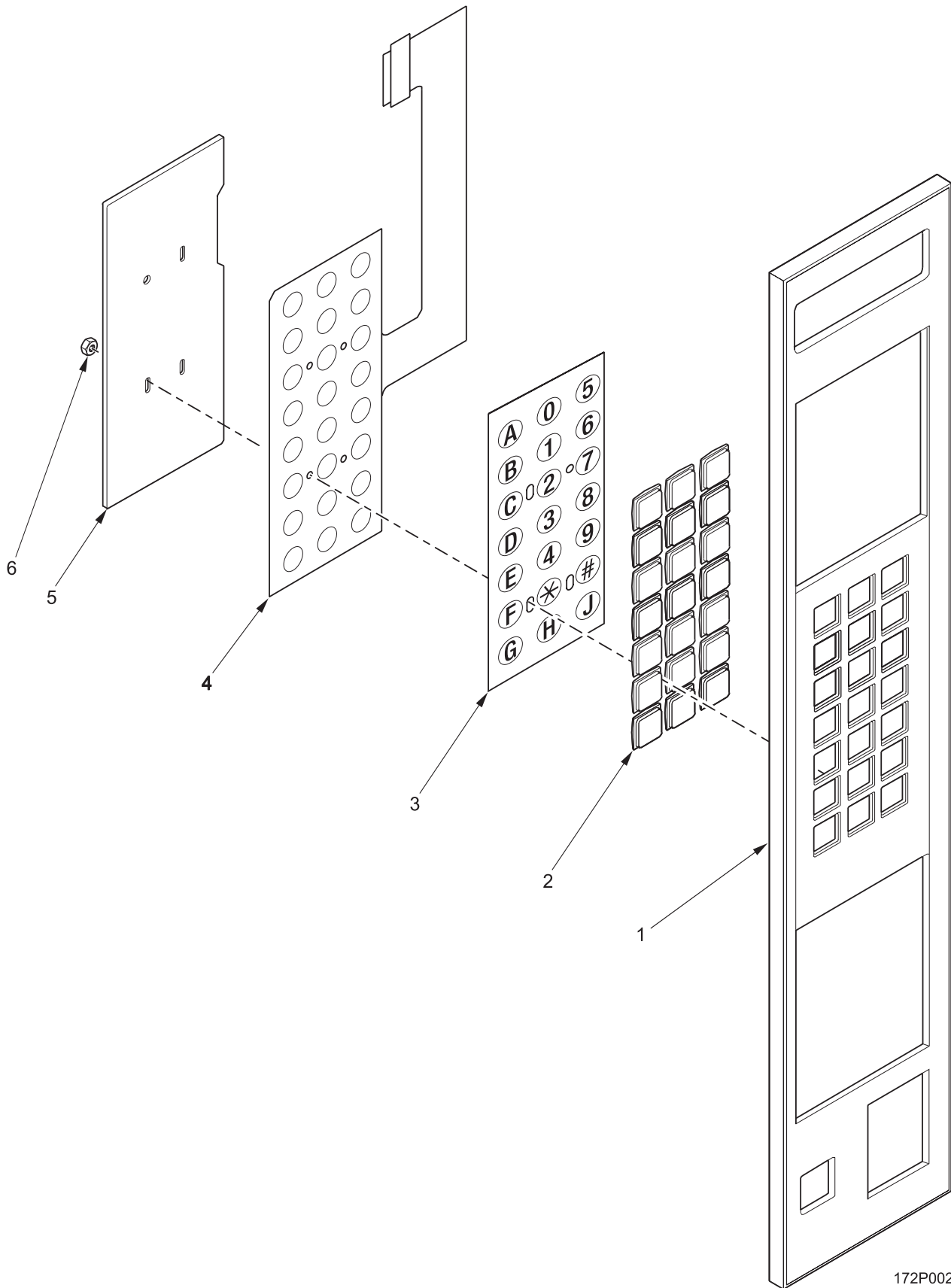


FIGURE 32: FACE PLATE ASSEMBLY

TABLE 32: FACE PLATE ASSEMBLY

INDEX	PART NUMBER	DESCRIPTION	QTY.
1	4525010	FACEPLATE ASSEMBLY - POLYVEND	1
	1595013	FRAME - MONETARY PANEL - GPL (SMITH'S ONLY)	
2	1472251	LENS - PUSH BUTTON	21
3	1595002	LETTER SHEET - SELECTION SWITCH - POLYVEND	1
	1575010	LETTER SHEET - SELECT SWITCH (SMITH'S ONLY - NOT SHOWN)	
4	7215019	MEMBRANE SWITCH ASSEMBLY - SELECT	1
5	1575091	PLATE - SELECT SWITCH - BACKUP - W/STUD	1
6	1475089	1/8" NUT - SELF-THREADING	4

TABLE 32A: BILL VALIDATOR OPTIONS

PART NUMBER	DESCRIPTION
5900187	COIN BILL VALIDATOR CBV 125-3
5900205	VALIDATOR - MARS VN2512-U5E 24V.
5900210	VALIDATOR MARS - VN2512-U5M/500
5900242	VALIDATOR CASH CODE - "MDB"-CHINA
5900245	STACKER CASHCODE 400BILL W/LOK
5900247	VALIDATOR - MARS AE2612-U5M**MDB**
5900267	BILL VALIDATOR - CONLUX NBM3140 MDB-400
5900283	VALIDATOR - COINCO - MAGPRO-32R

TABLE 32B: COIN UNIT OPTIONS

PART NUMBER	DESCRIPTION
5900187	COIN BILL VALIDATOR CBV 125-3
5900213	COIN UNIT - COINCO - 9302GX MDB
5900214	COIN UNIT - MEI - VN4510 - 5/10/25/\$1
5900240	COIN UNIT - CASH FLOW - CHINA "MDB"
5900243	COIN UNIT - TRC6512,1195500,CNSN
5900269	COINCO USQ - G701 - MDB-4 TUBE
5900276	COIN UNIT - VN4510 - 5/10/25/25
5900279	COIN MECH - CONLUX CCM5G-4

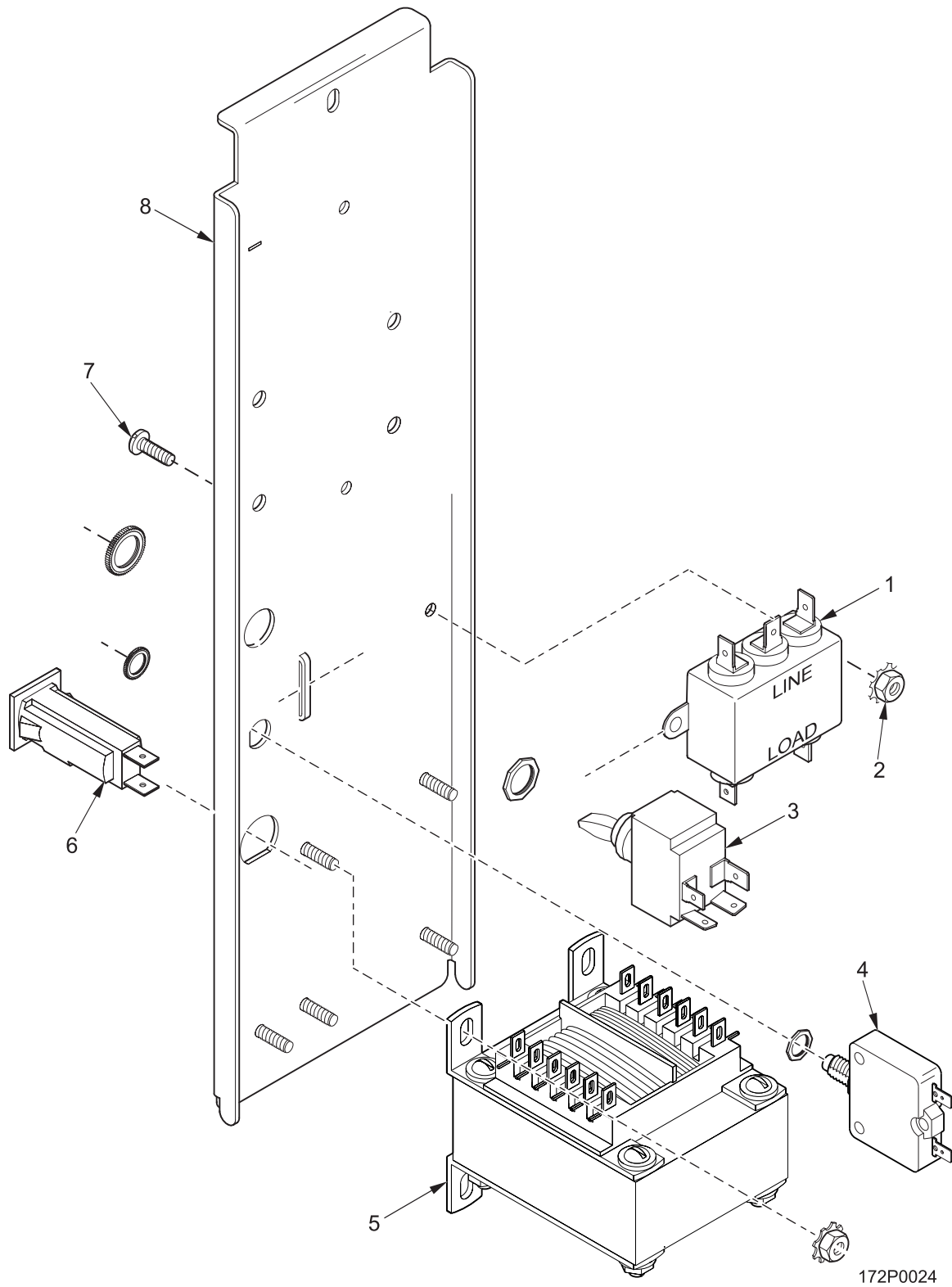


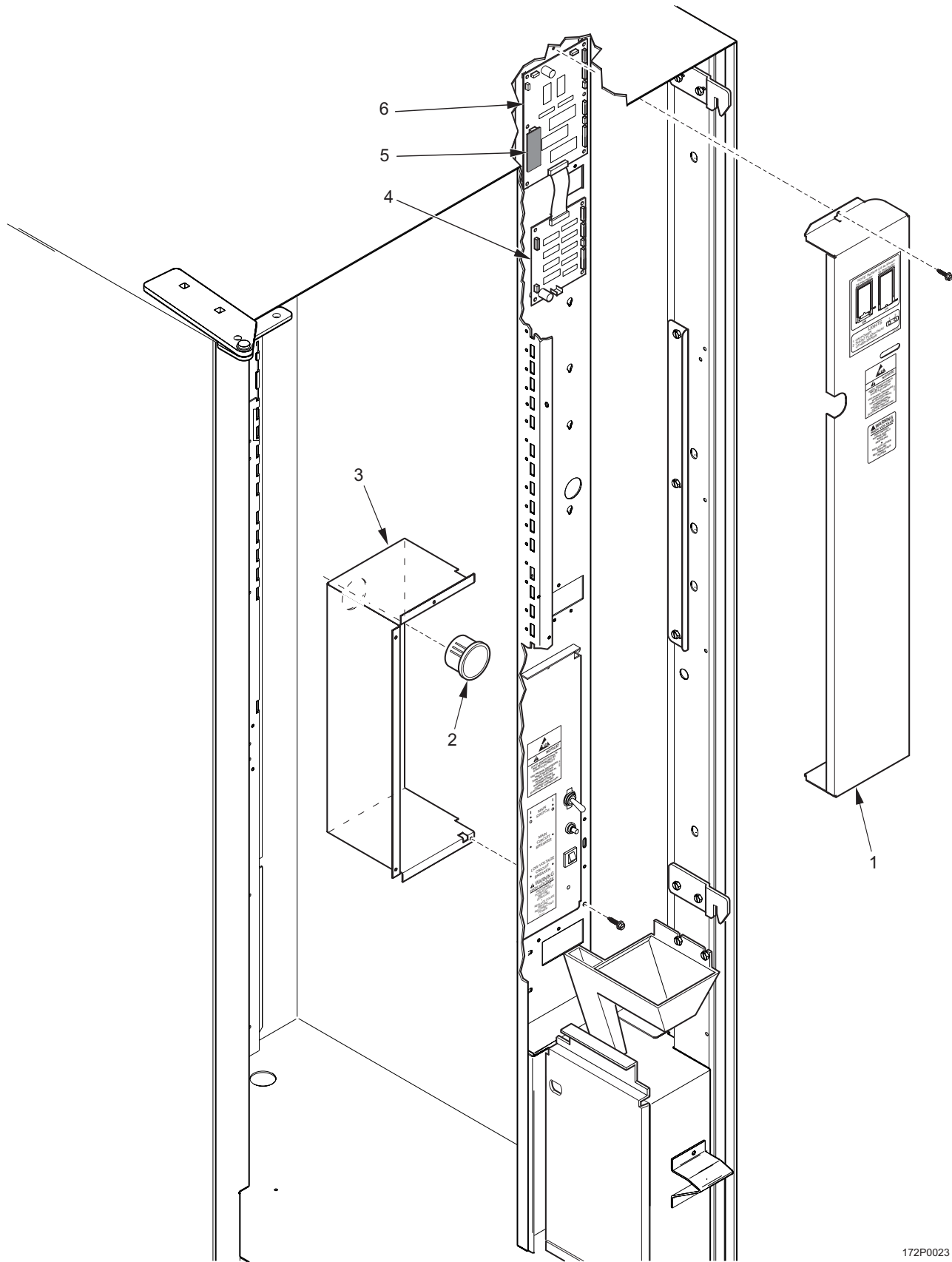
FIGURE 33: POWER PANEL ASSEMBLY - DOMESTIC

TABLE 33: POWER PANEL ASSEMBLY - DOMESTIC

INDEX	PART NUMBER	DESCRIPTION	QTY
--	1701015	POWER PANEL ASSEMBLY - DOMESTIC	--
1	9989100	INTERFERENCE FILTER	1
2	9900081	NUT - #8-32 KEPS ZINC PLATE	6
3	9984629	SWITCH - TOGGLE - DPST - 20 AMP	1
4	9989672	BREAKER - 15 AMP	1
5	9989046	24 V TRANSFORMER - DUAL PRI. - .187 TERM	1
6	9989674	CIRCUIT BREAKER - 4 AMP	1
7	1211110	8-32 X 1/4 RHS MACH SCREW - Z.P.	6
8	1701025	PLATE - HOUSING - PANEL	1

TABLE 34: POWER PANEL ASSEMBLY - U.K. - 230 V

INDEX	PART NUMBER	DESCRIPTION	QTY
--	4521020	POWER PANEL ASSEMBLY - U.K. - 230V (167 168 457 458 764 765 784 787)	--
1	6849015	JUMPER - POWER SW	1
2	1679055	HARNESS - POWER PANEL	1
3	9989100	INTERFERENCE FILTER	1
4	9900081	NUT #8-32 KEPS ZINC PLATE	8
5	9989046	TRANSFORMER - 24V - DUAL PIR. - .187 TERM.	1
6	9984094	WIRE - GROUND - 14"	1
7	9989674	CIRCUIT BREAKER - 4 AMP	1
8	1709001	JUMPER - TRANSFORMER - FOREIGN	1
9	9989672	CIRCUIT BREAKER - 15 AMP	1
10	1709006	JUMPER - MAIN SWITCH TO BREAKER	1
11	9984629	SWITCH - TOGGLE - DPST - 20 AMP	1
12	9989110	FILTER - POWER LINE - EMI	1
13	1701025	PLATE - HOUSING - PANEL (CP7-7)	1



172P0023

FIGURE 35: CONTROLLER INTERFACE PCB AND POWER PANEL HOUSING

TABLE 35: CONTROLLER INTERFACE PCB AND POWER PANEL HOUSING

INDEX	PART NUMBER	DESCRIPTION	QTY.
1	1571112	COVER - CONT./ INTERFACE PCB	1
2	6106021	BUSHING #SB1500-21	1
3	1671022	HOUSING - POWER PANEL	1
4	1576008	PCB ASSEMBLY - SNACK INTERFACE	1
5	9989687	PCB ASSEMBLY - EXECUTIVE INTERFACE	1
6	1606005	MAIN CONTROLLER PCB WITH EPROM	1
--	9989755	PCB ASSEMBLY - MAIN CONTROLLER	1
--	SEE LABEL	IC ASSEMBLY	1

TABLE 36: HARNESSES

PART NUMBER	DESCRIPTION	LOCATION	PIN	TO	LOCATION	PIN
1579003	HARNESS - COIN MECHANISM	COIN MECH	J101	TO	CONTROLLER PCB	J40
1579008	CABLE RIBBON - 16 CONDUCTOR	INTERFACE PCB	J55	TO	CONTROLLER PCB	J30
1579018	HARNESS - DATA PRINTER INTERFACE	CONTROLLER PCB	J36	TO	PRINTER	--
1579032	HARNESS - SERIAL VALIDATOR - 24V	POWER PANEL	J102	TO	VALIDATOR	J104B
1579034	HARNESS - FOR BA30/32SA**MDB	MDB COIN	J200	TO	CONTROLLER PCB	J39
1599009	HARNESS - 6 TRAY CHANNEL	TRAYS A, B, C, D, E, F	J115 TO J120	TO	INTERFACE PCB	J59 J60
1599011	HARNESS - 7 TRAY CHANNEL	TRAYS A, B, C, D, E, F	J115 TO J121	TO	INTERFACE PCB	J57 J59 J60
1599200	HARNESS - CONTROL TO DISPLAY	CONTROLLER PCB	J33	TO	DISPLAY PCB	J45
1679002	HARNESS - 120V COIN ADAPT	POWER SUPPLY	J87	TO	COIN MECH	J25
1679012	HARNESS - MAIN CONTROLLER TO SENSOR	MAIN CONTROLLER		TO	SENSOR	
1679013	HARNESS - EMITTER TO DETECTOR	EMITTER	J1	TO	DETECTOR	J2
1679050	HARNESS - EXEC.COIN - LONG	24VAC POWER	J93A	TO	EXEC MECH POWER	J93B
		CONTROLLER PCB	J27	TO	EXEC MECH	J151
1679054	HARNESS - MDB COIN & VAL.	MDB COIN	J200	TO	CONTROLLER PCB	J39
1679055	HARNESS - POWER PANEL	FLOURESCENT LIGHT JUMPER	J82	TO	EMI FILTER	J97
		PWR PANEL TO COMPRESSOR JUMPER	J83	TO		
1679061	HARNESS - GUM & MINT- 4&5 MOTOR	MOTORS H0, H1, H2, H3, H4	--	TO	INTERFACE PCB JUMPER	J58
1709011	HARNESS - 4 MOTOR TRAY - 28	MOTORS 0, 2, 4, 6	--	TO	TRAY PCB	--
1709012	HARNESS - 5 MOTOR TRAY - 28	MOTORS 0, 2, 4, 6, 8	--	TO	TRAY PCB	--
1709013	HARNESS - 8 MOTOR TRAY - 28	MOTORS 0, 1, 2, 3, 4, 5, 6, 7	--	TO	TRAY PCB	--

TABLE 36: HARNESES

PART NUMBER	DESCRIPTION	LOCATION	PIN	TO	LOCATION	PIN
1709014	HARNESS - 10 MOTOR TRAY - 28	MOTORS 0, 1, 2, 3, 4, 5, 6, 7, 8, 9	--	TO	TRAY PCB	--
1709016	HARNESS - POWER TO EX.FAN	POWER PANEL	J82	TO	EXTERIOR FAN	J137
1709018	HARNESS - TRAY EXTENSION	TRAY HARNESS	TP2	TO	RAIL PCB	TP1
1709019	HARNESS - LIGHT & FILTER ASSY.	LIGHT FILTER	J134	TO	LIGHTS	--
		BALLAST	J135	TO		
9989750	HARNESS - 24VAC PCB & COIN POWER	EXEC COIN MECH JUMPER	J93A	TO	POWER PANEL	J81 J37
		INTERFACE PCB	J61	TO	CNTRLLR PCB	J38
1579009	JUMPER - MONETARY DOOR SWITCH	DOOR SWITCH	J100	TO	DISPLAY PCB	J48
1579022	JUMPER - POWER PANEL TO FLOURESCENT LIGHT	POWER PANEL	J82	TO	FLOURESCENT LIGHT FILTER	J133
1679060	JUMPER - GUM & MINT TO PCB	GUM & MINT HARNESS	--	TO	INTERFACE PCB	J58
1709001	JUMPER - TRANSFORMER - 120V .	EMI FILTER	J97	TO	XFMR 24VAC INPUT	--
		XFMR 24VAC OUTPUT	J81	TO	SECONDARY BREAKER	J96
1709006	JUMPER - MAIN SWITCH TO BREAKER	MAIN SWITCH	--	TO	MAIN BREAKER	--
6849015	JUMPER - POWER SW	MAIN LINE FILTER	--	TO	MAIN SWITCH	--
4529000	HARNESS - PCB ASSEMBLY TO COMP - DC	CNTRLLR PCB	J31	TO	TEMP SENSOR	J126
		INTERFACE PCB	J56		COMP RELAY	J75

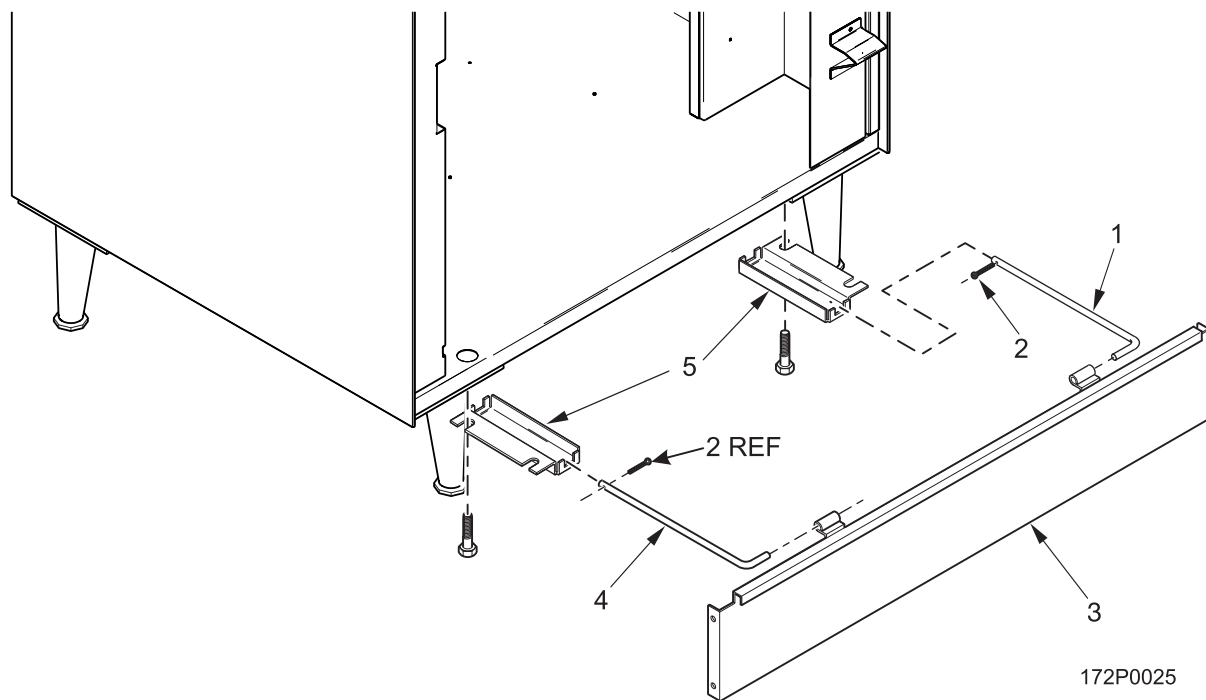


FIGURE 37: BASE PLATE ASSEMBLY (ACCESSORY)

TABLE 37: BASE PLATE ASSEMBLY (ACCESSORY)

INDEX	PART NUMBER	DESCRIPTION	QTY.
--	1571085	BASE PLATE & ACCESSORY ASSEMBLY - NV BLACK (172 452)	--
	1581022	BASE PLATE & ACCESSORY ASSEMBLY - NV BLACK (173 453)	
1	1411194	SLIDE - BASE PLATE R.H.	1
2	9900098	COTTER PIN 3/32 X 3/4 IN.	2
3	2271408	BASE PLATE ASSEMBLY - NV BLACK (172 452)	1
	1581023	BASE PLATE ASSEMBLY - NV BLACK (173 453)	
4	1411195	SLIDE - BASE PLATE L.H.	1
5	6231087	BRACKET - BASE PLATE	2

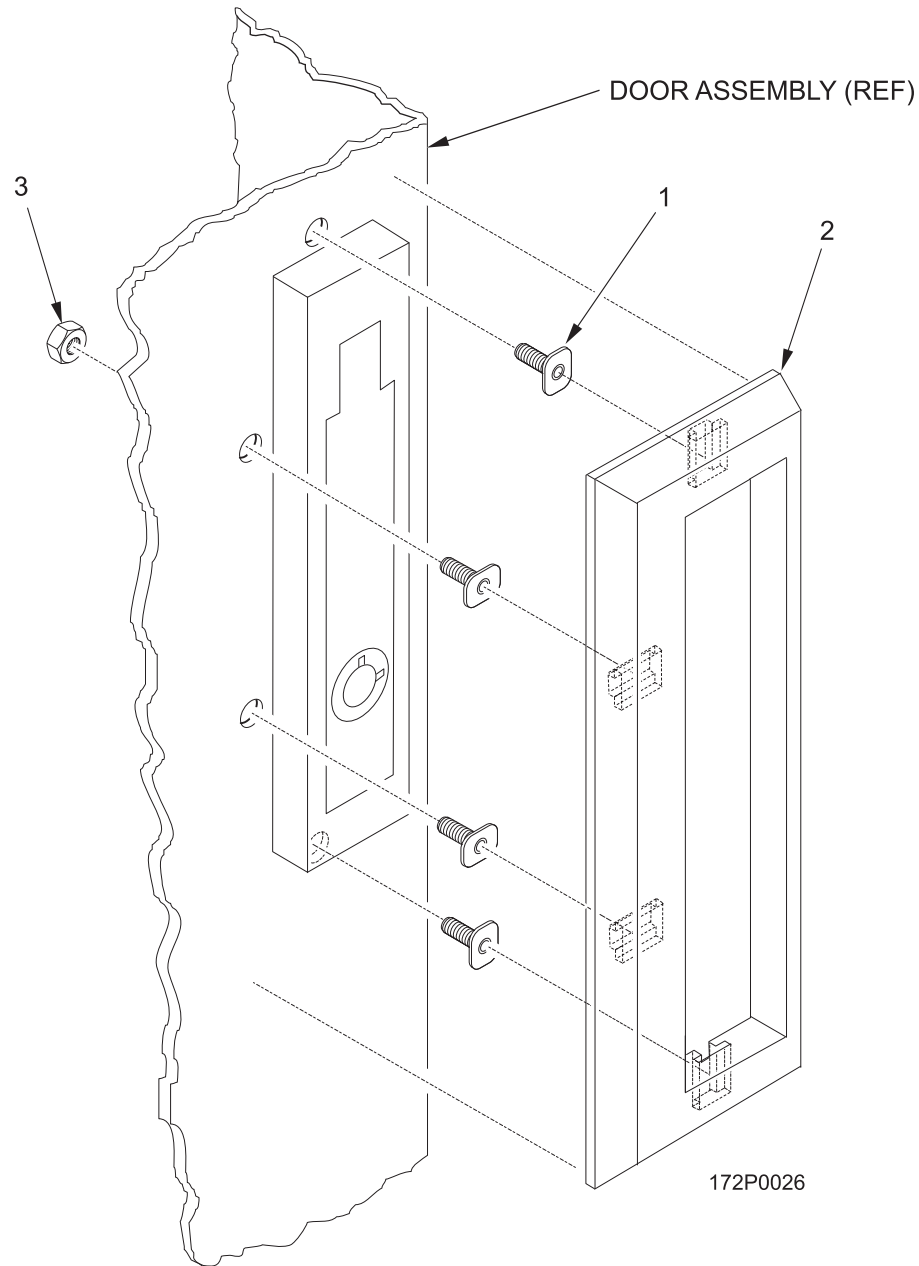


FIGURE 38: DOOR LOCK GUARD (ACCESSORY)

TABLE 38: DOOR LOCK GUARD (ACCESSORY)

INDEX	PART NUMBER	DESCRIPTION	QTY.
--	1572188	DOOR LOCK GUARD KIT	--
1	2222031	TEE BOLT - TRIM	4
2	1572186	GUARD - LOCK - COMMON	1
3	9900081	NUT - #8-32 KEPS ZINC PLATE	4
--	1572187	INSTALLATION INSTRUCTIONS & TEMPLATE	1

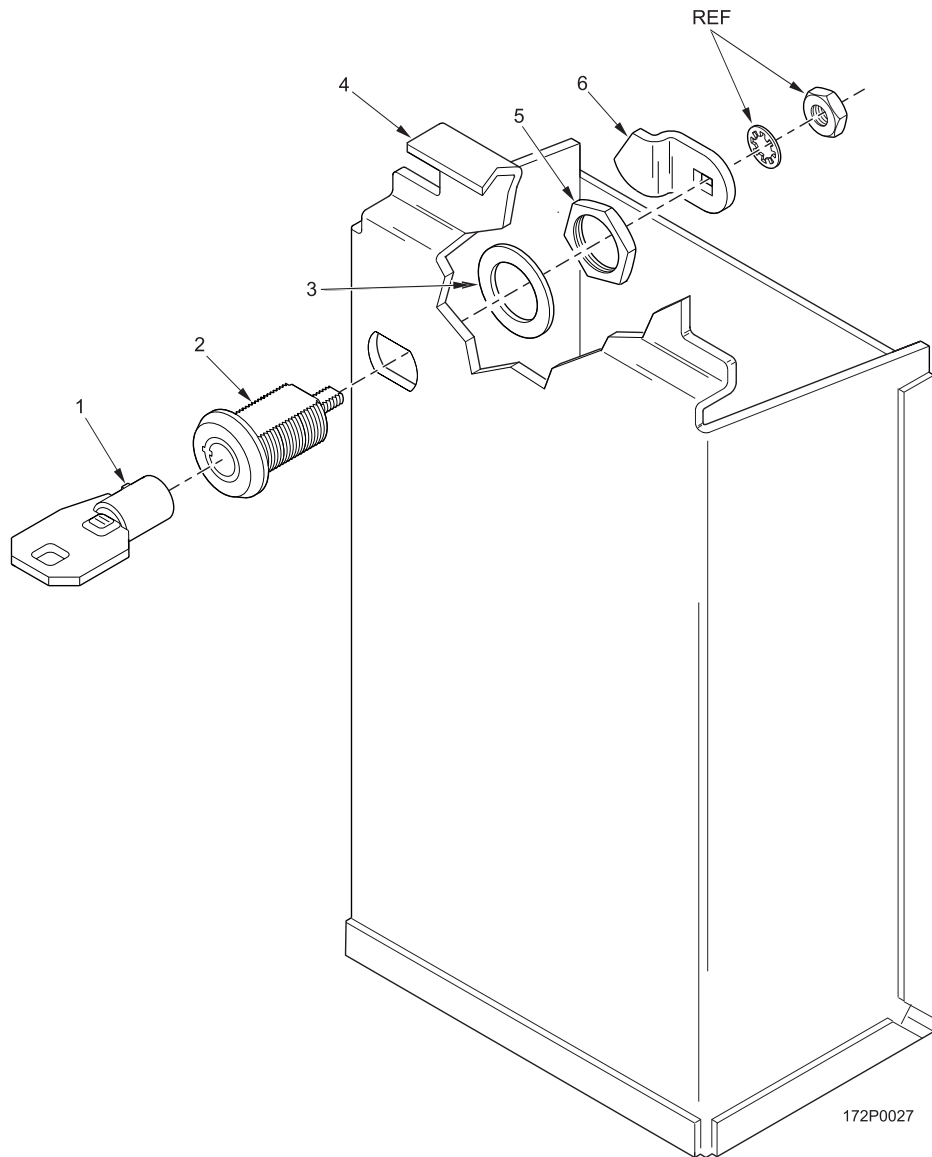


FIGURE 39: MONEY BOX LOCK (ACCESSORY)

TABLE 39: MONEY BOX LOCK (ACCESSORY)

INDEX	PART NUMBER	DESCRIPTION	QTY.
OPT 1	4520864	MONEY BOX LOCK	--
1	4521035	KEY - MSU - 48, #352-48 (OPT 1 ONLY)	1
	2221920	KEY - CHICAGO LK-#1801 NV407 (OPT 2 ONLY)	
2	4521042	BARREL & TUMBLER ASSEMBLY (OPT 1 ONLY)	1
	1101906	MONEY BOX LOCK - #1801, KA NV4 (OPT 2 ONLY)	
3	2222604	WASHER - LOCK BARREL - #2693	1
4	1571012	MONEY BOX HOUSING ASSEMBLY	1
5	2222603	NUT - LOCK RETAINING	1
6	4521043	CAM - CHICAGO LOCK (OPT 1 ONLY)	1

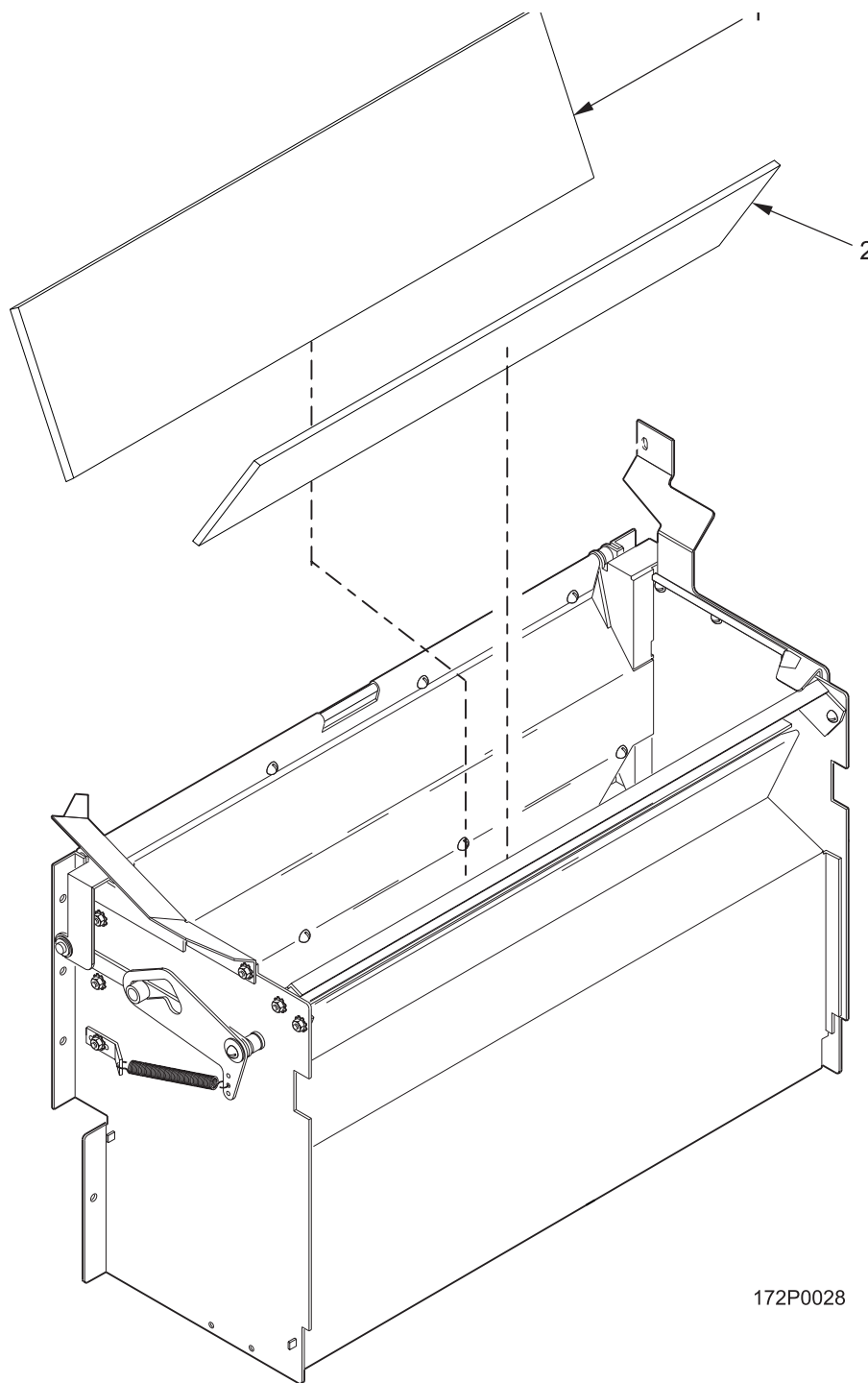


FIGURE 40: DELIVERY PAN PAD (ACCESSORY)

TABLE 40: DELIVERY PAN PAD (ACCESSORY)

INDEX	PART NUMBER	DESCRIPTION	QTY.
1	4842020	PAD - BACK - DELIVERY PAN	1
2	4842021	PAD - FRONT - DELIVERY PAN	1

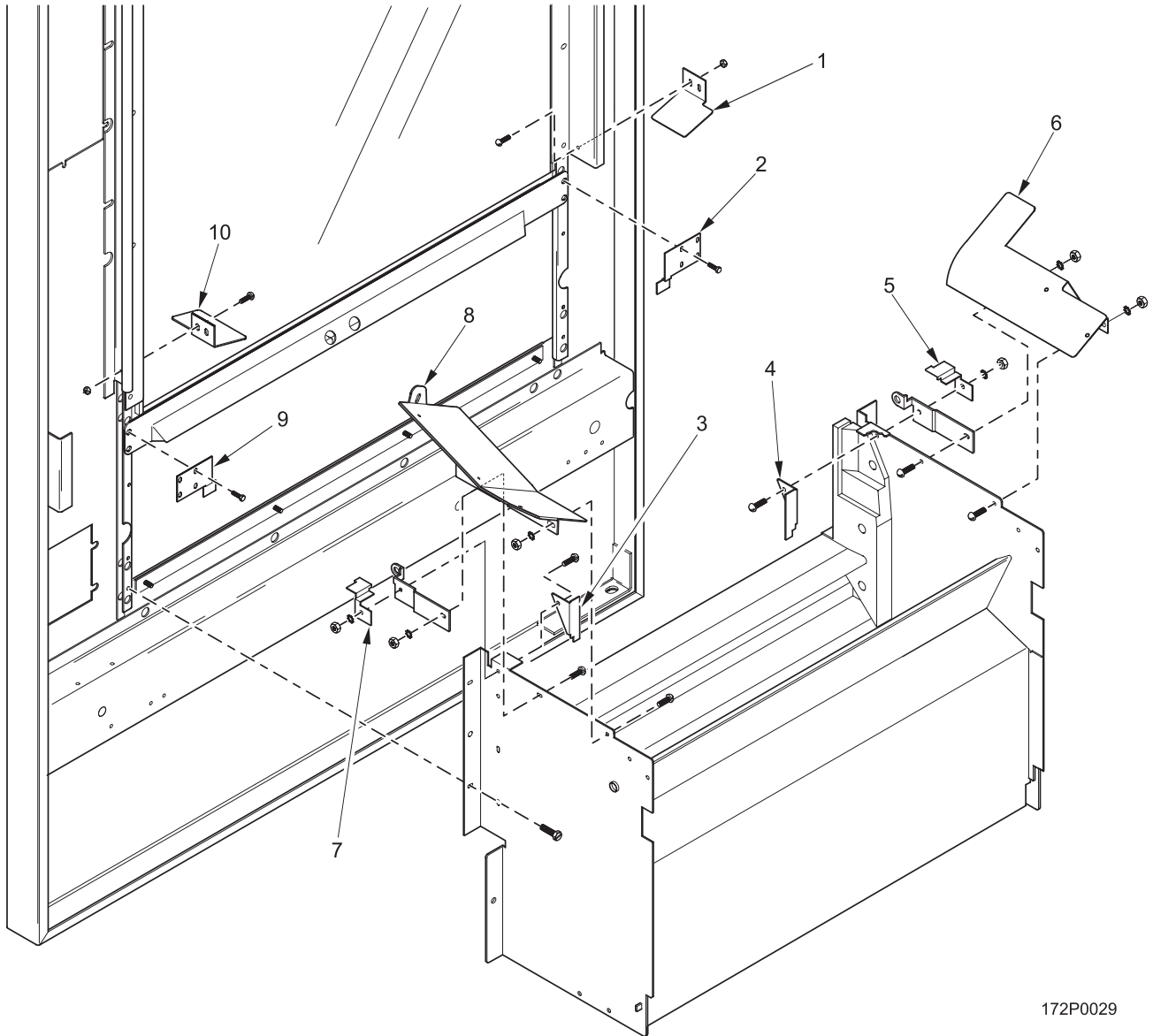


FIGURE 41: WIRE BLOCK KIT (ACCESSORY)

TABLE 41: WIRE BLOCK KIT (ACCESSORY)

INDEX	PART NUMBER	DESCRIPTION	QTY.
--	1572271	WIRE BLOCK KIT - LARGE VEND DOOR	--
1	1582108	DEFLECTOR - LEFT HAND SMALL SNACK (HINGE SIDE)	1
2	1572088	BLOCK - DOOR - LEFT HAND (HINGE SIDE)	1
3	1572091	BLOCK - RIGHT HAND - DELIVERY DOOR (LOCK SIDE)	1
4	1572092	BLOCK - WIRE - LEFT HAND (HINGE SIDE)	1
5	1572090	BLOCK - LEFT HAND - DELIVERY DOOR (HINGE SIDE)	1
6	1572095	DEFLECTOR ASSEMBLY - LEFT HAND (HINGE SIDE)	1
7	1572093	BLOCK - WIRE - RIGHT HAND (LOCK SIDE)	1
8	1572098	DEFLECTOR ASSEMBLY - RIGHT HAND (LOCK SIDE)	1
9	1572089	BLOCK - DOOR - RIGHT HAND (LOCK SIDE)	1
10	1572270	DEFLECTOR - LEFT HAND - LARGE SNACK (HINGE SIDE)	1
--	1570117	INSTALLATION INSTRUCTIONS - WIRE BLOCK KIT	--

TABLE 42: ACCESSORIES (DATA PRINTER INTERFACE)

INDEX	PART NUMBER	DESCRIPTION	QTY.
--	6330749	DATA PRINTER INTERFACE	--
--	1579018	HARNESS - DATA PRINTER INTERFACE	1
--	9984516	MODULAR ADAPTER - FEMALE	1

9984516

FEMALE MODULAR ADAPTER

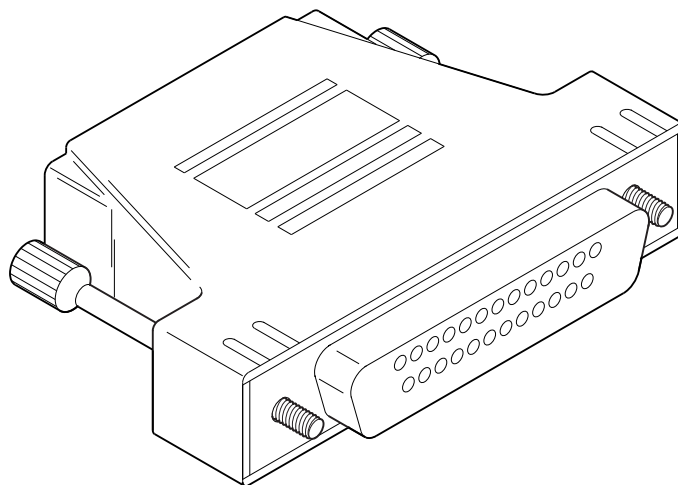


FIGURE 42: ACCESSORIES (DATA PRINTER INTERFACE)

TABLE 43A: BAG ASSEMBLY B1720001 - SMITH'S

PART NUMBER	DESCRIPTION	QTY
WD452001	WIRING DIAGRAM - 452 AND 453	1
1477071	PACKAGE ASSEMBLY - PRODUCT PUSHER	1
1477083	RETAINER - SPIRAL - WALL	10
1575107	TAG - PRICE - GUM & MINT - .25-1.55	1
1577047	LABEL - ITEM LETTERS - A0-A9	1
1577048	LABEL - ITEM LETTERS - B0-B9	1
1577049	LABEL - ITEM LETTERS - C0-C9	1
1577050	LABEL - ITEM LETTERS - D0-D9	1
1577051	LABEL - ITEM LETTERS - E0-E9 KB	1
1577052	LABEL - ITEM LETTERS - F0-F9 KB	1
1577053	LABEL - ITEM LETTERS - G0-G9	1
1590051	APPENDIX A - SET UP - WEDGE	--
1670057	SNACK/RC SET-UP & OPERATOR'S GUIDE	1
1670061	AUSTRALIAN GUM & MINT SETUP GUIDE	1
1670024	SNACK/RC PROGRAMMING GUIDE	1
1672059	TAG - PRICE - GUM & MINT - 1.20/2.00	1
1677038	WINDOW - FLAT	1
1677039	WINDOW - OFFSET	1
1720003	SUPPLEMENT - GPL SNACK	1
9989822	CLIP - TRAY HARNESS	--

TABLE 43B: BAG ASSEMBLY B1720002 - U.S./CANADA

PART NUMBER	DESCRIPTION	QTY
WD452001	WIRING DIAGRAM - 452 AND 453	1
1477015	ROLL - PRICE DOLLARS	5
1477071	PACKAGE ASSEMBLY - PRODUCT PUSHER	1
1477083	RETAINER - SPIRAL - WALL	10
1575107	TAG - PRICE - GUM & MINT - .25-1.55	1
1577047	LABEL - ITEM LETTERS - A0-A9	1
1577048	LABEL - ITEM LETTERS - B0-B9	1
1577049	LABEL - ITEM LETTERS - C0-C9	1
1577050	LABEL - ITEM LETTERS - D0-D9	1
1577051	LABEL - ITEM LETTERS - E0-E9	1
1577052	LABEL - ITEM LETTERS - F0-F9	1
1577053	LABEL - ITEM LETTERS - G0-G9	1
1590050	SETUP GUIDE - MAIN - GPL SNACK	1
1720003	SUPPLEMENT - GPL SNACK	1
9989822	CLIP - TRAY HARNESS	5

TABLE 43C: BAG ASSEMBLY B1720003 - MEXICO

PART NUMBER	DESCRIPTION	QTY
WD452001	WIRING DIAGRAM - 452 AND 453	1
1477071	PACKAGE ASSEMBLY - PRODUCT PUSHER	1
1477083	RETAINER - SPIRAL - WALL	10
1477123	PRICE ROLL - 0TO25 - UK/GER/FR(K	60
1575107	TAG - PRICE - GUM & MINT - .25-1.55	1
1577047	LABEL - ITEM LETTERS - A0-A9	1
1577048	LABEL - ITEM LETTERS - B0-B9	1
1577049	LABEL - ITEM LETTERS - C0-C9	1
1577050	LABEL - ITEM LETTERS - D0-D9	1
1577051	LABEL - ITEM LETTERS - E0-E9	1
1577052	LABEL - ITEM LETTERS - F0-F9	1
1577053	LABEL - ITEM LETTERS - G0-G9	1
1590050	SETUP GUIDE - MAIN - GPL SNACK	1
1720003	SUPPLEMENT - GPL SNACK	1
9989822	CLIP - TRAY HARNESS	5

TABLE 43D: BAG ASSEMBLY - 37 - B1720004

PART NUMBER	DESCRIPTION	QTY
WD452001	WIRING DIAGRAM - 452 AND 453	1
1477015	ROLL - PRICE DOLLARS	65
1477071	PACKAGE ASSEMBLY - PRODUCT PUSHER	1
1477083	RETAINER - SPIRAL - WALL	10
1575107	TAG - PRICE - GUM & MINT - .25-1.55	1
1577047	LABEL - ITEM LETTERS - A0-A9	1
1577048	LABEL - ITEM LETTERS - B0-B9	1
1577049	LABEL - ITEM LETTERS - C0-C9	1
1577050	LABEL - ITEM LETTERS - D0-D9	1
1577051	LABEL - ITEM LETTERS - E0-E9	1
1577052	LABEL - ITEM LETTERS - F0-F9	1
1577053	LABEL - ITEM LETTERS - G0-G9	1
1590050	SETUP GUIDE - MAIN - GPL SNACK	1
9989822	CLIP - TRAY HARNESS	5

TABLE 43E: BAG ASSEMBLY - 31 - B1730000

PART NUMBER	DESCRIPTION	QTY
WD452001	WIRING DIAGRAM - 452 AND 453	1
1477071	PACKAGE ASSEMBLY - PRODUCT PUSHER	1
1477083	RETAINER - SPIRAL - WALL	10
1477123	PRICE ROLL-0TO25-UK/GER/FR	40
1575107	TAG - PRICE - GUM & MINT - .25-1.55	1
1577047	LABEL - ITEM LETTERS - A0-A9	1
1577048	LABEL - ITEM LETTERS - B0-B9	1
1577049	LABEL - ITEM LETTERS - C0-C9	1
1577050	LABEL - ITEM LETTERS - D0-D9	1
1577051	LABEL - ITEM LETTERS - E0-E9	1
1577052	LABEL - ITEM LETTERS - F0-F9	1
1577053	LABEL - ITEM LETTERS - G0-G9	1
1590050	SETUP GUIDE - MAIN - GPL SNACK	1
1720003	SUPPLEMENT - GPL SNACK	1

TABLE 43F: BAG ASSEMBLY - 1P - B4520000

PART NUMBER	DESCRIPTION	QTY
WD452001	WIRING DIAGRAM - 452 AND 453	1
1477071	PACKAGE ASSEMBLY - PRODUCT PUSHER	1
1477083	RETAINER - SPIRAL - WALL	10
1472273	PRICE ROLL-UK-1L/10L,35P/95P EA	5
1472274	PRICE ROLL-UK-1L/10L,8P/35P EA	40
1575107	TAG - PRICE - GUM & MINT - .25-1.55	1
1572205	ROLL-PRICE-UK-36PTO62P+FREE EA	10
1572206	ROLL-PRICE-UK,63P TO 90P, KB EA	5
1577061	LABEL - ITEM LETTERS - A0-A9 - U.K EA	1
1577062	LABEL - ITEM LETTERS - B0-B9 - U.K EA	1
1577063	LABEL - ITEM LETTERS - C0-C9 - U.K EA	1
1577064	LABEL - ITEM LETTERS - D0-D9 - U.K EA	1
1577065	LABEL - ITEM LETTERS - E0-E9 - U.K EA	1
1577066	LABEL - ITEM LETTERS - F0-F9 - U.K EA	1
1577067	LABEL - ITEM LETTERS - G0-G9 - U.K EA	1
1590050	SETUP GUIDE - MAIN - GPL SNACK	1
1720003	SUPPLEMENT - GPL SNACK	1
4612001	DECAL - "CHILLED FOR FRESHNESS"	1

TABLE 43G: BAG ASSEMBLY - B4520002

PART NUMBER	DESCRIPTION	QTY
WD452001	WIRING DIAGRAM - 452 AND 453	1
1477015	ROLL - PRICE DOLLARS	45
1477014	ROLL - PRICE CENTS	45
1477071	PACKAGE ASSEMBLY - PRODUCT PUSHER	1
1575083	COIN CHUTE & BRACKET ASSEMBLY	1
1575086	INSTRUCITON SHEET - COIN CHUTE & BRK	1
1477083	RETAINER - SPIRAL - WALL	10
1575107	TAG - PRICE - GUM & MINT - .25-1.55	1
1577047	LABEL - ITEM LETTERS - A0-A9	1
1577048	LABEL - ITEM LETTERS - B0-B9	1
1577049	LABEL - ITEM LETTERS - C0-C9	1
1577050	LABEL - ITEM LETTERS - D0-D9	1
1577051	LABEL - ITEM LETTERS - E0-E9	1
1577052	LABEL - ITEM LETTERS - F0-F9	1
1577053	LABEL - ITEM LETTERS - G0-G9	1
1720003	SUPPLEMENT - GPL SNACK	1
4612001	DECAL - "CHILLED FOR FRESHNESS"	1

TABLE 43H: BAG ASSEMBLY 33 - B4520003

PART NUMBER	DESCRIPTION	QTY
WD452001	WIRING DIAGRAM - 452 AND 453	1
1477071	PACKAGE ASSEMBLY - PRODUCT PUSHER	1
1477083	RETAINER - SPIRAL - WALL	10
1477123	PRICE ROLL - 0T025 - UK/GER/FR(K)	42
1572205	ROLL - PRICE - UK-36PT062P+FREE	10
1572206	ROLL - PRICE - UK,63P TO 90P, KB	5
1577054	LABEL - ITEM LETTERS - A0-A9-GER	1
1577055	LABEL - ITEM LETTERS - B0-B9-GER	1
1577056	LABEL - ITEM LETTERS - C0-C9-GER	1
1577057	LABEL - ITEM LETTERS - D0-D9-GER	1
1577058	LABEL - ITEM LETTERS - E0-E9-GER	1
1577059	LABEL - ITEM LETTERS - F0-F9-GER	1
1577060	LABEL - ITEM LETTERS - G0-G9-GER	1
1590050	SETUP GUIDE - MAIN - GPL SNACK	1
1720003	SUPPLEMENT - GPL SNACK	1
4612001	DECAL - "CHILLED FOR FRESHNESS"	1

TABLE 43I: BAG ASSEMBLY - 15 - B4520004

PART NUMBER	DESCRIPTION	QTY
WD452002	WIRING DIAGRAM - 452 AND 453	1
1477015	ROLL - PRICE DOLLARS	45
1477071	PACKAGE ASSEMBLY - PRODUCT PUSHER	1
1477083	RETAINER - SPIRAL - WALL	10
1575107	TAG - PRICE - GUM & MINT - .25-1.55	1
1577047	LABEL - ITEM LETTERS - A0-A9	1
1577048	LABEL - ITEM LETTERS - B0-B9	1
1577049	LABEL - ITEM LETTERS - C0-C9	1
1577050	LABEL - ITEM LETTERS - D0-D9	1
1577051	LABEL - ITEM LETTERS - E0-E9	1
1577052	LABEL - ITEM LETTERS - F0-F9	1
1577053	LABEL - ITEM LETTERS - G0-G9	1
1590050	SETUP GUIDE-MAIN - GPL SNACK	1
4529003	LIST - HARNESS	1
4612001	DECAL - "CHILLED FOR FRESHNESS"	1

Part Number	Page	Part Number	Page	Part Number	Page
1101906	76	1477015	53, 55, 81, 82, 83, 84	1489008	31
1122138	19	1477020	55	1570117	79
1127808	63	1477022	57	1571012	76
1141046	59	1477071	80, 81, 82, 83, 84	1571017	17
1142017	17	1477074	55	1571022	35, 37
1172021	43	1477083	80, 81, 82, 83, 84	1571029	35, 37
1172115	19	1477097	53, 55	1571037	17
1172190	13	1477106	57	1571074	35, 37
1172191	13	1477107	57	1571078	63
1211105	15, 17, 45	1477113	53, 55	1571079	63
1211110	67	1477114	33, 59	1571081	63
1211112	43	1477123	55, 81, 82, 84	1571085	74
1211161	45	1477134	53, 55	1571090	17, 37
1302289	13	1477148	53, 55	1571091	17
1302290	13	1477155	57	1571098	15
1302291	13	1477157	53, 55	1571112	71
1302324	13	1479052	29	1571113	63
1302326	13	1479062	33	1571115	43
1402120	11	1479063	33	1571120	37
1411194	74	1479064	31	1571123	51
1411195	74	1479075	31	1571175	35, 37, 39
1412058	21	1479076	31	1571183	35
1437204	61	1479077	31	1571198	41
1451041	17	1479078	31	1572007	15, 17
1451097	37, 51	1479079	31	1572009	17
1452059	11	1479080	31	1572010	3, 5
1452139	25, 33	1479081	29	1572011	5
1452209	3, 11	1479082	29	1572016	19
1452312	59	1479083	29	1572020	11
1457027	59	1479084	29	1572027	11
1457061	57	1479089	31	1572028	11
1457062	57	1479092	31	1572029	23
1457063	57	1479095	31	1572044	19
1457064	57	1479097	31	1572045	19
1457065	57	1479098	31	1572046	19
1471054	35, 37	1479099	31	1572047	19
1471065	35	1479101	29	1572053	21
1471090	35, 37, 39	1479103	29	1572060	9
1471098	43	1479104	29	1572088	79
1471237	37, 43	1479105	29	1572089	79
1471398	37	1479106	31	1572090	79
1472048	11	1479117	31	1572091	79
1472132	11, 17	1479119	29	1572092	79
1472178	5	1479120	31	1572093	79
1472223	61	1479125	29	1572095	79
1472250	5	1479126	33	1572098	79
1472251	65	1479130	31	1572186	75
1472273	55, 83	1479136	31	1572187	75
1472274	55, 83	1479139	31	1572188	75
1475026	63	1479140	11	1572205	55, 83, 84
1475072	63	1479145	33	1572206	55, 83, 84
1475089	65	1487009	53, 55	1572229	21, 23
1475099	63	1487016	53, 55	1572230	23
1477014	53, 55, 83	1489006	31	1572269	23

Part Number	Page	Part Number	Page	Part Number	Page
1572270	79	1577049	80, 81, 82, 83, 84	1592035	7
1572271	79	1577050	80, 81, 82, 83, 84	1592036	7
1572289	21	1577051	80, 81, 82, 83, 84	1592038	7
1572315	21, 23	1577052	80, 81, 82, 83, 84	1592039	7
1572317	23	1577053	80, 81, 82, 83, 84	1592040	7
1572351	33	1577054	84	1592042	7
1572353	23	1577055	84	1592044	7
1572378	11	1577056	84	1592045	7
1572410	23	1577057	84	1592062	9
1572417	23	1577058	84	1592067	9
1572420	23	1577059	84	1592068	9
1572421	23	1577060	84	1592069	9
1572423	23	1577061	83	1592075	7
1572424	21, 23	1577062	83	1592076	7
1572425	23	1577063	83	1592077	9
1572426	21	1577064	83	1592078	9
1572445	11	1577065	83	1592088	7
1572447	21	1577066	83	1592089	9
1572448	21	1577067	83	1592090	9
1572449	21	1579003	72	1592092	9
1572450	21	1579008	72	1592093	9
1572452	23	1579009	73	1592102	7
1572457	21	1579018	72, 79	1592103	7
1575003	63	1579022	73	1592106	9
1575010	65	1579032	72	1592107	9
1575012	61	1579034	72	1595002	65
1575013	61	1579053	31	1595013	65
1575015	61	1581022	74	1595014	61
1575016	61	1581023	74	1595017	3
1575018	61	1581039	37, 51	1596014	35, 39
1575020	61	1581063	41	1599009	72
1575029	63	1582073	3, 11	1599011	72
1575033	61	1582074	11	1599200	72
1575034	61	1582075	11	1602004	9
1575035	61	1582080	21	1602016	9
1575040	61	1582108	79	1602028	9
1575044	61	1582126	21	1602030	9
1575049	61	1582127	21	1602041	7
1575052	61	1582134	3, 21	1602060	7
1575057	63	1582136	29	1602061	9
1575076	61	1582137	33	1602066	9
1575083	83	1582221	11	1602067	9
1575086	83	1582229	11	1602076	7
1575091	65	1582231	21	1602077	7
1575094	61, 63	1582232	21	1602078	9
1575098	3	1582233	21	1602079	7
1575099	3	1582237	21	1602081	7
1575106	5	1590050	81, 82, 83, 84	1602082	9
1575107	80, 81, 82, 83, 84	1590051	80	1602083	9
1576008	71	1592030	9	1606005	71
1577000	29	1592031	9	1670024	80
1577038	33, 53, 57	1592032	9	1670057	80
1577047	80, 81, 82, 83, 84	1592033	9	1670061	80
1577048	80, 81, 82, 83, 84	1592034	9	1671022	71

Part Number	Page	Part Number	Page	Part Number	Page
1672028	3, 21	1702025	19	1720003	80, 81, 82, 83, 84
1672029	25	1707001	53, 55	1720849	53
1672032	25	1707004	57	1720850	55
1672036	21	1707005	57	1722005	1, 3
1672037	21	1707006	57	1722006	7
1672038	23	1707007	57	1722008	7
1672039	23	1707008	57	1722012	7
1672043	25	1707009	57	1722013	7
1672044	25	1707010	57	1725004	61
1672050	25	1707011	57	1726000	25
1672051	25	1707012	57	1726001	25
1672052	27	1707013	57	1730855	55
1672054	27	1707014	57	1730856	53
1672055	27	1707015	57	1732001	1, 3
1672056	27	1707016	57	2204093	63
1672059	80	1707017	57	2206028	59
1672065	55	1707018	57	2221920	76
1672066	11	1707019	57	2222031	53, 55, 75
1672067	11	1707020	57	2222095	19
1672079	19	1707021	57	2222110	9
1672080	5	1707022	57	2222603	76
1672084	21, 23	1707023	57	2222604	76
1675006	61	1707030	53, 57	2228011	63
1676000	25	1707040	57	2271408	74
1676011	25	1707041	57	2272052	13
1677014	33	1707042	57	2302053	5, 61
1677024	29	1707043	57	2302218	19
1677038	80	1707044	57	2342315	63
1677039	80	1707045	57	3112163	13
1677171	31	1707046	57	3112164	13
1677175	33	1707047	57	3122056	31, 63
1679002	72	1707048	57	3151058	19
1679012	72	1707049	57	3502078	59
1679013	72	1707050	57	3502097	47
1679050	72	1707051	57	3634002	45
1679054	63, 72	1707057	57	4242145	15
1679055	69, 72	1707058	57	4245082	5
1679060	73	1707059	57	4245083	5
1679061	31, 72	1707060	57	4245084	5
1682047	21	1707061	55	4245186	21
1682048	21	1707062	53, 57	4246307	31
1682049	21	1707063	53, 57	4301152	45
1682054	27	1709001	69, 73	4304092	45
1682056	11	1709006	69, 73	4304194	45
1701005	37, 39	1709011	57, 72	4304195	45
1701006	35, 37	1709012	57, 72	4311068	43
1701008	37	1709013	53, 72	4314054	47
1701009	35, 39	1709014	53, 73	4364034	45
1701015	67	1709016	73	4407817	57
1701025	67, 69	1709018	39, 73	4520820	55
1702012	3	1709019	19, 73	4520821	53
1702022	19	1712004	3	4520822	59
1702023	19	1717001	53, 55	4520845	53
1702024	19	1717007	55	4520846	55

Part Number	Page	Part Number	Page	Part Number	Page
4520864	76	4529003	84	4614144	47
4521012	51	4530822	59	4621003	49
4521013	49	4530824	55	4640040	51
4521014	51	4530825	53	4641058	51
4521016	49	4530845	53	4641068	51
4521017	49	4530846	55	4721035	21
4521018	41	4531003	49	4732024	25, 33, 45
4521020	69	4531005	1	4744009	45
4521021	41	4531022	1	4774027	45
4521023	1	4531028	49	4774111	45
4521024	51	4531029	51	4774122	45
4521029	49	4531035	1	4842020	77
4521030	1	4531036	37	4842021	77
4521035	76	4532029	1	4971007	41
4521037	51	4532041	1	5262216	25
4521038	51	4532042	1	5560113	53, 55
4521042	76	4532047	1	5900187	65
4521043	76	4534002	47	5900205	65
4521046	37	4534003	47	5900210	65
4522012	1	4534005	47	5900213	65
4522013	1	4534006	47	5900214	65
4522021	7	4534007	47	5900240	65
4522022	7	4534008	47	5900242	65
4522023	9	4534009	47	5900243	65
4522024	7	4534010	47	5900245	65
4525010	61, 65	4534012	45, 47	5900247	65
4525011	61	4534013	47	5900267	65
4527000	55	4534014	47	5900269	65
4527001	53	4534015	47	5900276	65
4527002	59	4534017	47	5900279	65
4527003	59	4534019	47	5900283	65
4527004	59	4534021	45	6106021	71
4527005	59	4534023	45	6131143	33
4527006	59	4534024	45	6231034	43
4527007	59	4534028	47	6231037	63
4527008	59	4534029	47	6231087	74
4527009	59	4534031	45	6231163	37, 43
4527010	59	4534036	47	6231203	43
4527011	59	4534037	49	6231242	35, 37
4527012	59	4534038	49	6232028	15
4527015	59	4534069	45, 49	6232031	15
4527016	59	4534070	45, 49	6232036	15
4527019	59	4534071	45	6232208	15
4527025	59	4534072	45	6330749	79
4527026	59	4534073	45	6331073	37
4527027	59	4537000	55	6331074	37
4527031	59	4537001	53	6335002	63
4527032	59	4537002	59	6849015	69, 73
4527033	39	4537003	59	7211273	21
4527034	35	4537004	59	7215019	65
4527036	59	4611007	51	7644006	45
4527038	59	4612001	83, 84	9900009	45
4529000	73	4614126	51	9900030	53, 55
4529001	45	4614135	45	9900081	9, 23, 33, 47, 67, 69, 75

Part Number	Page	Part Number	Page	Part Number	Page
9900098	74	9989560	41	B	
9900121	13	9989576	41	B1720001	80
9900164	59	9989577	41	B1720002	81
9900170	13	9989594	61, 63	B1720003	81
9900184	23	9989672	67, 69	B1720004	82
9900206	29	9989674	67, 69	B1730000	82
9900218	43	9989677	45	B4520000	83
9900425	31, 59	9989685	63	B4520002	83
9900437	23	9989687	71	B4520003	84
9984094	69	9989750	63, 73	B4520004	84
9984516	79	9989755	71	G	
9984629	67, 69	9989821	53, 57	G1472027	9
9987852	45	9989822	80, 81, 82	W	
9989046	67, 69	9989823	63	WD452001	80, 81, 82, 83, 84
9989100	67, 69	9989841	41	WD452002	84
9989110	37, 69	9992400	13		

Part NumberPage

Part NumberPage

Part NumberPage

Terms and Conditions of Sale

LIMITED WARRANTY: Subject to the limitation specified herein, all parts included on original equipment manufactured by CRANE MERCHANDISING SYSTEMS and sold to purchaser are warranted for two (2) years from the date of shipment of the equipment in question. This warranty applies only to the original purchaser of the Merchandiser and is null and void if the Merchandiser is sold during the period of warranty.

Defective parts will be repaired or replaced free of charge when the defective part is returned, with transportation charges prepaid by purchaser, to a destination designated by CRANE MERCHANDISING SYSTEMS.

This warranty does not include any cost of service rendered or repairs made by customer or its agents on Merchandiser, or parts, unless authorization to incur such expense has been given in writing by CRANE MERCHANDISING SYSTEMS prior to incurring such expense. This warranty covers labor and service charges performed by CRANE MERCHANDISING SYSTEMS service technicians for the first 90 days of ownership from date of shipment.

This warranty does not apply to A) electrical components, wiring, or circuits or mechanical parts or assemblies damaged as a result of operating the Merchandiser at other than the design voltage and frequency specified on the Electrical Rating Tag, or B) in event of vandalism, fire or negligence, or C) incandescent lamps, neon lamps, fluorescent lamps, ballasts, starters or other expendable items, or D) when seal is broken on electronic boards, or E) when other manufactured components are installed in CRANE MERCHANDISING SYSTEMS Merchandisers.

Replacement parts sold by CRANE MERCHANDISING SYSTEMS as After Market shall be covered for three months from the date shown on the parts invoice. Purchaser must obtain prior RETURN AUTHORIZATION for return of all parts, following guidelines given by CRANE MERCHANDISING SYSTEMS. New, unused parts purchased as After Market can be returned within 30 days from date of parts invoice, with prior authorization from CRANE MERCHANDISING SYSTEMS.

THIS WARRANTY IS IN LIEU OF ALL OTHER WARRANTIES EXPRESS OR IMPLIED, INCLUDING WITHOUT LIMITATION, WARRANTIES OF MERCHANTABILITY OF FITNESS FOR A PARTICULAR PURPOSE. CRANE MERCHANDISING SYSTEMS SHALL NOT BE RESPONSIBLE FOR CONSEQUENTIAL OR PUNITIVE DAMAGES. CRANE MERCHANDISING SYSTEMS neither assumes nor authorizes any person to assume for it any obligation or liability in connection with the sale of said equipment or any part thereof.

