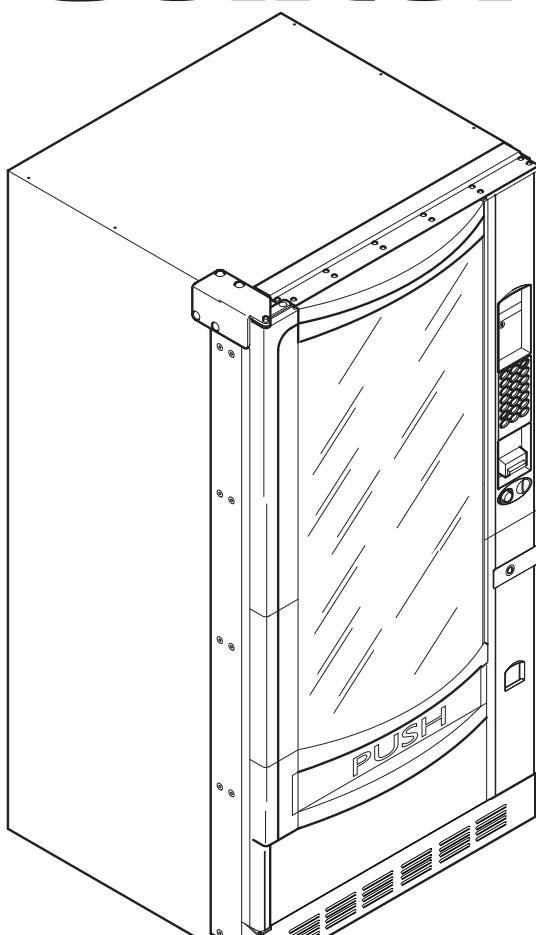


7210013

Model 721

Outdoor Snack Center **ATV**



PARTS MANUAL

CRANE MERCHANDISING SYSTEMS A Crane Co. Company
NATIONAL VENDORS

12955 Enterprise Way
Bridgeton, Missouri 63044-1200
(314) 298-3500 / (800) 621-7278
www.CraneMS.com

Copyright© 3-00

Reflects Bill of Material 03-00

7210013

List of Figures

Figure	Title	Page
1.	Overall Merchandiser	1
2.	Millennia Style Trim - Part 1.....	2
3.	Millennia Style Trim - Part 2.....	4
4.	Millennia Style Trim - Part 3.....	6
5.	Door Assembly - Part 1	8
6.	Door Assembly - Part 2	10
7.	Door Assembly - Part 3	12
8.	Door Assembly - Coin Receptacle	14
9.	Millennia Door Lock and Lock Cylinder Options.....	16
10.	Door Hinge Assemblies.....	18
11.	Delivery Pan and Top Deflector.....	20
12.	Delivery Pan Assembly Detail	22
13.	Inner Door Assembly.....	24
14.	Retractable Door Assembly.....	26
15.	Retractable Door Drive Mechanism Assembly	28
16.	Front Screen and Lower Front Cabinet Components	30
17.	Fluorescent Light Ballast and Lamp Harness Covers	32
18.	Tray Rail Mounting Channels, Product Deflector and Temp Sensor Probe	34
19.	Vertical Foamed Wall Components	36
20.	Horizontal Foamed Wall Components	38
21.	Air Distribution Column Components	40
22.	Left Side Light Assembly Installation.....	42
23.	Right Side Light Assembly Installation.....	44
24.	Light Assembly Detail.....	46
25.	Outer Door Sealing Gaskets	48
26.	Rear Screen and Refrigeration Stop Bracket.....	49
27.	Monetary Panel Weld Assembly	50
28.	Main Controller, Power Panel and Fluorescent Light Ballast	52
29.	Snack Interface PCB, Triac, Refrigeration Relay and Monetary Compartment Slides	54
30.	Power Panel Assembly.....	56
31.	Power Panel Assembly - U.K./Australia	58
32.	Power Control Panel Assembly - 230 V - France/Germany	60
33.	Refrigeration Assembly, Power Cord and Retainer Plate	62
35.	Monetary Panel - Back Side	64
36.	Monetary Panel - Front Side.....	66
37.	Faceplate Assembly Detail	68
39.	Validator Options and Validator Filler Plate Accessory	70
40.	Monetary Inserts - Upper Position.....	72
41.	Monetary Inserts - Lower Position	73
42.	Coin Chute and Coin Box and Money Box Lock Assembly.....	74
43.	Cabinet Mounted Tray Components.....	76
44.	Tray Assembly Detail.....	78
46.	Accessories Feature - Data Printer Interface	81
47.	Wiring Harnesses.....	82

Model 721 Parts Manual

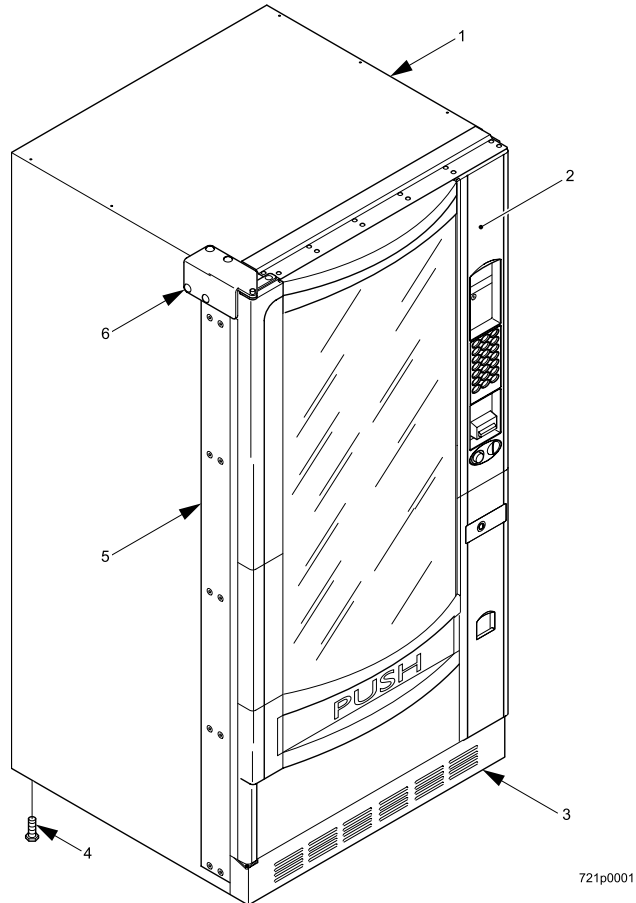
List of Tables

Table	Title	Page
2.	Millennia Style Trim - Part 1	3
3.	Millennia Style Trim - Part 2	5
4.	Millennia Style Trim - Part 3	7
5.	Door Assembly - Part 1	9
6.	Door Assembly - Part 2	11
7.	Door Assembly - Part 3	13
8.	Door Assembly - Coin Receptacle	15
9.	Millennia Door Lock and Lock Cylinder Options	17
10.	Door Hinge Assemblies	19
11.	Delivery Pan and Top Deflector	21
12.	Delivery Pan Assembly Detail	23
13.	Inner Door Assembly	25
14.	Retractable Door Assembly	27
15.	Retractable Door Drive Mechanism Assembly	29
16.	Front Screen and Lower Front Cabinet Components	31
17.	Fluorescent Light Ballast and Lamp Harness Covers	33
18.	Tray Rail Mounting Channels, Product Deflector and Temp Sensor Probe	35
19.	Vertical Foamed Wall Components	37
20.	Horizontal Foamed Wall Components	39
21.	Air Distribution Column Components	41
22.	Left Side Light Assembly Installation	43
23.	Right Side Light Assembly Installation	45
24.	Light Assembly Detail	47
27.	Monetary Panel Weld Assembly	51
28.	Main Controller, Power Panel and Fluorescent Light Ballast	53
29.	Snack Interface PCB, Triac, Refrigeration Relay and Monetary Compartment Slides	55
30.	Power Panel Assembly	57
31.	Power Panel Assembly - U.K./Australia	59
32.	Power Control Panel Assembly - 230 V - France/Germany	61
33.	Refrigeration Assembly, Power Cord and Retainer Plate	63
35.	Monetary Panel - Back Side	65
36.	Monetary Panel - Front Side	67
37.	Faceplate Assembly Detail	69
39.	Validator Options and Validator Filler Plate Accessory	71
42.	Coin Chute and Coin Box and Money Box Lock Assembly	75
43.	Cabinet Mounted Tray Components	77
44.	Tray Assembly Detail	79
47.	Wiring Harnesses	83
47.	Wiring Harnesses	85

Model 721 Parts Manual

TABLE 1. OVERALL MERCHANDISER

INDEX	PART NUMBER	DESCRIPTION	QTY
1	7211285	CABINET ASSEMBLY - INSULATED - BLACK	1
	7210009	CABINET ASSEMBLY - INSULATED - BLUE	
	7210008	CABINET ASSEMBLY - INSULATED - RED	
2	7212000	DOOR ASSEMBLY - MILLENNIA GRAY	1
	7212074	DOOR ASSEMBLY - BLUE	
	7212073	DOOR ASSEMBLY - RED	
3	7211290	WELD ASSEMBLY - BLACK KICK PANEL	1
	7211292	WELD ASSEMBLY - BLUE KICK PANEL	
	7211291	WELD ASSEMBLY - RED KICK PANEL	
4	4531016	LEVELER - CABINET - SHORT	4
5	7211293	VANDAL PANEL - BLACK HINGE SIDE	1
	7211295	VANDAL PANEL - BLUE	
	7211294	VANDAL PANEL - RED	
6	7211289	HINGE ASSEMBLY - BLACK UPPER	1
	7211297	HINGE ASSEMBLY - BLUE UPPER	
	7211296	HINGE ASSEMBLY - RED UPPER	



721p0001

Figure 1. Overall Merchandiser

Model 721 Parts Manual

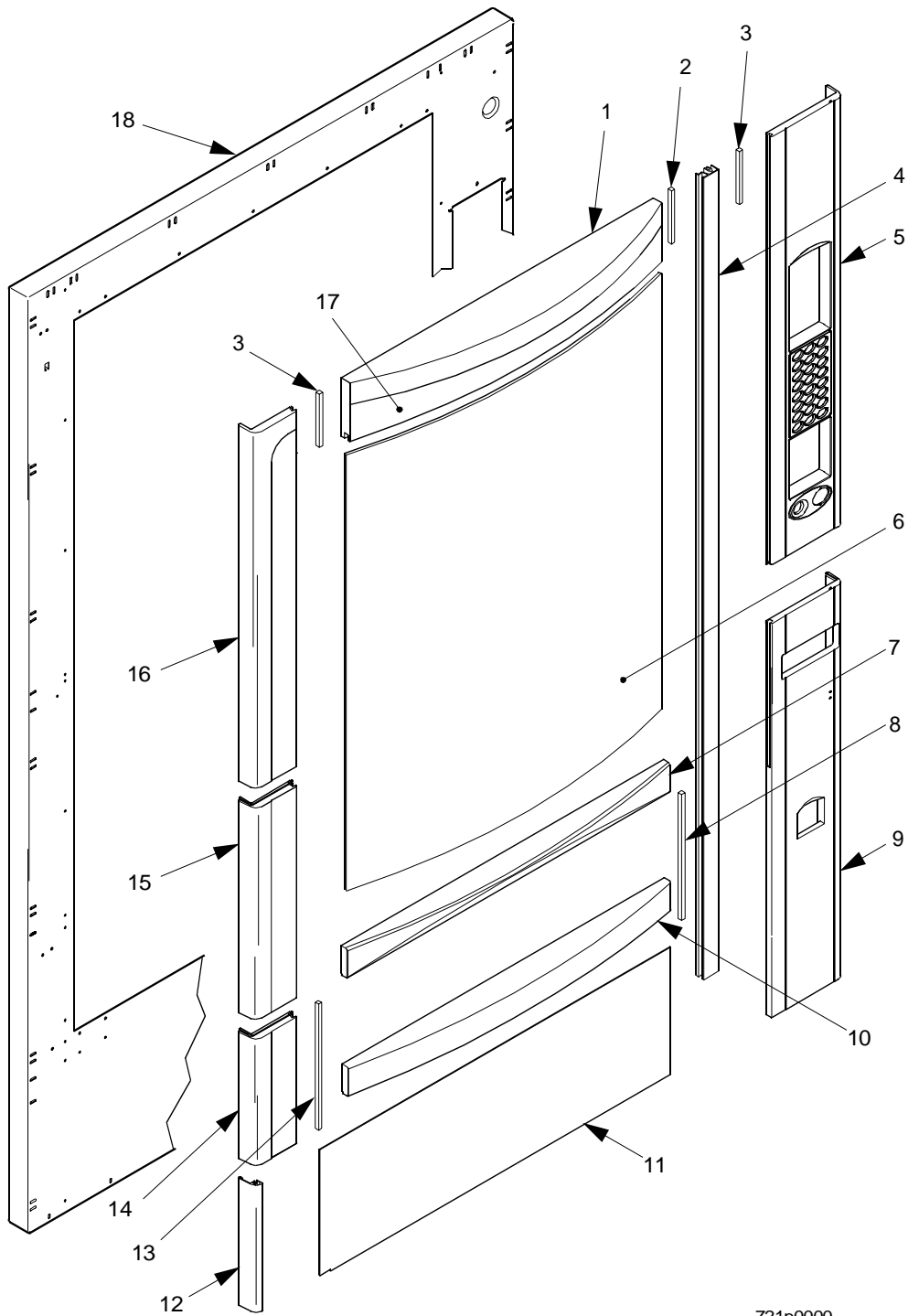


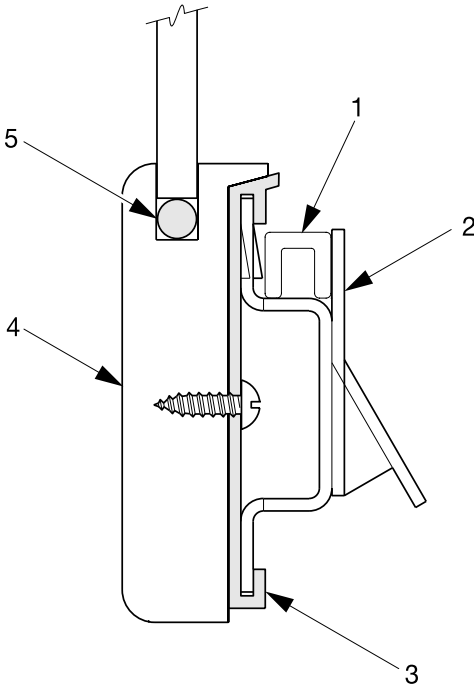
Figure 2. Millennium Style Trim - Part 1

Model 721 Parts Manual

TABLE 2. MILLENNIA STYLE TRIM - PART 1

INDEX	PART NUMBER	DESCRIPTION	QTY
1	4972200	HORIZONTAL TRIM - TOP - 40" - GRAY	1
	7212096	HORIZONTAL TRIM - TOP - 40" - BLUE	
	7212095	HORIZONTAL TRIM - TOP 40" - RED	
2	1572259	FILLER - GROOVE - SHORT (USED WITH GRAY TRIM ONLY)	2
	1572393	FILLER - GROOVE - SHORT - BLACK (USED WITH RED AND BLUE TRIM)	
3	1572393	FILLER - GROOVE - SHORT - BLACK	1
4	7212018	TRIM - DOOR - INSIDE - BLACK	1
	7212082	TRIM - DOOR - INSIDE - BLUE	
	7212081	TRIM - DOOR - INSIDE - RED	
5	1572254	RT. PANEL MONETARY & BUTTON ASSEMBLY - GRAY	1
	7212110	RT. PANEL MONETARY & BUTTON ASSEMBLY - BLUE	
	7212109	RT. PANEL MONETARY & BUTTON ASSEMBLY - RED	
6	7212009	LEXAN - CURVED FRONT	1
7	4972192	HORIZ TRIM & GLASS CHANNEL ASSEMBLY	1
8	4852206	FILLER - GROOVE - BLACK (GRAY TRIM)	1
		FILLER - GROOVE - BLACK (RED AND BLUE TRIM)	2
9	1572214	RIGHT HAND TRIM - LOWER - B - GRAY	1
	7212080	FRONT PANEL - RIGHT HAND - LOWER "B" - BLUE	
	7212079	FRONT PANEL - RIGHT HAND - LOWER "B" - RED	
10	4972202	HORIZONTAL TRIM - LOWER - 40 - K2	1
11	7212011	PANEL - BOTTOM TRIM - MILL. GRAY	1
	7212076	PANEL - BOTTOM TRIM - BLUE	
	7212075	PANEL - BOTTOM TRIM - RED	
12	7212013	TRIM - LOWER - DOOR SIDE - GRAY	1
	7212078	TRIM - LOWER - DOOR - SIDE - BLUE	
	7212077	TRIM - LOWER - DOOR - SIDE - RED	
13	1572260	FILLER - GROOVE - LONG (GRAY TRIM ONLY)	1
14	4552060	TRIM - BOTTOM - LEFT HAND - "E"	1
	7212090	LEFT HAND TRIM - BOTTOM - "E" - BLUE	
	7212089	LEFT HAND TRIM - BOTTOM - "E" - RED	
15	7212010	DOOR TRIM - D - LEFT SIDE	1
	7212092	LEFT HAND TRIM - MIDDLE "D" - BLUE	
	7212091	LEFT HAND TRIM - MIDDLE "D" - RED	
16	4552058	TRIM - UPPER - LEFT HAND - "C"	1
	7212094	LEFT HAND TRIM - UPPER - "C" - BLUE	
	7212093	LEFT HAND TRIM - UPPER - "C" - RED	
17	7212132	DECAL - TRIM - HORIZONTAL "H2" - TEMP. CONTROLLED	1
18	7212007	W/A - DOOR - BLACK	1

Model 721 Parts Manual



721p0007

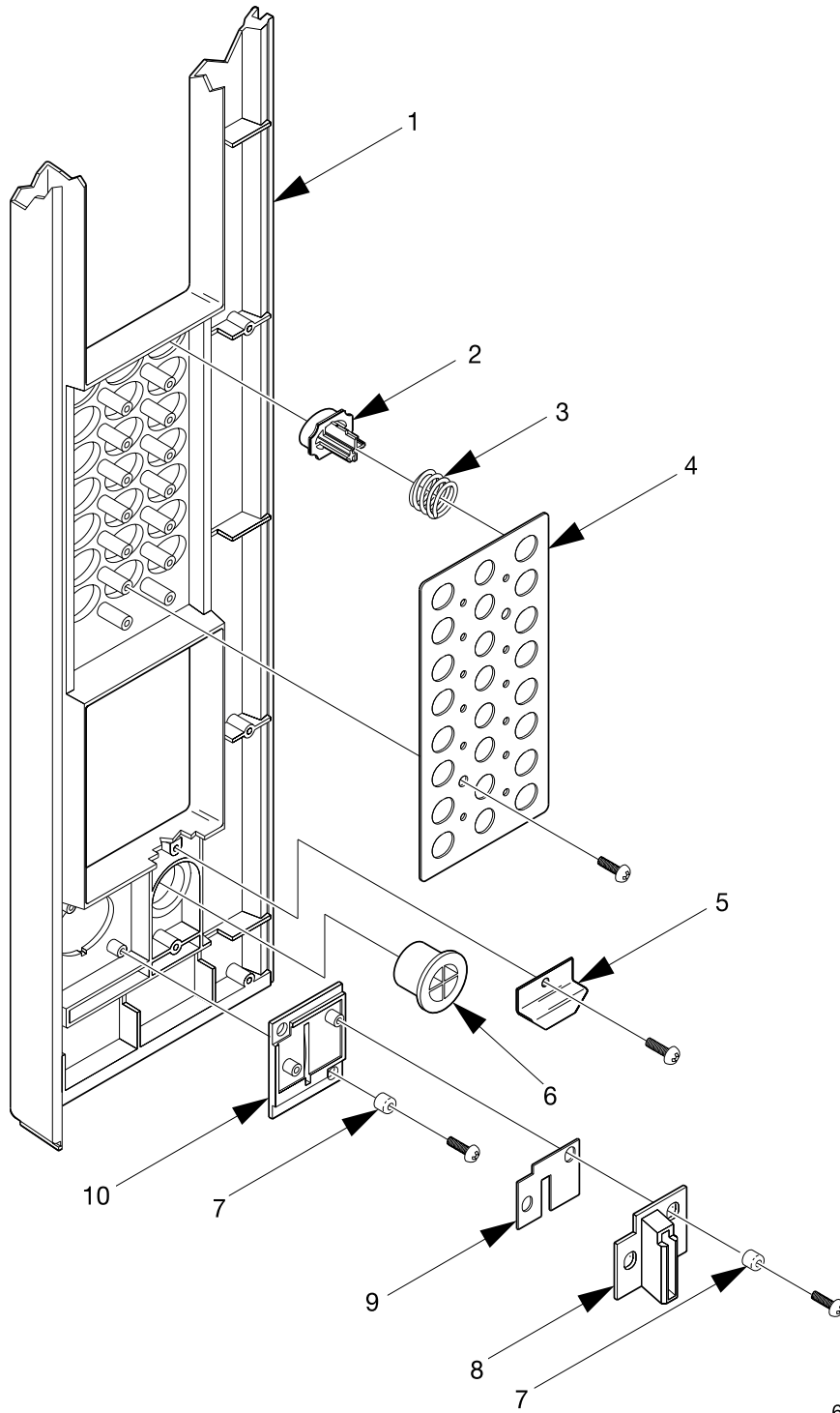
Figure 3. Millennium Style Trim - Part 2

Model 721 Parts Manual

TABLE 3. MILLENNIA STYLE TRIM - PART 2

INDEX	PART NUMBER	DESCRIPTION	QTY
1	4972106	SPACER - LIGHT BRACKET	1
2	4972209	PANEL ASSEMBLY - GLASS - LOWER	1
3	4972214	TRIM PANEL - W/HOLES & BLK.ANOD.	1
4	4972201	HORIZONTAL TRIM - UPPER - 40 - J2	1
5	4972113	GASKET - GLASS	1

Model 721 Parts Manual



639p0063

Figure 4. Millennium Style Trim - Part 3

Model 721 Parts Manual

TABLE 4. MILLENNIA STYLE TRIM - PART 3

INDEX	PART NUMBER	DESCRIPTION	QTY
1	1572213	RIGHT HAND TRIM - UPPER - A - 21 - GRAY	1
	7212084	RIGHT PANEL - MONETARY - 7 PUSH BUTTON - BLUE	
	7212083	RIGHT PANEL - MONETARY - 7 PUSH BUTTON - RED	
2	1572212	ARRAY - PUSH BUTTON SELECTION	1
3	1572224	SPRING - PUSH BUTTON	21
4	1572223	PLATE - STOP BUTTONS	1
5	1572292	RETAINER - RETURN BUTTON	1
6	1572210	COIN RETURN BUTTON - A - 2	1
7	2302053	SPACER CUP	4
8	1572323	EXTENSION - COIN INSERT	1
9	1472222	COIN BLOCK (PRESENT ONLY WHEN REQUIRED BY LOCATION)	1
10	1572209	COIN INSERT - A - 1	1

Model 721 Parts Manual

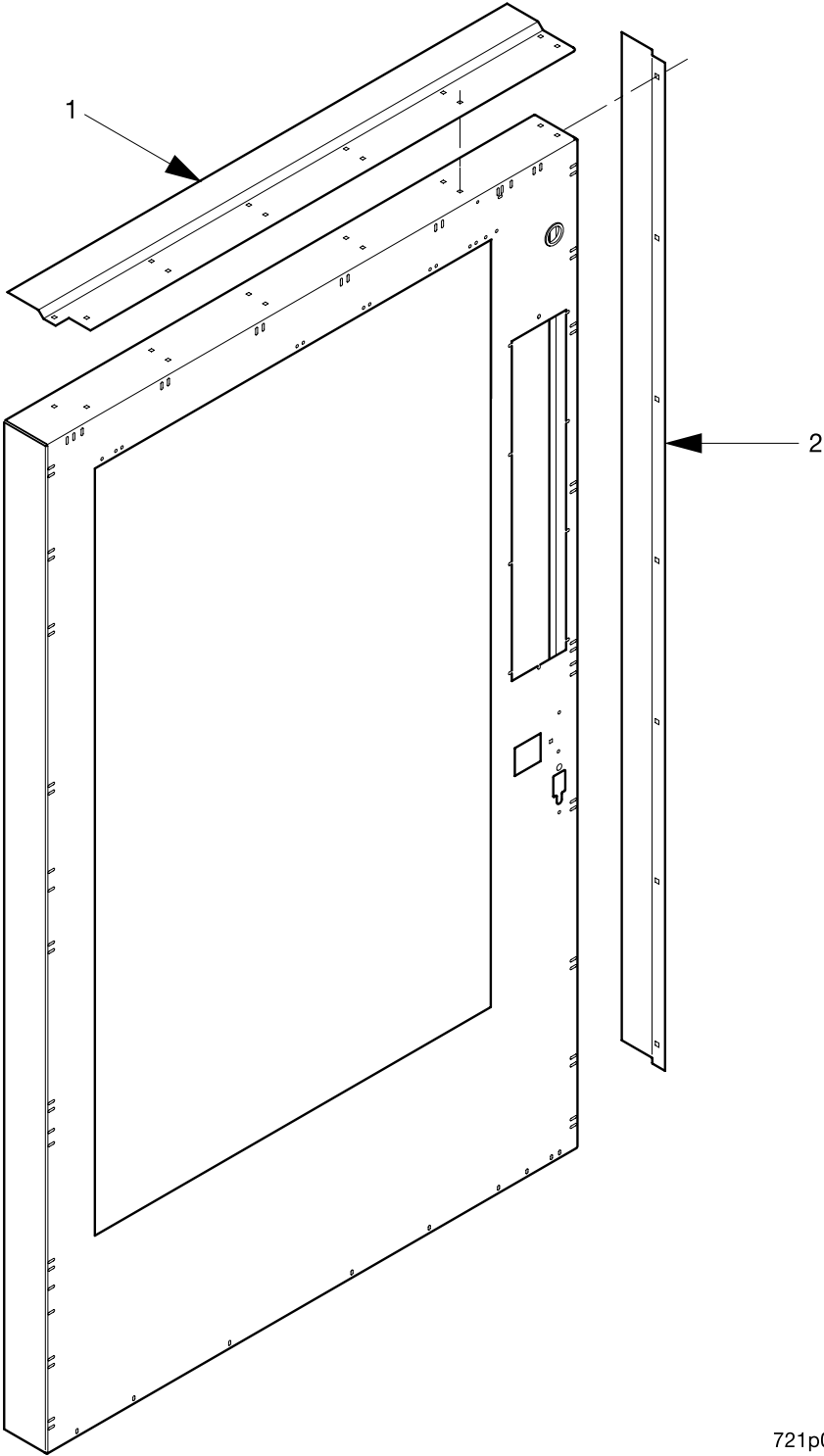


Figure 5. Door Assembly - Part 1

Model 721 Parts Manual

TABLE 5. DOOR ASSEMBLY - PART 1

INDEX	PART NUMBER	DESCRIPTION	QTY
1	7212101	GUARD - RAIN - BLACK	1
	7212088	GUARD - RAIN - BLUE	
	7212087	GUARD - RAIN - RED	
2	7212102	PANEL - VANDAL - LOCK SIDE - BLACK	1
	7212086	PANEL - VANDAL - LOCK SIDE - BLUE	
	7212085	PANEL - VANDAL - LOCK SIDE - RED	

Model 721 Parts Manual

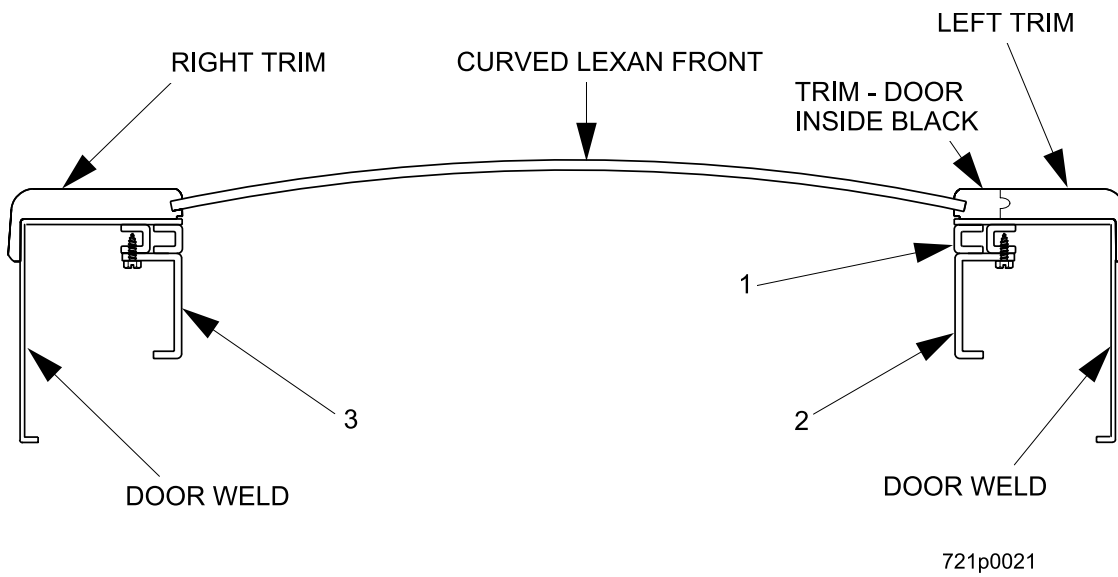


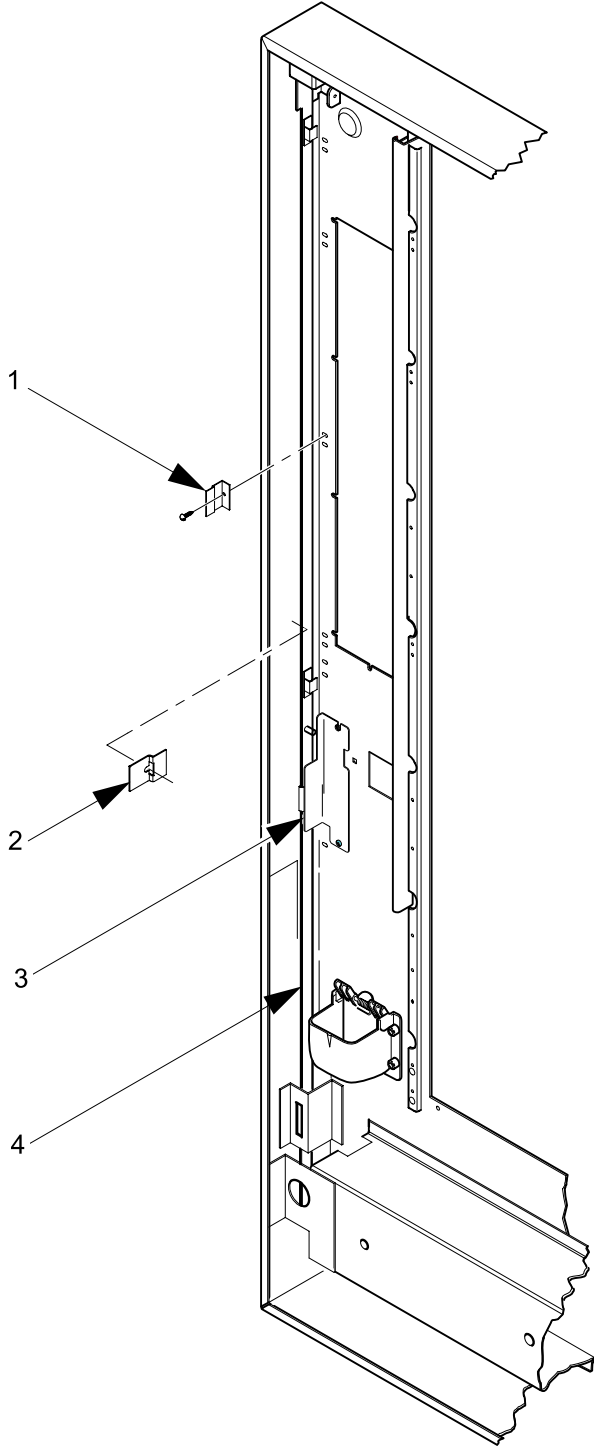
Figure 6. Door Assembly - Part 2

Model 721 Parts Manual

TABLE 6. DOOR ASSEMBLY - PART 2

INDEX	PART NUMBER	DESCRIPTION	QTY
1	7212017	SPACER - GLASS RETAINER	2
2	7212016	BAFFLE - DOOR - LEFT	1
3	7212015	BAFFLE - DOOR - RIGHT	1

Model 721 Parts Manual



721p0013

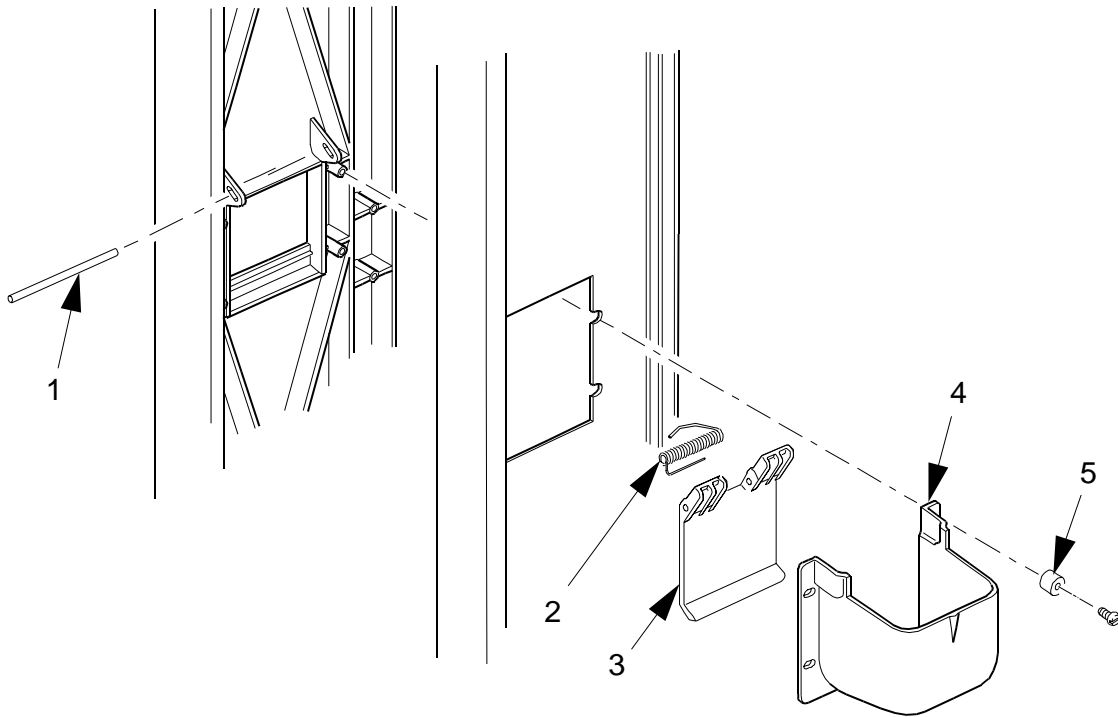
Figure 7. Door Assembly - Part 3

Model 721 Parts Manual

TABLE 7. DOOR ASSEMBLY - PART 3

INDEX	PART NUMBER	DESCRIPTION	QTY
1	1472250	GUIDE - LOCK BAR	1
2	7212025	RETAINER, LOCK BAR	1
3	7212023	FILLER ASSEMBLY - CHANNEL LOCK	1
4	7212027	LOCK BAR ASSEMBLY	1
-	3102162	1/2 TEE BOLT TRIM (ATTACHES INDEX 3)	2

Model 721 Parts Manual



COIN RECEPTACLE ASSEMBLY - MILLINIUM

721p0015

Figure 8. Door Assembly - Coin Receptacle

Model 721 Parts Manual

TABLE 8. DOOR ASSEMBLY - COIN RECEPTACLE

INDEX	PART NUMBER	DESCRIPTION	QTY
1	4245084	SHAFT - DOOR - COIN RETURN	1
2	4245083	SPRING COIN RETURN DOOR	1
3	4245082	GATE COIN RETURN	1
4	1572010	CUP - COIN RETURN	1
5	2302053	SPACER CUP	4

Model 721 Parts Manual

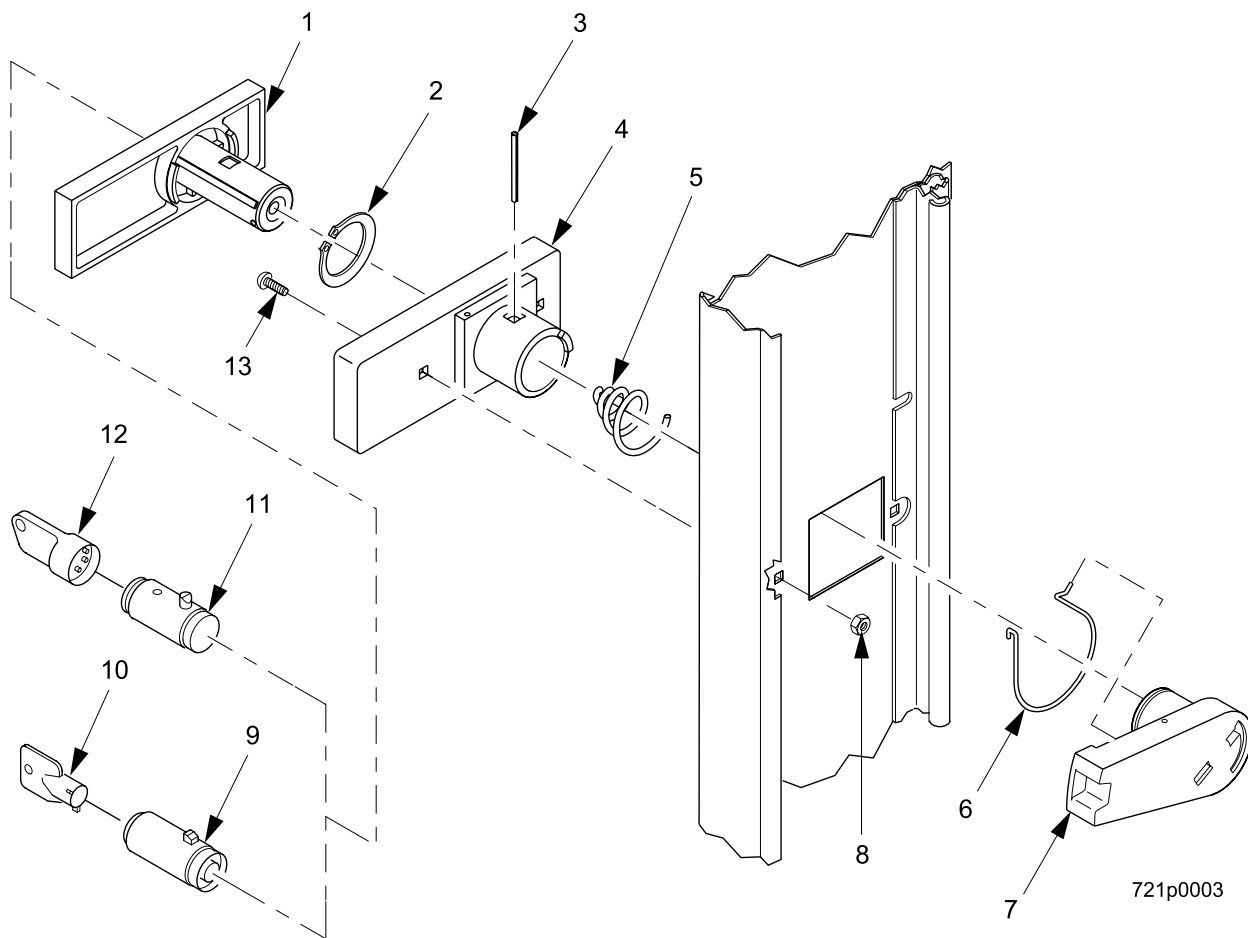


Figure 9. Millennium Door Lock and Lock Cylinder Options

Model 721 Parts Manual

TABLE 9. MILLENNIA DOOR LOCK AND LOCK CYLINDER OPTIONS

INDEX	PART NUMBER	DESCRIPTION	QTY
-	1572395	LOCK ASSEMBLY - MILLENNIA - NAMA STD.	1
1	1572397	LEVER - HANDLE	1
2	1572199	RETAINING RING - LOCK ACTUATOR	1
3	6104218	ROLL PIN 1/8 X 1 IN	1
4	1572396	BASE - LOCK HANDLE	1
5	1572203	SPRING - LOCK	1
6	1572204	SPRING - LIFT - ACTUATOR	1
7	1572398	ACTUATOR - LOCK BAR	1
8	9900152	NUT #10-24	2
9	9992400	LOCK CYLINDER #4355 - 19 - A	1
10	--	KEY	1
11	3112163	CYLINDER - VAN LOCK #4275	1
12	3112164	KEY - VAN LOCK #K5 - STD.COMBINATN	1
13	2221908	CARRIAGE BOLT - BASE PLATE	2

Model 721 Parts Manual

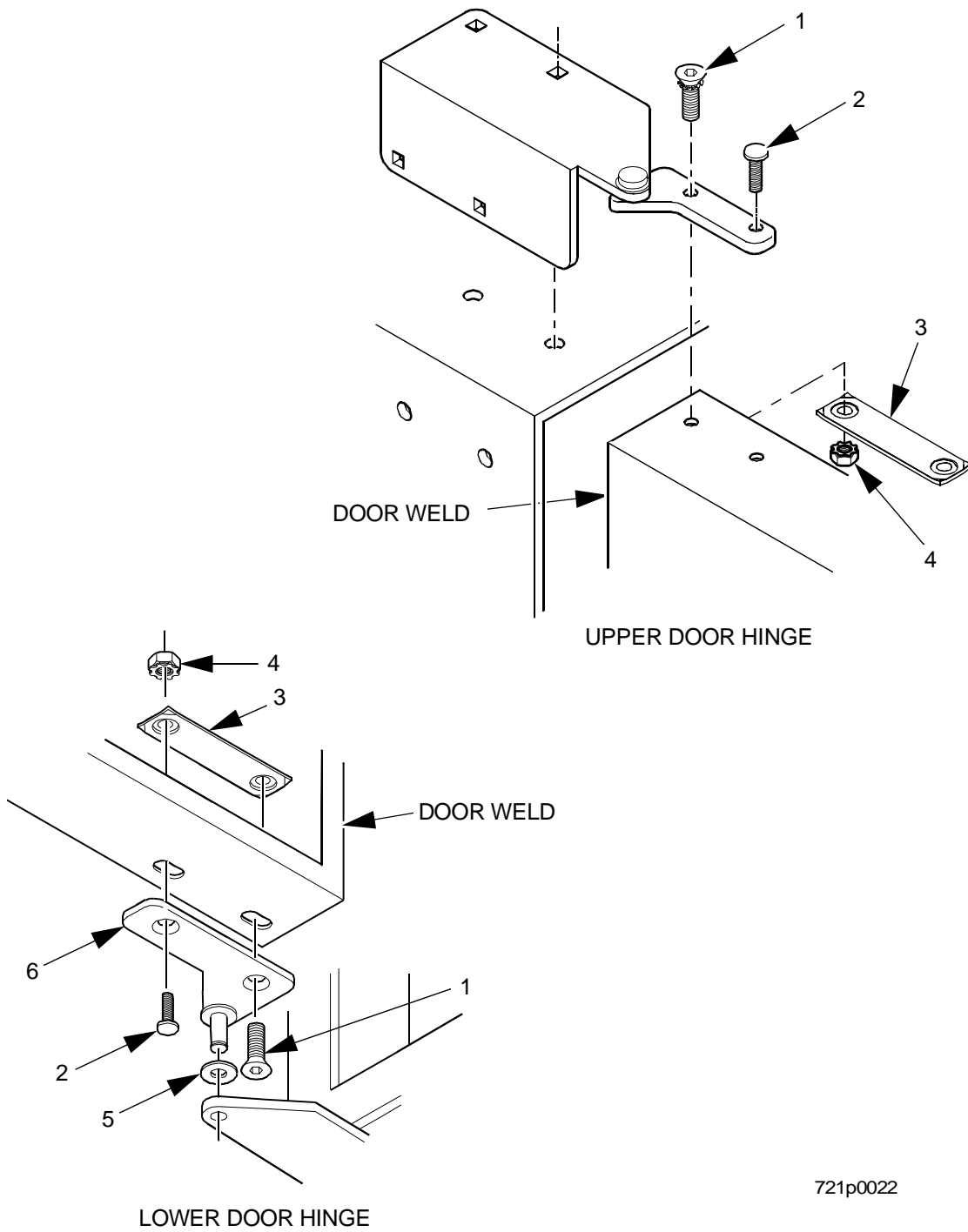


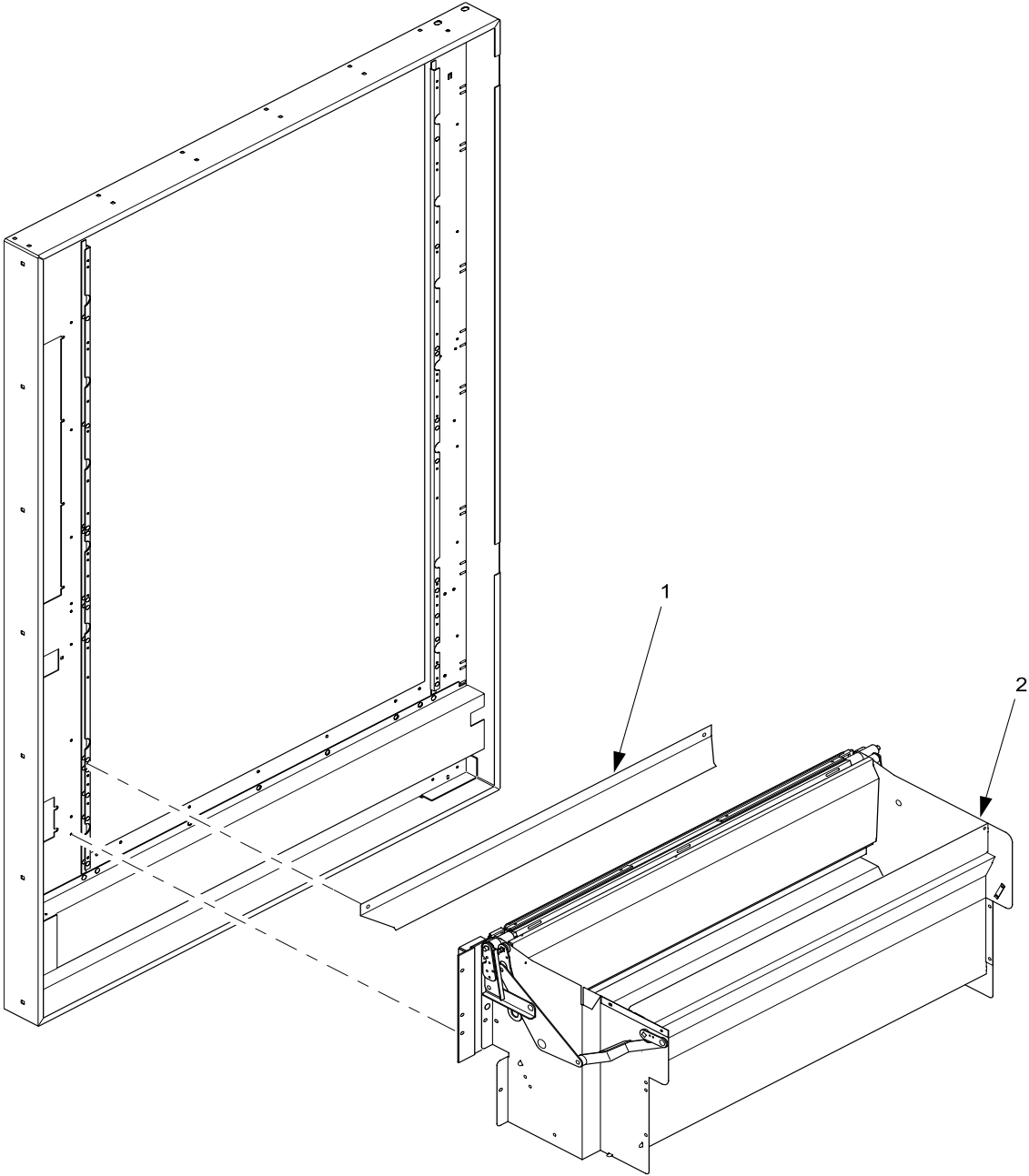
Figure 10. Door Hinge Assemblies

Model 721 Parts Manual

TABLE 10. DOOR HINGE ASSEMBLIES

INDEX	PART NUMBER	DESCRIPTION	QTY
1	6232036	SCREW - 5/16 - 18X.75 FLT.HDSOCKET	2
2	6232208	WELD SCREW - #1/4 - 20 X 1LG	2
3	6232028	PLATE ASSEMBLY - HINGE MTG	2
4	1211105	1/4 - 20 KEPS NUT EXT LW ZP	9
5	4242145	BEARING - THRUST - LOWER HINGE	1
6	6232031	HINGE ASSEMBLY - DOOR - LOWER - BLACK	1
	7212114	DOOR HINGE ASSEMBLY - LOWER - BLUE	
	7212113	DOOR HINGE ASSEMBLY - LOWER - RED	

Model 721 Parts Manual



721p0012

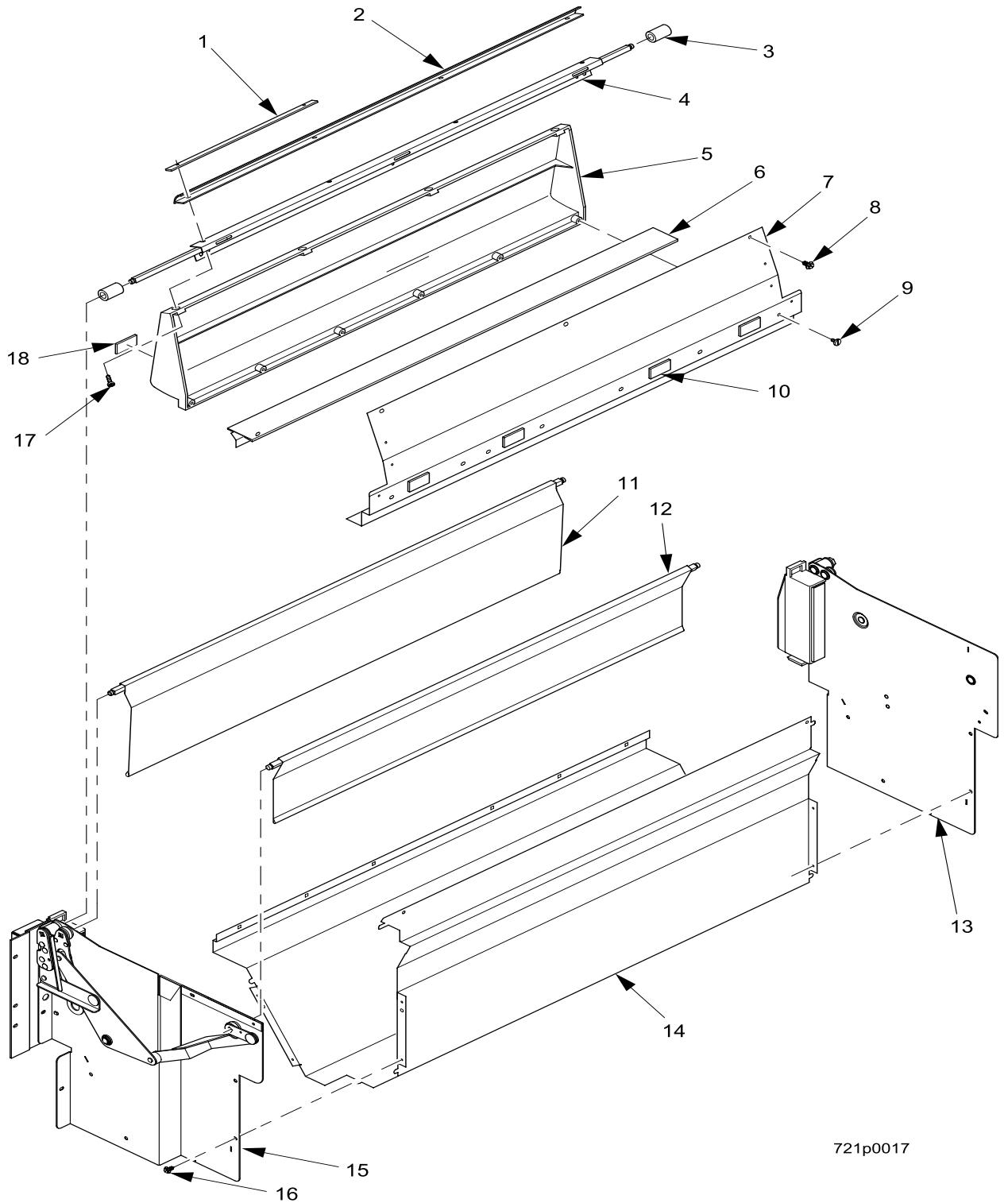
Figure 11. Delivery Pan and Top Deflector

Model 721 Parts Manual

TABLE 11. DELIVERY PAN AND TOP DEFLECTOR

INDEX	PART NUMBER	DESCRIPTION	QTY
1	7972001	DEFLECTOR-UPPER-40"-FLT" T"BLK	1
2	7212153	OUTDOOR DELIVERY PAN ASSY-38"	1

Model 721 Parts Manual



721p0017

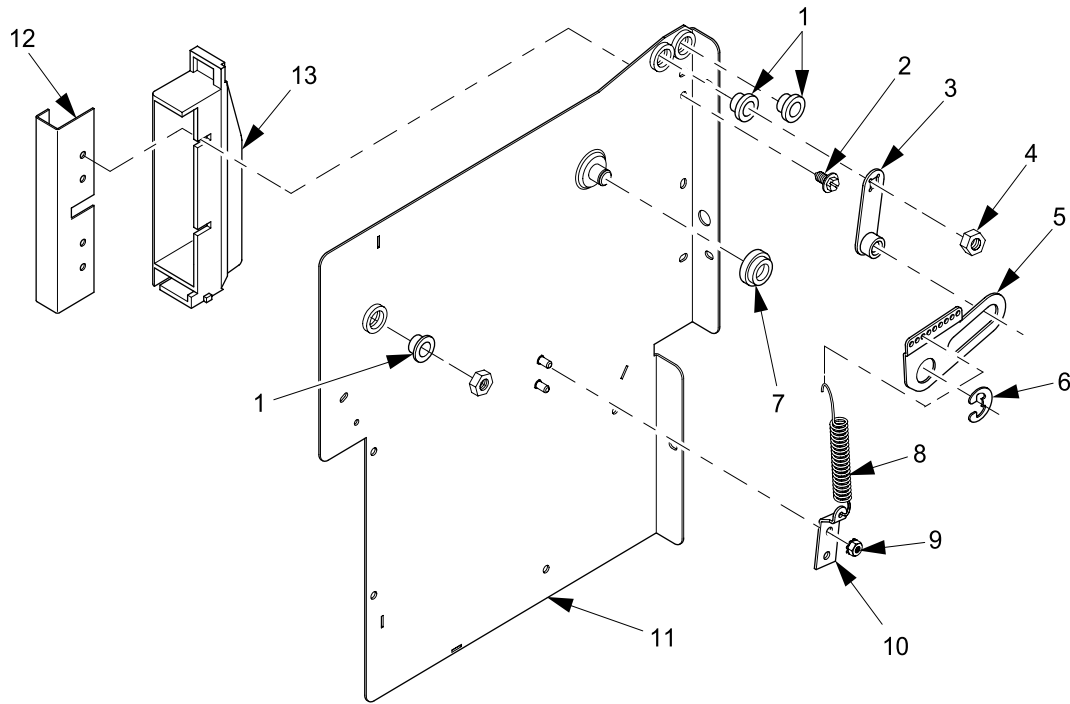
Figure 12. Delivery Pan Assembly

Model 721 Parts Manual

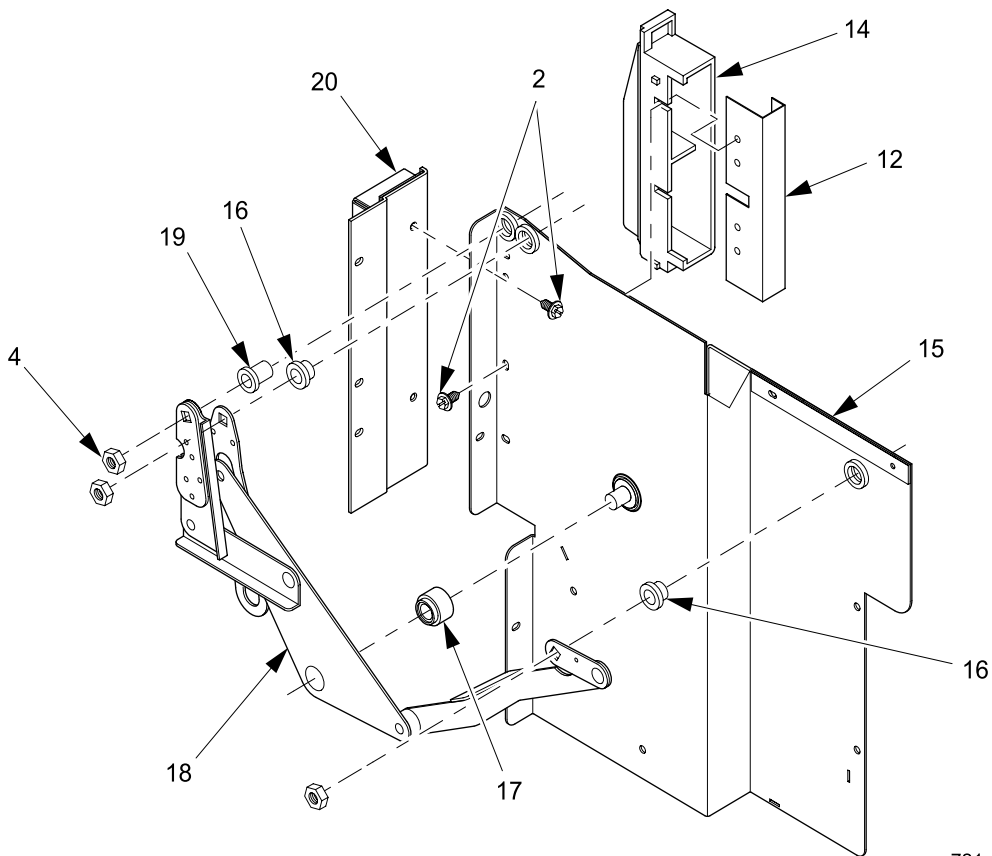
TABLE 12. DELIVERY PAN ASSEMBLY

INDEX	PART NUMBER	DESCRIPTION	QTY
	7212053	OUTDOOR DELIVERY PAN ASSEMBLY - 38"	1
1	1572449	STRIP - THREADED - 38"	2
2	1572448	GUARD - DELIVERY DOOR - UPPER - 38"	1
3	1572315	SPACER - DELIVERY DOOR	2
4	1572447	CHANNEL ASSEMBLY - 38" - DELIVERY DOOR	1
5	1572053	DOOR - DELIVERY - 38"	1
6	7211273	FILLER - FRONT - 38"	1
7	1572289	BACK - DELIVERY DOOR - 38"	1
8	4721035	SCREW-#8-18 X .38-LGM	12
9	4245186	SCREW-#8 32 X 1/4 PHS-T/F	9
10	4112088	GASKET - FOAM (CUT INTO 4 EQUAL - SIZE PIECES)	1
11	1672037	DOOR ASSEMBLY - PILFERAGE - 38"	1
12	7212151	WELD ASSEMBLY - REAR DOOR 38"	1
13	7212069	SIDE PLATE ASSEMBLY-RH	1
14	7212054	WELD ASSY-DEL PAN ASSY 38"	1
15	7212210	SIDE PLATE ASSEMBLY-L.H.	1
16	4721035	SCREW-#8-18 X .38-LGM	12
17	9900184	NUT 1/4-20 SELF-LOCKING	6
18	1572450	SCREW-#8-32 X 9/16 P/H PHIL.	4
19	1412058	TAPE VINYL FOAM	3

Model 721 Parts Manual



7212069 SIDE PLATE ASSEMBLY-R.H.



7212210 SIDE PLATE ASSEMBLY-L.H.

721p0054

Figure 13. Delivery Pan Side Plates

Model 721 Parts Manual

TABLE 13. DELIVERY PAN SIDE PLATES

INDEX	PART NUMBER	DESCRIPTION	QTY
1	1572452	SLEEVE-PILFER DOOR-L.H.	1
2	4721035	SCREW-#8-18 X .38-LGM	12
3	1572353	ARM ASSEMBLY-SPRING ASSIST	1
4	9900184	NUT 1/4-20 SELF-LOCKING	6
5	1572423	ACTUATOR ASSY.-SPRING ASSIST	1
6	9900437	RETAINING RING REINF E TYP.375	2
7	1572317	COLLAR-SPRING ASSIST ARM	1
8	1572420	SPRING	1
9	9900081	NUT #8-32 KEPS ZINC PLATE	6
10	1572421	ANCHOR-SPRING	1
11	7212069	SIDE PLATE ASSEMBLY-RH	1
12	1672084	CHANNEL-FILLER MOUNT	2
13	1572229	FILLER-LEFT HAND	1
14	1572230	FILLER-RIGHT HAND	1
15	7212210	SIDE PLATE ASSEMBLY-L.H	1
16	1572417	SLEEVE-PILFER & REAR DR.-R.H	2
17	1572316	COLLAR-INTERMEDIATE ARM	1
18	7212060	OUTDOOR LINKAGE ASSY-RH	1
19	7212038	TRIM FILLER SUPPORT ASSEMBLY	1

Model 721 Parts Manual

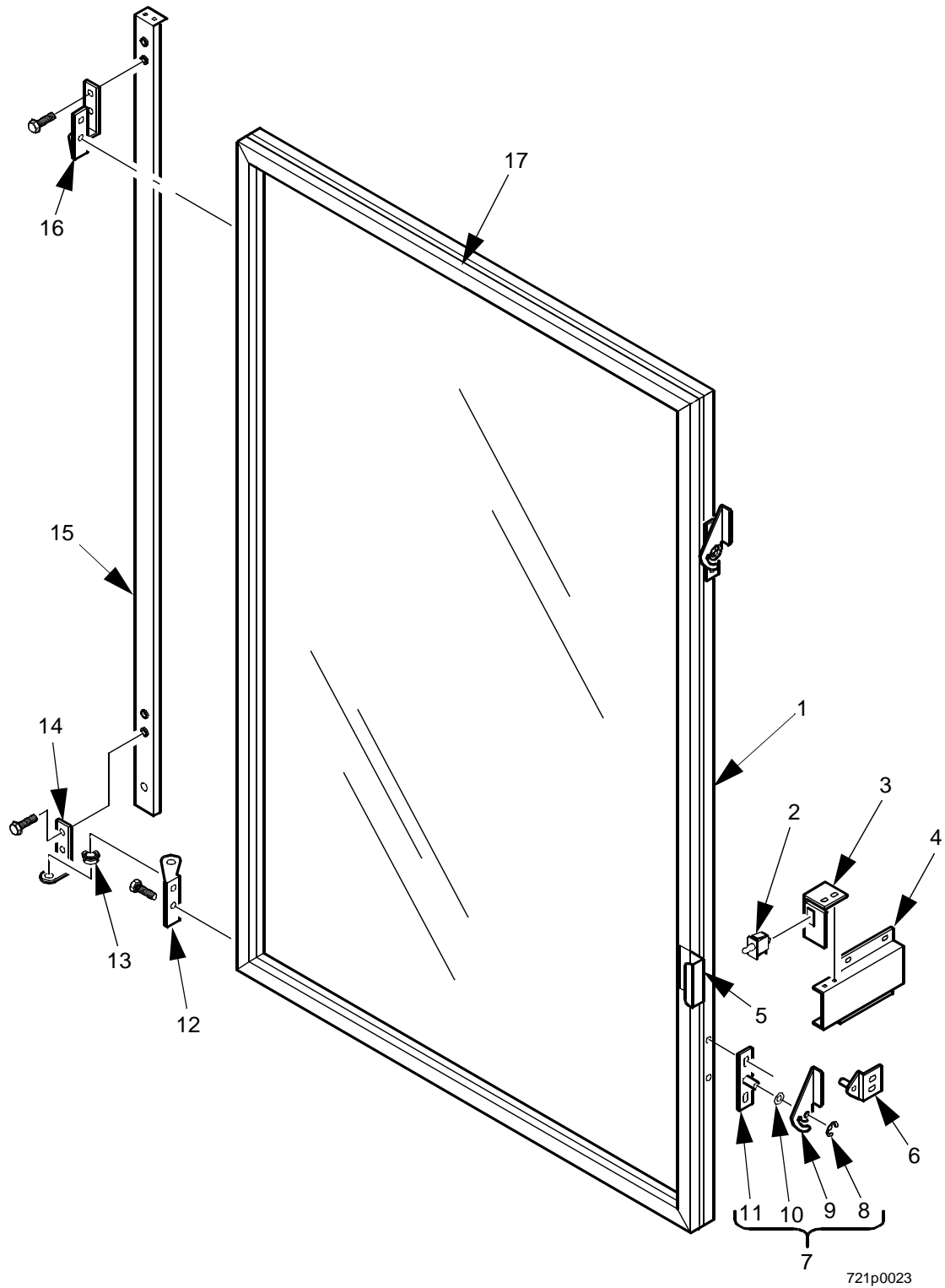


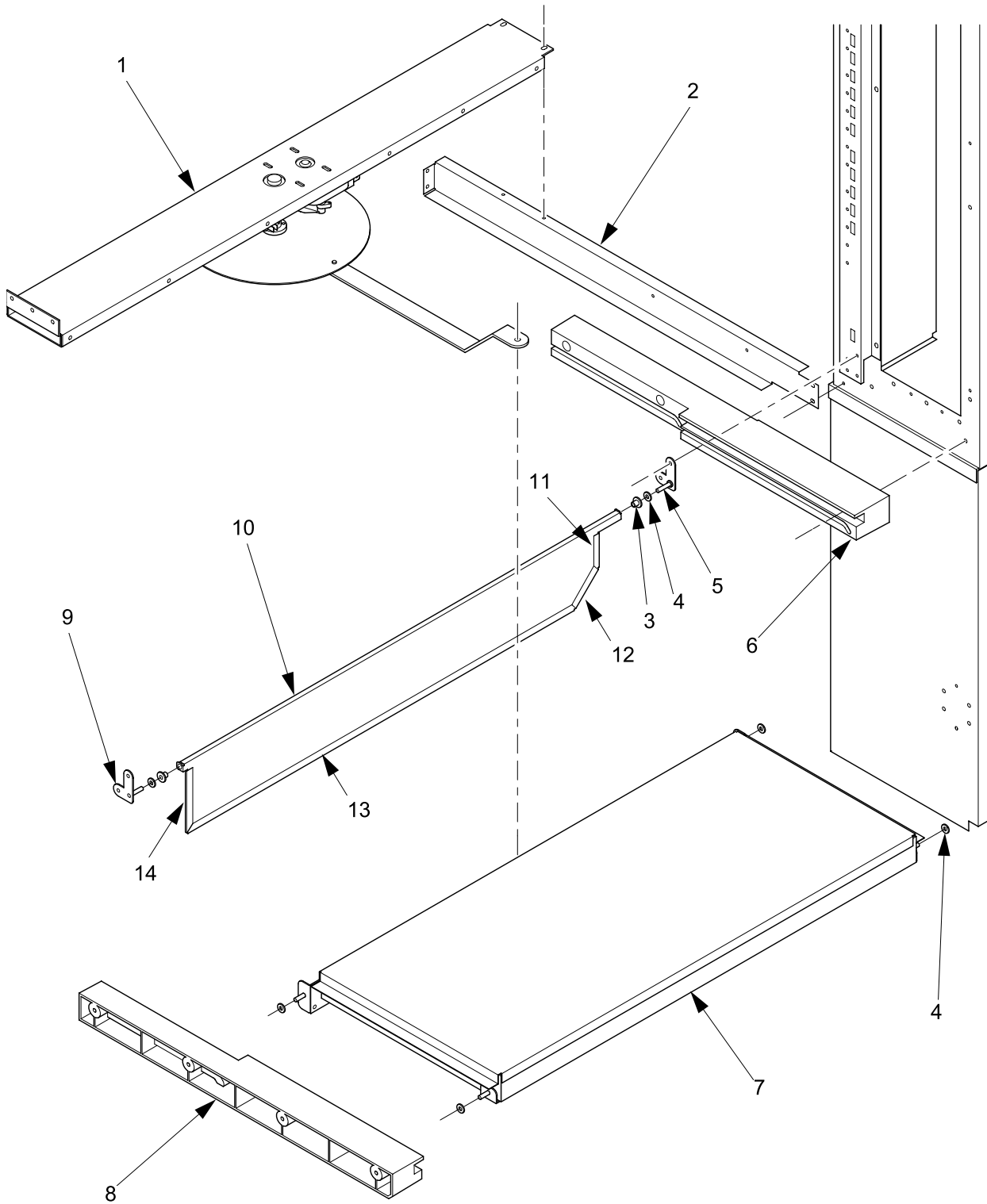
Figure 14. Inner Door Assembly

Model 721 Parts Manual

TABLE 14. INNER DOOR ASSEMBLY

INDEX	PART NUMBER	DESCRIPTION	QTY
	7212036	INNER DOOR ASSEMBLY	1
1	7212037	FRAME ASSEMBLY - INNER DOOR	1
2	1401110	SWITCH	1
3	7211260	BRACKET,SWITCH - INNER DOOR	1
4	7211259	CHANNEL,MTG. - SWITCH	1
5	7212047	HANDLE - INNER DOOR	1
6	7212044	RETAINER PLATE ASSEMBLY	2
7	7212071	LATCH PLATE & LEVER ASSEMBLY	1
8	9900425	RETAINING RING REINF E TYP.250	2
9	4976055	LEVER - LATCH	2
10	5220113	SPRING WASHER .500 X.254 X.006	4
11	7212041	LATCH PLATE ASSEMBLY - PAINTED	2
12	7212051	HINGE BRACKET ASSEMBLY - LOWER	1
13	7212035	BUSHING - HINGE - INNER DOOR	1
14	7212072	BRACKET,HINGE - POST PAINTED	1
15	7211254	POST - HINGE - INNER DOOR	1
16	7212048	TOP HINGE ASSEMBLY - INNER DOOR	1
17	7212031	GASKET - INNER DOOR	1

Model 721 Parts Manual



721p0024

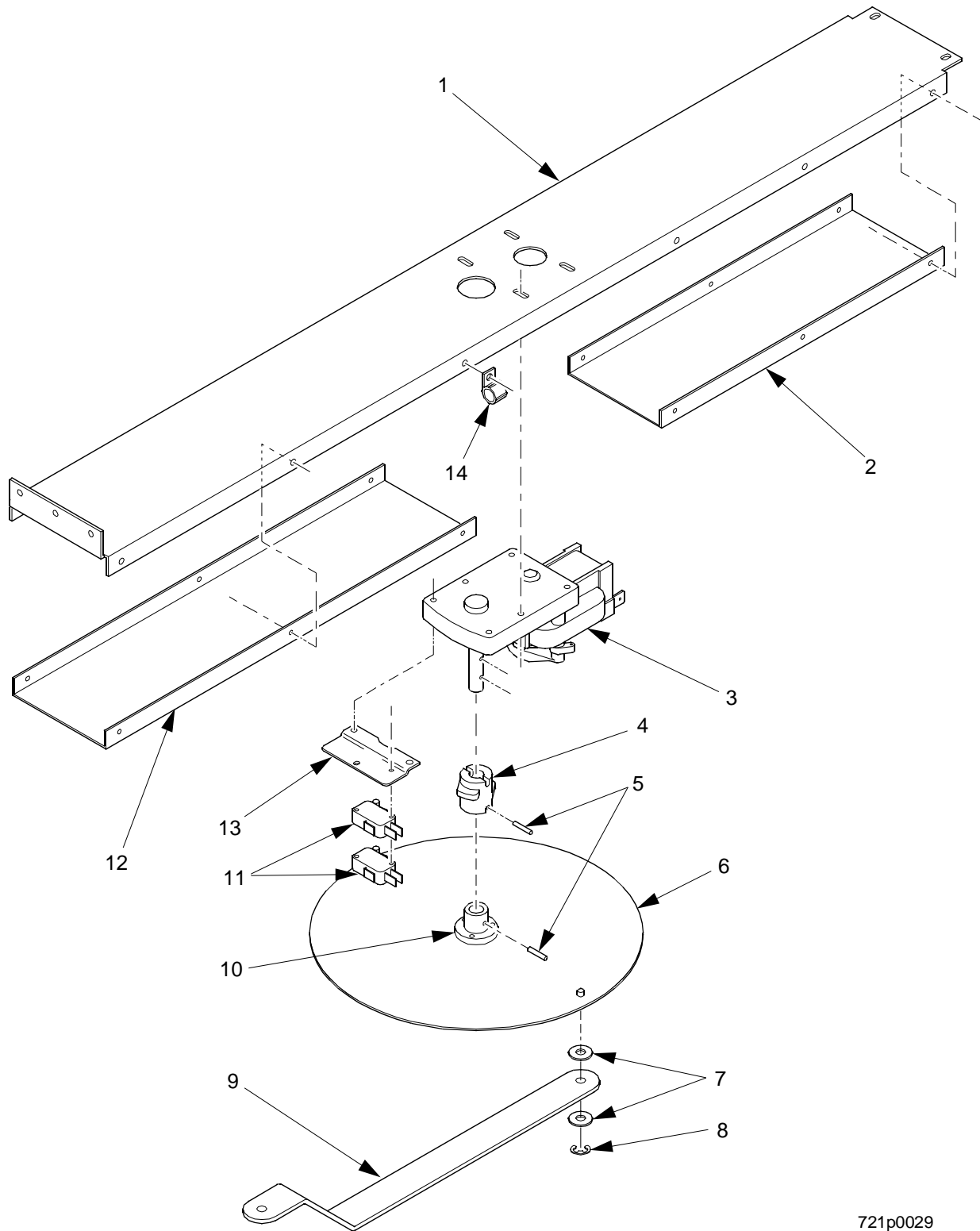
Figure 15. Retractable Door Assembly

Model 721 Parts Manual

TABLE 15. RETRACTABLE DOOR ASSEMBLY

INDEX	PART NUMBER	DESCRIPTION	QTY
1	7211176	DRIVE MECH ASSEMBLY - RETRACTABLE DOOR - 115 V (SEE FIGURE 16)	1
	7211350	DRIVE MECH ASSEMBLY - RETRACTABLE DOOR - 230 V (SEE FIGURE 16)	
2	7211224	BRACE - RETRACT.DR RIGHT TRACK	1
3	7211261	BUSHING - RETRACTABLE DOOR FLAP	2
4	7211244	WASHER - NYLON	10
5	7211270	RETR DR FLAP MTG.BRKT ASSEMBLY - RH	1
6	7211168	TRACK - RETRACTABLE DOOR - RIGHT	1
7	7211122	RETRACTABLE DOOR ASSEMBLY	1
8	7211169	TRACK - RETRACTABLE DOOR - LEFT	1
9	7211271	RETR.DR.FLAP MTG BRKT ASSEMBLY - LH	1
10	7211263	RETRACTABLE DOOR FLAP ASSEMBLY	1
11	7211265	EDGING - RETRACTABLE DOOR FLAP RIGHT	1
12	7211266	EDGING - RETRACTABLE DOOR FLAP BOTTOM RIGHT	1
13	7211267	EDGING - RETRACTABLE DOOR FLAP BOTTOM	1
14	7211268	EDGING - RETRACTABLE DOOR FLAP LEFT	1

Model 721 Parts Manual



721p0029

Figure 16. Retractable Door Drive Mechanism Assembly

Model 721 Parts Manual

TABLE 16. RETRACTABLE DOOR DRIVE MECHANISM ASSEMBLY

INDEX	PART NUMBER	DESCRIPTION	QTY
-	7211176	DRIVE MECH ASSEMBLY - RETRACTABLE DOOR - 115 V	1
	7211350	DRIVE MECH ASSEMBLY - RETRACTABLE DOOR - 230 V	
1	7211177	BRACKET - MOTOR MOUNTING	1
2	7211178	CHANNEL - RIGHT MOTOR MTG BRKT	1
3	7211175	MOTOR - RETRACTABLE DOOR - 115 V	1
	7211137	MOTOR - RETRACTABLE DOOR - 230 V	
4	4407080	COUPLING - MOTOR & DRIVE SHAFT	1
5	3127034	ROLL PIN 1/8 X 13/16	2
6	7211181	DRIVE DISC & STUD ASSEMBLY	1
7	6131066	WASHER 5/8X.265X.048 ZINC/YEL	2
8	9900425	RETAINING RING REINF E TYP.250	1
9	7211184	DRIVE ARM - RETRACTABLE DOOR	1
10	7211180	BUSHING - DRIVE DISC	1
11	9984634	SWITCH ROLLER LEVER	2
12	7211179	CHANNEL - LEFT MOTOR MTG BRACKET	1
13	7211183	PLATE - RETRACTABLE DOOR SWITCH	1
14	4751060	RETAINER - HARNESS	4

Model 721 Parts Manual

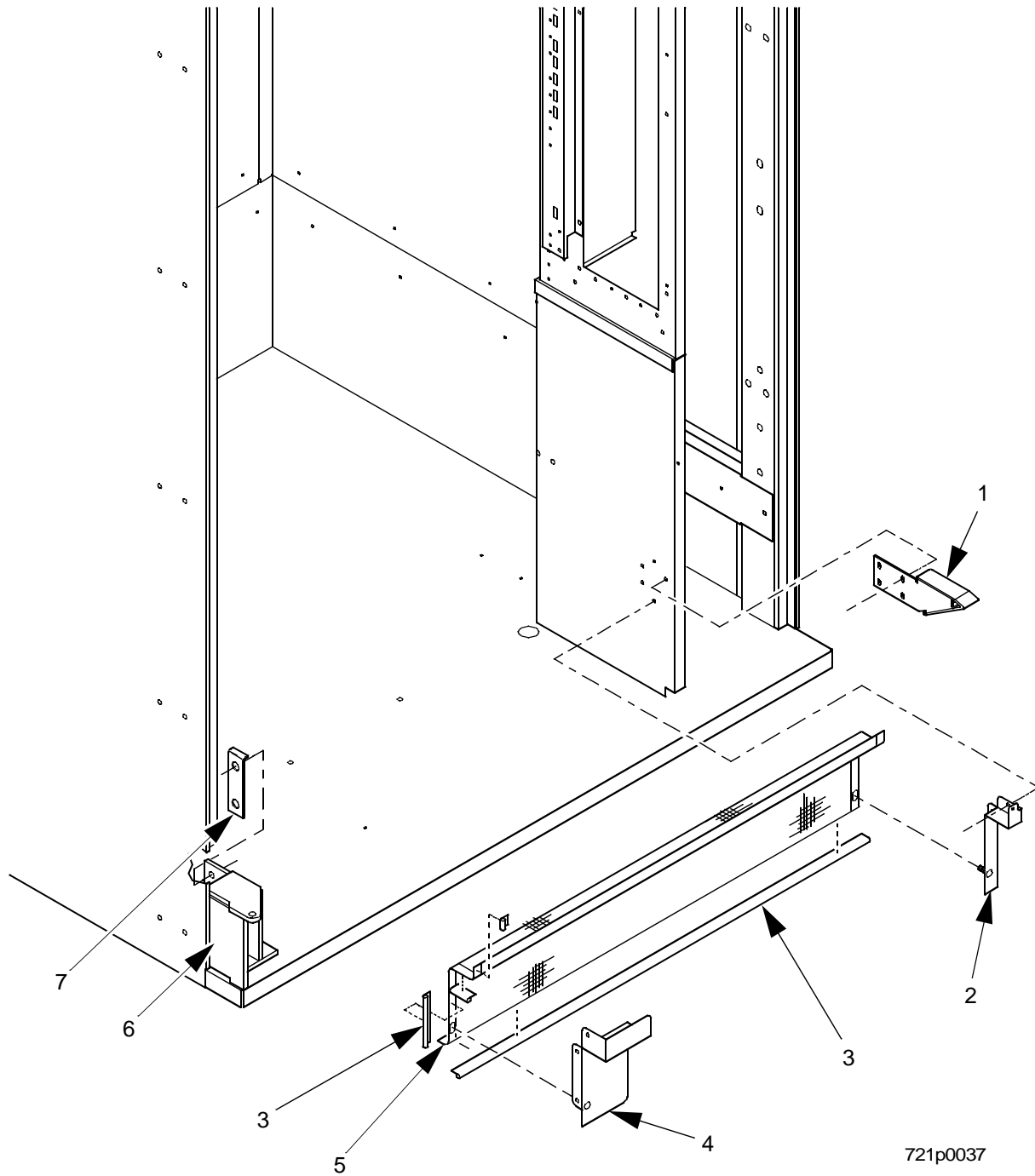


Figure 17. Front Screen and Lower Front Cabinet Components

Model 721 Parts Manual

TABLE 17. FRONT SCREEN AND LOWER FRONT CABINET COMPONENTS

INDEX	PART NUMBER	DESCRIPTION	QTY
1	7211237	DOOR STRIKER ASSEMBLY	1
2	7211256	BRKT - RH - BUG SCREEN W/STUD	1
3	4273119	GASK"P"SILICONE W/ADHSIVE BACK	43 IN
4	7211255	BRKT - LH - BUG SCREEN W/STUD	1
5	7211147	SCREEN ASSEMBLY - FRONT - FOLDED	1
6	7211203	WELD ASSEMBLY - LOWER HINGE MTG. - BLACK	1
	7211299	WELD ASSEMBLY - BLUE - LOWER HINGE MTG	
	7211298	WELD ASSEMBLY - RED LOWER HINGE MTG	
7	7211253	SHIM - LOWER HINGE MOUNTING	1

Model 721 Parts Manual

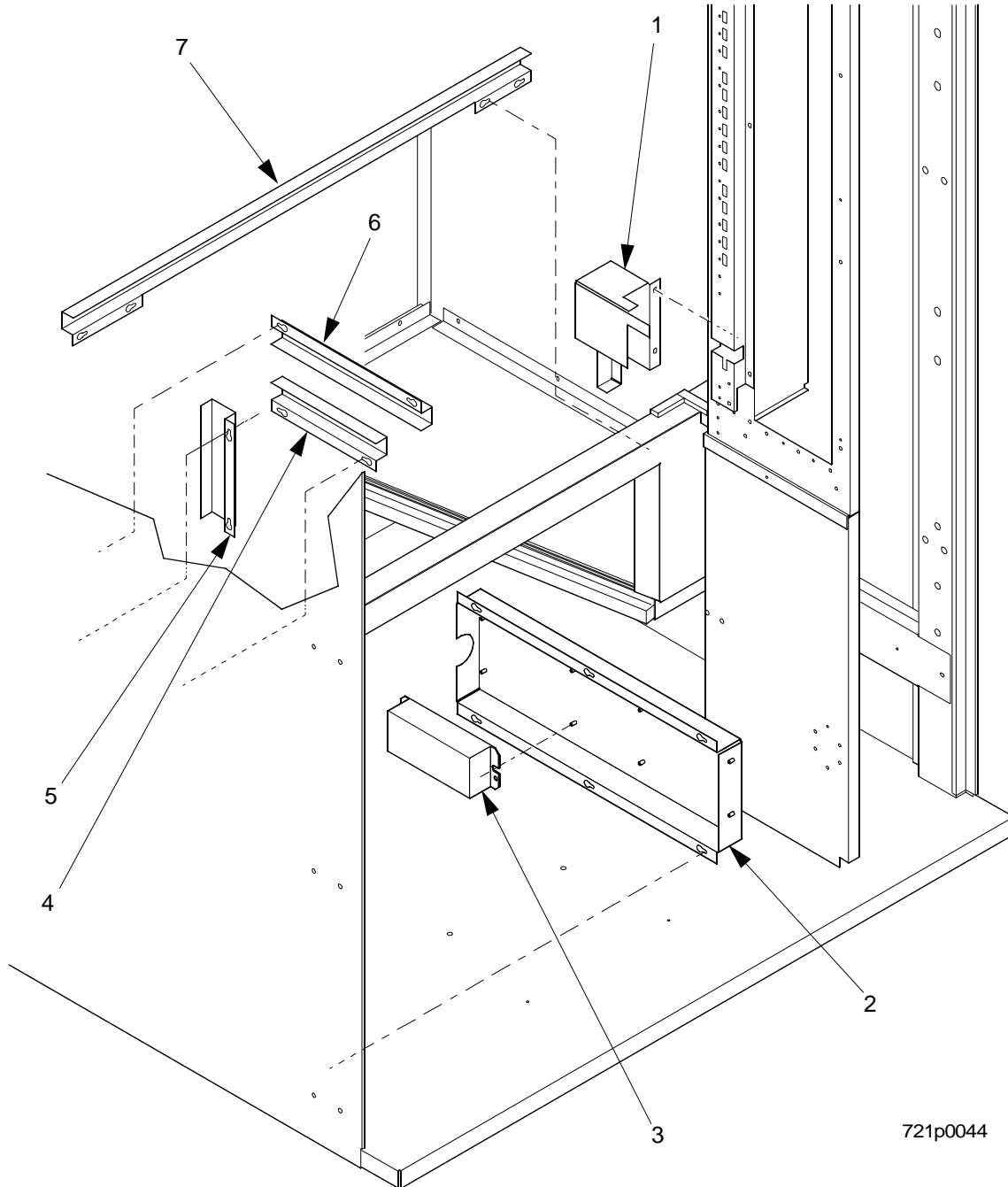


Figure 18. Fluorescent Light Ballast and Lamp Harness Covers

Model 721 Parts Manual

TABLE 18. FLUORESCENT LIGHT BALLAST AND LAMP HARNESS COVERS

INDEX	PART NUMBER	DESCRIPTION	QTY
1	7211346	CHANNEL - CORNER HARNESS - BALLAST	1
2	7211335	BRACKET - BALLAST MOUNTING	1
3	4241135	BALLAST ASSEMBLY - CENTER LIGHT - 115 V	4
	4252187	BALLAST ASSEMBLY - 30W - 230V	
4	7211337	CHANNEL, HARNESS - HORIZ. LEFT, LOWER	1
5	7211338	CHANNEL, HARNESS - BALLAST, VERT.	1
6	7211339	CHANNEL, HARNESS - HORIZ. LEFT, UPPER	1
7	7211340	CHANNEL, HARNESS - HORIZ. FRONT	1

Model 721 Parts Manual

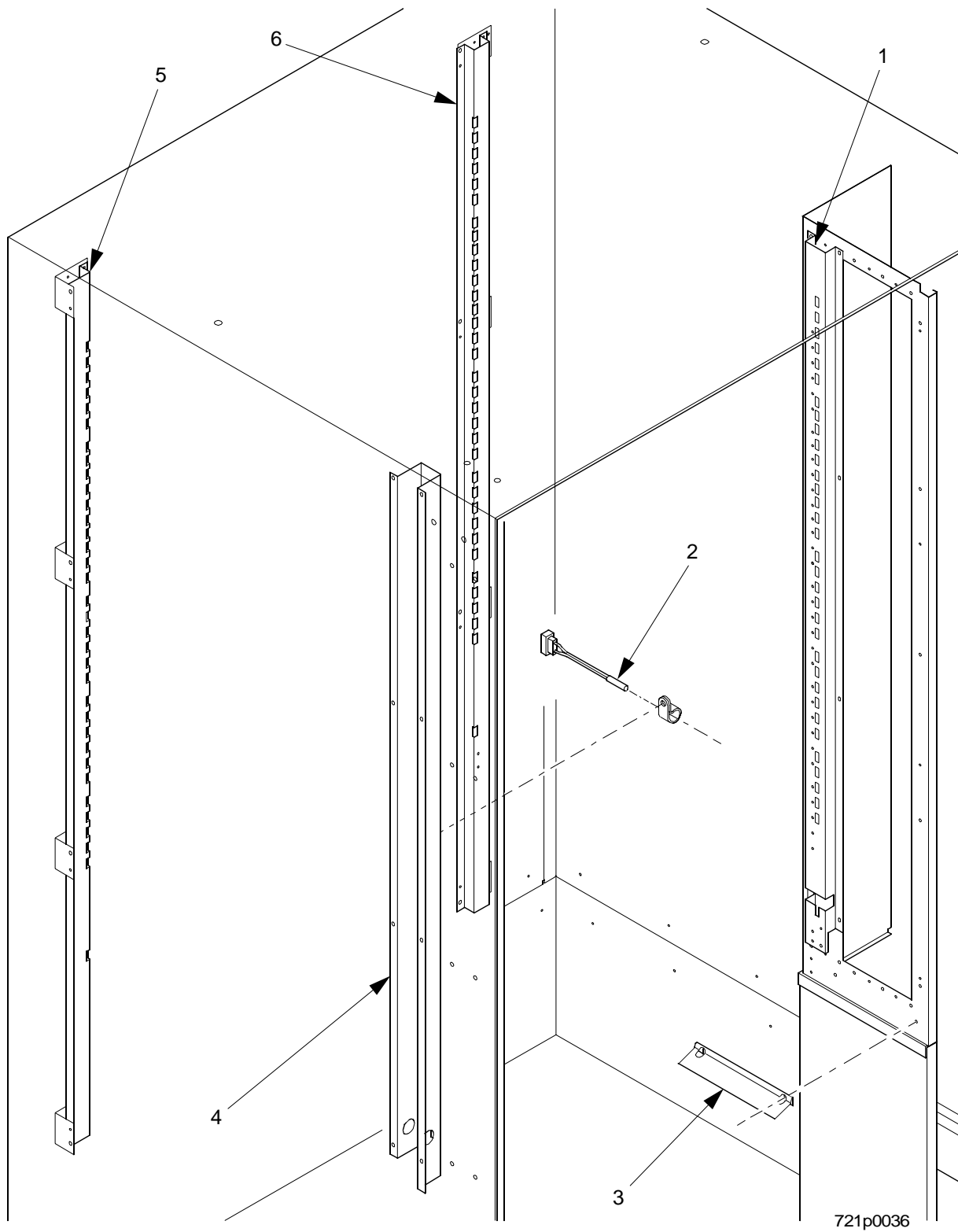


Figure 19. Tray Rail Mounting Channels, Product Deflector and Temp Sensor Probe

Model 721 Parts Manual

TABLE 19. TRAY RAIL MOUNTING CHANNELS, PRODUCT DEFLECTOR AND TEMP SENSOR PROBE

INDEX	PART NUMBER	DESCRIPTION	QTY
1	7211349	CHANNEL - RIGHT FRONT RAIL MNTNG	1
2	9987852	PROBE - TEMP.SENSOR	1
3	7211274	DEFLECTOR - PRODUCT	1
4	7211348	CHANNEL - LEFT FRONT - RAIL MTNG	1
5	7211241	CHANNEL - LEFT REAR RAIL MOUNTNG	1
6	7211242	CHANNEL - RIGHT REAR RAIL MTNG	1

Model 721 Parts Manual

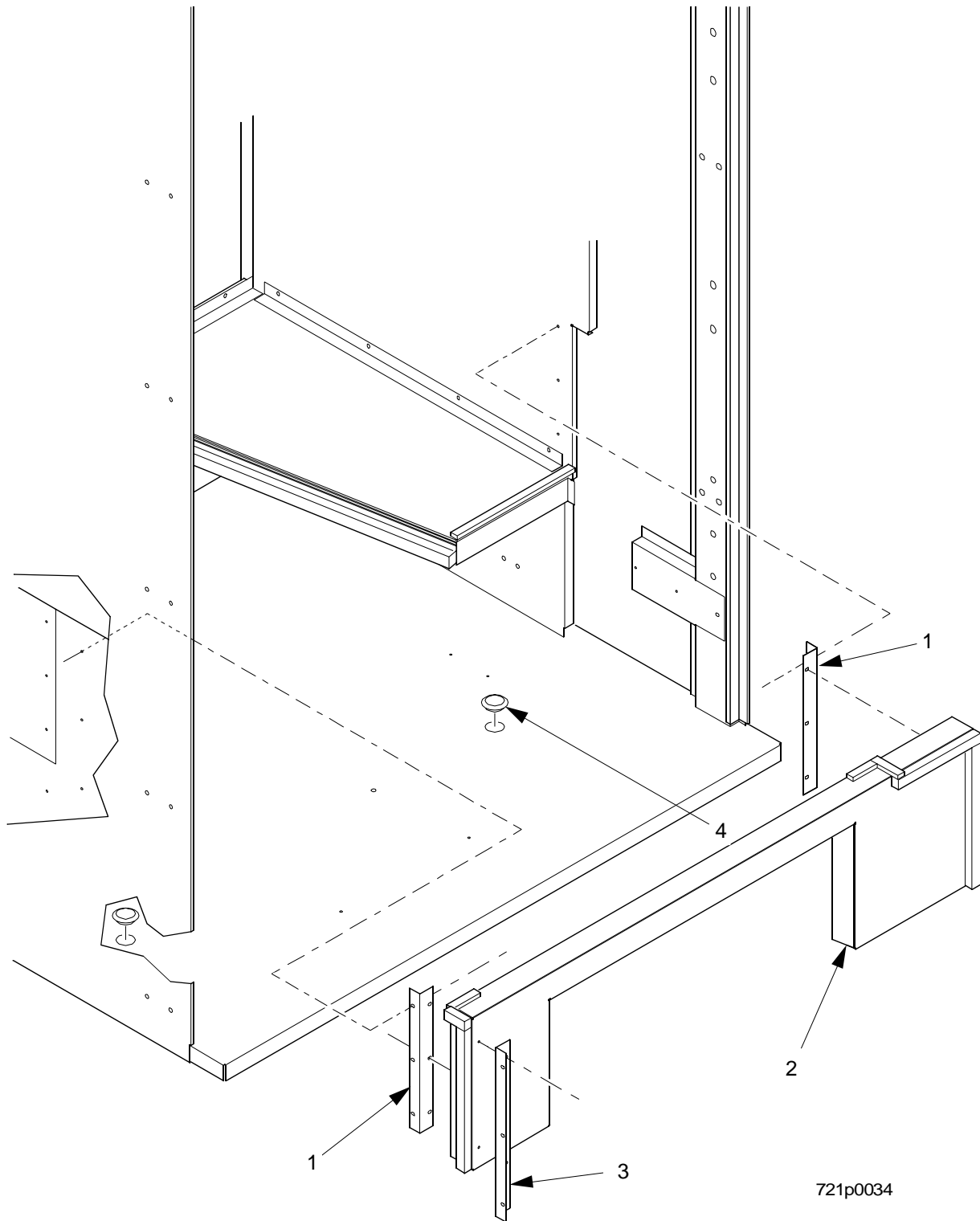


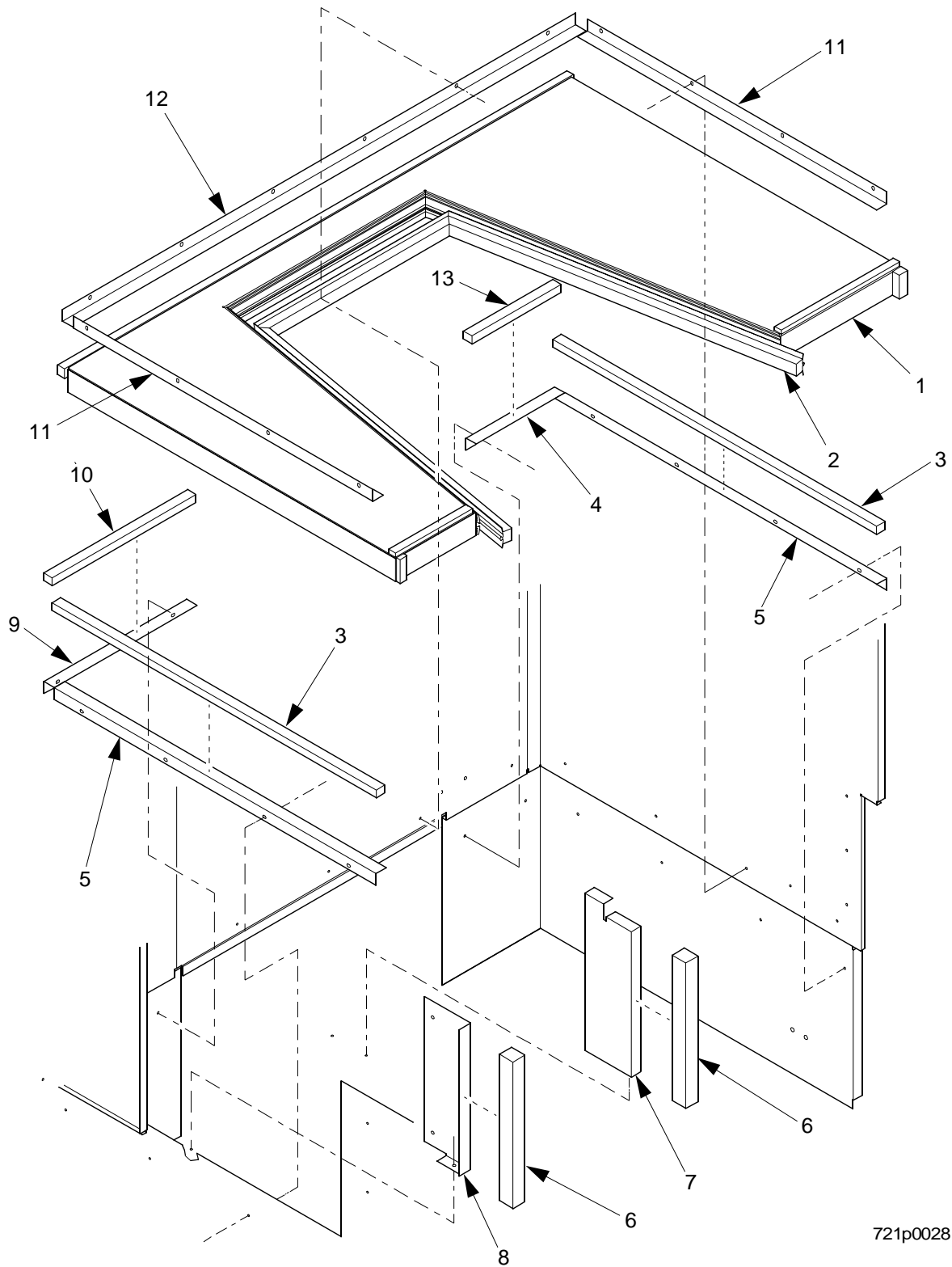
Figure 20. Vertical Foamed Wall Components

Model 721 Parts Manual

TABLE 20. VERTICAL FOAMED WALL COMPONENTS

INDEX	PART NUMBER	DESCRIPTION	QTY
1	7211216	BRKT - L/R BCK FOMD VERT WL MTG	2
2	7211136	VERTICAL WALL ASSEMBLY	1
3	7211215	BRKT - LFT FRNT FOMD VERT WAL MT	1
4	6231034	PLUG - HOLE	2

Model 721 Parts Manual



721p0028

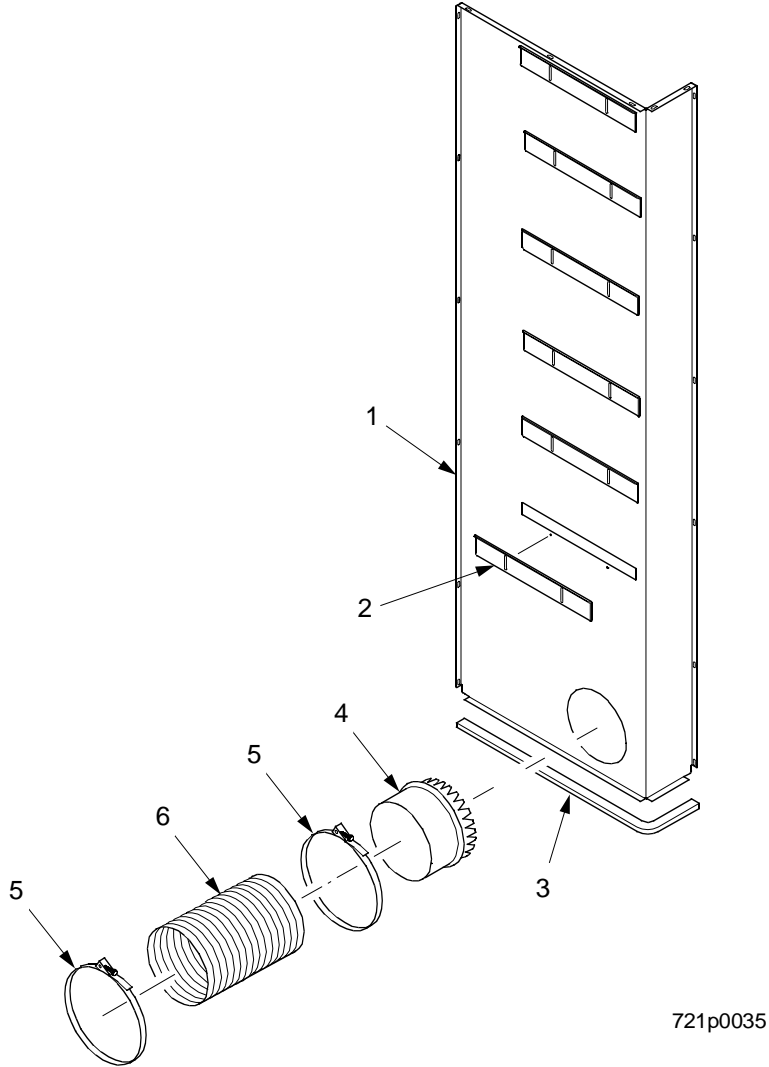
Figure 21. Horizontal Foamed Wall Components

Model 721 Parts Manual

TABLE 21. HORIZONTAL FOAMED WALL COMPONENTS

INDEX	PART NUMBER	DESCRIPTION	QTY
1	7211135	HORIZONTAL WALL ASSEMBLY	1
2	7211166	SEAL - REFRIGERATION MODULE	1
3	7211250	SEAL - BOT LFT/RT FMD HOR WALL M	2
4	7211221	BKT - BOT.RT RR FOMD HOR WAL MTG	1
5	7211219	BKT - BOT.L/R FOMD HOR WALL MTG.	2
6	4614027	SEAL - 1.00 X .87 (CUT INTO TWO PIECES)	1
7	7211158	SEAL - RIGHT REAR - REFRIGERATION	1
8	7211159	SEAL - LEFT REAR - REFRIGERATION	1
9	7211220	BKT - BOT.LT/RR FOMD HOR WAL MTG	1
10	7211251	SEAL - BOT LFT REAR FMD HOR WALL	1
11	7211217	BRKT - L/R FOMD HOR.WAL MNTG	2
12	7211218	BRKT - TOP RR FOMD HOR WALL MTG	1
13	7211252	SEAL - BOT RT REAR FMD HOR WALL	1

Model 721 Parts Manual



721p0035

Figure 22. Air Distribution Column Components

Model 721 Parts Manual

TABLE 22. AIR DISTRIBUTION COLUMN COMPONENTS

INDEX	PART NUMBER	DESCRIPTION	QTY
1	7211161	PANEL - AIR SUPPLY	1
2	7211162	SHUTTER - AIR DUCT	6
3	4311211	GASKET - FOAM - 1/8 X 1/2	20.75 IN
4	7211163	COLLAR - STARTER - 6	"1
5	7214046	CLAMP - 6" STAINLESS STEEL	2
6	7211164	HOSE - DUCT	1

Model 721 Parts Manual

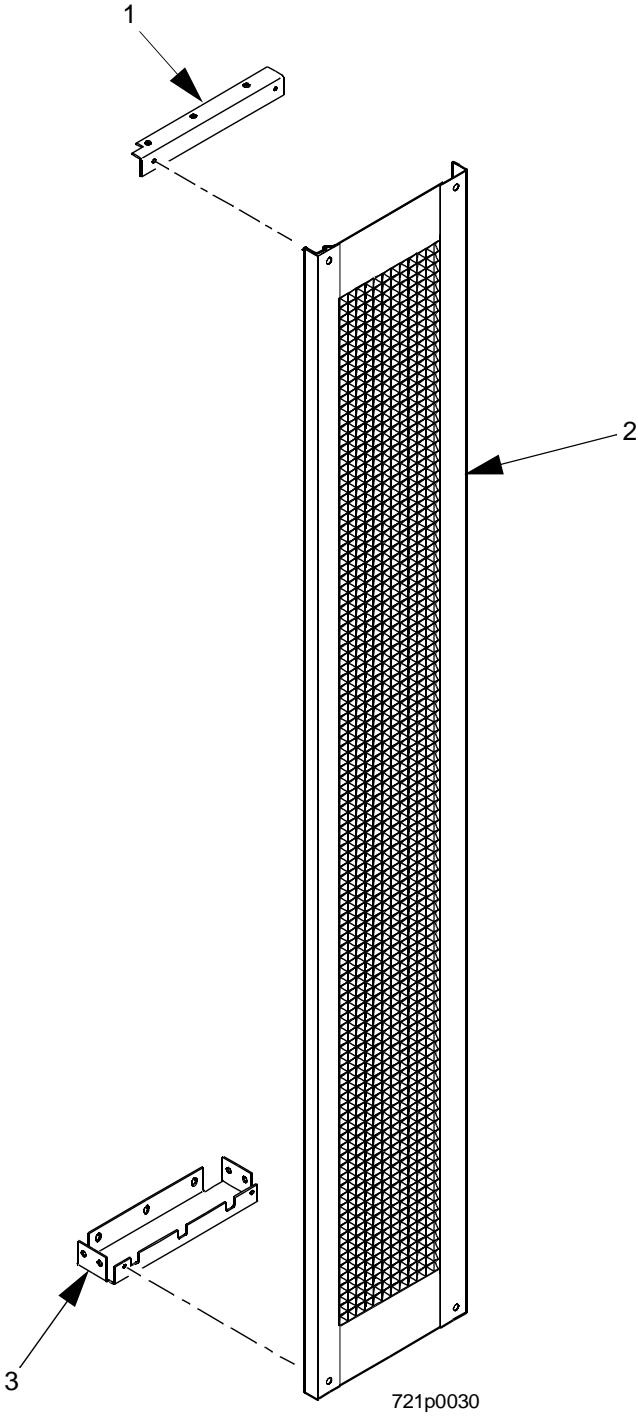


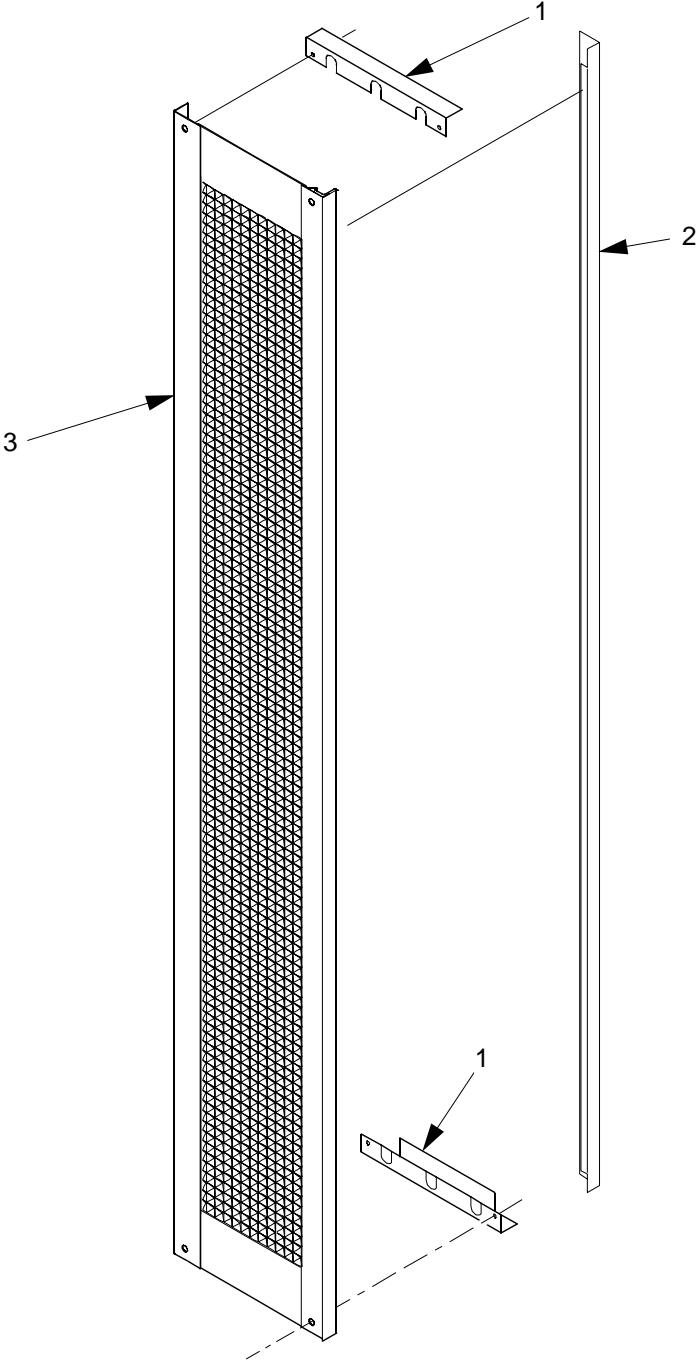
Figure 23. Left Side Light Assembly Installation

Model 721 Parts Manual

TABLE 23. LEFT SIDE LIGHT ASSEMBLY INSTALLATION

INDEX	PART NUMBER	DESCRIPTION	QTY
1	7211258	ANGLE, TOP - LIGHTS	1
2	7211365	LIGHT & DIFFUSER ASSEMBLY (LEFT) (SEE FIGURE 25)	1
3	7211257	PAN, BOTTOM - LIGHTS	1

Model 721 Parts Manual



721p0031

Figure 24. Right Side Light Assembly Installation

Model 721 Parts Manual

TABLE 24. RIGHT SIDE LIGHT ASSEMBLY INSTALLATION

INDEX	PART NUMBER	DESCRIPTION	QTY
1	7211227	BRACKET - RIGHT LIGHT MOUNTING	2
2	7211228	CHANNEL - RIGHT LIGHT FIXTURE	2
3	7211365	LIGHT & DIFFUSER ASSEMBLY (RIGHT) (SEE FIGURE 25)	1

Model 721 Parts Manual

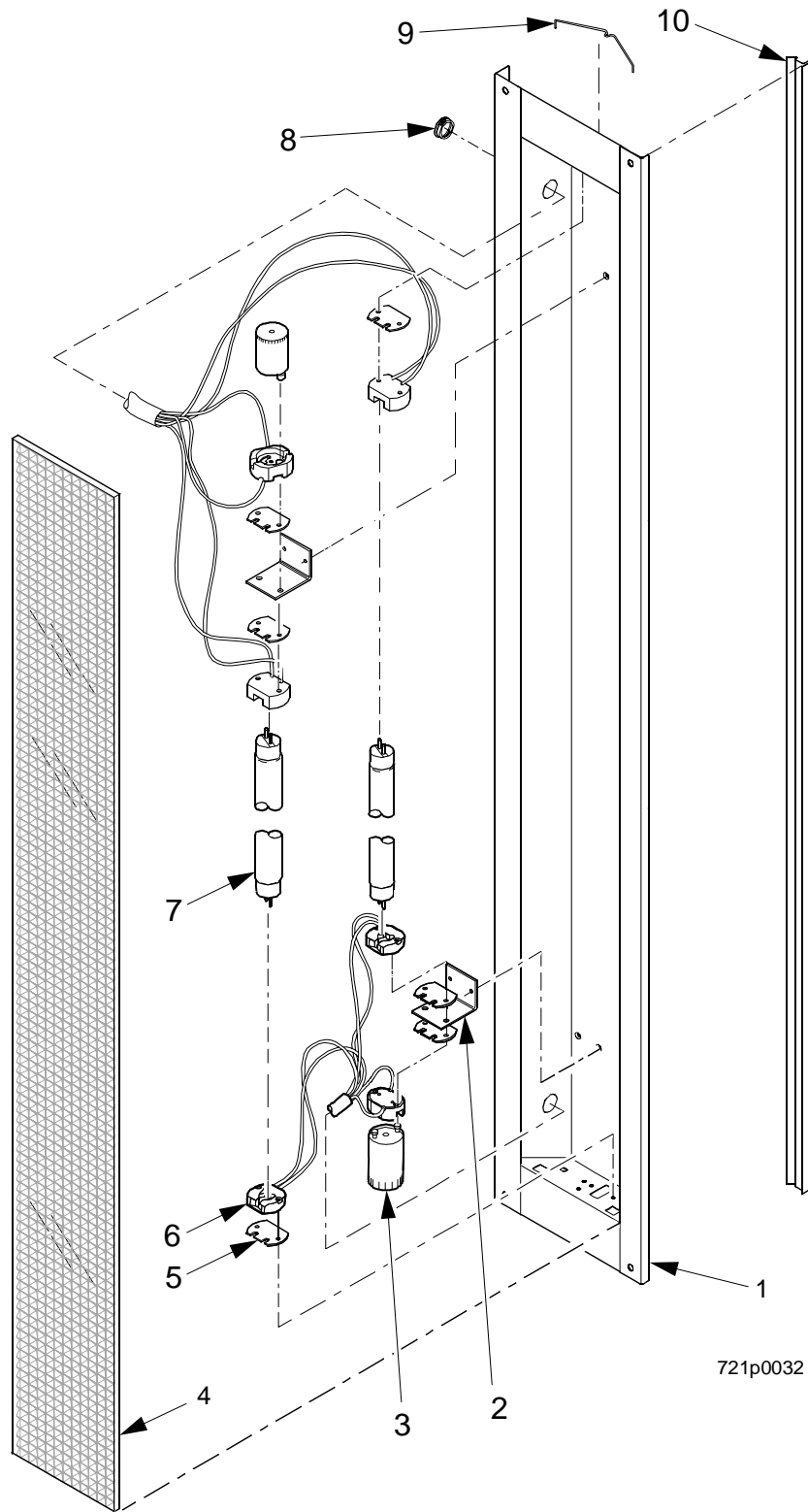


Figure 25. Light Assembly Detail

Model 721 Parts Manual

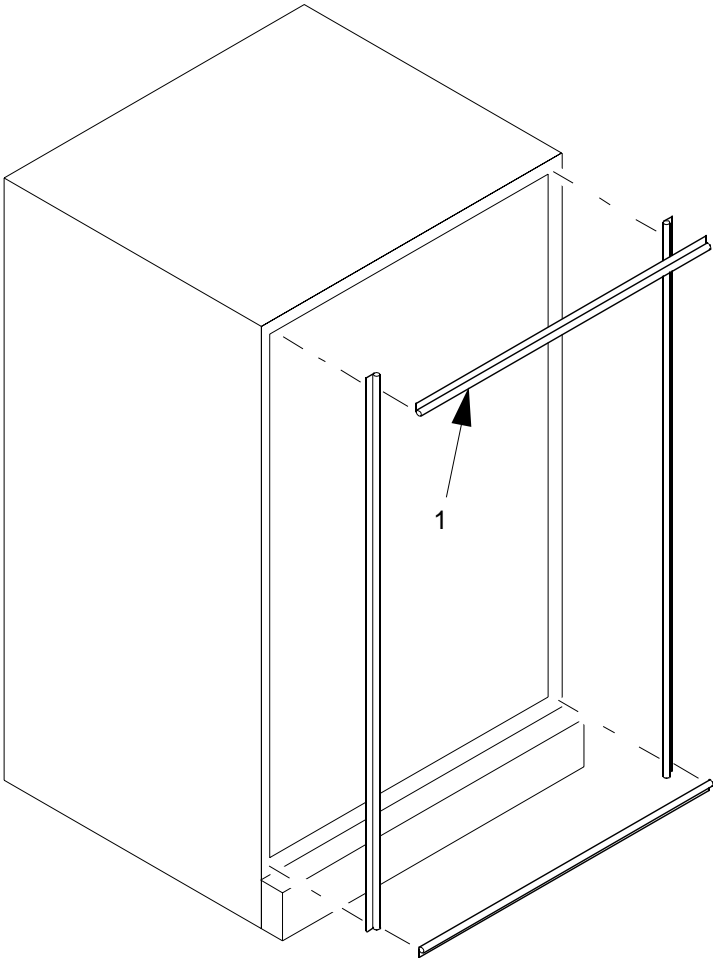
TABLE 25. LIGHT ASSEMBLY DETAIL

INDEX	PART NUMBER	DESCRIPTION	QTY
-	7211347	LIGHT & DIFFUSER ASSEMBLY	2
1	7211186	WELD ASSEMBLY - LIGHT FIXTURE	1
2	7211191	BRACKET - MOUNTING - LIGHT	2
3	4031150	FLUORESCENT LAMP STARTER FS-4	2
4	7211192	DIFFUSER - LIGHT	1
5	4242016	INSULATOR - LIGHT SOCKET	6
6	7219012	SOCKET ASSEMBLY - LIGHT	2
7	4242045	FLUORESCENT LAMP 30W F30T8/CWX	2
8	4273046	BUSHING - 3/4" SPLIT	1
9	4241124	SPRING - LIGHT DIFFUSER	2
10	7211167	THERMAL BREAK - LIGHT ASSEMBLY	1

Model 721 Parts Manual

TABLE 26. OUTER DOOR SEALING GASKETS

INDEX	PART NUMBER	DESCRIPTION	QTY
1	4273119	GASK"P"SILICONE W/ADHSIVE BACK	215 IN



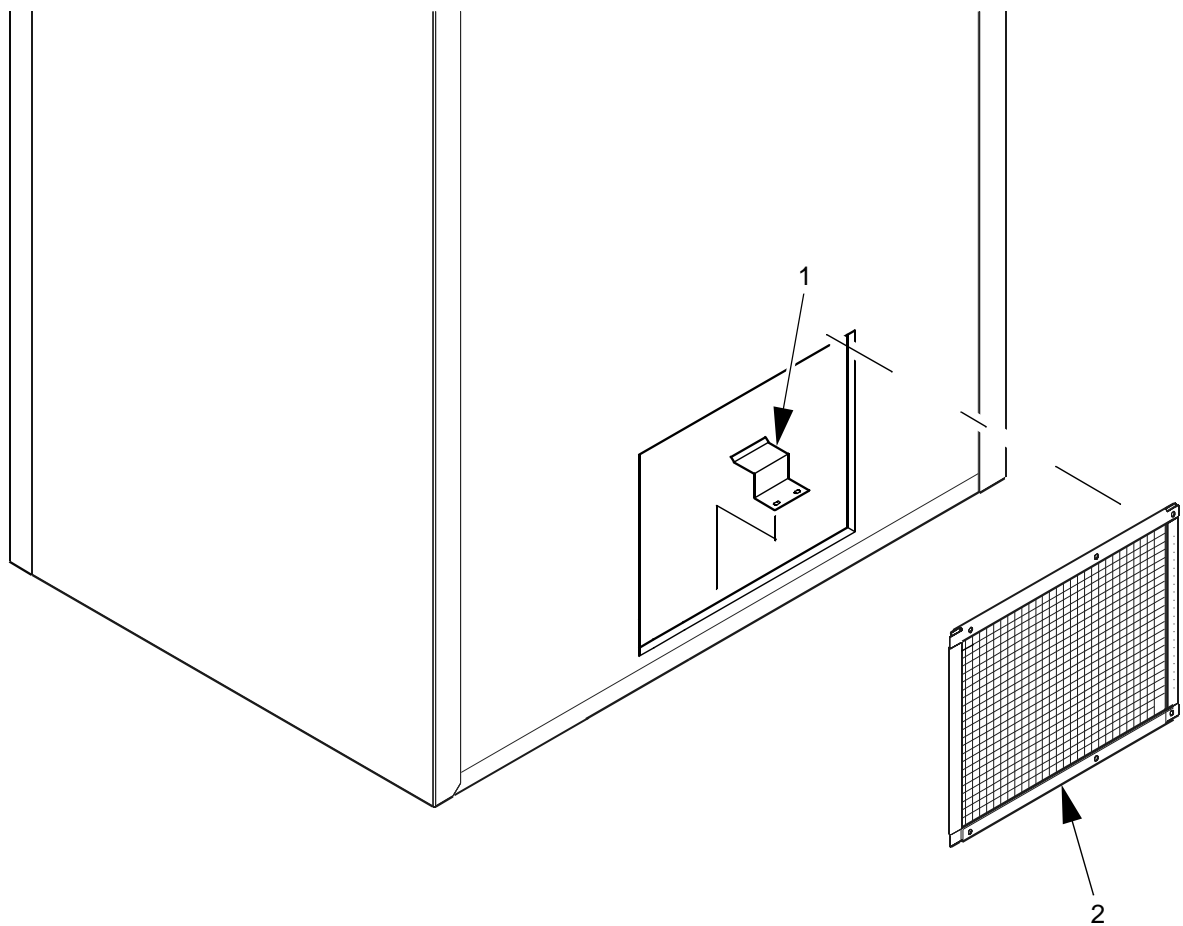
721p0033

Figure 26. Outer Door Sealing Gaskets

Model 721 Parts Manual

TABLE 27. REAR SCREEN AND REFRIGERATION STOP BRACKET

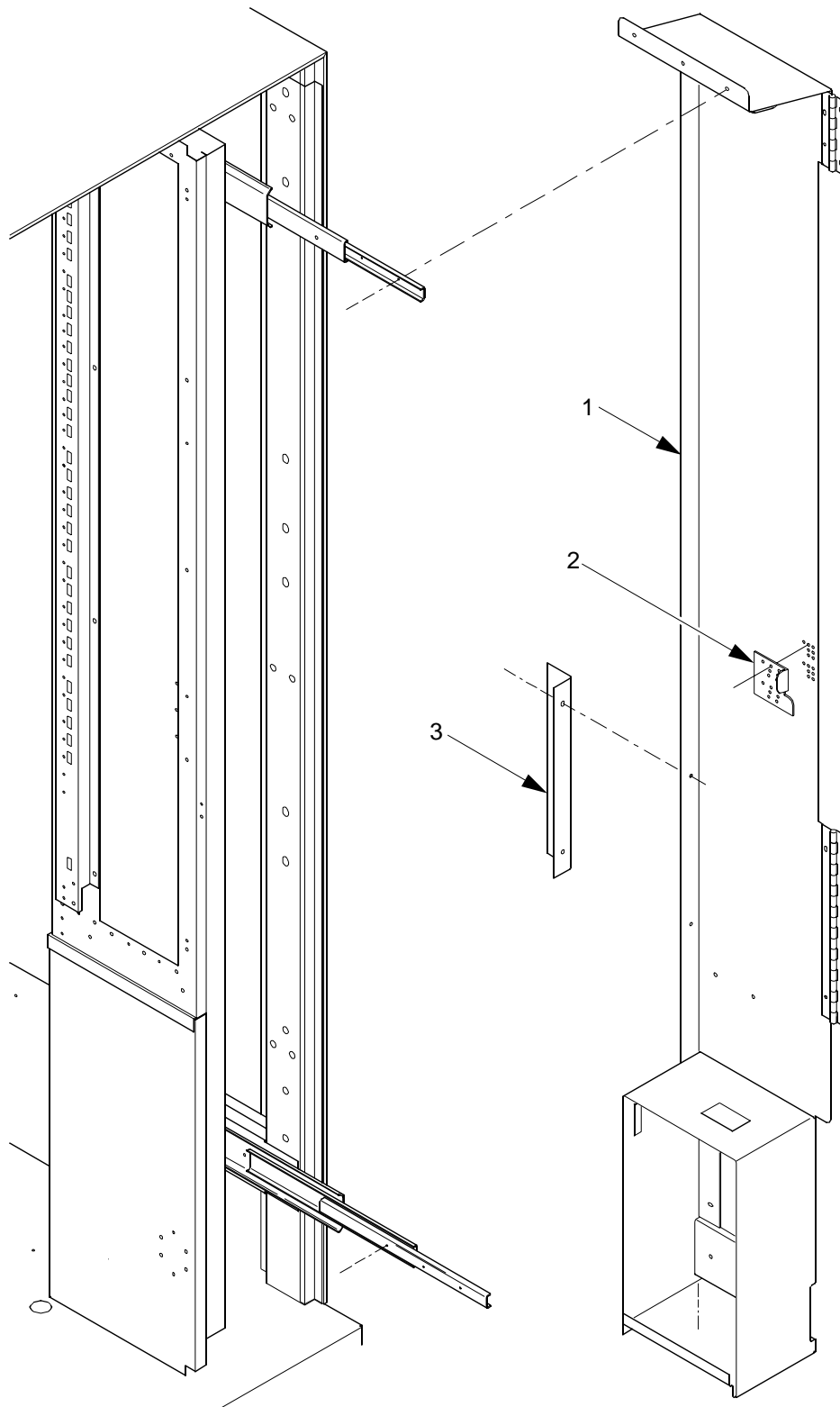
INDEX	PART NUMBER	DESCRIPTION	QTY
1	7211239	BRACKET - UPPER BASE - RETAINING	1
2	7211173	SCREEN ASSEMBLY - REAR	1



721p0016

Figure 27. Rear Screen and Refrigeration Stop Bracket

Model 721 Parts Manual



721p0042

Figure 28. Monetary Panel Weld Assembly

Model 721 Parts Manual

TABLE 28. MONETARY PANEL WELD ASSEMBLY

INDEX	PART NUMBER	DESCRIPTION	QTY
1	7215023	PANL WLD ASSEMBLY - OUTDR MONTRY RT	1
2	7215021	BRKT - OUTDR MON.FRNT PANEL SUPT	1
3	7215017	STOP - OUTDR COIN MECH BRKT ASSEMBLY	1

Model 721 Parts Manual

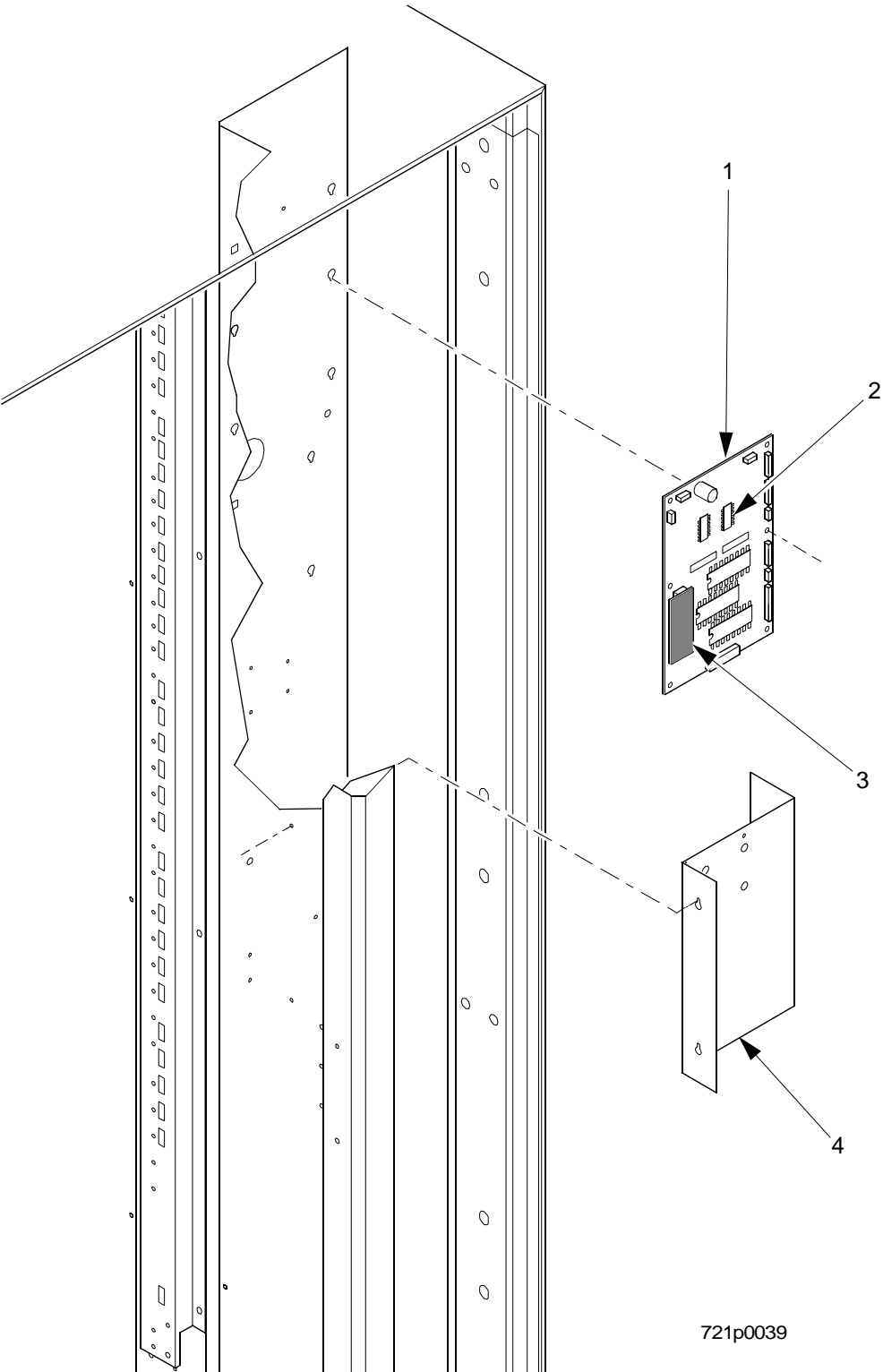


Figure 29. Main Controller, Power Panel and Fluorescent Light Ballast

Model 721 Parts Manual

TABLE 29. MAIN CONTROLLER, POWER PANEL AND FLUORESCENT LIGHT BALLAST

INDEX	PART NUMBER	DESCRIPTION	QTY
1	7216002	PCB ASSEMBLY - MAIN CONTROLLER - ODS	1
2	SEE LABEL	IC ASSEMBLY	1
3	9989687	PCB ASSEMBLY - EXECUTIVE INTERFACE	1
4	7211246	POWER CONTROL PANEL ASSEMBLY - DOM - 120V (SEE FIGURE 31)	1
	7211247	POWER CONTROL PANEL ASSEMBLY - UK - 230 V (SEE FIGURE 32)	

Model 721 Parts Manual

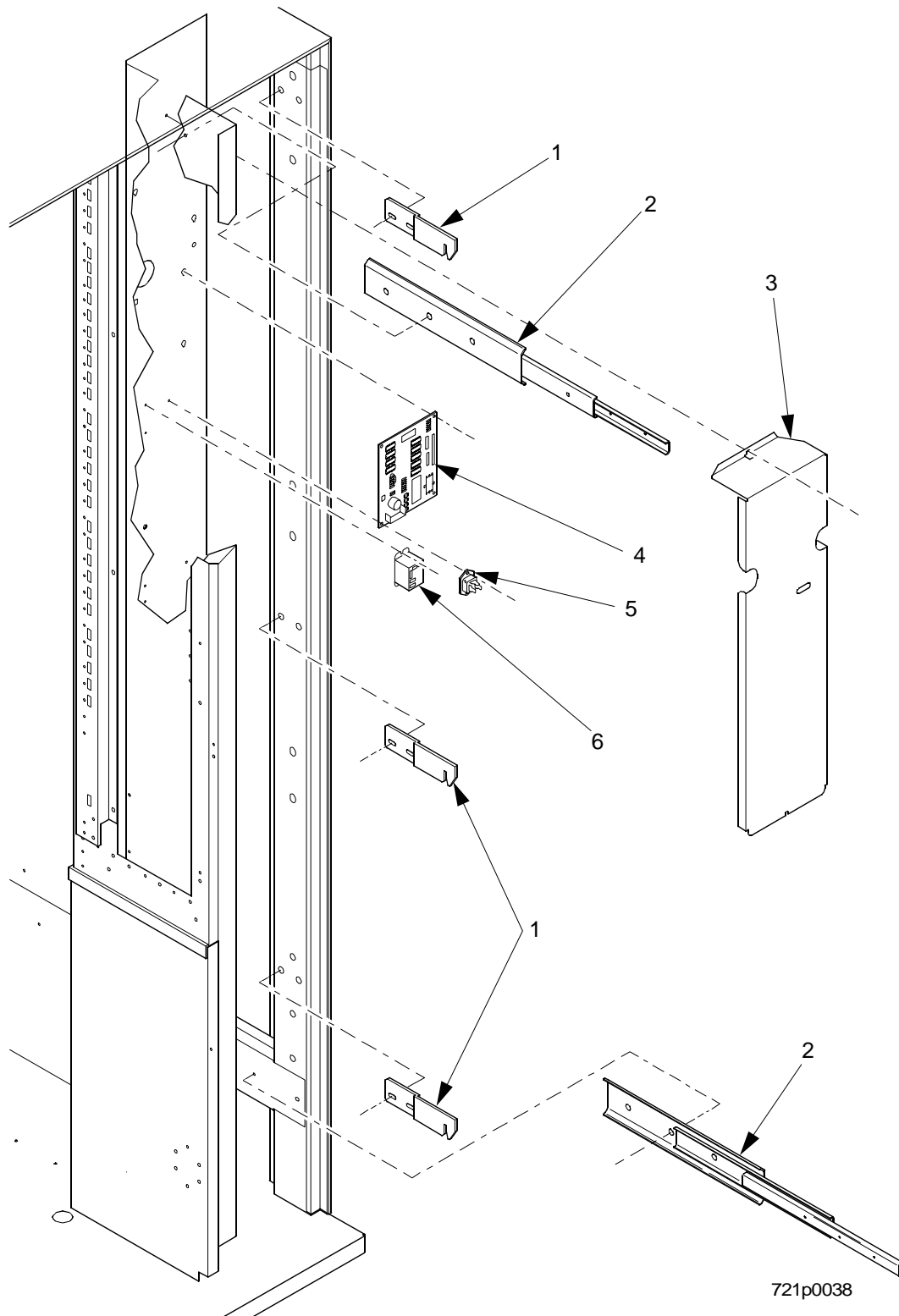


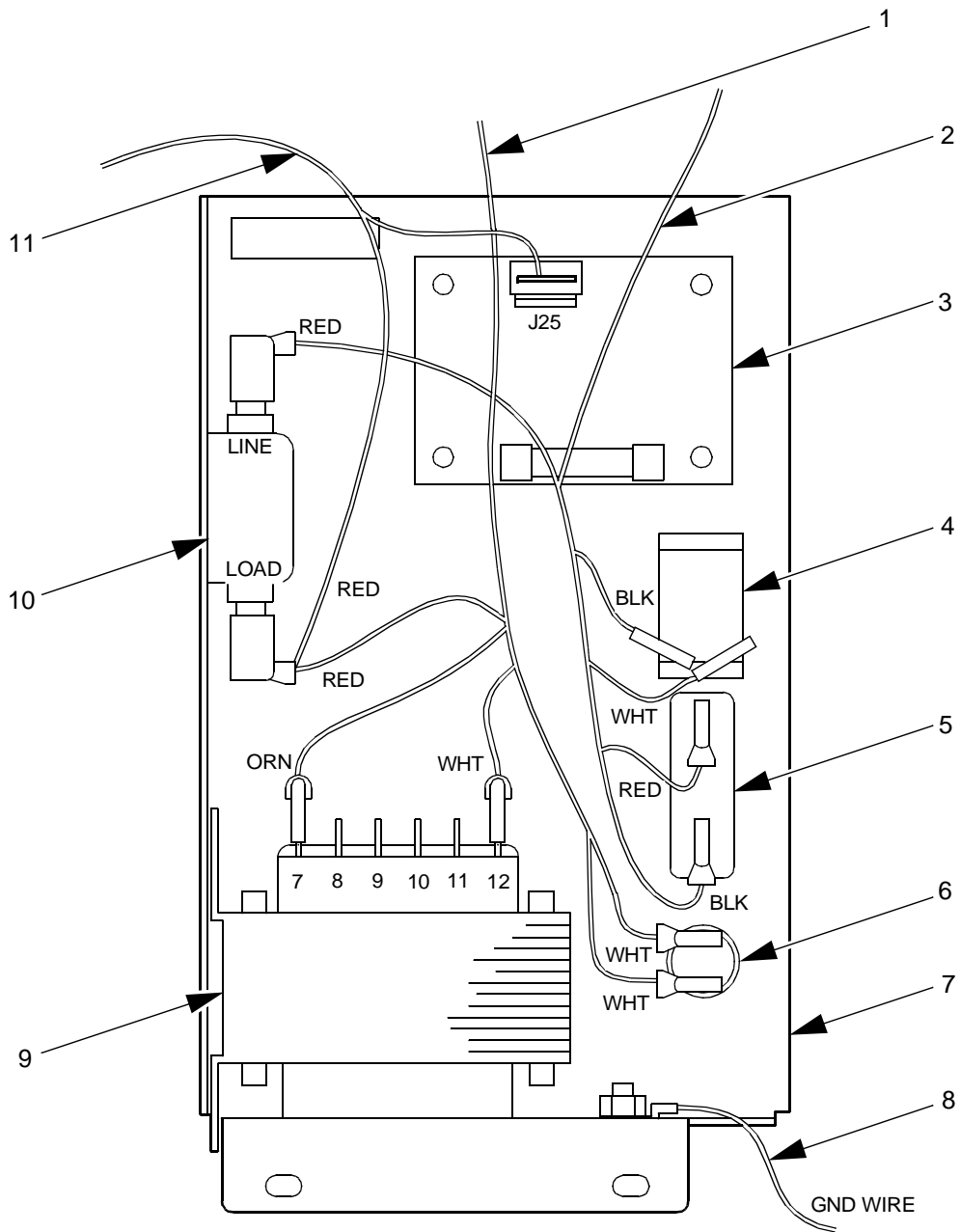
Figure 30. Snack Interface PCB, Triac, Refrigeration Relay and Monetary Compartment Slides

Model 721 Parts Manual

TABLE 30. SNACK INTERFACE PCB, TRIAC, REFRIGERATION RELAY AND MONETARY COMPARTMENT SLIDES

INDEX	PART NUMBER	DESCRIPTION	QTY
1	7211238	LOCK ARM - CABINET	3
2	7211229	SLIDE - MONETARY	2
3	7211202	COVER - CONTROL/INTERFACE PCB	1
4	9989838	PCB ASSEMBLY - INTERFACE	1
5	9983778	TRIAC - 35A - 600V	1
6	9989677	RELAY - SPDT. 24VDC - PANEL MOUNT	1

Model 721 Parts Manual



721p0041

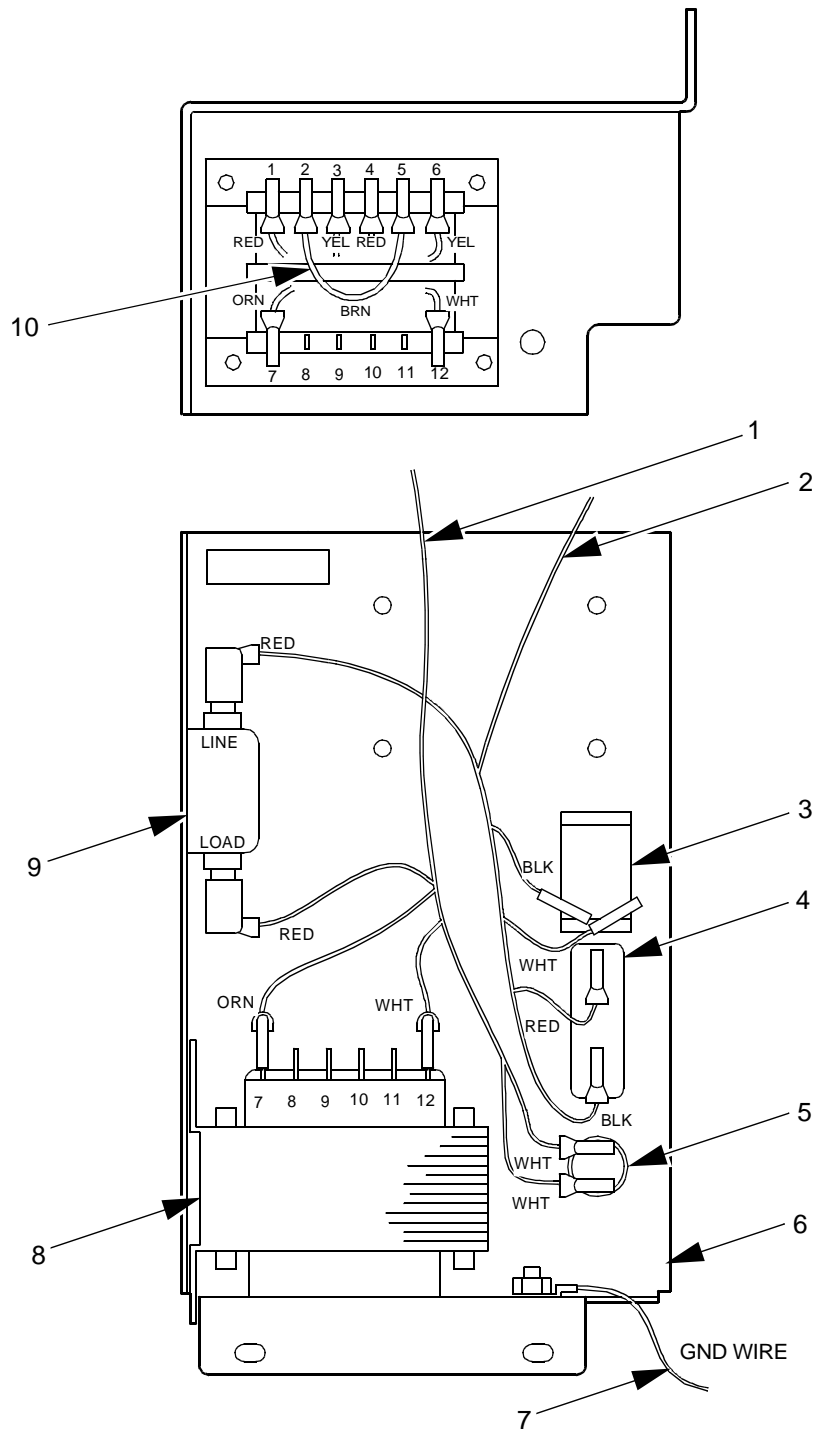
Figure 31. Power Panel Assembly

Model 721 Parts Manual

TABLE 31. POWER PANEL ASSEMBLY

INDEX	PART NUMBER	DESCRIPTION	QTY
-	7211246	PWR CNTL PAN.ASSEMBLY - DOM - 120V - MEC (SEE FIGURE 29)	1
1	9989659	PCB ASSEMBLY - DUMB MECH POWR SUPPLY	1
2	7219031	HARNESS - MONETARY AC	1
3	9984629	SWITCH - TOGGLE - DPST - 20AMP	1
4	9989672	BREAKER - 15A	1
5	9989674	CIRCUIT BREAKER - 4 AMP	1
6	7211230	CONTROL PANEL - CAB.POWER	1
7	9984094	GROUND WIRE	1
8	9989046	24V XFMR - DUAL PIR. - .187 TERM.	1
9	9989100	INTERFERENCE FILTER	1
10	7219011	HARNESS - DUMB COIN MECH	1
11	7219000	HARNESS - 24V POWER	1

Model 721 Parts Manual



721p0047

Figure 32. Power Panel Assembly - U.K./Australia

Model 721 Parts Manual

TABLE 32. POWER PANEL ASSEMBLY - U.K./AUSTRALIA

INDEX	PART NUMBER	DESCRIPTION	QTY
-	7211247	POWER CONTROL PANEL ASSEMBLY - U.K. (SEE FIGURE 29)	-
1	7219000	HARNESS - 24V POWER	1
2	7219031	HARNESS - MONETARY AC	1
3	9984629	SWITCH - TOGGLE - DPST - 20 AMP	1
4	9989672	BREAKER - 15A	1
5	9989674	CIRCUIT BREAKER - 4 AMP	1
6	7211230	CONTROL PANEL - O.D. CAB. POWER	1
7	9984094	WIRE - GROUND - 14"	1
8	9989046	24V TRANSFORMER - DUAL PRI. - .187 TERM	1
9	9989100	INTERFERENCE FILTER	1
10	4279001	JUMPER - 230V - TRANSFORMER PRI	1

Model 721 Parts Manual

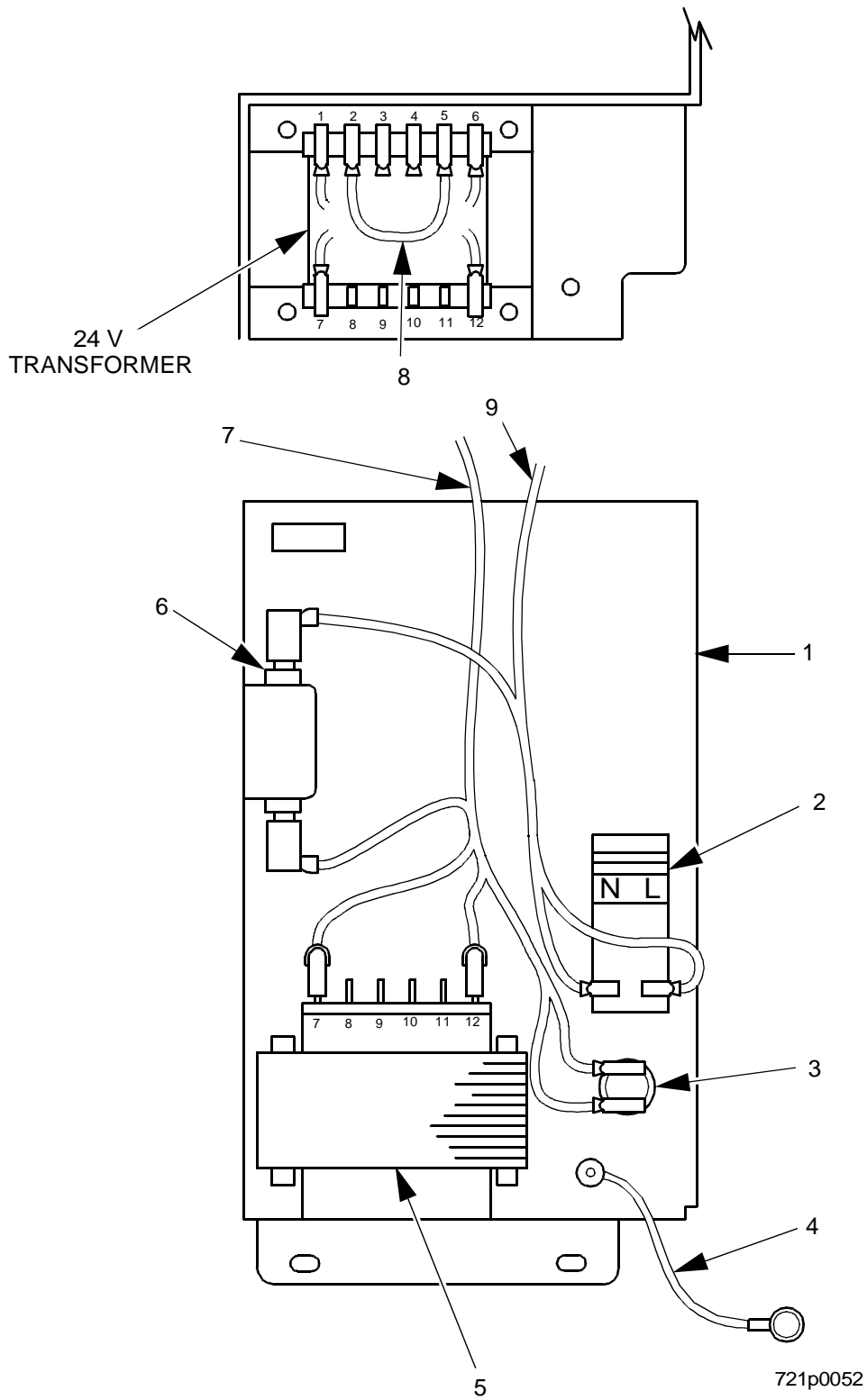


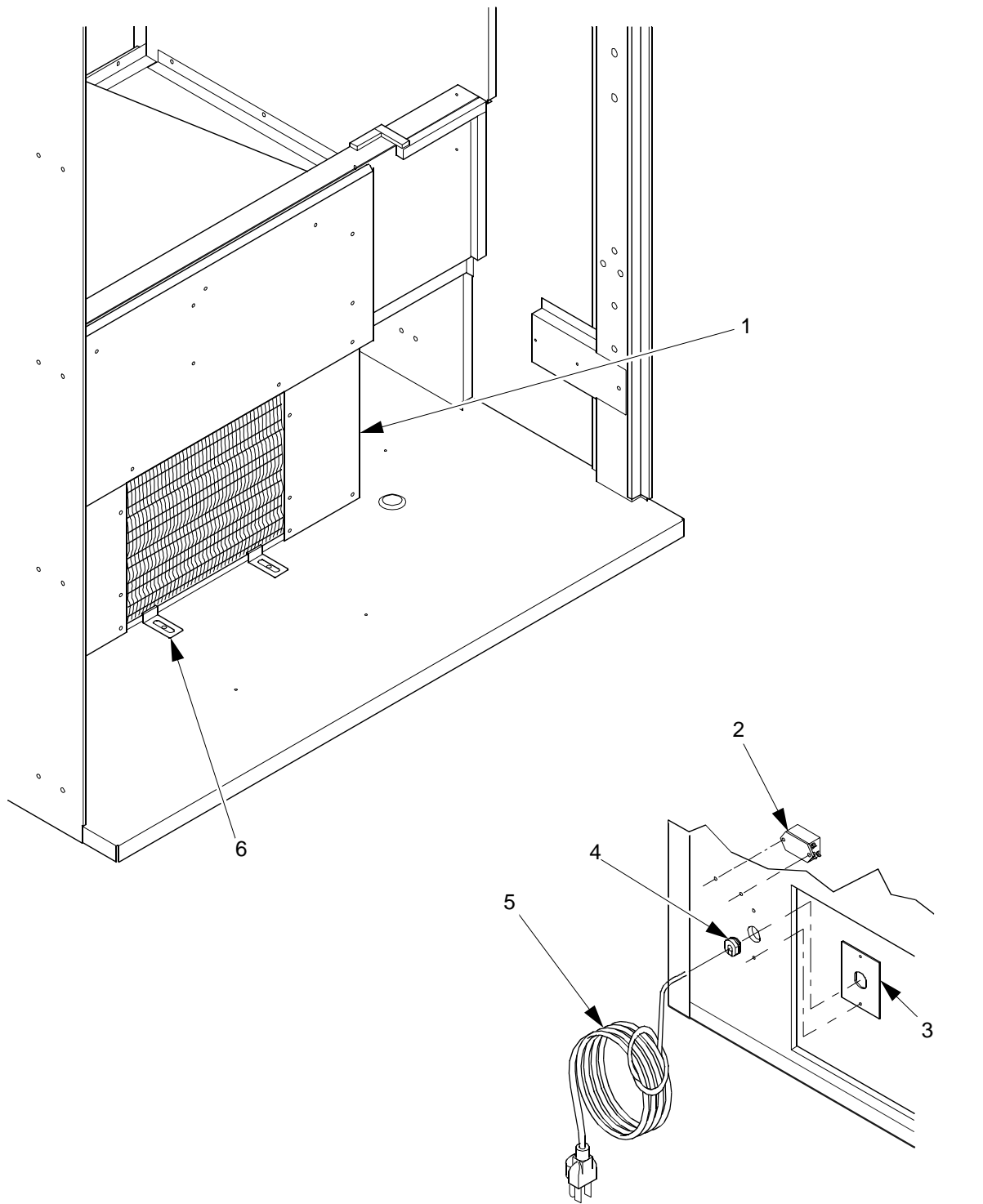
Figure 33. Power Control Panel Assembly - 230 V - France/Germany

Model 721 Parts Manual

TABLE 33. POWER CONTROL PANEL ASSEMBLY - 230 V - FRANCE/GERMANY

INDEX	PART NUMBER	DESCRIPTION	QTY
1	7211248	CONTROL PANEL-230V POWER	1
2	9984627	CIRCUIT BREAKER/SWITCH - 16 AMP	1
3	9989674	CIRCUIT BREAKER - 4 AMP	1
4	9984094	WIRE - GROUND - 14"	1
5	9989046	24V XFMR - DUAL PIR. - .187 TERM	1
6	9989100	INTERFERENCE FILTER	1
7	7219000	HARNESS - 24V POWER	1
8	4279001	JUMPER - 230V - TRANSFORMER PRIMARY	1
9	7219031	HARNESS - MONETARY AC	1

Model 721 Parts Manual



721p0040

Figure 34. Refrigeration Assembly, Power Cord and Retainer Plate

Model 721 Parts Manual

TABLE 34. REFRIGERATION ASSEMBLY, POWER CORD AND RETAINER PLATE

INDEX	PART NUMBER	DESCRIPTION	QTY
1	7214000	REFRIGERATION MODULE	1
	7214064	REFRIGERATION MODULE - INTERNATIONAL	
2	9989110	FILTER - POWER LINE - EMI (230 V)	1
3	7211225	PLATE - DOM MAIN PWR CD.STR.REL.	1
4	3104056	BUSHING #SR - 7W - 2	1
5	9989776	POWER CORD - 14AWG - OUTDOOR (USA)	1
	9989779	POWER CORD - AUSTRALIA - OUTDOOR (AUSTRALIA)	
	9989777	POWER CORD - EURO - OUTDOOR (FRANCE/GERMANY)	
	9989778	POWER CORD - BSI - OUTDOOR (U.K.)	
6	7211165	CLAMP - MODULE	2

TABLE 35. REFRIGERATION COMPONENTS

PART NUMBER	DESCRIPTION	QTY
COMMON PARTS		
7214008	CONDENSER	1
7214011	PAN - CONDENSATE	1
7214014	BLADE - CONDENSER FAN	1
7219002	HARNESS - COMP.	1
PARTS FOR 115 V. APPLICATIONS ONLY		
4254027	GROMMET - 15/16 HEIGHT	4
4254028	SLEEVE - 55/64 LENGTH	4
4304194	DRIER	1
4304231	MOTOR - CONDENSER - 16 WATT	1
4314014	FAN - EVAPORATOR - AXIAL	1
7214000	REFRIGERATION MODULE	1
7214036	EVAP & TUBE ASSEMBLY	1
7214039	COMPRESSOR - 115V - AEA4448YXA	1
7214040	BAG - COMPRESSOR - 115V	1
PARTS FOR 230 V. APPLICATIONS ONLY		
3284023	GROMMET	4
3284024	SLEEVE	4
4314054	FAN - EVAPORATOR - AXIAL - FOREIGN	1
4314089	MOTOR - CONDENSER FAN - 16W - MORILL	1
7214049	FILTER - #SKC31195-01 W/O WAFER	1
7214054	EVAP & TUBE ASSEMBLY	1
7214059	START RELAY - DANFOSS #117U6005	1
7214060	COMP. - DANFOSS - SC15G	1
7219002	HARNESS - COMP.	1
9988902	CAPACITOR - START - 80MFD - 220/250V	1

Model 721 Parts Manual

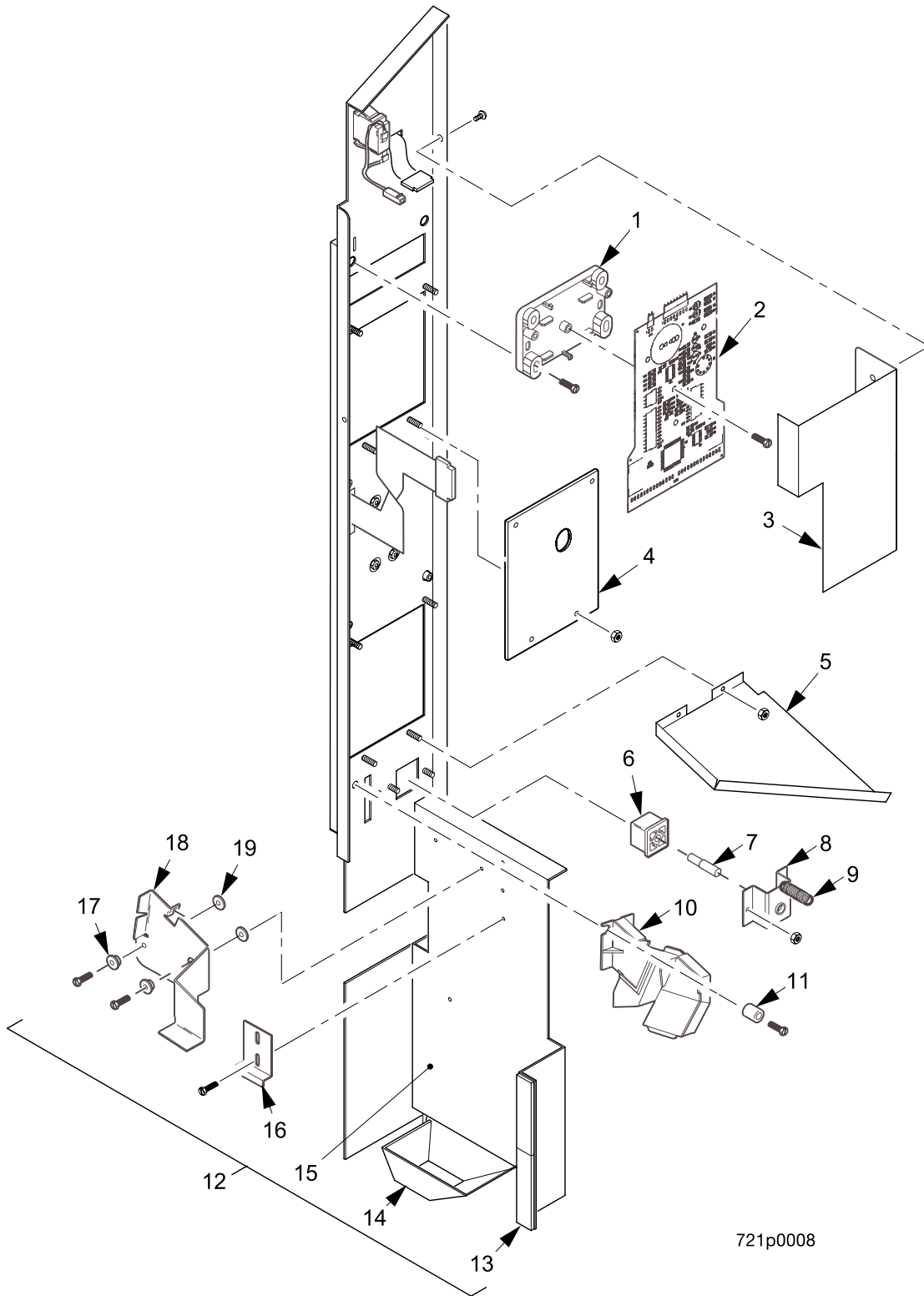


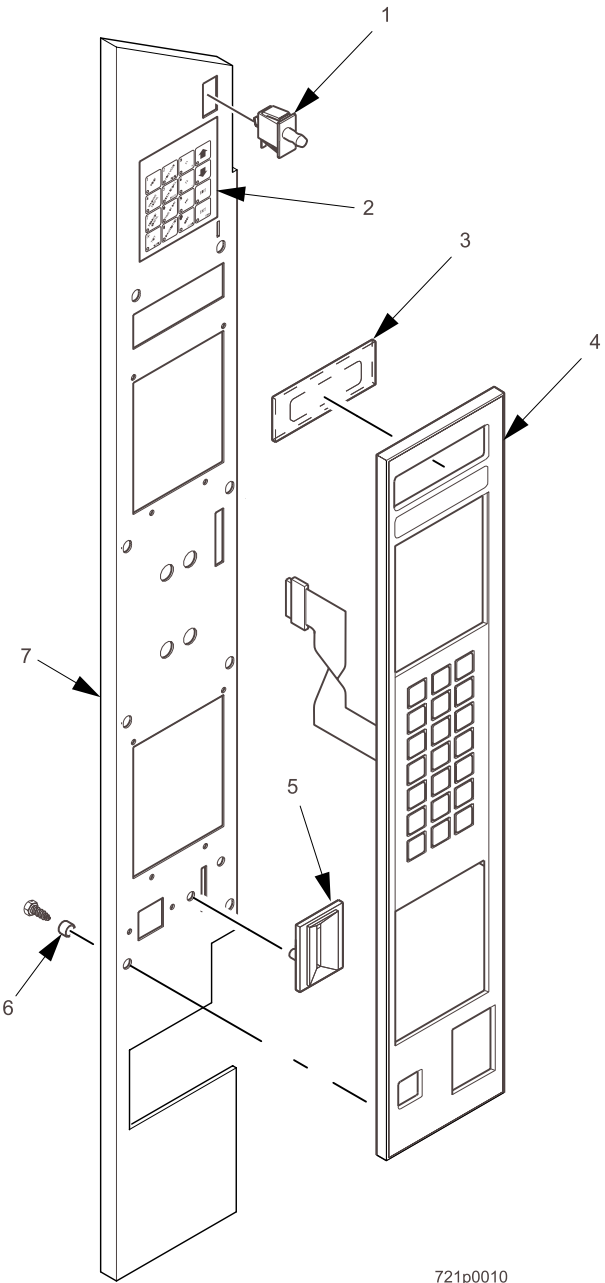
Figure 36. Monetary Panel - Back Side

Model 721 Parts Manual

TABLE 36. MONETARY PANEL - BACK SIDE

INDEX	PART NUMBER	DESCRIPTION	QTY
1	7211174	BRACKET - PCB - DISPLAY	1
2	9989685	PCB ASSEMBLY - DISPLAY	1
3	7211214	COVER - DISPLAY	1
4	1575048	PLATE - INSERT BACKING	1
5	7215002	DEFLECTOR - RAIN	1
6	1475026	BUTTON - COIN RETURN	1
7	1475072	SHAFT - RETURN BUTTON	1
8	1571079	BRACKET - COIN RETURN BUTTON	1
9	1127808	SPRING SHELF RESET	1
10	1575003	COIN CHUTE ASSEMBLY	1
11	2302053	SPACER CUP	1
12	7215007	BRACKET ASSEMBLY - COIN MECH	1
13	3122056	MAGNET RETAINER COIN CHANGER	2
14	7215008	CHUTE - COIN RETURN	1
15	7215006	BRACKET - COIN MECH	1
16	6231037	CLAMP - CABLE	1
17	2228011	SPACER RELEASE ARM	2
18	1571113	ARM - SCAVENGER	1
19	2204093	WASHER SCAVENGER BAR	2

Model 721 Parts Manual



721p0010

Figure 37. Monetary Panel - Front Side

Model 721 Parts Manual

TABLE 37. MONETARY PANEL - FRONT SIDE

INDEX	PART NUMBER	DESCRIPTION	QTY
1	1401110	SWITCH	1
2	6335002	SERVICE KEYPAD ASSEMBLY	1
3	7215003	LENS - DISPLAY	1
4	7215020	FACEPLATE ASSEMBLY	1
5	1472223	COIN INSERT	1
	1672001	COIN INSERT - AUSTRALIA	
6	2302053	SPACER CUP	2
7	7215005	PANEL - MONETARY FRONT	1

Model 721 Parts Manual

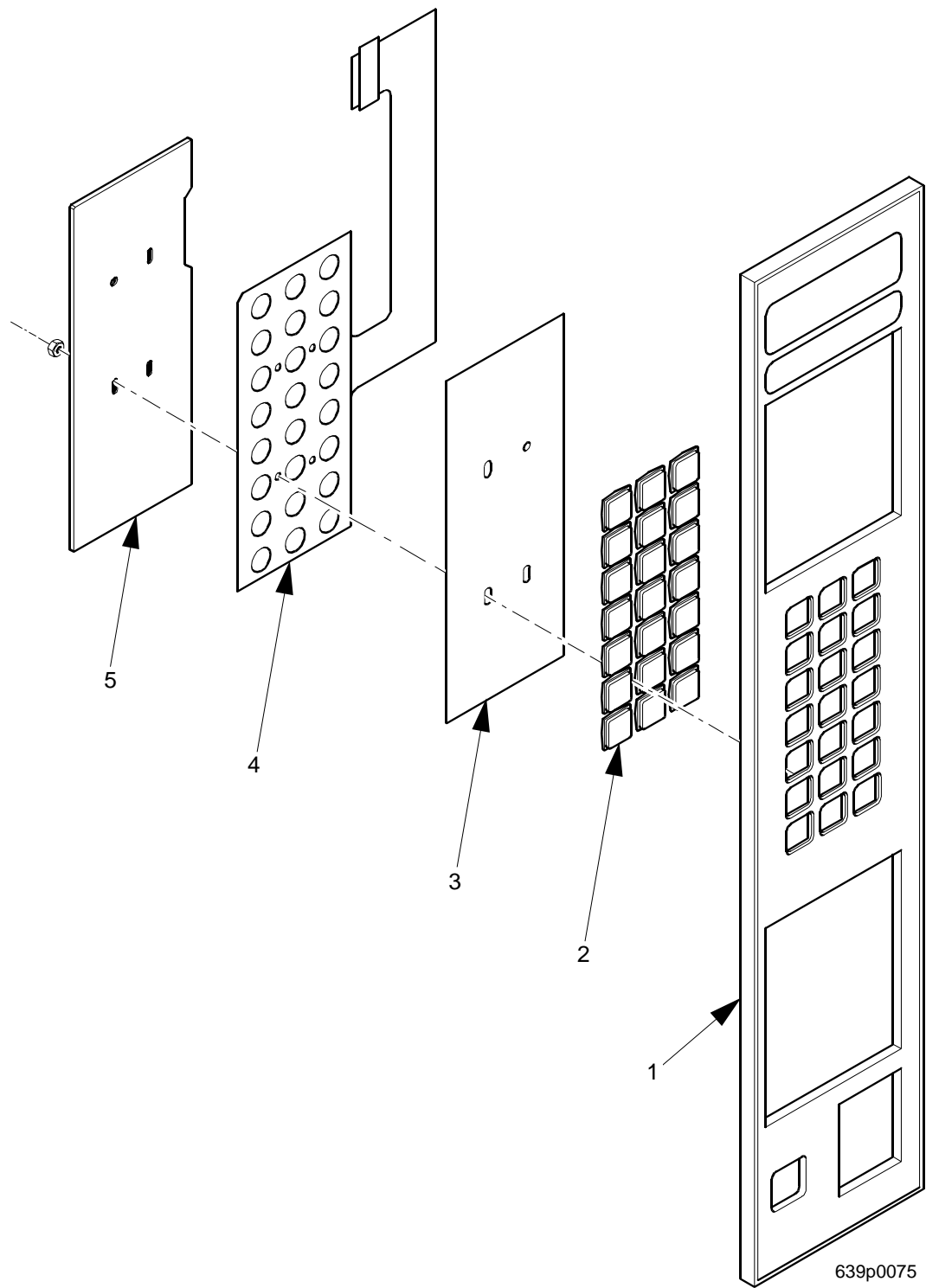


Figure 38. Faceplate Assembly Detail

Model 721 Parts Manual

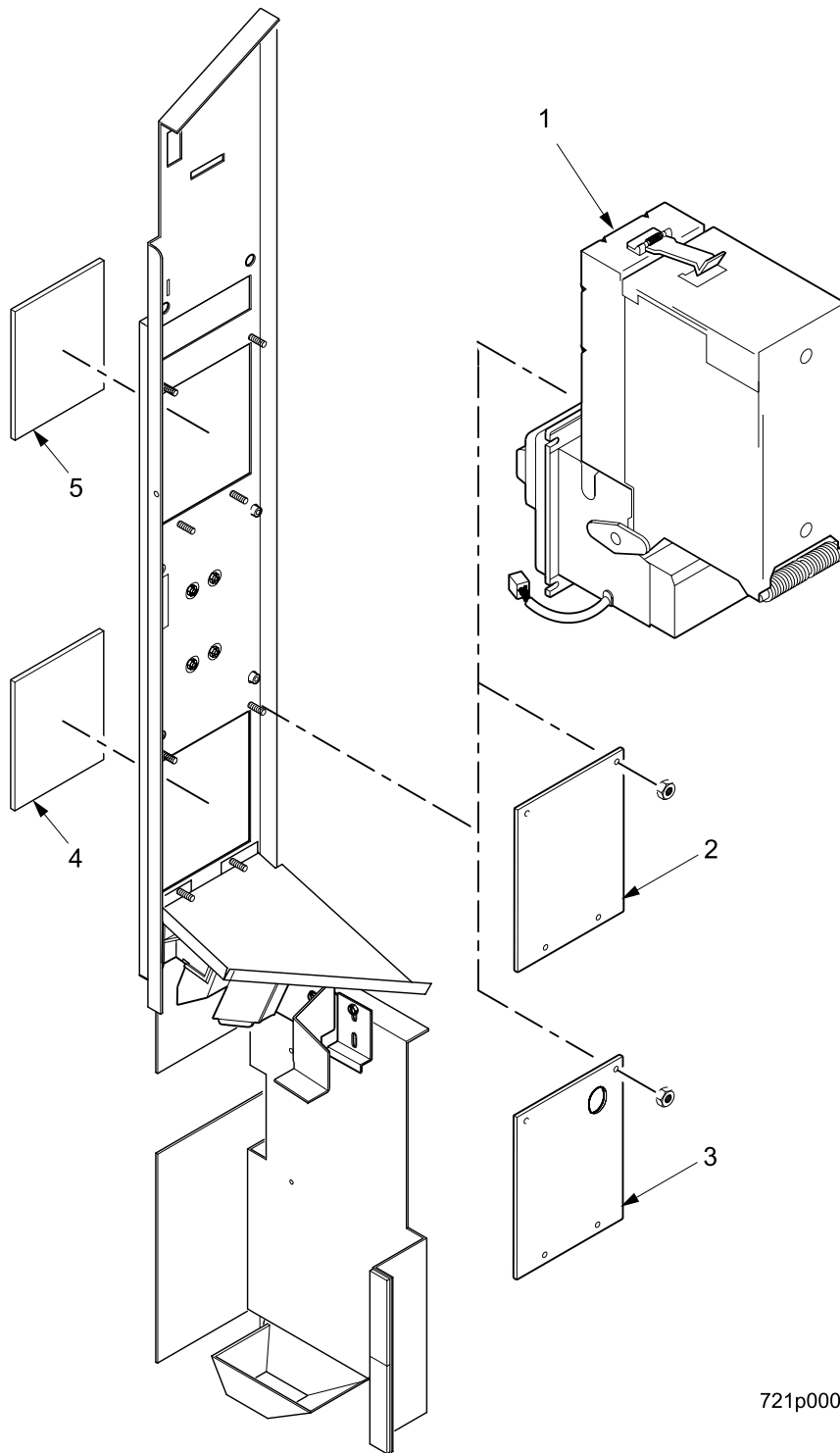
TABLE 38. FACEPLATE ASSEMBLY DETAIL

INDEX	PART NUMBER	DESCRIPTION	QTY
-	7215020	FACEPLATE ASSEMBLY	1
1	1575001	SELECTION PANEL - MONETARY	1
2	1472251	LENS - PUSH BUTTON	21
3	1575010	LETTER SHEET - SELECT SWITCH	1
4	7215019	MEMBRANE SWITCH ASSEMBLY - SELECT	1
5	1575091	PLATE - SELECT SWITCH - BACKUP	1

TABLE 39. COIN MECHANISM OPTIONS

PART NUMBER	DESCRIPTION
5307321	COINTRON 3000 - U.S.COIN VAL.
5900094	COINCO 9300L COIN UNIT
5900096	COINCO 9340L COIN UNIT
5900112	MARS MC5000 COIN UNIT
5900116	MARS TRC6000 COIN UNIT - CONSMNT
5900192	COIN UNIT - CONLUX USLX00401F
5900209	COIN UNIT - CONLUX USLZ - 001"MDB"
5900213	COIN UNIT - COINCO - 9302 - GX "MDB"
5900214	COIN UNIT - MARS - VN4510 - MDB
5900216	COIN UNIT - MARS - VN4000, 110V
5900217	COIN UNIT - MARS - VN4010XV - 24V
5900222	COIN UNIT - MARS TRC6000 - ASV
5900237	COIN MECH - CONLUX USLX - OO1 120V
5900243	COIN UNIT - TRC6512MDB - CONSNMNT
5900244	COIN UNIT - COINCO USD - G701 MDB
5900255	COIN UNIT - COINCO USD - G705 MDB -
6400002	COIN CHANGER - MARS #TRC6010XV -
6400003	COIN CHNGR - COINCO 9302LF - 24VDC
6400002	COIN CHANGER - MARS #TRC6010 XV
5900240	COIN UNIT - CASHFLOW 550CA5111 MDB

Model 721 Parts Manual



721p000€

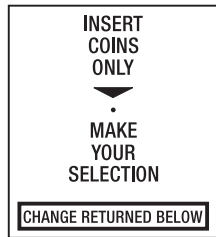
Figure 40. Validator Options and Validator Filler Plate Accessory

Model 721 Parts Manual

TABLE 40. VALIDATOR OPTIONS AND VALIDATOR FILLER PLATE ACCESSORY

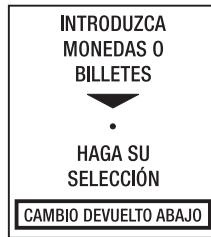
INDEX	PART NUMBER	DESCRIPTION	QTY	PULSE HARNESS	MDB HARNESS	SERIAL HARNESS
1	1475053	MAKA VAL - MASK K (NB - 1KB - 400)		1579006		
	5900182	VALIDATOR - COINCO BA30SA			1579034	1579028
	5900248	VAL - MARS AE2611 - U5E SERIAL				1579028
	5900193	VAL - MARS - S2000 - VN2511U5E - CNSMT				1579028
	5900256	VALIDATOR - COINCO BA - 30 - SA - RLA				
	5900210	VAL.MARS - VN2512 - U5M/500 - CON-SMT			INCLUDED	
	5900198	VAL - MARS - S2000 - VN2311 - U5E 110V		1579005		
	5900205	VALIDATOR - MARS VN2512 - U5E 24V.				1579032
						9989718
	5900234	VAL. - CONLUX MKA2162 - 12B 24VAC			1579050	1579032
						9989718
	5900233	VAL. - CONLUX MKA2152 - 12B 120V				1579028
	5900247	VAL - MARS AE2612 - U5M**MDB**			INCLUDED	
	5900221	VALIDATOR - COINCO - BA32SA - 24V				1579032
						9989718
	5900187	COIN BILL VALIDATOR CBV 125-3			1579023	
	5900242	VALIDATOR - CASHCODE - MDB - CHINA (USED WITH NEXT ITEM)				
	5900245	STACKER CASHCODE 400BILL W/LOK				
2	1575053	PLATE - NO VALIDATOR	1			
3	1575048	PLATE - INSERT BACKING	1			
4	-	LOWER INSTRUCTION INSERT (SEE FIGURE 42)	1			
5	-	UPPER INSTRUCTION INSERT (SEE FIGURE 41)	1			

Model 721 Parts Manual



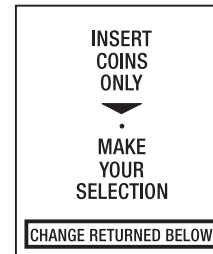
1575012

COINS
&
BILLS:
U.S.,
CHINA,
SAUDI
ARABIA



1575018

COINS
&
BILLS:
SPANISH
LANGUAGE



1575013

COINS
ONLY:
U.S.,
AUSTRALIA,
NEW ZEALAND,
U.K.,
SINGAPORE



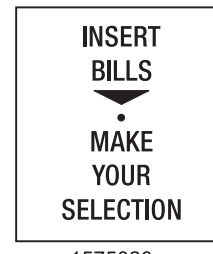
1572015

COINS
ONLY:
FRANCE



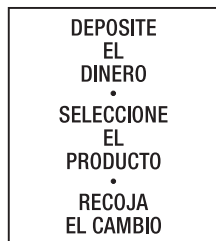
1575052

COINS
ONLY:
SWEDEN



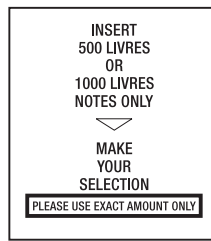
1575020

BILLS
ONLY:
KUWAIT



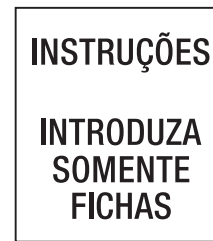
1575015

COINS
ONLY:
LATIN
AMERICA,
ARGENTINA,
MEXICO



1575021

BILLS
ONLY:
LEBANON



1575016

NO
VALIDATOR;
TOKENS:
BRAZIL



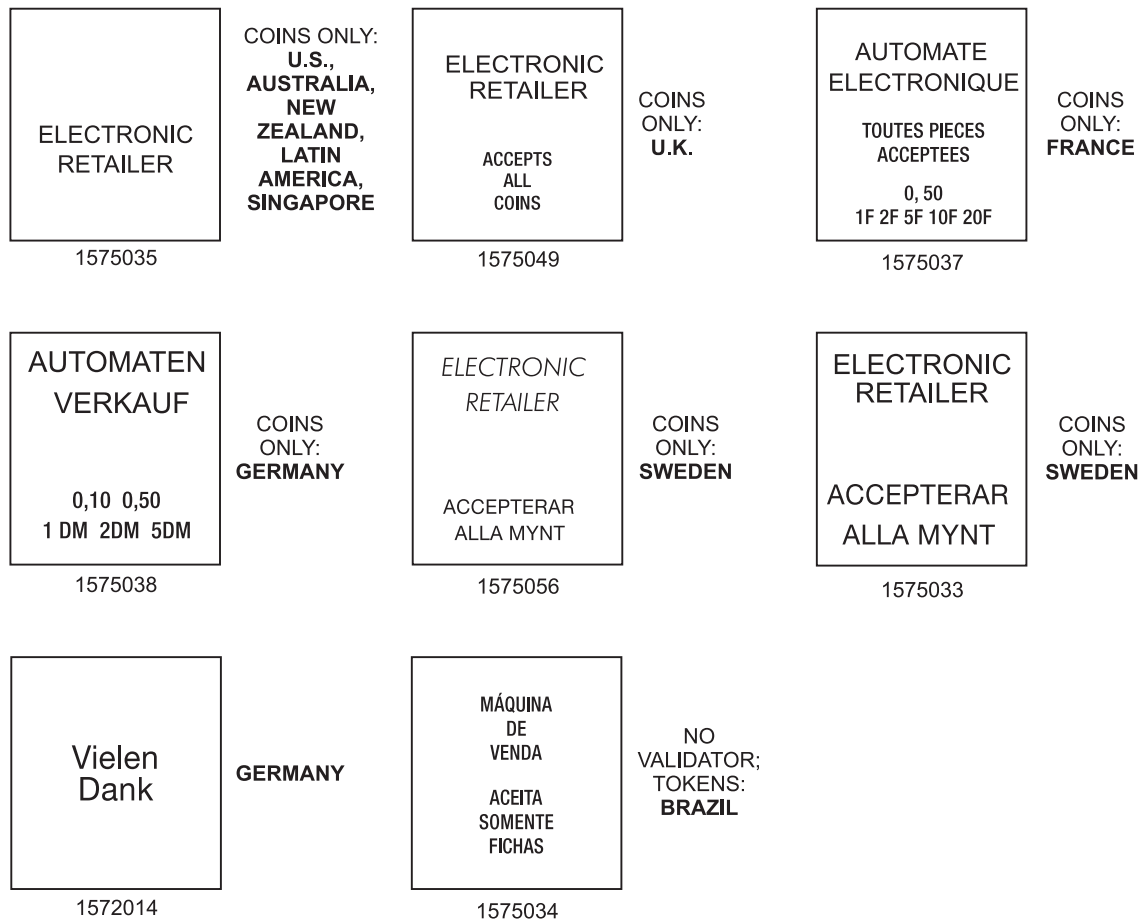
1575038

COINS
ONLY:
GERMANY

721p0050

Figure 41. Monetary Inserts - Upper Position

Model 721 Parts Manual



721p0051

Figure 42. Monetary Inserts - Lower Position

Model 721 Parts Manual

TABLE 43. COIN CHUTE AND COIN BOX AND MONEY BOX LOCK ASSEMBLY

INDEX	PART NUMBER	DESCRIPTION	QTY
1	7215013	CHANNEL - COIN CHUTE MNTNG	1
2	3152307	CHUTE - CASH BOX	1
3	1101906	MONEY BOX LOCK - #1801, KA NV407	1
4	2222603	NUT LOCK RETAINING	1
5	2222604	WASHER - LOCK BARREL - #2693	1
6	2221920	KEY CHICAGO LOCK #1801 NV407	1
7	7211211	MONEY BOX ASSEMBLY	1

Model 721 Parts Manual

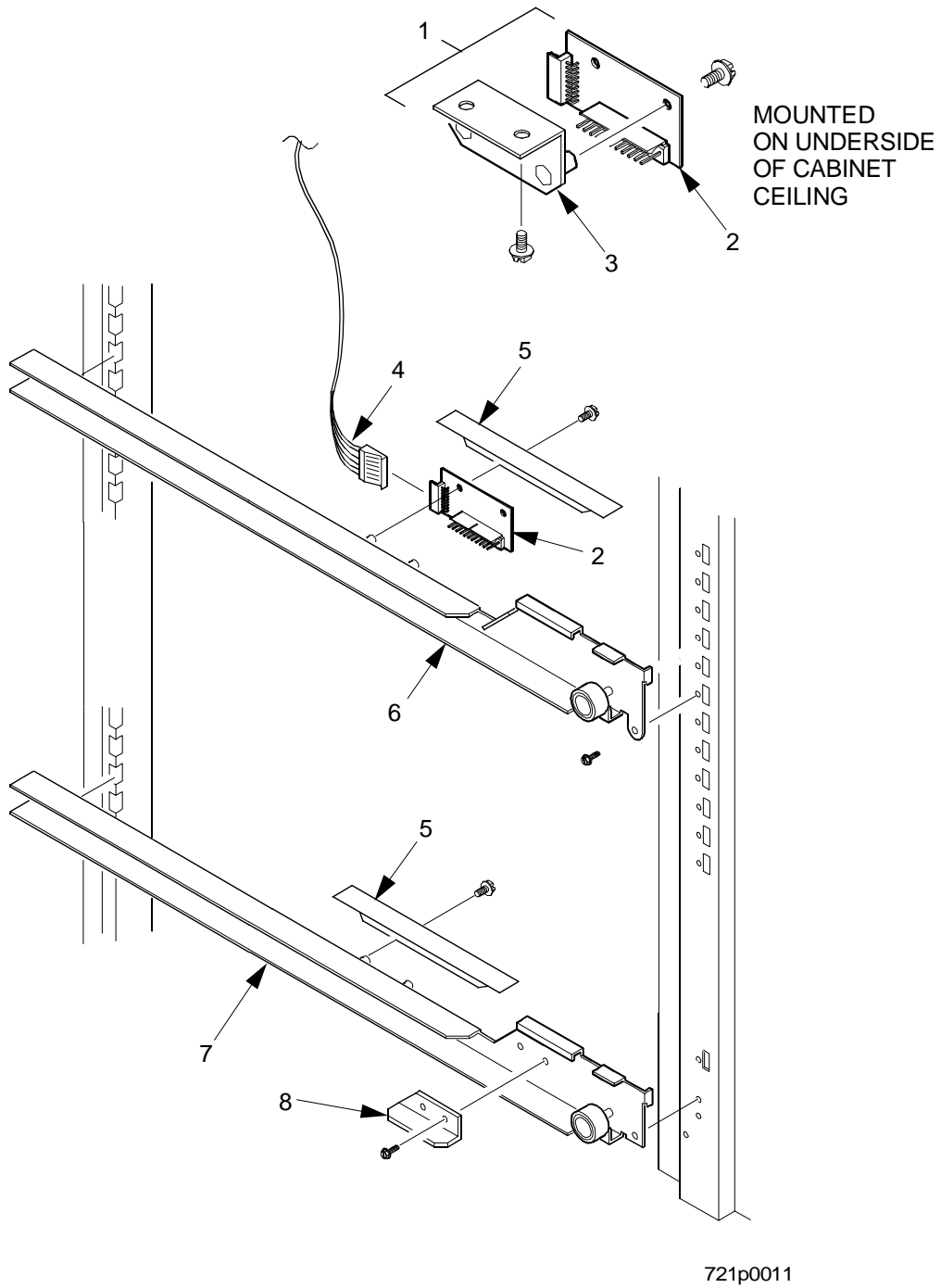


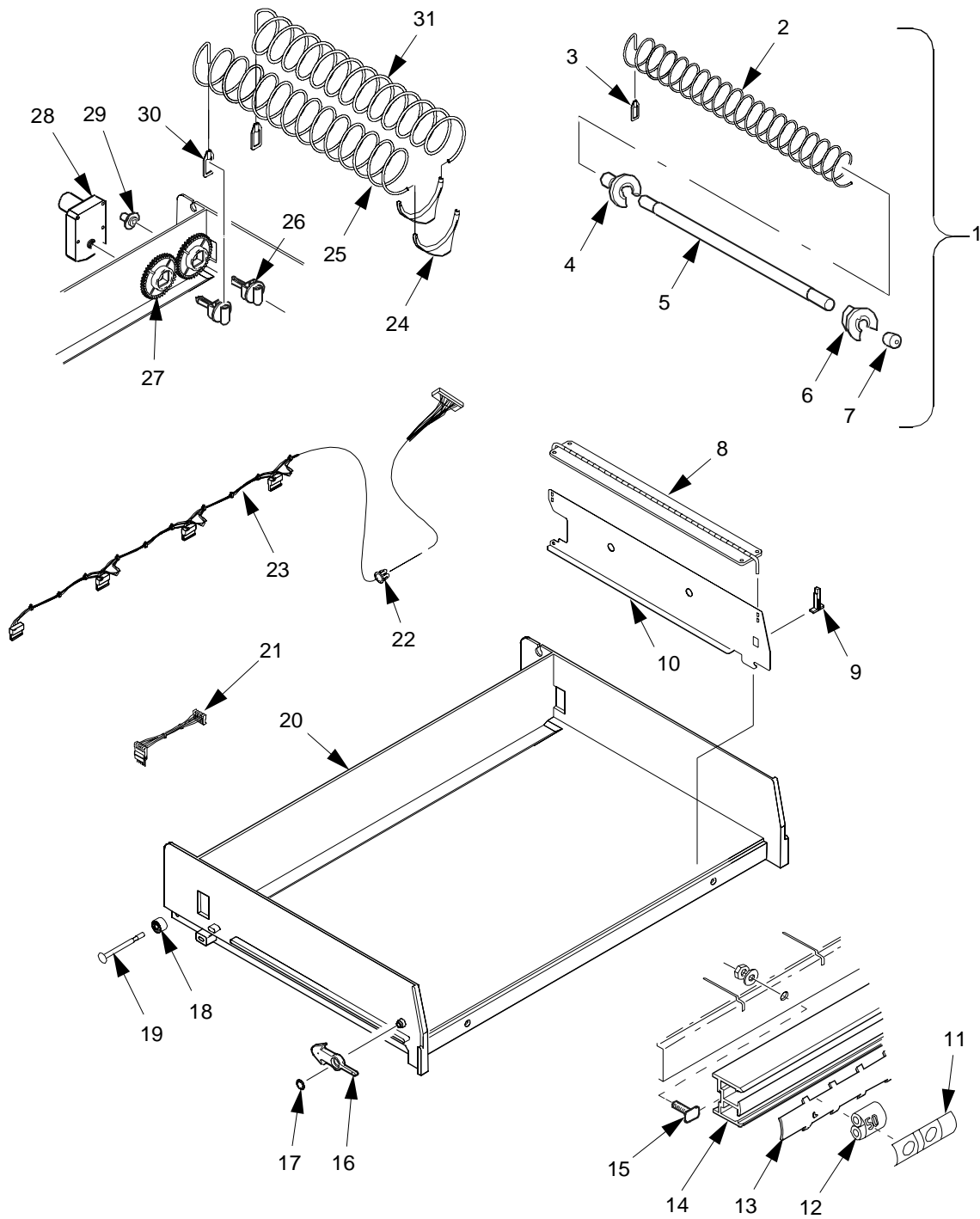
Figure 44. Cabinet Mounted Tray Components

Model 721 Parts Manual

TABLE 44. CABINET MOUNTED TRAY COMPONENTS

INDEX	PART NUMBER	DESCRIPTION	5 - TRAY	6 - TRAY	7 - TRAY
1	7211223	O.D.SNACK PCB & PLATE ASSEMBLY	1	1	1
2	1596012	PCB ASSEMBLY - TRAY (PART OF INDEX 1 AND TRAY RAIL ASSEMBLY 1571235)	5	6	7
3	7211222	PLT - O.D.SNACK PCB RAIL MOUNTIN (PART OF INDEX 1)	1	1	1
4	1599011	HARNESS - 7 TRAY CHANNEL			1
4	1599009	HARNESS - 6 TRAY CHANNEL	1	1	
5	1571229	SHIELD - TRAY RAIL/PCB (PART OF TRAY RAIL ASSEMBLIES 1571235 AND 4971049)	5	6	7
6	1571179	TRAY GUIDE RAIL - W/STANDOFFS (PART OF TRAY RAIL ASSEMBLY 1571235)	4	5	6
7	4971013	TRAY GUIDE RAIL ASSEMBLY. - R.H. (PART OF TRAY GUIDE RAIL ASSEMBLY 4971049)	1	1	1
8	4971029	BRACKET - TILT STOP - TRAY - R.H.	1	1	1
-	4971028	BRACKET - TILT STOP - TRAY - L.H. (FORMED OPPOSITE TO INDEX 8)	1	1	1
-	1571181	TRAY GUIDE RAIL ASSEMBLY - L.H. (FORMED OPPOSITE INDEX 6 WITHOUT STANDOFFS)	4	5	6
-	1571235	TRAY GUIDE RAIL ASSEMBLY. - R.H. (INCLUDES INDEX 2, 5 AND 6).	4	5	6
-	4971026	TRAY GUIDE RAIL ASSEMBLY - L.H. - BOTTOM (FORMED OPPOSITE INDEX 7 WITHOUT STANDOFFS)	1	1	1
-	4971049	TRAY GUIDE RAIL ASSEMBLY - R.H. - BOTTOM (INCLUDES INDEX 5 AND 7)	1	1	1

Model 721 Parts Manual



167p0033

Figure 45. Tray Assembly Detail

Model 721 Parts Manual

TABLE 45. TRAY ASSEMBLY DETAIL

INDEX	PART NUMBER	DESCRIPTION	SNACK	CANDY	GUM & MINT
-	1597001	SNACK TRAY ASSEMBLY	VARIES		
-	1597002	CANDY TRAY ASSEMBLY		VARIES	
-	1597003	TRAY ASSEMBLY - 8 CANDY - 2 G&M			VARIES
1	1677002	SPIRAL ASSEMBLY - DUAL G&M			2
2	1677003	SPIRAL - 2.65 DIA - DUAL G&M			1
3	1467137	RETAINER - SPIRAL ORANGE			1
4	1467130	DISC - SPIRAL INSERT			1
5	1677004	SPIRAL INSERT ASSEMBLY - BLACK			1
6	1467129	DISC - SPIRAL INSERT			1
7	1677005	CAP - SPIRAL INSERT			1
8	1677193	SPACER - ADJUSTABLE		4	3
9	1477083	RETAINER - SPIRAL - WALL (BAG ASSEMBLY)	10	10	10
10	1477175	WALL - TRAY	4	9	9
11	-	LABEL - ITEM LETTERS (TABLE 50)			
12	1477014	ROLL - PRICE CENTS	5	10	10
13	1477157	HOLDER - PRICE & SELECTION	1	1	1
14	1477134	RAIL - PRICE & SELECTION	1	1	1
15	2222031	TEE BOLT - TRIM	3	3	3
16	1477017	LATCH	2	2	2
17	5201267	PUSH ON RETAINER .312	2	2	2
18	1477148	ROLLER - TRAY	2	2	2
19	1477097	AXLE - TRAY ROLLER	2	2	2
20	1577040	TRAY - 5/10 DIVISION	1	1	1
21	1477156	JUMPER ASSEMBLY - MOTOR REVERSE			1
22	3502907	BUSHING	1	1	1
23	1679001	HARNESS - 10 MOTOR TRAY		1	1
	1679000	HARNESS - 5 MOTOR TRAY	1		
24	1477074	PUSHER - PRODUCT (BAG ASSEMBLY)	10	10	10
25	-	SPIRAL (TABLE 46)			
26	1477113	COUPLING - SPIRAL	10	10	10
27	1477020	GEAR - TRAY	10		
28	1577038	MOTOR & PCB ASSEMBLY	5	10	8
	1477114		-	-	2
29	1477022	BEARING - COUPLER	5	-	-
30	-	SPIRAL RETAINER (TABLE 46)			
31	-	SPIRAL (TABLE 46)			

Model 721 Parts Manual

TABLE 46. SPIRAL OPTIONS

SPIRAL COUNT	RETAINER COLOR	LEFT HAND		RIGHT HAND		RETAINER
		ASSEMBLY	SPIRAL	ASSEMBLY	SPIRAL	
5	-	-	1477178	-	1477179	-
6	PURPLE	1477103	1477102	1477105	1477104	1477107
9	GRAY	1477152	1477153	1477149	1477150	1477155
11	BLUE	1477023	1477024	1477026	1477027	1457061
13	YELLOW	1477029	1477030	1477032	1477033	1457062
15	RED	1477035	1477036	1477038	1477039	1457063
17	BROWN	1477101	1477100	1477099	1477098	1477106
20	WHITE	1477041	1477042	1477044	1477045	1457064
25	GREEN	1477047	1477048	1477050	1477051	1457065
30	BLACK	1477053	1477054	1477056	1477057	1477073

Model 721 Parts Manual

1579018
1579018

RS232 PRINTER INTERFACE HARNESS



9984516

FEMALE MODULAR ADAPTER

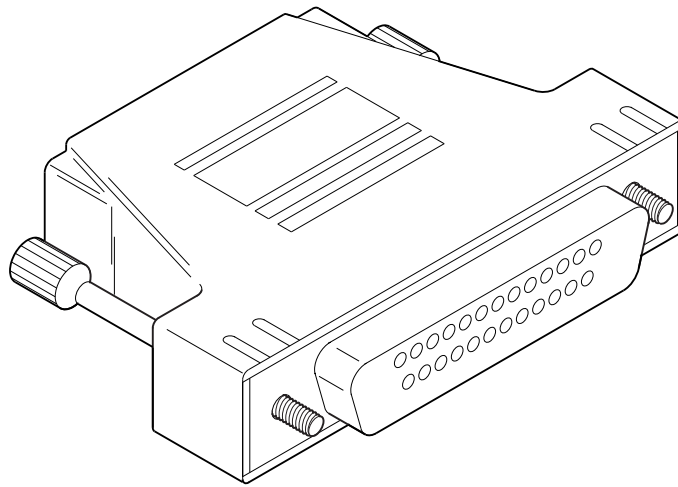


Figure 47. Accessories Feature - Data Printer Interface

Model 721 Parts Manual

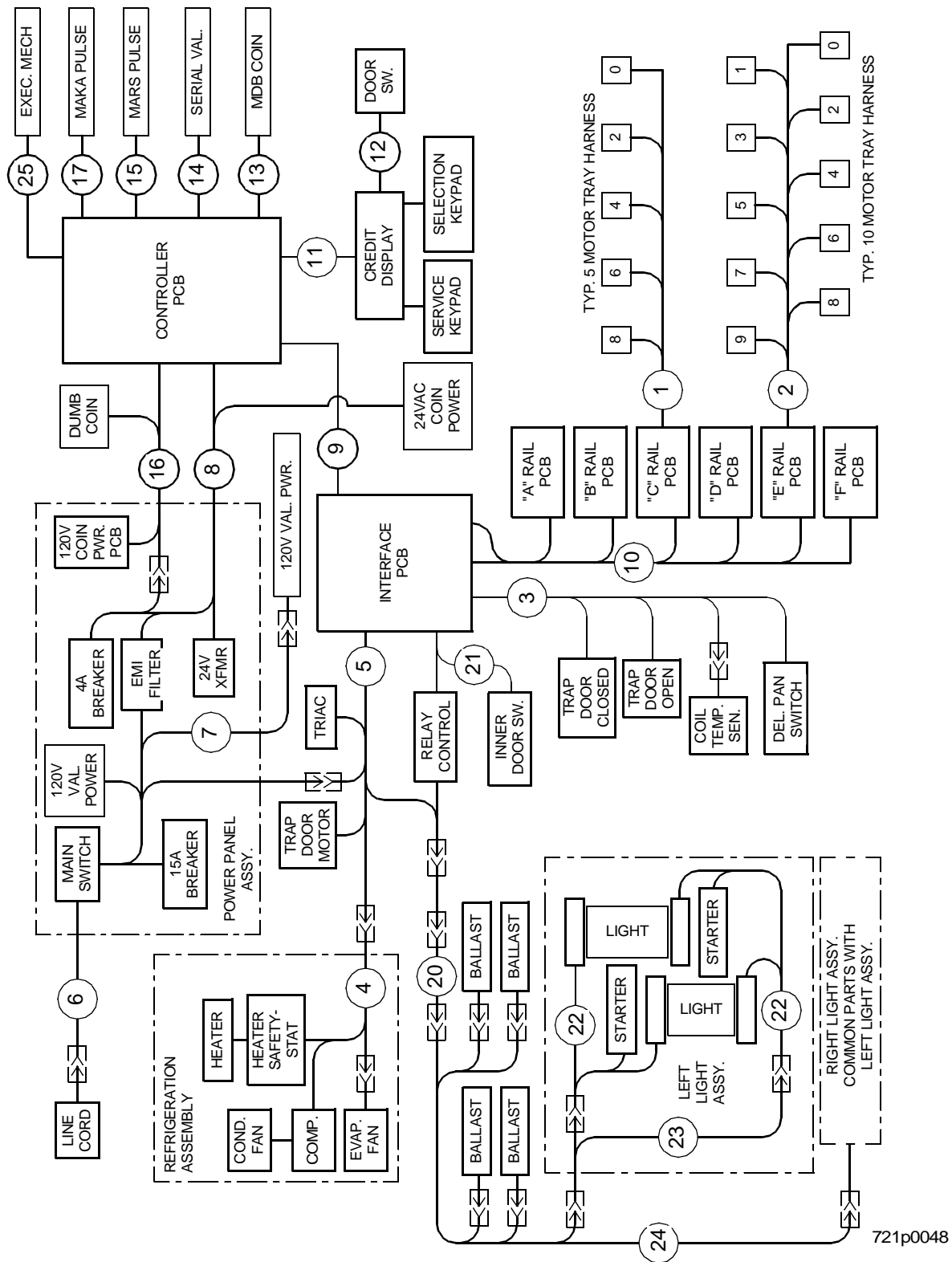


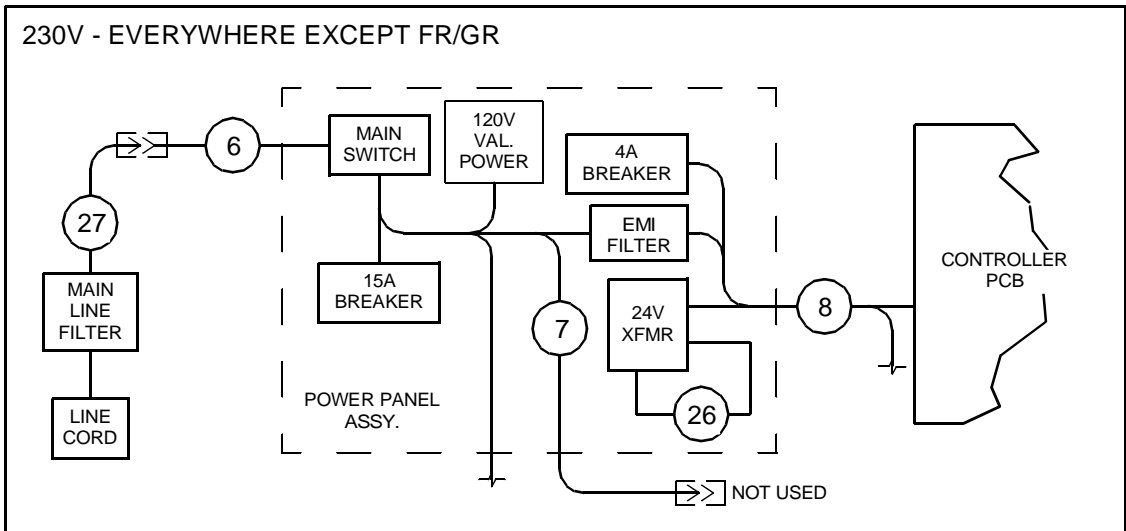
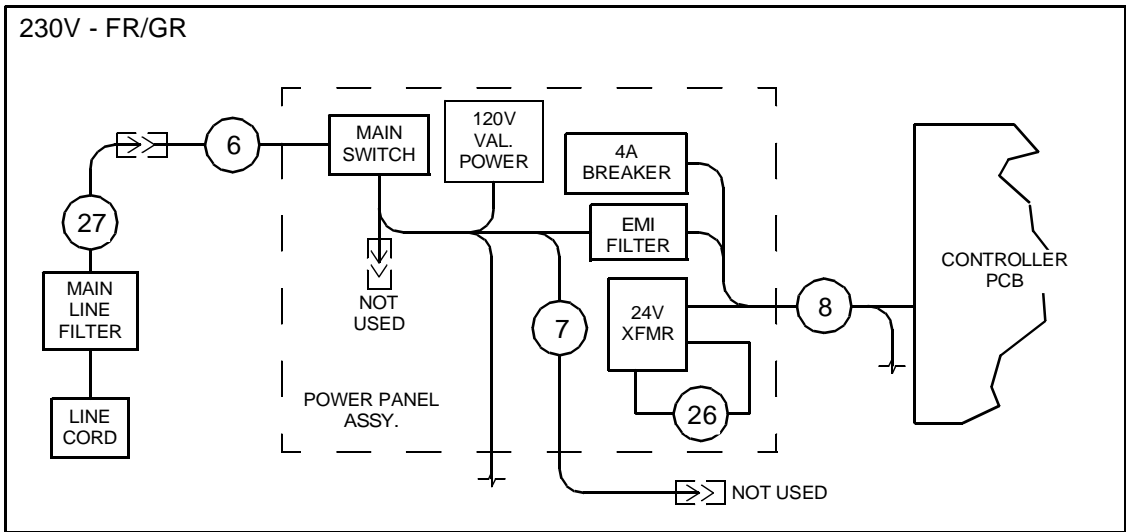
Figure 48. Wiring Harnesses

Model 721 Parts Manual

TABLE 48. WIRING HARNESESSES

INDEX	PART NUMBER	DESCRIPTION
1	1679000	HARNESS - 5 MOTOR TRAY
2	1679001	HARNESS - 10 MOTOR TRAY
3	7219007	HARNESS - CAB.DC
4	7219002	HARNESS - COMP.
5	7219030	HARNESS - CAB/AC
6	7219018	HARNESS - POWER CORD TO PANEL
7	7219031	HARNESS - MONETARY AC
8	7219000	HARNESS - 24V POWER
9	1579008	CABLE RIBBON - 16 CONDUCTOR
10	1599009	HARNESS - 6 TRAY CHANNEL
11	7219001	HARNESS - PCB TO DISPLAY
12	1579009	JUMPER - MONETARY DOOR SWITCH
13	1679054	HARNESS - "MDB" COIN & VAL.
14	1679053	HARNESS - SERIAL VAL.
15	1679052	HARNESS - MARS PULSE VAL.
16	7219011	HARNESS - DUMB COIN MECH
17	1679051	HARNESS - MAKA PULSE
18	7219012	ASSEMBLY - LIGHT SOCKET
19	7219013	HARNESS - LIGHT ASSEMBLY
20	1679005	FILTER - 120 V
21	7219021	HARNESS - INNER DOOR SWITCH
22	7219032	SOCKET ASSEMBLY-LIGHT & SOCKET
23	7219036	NOTE: IN PLACE OF HARNESESSES 7219036 AND 7219037, SOME INTERMEDIATE CONFIGURATIONS USE A SINGLE HARNESS (7219033) BETWEEN FILTER 1679005 AND LIGHT & STARTER SOCKETS 7219032, AND BETWEEN FILTER 7219033 AND THE BALLASTS.
24	7219037	
25	1679050	HARNESS - EXEC. COIN - LONG
26	4279001	JUMPER - 230V - TRANSFORMER PRI
27	6849015	JUMPER - POWER SW
-	1477156	JUMPER ASSEMBLY - MOTOR REVERS (NOT SHOWN)
-	1579032	HARNESS - SERIAL VALIDATOR - 24V (NOT SHOWN)
-	1579034	HARNESS FOR BA30/32SA**"MDB"*** (NOT SHOWN)
-	1579050	HARNESS**MDB**FOR CONLUX 2000 (NOT SHOWN)
-	1599011	HARNESS - 7 TRAY CHANNEL (NOT SHOWN)
-	1599011	HARNESS - 7 TRAY CHANNEL (NOT SHOWN)
-	9984094	GROUND WIRE - 14" (NOT SHOWN)
-	9989718	JUMPER - VALIDATOR - 24V (NOT SHOWN)
-	9989776	POWER CORD - 14AWG - OUTDOOR - 115 V (USA) (NOT SHOWN)
-	9989777	POWER CORD - EURO - OUTDOOR (FRANCE/GERMANY) (NOT SHOWN)
-	9989778	POWER CORD - BSI - OUTDOOR (U.K.) (NOT SHOWN)
-	9989779	POWER CORD - AUSTRALIA - OUTDOOR - 230 V (AUST.) (NOT SHOWN)

Model 721 Parts Manual



721p0049

Figure 49. Wiring Harnesses (Continued)

Model 721 Parts Manual

TABLE 49. WIRING HARNESES (CONTINUED)

INDEX	PART NUMBER	DESCRIPTION
1	1679000	HARNESS - 5 MOTOR TRAY
2	1679001	HARNESS - 10 MOTOR TRAY
3	7219007	HARNESS - CAB.DC
4	7219002	HARNESS - COMP.
5	7219030	HARNESS - CAB/AC
6	7219018	HARNESS - POWER CORD TO PANEL
7	7219031	HARNESS - MONETARY AC
8	7219000	HARNESS - 24V POWER
9	1579008	CABLE RIBBON - 16 CONDUCTOR
10	1599009	HARNESS - 6 TRAY CHANNEL
11	7219001	HARNESS - PCB TO DISPLAY
12	1579009	JUMPER - MONETARY DOOR SWITCH
13	1679054	HARNESS - "MDB" COIN & VAL.
14	1679053	HARNESS - SERIAL VAL.
15	1679052	HARNESS - MARS PULSE VAL.
16	7219011	HARNESS - DUMB COIN MECH
17	1679051	HARNESS - MAKA PULSE
18	7219012	ASSEMBLY - LIGHT SOCKET
19	7219013	HARNESS - LIGHT ASSEMBLY
20	1679005	FILTER - 120 V
21	7219021	HARNESS - INNER DOOR SWITCH
22	7219032	SOCKET ASSEMBLY-LIGHT & SOCKET
23	7219036	NOTE: IN PLACE OF HARNESES 7219036 AND 7219037, SOME INTERMEDIATE CONFIGURATIONS USE A SINGLE HARNESS (7219033) BETWEEN FILTER 1679005 AND LIGHT & STARTER SOCKETS 7219032, AND BETWEEN FILTER 7219033 AND THE BALLASTS.
24	7219037	
25	1679050	HARNESS - EXEC. COIN - LONG
26	4279001	JUMPER - 230V - TRANSFORMER PRI
27	6849015	JUMPER - POWER SW
-	1477156	JUMPER ASSEMBLY - MOTOR REVERS (NOT SHOWN)
-	1579032	HARNESS - SERIAL VALIDATOR - 24V (NOT SHOWN)
-	1579034	HARNESS FOR BA30/32SA**"MDB"*** (NOT SHOWN)
-	1579050	HARNESS**MDB**FOR CONLUX 2000 (NOT SHOWN)
-	1599011	HARNESS - 7 TRAY CHANNEL (NOT SHOWN)
-	1599011	HARNESS - 7 TRAY CHANNEL (NOT SHOWN)
-	9984094	GROUND WIRE - 14" (NOT SHOWN)
-	9989718	JUMPER - VALIDATOR - 24V (NOT SHOWN)
-	9989776	POWER CORD - 14AWG - OUTDOOR - 115 V (USA) (NOT SHOWN)
-	9989777	POWER CORD - EURO - OUTDOOR (FRANCE/GERMANY) (NOT SHOWN)

Model 721 Parts Manual

TABLE 50. BAG ASSEMBLY B7210000 - USA

PART NUMBER	DESCRIPTION	QTY
WD721000	W.D. - OUTDOOR SNACK - 115V	1
1472222	COIN BLOCK (SEE FIGURE 4)	1
1477015	ROLL - PRICE DOLLARS	2
1477071	PACKAGE ASSEMBLY - PRODUCT PUSHER	1
1477083	RETAINER - SPIRAL - WALL	10
1577047	LABEL - ITEM LETTERS - A0 - A9	1
1577048	LABEL - ITEM LETTERS - B0 - B9	1
1577049	LABEL - ITEM LETTERS - C0 - C9	1
1577050	LABEL - ITEM LETTERS - D0 - D9	1
1577051	LABEL - ITEM LETTERS - E0 - E9	1
1577052	LABEL - ITEM LETTERS - F0 - F9	1
7210001	SETUP AND OPERATION MANUAL	1
7210010	MODEL 721 PROGRAMMING GUIDE	1

TABLE 51. BAG ASSEMBLY B7210005 - CANADA/AUSTRALIA/NEW ZEALAND/SINGAPORE

PART NUMBER	DESCRIPTION	QTY
WD721001	W.D.-OUTDOOR SNACK-115V	1
WD721002	W.D.-OUTDOOR SNACK-230V	1
1470041	PLASTIC BAG	1
1477015	ROLL-PRICE DOLLARS KB	45
1477071	PACKAGE ASSY-PRODUCT PUSHER	
1477083	RETAINER-SPIRAL-WALL	10
1577047	LABEL-ITEM LETTERS-A0-A9	1
1577048	LABEL-ITEM LETTERS-B0-B9	1
1577049	LABEL-ITEM LETTERS-C0-C9	1
1577050	LABEL-ITEM LETTERS-D0-D9	1
1577051	LABEL-ITEM LETTERS-E0-E9 KB	1
1577052	LABEL-ITEM LETTERS-F0-F9 KB	1
2360036	BAG PACKING	1
7210001	SETUP&OPERATION MANUAL-OUTDO	1
7210010	PROGRAMING GUIDE-OUTDOOR SNA	1
9989822	CLIP-TRAY HARNESS	6

Model 721 Parts Manual

TABLE 52. BAG ASSEMBLY B7210002 (FRANCE/GERMANY/SWEDEN/KUWAIT/LEBANON)

PART NUMBER	DESCRIPTION	QTY
WD721002	W.D. - OUTDOOR SNACK - 230V	1
1477071	PACKAGE ASSY - PRODUCT PUSHER	
1477083	RETAINER - SPIRAL - WALL	10
1477123	PRICE ROLL - 0 TO 25 - U.K./GER/ EA	40
1577047	LABEL - ITEM LETTERS - A0 - A9	1
1577048	LABEL - ITEM LETTERS - B0 - B9	1
1577049	LABEL - ITEM LETTERS - C0 - C9	1
1577050	LABEL - ITEM LETTERS - D0 - D9	1
1577051	LABEL - ITEM LETTERS - E0 - E9	1
1577052	LABEL - ITEM LETTERS - F0 - F9	1
2360036	BAG PACKING	1
7210001	SETUP AND OPERATION MANUAL	1
7210010	MODEL 721 PROGRAMMING GUIDE	1

TABLE 53. BAG ASSEMBLY B7210003 (U.K.)

PART NUMBER	DESCRIPTION	QTY
WD721002	W.D. - OUTDOOR SNACK - 230V	1
1472273	PRICE ROLL - UK - 1L/10L,40P/95P EA	5
1472274	PRICE ROLL - UK - 1L/10L,8P/35P	40
1477071	PACKAGE ASSY - PRODUCT PUSHER	-
1477083	RETAINER - SPIRAL - WALL	10
1572205	ROLL - PRICE - UK - 36P TO 62P +FR EA	10
1572206	ROLL - PRICE - UK RANGE:63P TO 9 EA	5
1575083	COIN CHUTE & BRACKET ASSEMBL EA	1
1575086	INSTR.SHEET - COIN CHUTE & BRK EA	1
1577061	LABEL - ITEM LETTERS - A0 - A9 - U.K EA	1
1577062	LABEL - ITEM LETTERS - B0 - B9 - U.K EA	1
1577063	LABEL - ITEM LETTERS - C0 - C9 - U.K EA	1
1577064	LABEL - ITEM LETTERS - D0 - D9 - U.K EA	1
1577065	LABEL - ITEM LETTERS - E0 - E9 - U.K EA	1
1577066	LABEL - ITEM LETTERS - F0 - F9 - U.K EA	1
1577067	LABEL - ITEM LETTERS - G0 - G9 - U.K EA	1
2360036	BAG PACKING	1
7210001	SETUP AND OPERATION MANUAL	1
7210010	MODEL 721 PROGRAMMING GUIDE	1

Model 721 Parts Manual

