



MODELS
TRC-6800H ASIC
TRC-6800H ASIC / AUDIT

IntelliTrac Series™
 Single Price Coin Changers
 Installation and Operation Guide

GENERAL INFORMATION

Changer Package

The changer (FIGURE 1) should be stored in its original shipping carton when not in use. This carton must be used when shipping the changer for repair or exchange purposes.

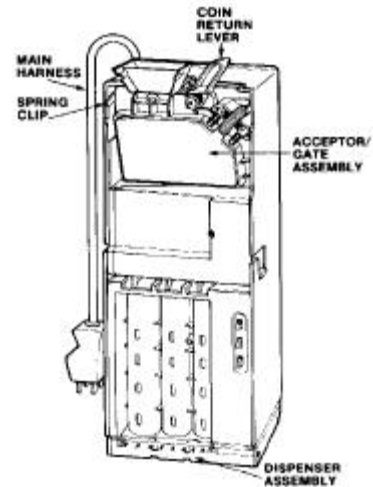
Power Requirements

115VAC +/- 20 Volts, 60 Hz
 0.05 Amp continuous, 1.2 Amp Peak (when dispensing coins)

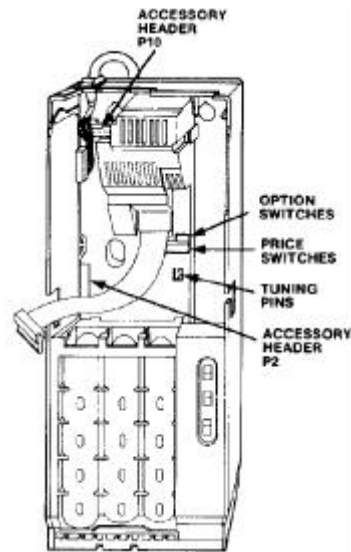
Features

Designed for use in electromechanical vendors, Models TRC-6800HA and TRC-6800HAA features:

- U.S. only or U.S./Canadian Coin Acceptance
- Nickel, dime, quarter acceptance with switch programmable dollar coin accept/reject
- Nickel, dime, quarter payout
- Vend price range - 5¢ to \$10.00
- Blocker LED
- High or Low Level Bill Validator Interface
- DEX/UCS Interface*
 * (TRC-6800H Audit only)



TRC-6800HA and TRC6800HAA
 Coin Changers
 FIGURE 1

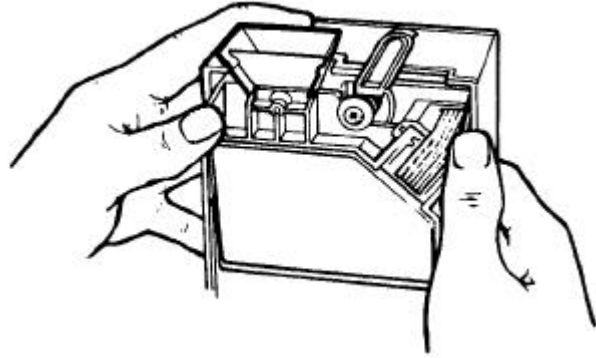


Control Board / Backplate Features
 FIGURE 2

INSTALLATION INSTRUCTIONS

Step 1: Lower Acceptor / Gate Assembly

Lower acceptor / Gate Assembly (FIGURE 3) by depressing both spring clips.



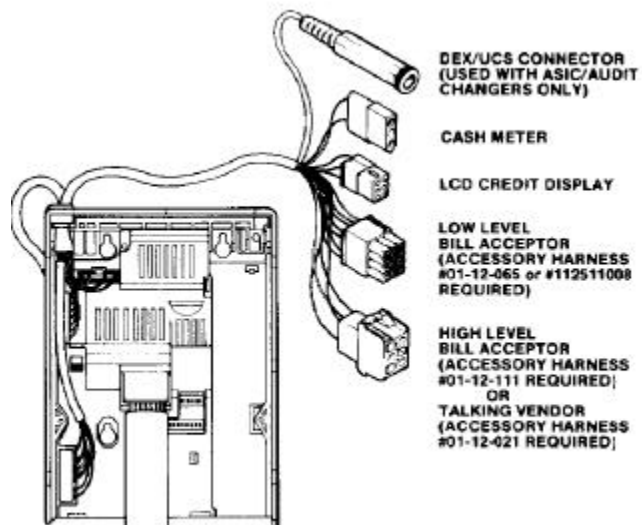
Lowering the Acceptor / Gate Assembly
FIGURE 3

Step 2: Install Accessory Harness

To use optional equipment with the TRC-6800H ASIC/AUDIT, Universal Accessory Harness #115416001 (FIGURE 4) is required. **(NOTE: This harness is factory installed on Model TRC-6800H ASIC/AUDIT).** Universal Accessory Harness #115416001 supports the following peripherals:

- Cash Meter
- LCD Credit Display
- High Level Bill Validator Interface
- Low Level Bill Validator Interface

(NOTE: Harness 200604003 is used on TRC-6800H and does not support Cash Meter or Credit Display)



Changer with Universal Accessory
Harness #115416001 Installed
FIGURE 4

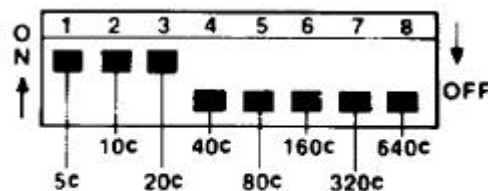
Step 3: Set the vend price

Vend price can range from 5¢ to \$10.00.

(NOTE: With all switches in the ON position, the price defaults to \$10.00).

The 8-position binary price switch (FIGURE 5) is located on the Control Board/Backplate Assembly. To set the desired, move the correct combination of switches using a retractable ball point pen or small screwdriver.

DO NOT USE A GRAPHITE PENCIL POINT.



Ex: Set for 35¢ Vend

Setting Price Switch
FIGURE 5

Step 4: Set Escrow Control and Option Switches

To set the switches, use a retractable ballpoint pen or screwdriver. **DO NOT USE A GRAPHITE PENCIL POINT.** For more information on the function of each switch, refer to Table 1.

TABLE 1: OPTION SWITCH FUNCTIONS

SWITCH	FUNCTION
Switch #1 (ON) \$1 COIN ACCEPT (OFF) NO \$1 COIN ACCEPT	Accepts Dollar Coins Does not accept dollar coins
Switch #2 (ON) U.S. / CANADIAN ACCEPT (OFF) U.S. ACCEPTANCE ONLY	Accepts US and Canadian coins Accepts US coins only
Switch #3 (ON) LOW 25¢ (OFF) HIGH 25¢	Stores 6 quarters for change Stores 69 quarters for change
Switch #4 (ON) HIGH LEVEL BILL ACCEPTOR (OFF) LOW LEVEL BILL ACCEPTOR or NO BILL ACCEPTOR	AC/High level pulse bill acceptor interface 115 VAC inputs, 9-pin connector & Power Plug interconnect Low level pulse bill acceptor interface +5 VDC, 9- and 18-pin connectors
Switch #5 (ON) NO ESCROW RETURN (OFF) ESCROW RETURN	No escrow return allowed (no monies are returned and credit is held until a vend is completed) Escrow return allowed (escrow mode dependent on switch 6)
Switch #6 (ON) ESCROW TO SELECT (OFF) ESCROW TO VEND	ETS (Escrow to Select) For cigarette venders or four-price venders (set to vend on one price only). Coin return can be requested at any time prior to making a selection, or if the selection is sold out. Use on TRC-6800's with CIGARETTE SWITCH installed. ETV (Escrow to Vend) For standard single price venders. Coin return can be requested at any time prior to reaching vend price.

Step 5: Install Changer in Vender

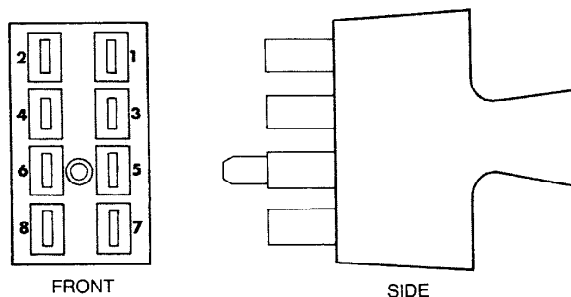
Adjust the vender mounting screws to stand off a minimum of 1/8". Align the changer access holes with the mounting screws. (See Figure 2) Tighten all screws to secure the changer in place. Changer must be vertical to within ±3".

Step 6: Close the Acceptor

Press the Acceptor / Gate Assembly back into housing until spring clips engage.

Step 7: Apply Power

Connect the changer power plug (FIGURE 5) to the vendor power source. Position or clamp the Main Harness clear of the Coin Cup and Coin Return Lever.



Changer Power Plug

FIGURE 5

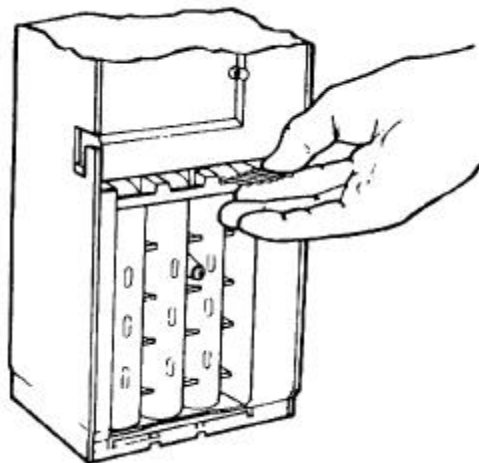
Step 8: Fill Coin Tubes

Fill the coin tubes to the desired levels by inserting coins into the loading slots located on the Coin Tube Front. (See Figure 6)

Minimum coin tube levels are:

- 6-8 Nickels
- 7-8 Dimes
- 5-6 Quarters

NOTE: Minimum quarter tube level (5-6 quarters) required for dollar coin acceptance.



Filling the Coin Tubes

FIGURE 6

CHECK ALIGNMENT

Check that:

- ✓ Changer is flush against vender wall.
- ✓ Coin Insert chute is aligned above center of Coin Cup.
- ✓ Changer reject and cash box chutes are aligned with vender reject and cash box chutes.
- ✓ Vertical alignment is within $\pm 3^\circ$.

Inspect coin return alignment. Vender Coin Return Lever should fully depress changer Coin Return Lever but not touch when released.

INSTALLATION INSTRUCTIONS

Operate each manual switch in sequence for 1-2 seconds.

Insert coins and request escrow return. Replace coins in coin tubes.

Test vend at the set price, utilizing coins of all denominations. Make sure that the proper change is paid back. Replace dispensed coins in coin tubes.

CHANGER IS NOW READY FOR OPERATION

CLEANING

CLEANING THE ACCEPTOR ASSEMBLY

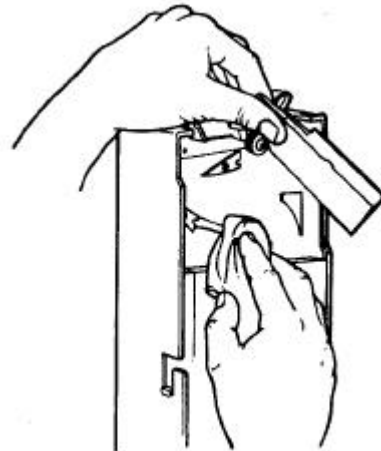
The coin ramp and the back of the Acceptor lid should be kept clean at all times.

Wipe clean using a damp cloth. (See Figure 7)

For problem cleaning, dampen the cloth with water and mild soap.

NOTE:

Do not use solvents, steel wool, scouring pads or a metal bristle brush. Do not spray with any type of lubricant.



Cleaning the Acceptor Assembly
FIGURE 7

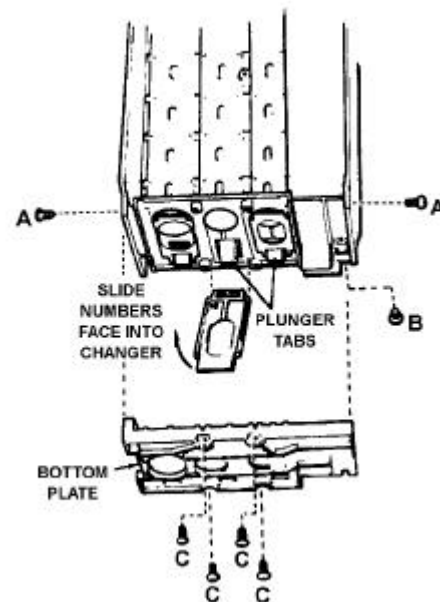
CLEANING THE DISPENSER ASSEMBLY

To clean the Dispenser Slides, detach the Bottom Plate by removing the 7 Phillips head screws: 4 screws (C) on the bottom of the changer, 1 screw (A) on each side, and a recessed screw (B) on the back. (See Figure 8)

Lift out the Bottom Plate and Individual Slides. Clean with a mild soap solution.

NOTE: Do not spray with any type of lubricant.

To replace, set the Slides on the Bottom Plate with the 5¢, 10¢ and 25¢ numbers facing up into the changer. Align link arms with the slots in each slide and seat the assembly. Replace the screws.



Cleaning the Dispenser Assembly
FIGURE 8