

# CAN VENDERS

## MODELS

- C8S - , C8, C12-00
- C8S - , C8, C12-01
- C8S - , C8, C12-02
- C8S - , C8, C12-03
- C8S - , C8, C12-04
- C8S - , C8, C12-05
- C8RS, C8R, C12R-00

ROCK-OLA MFG. CORP. 313 SO. ROXBURY RD. (BRY. 53)

ADDISON. ILLINOIS 60101

(708) 629-9200 TELEEX 910-221-2716

FAX 708-628-0019

This manual applies to all models of the C8 and C12 series of Cold Can Vendors. The information contained in the manual explains the operation and servicing of the Serpentine, Single Price Vendor.

Schematics are included in this manual and for your added convenience, a second copy is attached to the Inner Front Door.

Refer to the service section before removing or adjusting any components in this unit.

#### UNPACKING INSTRUCTIONS

Uncrate the can vendor and check condition for damage that may have occurred during shipping.

Remove all masking tape from front of vender and from inside of vend opening and vend door.

Keys and lock barrel are shipped in coin return opening. Instructions for installing and operating front door lock are attached to front door.

Remove masking tape from cash box and corrugated pad and tape from inner door.

#### OPERATING INSTRUCTIONS

Install coin mechanism of your choice. Acceptable chargers are listed on label by manufacturers and their part number.

Set coin mechanism to desired price per can (Single Price only).

Put corresponding price label on Front Door Casting next to "Deposit Coins" label.

The pushbuttons are designed as Display Windows that exhibit the beverage sold from each column.

A Sold-Out Neon Light shows thru Pushbuttons when a column is empty.

"Use Correct Change" lite appears above Coin Slot.

Plug line cord into 120V AC grounded outlet only. Outlet must be three prong type to accept grounding prong on cord.

Ground type adapter plugs are not recommended.

#### LOADING INSTRUCTIONS

**IMPORTANT:** Check all can stops must be in unlatched position.

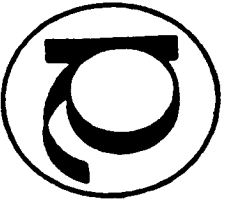
Load cans as shown on loading instructions Column #1 must match Selection Button can #1 etc.

Cans can be stored on the Vend Column and under Delivery Chute for pre-cooling. Use these cold cans first if column is sold-out.

#### RECOMMENDED CLEANING

1. Use a "Single Service" disposable towel to wipe up any leakage inside Refrigerated Cabinet.
2. Empty condensate container and remove all foreign matter. Use a "Single Service" disposable towel with a bactericidal solution to wipe down inside and outside of condensate container.
3. Wipe the cabinet base with a "Single Service" disposable towel. Wipe dry with a clean soft cloth.
4. Wipe the inside of the Can Delivery Chute and Can Delivery Housing with a clean soft cloth.
5. The outside face of door and cabinet should be wiped off with a damp "Single Service" disposable towel to remove finger prints, dirt and any spillage. Wipe dry with a clean soft cloth.
6. The face of the condenser must be clean for efficient operation.  
Clean with a brush or a vacuum cleaner.

1



# PROFIT through SIMPLICITY

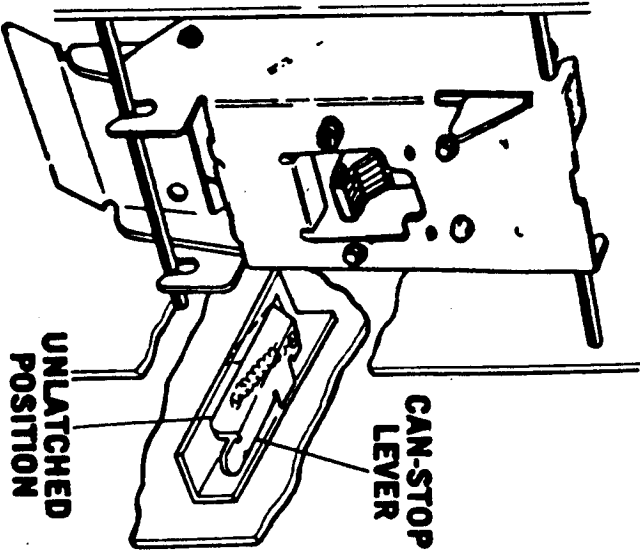


## PREPARING THE MACHINE FOR ACTION

After the Vender has been uncrated and found to be in good condition, it is ready to be plugged into a regulation 2 pole, 3 wire grounding outlet rated 15 Amp., 120 Volts 60 Hz.

### IMPORTANT:

Before loading each column, make sure each Can Stop Lever is in the unlatched position.

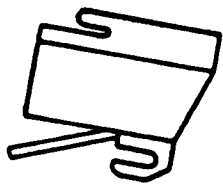


2

## SOLD-OUT SWITCH



Block Letters refer to the wiring diagram

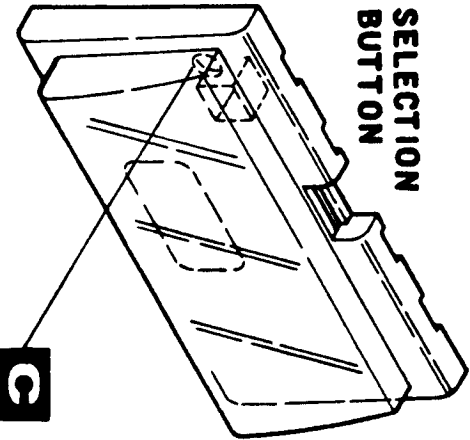


Each column has a DPDT Sold-Out Switch which disconnects its vend solenoid and lights the neon lamp in the Selection Button.

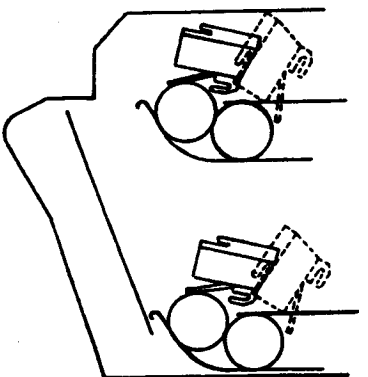
With no cans in any column, all Sold-Out Switch levers are suspended; this causes all coins to be returned.

See wiring diagram #2

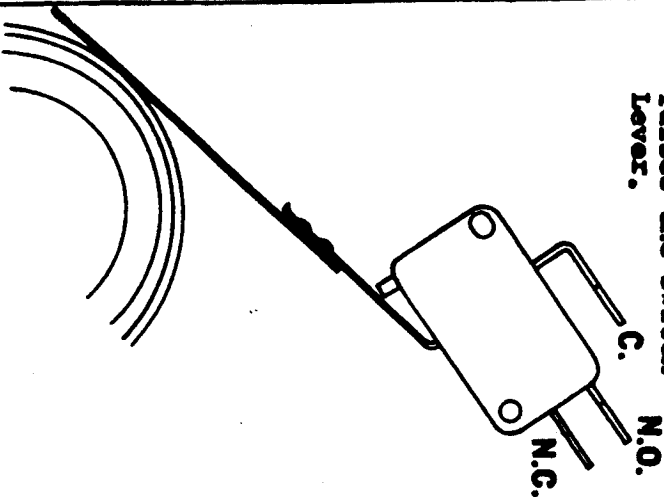
## SELECTION BUTTON



3

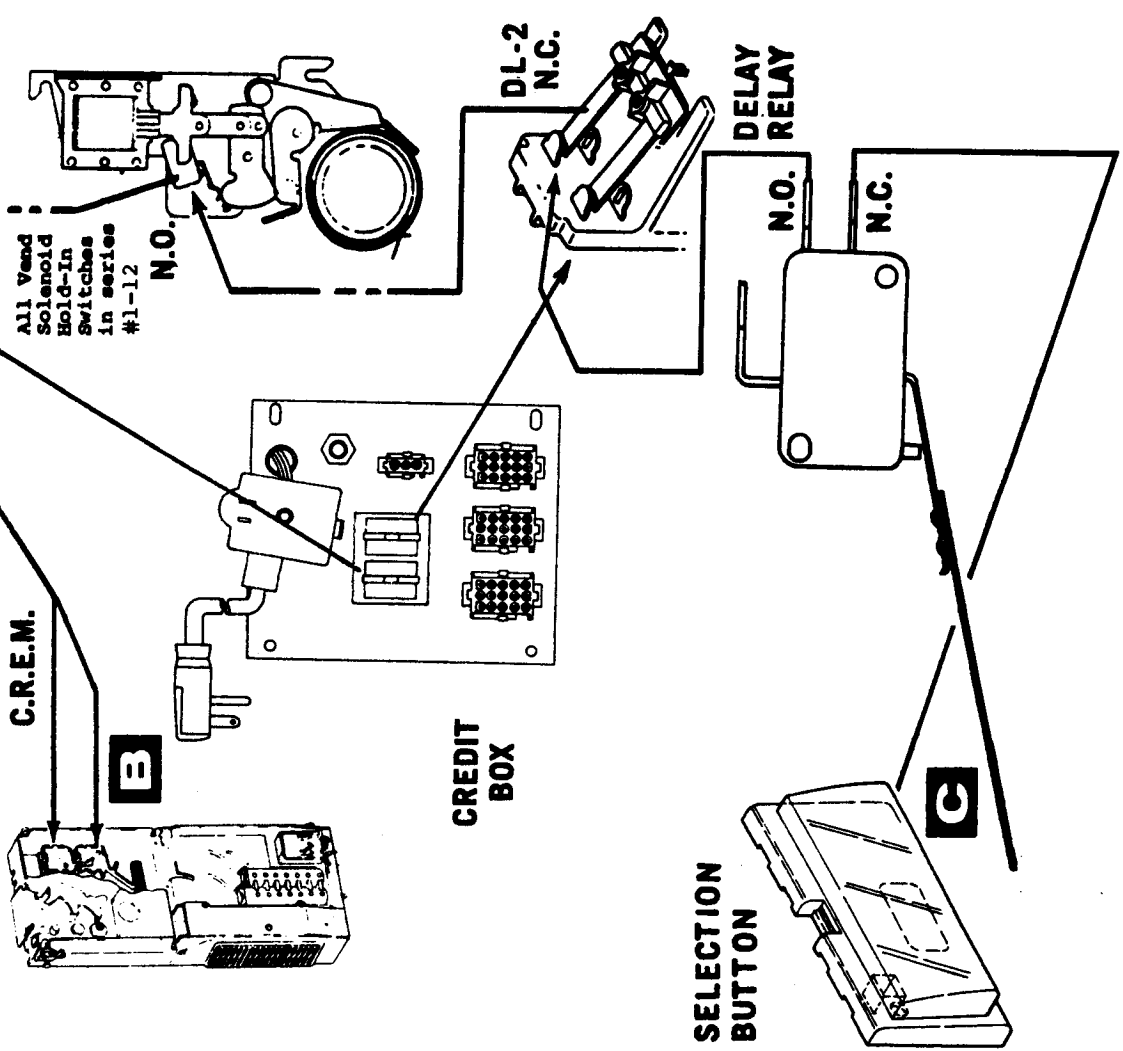


When loaded, bottom can in each column raises the Switch Lever.

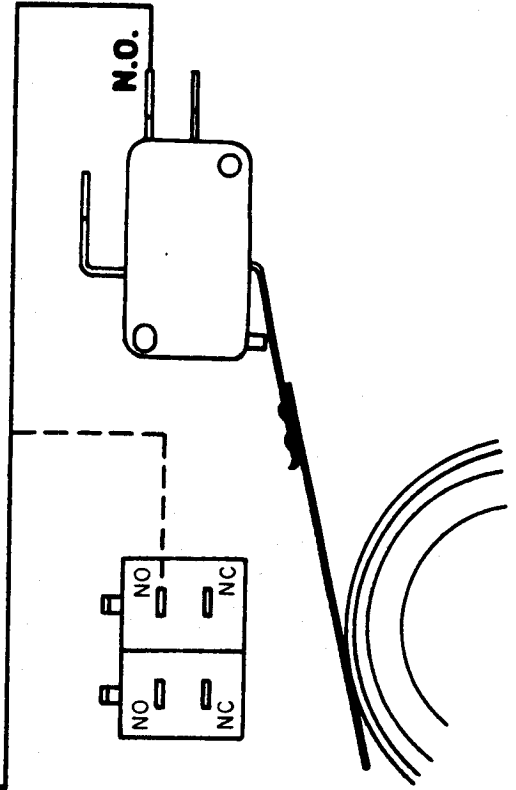
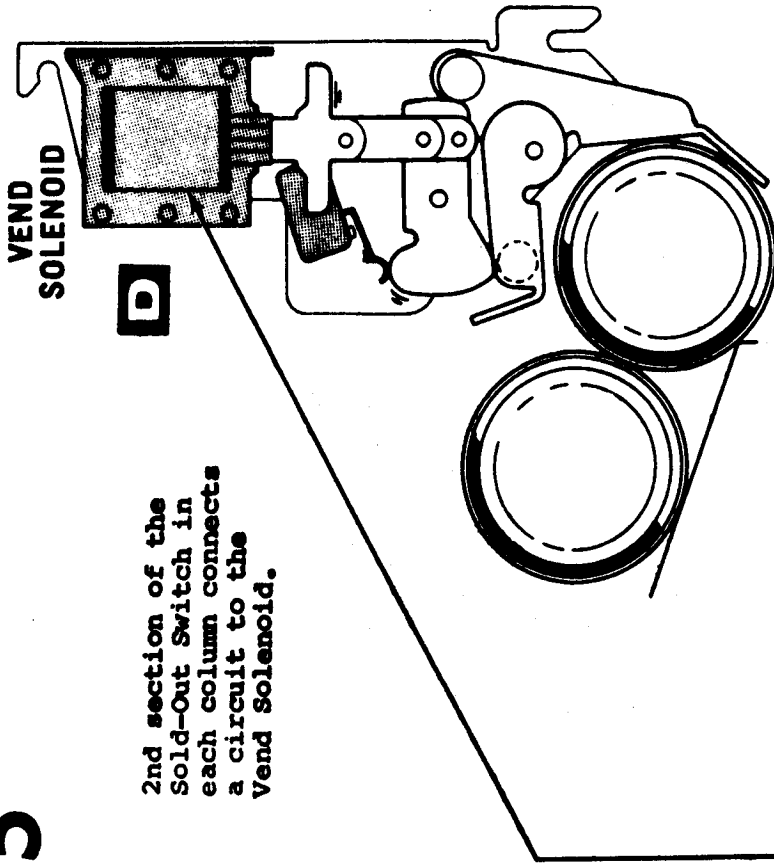


The Sold-Out Switch contacts transfer and place the machine in the "standby" mode. See wiring diagram #3

**4** 1st section of the Sold-Out Switch(es) turns off the Display Window Neon Lamp and energizes the Changer C.R.E.M.s via Relay Contacts DL-2, all of the Vend Column Hold-In Sw's, and CR-1. The machine will now accept coins. See wiring diagram #4



**5**



## HOW THE CAN VENDER OPERATES

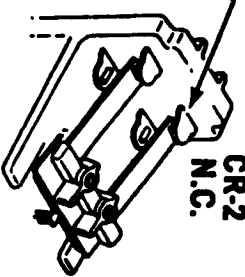
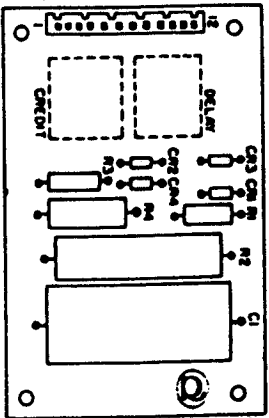
At machine standby, the 110 MFD Capacitor is charged to about +85 VDC via the N.C. Contact (CR-2) of the Credit Relay.

When total deposited coins reach the sale price, vend Switch "E" energizes the Delay Relay "F" in the Credit Box (and optional counter if installed). See wiring diagram #3 page

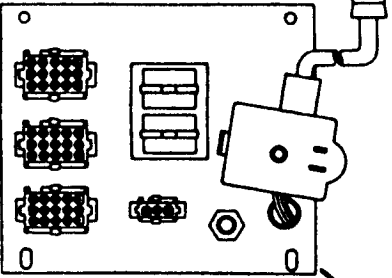
Delay relay contacts DL-1 and DL-2 transfer. See wiring diagram #4

Note: Delay and Credit relays are plug-in type and interchangeable.

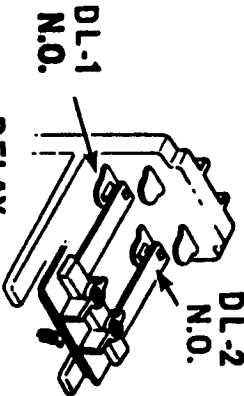
### TIME DELAY ASSEM.



CR-2  
N.C.  
CREDIT RELAY



CREDIT BOX



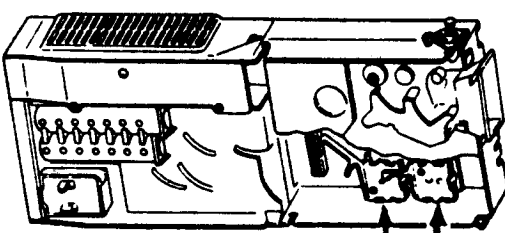
DL-1  
N.O.  
DELAY RELAY

DL-2  
N.O.

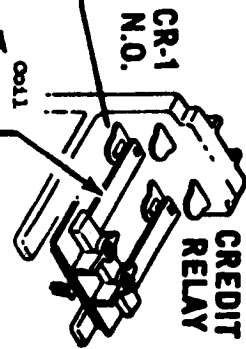
## 7

DL-1 energizes the Credit Relay "G"  
DL-2 disconnects the changer C.R.F.M.s;  
coins are now returned

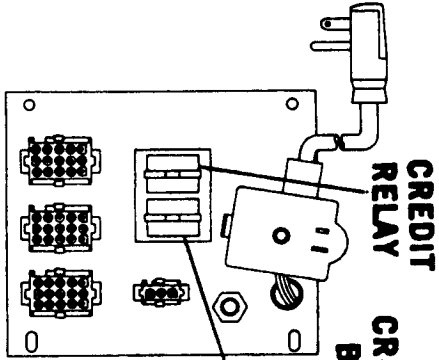
Credit Relay Contacts CR-1 and CR-2 transfer. See wiring diagram #5



C.R.F.M.

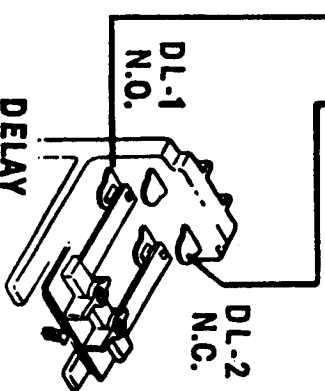


CR-1  
N.O.  
CREDIT RELAY



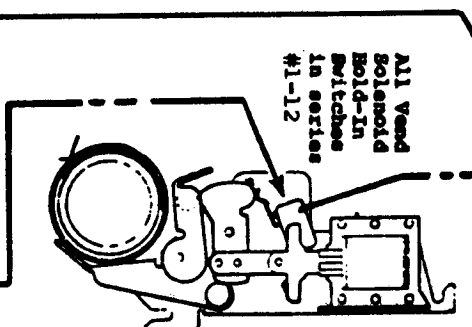
CREDIT RELAY

CREDIT BOX



DL-1  
N.O.  
DELAY RELAY

DL-2  
N.O.

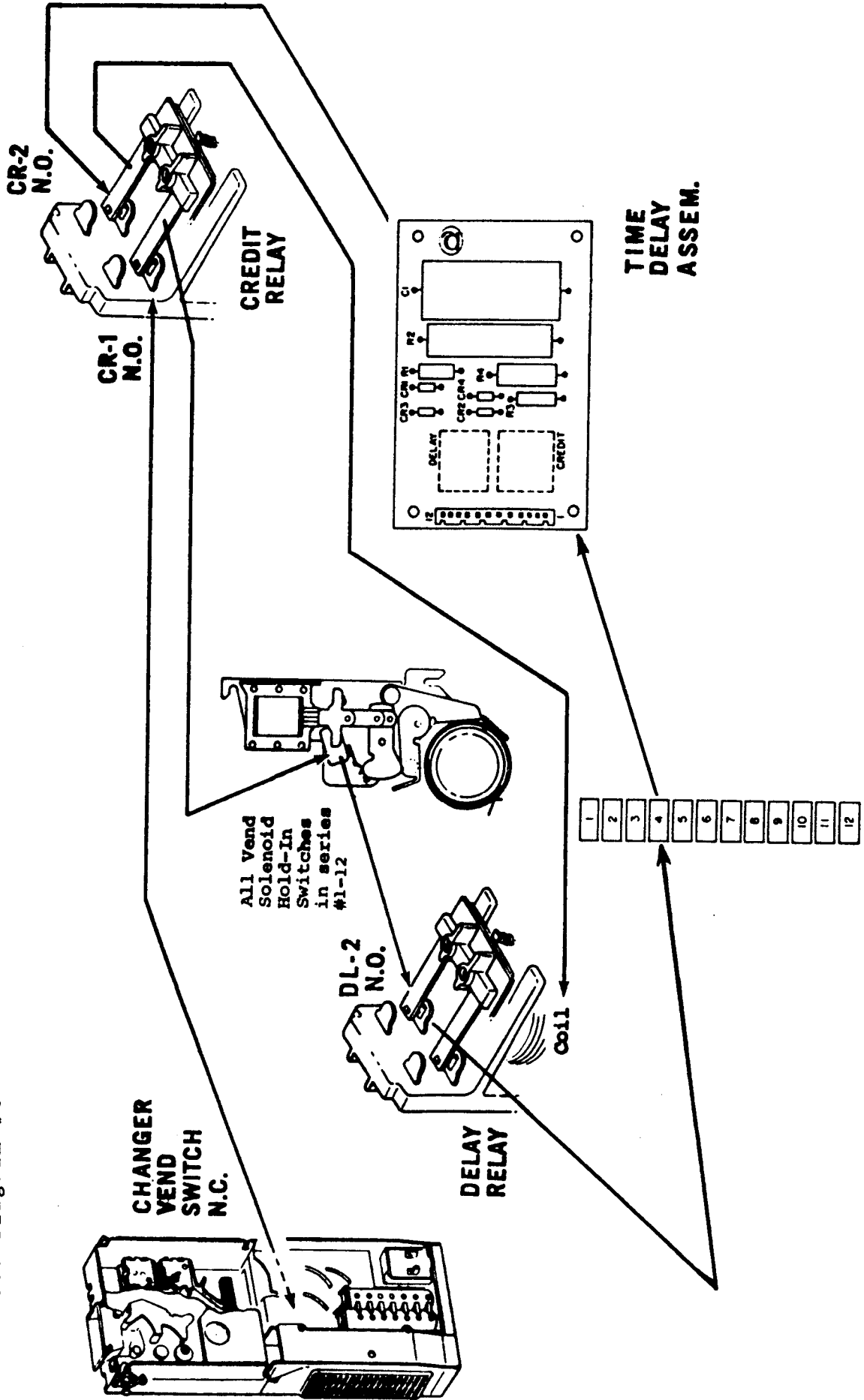


All Vend Solenoid Sold-In Switches in series #1-12

After the sequential operation of the two relays, the changer returns Vend Switch "E" to its N.C. position.

This creates a holding circuit to the Delay Relay Coil via CR-1, all of the series connected Vend Solenoid Hold-In Switches, DL-2, all of the Push-Button Switches, and CR-2. Thus the Delay and Credit Relays are held-in, and the charge on the capacitor is maintained. A selection may now be made.

See diagram #6



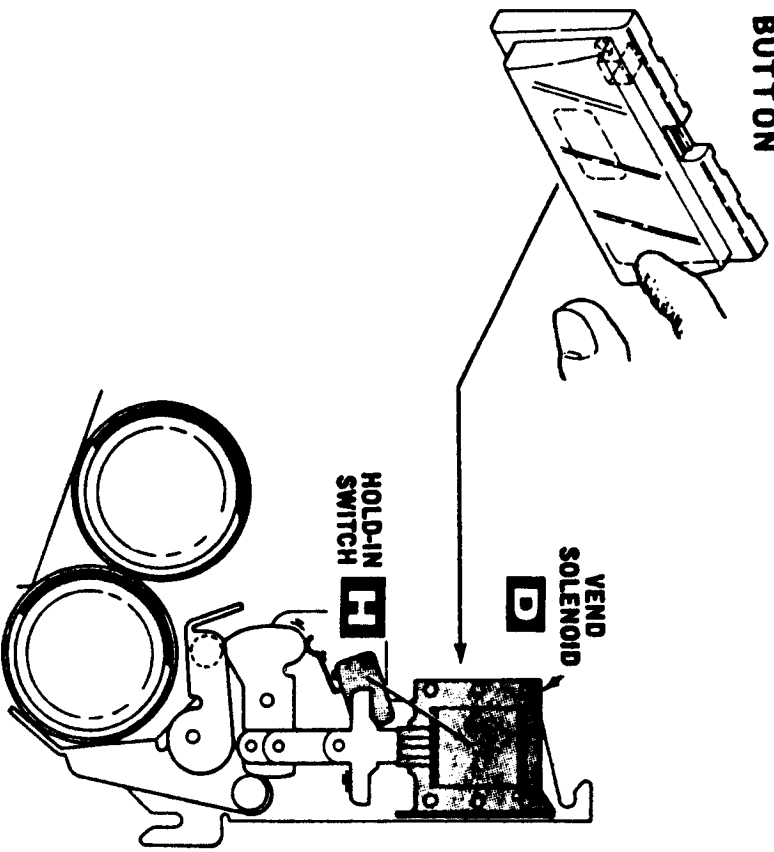
PUSH BUTTON WINDOWS

When a selection is made, the actuated Selection Button Switch energizes the Vend Solenoid "D" and interrupts the current to the Delay Relay coil and the capacitor.

The Delay Relay now remains energized only by the capacitor discharge current; the Credit Relay remains energized via contact DL-1.

As the Vend Solenoid Armature advances, the Hold-In Switch "H" transfers. This latches the solenoid to the line and interrupts the circuit to all of the Pushbutton Switches.

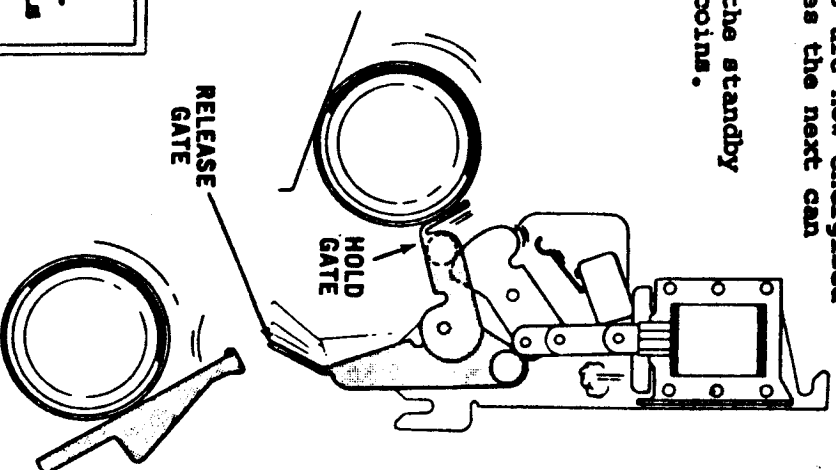
**SELECTION  
BUTTON**



Continued movement of Solenoid Plunger advances position of "hold" and "release" gates. The "release" gate permits bottom can to drop into Vend Chute.

After a short interval (3/4 sec.), the capacitor discharge current is too small to continue holding in the Delay Relay which now relaxes. This, in turn, causes the Credit Relay and the Vend Solenoid to relax. The changer C.R.E.M.s are now energized and the Hold Gate now releases the next can into the vend position.

The machine has returned to the standby mode and is ready to accept coins.



**A REMINDER:** Your Can Vender is a salesman. Keep it attractive, both inside and out. This will assure continued trouble free operation.

**REFRIGERATION SYSTEM REMOVAL.**  
**MODEL C8 and C12**

**STEP 1.**

Disconnect power source and remove inner door. Disconnect refriger. cable ("A") from the junction block mounted in the back of the Credit Box.

**STEP 2.**

Remove the Vend Chute ("B") (6 Screws).  
 Remove screw from main cable clamp located on left wall.

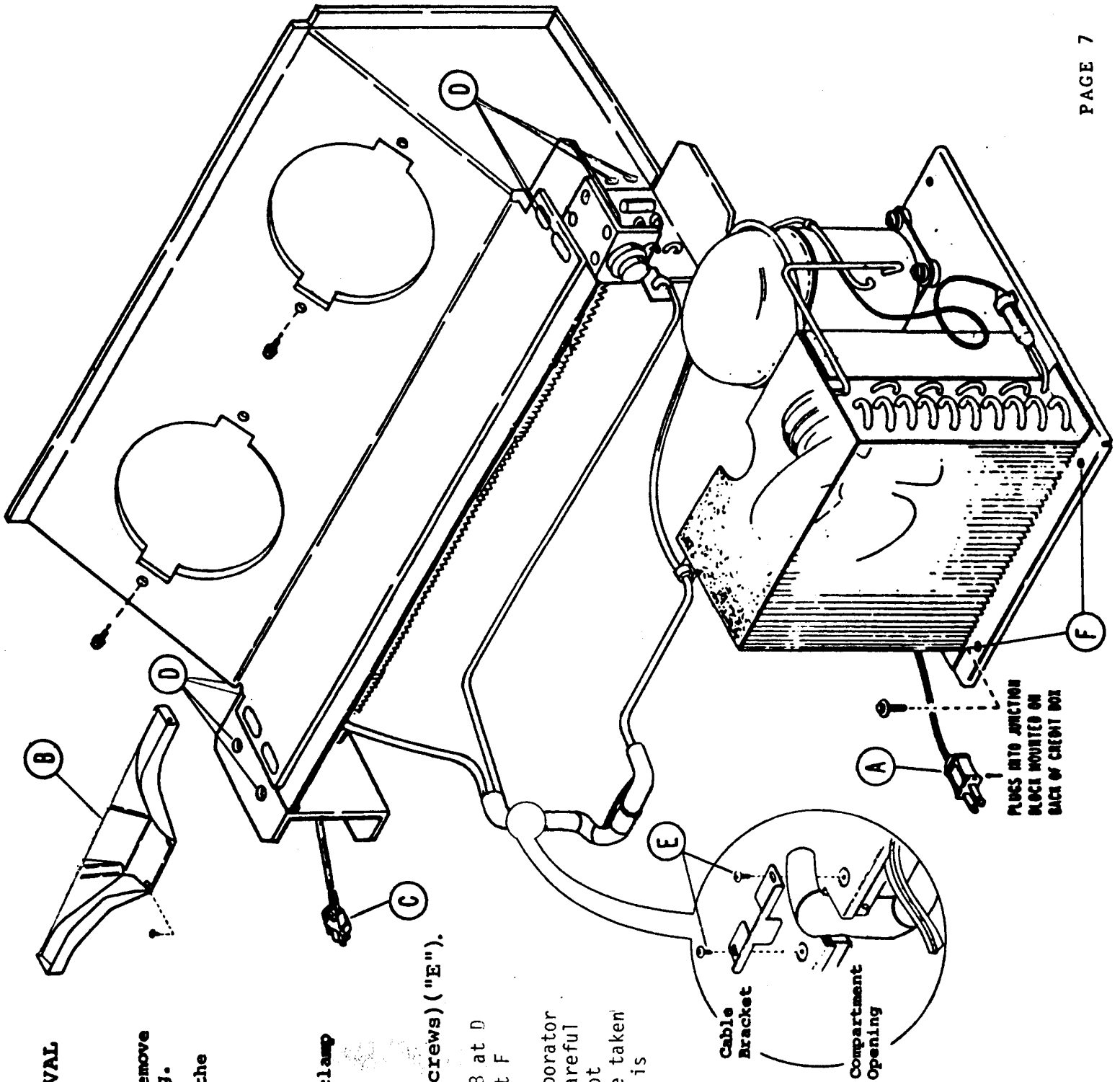
**STEP 3.**

Disconnect fan power ("C").  
 Remove Cable Bracket (2 Screws) ("E").

**Step 4.**

Remove the following screens 8 at D location, 2 at I location 2 at F location.

Use care when sliding the evaporator and condenser out. Be very careful that the copper tubing does not kink. The same care should be taken when the refrigeration system is installed.





# VEND MECHANISM REMOVAL

**STEP 1**  
Disconnect cable plug and remove cable from clamp.

**STEP 2**  
Lift up on Can-Stop Lever to hold remaining cans in column

**STEP 3**  
Raise Solenoid Plunger to release can in Vend position.

**STEP 4**  
Push down on Lock Lever and remove assembly from column.

**STEP 5**  
**IMPORTANT:**  
When Vend Mech is returned, Can-Stop Lever (Step 2) must be in the unlatched position to release cans to Vend position.

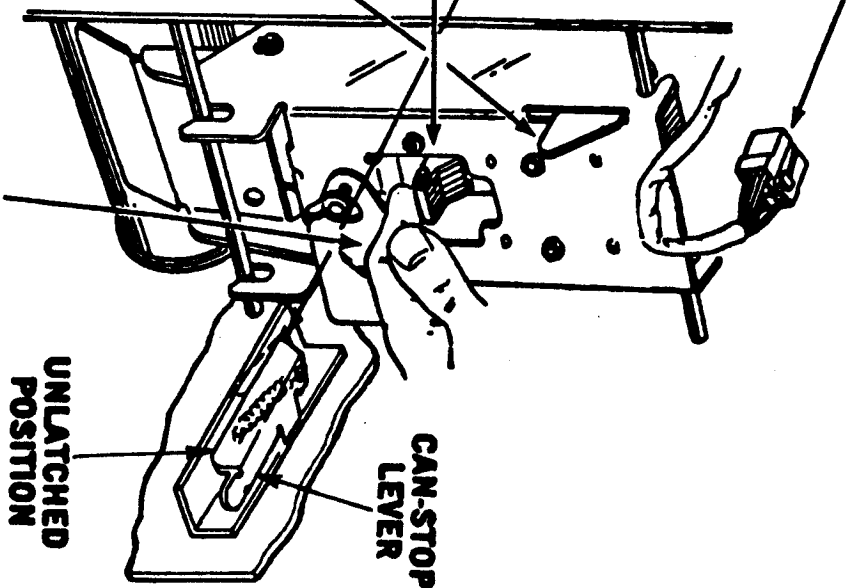
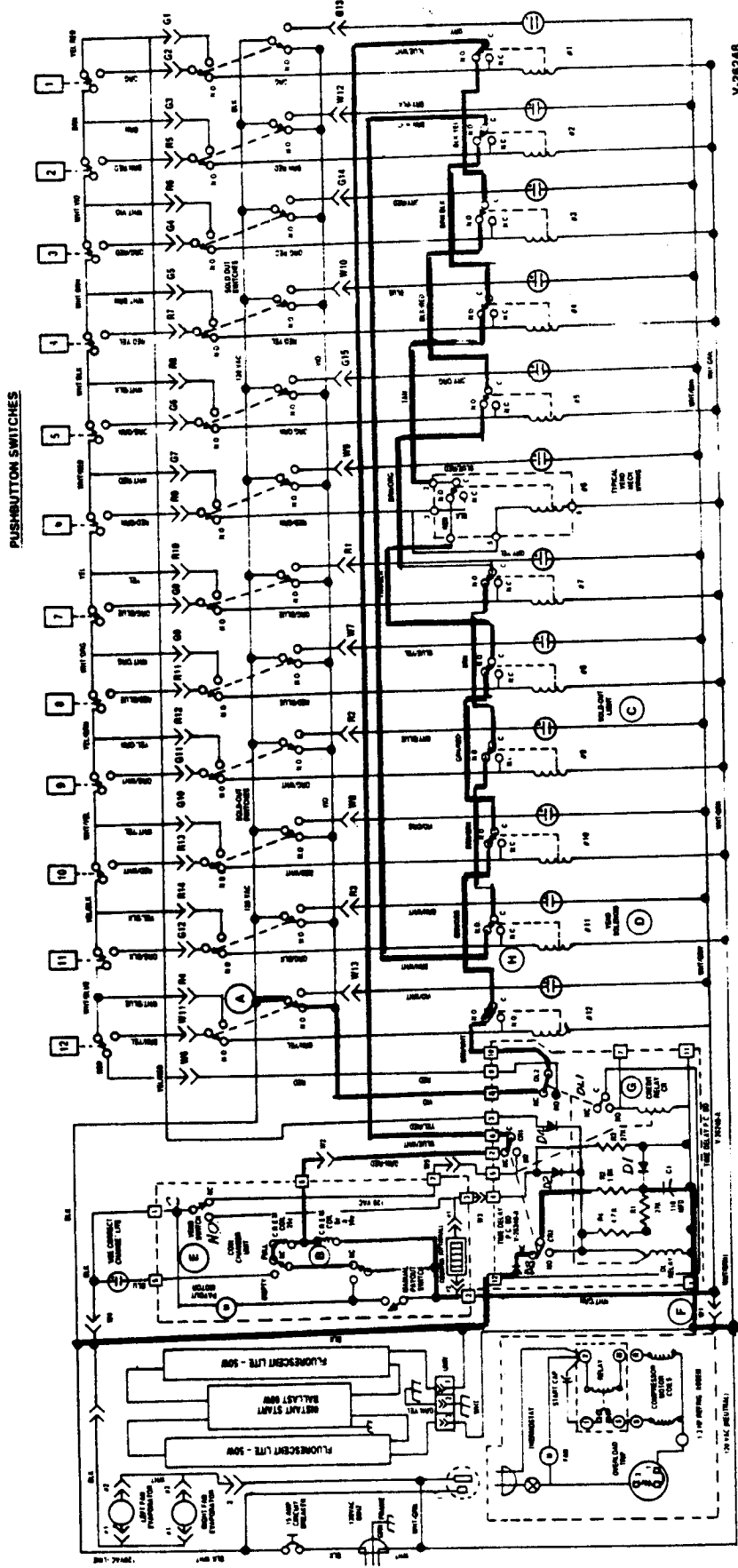


DIAGRAM #1

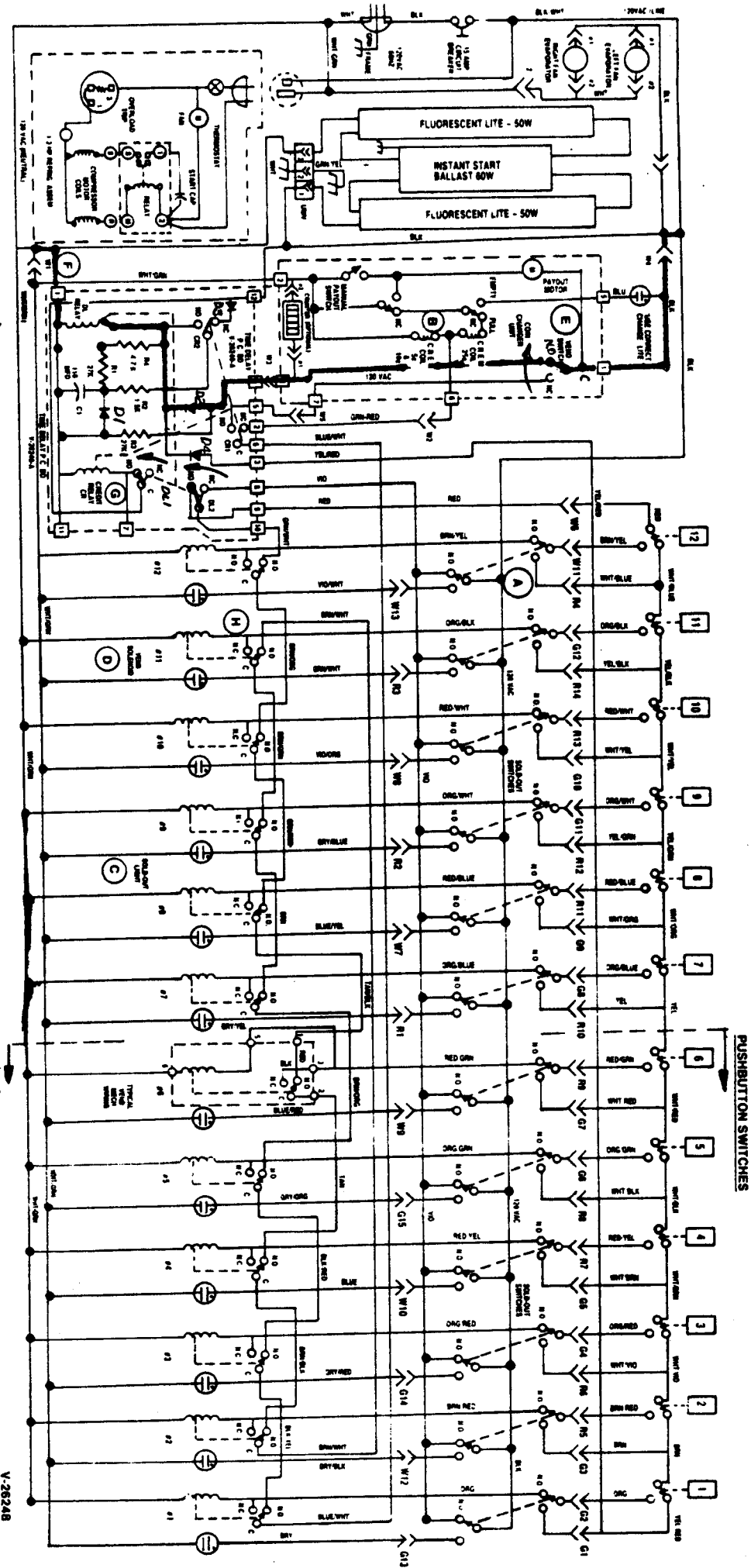
ROCK-OLA MANUFACTURING CORPORATION .C12  
 12 SELECTION COLD CAN VENDER  
 SINGLE PRICE COINAGE DOMESTIC 120 VAC 60HZ



CONDITION: MACHINE AT STANDBY, FULLY LOADED.  
 CHANGER CREM COILS ARE ENERGIZED  
 AND COINS ARE ACCEPTED.  
 CAPACITOR C1 IS KEPT CHARGED THROUGH  
 DIODE CR3 AND RESISTOR R2.

R, W & G DEMOTE RED, WHITE AND GREEN  
 STATION CONNECTORS BETWEEN DOCK

DIAGRAM # 2



R, W & G DENOTE RED, WHITE AND GREEN  
 STATION CONNECTORS BETWEEN DOCK

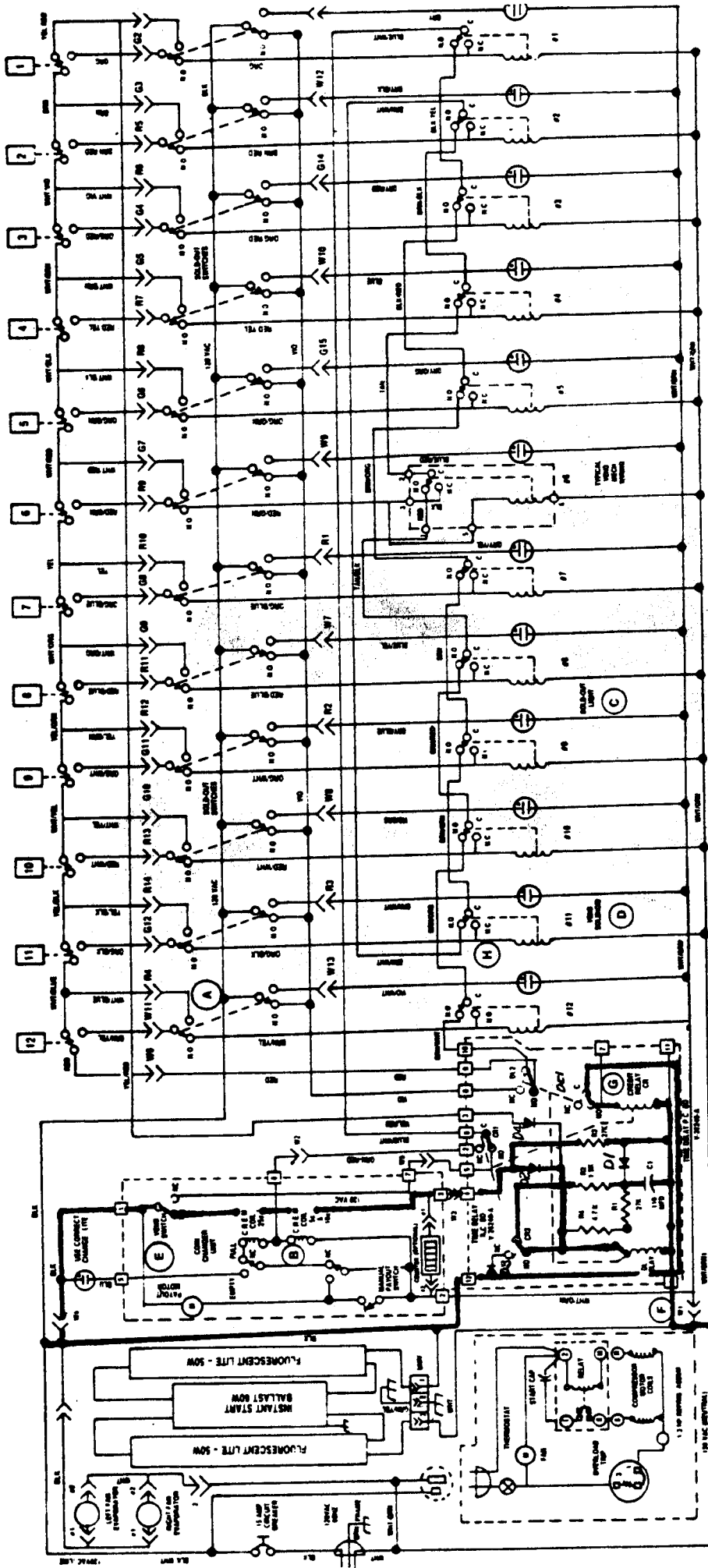
CONDITION: COINS ENTERED

SUFFICIENT COINS FOR A CREDIT ACTIVATE THE CHANGER VEND SWITCH MOMENTARILY THIS CAUSES THE DELAY RELAY TO ENERGIZE THROUGH DIODE CR2. AS SOON AS THE CONTACTS ON THE NORMALLY CLOSED SIDE OF DC2 BREAK, THE CHANGER CREWS LOSE POWER AND MACHINE RETURNS ALL COINS.

DIAGRAM #3

ROCK-OLA MANUFACTURING CORPORATION - C12  
 17 SELECTION COLD CAN VENDER  
 SINGLE PRICE COINAGE DOMESTIC 120 VAC 60HZ

PUSHBUTTON SWITCHES

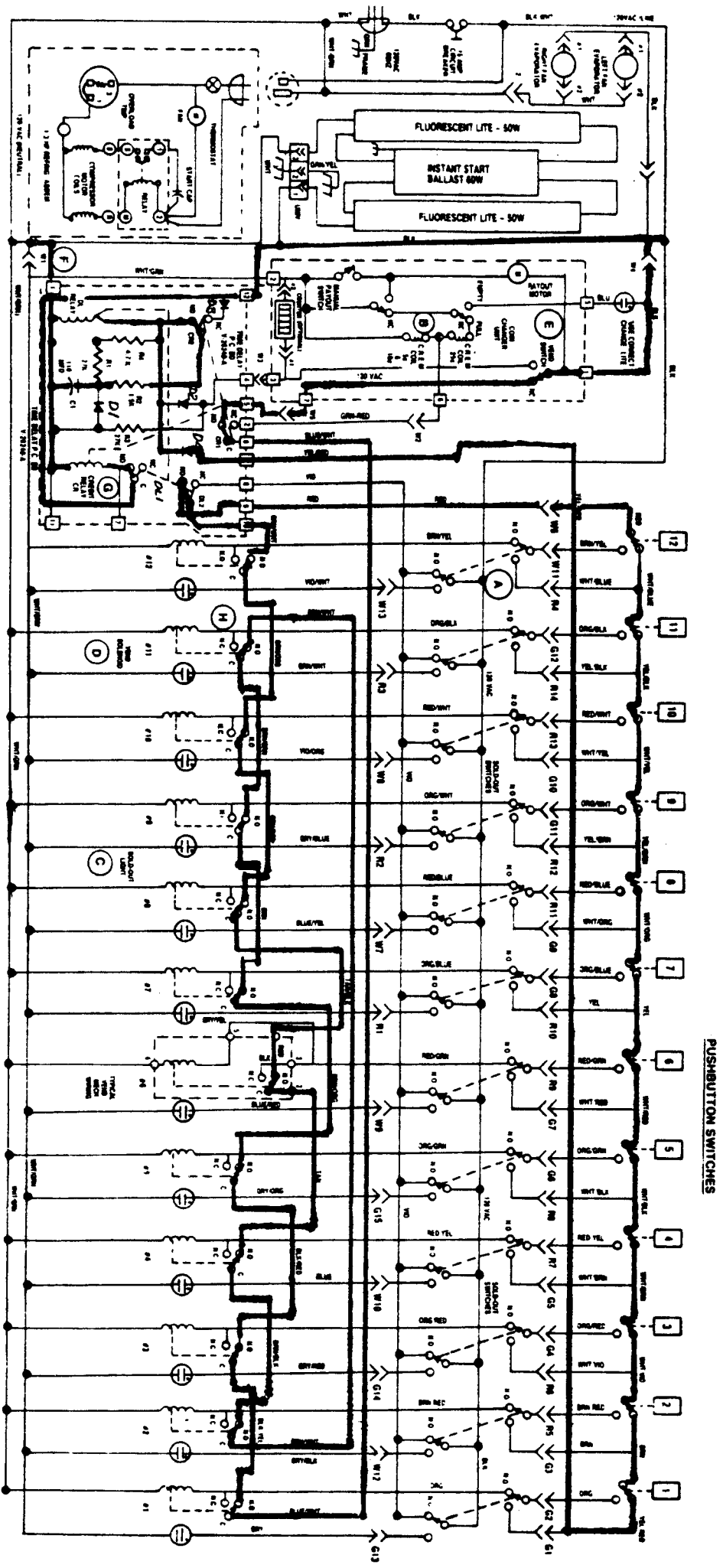


V-26248

CONDITION: CREDIT RELAY OPERATES  
 THE DELAY RELAY CONTACTS TRANSFER  
 TO THEIR NORMALLY OPEN POSITION  
 AND CAUSE THE CREDIT RELAY TO ENER-  
 GIZE VIA CONTACT DC1. ONCE THE  
 CREDIT RELAY CONTACTS TRANSFER TO  
 THEIR NORMALLY OPEN POSITION THE  
 DELAY RELAY COIL IS CONNECTED TO THE  
 RC NETWORK AND KEPT CHARGED THROUGH  
 DIODE CR2. (SELECTION KEYBOARD IS  
 STILL NOT OPERATIVE)

R, W & G DENOTE RED, WHITE AND GREEN  
 STATION CONNECTORS BETWEEN DOCK

DIAGRAM # 4



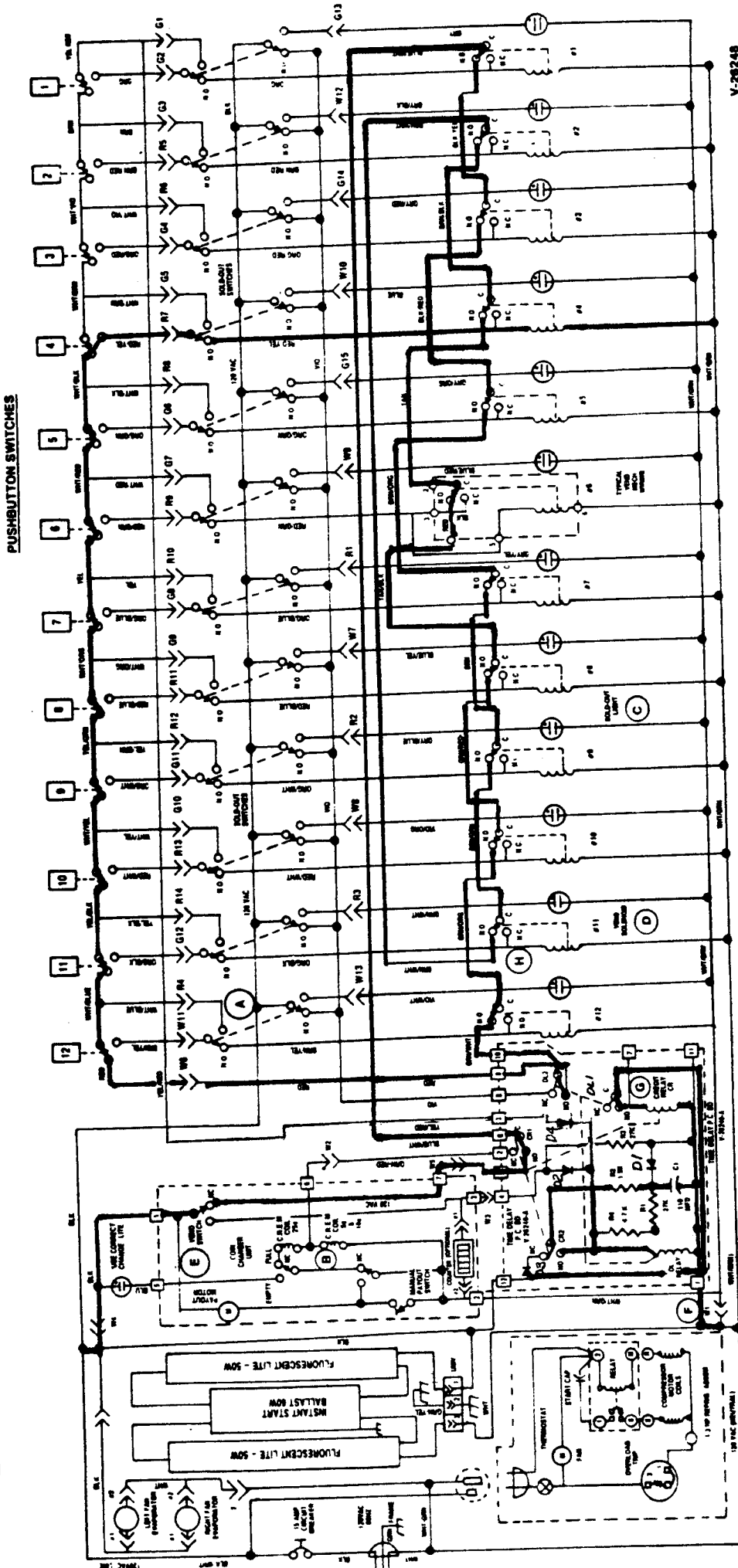
CONDITION: SELECTION KEYBOARD IS ACTIVATED

CHANGER VEND SWITCH RETURNS TO ITS  
 NORMALLY CLOSED POSITION AND SELEC-  
 TION KEYBOARD BECOMES OPERATIVE.  
 THE DELAY RELAY AND RC NETWORK ARE  
 HELD ENERGIZED VIA DIODE CR4. THE  
 CREDIT RELAY IS KEPT ENERGIZED BY  
 THE NORMALLY OPEN CONTACT OF DC1.  
 THIS CONDITION HOLDS INDEFINITELY  
 UNTIL A SELECTION IS MADE OR POWER  
 IS INTERRUPTED.

V-26248

DIAGRAM # 5

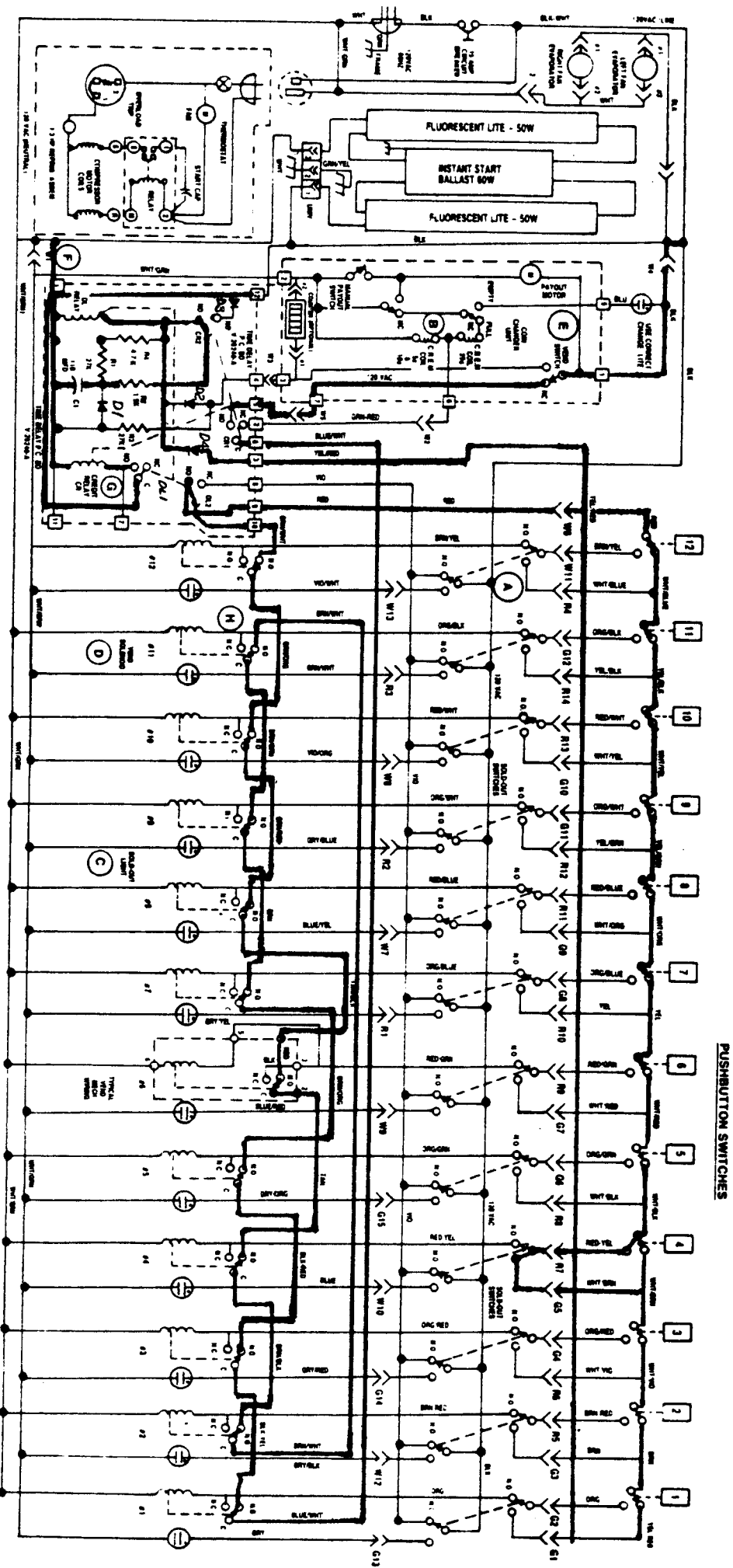
ROCK-OLA MANUFACTURING CORPORATION - 12  
 12 SELECTION COLD CAN VENDER  
 SINGLE PRICE COINAGE DOMESTIC 120 VAC 60HZ



CONDITION: SELECTION MADE-(USE #4 P.B. FOR EXAMPLE) VEND SOLENOID #4 ENERGIZES VIA PUSHBUTTON SWITCH #4 AND DISPENSES A CAN. THE VEND SOLENOID HOLD-IN SWITCH TRANSFERS AND LATCHES THE SOLENOID TO THE LINE VIA THE NORMALLY OPEN CONTACT OF CR1 AND THE CHANGED VEND SWITCH. THE PUSHBUTTON KEYBOARD IS DE-ACTIVATED AND R.C. NETWORK CHARGE CURRENT IS INTERRUPTED. THE DELAY RELAY IS HELD IN BY THE CAPACITOR DISCHARGE CURRENT.

R, W & G DENOTE RED, WHITE AND GREEN STATION CONNECTORS BETWEEN DOCK

DIAGRAM # 5A

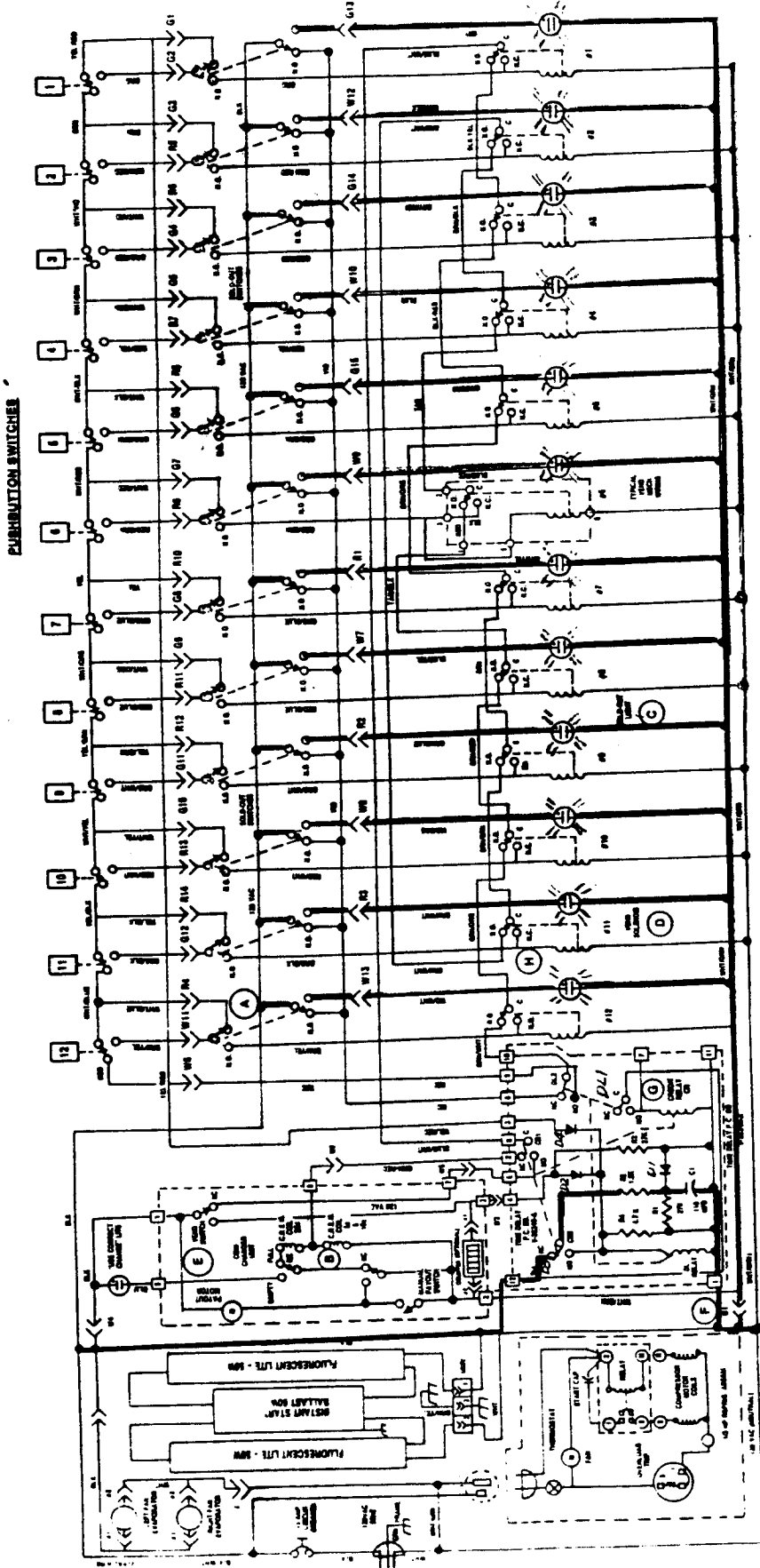


R, W & G DENOTE RED, WHITE AND GREEN  
 STATION CONNECTIONS BETWEEN DOCK

CONDITION: SELECTION MADE ON A SOLD-OUT COLUMN  
 (USE #4PB AS AN EXAMPLE) WITH #4 PUSHBUTTON  
 DEPRESSED AND #4 COLUMN SOLD-OUT, THE #4 PUSH-  
 BUTTON IS BY-PASSED TO THE NEXT PUSHBUTTON (#3)  
 BY THE #4 SOLD-OUT SWITCH THE DELAY RELAY IS  
 MAINTAINED IN THE ENERGIZED STATE VIA DIODE CR4.  
 THE CREDIT RELAY CONTINUES TO BE ENERGIZED BY  
 (CONTACT DC1) AND CREDIT IS PRESERVED. THE  
 NORMAL VEND SEQUENCE #6 (SELECTION MADE) DOES  
 NOT BEGIN UNTIL A VALID SELECTION IS MADE.

DIAGRAM #6

ROCK-OLA MANUFACTURING CORPORATION — C12  
 12 SELECTION COLD CAN VENDER  
 SINGLE PRICE COINAGE DOMESTIC 120 VAC 60HZ

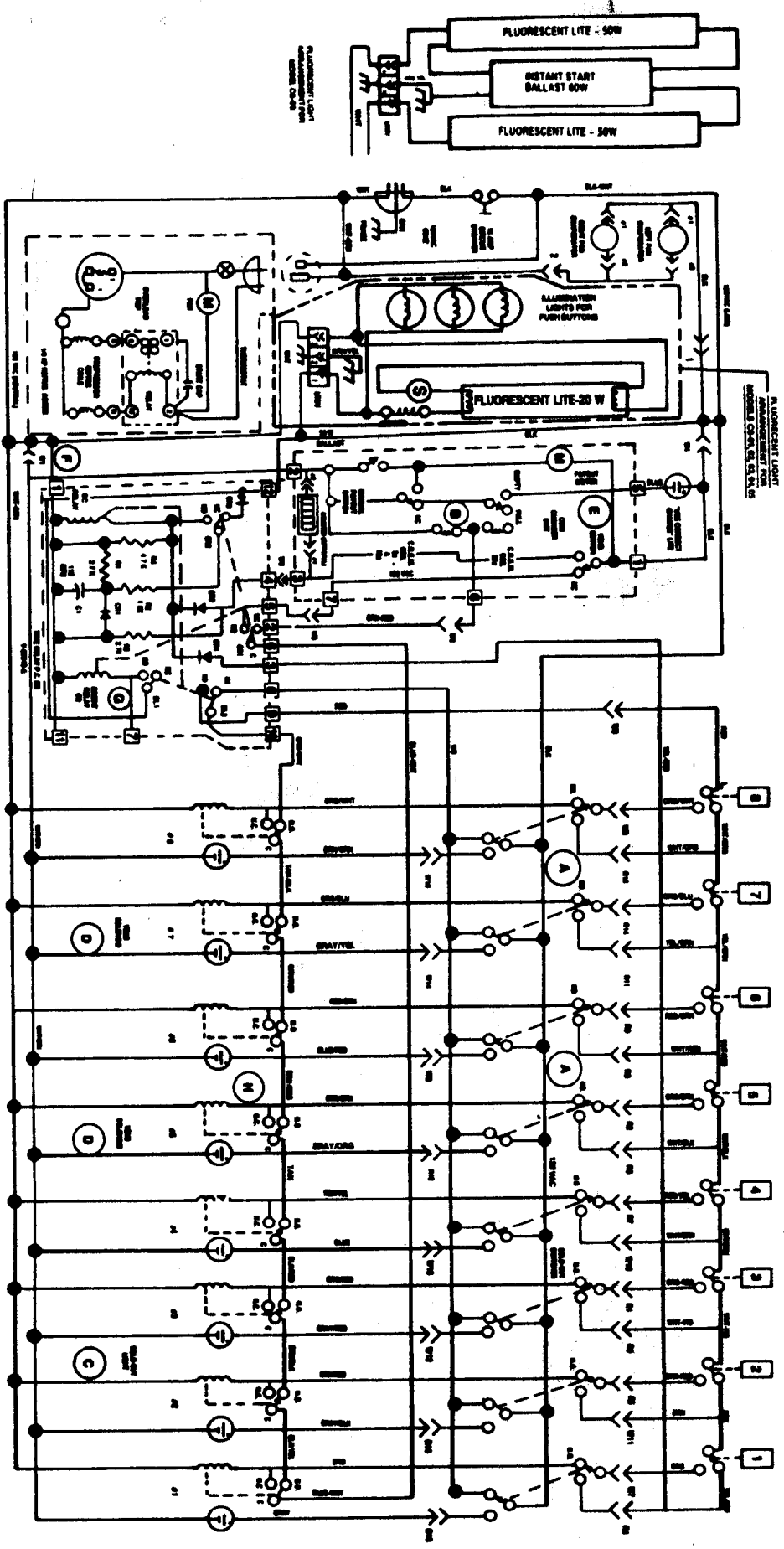


CONDITION: MACHINE SOLD OUT COMPLETELY-ALL  
 SOLD-OUT SWITCHES ARE TRANSFERRED TO THEIR  
 (NORMALLY CLOSED) POSITIONS. ALL SOLD-OUT NEON  
 LITES ARE ON. ALL VEND SOLENOID CONNECTIONS  
 FROM P.B. KEYBOARD ARE INTERRUPTED. CHARGE  
 CURRENT FLOWS TO RC NETWORK. ALL RELAYS ARE  
 RELAXED. CHANGER CREM COULS ARE DE-ENERGIZED-  
 MACHINE RETURNS COINS MACHINE REQUIRES SERVICE  
 CALL BEFORE OPERATION CAN RESUME.

R, W & G DENOTE RED, WHITE AND GREEN  
 STATION CONNECTORS BETWEEN DOCK



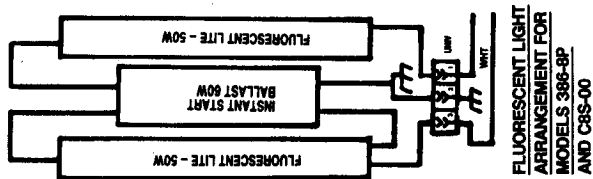
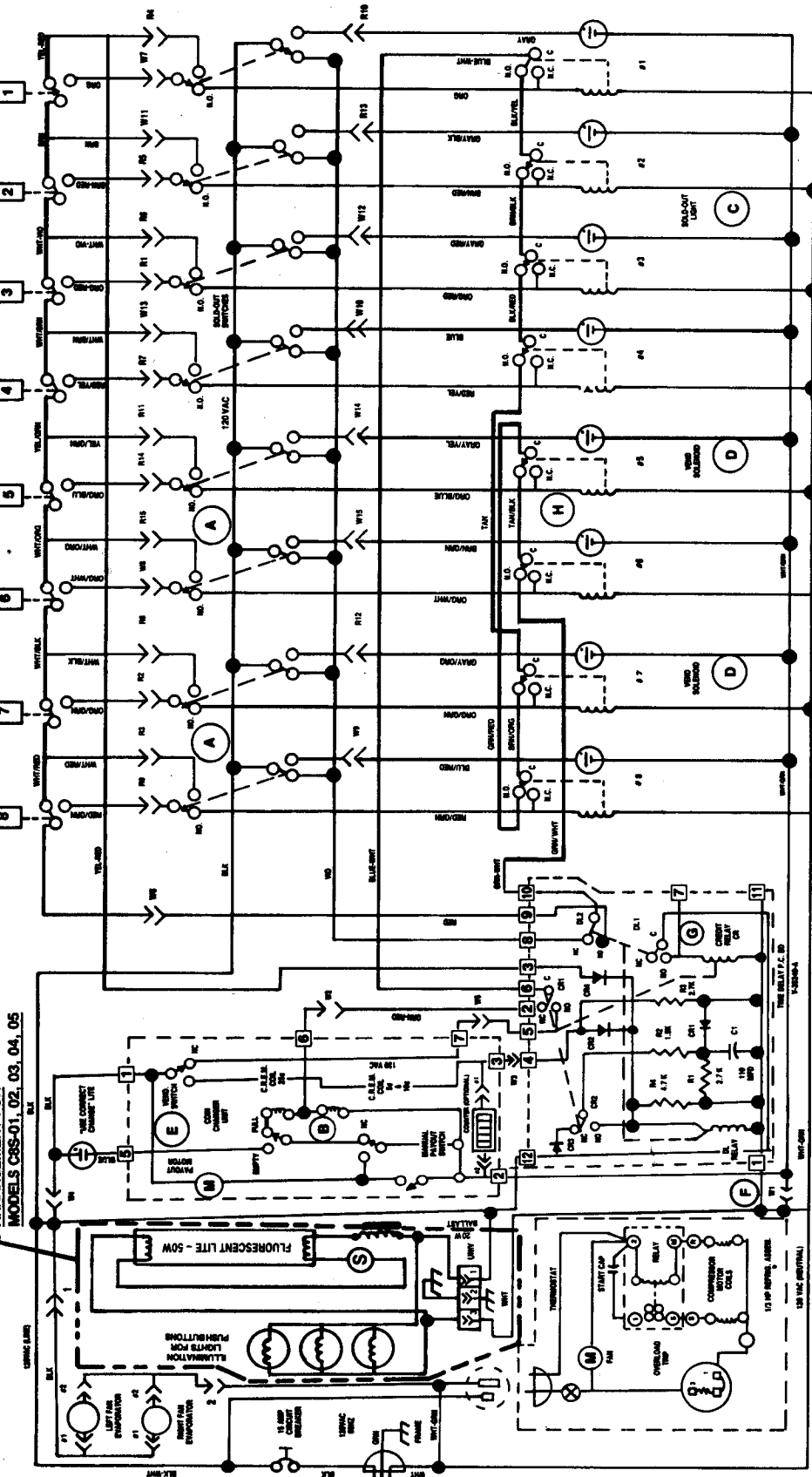
ROCK-O-LA MANUFACTURING CORPORATION - C8  
2 REFLECTION COOL CDM VESSEL  
SMOKE FINISH CONDUIT, 120 VAC 60HZ



CONDITION: MAKE-UP AT STANDARD, ANALYZED  
C.A.E.M. BRIDGES AND READY TO ACCEPT CODE  
S.A.W. REPORT AND, WHITE  
STAINLESS CONNECTION BETWEEN ROOM AND CABINET

ROCK-OLA MANUFACTURING CORPORATION - C8S  
 B SELECTION COLD CAN VENDER  
 SINGLE PRICE COINAGE DOMESTIC 120 VAC 60 HZ

FLUORESCENT LIGHT  
 ARRANGEMENT FOR  
 MODELS C8S-01, 02, 03, 04, 05



FLUORESCENT LIGHT  
 ARRANGEMENT FOR  
 MODELS 386-8P  
 AND C8S-00

CONDITION: MACHINE AT STANDBY, FULLY LOADED  
 C.R.E.M. ENERGIZED AND READY TO ACCEPT COINS.  
 R & W DENOTE RED, WHITE.  
 STATION CONNECTORS BETWEEN DOOR AND CABINET