

Coca Cola 2001

Royal Vendors is dedicated to providing
the highest level of customer service in the industry.



ROYAL VENDORS, INC
201 Industrial Boulevard
Kearneysville, WV 25430

Customer Service:
1 . 8 0 0 . 9 3 1 . 9 2 1 4
3 0 4 . 7 2 8 . 7 0 5 6

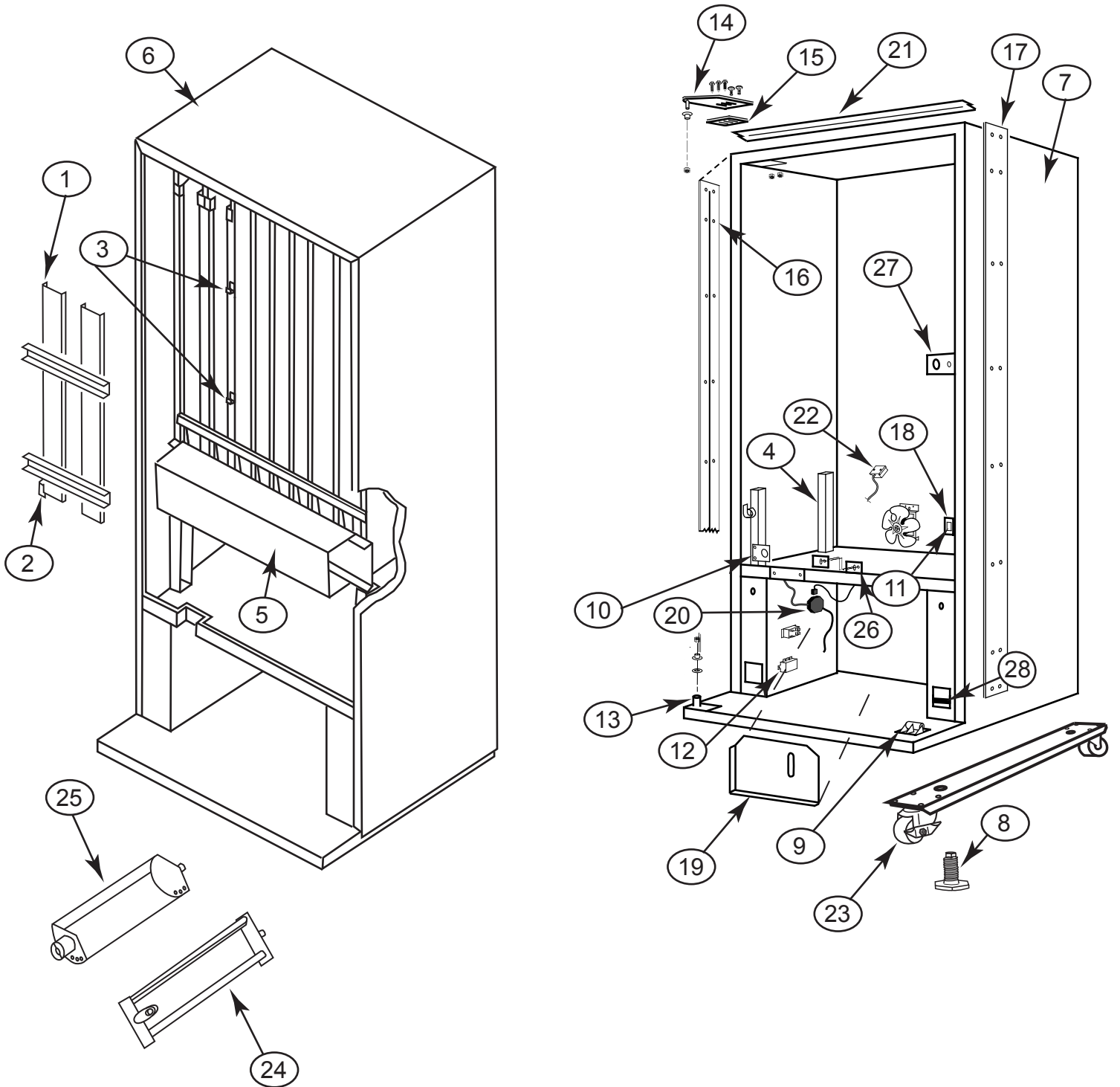
Volts / Hz	Countries	Code
240-50	UNITED KINGDOM	UK
110-60	CANADA	CA
220-50	FRANCE	FR
220-50	BELGIUM	BE
220-50	HOLLAND	NE
220-50	ITALY	IT
220-50	ISRAEL	IS
240-50	AUSTRALIA	AU
220-50	JAMAICA	JA
220-50	SOUTH AFRICA	SF
220-50	INDIA	II
220-50	IRELAND	IR
220-50	SPAIN	SP
220-50	PARAGUAY	PR
110-60	MEXICO	MX
220-60 / 110-60	BRAZIL	BR
220-50	CURACO	CU
220-50	CZECH REPUBLIC	CZ
220-50	DENMARK	DM
110-60	DOMINICAN REPUBLIC	DO
220-50	FINLAND	FL
220-50	GERMANY	GE
240-50	MALAYSIA	ML
240-50	N. IRELAND	NI
220-50	NORWAY	NO
220-60	PERU	PE
110-60	PANAMA	PN
220-50	SWEDEN	SW
110-60	VENEZUELA	VZ
220-50	CHILE	CI
220-50	ARGENTINA	AA



Table of Contents

Cabinets.....	1
Rear View of Vender.....	4
Stack.....	6
20 Plus Stack.....	8
Vend Mechanism Assembly.....	10
Vend Motor.....	12
Idler Bracket.....	12
Evaporator Fan.....	14
Chute.....	14
Refrigeration.....	16
Doors.....	18
Vandal Resistant Door.....	20
Tuff Guy / Steel Door CDC.....	23
Select Panel Assembly.....	25
Changer Vault.....	27
Door Accessories.....	29
Inner Door.....	31
Port.....	33
Outside of the Marketing Door.....	35
Inside of the Marketing Door.....	37
Shims.....	39
Harnesses.....	40
Accessories.....	41
Screws, Bolts, Washers, Etc.....	42
Conversion Kits.....	43
Manuals.....	43
Paint.....	44
Locks & Keys.....	44
Control Boards / Chips.....	44
Lamps & Accessories.....	45
Labels & Decals.....	45
Stack Accessories.....	46
Electronic Accessories.....	46
Trim.....	47
Door Accessories.....	47

Cabinets



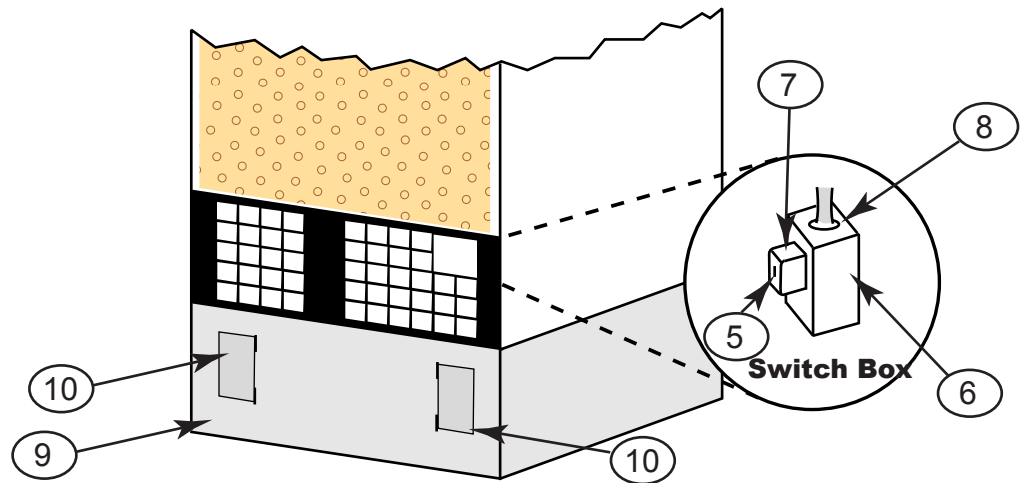
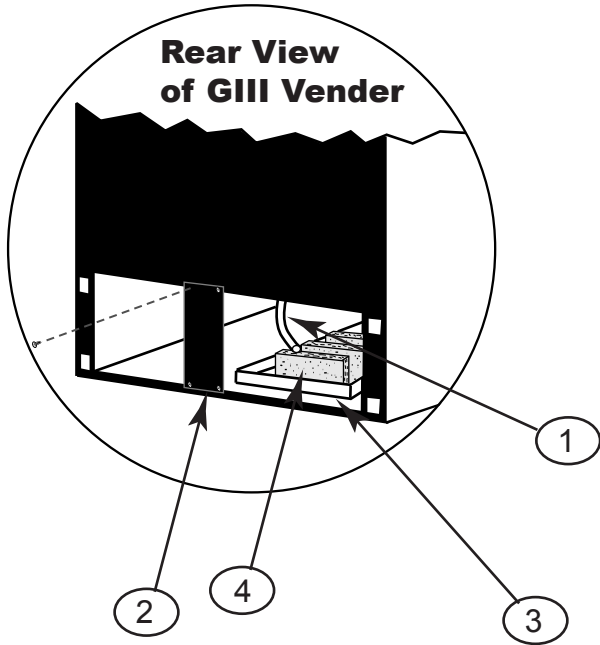
Cabinets

Item #	Part Name	Part Description	Code / Voltage	Royal Part #	Coke Part #
1	79" GATE W/A	6W/1N REGULAR		027710	541437
	79" GATE W/A	4W/4N REGULAR		010760	509180
	79" GATE W/A	4W/4N MERLIN		010910	
	79" GATE W/A (SMALL)	1W/9N MERLIN		015910	513578
	GATE W/A (SMALL)	3W / 3N MERLIN 72"		036910	
	79" GATE W/A (LARGE)	1W/9N MERLIN		015920	
	79" GATE W/A	1W/9N REGULAR		015720	503521
	79" GATE W/A 3-DEEP	6W/1N REGULAR		062710	
	72" GATE W/A	4W/4N WIDE REGULAR		011710	
	72" GATE W/A	4W/4N WIDE MERLIN		011910	
	72" GATE W/A	1W/9N WIDE REGULAR		016720	504714
	72" GATE W/A (SMALL)	1W/9N WIDE REGULAR		016710	
	72" GATE W/A (SMALL)	1W/9N WIDE MERLIN		016910	
	72" GATE W/A (LARGE)	1W/9N WIDE MERLIN		016920	
	72" GATE W/A 3-DEEP	4W/4N WIDE MERLIN		059910	
	MECH. GATE W/A	79"16OZ 3 DP CC-ALL REG ALL OTHER (609)		201720	
	MECH. GATE W/A	72"16OZ 3 DP CC-ALL REG ALL OTHER (510)		202710	
	MECH. GATE W/A	SMALL 9/10 SEL MERLIN 72" 3 DEEP		091910	
2	HEM CHANNEL CAP	ALL EXCEPT GII		815024	
3	LATCH	GATE		010725	
4	MECH SUPPORT	2 DEEP		010005	505068
5	VEND MOTOR COVER	WIDE & 3-DEEP		010029	504540
	VEND MOTOR COVER	NARROW		036003	
6	CABINET SHELL (FOAMED)	72" WIDE 2-DEEP (IDENTIFY COLOR)		011220	
7	CABINET SHELL (FOAMED)	72" GIII (IDENTIFY COLOR)		211001	
	CABINET SHELL (FOAMED)	72" WV MERLIN 4		257220	
	CABINET SHELL (FOAMED)	79" WV MERLIN 4		256250	
	CABINET ASSY 72" WIDE	MARKETING		291020	
	CABINET ASSY 79" WIDE			290020	
	CABINET ASSY 79" WIDE	20 PLUS		296010	
	CABINET BACK SCREEN			010215	
8	LEVELING LEG	#5/8-11		803002	542192
9	DOOR ROLLER KIT	ALL VENDORS		141180	510038
10	THERMOSTAT BRACKET W/A	ALL EXCEPT MERLIN III		010020	513105
11	SWITCH, BULL-NOSE PLUNGER	DOOR SWITCH (PRIOR TO RUN 1521)		835003	508810
12	EMI LINE FILTER	RUN 1290 AND AFTER GII		842061	508010
13	BOTTOM HINGE ASSY.	MAIN DOOR		010040	544257
	MAIN DOOR BOTTOM HINGE,	MARKETING		290010	
14	TOP HINGE	LEFT OF MAIN DOOR		810002	503560
15	TOP HINGE SPACER	DOOR		010016	509817
	TOP HINGE WASHER	2 PER ALL VENDING MACHINES		141589	
16	LEFT VANDAL PANEL	79" (SPEC. COLOR)RUN 1302 & BEFORE		010022	544259
	LEFT VANDAL PANEL	72" (SPEC. COLOR)RUN 1302 & BEFORE		011001	544249
	LEFT VANDAL PANEL	72" (SPEC. COLOR)RUN 1302 & AFTER		142001	513107
	LEFT VANDAL PANEL	79" (SPEC. COLOR)RUN 1303 & AFTER		141002	
	LEFT VANDAL PANEL 72"	MARKETING / RED		291003	
	LEFT VANDAL PANEL 79"	MARKETING / RED		290003	
	VANDAL PANEL 79"	20 PLUS (QUICK DISCONNECT DOOR)		296006	
17	RIGHT CABINET VANDAL PANEL	79 1/2" (IDENTIFY COLOR)		012122	544243
	RIGHT CABINET VANDAL PANEL	79" (IDENTIFY COLOR)		010519	542189
	RIGHT CABINET VANDAL PANEL	57 1/2" (IDENTIFY COLOR)		038505	544236
	RIGHT CABINET VANDAL PANEL	72" (IDENTIFY COLOR)		011501	544244
	RIGHT CABINET VANDAL PANEL	72" (IDENTIFY COLOR)		011002	506206
	RIGHT CABINET VANDAL PANEL	57 1/2" (IDENTIFY COLOR)		038002	509492
	RIGHT CABINET VANDAL PANEL 72"	MARKETING / RED		291004	
	RIGHT CABINET VANDAL PANEL 79"	MARKETING / RED		290004	
18	DOOR SWITCH BRACKET-MR	DOOR SWITCH BRACKET -M4		256002	

Cabinets

Item #	Part Name	Part Description	Code / Voltage	Royal Part #	Coke Part #
20	MAIN WIRING HARNESS	ALL MERLIN / GIII / POWER CORD		842063	
	MAIN WIRING HARNESS	GIII/MIV GAS ISLAND		842207	
	MAIN WIRING HARNESS	G II		842090	509702
	MAIN WIRING HARNESS	GIII / MIV	UK / IR	842166	
	MAIN WIRING HARNESS	GIII IEC	IS / NE / SW	842163	
	MAIN WIRING HARNESS	GII / MERLIN	FR / SP / BE / GE	842120	
	MAIN WIRING HARNESS	GIII	AU / NZ / AA	842164	
	MAIN WIRING HARNESS	GII / MERLIN	AU / NZ / AA	842133	
	MAIN WIRING HARNESS	GIII	CI / IT	842162	
	MAIN WIRING HARNESS	GII / MERLIN	CI / IT	842161	
	MAIN WIRING HARNESS	GIII / MIV	SF / II	842206	
21	RAIN GUARD	WIDE MARKETING		290592	
22	REFRIGERATION SENSOR	TEMPERATURE SENSOR HARNESS		822030	505201
	TEMPERATURE SENSOR MARKETING			822041	
23	HEAVY DUTY CASTER ASSY	2-DEEP		011180	542193
	HEAVY DUTY CASTER ASSY	3-DEEP		058160	507919
	HEAVY DUTY CASTER ASSY	3-DEEP+		201181	510158
	HEAVY DUTY CASTER ASSY	3-DEEP+ / MERLIN IV		256130	
24	OSCILLATOR	2-DEEP/WIDE COLUMN		809003	541430
	OSCILLATOR	3-DEEP		809008	500795
	OSCILLATOR	3 DEEP+		809025	510569
25	ROTOR	2-DEEP/NARROW COLUMN		809002	542191
	ROTOR	3-DEEP		809007	500815
	ROTOR	16 OZ 3 DEEP		809022	509905
	ROTOR	16 OZ 3 DEEP+		809026	
	ROTOR	3 DEEP+		809027	512771
26	CAN CHUTE TIE BRACKET			010017	513356
27	LATCH STRIKE S/A			010030	
	NUT RETAINER	FOR LATCH STRIKE ASSEMBLY		010028	545271
	SQUARE NUT	1/2-13/T-HANDLE LATCH ASSY.		905005	
28	DOOR LIFT BRACKET	20 PLUS		296219	

Rear View of Venders

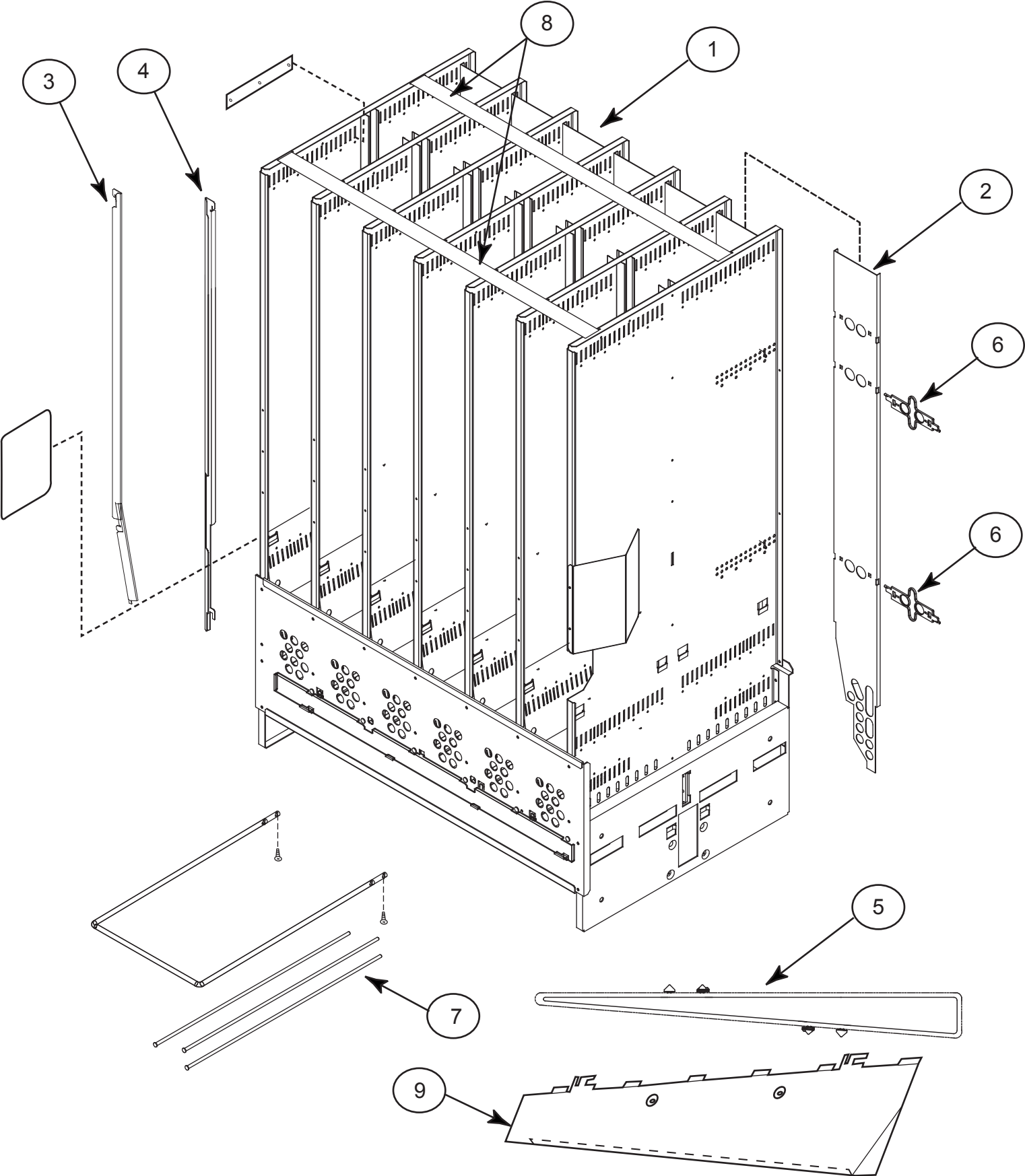


Rear View of Gas Island Vender

Rear View of Venders

Item #	Part Name	Part Description	Code / Voltage	Royal Part #	Coke Part #
1	DRAIN HOSE	USE ALONG WITH DRAIN TUBE		916013	542147
	DRAIN TUBE ASSEMBLY	ALL VENDORS		141120	505545
2	REAR BAFFLE	WIDE VENDORS		010188	
	BACK SCREEN	WIDE		141001	
	BACK SCREEN	INTERNATIONAL IEC VENDORS		010215	
3	CONDENSATE PAN			815368	
	LARGE DRAIN PAN	FOR A LARGER CONDENSATION PAN		011139	
4	CELLULOSE SPONGE	FOR DRAIN PAN		815037	504722
5	TOGGLE SWITCH	20A 120-277 VAC W/ 2MTNG SCREWS 1 HP		835016	
6	HANDY BOX	1 7/8" W/ 3/4" K.O. STEEL CITY		842198	
7	TOGGLE SWITCH COVER	COVER FOR HANDY BOX W/ 2 MTNG SCREWS		842199	
8	3/4" CABLE CONNECTOR	FOR HANDY BOX W/2SCREWS REGAL		842200	
9	STAND W/A	16"-GAS		285010	
10	ACCESS DOOR	16" GAS		285001	
	KEY PAD COVER PLATE	GAS		285503	

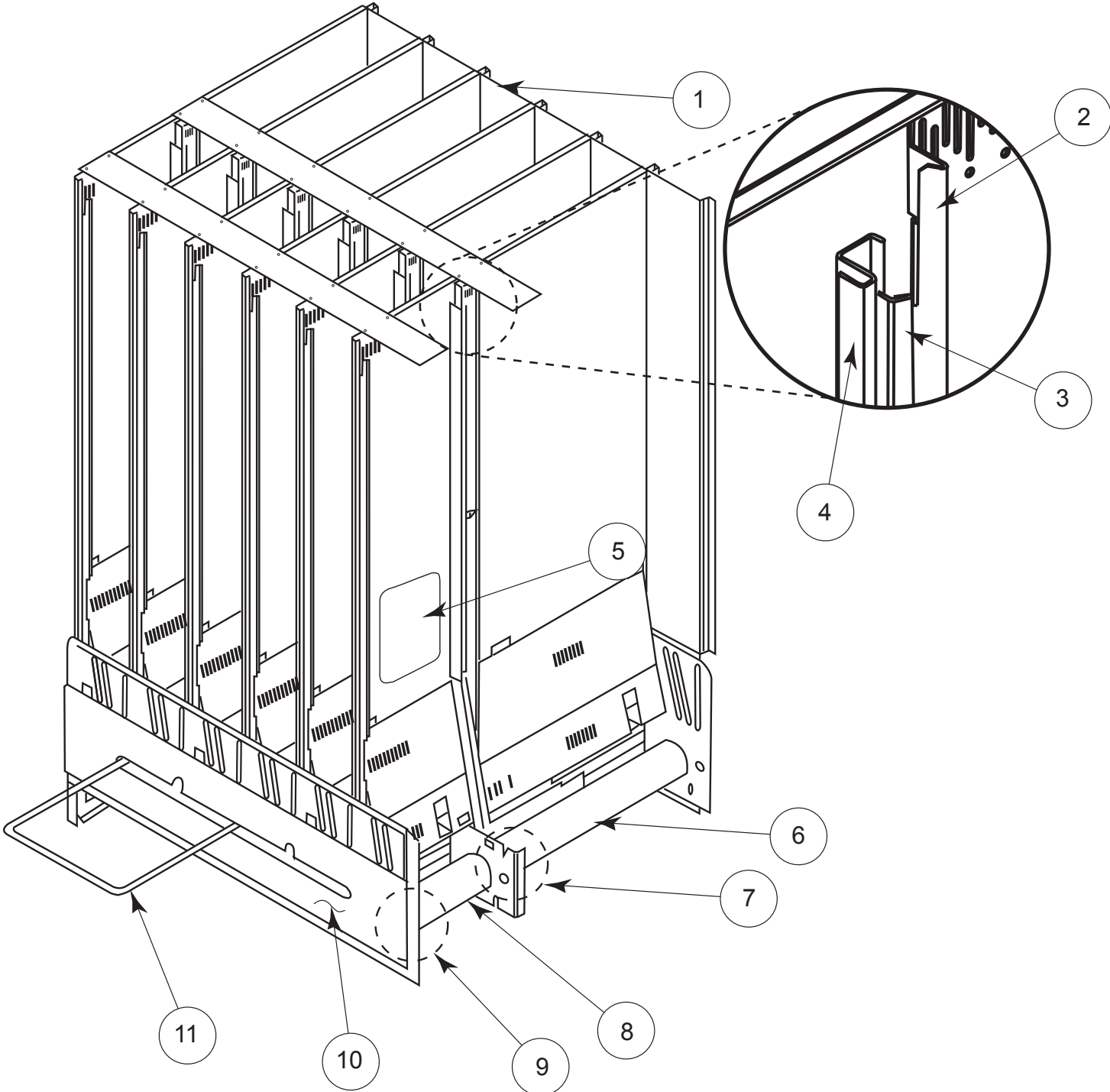
Stack



Stack

Item #	Part Name	Part Description	Code / Voltage	Royal Part #	Coke Part #
1	STACK ASSEMBLY	GIII 804-9 (79 1/2)		210738	
	STACK ASSEMBLY	GII 660-9 (72)		211711	
	VEND MECH. ASSY	552-8 REGULAR/ALL VENDORS		061901	
	VEND MECH ASSY	3 D+ 72" 552-7,8 ELECT		157900	
	VEND RACK ASSY, WIDE 72"	MARKETING		291710	
	VEND RACK ASSY, WIDE 79"	MARKETING		290710	
	VEND RACK ASSY 72" NARROW	MARKETING		293720	
2	REAR CAN RETAINER	MIV		810054	
	BACK SPACER	72" MERLIN 4		257704	
	BACK SPACER	79" MERLIN 4		256713	
	BACK SPACER ASSY	NARROW 79"		010750	501810
	BACK SPACER ASSY	WIDE 79"		010740	501809
	BACK SPACER ASSY	NARROW 79" 3 DEEP		058750	510548
	BACK SPACER ASSY	NARROW 72" 2 DEEP		011730	513592
	BACK SPACER ASSY	WIDE 72" 2 DEEP		011720	
	BACK SPACER ASSY	NARROW 72" 3 DEEP		059750	514666
	BACK SPACER ASSY	WIDE 72" 3 DEEP		059730	
	BACK SPACER ASSY	79.5" WIDE 16 OZ 3 DEEP (600, 609,630)		201730	
	BACK SPACER ASSY	79.5" NARROW 16 OZ 3 DEEP (609)		201710	
3	FRONT LEFT RETAINER	GIII/GIII+ 79		210745	509127
4	FRONT RIGHT RETAINER	GIII / GIII+ 79		210746	509126
	FRONT RIGHT RETAINER	GIII/ GIII+ 72		211713	510842
5	CHAIN ASSY	GIII/GIII+ NARROW		283710	
	CHAIN ASSY	GIII/GIII+ WIDE		210730	509270
	CHAIN ASSEMBLY	G II		095740	
6	SPRING FINGER, RETAINER	G-III/G-III+		815251	
	DOUBLE FINGER	USED ON WIDE BACK SPACER		010704	
	SINGLE FINGER	16 OZ 3 DEEP		201707	
	SINGLE FINGER	USED ON NARROW BACK SPACER		010705	
7	SHAFT, PIVOT & PRODUCT STOP	PIVOT/ADJUSTABLE PRODUCT STOP ROD GIII		803032	509812
9	CHAIN GUARD KIT	GIII		210180	513488
	CHAIN GUARD KIT	GIII+ NARROW VENDORS		286110	
	CHAIN GUARD KIT	GIII+ WIDE VENDORS		281110	

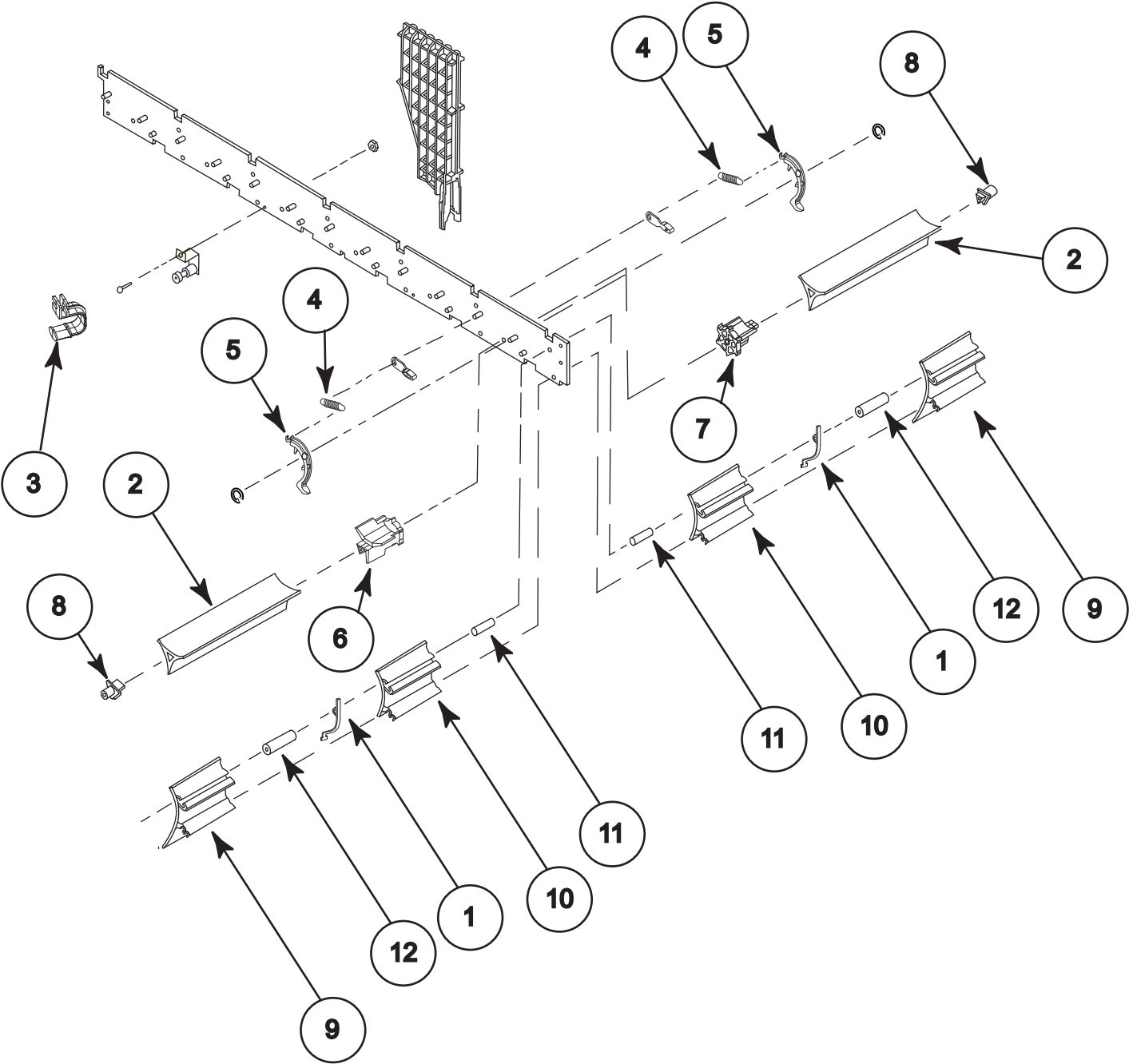
20 Plus Stack



20 Plus Stack

Item #	Part Name	Part Description	Code / Voltage	Royal Part #	Coke Part #
1	STACK ASSY. 79"	20 PLUS		296710	
2	REAR RETAINER, LEFT	20 PLUS		296712	
3	CAN STOP	20 PLUS		296715	
4	LEFT DIVIDER	20 PLUS		296708	
5	ANTI-FRICTION SHEET	20 PLUS		915197	
6	REAR ROTOR	20 PLUS		813025	518559
7	REAR VEND MOTOR	20 PLUS HIGH TORQUE		839032	518560
8	FRONT ROTOR	20 PLUS		813024	518561
9	FRONT VEND MOTOR	20 PLUS LOW TORQUE		839031	518562
10	HARNESS SHROUD	20 PLUS		296724	
11	CASE SUPPORT	20 PLUS		811040	
	ROTOR ROD	20 PLUS		803048	
	INSERT DIVIDER	20 PLUS		296717	

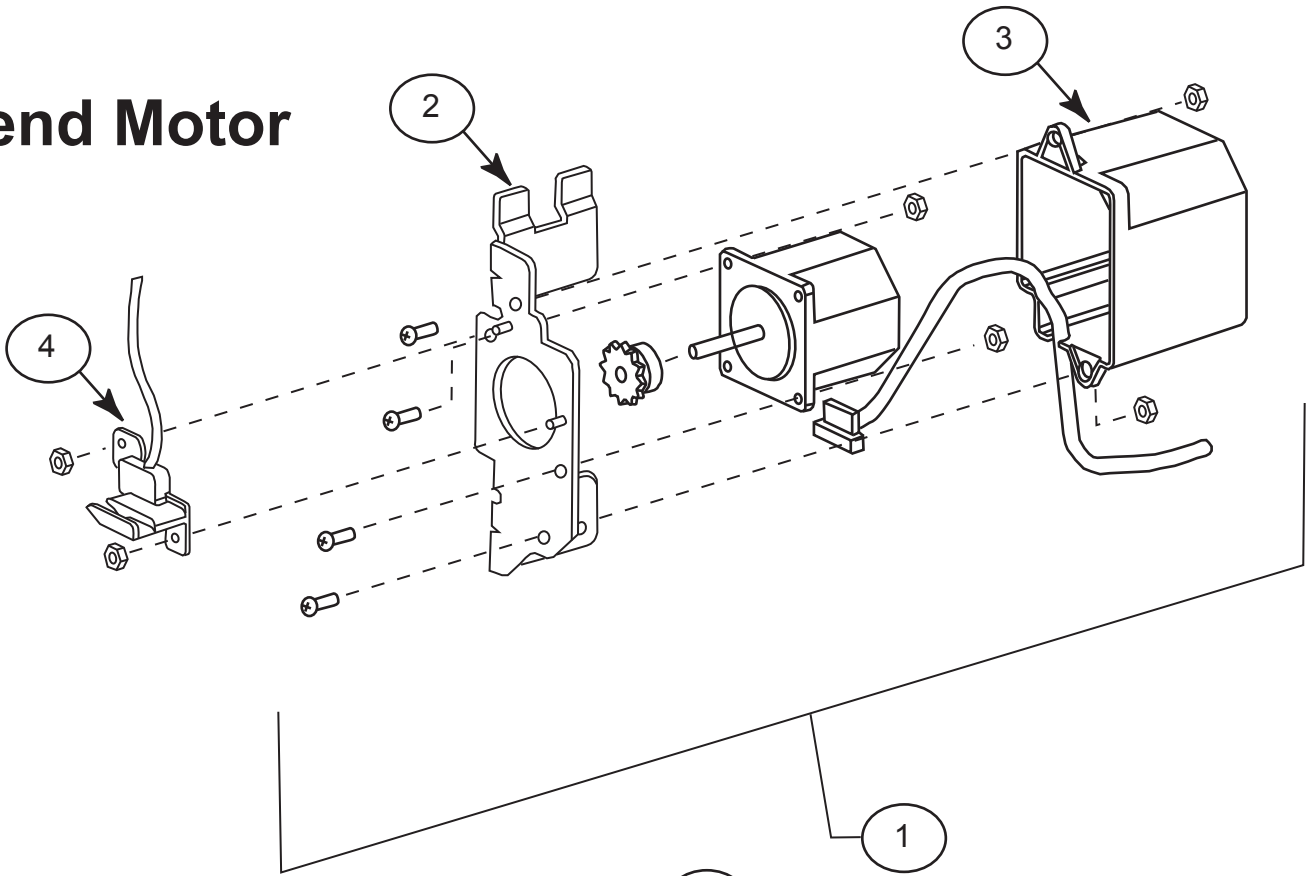
Vend Mechanism Assembly



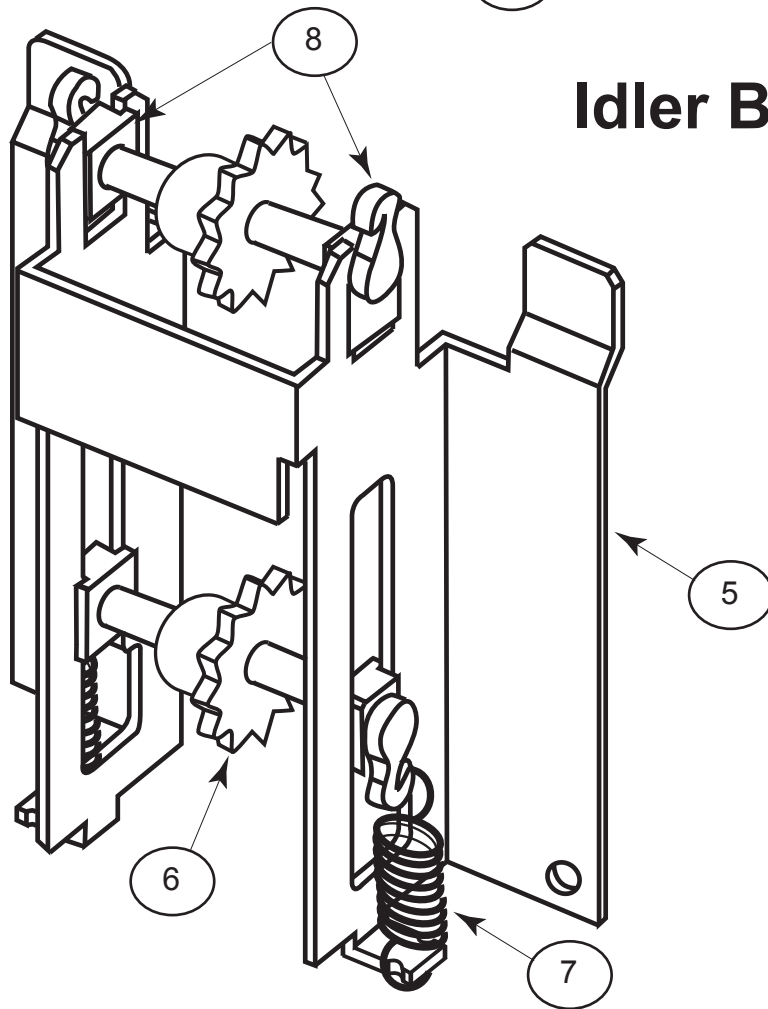
Vend Mechanism Accessories

Item #	Part Name	Part Description	Code / Voltage	Royal Part #	Coke Part #
1	ANTI-TILT SPRING	GIII		915186	
2	PIVOT	GIII		813010	511498
	DOUBLE PIVOT ASSY	FRONT GIII		210740	509359
	SINGLE PIVOT ASSY	G II		147730	
	FRONT PIVOT S/A	NEW STYLE PIVOT RUN 1379 AND AFTER GIII		210750	509780
	REAR PIVOT S/A	NEW STYLE RUN 1379 AND AFTER GIII		210760	509781
3	STABILIZER ASSY	GIII (1504 & AFTER)		915266	
	STABILIZER ASSY	GIII (PRIOR TO PO # 1504)		210744	
	STABILIZER ASSY	G II / CHAIN GUIDES		095799	
4	RELEASE LEVER SPRING	G II / GIII		914008	503746
5	RELEASE LEVER	G II / GIII		915125	545273
6	PIVOT END	DOUBLE FRONT / POWERADE STYLE GIII		915207	513860
7	PIVOT END	DOUBLE REAR / POWERADE STYLE GIII		915208	513543
	PIVOT END	DOUBLE REAR /PRIOR TO 1379 / GIII		915157	
8	PIVOT BEARING	GIII		915206	508808
9	PRODUCT STOP	ADJUSTABLE, LONG GIII		813016	511576
10	FRONT PRODUCT STOP	20 PLUS		296725	518563
11	SPACER, PRODUCT STOP 1.25"	GIII		915182	508796
12	SPACER, PRODUCT STOP 1.85"	GIII		915250	

Vend Motor



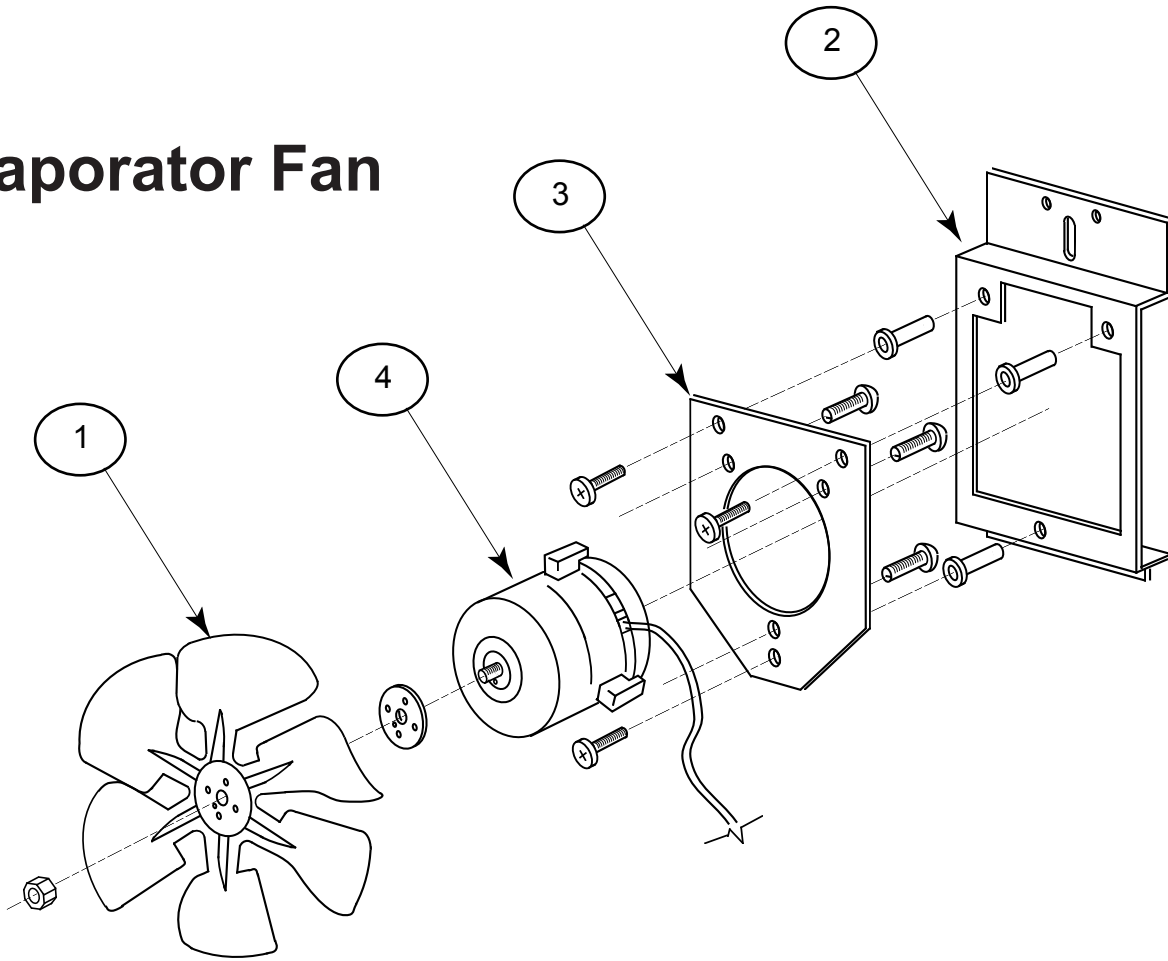
Idler Bracket



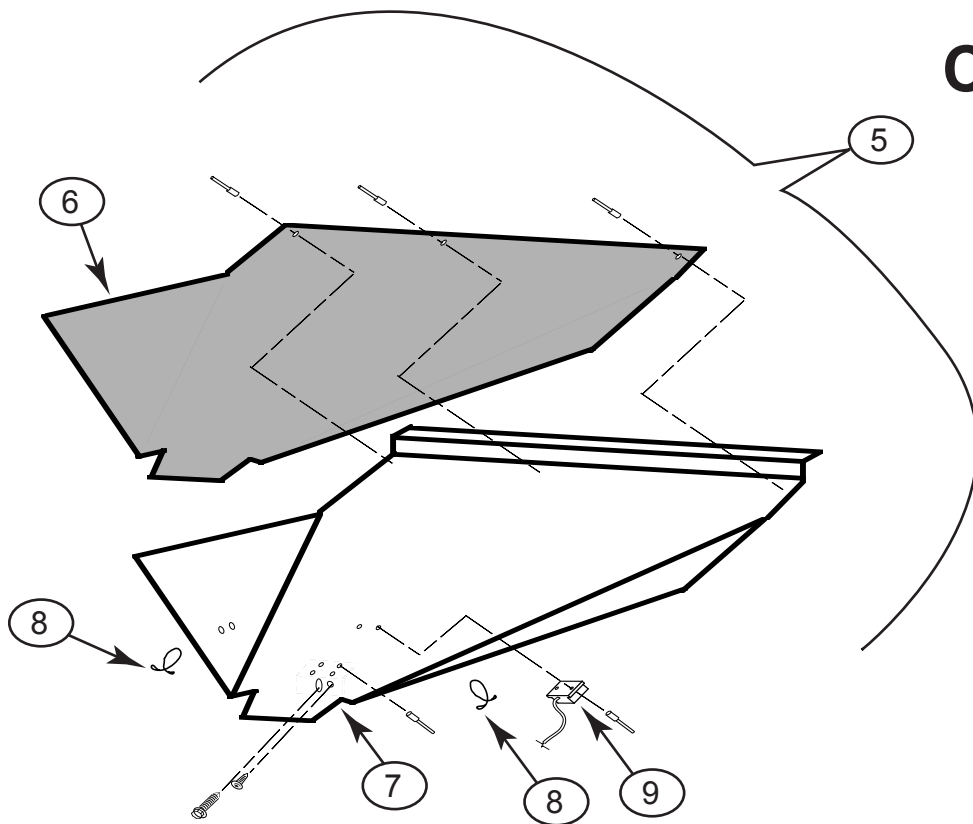
Vend Motor and Idler Bracket

Item #	Part Name	Part Description	Code / Voltage	Royal Part #	Coke Part #
1	VEND MOTOR ASSY	FOR NEW PIVOTS RUN 1379 AND AFTER GIII		210727	508492
	VEND MOTOR ASSY (HEAVY DUTY)	2-DEEP /72" 3 DEEP NARROW REG		010720	544109
	VEND MOTOR ASSY	2-DEEP WIDE REG		010730	
	VEND MOTOR ASSY	2 DEEP "MERLIN" WIDE COLUMN		010780	508031
	VEND MOTOR ASSY	G II -- LESS HOME SENSOR		095794	541433
	VEND MOTOR ASSY	MERLIN 2/3 DEEP NARROW 110 / 50 HZ		010770	
	VEND MOTOR ASSY	MERLIN 2/3 DEEP WIDE 110 / 50 HZ		010781	
2	MOTOR MOUNTING BRACKET	GIII		210716	508269
3	MOTOR HOUSING	NEW STYLE GIII		815209	513370
	MOTOR COVER	GII		815080	
4	HOME SENSOR	ASSEMBLY (GII)		842052	509815
5	IDLER BRACKET	GIII+ NARROW VENDOR		281713	
	IDLER BRACKET	GIII		210703	513368
	IDLER BRACKET ASSY	GIII+ (INCLUDES CHAIN)		210757	
	IDLER BRACKET ASSY	GIII (INCLUDES CHAIN)		210726	509330
	IDLER BRACKET & STUD ASSY	GII		095750	505716
6	IDLER SHAFT SPROCKET ASSY	GII		095770	
	IDLER SPROCKET KIT	GII		095795	503260
7	IDLER SPRING	FOR IDLER ASSY GIII		914021	507788
8	BEARING IDLER SHAFT	FOR IDLER ASSY GII / GIII		915079	

Evaporator Fan



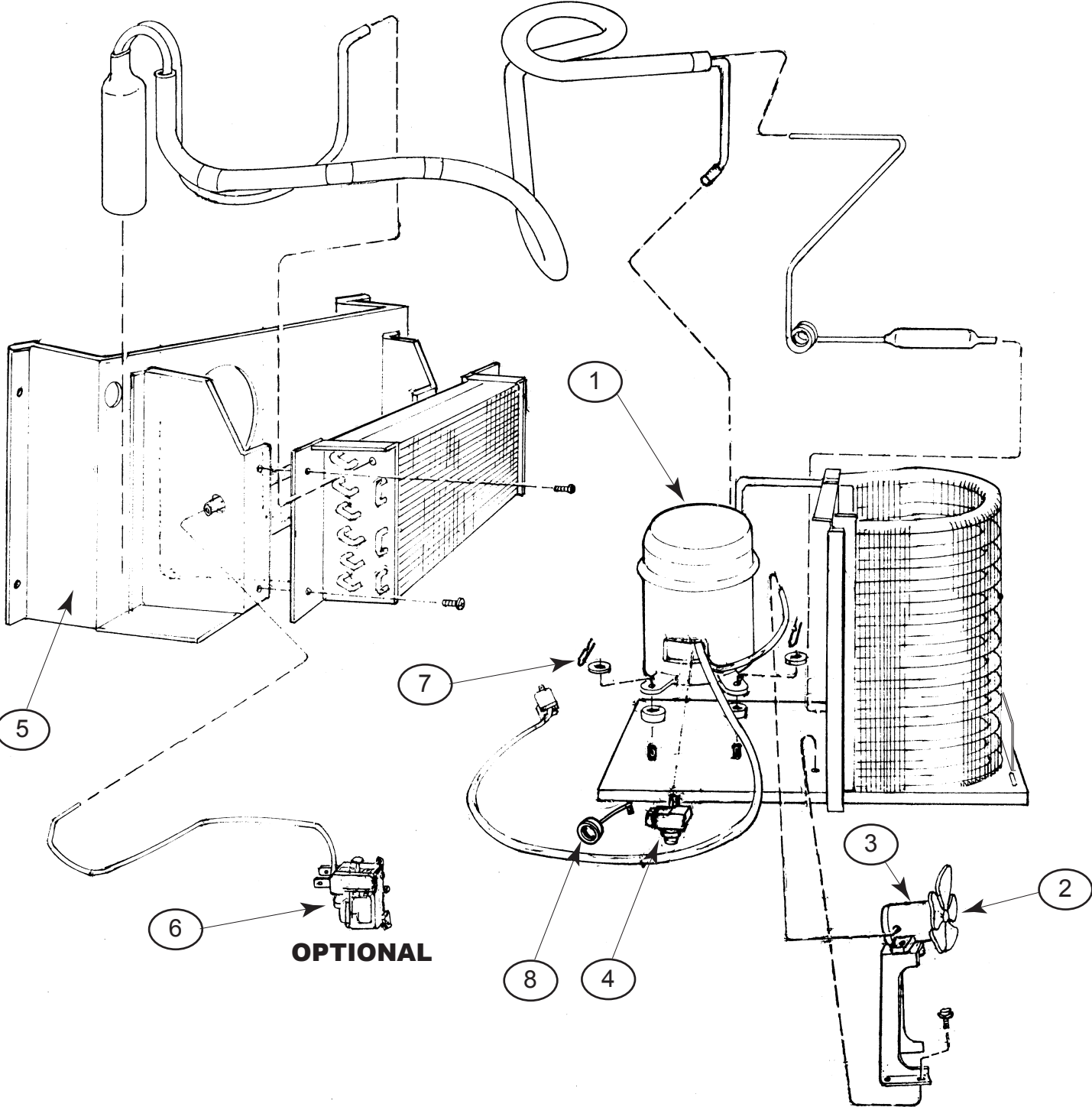
Chute



Evaporator Fan and Delivery Chute

Item #	Part Name	Part Description	Code / Voltage	Royal Part #	Coke Part #
1-4	EVAPORATOR FAN MOTOR ASSY	GIII		210400	509359
	EVAPORATOR FAN ASSEMBLY	MOTOR AND BLADE/ALL EXCEPT GII / GIII		010050	510184
	EVAPORATOR FAN MOTOR ASSY	GII		095060	511041
	EVAPORATOR FAN MOTOR ASSY	220V INTERNATIONAL	All 220-240V / 50HZ	210101	
1	FAN BLADE	8" 6 BLADE CW 50 DEG. PITCH ALUM. HUB GIII		810045	507758
	FAN BLADE EVAP.	ALL EXCEPT GII / 7 3/4"		810004	544301
	FAN BLADE EVAP.	G II		810013	510434
2	MOUNTING BRACKET	EVAPORATOR FAN PLATE GII		010057	508591
	BRACKET FAN MOTOR	EVAPORATOR FAN BRACKET		010006	509678
	EVAPORATOR MOUNTING BRACKET	ASSY		010064	
3	EVAPORATOR FAN PLATE	2/GII 1/ALL OTHERS		010058	507761
4	FAN MOTOR	35 WATT 115V W/30" LEAD GIII		839028	510435
	FAN MOTOR EVAP.	ALL EXCEPT GII / 6 WATT		839001	501107
	FAN MOTOR EVAP.	9 WATT GII		839017	544922
	EVAPORATOR FAN MOTOR	220V INTERNATIONAL	All 220-240V / 50HZ	839027	
5	CAN CHUTE ASSY	GIII LESS SENSOR		211090	514758
	NARROW CAN CHUTE ASSEMBLY	2 DEEP MERLIN & REG LESS SENSOR		036010	
	WIDE CAN CHUTE ASSEMBLY	2 DEEP MERLIN & REG LESS SENSOR		010060	501751
	WIDE CAN CHUTE ASSEMBLY	3 DEEP MERLIN & REG LESS SENSOR		058020	
	CAN CHUTE ASSY	GII / GII VII LESS SENSOR		147010	545493
6	CAN CHUTE LINER	WIDE		010021	
	CAN CHUTE LINER ASSY	GIII		210014	
	DELIVERY CHUTE LINER WIDE	MARKETING		815299	
	DELIVERY CHUTE WIDE	MARKETING		290001	
7	CHUTE LOCATOR BRACKET	GII		095002	
8	TENSION CLIP			916059	
9	CHUTE SENSOR	USE ON RUN 1300 AND AFTER		836004	501803
	OPTIC SENSOR ASSY			822049	

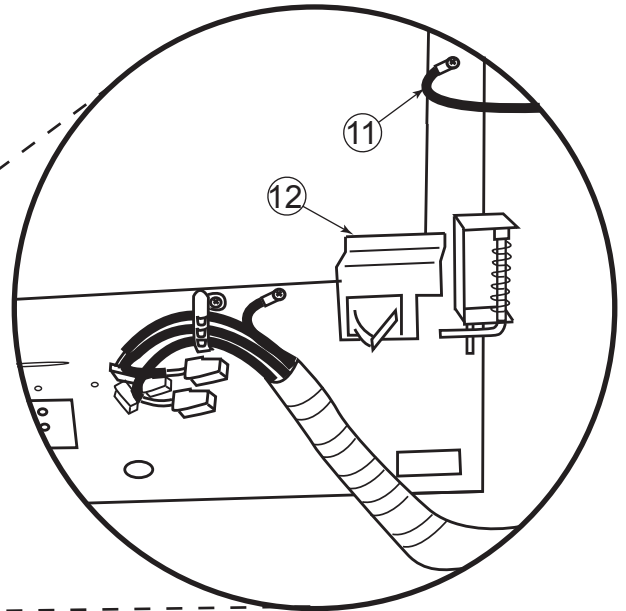
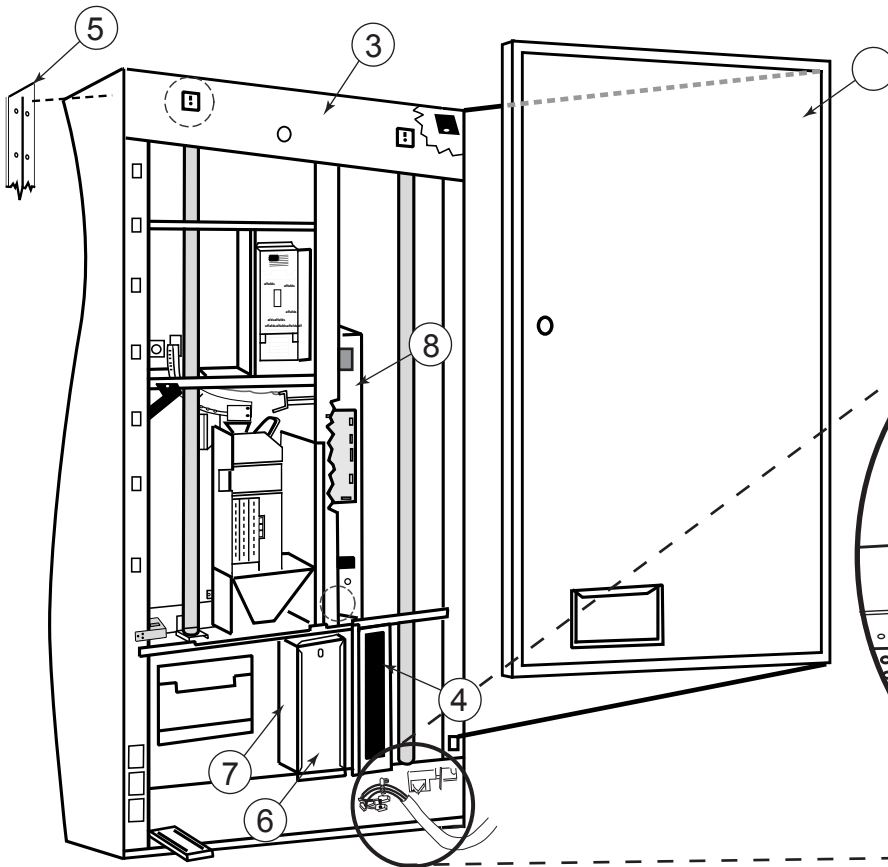
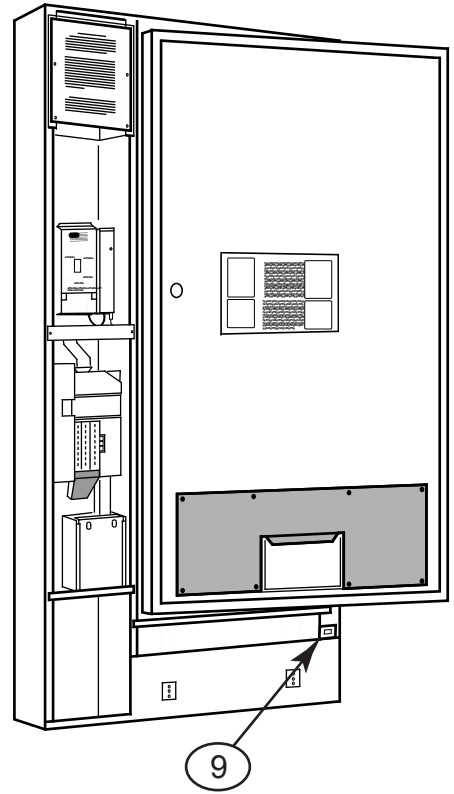
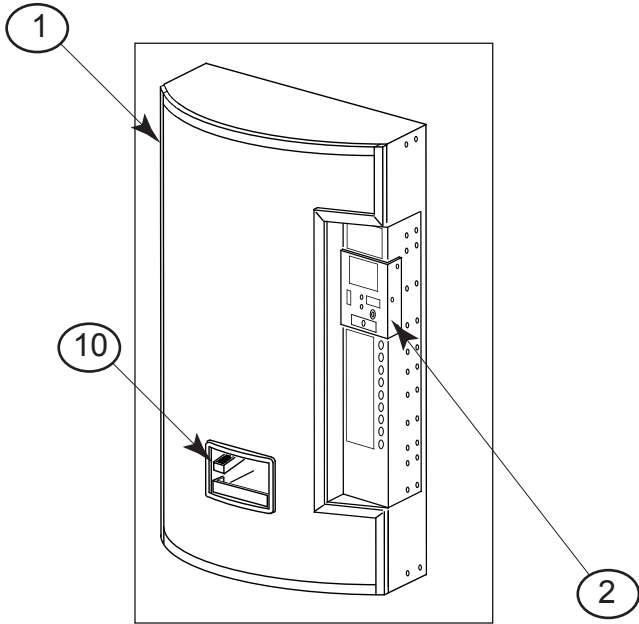
Refrigeration



Refrigeration

Item #	Part Name	Part Description	Code / Voltage	Royal Part #	Coke Part #
1	1/3+ HP COMPRESSOR R134A	CAP START HIGH TORQUE TECUMSEH		819028	
	1/3+ HP COMPRESSOR R134A	20 PLUS		296410	518558
	1/3+ HP COMPRESSOR R134A	115V TEC.		819015	
	1/3+ HP COMPRESSOR R134A	CAP START HIGH TORQUE TECUMSEH		819023	
	1/3+ HP COMPRESSOR R134A	220V INTERNATIONAL	All 220-240V / 50HZ	819031	
	REFRIG. SYSTEM- CAP START	1/3		141420	508693
	REFRIG. SYSTEM- CAP START	1/3+ R-134A TEC		156430	507783
	REFRIG. SYSTEM- CAP START	1/3+ R-134A HIGH TORQUE TEC GII		147430	500945
	REFRIG. SYSTEM- CAP START	20 PLUS		296410	
	REFRIG. UNIT W/ SHOCK LOOP	GIII 220V INTERNATIONAL	All 220-240V / 50HZ	210402	
	REFRIG. SYSTEM	MIV 220V INTERNATIONAL	All 220-240V / 50HZ	256470	
2	FAN BLADE COND.	8 3/4 DIA		810014	508319
3	CONDENSOR FAN MOTOR	9 WATT GII		839010	504723
	CONDENSOR FAN MOTOR	9 WATT 220 V INTERNATIONAL	All 220-240V / 50HZ	839019	
4	RELAY	24 VOLT		836065	
	RELAY 1/3+	TECUMSEH		822042	
	RELAY 1/3+	TECUMSEH 220V INTERNATIONAL	All 220-240V / 50HZ	822040	
5	EVAPORATOR FAN SHROUD	MARKETING		210088	513366
	EVAPORATOR COVER WIDE	WIDE VENDORS		010013	509818
	EVAPORATOR COVER	NARROW VENDORS		095008	
	EVAPORATOR COVER	GIII		210007	
	EVAPORATOR COVER	20 PLUS		296004	
6	COLD CONTROL			822001	
7	COMPRESSOR CLIP	FOR COMP MTG		914002	
8	OVERLOAD 1/3+	TECUMSEH		822043	
	OVERLOAD 1/3+	220V INTERNATIONAL	All 220-240V / 50HZ	822039	
	FOAM TAPE	1/4" THK X 1/2 WIDE		829001	
	INSULATING TUBING	3/8" ID X 3/4 OD X FT		826003	

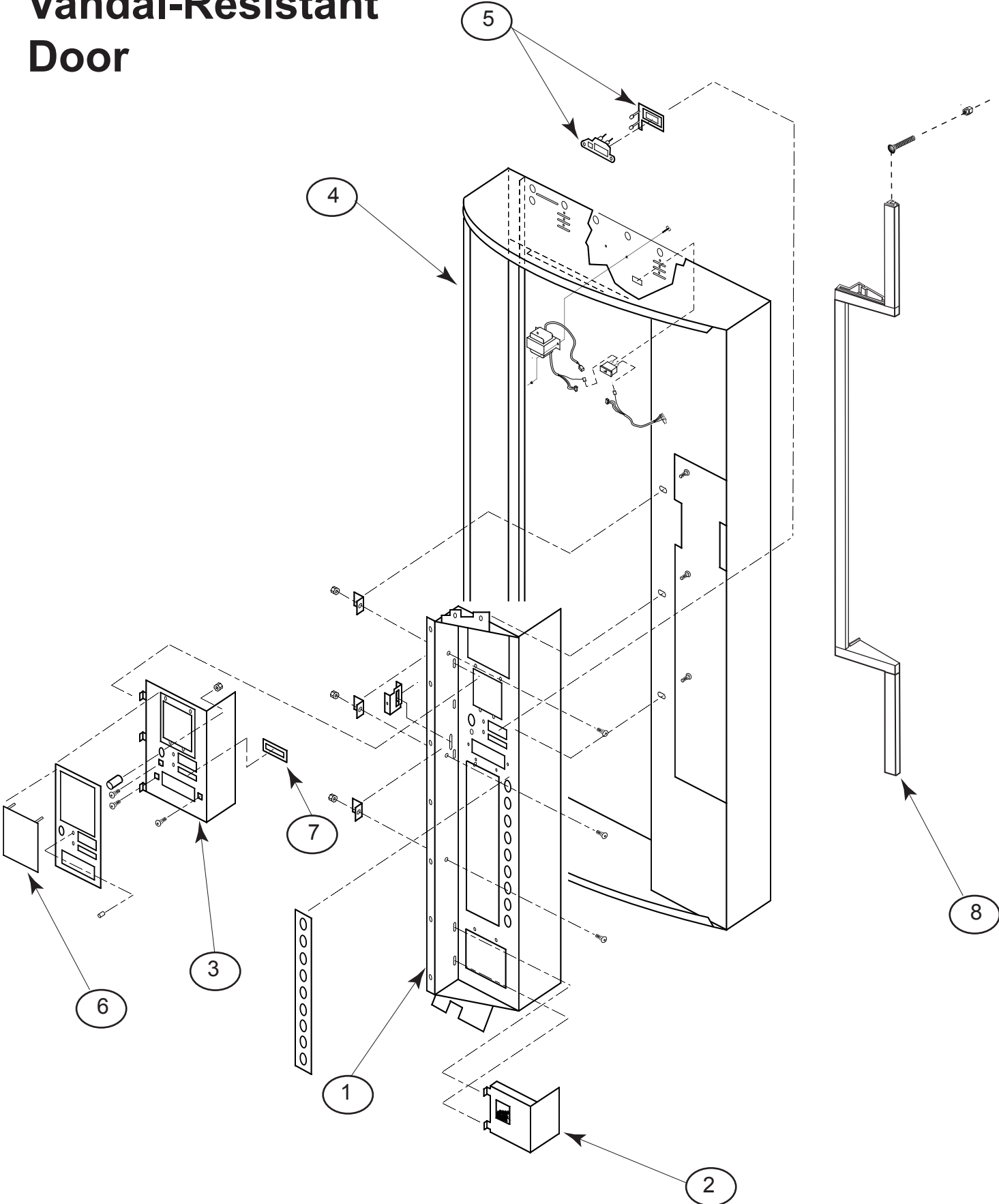
Doors



Doors

Item #	Part Name	Part Description	Code / Voltage	Royal Part #	Coke Part #
1	DOOR ASSEMBLY COMPLETE	79" CENTER DOOR CHANGER GIII		231520	
	DOOR ASSEMBLY COMPLETE	72" CENTER DOOR CHANGER GIII		232510	513454
	DOOR ASSEMBLY COMPLETE	79 GIII CDC BOTTLE		210592	
	DOOR ASSEMBLY COMPLETE	CC 57 1/2" 5 SELECT NV MERLIN ROUND		150910	
	DOOR ASSEMBLY COMPLETE	CC 72" 6 SELECT NV MERLIN ROUND		149910	
	DOOR ASSEMBLY COMPLETE	CC 72" 7 SELECT MERLIN ROUND		142950	
	DOOR ASSEMBLY COMPLETE	CC 72" 9 SELECT REGULAR ROUND		144510	544283
	DOOR ASSEMBLY COMPLETE	CC 79" 9 SELECT REGULAR ROUND		143530	544284
	DOOR ASSEMBLY COMPLETE	CC 72" 9 SELECT GII		148510	
	DOOR ASSEMBLY COMPLETE	79" VRD GIII		210519	511700
	DOOR ASSEMBLY COMPLETE	72" VRD GIII		211512	
2	COIN INSERT ASSEMBLY	79 COKE MERLIN C.D.C		161930	
	COIN INSERT ASSEMBLY	COKE - REG & OLD MERLIN		011520	540372
	COIN INSERT ASSEMBLY	COKE - NEW MERLIN		010920	501111
	COIN INSERT ASSEMBLY	79 COKE REGULAR C.D.C.		161592	
	COIN INSERT ASSEMBLY	72 COKE MERLIN C.D.C.		162920	507515
	COIN INSERT ASSEMBLY	CC 9 SEL MERLIN VANDAL RESISTANT		183910	
	COIN INSERT ASSEMBLY	COKE REG VRD		141559	505067
	COIN INSERT ASSEMBLY	CC ELECTRONIC VRD		141940	500586
	COIN INSERT	COKE / METAL ONLY		809001	541432
3	DOOR ASSY WIDE 72" BOTTLE	MARKETING		291550	
	DOOR ASSY WIDE 72" CAN	MARKETING		291551	
	DOOR ASSY WIDE 79" BOTTLE	MARKETING		290593	
	DOOR ASSY WIDE 79" CAN	MARKETING		290594	
4	BALLAST PANEL ASSY	CCR		290571	
	BALLAST HIGH OUTPUT	DR. PEPPER & DOMESTIC COKE		838001	
	BALLAST HIGH OUTPUT	VALMONT		838003	508047
	BALLAST 220V	SLIMLINE BALLAST 220V	220-240V / 50/60HZ	838029	
	BALLAST ASSY.	COKE 57.5" MERLIN (MAGNETEK)		038920	
	BALLAST ASSY.	COKE 72" REG W H.O.		011540	509160
	BALLAST ASSY.	COKE 72 MERLIN W H.O.		010950	
	BALLAST ASSY.	COKE 72" GIII C.D.C.		232520	
	BALLAST ASSY.	COKE 79 1/2" MERLIN H.O.		010950	513867
	BALLAST ASSY.	COKE 79" GIII C.D.C.		231560	530135
	BALLAST ASSY.	COKE 72" NV REG. H.O.		036530	
	BALLAST ASSY.	COKE 72" NV MERLIN H.O.		036930	
	BALLAST ASSY	72" COKE WIDE MERLIN C.D.C.		231560	
	BALLAST ASSY	79 "1/2" COKE REG. CDC		171530	513961
	BALLAST ASSY	79 "1/2" COKE MERLIN CDC		231560	
	BALLAST ASSY	72" W MERLIN (MAGNATEK) 220V	All 220-240V / 50HZ	013940	
	BALLAST ASSY	79" MERLIN (MAGNATEK) 220V	All 220-240V / 50HZ	012921	
	BALLAST ASSY	72" REG. CDC COKE		172520	
	BALLAST ASSY	INTERNATIONAL SLIMLINE 220V	220-240V / 50/60HZ	231549	
5	RIGHT VANDAL PANEL 72"	MARKETING / RED		291585	
	RIGHT VANDAL PANEL 79"	MARKETING / RED		290585	
6	COIN BOX, MARKETING	MARKETING, PLASTIC		815347	
7	COIN BOX HOUSING, MARKETING	CCR		290526	
8	BOARD MOUNTING PANEL			290523	
9	DOOR SWITCH	RUN 1521 AND AFTER		835019	
10	COIN CUP	RUN 1350 AND AFTER GIII CDC		231505	509540
	COIN CUP	WIDE PORT/CDC		273506	
11	GROUND WIRE W/TAB ASSY			842271	
12	DOOR SWITCH MOUTING BRACKET	20 PLUS		296502	

Vandal-Resistant Door



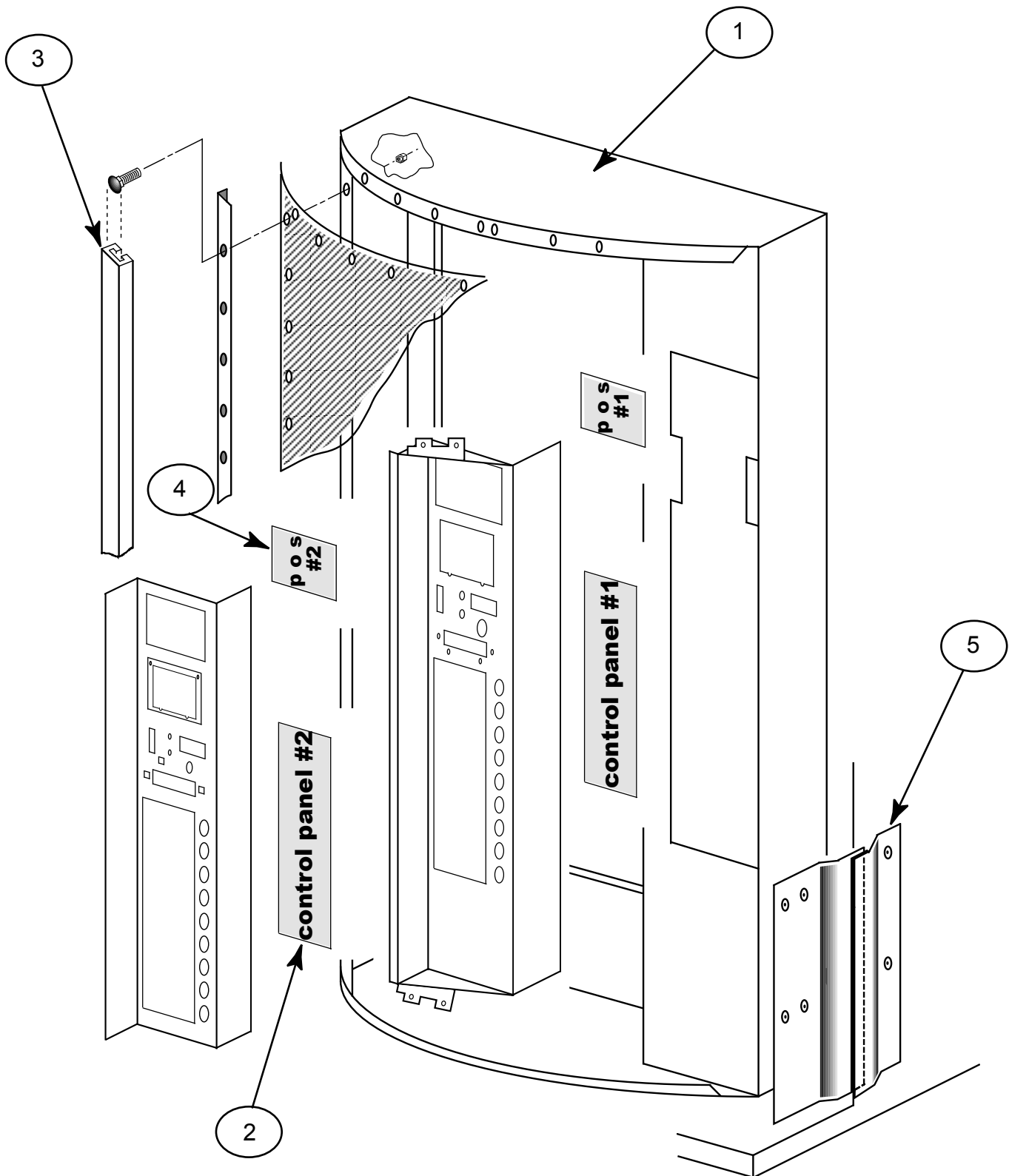
Vandal-Resistant Door

Item #	Part Name	Part Description	Code / Voltage	Royal Part #	Coke Part #
1	BOLT ON CONTROL PANEL W/A	CC 9 SELECT VRD		143510	503970
	BOLT-ON-CONTROL PANEL ASSY	CC 7 SEL MERLIN CDC		161920	
	BOLT ON CONTROL PANEL ASSY	CC 7 SELECT MERLIN VRD		141920	
	BOLT ON CONTROL PANEL ASSY	CC 9 SELECT MERLIN VRD		143920	
	BOLT ON CONTROL PANEL W/A	CC 5 SELECT VRD		150530	
	BOLT ON CONTROL PANEL W/A	CC 6 SELECT VRD		145510	513983
	BOLT ON CONTROL PANEL W/A	CC 7 SELECT VRD		141530	503969
	BOLT-ON-CONTROL PANEL ASSY	CC 9 SEL GII		167520	
	BOLT ON CONTROL PANEL ASSY	6 SELECT REGULAR		127540	
	BOLT ON CONTROL PANEL ASSY	9 SELECT MERLIN		125920	509419
	9 SELECT CONTROL PANEL ASSY	CC REG W/O HARNESS		015510	503658
	9 SELECT CONTROL PANEL ASSY	CC MERLIN W/O HARNESS		015940	501750
	9 SELECT CONTROL PANEL ASSY	CC EV CDC TG		173920	514359
	9 SELECT CONTROL PANEL ASSY	CC EV TG		183940	514360
	8 SELECT CONTROL PANEL W/A	NEW COKE		154520	513599
	7 SELECT CONTROL PANEL ASSY	CC MERLIN WV W/O HARNESS		010940	
	7 SELECT CONTROL PANEL ASSY	CC TUFF GUY		181930	
	7 SELECT CONTROL PANEL ASSY	CC REGULAR CENTER DOOR CHANGER		161540	
	7 SELECT CONTROL PANEL W/A	COKE CDC (METAL ONLY)		161530	
	6 SELECT CONTROL PANEL ASSY	CC REG VANDAL RESISTANT DOOR		145540	
	CONTROL PANEL ASSY	COKE VANDAL RESISTANT DOOR GII		147540	
	CONTROL PANEL ASSY	COKE GII		095519	510977
	CONTROL PANEL	FRONT/REAR CC 5		815146	513311
	CONTROL PANEL	FRONT/REAR CC 6		815147	540772
	CONTROL PANEL	FRONT/REAR CC 7		815148	540773
	CONTROL PANEL	FRONT/REAR CC 9		815149	540774
	CONTROL PANEL W/A	6 SELECT COKE		127530	
	CONTROL PANEL W/A	7 SELECT COKE		123530	505718
	CONTROL PANEL W/A	8 SELECT COKE		140520	
	CONTROL PANEL W/A	9 SELECT COKE		125510	509418
	CONTROL PANEL W/A	9 SELECT COKE CDC		163520	507900
	CONTROL PANEL W/A	CC 9 SEL CDC TG AUSTRALIA	AU / NZ	163570	
2	COIN CUP W/A MOUNTING PLATE	COKE (STEEL)		123550	501106
3	SECURITY PLATE W/A	COIN INSERT VRD		141550	503679
	SECURITY PLATE W/A	7 SELECT TUFF GUY CDC		171510	
	SECURITY PLATE W/A	COKE CDC		161550	507901
	SECURITY PLATE W/A	9 SELECT VANDAL RESISTANT DOOR TG		183510	513363
	SECURITY PLATE W/A	9 SELECT CENTER DOOR CHANGER TG		173510	513243
	SECURITY PLATE W/A	8 SELECT CENTER DOOR CHANGER TG		179510	
	SELECT PANEL COVER PLATE	G II 72" & 79" 1154 & GREATER INTERMED		095103	505714
4	WELDED DOOR ASSEMBLY	CC 79 1/2" / VRD		141510	509313
	WELDED DOOR ASSEMBLY	COKE 72" W ROUND		124510	506893
	WELDED DOOR ASSEMBLY	COKE 79.5" ROUND WIDE		123510	505717
	WELDED DOOR ASSEMBLY	CC 72" / VRD		142510	
	WELDED DOOR ASSEMBLY	CC 72" NV / VRD		149510	
	WELDED DOOR ASSEMBLY	CC 57 1/2" NV / VRD		150510	
	WELDED DOOR ASSEMBLY	72" W CC / VRD IEC	ALL EXCEPT 220/60	142560	
	WELDED DOOR ASSEMBLY	79" CC / VRD IEC	ALL EXCEPT 220/60	141595	
	WELDED DOOR ASSEMBLY	79" CDC / IEC	ALL EXCEPT 220/60	161599	
	DOOR W/A	COKE WV CDC 72 GAS		285510	
	WELDED DOOR ASSEMBLY KIT	COKE 72" 9 SEL./FOR VRD /CONTROL PANEL		126520	
	WELDED DOOR ASSEMBLY KIT	COKE 72" 7 SEL./FOR VRD /CONTROL PANEL		124540	
	WELDED DOOR ASSEMBLY KIT	COKE 79.5" 7 SEL./FOR VRD /CONTROL PANEL		123570	505756
5	L.E.D. ASSY NEW	1.10 AND UP / L.E.D. AND WINDOW		010593	542982
	L.E.D. CONVERSION KIT	OLD L.E.D. TO NEW L.E.D. 5.0 BOARD		012124	
	L.E.D. DISPLAY	PARALYNE COATING		836012	502383
	L.E.D. DISPLAY SHROUD	CCR DOOR		929031	510342
	L.E.D. COVER			010562	
	L.E.D. WINDOW	1.09 & UNDER		010563	545510
	L.E.D. LENS	SMALL LITE LENS/COR CHANGE-SOLDOUT		916032	

Vandal-Resistant Door

Item #	Part Name	Part Description	Code / Voltage	Royal Part #	Coke Part #
6	VALIDATOR COVER	COKE (REPLACES VALIDATOR)		010535	544254
	VALIDATOR GUARD	COKE / METAL PANEL		141521	
	P.O.S. VALIDATOR PLATE	MARS		010159	545267
	VALIDATOR PLATE ASSEMBLY	MARS COKE		141593	
	VALIDATOR GUARD KIT	COKE		141592	509700
	BILL VALIDATOR LABEL	COKE / FRENCH CANADIAN	FR	831298	
	MARS VALIDATOR (POS) PLATE	W/A		010065	
7	COIN PLATE	COIN INSERT (LEXAN) VRD		141516	501105
8	TRIM--COKE	79.5"		141590	
	TRIM--COKE	72"		142530	

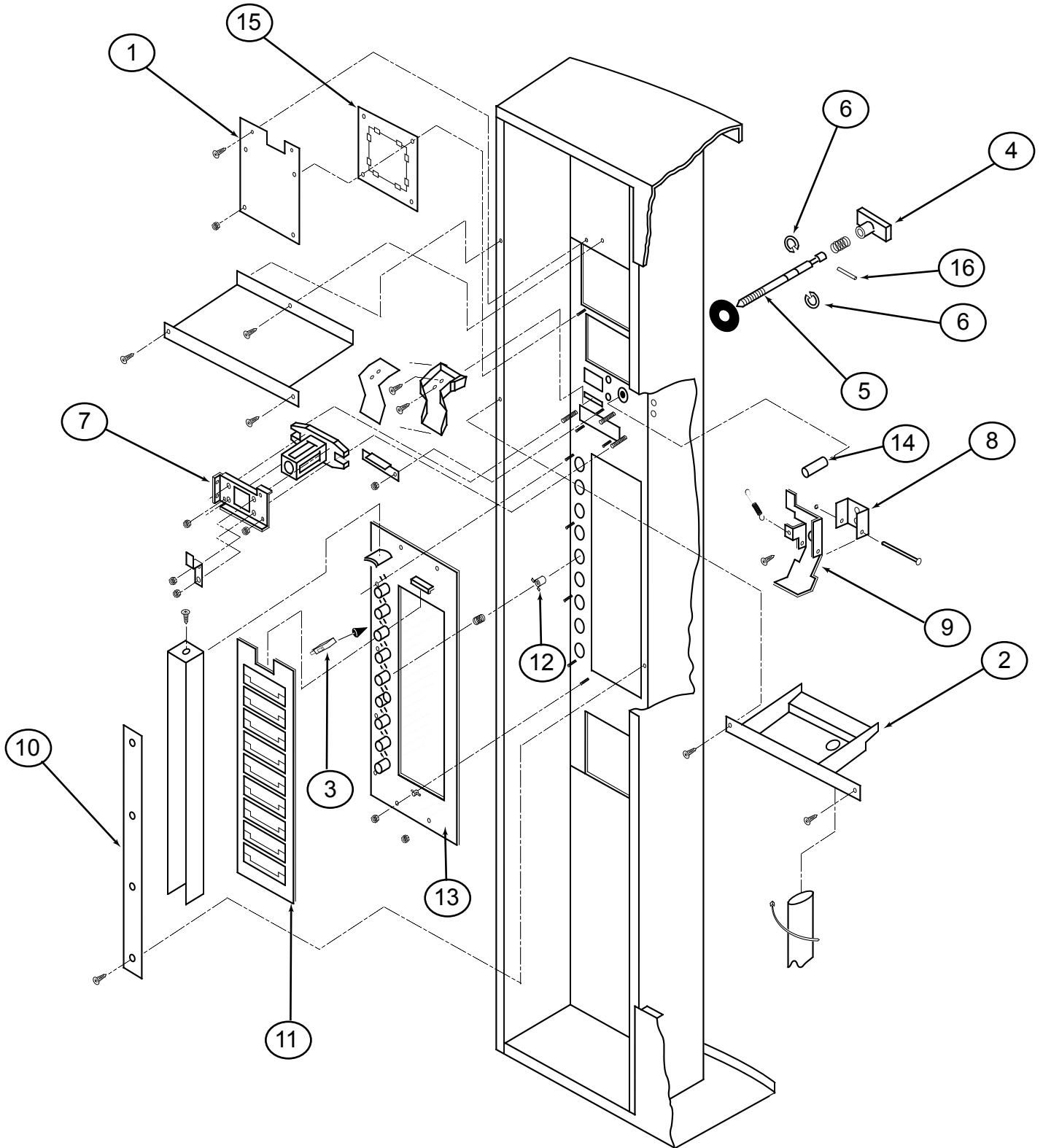
Tuff Guy / Steel Door CDC



Tuff Guy / Steel Door CDC

Item #	Part Name	Part Description	Code / Voltage	Royal Part #	Coke Part #
1	WELDED DOOR ASSEMBLY	72" COKE CDC WIDE		162510	
	WELDED DOOR ASSEMBLY	79" COKE CDC WIDE		161510	513568
	DOOR ASSEMBLY COMPLETE	79" GIII TUFF GUY (CAN ON ICE)		210545	513584
2	FLAVOR CARD LEXAN PANEL	TUFF GUY		171522	507815
3	CHANNEL TRIM	TUFF GUY		171512	
4	P.O.S. LEXAN PANEL	TUFF GUY P.O.S. WINDOW		171523	
5	VANDAL PANEL COVER	79 TUFF GUY		171101	
	VANDAL PANEL COVER	72 TUFF GUY		172001	513242
	VANDAL PANEL COVER	79 TUFF GUY		171001	

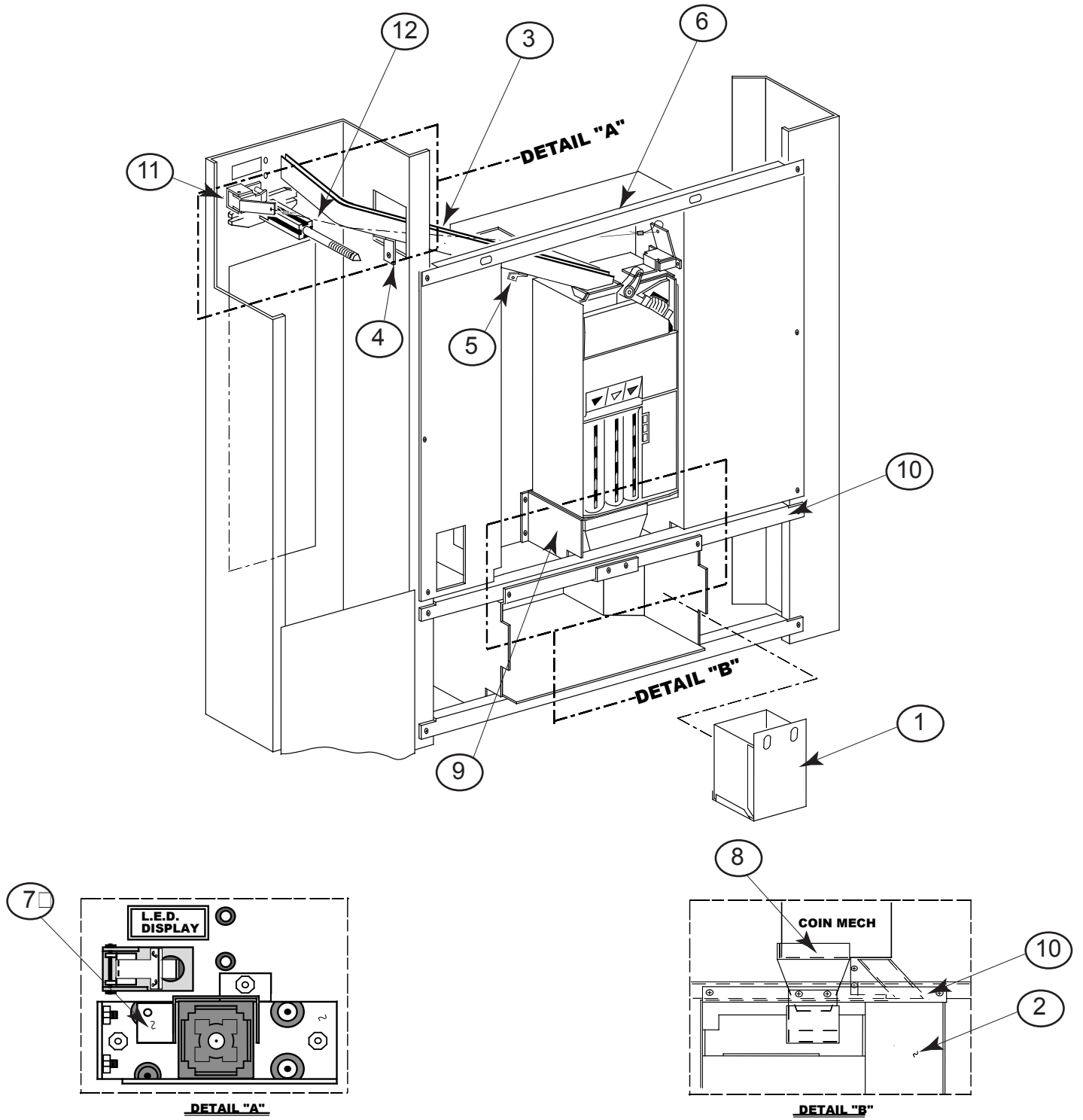
Select Panel Assembly



Select Panel Assembly

Item #	Part Name	Part Description	Code / Voltage	Royal Part #	Coke Part #
1	P.O.S. WINDOW PLATE	COKE / METAL		123503	505057
2	CATCH BASIN-BILL VALIDATOR	GII / SALTING TRAY		095590	
	CATCH BASIN ASSY	CC 79 VANDAL RESISTANT VRD		147550	510540
	CATCH BASIN ASSY	CC 72 W VANDAL RESISTANT VRD		148530	513244
	CATCH BASIN ASSY	CC 72 N VANDAL RESISTANT		149560	
	CATCH BASIN ASSY	CC 79 CDC		161580	507509
	CATCH BASIN ASSY	CC 72 CDC		162530	507510
3	SWITCH MINIATURE	MOTOR, S/O BAR, COKE SELECT BUTTON		835001	
4	T HANDLE BODY	ALL EXCEPT VANDAL RESISTANT COKE		812134	505336
5	T HANDLE STUD	ALL EXCEPT VANDAL RESISTANT COKE		803006	544304
6	RETAINING RING FOR THE T-HANDLE	C-CLIP		912157	541296
7	T-HANDLE BRACE	ALL COKE /VANDAL RESISTANT PC		141513	500985
	T-HANDLE BRACKET	ALL COKE /VANDAL RESISTANT PC		011505	
	T HANDLE	FLUSH MOUNT FOR ROYAL DISPLAY		812138	
	T HANDLE ASSEMBLY	ALL EXCEPT VANDAL RESISTANT COKE		812001	541427
	T-HANDLE ASSEMBLY	ALL COKE /VANDAL RESISTANT PC		812176	503838
	T-HANDLE ASSEMBLY	AUSTRALIA (OLD STYLE)	AU / NZ	812258	
	T-HANDLE ASSEMBLY	AUSTRALIA (NEW STYLE)	AU / NZ	812293	
	T-HANDLE ASSEMBLY LESS HOUSING	Coke Steel Door		812317	
	T-HANDLE ASSEMBLY LESS HOUSING	Coke CCR		812318	
	T-HANDLE ASSEMBLY LESS HOUSING	Dr Pepper Vision IV		812319	
	T-HANDLE ASSEMBLY LESS HOUSING	GIII Plus		812320	
	T-HANDLE ASSEMBLY LESS HOUSING	GIII Plus CCR		812321	
8	HINGE COIN RETURN LEVER	COIN INSERT VRD		141506	504227
9	COIN RETURN LEVER	COIN INSERT VRD		141504	
	COIN RETURN BUSHING	ALL / COIN RETURN BUTTON VRD		803030	501352
	COIN RETURN LEVER ASSY	ABOVE ESCROW LEVER ON CHANGER CDC		161593	507522
10	RETAINING STRAP	FLAVOR CARD CARRIER VRD		141507	503490
	RETAINING STRIP	GAS		285504	
11	FLAVOR STRIP CARRIER	CC NEW COKE DOOR VRD		815167	503839
12	SELECTION BUTTON	NEW COKE DOOR VRD		815165	508044
	PUSH BUTTON	COKE		815006	541423
13	COKE BUTTON PANEL	CC NEW COKE DOOR VRD		815168	508048
	BUTTON PANEL	COKE GAS ISLAND 7 SELECT		285507	
	9 SELECT BUTTON PANEL ASSY	CC SELECT REGULAR VRD		143540	503322
	9 SELECT BUTTON PANEL ASSY	CC 9 SELECT MERLIN VRD		143930	506841
	BUTTON PANEL PLATE	7 SELECT COKE		123504	
	BUTTON PANEL ASSY	GII OLD STYLE DOOR		095580	
14	BUTTON COIN RETURN LEVER	BUTTON ONLY VRD		803031	504229
15	POS WINDOW	COKE / PLASTIC ONLY		815007	542138
16	PIN FOR T-HANDLE	TO CONNECT STUD TO HANDLE		912133	542181

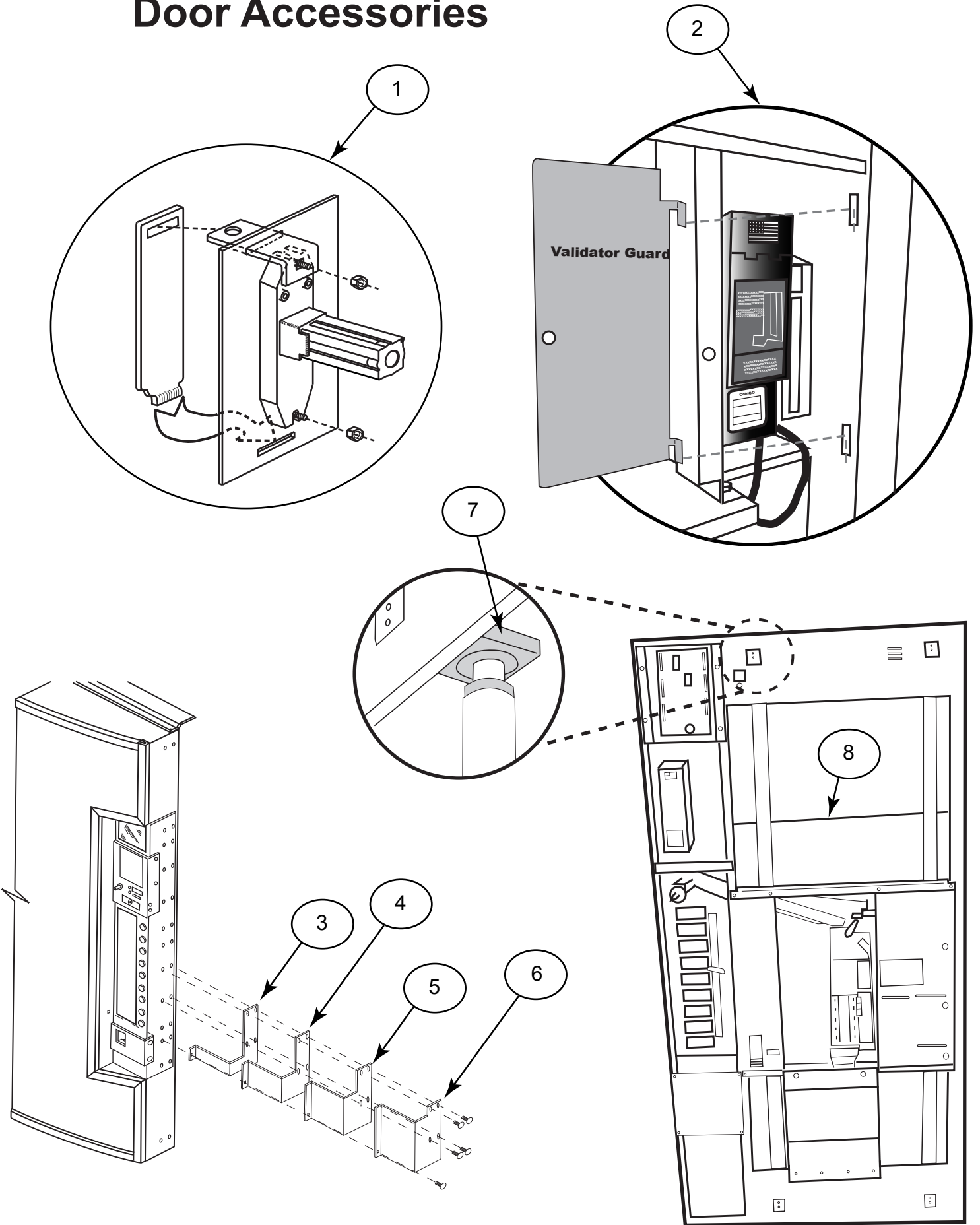
Changer Vault



Changer Vault

Item #	Part Name	Part Description	Code / Voltage	Royal Part #	Coke Part #
1	COIN BOX PLASTIC	ALL CDC		815347	
	COIN BOX WELD ASSY	WIDE		010580	541442
	COIN BOX WELD ASSY	COKE 57 1/2" N		038520	
	COIN BOX WELD ASSY	CC/PC CDC		161570	507165
	COIN BOX HOUSING W/A	ALL CDC		273540	513732
2	COIN BOX HOUSING	CDC		273540	513521
	COIN BOX HOUSING	ALL VENDORS (EXCEPT CDC)		010537	505543
	COIN BOX/VALIDATOR GUARD KIT	ALL		011190	544245
	COIN BOX GUARD	FOR VENDORS W/O VALIDATOR		011147	513358
	SAFEGUARD COIN BOX	ALL VENDORS		010171	
	CASH BOX LOCK	LOCK CASH BOX KIT		812054	
	SAFEGUARD FUNNEL			812110	
	SAFEGUARD BOX W/KEYS			812111	
	SAFEGUARD BOX KIT -15"	79" COKE		141127	
	HONOR GARD MULTI PRICE	DOUBLE BAG SYS. BAG #20 CDC NORFOLK VA		812256	
	OPENER COIN CUP ASSY.	PLASTIC		010565	545508
	COIN CUP PLATE	USED W/OPENER COIN CUP		010552	502778
	W / A COIN BOX CHUTE	GII CDC		231519	
	COIN CUP CONTOUR BOTTLE	3 DEEP+ CDC		231101	
	COIN DEFLECTOR	COKE / COIN CHUTE CDC		161526	507145
3	COIN CHUTE ASSY	79 CDC		161590	506843
	COIN CHUTE ASSY	72 COKE CDC		162540	506842
	COIN CHUTE ASSY	ALL STANDARD VENDORS		010532	505542
	COIN CHUTE ASSY	EXPORT - CDC EXCEPT 72 COKE & DP	ALL EXCEPT CN	161582	
	COIN CHUTE ASSY	EXPORT - CDC 72 CC ONLY	ALL EXCEPT CN	162522	
	BOTTOM COIN CHUTE ASSY.	COKE		010594	503659
	COIN CHUTE BRACKET	79" COKE CDC		161527	507507
COIN CHUTE BRACKET	72" COKE CDC		162502	501745	
5	SUPPORT BRACKET	HOLDS COIN CHUTE CDC		161537	501746
6	CHANGER VAULT BRACE	HOLDS BOTTOM OF CHANGER VAULT		161518	507863
7	LOCK CYLINDER COVER	COKE / AROUND T-HANDLE HOUSING CDC		161532	507513
	LOCK CYLINDER COVER	NEW COKE		141561	
8	COIN HOPPER	ALL VENDORS		815015	542160
9	HOPPER MOUNTING BRACKET	COKE CDC		161515	507508
10	PORT BRACE W/A	HOLDS TOP OF CHANGER VAULT CDC		161541	507512
	PORT BRACE	ALL NARROW VENDORS/TOP AND BOTTOM BRACE		036502	
11	BUTTON LEVER ASSY	COIN INSERT/COIN RETURN CDC		161594	507506
	CHANGER DOOR	IEC		010587	
12	3/64" DIA. GALV. CABLE	CDC		911032	

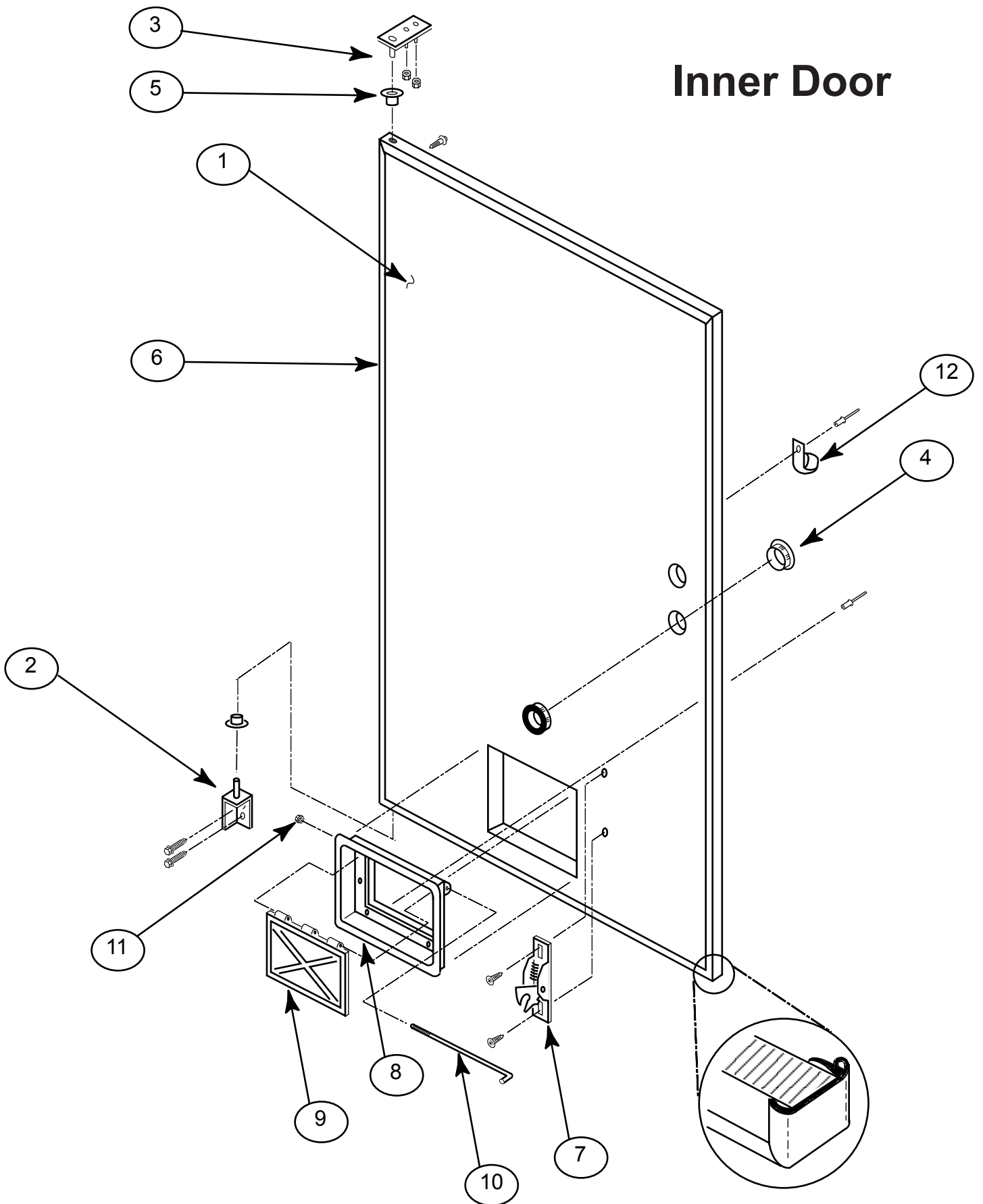
Door Accessories



Door Accessories

Item #	Part Name	Part Description	Code / Voltage	Royal Part #	Coke Part #
1	LOCK COVER ASSEMBLY	WITH INSTRUCTIONS / CCR		290042	
	LOCK COVER ASSEMBLY	BEFORE RUN CC 1172, CD 1032, PC1045 2PCS		010110	545506
	LOCK COVER ASSEMBLY	CD 1033 & NEWER, CC 1173 TO 1207 3PCS		011140	544248
	LOCK COVER ASSEMBLY	NEW COKE VANDAL RESISTANT 1207 & UP		141110	507233
	STRIKE/LOCK PLATE	VANDAL RESISTANT		810039	
	LOCK PLATE	VANDAL RESISTANT		810038	
	LATCH PLATE	FOR RUN 1173 TO 1207		810020	
	LOCK PLATE	FOR RUN 1173 TO 1207		810019	505349
2	VALIDATOR SECURITY DOOR KIT	CCR		290131	
3	BUTTON COVER	8 SEL COVERS BOTTOM BUTTON VRD		147101	545512
4	BUTTON COVER	7 SEL COVERS BOTTOM (2) BUTTONS VRD		147102	505758
5	BUTTON COVER	6 SEL COVERS BOTTOM (3) BUTTONS VRD		147103	
6	BUTTON COVER	5 SEL COVERS BOTTOM (4) BUTTONS VRD		147104	511253
7	LAMP BRACKET	ALL VENDORS		010517	541464
8	TIE ROD	NARROW DOOR		811005	
	TIE ROD - DOOR	5/32 DIA X 28.31 WIDE DOOR		811001	
	FUSE BOX ASSY. W / LEADS	MERLIN / 3 AMP / GII / GIII		095114	
	FUSE BOX ASSY.	MERLIN / 3 AMP / GII / GIII		842219	

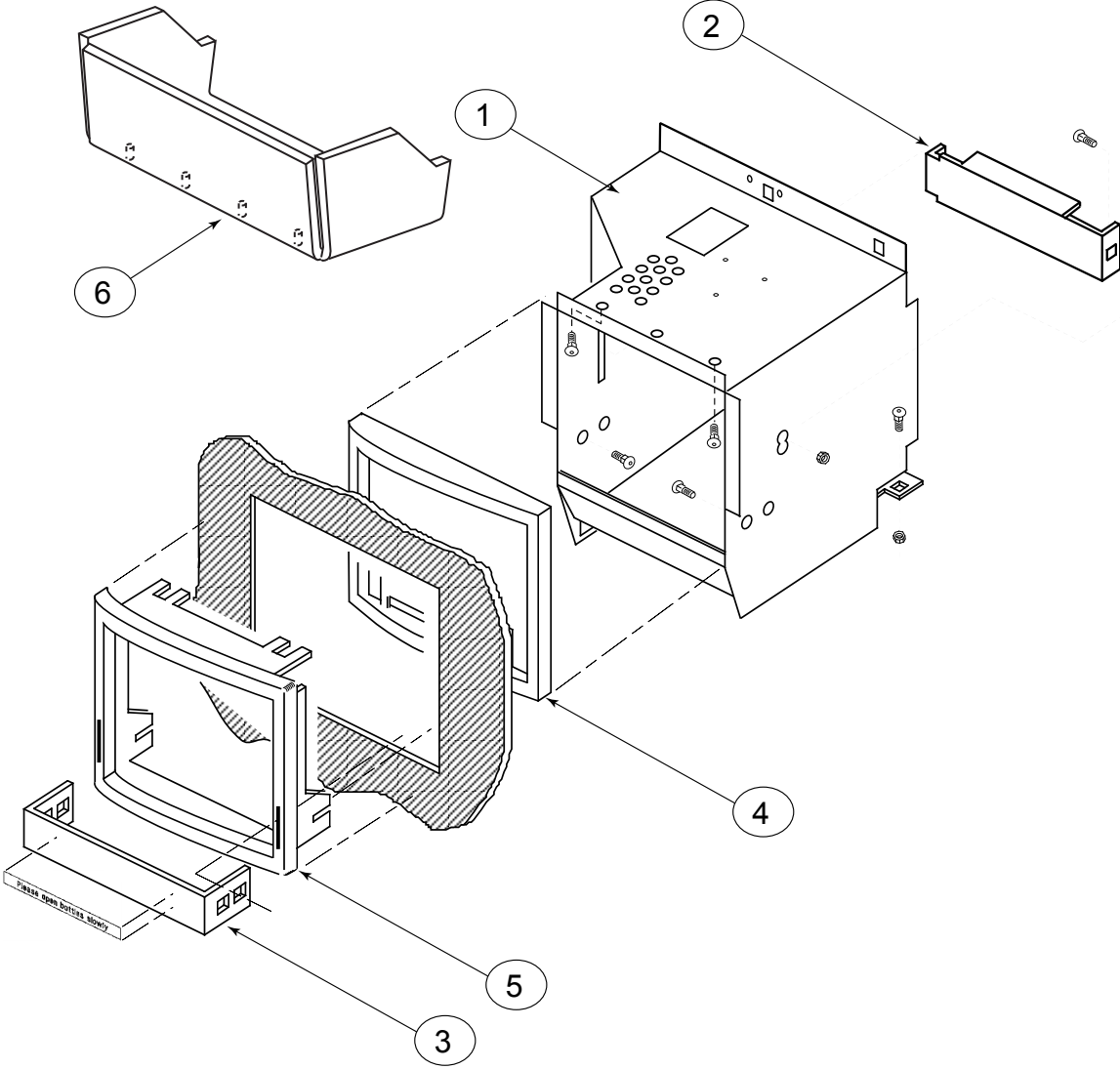
Inner Door



Inner Door

Item #	Part Name	Part Description	Code / Voltage	Royal Part #	Coke Part #
1	INNER DOOR ASSEMBLY	72" GIII		211607	509935
	INNER DOOR ASSEMBLY	72" NARROW		036620	
	INNER DOOR ASSEMBLY	72" (RUN 1405 & BEFORE)		011620	
	INNER DOOR ASSEMBLY	79 1/2" (RUN 1405 & BEFORE)		010650	
	INNER DOOR ASSEMBLY	79" GIII		210609	
	INNER DOOR ASSEMBLY	G II 79 1/2 (RUN 1405 & BEFORE)		095640	
	INNER DOOR ASSEMBLY	G II 72" (RUN 1405 & BEFORE)		096630	
	INNER DOOR ASSY, WIDE 72"	MARKETING		291605	
	INNER DOOR ASSY, WIDE 79"	MARKETING		290605	
	INNER DOOR ASSY, NARROW 72"	MARKETING		293605	
	INNER DOOR COMPLETE ASSY. 79"	20 PLUS		296610	
	INNER DOOR ASSEMBLY	79" GIII AUSTRALIA	AU / NZ	210613	
	INNER DOOR ASSEMBLY	79" GIII MARKETING AUSTRALIA	AU / NZ	291609	
2	INNER DOOR HINGE ASSY	BOTTOM		010550	504711
	INNER DOOR HINGE ASSY	BOTTOM (QUICK DISCONNECT)		296504	
3	INNER DOOR HINGE ASSY	TOP		010520	511259
4	BUSHING 1 3/8	HEYCO SB 1375-16		916003	543609
5	INNER DOOR BUSHING	FOR TOP AND BOTTOM HINGES		815026	507492
6	INNER DOOR GASKET	72" WIDE		815032	509892
	INNER DOOR GASKET	57 1/2"		815046	
	INNER DOOR GASKET	72" NARROW		815044	
	INNER DOOR GASKET	79" WIDE		815033	543311
	INNER DOOR GASKET	20 PLUS 72" WIDE		815351	
	INNER DOOR GASKET	20 PLUS 79" WIDE		815350	
	INNER DOOR LOCK CAM	INNER DOOR WITH NEW GASKET (OFFSET CAM)		912187	511232
	INNER DOOR LOCK	INNER DOOR LOCK		812055	
	LATCH ROLLER BRACKET	FOR INNER DOOR LATCH STRIKE		010516	505711
7	BURST OPEN LATCH	FOR INNER DOOR		812002	504720
	BURST OPEN LATCH STRIKE ASSY	MARKETING / CCR		290546	
8	INNER DOOR PORT FRAME	1.8 GIII		815191	512473
	PORT FRAME	FOR INNER DOOR		815013	541422
9	INNER DOOR PORT DOOR	1.4 GIII		815192	510327
	PORT DOOR	FOR INNER DOOR		815014	541318
10	PORT DOOR ROD	GIII		811028	510438
	PORT DOOR ROD	.125 DIA X 8.31 LONG		811004	543316
11	6-32 SELF LOCKING HEX NUT	6/32 NUT		905006	506117
8-11	PORT FRAME ASSEMBLY			810053	
12	CABLE CLAMP 1"	NYLON 1/2 WIDE		916004	510572

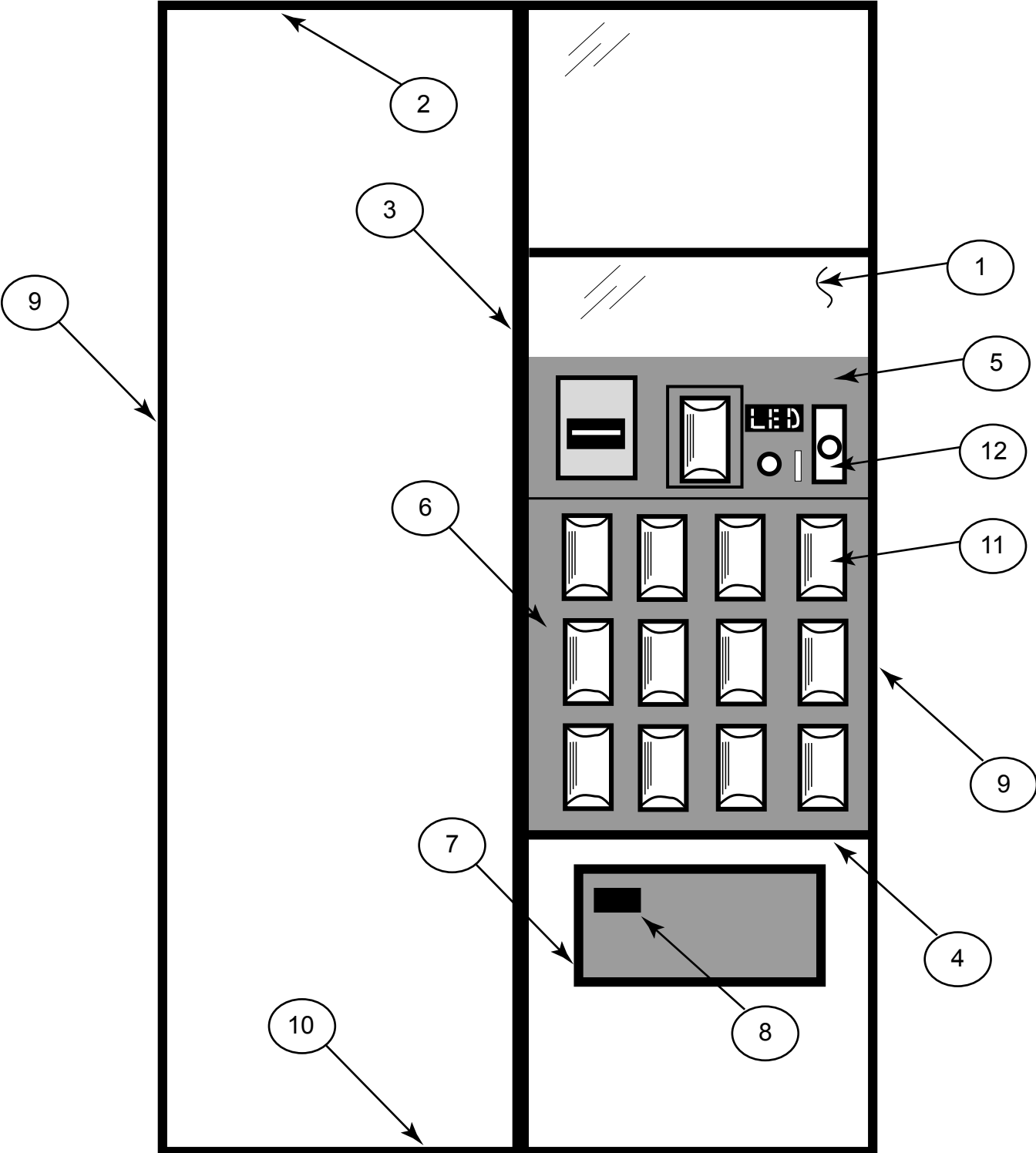
Port



Port

Item #	Part Name	Part Description	Code / Voltage	Royal Part #	Coke Part #
1	PORT BODY W/A	GIII / ALL CC / CD		210510	
	PORT W/A, MARKETING			290540	
	WELDED PORT ASSY.	COKE/DR PEPPER		010530	541445
	COIN BOX / PORT BODY W/A	COKE CDC		161560	
	CAN PORT ASSY. COMPLETE	COKE WIDE		010595	
	PORT W/A	20 PLUS MARKETING		296520	
2	ANTI-THEFT PLATE	ALL VENDOR EXCEPT 16 OZ & C.D.C.		210505	
	ANTI-THEFT PLATE	BOTTLES		141102	508042
	ANTI-THEFT PLATE	GIII/CDC		231504	509539
	ANTI-THEFT PLATE	CDC/BOTTLES CDC		161545	
	ANTI-THEFT PLATE	RUN 1349 AND BEFORE CDC		161504	507519
	ANTI-THEFT PLATE	FD / CD / VRD		278509	
	ANTI-THEFT PLATE	CC / VRD / CANS		210549	514368
	ANTI THEFT PLATE, MARKETING			290519	
	ANTI-THEFT PLATE	20 PLUS MARKETING		296505	
	3	CAN STOP	ALL VENDORS / METAL		010508
4	PORT SPACER	CC, CD, DP		815020	544108
5	PORT TRIM	ALL VENDORS / PLASTIC		815019	542157
	PORT HOLE SEALER	GIII		826008	
	PORT BRACKET	COKE CONTOUR BOTTLE		210542	
6	PORT BOX PADDING	20 PLUS MARKETING		826017	
	PORT FOAM	MARKETING GIII+		826026	

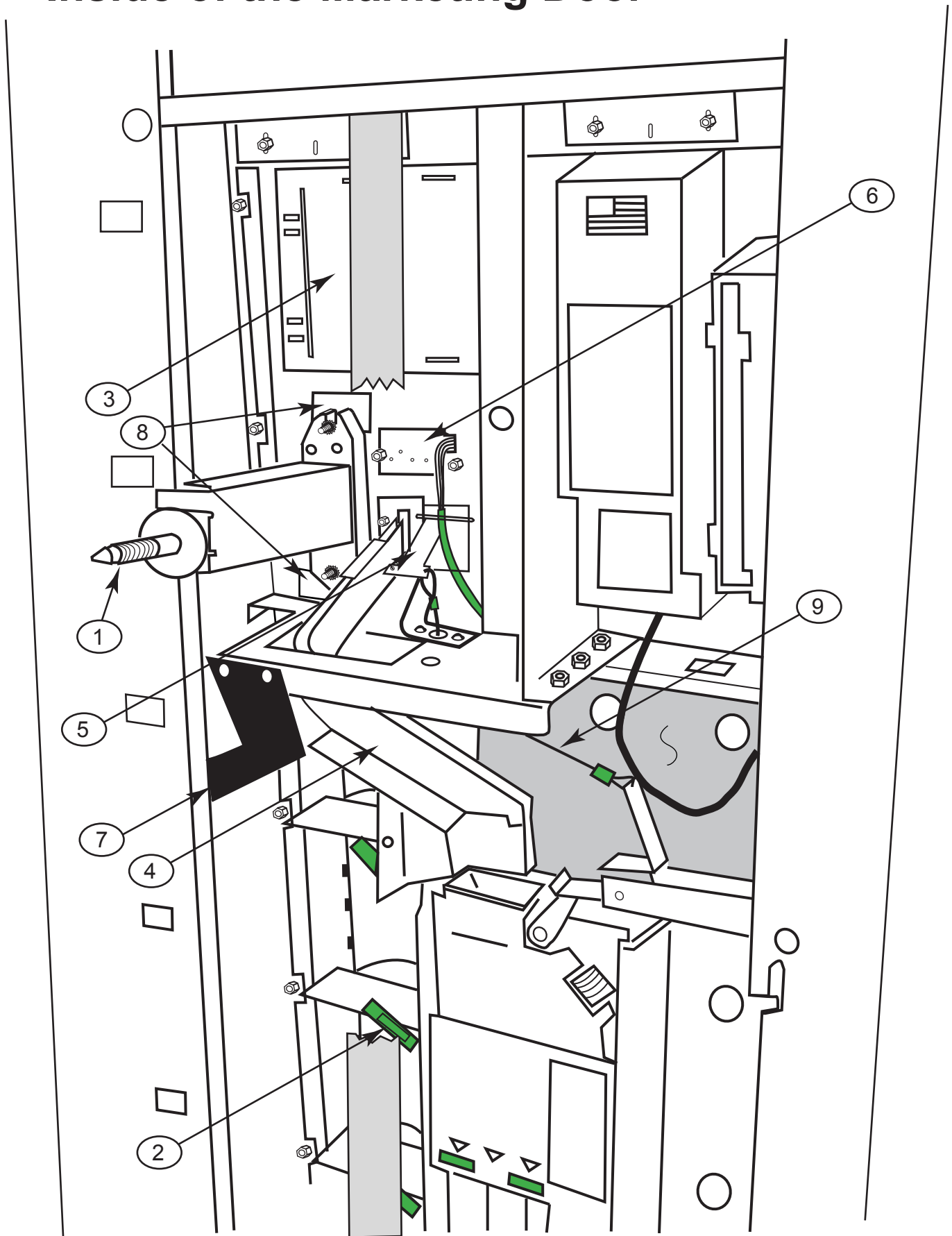
Outside of the Marketing Door



Outside of the Marketing Door

Item #	Part Name	Part Description	Code / Voltage	Royal Part #	Coke Part #
1	P.O.S. WINDOW / CCR / LEXAN			815304	
2	SIGN TRIM TOP, WIDE 72"/79"	MARKETING		290587	
3	SIGN TRIM CENTER 79"	(VERTICAL TRIM) CCR		290596	
	SIGN TRIM CENTER 72"	(VERTICAL TRIM) CCR		291509	
4	SIGN TRIM- FLAT, 28", MARKETING			290597	
5	CONTROL PANEL ASSY CCR	MARKETING		290599	
6	BUTTON PANEL ASSY W/HARNESS	MARKETING		290566	
	BUTTON PANEL ASSY	20 PLUS		296512	
7	PORT TRIM	MARKETING / RED		290516	
8	COIN CUP MARKETING			290522	
9	SIGN TRIM LT/RT 79"	MARKETING		290589	
	SIGN TRIM LT/RT 72"	MARKETING		291508	
10	SIGN TRIM BOTTOM, WIDE	MARKETING		290588	
11	SELECT BUTTON	CCR		815272	
12	T-HANDLE ASSY MARKETING	CCR		812271	
	T-HANDLE ASSY MARKETING	CCR 1504 & AFTER		812290	
	T-HANDLE ASSY MARKETING	CCR	AU / NZ	812288	
	T-HANDLE ASSY MARKETING	CCR 1504 & AFTER	AU / NZ	812294	

Inside of the Marketing Door



Inside of the Marketing Door

Item #	Part Name	Part Description	Code / Voltage	Royal Part #	Coke Part #
1	T-HANDLE ASSY MARKETING	CCR		812271	
2	SELECT SWITCH - CHERRY	CCR		835001	
3	P.O.S. / CCR WINDOW PLATE			290535	
4	COIN CHUTE ASSY	CCR		290564	
5	COIN RETURN LEVER ASSY	CCR		291529	
6	L.E.D ASSY MARKETING	CCR		291525	
7	WATER DIVERTER MARKETING	CCR		815298	
8	LOCK COVER HOLE BLOCK KIT	CCR W/O LOCKCOVER		290044	

Shims

Part Name	Part Description	Code / Voltage	Royal Part #	Coke Part #
12 OZ. FORMED CAN SHIM	NARROW COL /16 OZ. 3 DEEP		201101	508029
FORMED CAN SHIM	NARROW COLUMN 3 DEEP (.375 THK.)		058129	
FORMED SHIM-NARROW	2-D		011179	503745
FORMED SHIM-RIGHT	.31 THICK		011196	501883
FORMED SHIM-LEFT	.31 THICK		011197	501884
10 OZ. FLAT SHIM	WIDE/3-DEEP		058105	545495
3 DEEP FLAT SHIM	20GA.		119708	
3 DEEP FLAT SHIM	12GA.		108711	509934
3 DEEP FLAT SHIM	16 GA.		108715	
3 + DEEP FLAT SHIM	WIDE		201135	
3 DEEPFLAT SHIM	FOR BOTTLE VENDORS / 20 OZ WIDE COL ONLY		108709	501812
FLAT SHIM RIGHT SIDE	20 GA (NO NOTCH)		011177	509158
FLAT SHIM WIDE / COLUMN	20 GA.		010128	502780
W/A SHIM RIGHT	3 DEEP / .28 THICK		058180	508018
W/A SHIM LEFT	3 DEEP / .28 THICK		058190	508017
W/A LEFT SHIM	1 PER WIDE COL GATORADE/POWERADE 540		108730	508039
W/A RIGHT SHIM	1 PER WIDE COL GATORADE/POWERADE 540		108740	508040
10 OZ BOTTLE SHIM	2 DEEP NARROW COLUMN		010107	
12 OZ CAN SHIM	NARROW SHIM 16 OZ 3 DEEP		201102	511387
10 OZ. NAR. CAN SHIM/COL	2-DEEP/MERLIN		010143	502776
10 OZ. CAN SHIM/COL	WIDE		010118	501441
6 OZ. CAN SHIM/COLUMN	2-DEEP/MERLIN		010144	501882
3 D WIDE COLUMN SHIM RIGHT	STANDARD REAR CAN SHIM 552		058714	513310
3 D WIDE COLUMN SHIM LEFT	STANDARD REAR CAN SHIM 552		058715	545497
3 D NARROW COLUMN SHIM	STANDARD REAR CAN SHIM 552		058707	513309
NARROW SHIM 3 DEEP	16OZ BOTTLE		058138	
WIDE SHIM LEFT	20 OZ BOTTLES 3 DEEP		058136	511336
WIDE SHIM LEFT 16 OZ CAN	3 DEEP WIDE COLUMN		058126	
WIDE SHIM RIGHT	20 OZ 3 DEEP		058135	511335
WIDE SHIM RIGHT 16 OZ CAN	3 DEEP WIDE COLUMN		058125	
3 DEEP SHIM ROD	FOR BOTTLE SHIM KITS		803009	508374
SHIM ROD	FOR BOTTLE SHIM KITS		803007	503744
ROD SPRING	SHIM ROD		914006	500065
TIE STRIP SHIM	MERLIN		011189	
NARROW SHIM	10 OZ CAN 3 DEEP NARROW COLUMN		058124	
FLAT SHIM	WIDE COLUMN / 3 DEEP + (12 GA.)		201105	
FLAT SHIM	WIDE COLUMN / 3 DEEP+ (20 GA)		201107	
FLAT SHIM	20 OZ BOTTLE / 3 DEEP+		201125	
FLAT SHIM	3 DEEP+ / 16 GAUGE		201128	
12 OZ FORMED CAN SHIM	NARROW COLUMN / 16 OZ / 3 DEEP+		201106	514318
FORMED CAN SHIM	NARROW COLUMN / 3 DEEP+ (.375 THK)		201115	
FORMED SHIM	LEFT 3 DEEP+ WIDE COLUMN		201109	
FORMED SHIM	NARROW COLUMN / 3 DP+		201122	
6 OZ CAN SHIM	NARROW COLUMN / 3 DP+ / MERLIN		201121	
10 OZ CAN SHIM	NARROW COLUMN / 3 DP+		201118	
12 OZ CAN SHIM	NARROW SHIM / 16 OZ / 3 DEEP+		201108	514317
NARROW SHIM	3 DEEP+ / 12 OZ CAN		201721	
NARROW SHIM	16OZ BOTTLE		201132	
W/A SHIM RIGHT	3 DEEP+ / .280 THICK		201160	514320
W/A SHIM LEFT	3 DEEP+ / .280 THICK		201170	514321
W/A SHIM LEFT	3 DEEP+ / POWERADE		201182	
W/A SHIM RIGHT	3 DEEP+ / POWERADE		201183	
WIDE SHIM RIGHT	3 DEEP+ MERLIN / 12 OZ CAN		201722	
WIDE SHIM LEFT	3 DEEP+ MERLIN / 12 OZ CAN		201723	
WIDE SHIM RIGHT	20 OZ BOTTLE / 3 DEEP+		201129	
WIDE SHIM LEFT	20 OZ BOTTLE / 3 DEEP+		201131	
SHIM HANGING ROD	NARROW		811006	504719

Part Name	Part Description	Code / Voltage	Royal Part #	Coke Part #
SHIM HANGING ROD	5/32 DIA X 33.5 LONG		811003	
SMALL WATER BOTTLE VEND KIT	79"MERLIN 4 (2.500")		256110	
SMALL WATER BOTTLE VEND KIT	72" MERLIN 4 (2.500")		257110	
FILLER PLATE KIT			118110	
12 OZ DASANI PET BOTTLE KIT	72 GII REAR COLUMN		096143	
12 OZ DASANI PET BOTTLE KIT	79 GII REAR COLUMN		095143	
12 OZ DASANI PET BOTTLE KIT	NARROW COLUMN - 3 DEEP+		058153	
12 OZ DASANI PET BOTTLE KIT - WIDE COL.	3 DEEP PRIOR TO 1352		058152	
12 OZ DASANI PET BOTTLE KIT - NARROW COL.	3 DEEP PRIOR TO 1352		058151	
12 OZ DASANI PET BOTTLE KIT - WIDE COL.	3 DEEP+ 16 OZ (510, 609, 540, 630)		202154	
12 OZ DASANI PET BOTTLE KIT - NARROW COL.	3 DEEP+ 16 OZ (510, 609, 540, 630)		202153	
12 OZ DASANI PET BOTTLE KIT - WIDE COL.	3 DEEP 16 OZ (510, 609, 540, 630)		202152	
12 OZ DASANI PET BOTTLE KIT - NARROW COL.	3 DEEP 16 OZ (510, 609, 540, 630)		202151	
12 OZ DASANI PET BOTTLE KIT	79 GIII FRONT COLUMN PRIOR TO 1463		231144	
12 OZ DASANI PET BOTTLE KIT	79 GIII FRONT COLUMN 1463 & AFTER		231143	
12 OZ DASANI PET BOTTLE KIT	72 GIII FRONT COLUMN PRIOR TO 1463		232144	
12 OZ DASANI PET BOTTLE KIT	72 GIII FRONT COLUMN 1463 & AFTER		232143	
12 OZ DASANI PET BOTTLE KIT - WIDE COL.	3 DEEP+		058154	

Harnesses

DOOR WIRING HARNESS	7 SEL CC MERLIN		012934	
DOOR WIRING HARNESS	6 SEL CC NARROW MERLIN		040915	
DOOR WIRING HARNESS	9 SELECT CC MERLIN (1207 & LESS)		143904	
DOOR WIRING HARNESS	9 SEL CC MERLIN CDC		163902	
DOOR WIRING HARNESS	7 SELECT CC MERLIN		141911	
DOOR WIRING HARNESS	7 SEL CC MERLIN C.D.C.		161902	508371
DOOR WIRING HARNESS	6 SELECT NV CC MERLIN		149905	
DOOR WIRING HARNESS	5 SELECT NARROW COKE MERLIN		150905	
DOOR WIRING HARNESS	5 SELECT CC MERLIN (540-5)		108901	
DOOR WIRING HARNESS	8 SEL PC/CD MERLIN C.D.C.		195902	513994
DOOR WIRING HARNESS	9 SELECT CC REGULAR (1207 & LESS)		015505	503666
DOOR WIRING HARNESS	7 SELECT CC REG (1207 & LESS)		010576	
DOOR WIRING HARNESS	6 SELECT NV CC REGULAR (1207 & LESS)		036511	505451
DOOR WIRING HARNESS	6 SEL WIDE CC REG.		027504	
CABINET WIRING HARNESS	9 SELECT CC MERLIN		017904	513993
CABINET WIRING HARNESS	9 SELECT CC 618-9 MERLIN		220901	
CABINET WIRING HARNESS	7 SELECT CC MERLIN		012907	
CABINET WIRING HARNESS	6 SELECT NV CC MERLIN		040903	
CABINET WIRING HARNESS	5 SELECT CC (540,630) MERLIN		114701	
CABINET WIRING HARNESS	9 SELECT CC REGULAR		015717	500239
CABINET WIRING HARNESS	7 SELECT CC REGULAR		010752	500240
SELECT PANEL HARNESS	9 SELECT CC MERLIN		143901	513418
SELECT PANEL HARNESS	8 SEL COKE MERLIN C.D.C.		169901	
SELECT PANEL HARNESS	8 SEL CC NON-SEQUENCED MERLIN		154901	
SELECT PANEL HARNESS	7 SELECT CC MERLIN		141906	510543
SELECT PANEL HARNESS	6 SEL 282 N-/6 SEL WIDE CC MERLIN		149903	
SELECT PANEL HARNESS	5 SEL NV CC (310-5) MERLIN		153901	
EXTERNAL D.E.X HARNESS	5.09 AND HIGHER, 10.00, 11.00 (EXTERNAL)		842119	545249
DEX ROYAL HARNESS	ROYAL -- DEX (INTERNAL)		842099	508024
DEX HARNESS	GII VII MIS / INTERNAL DEX		842148	507782
PHONE JACK HARNESS ASSY	GII INTERNAL CSA 1204 AND AFTER		842110	
EXTERNAL PHONE JACK	GII / GIII RUN 1166 AFTER		842095	510844
IRON FERRITE JUMPER ASSY	FOR BOARD		011103	509936
IRON FERRITE JUMPER ASSY	FOR BALLAST		010175	
INTERFACE MOTOR HARNESS	VERSION 1 OR 2 TO VERSION 5 OR 6		842065	501755
INTERFACE VALIDATOR HARNESS	VERSION 1 OR 2 TO VERSION 5 OR 6		842066	502381
TRANSFORMER HARNESS	GII VII / GIII		842147	502391
TRANSFORMER HARNESS ASSY	ALL 220V EXCEPT	NI / ML / UK	842220	

Part Name	Part Description	Code / Voltage	Royal Part #	Coke Part #
TRANSFORMER HARNESS ASSY	240V	NI / ML / UK	842221	
HARNESS ASSY	DOOR SWITCH GII / GIII PRIOR TO 1521		842047	509815
VEND SELECT HARNESS ASSY.	GII /GIII		842044	
HOME SENSOR DOOR SWITCH	NON CDC GIII+ RUN 1521 & AFTER		842228	
MOTOR/ENCODER LINE HARN. ASSY	MOTOR HARNESS GII (CABINET SIDE)		842082	543369
MOTOR/ENCODER HARNESS ASSY	BOARD HARNESS GII (DOOR SIDE)		842083	
DOOR SWITCH ACTIVATOR			231009	
HARNESS ASSY HOME SW/DOOR	NON CDC GIII+ EXCEPT CCR PRIOR TO 1521		842080	508014
POWER LEAD	FEMALE END FROM LINE FILTER		842030	507413
REFRIGERATION /RELAY HARNESS	CABINET SIDE		842237	
REFRIGERATION /RELAY HARNESS	DOOR SIDE		842236	
REFRIGERATION RELAY HARNESS	WIDE DOOR SIDE CDC MERLIN III		842235	
HARNESS ASSEMBLY	LAPTOP TO DEX PHONE JACK		842187	
FLEXIBLE TUBING	1" DIA X .028 WALL		825001	
FLEXIBLE TUBING	3/8" DIA X .028 WALL		825002	
FLEXIBLE TUBING	3/4" DIA X .028 WALL		825003	
FLEXIBLE TUBING	1/4" DIA X .028 WALL		825023	
FLEXIBLE TUBING	1 1/4 " DIA		825040	
.187 RECEPT.	1 WIRE / TERMINAL END		940001	
.187 RECEPT.	2 WIRE / TERMINAL END		940002	
HOUSING 3 WAY	FOR MINI SWITCH		940003	
RELAY TERMINAL	REG. .187 FOR RELAY SOCKET		940005	
HOME SEN/DOOR SW/CHUTE SEN	CCR ONLY PRIOR TO 1521		842212	
HOME SENSOR DOOR SWITCH	HARNESS CDC / CCR		842229	
HARNESS ASSY/TRANSFORMER	RUN 1204-0646 AND AFTER GII		842107	
HARNESS ASSY/ TRANSFORMER	INLINE TO TRANS. RUN 1290 AND AFTER GII		842142	505247
CHANGER PLUG HARNESS	C.D.C. FOR "L" CHANGER RUN 1374 AFTER		195906	
CHANGER PLUG HARNESS ASSY	MERLIN		010914	
COIN CHANGER RECEPTACLE	ELECTRO-MECH/JONES PLUG TERMINAL		940004	
COIN CHANGER SOCKET	ELECTRO-MECH/JONES PLUG HOUSING		940009	
15 WAY CHANGER SOCKET	MERLIN		840059	
TEMPERATURE SENSOR HARNESS	20 PLUS MARKETING (DOOR SIDE)		822048	
HARNESS SERIAL CHANGER EXTENSION	20 PLUS MARKETING (KO CONTROLLER)		842244	
13 SELECTION HARNESS	20 PLUS MARKETING		842242	
12 COLUMN MECH. HARNESS	20 PLUS		842241	
POWER SUPPLY	20 PLUS MARKETING (DOOR SIDE)		842239	
POWER SUPPLY	20 PLUS MARKETING (CABINET SIDE)		842238	
REFRIGERATION CONTROL RELAY HARNESS	20 PLUS MARKETING (CABINET SIDE)		842237	
REFRIGERATION CONTROL RELAY HARNESS	20 PLUS MARKETING (DOOR SIDE)		842235	
MAIN WIRING HARNESS	20 PLUS		842234	
DOOR MECH. HARNESS	20 PLUS MARKETING (KO CONTROLLER)		842232	
FRENCH CHANGE HARNESS	MERLIN EXECUTIVE MECH	FR	011119	
FRENCH CHANGE RELAY HARN.	MERLIN EXECUTIVE MECH	FR	011118	

Accessories

DEBIT CARD READER KIT	72" GII VII / GIII ONLY		147515	510733
KEY SWITCH LOCK KIT	REG		012151	507835
INVENTORY PARTS KIT	GIII		210054	
SMALL PACKAGE EXTRUSION KIT	79" SINGLE FRONT COL PRIOR RUN 1379 GIII		210790	509786
SMALL PACKAGE EXTRUSION KIT	79" SINGLE REAR COL PRIOR RUN 1379 GIII		210795	509788
SMALL PACKAGE EXTRUSION KIT	79" SINGLE FRONT COL AFTER 1379 TO 1463GIII		210770	509787
SMALL PACKAGE EXTRUSION KIT	79" SINGLE REAR COL AFTER RUN 1379 GIII		210780	509789
SMALL PACKAGE EXTRUSION KIT	79 F COL. AFTER 1464 EXCEPT 1465 &1467		211725	

Part Name	Part Description	Code / Voltage	Royal Part #	Coke Part #
SMALL PACKAGE EXTRUSION KIT	72" SINGLE FRONT COL PRIOR RUN 1379 GIII		211740	509782
SMALL PACKAGE EXTRUSION KIT	72" SINGLE REAR COL PRIOR RUN 1379 GIII		211750	509784
SMALL PACKAGE EXTRUSION KIT	72"S. FRONT COL AFTER 1379 THRU 1463 GIII		211720	509783
SMALL PACKAGE EXTRUSION KIT	72" SINGLE REAR COL AFTER RUN 1379 GIII		211730	509785
SMALL PACKAGE EXTRUSION KIT	72 F COL. AFTER 1464 EXCEPT 1465 &1467		210775	
DUAL PRICE CHANGER RELAY	ANTI THEFT KIT ELECTRO-MECH		011199	
VEND COUNTER ASSEMBLY	110 VOLT		010150	544258
DEBITEK PLATE ASSEMBLY	FOR MOUNTING CARD READER (DEBITEK)		141103	

Screws, Bolts, Washers, Etc.

SCOTCH LOCK CONNECTOR	WIRE CONNECTOR		942128	505086
#6-32 X 1/4 PHILIP	BRASS SCREW		901013	
BUSHING 1/2	HEYCO B-500-375		916002	
CABLE CLAMP	5/16 R		916014	544287
CARRIAGE BOLT	1/4-20 X 1/2 LG EMPIG.		901007	
CARRIAGE BOLT	1/4-20 X 1" LG EMPIG.		901008	508046
CARRIAGE BOLT	1/4"-20 X 3/4" LG. (FOR LOCK COVER)		901045	
FLAT WASHER	3/8 ID X 3/4 - 7/8 OD GVN STEEL		904002	
FLAT WASHER	3/4 OD X 5/16 ID X 1/16 THK		904006	
FLAT WASHER NYLON	7/16 ID X .875 OD X .045 THK		904001	
WELL NUT	FOR EVAP. FAN MOTOR		905026	
GROOVE PIN	5/32 DIA X 1 1/16		906003	
GROOVE PIN	5/32 DIA X 3/4 LONG		906004	
KEPS NUT	#8-32 W/EX TOOTH WS		905001	
KEPS NUT	1/4-20 W/EX TOOTH WS		905002	509937
NYLINER 1/2	THOMSON 8L2-FF TYPE7		916010	
NYLINER 1/2	THOMSON 616-F TYPE5		916012	
NYLINER 3/8	THOMSON 6L2-FF TYPE7		916011	544289
POP RIVET	1/8 DIA X .250 GRIP SS		908001	
POP RIVET	3/16 DIA X .190 GRIP SS		908002	
POP RIVET	1/4 DIA X .19 GRIP ALUM		908003	
POP RIVET	1/8 DIA X .19 GRIP ALUM		908018	
RETAINING RING	FOR 5/32 DIA ROD		906005	544293
S/M SCREW	#4 X 3/4 LG TYPE B		902002	
S/M SCREW	#4 X 1 1/8 LG TYPE B		902003	544295
S/M SCREW	#4 X 5/8" TYPE B PAN HEAD PHILLIPS		902009	
SELF DRILLING SCREW	#8 X 1/2 W/1/2 OD WAS		902001	
SELF TAPPING SCREW	#10-31 X 1" PAN HEAD PHILLIPS		901027	
SEMS CAP SCREW	1/4-20 X 1" LG		901003	
SEMS SCREW	#8-32 X 1/2 LG		901002	
SEMS SCREW	# 6-32 X 3/8 LG		901004	504724
SEMS SCREW	#8-32 X 1/2 LG W/FL W		901006	544103
SEMS SCREW	#8-32 X 3/8		901011	
SEMS SCREW	#8-32 X 1/2 HEX HD SLOTTED		901012	
SCREW	THREAD CUTTING , FLAT HD PHILLIPS TYPE F		901046	
THREDSTUD	#8-32 X 1/2 LONG		906010	511705
THREDSTUD	#8-32 X 7/8 LONG		906002	
U CLAMP	FOR TOP FAN HOUSING		906007	504230
WELD NUT	#5/8-11		907002	
WELD NUT	#1/4-20		907003	
WELD NUT	SPADE TYPE .218 DIA.		907004	
WELD NUT	ROUND HD. .218 DIA		907005	
WELD NUT	ROUND HD 1/4 DIA 1" LG		907006	
WIRE TIE	5" LONG		916063	
WIRE TIE SMALL	PANDUIT SST1.5M		916007	510573
CHRISTMAS TREE CLIP	SIGNS		916009	

Part Name	Part Description	Code / Voltage	Royal Part #	Coke Part #
MACHINE SCREW	10-24 X 4 PPH GII		901019	
6-32 X 1/5 MACH SCREW	6-32 X 1 1/2 ZINC GII		901023	
10-24 X .50 MACH SCREW	GII		901024	
MACHINE SCREW G-II	2-56 X 3/16" ROUND HEAD PHILLIPS GII		901028	
6-32 X 1/2 MACH SCREW	GII		901029	
8-32 SELF LOCKING HEX NUT	11/32 NUT GII		905004	508373
1/4 SS RETAINING RINGS	FOR RELEASE LEVER GII		906013	
POP RIVET G-II	1/8 DIA X .328 GRIP SS GII		908007	
.265 POP RIVET SSD42SSBS	1/8 DIA .265 FRIP SS GII		908009	
PUSH MOUNT	CLAMP GII		916042	502378
WIRE NUT	GII		940057	
WIRE CLAMP	G II		916053	
BUTTON SPRING	FOR COKE PUSH BUTTON VRD		914004	510037
HOUSING .187	SINGLE INSULATION		940006	
MATE-N-LOK PIN	MALE TERMINAL		940007	
MATE-N-LOK SOCKET	FEMALE TERMINAL		940008	
15 WAY CAP	FEMALE /MATE-N-LOK		940011	542170
15 WAY PLUG	MALE / MATE-N-LOK		940012	
.187 ULTRA FAST	1 WIRE / FOR PC S.O. LIGHTS / PINK BOOTY		940016	
9 WAY CAP	FEMALE / MATE-N-LOK		940019	
9 WAY PLUG	MALE / MATE-N-LOK		940020	
2 WAY CAP	FEMALE / MATE-N-LOK		940021	
2 WAY PLUG	MALE / MATE-N-LOK		940022	
.187 ULTRA FAST	2-WIRE / FOR PC S.O. LIGHTS / BLUE BOOTY		940023	
TOP DOOR BUSHING	.438 ID X .556 OD X .38		803003	
GROUNDING STANDOFF	SPACER, BOTTOM RIGHT CONTROL BOARD GII		906016	501173
SPACER SUPPORT, NYLON	USED TO MOUNT GII / GII VII CONTROL BOARD		916066	

Conversion Kits

CONVERSION KIT	12OZ CAN (510/609) W/N COL. W/S/O PAD.		201120	513364
CONVERSION KIT	12 OZ CAN / 3 DEEP+		201191	
CONVERSION KIT	12 OZ CAN 3DP 540/630 EV W-0/S-O PADDLES		201192	
CONVERSION KIT	12 OZ CAN 3DP 540/630 EV W/S-O PADDLES		201193	
CONVERSION KIT	12 OZ CAN 3 DP 5120/609 EV W-O/S-O PADDLES		201197	
CONVERSION KIT	12 OZ CAN 3DP+ 540/630 EV W-0/S-O PADDLES		201194	
CONVERSION KIT	12 OZ CAN 3DP+ 510/609 EV W/S-O PADDLES		201196	
MERLIN CONVERSION KIT	COKE VERSION 5 TO VERSION 10.00		141106	

Manuals

MANUAL	ELECTRO-MECH		010127	
MANUAL	MERLIN 2000		833003	
MANUAL	G II REGULAR		833001	
MANUAL	3 BUTTON MERLIN III		833007	
MANUAL	4 BUTTON MERLIN III		833006	
MANUAL	GIII-MERLIN III /MINI MANUAL(OLD STYLE OR EVS)		833008	
MANUAL	GII VII / 4 BUTTON		833009	
MANUAL	GIII		833010	513858
MANUAL	GIII EVS		833025	
MANUAL	MERLIN 4		833018	
MANUAL	MERLIN 4 MINI MANUAL		833020	
MANUAL	GII EVS MANUALS SPANISH		833026	
MANUAL	GII EVS MANUALS FRENCH	CN / FR / BE	833027	
MANUAL	GII EVS MANUALS DUTCH	NE / BE	833028	

Part Name	Part Description	Code / Voltage	Royal Part #	Coke Part #
Paint				
PAINT-RED	PER CAN		830004	
PAINT-WHITE	PER CAN		830005	
PAINT-BLACK	PER CAN		830006	

Locks & Keys

COKE LOCK-2 KEYS	KEYED RVC 201		812029	
COKE LOCK-2 KEYS	KEYED RVC 202		812030	
COKE LOCK-2 KEYS	KEYED RVC 203		812031	
COKE LOCK-2 KEYS	KEYED RVC204		812217	511752
COKE LOCK-2 KEYS	KEYED RVC 205		812218	513675
COKE LOCK-2 KEYS	KEYED RVC 206		812219	513676
LOCK W/O KEYS COKE	#RVC 201		812122	503640
LOCK W/O KEYS COKE	#RVC 202		812123	503641
LOCK W/O KEYS COKE	#RVC 203		812124	503642
LOCK	#RVC 204		812246	
LOCK	#RVC 205		812247	514697
LOCK	#RVC 206		812248	
I KEY COKE	RVC 201		912112	
I KEY COKE	RVC 202		912113	542179
I KEY COKE	RVC 203		912114	500066
I KEY COKE	RVC 204		812241	513211
I KEY COKE	RVC 205		812242	
I KEY COKE	RVC 206		812243	
1 KEY	CHICAGO LOCK # XX-4331		912270	

Control Boards / Chips

CONTROL BOARD	1.16A		836031	511525
CONTROL BOARD	2.16A		836032	
CONTROL BOARD	5.11		836052	500197
CONTROL BOARD	6.11 (INTERNATIONAL)		836050	
CONTROL BOARD	10.07 COKE		836066	501885
CONTROL BOARD	GII VII WARRANTY REPLACEMENT ONLY		W836079	
CONTROL BOARD	GII VII EVS		836109	
CONTROL BOARD	GII VII EVS WARRANTY REPLACEMENT ONLY		W836109	
CONTROL BOARD	GIII EVS INTERNATIONAL	AS / NZ / SF	836116	
CONTROL BOARD	P.C. BOARD ASSY MERLIN IV		836101	514348
CONTROL BOARD	M4 WARRANTY REPLACEMENT (COINCO)		W836101	
CONTROL BOARD	MERLIN 4 (VERSATILE)		836094	513944
CONTROL BOARD	COINCO 408084-1.2 (KO CONTROLLER)		836126	
CONTROL BOARD CHIP	5.11		836048	505760
CONTROL BOARD CHIP	6.11 (INTERNATIONAL)		836049	
CONTROL BOARD CHIP	PIC, EPROM .BIN G2V2		836097	
CONTROL BOARD CHIP	10.07		836067	509182
CONTROL BOARD CHIP	GII VII		836082	513904
CONTROL BOARD CHIP	GII VII EVS		836117	
CONTROL BOARD CHIP	GII E PROM 9		836061	500197

Part Name	Part Description	Code / Voltage	Royal Part #	Coke Part #
-----------	------------------	----------------	--------------	-------------

Lamps & Accessories

LAMP 48" HO	MUST BUY A CASE (24) PRICED PER BULB		841004	
LAMP 64" HO COKE 72"	MUST BUY A CASE (15) PRICED PER BULB		841002	
LAMP 72" HO COKE 79"	MUST BUY A CASE (15) PRICED PER BULB		841001	
LAMP BRACKET COVER	ALL VENDORS EXCEPT HORZ DISPLAY		815189	
LAMP SOCKET ASSY.	COKE TOP		010567	544252
LAMP SOCKET ASSY.	COKE BOTTOM		010568	544251
LAMPHOLDER HO	#523 TOP COKE SPRING		842001	543319
LAMPHOLDER HO	#523 BOTTOM COKE		842002	505762
CORRECT CHANGE LAMP	ELECTRO-MECH		841010	
BALLAST PANEL	CCR		290531	

Labels & Decals

INSTRUCTION DECAL	MERLIN III VERSION 10.00 (4 BUTTON)		931204	
VALIDATOR LABEL	DUTCH	NE / BE	831176	
VALIDATOR LABEL	REG / CIGAT	IT	831123	
VALIDATOR LABEL	HEBREW / ISRAEL	ISR	931165	
VALIDATOR LABEL	FRENCH	CN / FR / BE	931095	
DECAL	12 COL. ASSIGNMENT		931416	
DECAL	VENDOR CONTROLLER GIII/GIII+		931352	
LABEL, BOTTLE	DOOR PORT GIII		931355	
LOADING DECAL	GIII (ENGLISH ONLY)		931303	
LOADING DECAL	GIII AUSTRALIA	AS / NZ	931305	
LOADING DECAL	GIII SPANISH	SP	931293	
SELECTION DECAL	MERLIN-SOLD OUT-CORRECT CHANGE		931055	
SELECTION BUTTON DECAL	BLACK DECAL AROUND SELECT BUTTON		845383	
DECAL SELECT BUTTON COVER	GII		815082	
COIN MECH LABEL	REGULAR		931030	
COIN MECH LABEL	MERLIN		931088	503492
MADE IN THE USA LABEL	FOR BACK OF CABINET		931027	
CHANGE LABEL	CENTER DOOR CHANGER		931341	
FUSE BOX LABEL	3 AMP		931113	502387
SECURITY PLATE DECAL	CC ELECTRONIC C.D.C.		845467	504274
SECURITY PLATE DECAL	CC ELECTRONIC VANDAL RESISTANT		845396	
SECURITY PLATE DECAL	CC REG VANDAL RESISTANT		845397	508041
SECURITY PLATE DECAL	FRENCH CANADIAN		845880	
SECURITY PLATE DECAL	DR PEPPER		845765	508883
SECURITY PLATE DECAL	CDC REGULAR		845468	514282
SECURITY PLATE DECAL	COKE HOLLAND	NE / BE	845606	
SECURITY PLATE DECAL	MERLIN CC CDC HOLLAND	NE / BE	845996	
SECURITY PLATE DECAL	VRD REG SPANISH	SP	845448	
SECURITY PLATE DECAL	VRD ELECTRONIC SPAIN	SP	845447	
SECURITY PLATE DECAL	CC / VRD / FRENCH / ELECTRONIC VENDOR	CN / FR / BE	845937	
PRICE DECAL SHEET	25¢ TO 75¢ COKE		931248	
PRICE DECAL SHEET	75¢ TO \$1.25 COKE		931249	
PRICE DECAL SHEET	MERLIN .25 / .30 / .35 ELECTRONIC		831070	
PRICE DECAL SHEET	.40 - 1.00 WHITE/ELECTRONIC		931044	
PRICE DECAL SHEET	.40 - 1.50 YELLOW/ELECTRONIC		831056	511584
PRICE DECAL SHEET	CANADIAN 75¢-\$1.75		931266	
PRICE DECAL SHEET	CANADIAN \$1.80 -\$2.50		931267	
PRICE DECAL SHEET	.25 - \$1.25 BLACK W WHITE LETTERING (CCR)		831391	
PRICE DECAL SHEET	\$0.75		931365	
PRICE DECAL SHEET	\$1.00		931366	

Part Name	Part Description	Code / Voltage	Royal Part #	Coke Part #
PRICE DECAL SHEET	\$1.25		931367	
PACKAGING DECAL SHEET	CANADIAN	CN	931263	
PACKAGING DECAL SHEET	COKE		931250	
TIP DECAL	FRENCH	CN / FR / BE	931330	
GROUND DECAL	ALL INTERNATIONAL I.E.C. VENDORS		931101	
LABEL INTERCONNECT	220 / 240 V GIII / GIII+		931325	
WIRING DIAGRAMS	GII/GIII / WIRING DIAGRAM		931356	

Stack Accessories

NARROW SPACER	10 OZ 3 DEEP		201708	
SPACER	GIII .072 LENGTH		915239	513859
SOLD OUT BAR	8 SELECT		010733	
SOLD OUT PADDLE	NARROW		010731	
SOLD OUT PADDLE	WIDE		010729	504453
SOLD OUT COVER	WIDE		010033	
ROTOR RETAINER	NARROW MOTORS		815012	508795
REAR SOLD OUT SPRING	G II		914012	501174
FRONT SOLD OUT SPRING	G II		914011	501245
SOLD OUT SENSOR LEVER REAR	G II		915126	501176
SOLD OUT SENSOR LEVER FRONT	G II		915127	501177
SUPPORT RACK GII/GII+	PER AL GIII & GIII+		281001	
CAM	3-DEEP OSCILLATOR		815048	500395
CAM	3-DEEP ROTOR		815049	500396
CAM	2 DEEP		815027	544297
SWITCH INSULATOR SPACER	FOR SOLD OUT SWITCHES		815016	

Electronic Accessories

CIRCUIT BOARD TEST BOX	TO TEST CONTROL BOARDS		011129	
CIRCUIT BOARD COVER	MERLIN III / METAL VRD		141903	510547
CIRCUIT BOARD RECEPT.	MERLIN TRANSFORM / 640251-2 / 2 WAY		940026	
CIRCUIT BOARD RECEPT.	OPTIONS / 640251-6 / 6-WAY		940028	
CIRCUIT BOARD RECEPT.	SELECT PANEL / 1-640251-2 / 12-WAY		940030	
CIRCUIT BOARD RECEPT.	COIN MECH / 1-640251-3 / 13-WAY (OLD)		940031	
CIRCUIT BOARD RECEPT.	MOTORS / 1-640251-5 / 15-WAY		940032	
CIRCUIT BOARD RECEPT.	COUNTER-ALARM / 640251-3 / 3-WAY		940036	508598
CIRCUIT BOARD TERMINAL	MERLIN / 640252-1		940034	
COIN INLET SENSOR	GIII	AS / NZ	836100	
.250 FASTON RECEPTACLE	1 WIRE		940075	
.250 FASTON RECEPTACLE	2 WIRE		940054	
.250 TERMINAL	2-WIRE BOOT		940038	
.250 ULTRA FAST	1-WIRE BOOT		940039	
.250 HOUSING			940049	
FUSE BOX ASSY	MERLIN 3 AMP GII GIII		842219	
FUSE	FOR FUSE BOX		842059	506896
FUSE	FOR TRANSFORMER		842135	
FUSE	MERLIN--OLD BOARD		942021	
FUSE BOX ASSY	MERLIN 4 AMP		012166	
FUSE BOX ASSY WITH LEAD	MERLIN 3 AMP GII / GIII		095114	
TRANSFORMER ASSY	MERLIN CDC		161903	507514
TRANSFORMER ASSY 75VA	MERLIN BASLER BE122775GEB		010572	513220
TRANSFORMER ASSY KIT	GII (RUN 1204-0645 AND BEFORE)		095113	541297
BALLAST FILTER KIT	GII / GIII		095180	
LAMP RELAY KIT	MERLIN III		141160	510432

Part Name	Part Description	Code / Voltage	Royal Part #	Coke Part #
HEATER PAD KIT	NEW STYLE		290133	
SEQUENCE RELAY	COKE / REGULAR VENDOR		836002	541620
VEND RELAY	ELECTRO-MECH		836001	541304
24V TRANSFORMER COVER	ALL VENDORS		010063	508361
KEY SWITCH LOCK KIT	NO VEND		012156	505503
FREE VEND SWITCH KIT	FREE VEND		012154	
NO VEND SWITCH KIT ASSY	ALL GII VII / GIII VENDORS		147107	508011
FREE VEND SWITCH KIT ASSY	ALL GII VII / GIII VENDORS		147108	
CHUTE SENSOR ADAPTER KIT	GII		095140	
KEY SWITCH LOCK	MERLIN II & GII		011126	502777
VEND COUNTER ASSEMBLY	MERLIN 1.16A AND UNDER		010193	545499
COUNTER ASSEMBLY	INTERNATIONAL	CI / AG	095111	

Trim

SIGN TRIM	ANGLED 15"		815243	
SIGN TRIM	ANGLED 18"		815244	
SIGN TRIM	ANGLED 26"		815245	
SIGN TRIM	ANGLED 70"		815246	
SIGN TRIM	ANGLED 77"		815247	
TRIM--COKE/TUFF GUY	79.5"		171520	
TRIM--COKE/TUFF GUY	72"		172510	514170

Door Accessories

WATER SHIELD	COIN INSERT		012530	544242
P.O.S. WINDOW ASSY	FOR VALIDATOR PLATE		141150	510348
LAMP GUARD	WIDE /CENTER OF DOOR		012514	507738
LAMP GUARD	NARROW (PANEL) CDC		040501	
SPRING PLATE			010511	541460
FLAVOR CARD RETAINER	COKE /V.R.D. , C.D.C. & T.G.		141537	
LEVER ACTIVATOR	GII / RELEASE LEVER		809019	510552
SCAVENGER LEVER	GII / COIN RETURN LEVER		810001	541429
SECURITY PLATE/CAN STOP W/A	FOR VENDORS VENDING 12 OZ CANS		011591	513106
HOUSING FOR BOARD	GII		095530	502600
CONTROL BOARD COVER	GII		815260	
COIN INSERT COVER	VENDORS W CAST IRON COIN INSERT		012119	
CHANGER PLUG BRACKET	MERLIN		010561	
HARNESS ASSY SERIAL CHANGER	SERIAL CHANGER HARNESS / FROM BOARD		842079	541299
CHANGER DOOR ASSY.	COKE		011580	545012
CHANGER DOOR	ALL VENDORS (EXCEPT CDC/DP V4)		010544	543302
CHANGER DOOR LATCH ASSY.	ALL		011152	504713
CHANGER DOOR HINGE ASSY	BOTTOM		010560	
CHANGER DOOR HINGE ASSY	TOP		010570	
GLENVIEW DOUBLE BAG SYSTEM	LARGE BAG W/CHUTE		812162	
GLENVIEW DOUBLE BAG SYSTEM	CDC		812220	
GLENVIEW DOUBLE BAG SYSTEM	WIDE MOUTH W/LARGE BAGS CDC		812268	
GLENVIEW DOUBLE BAG SYSTEM	WIDE MOUTH W/LARGE BAGS NON-CDC		812269	
GLENVIEW BAG GUARD			012125	
HONOR GUARD CHUTE ASSEMBLY	ALL NARROW EXCEPT 57"		010130	
IEC SWITCH REPAIR KIT	KIT	ALL INT'L. IEC	141132	
SWITCH BRACKET 9 SEL COKE	COKE 9 SELECT		015502	541438
SWITCH BRACKET 7 SEL COKE	COKE 7 SELECT		010547	541443
SWITCH BRACKET 6 SEL COKE	COKE 6 SELECT		027502	503353
SWITCH BRACKET 5 SEL COKE	COKE 5 SELECT		039502	