



SERVICE BULLETIN # 00233

201 INDUSTRIAL BOULEVARD • KEARNEYSVILLE, WV 25430

Phone: (304) 728-7056 • Fax: (304) 725-6579 • Toll Free: (800) 931-9214

PAGE: 1 of 3

DATE: 5-31-02

REVISION: 01

SUBJECT: Retrofit Venders with T8 Lighting

MODELS: GIII (110 VAC systems only)

of People
Required



Kit Number	Kit Description
303599	79" T8 Lighting Kit, Landscape Wide
304599	72" T8 Lighting Kit, Landscape Wide
305599	72" T8 Lighting Kit, Landscape Narrow
292599	79" T8 Lighting Kit, Marketing Wide
291599	72" T8 Lighting Kit, Marketing Wide
293599	72" T8 Lighting Kit, Marketing Narrow



Areas of the vender marked with this warning label contain voltage, which can cause serious injury or even death. Remove power from vender before working in these areas.

TOOLS REQUIRED: Phillips Head Screw Driver, 11/32 socket wrench

ESTIMATED INSTALLATION TIME: 20 minutes

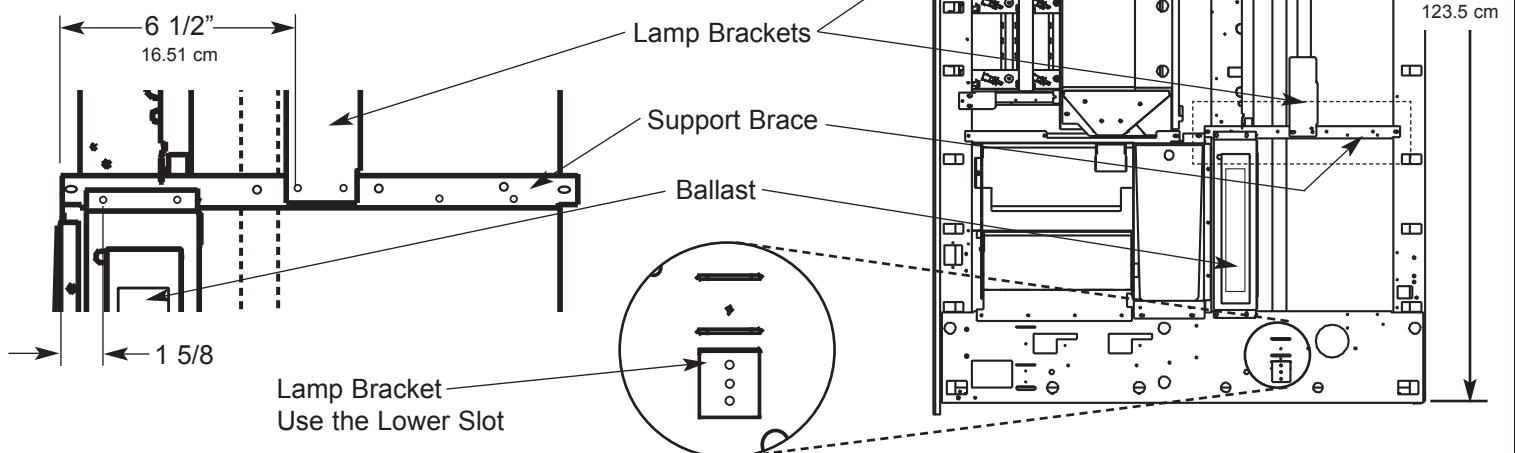
INSTALLATION INSTRUCTIONS:

79" MARKETING

1. Remove power from the vender by unplugging the vender's main power cord from the power source.
2. Remove original bulbs
3. Remove original ballast, ballast housing and support brace
4. Install new support brace and ballast housing
5. Install new ballast
6. Attach lower lamp bracket to support brace, 6 1/2" (16.51 cm) from left of brace.
7. Install main cross bracket. Measure from the bottom of the door 48 5/8 inches (123.5 cm) to the bottom eyehole of cross bracket and fasten with the four screws from kit.
8. Insert lamp bracket into main cross bracket
9. Insert bottom lamp bracket in the bottom slot.
10. Install top lamp bracket
11. Replace existing lamp brackets on the left side of the door.
12. Connect ballast
13. Insert new T8 bulbs.

Marketing Venders

Figure A



**ANY QUESTIONS??? CONTACT ROYAL VENDORS' CUSTOMER SERVICE DEPARTMENT
CALL TOLL FREE (800) 931-9214**



SERVICE BULLETIN # 00233

201 INDUSTRIAL BOULEVARD • KEARNEYSVILLE, WV 25430

Phone: (304) 728-7056 • Fax: (304) 725-6579 • Toll Free: (800) 931-9214

PAGE: 2 of 3

DATE: 5-31-02

REVISION: 01

SUBJECT: Retrofit Venders with T8 Lighting

MODELS: GIII (110 VAC systems only)

79" LANDSCAPE VENDER

1. **Remove power from the vender by unplugging the vender's main power cord from the power source.**
2. Remove original bulbs
3. Remove original ballast
4. Remove original lamp brackets
5. Install main cross bracket. Measure from the bottom of the door 48 7/8 inches (124.14 cm) to the bottom eyehole of cross bracket and fasten with the four screws from kit. See Figure B
6. Install bottom lamp brackets into the slot closest to the bottom of the door. See figure B
7. Install top lamp brackets
8. Remove changer from vender
9. Install the retro fit plate by using the three existing holes in the changer vault. Then fasten the center bulb bottom bracket to the retro fit plate with the four nuts.
10. Detach transformer from the top bulkhead.
11. Install center bulb top bracket
12. Attach transformer to the top bracket with two bolts and nuts. See figure B
13. Drill a hole 5 3/4 inches (175.26 cm) above the second slot on the changer vault, then mount ballast. See figure B
14. Connect ballast to previous lead.
15. Install new T8 Bulbs
16. Wire tie excess harnesses away from bulbs

**ANY QUESTIONS??? CONTACT ROYAL VENDORS' CUSTOMER SERVICE DEPARTMENT
CALL TOLL FREE (800) 931-9214**



SERVICE BULLETIN # 00233

201 INDUSTRIAL BOULEVARD • KEARNEYSVILLE, WV 25430
Phone: (304) 728-7056 • Fax: (304) 725-6579 • Toll Free: (800) 931-9214

PAGE: 3 of 3

DATE: 5-31-02

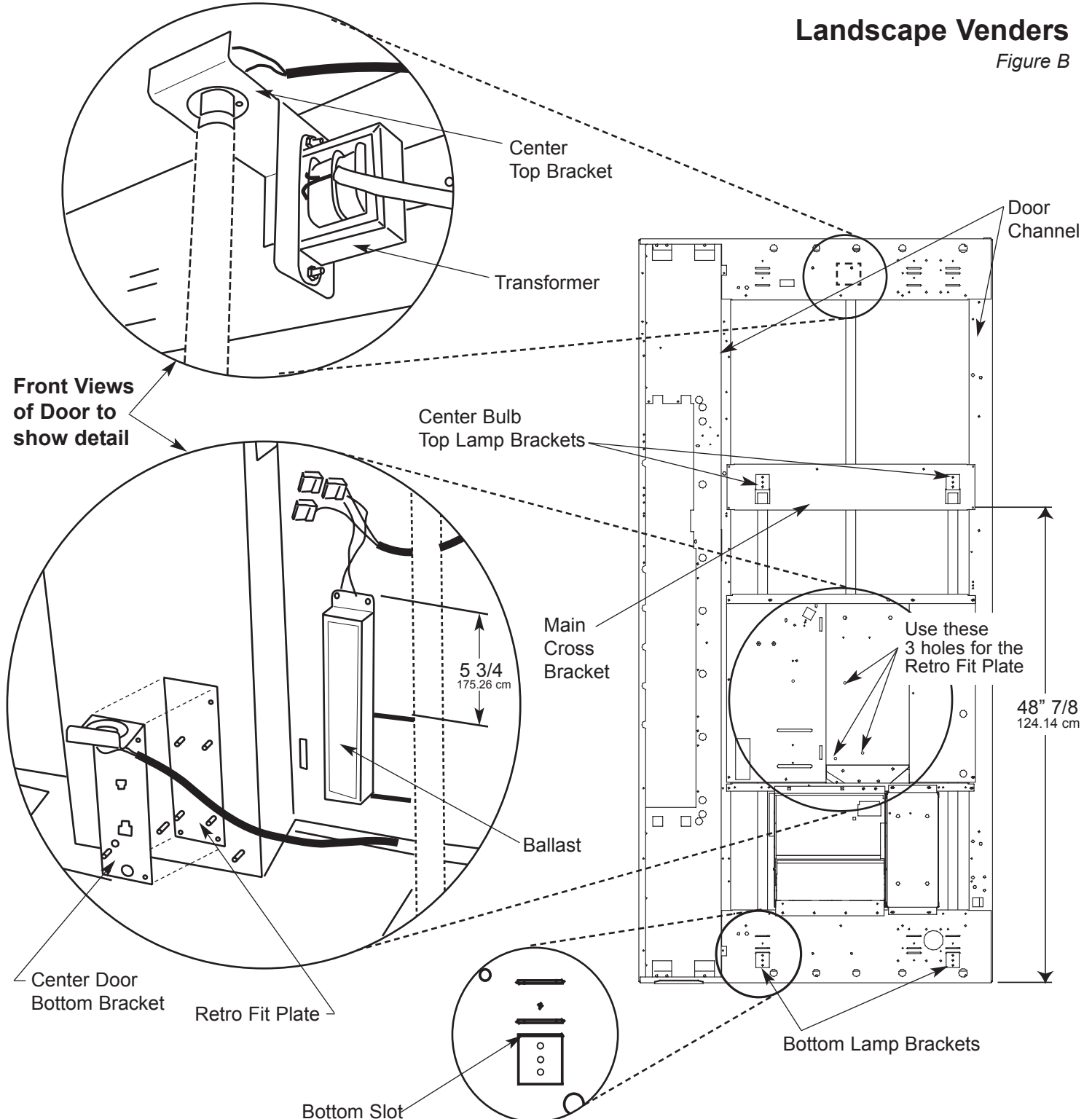
REVISION: 01

SUBJECT: Retrofit Venders with T8 Lighting

MODELS: GIII (110 VAC systems only)

Landscape Venders

Figure B



**ANY QUESTIONS??? CONTACT ROYAL VENDORS' CUSTOMER SERVICE DEPARTMENT
CALL TOLL FREE (800) 931-9214**