



READING A PARTS LIST

- I **ITEM NUMBER** is found in two locations:
- A. It is on the drawing plate, and identifies the part and its location;
 - B. The same number is in the parts lists and ties the two together.
- II **PART NUMBER** is the part number that has been assigned to a specific part by Vendo, for easier identification.
- III **QUANTITY REQUIRED** relates to the amount required of a part, or will be indicated by "A/R" as required to attach it to another part.
- IV **PART NAME AND DESCRIPTION** is the general description for the part, for easier identification when ordering a like part.
-

The example below will show how the parts are listed in the parts lists:

1. **VEND MOTOR ASSEMBLY:** This is the main assembly named, and any replaceable parts will be indented below the assembly.
2. **RETAINER CAM:** This is an individual part, and will be indented. These indented parts can be ordered separately, so you do not need to order the entire assembly.
3. Whenever an assembly is ordered, all the parts that are indented will be included in the assembly. Any hardware will be listed next to their corresponding parts.
4. Any parts that may be ordered separately will not have any indented parts listed below them.

"UNIVENDOR-2" VEND MOTOR ASSEMBLY

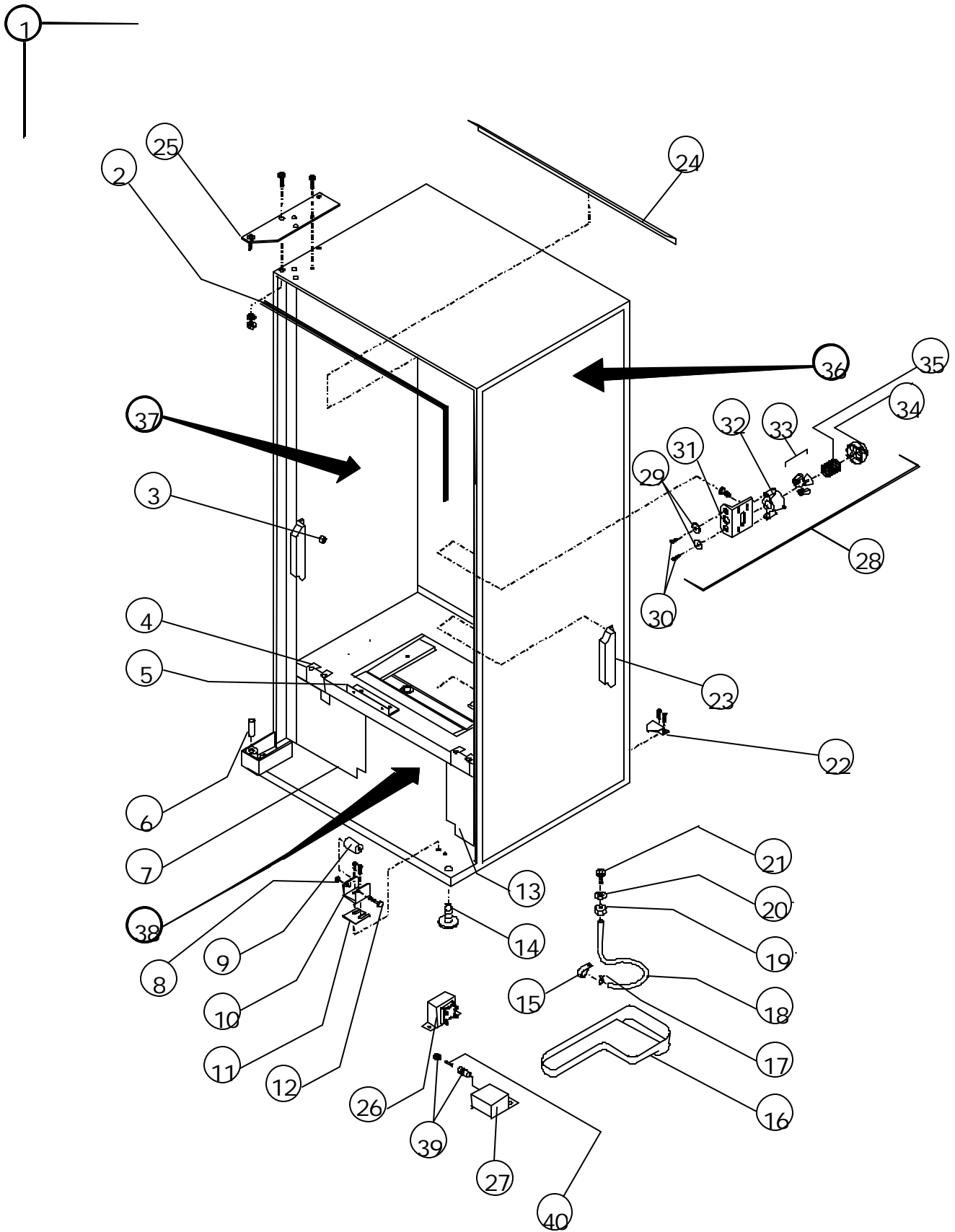
ITEM NO.	PART NO.	QTY REQ'D	DESCRIPTION
1	133787-1	-	VEND MOTOR ASSEMBLY
2	389401	1	RETAINER CAM
3	390360	1	TIMING CAM
4	388687	1	CARRIER SWITCH
5	388303	1	BASE SWITCH (SPACER)
6	340025-3	1	INSULATOR
7	388637	1	VEND MOTOR
8	V384341	2	PH TAP SCREW 4- 4 x 1 1/8
9	V801422	3	HH TAP SCREW 10- 16 x 1/2



If an asterisk is listed below the parts list, it is an indication that special information is noted. There may be more than one (*) (**) (***) asterisk denoting special notes.

"UNIVENDOR-2" KIT LIST

DESCRIPTION	KIT NUMBER
INNER - OUTER DOOR LOCK	1087511
T-HANDLE LOCK COVER KIT - TRADE	1047795
T-HANDLE LOCK COVER KIT - COCA COLA	1047779
T-HANDLE LOCK COVER KIT - DR PEPPER	1051503-1
T-HANDLE LOCK COVER KIT - PC 95'	1051503-4
CROWN BOX KIT - COKE	133555-1
VENDOR SUPPORT KIT - BLACK BRACKETS	133666
BILL VALIDATOR ADAPTER KIT	133585
INNER DOOR GASKET - 72"	389622-3
INNER DOOR GASKET - 79"	389622-4
CASTER KIT	133513
CASTER W/ BRAKE KIT	133513-1
COIN BOX LOCK	1087759



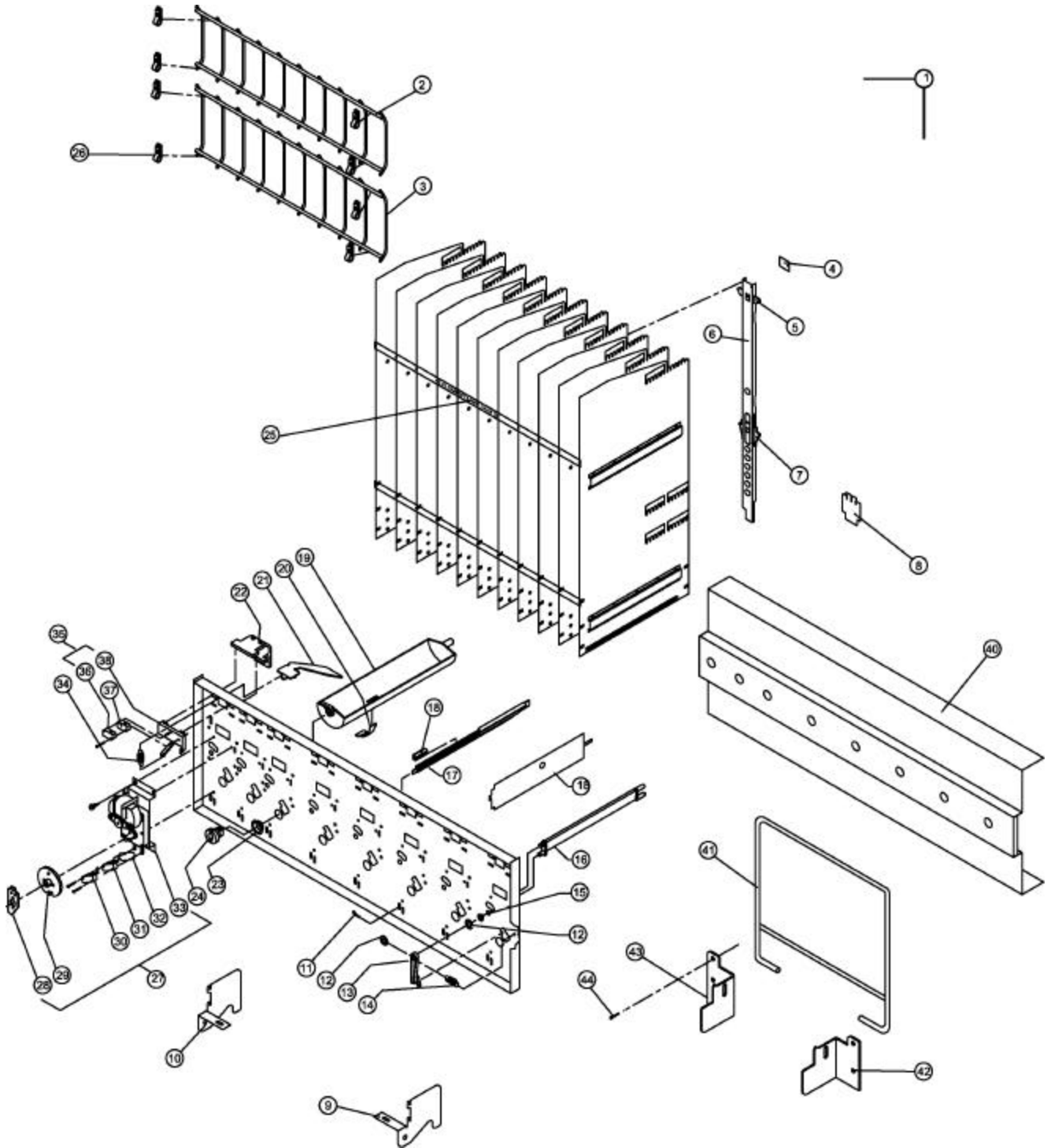


“UNIVENDOR - 2” CABINET ASSEMBLY

ITEM NO.	DESCRIPTION	REQ.	PART NO.
1*	CABINET ASSEMBLY	1	~
2	RAIN GASKET	1	389463
3	SHOULDER SCREW	2	1004328
4	CLOSURE CAP	2	1123373
5	BRACKET - CHUTE	1	388387
6	HINGE PIN	1	389071
7	AIR DAM LEFT	1	1035851-1
8	1/4-20 HEX LOCK NUT	1	V802054
9	ROLLER	1	368656
10	ROLLER BRACKET - DOOR LIFT	1	388096
11	SHIM BRACKET	A/R	388097
12	1/4 - 20 x 2 1/4 HEX CAP SCREW	1	V802053
13	AIR DAM RIGHT	1	388917
14	LEVELING LEG	4	1059902
15	STRAP ADJUSTABLE - TUBING	1	342621
16	CONDENSATE PAN	1	1112023
17	CLIP - TUBING TO PAN	1	1078449
18	DRAIN TUBING	1	1111597
19	NUT - DRAIN TUBE	1	387925
20	WASHER	1	387837
21	DRAIN TUBE	1	1068678
22	BRACKET - REFRIGERATION	2	388387
23	EXTENSION INNER DOOR	2	1075309
24	AIR BAFFLE	1	1068023
25	TOP HINGE ASSEMBLY	1	2000805-03
26	TRANSFORMER (SEE PAGE B-8 OR C-10)	1	~
27	TRANSFORMER COVER (SEE PAGE B-8 OR C-10)	1	~
28	QUICKER - LOCK ASSEMBLY	1	1068627
29	RETAINER WASHER	2	389026
30	8-18 1/2 SCREW	2	V802044
31	LATCH BRACKET	1	2001511
32	RETAINER	1	389022
33	NUT SEGMENT	3	1033085
34	CAP	1	1111988
35	SPRING	1	389690
**36	SIDE DECAL	2	~
37	DELIVERY CHUTE - NOT SHOWN	1	1068066
38	REFRIGERATION ASSEMBLY (SEE PAGE A7 - A8)	1	~
39	FUSE HOUSING (SEE PAGE B-8 OR C-10)	1	~
40	FUSE - 5 AMP (SEE PAGE B-8 OR C-10)	1	~

*NOTE: WHEN ORDERING CABINET ASSEMBLY, PLEASE PROVIDE **9-CODE** AND **MANUFACTURER'S DATE CODE**.

NOTE: WHEN ORDERING DECALS, PLEASE PROVIDE **STYLE.





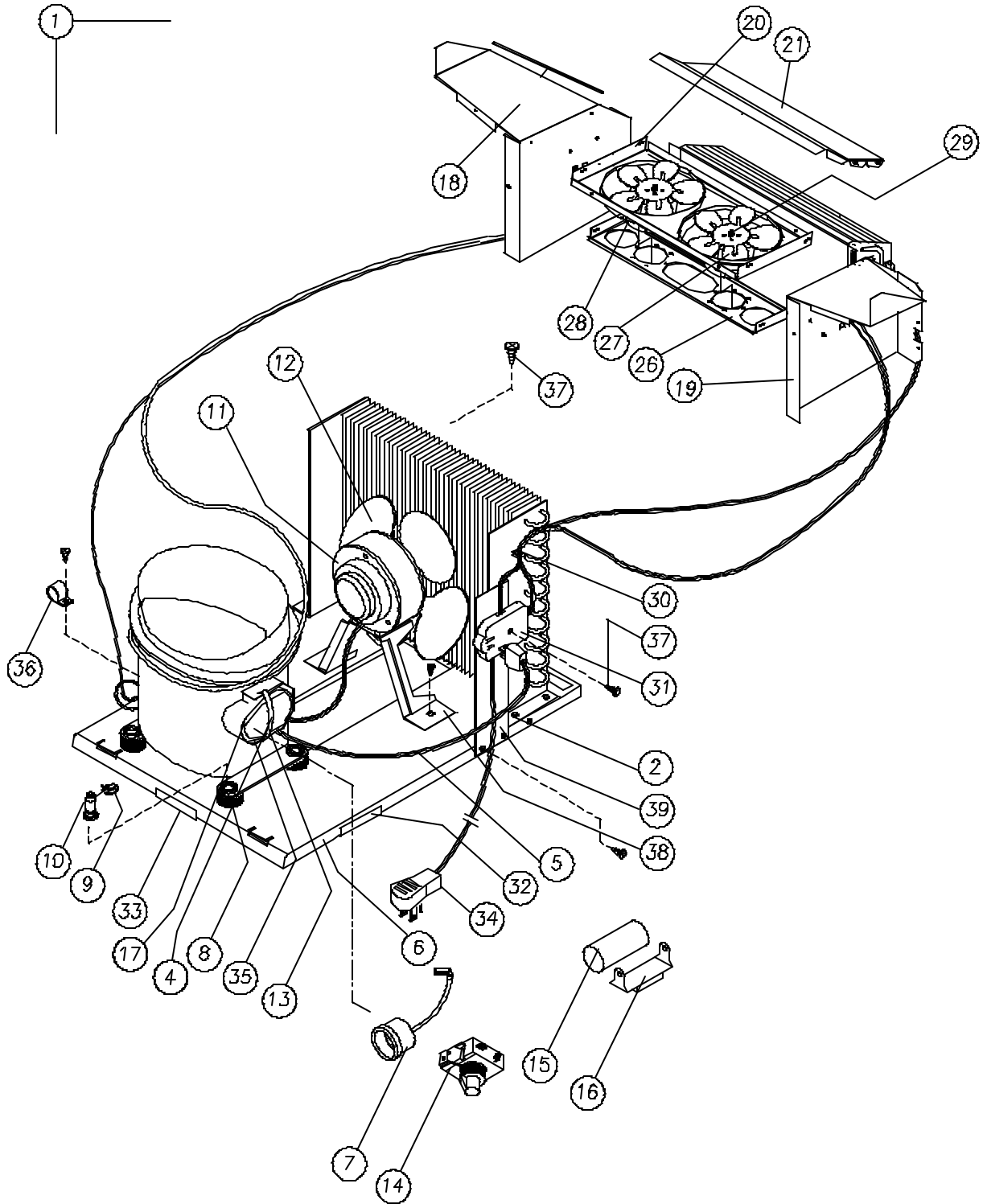
“UNIVENDOR - 2” STACK ASSEMBLY

ITEM NO.	DESCRIPTION	MODEL NUMBER	511	601
		REQ.	PART NO.	PART NO.
1*	VEND MECH COMPLETE	1	~	~
2	UPPER PRODUCT CAGE ASSEMBLY	1	1080147	1080147-1
3	LOWER PRODUCT CAGE ASSEMBLY	1	2010142	1069163
4	KEEPER	10	389992	389992
5	HANGER - TOP	10	1120489	1120489
6	BACK SPACER	10	1110929	1060341-1
7	HANGER - BOTTOM	10	1120490	1120490
8	BAFFLE	10	1074015	1074015
9	PIVOT BRACKET - RIGHT	1	390363	390363
10	PIVOT BRACKET - LEFT	1	390363-1	390363-1
11	COTTER CLIP - GAGE BAR	10	387450	387450
12	E-CLIP - GATE	20	V801080	V801080
13	GATE LINK	10	1120140	1120140
14	SPRING	10	387849	387849
15	BUSHING - GATE (FRONT & REAR)	20	385603-5	385603-5
16	GATE	10	1066082	1066082
17	GAGE BAR	10	1110678	1110678
18	CLIP - SEE PRODUCT SET-UP GUIDE (TALL)**	AR	1066112	1066112
~	CLIP - SEE PRODUCT SET-UP GUIDE (SHORT)**	AR	1066104	1066104
~	PRODUCT SHIM - FLAT	AR	1074465	1074465
19	VEND BUCKET	10	1080236	1080236
20	ANTI THEFT CLIP	AR	389712	389712
21	SOLD OUT LEVER	10	388630	388630
~	SOLD OUT LEVER - SHORT	10	1083449	1083449
22	SPACER - SOLD OUT LEVER	10	1077457	1077457
23	BUSHING - VEND BUCKET (FRONT & REAR)	20	1008706	1008706
24	ADAPTER COUPLING	10	1076465	1076465
25	LABEL - “CLOSE RETAINER CAGE”	1	1067546	1067546
26	GLIDE CAGE SUPPORT	8	8910-0252	8910-0252
27	VEND MOTOR ASSEMBLY	10	134837-1	134837-1
28	RETAINER - CAM	1	1113244	1113244
29	TIMING CAM	1	1113236	1113236
30	CARRIER SWITCH	1	388687	388687
31	BASE SWITCH (SPACER)	1	388303	388303
32	INSULATOR	1	340025-3	340025-3
33	VEND MOTOR	1	388637	388637
34	SPRING	10	390326	390326
35	SOLDOUT LEVER ASSEMBLY	10	1069171	1069171
36	SWITCH - SOLD OUT	1	368299	368299
37	BASE SWITCH (SPACER)	1	388303	388303
38	SWITCH MOUNT - SOLDOUT	1	1005901	1005901
39	MECH HARNESS - 10 COL - (NOT SHOWN)	1	1012282	1012282
40	MECH COVER	1	1080171	1080171
41	LOADING RACK	1	134717	134717
42	BRACKET - LEFT HAND	1	1068619-1	1068619-1
43	BRACKET - RIGHT HAND	1	1068619	1068619
44	TAP SCREW 10-16 x 1/2 HEX HD CR	AR	V801422	V801422

* NOTE: PLEASE PROVIDE MODEL AND SERIAL NUMBERS WHEN ORDERING COMPLETE ASSEMBLIES

** NOTE: DEPENDING ON PRODUCT SETUP

6.02





“UNIVENDOR - 2” REFRIGERATION ASSEMBLY

ITEM NO.	DESCRIPTION	REQ.	PART NO.
1	REFRIGERATION ASSEMBLY D88 TC S 1/3 R134a CAP START	1	1120341
2	TINNERMAN - CONDENSER MOUNT	2	916923
3	STRAP	1	344306
4	BRACKET - CONDENSER FAN	1	389797
5	COMPRESSOR CORD	1	1118686
6	BASE - REFRIGERATION	1	1006703
7	OVERLOAD PROTECTOR	1	45052-49
8	GROMMET - COMPRESSOR MOUNT	4	323090-1
9	CLIP - COMPRESSOR MOUNT	2	343874
10	STUD COMPRESSOR MOUNT	2	390102
11	FAN MOTOR - CONDENSER 110v	1	42321-36
12	FAN BLADE - CONDENSER	1	320766
13	COVER - OVERLOAD	1	344308
14	START RELAY 115v 60 Hz	1	333894-26
15	CAPACITOR	1	1031872
16	BRACKET - CAPACITOR	1	389617
17	SPRING - OVERLOAD	1	344305
18	RIGHT EXTENSION - EVAPORATOR	1	1067473
19	LEFT EXTENSION - EVAPORATOR	1	1067473-1
20	ORIFICE PLATE - EVAPORATOR FAN	1	360820
21	TOP COVER - EVAPORATOR	1	1067481
22	CLIP - TEMP CONTROL PROBE - NOT SHOWN	1	1030612
23	BUSHING - TEMP CONTROL PROBE - NOT SHOWN	1	389747
24	BUSHING - EVAPORATOR FAN WIRE - NOT SHOWN	1	327699-2
25	TEMPERATURE CONTROL - 115v - NOT SHOWN	1	368794
26	BRACKET - EVAPORATOR FAN MOTOR	1	1114589
27	FAN BLADE	2	1001272
28	EVAPORATOR FAN MOTOR 115v	2	42321-17
29	RETAINER CLIP - FAN BLADE	3	V42323
30	CLAMP - WIRE ROUTING	1	384692-3
31	BRASS NUT - CORD EYELET	2	V800892
32	EDGE TRIM - BASE (SHORT)	3	388304-1
33	EDGE TRIM - BASE (LONG)	1	388304
34	SERVICE PLUG ASSEMBLY	1	1087384
35	BALESTRAP - COVER	1	344306
36	CLAMP - DRIER	1	384692-3
37	SCREW - 10 - 32 1/2 FLAT HEAD	1	V802074
38	BRACKET - SERVICE CORD	1	390366
39	SCREW - 1/4 - 20 x 1 CR TAP	1	V801343