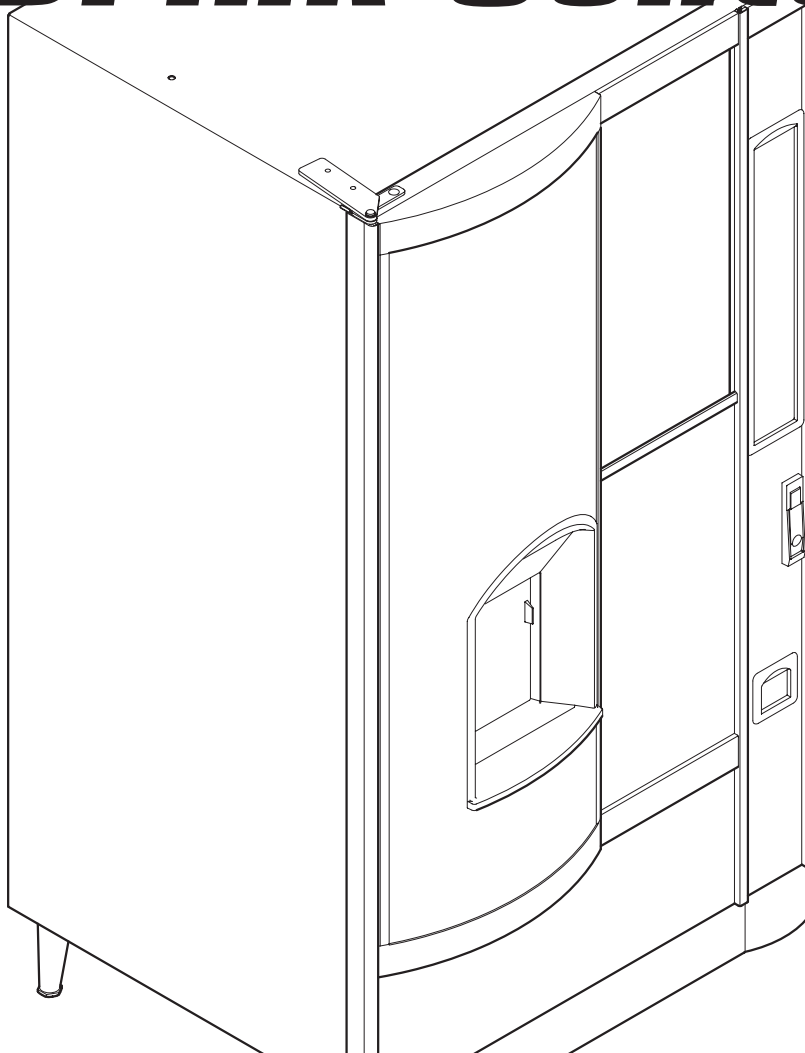


6730012

Model 673, 675, 677



Hot Drink Center II



PARTS MANUAL

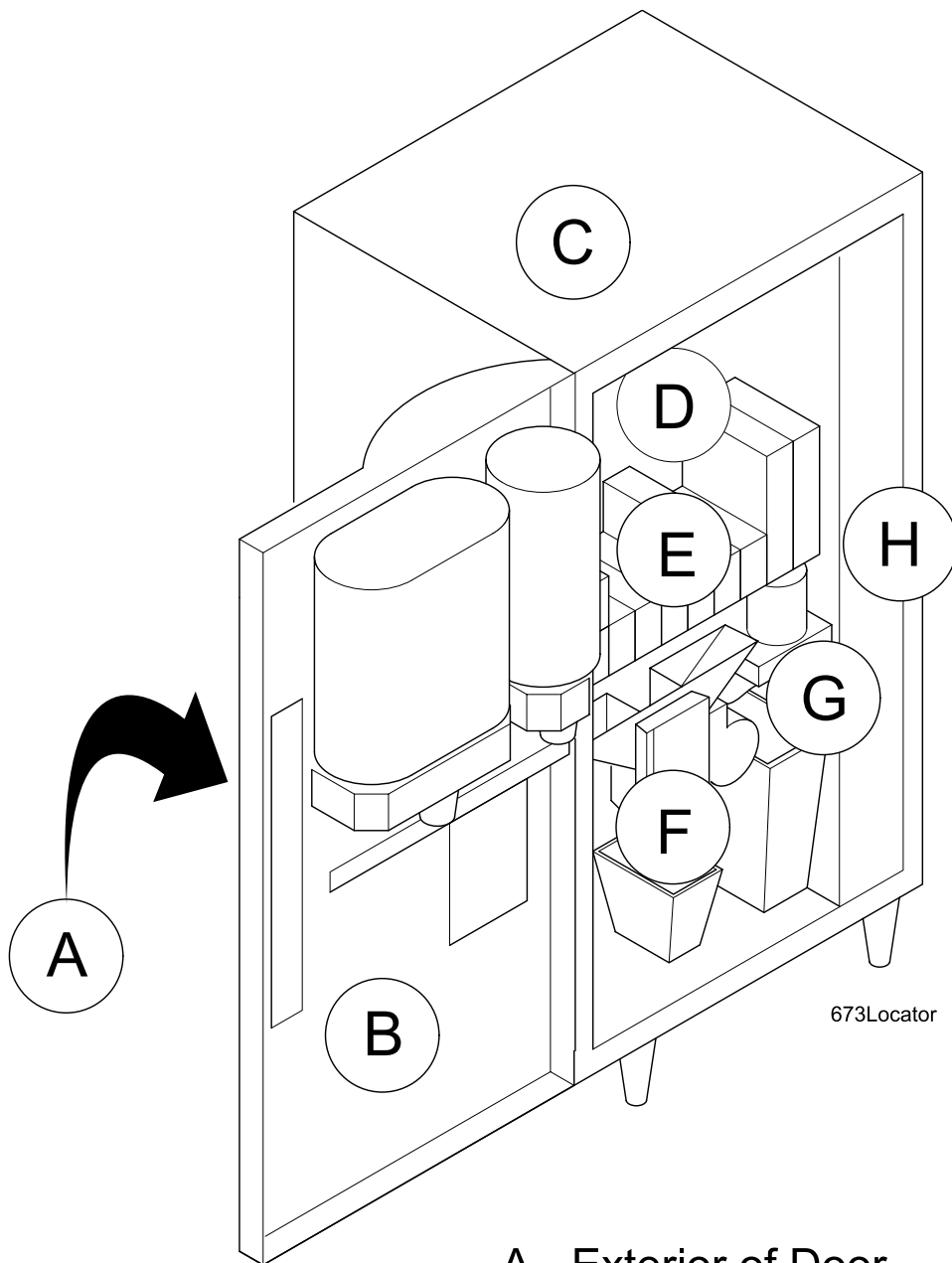


The Right Part, Right Now

CRANE MERCHANDISING SYSTEMS™ A Crane Co. Company
CMS PARTS & SUPPORT

12955 Enterprise Way
Bridgeton, Missouri 63044-1200
(314) 298-3500 / (800) 621-7278
www.CraneMS.com

6730012



- A - Exterior of Door
- B - Interior of Door
- C - Cabinet
- D - Water Tank, Water Filters
- E - Product Canisters
- F - Cup Station
- G - Brewer
- H - Monetary

Crane Merchandising Systems Parts and Support
Parts: 1-800-621-7278 Service: 1-800-628-8363

List of Figures

List of Figures

Section A: Exterior of Door	1
FIGURE 1: Door and Trim Panels	2
FIGURE 2: Pop and Trim Display	4
FIGURE 3: Top and Bottom End Cabinet Assembly with Pop Displays	6
FIGURE 4: Frame - Cup Display Door	8
FIGURE 5: Exterior Door - Pop Lights Display	10
FIGURE 6: Pop Display Backlight Assembly - Top	12
FIGURE 7: Pop Display Backlight Assembly - Side	14
FIGURE 8: Pop Display Backlight Assembly - Bottom	16
Section B: Interior of Door	18
FIGURE 9: Interior Door Miscellaneous (Part 1 of 2)	18
FIGURE 10: Interior Door Miscellaneous (Part 2 of 2)	20
FIGURE 11: Menu Backlight Assembly - Upper	22
FIGURE 12: Lockbar Assembly	24
FIGURE 13: Door Lock Parts	26
FIGURE 14: Coin Return Cup Parts	28
FIGURE 15: Cup Canisters and Cup Mechanism Assembly	30
FIGURE 16: Cup Canisters and Cup Mechanisms For 12 Thru 20 oz Cups	32
FIGURE 17: Turret and Canister Assembly - 4 Column For 12 Thru 20 OZ CUPs	34
FIGURE 18: Turret and Canister Assembly - 7 Column For 12 Thru 20 OZ CUPs	36
FIGURE 19: Cup Mechanism Assembly - 4 Column For 12 Thru 20 OZ Cups	38
FIGURE 20: Cup Mechanism Assembly - 7 Column For 12 Thru 20 OZ Cups	40
FIGURE 21: Mechanism Assembly - 11 Column For 7 Thru 12 OZ Cups	42
FIGURE 22: Cup Ring Assembly	44
FIGURE 23: Actuator Assembly - Cup Ring	45
FIGURE 24: Mounting Bracket Assembly - Right	46
FIGURE 25: Manual Door	48
FIGURE 26: Auto Door	50
Section C: Cabinet, Misc. Parts	52
FIGURE 27: Cabinet Miscellaneous Parts	52
FIGURE 28: Door Hinge Assembly - Upper and Lower	54
FIGURE 29: Leg Assembly	56
FIGURE 30: Base Plate and Assembly - (Millennia)	58
FIGURE 31: Cabinet Service - Light Bracket Assembly	60
FIGURE 32: Overflow Switch Assembly	62
Section D: Water Tank, Water Filters	64
FIGURE 33: Hot Water Valve Assembly - 115V	64
FIGURE 34: Water Tank Assembly	66
FIGURE 35: Water Tank - Lid Assembly	68
FIGURE 36: Filter and Head Assembly - Hydro Life 115V	70
FIGURE 37: Filter Head Assembly - Everpure 115V	72
FIGURE 38: Filter Head Assembly - Cuno 115V	74
FIGURE 39: Bracket and Valve Assembly	76
FIGURE 40: Heater Assembly - 115V / 50W (Optional)	78
Section E: Product Canisters	80
FIGURE 41: Canister Support Assembly - Dual Grinder	80
FIGURE 42: Canister Support Assembly - Dual/Fresh Brewed w/ 7th Product	82
FIGURE 43: Canister Support Assembly - Freeze Dried with 7th Product	84

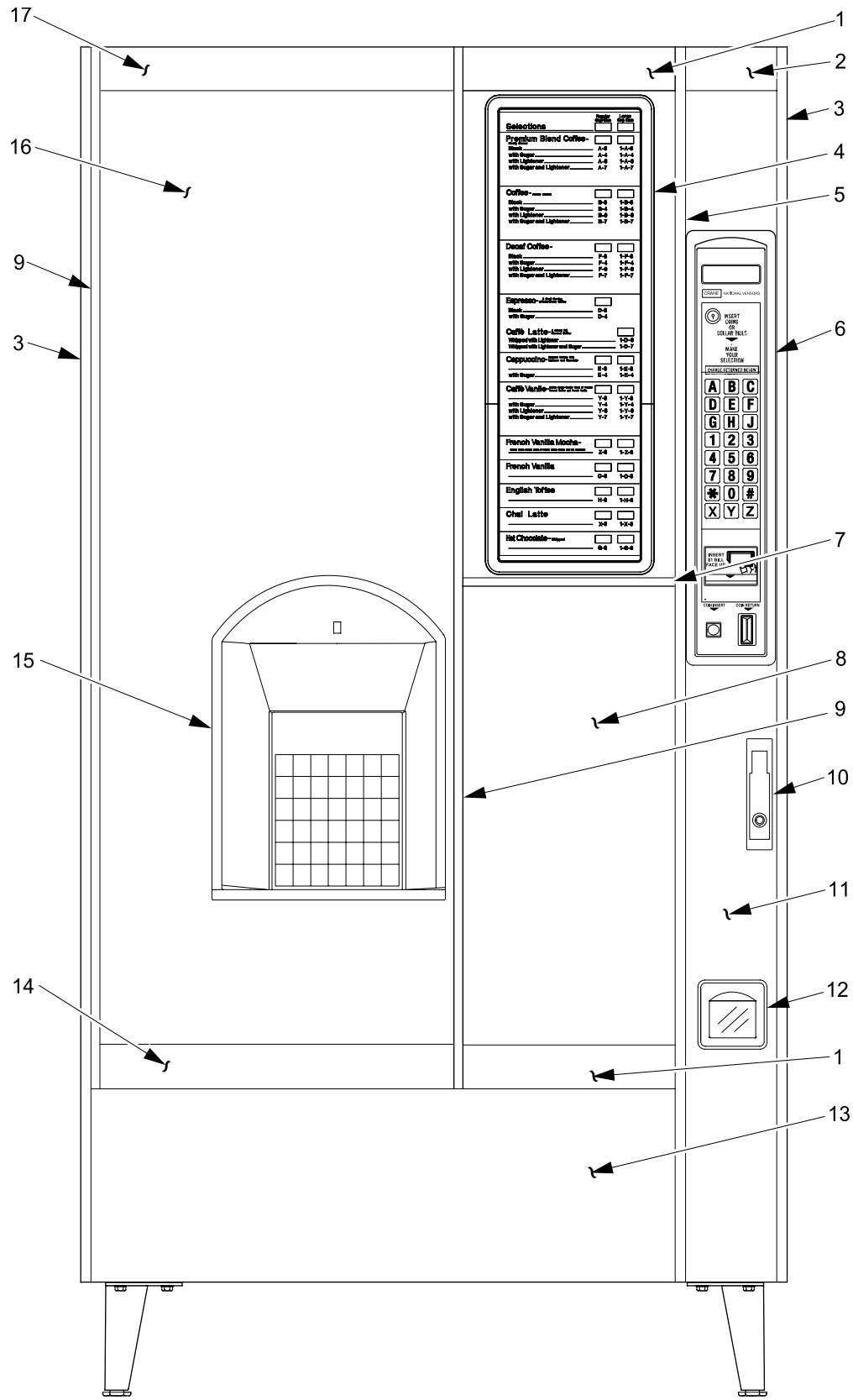
FIGURE 44:	Canister Support Assembly - Single Fresh Brewed w/ 7th Product	86
FIGURE 45:	Canister Support Assembly - Single Fresh Brewed w/ 6th Product	88
FIGURE 46:	Canister Motor - Location	90
FIGURE 47:	Canister Assemblies	92
FIGURE 48:	Canister Assembly - Chocolate	94
FIGURE 49:	Canister Assembly - Soup 6th Product	96
FIGURE 50:	Canister Assembly - Lightener	98
FIGURE 51:	Canister Assembly - 1 sleeve	100
FIGURE 52:	Canister Assembly - Freeze Dried Coffee	102
FIGURE 53:	Canister Assembly - Coffee Pre-Ground	104
FIGURE 54:	Canister Assembly - Decaffeinated Pre-Ground	106
FIGURE 55:	Canister Assembly - Coffee Bean	108
Section F: Cup Station		110
FIGURE 56:	Canister Support Assembly - Cup Station	110
FIGURE 57:	Cup Delivery Assembly For 7 Thru 12 OZ Cups	112
FIGURE 58:	Cup Delivery Assembly For 12 Thru 20 OZ Cups - Surevend	114
FIGURE 59:	Cup Delivery Station and Miscellaneous Cabinet Parts	116
Section G: Brewer, Paper Filter		118
FIGURE 60:	Filter Paper and Blower Assembly	118
FIGURE 61:	Bracket, Blower, and Cover Assembly	120
FIGURE 62:	Filter Paper - Pump/Brewer Drive (location)	122
FIGURE 63:	Filter Paper Assembly	124
FIGURE 64:	Pump Assembly - 115V	126
FIGURE 65:	Brewer Drive Assembly	128
FIGURE 66:	Brewer Assembly with Hoses and Mixing Bowl	130
FIGURE 67:	Brewer Assembly With Filter	132
FIGURE 68:	Brewer Assembly Without Filter	134
FIGURE 69:	Gear Train Assembly	136
FIGURE 70:	Carrier and Cam Follower Assembly	138
FIGURE 71:	Idle Axle and Roller Assembly	140
FIGURE 72:	Whipper Assembly	142
FIGURE 73:	Fresh Brew Mixing Bowl Assembly - with Cap and Spout	144
FIGURE 74:	Grinder Assembly - Coffee Bean	146
Section H: Monetary, Cabinet Back		148
FIGURE 75:	Exterior Monetary Door	148
FIGURE 76:	Interior Monetary Door (Part 1 of 3)	150
FIGURE 77:	Interior Monetary Door (Part 2 of 3)	152
FIGURE 78:	Interior Monetary Door (Part 3 of 3)	154
FIGURE 79:	Power Panel Assembly - 20A	156
FIGURE 80:	Monetary - Debit Card Readers and Bill Validators	158
FIGURE 81:	Wiring Diagram - Hot Beverage 115/230 Volt	162

List of Tables

List of Tables

Section A: Exterior of Door	1
TABLE 1 Door and Trim Panels	3
TABLE 2 Pop and Trim Display	5
TABLE 3A: Top Cabinet Assembly With Pop Displays	7
TABLE 3B: Bottom Cabinet Assembly with Pop Displays	7
TABLE 4 Frame - Cup Display Door	9
TABLE 5 Exterior Door - Pop Lights Display	11
TABLE 6 Pop Display Backlight Assembly - Top	13
TABLE 7 Pop Display Backlight Assembly - Side	15
TABLE 8 Pop Display Backlight Assembly - Bottom	17
Section B: Interior of Door	18
TABLE 9 Interior Door Miscellaneous (Part 1 of 2)	19
TABLE 10 Interior Door Miscellaneous (Part 2 of 2)	21
TABLE 11 Menu Backlight Assembly - Upper	23
TABLE 12 Lockbar Assembly	25
TABLE 13 Door Lock Parts	27
TABLE 14 Coin Return Cup Parts	29
TABLE 15 Cup Canisters and Cup Mechanism Assembly	31
TABLE 16 Cup Canisters and Cup Mechanisms For 12 Thru 20 oz Cups	33
TABLE 17 Turret and Canister Assembly - 4 Column For 12 Thru 20 OZ Cups	35
TABLE 18 Turret and Canister Assembly - 7 Column for 12 thru 20 OZ CUPS	37
TABLE 19 Cup Mechanism Assembly - 4 Column For 12 Thru 20 OZ Cups	39
TABLE 20 Cup Mechanism Assembly - 7 Column For 12 Thru 20 OZ Cups	41
TABLE 21 Mechanism Assembly - 11 Column For 7 Thru 12 oz Cups	43
TABLE 22 Cup Ring Assembly	44
TABLE 23 Actuator Assembly - Cup Ring	45
TABLE 24 Mounting Bracket Assembly - Right	47
TABLE 25 Manual Door	49
TABLE 26 Auto Door	51
Section C: Cabinet, Misc. Parts	52
TABLE 27 Cabinet Miscellaneous Parts	53
TABLE 28 Door Hinge Assembly - Upper and Lower	55
TABLE 29 Leg Assembly	57
TABLE 30 Base Plate and Assembly - (Millennia)	59
TABLE 31 Cabinet Service - Light Bracket Assembly	61
TABLE 32 Overflow Switch Assembly	63
Section D: Water Tank, Water Filters	64
TABLE 33 Hot Water Valve Assembly - 115V	65
TABLE 34 Water Tank Assembly	67
TABLE 35 Water Tank - Lid Assembly	69
TABLE 36 Filter and Head Assembly - Hydro Life 115V	71
TABLE 37 Filter Head Assembly - Everpure 115V	73
TABLE 38 Filter Head Assembly - Cuno 115V	75
TABLE 39 Bracket and Valve Assembly	77
TABLE 40 Heater Assembly - 115 / 50W (Optional)	79
Section E: Product Canisters	80
TABLE 41 Canister Support Assembly - Dual Grinder	81
TABLE 42 Canister Support Assembly - Dual/Fresh Brewed w/ 7th Product	83
TABLE 43 Canister Support Assembly - Freeze Dried with 7th Product	85
TABLE 44 Canister Support Assembly - Single Fresh Brewed w/ 7th Product	87

TABLE 45	Canister Support Assembly - Single Fresh Brewed w/ 6th Product	89
TABLE 46	Canister Motor - Location	91
TABLE 47	Canister Assemblies	93
TABLE 48	Canister Assembly - Chocolate	95
TABLE 49	Canister Assembly - Soup 6th Product	97
TABLE 50	Canister Assembly - Lightener	99
TABLE 51	Canister Assembly - 1 sleeve	101
TABLE 52	Canister Assembly - Freeze Dried Coffee	103
TABLE 53	Canister Assembly - Coffee Pre-Ground	105
TABLE 54	Canister Assembly - Decaffeinated Pre-Ground	107
TABLE 55	Canister Assembly - Coffee Bean	109
TABLE 55A:	Canister Assembly - Decaf Bean (Not Shown)	109
Section F: Cup Station		110
TABLE 56	Canister Support Assembly - Cup Station	111
TABLE 57	Cup Delivery Assembly For 7 thru 12 OZ Cups	113
TABLE 58	Cup Delivery Assembly For 12 Thru 20 OZ Cups - Surevend	115
TABLE 59	Cup Delivery Station and Miscellaneous Cabinet Parts	117
Section G: Brewer, Paper Filter		118
TABLE 60	Filter paper and Blower Assembly	119
TABLE 61	Bracket, Blower, and Cover Assembly	121
TABLE 62	Filter Paper - Pump/Brewer Drive (location)	123
TABLE 63	Filter Paper Assembly	125
TABLE 64	Pump Assembly - 115V	127
TABLE 65	Brewer Drive Assembly	129
TABLE 66	Brewer Assembly with Hoses and Mixing Bowl	131
TABLE 67	Brewer Assembly With Filter	133
TABLE 68	Brewer Assembly Without Filter	135
TABLE 69	Gear Train Assembly	137
TABLE 70	Carrier and Cam Follower Assembly	139
TABLE 71A:	Idle Axle and Roller Assembly - Right	141
TABLE 71B:	Idle Axle and Roller Assembly - Left	141
TABLE 72	Whipper Assembly	143
TABLE 73	Fresh Brew Mixing Bowl Assembly - with Cap and Spout	145
TABLE 74	Grinder Assembly - Coffee Bean	147
Section H: Monetary, Cabinet Back		148
TABLE 75	Exterior Monetary Door	149
TABLE 76	Interior Monetary Door (Part 1 of 3)	151
TABLE 77	Interior Monetary Door (Part 2 of 3)	153
TABLE 78	Interior Monetary Door (Part 3 of 3)	155
TABLE 79	Power Panel Assembly - 20A	157
TABLE 80A	Monetary - Debit Card Readers and Bill Validators	159
TABLE 80B	Monetary Location Options	159
TABLE 80C	Card Reader Options	160
TABLE 80D	Bill Validator Options	160
TABLE 80E	Coin Mechanism Options	161
TABLE 81A	Wiring Diagram - Hot Beverage 115/230 Volt	163
TABLE 81B	J Connections	163

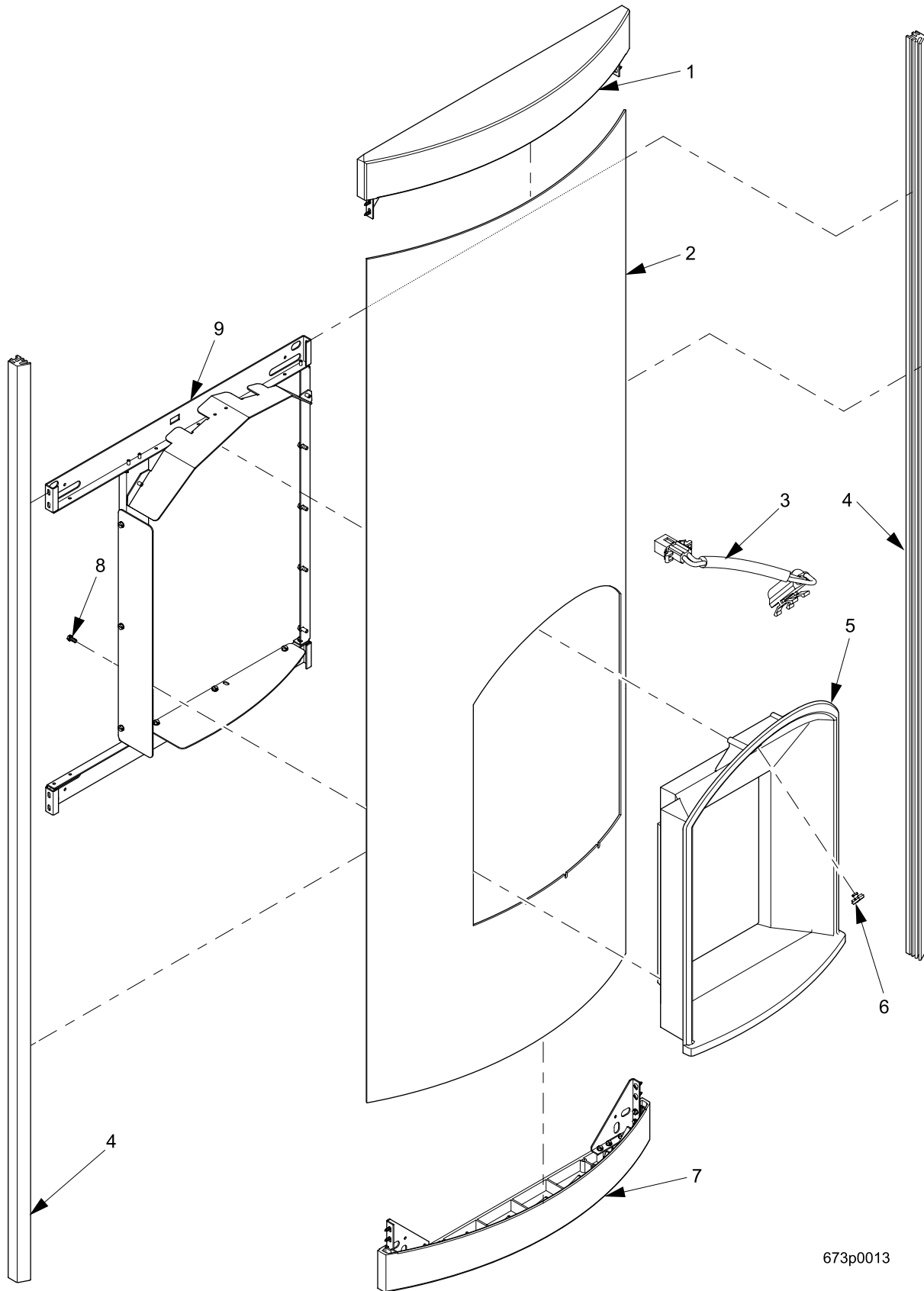


673p0001

FIGURE 1 DOOR AND TRIM PANELS

TABLE 1 DOOR AND TRIM PANELS

INDEX	PART NUMBER	DESCRIPTION	QTY
1	6732040	TRIM - DOOR - HORIZONTAL (LONG)	2
2	6732039	TRIM - DOOR - HORIZONTAL (SHORT)	1
3	1592069	TRIM - DOOR - SIDE - BLACK	2
4	6732043	FRAME - PRODUCT IDENTIFIER	1
5	6732038	TRIM - DOOR - VERTICAL	1
6	1575002	CASTING - MONETARY FRAME	1
7	6732048	TRIM - GLASS	1
8	6732032	TRIM PANEL - CENTER - BLACK PICA	1
9	6732003	TRIM - DISPLAY - VERTICAL - BLACK	2
10	8905011	BASE - LEVER - LOCK - BLACK	1
11	6732031	TRIM PANEL - RIGHT - BLACK PICA	1
12	1572011	TRIM - COIN CUP - BLACK	1
13	6732027	TRIM PANEL - BOTTOM - STERLING	1
	6732085	TRIM PANEL - BOTTOM - MILL.GREY	1
	6732030	TRIM PANEL - BOTTOM - BLACK PICA	1
14	6732017	END CAP ASSEMBLY - BOTTOM - P.O.P. DISPLAY (SEE FIGURE 3)	1
15	6732004	FRAME - CUP - DISPLAY DOOR	1
16	6732002	DISPLAY POP - HDC2	1
17	6732012	END CAP ASSEMBLY - TOP - P.O.P. DISPLAY (SEE FIGURE 3)	1

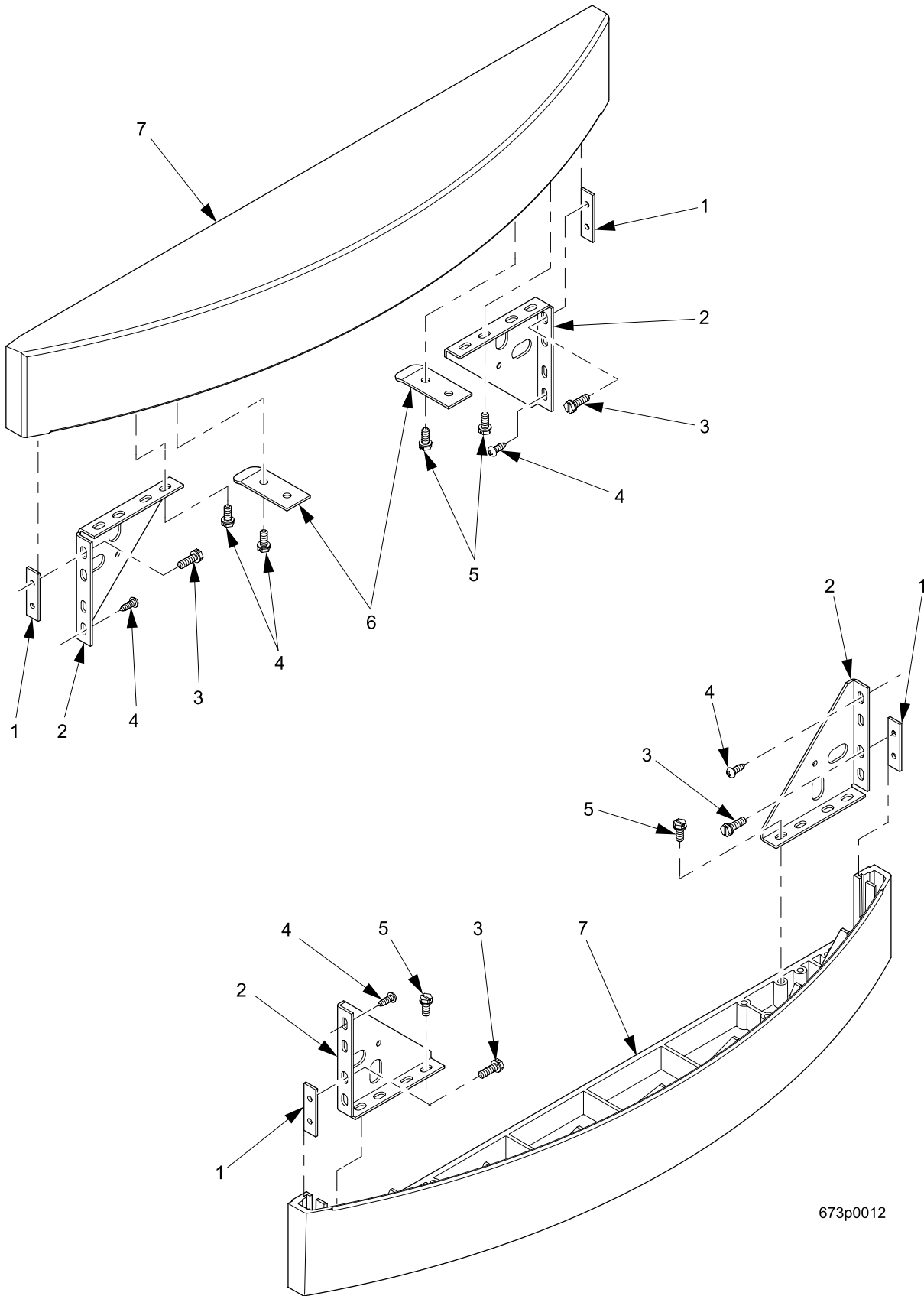


673p0013

FIGURE 2 POP AND TRIM DISPLAY

TABLE 2 POP AND TRIM DISPLAY

INDEX	PART NUMBER	DESCRIPTION	QTY
1	6732012	END CAP ASSEMBLY - TOP - P.O.P. DISPLAY (SEE FIGURE 3)	1
2	6732002	DISPLAY POP - HDC2	1
3	6739013	INDICATOR LAMP - 28V	1
4	6732003	TRIM - DISPLAY - VERTICAL - BLACK	2
5	6732004	FRAME - CUP - DISPLAY DOOR	1
6	6362021	LENS - RECTANGULAR - RED	1
7	6732017	END CAP ASSEMBLY - BOTTOM - P.O.P. DISPLAY (SEE FIGURE 3)	1
8	6233065	SCREW - #8-16X.38 PLAST.HHS	10
9	6732005	FRAME ASSEMBLY - CENTER - P.O.P. DISPLAY (SEE FIGURE 4)	1



673p0012

FIGURE 3 TOP AND BOTTOM END CABINET ASSEMBLY WITH POP DISPLAYS

TABLE 3A: TOP CABINET ASSEMBLY WITH POP DISPLAYS

INDEX	PART NUMBER	DESCRIPTION	QTY
1	6732016	BRACKET - MOUNTING - CORNER BRACE	2
2	6732014	BRACE - CORNER	2
3	4741050	SCREW - #8-32 X .50 HX.HD. - T/F-B	4
4	G1472027	SCREW - SHEET METAL - #6 X .44	--
5	6233065	SCREW - #8-16X.38 PLAST.HHS	12
6	6732015	BRACKET - HANGER - DISPLAY DOOR	2
7	6732013	END CAP - DISPLAY DOOR	1

TABLE 3B: BOTTOM CABINET ASSEMBLY WITH POP DISPLAYS

INDEX	PART NUMBER	DESCRIPTION	QTY
1	6732016	BRACKET - MOUNTING - CORNER BRACE	2
2	6732014	BRACE - CORNER	2
3	4741050	SCREW - #8-32 X .50 HX.HD.-T/F-B	4
4	G1472027	SCREW - SHEET METAL-#6 X .44	--
5	6233065	SCREW - #8-16X.38 PLAST.HHS	8
7	6732013	END CAP - DISPLAY DOOR	1

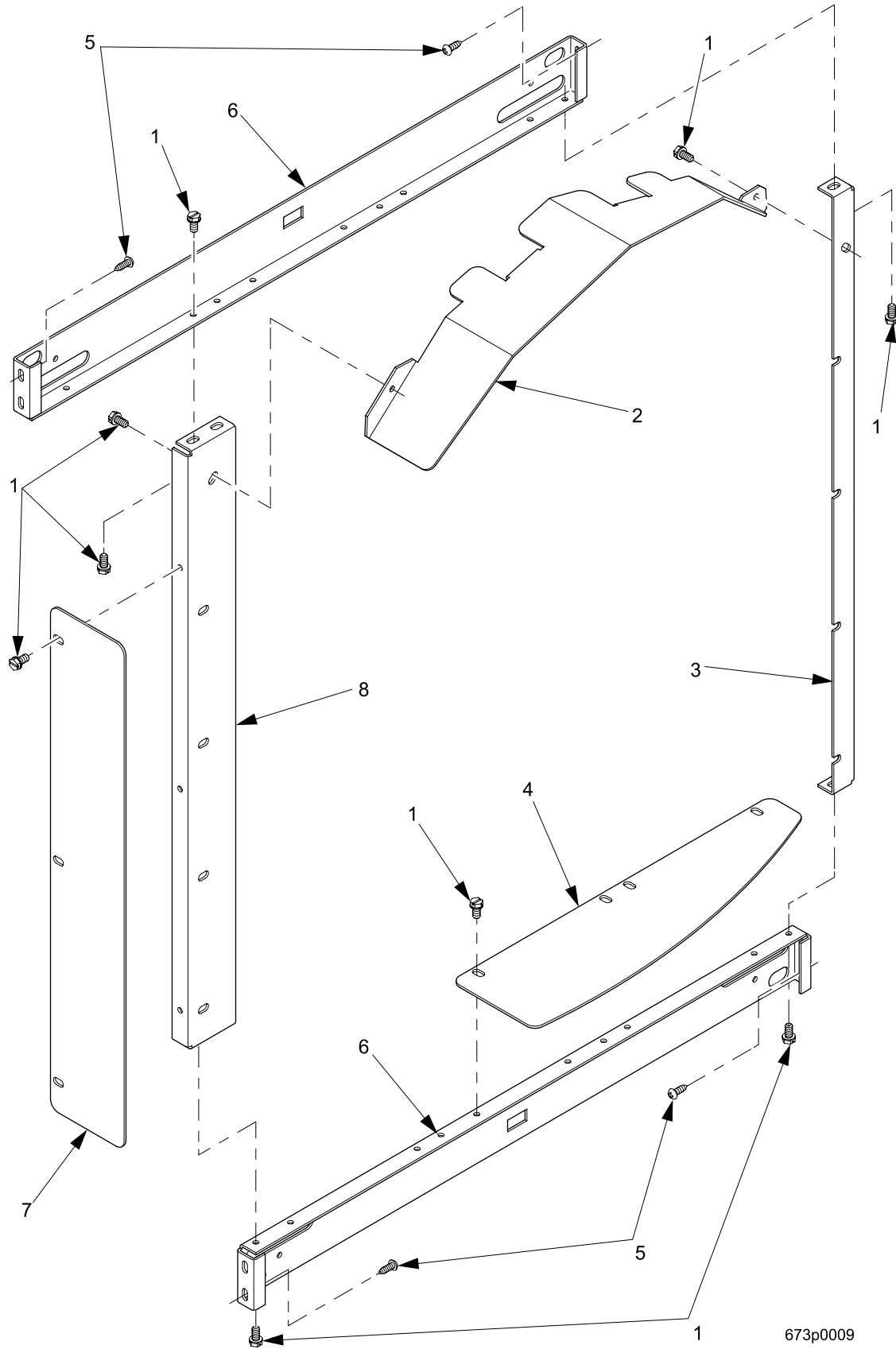


FIGURE 4 FRAME - CUP DISPLAY DOOR

673p0009

TABLE 4 FRAME - CUP DISPLAY DOOR

INDEX	PART NUMBER	DESCRIPTION	QTY
1	1451097	SCREW - #8-32X.31 HEX HD.TF - BLACK.	14
2	6732011	PLATE - SUPPORT - TOP	1
3	6732008	BRACE - VERTICAL - SMALL	1
4	6732009	PLATE - SUPPORT - BOTTOM	1
5	G1472027	SCREW - SHEET METAL - #6 X .44	--
6	6732006	BRACE - CROSS	2
7	6732010	PLATE - SUPPORT - SIDE	1
8	6732007	BRACE - VERTICAL	1

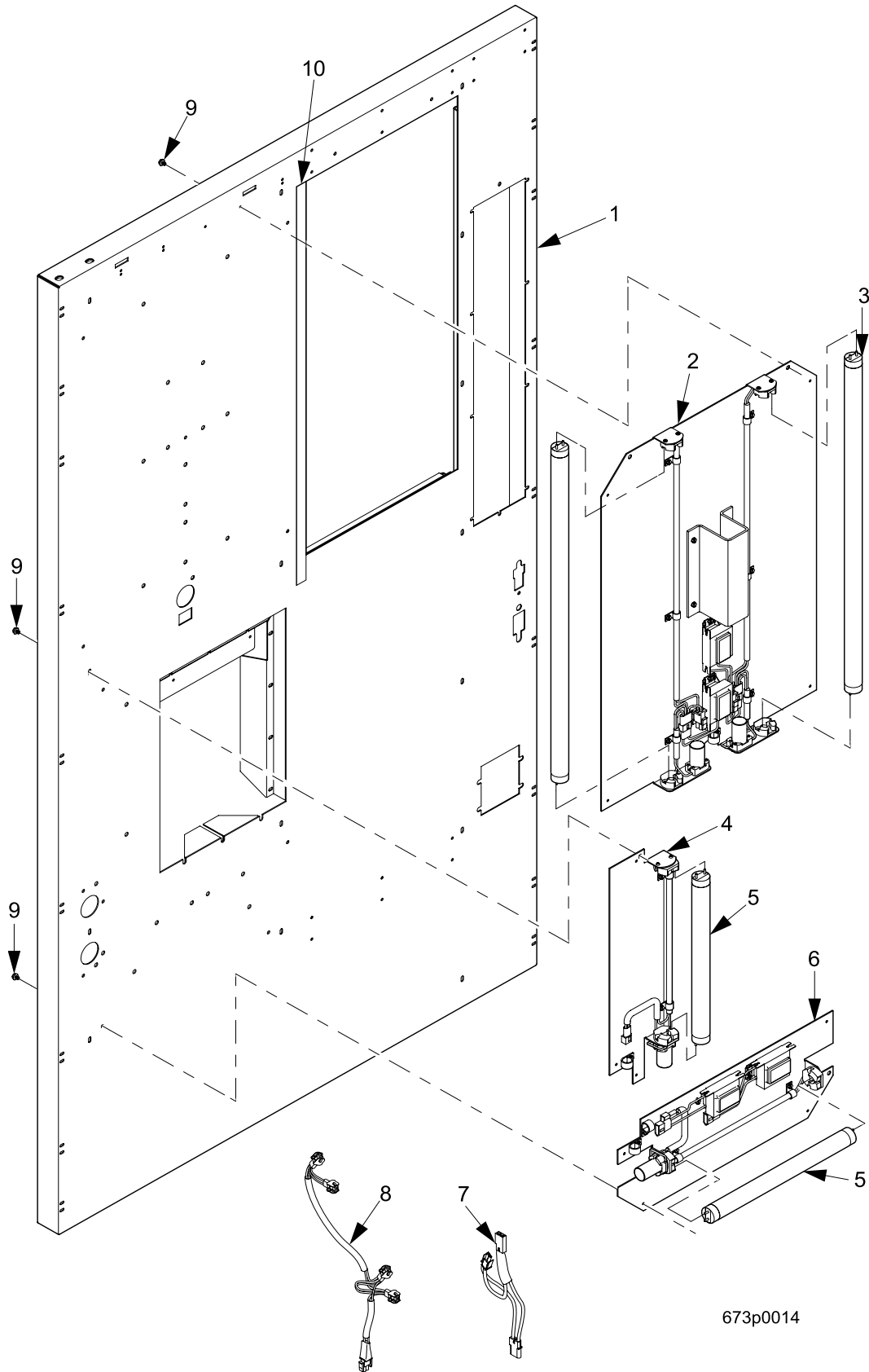


FIGURE 5 EXTERIOR DOOR - POP LIGHTS DISPLAY

TABLE 5 EXTERIOR DOOR - POP LIGHTS DISPLAY

INDEX	PART NUMBER	DESCRIPTION	QTY
1	6732035	DOOR WELD ASSEMBLY - PAINTED BLACK	1
2	6732018	BACKLIGHT ASSEMBLY - TOP (SEE FIGURE 6)	1
3	6732034	LAMP - FLUORESCENT - 18W	2
4	6732022	BACKLIGHT ASSEMBLY - SIDE (SEE FIGURE 7)	1
5	6732033	LAMP - FLUORESCENT - 13W	2
6	6732024	BACKLIGHT ASSEMBLY - BOTTOM (SEE FIGURE 8)	1
7	6739009	JUMPER - FILTER & FLOURESCENT LIGHT	1
8	6739003	HARNESS - DOOR FLUORESCENT	1
9	3157060	SCREW - #8-32X.31	12
10	1172059	VINYL FOAM TAPE	26"

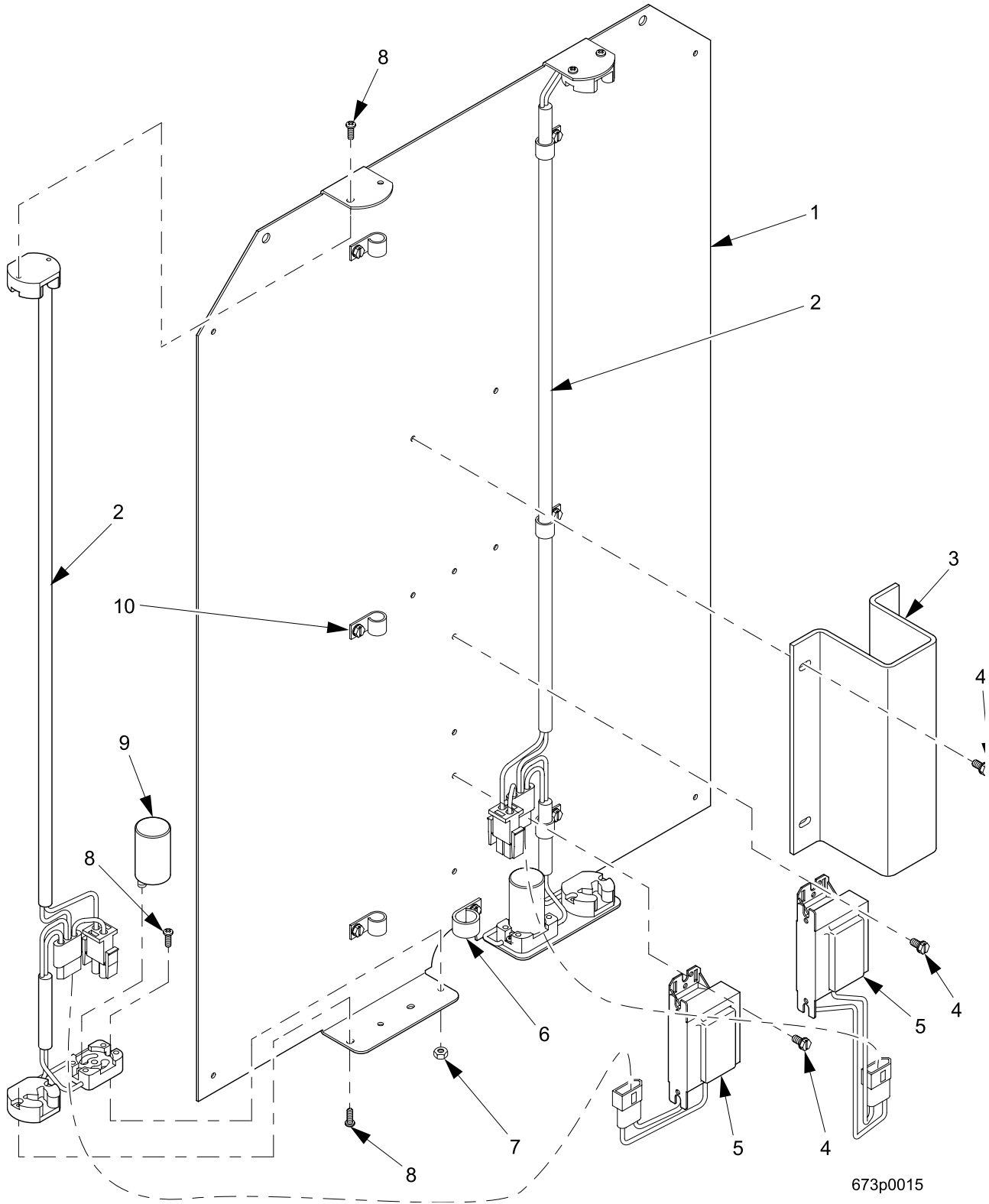


FIGURE 6 POP DISPLAY BACKLIGHT ASSEMBLY - TOP

TABLE 6 POP DISPLAY BACKLIGHT ASSEMBLY - TOP

INDEX	PART NUMBER	DESCRIPTION	QTY
1	6732019	REFLECTOR - LIGHT - TOP	1
2	6739007	HARNESS - RIGHT LAMP	2
3	6732020	BRACE - DISPLAY SUPPORT	1
4	1451097	SCREW - #8-32X.31 HEX HD.TF - BLACK	15
5	6732021	BALLAST ASSEMBLY - 18W - 120V	2
6	4732024	RETAINER - HARNESS	1
7	9900071	NUT #4-40	4
8	5262139	SCREW #4-40X3/8 PPHD M SCR 2P	12
9	2302218	STARTER - FLOURESCENT LAMP - FS-25	2
10	1452139	RETAINER - HARNESS	6

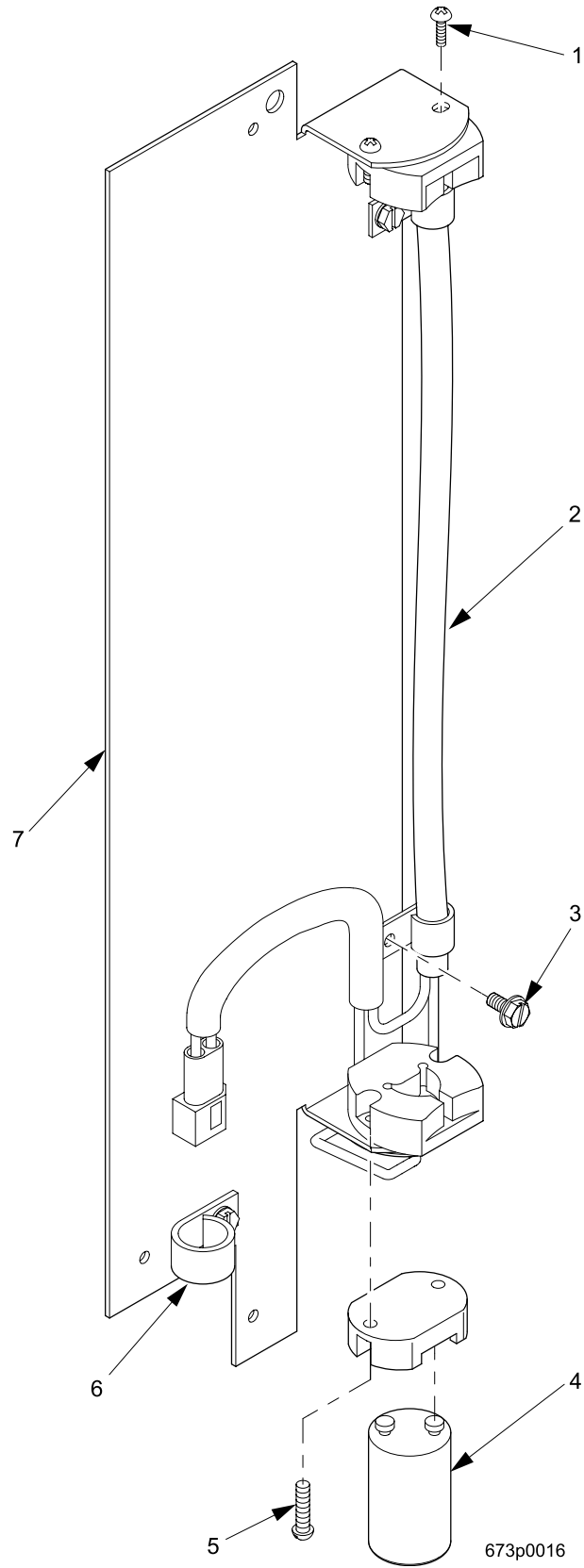
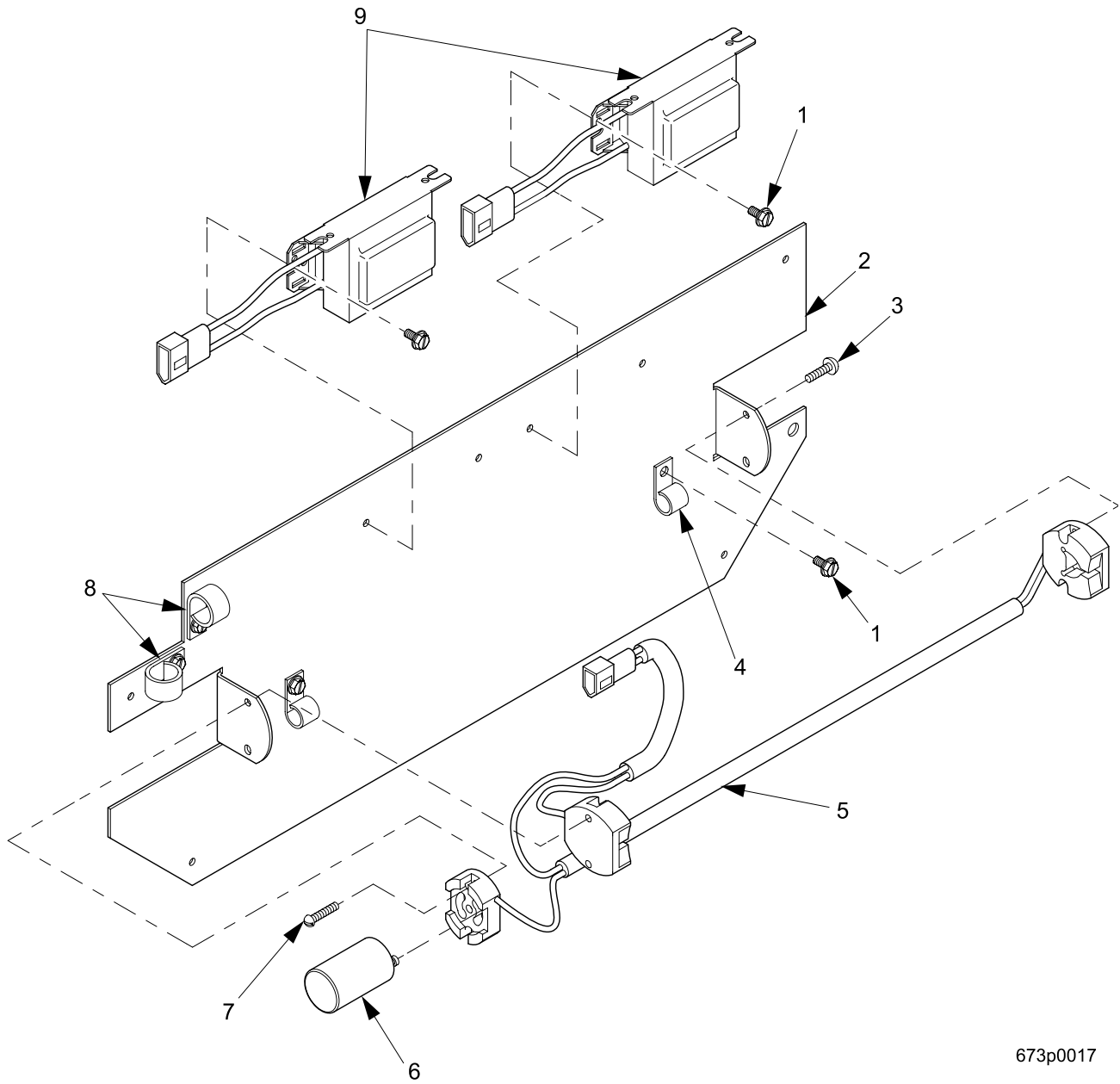


FIGURE 7 POP DISPLAY BACKLIGHT ASSEMBLY - SIDE

TABLE 7 POP DISPLAY BACKLIGHT ASSEMBLY - SIDE

INDEX	PART NUMBER	DESCRIPTION	QTY
1	5262139	SCREW #4-40X3/8 PPHD M SCR 2P	2
2	2346016	HARNESS - FLUORESCENT LIGHT	1
3	1451097	SCREW - #8-32X.31 HEX HD.TF - BLACK	3
4	2222095	STARTER FS-2, FLUORESCENT LAMP	1
5	4312216	SCREW - #4-40 X 5/8 R.H.P	2
6	4732024	RETAINER - HARNESS	2
7	6232023	REFLECTOR - LIGHT - CTR.	1



673p0017

FIGURE 8 POP DISPLAY BACKLIGHT ASSEMBLY - BOTTOM

TABLE 8 POP DISPLAY BACKLIGHT ASSEMBLY - BOTTOM

INDEX	PART NUMBER	DESCRIPTION	QTY
1	1451097	SCREW - #8-32X.31 HEX HD.TF - BLACK	8
2	6732025	REFLECTOR - LIGHT - BTM	1
3	5262139	SCREW - #4-40 X 3/8 PPHD M SCR 2P	2
4	1452139	RETAINER - HARNESS	2
5	2346016	HARNESS - FLUORESCENT LIGHT	1
6	2222095	STARTER FS-2, FLUORSCNT LAMP	1
7	4312216	SCREW - #4-40 X 5/8 R.H.P.	2
8	4732024	RETAINER - HARNESS	2
9	6732026	BALLAST ASSEMBLY - 13W - 120V	2

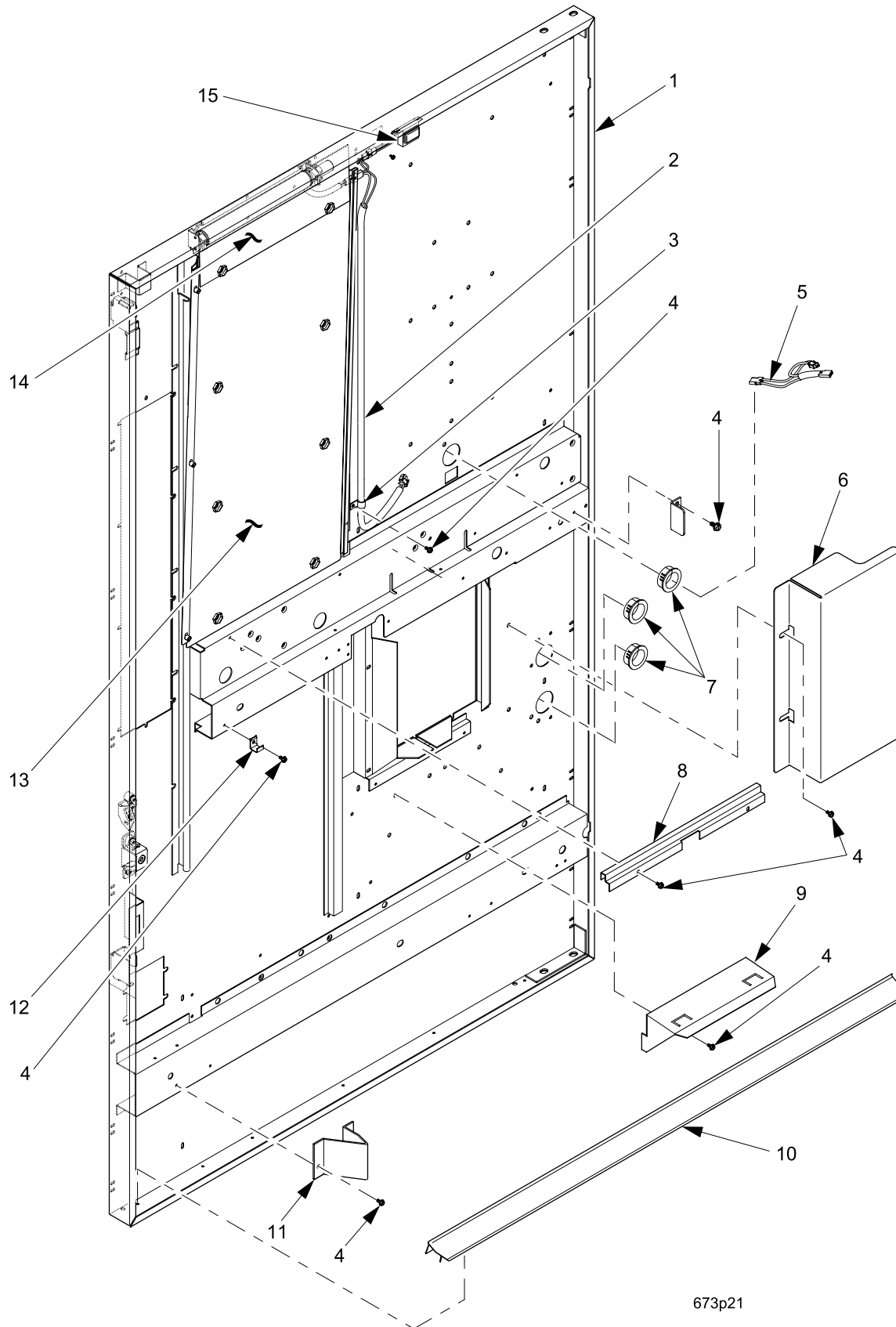


FIGURE 9 INTERIOR DOOR MISCELLANEOUS (PART 1 OF 2)

TABLE 9 INTERIOR DOOR MISCELLANEOUS (PART 1 OF 2)

INDEX	PART NUMBER	DESCRIPTION	QTY
1	6732035	DOOR WELD ASSEMBLY - PAINTED BLACK	1
2	6739014	JUMPER - MENU LAMP	1
3	1452139	RETAINER - HARNESS	2
4	1451097	SCREW - #8-32X.31 HEX HD.TF-BLACK.	--
5	4559009	HARNESS JUMPER	1
6	6732086	COVER - ELECTRICAL PLUG	1
7	4041047	BUSHING #SB1375-16	3
8	6732051	MOUNT - DISPLAY - LOWER	1
9	6342040	LIFT BRACKET - CUP STATION	1
10	1452151	FILLER STRIP - SANITATION	1
11	6231164	BRACKET - DOOR SUPPORT	1
12	3142138	HANGER - CUP STATION	1
13	6732054	PANEL - DISPLAY - LABELS - BLACK PICA	1
14	6732053	SHIELD LIGHT	1
15	6732026	BALLAST ASSEMBLY - 13W - 120V	1
--	6732050	LABEL - DISPLAY PLUG (NOT SHOWN)	1

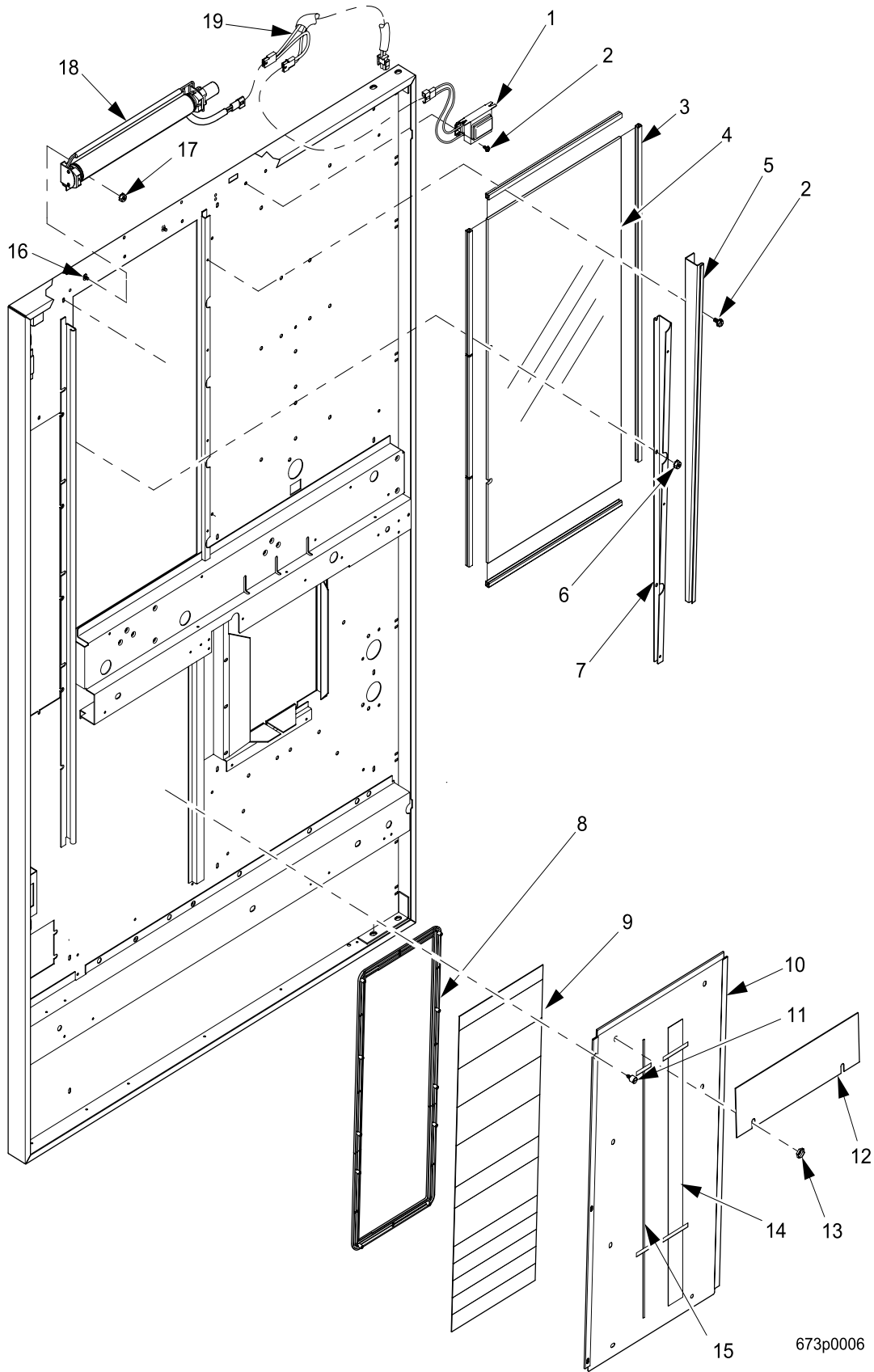
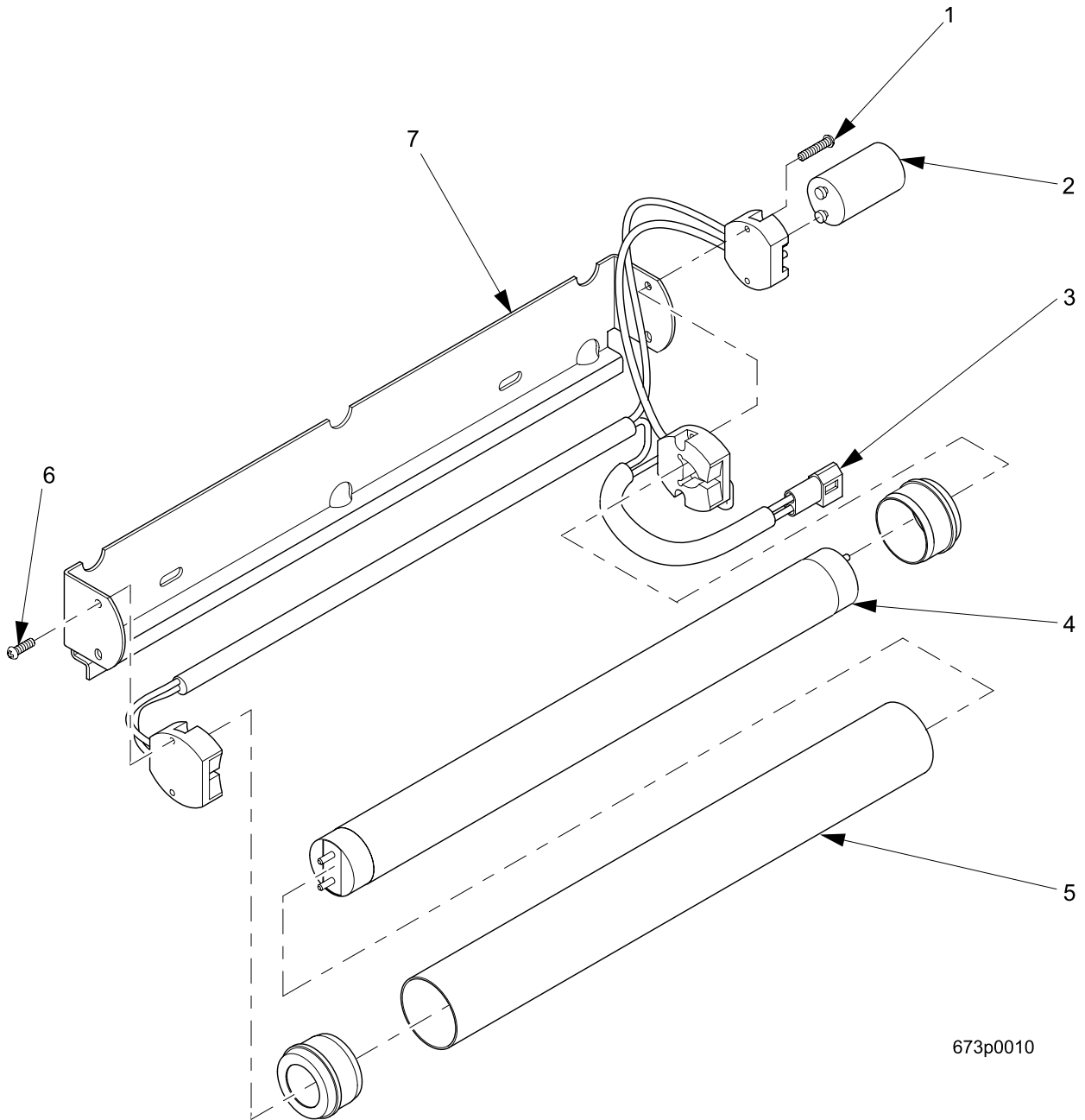


FIGURE 10 INTERIOR DOOR MISCELLANEOUS (PART 2 OF 2)

TABLE 10 INTERIOR DOOR MISCELLANEOUS (PART 2 OF 2)

INDEX	PART NUMBER	DESCRIPTION	QTY
1	6732026	BALLAST ASSEMBLY - 13W - 120	1
2	1451097	SCREW - #8-32X.31 HEX HD.TF - BLACK	--
3	6232092	EXTRUSION - GLASS CHANNEL	77"
4	6732045	GLASS - DISPLAY	1
5	6732044	MOUNT - DISPLAY - RIGHT	1
6	9900081	NUT #8-32 KEPS ZINC PLATE	3
7	6732049	MOUNT - DISPLAY - LEFT	1
8	6732043	FRAME - PRODUCT IDENTIFIER	1
9	--	LABEL INSERT - SEE BAG ASSEMBLY TABLE	1
10	6732054	PANEL DISPLAY LABELS - BLACK PICA	1
11	2206028	THUMB SCREW - SIDEWALL	3
12	6732053	SHIELD - LIGHT	1
13	6232078	NUT - SELF THREADING	10
14	6732088	OVERLAY - LARGE CUP	1
15	6732087	FILLER - FRAME	1
16	2222110	T BOLT - TRIM	2
17	9900081	NUT #8-32 KEPS ZINC PLATE	2
18	6732062	UPPER LIGHT BRACKET ASSEMBLY (SEE FIGURE 11)	1
19	6739014	JUMPER - MENU LAMP	1



673p0010

FIGURE 11 MENU BACKLIGHT ASSEMBLY - UPPER

TABLE 11 MENU BACKLIGHT ASSEMBLY - UPPER

INDEX	PART NUMBER	DESCRIPTION	QTY
1	4312216	SCREW - #4-40 X 5/8 R.H.P	2
2	2222095	STARTER FS-2, FLUORESCENT LAMP	1
3	2346016	HARNESS - FLUORESCENT LIGHT	1
4	6732033	LAMP - FLUORESCENT - 13W	2
5	6732052	LAMP SLEEVE W/END CAPS	1
6	5262139	SCREW #4-40X3/8 PPHD M SC	2
7	6732047	BRACKET - LIGHT TUBE	1

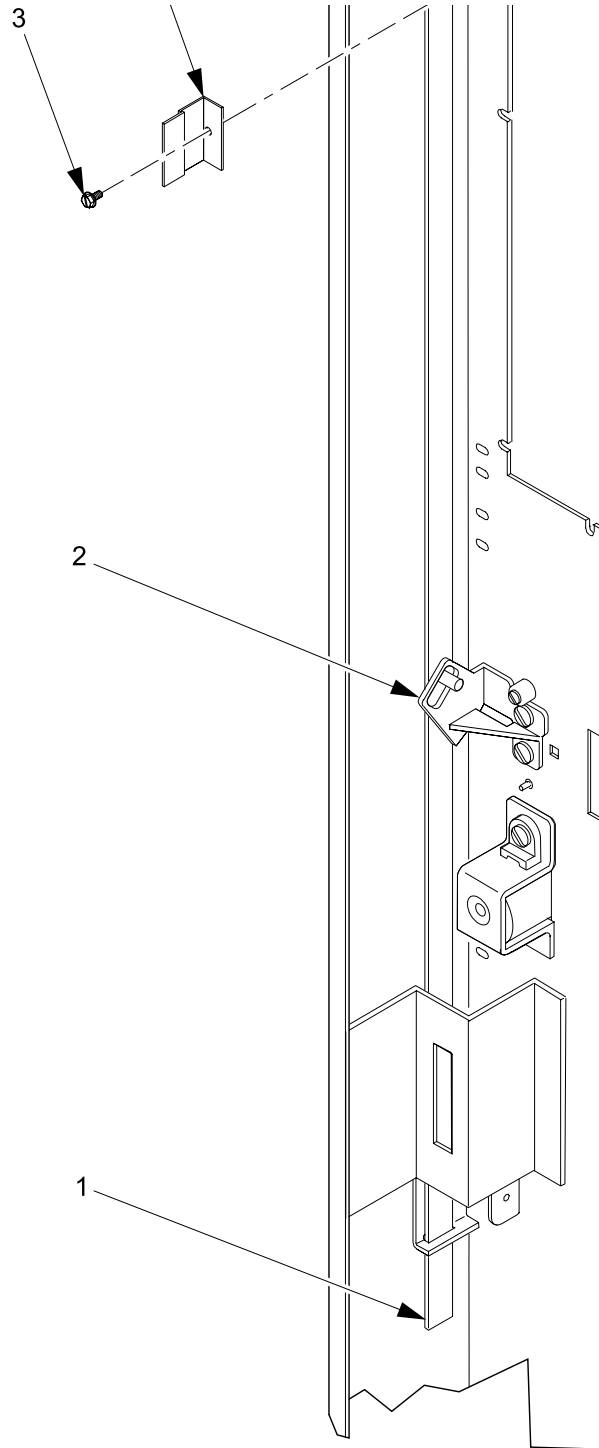
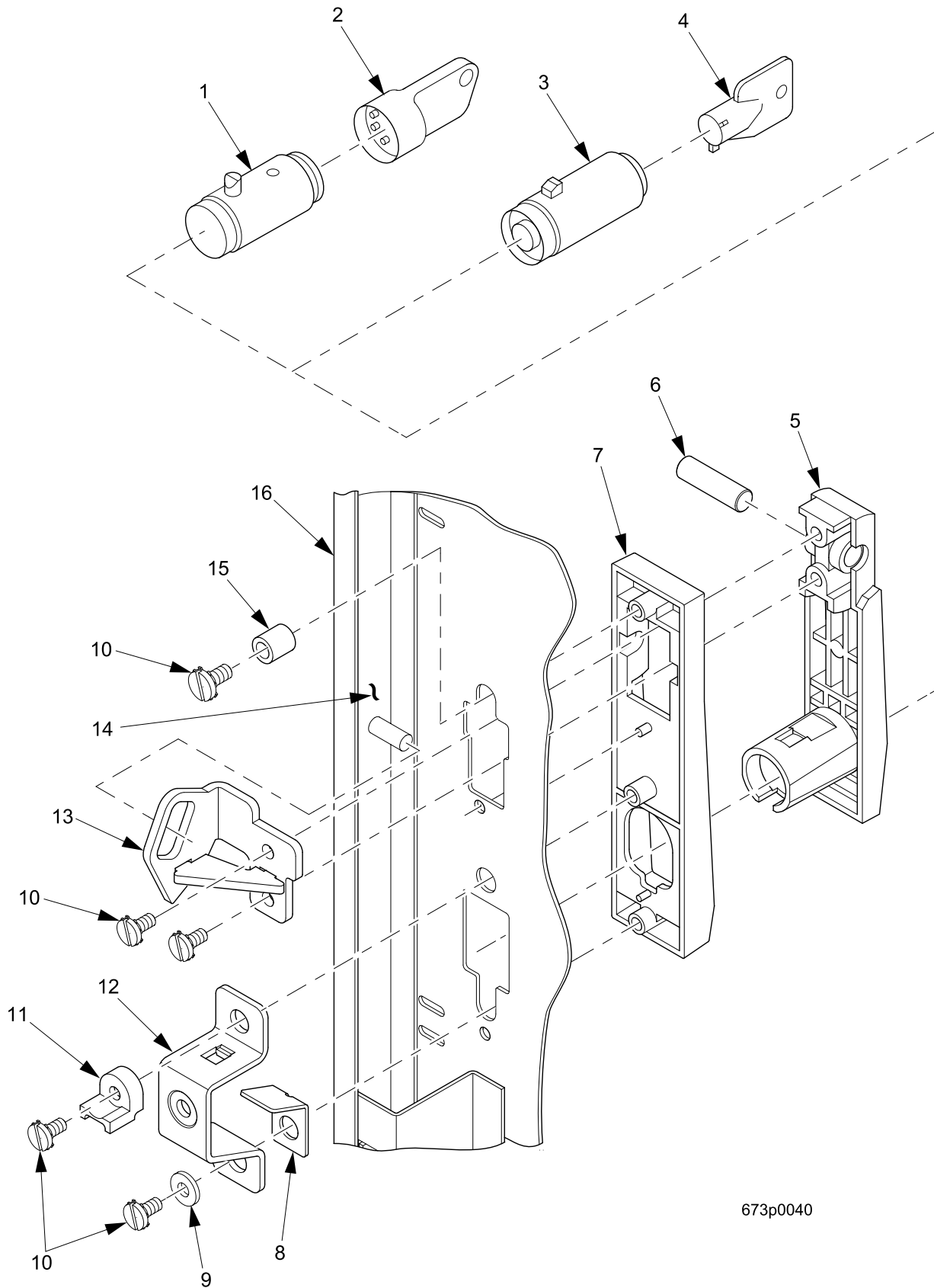


FIGURE 12 LOCKBAR ASSEMBLY

TABLE 12 LOCKBAR ASSEMBLY

INDEX	PART NUMBER	DESCRIPTION	QTY
1	1472178	LOCK BAR ASSEMBLY	1
2	2272052	ACTUATOR - LOCK BAR	1
3	G1472028	SCREW - #6 X 3/8 SHEET METAL	--
4	1472250	GUIDE - LOCK BAR	1

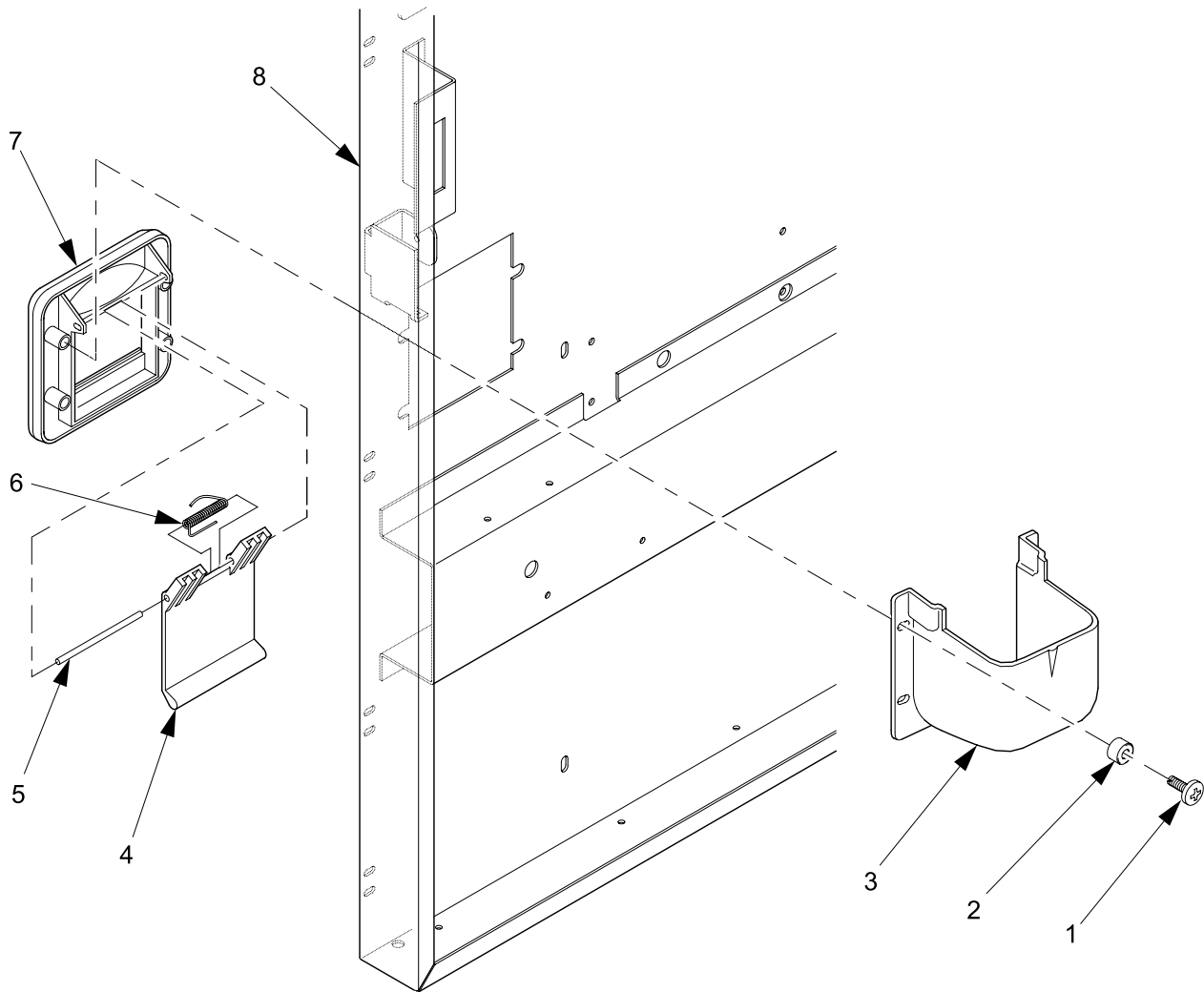


673p0040

FIGURE 13 DOOR LOCK PARTS

TABLE 13 DOOR LOCK PARTS

INDEX	PART NUMBER	DESCRIPTION	QTY
1	3112163	CYLINDER - VAN LOCK #4275 STANDARD COMBINATION	1
2	3112164	KEY - VAN LOCK #K5-STD.COMBINATION	2
3	9992400	LOCK CYLINDER #4355-19-A	1
4	9994000	KEY - GENERIC - 2930 CS	--
5	8905012	LEVER - LOCK - BLACK	1
6	1302291	PIVOT - LEVER - LOCK	1
7	8905011	BASE - LEVER - LOCK - BLACK	1
8	1302290	LATCH - LOCK - LOWER	1
9	9900121	WASHER STEEL 7/6 X .203 X .032	1
10	9900170	SCREW - #10-32 X 1/2" PHIL.PAN HD	5
11	1302326	SHIELD - LATCH	1
12	1302324	CATCH - DOOR LATCH	1
13	2272052	ACTUATOR ASSEMBLY - LOCK BAR	1
14	1472178	LOCK BAR ASSEMBLY	1
15	1302289	SPACER CUP	1
16	6732035	DOOR WELD ASSEMBLY - PAINTED BLACK	1

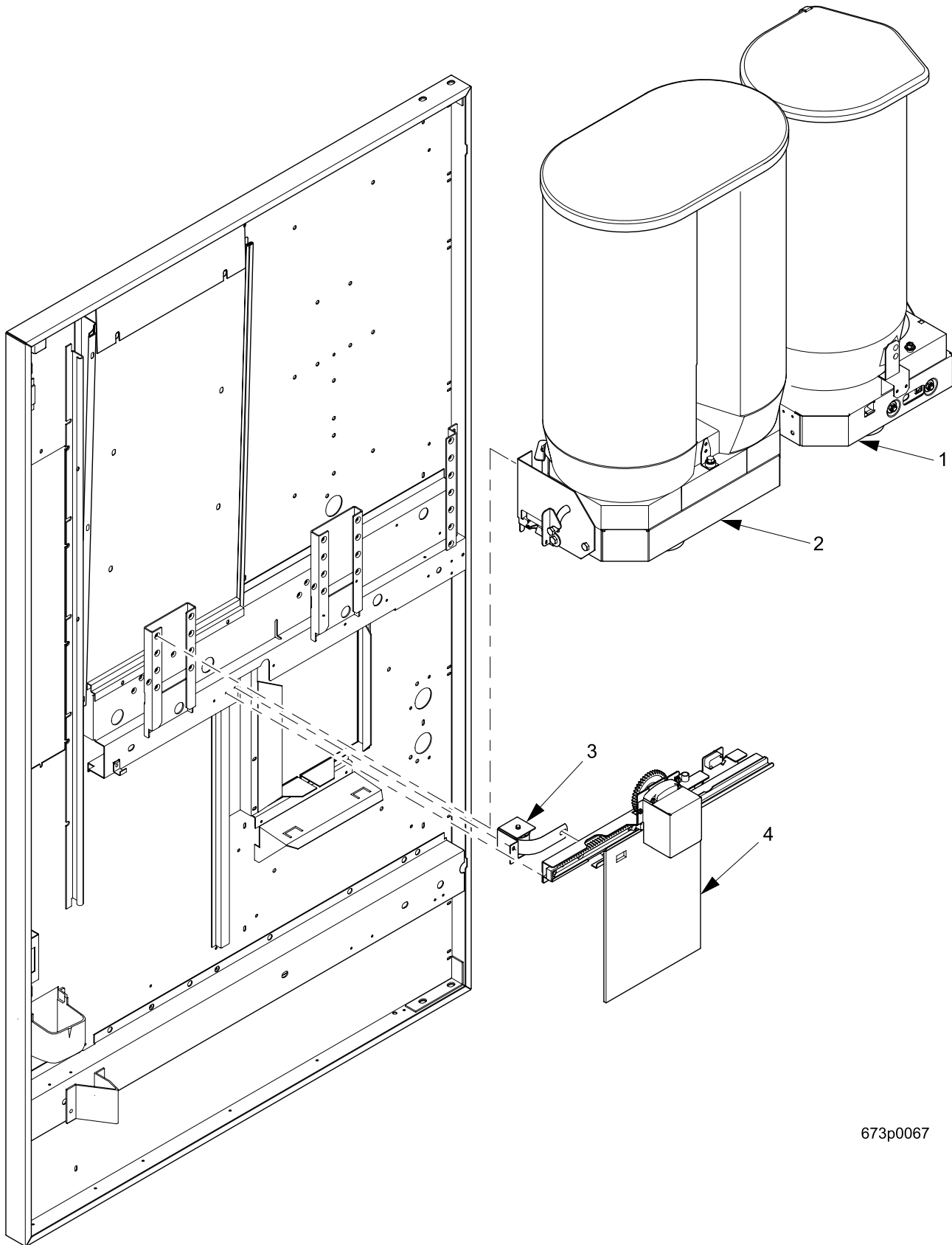


673p0041

FIGURE 14 COIN RETURN CUP PARTS

TABLE 14 COIN RETURN CUP PARTS

INDEX	PART NUMBER	DESCRIPTION	QTY
1	9900160	SCREW - #8-18 X 1/2"PHIL.PAN HD.	4
2	2302053	SPACER - CUP	4
3	1572010	CUP - COIN RETURN	1
4	4245082	GATE - COIN RETURN	1
5	4245084	SHAFT - DOOR - COIN RETURN	1
6	4245083	SPRING - COIN RETURN DOOR	1
7	1572011	TRIM - COIN CUP - BLACK	1
8	6732035	DOOR WELD ASSEMBLY - PAINTED BLACK	1

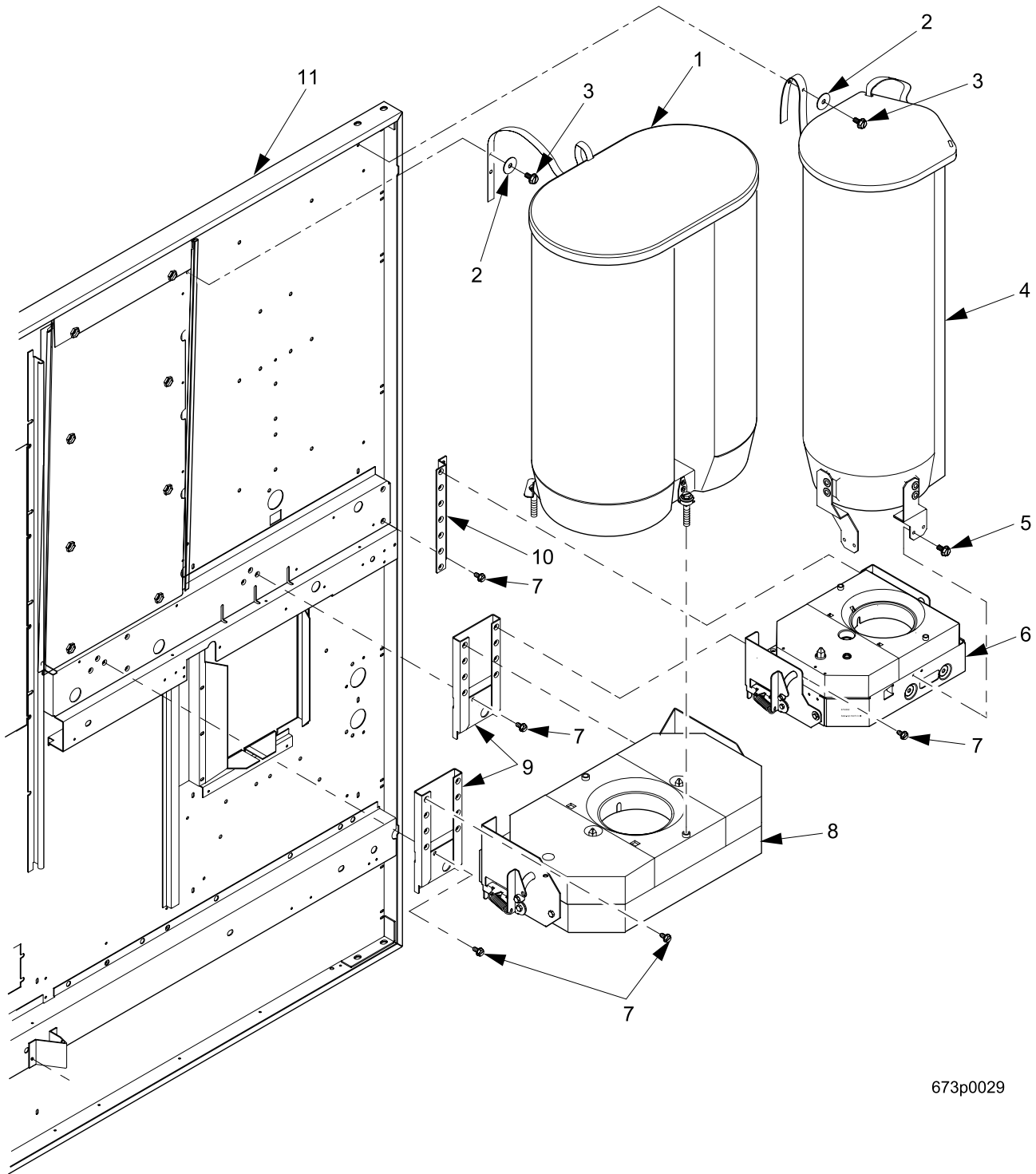


673p0067

FIGURE 15 CUP CANISTERS AND CUP MECHANISM ASSEMBLY

TABLE 15 CUP CANISTERS AND CUP MACHANISM ASSEMBLY

INDEX	PART NUMBER	DESCRIPTION	QTY
1	--	CUP CANISTER & CUP MECHANISM 4 COLUMN (SEE FIGURE 16), (SEE FIGURE 17), AND (SEE FIGURE 19)	--
2	--	CUP CANISTER & CUP MECHANISM 7COLUMN (SEE FIGURE 16), (SEE FIGURE 18), (SEE FIGURE 20)	--
3	6232118	HSG & SPRING ASSEMBLY - VEND DOOR (SEE FIGURE 25)	1
4	--	VEND DOOR & MOTOR ASSEMBLY (SEE FIGURE 26)	--

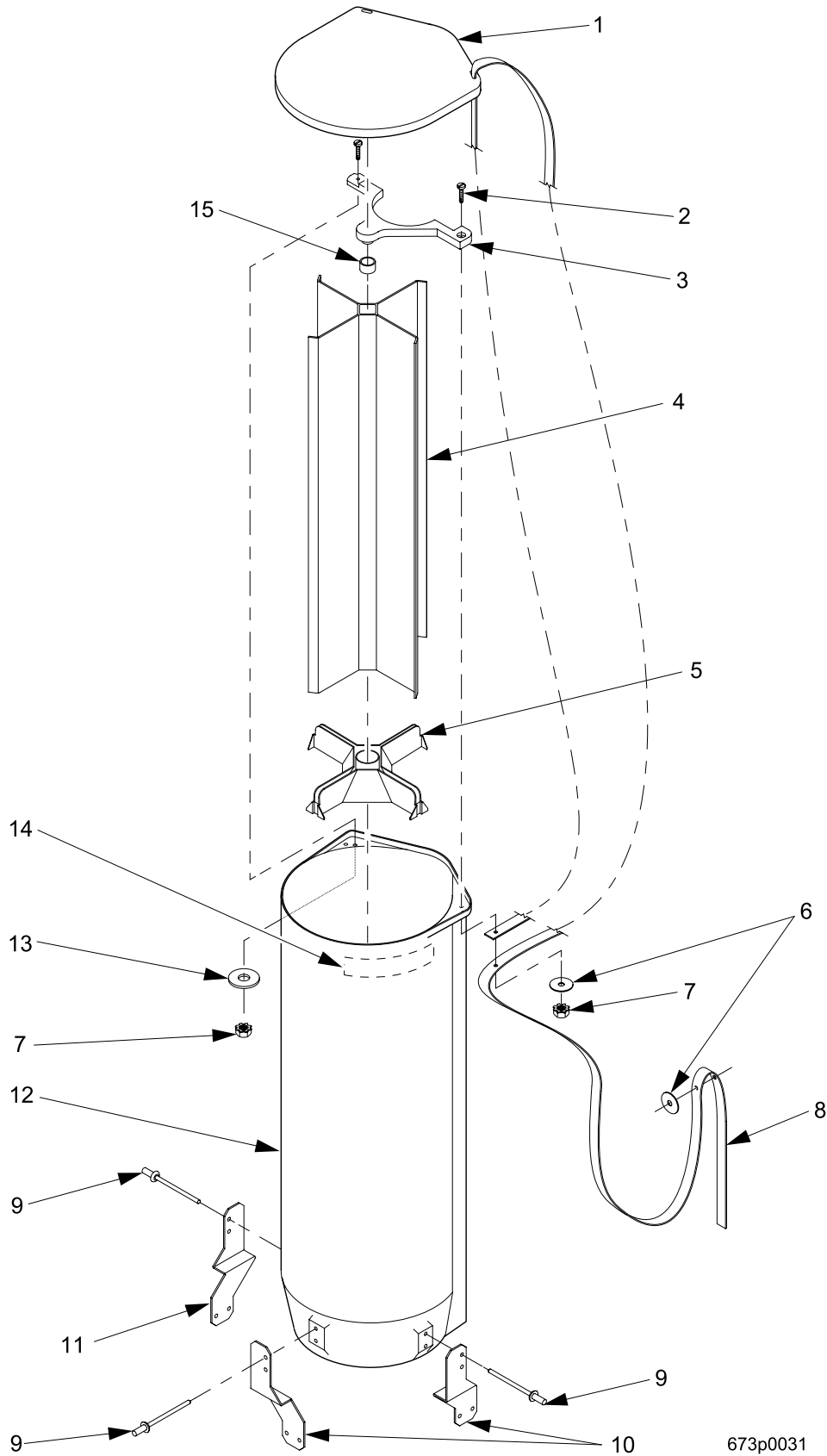


673p0029

FIGURE 16 CUP CANISTERS AND CUP MECHANISMS FOR 12 THRU 20 OZ CUPS

TABLE 16 CUP CANISTERS AND CUP MECHANISMS FOR 12 THRU 20 OZ CUPS

INDEX	PART NUMBER	DESCRIPTION	QTY
1	3283014	TURRET & CANISTER ASSEMBLY FOR COLUMN 7 - 1A	1
2	6138181	WASHER PLATE	2
3	1451097	SCREW - #8-32X.31 HEX HD.TF - BLACK	--
4	6733006	TURRET & CANISTER ASSEMBLY - 4 COLUMN - 1B	1
5	1451097	SCREW - #8-32X.31 HEX HD.TF - BLACK	--
6	6733005	MECHANISM ASSEMBLY - 4 COLUMN - 12 THRU 20 OZ CUPS	1
7	6262021	SCREW - 1/4-20 T/TITE X .50HHS	8
8	3283018	MECHANISM ASSEMBLY - 7 COLUMN - 12 THRU 20 OZ CUPS	1
9	3282006	BRACKET - CUP MECHANISM - CENTER	2
10	3282005	BRACKET - CUP MECHANISM - R & L	1
11	6732035	DOOR WELD ASSEMBLY - PAINTED BLACK	1

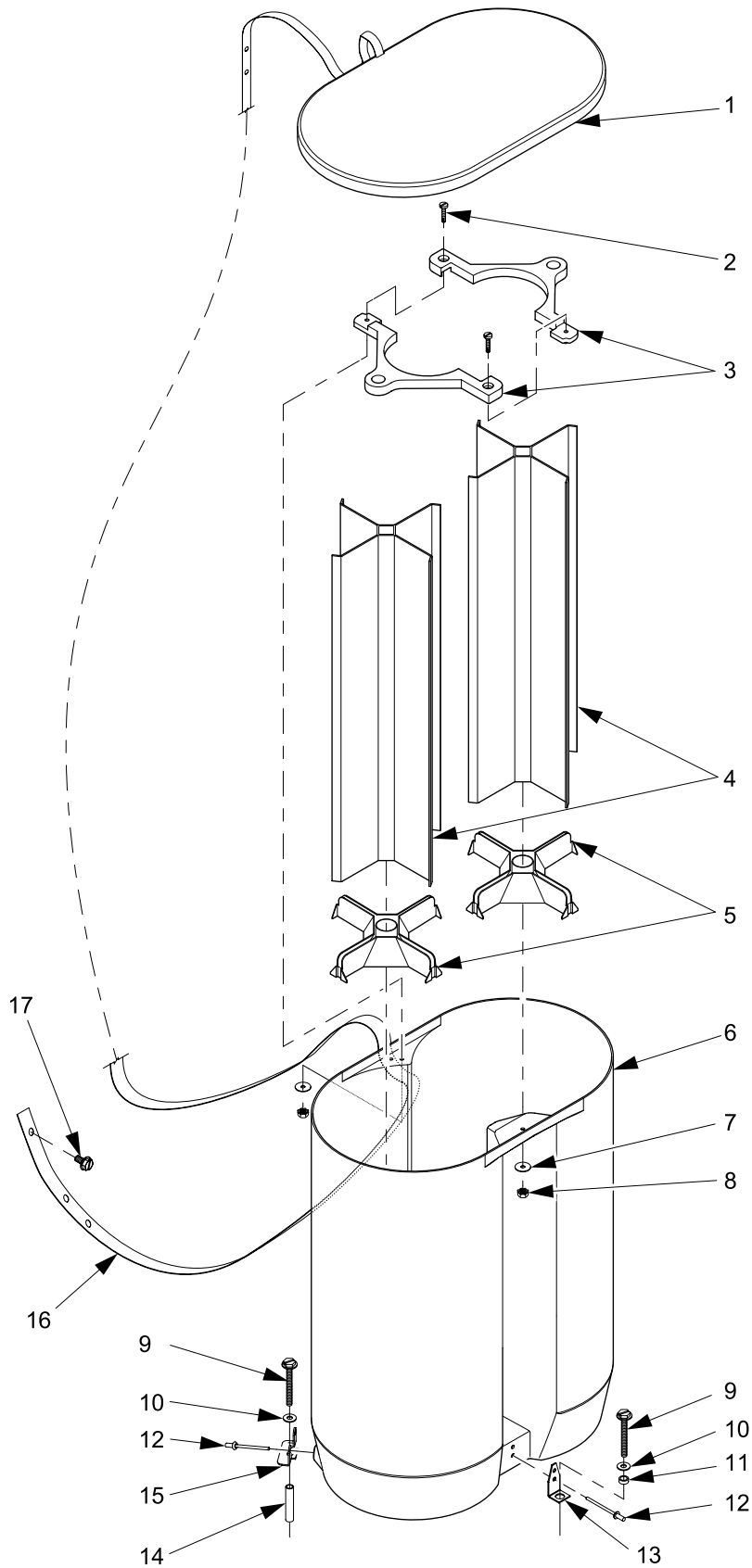


673p0031

FIGURE 17 TURRET AND CANISTER ASSEMBLY - 4 COLUMN FOR 12 THRU 20 OZ CUPS

TABLE 17 TURRET AND CANISTER ASSEMBLY - 4 COLUMN FOR 12 THRU 20 OZ CUPS

INDEX	PART NUMBER	DESCRIPTION	QTY
1	3633032	LID - CANISTER - 4 COLUMN - 12/20 OZ	1
2	3102447	8-32 X 3/4 PHS TYPE 23 T/C ZNC	2
3	3633008	BEARING - TURRET TOP	1
4	3633007	CENTER VANE - TURRET	1
5	6233048	BASE - TURRET	1
6	6138181	WASHER PLATE	2
7	9900081	NUT #8-32 KEPS ZINC PLATE	2
8	3283022	STRAP - CANISTER	1
9	6537026	ALUMINUM CAP RIVET - .187 DIA	6
10	3633010	BRACKET - CANISTER - LEFT	1
11	3633011	BRACKET - CANISTER - RIGHT	1
12	3633031	CANISTER - CUP - 4 COLUMN - 12/20 OZ	1
13	6114121	WASHER ROLLER	1
14	6233095	LABEL - FILL LINE	4
15	2302053	SPACER - CUP	4



673p0032

FIGURE 18 TURRET AND CANISTER ASSEMBLY - 7 COLUMN FOR 12 THRU 20 OZ CUPS

TABLE 18 TURRET AND CANISTER ASSEMBLY - 7 COLUMN FOR 12 THRU 20 OZ CUPS

INDEX	PART NUMBER	DESCRIPTION	QTY
1	3283032	LID - CANISTER	1
2	3102447	8-32 X 3/4 PHS TYPE 23 T/C ZNC	4
3	3633008	BEARING - TURRET TOP	2
4	3283069	VANE - CANISTER - LARGE	2
5	6233048	BASE - TURRET	2
6	3283031	CANISTER - LARGE CUP - 7 COLUMN	1
7	6138181	WASHER PLATE	4
8	9900081	NUT #8-32 KEPS ZINC PLATE	4
9	6233077	BOLT - #1/4X20X2.38 HHS	3
10	6131066	WASHER 5/8X.265X.048 ZINC/YEL	8
11	3283004	SPACER - CANISTER - .438IDX.62ODX	2
12	6537026	ALUMINUM CAP RIVET - .187 DIA	6
13	3283002	BRACKET - CANISTER - CENTER	2
14	6263002	SPACER - .277ID X .375OD X 1.94	2
15	3283013	BRACKET - CANISTER - R & L	2
16	3283022	STRAP - CANISTER	1
17	1451097	SCREW - #8-32X.31 HEX HD.TF - BLACK	--

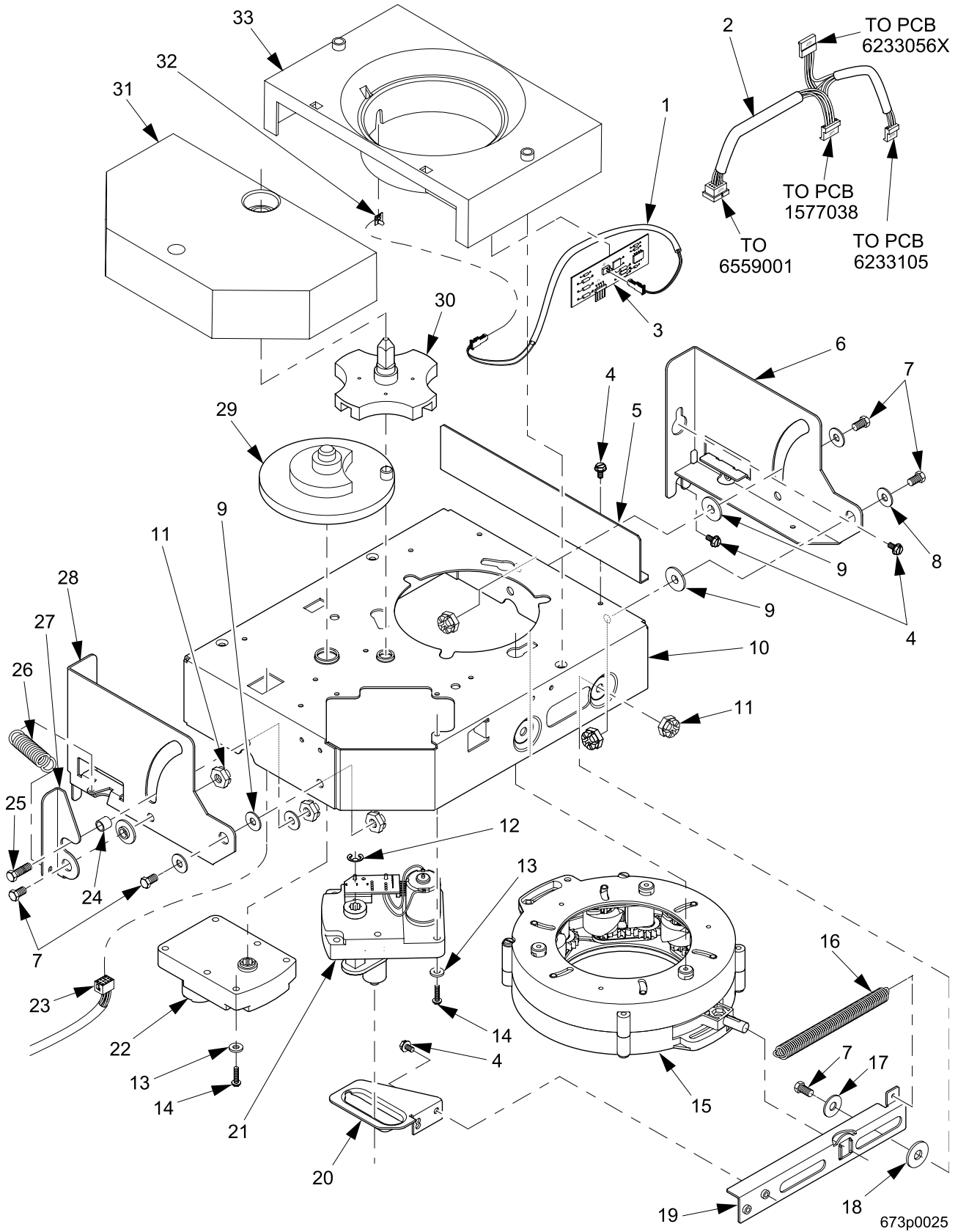
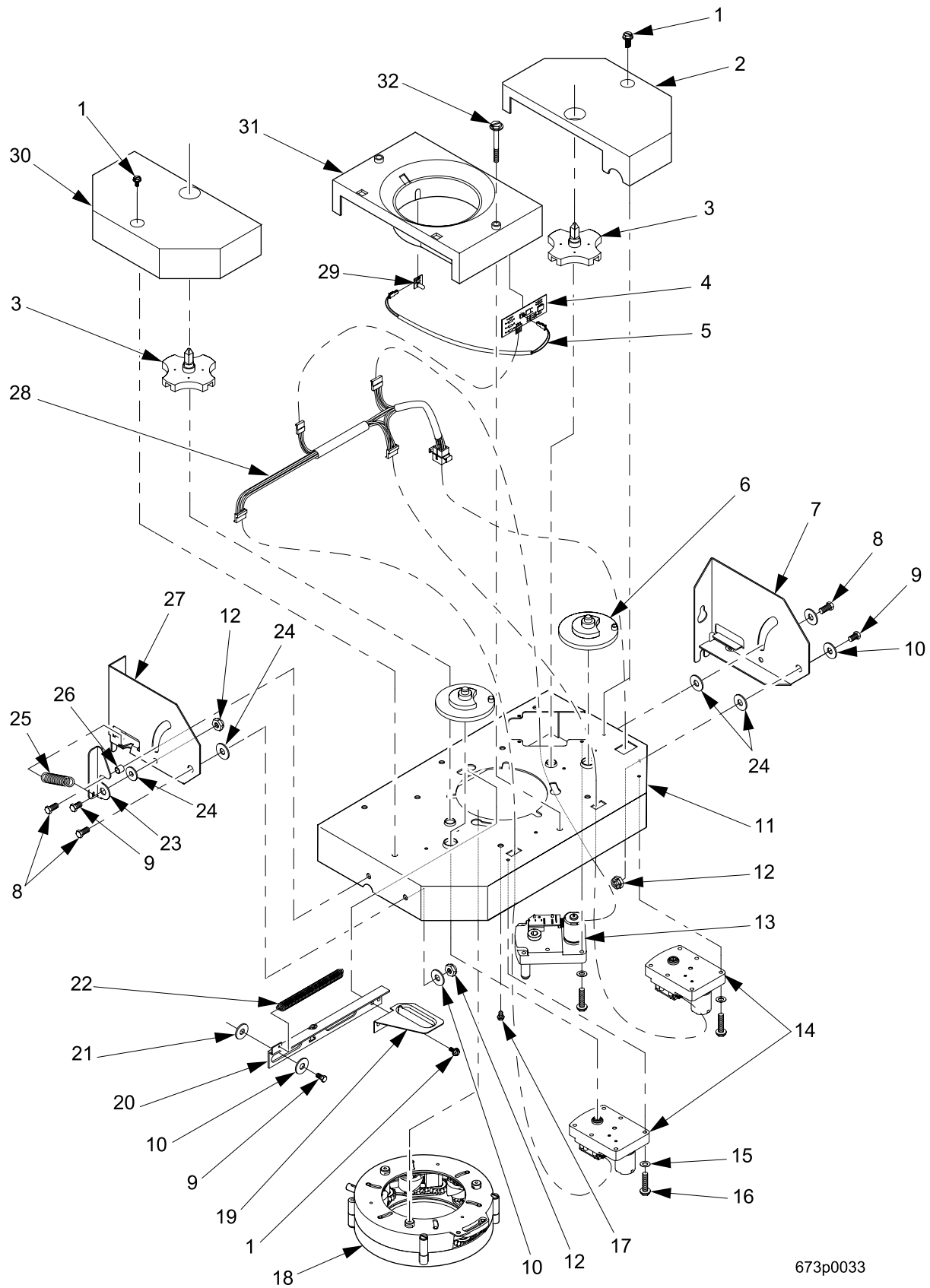


FIGURE 19 CUP MECHANISM ASSEMBLY - 4 COLUMN FOR 12 THRU 20 OZ CUPS

TABLE 19 CUP MECHANISM ASSEMBLY - 4 COLUMN FOR 12 THRU 20 OZ CUPS

INDEX	PART NUMBER	DESCRIPTION	QTY
--	6733005	MECHANISM ASSEMBLY - 4 COLUMN - 12 THRU 20 OZ CUPS	
1	6233106	HARNESS - CUP DETECT/LED JUMP	1
2	3639011	HARNESS - CUP MECHANISM - TWIN	1
3	6233105	PCB ASSEMBLY - DETECTOR CUP SENSOR	1
4	1451097	SCREW - #8-32X.31 HEX HD.TF - BLACK	2
5	3633015	BRACKET - BASE COLUMN	1
6	6733003	BRACKET - MECHANISM MOUNTING - RIGHT	1
7	6233021	SCREW - 1/4 X 20 X .5 HEX HD	5
8	6404034	WASHER - .687 O.D. X .265 I.D. X	3
9	6233028	BUSHING	4
10	6733001	BASE - CUP MECHANISM	1
11	4041241	NUT - 1/4-20 - SELF LOCKING	2
12	9900113	RETAINING RING-E TYPE - .218	1
13	9900121	WASHER STEEL 7/16 X.203 X.032	2
14	1457027	SCREW - #8-32 X .81 HEX HD.-T/F	2
15	6333008	CUP RING ASSEMBLY - UNIVERSAL	2
16	4733035	SPRING - CUP RELEASE ARM	1
17	6404034	WASHER - .687 O.D. X .265 I.D. X	3
18	9900034	WASHER STEEL 3/8 X.170 X.032	6
19	3283014	TURRET ASSEMBLY - 1A	1
20	3283058	CAM - ACTUATOR	2
21	6233056	MOTOR & CRANK ARM ASSEMBLY	1
22	1577038	MOTOR & PC BOARD ASSEMBLY	1
23	6559001	HARNESS - DOOR TO DOOR PCB - DC	1
24	6233062	SPACER - .260IDX.34ODX.312	1
25	1141054	SCREW - 1/4-20 X 3/4 HEX HD ZP	1
26	2301057	SPRING ELEVATOR STOP	1
27	6233037	LATCH	1
28	6733002	BRACKET - MECHANISM MOUNTING - LEFT	1
29	6233013	DRIVER - GENEVA	2
30	6233014	INDEX PLATE - GENEVA	2
31	6233010	COVER - END	2
32	6233107	PCB ASSEMBLY - LED - CUP SENSOR	1
33	6233012	COVER - CENTER	1

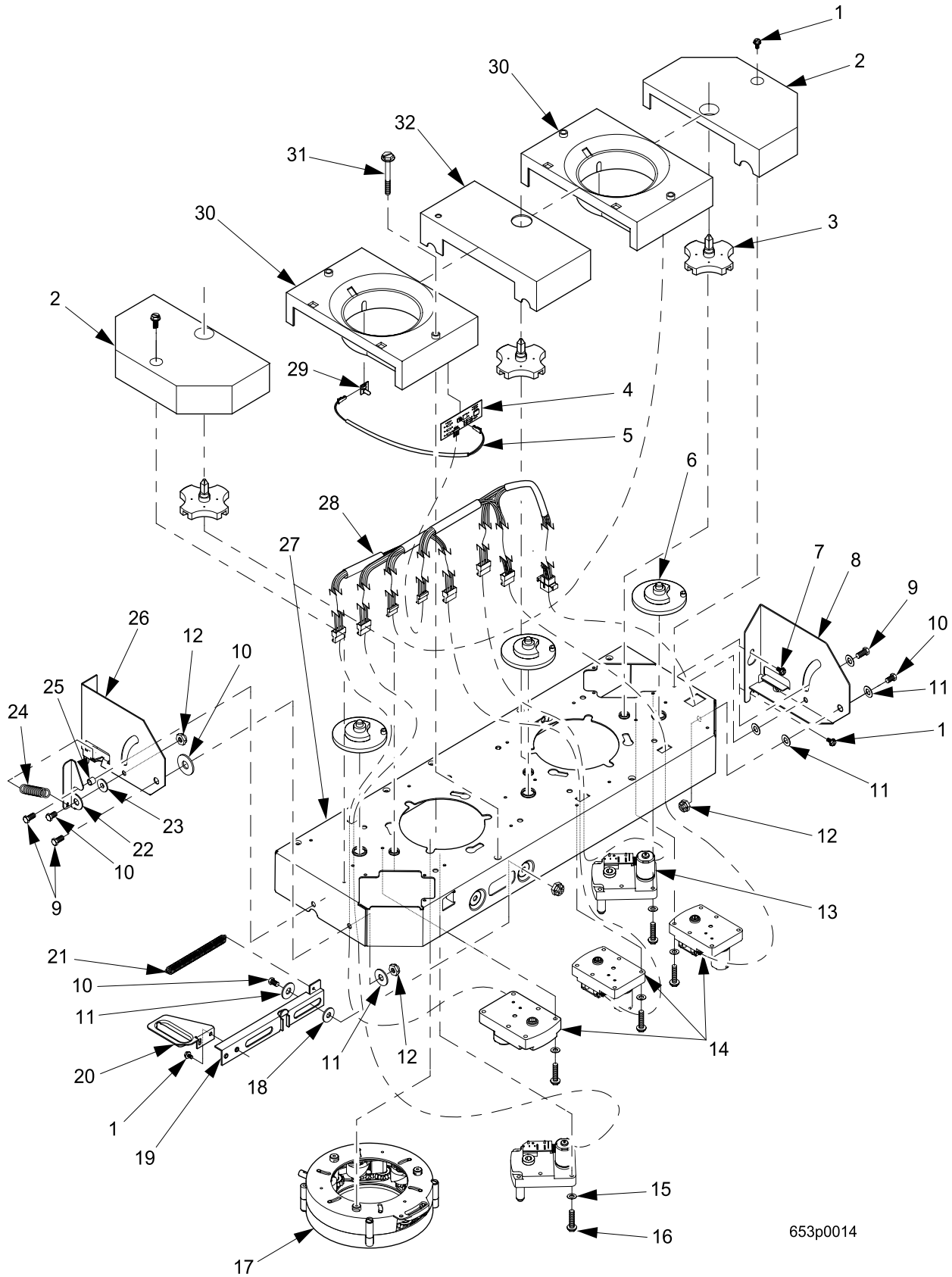


673p0033

FIGURE 20 CUP MECHANISM ASSEMBLY - 7 COLUMN FOR 12 THRU 20 OZ CUPS

TABLE 20 CUP MECHANISM ASSEMBLY - 7 COLUMN FOR 12 THRU 20 OZ CUPS

INDEX	PART NUMBER	DESCRIPTION	QTY
1	1451097	SCREW - #8-32X.31 HEX HD.TF - BLACK	--
2	6233010	COVER - END	2
3	6233014	INDEX PLATE - GENEVA	2
4	6233105	PCB ASSEMBLY - DETECTOR CUP SENSOR	1
5	6233106	HARNESS - CUP DETECT/LED JUMP	1
6	6233013	DRIVER - GENEVA	2
7	6233019	BRACKET - MECHANISM MOUNTING - LEFT	1
8	1141054	SCREW - 1/4-20 X 3/4 HEX HD ZP	--
9	6233021	SCREW - 1/4 X 20 X .5 HEX HD	5
10	6404034	WASHER - .687 O.D. X .265 I.D. X	3
11	6263003	PLATE - BASE - 7 COLUMN	1
12	4041241	NUT - 1/4-20-SELF LOCKING	2
13	6233056	MOTOR & CRANK ARM ASSEMBLY	1
14	1577038	MOTOR & PC BOARD ASSEMBLY	10
15	9900121	WASHER STEEL 7/16 X.203 X.032	--
16	1457027	SCREW - #8-32 X .81 HEX HD.-T/F	2
17	6233065	SCREW - #8-16X.38 PLAST.HHS	4
18	6333008	CUP RING ASSEMBLY - UNIVERSAL	2
19	3283058	CAM - ACTUATOR	2
20	6233032	ACTUATOR - CUP RING	1
21	9900034	WASHER STEEL 3/8 X.170 X.032	--
22	4733035	SPRING - CUP RELEASE ARM	1
23	6233037	LATCH	1
24	6233028	BUSHING	4
25	2301057	SPRING ELEVATOR STOP	1
26	6233062	SPACER - .260IDX.34ODX.312	1
27	6233018	BRACKET - MECHANISM MOUNTING - RIGHT	1
28	6269013	HARNESS - CUP MECHANISM	1
29	6233107	PCB ASSEMBLY - LED - CUP SENSOR	1
30	6233010	COVER - END	2
31	6233012	COVER - CENTER	1
32	6233077	BOLT - #1/4X20X2.38 HHS	3



653p0014

FIGURE 21 MECHANISM ASSEMBLY - 11 COLUMN FOR 7 THRU 12 OZ CUPS

TABLE 21 MECHANISM ASSEMBLY - 11 COLUMN FOR 7 THRU 12 OZ CUPS

INDEX	PART NUMBER	DESCRIPTION	QTY
-	6233101	MECHANISM ASSEMBLY - 11 COLUMN	REF
1	1451097	SCREW - #8-32X.31 HEX HD.TF - BLACK	12
2	6233010	COVER - END	2
3	6233014	INDEX PLATE - GENEVA	3
4	6233105	PCB ASSEMBLY - DETECTOR CUP SENSOR	2
5	6233106	HARNESS - CUP DETECTOR / LED JUMP	2
6	6233013	DRIVER - GENEVA	3
7	6233065	SCREW - #8 - 16X.38 PLAST.HHS	8
8	6233019	BRACKET MECHANISM MOUNTING - LEFT	1
9	1141054	SCREW - 1/4-20 X 3/4 HEX HD ZP	1
10	6233021	SCREW - 1/4 X 20 X .5 HEX HD	7
11	6404034	WASHER - .687 O.D. X .265 I.D.	5
12	4041241	NUT-1/4-20 - SELF LOCKING 1	1
13	6233056	MOTOR & CRANK ARM ASSY	2
14	1577038	MOTOR & PC BOARD ASSEMBLY	3
15	9900121	WASHER STEEL 7/16 X.203 X.032	2
16	1457027	SCREW-#8-32 X .81 HEX HD.-T/F	15
17	6333008	CUP RING ASSEMBLY - UNIVERSAL	2
18	9900034	WASHER STEEL 3/8 X.170 X.032	15
19	6233032	ACTUATOR - CUP RING	2
20	3283058	CAM - ACTUATOR	2
21	4733035	SPRING - CUP RELEASE ARM	2
22	6233037	LATCH	1
23	6233028	BUSHING	1
24	2301057	SPRING ELEVATOR STOP	1
25	6233062	SPACER - .260IDX.34ODX.312	1
26	6233018	BRACKET - MECHANISM MOUNTING - RIGHT	1
27	6233016	BASE PLATE - 11 COLUMN	1
28	6239048	HARNESS - CUP MECHANISM	1
29	6233107	PCB ASSEMBLY - LED - CUP SENSOR	2
30	6233012	COVER - CENTER	2
31	6233077	BOLT-#1/4X20X2.38 HHS	3
32	6233082	COVER - CENTER - MOTOR	1

TABLE 22 CUP RING ASSEMBLY

INDEX	PART NUMBER	DESCRIPTION	QTY
-	6333008	CUP RING ASSEMBLY - UNIVERSAL	-
1	3143011	NUT #8-32 SELF LOCKING	1
2	6332052	SCREW - #8-16 X 1.25 PHS - PLASTITE	4
3	6333004	HOUSING - CUP RING	1
4	6114121	WASHER ROLLER	1
5	6333011	ADJUSTER RING - INTERNAL	1
6	3143009	SCREW #8-32 X .50 PHS W/LW	1
7	6333007	CAM & GEAR ASSEMBLY	6
8	6333006	RETAINER - CAM	6
9	6333012	CAM - CUP - UNIVERSAL	6
10	6233126	GEAR - 18 TOOTH	6
11	6233127	GEAR - 10 TOOTH	6
12	6333005	ARM - CAM	6
13	6234628	WASHER - PAPER MECHANISM	6
14	6333010	GEAR RING - INTERNAL	1
15	6333009	HOUSING - CUP RING	1

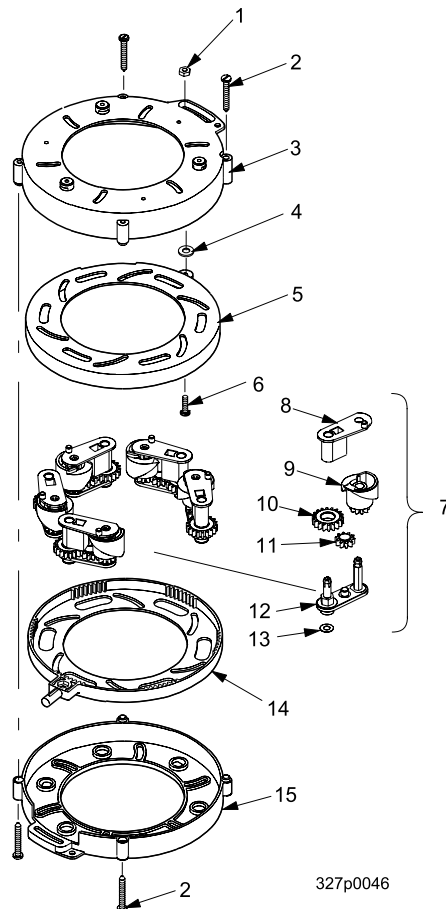


FIGURE 22 CUP RING ASSEMBLY

TABLE 23 ACTUATOR ASSEMBLY - CUP RING

INDEX	PART NUMBER	DESCRIPTION	QTY
--	6233031	ACTUATOR ASSEMBLY - CUP RING	REF
1	1451097	SCREW - #8-32 X .31 HEX HD T.F. - BLACK	2
2	6233040	RAMP - ACTUATOR	1
3	6233009	CAM - ACTUATOR	1
4	6233032	ACTUATOR - CUP RING	1

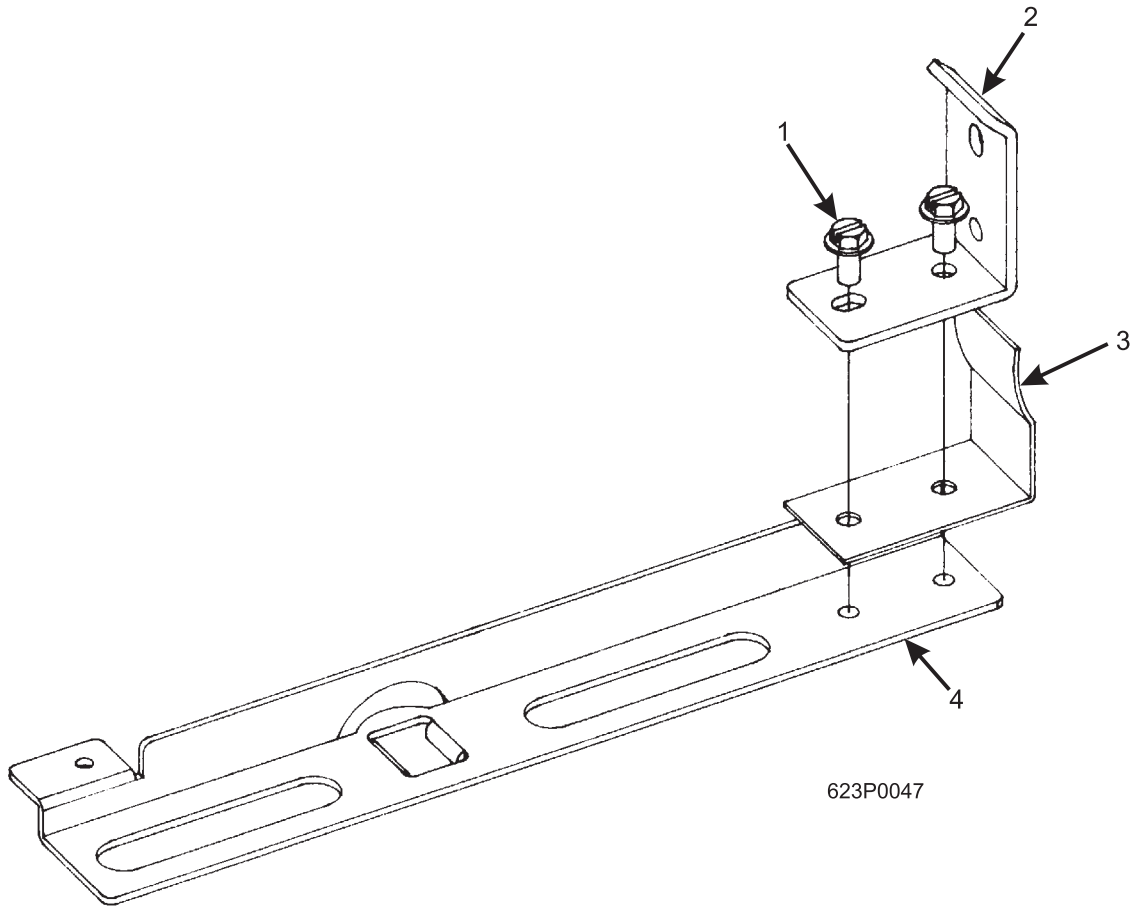


FIGURE 23 ACTUATOR ASSEMBLY - CUP RING

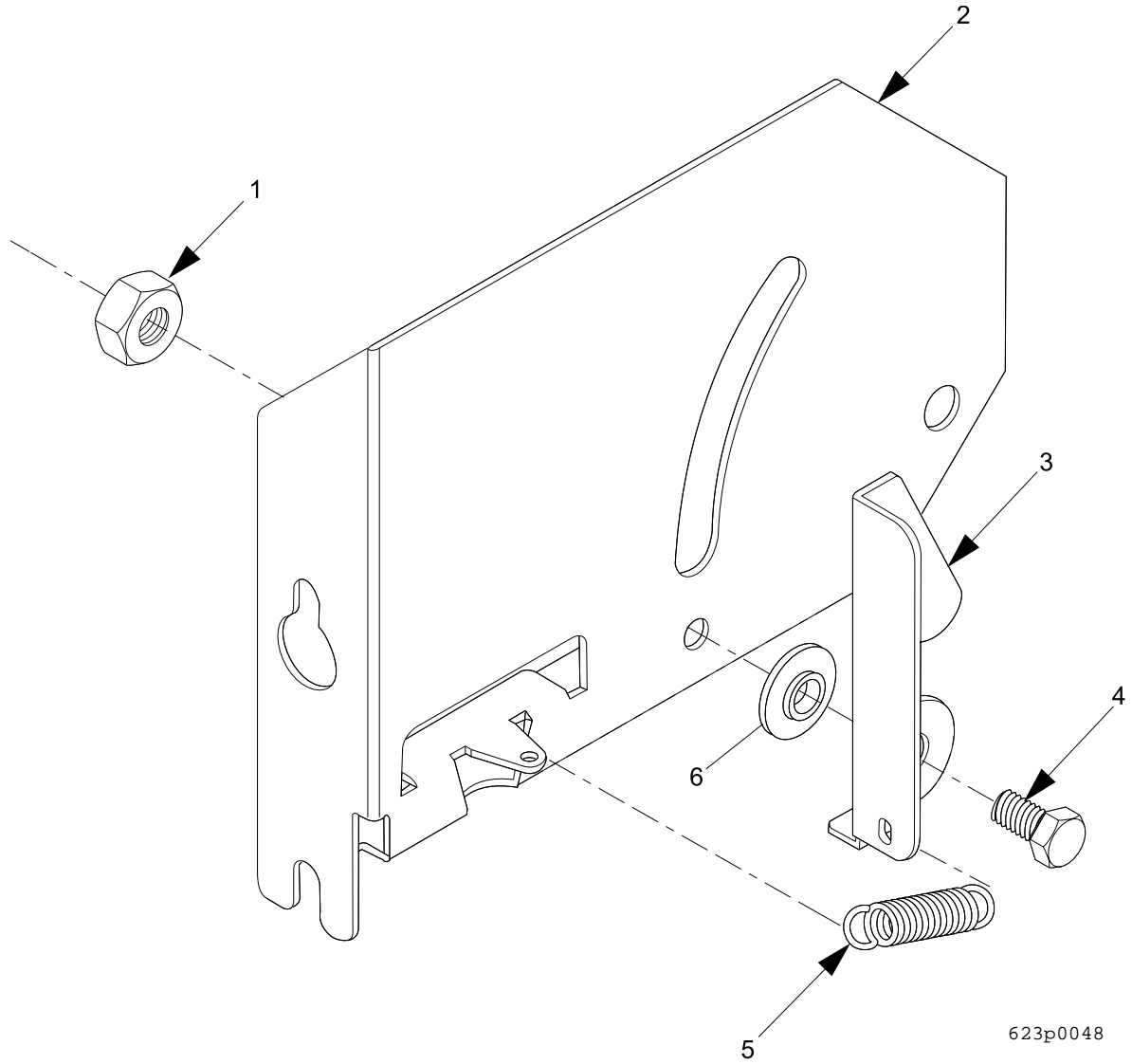
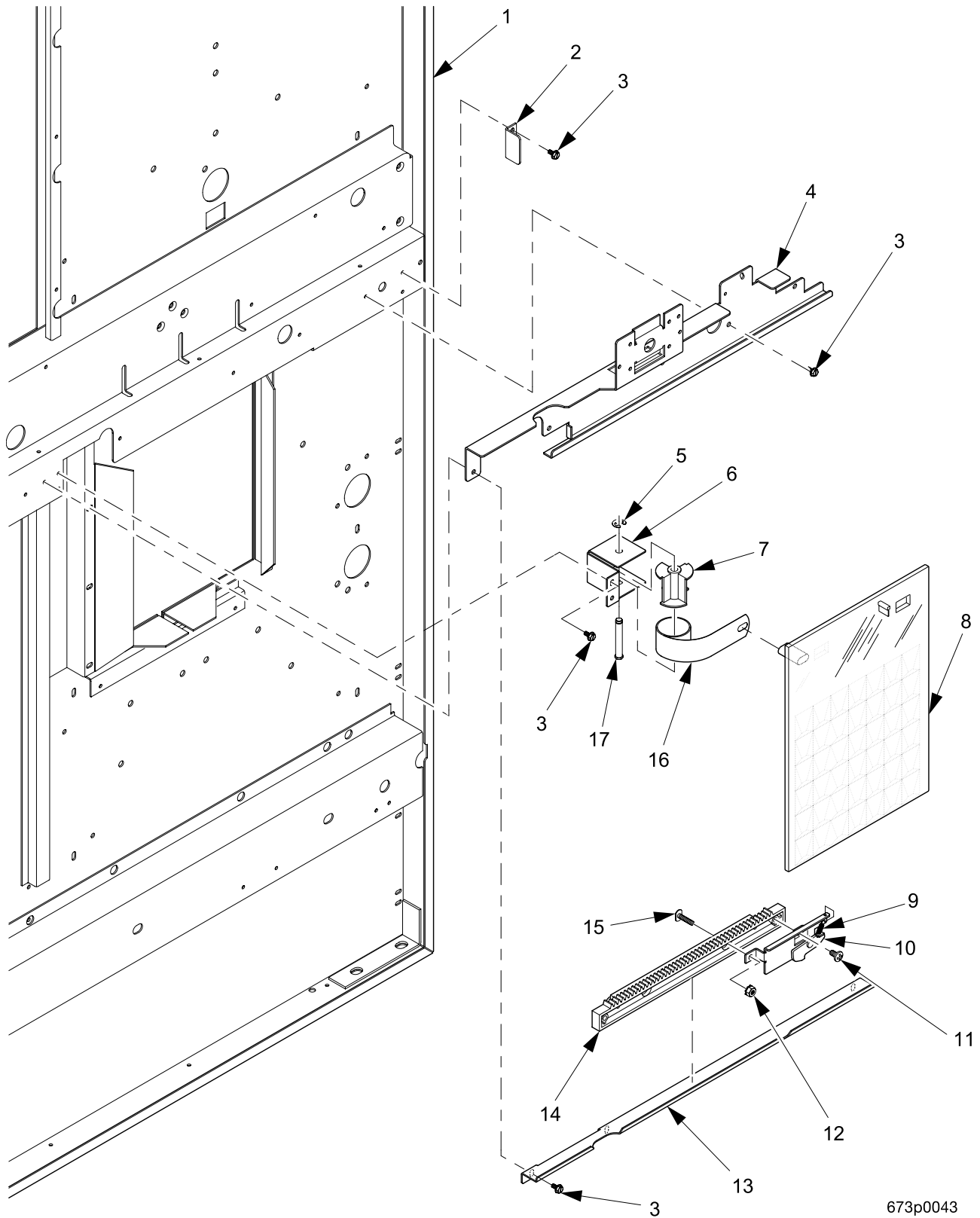


FIGURE 24 MOUNTING BRACKET ASSEMBLY - RIGHT

TABLE 24 MOUNTING BRACKET ASSEMBLY - RIGHT

INDEX	PART NUMBER	DESCRIPTION	QTY
--	6233057	MOUNTING BRACKET ASSEMBLY - RIGHT	REF
1	4041241	NUT - 1/4 20 SELF LOCKING	1
2	6233018	BRACKET - MECH MOUNTING - RIGHT	1
3	6233037	LATCH	1
4	6233021	SCREW -1 1/4 X 20 X .5 HEX HD	1
5	2301057	SPRING ELEVATOR STOP	1
6	6233028	BUSHING	1



673p0043

FIGURE 25 MANUAL DOOR

TABLE 25 MANUAL DOOR

INDEX	PART NUMBER	DESCRIPTION	QTY
1	6732035	DOOR WELD ASSEMBLY - PAINTED BLACK	1
2	6232096	STOP - DOOR VEND	1
3	1451097	SCREW - #8-32X.31 HEX HD.TF - BLACK	9
4	6732059	BRACKET - AUTO DOOR	1
5	9900425	RETAINING RING REINF E TYP .250	1
6	6232089	HOUSING - SPRING	1
7	6232084	SPOOL - SPRING	1
8	6232065	DOOR - VEND	1
9	3108141	SPRING - COVER - AIR GAP	1
10	6732063	COUPLING PLATE ASSEMBLY	1
11	6232317	SCREW - #10-14X.38 PH T/F	1
12	9900081	NUT #8-32 KEPS ZINC PLATE	1
13	6732060	TRACK - GEAR RACK	1
14	6234106	RACK - BREWER	1
15	2222031	TEE BOLT - TRIM	1
16	6232091	SPRING - VEND DOOR	1
17	6232085	SHAFT - SPOOL	1

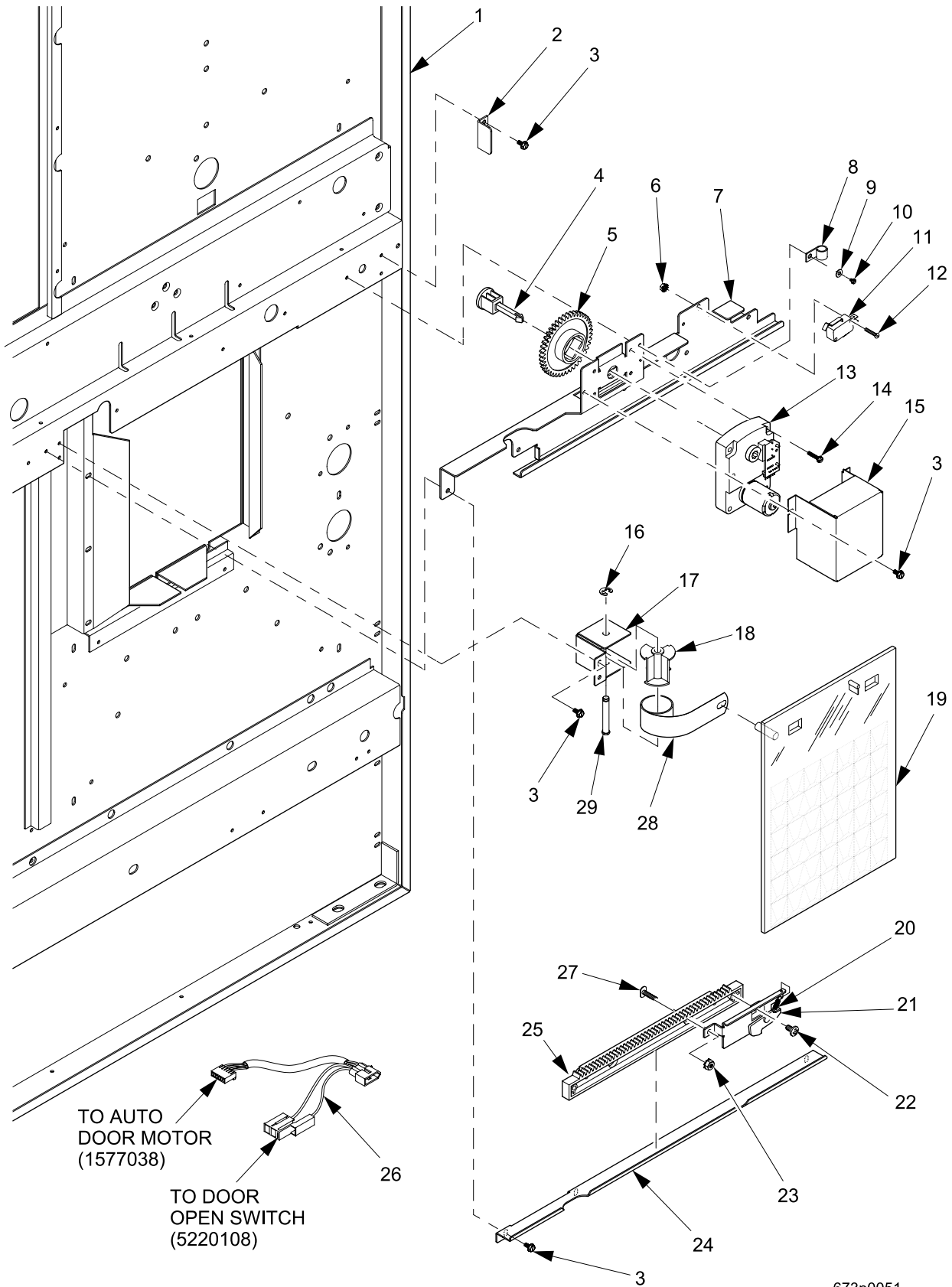


FIGURE 26 AUTO DOOR

673p0051

TABLE 26 AUTO DOOR

INDEX	PART NUMBER	DESCRIPTION	QTY
1	6732035	DOOR WELD ASSEMBLY - PAINTED BLACK	1
2	6232096	STOP - DOOR VEND	1
3	1451097	SCREW - #8-32X.31 HEX HD.TF - BLACK	12
4	1477113	COUPLING - SPIRAL	1
5	1477020	GEAR - TRAY	1
6	1217159	4-40 KEPS W/EXT L/WAS H ZP	2
7	6732059	BRACKET - AUTO DOOR	1
8	1452139	RETAINER - HARNESS	2
9	9900034	WASHER STEEL 3/8 X.170 X.032	1
10	9900157	SCREW #8-32X7/32 HWHD TY23	1
11	5220108	SWITCH	3
12	1217160	4-40X5/8 RHS M SCREW Z/Y	2
13	1577038	MOTOR & PC BOARD ASSEMBLY	10
14	1457027	SCREW - #8-32 X .81 HEX HD.-T/F	2
15	6232263	COVER - MOTOR - VEND DOOR	1
16	9900425	RETAINING RING REINF E TYP.250	1
17	6232089	HOUSING - SPRING	2
18	6232084	SPOOL - SPRING	1
19	6232065	DOOR - VEND	1
20	3108141	SPRING - COVER - AIR GAP	1
21	6732063	COUPLING - PLATE ASSEMBLY	1
22	6232317	SCREW - #10-14X.38 PH T/F	1
23	9900081	NUT #8-32 KEPS ZINC PLATE	1
24	6732060	TRACK - GEAR RACK	1
25	6234106	RACK - BREWER	1
26	6239026	HARNESS - AUTO DOOR	1
27	2222031	TEE BOLT - TRIM	1
28	6232091	SPRING - VEND DOOR	1
29	6232085	SHAFT - SPOOL	1

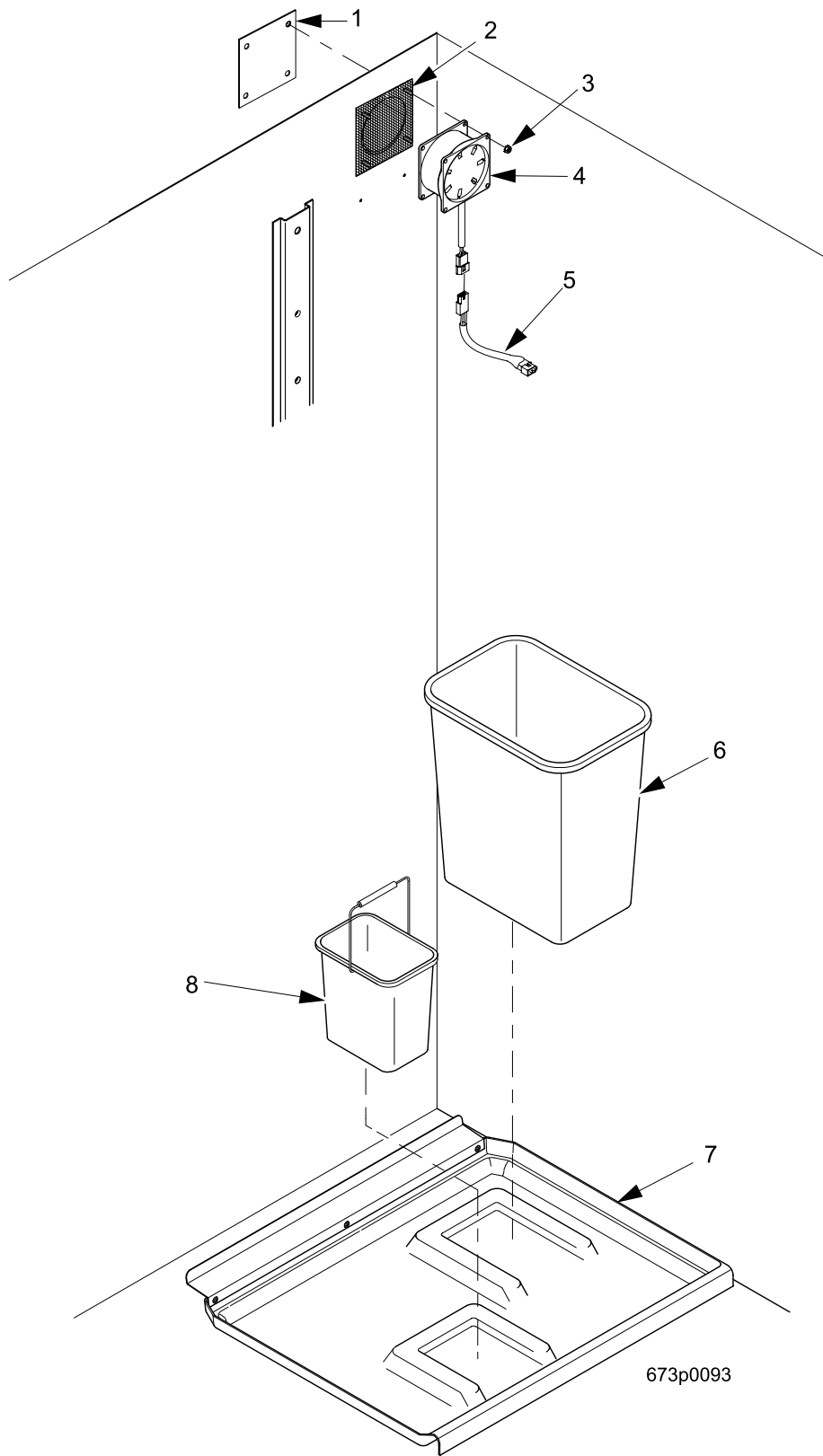


FIGURE 27 CABINET MISCELLANEOUS PARTS

TABLE 27 CABINET MISCELLANEOUS PARTS

INDEX	PART NUMBER	DESCRIPTION	QTY
1	6231529	COVER - EXHAUST FAN	--
2	6231528	SCREEN - EXHAUST FAN	1
3	9900078	NUT #6-32 KEPS ZINC PLATE	--
4	6231526	EXHAUST FAN	1
5	6339000	HARNESS - INTERLOCK TO EXHAUST FAN	1
6	6231475	BUCKET - GROUNDS	1
7	6731046	LINER ASSEMBLY - FLOOR	1
8	6201025	WASTE BUCKET	1

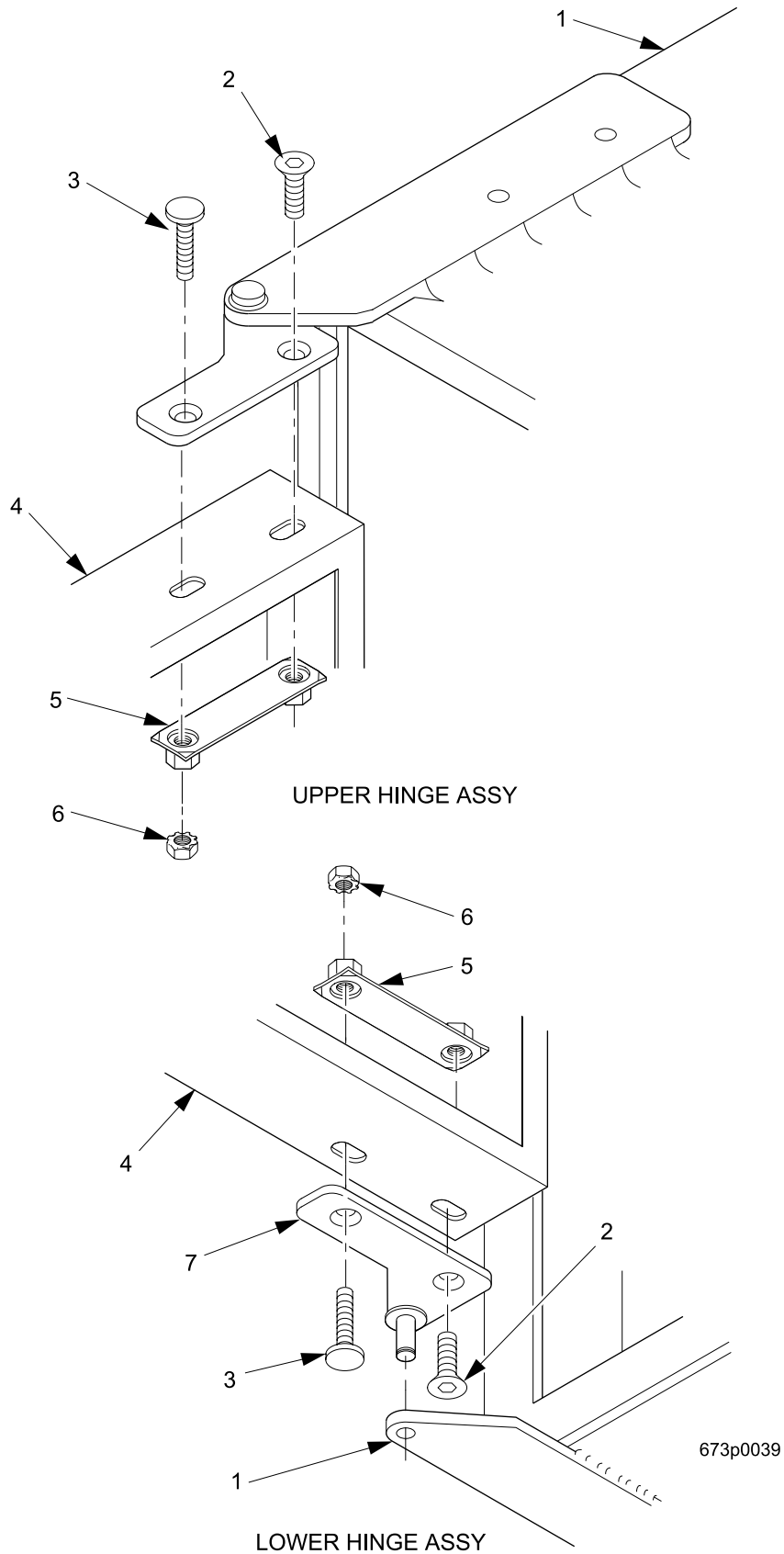


FIGURE 28 DOOR HINGE ASSEMBLY - UPPER AND LOWER

TABLE 28 DOOR HINGE ASSEMBLY - UPPER AND LOWER

INDEX	PART NUMBER	DESCRIPTION	QTY
1	6731037	CABINET ASSEMBLY - N.V. BLACK NOTE: (UPPER HINGE ASSEMBLY ONLY)	1
2	6232036	SCREW - 5/16-18X.75 FLT.HDSOCKET	2
3	6232208	WELD SCREW - #1/4-20 X 1"LG	2
4	6732035	DOOR WELD ASSEMBLY - PAINTED BLACK	1
5	6232028	PLATE ASSEMBLY - HINGE MOUNTING	2
6	1211105	1/4-20 KEPS NUT EXT LW ZP	2
7	6232031	HINGE ASSEMBLY - DOOR - LOWER NOTE: (LOWER HINGE ASSEMBLY ONLY)	1

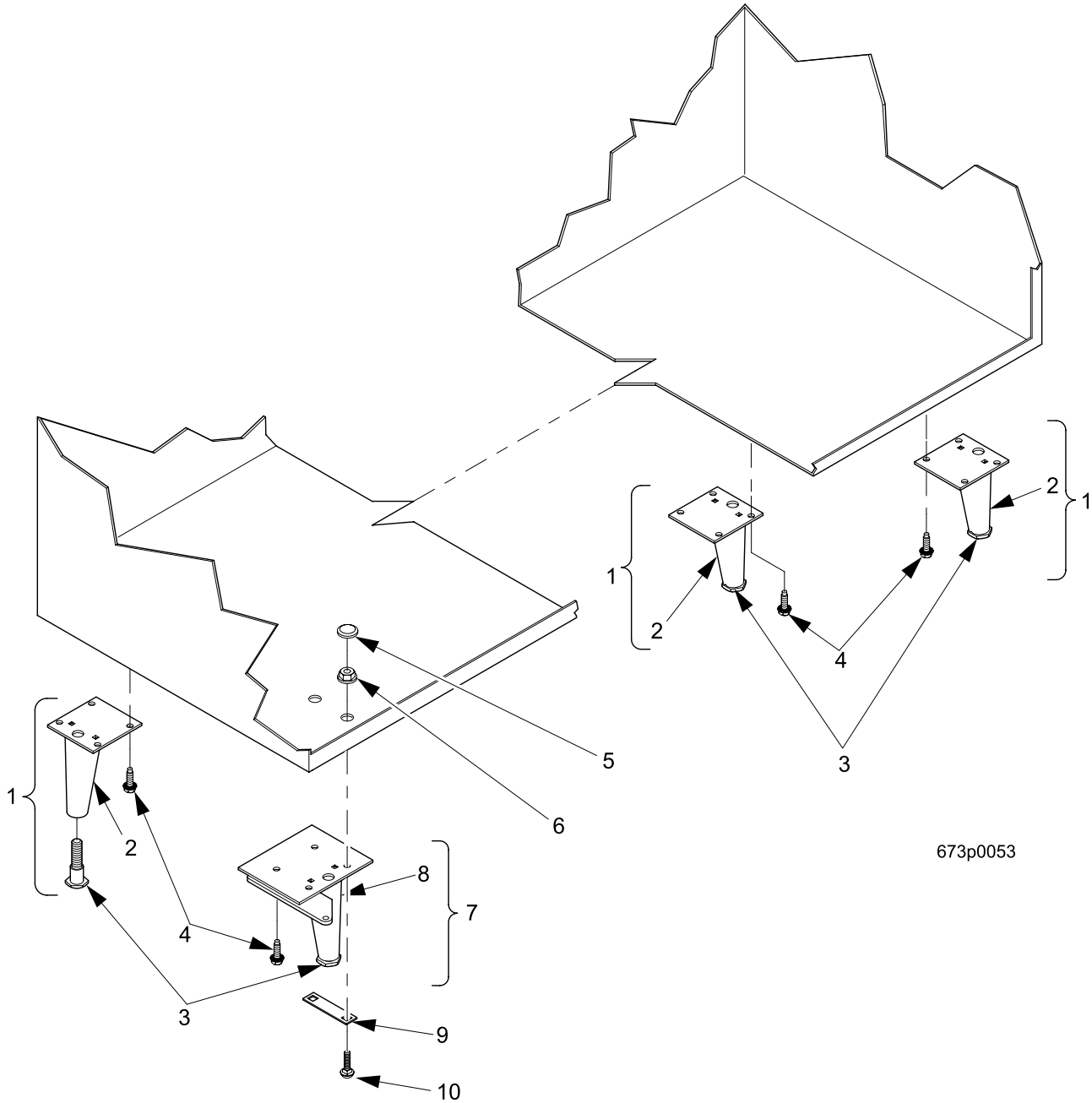
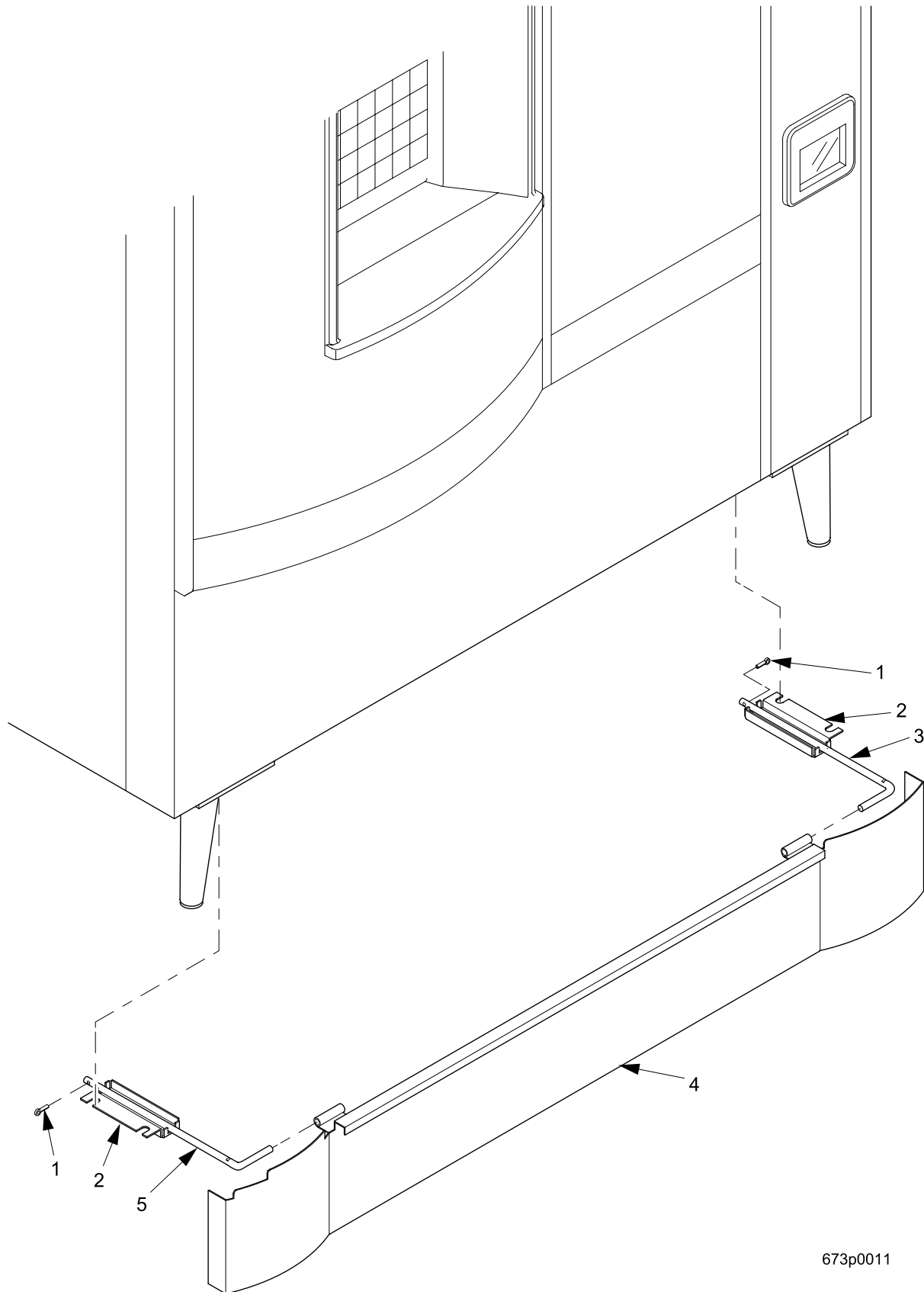


FIGURE 29 LEG ASSEMBLY

TABLE 29 LEG ASSEMBLY

INDEX	PART NUMBER	DESCRIPTION	QTY
1	1471237	LEG & LEVELER ASSEMBLY - CABINET	3
2	4311068	LEG ASSEMBLY - CABINET - WELD	1
3	1471098	LEVELER - CABINET	1
4	9900218	SCREW - #5/16 X 1 W/LOCKING RIN	--
5	6231034	PLUG - HOLE	2
6	1172021	NUT - 1/4-20 WHIZ - LOCK	--
7	6231163	LEG, HINGE & LEVELER ASSEMBLY	1
8	1571115	LEG & HINGE ASSEMBLY - WELD	1
9	6231203	PLATE - HINGE LEG BOLT	1
10	1211112	TRAY BOLT	2

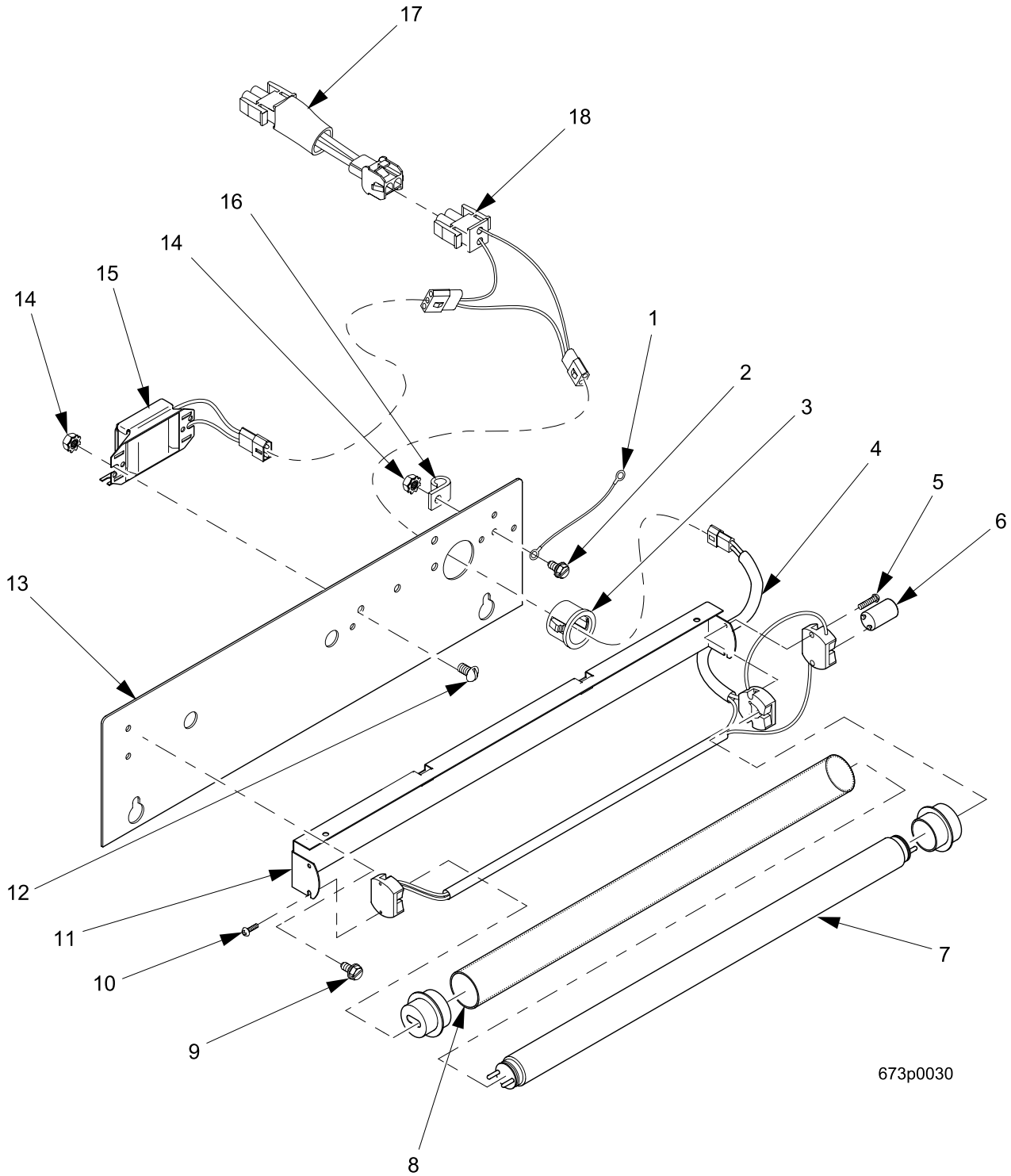


673p0011

FIGURE 30 BASE PLATE AND ASSEMBLY - (MILLENNIA)

TABLE 30 BASE PLATE AND ASSEMBLY - (MILLENNIA)

INDEX	PART NUMBER	DESCRIPTION	QTY
1	9900098	COTTER PIN 3/32 X 3/4 IN	--
2	6231087	BRACKET - BASE PLATE	2
3	1411194	SLIDE - BASE PLATE - R.H. (LOCK SIDE)	1
4	1571161	BASE PLATE ASSEMBLY - 38" - MILLENNIA	1
5	1411195	SLIDE - BASE PLATE - L.H. - (HINGE SIDE)	1

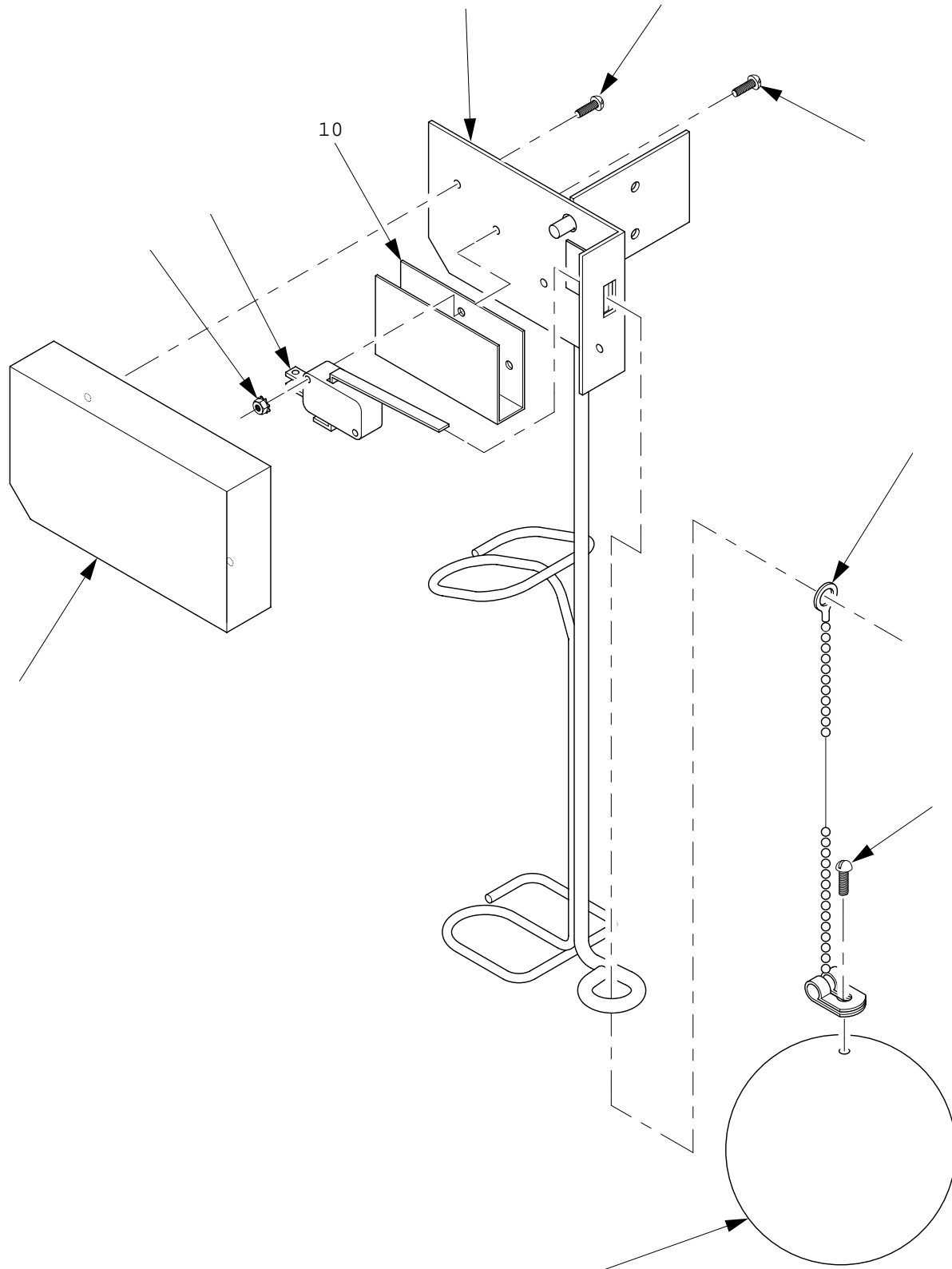


673p0030

FIGURE 31 CABINET SERVICE - LIGHT BRACKET ASSEMBLY

TABLE 31 CABINET SERVICE - LIGHT BRACKET ASSEMBLY

INDEX	PART NUMBER	DESCRIPTION	QTY
1	9984094	WIRE - GROUND - 14"	1
2	3157060	SCREW - #8-32 X .31 HEX W/ HD. S	3
3	3106154	BUSHING #SB875-11	1
4	2346016	HARNESS - FLUORESCENT LIGHT	1
5	3107171	SCREW - #4-36 X 5/8 RHS	2
6	2222095	STARTER FS-2, FLUORSCNT LAMP	1
7	2222096	FLUORESCENT LAMP #F15T8CW, KB	1
8	6232305	SAFETY SLEEVE & END CAP ASSEMBLY	1
9	3157068	SCREW - #8-32 X.31 HXHD T/F 3/8W	1
10	9900219	SCREW - #4-36 X .437 RH PHILLIPS	--
11	2272036	BRACKET LOWER LIGHT	1
12	1170206	SCREW - #8-32X3/8 PHILLIPS TRUSS	--
13	6231559	BRACKET - SERVICE LIGHT	1
14	9900081	NUT #8-32 KEPS ZINC PLATE	--
15	3151058	BALLAST ASSEMBLY - 14/20 WATT	1
16	1452139	RETAINER - HARNESS	1
17	1679005	FLOURESCENT LIGHT FILTER - 120/230V	1
18	3156032	JUMPER - FILTER AND FLUORESCENT LIGHT	1



630p0041

FIGURE 32 OVERFLOW SWITCH ASSEMBLY

TABLE 32 OVERFLOW SWITCH ASSEMBLY

INDEX	PART NUMBER	DESCRIPTION	QTY
1	6231507	BRACKET ASSEMBLY - OVERFLOW SW.	1
2	9900012	SCREW #6-32 X 1/4 RHS S/T	--
3	1217160	4-40X5/8 RHS M SCREW Z/Y	--
4	6151131	CHAIN - OVERFLOW SWITCH	1
5	4047054	SCREW - #8-18X1/2 RHS T/	--
6	3116127	FLOAT - OVERFLOW SWITCH	1
7	6231135	COVER - OVERFLOW SWITCH	1
8	1217159	4-40 KEPS W/EXT L/WAS H ZP	--
9	9984636	SWITCH - LEVER V7-7B17D8-048	1
10	3121150	INSULATION - OVERFLOW SWITCH	1

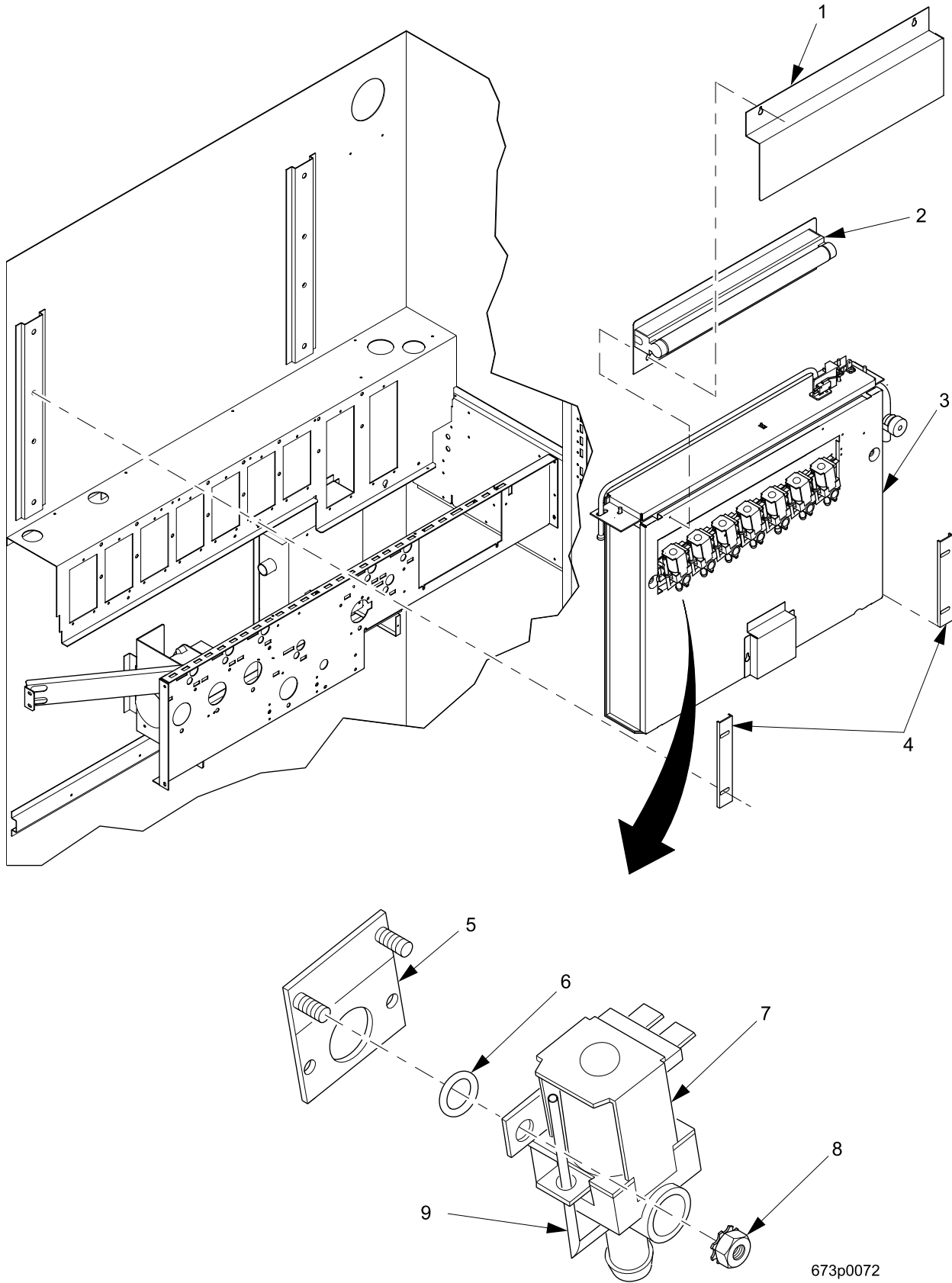
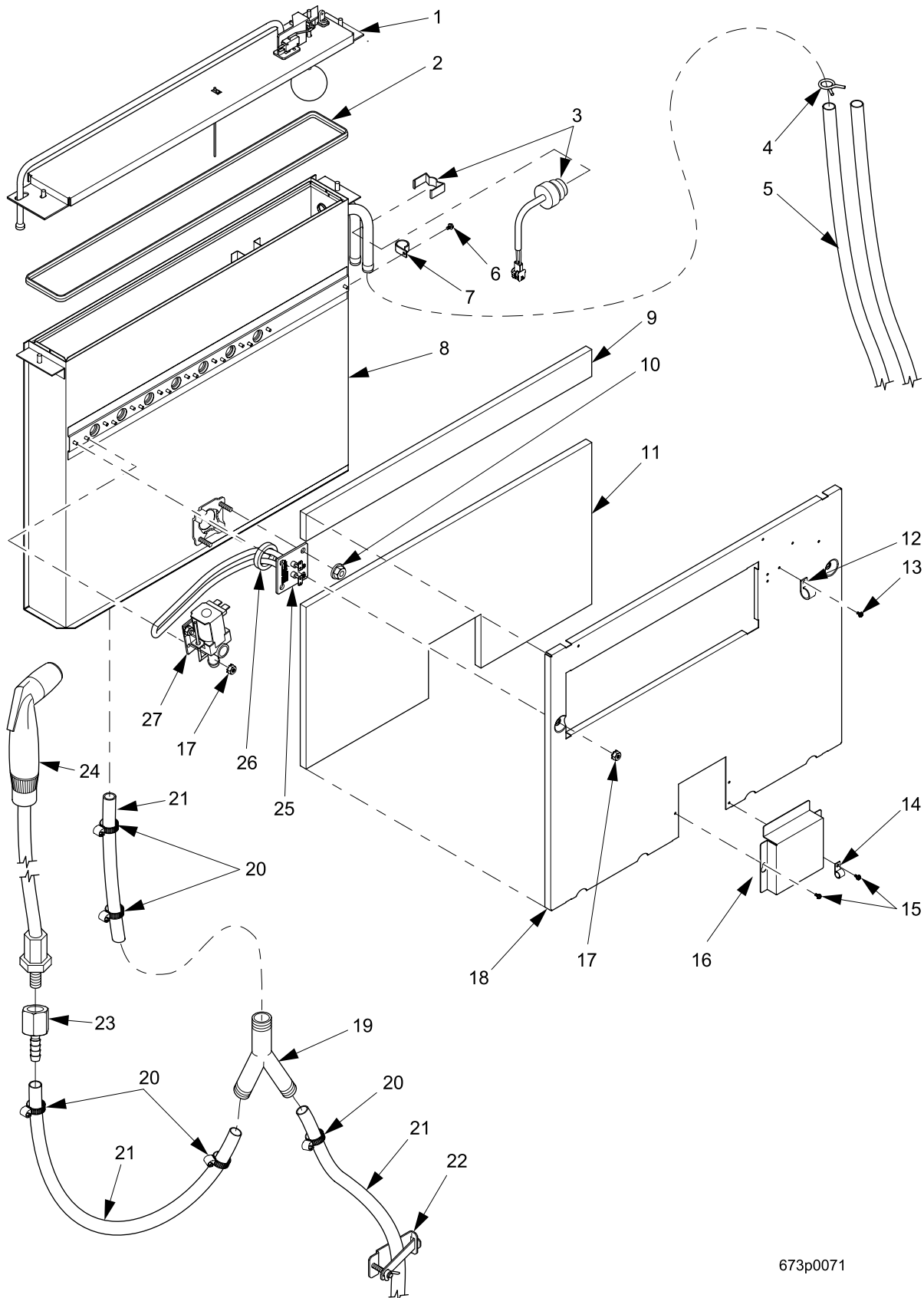


FIGURE 33 HOT WATER VALVE ASSEMBLY - 115V

673p0072

TABLE 33 HOT WATER VALVE ASSEMBLY - 115V

INDEX	PART NUMBER	DESCRIPTION	QTY
1	6338058	COVER - HOT WATER VALVES	1
2	6231372	SERVICE LIGHT / BRACKET ASSEMBLY - DOMESTIC (SEE FIGURE 31)	1
3	6738005	WATER TANK ASSEMBLY - BASIC - DOMESTIC	1
4	6231036	CLAMP - WATER TANK	2
5	6238113	VALVE MOUNTING PLATE & STUD ASSEMBLY	1
6	6238074	"O" RING - .48 I.D.X .10	1
7	6338053	VALVE - HOT WATER TANK - 120V - K56778-53	1
8	9900081	NUT #8-32 KEPS ZINC PLATE	--
9	6338054	VENT - ELBOW - SIEBE K72876	1



673p0071

FIGURE 34 WATER TANK ASSEMBLY

TABLE 34 WATER TANK ASSEMBLY

INDEX	PART NUMBER	DESCRIPTION	QTY
--	6738005	WATER TANK ASSEMBLY - BASIC - DOMESTIC	--
1	6338046	LID ASSEMBLY - FINAL - HOT WATER TANK	--
2	6538000	GASKET - VULCANIZED - HOT WATER TANK.	1
3	6739015	SAFETYSTAT ASSEMBLY - 5/8	1
4	3118035	CLAMP - HOSE 1/0 CORBIN A 13	2
5	6238090	IN TUBING - 13/16 OD X 5/8 ID BLACK	128"
6	1451097	SCREW - #8-32X.31 HEX HD.TF - BLACK	--
7	6231035	HARNESS CLIP - .750	3
8	6558009	WELD ASSEMBLY - WATER TANK	1
9	6238137	INSULATION - TOP - HOT WATER TANK	1
10	1172021	NUT - 1/4-20 WHIZ - LOCK	--
11	6238136	INSULATION - BOTTOM - HOT WATER TANK	1
12	4751060	RETAINER - HARNESS	--
13	1451097	SCREW - #8-32X.31 HEX HD.TF - BLACK	--
14	1452139	RETAINER - HARNESS	2
15	1451097	SCREW - #8-32X.31 HEX HD.TF - BLACK	--
16	6238104	COVER - HEATER - WATER TANK	1
17	9900081	NUT #8-32 KEPS ZINC PLATE	--
18	6238075	COVER - FRONT - WATER TANK	1
19	6158007	Y CONNECTOR - 1/2 OD X 3/8 ID	1
20	6158063	CLAMP HOSE	2
21	6338021	TUBING - SILICONE - .375IDX.562OD	2
22	6408154	PINCH CLAMP ASSEMBLY	1
23	6338059	FITTING - PARKER #126HBL-6-2	1
24	6338060	SPRAY HOSE - 48"	1
25	6738004	HEATER - 1750W - 120V	1
26	6508006	GASKET HEATER	1
27	6238112	VALVE ASSEMBLY - HOT WATER TANK - 115 (SEE FIGURE 33)	--

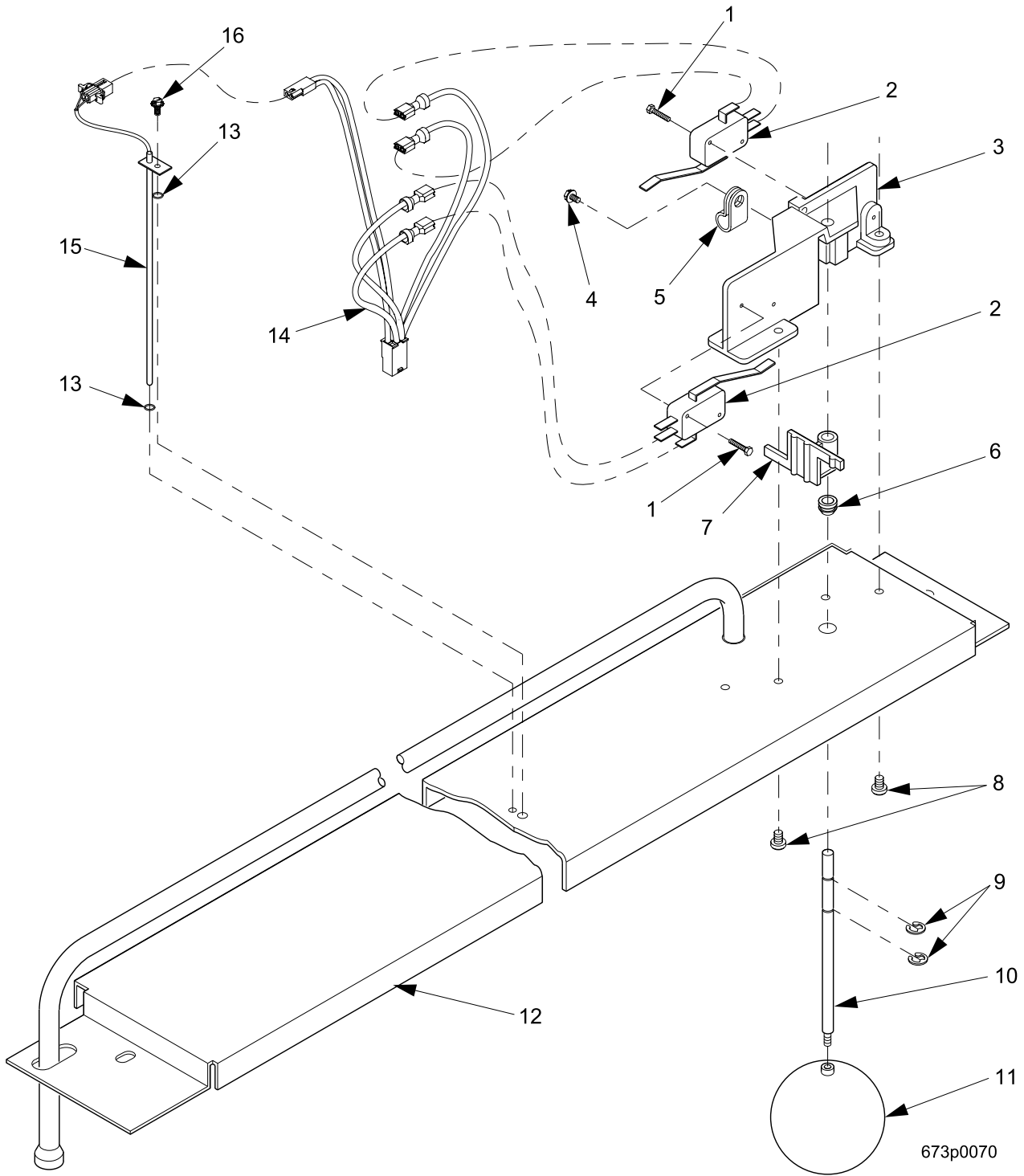


FIGURE 35 WATER TANK - LID ASSEMBLY

TABLE 35 WATER TANK - LID ASSEMBLY

INDEX	PART NUMBER	DESCRIPTION	QTY
1	6238070	SCREW - #4-17X.62 HEX HD	2
2	6238084	SWITCH - LEVER - 10 GRAM	2
3	6238068	BRACKET - MOUNTING - SWITCH	1
4	1451097	SCREW - #8-32X.31 HEX HD.TF - BLACK	--
5	1211161	CABLE CLAMP - RICHCO#N4	1
6	6338050	BEARING - LID - HOT WATER TANK	1
7	6138183	ACTUATOR SWITCH	1
8	6237049	SCREW - #8-16X.25 - SLTD - PHS	3
9	6124073	RETAINING RING REINF E TYP.156	--
10	6338049	SHAFT - FLOAT	1
11	6508033	FLOAT WATER TANK	1
12	6338047	WELD ASSEMBLY - COVER - LG. INLET - WATER TANK	1
13	6138287	O RING	2
14	6339021	HARNESS - FLOAT SWITCHES	1
15	6338051	SENSOR - TEMPERATURE - HOT WATER TANK	1
16	6234295	SCREW - #8-32X.38 HHS W/LW	2

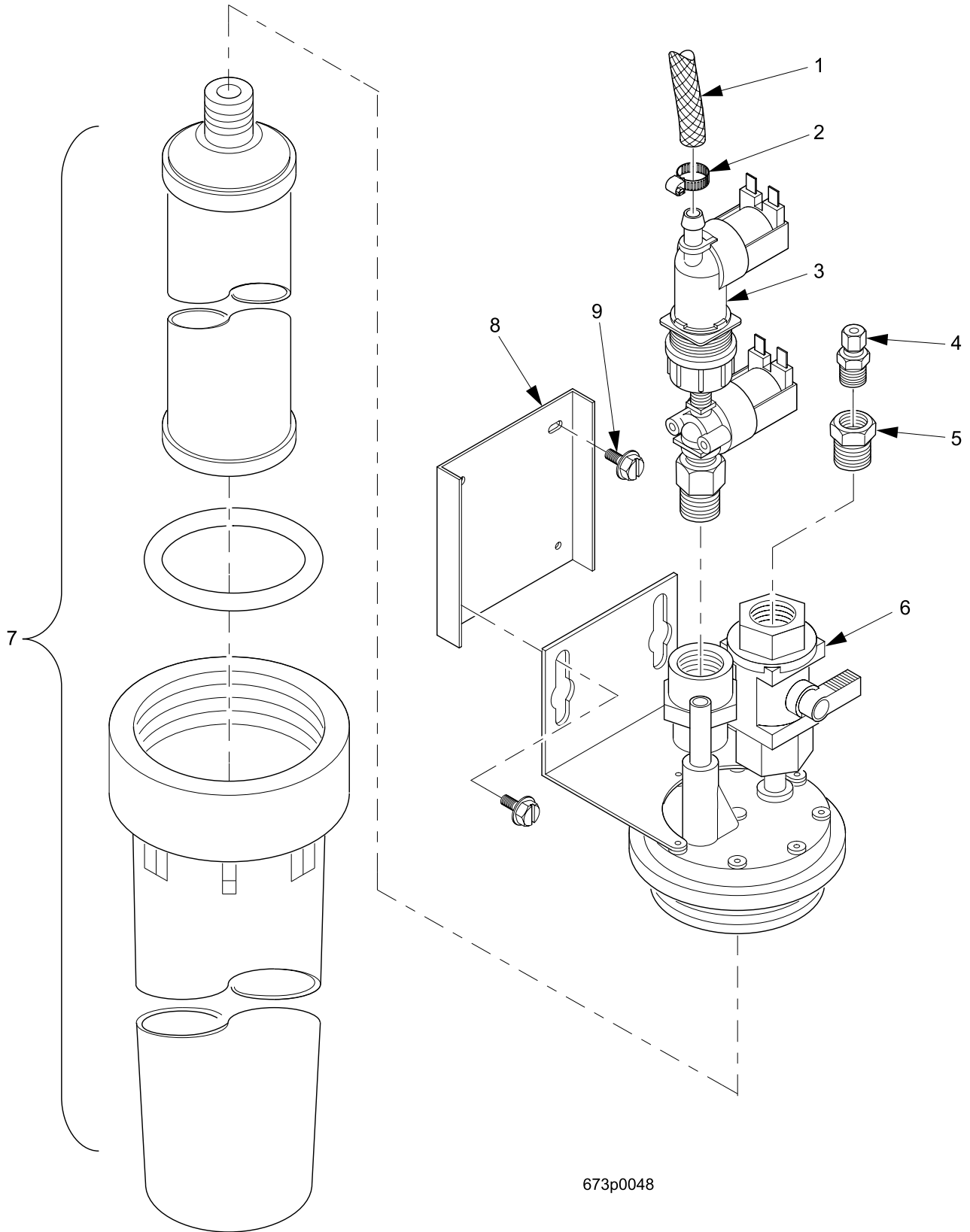
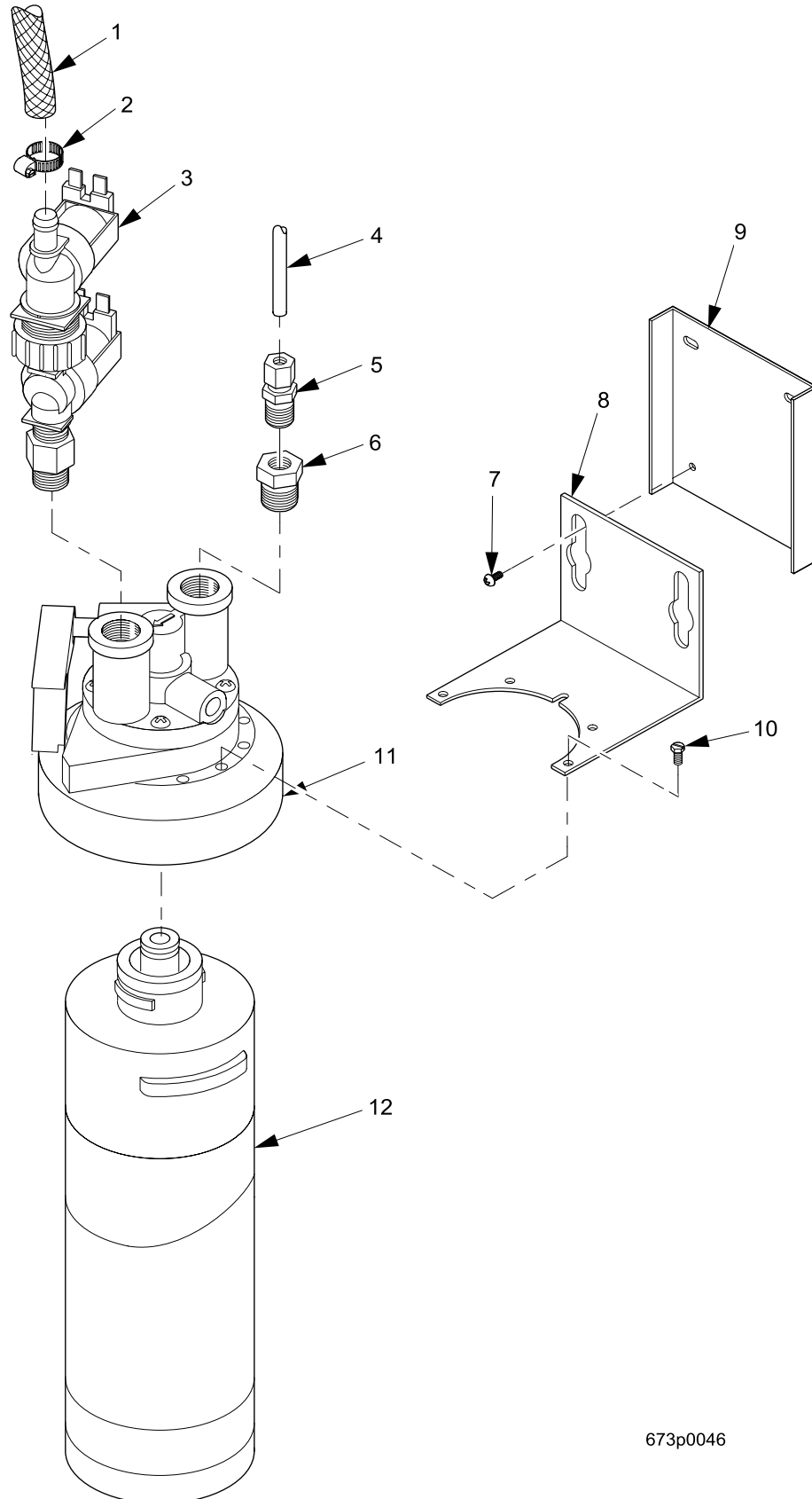


FIGURE 36 FILTER AND HEAD ASSEMBLY - HYDRO LIFE 115V

TABLE 36 FILTER AND HEAD ASSEMBLY - HYDRO LIFE 115V

INDEX	PART NUMBER	DESCRIPTION	QTY
1	6238166	TUBE - LONG INLET - WATER TANK LID	1
2	3154059	CLAMP - STAINLESS STEEL	2
3	3158061	VALVE ASSEMBLY - WATER INLET - U.K.	1
4	6408119	MALE CONCTOR - BRASS #4-4-FBI2-B	3
5	6408117	BUSHING - 1/4X3/8 - BRASS - 209P-6-4	1
6	6338027	HEAD - BRACKET ASSEMBLY - HLV192 - G6710	1
7	6408028	HOUSING, CARTRIDGE, "O" RING - HLV192H	1
8	6231142	PLATE - WATER FILTER	1
9	1451097	SCREW - #8-32X.31 HEX HD.TF - BLACK	4

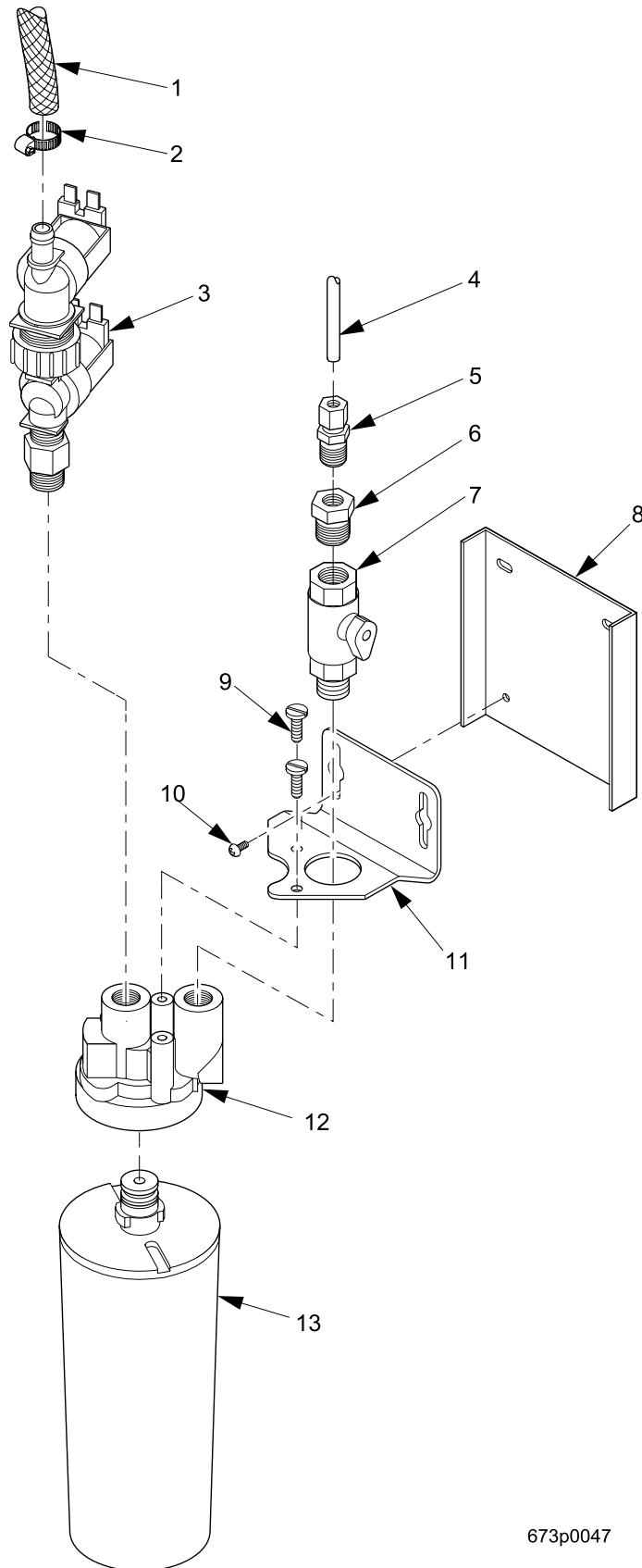


673p0046

FIGURE 37 FILTER HEAD ASSEMBLY - EVERPURE 115V

TABLE 37 FILTER HEAD ASSEMBLY - EVERPURE 115V

INDEX	PART NUMBER	DESCRIPTION	QTY
1	6238166	TUBE - LONG INLET - WATER TANK LID	1
2	3154059	CLAMP - STAINLESS STEEL	2
3	3158061	VALVE ASSEMBLY - WATER INLET - U.K.	1
4	6338016	TUBING - INLET - W/FILTER OPT	1
5	6408119	MALE CONCTOR - BRASS #4-4-FBI2-B	3
6	6408117	BUSHING - 1/4X3/8 - BRASS - 209P-6-4	1
7	1451097	SCREW - #8-32X.31 HEX HD.TF - BLACK	2
8	3158023	BRACKT - MOUNTING - WATER FILTER #3046-44	1
9	6231142	PLATE - WATER FILTER	1
10	9900205	SCREW #10-32 X 3/8 HEX HD	--
11	6408134	FILTER HEAD - EVERPURE #9257-12	1
12	6118071	CARTRIDGE - WATER - FILTER - 9611-00-4H	1



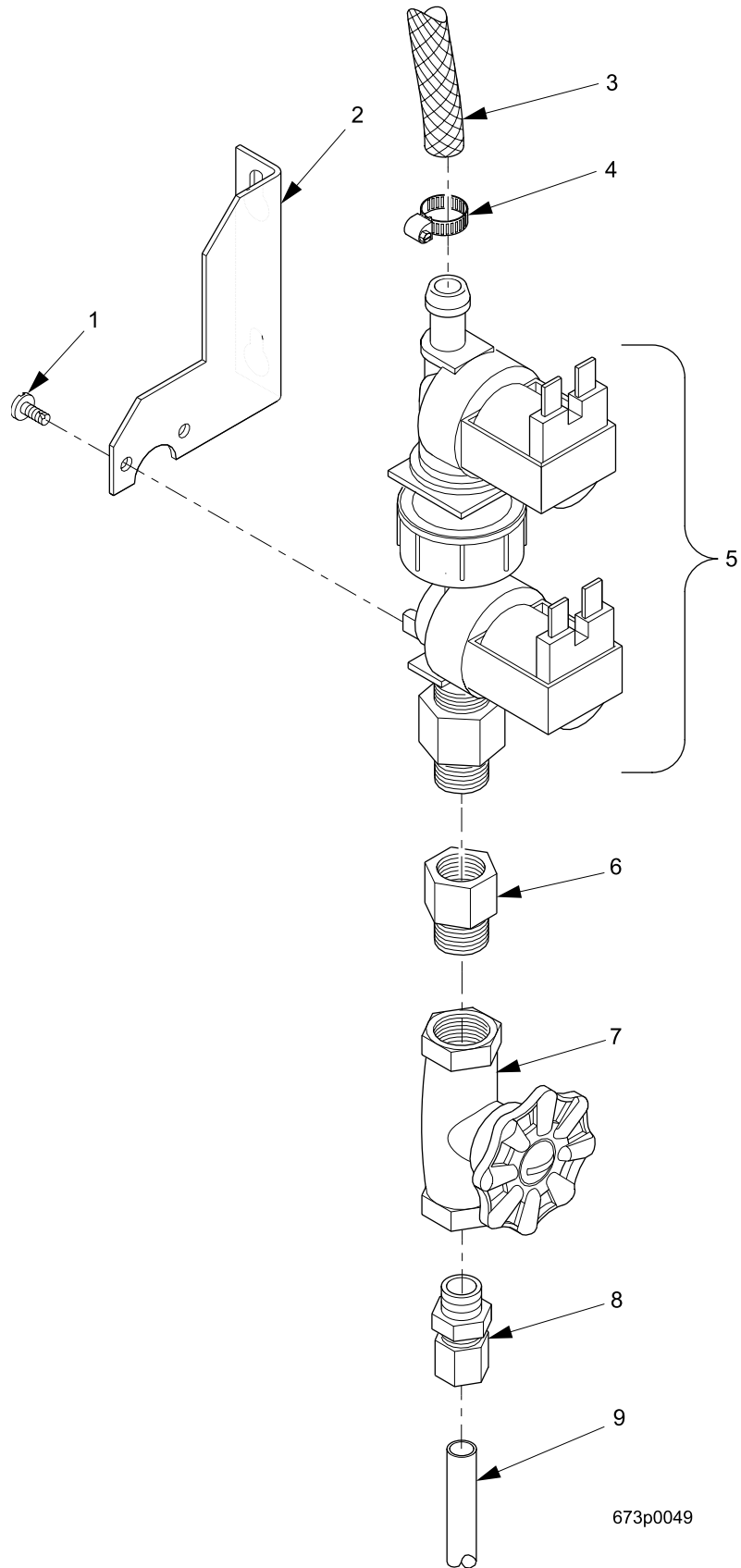
673p0047

FIGURE 38 FILTER HEAD ASSEMBLY - CUNO 115V

TABLE 38 FILTER HEAD ASSEMBLY - CUNO 115V

INDEX	PART NUMBER	DESCRIPTION	QTY
1	6238166	TUBE - LONG INLET - WATER TANK LID	1
2	3154059	CLAMP - STAINLESS STEEL	2
3	3158061	VALVE ASSEMBLY - WATER INLET - U.K.	1
4	6338016	TUBING - INLET - W/FILTER OPT	1
5	6408119	MALE CONCTOR - BRASS #4-4-FBI2-B	3
6	6408117	BUSHING - 1/4 X 3/8 - BRASS - 209P-6-4	1
7	6408113	BALL VALVE - 3/8" - TTC	1
8	6231142	PLATE - WATER FILTER	1
9	7207027	SCREW #10-16 X 5/8 PHS	2
10	1451097	SCREW - #8-32X.31 HEX HD.TF - BLACK	2
11	6408115	BRACKET - CUNO WATER FILTER HD#69682-31	1
12	6408114	FILTER HEAD - CUNO #68375-01	1
13	6338015	WATER FILTER - CUNO - HOT - 12/CS	1

Note: Water Valve is Not Shown, (SEE FIGURE 39)

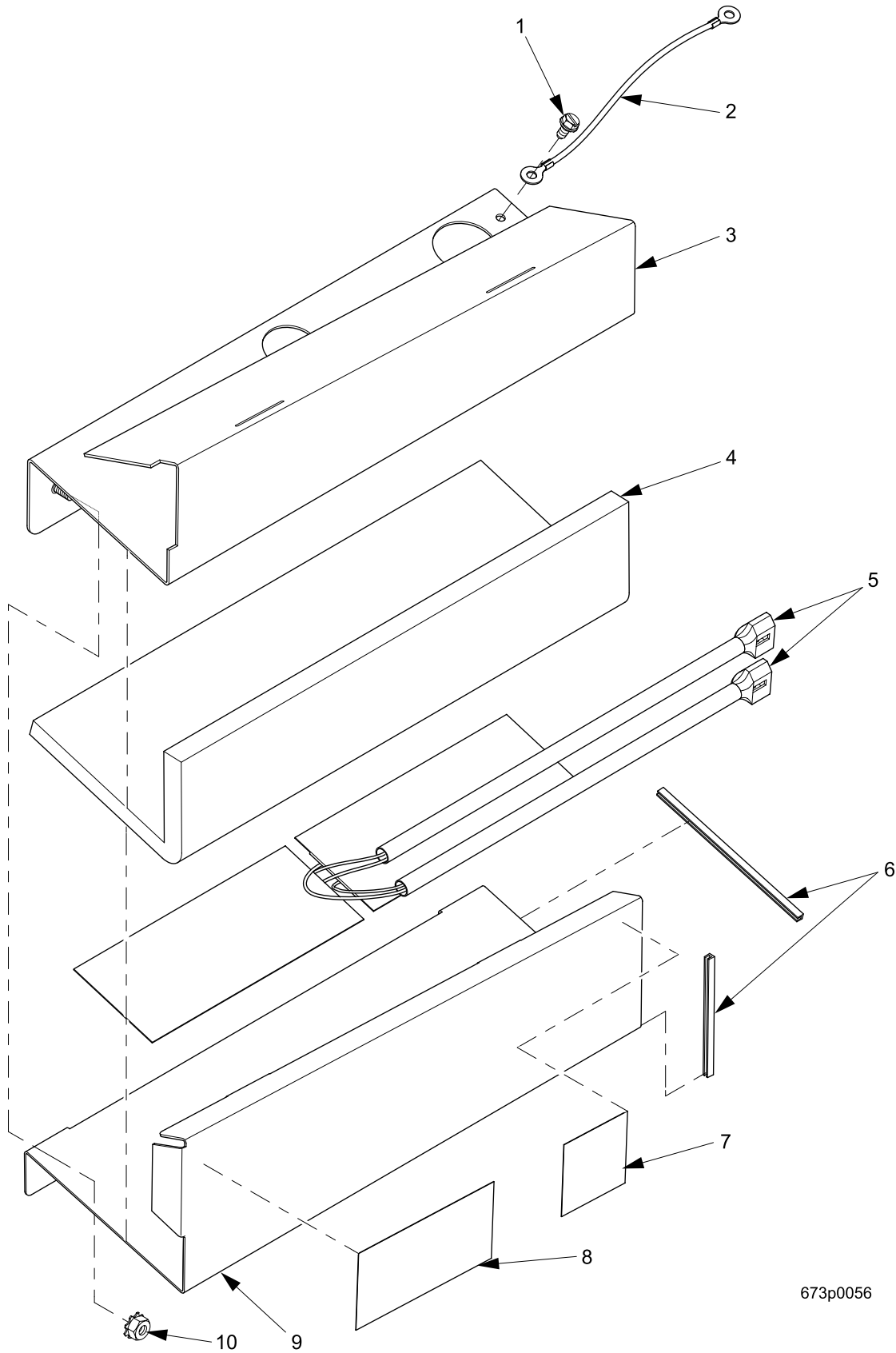


673p0049

FIGURE 39 BRACKET AND VALVE ASSEMBLY

TABLE 39 BRACKET AND VALVE ASSEMBLY

INDEX	PART NUMBER	DESCRIPTION	QTY
1	9900203	SCREW #6-20 X 3/8 PHS T/C	--
2	6231501	SUPPORT - INLET WATER VALVE	1
3	6238166	TUBE - LONG INLET - WATER TANK LID	1
4	3154059	CLAMP - STAINLESS STEEL	2
5	3158061	VALVE ASSEMBLY - WATER INLET - U.K.	1
6	6231503	ADAPTER - 3/8 - 1/4 #222P-6-4	1
7	3108048	VALVE WATER - CONBRACO #57-001-01	1
8	6408119	MALE CONCTOR - BRASS #4-4-FBI2-B	3
9	6338017	TUBING - INLET LINE - NO FILTER	1



673p0056

FIGURE 40 HEATER ASSEMBLY - 115V / 50W (OPTIONAL)

TABLE 40 HEATER ASSEMBLY - 115 / 50W (OPTIONAL)

INDEX	PART NUMBER	DESCRIPTION	QTY
1	3157060	SCREW - #8-32 X .31 HEX W/ HD. S	3
2	9984094	WIRE - GROUND - 14"	1
3	6361040	HEATER/TUBE COVER ASSEMBLY	1
4	6361042	INSULATOR - HEATER	1
5	6369000	HEATER - 230V/100W - SILICONE	1
6	3156015	GROMMET - CONTINUOUS	3.4
7	6231189	LABEL - WARNING - HIGH VOLTAGE	2
8	6231188	LABEL - CAUTION - HOT SURFACE	1
9	6361041	COVER - HEATER	1
10	4402043	NUT - #8-32 W/L.W.-S.S	2

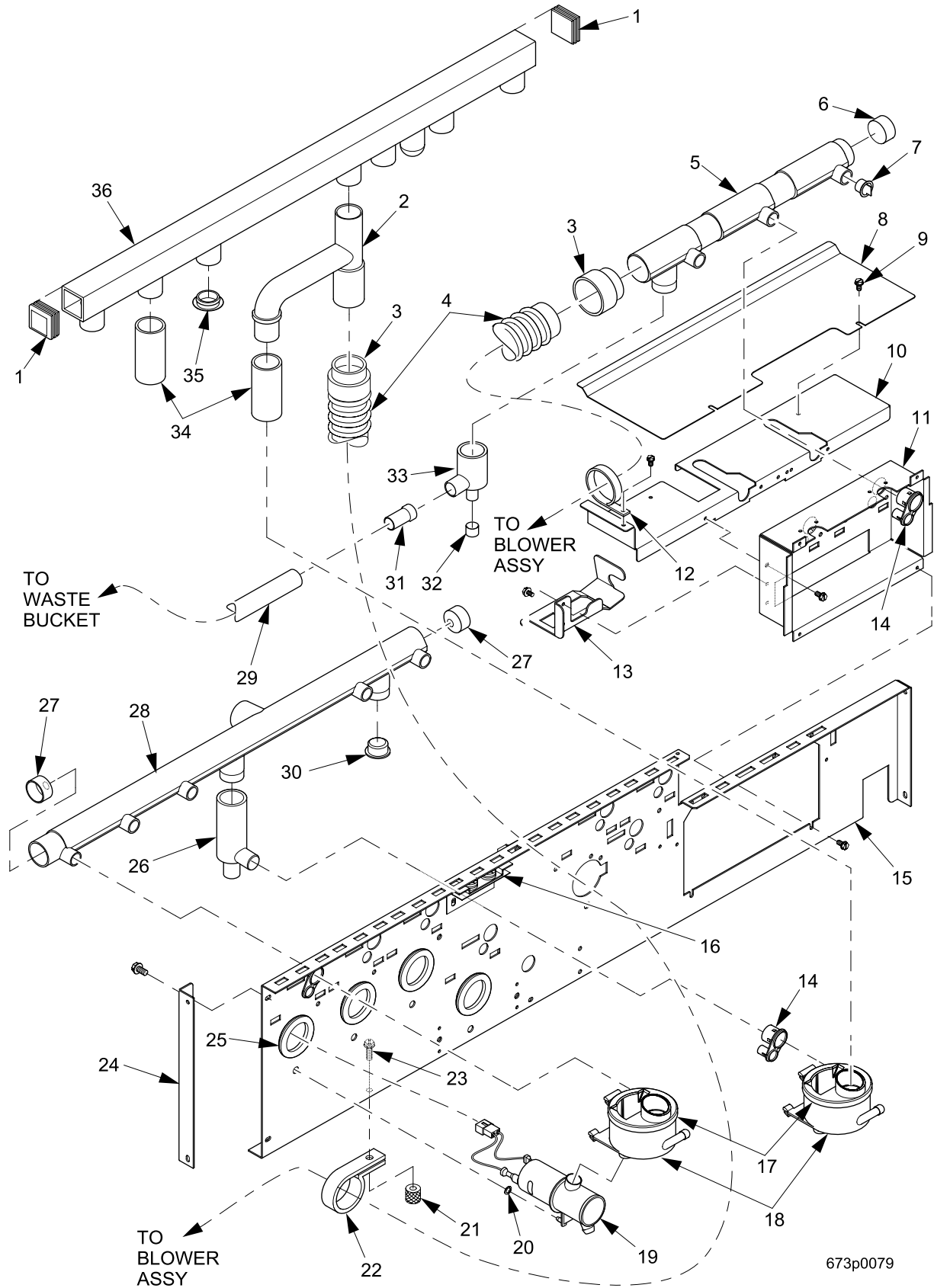


FIGURE 41 CANISTER SUPPORT ASSEMBLY - DUAL GRINDER

TABLE 41 CANISTER SUPPORT ASSEMBLY - DUAL GRINDER

INDEX	PART NUMBER	DESCRIPTION	QTY
--	6734085	VENT ASSEMBLY - REAR BOWL - SINGLE FRESH BREW (INCLUDES ITEMS 1, 3, 4, 5, 6, 31, 31, 33)	1
1	6337082	CAP - MANIFOLD	2
2	6337044	VENT - SUGAR/LIGHTENER - ADAPTOR	1
3	6137157	COUPLING VENT HOSE	4
4	6737011	HOSE - EXHAUST - COFFEE CHUTE	1
5	6734083	VENT REAR BOWL	1
6	6237347	VINYL CAP - 1.00 X .50 LG	1
7	6237303	PLUG - CENTER PULL - .56	1
8	6734081	COVER - BREWER	1
9	1451097	SCREW - #8-32X.31 HEX HD.TF - BLACK	--
10	6734090	RETAINER - VENT HOSE	1
11	6734017	MOUNTING - MIXING BOWLS	1
12	3631171	CLIP - HARNESS - 1.50	1
13	6734016	RETAINER - HOSE - BREWER - D.G.	1
14	6237315	RETAINER - TUBE - MIXING BOWL	8
15	6731005	CHNL. W/A - CAN. SUPPORT - DUAL GRD.	1
16	6337057	CANISTER SUPPORT ASSEMBLY - LIGHTNER	1
17	6537019	VENT & DIVIDER ASSEMBLY	6
18	6537030	MIXING BOWL (SEE FIGURE 72)	6
19	6237195	WHIPPER ASSEMBLY - DRINK	4
20	2302223	GROMMET - 3/16	4
21	9900214	NUT - KNURL - CANISTER	1
22	4254012	CLAMP - 1.375	1
23	4741050	SCREW - #8-32 X .50 HX.HD. - T/F - BLACK	1
24	6731007	BRACKET - CAN. SUPPORT - LEFT	1
25	6237115	GROMMET - WHIPPER MOUNTING	4
26	6237336	VENT - EXTENSION - SUGAR/LIGHTENER	1
27	6237335	VINYL CAP - 1.000 I.D.X .50 LG.-	2
28	6337110	VENT - SHELF - DUAL FRESH BREW - W/6TH PRODUCT	1
29	6338021	TUBING - SILICONE - .375IDX.562OD	34"
30	6237301	PLUG CENTER PULL - .93	1
31	6237314	TUBE - ADAPTER	1
32	6237306	VINYL CAP - .38 I.D.	1
33	6734086	VENT - DRAIN - SHORT	1
34	6337049	TUBE - EXTENSION - SILICONE	2
35	6337093	PLUG - HOLE - 7/8 DIA.	1
36	6537031	VENT - FRONT - DUAL FRESH BREW 7TH PRODUCT	1

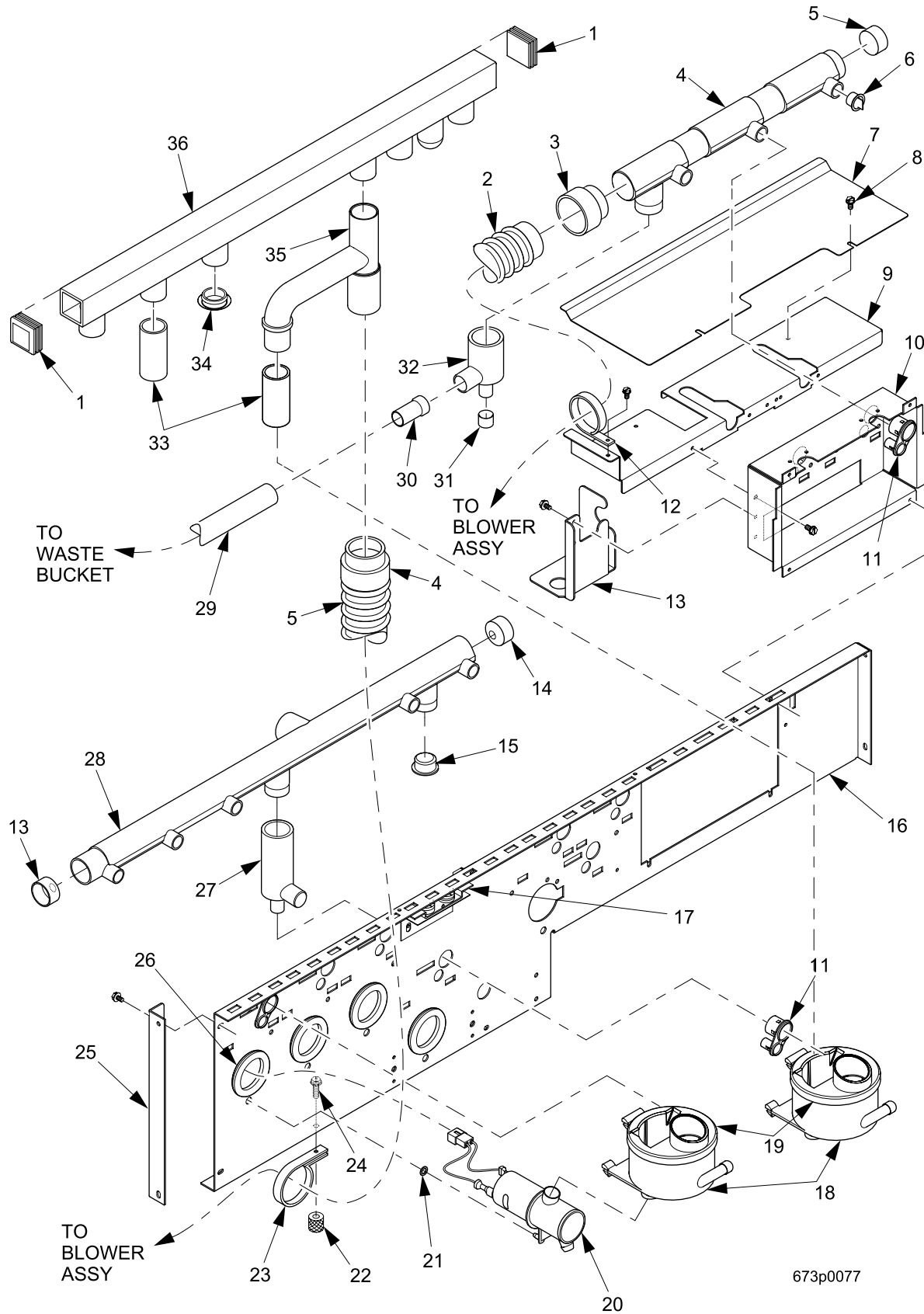


FIGURE 42 CANISTER SUPPORT ASSEMBLY - DUAL/FRESH BREWED W/ 7TH PRODUCT

TABLE 42 CANISTER SUPPORT ASSEMBLY - DUAL/FRESH BREWED W/ 7TH PRODUCT

INDEX	PART NUMBER	DESCRIPTION	QTY
-	6734084	VENT ASSEMBLY - REAR BOWL (INCLUDES ITEMS 1, 4, 5, 29, 30, 32)	1
1	6337082	CAP - MANIFOLD	2
2	6337011	HOSE - EXHAUST - COFFEE CHUTE	2
3	6137157	COUPLING VENT HOSE	4
4	6734083	VENT REAR BOWL	1
5	6237347	VINYL CAP - 1.00 X .50	1
6	6237303	PLUG - CENTER PULL - .56	1
7	6734081	COVER - BREWER	1
8	1451097	SCREW - #8-32X.31 HEX HD.TF - BLACK	--
9	6734080	RETAINER - VENT HOSE	1
10	6734017	MOUNTING - MIXING BOWLS	1
11	6237315	RETAINER - TUBE - MIXING BOWL	8
12	3631171	CLIP - HARNESS - 1.50	1
13	6734014	RETAINER - HOSE - BREWER	1
14	6237335	VINYL CAP - 1.000 I.D.X .50 LG.-	2
15	6237301	PLUG CENTER PULL - .93	1
16	6731001	CHANNEL ASSEMBLY - CAN SUPPORT	1
17	6337057	CANISTER SUPPORT ASSEMBLY - LIGHTNER	1
18	6537030	MIXING BOWL (SEE FIGURE 72)	6
19	6537019	VENT & DIVIDER ASSEMBLY	6
20	6237195	WHIPPER ASSEMBLY - DRINK	4
21	2302223	GROMMET - 3/16	4
22	9900214	NUT - KNURL - CANISTER	1
23	4254012	CLAMP - 1.375	1
24	4741050	SCREW - #8-32 X .50 HX.HD. - T/F - BLACK	1
25	6731007	BRACKET - CAN. SUPPORT - LEFT	1
26	6237115	GROMMET - WHIPPER MOUNTING	4
27	6237336	VENT - EXTENSION - SUGAR/LGHTENER	1
28	6337110	VENT - SHELF - DUAL FRESH BREW - W/6TH PRODUCT	1
29	6338021	TUBING - SILICONE - .375IDX.562OD	34"
30	6237314	TUBE - ADAPTER	1
31	6237306	VINYL CAP - .38 I.D.	1
32	6734086	VENT - DRAIN - SHORT	1
33	6337049	TUBE - EXTENSION - SILICONE	2
34	6337093	PLUG - HOLE - 7/8 DIA.	1
35	6337044	VENT - SUG/LIT - ADAPTOR	1
36	6551005	VENT - FRONT - BOWL - FREEZE DRIED - 7 PRODUCT	1

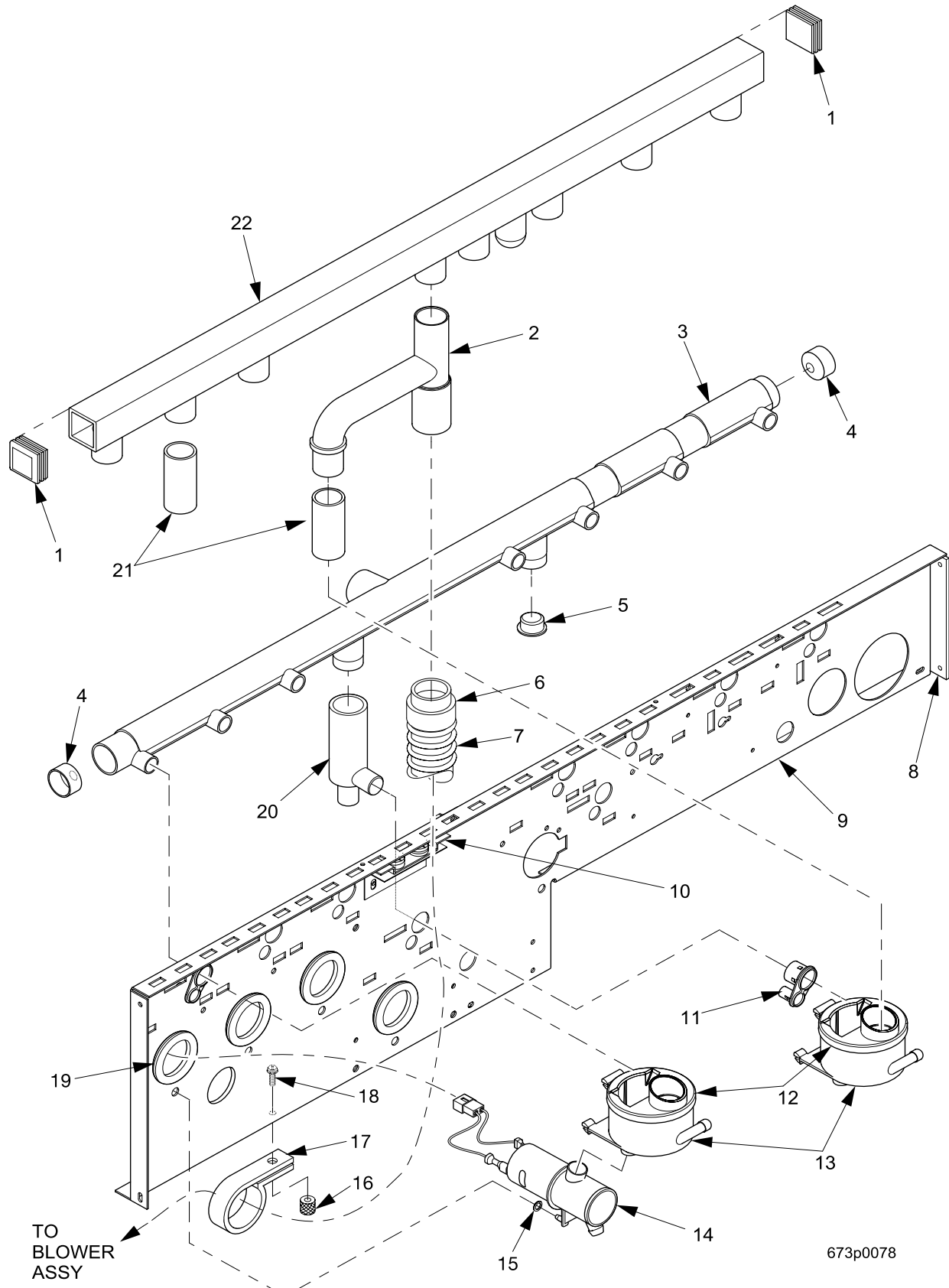


FIGURE 43 CANISTER SUPPORT ASSEMBLY - FREEZE DRIED WITH 7TH PRODUCT

TABLE 43 CANISTER SUPPORT ASSEMBLY - FREEZE DRIED WITH 7TH PRODUCT

INDEX	PART NUMBER	DESCRIPTION	QTY
1	6337082	CAP - MANIFOLD	2
2	6337044	VENT - SUGAR/ LIT - ADAPTOR	1
3	6551004	VENT - REAR BOWL - SINGLE FRESH BREW	1
4	6237335	VINYL CAP - 1.000 I.D.X .50 LG.-	2
5	6237301	PLUG CENTER PULL - .93	1
6	6137157	COUPLING VENT HOSE	2
7	6737011	HOSE - EXHAUST - COFFEE CHUTE	1
8	6231033	BRACKET - CANISTER SUPPORT	1
9	6551002	CHANNEL WELD ASSEMBLY - CANISTER SUPPORT	1
10	6337057	CANISTER SUPPORT ASSEMBLY - LIGHTNER	1
11	6237315	RETAINER - TUBE - MIXING BOWL	8
12	6537019	VENT & DIVIDER ASSEMBLY	7
13	6537030	MIXING BOWL	7
14	6237195	WHIPPER ASSEMBLY - DRINK	5
15	2302223	GROMMET - 3/16	5
16	9900214	NUT - KNURL - CANISTER	1
17	4254012	CLAMP - 1.375	1
18	4741050	SCREW - #8-32 X .50 HX.HD. - T/F - BLACK	1
19	6237115	GROMMET - WHIPPER MOUNTING	5
20	6237336	VENT - EXTENSION - SUGAR/LIGHTENER	1
21	6337049	TUBE - EXTENSION - SILICONE	8
22	6551005	VENT - FRONT - BOWL - FREEZE DRIED - 7 PRODUCT	1

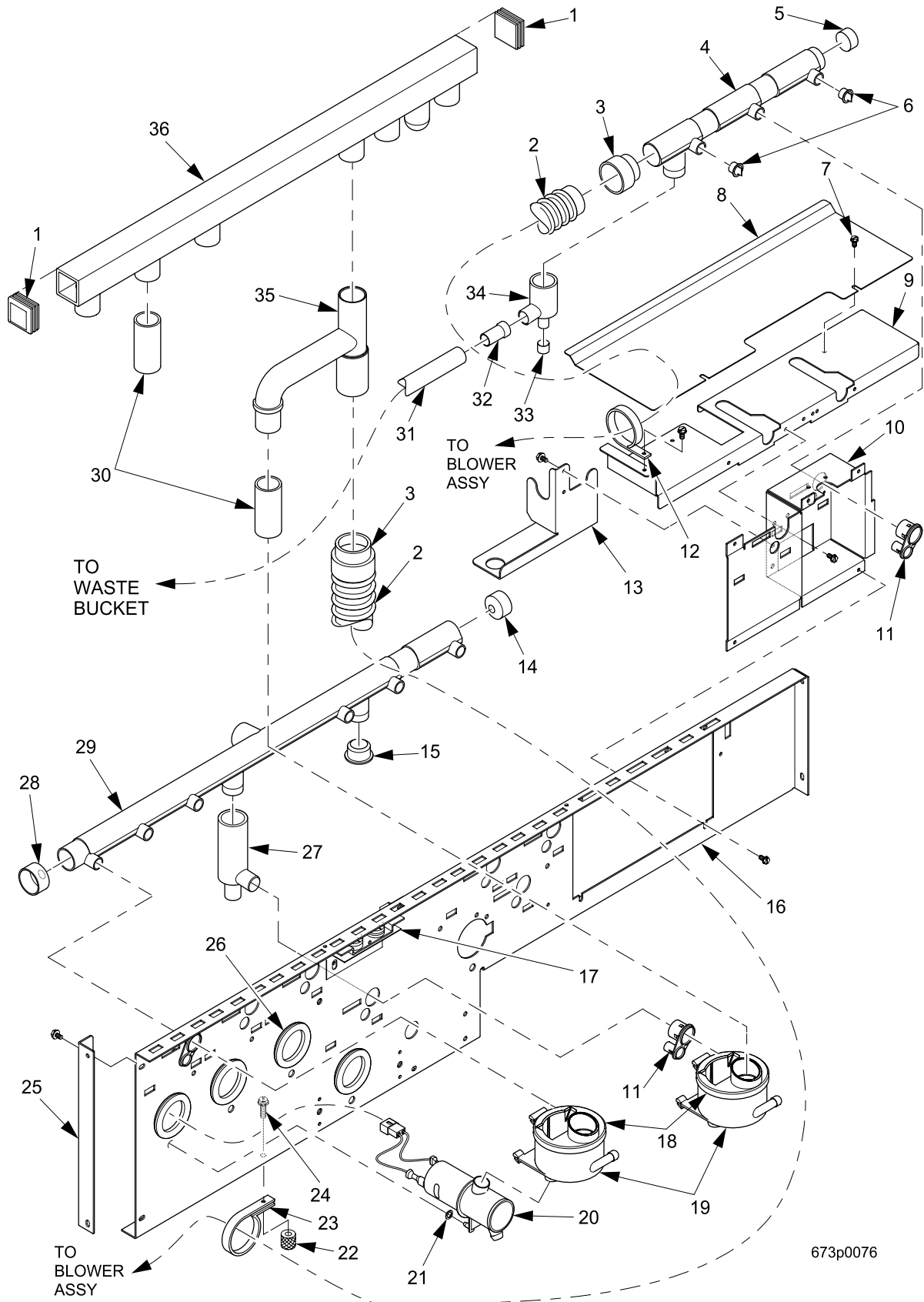


FIGURE 44 CANISTER SUPPORT ASSEMBLY - SINGLE FRESH BREWED W/ 7TH PRODUCT

TABLE 44 CANISTER SUPPORT ASSEMBLY - SINGLE FRESH BREWED W/ 7TH PRODUCT

INDEX	PART NUMBER	DESCRIPTION	QTY
1	6337082	CAP - MANIFOLD	2
2	6737011	HOSE - EXHAUST - COFFEE CHUTE	2
3	6137157	COUPLING VENT HOSE	4
4	6734083	VENT REAR BOWL	1
5	6237347	VINYL CAP - 1.00 X .50	1
6	6237303	PLUG - CENTER PULL - .56	2
7	1451097	SCREW - #8-32X.31 HEX HD. TF - BLACK	--
8	6734081	COVER - BREWER	1
9	6734080	RETAINER - VENT HOSE	1
10	6734018	PANEL - MIXING BOWL - MOUNTING - SINGLE FRESH BREW	1
11	6237315	RETAINER - TUBE - MIXING BOWL	8
12	3631171	CLIP - HARNESS - 1.50	1
13	4732024	RETAINER - HARNESS	1
14	6237335	VINYL CAP - 1.000 I.D.X .50 LG.-	1
15	6237301	PLUG CENTER PULL - .93	1
16	6731001	CHANNEL ASSEMBLY - CANISTER SUPPORT	1
17	6337057	CANISTER SUPPORT ASSEMBLY - LIGHTENER	1
18	6537019	VENT & DIVIDER ASSEMBLY	6
19	6537030	MIXING BOWL	6
20	6237195	WHIPPER ASSEMBLY - DRINK	4
21	2302223	GROMMET - 3/16	4
22	9900214	NUT - KNURL - CANISTER	1
23	4254012	CLAMP - 1.375	1
24	4741050	SCREW - #8-32 X .50 HX.HD. - T/F - BLACK	1
25	6731007	BRACKET - CANISTER SUPPORT - LEFT	1
26	6237115	GROMMET - WHIPPER MOUNTING	4
27	6237336	VENT - EXTENSION - SUGAR/LIGHTENER	1
28	6237335	VINYL CAP - 1.000 I.D.X .50 LG.-	1
29	6337109	VENT - SHELF - SINGLE FRESH BREW - W/6TH PRODUCT	1
30	6337049	TUBE - EXTENSION - SILICONE	7
31	6338021	TUBING - SILICONE - .375IDX.562OD	34"
32	6237314	TUBE - ADAPTER	1
33	6237306	VINYL CAP - .38 I.D.	1
34	6734086	VENT - DRAIN - SHORT	1
35	6337044	VENT - SUGAR/LIGHTENER - ADAPTOR	1
36	6537001	VENT - FRONT - SINGLE FRESH BREW W/7TH PRODUCT	1

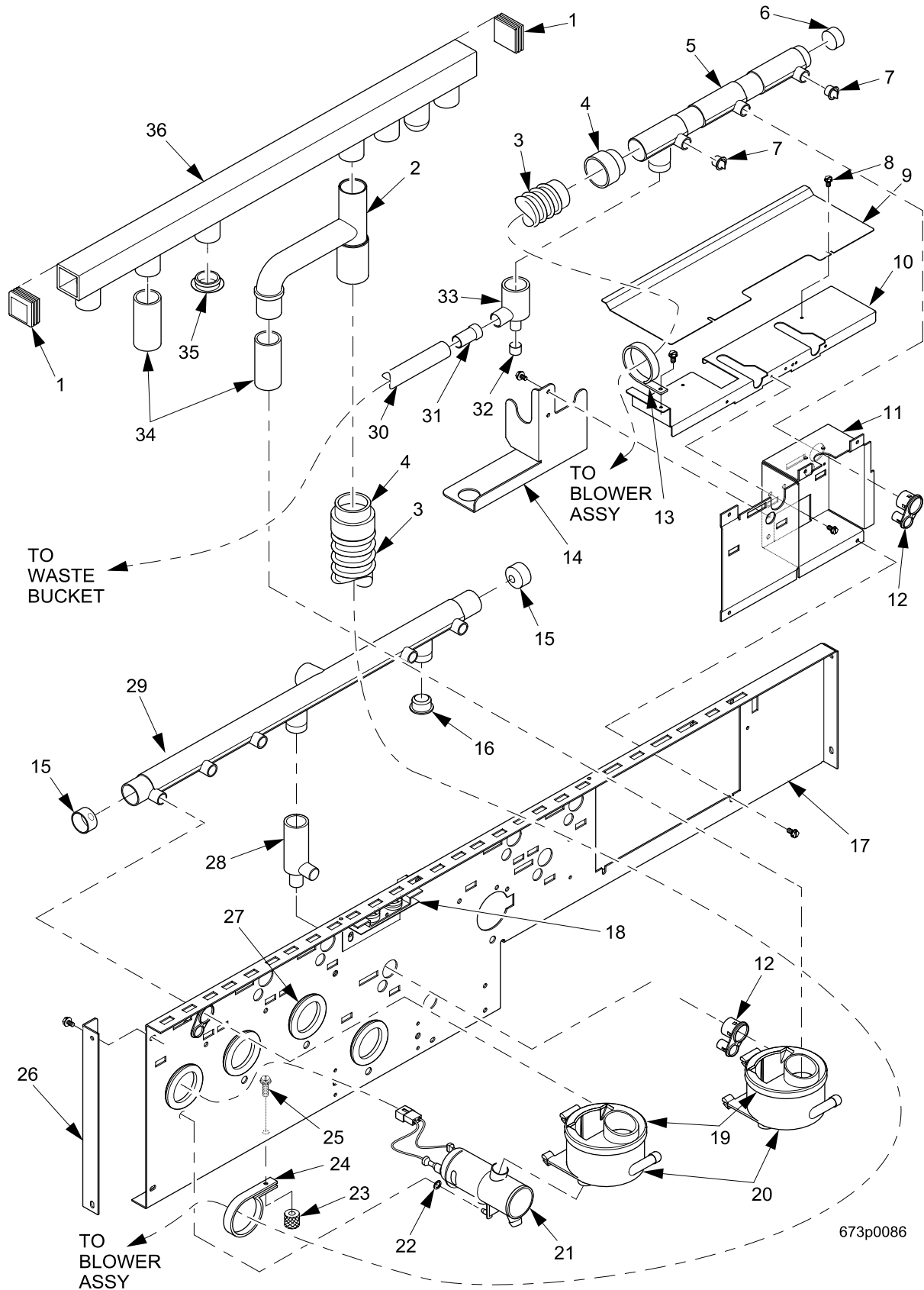


FIGURE 45 CANISTER SUPPORT ASSEMBLY - SINGLE FRESH BREWED W/ 6TH PRODUCT

TABLE 45 CANISTER SUPPORT ASSEMBLY - SINGLE FRESH BREWED W/ 6TH PRODUCT

INDEX	PART NUMBER	DESCRIPTION	QTY
1	6337082	CAP - MANIFOLD	2
2	6337044	VENT - SUGAR/LIGHTENER - ADAPTOR	1
3	6737011	HOSE - EXHAUST - COFFEE CHUTE	2
4	6137157	COUPLING VENT HOSE	4
5	6734083	VENT REAR BOWL	1
6	6237347	VINYL CAP - 1.00 X .GO LG	1
7	6237303	PLUG - CENTER PULL - .56	2
8	1451097	SCREW - #8-32X.31 HEX HD. TF - BLACK	--
9	6734081	COVER - BREWER	1
10	6734080	RETAINER - VENT HOSE	1
11	6734018	PANEL - MIXING BOWL - MOUNTING - SINGLE FRESH BREW	1
12	6237315	RETAINER - TUBE - MIXING BOWL	6
13	3631171	CLIP - HARNESS - 1.50	1
14	6734019	RETAINER - HOSE - BREWER - SINGLE FRESH BREW	1
15	6237335	VINYL CAP - 1.000 I.D.X .50 LG.-	3
16	6237301	PLUG CENTER PULL - .93	1
17	6731001	CHANNEL ASSEMBLY - CANISTER SUPPORT	1
18	6337057	CANISTER SUPPORT ASSEMBLY - LIGHTNER	1
19	6537019	VENT & DIVIDER ASSEMBLY	6
20	6537030	MIXING BOWL	6
21	6237195	WHIPPER ASSEMBLY - DRINK	4
22	2302223	GROMMET - 3/16	4
23	9900214	NUT - KNURL - CANISTER	1
24	4254012	CLAMP - 1.375	1
25	4741050	SCREW - #8-32 X .50 HX.HD. - T/F - BLACK	1
26	6731007	BRACKET - CANISTER SUPPORT - LEFT	1
27	6237115	GROMMET - WHIPPER MOUNTING	4
28	6237336	VENT - EXTENSION - SUGAR/LIGHTENER	1
29	6337109	VENT - SHELF - SINGLE FRESH BREW - W/6TH PRODUCT	1
30	6338021	TUBING - SILICONE - .375IDX.562OD	34"
31	6237314	TUBE - ADAPTER	1
32	6237306	VINYL CAP - .38 I.D.	1
33	6734086	VENT - DRAIN - SHORT	1
34	6337049	TUBE - EXTENSION - SILICONE	6
35	6337093	PLUG - HOLE - 7/8 DIA.	1
36	6537001	VENT - FRONT - SINGLE FRESH BREW W/7TH PRODUCT	1

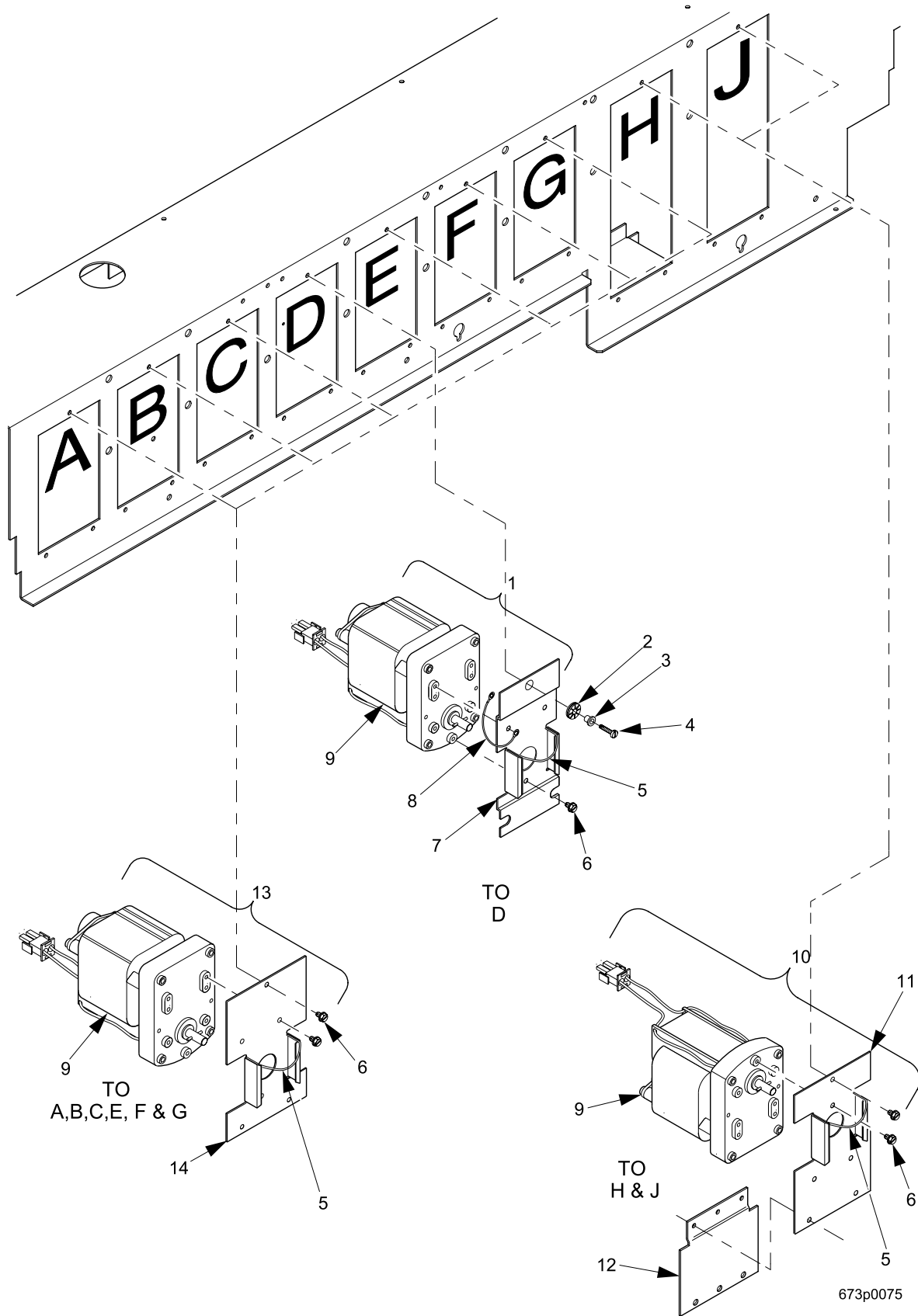
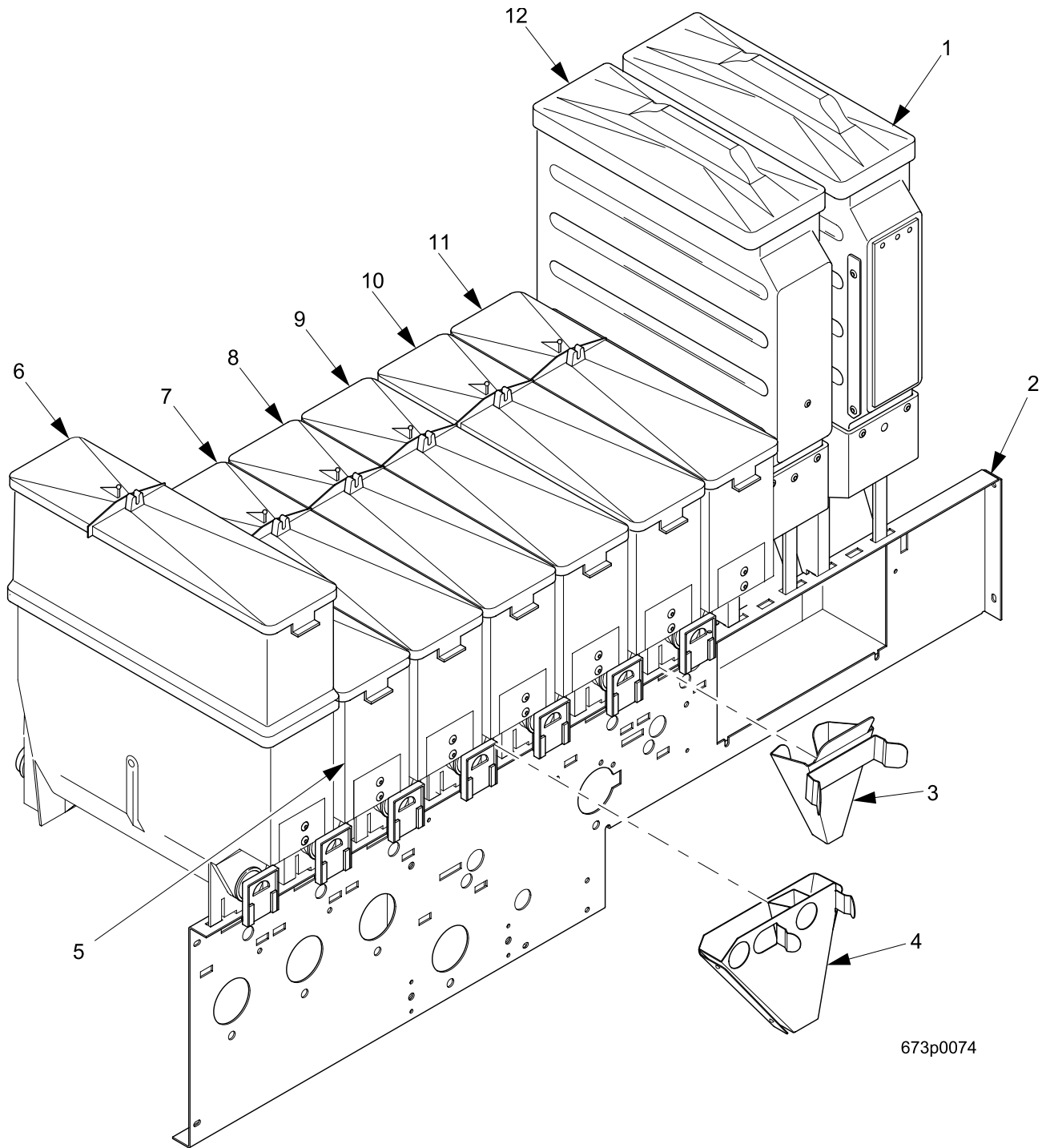


FIGURE 46 CANISTER MOTOR - LOCATION

TABLE 46 CANISTER MOTOR - LOCATION

INDEX	PART NUMBER	DESCRIPTION	QTY
1	6237184	MOTOR & PLATE ASSEMBLY - LIGHTENER (ITEMS 1, 5-9)	1
2	6237356	VIBRATION ISOLATOR - .375 DIA.GF	3
3	6237170	BUSHING - CANISTER	3
4	3102447	8-32 X 3/4 PHS TYPE 23 T/C ZNC	3
--	6237172	PLATE ASSEMBLY - MOTOR MOUNTING - LIGHTENER (ITEMS 5 & 7)	1
5	6237076	GUIDE - CANISTER	1
6	9900157	SCREW #8-32X7/32 HWHD.SERA	9
7	6237171	PLATE - MOTOR MOUNTING - LIGHTENER	1
8	1475119	JUMPER - GROUND WIRE	1
9	6237165	MOTOR - CANISTER - 115V/60HZ - 200	1
10	6237438	MOTOR & PLATE ASSEMBLY - COFFEE (ITEMS 5, 6, 9, 11)	2
--	6237077	PLATE ASSEMBLY - COFFEE MOTOR MOUNTING (ITEMS 5, 11)	--
11	6237078	PLATE - MOTOR MOUNTING - COFFE	1
12	6731036	PLATE - ADAPTOR - CANISTER MOTOR	2
13	6237436	MOTOR & PLATE ASSEMBLY - 200 RPM (ITEMS 5, 6, 9, 14)	6
--	6237074	PLATE ASSEMBLY - MOTOR MOUNTING - WELD (ITEMS 5, 14)	--
14	6237075	PLATE - MOTOR MOUNTING	1

Note: Plate #6734012 is mounted on the bottom for single grinder or freshbrews. Same plate is mounted on top for dual grinder option.



673p0074

FIGURE 47 CANISTER ASSEMBLIES

TABLE 47 CANISTER ASSEMBLIES

INDEX	PART NUMBER	DESCRIPTION	QTY
1	6237424	CANISTER ASSEMBLY - COFFE BEAN W/O HINGE PLATE	1
2	6731001	CHANNEL ASSEMBLY - CANISTER SUPPORT	1
3	6737005	CHUTE ASSEMBLY - COFFEE - PRE-GROUND	
4	6367018	CHUTE ASSEMBLY - 2 INGREDIENT	
5	6537024	CANISTER ASSEMBLY - SOUP/6TH PRODUCT (SUGAR SUBSTITUTE OR SOUP OR INTERNATIONAL COFFEE)	1
6	6537023	CANISTER ASSEMBLY - CHOCOLATE	1
7	6237446	CANISTER ASSEMBLY - LIGHTENER	1
8	6537024	CANISTER ASSEMBLY - SUGAR	1
9	6537024	CANISTER ASSEMBLY - INSTANT TEA	1
10	6537022	CANISTER ASSEMBLY - FREEZE DRIED COFFEE	1
11	6537022	CANISTER ASSEMBLY - FREEZE DRIED DECAF COFFEE	1
12	6337023	CANISTER ASSEMBLY - DECAF PRE-GROUND -FRESH BREW	1

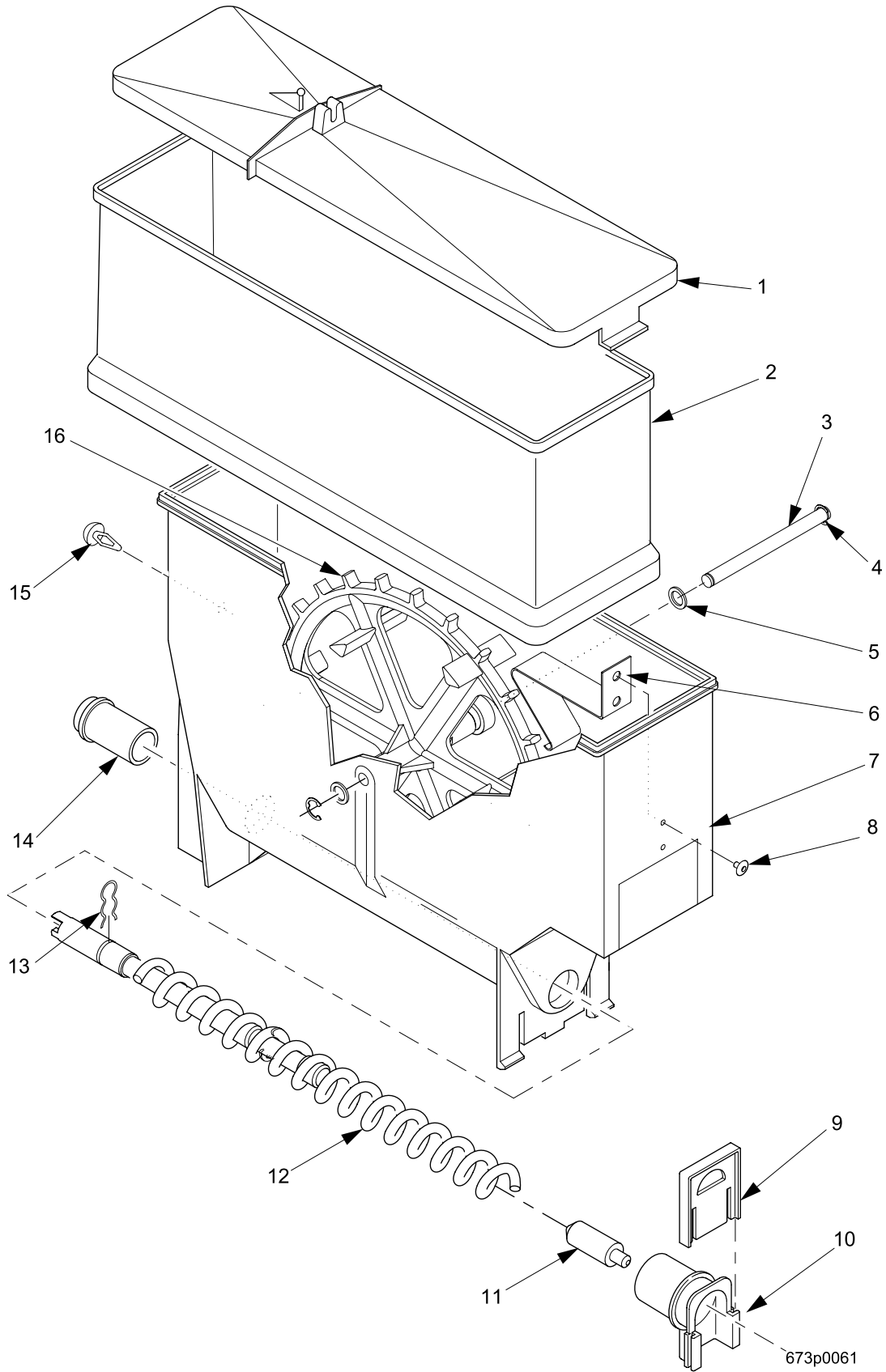
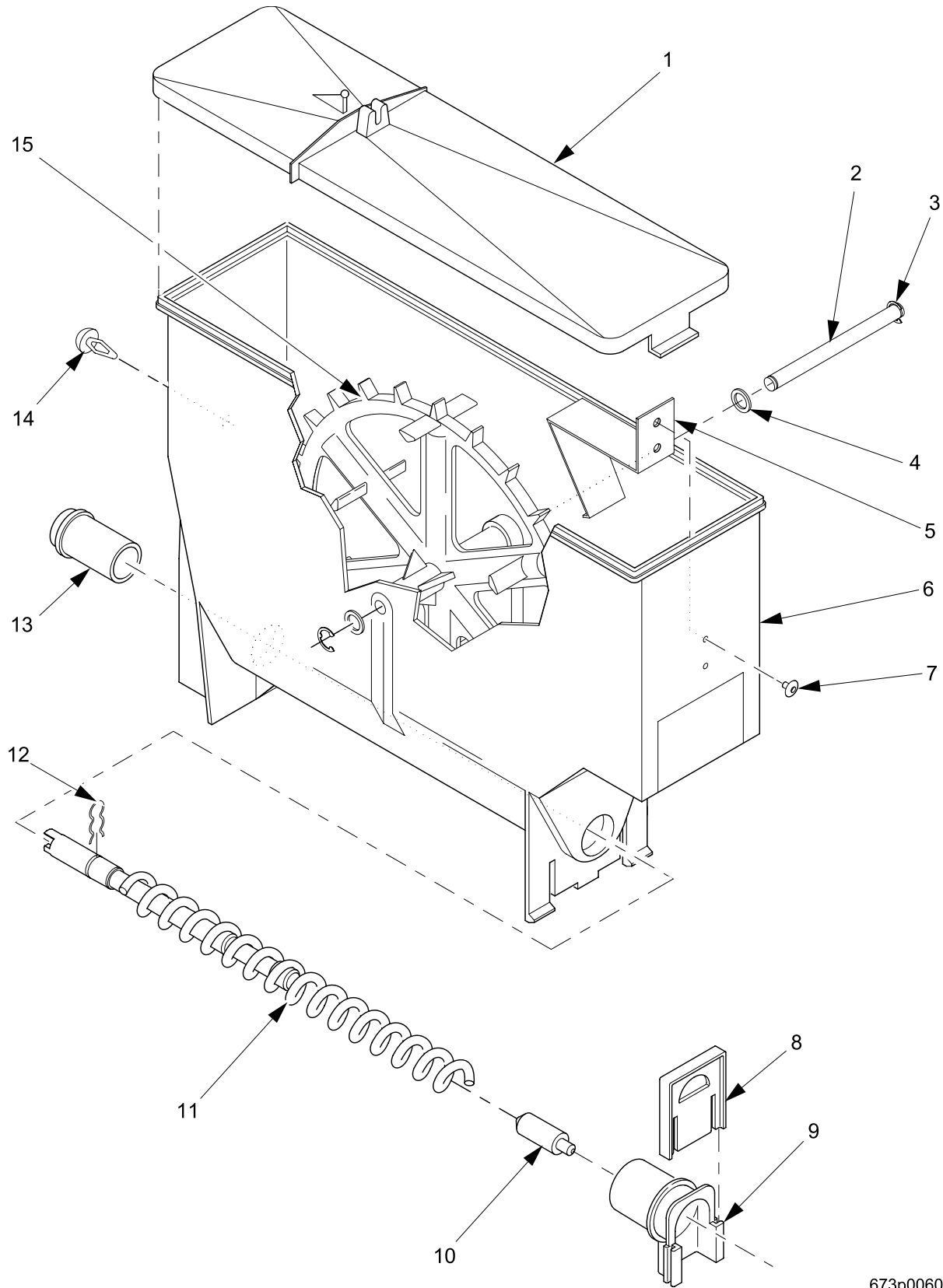


FIGURE 48 CANISTER ASSEMBLY - CHOCOLATE

TABLE 48 CANISTER ASSEMBLY - CHOCOLATE

INDEX	PART NUMBER	DESCRIPTION	QTY
--	6537023	CANISTER ASSEMBLY - CHOCOLATE	--
1	6237023	LID - CANISTER	1
2	6237439	SLEEVE - CANISTER - 4" - 1 RIB	1
3	6237167	SHAFT - CANISTER	1
4	9900415	RETAINING RING REINF E TYP.156	--
5	6237116	WASHER - SEAL - WEAR PLATE	2
6	6237108	SPRING - THUMPER	1
7	6237177	BASE - CANISTER - THUMPER	1
8	6537026	ALUMINUM CAP RIVET - .187 DIA	2
9	6537013	GATE - NOZZLE - PLASTIC	5
10	6537014	NOZZLE - DISPENSING	1
11	6537021	PLUG - AUGER	1
12	6537018	AUGER & SHAFT ASSEMBLY	1
13	6337020	CLIP - SPRING	1
14	6237014	BEARING - CANISTER	1
15	6237053	FASTENER - PUSH IN	1
16	6237181	MIXING WHEEL	1

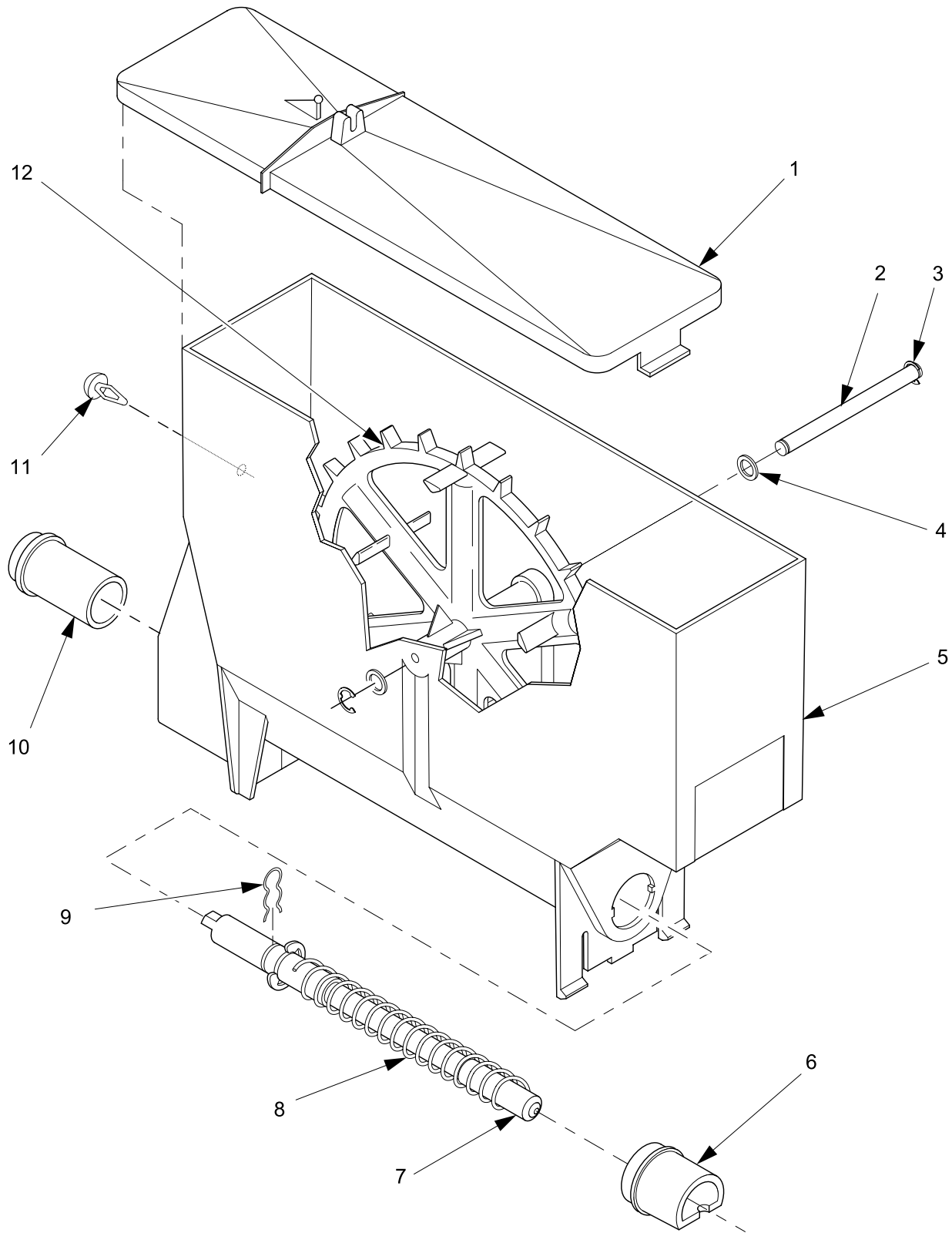


673p0060

FIGURE 49 CANISTER ASSEMBLY - SOUP 6TH PRODUCT

TABLE 49 CANISTER ASSEMBLY - SOUP 6TH PRODUCT

INDEX	PART NUMBER	DESCRIPTION	QTY
--	6537024	CANISTER ASSEMBLY - SOUP/6TH PRODUCT	--
1	6237023	LID - CANISTER	1
2	6237167	SHAFT - CANISTER	1
3	9900415	RETAINING RING REINF E TYP.156	--
4	6237116	WASHER - SEAL - WEAR PLATE	2
5	6237108	SPRING - THUMPER	1
6	6237177	BASE - CANISTER - THUMPER	1
7	6537026	ALUMINUM CAP RIVET - .187 DIA	2
8	6537013	GATE - NOZZLE - PLASTIC	5
9	6537014	NOZZLE - DISPENSING	1
10	6537018	AUGER & SHAFT ASSEMBLY	1
11	6537021	PLUG - AUGER	1
12	6337020	CLIP - SPRING	1
13	6237014	BEARING - CANISTER	1
14	6237053	FASTENER - PUSH IN	1
15	6237181	MIXING WHEEL	1

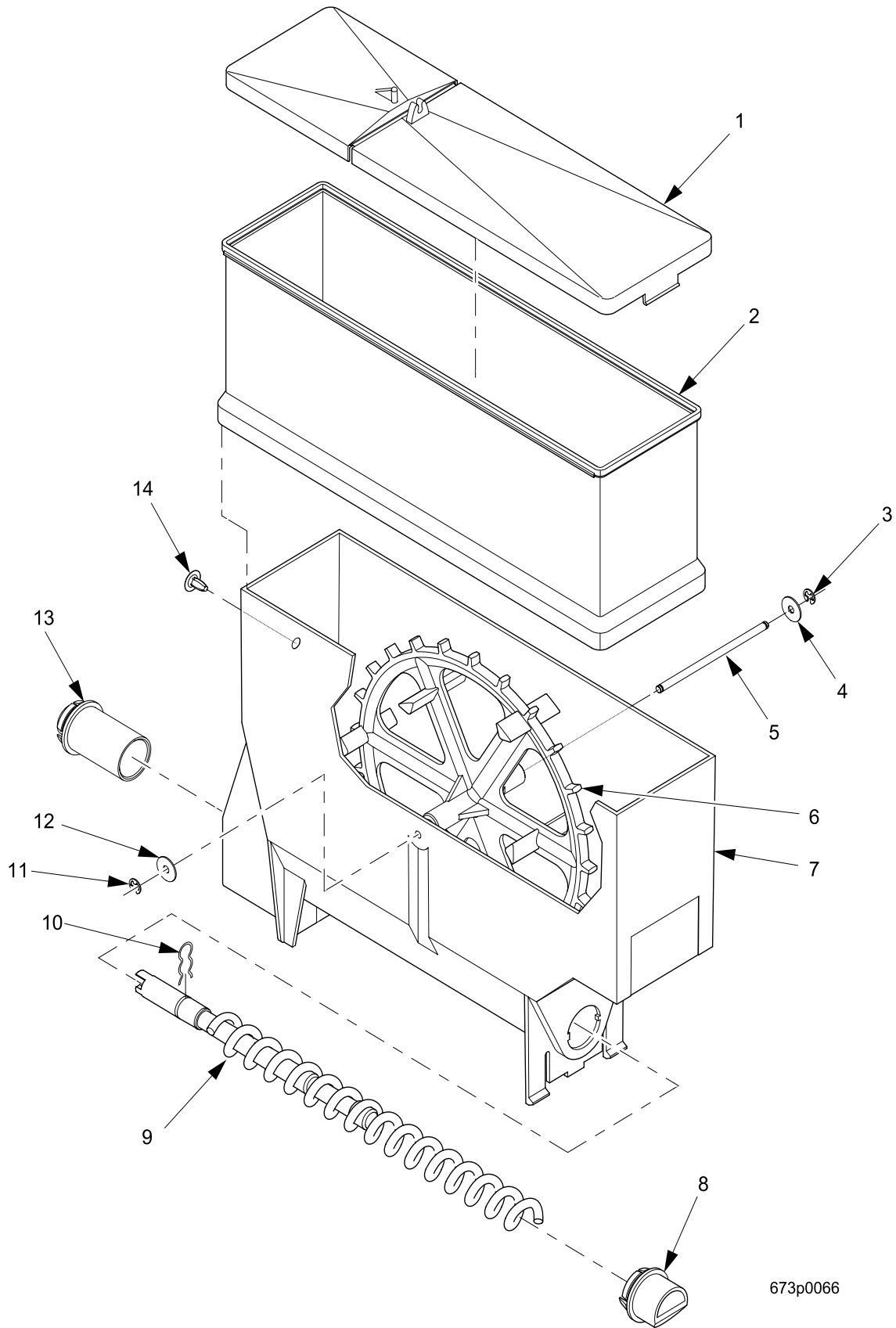


673p0058

FIGURE 50 CANISTER ASSEMBLY - LIGHTENER

TABLE 50 CANISTER ASSEMBLY - LIGHTENER

INDEX	PART NUMBER	DESCRIPTION	QTY
--	6237446	CANISTER ASSEMBLY - LIGHTENER	
1	6237023	LID - CANISTER	1
2	6237167	SHAFT - CANISTER	1
3	9900415	RETAINING RING REINF E TYP.156	--
4	6237116	WASHER - SEAL - WEAR PLATE	2
5	6237176	BASE - CANISTER	1
6	6237106	NOZZLE - DISPENSING - CANISTER	1
7	6237046	PLUG - AUGER	2
8	6237179	AUGER ASSEMBLY - CANISTER	1
9	6337020	CLIP - SPRING	1
10	6237014	BEARING - CANISTER	1
11	6237053	FASTENER - PUSH IN	1
12	6237181	MIXING WHEEL	1

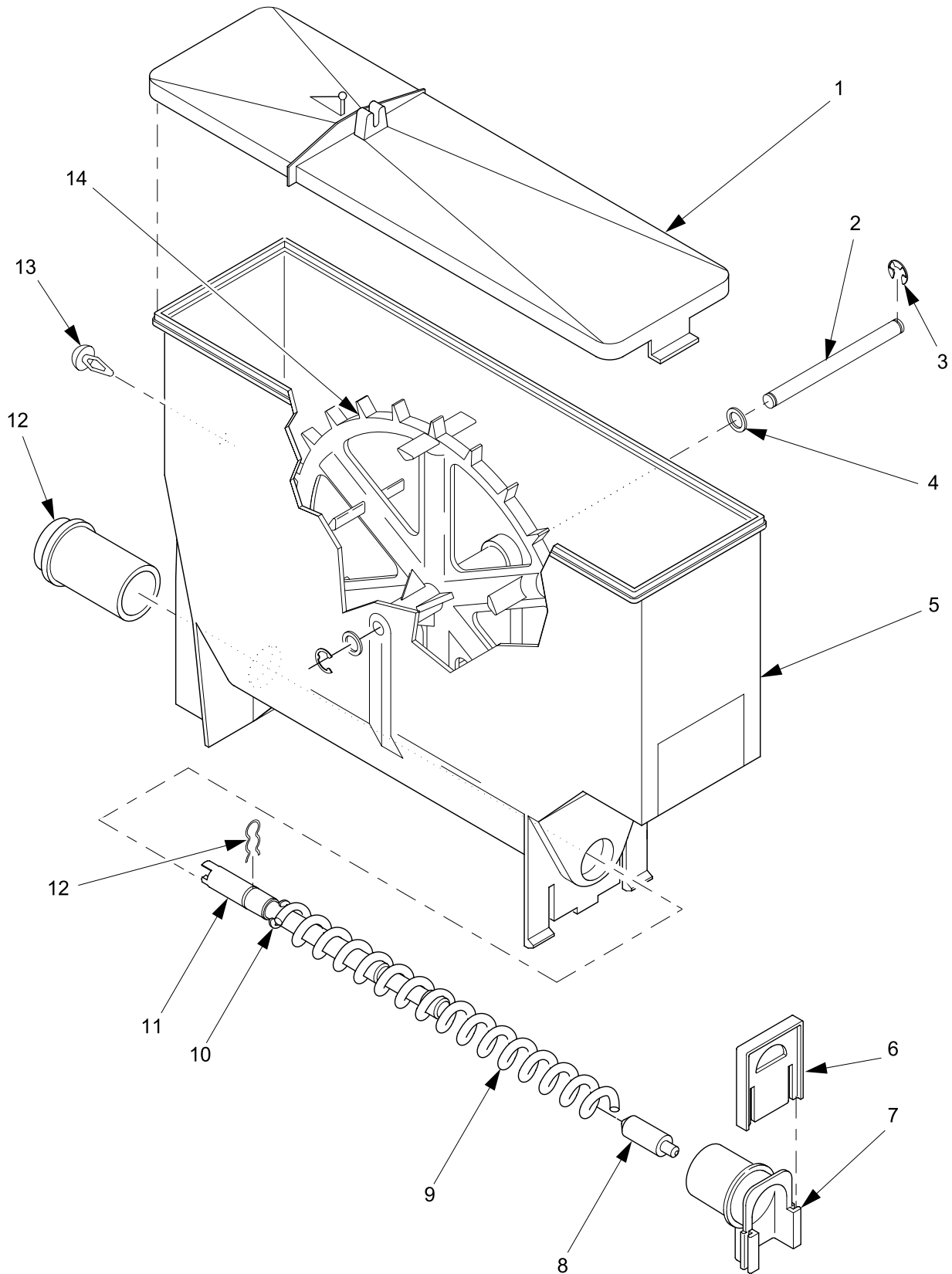


673p0066

FIGURE 51 CANISTER ASSEMBLY - 1 SLEEVE

TABLE 51 CANISTER ASSEMBLY - 1 SLEEVE

INDEX	PART NUMBER	DESCRIPTION	QTY
--	6537025	CANISTER ASSEMBLY - 1 SLEEVE - W/MIXING	--
1	6237023	LID - CANISTER	1
2	6237008	CANISTER SLEEVE - 4 IN.	1
3	9900415	RETAINING RING REINF E TYP.156	--
4	6237116	WASHER - SEAL - WEAR PLATE	2
5	6237167	SHAFT - CANISTER	1
6	6237181	MIXING WHEEL	1
7	6237176	BASE - CANISTER	1
8	6237063	NOZZLE - DISPENSING - CANISTER	2
9	6537018	AUGER - CANISTER	1
10	6337020	CLIP - SPRING	1
11	9900415	RETAINING RING REINF E TYP.156	--
12	6237116	WASHER - SEAL - WEAR PLATE	2
13	6237014	BEARING - CANISTER	1
14	6237053	FASTENER - PUSH IN	1

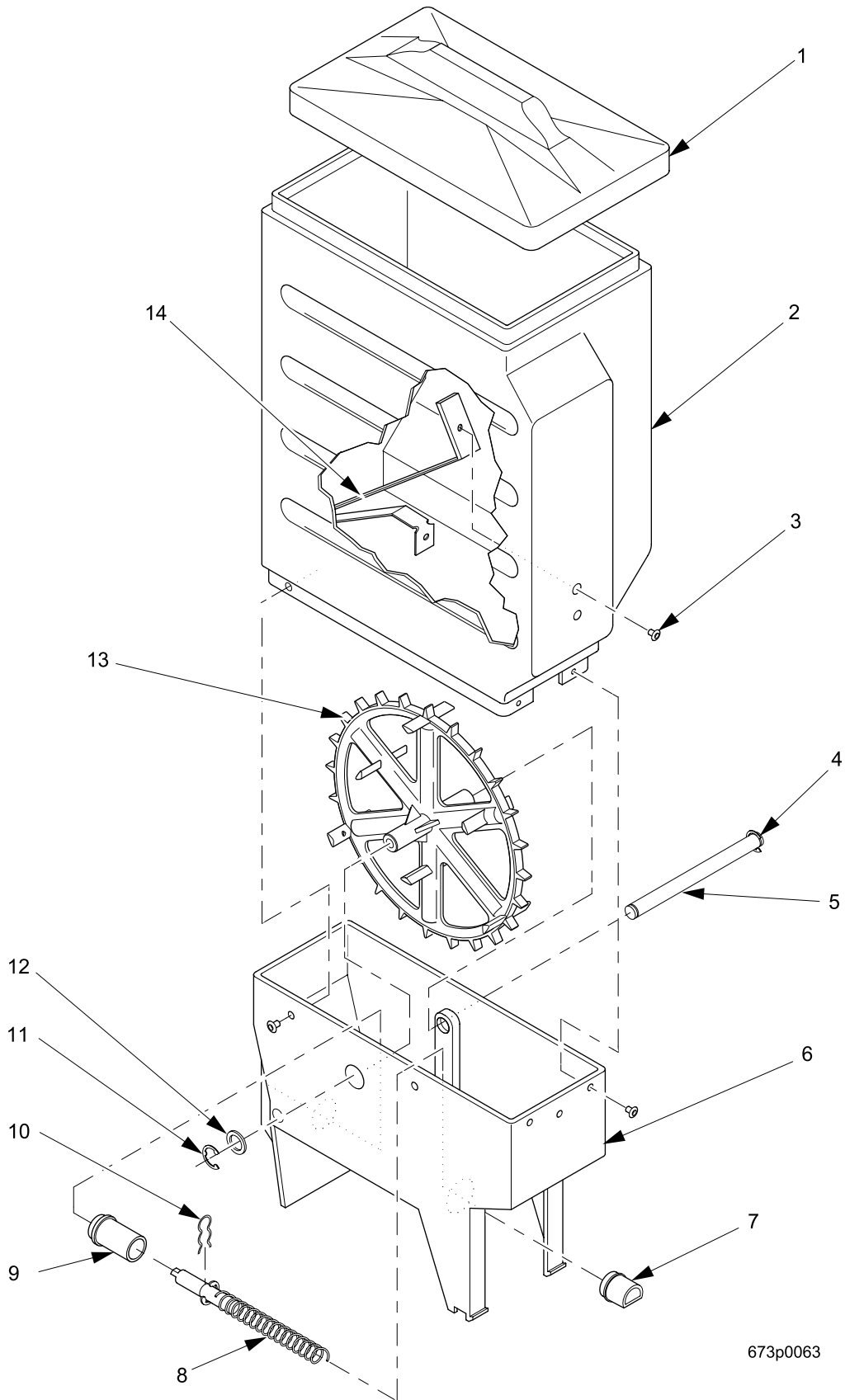


673p0062

FIGURE 52 CANISTER ASSEMBLY - FREEZE DRIED COFFEE

TABLE 52 CANISTER ASSEMBLY - FREEZE DRIED COFFEE

INDEX	PART NUMBER	DESCRIPTION	QTY
--	6537022	CANISTER ASSEMBLY - FREEZE DRIED COFFEE	--
1	6237023	LID - CANISTER	1
2	6237167	SHAFT - CANISTER	1
3	9900415	RETAINING RING REINF E TYP.156	--
4	6237116	WASHER - SEAL - WEAR PLATE	2
5	6237176	BASE - CANISTER	1
6	6537013	GATE - NOZZLE - PLASTIC	5
7	6537014	NOZZLE - DISPENSING	1
--	6537027	PLUG & AUGER ASSEMBLY	1
8	6537021	PLUG - AUGER	1
9	6537018	AUGER - CANISTER	1
10	6337020	CLIP - SPRING	1
11	6237014	BEARING - CANISTER	1
12	6237053	FASTENER - PUSH IN	1
13	6237181	MIXING WHEEL	1

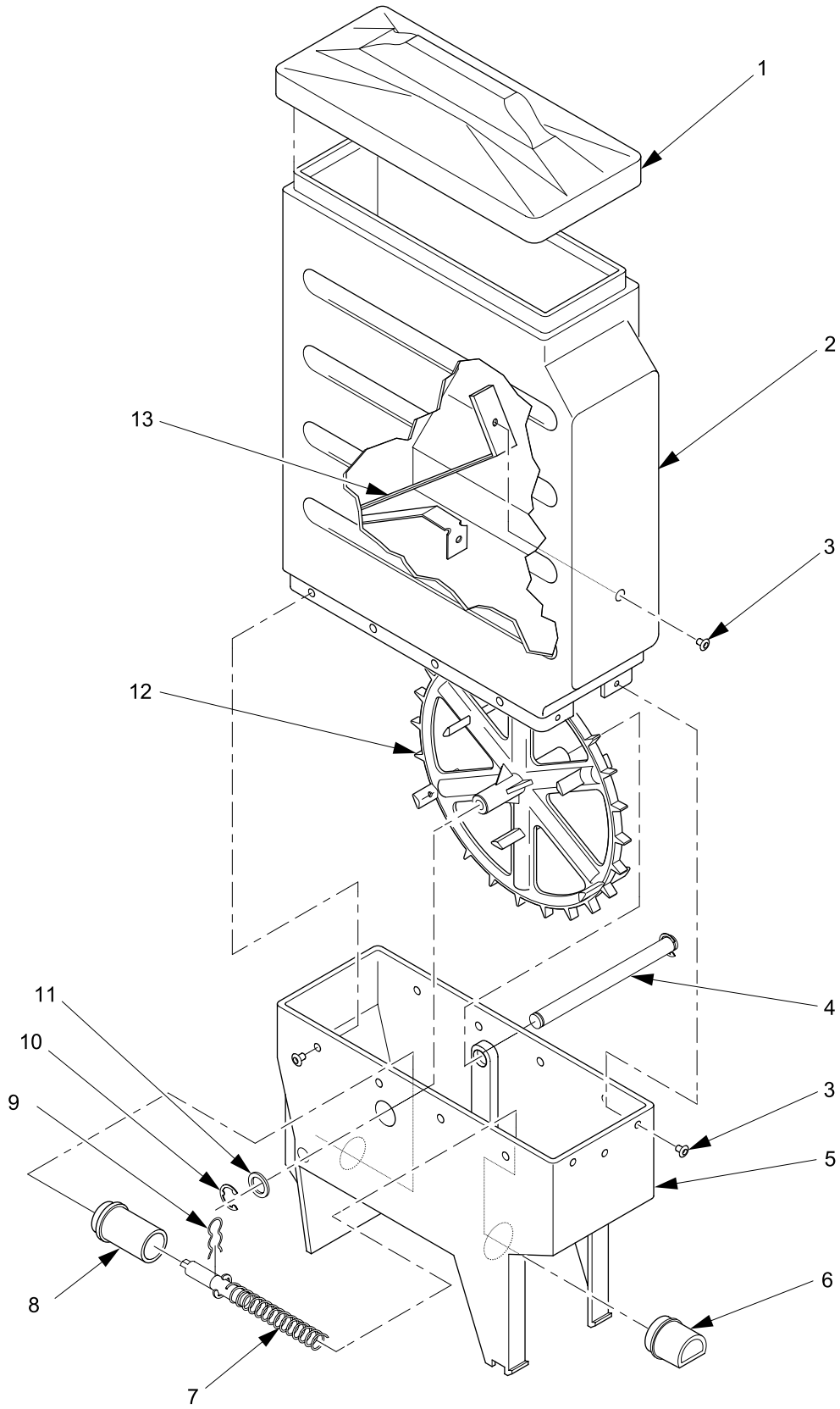


673p0063

FIGURE 53 CANISTER ASSEMBLY - COFFEE PRE-GROUND

TABLE 53 CANISTER ASSEMBLY - COFFEE PRE-GROUND

INDEX	PART NUMBER	DESCRIPTION	QTY
--	6337022	CANISTER ASSEMBLY - COFFEE PRE - GROUND	--
1	6237066	LID - CANISTER - COFFEE	1
2	6337024	SLEEVE - CANISTER - PUNCHED - P/GROUND COFFEE	1
3	6537026	ALUMINUM CAP RIVET - .187 DIA	13
4	9900415	RETAINING RING REINF E TYP.156	--
5	6337032	SHAFT - CANISTER - COFFEE	1
6	6337021	CANISTER BASE - FRESH BREW COFFEE	1
7	6237063	NOZZLE - DISPENSING - CANISTER	2
8	6237095	AUGER & SHAFT ASSEMBLY - COFFEE	1
9	6237014	BEARING - CANISTER	1
10	6337020	CLIP - SPRING	1
11	9900415	RETAINING RING REINF E TYP.156	--
12	6237116	WASHER - SEAL - WEAR PLATE	2
13	6337030	MIXING WHEEL ASSEMBLY - FRESH BREW COFFEE	--
14	6237020	THUMPER SPRING - GROUND COFFEE	1



673p0064

FIGURE 54 CANISTER ASSEMBLY - DECAFFEINATED PRE-GROUND

TABLE 54 CANISTER ASSEMBLY - DECAFFEINATED PRE-GROUND

INDEX	PART NUMBER	DESCRIPTION	QTY
--	6337023	CANISTER ASSEMBLY - DECAF PRE-GROUND	--
1	6237069	LID - CANISTER - DECAF COFFEE	1
2	6337025	SLEEVE - CANISTER - PUNCHED - PRE-GROUND DECAF	1
3	6537026	ALUMINUM CAP RIVET-.187 DIA	12
4	6337032	SHAFT - CANISTER - COFFEE	1
5	6337021	CANISTER BASE - FRESH BREWED COFFEE	1
6	6237063	NOZZLE - DISPENSING - CANISTER	1
7	6237095	AUGER & SHAFT ASSEMBLY - COFFEE	1
8	6237014	BEARING - CANISTER	1
9	6337020	CLIP - SPRING	1
10	9900415	RETAINING RING REINF E TYP.156	--
11	6237116	WASHER - SEAL - WEAR PLATE	2
12	6337030	MIXING WHEEL ASSEMBLY - FRESH BREW COFFEE	--
13	6237020	THUMPER SPRING - GROUND COFFEE	1

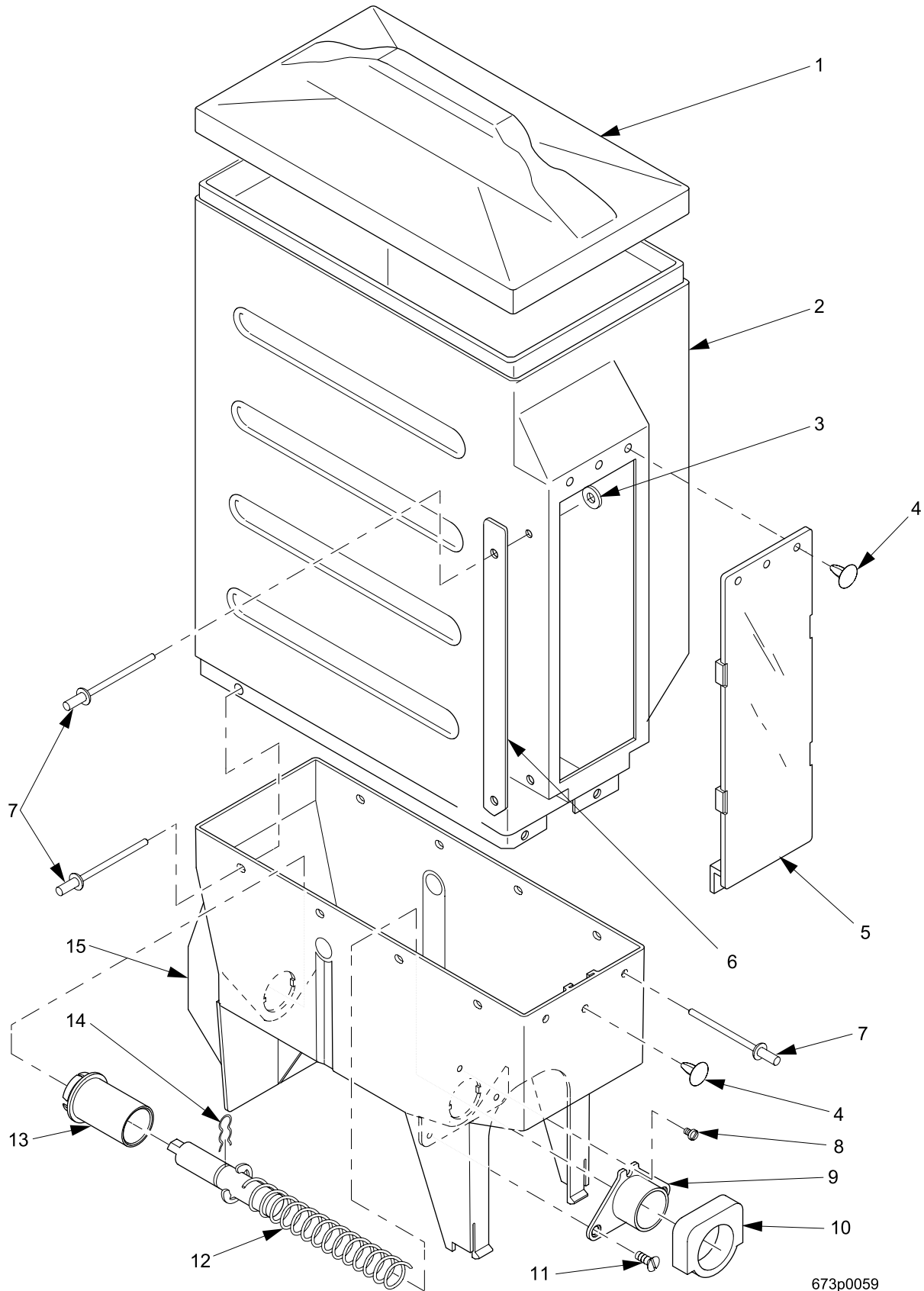


FIGURE 55 CANISTER ASSEMBLY - COFFEE BEAN

TABLE 55 CANISTER ASSEMBLY - COFFEE BEAN

INDEX	PART NUMBER	DESCRIPTION	QTY
--	6237424	CANISTER ASSEMBLY - COFFEE BEAN W/O	
1	6237066	LID - CANISTER - COFFEE	1
2	6237065	SLEEVE - CANISTER - COFFEE BEAN	1
3	5220042	NYLON WASHER	4
4	6237053	FASTENER - PUSH IN	1
5	6237087	WINDOW INSERT - COFFEE BEAN CANISTER	1
6	6237518	STIFFENER - HINGE PLATE	1
7	6537026	CLIP - SPRING	10
8	6237049	SCREW - #8-16X.25 - SLTD - PHS	3
9	6237031	NOZZLE - COFFEE BEAN	1
10	6237288	GASKET - GRINDER	1
11	6237050	SCREW - #8-16X.44-SLTD - FLHD	2
12	6237095	AUGER & SHAFT ASSEMBLY - COFFEE	1
13	6237014	BEARING - CANISTER	1
14	6337020	CLIP - SPRING19	1
15	6237062	CANISTER BASE - COFFEE	1

TABLE 55A: CANISTER ASSEMBLY - DECAF BEAN (NOT SHOWN)

INDEX	PART NUMBER	DESCRIPTION	QTY
--	6237421	CANISTER ASSEMBLY - DECAF BEAN	--
1	6237069	LID - CANISTER - DECAF COFFEE	1
2	6237068	SLEEVE - CANISTER - DECAF COFFEE BEAN	1
3	6237517	HINGE PLATE - BEAN WINDOW	4
4	6237053	FASTENER - PUSH IN	1
5	6237087	WINDOW INSERT - COFFEE BEAN CANISTER	1
6	6237518	STIFFENER - HINGE PLATE	1
7	6337020	CLIP - SPRING	10
8	6237049	SCREW - #8-16X.25 - SLTD - PHS	1
9	6237031	NOZZLE - COFFEE BEAN	1
10	6237288	GASKET - GRINDER	1
11	6237050	SCREW - #8-16X.44 - SLTD - FLHD	2
12	6237095	AUGER & SHAFT ASSEMBLY - COFFEE	1
13	6237014	BEARING - CANISTER	1
14	6337020	CLIP - SPRING19	1
15	6237064	CANISTER BASE - BEAN	1

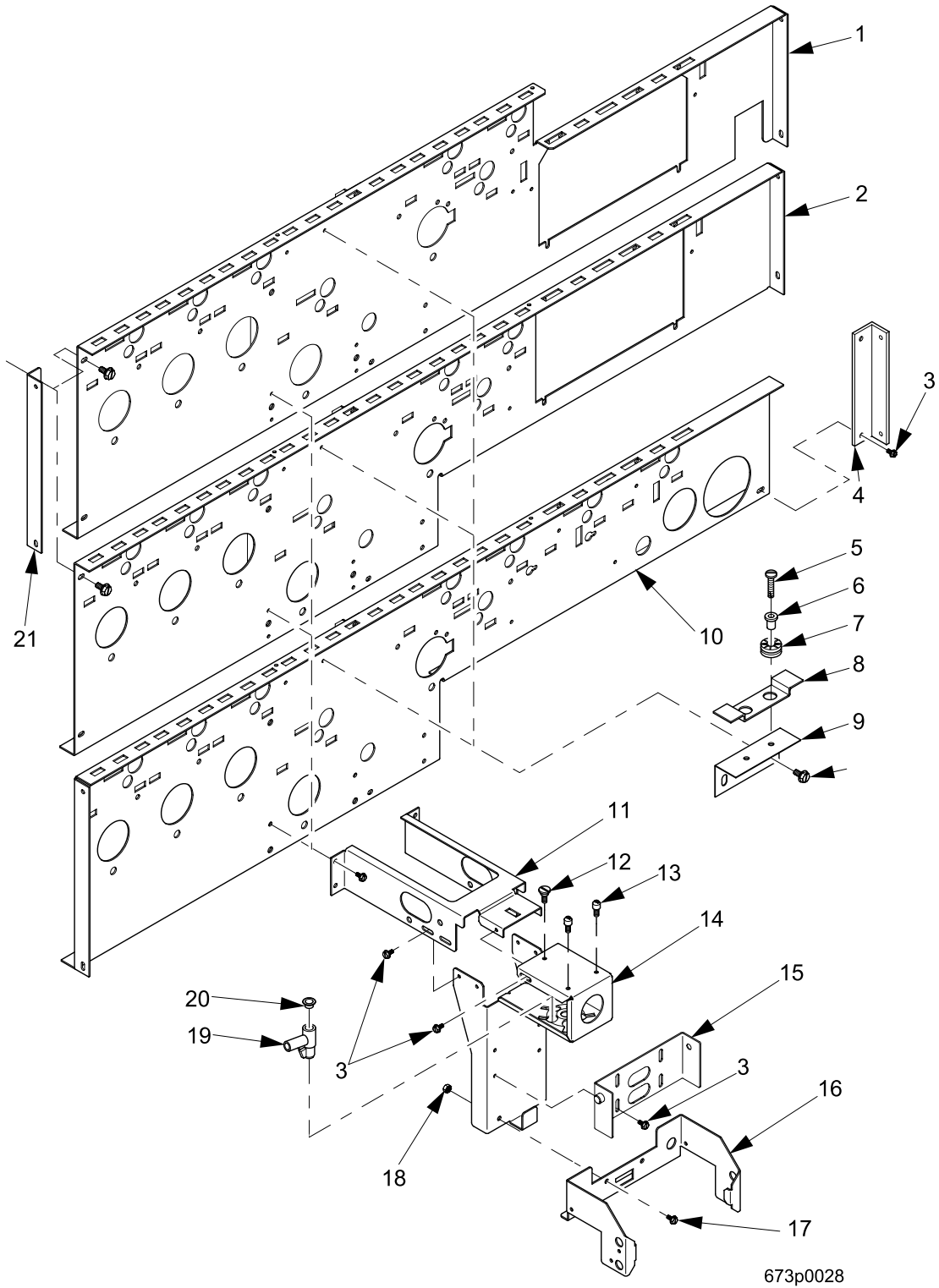


FIGURE 56 CANISTER SUPPORT ASSEMBLY - CUP STATION

TABLE 56 CANISTER SUPPORT ASSEMBLY - CUP STATION

INDEX	PART NUMBER	DESCRIPTION	QTY
1	6731005	CHNL.W/A - CANISTER SUPPORT - DUAL GRD.	1
2	6731001	CHANNEL ASSEMBLY - CANISTER SUPPORT	1
3	1451097	SCREW - #8 - 32X.31 HEX HD.TF - BLACK	8
4	6231033	BRACKET - CANISTER SUPPORT	1
5	3102447	8 - 32 X 3/4 PHS TYPE 23 T/C ZN	2
6	6237170	BUSHING - CANISTER	2
7	6237356	VIBRATION ISOLATOR - .375 DIA	2
8	6237174	SUPPORT - CANISTER FRONT	1
9	6337058	BRACKET - CANISTER FRONT	1
10	6551002	CHANNEL WELD ASSEMBLY - CANISTER SUPPORT	1
11	6738002	SUPPORT - CUP STATION	1
12	4247204	STUD - STORAGE TRAY OPTIONAL (SEE FIGURE 57)	1
13	4041102	STUD - COLUMN LOCATOR OPTIONAL (SEE FIGURE 57)	2
14	6738001	SUPPORT - CUP STATION	1
15	3281074	MOUNTING ASSEMBLY - CUP STATION OPTIONAL (SEE FIGURE 58)	1
16	3281085	BRACKET - IR REMOTE	1
17	1170206	SCREW - #8-32X3/8 PHILLIPS TRUSS HD. BLACK	2
18	9900081	NUT #8-32 KEPS ZINC PLATE	--
19	6117010	SPOUT DISPENSING	6
20	4711020	CAPLUG - SPOUT - NATURAL	6
21	6731007	BRACKET - CANISTER SUPPORT - LEFT	1

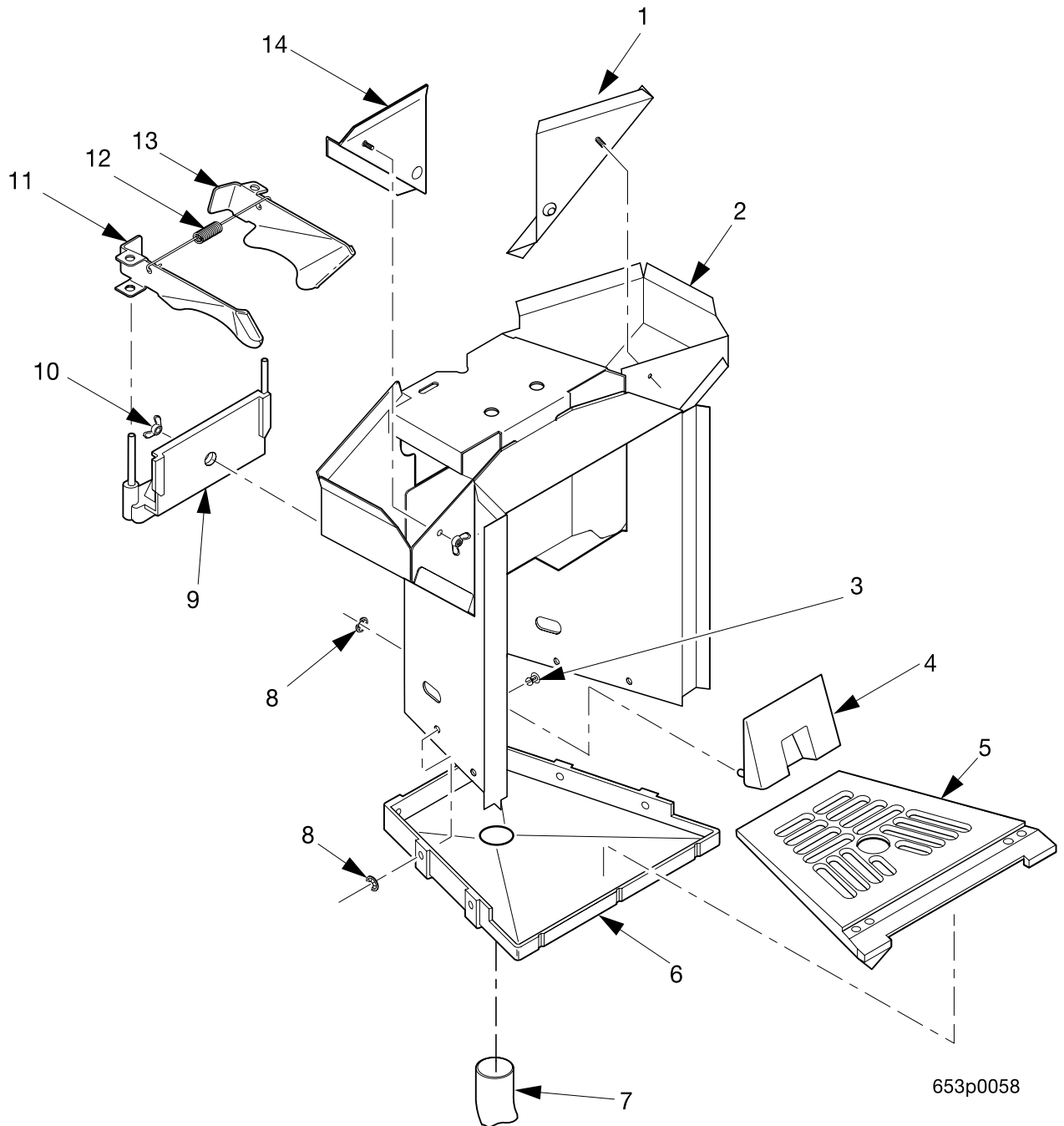


FIGURE 57 CUP DELIVERY ASSEMBLY FOR 7 THRU 12 OZ CUPS

TABLE 57 CUP DELIVERY ASSEMBLY FOR 7 THRU 12 OZ CUPS

INDEX	PART NUMBER	DESCRIPTION	QTY
--	6231544	CUP DELIVERY ASSEMBLY - SV	1
1	6231413	CHUTE ADAPTER ASSEMBLY - RIGHT (ARG./AUS./BRZ./FR./MEX./N.Z./S.A./SP./U.K./U.S.)	1
2	6231545	WELD ASSEMBLY - CUP DELIVERY - SV	1
3	6231492	PUSH - IN FASTENER	6
4	6231443	CUP SPACER/SENSOR LENS	1
5	6231432	DRAIN TRAY	1
6	6231489	BASE - CUP DELIVERY STATION	1
7	6231430	TUBE - DRAIN	1
8	6231431	RETAINER - .188	10
9	6231488	MOUNTING ASSEMBLY - CUP DEFLECTOR	1
10	3103133	WING NUT - #8-32 STAINLESS	1
11	6231438	CUP DEFLECTOR - R.H.	1
12	6231495	SPRING - CUP DEFLECTOR	1
13	6231439	CUP DEFLECTOR - L.H.	1
14	6231411	CHUTE ADAPTER ASSEMBLY - LEFT (ARG./AUS./BRZ./FR./MEX./N.Z./S.A./SP./U.K./U.S.)	1

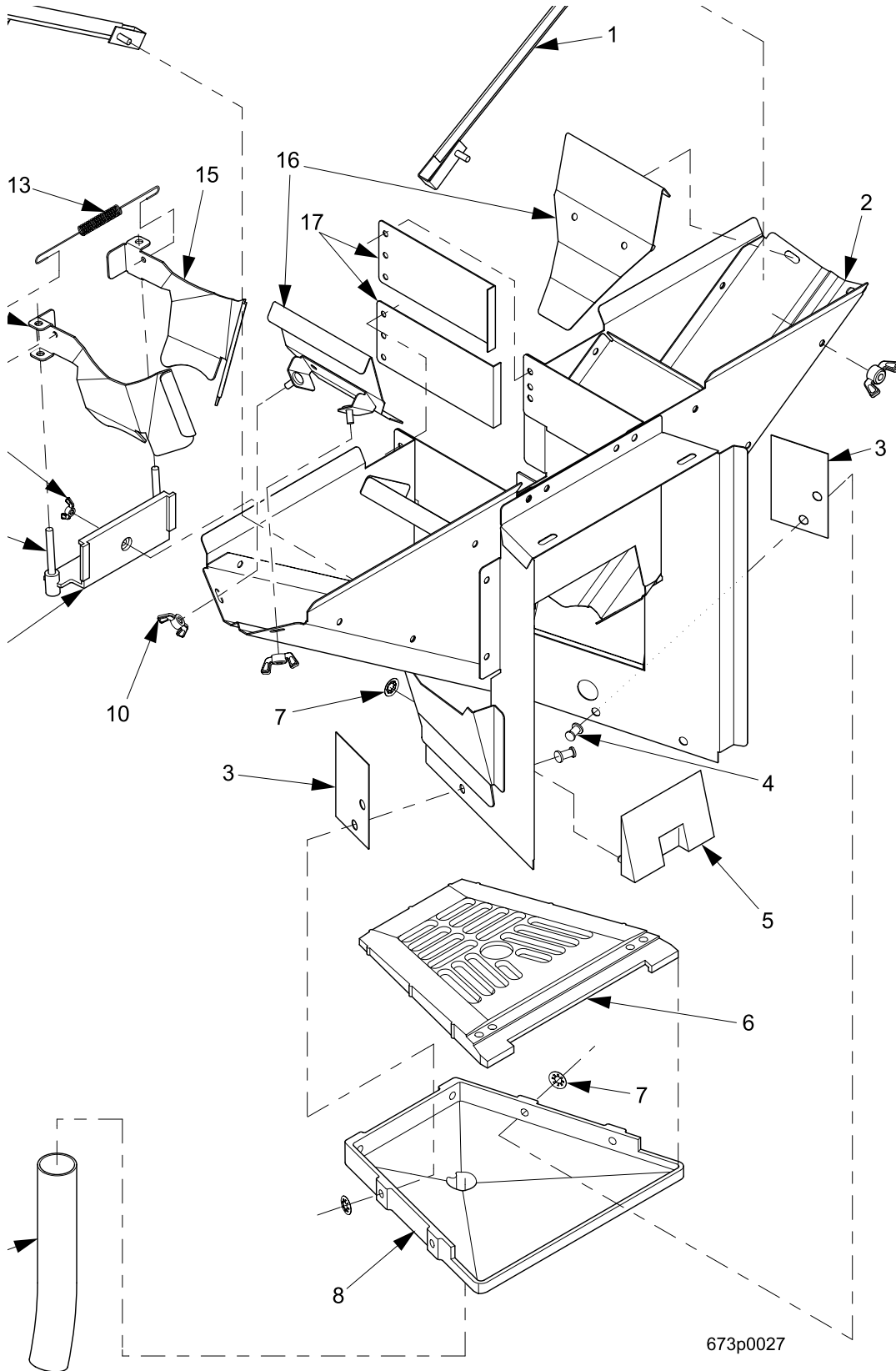
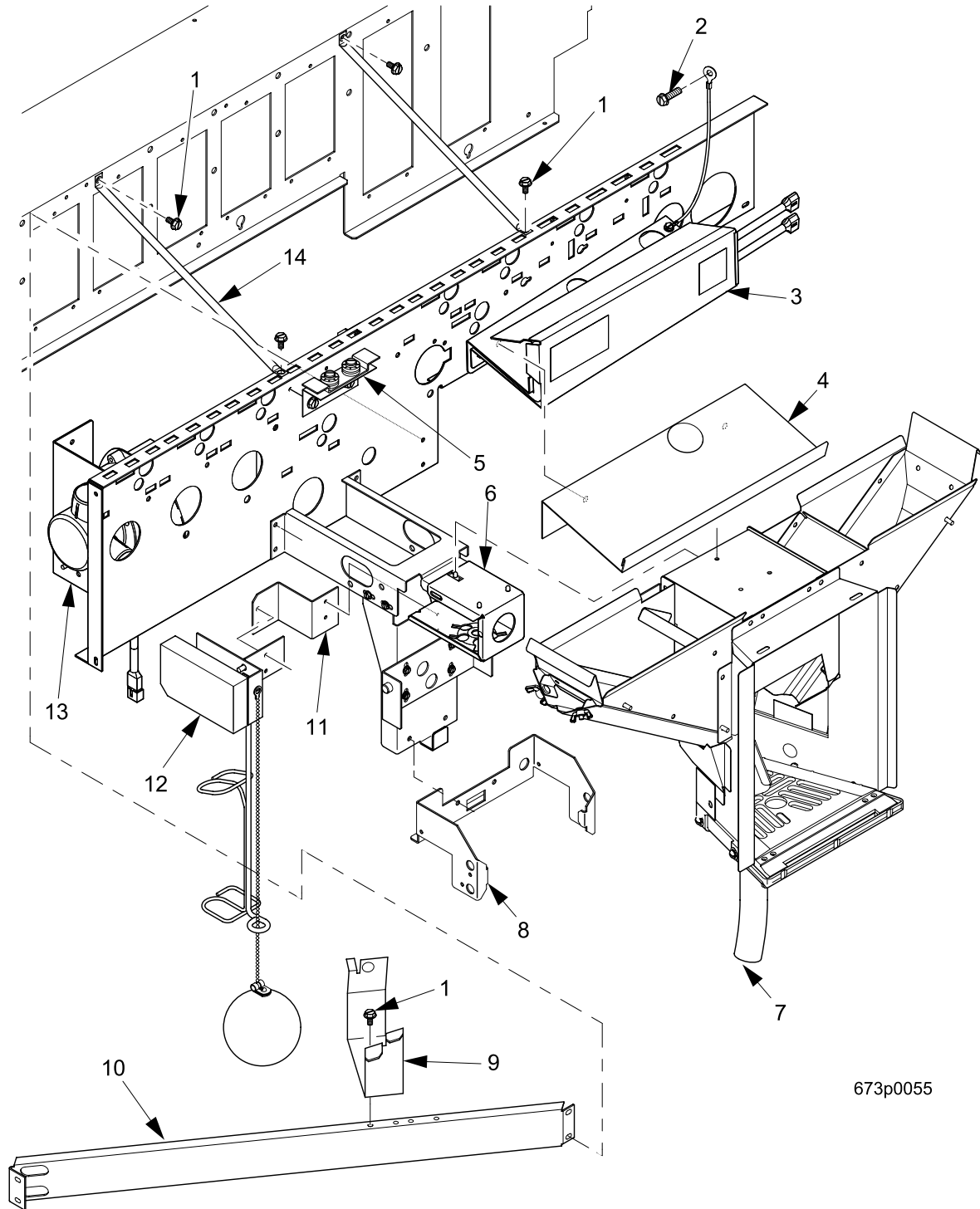


FIGURE 58 CUP DELIVERY ASSEMBLY FOR 12 THRU 20 OZ CUPS - SUREVEND

TABLE 58 CUP DELIVERY ASSEMBLY FOR 12 THRU 20 OZ CUPS - SUREVEND

INDEX	PART NUMBER	DESCRIPTION	QTY
1	6731045	GUIDE - CUP - CUPSTATION - LEFT	1
2	6231545	WELD ASSEMBLY - CUP DELIVERY - SV	1
3	3281084	GUARD - IR SPLASH	2
4	6231492	PUSH - IN FASTENER - CUP DELIVERY	8
5	6231443	CUP SPACER/SENSOR LENS	1
6	6231432	DRAIN TRAY - CUP DELIVERY COMP.	1
7	6231431	RETAINER - .188 - CUP DELIVERY	10
8	6231489	BASE - CUP DELIVERY STATION	1
9	6231430	TUBE - DRAIN	1
10	3103133	WING NUT - #8-32 STAINLESS	9
11	6231488	MOUNTING ASSEMBLY - CUP DEFLECTOR	1
12	3283053	CUP DEFLECTOR - LEFT	1
13	6231495	SPRING - CUP DEFLECTOR	1
14	6731044	GUIDE - CUP - CUPSTATION - RIGHT	1
15	3283054	CUP DEFLECTOR - RIGHT	1
16	3283055	DEFLECTOR ASSEMBLY - CHUTE	2
17	6731030	SPACER - ADJUSTABLE	1

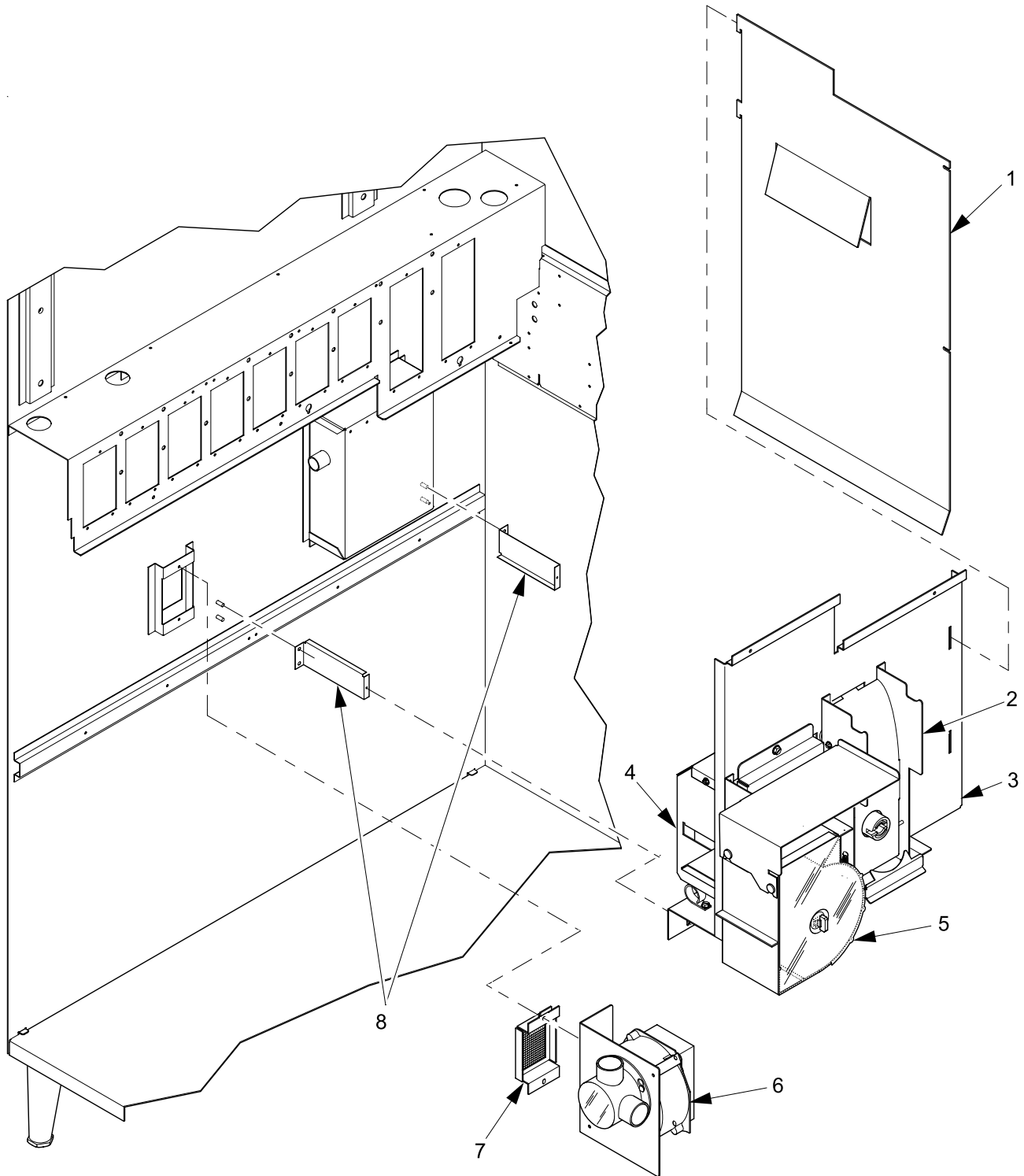


673p0055

FIGURE 59 CUP DELIVERY STATION AND MISCELLANEOUS CABINET PARTS

TABLE 59 CUP DELIVERY STATION AND MISCELLANEOUS CABINET PARTS

INDEX	PART NUMBER	DESCRIPTION	QTY
1	1451097	SCREW - #8-32X.31 HEX HD.TF - BLACK	--
2	3157060	SCREW - #8-32 X .31 HEX W/ HD. S	3
3	6361051	HEATER ASSEMBLY - 115V/50W (FOR FREEZE DRIED MODEL 675 ONLY)	--
4	6351005	BRACKET - TUBING RETAINER	1
5	6337057	CANISTER SUPPORT ASSEMBLY - LIGHTNER	1
6	6731047	SUPPORT ASSEMBLY - CUP STATION	1
7	6731025	CUP DELIVERY ASSEMBLY FOR 12 THRU 20 OZ CUPS	1
8	3281085	BRACKET - IR REMOTE	1
9	6331009	BRACE - CANISTER SUPPORT - FRESH BREW ONLY	1
10	6341007	BRACE - CANISTER SUPPORT	1
11	6738003	MOUNTING - OVERFLOW SWITCH ASSEMBLY	1
12	6231223	OVERFLOW SWITCH ASSEMBLY	--
13	6331089	BRACKET BLOWER & COVER ASSEMBLY - 110V	1
14	6231516	BRACE - CANISTER SUPPORT - UPPER	2



673p0069

FIGURE 60 FILTER PAPER AND BLOWER ASSEMBLY

TABLE 60 FILTER PAPER AND BLOWER ASSEMBLY

INDEX	PART NUMBER	DESCRIPTION	QTY
1	6731008	SHIELD - WATER - BREWER	1
2	6734024	BREWER DRIVE ASSEMBLY	1
3	6734008	PANEL - BREWER MOUNTING (SEE FIGURE 62)	1
4	6734025	PUMP ASSEMBLY - FINAL - 115V	1
5	6404112	FILTER PAPER HOUSING ASSEMBLY	1
6	6331089	BRACKET, BLOWER & COVER ASSEMBLY - 110V	1
7	1471054	BRACKET & SCREEN ASSEMBLY - EXHAUST	1
8	6234516	BRACKET - MOUNTING PLATE NOTE: USED ONLY WITH DUAL GRINDER	2

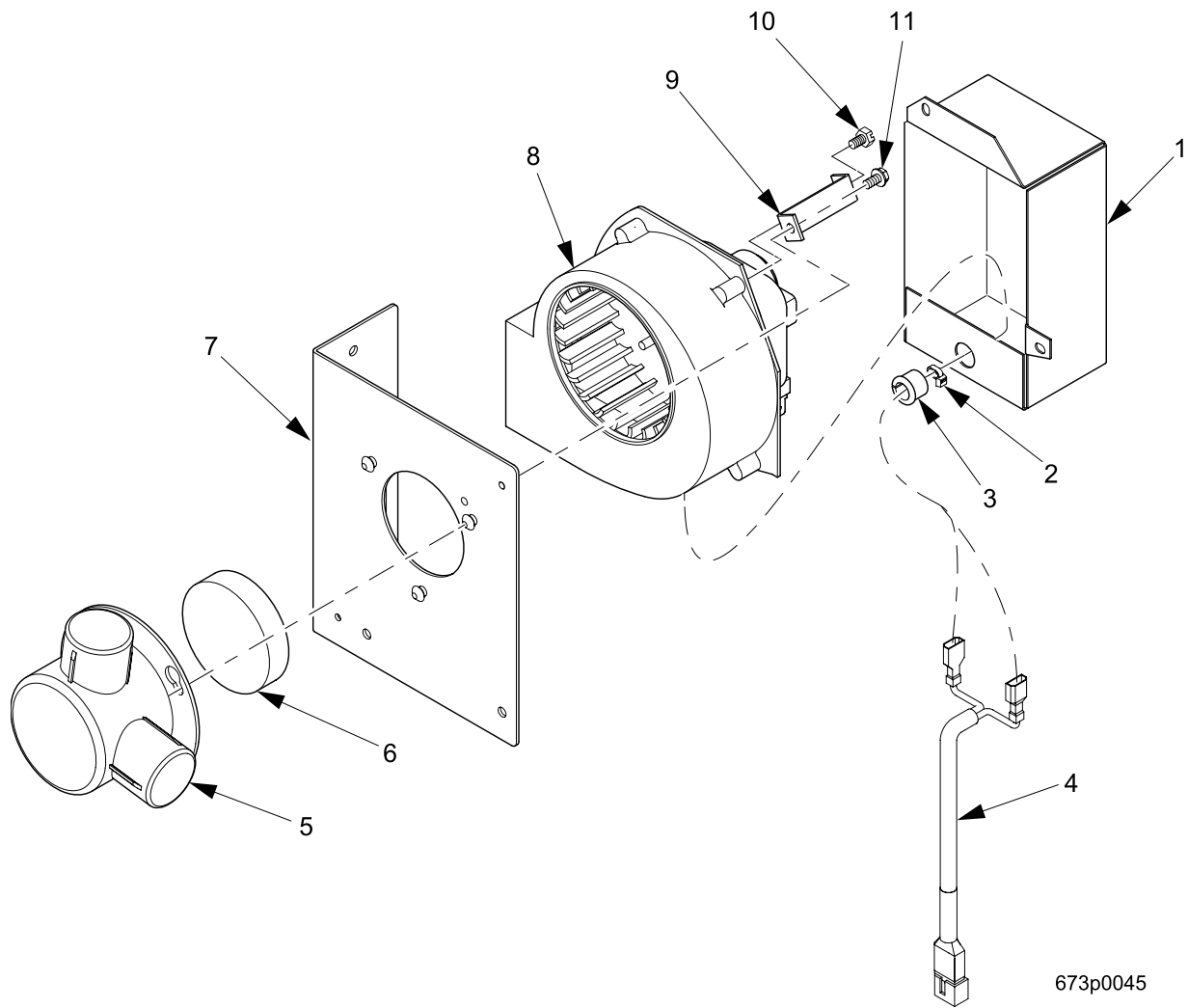
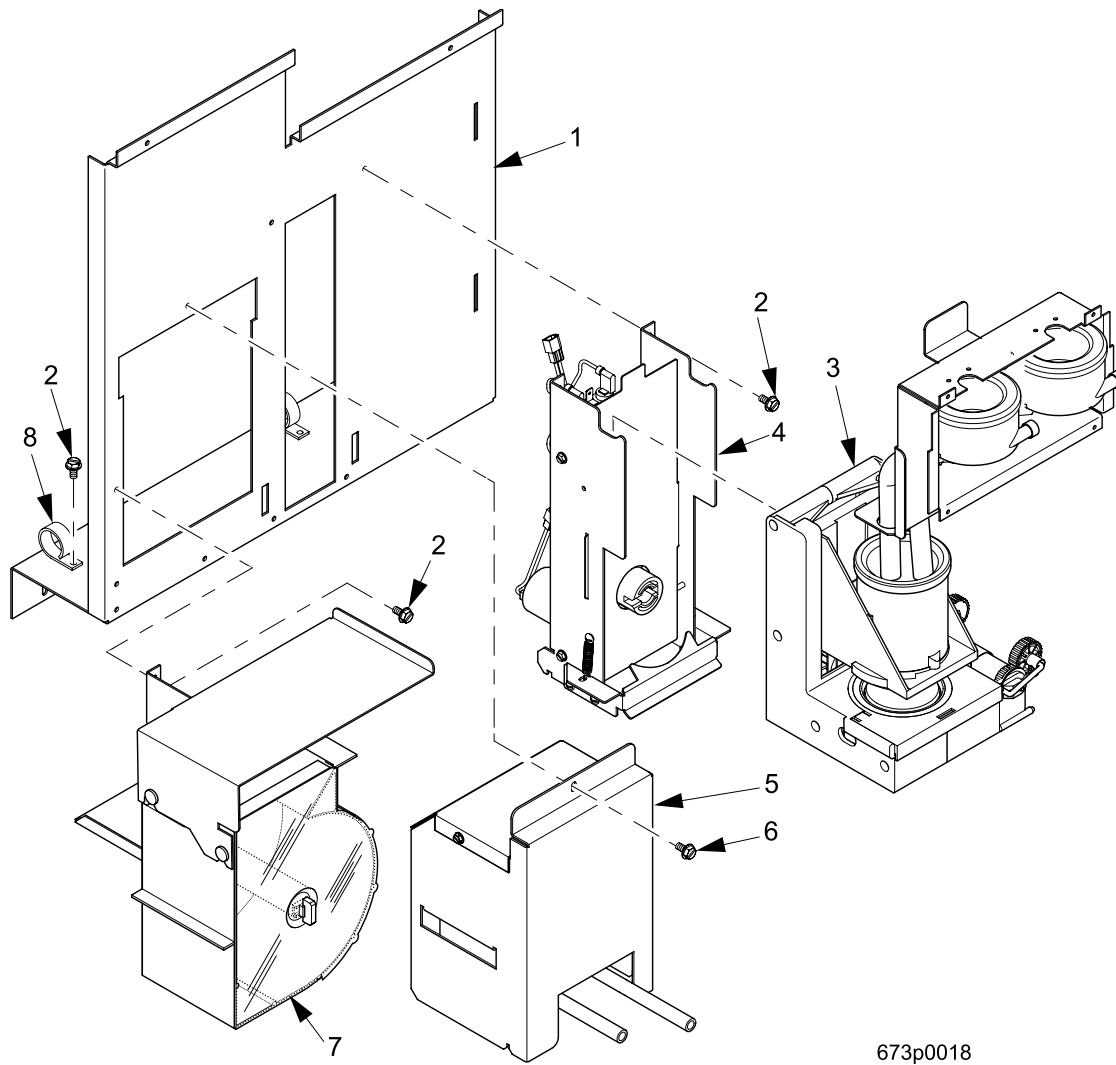


FIGURE 61 BRACKET, BLOWER, AND COVER ASSEMBLY

TABLE 61 BRACKET, BLOWER, AND COVER ASSEMBLY

INDEX	PART NUMBER	DESCRIPTION	QTY
1	6231074	GUARD - BLOWER MOTOR	1
2	2204513	WIRE TIE - #PLT 1.5IM	1
3	3502097	BUSHING #OCB - 500	1
4	9989676	JUMPER - BLOWER	1
5	6237342	HOUSING - EXHAUST BLOWER	1
6	6237340	FILTER - EXHAUST BLOWER	1
7	6231550	BRACKET ASSEMBLY - BLOWER MOUNTING	1
8	4312210	BLOWER ASSEMBLY - 120V	1
9	6231553	TIE DOWN - BLOWER ASSEMBLY	2
10	1437204	SCREW - #8-10X.38 HEX HD.TFG	--
11	1451097	SCREW - #8-32X.31 HEX HD.TF - BLACK	--



673p0018

FIGURE 62 FILTER PAPER - PUMP/BREWER DRIVE (LOCATION)

TABLE 62 FILTER PAPER - PUMP/BREWER DRIVE (LOCATION)

INDEX	PART NUMBER	DESCRIPTION	QTY
1	6734008	PANEL - BREWER MOUNTING	1
2	1451097	SCREW - #8-32X.31 HEX HD.TF - BLK.	8
3	6734065	BREWER ASSEMBLY - WITH FILTER (SEE FIGURE 43), (SEE FIGURE 66), (SEE FIGURE 67), AND (SEE FIGURE 48)	1
4	6734024	BREWER DRIVE ASSEMBLY (SEE FIGURE 65)	1
5	6734025	PUMP ASSEMBLY - FINAL - 115V (SEE FIGURE 64)	1
6	3157060	SCREW - #8-32 X .31 HEX W/ HD. SLOTTED - T/F - ZINC PL	1
7	6404112	FILTER PAPER HOUSING ASSEMBLY (SEE FIGURE 63)	1
8	4305043	HARNESS CLIP - 1.00	2

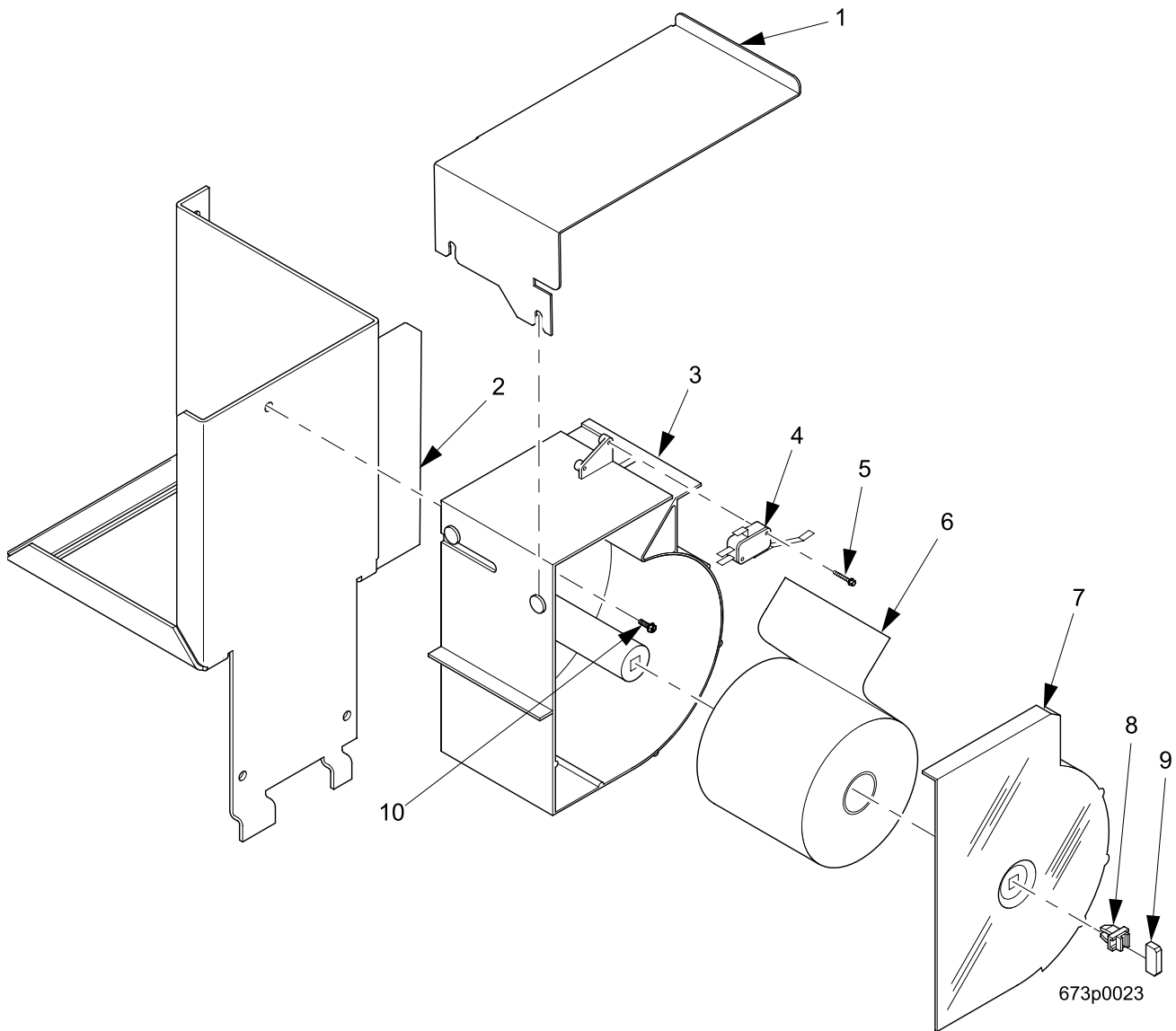
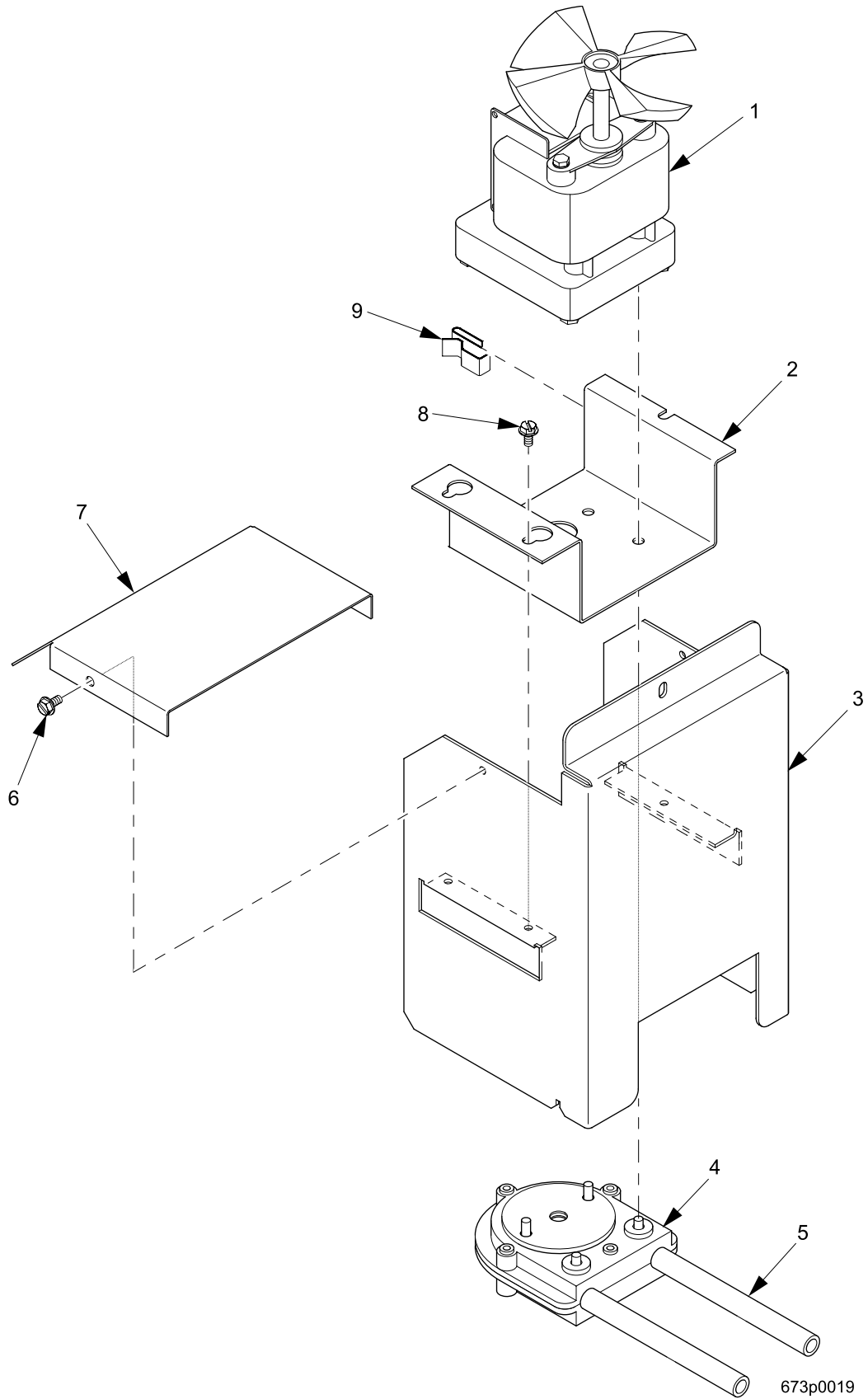


FIGURE 63 FILTER PAPER ASSEMBLY

TABLE 63 FILTER PAPER ASSEMBLY

INDEX	PART NUMBER	DESCRIPTION	QTY
1	6734015	SHIELD - FILTER PAPER	1
2	6734005	PLATE - PAPER MOUNTING	1
3	6844001	HOUSING - FILTER PAPER	1
4	3118011	SWITCH V3L - 1260-D8	1
5	6238070	SCREW - #4-17X.62 HEX HD	2
6	6404043	PAPER - FILTER(27RLS/CS)GRADE318	1
7	6404054	COVER - PAPER HOUSING	1
8	6404060	LATCH - 1/4 TURN	1
9	6404061	HANDLE - 1/4 TURN	1
10	4741050	SCREW - #8-32 X .50 HX.HD. - T/F - BLACK	3



673p0019

FIGURE 64 PUMP ASSEMBLY - 115V

TABLE 64 PUMP ASSEMBLY - 115V

INDEX	PART NUMBER	DESCRIPTION	QTY
1	6734070	MOTOR - BREWER PUMP - 115V	1
2	6844006	BRACKET - PUMP MOUNTING	1
3	6734007	MOUNTING - PUMP	--
4	6734072	PUMP ASSY - 115V	1
5	6804055	TUBING - 6404059 - 35.5"	1
6	1451097	SCREW - #8-32X.31 HEX HD.TF - BLACK	2
7	6734009	COVER - PUMP	1
8	3157060	SCREW - #8-32 X .31 HEX W/ HD. S	3
9	1212159	WIRE CLIP	1

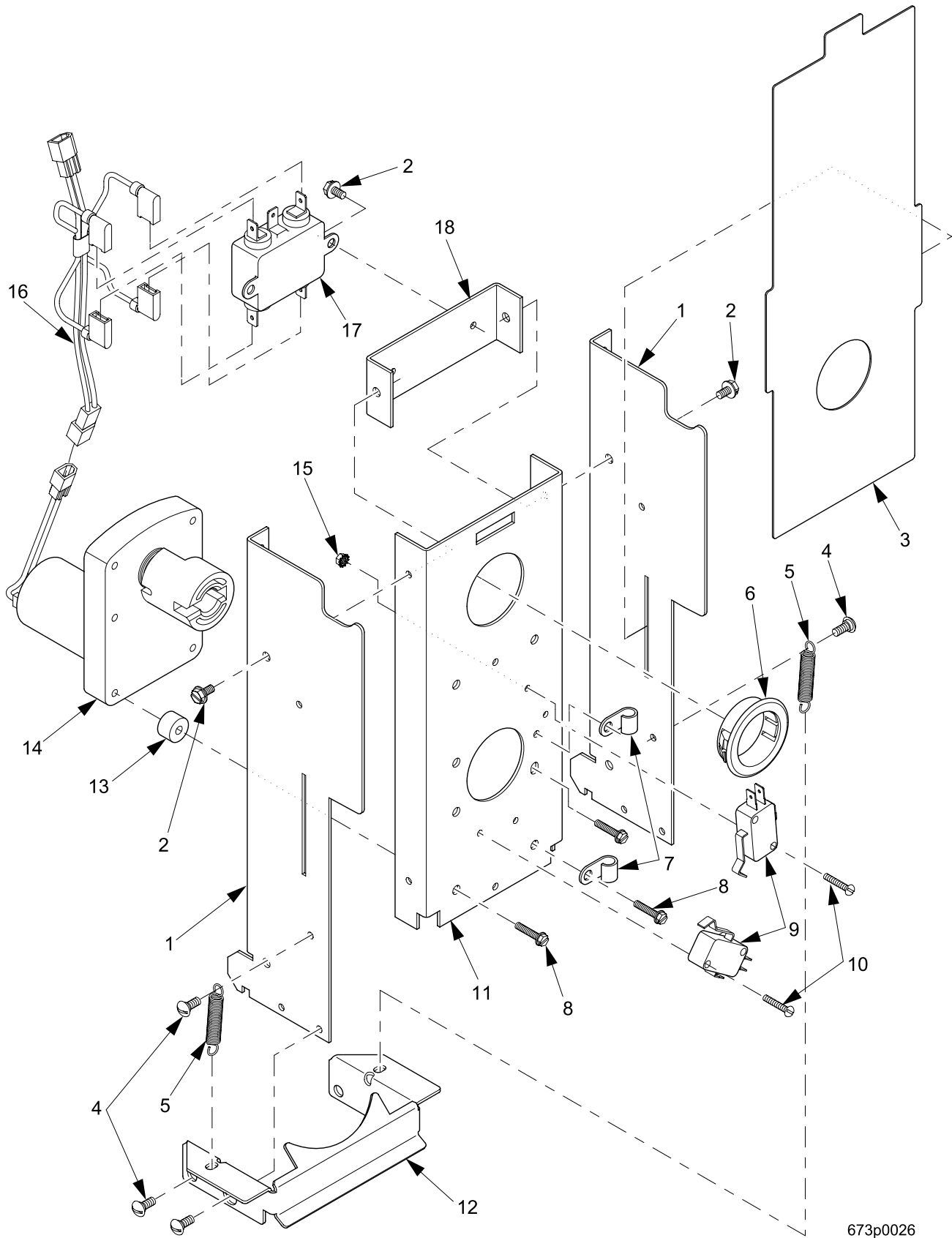
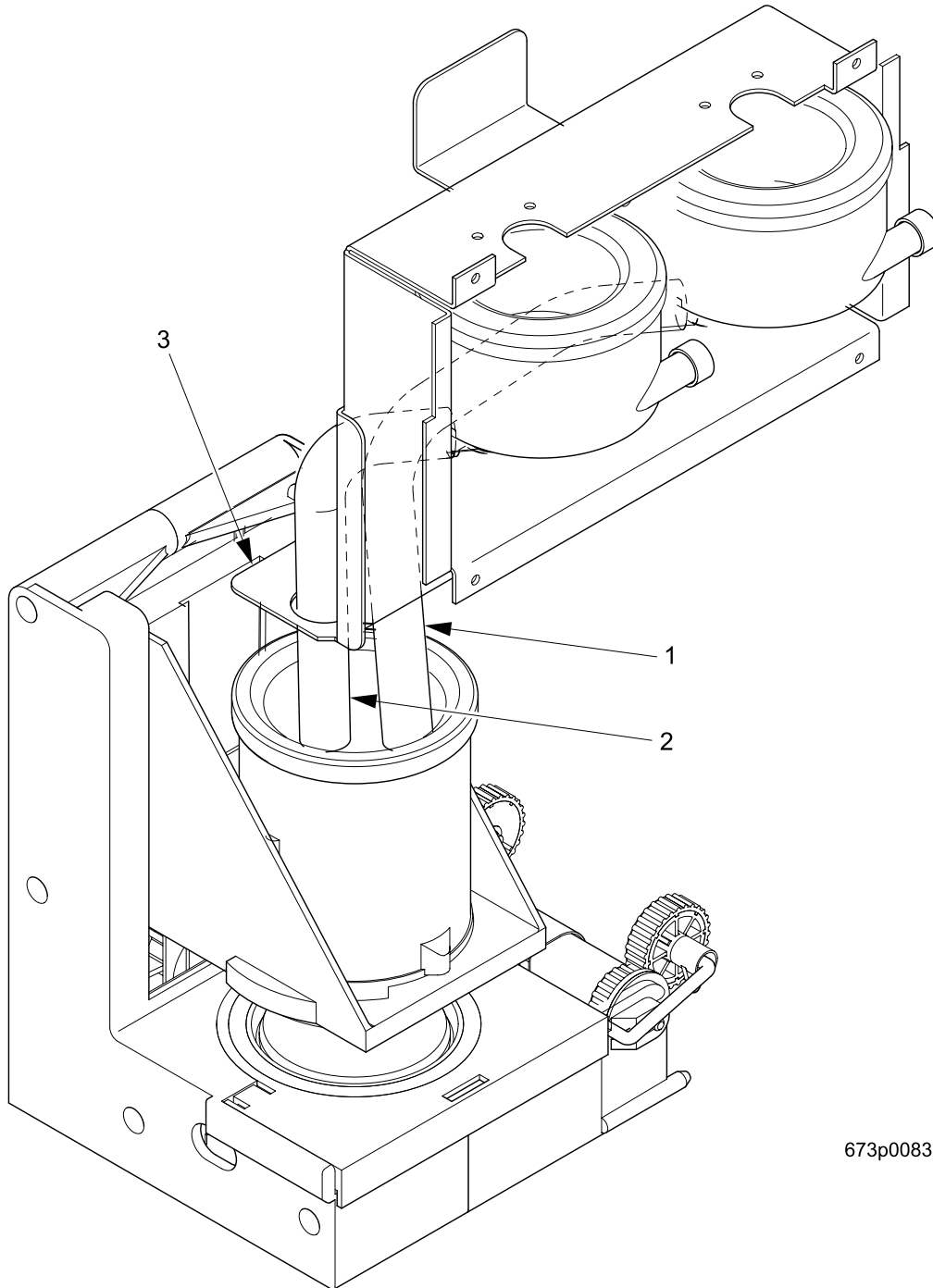


FIGURE 65 BREWER DRIVE ASSEMBLY

673p0026

TABLE 65 BREWER DRIVE ASSEMBLY

INDEX	PART NUMBER	DESCRIPTION	QTY
1	6734006	PLATE - BREWER MOUNTING	2
2	1451097	SCREW - #8-32X.31 HEX HD.TF - BLACK	8
3	6734003	COVER - BREWER SWITCHES - LONG	1
4	4027053	SCREW - GATE STOP	6
5	6404067	SPRING - EXTENSION	2
6	6106021	BUSHING #SB1500 - 21	1
7	1211161	CABLE CLAMP - RICHCO#N4	2
8	1457027	SCREW - #8-32 X .81 HEX HD - T/F	4
9	5220108	SWITCH	2
10	1217160	4-40X5/8 RHS M SCREW Z/Y	4
11	6734004	MOUNTING - BREWER DRIVE	1
12	6734011	LATCH - BREWER	1
13	4302134	SPACER - P.C. BOARD	4
14	6404009	MOTOR & CYCLE CAM ASSEMBLY	1
15	1217159	4 - 40 KEPS W/EXT L/WAS H ZP	4
16	6889000	HARNESS - BREWER MOTOR FILTER	1
17	9989100	INTERFERENCE FILTER	1
18	6881040	BRACKET - FILTER MOUNTING	1

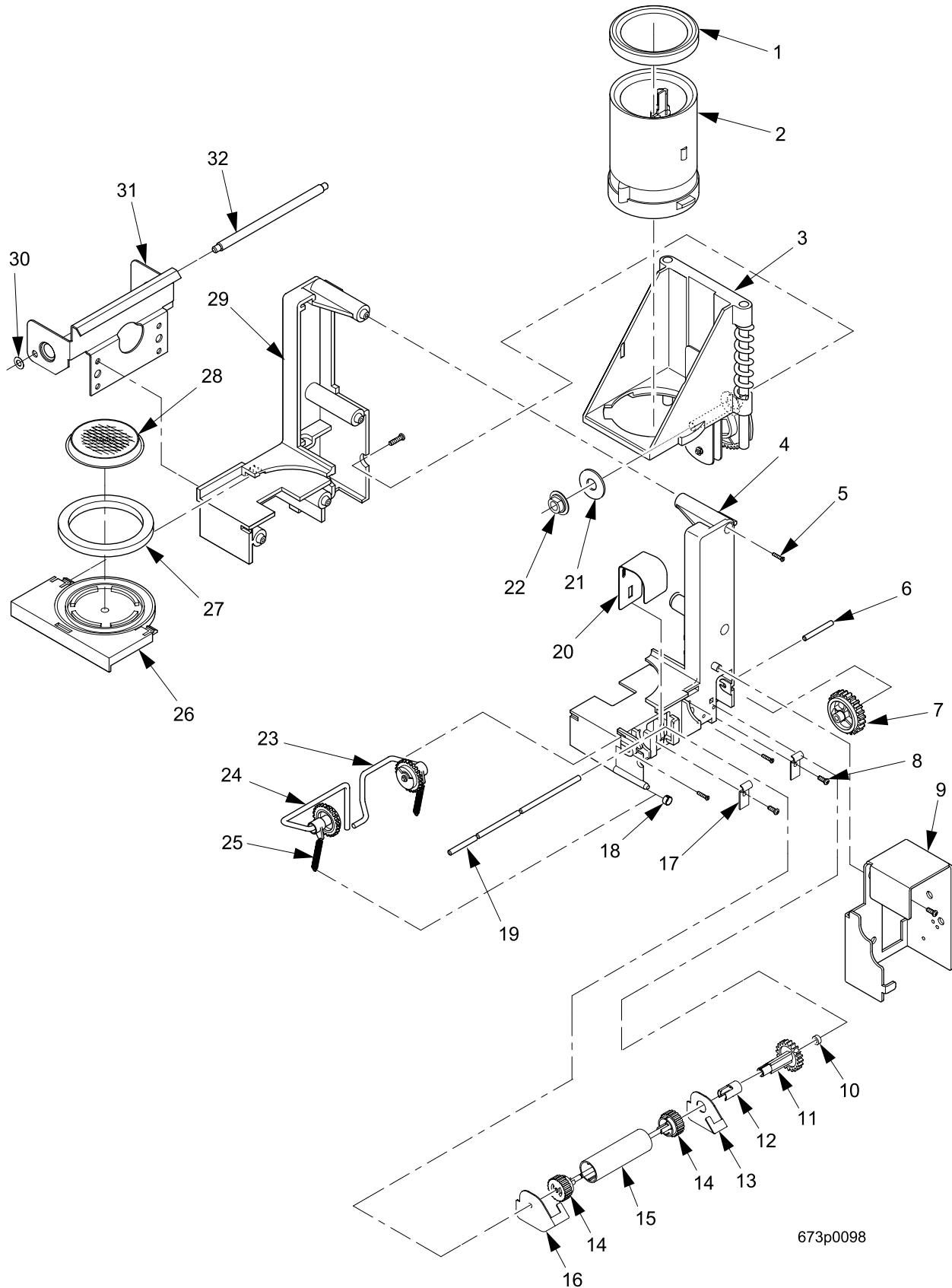


673p0083

FIGURE 66 BREWER ASSEMBLY WITH HOSES AND MIXING BOWL

TABLE 66 BREWER ASSEMBLY WITH HOSES AND MIXING BOWL

INDEX	PART NUMBER	DESCRIPTION	QTY
1	6734013	HOSE - BREWER - COFFEE	1
2	6734020	HOSE - BREWER - DECAF	1
3	6734014	RETAINER - HOSE - BREWER	1
--	6734019	RETAINER - HOSE - BREWER - SINGLE FRESH BREW (NOT SHOWN)	1
--	6734016	RETAINER - HOSE - BREWER - D.G. (NOT SHOWN)	1
--	6734021	HOSE - BREWER - COFFEE - DUAL FBG. (NOT SHOWN)	1
--	6734022	HOSE - BREWER - DECAF - DUAL FBG (NOT SHOWN)	1



673p0098

FIGURE 67 BREWER ASSEMBLY WITH FILTER

TABLE 67 BREWER ASSEMBLY WITH FILTER

INDEX	PART NUMBER	DESCRIPTION	QTY
--	6734065	BREWER ASSEMBLY - WITH FILTER	--
--	6734057	BREWER ASSEMBLY (ITEMS 1-7, 21, 22, 29)	--
1	6404031	LID - CYLINDER	1
2	6404004	CYLINDER - BREWER	1
3	6734053	CARRIER & CAM FOLLOWER ASSEMBLY	1
4	6734058	HOUSING - BREWER - RIGHT SIDE	1
5	1572242	SCREW - #8-18 X.75 PLASTITE HH	4
6	6404023	AXLE - INDEX GEAR	1
7	6404022	GEAR - PAPER INDEX PINION	1
8	4277042	SCREW - #8-10 X.5 T/F-PHS	3
9	6734052	HOUSING - PAPER DRIVE	1
10	6734066	SPACER - .375ID X.192 OD X.156	1
11	6404024	GEAR - DRIVE - PAPER	1
12	6234603	ROLLER DRIVE - PAPER MECH.	1
13	6734078	DEFLECTOR - FILTER PAPER - RIGHT	1
14	6234620	ROLLER END CAP - PAPER MECH	2
15	6404026	ROLLER - EXTRUSION PAPER	1
16	6734077	DEFLECTOR - FILTER PAPER - LEFT	1
17	6404114	RETAINER - IDLER AXIS	2
18	6804061	RING - COMPRESSION - .25	1
19	6404025	SHAFT - PAPER DRIVE	1
20	6404113	GUIDE - PAPER	1
21	6134042	WASHER 1X.390X22GA TYPE 304	1
22	4047012	SHOULDER BUSHING	1
23	6404108	IDLER AXLE & ROLLER ASSEMBLY - RIGHT	1
24	6404107	IDLER AXLE & ROLLER ASSEMBLY - LEFT	1
25	6404067	SPRING - EXTENSION	2
--	6734100	PLATFORM, SEAL & SCREEN ASSEMBLY (NEXT 3 ITEMS)	--
26	6734060	HOUSING - SCREEN & SEAL	1
27	6404090	SEAL - BREWER	1
28	6404070	SCREEN - BREWER - 60 X 60 MESH	1
29	6734059	HOUSING - BREWER-LEFT SIDE	1
30	6404027	RETAINER - GROOVLESS	2
--	6734076	GUIDE - PAPER ASSEMBLY (NEXT 2 ITEMS)	--
31	6734073	GUIDE - PAPER ASSEMBLY	1
32	6734074	SHAFT - PAPER DRIVE	1

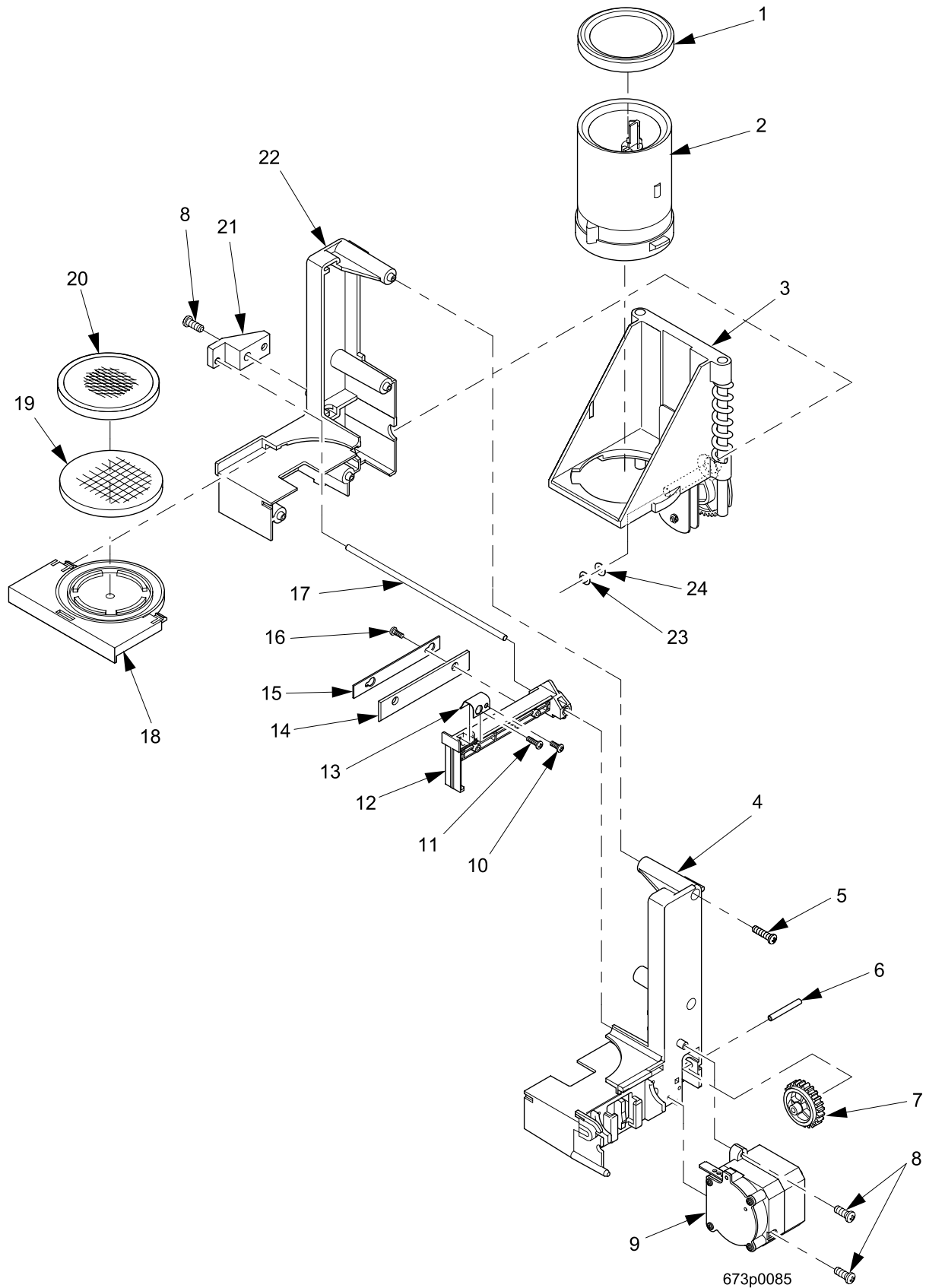
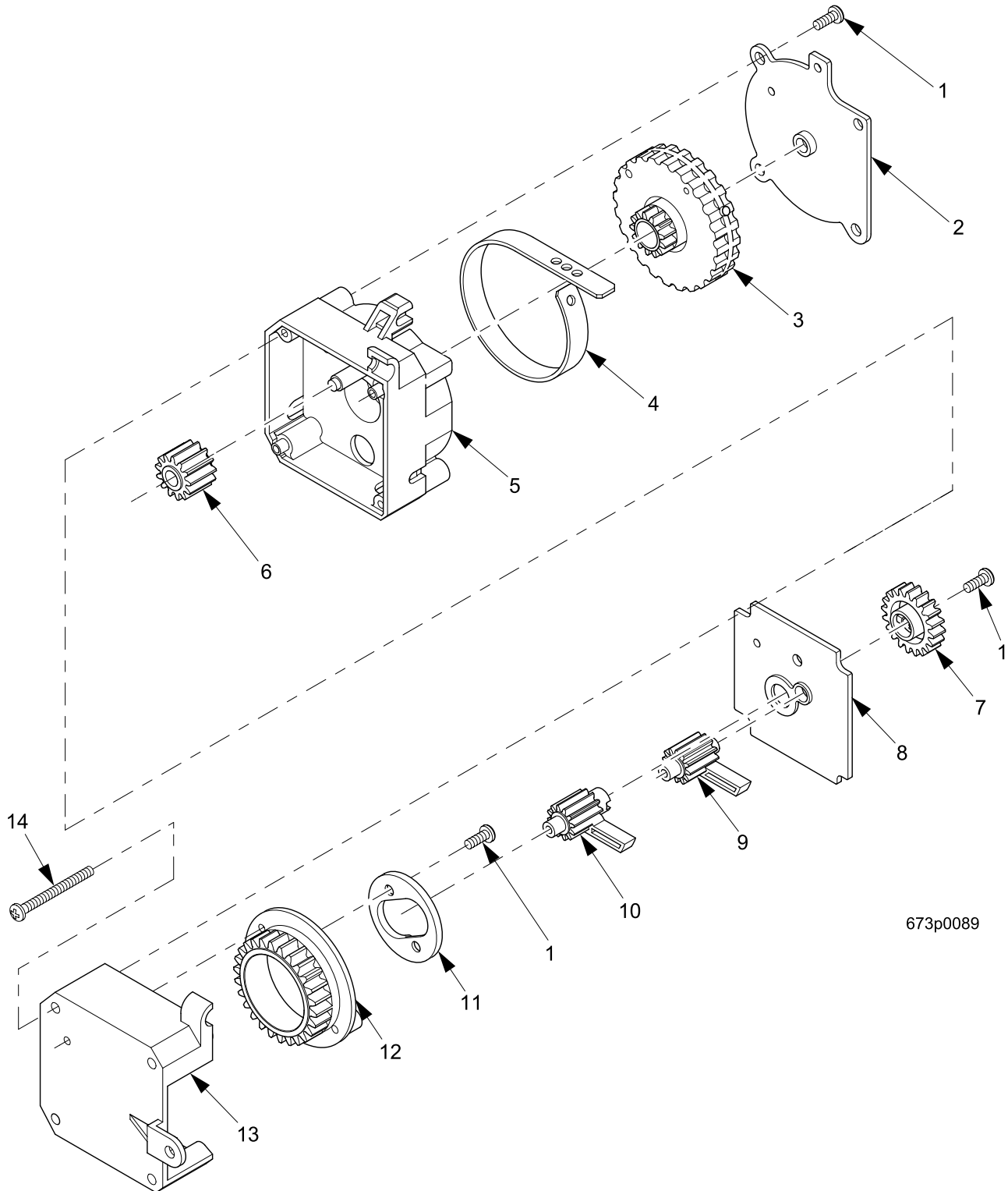


FIGURE 68 BREWER ASSEMBLY WITHOUT FILTER

TABLE 68 BREWER ASSEMBLY WITHOUT FILTER

INDEX	PART NUMBER	DESCRIPTION	QTY
--	6734064	BREWER ASSEMBLY WITHOUT FILTER	--
1	6404031	LID - CYLINDER	1
2	6404004	CYLINDER - BREWER	1
3	6734053	CARRIER & CAM FOLLOWER ASSEMBLY (SEE FIGURE 70)	1
4	6734058	HOUSING - BREWER - RIGHT SIDE	1
5	1572242	SCREW - #8-18 X.75 PLASTITE HHS	4
6	6404023	AXLE - INDEX GEAR	1
7	6404022	GEAR - PAPER INDEX PINION	1
8	4277042	SCREW - #8-10 X.5 T/F - PHS	3
9	6734030	GEAR TRAIN ASSEMBLY - REVERSER MECH	1
10	4747171	SCREW - #6-19 X .38 PHIL.PHS - T/C	1
11	1577008	SCREW - #6-19 X.50 PLASTITE PHS	1
12	6734067	HOUSING & BEARING ASSEMBLY	1
13	6734047	SPRING - GUIDE	1
14	6734049	SQUEEGEE - BREWER	1
15	6734048	RETAINER - SQUEEGEE	1
16	4747171	SCREW - #6-19 X .38 PHIL.PHS - T/C	2
17	6734050	SHAFT - SQUEEGEE - HOUSING	1
18	6734060	HOUSING - SCREEN & SEAL	1
19	6734068	SCREEN - SUPPORT	1
20	6734061	SEAL & SCREEN ASSEMBLY	1
21	6734051	HOUSING - SQUEEGEE - SHAFT	1
22	6734059	HOUSING - BREWER - LEFT SIDE	1
23	6134042	WASHER 1X.390X22GA TYPE 304 SS	1
24	4047012	SHOULDER BUSHING	1



673p0089

FIGURE 69 GEAR TRAIN ASSEMBLY

TABLE 69 GEAR TRAIN ASSEMBLY

INDEX	PART NUMBER	DESCRIPTION	QTY
--	6734030	GEAR TRAIN ASSEMBLY - REVERSER MECH	--
1	4747171	SCREW - #6-19 X .38 PHIL.PHS - T/C	7
2	6734031	COVER - HOUSING - SPROCKET	1
3	6734032	SPROCKET - BELT - DRIVE	1
4	6734033	BELT	1
5	6734034	HOUSING - SPROCKET	1
6	6734035	GEAR - .65DP - 13 TEETH - 20DP	1
7	6734036	GEAR - 1PD-20 TEETH - 20DP	1
8	6734037	PLATE - HOUSING - CENTER	1
9	6734038	LINK - FOLLOWER - .5PD - 12TEETH - 24P	1
10	6734039	LINK - OUTPUT - .5PD - 12TEETH - 24PD	1
11	6734040	RETAINER - GEAR	1
12	6734041	GEAR - DRIVER	1
13	6734042	HOUSING - GEAR - DRIVER	1
14	6734043	SCREW - #6-19 X 1.50LG - PHILLIPS	4

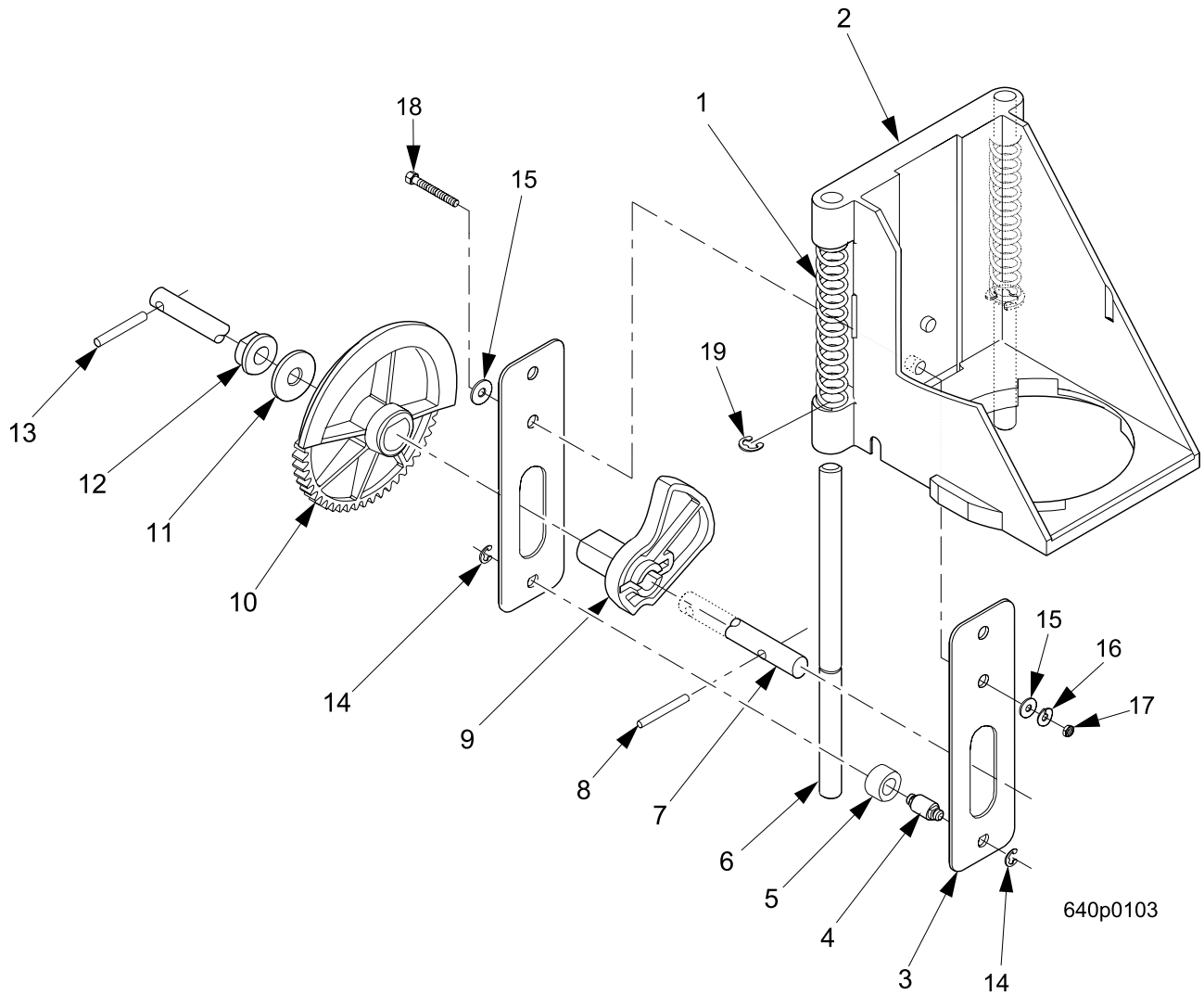
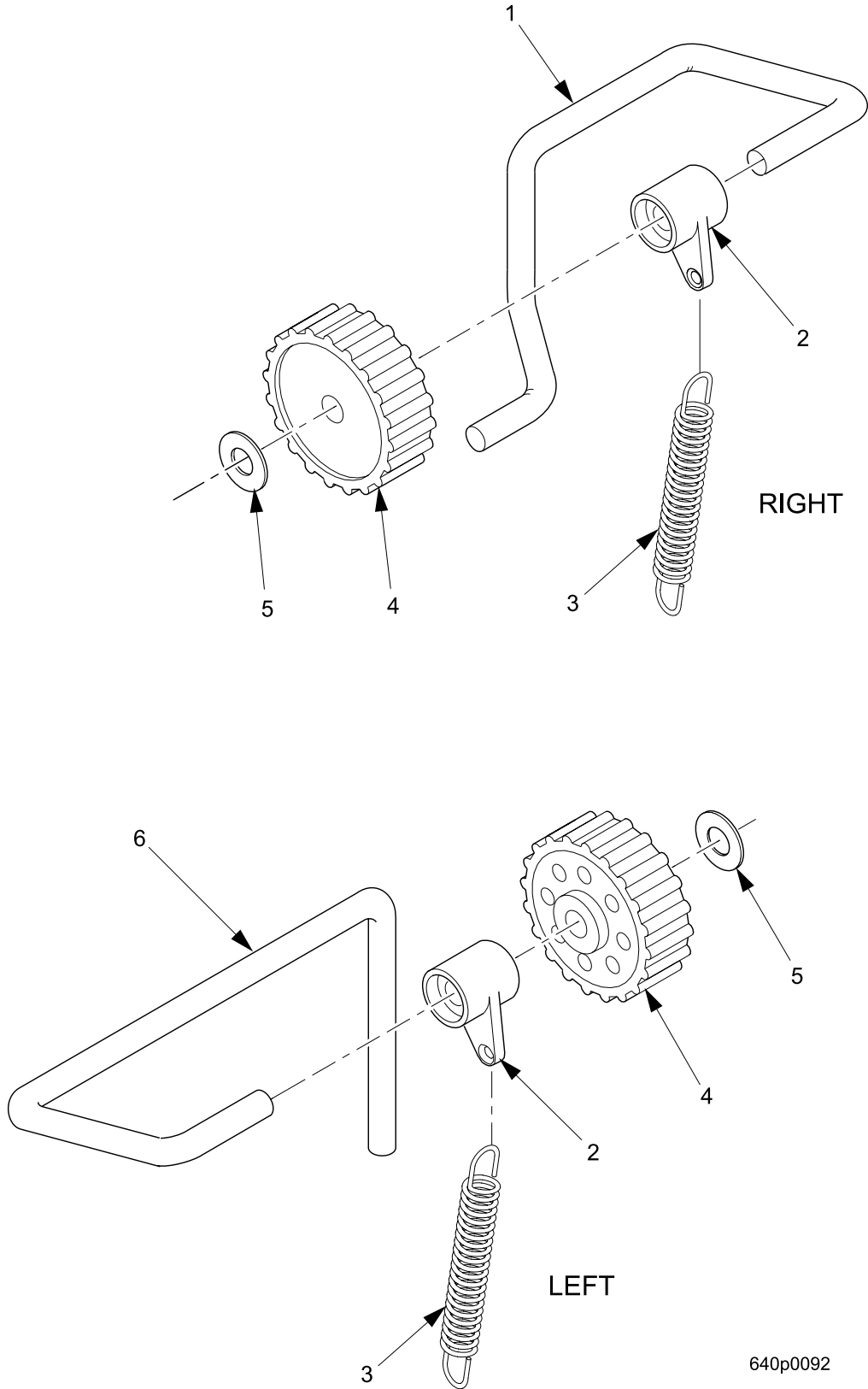


FIGURE 70 CARRIER AND CAM FOLLOWER ASSEMBLY

TABLE 70 CARRIER AND CAM FOLLOWER ASSEMBLY

INDEX	PART NUMBER	DESCRIPTION	QTY
--	6734053	CARRIER & CAM FOLLOWER ASSEMBLY	--
1	6404017	SPRING - CARRIER	2
2	6734055	CARRIER - CYLINDER	1
3	6404019	PLATE - CAM FOLLOWER	2
4	6404073	SHAFT - CAM FOLLOWER	1
5	6404074	ROLLER - CAM FOLLOWER	1
6	6734054	SHAFT - CARRIER BEARING	2
7	6404013	SHAFT - CAM	1
8	4047061	ROLL PIN - 1/8X1 1/8	1
9	6734056	CAM - CYLINDER CARRIER	1
10	6404015	GEAR - PAPER INDEX DRIVE	1
11	6134042	WASHER 1X.390X22GA TYPE 304 SS	1
12	4047012	SHOULDER BUSHING	1
13	6133157	ROLL PIN 3/16 X 1	1
14	6104220	RETAIN RING TRUARC 5133 - 18H SS	2
15	6404034	WASHER - .687 O.D. X .265 I.D. X .050	2
16	6404035	LOCK WASHER - SPLIT	1
17	6134160	NUT # 1/4-20 HEX	1
18	6404033	SCREW - 1/4-20 X 1 HEX HD.	1
19	6404036	RET.RING - REINF.E TYPE - .375	2



640p0092

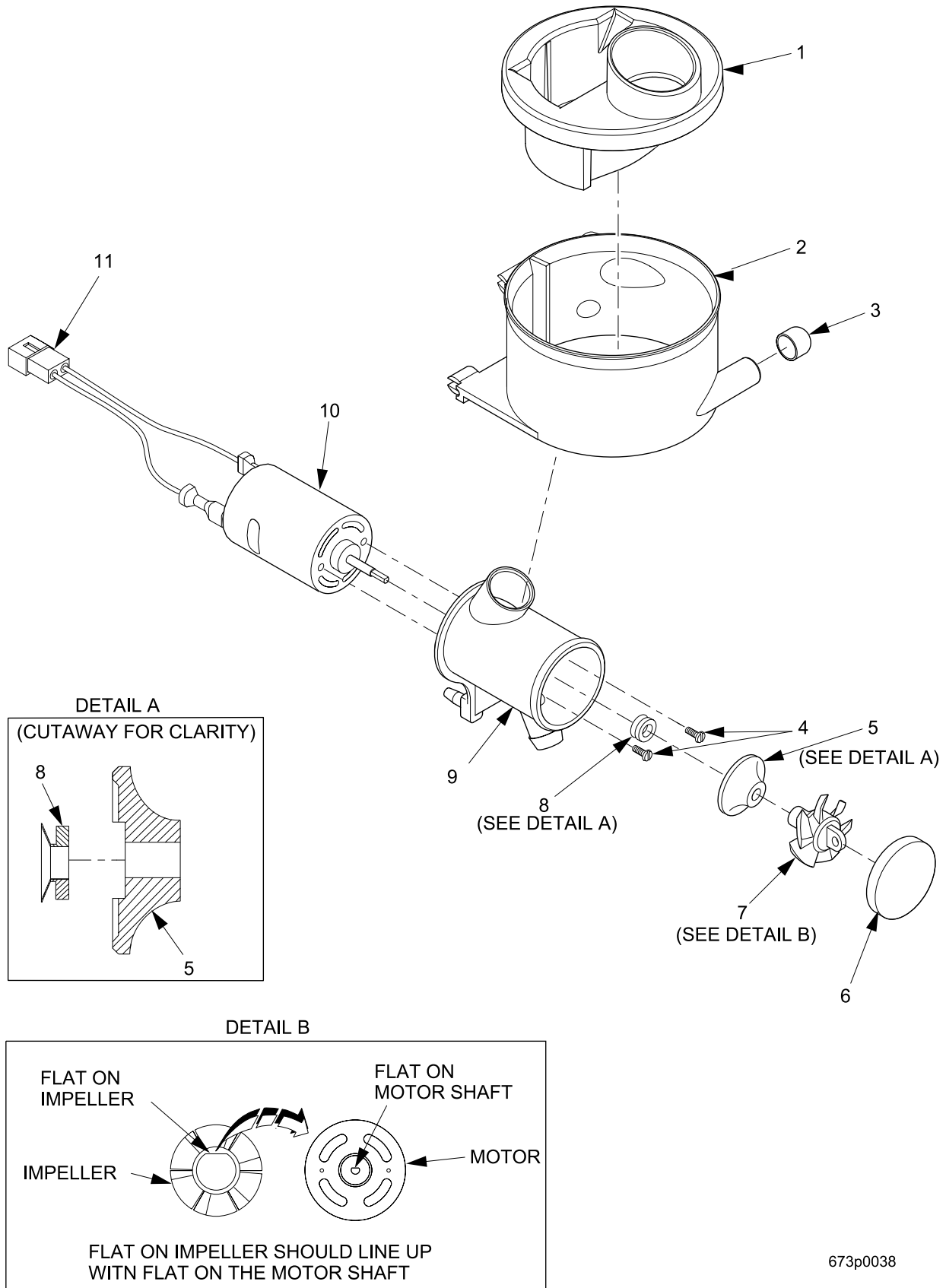
FIGURE 71 IDLE AXLE AND ROLLER ASSEMBLY

TABLE 71A: IDLE AXLE AND ROLLER ASSEMBLY - RIGHT

INDEX	PART NUMBER	DESCRIPTION	QTY
--	6404108	IDLE AXLE AND ROLLER ASSEMBLY - RIGHT	--
1	6404096	AXLE - IDLER ROLLER - RIHGT	1
2	6404030	TOGGLE - SPRING	1
3	6404067	SPRING - EXTENSION	1
4	6404098	DRIVE/IDLER - PAPER DRIVE	1
5	6404027	RETAINER - GROOVLESS	1

TABLE 71B: IDLE AXLE AND ROLLER ASSEMBLY - LEFT

INDEX	PART NUMBER	DESCRIPTION	QTY
--	6404107	IDLE AXLE AND ROLLER ASSEMBLY - LEFT	--
2	6404030	TOGGLE - SPRING	1
3	6404067	SPRING - EXTENSION	1
4	6404098	DRIVE/IDLER - PAPER DRIVE	1
5	6404027	RETAINER - GROOVLESS	1
6	6404095	AXLE - IDLER ROLLER - LEFT	1

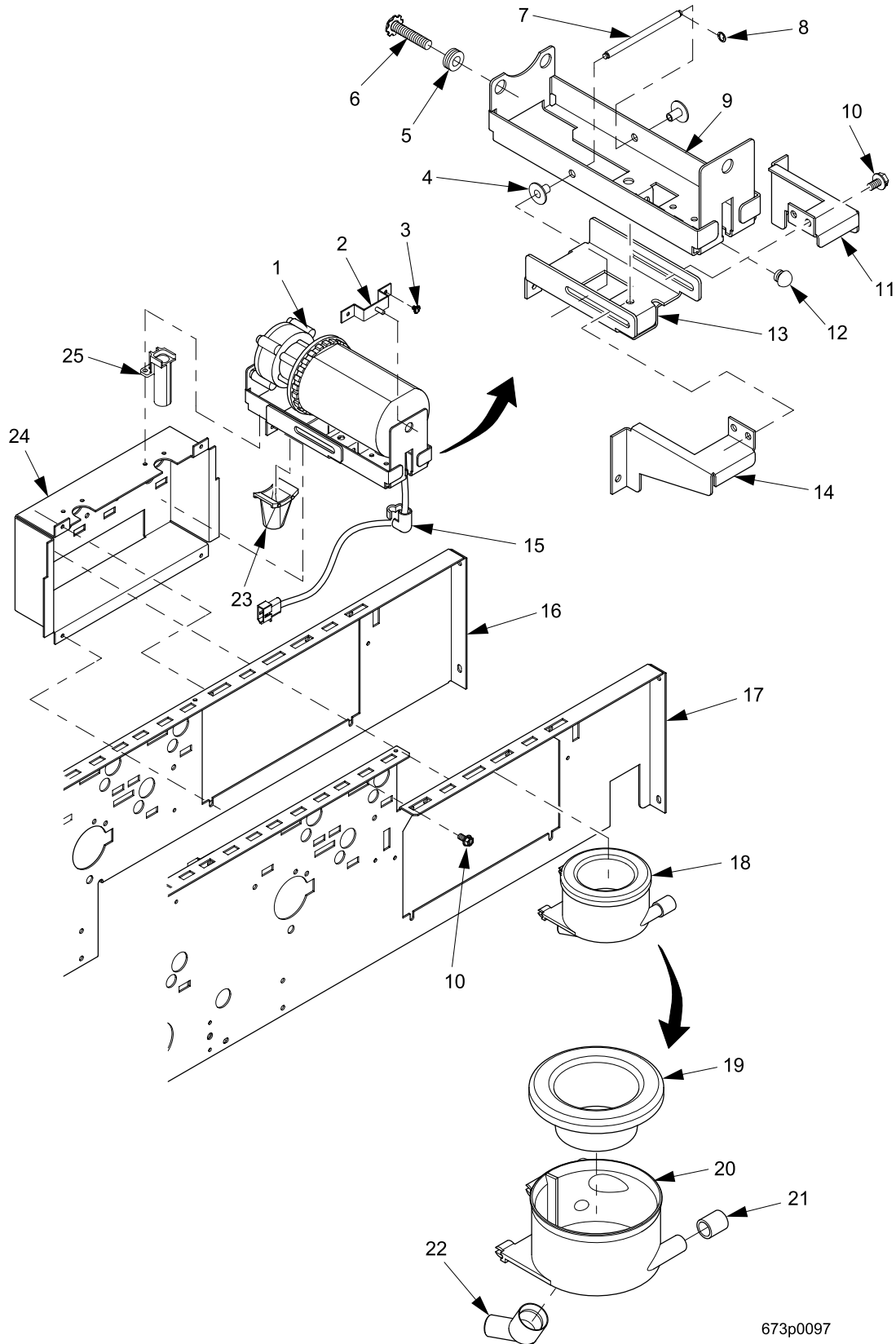


673p0038

FIGURE 72 WHIPPER ASSEMBLY

TABLE 72 WHIPPER ASSEMBLY

INDEX	PART NUMBER	DESCRIPTION	QTY
1	6537019	VENT & DIVIDER ASSEMBLY	1
2	6537030	MIXING BOWL	1
3	6237306	VINYL CAP - .38 I.D.	1
4	6237119	SCREW - M3XL.5-6GX6MM - SPH	2
5	6237192	SPACER - WHIPPER	1
6	6337085	COVER - WHIPPER	1
7	6237194	IMPELLER - WHIPPER	1
8	6237110	V RING - SHAFT SEAL	1
9	6237193	HOUSING - WHIPPER	1
10	6237111	MOTOR - WHIPPER - 24V DC	1
11	6237157	HARNESS - WHIPPER MOTOR	1
--	6337076	HARNESS - WHIPPER MOTOR - INCLUDES ITEMS 1, 2, 3, 4 (NOT SHOWN)	1
--	6337078	MIXING BOWL ASSEMBLY - P & NO S - INCLUDES ITEMS 1, 2, 3 (NOT SHOWN)	1
--	6337079	MIXING BOWL ASSEMBLY - NO P & NO S - INCLUDES ITEMS 1, 2 (NOT SHOWN)	1

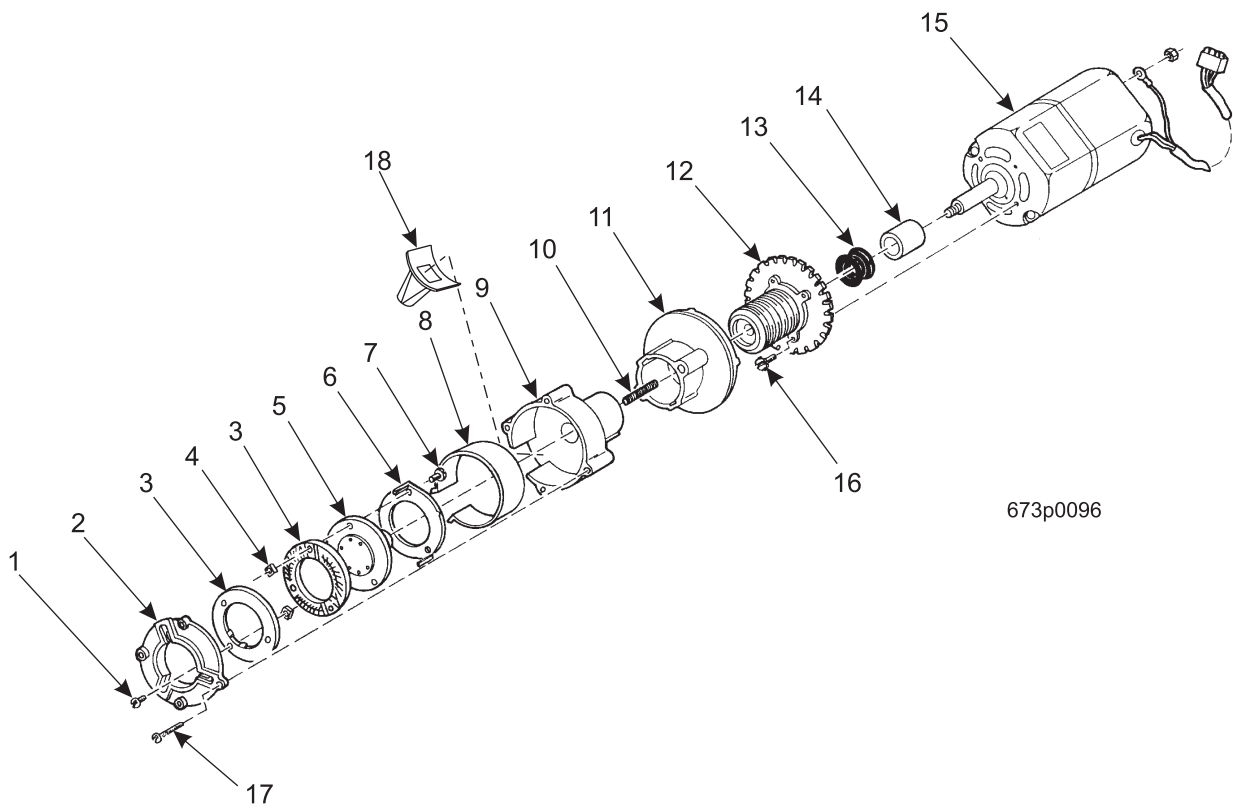


673p0097

FIGURE 73 FRESH BREW MIXING BOWL ASSEMBLY - WITH CAP AND SPOUT

TABLE 73 FRESH BREW MIXING BOWL ASSEMBLY - WITH CAP AND SPOUT

INDEX	PART NUMBER	DESCRIPTION	SINGLE GRINDER QTY	DUAL GRINDER QTY
1	6777000	GRINDER ASSEMBLY - COFFEE (SEE FIGURE 74)	1	2
2	6237206	BRACKET ASSEMBLY - GRINDER MOTOR	1	2
3	9900138	SCREW #8-32 X 1/4 PHS W/LKW	2	4
4	6237016	EYELET - FLAT FLNG #A1562 BRASS	2	4
5	6237030	GROMMET - 5/32	2	4
6	6237214	SCREW - #4-40X1.5 PHS W/LW	2	4
7	6237221	SHAFT - GRINDER BRACKET	1	2
8	9900418	RETAINING RING REINF E TYP.187	2	4
9	6237377	GRINDER BRACKET ASSEMBLY	1	2
10	1451097	SCREW - #8-32X.31 HEX HD.TF - BLK.	4	8
11	6737003	SUPPORT - GRINDER - RIGHT	1	0
12	6224010	PLUG - BUMPER	1	2
13	6777001	BRACKET ASSEMBLY - GRINDER SHELF	1	2
14	6737004	SUPPORT - GRINDER - LEFT (NOT SHOWN)	1	1
15	7101028	HEYCO RIGHT ANGLE	1	2
16	6734017	MOUNTING - MIXING BOWLS	1	1
17	6731005	CHNL.W/A - CAN.SUPPORT - DUAL GRD.	--	1
18	6737010	MIXING BOWL ASSEMBLY - P & FB S	2	2
19	6237313	VENT - BOWL	2	2
20	6537030	MIXING BOWL	2	2
21	6237306	VINYL CAP - .38 I.D.	2	2
22	6737008	SPOUT - MIXING BOWL - ANGLE	2	2
23	6237252	CHUTE - GRINDER	1	2
24	6734017	MOUNTING-MIXING BOWLS	1	2



673p0096

FIGURE 74 GRINDER ASSEMBLY - COFFEE BEAN

TABLE 74 GRINDER ASSEMBLY - COFFEE BEAN

INDEX	PART NUMBER	DESCRIPTION	QTY
--	6237202	GRINDER ASSEMBLY - BEAN	--
1	6207518	SCREW - #4-40 X 5/16 PHS W/LW	3
2	6237224	COVER - GRINDER HOUSING	1
3	6277202	GRINDING WHEEL - MACHINED	2
4	6207519	NUT - GRINDING WHEEL	6
5	6237223	ROTOR - GRINDWHEEL	1
6	6237271	DISPENSING BLADE - GRIND WHEEL	1
7	6237272	SCREW - #4-40 X 5/16 PHS	3
8	6224035	LINER - GRINDER HOUSING	1
9	6237225	GRINDER HOUSING ASSEMBLY	1
10	6207515	SPRING - INDEX#C-0180-029-0880-M	2
11	6237222	COLLAR - LOCKING	1
12	6237227	PLATE - MOTOR MOUNTING	1
13	6227513	RUBBER GROMMET	1
14	6227514	BEARING - GRINDER - OILITE AA307-3	1
15	6237201	MOTOR - UNIVERSAL	1
16	9900023	SCREW #8-32 X .37 PHS W/LW	--
17	6207516	SCREW - #4-40 X 1-1/4 PHS W/LW	2
18	6237252	CHUTE - GRINDER	1

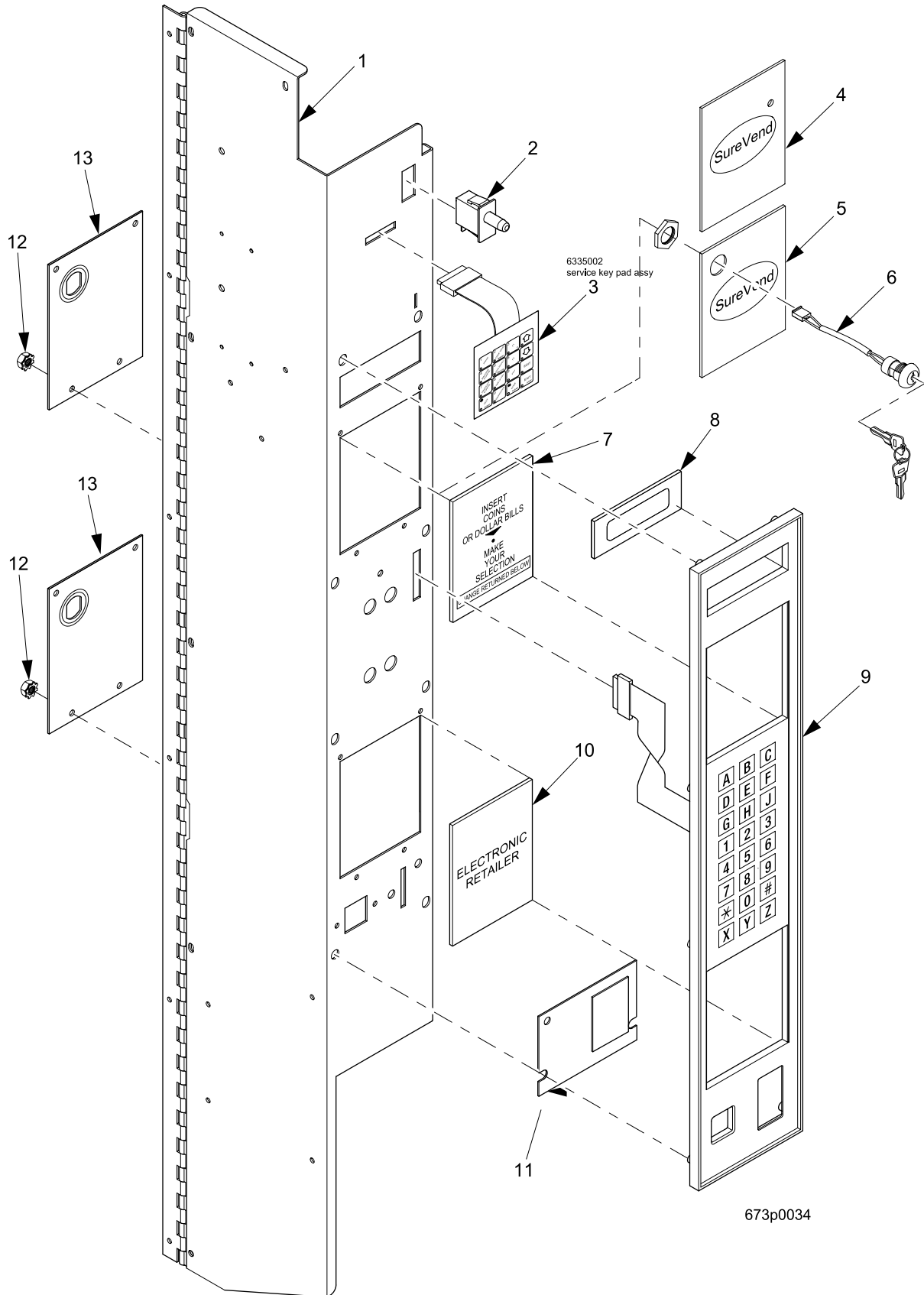


FIGURE 75 EXTERIOR MONETARY DOOR

TABLE 75 EXTERIOR MONETARY DOOR

INDEX	PART NUMBER	DESCRIPTION	QTY
1	1575094	PANEL WELD ASSEMBLY - MONETARY - NV BLACK	1
2	1401110	SWITCH	1
3	6335002	SERVICE KEYPAD ASSEMBLY	1
4	1675006	INSERT - INSTRUCTIONS - UPPER - SUREVEND	1
5	3275003	INSERT - INSTRUCTIONS - FREE VEND - SUREVEND	1
6	9989639	SWITCH ASSEMBLY - FREE VEND	1
7	1575012	INSERT - INSTRUCTIONS - COINS/BILLS - U.S.	1
8	1572013	LENS - DISPLAY	1
9	3635015	FACEPLATE ASSEMBLY	1
10	1575035	INSERT - INSTRUCTIONS - LOWER - ENGLISH	1
11	1575044	COVER PLATE ASSEMBLY - NO COIN	1
12	9900081	NUT #8-32 KEPS ZINC PLATE	--
13	1575048	PLATE - INSERT BACKING	1

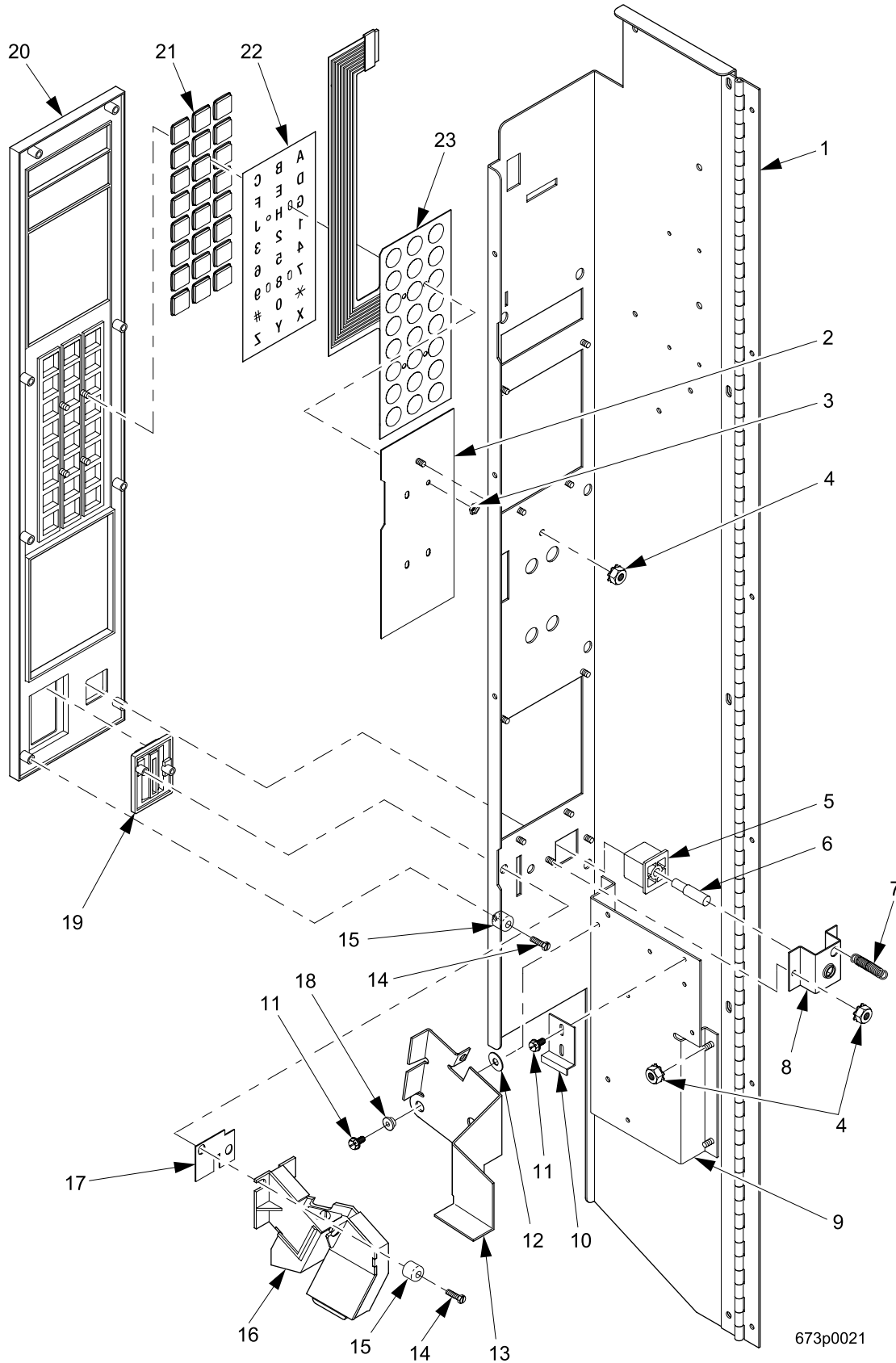
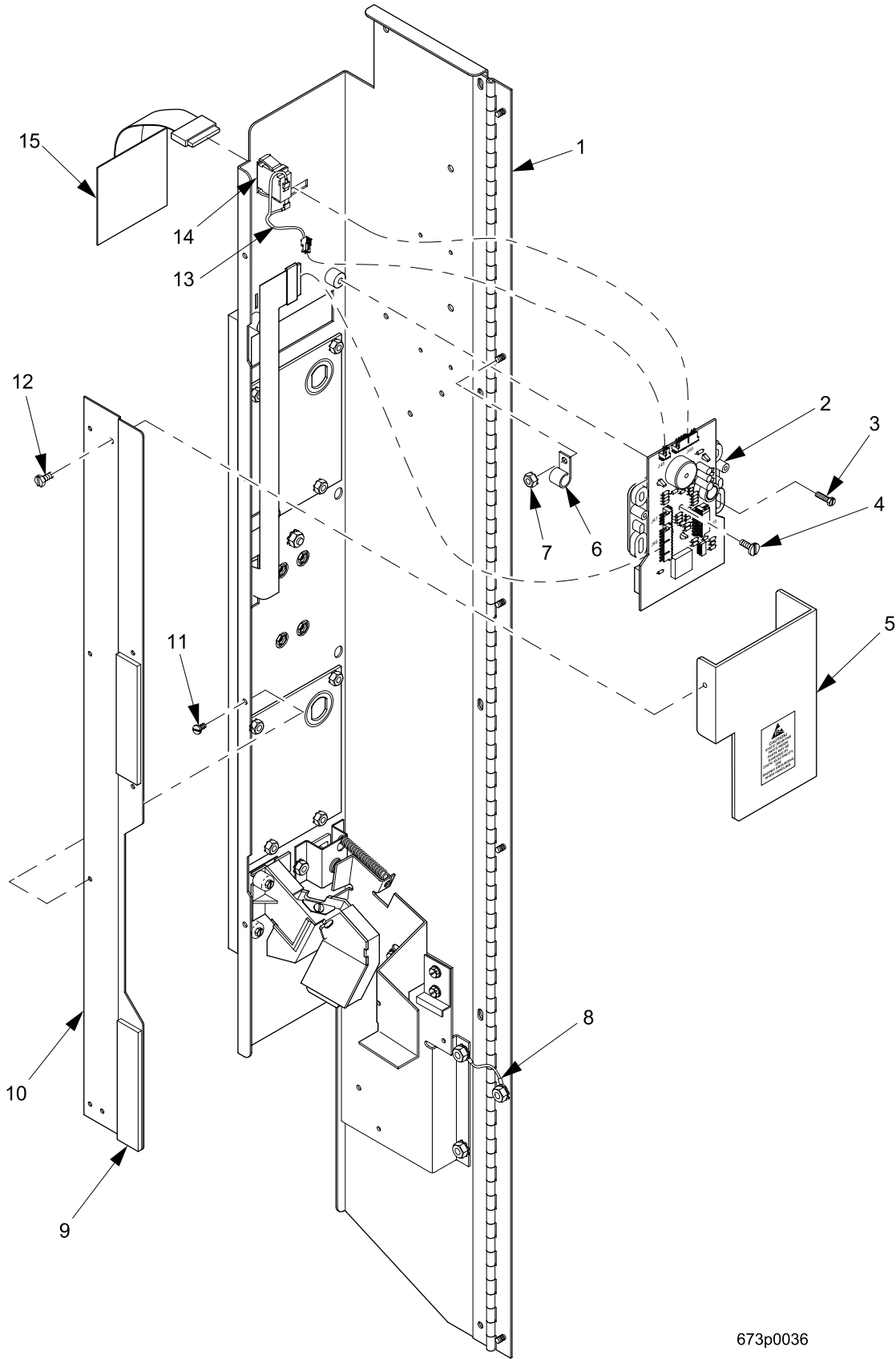


FIGURE 76 INTERIOR MONETARY DOOR (PART 1 OF 3)

TABLE 76 INTERIOR MONETARY DOOR (PART 1 OF 3)

INDEX	PART NUMBER	DESCRIPTION	QTY
1	1575094	PANEL WELD ASSEMBLY - MONETARY. - NV BLACK	1
2	1575091	PLATE - SELECT SWITCH - BACKUP - W	1
3	1475089	1/8 NUT - SELF - THREADING	4
4	9900081	NUT #8-32 KEPS ZINC PLATE	--
5	1475026	BUTTON - COIN RETURN	1
6	1475072	SHAFT - RETURN BUTTON	1
7	1127808	SPRING - SHELF RESET	1
8	1571079	BRACKET - COIN RETURN BUTTON	1
9	1571078	BRACKET - COIN MECHANISM	1
10	6231037	CLAMP - CABLE	1
11	9900106	SCREW #8-32 X 3/8 ACORN HEX HD	--
12	2204093	WASHER - SCAVENGER BAR	1
13	1571113	ARM - SCAVENGER	1
14	4747171	SCREW - #6-19 X .38 PHIL.PHS - T/C	--
15	2302053	SPACER - CUP	4
16	1575003	COIN CHUTE ASSEMBLY	1
17	1671041	COIN BLOCK - 50 CENTS	1
18	2228011	SPACER - RELEASE ARM	2
19	1472223	COIN INSERT	1
20	3635004	PANEL - SELECTION - MONETARY	1
21	1472251	LENS - PUSH BUTTON	12
22	1575058	LETTER SHEET - SELECT SWITCH	1
23	7215019	MEMBRANE SWITCH ASSEMBLY - SELECT	1

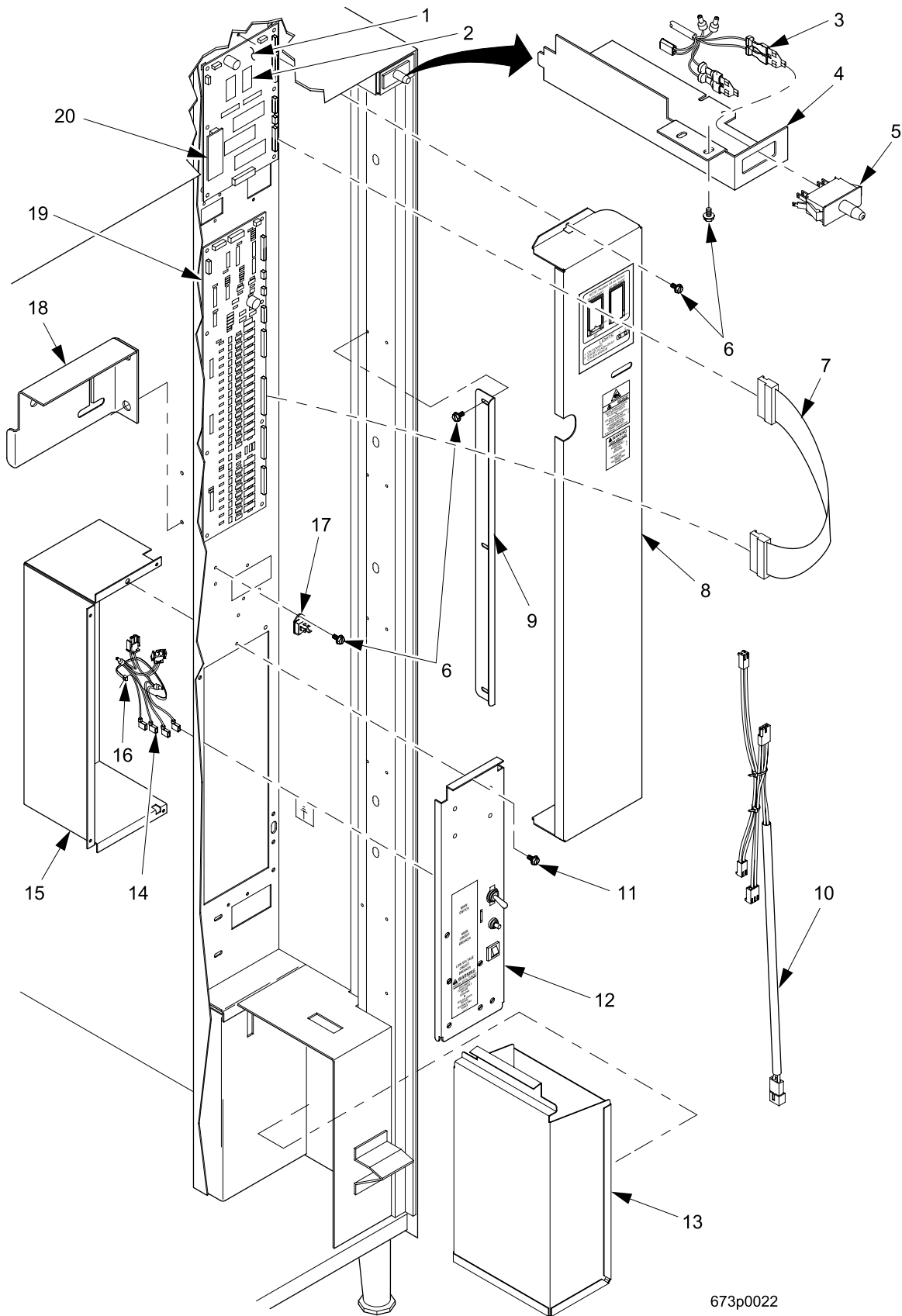


673p0036

FIGURE 77 INTERIOR MONETARY DOOR (PART 2 OF 3)

TABLE 77 INTERIOR MONETARY DOOR (PART 2 OF 3)

INDEX	PART NUMBER	DESCRIPTION	QTY
1	1575094	PANEL WELD ASSEMBLY - MONETARY - NV BLACK	1
2	9989823	DISPLAY W/BRACKET ASSEMBLY	1
3	4747171	SCREW - #6-19 X .38 PHIL.PHS - T/C	--
4	9900203	SCREW #6-20 X 3/8 PHS T/C	--
5	1575029	COVER - DISPLAY	1
6	1452139	RETAINER - HARNESS	2
7	9900081	NUT #8-32 KEPS ZINC PLATE	--
8	1475119	JUMPER - GROUND WIRE	1
9	1575080	MAGNET MOUNTING PLATE - CASHCODE	1
10	1575057	PLATE - MAGNET MOUNTING	1
11	4245186	SCREW - #8 32 X 1/4 PHS - T/F	--
12	9900106	SCREW #8-32 X 3/8 ACORN HEX HD	--
13	1579009	JUMPER - MONETARY DOOR SWITCH	1
14	1401110	SWITCH	1
15	6335002	SERVICE KEYPAD ASSEMBLY	1

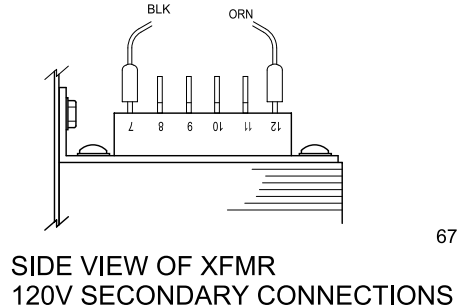
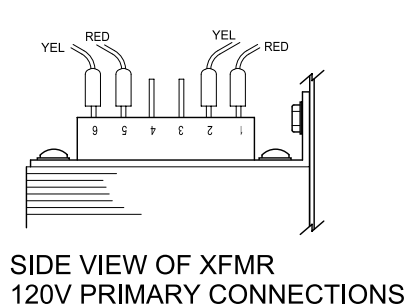
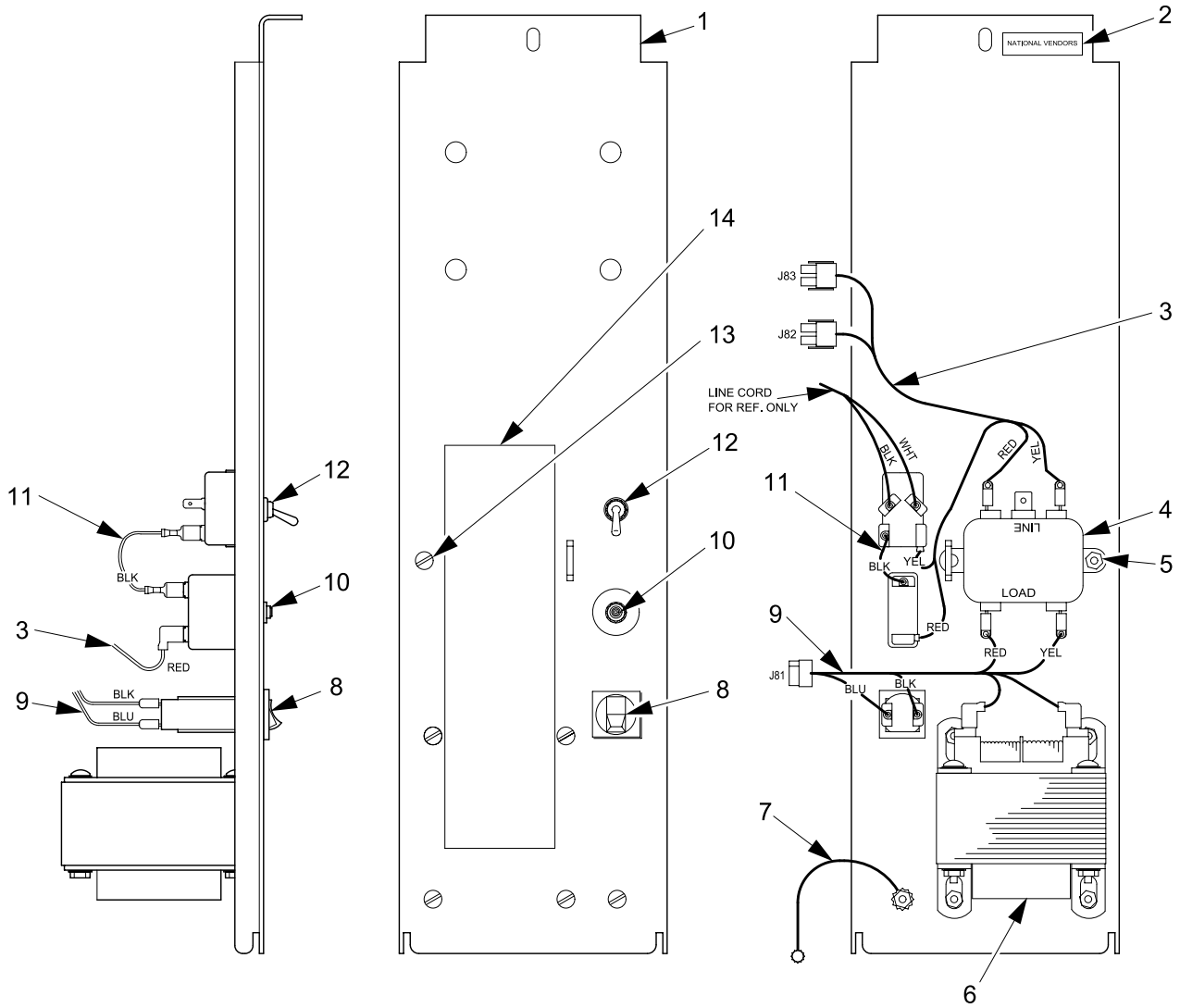


673p0022

FIGURE 78 INTERIOR MONETARY DOOR (PART 3 OF 3)

TABLE 78 INTERIOR MONETARY DOOR (PART 3 OF 3)

INDEX	PART NUMBER	DESCRIPTION	QTY
1	6736000	MAIN CTROLLER PCB W/EPROM	1
	9989755	PCB ASSEMBLY - MAIN CONTROLLER	1
2	9985248	LABEL - UNPRTD - SLFADH DAT57637-10	1
3	9980332	IC-1 MBIT FLASH MEMORY - AMD	1
	1579010	JUMPER - INTERLOCK - DOMESTIC	1
4	1571021	BRACKET - SWITCH INTERLOCK	1
5	1211141	SWITCH	1
6	1451097	SCREW - #8-32X.31 HEX HD.TF - BLK.	--
7	1599200	HARNESS - CONTROL TO DISPLAY	1
8	1571112	COVER - CONT./INTERFACE PCB	1
9	1571022	STOP - MONETARY PANEL	1
10	9989750	HARNESS - 24 VAC PCB & COIN POWER	1
11	1451097	SCREW - #8-32X.31 HEX HD.TF - BLACK	--
12	3281086	POWER ASSEMBLY - DOMESTIC - 20A	1
13	1671050	MONEY BOX - WELDED - ONE PIECE	1
14	6739021	HARNESS - POWER PANEL	1
15	1671022	HOUSING - POWER PANEL	1
16	3114114	WIRE TIE RICHCO#BT - 10-10 - BL	1
17	9983778	TRIAC - 35A - 600V	1
18	6231143	BRACKET - POWER PANEL RETAINER	1
19	6736001	PCB ASSEMBLY - HOT DRINK INTERFACE	1
20	6736005	IC ASSEMBLY - VERSION 673.02 AMD	1

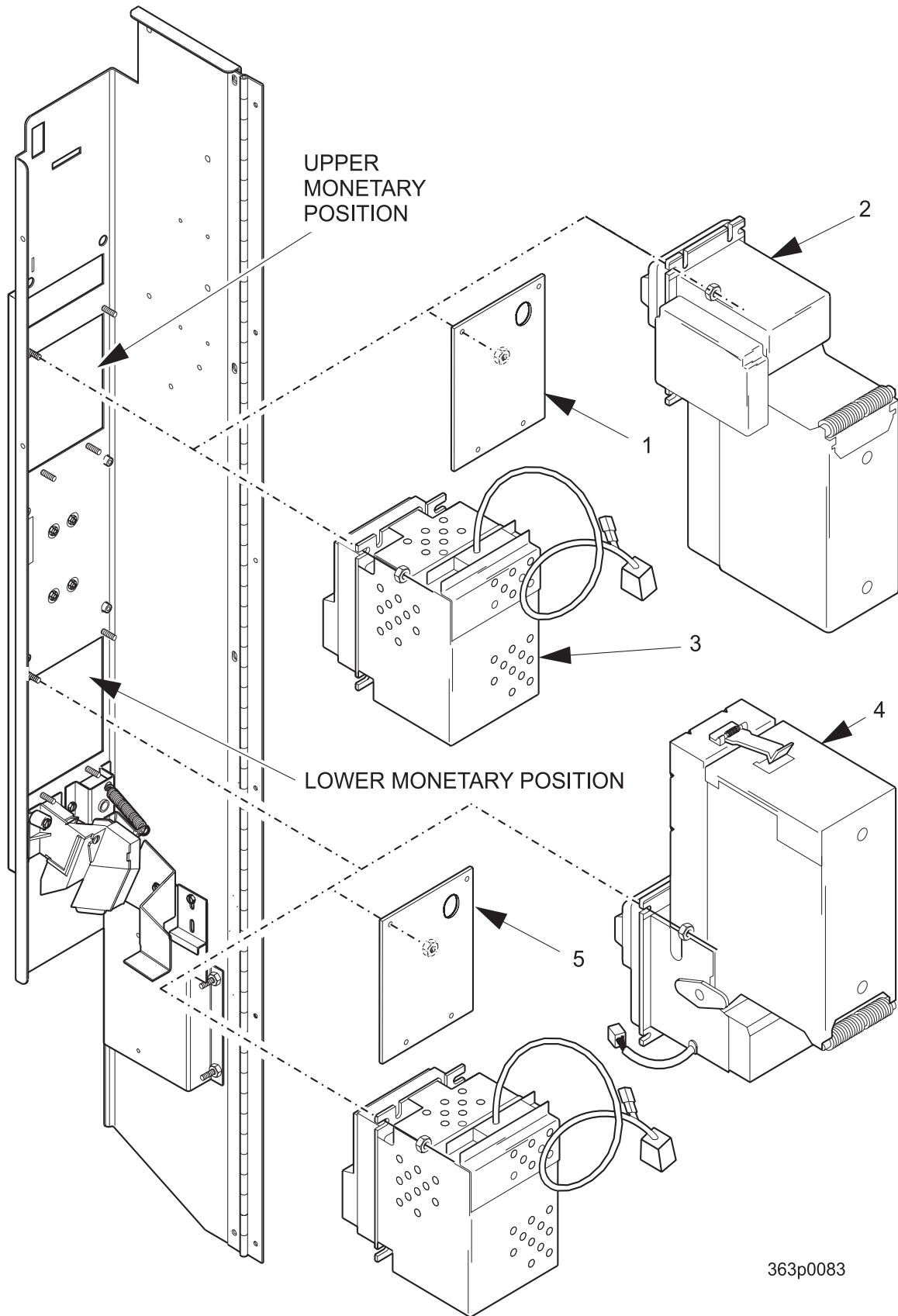


673p0024

FIGURE 79 POWER PANEL ASSEMBLY - 20A

TABLE 79 POWER PANEL ASSEMBLY - 20A

INDEX	PART NUMBER	DESCRIPTION	QTY
1	1701025	PLATE - HOUSING - PANEL (CP7-7)	1
2	9989369	LABEL - N.V. BLANK	1
3	6739021	HARNESS - POWER PANEL	1
4	9989100	INTERFERENCE FILTER	1
5	9900081	NUT #8-32 KEPS ZINC PLATE	--
6	9989046	24V XFMR - DUAL PIR. - .187 TERM.	1
7	9984094	WIRE - GROUND - 14"	1
8	9989674	CIRCUIT BREAKER - 4 AMP	1
9	1709001	JUMPER - TRANSFORMER - 120V - PRM.	1
10	9989673	CIRCUIT BREAKER - 20A	1
11	1709006	JUMPER - MAIN SWITCH TO BREAKER	1
12	9984629	SWITCH - TOGGLE - DPST - 20AMP	1
13	1211110	8-32X1/4 RHS MACH SCR ZP	1
14	4311117	LABEL - POWER CONTROL PANEL - ENGLISH	1



363p0083

FIGURE 80 MONETARY - DEBIT CARD READERS AND BILL VALIDATORS

TABLE 80A MONETARY - DEBIT CARD READERS AND BILL VALIDATORS

INDEX	PART NUMBER	DESCRIPTION	QTY
1	--	DOWNSTACK BILL VALIDATOR	--
2	1575048	PLATE - INSERT BACKING	1
3	9900081	NUT #8-32 KEPS ZINC PLATE	--
4	--	DEBIT CARD READER	
5	--	UPSTACK BILL VALIDATOR	

TABLE 80B MONETARY LOCATION OPTIONS

MONETARY CAPABILITY	MONETARY PANEL LOCATION		WITH COIN?
	UPPER	LOWER	
COIN - VAL - CARD	CARD READER	UPSTACK VALIDATOR	YES
COIN - VAL - CARD	DOWNSTACK VALIDATOR	CARD READER	YES
COIN - VAL	INSERT INSTRUCTIONS BACK-UP PLATE (1575048)	UPSTACK VALIDATOR	YES
COIN - VAL	DOWNSTACK VALIDATOR	INSERT INSTRUCTIONS BACK-UP PLATE (1575048)	YES
COIN - CARD	INSERT INSTRUCTIONS BACK-UP PLATE (1575048)	CARD READER	YES
COIN - CARD	CARD READER	INSERT INSTRUCTIONS BACK-UP PLATE (1575048)	YES
VAL - CARD	DOWNSTACK VALIDATOR	CARD READER	NO
VAL - CARD	CARD READER	DOWNSTACK VALIDATOR	NO
COIN ONLY	INSERT INSTRUCTIONS BACK-UP PLATE (1575048)	INSERT INSTRUCTIONS BACK-UP PLATE (1575048)	YES
VAL ONLY	INSERT INSTRUCTIONS BACK-UP PLATE (1575048)	UPSTACK VALIDATOR	NO
VAL ONLY	DOWNSTACK VALIDATOR	INSERT INSTRUCTIONS BACK-UP PLATE (1575048)	NO
CARD ONLY	CARD READER	INSERT INSTRUCTIONS BACK-UP PLATE (1575048)	NO
CARD ONLY	INSERT INSTRUCTIONS BACK-UP PLATE (1575048)	CARD READER	NO

**Note: All Items are secured with four nuts (P/N 9900081).
Shaded items represent alternate configurations.**

TABLE 80C CARD READER OPTIONS

PART NUMBER	DESCRIPTION
1475107	DEBITEK # VIS - MM - NAT SYSTEM III
1575050	BRACKET - DEBITEK CONTROLLER (NO COIN OPTION)
1575052	BRACKET - DEBITEK CONTROLLER (WITH COIN OPTION)

TABLE 80D BILL VALIDATOR OPTIONS

PART NUMBER	DESCRIPTION	HARNESS PART NUMBER
5900198	VALIDATOR - MARS - S2000 - VN2311 - U5E	1579005
3152444	VALIDATOR - MARS - VFM1 - S1 - U4C - CNSMT	
5900182	VALIDATOR - COINCO - BA305A	1579028
5900193	VALIDATOR - MARS - S2000 - VN2511 - U5E - CN5	
5900233	VALIDATOR - CONLUX MKA 2152-12B 120V	
3152391	VALIDATOR - MARS VFM3 - S1 - U4C - CNSMT	
5900248	VALIDATOR - MARS AE 2611 - U5E SERIAL	
5900205	VALIDATOR - MARS - VN2512 - U5E - 24V	1579032 (HARNESS) 9989718 (JUMPER)
5900221	VALIDATOR - COINCO - BA32SA - 24V	
5900234	VALIDATOR - CONLUX - 2162 - 24V - 300	1579006
1475053	VALIDATOR - MAKKA - NB - 1KB - 400 WITH MASK IKI INSTALLED	
5900247	VALIDATOR - MARS AE 2612 - U5M - MDB	--
5900210	VALIDATOR - MARS - VN2512 - USM/500 - MDB	--
5900234	VALIDATOR - COINLUX - 2162 - 24V - 300	1579050
5900283	VALIDATOR - COINCO - MAGPRO - 32R	--
5900284	VALIDATOR - COINCO - MAGPRO - 30SA	1579034
5900285	VALIDATOR - COINCO - MAGPRO - 32SA	
5900287	VALIDATOR - COINCO - MAGPRO - MAG50SA	
5900182	VALIDATOR - COINCO - BA 30SA	
5900290	VALIDATOR - COINCO MAGPRO 52R	

TABLE 80E COIN MECHANISM OPTIONS

PART NUMBER	DESCRIPTION
5900116	MARS TRC6000 COIN UNIT
5307321	COINTRON 3000 - US COIN VAL
5900096	COINCO 9340L COIN UNIT
5900112	MARS MC5000 COIN UNIT
6400002	COIN CHANGER - MARS #TRC 6010XV
6000003	COIN CHANGER - COINCO # 9302LF-24
5900094	COINCO 9300L COIN UNIT
5900192	COIN UNIT - COINLUX USLX00401F
5900213	COIN UNIT - COINCO - 9302 - GX - MDB
5900209	COIN UNIT - CONLUX - USLZ - 001 - MDB
5900214	COIN UNIT - MARS - VN 4510 - MDB
5900216	COIN UNIT - MARS - VN 4000, 110V
5900217	COIN UNIT - MARS - VN 4010 XV - 24V
5900192	COIN UNIT - CONLUX - USLX 00401F
5900237	COIN UNIT - CONLUX - USLX - 001 120V

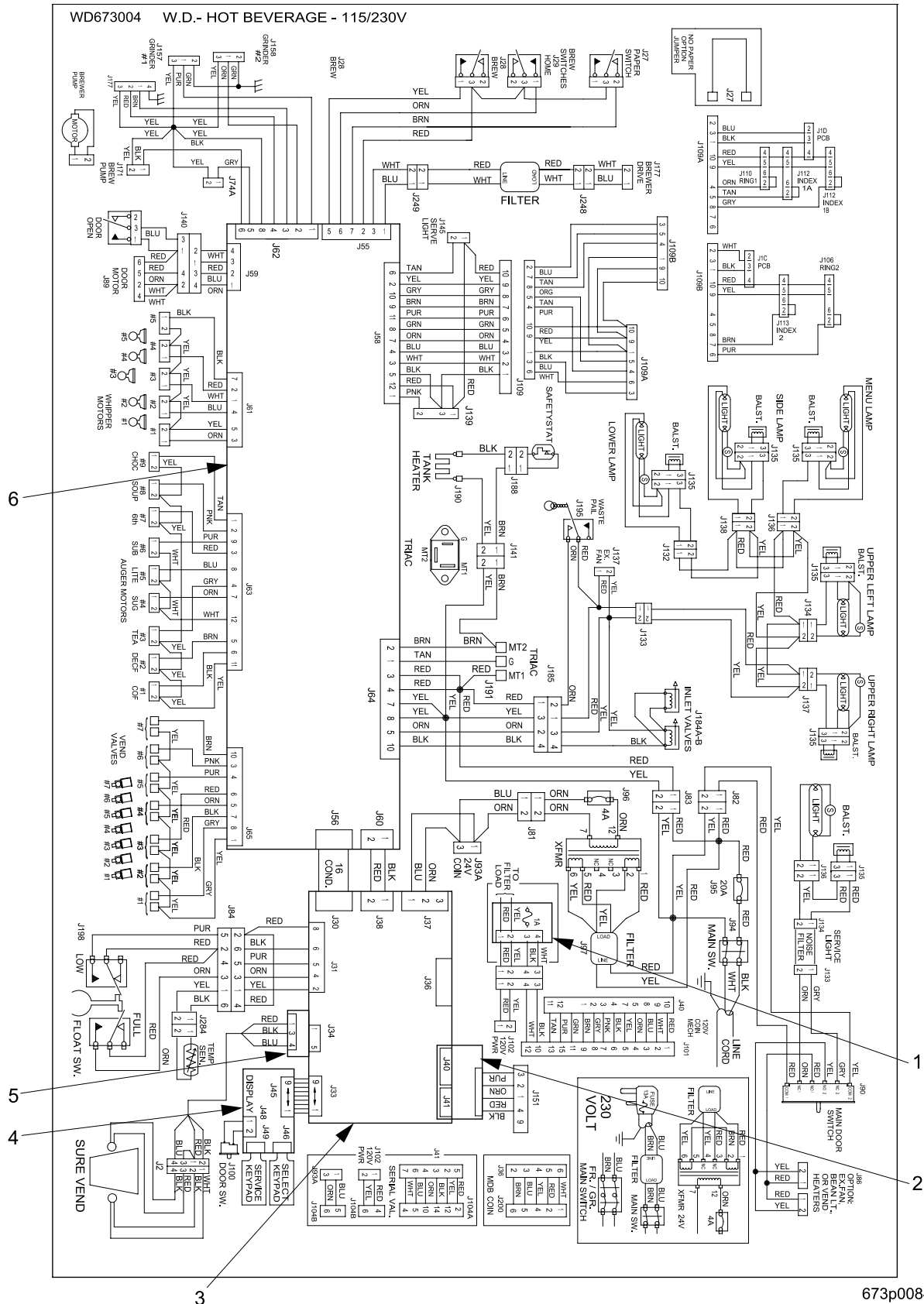


FIGURE 81 WIRING DIAGRAM - HOT BEVERAGE 115/230 VOLT

673p0084

TABLE 81A WIRING DIAGRAM - HOT BEVERAGE 115/230 VOLT

INDEX	PART NUMBER	DESCRIPTION	QTY
1	9989659	PCB ASSEMBLY - DUMB MECH POWR SUPPLY	1
2	9989687	PCB ASSEMBLY - EXECUTIVE INTERFACE	1
3	9989755	PCB ASSEMBLY - MAIN CONTROLLER	1
4	9989685	PCB ASSEMBLY - DISPLAY	1
5	3286019	PCB ASSEMBLY - IR SENSOR INTERFACE	1
6	6736001	PCB ASSEMBLY - HOT DRINK INTERFACE	1

TABLE 81B J CONNECTIONS

J#	PART NUMBER	DESCRIPTION
J2	6559011	HARNESS - SUREVEND
J27	6739005	HARNESS - BREWER SWITCH
J28	6739005	HARNESS - BREWER SWITCH
J29	6739005	HARNESS - BREWER SWITCH
J30	1579008	HARNESS - RIBBON
J31	6339009	HARNESS - FLOAT TEMP
J33	6339017	CABLE - DISPLAY
J34	6559010	HARNESS - SUREVEND
J35	1679056	HARNESS - DEX
J36	1679054	HARNESS - MDB COIN
J37	9989750	HARNESS - 24VAC
J38	9989750	HARNESS - 24VAC
J40	9989687	EXECUTIVE INTERFACE
J41	9989687	EXECUTIVE INTERFACE
J45	6339017	CABLE DISPLAY
J46	7215019	CUSTOMER KEY PAD
J47	9989639	FREEVEND KEY SWITCH
J48	1579009	DOOR SWITCH
J49	6335002	SERVICE KEY PAD
J55	6739005	HARNESS - BREWER SWITCHES
J56	1579008	HARNESS - RIBBON
J57	6739005	HARNESS - BREWER SWITCHES
J58	6559001	HARNESS - CABINET DC
J59	6559001	HARNESS - CABINET DC
J60	9989750	HARNESS - 24VAC
J61	6559008	HARNESS - WHIPPERS
J62	6739012	HARNESS - BREW & GRD

TABLE 81B J CONNECTIONS

J#	PART NUMBER	DESCRIPTION
J63	6739011	HARNESS AUGERS
J64	6339004	HARNESS - CABINET AC
J65	6739016	HARNESS - AC TANK - 1750 WATT
J68A	6739005	HARNESS - BREWER SWITCHES
J69A	6739005	HARNESS - BREWER SWITCHES
J70A	6739005	HARNESS - BREWER SWITCHES
J71	6739012	HARNESS - BREW & GRDE
J80	9989750	HARNESS - 24VAC
J81	9989750	HARNESS - 24VAC
J82	6739010	HARNESS - POWER PANEL
J83	6739010	HARNESS - POWER PANEL
J84	6339021	HARNESS - FLOAT SWITCH
J85	6739055	HARNESS - BREWER SWITCH
J88	6239026	HARNESS - AUTO DOOR
J89	6239026	HARNESS - AUTO DOOR
J90	6339004	HARNESS - CABINET AC
J92	9989750	HARNESS - 24VAC
J94	6739010	HARNESS - POWER PANEL
J95	6739010	HARNESS - POWER PANEL
J96	6739010	HARNESS - POWER PANEL
J97	6739010	HARNESS - POWER PANEL
J100	1579009	HARNESS - DOOR SWITCH
J101	1579003	HARNESS - DUMB MECH
J102	1579003	HARNESS - DUMB MECH
J106	6369005	STIR STICK SOLENOID
J109	6559001	HARNESS - CAB DC
J109A	6739006	JUMPER - CUP MECHS
J109B	6739006	JUMPER - CUP MECHS
J138	2346016	SIDE LIGHT
J133	6739003	JUMPER - POWER TO LIGHTS
J134	6739009	LEFT UPPER LAMP
J137	6739007	RIGHT UPPER LAMP
J136	6739014	MENU LAMP
J138	2346016	SIDE LIGHT
J132	6739009	LOWER LAMP
J137	6559007	HARNESS - HDC AC2
J139	6559009	HARNESS - MUG SENSOR
J140	6559001	HARNESS - CABINET DC

TABLE 81B J CONNECTIONS

J#	PART NUMBER	DESCRIPTION
J141	6739016	HARNESS - AC TANK - 1750 WATT
J145	6559001	HARNESS - CABINET DC
J147	6559009	HARNESS - MUG SENSOR
J151	1679050	HARNESS - EXECUTIVE COIN
J158	6739012	HARNESS - BREW & GRD
J159	6739012	HARNESS - BREW & GRD
J176	6739016	HARNESS - AC TANK - 1750 WATT
J177	6739012	HARNESS - BREW & GRD
J184A	6559007	HARNESS - HDC AC2
J184B	6559007	HARNESS - HDC AC2
J185	6339004	CABINET - AC1
J188	6739016	HARNESS - AC TANK - 1750 WATT
J190	6739016	HARNESS - AC TANK - 1750 - WATT
J191	6739016	HARNESS - AC TANK - 1750 - WATT
J195	6559007	HARNESS - HDC AC2
J198	6339021	HARNESS - FLOAT SW.
J200	6739016	HARNESS - AC TANK - 1750 WATT
J248	6809010	JUMPER - FILTER TO BREW MTR
J249	6809010	JUMPER - FILTER TO BREW MTR
J250	6739014	JUMPER MENU LAMP
J284	6339021	HARNESS - FLOAT SW.

<u>Part Number</u>	<u>Page</u>	<u>Part Number</u>	<u>Page</u>	<u>Part Number</u>	<u>Page</u>
1127808	151	1572011	3, 29	3112163	27
1141054	39, 41, 43	1572013	149	3112164	27
1170206	61, 111	1572242	133, 135	3114114	155
1172021	57, 67	1575002	3	3116127	63
1172059	11	1575003	151	3118011	125
1211105	55	1575012	149	3118035	67
1211110	157	1575029	153	3121150	63
1211112	57	1575035	149	3142138	19
1211141	155	1575044	149	3143009	44
1211161	69, 129	1575048	149, 159	3143011	44
1212159	127	1575050	160	3151058	61
1217159	51, 63, 129	1575052	160	3152391	160
1217160	51, 63, 129	1575057	153	3152444	160
1302289	27	1575058	151	3154059	71, 73, 75, 77
1302290	27	1575080	153	3156015	79
1302291	27	1575091	151	3156032	61
1302324	27	1575094	149, 151, 153	3157060	11, 61, 79, 117, 123, 127
1302326	27	1577008	135	3157068	61
1401110	149, 153	1577038	39, 41, 43, 51	3158023	73
1411194	59	1579003	164	3158061	71, 73, 75, 77
1411195	59	1579008	163	3275003	149
1437204	121	1579009	153, 163, 164	3281074	111
1451097	9, 13, 15, 17, 19, 21, 33, ... 37, 39, 41, 43, 45, ... 49, 51, 67, 69, 71, ... 73, 75, 81, 83, 87, ... 89, 111, 117, 121, . 123, 127, 129, 145, ... 155	1579010	155	3281084	115
1452139	13, 17, 19, 51, 61, 67, ... 153	1592069	3	3281085	111, 117
1452151	19	1592000	155	3281086	155
1457027	... 39, 41, 43, 51, 129	1671022	155	3282005	33
1471054	119	1671041	151	3282006	33
1471098	57	1671050	155	3283002	37
1471237	57	1675006	149	3283004	37
1472178	25, 27	1679005	61	3283013	37
1472223	151	1679050	165	3283014	33, 39
1472250	25	1679054	163	3283018	33
1472251	151	1679056	163	3283022	35, 37
1475026	151	1701025	157	3283031	37
1475053	160	1709001	157	3283032	37
1475072	151	1709006	157	3283053	115
1475089	151	2204093	151	3283054	115
1475107	160	2204513	121	3283055	115
1475119	91, 153	2206028	21	3283058	39, 41, 43
1477020	51	2222031	49, 51	3283069	37
1477113	51	2222095	15, 17, 23, 61	3286019	163
1571021	155	2222096	61	3502097	121
1571022	155	2222110	21	3631171	81, 83, 87, 89
1571078	151	2228011	151	3633007	35
1571079	151	2272036	61	3633008	35, 37
1571112	155	2272052	25, 27	3633010	35
1571113	151	2301057	39, 41, 43, 47	3633011	35
1571115	57	2302053	29, 35, 151	3633015	39
1571161	59	2302218	13	3633031	35
1572010	29	2302223	81, 83, 85, 87, 89	3633032	35
		2346016	15, 17, 23, 61, 164	3635004	151
		3102447	35, 37, 91, 111	3635015	149
		3103133	113, 115	3639011	39
		3106154	61	4027053	129
		3107171	61	4041047	19
		3108048	77	4041102	111
		3108141	49, 51		

Part Number	Page	Part Number	Page	Part Number	Page
4041241	39, 41, 43, 47	6104220	139	6231507	63
4047012	133, 135, 139	6106021	129	6231516	117
4047054	63	6114121	35, 44	6231526	53
4047061	139	6117010	111	6231528	53
4245082	29	6118071	73	6231529	53
4245083	29	6124073	69	6231544	113
4245084	29	6131066	37	6231545	113, 115
4245186	153	6133157	139	6231550	121
4247204	111	6134042	133, 135, 139	6231553	121
4254012	81, 83, 85, 87, 89	6134160	139	6231559	61
4277042	133, 135	6137157	81, 83, 85, 87, 89	6232023	15
4302134	129	6138181	33, 35, 37	6232028	55
4305043	123	6138183	69	6232031	55
4311068	57	6138287	69	6232036	55
4311117	157	6151131	63	6232065	49, 51
4312210	121	6158007	67	6232078	21
4312216	15, 17, 23	6158063	67	6232084	49, 51
4402043	79	6201025	53	6232085	49, 51
4559009	19	6207515	147	6232089	49, 51
4711020	111	6207516	147	6232091	49, 51
4732024	13, 15, 17, 87	6207518	147	6232092	21
4733035	39, 41, 43	6207519	147	6232096	49, 51
4741050	7, 81, 83, 85, 87, 89, 125	6224035	147	6232118	31
4747171	135, 137, 151, 153	6227513	147	6232208	55
4751060	67	6227514	147	6232263	51
5220042	109	6231033	85, 111	6232305	61
5220108	51, 129	6231034	57	6232317	49, 51
5262139	13, 15, 17, 23	6231035	67	6233009	45
5307321	161	6231036	65	6233010	39, 41, 43
5900094	161	6231037	151	6233012	39, 41, 43
5900096	161	6231074	121	6233013	39, 41, 43
5900112	161	6231087	59	6233014	39, 41, 43
5900116	161	6231135	63	6233016	43
5900182	160	6231142	71, 73, 75	6233018	41, 43, 47
5900192	161	6231143	155	6233019	41, 43
5900193	160	6231163	57	6233021	39, 41, 43, 47
5900198	160	6231164	19	6233028	39, 41, 43, 47
5900205	160	6231188	79	6233031	45
5900209	161	6231189	79	6233032	41, 43, 45
5900210	160	6231203	57	6233037	39, 41, 43, 47
5900213	161	6231223	117	6233040	45
5900214	161	6231372	65	6233048	35, 37
5900216	161	6231411	113	6233056	39, 41, 43
5900217	161	6231413	113	6233057	47
5900221	160	6231430	113, 115	6233062	39, 41, 43
5900233	160	6231431	113, 115	6233065	5, 7, 41, 43
5900234	160	6231432	113, 115	6233077	37, 41, 43
5900237	161	6231438	113	6233082	43
5900247	160	6231439	113	6233095	35
5900248	160	6231443	113, 115	6233101	43
5900283	160	6231475	53	6233105	39, 41, 43
5900284	160	6231488	113, 115	6233106	39, 41, 43
5900285	160	6231489	113, 115	6233107	39, 41, 43
5900287	160	6231492	113, 115	6233126	44
5900290	160	6231495	113, 115	6233127	44
6000003	161	6231501	77	6234106	49, 51
		6231503	77	6234295	69

<u>Part Number</u>	<u>Page</u>	<u>Part Number</u>	<u>Page</u>	<u>Part Number</u>	<u>Page</u>
6234516	119	6237222	147	6333009	44
6234603	133	6237223	147	6333010	44
6234620	133	6237224	147	6333011	44
6234628	44	6237225	147	6333012	44
6237008	101	6237227	147	6335002	149, 153, 163
6237014	95, 97, 99, 101, 103, 105, 107, 109	6237252	147	6337020	95, 97, 99, 101, 103, 105, 107, 109
6237016	145	6237271	147	6337021	105, 107
6237020	105, 107	6237272	147	6337022	105
6237023	95, 97, 99, 101, 103	6237288	109	6337023	93, 107
6237031	109	6237301	81, 83, 85, 87, 89	6337024	105
6237046	99	6237303	81, 83, 87, 89	6337025	107
6237049	69, 109	6237306	81, 83, 87, 89, 143, 145	6337030	105, 107
6237050	109	6237313	145	6337032	105, 107
6237053	95, 97, 99, 101, 103, 109	6237314	81, 83, 87, 89	6337044	81, 83, 85, 87, 89
6237062	109	6237315	81, 83, 85, 87, 89	6337049	81, 83, 85, 87, 89
6237063	101, 105, 107	6237335	81, 83, 85, 87, 89	6337057	81, 83, 85, 87, 89, 117
6237064	109	6237336	81, 83, 85, 87, 89	6337058	111
6237065	109	6237340	121	6337076	143
6237066	105, 109	6237342	121	6337078	143
6237068	109	6237347	81, 83, 87, 89	6337079	143
6237069	107, 109	6237356	91, 111	6337082	81, 83, 85, 87, 89
6237074	91	6237421	109	6337085	143
6237075	91	6237424	93, 109	6337093	81, 83, 89
6237076	91	6237436	91	6337109	87, 89
6237077	91	6237438	91	6337110	81, 83
6237078	91	6237439	95	6338015	75
6237087	109	6237446	93, 99	6338016	73, 75
6237095	105, 107, 109	6237517	109	6338017	77
6237106	99	6237518	109	6338021	67, 81, 83, 87, 89
6237108	95, 97	6238068	69	6338027	71
6237110	143	6238070	69, 125	6338046	67
6237111	143	6238074	65	6338047	69
6237115	81, 83, 85, 87, 89	6238075	67	6338049	69
6237116	95, 97, 99, 101, 103, 105, 107	6238084	69	6338050	69
6237119	143	6238090	67	6338051	69
6237157	143	6238104	67	6338053	65
6237165	91	6238112	67	6338054	65
6237167	95, 97, 99, 101, 103	6238113	65	6338058	65
6237170	91, 111	6238136	67	6338059	67
6237171	91	6238137	67	6338060	67
6237172	91	6238166	71, 73, 75, 77	6339000	53
6237174	111	6239026	51, 164	6339004	164, 165
6237176	99, 101, 103	6239048	43	6339009	163
6237177	95, 97	6262021	33	6339017	163
6237179	99	6263002	37	6339021	69, 164, 165
6237181	95, 97, 99, 101, 103	6263003	41	6341007	117
6237184	91	6269013	41	6342040	19
6237192	143	6277202	147	6351005	117
6237193	143	6331009	117	6361040	79
6237194	143	6331089	117, 119	6361041	79
6237195	81, 83, 85, 87, 89	6332052	44	6361042	79
6237201	147	6333004	44	6361051	117
6237202	147	6333005	44	6362021	5
6237206	145	6333006	44	6367018	93
		6333007	44	6369000	79
		6333008	39, 41, 43, 44	6369005	164

Part Number	Page	Part Number	Page	Part Number	Page
6400002	161	6537026 ...	35, 37, 95, 97, 105, 107,	6732031	3
6404004	133, 135		109	6732032	3
6404009	129	6537027	103	6732033	11, 23
6404013	139	6537030	81, 83, 85, 87, 89, 143,	6732034	11
6404015	139		145	6732035	11, 19, 27, 29, 33, 49, 51, 55
6404017	139	6537031	81	6732038	3
6404019	139	6538000	67	6732039	3
6404022	133, 135	6551002	85, 111	6732040	3
6404023	133, 135	6551004	85	6732043	3, 21
6404024	133	6551005	83, 85	6732044	21
6404025	133	6558009	67	6732045	21
6404026	133	6559001	39, 163, 164, 165	6732047	23
6404027	133, 141	6559005	67	6732048	3
6404030	141	6559007	164, 165	6732049	21
6404031	133, 135	6559008	163	6732050	19
6404033	139	6559009	164, 165	6732051	19
6404034	39, 41, 43, 139	6559010	163	6732052	23
6404035	139	6559011	163	6732053	19, 21
6404036	139	6559016	164, 165	6732054	19, 21
6404043	125	6731001	81, 83, 87, 89, 93, 111	6732059	49, 51
6404054	125	6731005	111, 145	6732060	49, 51
6404060	125	6731007	81, 83, 87, 89, 111	6732062	21
6404061	125	6731008	119	6732063	49, 51
6404067	129, 133, 141	6731025	117	6732085	3
6404070	133	6731030	115	6732086	19
6404073	139	6731036	91	6732087	21
6404074	139	6731037	55	6732088	21
6404090	133	6731044	115	6733001	39
6404095	141	6731045	115	6733002	39
6404096	141	6731046	53	6733003	39
6404098	141	6731047	117	6733005	33, 39
6404107	133, 141	6732002	3, 5	6733006	33
6404108	133, 141	6732003	3, 5	6734003	129
6404112	119, 123	6732004	3, 5	6734004	129
6404113	133	6732005	5	6734005	125
6404114	133	6732006	9	6734006	129
6408028	71	6732007	9	6734007	127
6408113	75	6732008	9	6734008	119, 123
6408114	75	6732009	9	6734009	127
6408115	75	6732010	9	6734011	129
6408117	71, 73, 75	6732011	9	6734013	131
6408119	71, 73, 75, 77	6732012	3, 5	6734014	83, 131
6408134	73	6732013	7	6734015	125
6408154	67	6732014	7	6734016	81, 131
6508006	67	6732015	7	6734017	81, 83, 145
6508033	69	6732016	7	6734018	87, 89
6537001	87, 89	6732017	3, 5	6734019	89, 131
6537013	95, 97, 103	6732018	11	6734020	131
6537014	95, 97, 103	6732019	13	6734021	131
6537017	103	6732020	13	6734022	131
6537018	95, 97, 101	6732021	13	6734024	119, 123
6537019	81, 83, 85, 87, 89, 143	6732022	11	6734025	119, 123
6537021	95, 97, 103	6732024	11	6734030	135, 137
6537022	93, 103	6732025	17	6734031	137
6537023	93, 95	6732026	17, 19, 21	6734032	137
6537024	93, 97	6732027	3	6734033	137
6537025	101	6732030	3		

<u>Part Number</u>	<u>Page</u>	<u>Part Number</u>	<u>Page</u>	<u>Part Number</u>	<u>Page</u>
6734034	137	6734100	133	9900081	21, 35, 37, 49, 51, 61, 65, 67, 111, 149, 151, ..153, 157, 159
6734035	137	6736000	155	9900098	59
6734036	137	6736001	155, 163	9900106	151, 153
6734037	137	6736005	155	9900113	39
6734038	137	6737003	145	9900121	27, 39, 41, 43
6734039	137	6737004	145	9900138	145
6734040	137	6737005	93	9900157	51, 91
6734041	137	6737008	145	9900160	29
6734042	137	6737010	145	9900170	27
6734043	137	6737011	81, 83, 85, 87, 89	9900203	77, 153
6734047	135	6738001	111	9900205	73
6734048	135	6738002	111	9900214	81, 83, 85, 87, 89
6734049	135	6738003	117	9900218	57
6734050	135	6738004	67	9900219	61
6734051	135	6738005	65, 67	9900415	. 95, 97, 99, 101, 103, 105, 107
6734052	133	6739003	11, 164	9900425	49, 51
6734053	133, 135, 139	6739005	163, 164	9980332	155
6734054	139	6739006	164	9983778	155
6734055	139	6739007	13, 164	9984094	61, 79, 157
6734056	139	6739009	11, 164	9984629	157
6734057	133	6739010	164	9984636	63
6734058	133, 135	6739011	164	9985248	155
6734059	133, 135	6739012	163, 164, 165	9989046	157
6734060	133, 135	6739013	5	9989100	129, 157
6734061	135	6739014	19, 21, 164, 165	9989369	157
6734064	135	6739021	155, 157	9989639	149, 163
6734065	123, 133	6739055	164	9989659	163
6734066	133	6777000	145	9989673	157
6734067	135	6804055	127	9989674	157
6734068	135	6804061	133	9989676	121
6734070	127	6809010	165	9989685	163
6734072	127	6844001	125	9989687	163
6734073	133	6844006	127	9989750	155, 163, 164
6734074	133	6881040	129	9989755	155, 163
6734076	133	6889000	129	9989823	153
6734077	133	7207027	75	9992400	27
6734078	133	7215019	151, 163	9994000	27
6734080	83, 87, 89	8905011	3, 27	G	
6734081	81, 83, 87, 89	8905012	27	G1472027	7, 9
6734083	81, 83, 87, 89	9900012	63	G1472028	25
6734084	83	9900023	147		
6734085	81	9900034	39, 41, 43, 51		
6734086	81, 83, 87, 89	9900071	13		
6734090	81	9900078	53		

Part NumberPage

Part NumberPage

Part NumberPage

Terms and Conditions of Sale

LIMITED WARRANTY: Subject to the limitation specified herein, all parts included on original equipment manufactured by CRANE MERCHANDISING SYSTEMS and sold to purchaser are warranted for two (2) years from the date of shipment of the equipment in question. This warranty applies only to the original purchaser of the Merchandiser and is null and void if the Merchandiser is sold during the period of warranty.

Defective parts will be repaired or replaced free of charge when the defective part is returned, with transportation charges prepaid by purchaser, to a destination designated by CRANE MERCHANDISING SYSTEMS.

This warranty does not include any cost of service rendered or repairs made by customer or its agents on Merchandiser, or parts, unless authorization to incur such expense has been given in writing by CRANE MERCHANDISING SYSTEMS prior to incurring such expense. This warranty covers labor and service charges performed by CRANE MERCHANDISING SYSTEMS service technicians for the first 90 days of ownership from date of shipment.

This warranty does not apply to A) electrical components, wiring, or circuits or mechanical parts or assemblies damaged as a result of operating the Merchandiser at other than the design voltage and frequency specified on the Electrical Rating Tag, or B) in event of vandalism, fire or negligence, or C) incandescent lamps, neon lamps, fluorescent lamps, ballasts, starters or other expendable items, or D) when seal is broken on electronic boards, or E) when other manufactured components are installed in CRANE MERCHANDISING SYSTEMS Merchandisers.

Replacement parts sold by CRANE MERCHANDISING SYSTEMS as After Market shall be covered for three months from the date shown on the parts invoice. Purchaser must obtain prior RETURN AUTHORIZATION for return of all parts, following guidelines given by CRANE MERCHANDISING SYSTEMS. New, unused parts purchased as After Market can be returned within 30 days from date of parts invoice, with prior authorization from CRANE MERCHANDISING SYSTEMS.

THIS WARRANTY IS IN LIEU OF ALL OTHER WARRANTIES EXPRESS OR IMPLIED, INCLUDING WITHOUT LIMITATION, WARRANTIES OF MERCHANTABILITY OF FITNESS FOR A PARTICULAR PURPOSE. CRANE MERCHANDISING SYSTEMS SHALL NOT BE RESPONSIBLE FOR CONSEQUENTIAL OR PUNITIVE DAMAGES. CRANE MERCHANDISING SYSTEMS neither assumes nor authorizes any person to assume for it any obligation or liability in connection with the sale of said equipment or any part thereof.

