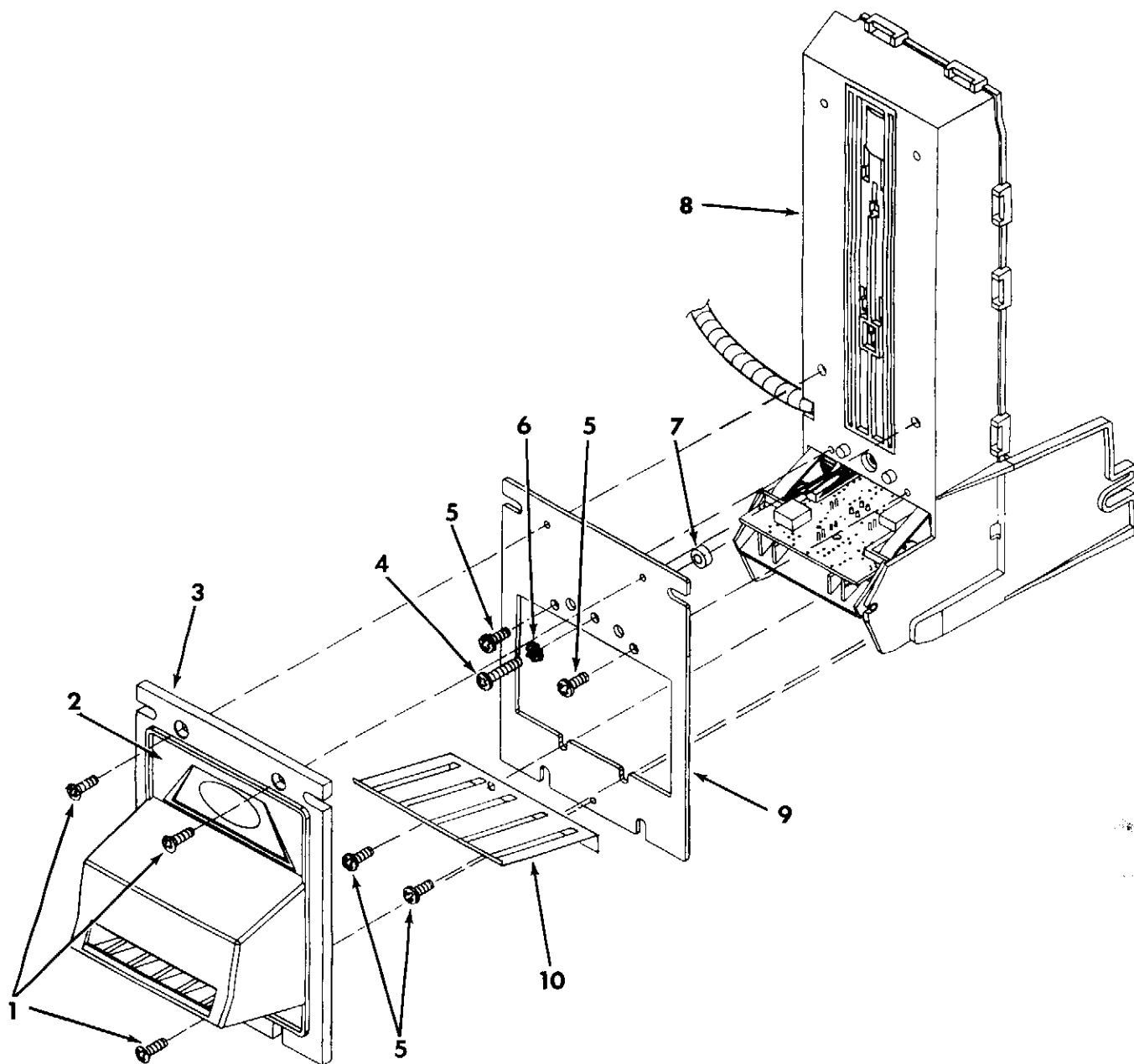


SECTION 6: PARTS LIST

MAIN FRAME

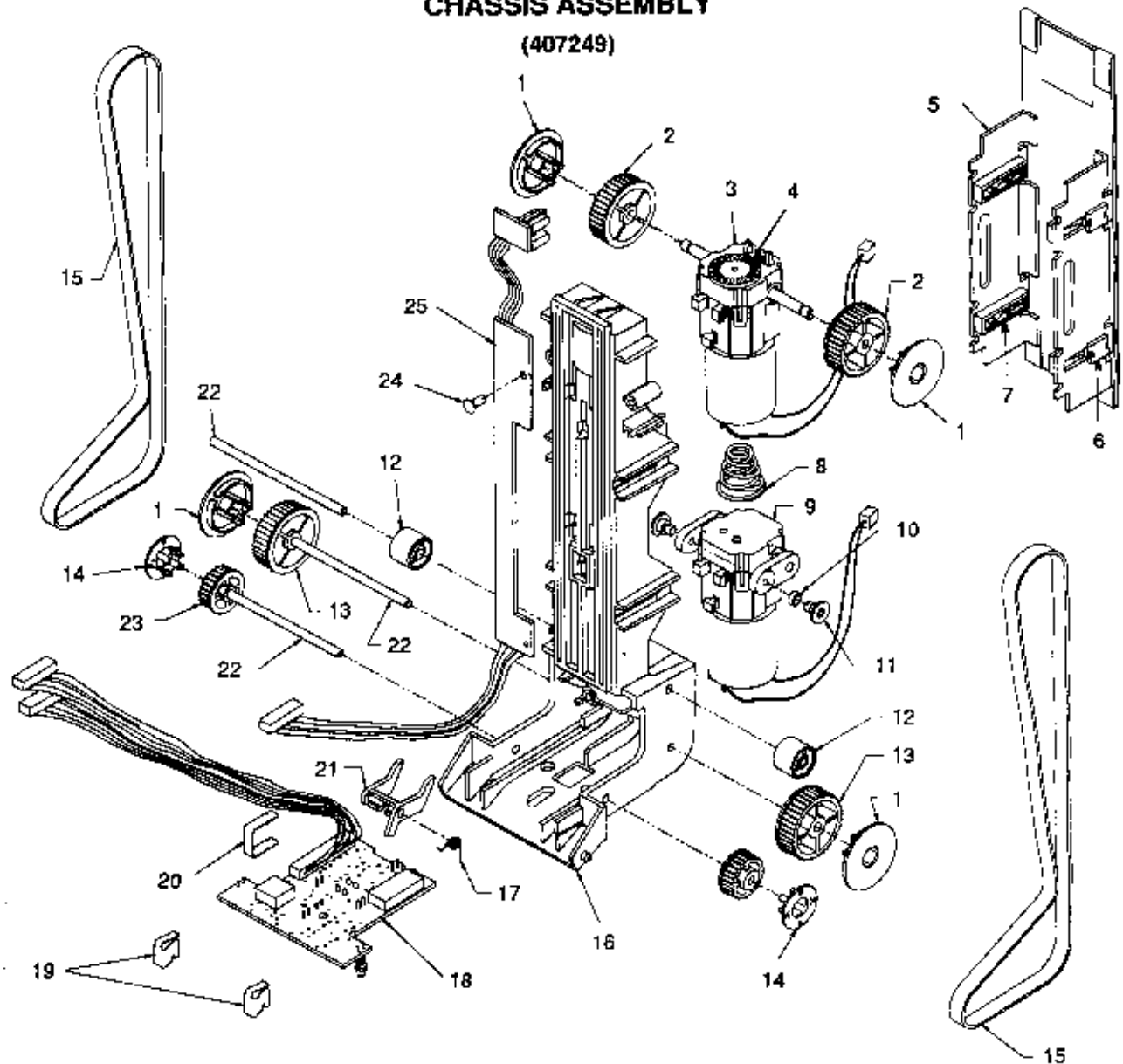


Item No.	Part No.	Description	Qty.
1	921401	Screw	3
2	92111	Decal, Bill Insert	1
3	920808-1	Mask	1
4	3456R11	Screw	1
5	3456R6	Screw	4
6	620-6	Lockwasher	1
7	921198	Spacer	1
8	920807-1	Main Frame	1
9	920065-1	Mounting Frame	1
10	921357	Grounding Spring	1

SECTION 6: PARTS LIST

CHASSIS ASSEMBLY

(407249)



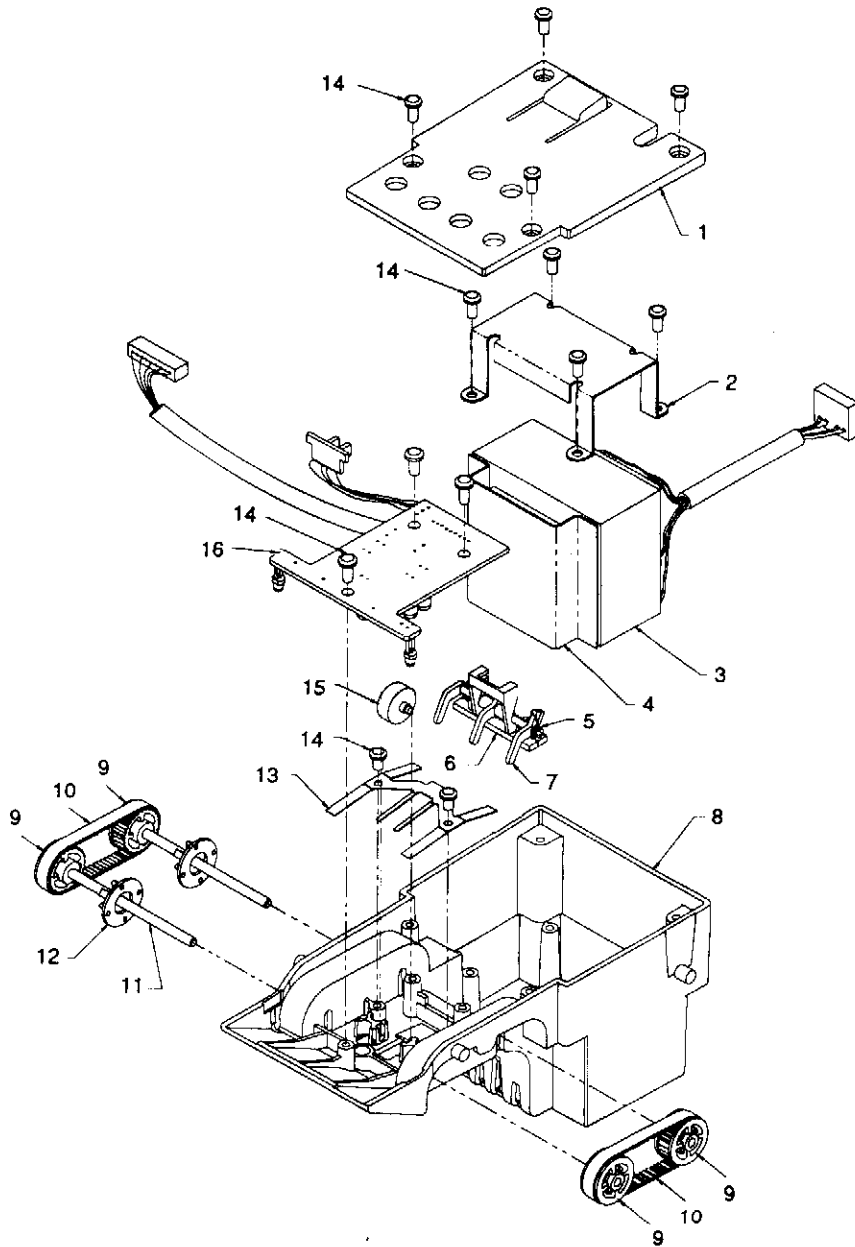
Item No.	Part No.	Description	Qty.
1	902824	Hub, Transport Pulley	4
2	920823	Pulley, Upper Transport	2
3	407254-1	Gearbox, Assy., Transport (Incl. #4)	1
4	920000	Wheel, Incoder	1
5	407252	Stacking Assembly (Incl. #6 and #7)	1
6	920836	Stacker Cap	4
7	920833-1	Stacker Slide	4
8	920335	Spring, Belt Tension	2
9	407253-1	Gearbox Assy., Stacking	1
10	921287	Bearing, Stacker	2
11	921288	Screw, Pushplate Bearing	2
12	920829	Pulley, Idler	2

Item No.	Part No.	Description	Qty.
13	920823-1	Pulley, Lower Transport	2
14	920004	Hub, timing Wheel .670	2
15	921403	Belt, Chassis, Black	2
16	920821-1	Chassis, Upper Housing	1
17	920889	Spring, Anti-Pullback	1
18	407244-6	Sensor Board, Upper	1
19	920827	Clip, Upper Board	2
20	921128	Clip, Wire	1
21	920828	Lever, Anti-Pullback	1
22	920040	Shaft, Wheel	3
23	920825	Pulley, Inlet	2
24	345-4R4	Screw, 4 x 1/4 PH Plastite	1
25	407246-1	Stacker Board, CABA	1

SECTION 6: PARTS LIST

LOWER HOUSING ASSEMBLY

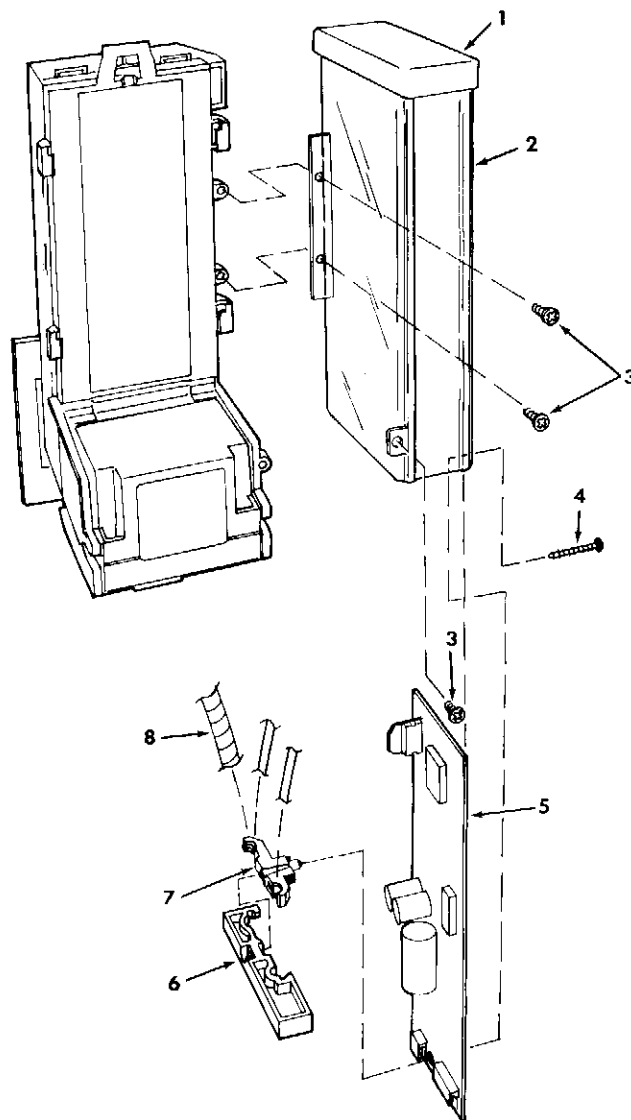
(407248)



Item No.	Part No.	Description	Qty.	Item No.	Part No.	Description	Qty.
1	920817	Bottom Cover	1	9	920003	Pulley, Timing .870	4
2	920820	Bracket, Transformer	1	10	920815	Belt	2
3	920949-2	Transformer Assembly	1	11	920040	Shaft, Wheel	2
4	920890	Shield, Transformer	1	12	920004	Hub, Timing Wheel	4
5	921213	Spring, Anti-Pullback	1	13	921055	Spring, Mag Roller	1
6	920819	Mount, Anti-Pullback	1	14	345-4R4	Screw, 4 x 1/4 PH Plastite	13
7	920818	Lever, Anti-Pullback	1	15	407335	Shaft, Roller Assy., Mag	1
8	920806-1	Frame	1	16	407245-1	Sensor Board, Lower	1

SECTION 6: PARTS LIST

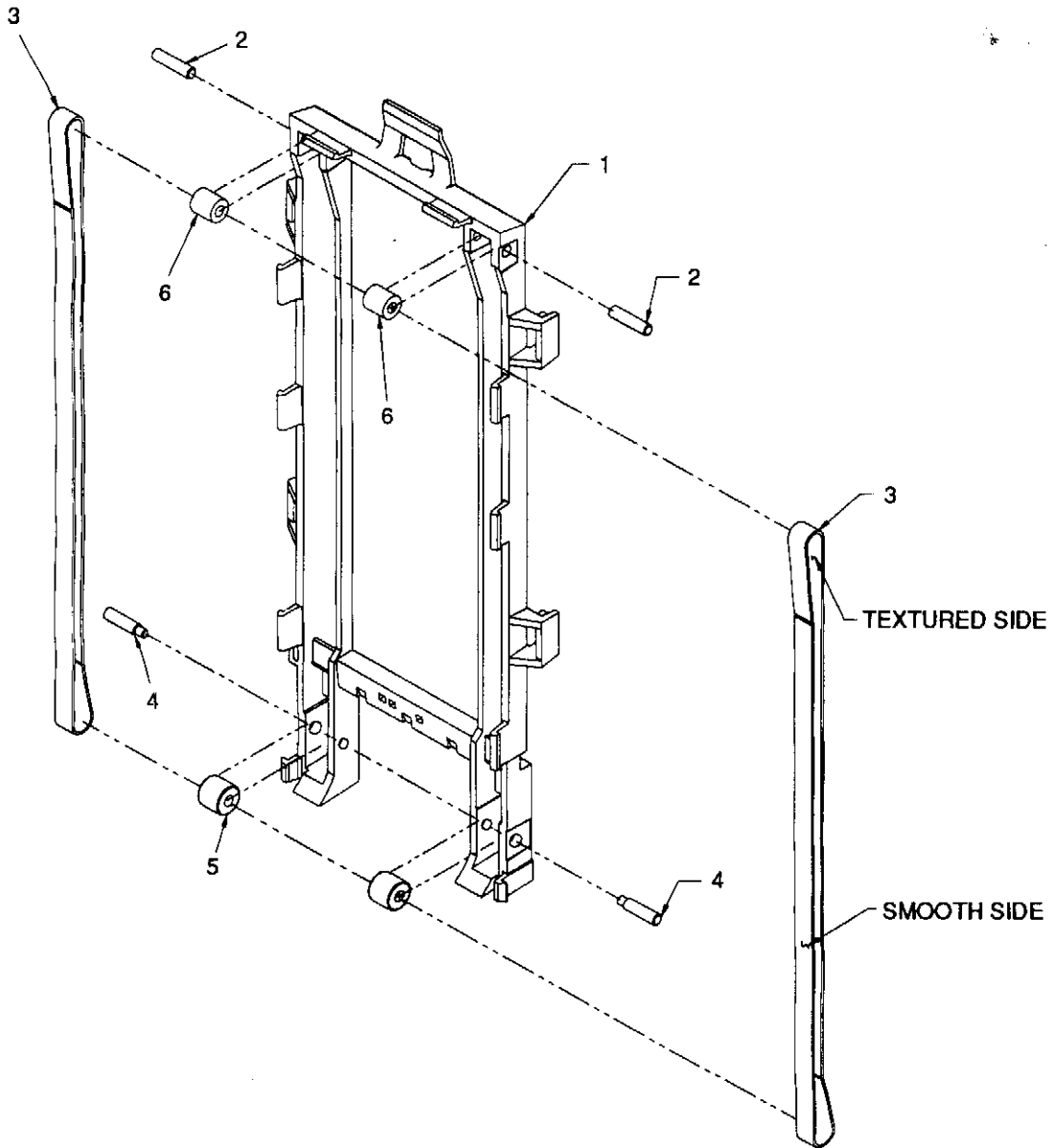
LOGIC BOARD & CASE ASSEMBLY



Item No.	Part No.	Description	Qty.
1	921185	Case, Cap Logic Board	1
2	921179	Base, Logic Board	1
3	3456R6	Screw	3
4	3456R18	Screw	1
5	407383	Logic Board	1
6	921187	Cap Strain Relief	1
7	921186	Mount Strain Relief	1
8	904820-3	Spiral Wrap	1

SECTION 6: PARTS LIST

INTERMEDIATE FRAME ASSEMBLY (407247)



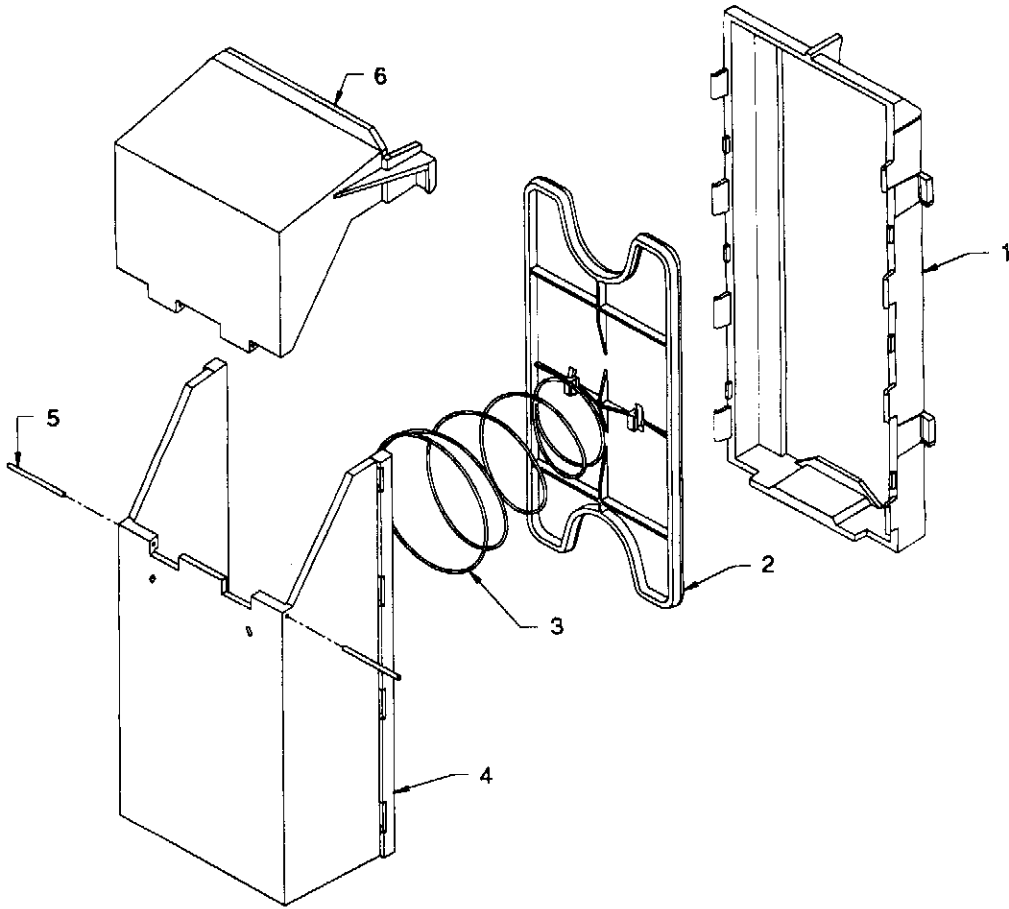
NOTE: Belts to be oriented so the smooth side of belt is facing outward.

Item No.	Part No.	Description	Qty.
1	920809-1	Frame	1
2	920813	Shaft	2
3	921296	Belt, Wide	2
4	921294	Shaft, LWR	2
5	921295	Pulley, Floating	2
6	921133-1	Pulley, UPR	2

SECTION 6: PARTS LIST

CASHBOX ASSEMBLY

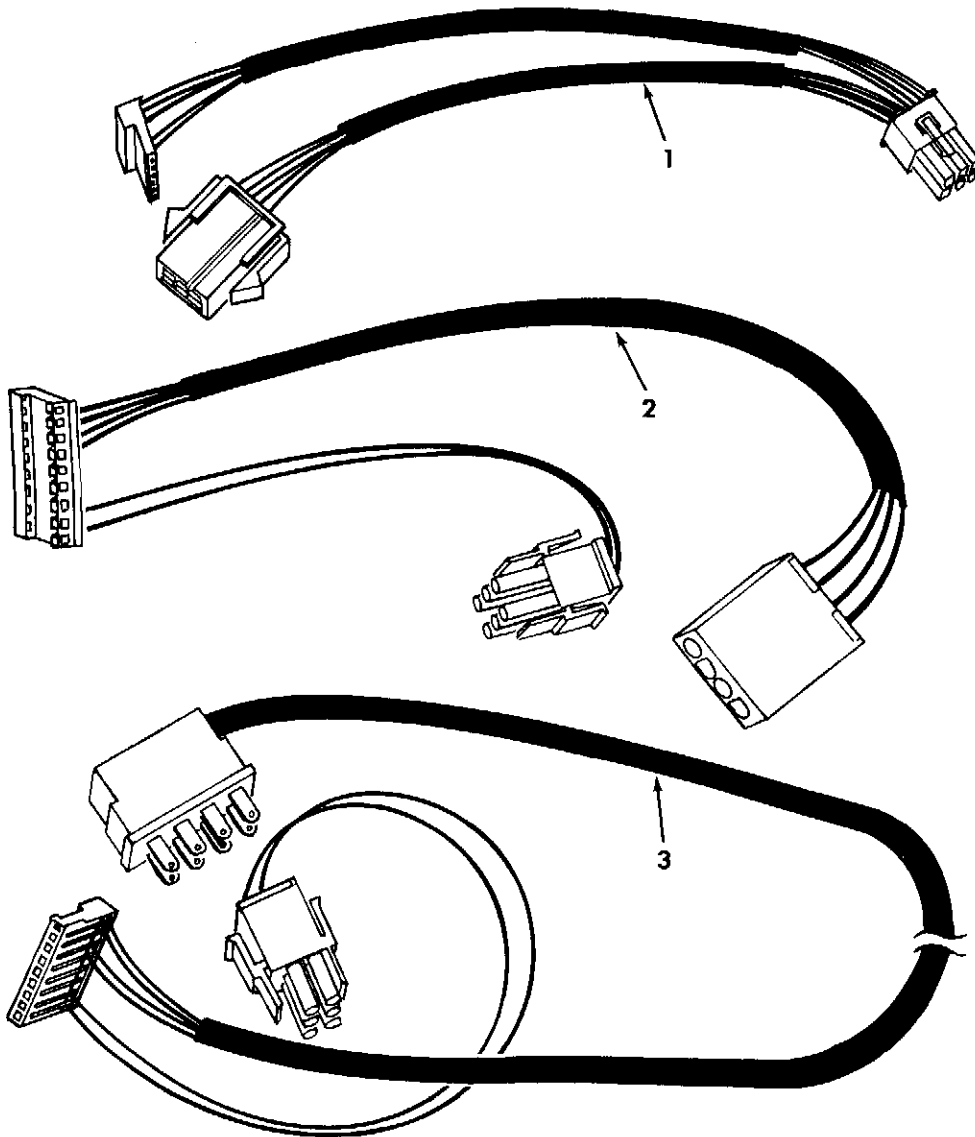
(407251)



Item No.	Part No.	Description	Qty.
1	920837-1	Frame	1
2	920619-1	Plate	1
3	920839	Spring	1
4	920055-1	Housing	1
5	920043	Shaft	2
6	920838-1	Lid	1

SECTION 6: PARTS LIST

HARNESSES



Item No.	Part No.	Description	Qty.
1	407420	Harness	1
2	407419	Harness	1
3	407052-1	Harness	1