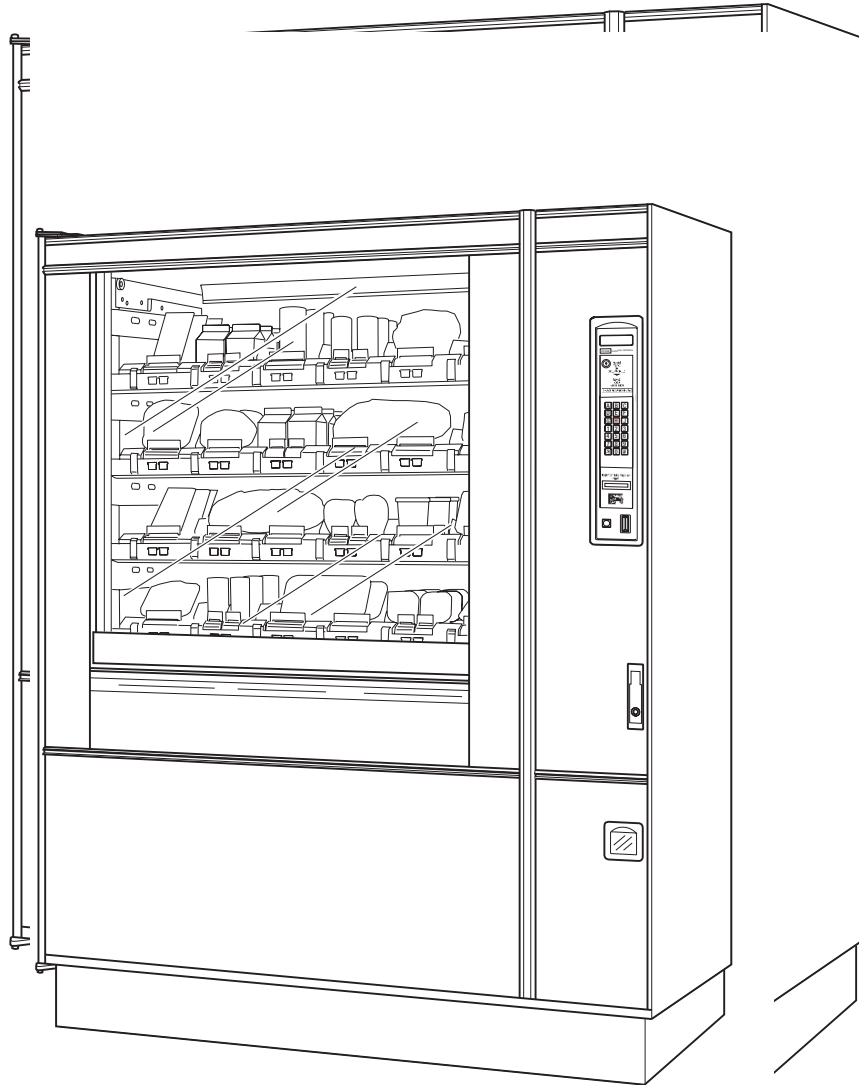


Model 428

FoodCenter



PARTS MANUAL

CRANE NATIONAL VENDORS

12955 Enterprise Way
Bridgeton, Missouri 63044-1200
(314) 298-3500
www.nationalvendors.com

Copyright© 6-99

4280011

List of Figures

Figure.....	Page
1. FoodCenter Merchandiser - Part 1	2
2. FoodCenter Merchandiser - Part 2	4
3. Standard Trim - Main Door	6
4. Millennia Trim - Main Door	10
5. Standard Trim - Monetary Door	12
6. Millennia Trim - Monetary Drawer	16
7. Monetary Panel and Button Assembly - Millennia Styling	18
8. Door Assembly	20
9. Door Light Assemblies	22
10. Inner Door and Vend Mechanism - Part 1 of 2	24
11. Inner Door and Vend Mechanism - Part 2 of 2	26
12. Latch Mechanism Assembly - Auto Door	28
13. Motor and Vend Door Control Assembly, Auto Vend Door - Part 1 of 2	30
14. Motor and Vend Door Control Assembly, Auto Vend Door - Part 2 of 2	32
15. Vend Door Control Assembly	34
16. Monetary Door - Part 1	36
17. Monetary Drawer - Part 2	38
18. Monetary Inserts - Upper Position	40
19. Monetary Inserts - Lower Position	41
20. Monetary Drawer - Part 3	42
21. Monetary Drawer - Part 4	44
22. Monetary Drawer - Part 5	46
23. Door Lock and Handle Assembly - Standard	48
24. Door Lock and Handle Assembly - Millennia Style	50
25. Coin Receptacle Assemblies	52
26. Faceplate Assembly	54
27. Card Reader and Bill Validator Combinations	56
28. Cabinet Assembly - Main Compartment - Part 1	60
29. Cabinet Assembly - Main Compartment - Part 2	62
30. Cabinet Assembly - Main Compartment - Part 3	64
31. Cabinet Assembly - Main Compartment - Part 4	66
32. Cabinet Assembly - Main Compartment - Part 5	68
33. Cabinet Assembly - Main Compartment - Part 6	70
34. Cabinet Assembly - Main Compartment - Part 7	72
35. Cabinet Assembly - Main Compartment - Part 8	74
36. Cabinet Assembly - Monetary Compartment - Part 1	76
37. Cabinet Assembly - Monetary Compartment - Part 2	78
38. Cabinet Assembly - Monetary Compartment - Part 3	80
39. Power Panel Assembly - Domestic	82
40. Power Panel Assembly - UK	84
41. Power Panel Assembly - 230 V	86

FoodCenter Parts Manual

42.	Drive Assembly - Tray Door	88
43.	Door Check Assembly - Tray Lock	90
44.	Blower Door Assembly	92
45.	Blower Motor and Bracket Assembly	94
46.	Center Light Assembly	96
47.	Tray Support Assemblies - Left.....	98
48.	Tray Support Assembly - Right	100
49.	Bar and Rack Assembly - Drive Tray.....	102
50.	Brake Arm, Plate and Lever Assembly	104
51.	Drive Motor Assembly - Final.....	106
52.	Drive Motor Assembly	108
53.	Brake Solenoid and Arm Plate Assembly.....	110
54.	Bracket, Arm, and Solenoid Assembly - Elevator Stop	112
55.	Elevator Channel Assembly - Right	114
56.	Tray Assembly - Elevator	116
57.	Horizontal Selector Assembly	118
58.	Channel Assembly - Horizontal.....	120
59.	Moveable Panel, Bracket, and Arm Assembly	122
60.	Tray Assembly - Final	124
61.	Tray Assembly	126
62.	Drive Shaft Assembly - Tray	128
63.	Module Assembly - 5, 7, 9, 18 Capacity	130
64.	Gear Assembly - 18 Capacity	134
65.	Drive Shaft Assembly - Module	136
66.	Hatch Assembly	138
72.	Base Plate Assembly - Standard and Millennia.....	144

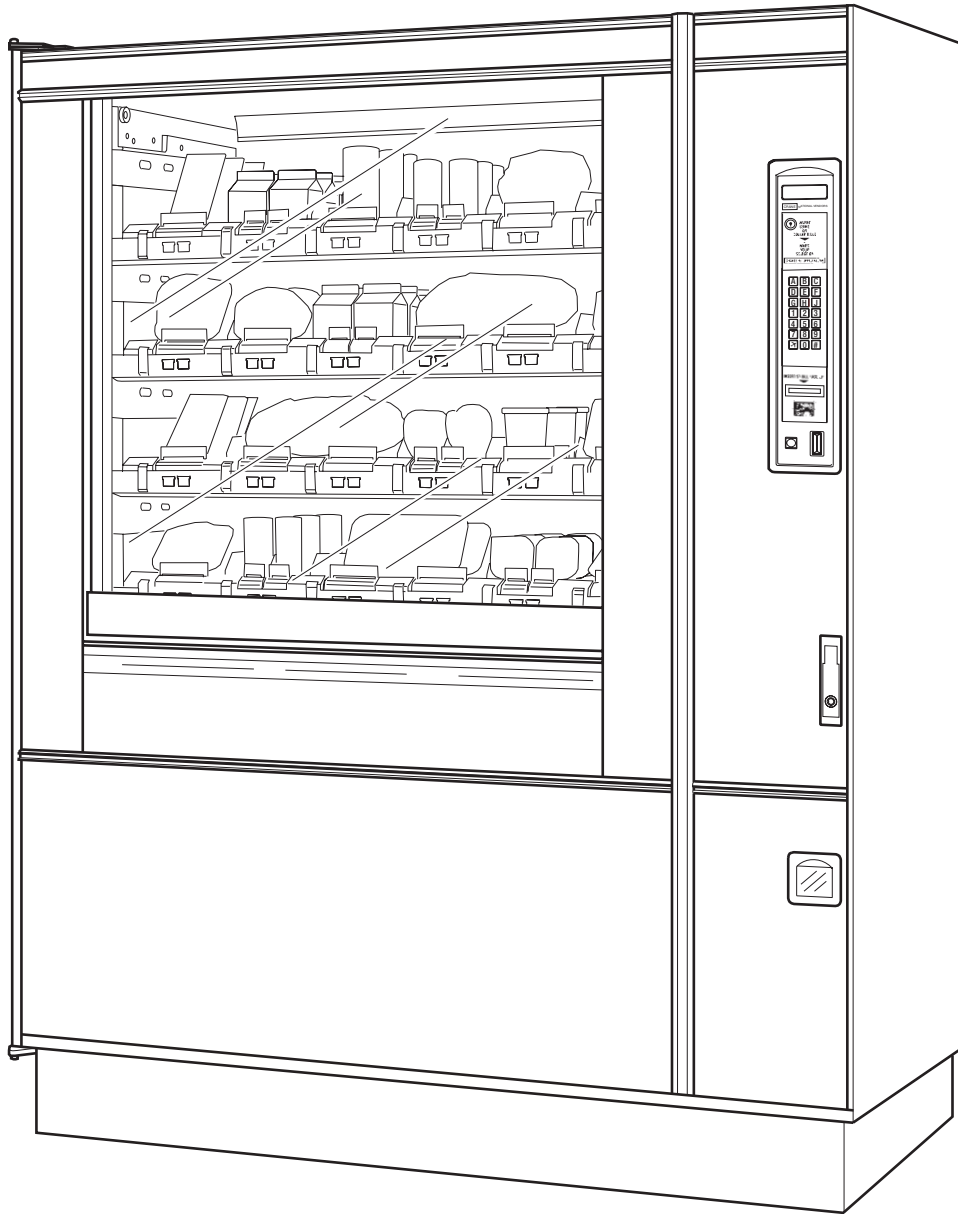
List of Tables

Table	Page
1. Foodcenter Merchandiser - Part 1	3
2. Foodcenter Merchandiser - Part 2	5
3. Standard Trim - Main Door	7
3 A. Top Trim Panel	7
3 B. Left Side Trim Panel	8
3 C. Bottom Trim Panel	9
4. Millennia Trim - Main Door	11
5. Standard Trim - Monetary Door	13
5 A. Upper Trim Panel	13
5 B. Right Hand Trim Panel	14
5 C. Lower Trim Panel - With Coin	15
6. Millennia Trim - Monetary Drawer	17
7. Monetary Panel and Button Assembly - Millennia Styling	19
8. Door Assembly	21
9. Door Light Assemblies	23
10. Inner Door and Vend Mechanism - Part 1 Of 2	25
11. Inner Door and Vend Mechanism - Part 2 Of 2	27
12. Latch Mechanism Assembly - Auto Door	29
13. Motor and Vend Door Control Assembly, Auto Vend Door - Part 1 Of 2	31
14. Motor and Vend Door Control Assembly, Auto Vend Door - Part 2 Of 2	33
15. Vend Door Control Assembly	35
16. Monetary Door - Part 1	37
17. Monetary Drawer - Part 2	39
20. Monetary Drawer - Part 3	43
21. Monetary Drawer - Part 4	45
22. Monetary Drawer - Part 5	47
23. Door Lock and Handle Assembly - Standard	49
24. Door Lock and Handle Assembly - Millennia Style	51
25. Coin Receptacle Assemblies	53
26. Faceplate Assembly	55
27. Card Reader and Bill Validator Combinations	57
27 A. Monetary Location Options	57
27 B. Card Reader Options	58
27 C. Bill Validator Options	58
27 D. Coin Mechanism Options	59
28. Cabinet Assembly - Main Compartment - Part 1	61
29. Cabinet Assembly - Main Compartment - Part 2	63
30. Cabinet Assembly - Main Compartment - Part 3	65
31. Cabinet Assembly - Main Compartment - Part 4	67
32. Cabinet Assembly - Main Compartment - Part 5	69
33. Cabinet Assembly - Main Compartment - Part 6	71

FoodCenter Parts Manual

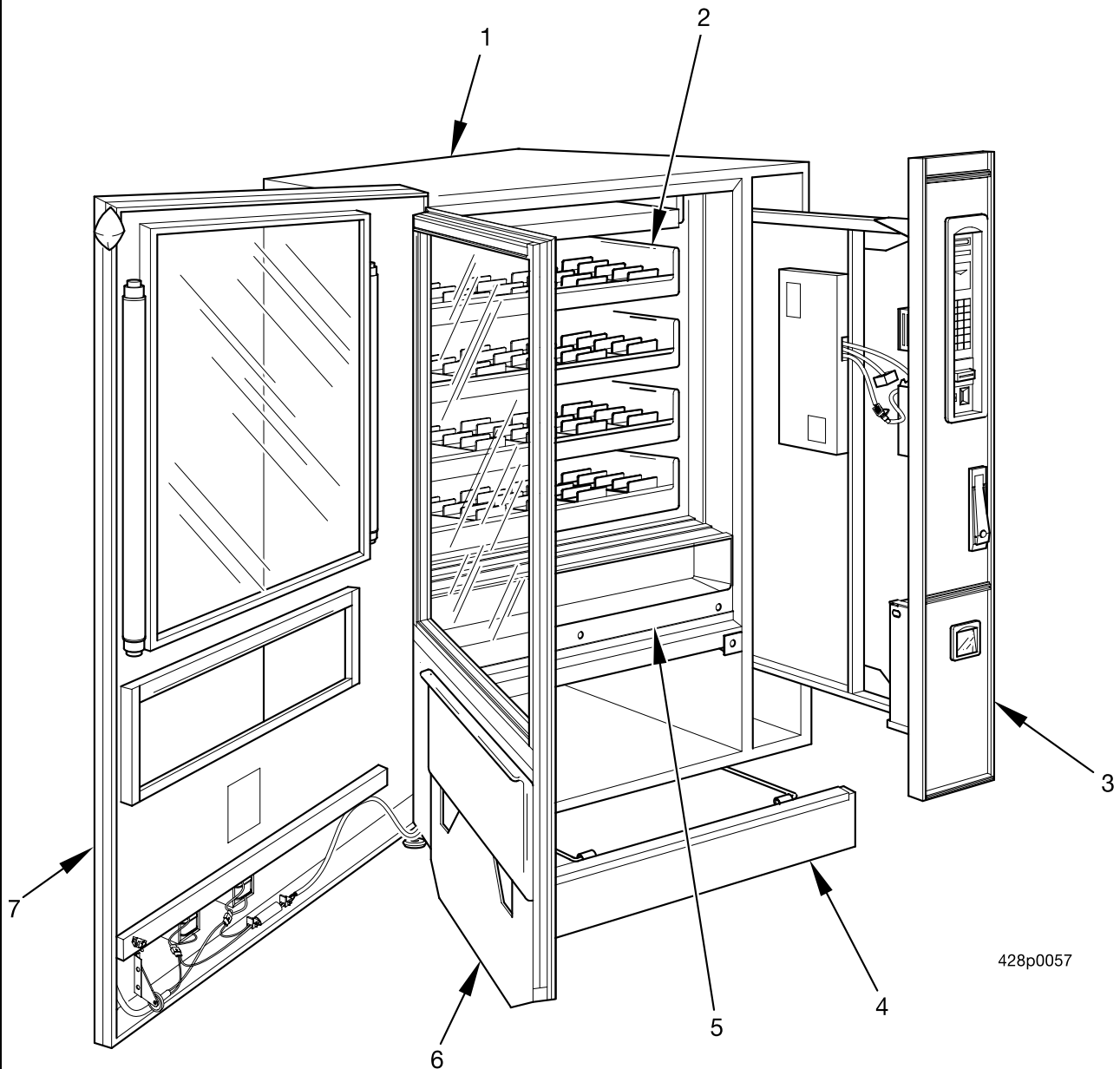
34.	Cabinet Assembly - Main Compartment - Part 7	73
35.	Cabinet Assembly - Main Compartment - Part 8	75
36.	Cabinet Assembly - Monetary Compartment - Part 1	77
37.	Cabinet Assembly - Monetary Compartment - Part 2	79
38.	Cabinet Assembly - Monetary Compartment - Part 3	81
39.	Power Panel Assembly - Domestic	83
40.	Power Panel Assembly - UK	85
41.	Power Panel Assembly - 230 V	87
42.	Drive Assembly - Tray Door	89
43.	Door Check Assembly - Tray Lock	91
44.	Blower Door Assembly	93
45.	Blower Motor and Bracket Assembly	95
46.	Center Light Assembly	97
47.	Tray Support Assemblies - Left	99
48.	Tray Support Assembly - Right	101
49.	Bar and Rack Assembly - Drive Tray	103
50.	Brake Arm, Plate and Lever Assembly	105
51.	Drive Motor Assembly - Final	107
52.	Drive Motor Assembly	109
53.	Brake Solenoid and Arm Plate Assembly	111
54.	Bracket, Arm, and Solenoid Assembly - Elevator Stop	113
55.	Elevator Channel Assembly - Right	115
56.	Tray Assembly - Elevator	117
57.	Horizontal Selector Assembly	119
58.	Channel Assembly - Horizontal	121
59.	Moveable Panel, Bracket, and Arm Assembly	123
60.	Tray Assembly - Final	125
61.	Tray Assembly	127
62.	Drive Shaft Assembly - Tray	129
63.	Module Assembly - 5, 7, 9, 18 Capacity	131
64.	Gear Assembly - 18 Capacity	135
65.	Drive Shaft Assembly - Module	137
66.	Hatch Assembly	139
67.	Harness Usage	140
68.	Refrigeration Components	141
69.	B4280000 - Bag Assembly USA	142
70.	B4280001 - Bag Assembly UK	142
71.	B4280002 - Bag Assembly France, Germany, Sweden	142
72.	B4280003 - Bag Assembly Australia	143
73.	Base Plate Assembly - Standard and Millennia	145
74.	Miscellaneous Assemblies Not Shown	145

FoodCenter Parts Manual



Food Center Merchandiser

FoodCenter Parts Manual



428p0057

Figure 1. FoodCenter Merchandiser - Part 1

FoodCenter Parts Manual

TABLE 1. FOODCENTER MERCHANDISER - PART 1

INDEX	PART NUMBER	DESCRIPTION	QTY.
1	-	CABINET ASSEMBLY (SEE FIGURE 28)	1
2	-	TRAY ASSEMBLEIS (SEE FIGURE 56)	4
3	-	MONETARY DRAWER (SEE FIGURE 16)	
4	4251204	BASE PLATE & ACCY ASSEMBLY - "T"BLK (SEE FIGURE 72)	OPT
5	-	ELEVATOR SYSTEM	1
6	-	INNER DOOR AND VEND MECHANISM (SEE FIGURE 10)	1
7	-	DOOR ASSEMBLY - STANDARD (SEE FIGURE 8)	1
		DOOR ASSEMBLY - MILLENNIA (SEE FIGURE 8)	

FoodCenter Parts Manual

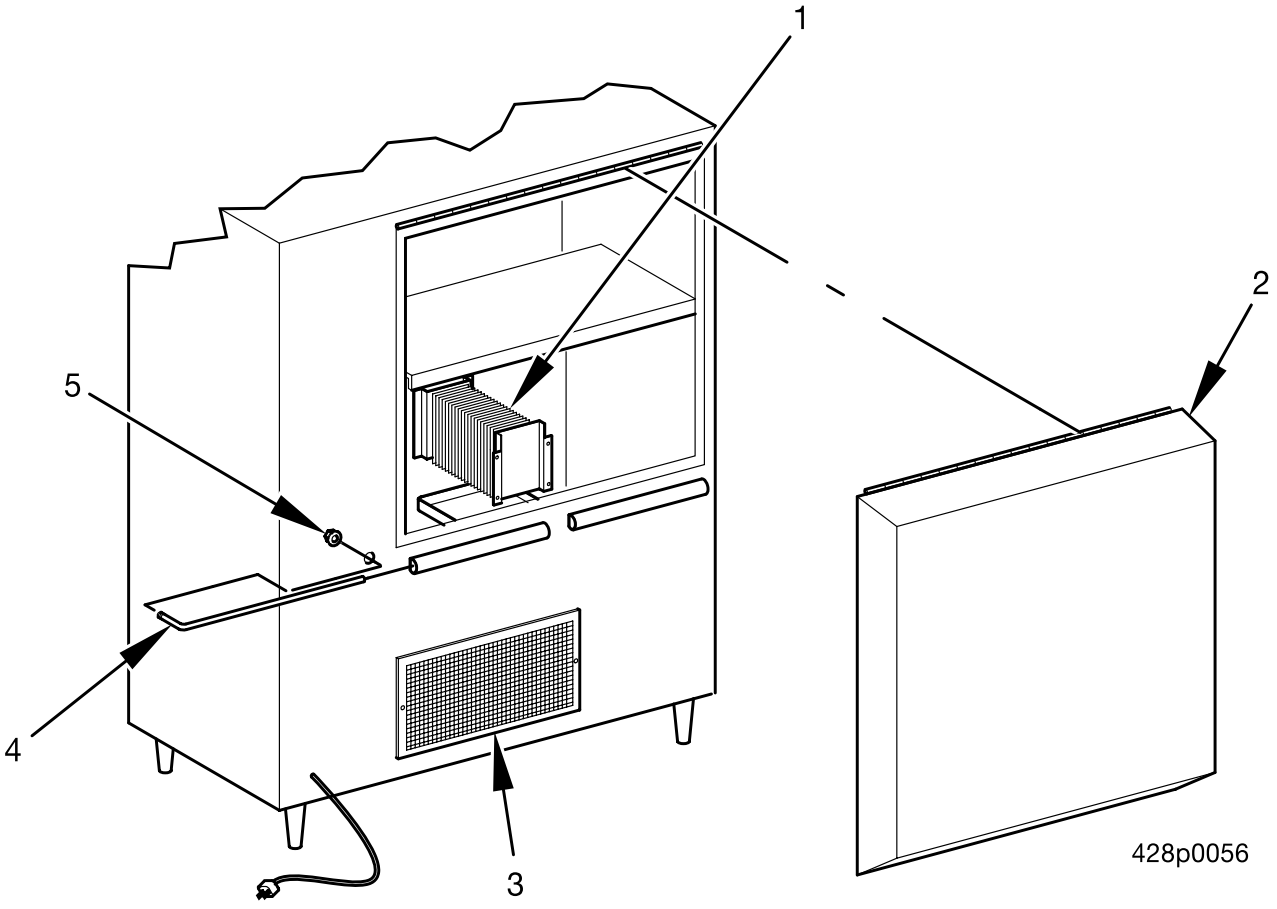


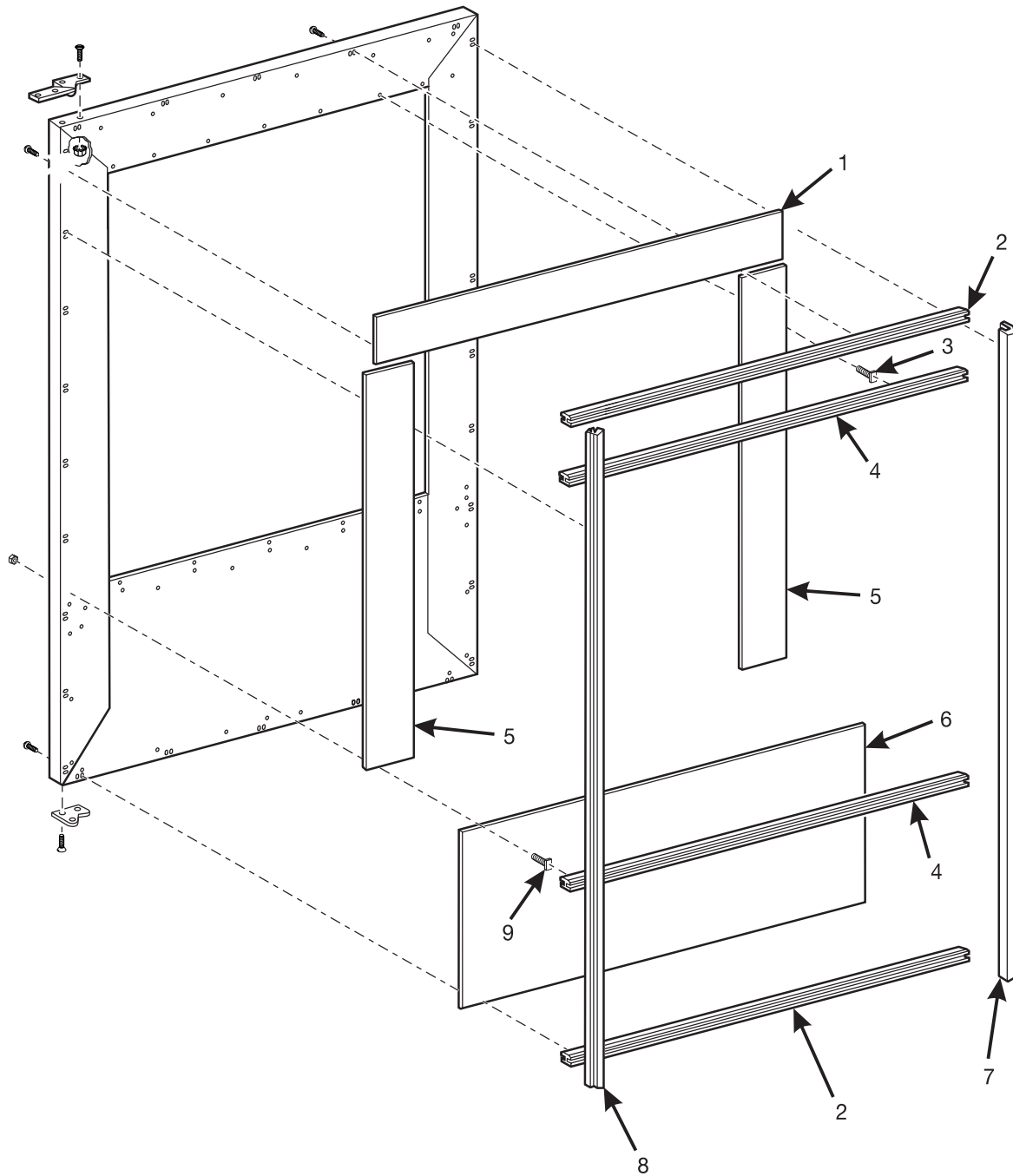
Figure 2. FoodCenter Merchandiser - Part 2

FoodCenter Parts Manual

TABLE 2. FOODCENTER MERCHANDISER - PART 2

INDEX	PART NUMBER	DESCRIPTION	QTY.
1	-	REFRIGERATION SYSTEM (SEE TABLE 68)	1
2	-	HATCH ASSEMBLY (SEE FIGURE 66)	1
3	4241114	SCREEN ASSEMBLY EXHAUST - UNPAINTED	1
4	4243011	PIN - LATCH - HATCH	1
5	1172021	NUT - 1/4 - 20 WHIZ - LOCK	1

FoodCenter Parts Manual



428P0024

Figure 3. Standard Trim - Main Door

FoodCenter Parts Manual

TABLE 3. STANDARD TRIM - MAIN DOOR

INDEX	PART NUMBER	DESCRIPTION	QTY.
1	-	TOP TRIM PANEL (SEE TABLE 3 A)	1
2	4242041	TRIM ASSEMBLY DOOR	2
	4252055	TRIM ASSEMBLY - DOOR - BLK - SERIES 2000	
	4242041	TRIM ASSEMBLY DOOR - CLEAR (INCLUDES FOLLOWING 2 ITEMS)	
	4242156	TRIM INSERT (BLACK)	
	4242157	TRIM DOOR (CLEAR)	
	4252055	TRIM ASSEMBLY DOOR - CLEAR (INCLUDES FOLLOWING 2 ITEMS)	
	4242156	TRIM INSERT (BLACK)	
	4252056	TRIM DOOR - BLACK - SERIES 2000	
3	2222031	TEE BOLT - TRIM	
4	4242040	TRIM ASSEMBLY DOOR - CLEAR (INCLUDES FOLLOWING 2 ITEMS)	2
-	4242155	TRIM DOOR HORIZ (CLEAR)	-
-	4242156	TRIM INSERT (BLACK)	-
5	-	LEFT SIDE TRIM PANEL (SEE TABLE 3 B)	2
6	-	BOTTOM TRIM PANEL (SEE TABLE 3 C)	1
7	4242163	TRIM - MAIN DOOR - RT.SIDE(CLEAR)	1
	4242293	TRIM - DOOR - R.H.SIDE - BLK IBM	
8	1302409	TRIM - DOOR - SIDE (CLEAR)	1
	1452203	TRIM DOOR - SIDE - BLACK - IBM	
9	2222110	T BOLT TRIM	4

TABLE 3 A. TOP TRIM PANEL

PART NUMBER	DESCRIPTION
4252009	PANEL - TOP TRIM - PRES WAL
4252173	PANEL - TOP TRIM - BLACK PICA
4252212	PANEL - TOP TRIM - DOVE
4252213	PANEL - TOP TRIM - STERLING
4252080	PANEL - TOP TRIM - BISON
4252076	PANEL - TOP TRIM - SLATE
4252035	PANEL - TOP TRIM - TEAK
4252057	PANEL - TOP TRIM - VINYL SPCL
4252034	PANEL - TOP TRIM - LAMINATE
4252033	PANEL - TOP TRIM - ENAMEL
4252169	PANEL - TOP TRIM - WHITE HAIRCELL
4252134	PANEL - TOP TRIM - WHITE VINYL
4252109	PANEL - TOP TRIM - KASHMIR WALNUT

FoodCenter Parts Manual

TABLE 3 B. LEFT SIDE TRIM PANEL

PART NUMBER	DESCRIPTION
4252083	PANEL - L.H.TRIM - PORT AU PRINCE
4252041	PANEL - L.H.TRIM - PRES.WALNUT
4252048	PANEL - SIDE - DOVE
4252171	PANEL - SIDE - BLACK PICA
4252082	PANEL - L.H.TRIM - MOROCCO
4252122	PANEL - SIDE - SLATE
4252112	PANEL - SIDE - PEWTER
4252129	PANEL - SIDE - PLAT.GREY
4252127	PANEL - SIDE - COMP.OAK
4252045	PANEL - SIDE - TEAK
4252058	PANEL - SIDE - VINYL SPCL
4252044	PANEL - SIDE - LAMINATE
4252042	PANEL - SIDE - ENAMEL
4252167	PANEL - SIDE - WHITE HAIRCELL
4252135	PANEL - SIDE - WHITE VINYL
4252110	PANEL - SIDE - KASHMIR WALNUT

FoodCenter Parts Manual

TABLE 3 C. BOTTOM TRIM PANEL

PART NUMBER	DESCRIPTION
4242039	PANEL - BOT TRIM - PRES WAL (IC)
4252123	PANEL - BOT TRIM - DOVE
4252161	PANEL - BOT TRIM - STERLING
4252172	PANEL - BOT TRIM - BLACK PICA
4252081	PANEL - BOT.TRIM - BISON
4252113	PANEL - BOT TRIM - SLATE
4252158	PANEL - BOT TRIM - PEWTER
4252128	PANEL - BOT TRIM - PLAT.GREY
4252126	PANEL - BOT TRIM - COMP.OAK
4242175	PANEL - BOT TRIM - VINYL SPCL
4242054	PANEL - BOT TRIM - TEAK
4242053	PANEL - BOT TRIM - LAMINATE
4242051	PANEL - BOT TRIM - ENAMEL
4252168	PANEL - BOT TRIM - WHITE HAIRCELL
4252136	PANEL - BOT TRIM - WHITE VINYL
4252111	PANEL - BOT TRIM - KASHMIR WALNUT
4285110	PANEL - LOWER TRIM - PICA - NO COIN

FoodCenter Parts Manual

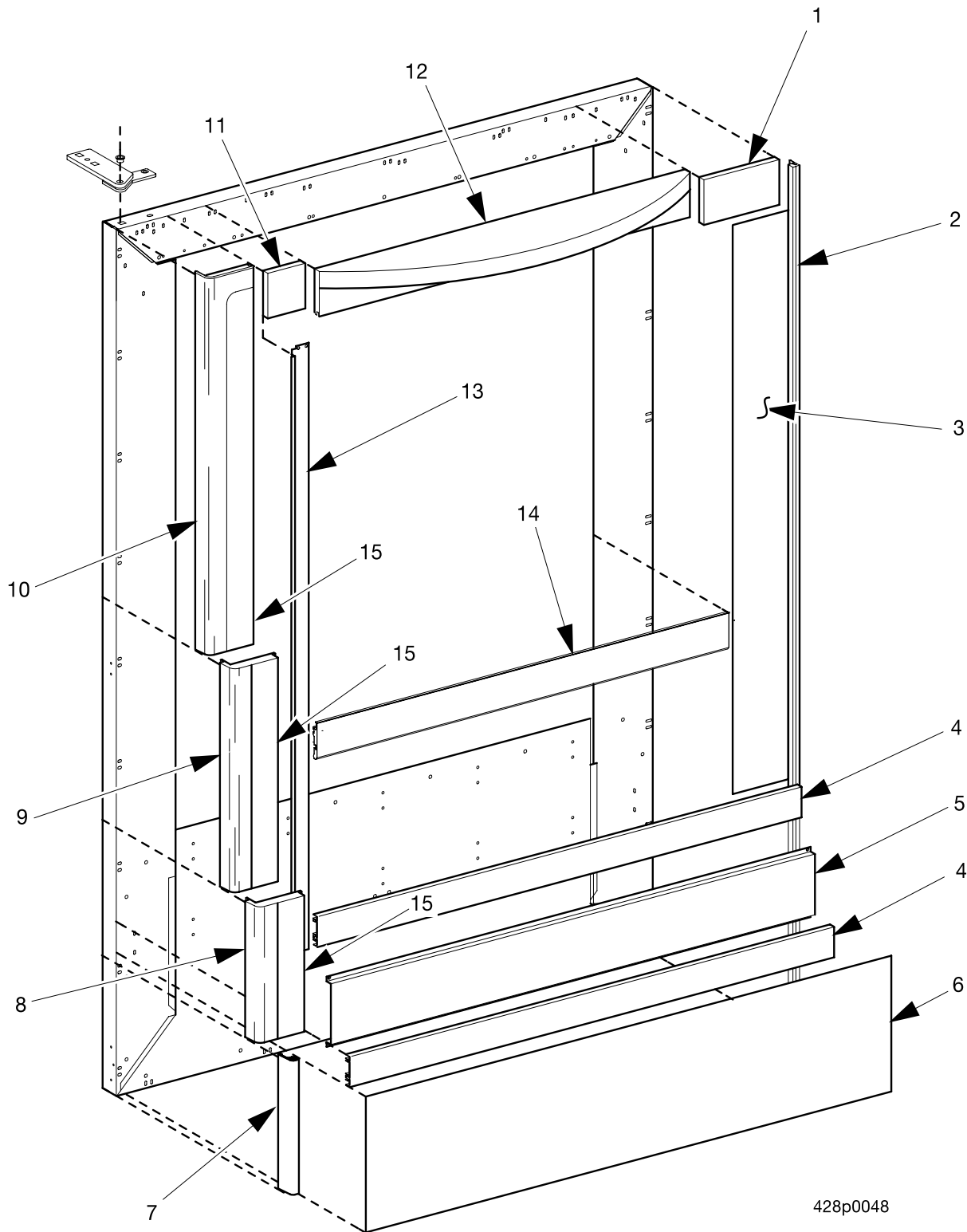


Figure 4. Millennium Trim - Main Door

FoodCenter Parts Manual

TABLE 4. MILLENNIA TRIM - MAIN DOOR

INDEX	PART NUMBER	DESCRIPTION	QTY.
1	4285075	TRIM - TOP RIGHT - FOOD CENTER	1
2	4282010	TRIM - MAIN DOOR - R.S. - PAINTED	1
3	4282022	PANEL - R.H.SIDE - MILLENNIA	1
4	4282042	TRIM - DOOR - HORIZ. - MILLENNIA - BLK	2
5	4282030	TRIM PANEL - HORIZONTAL	1
6	4282023	PANEL - BOTTOM - MILLENNIA	1
7	1572267	TRIM - LOWER - DOOR SIDE - GRAY	1
8	4552060	TRIM - BOTTOM - LEFT HAND - "E"	1
9	4552059	TRIM - MIDDLE - LEFT HAND - "D"	1
10	4552058	TRIM - UPPER - LEFT HAND - "C"	1
11	4285074	TRIM - TOP LEFT - FOOD CENTER	
12	3632202	HORIZ.TRIM - TOP - 42" - "H3"	1
13	4282041	PANEL - L.H.SIDE - MILLENNIA	1
14	4282008	TRIM - GLASS - BOTTOM - PAINTED	1
15	1572258	DECAL - DOOR TRIM VERTICAL ASSEMBLY	1

FoodCenter Parts Manual

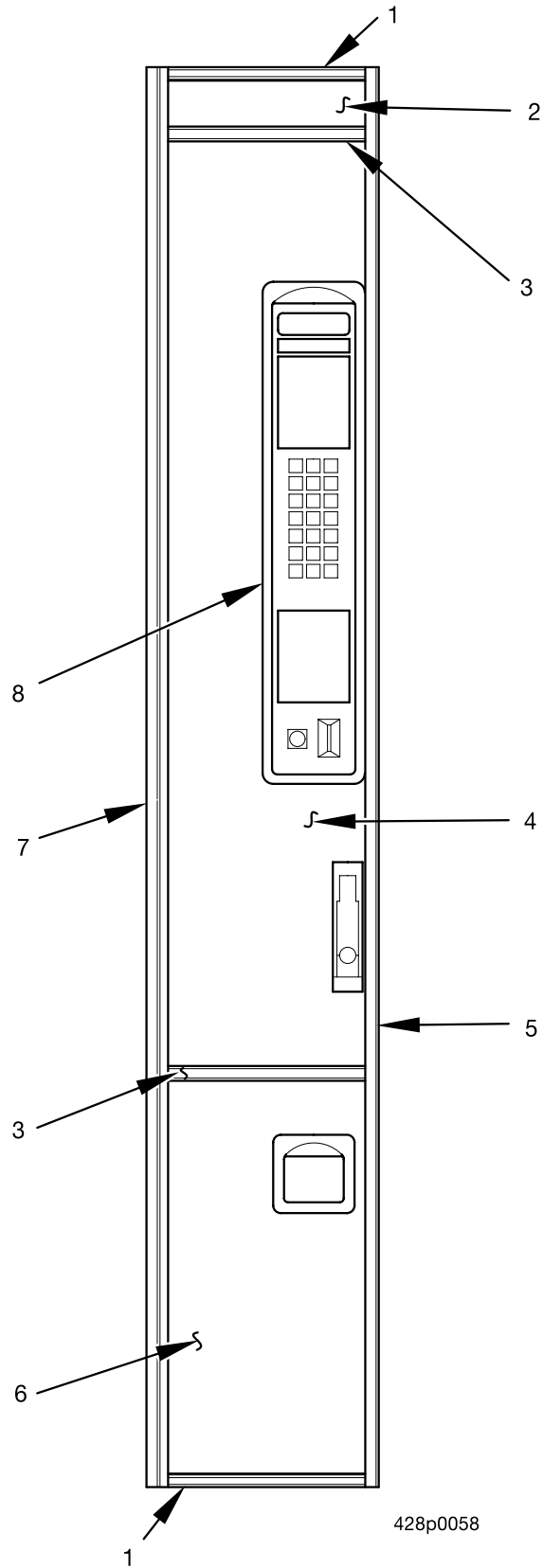


Figure 5. Standard Trim - Monetary Door

FoodCenter Parts Manual

TABLE 5. STANDARD TRIM - MONETARY DOOR

INDEX	PART NUMBER	DESCRIPTION	QTY.
1	4245069	TRIM ASSEMBLY MONETARY TOP & BOT.	2
	4255122	TRIM ASSEMBLY - MONETARY - BLK - S2000	
	4245069	TRIM ASSEMBLY MONETARY TOP & BOT. (INCLUDES FOLLOWING 2 ITEMS)	
	4245040	TRIM INSERT - BLACK	
	4245124	TRIM - MONETARY TOP & BOT(CLEAR)	
	4255122	TRIM ASSEMBLY - MONETARY - BLK - S2000	
	4245040	TRIM INSERT - BLACK	
	4255123	TRIM - MONETARY - BLK - SER.2000	
2	-	UPPER TRIM PANEL (SEE TABLE 5 A)	1
3	4245068	TRIM ASSEMBLY MONETARY HORIZONTAL	1
4	-	RIGHT HAND TRIM PANEL (SEE TABLE 5 B)	1
5	1302409	TRIM - DOOR - SIDE (CLEAR)	1
	1452203	TRIM DOOR - SIDE - BLACK - IBM	
6	-	LOWER TRIM PANEL (SEE TABLE 5 C)	1
7	4242168	TRIM - LT.SIDE - MONETARY(CLEAR)	1
	4245393	TRIM - DOOR - LT SIDE - MONETARY - BLK	
8	1575047	CASTING - MONETARY FRAME - BLAC	1

TABLE 5 A. UPPER TRIM PANEL

PART NUMBER	DESCRIPTION
4255005	PANEL - UPR.TRIM - PRES WALNUT
4255315	PANEL - UPR.TRIM - BLACK PICA
4255293	PANEL - UPR.TRIM - DOVE
4255390	PANEL - UPR.TRIM - STERLING
4255058	PANEL - UPR.TRIM - BISON
4255093	PANEL - UPR.TRIM - TEAK
4255057	PANEL - TOP TRIM - SLATE
4255124	PANEL - UPR.TRIM - VINYL SPCL
4255092	PANEL - UPR.TRIM - LAMINATE
4255090	PANEL - UPR.TRIM - ENAMEL
4255303	PANEL - UPR.TRIM - WHITE HAIRCELL
4255229	PANEL - UPR.TRIM - WHITE VINYL
4255158	PANEL - UPR.TRIM - KASHMIR WAL.

FoodCenter Parts Manual

TABLE 5 B. RIGHT HAND TRIM PANEL

PART NUMBER	DESCRIPTION
4285056	PANEL - R.H.TRIM - PORT - AU - PRINCE
4285057	PANEL - R.H.TRIM - PRES.WALNUT
4285001	PANEL - R.H.TRIM - STERLING
4285048	PANEL - R.H.TRIM - DOVE
4285045	PANEL - R.H.TRIM - BLACK PICA
4285053	PANEL - R.H.TRIM - MOROCCO GREY
4285058	PANEL - R.H.TRIM - SLATE
4285054	PANEL - R.H.TRIM - PEWTER
4285055	PANEL - R.H.TRIM - PLATINUM GREY
4285047	PANEL - R.H.TRIM - COMPOAK
4285059	PANEL - R.H.TRIM - TEAK
4285060	PANEL - R.H.TRIM - VINYL SPCL
4285051	PANEL - R.H.TRIM - LAMINATE
4285049	PANEL - R.H.TRIM - ENAMEL
4285061	PANEL - R.H.TRIM - WHITE HAIRCELL
4285062	PANEL - R.H.TRIM - WHITE VINYL
4285050	PANEL - R.H.TRIM - KASHMIR WALNUT

FoodCenter Parts Manual

TABLE 5 C. LOWER TRIM PANEL - WITH COIN

PART NUMBER	DESCRIPTION
4285039	PANEL - LWR.TRIM - PRES.WALNUT
4285032	PANEL - LWR.TRIM - DOVE
4285029	PANEL - LWR.TRIM - BLACK PICA
4285028	PANEL - LWR.TRIM - BISON BLACK
4285040	PANEL - LWR.TRIM - SLATE
4285037	PANEL - LWR.TRIM - PEWTER
4285038	PANEL - LWR.TRIM - PLATINUM GREY
4285031	PANEL - LWR.TRIM - COMP.OAK
4285042	PANEL - LWR.TRIM - VINYL SPCL
4285041	PANEL - LWR.TRIM - TEAK
4285035	PANEL - LWR.TRIM - LAMINATE
4285033	PANEL - LWR.TRIM - ENAMEL
4285043	PANEL - LWR.TRIM - WHITE HAIRCELL
4285044	PANEL - LWR.TRIM - WHITE VINYL
4285034	PANEL - LWR.TRIM - KASHMIR WAL.
4285002	PANEL - LWR.TRIM - STERLING
4285092	PANEL - LOWER TRIM - STER - NO COIN

FoodCenter Parts Manual

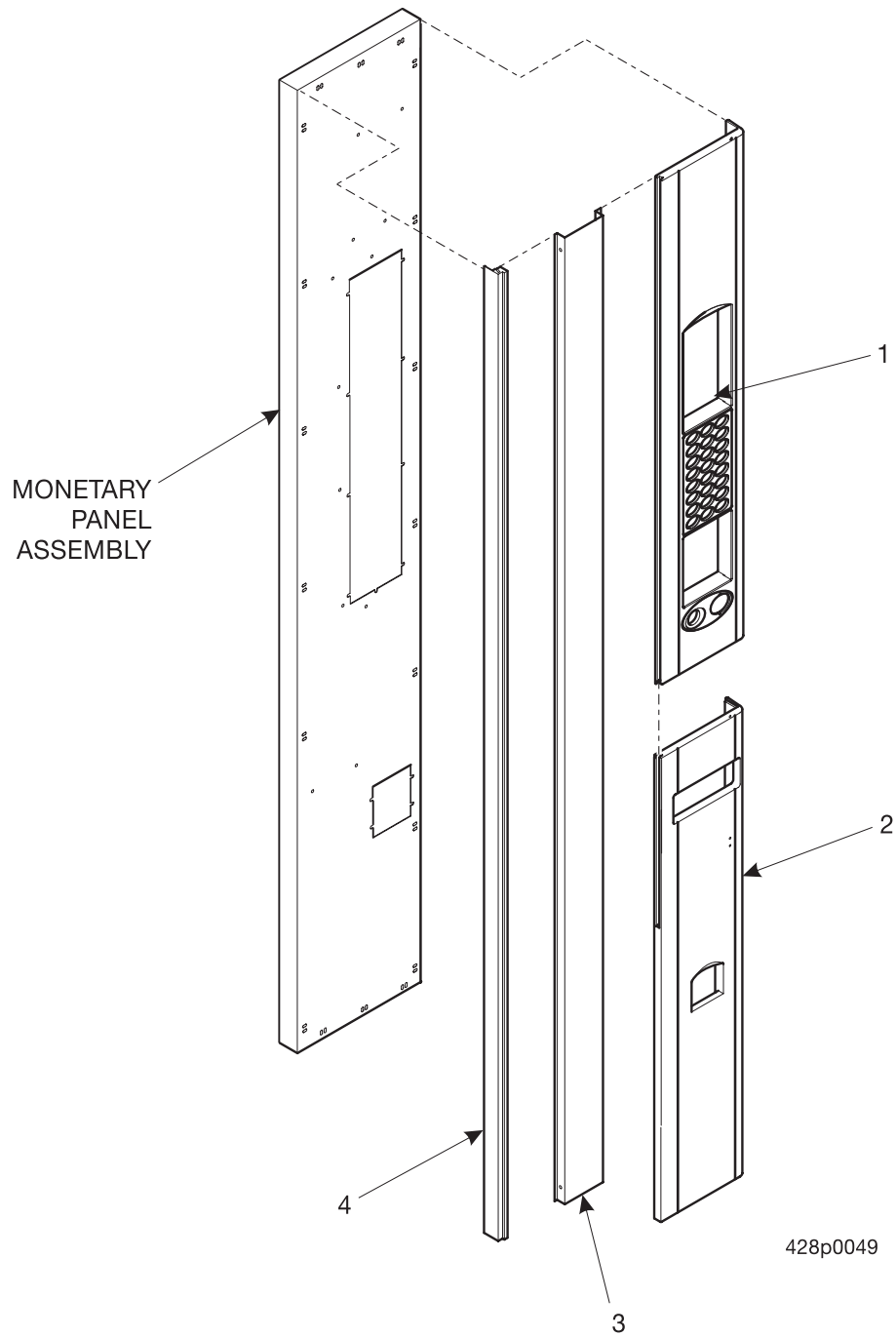


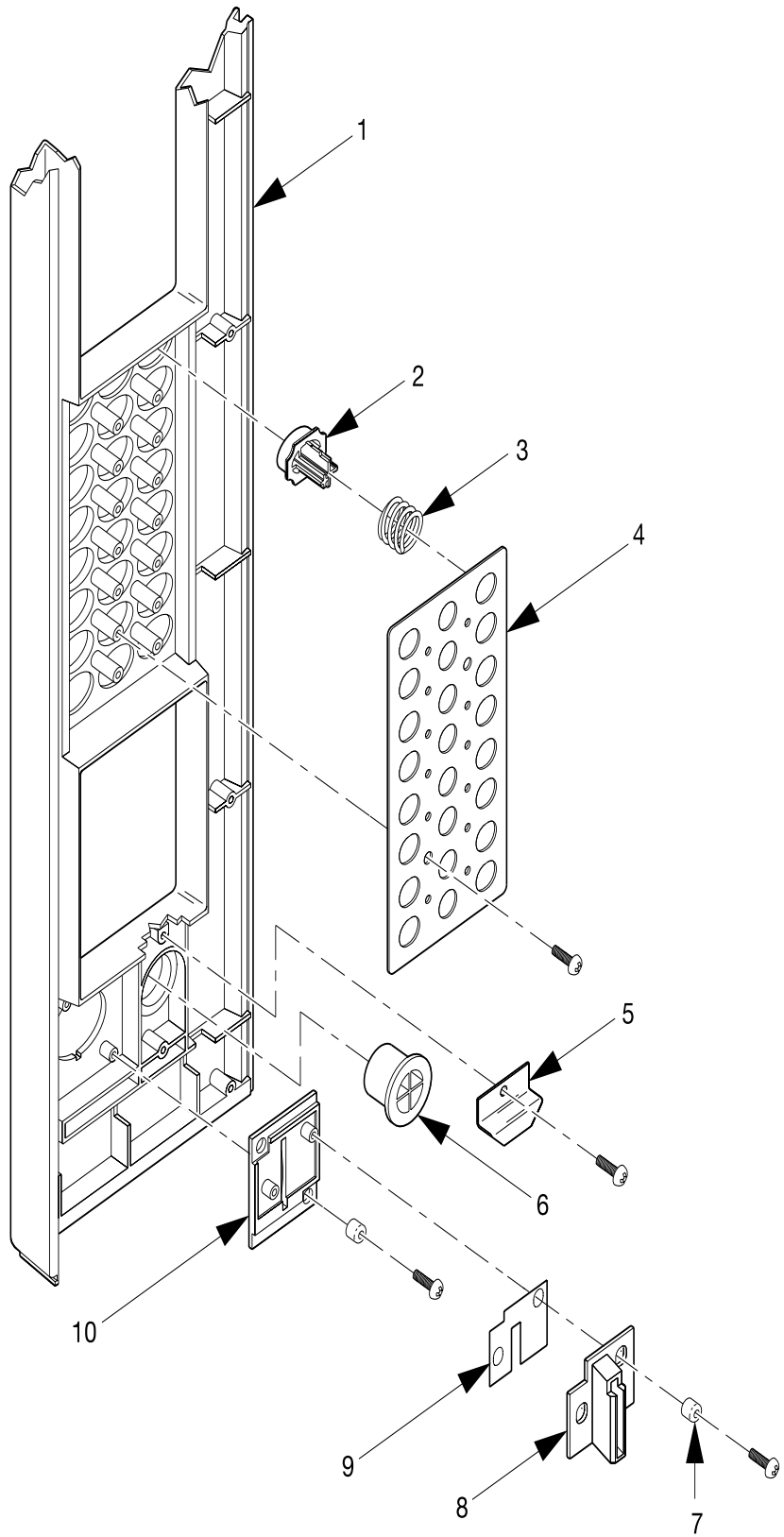
Figure 6. Millennium Trim - Monetary Drawer

FoodCenter Parts Manual

TABLE 6. MILLENNIA TRIM - MONETARY DRAWER

INDEX	PART NUMBER	DESCRIPTION	QTY.
1	1572254	RT.PANEL MONETARY & BUTTON ASY	1
2	1572214	RIGHT HAND TRIM - LOWER - "B"	1
3	4282020	TRIM PANEL - MONETARY	1
4	4282012	TRIM - MONETARY - L.S. - PAINTED	1

FoodCenter Parts Manual



363p023C

Figure 7. Monetary Panel and Button Assembly - Millennium Styling

FoodCenter Parts Manual

TABLE 7. MONETARY PANEL AND BUTTON ASSEMBLY - MILLENNIA STYLING

INDEX	PART NUMBER	DESCRIPTION	QTY.
1	1572213	R.H. TRIM - UPPER - "A21"	1
2	1572212	ARRAY - PUSH BUTTON SELECTION	1
3	1572224	SPRING - PUSH BUTTON	2
4	1572223	PLATE - STOP BUTTONS	1
5	1572292	RETAINER - RETURN BUTTON	1
6	1572210	COIN RETURN BUTTON - "A - 2"	1
7	2302053	SPACER CUP	4
8	1572323	EXTENSION - COIN INSERT	1
9	1472222	COIN BLOCK	1
10	1572209	COIN INSERT - "A - 1"	1

FoodCenter Parts Manual

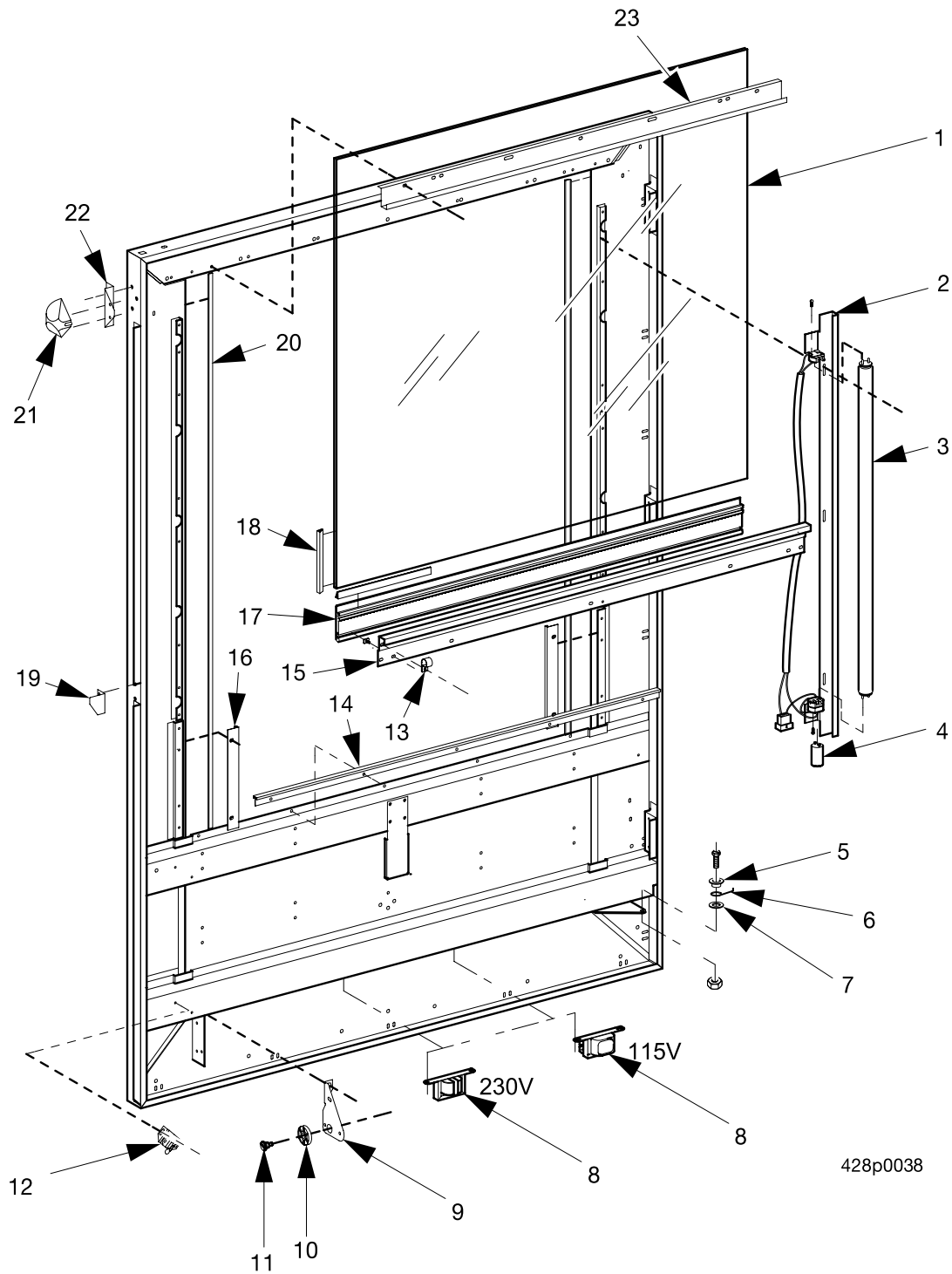


Figure 8. Door Assembly

FoodCenter Parts Manual

TABLE 8. DOOR ASSEMBLY

INDEX	PART NUMBER	DESCRIPTION	QTY.
1	4252015	GLASS - MAIN DOOR	1
2	4282049	LGHT BRKT & HARNESS ASSEMBLY - RT.	1
	4282050	LGHT BRKT & HARNESS ASSEMBLY - LT.	
3	2222535	FLUORESCENT LAMP - 19 WATT - 26"L	2
4	2302218	STARTER FLSCT LAMP FS - 25	2
5	4242050	BUSHING DOOR CHECK	1
6	4241176	ARM DOOR CHECK	1
7	4242084	WASHER DOOR CHECK	1
8	3151058	BALLAST ASSEMBLY - 14/20 WATT	1
	6332009	BALLAST ASSEMBLY - 18 WATT - 230V	
9	4242095	ADJ PLATE ASSEMBLY MAIN DOOR	1
10	1122021	ROLLER	1
11	1122011	STUD DOOR HOLDER	1
12	4242096	LATCH & BRACKET ASSEMBLY	1
13	4242037	TRIM - SIDE - VEND DOOR	1
14	4242160	TRIM - VEND DOOR OPENING	1
15	4252017	BRACKET - GLASS - BOTTOM	1
16	3106144	CABLE CLAMP RICHCO#N9B	1
17	4252018	TRIM - GLASS - BOTTOM	1
18	6232092	EXTRUSION - GLASS CHANNEL - 126 IN	-
19	4242046	STRIKE LATCH MAIN DOOR	1
20	3152560	TRIM - VERTICAL	2
21	4242077	PROTECTOR MAIN DOOR	1
22	4242075	BRACKET PROTECTOR	1
23	4282033	BRACKET - GLASS TOP	1

FoodCenter Parts Manual

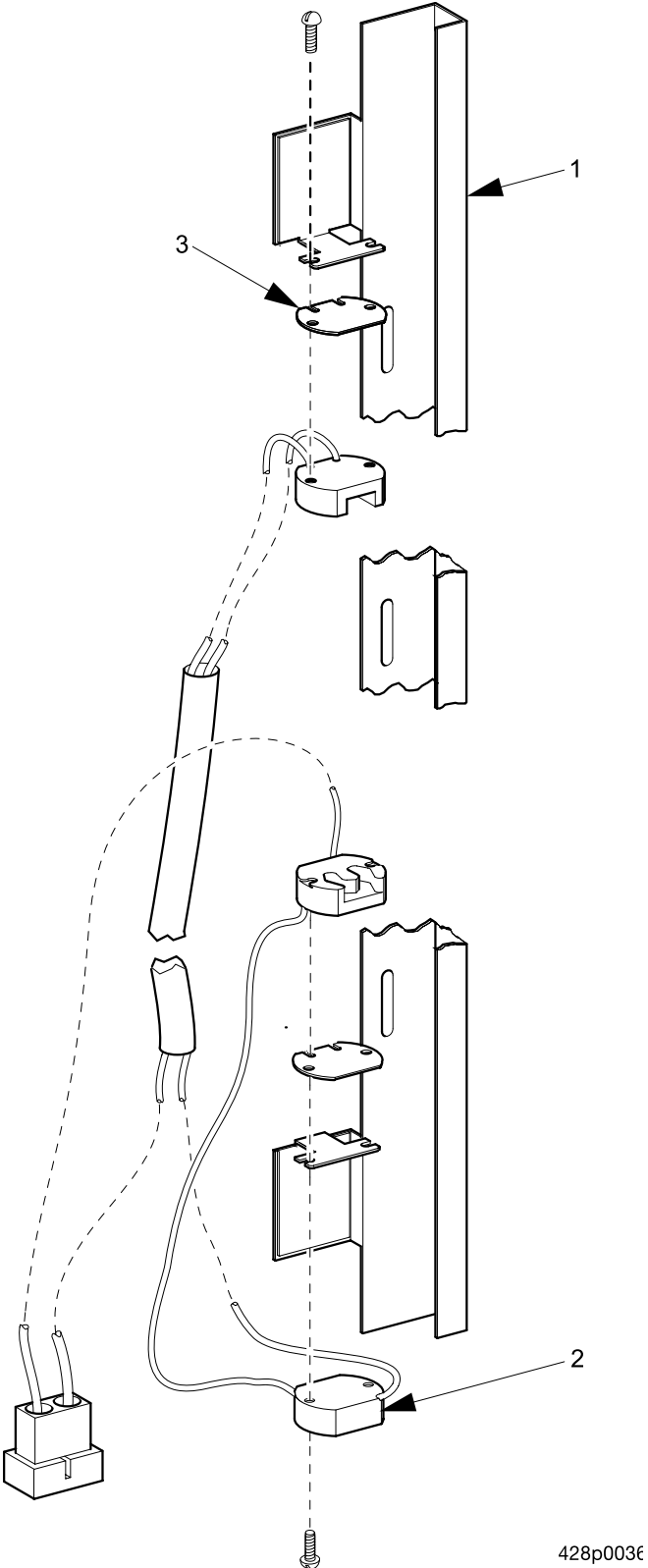


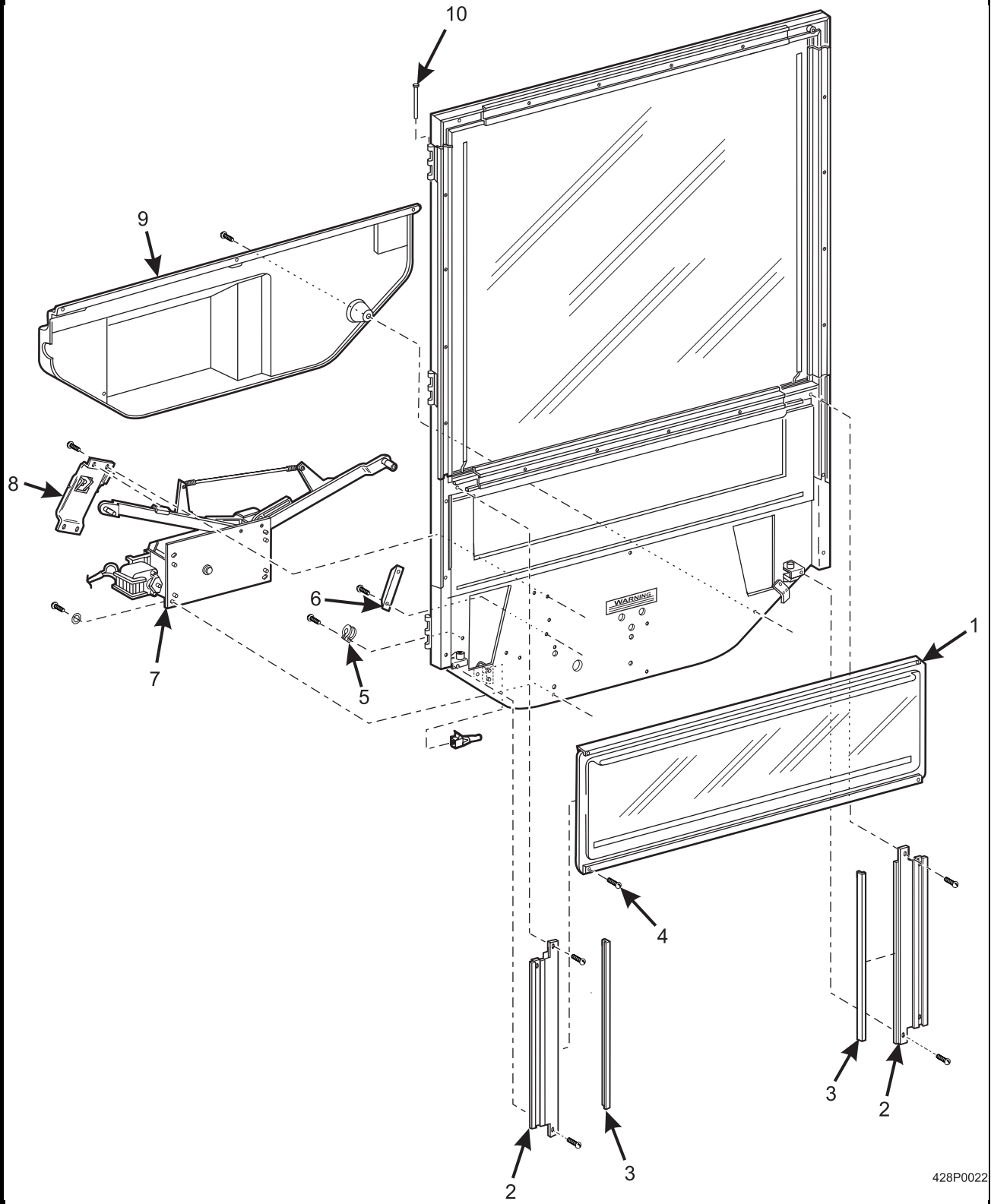
Figure 9. Door Light Assemblies

FoodCenter Parts Manual

TABLE 9. DOOR LIGHT ASSEMBLIES

INDEX	PART NUMBER	DESCRIPTION	QTY.
-	4282049	LGHT BRKT & HARNESS ASSEMBLY - RT.	
	4282050	LGHT BRKT & HARNESS ASSEMBLY - LT.	
1	4282043	LIGHT CHANNEL & BRACKET ASSEMBLY	1
2	4252027	HARNESS - FLUORESCENT LIGHT - DOOR	1
3	4242016	INSULATOR - LIGHT SOCKET	2

FoodCenter Parts Manual



428P0022

Figure 10. Inner Door and Vend Mechanism - Part 1 of 2

FoodCenter Parts Manual

TABLE 10. INNER DOOR AND VEND MECHANISM - PART 1 OF 2

INDEX	PART NUMBER	DESCRIPTION	QTY.
-	4282015	INNER DOOR & VEND MECH ASSEMBLY	REF.
	4282018	INNER DOOR & VEND MECH ASS	
1	4242279	VEND DOOR ASSEMBLY	1
2	4242285	GUIDE - VEND DOOR	2
3	4242252	GASKET - SIDE - VEND DOOR	2
4	2301046	PLASTI - PLUG 3/16 DIA	8
5	4241250	CABLE CLAMP RICHCO#N10B	1
6	4242243	GUIDE CONTROL ARM	1
7	4282017	MOTOR & VEND DOOR CONTROL ASSEMBLY	1
	4252021	CONTROL ASSEMBLY - VEND DOOR	
8	4282016	LATCH MECH.ASSEMBLY - AUTO DOOR	1
	4282019	LATCH MECHANISM ASSEMBLY	
9	4242245	SHIELD VEND DOOR CONTROL	1
10	4242116	PIN HINGE	3

FoodCenter Parts Manual

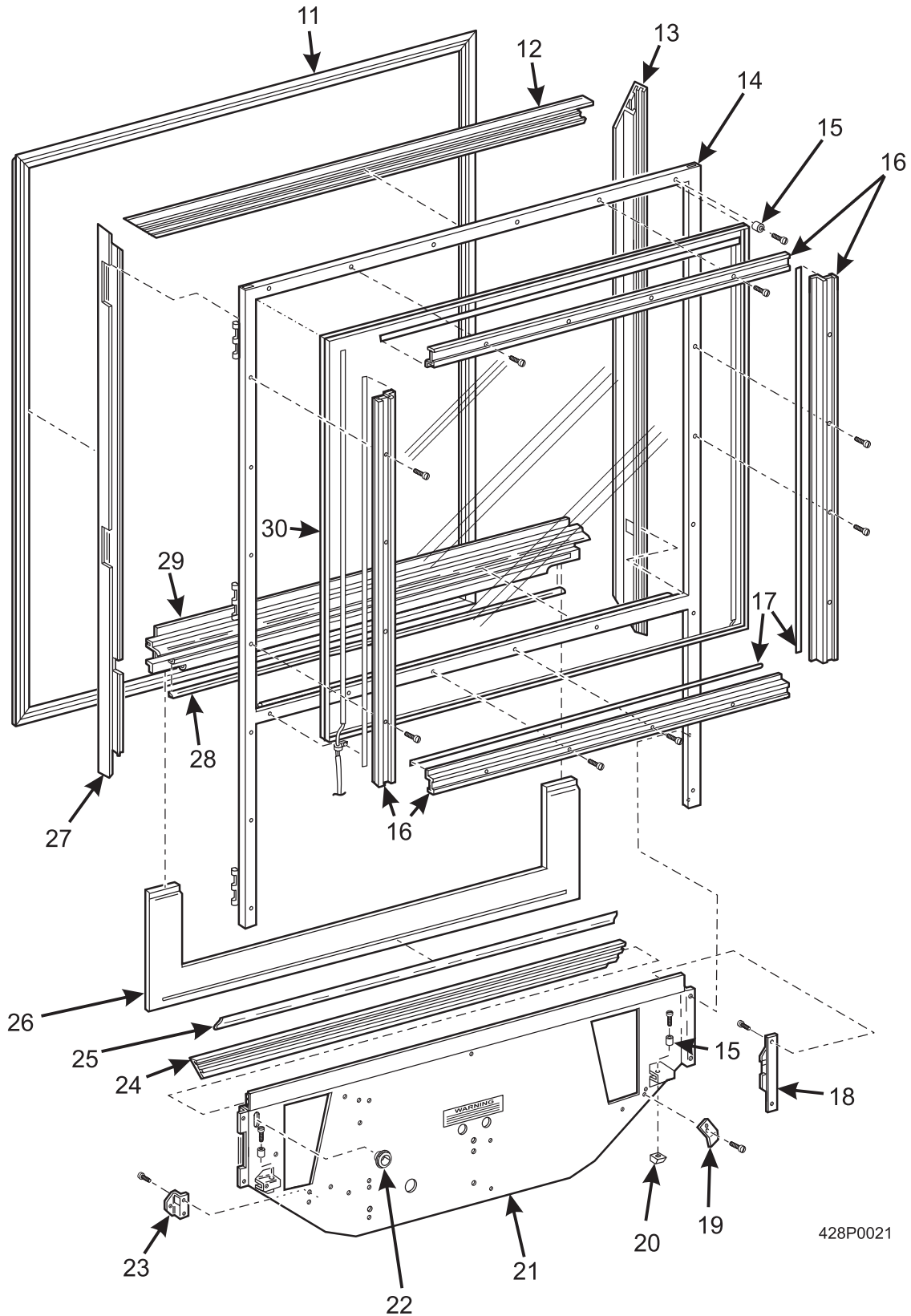


Figure 11. Inner Door and Vend Mechanism - Part 2 of 2

FoodCenter Parts Manual

TABLE 11. INNER DOOR AND VEND MECHANISM - PART 2 OF 2

INDEX	PART NUMBER	DESCRIPTION	QTY.
11	4242117	GASKET INNER DOOR	1
12	4242121	RETAINER GASKET TOP	1
13	4242119	RETAINER GASKET RH	1
14	4242109	FRAME ASSEMBLY INNER DOOR	1
15	4242127	BUMPER INNER DOOR	3
16	4242124	RETAINER - GLASS - INNER DOOR	4
17	4242132	FOAM TAPE	4
18	4242101	INTERLOCK ASSEMBLY BRKT & SPRING	1
19	4242128	ANGLE LATCH INNER DOOR	1
20	4242134	SPACER - ALIGNMENT	1
21	4242104	PANEL ASSEMBLY BOTTOM INNER DOOR	1
22	2221036	GROMMET	1
23	4242130	BRACKET PLUG	1
24	4242120	RETAINER GASKET BOTTOM	1
25	4242115	GASKET BOTTOM VEND DOOR	1
26	4242123	FILLER VEND DOOR OPENING	1
27	4242118	RETAINER GASKET LH	1
28	4242126	GASKET - VEND DOOR	1
29	4242122	RETAINER - GLASS - BOTTOM	1
30	4242171	INSUL.GLASS ASSEMBLY - INNER DOOR	1

FoodCenter Parts Manual

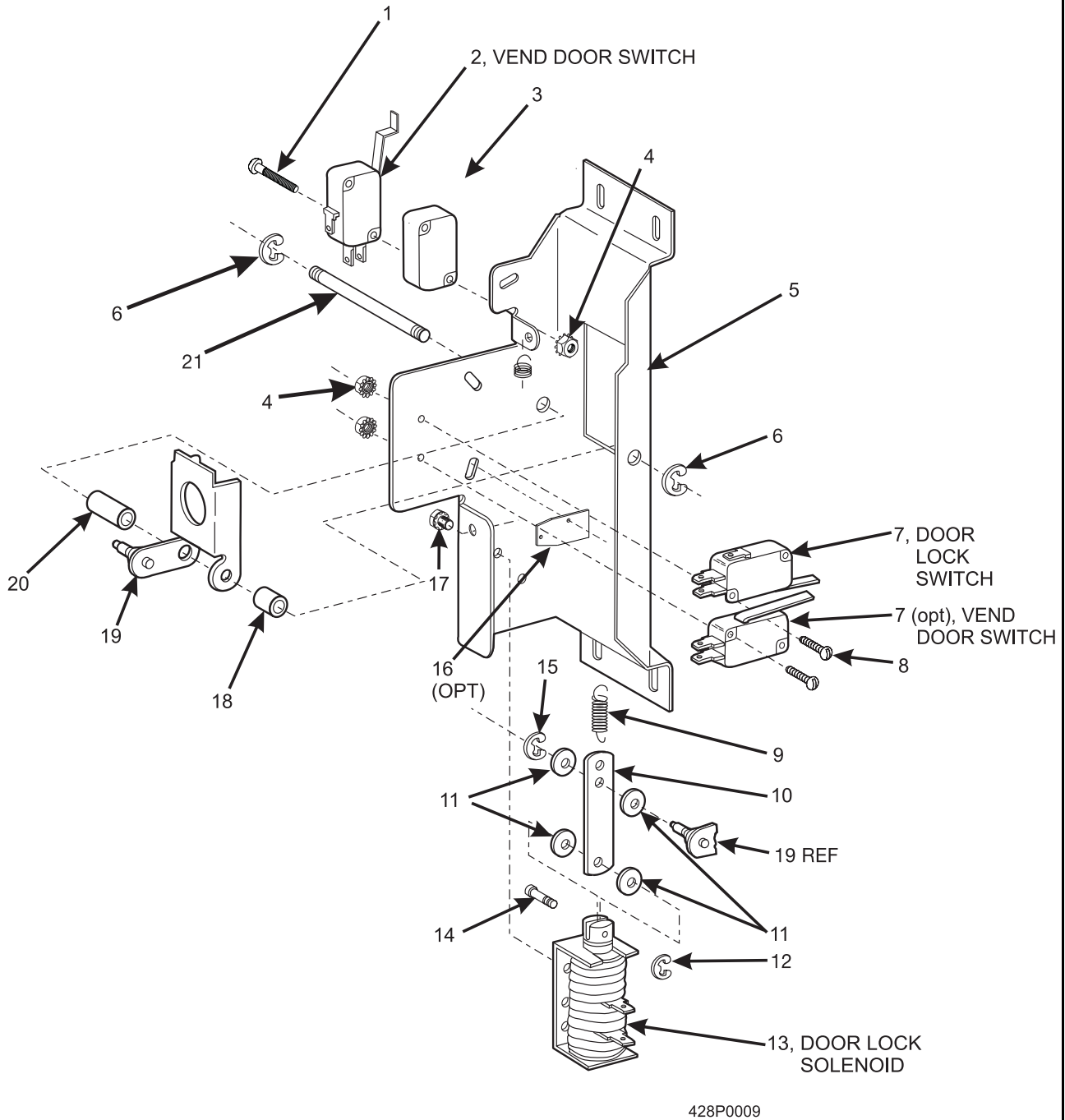


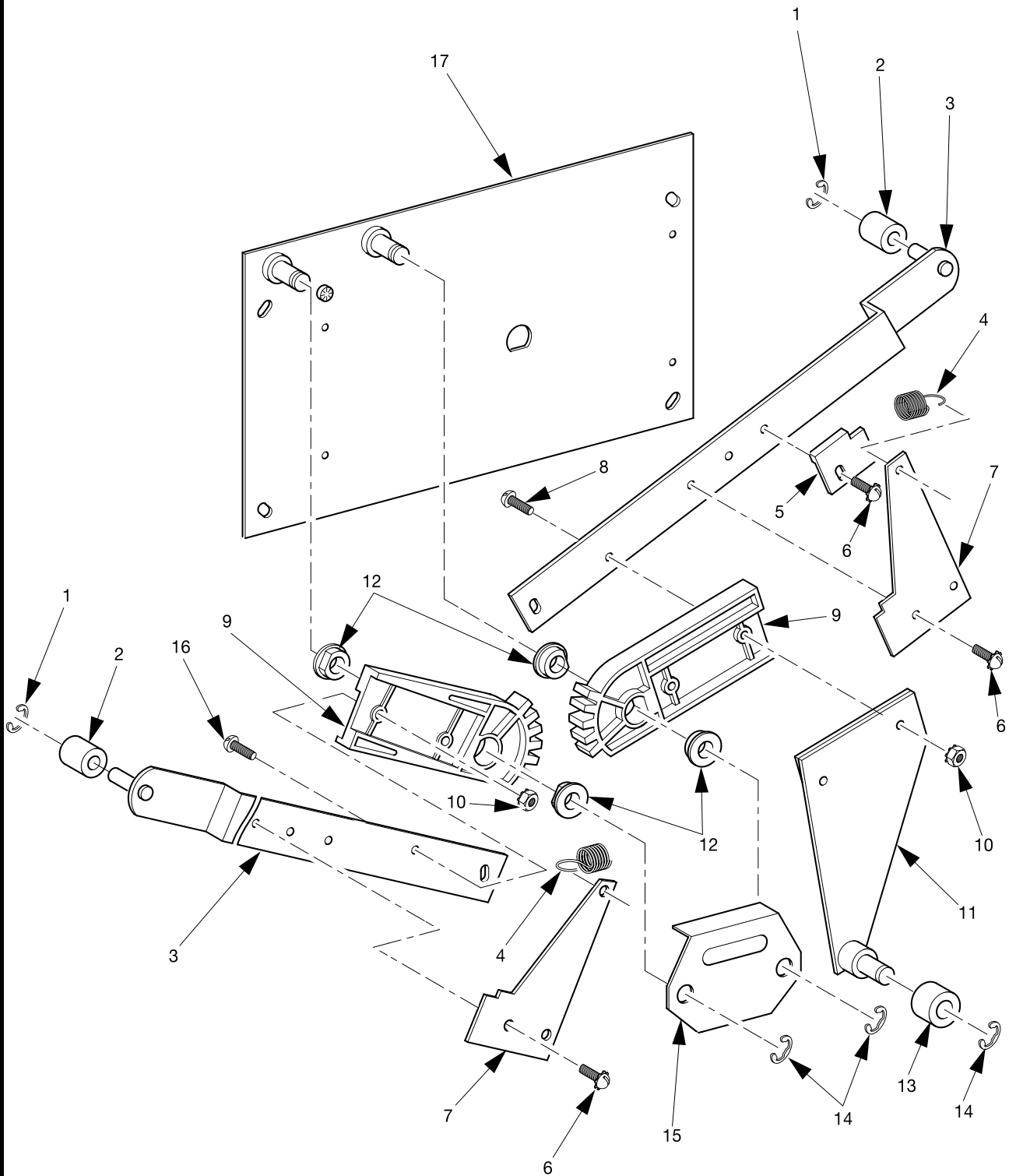
Figure 12. Latch Mechanism Assembly - Auto Door

FoodCenter Parts Manual

TABLE 12. LATCH MECHANISM ASSEMBLY - AUTO DOOR

INDEX	PART NUMBER	DESCRIPTION	QTY.
	4282019	LATCH MECHANISM ASSEMBLY	REF
	4282016	LATCH MECH.ASSEMBLY - AUTO DOOR	REF
1	5201086	SCREW #4 40 X 1 RHS	2
2	4242253	SWITCH LATCH V3L - 2221 - D8	1
3	4257101	SPACER - SWITCH	1
4	1217159	4 - 40 KEPS W/EXT L/WAS H ZP	6
		4 - 40 KEPS W/EXT L/WAS H ZP	8
5	4242240	BRACKET - LATCH MECHANISM	1
6	9900418	RETAINING RING REINF E TYP.187	2
7	4242236	SWITCH BLADE V3L - 3197 - D8	1
		SWITCH BLADE V3L - 3197 - D8	2
8	1217160	4 - 40X5/8 RHS M SCREW Z/Y	2
		4 - 40X5/8 RHS M SCREW Z/Y	4
9	4242129	SPRING LATCH MECHANISM	1
10	4242242	LINK LATCH MECHANISM	1
11	4242247	WASHER LATCH MECHANISM	4
12	9900409	RETAINING RING REINF E TYP.093	1
13	4252030	SOLENOID - 24 VDC	1
14	4242241	PIN LATCH MECHANISM	1
15	9900412	RETAINING RING REINF E TYP.125	1
16	2304083	INSULATOR SWITCH	1
17	9900090	SCREW #6 - 32 X 3/16 RHS W/LKW	2
18	4242235	SPACER LATCH MECH SHORT	1
19	4242251	STOP ASSEMBLY LATCH MECH	1
20	4242248	SPACER LATCH MECH LONG	1
21	4242250	SHAFT LATCH MECHANISM	1

FoodCenter Parts Manual



428p0013

Figure 13. Motor and Vend Door Control Assembly, Auto Vend Door - Part 1 of 2

FoodCenter Parts Manual

TABLE 13. MOTOR AND VEND DOOR CONTROL ASSEMBLY, AUTO VEND DOOR - PART 1 OF 2

INDEX	PART NUMBER	DESCRIPTION	QTY.
-	4282017	MOTOR & VEND DOOR CONTROL ASSEMBLY	REF.
1	9900425	RETAINING RING REINF E TYP.250	3
2	4242210	ROLLER DOOR CONTROL ARM	2
3	4242225	ARM ASSEMBLY VEND DOOR CONTROL	2
4	4242216	SPRING VEND DOOR CONTROL	1
5	4242259	ACTUATOR SWITCH VEND DOOR	1
6	9900173	SCREW #8 - 32X3/8 RHS T/C W/LKW	5
7	4242208	BRACKET - CONTROL ARM	2
8	9900167	SCREW #8 - 32 X 7/8 RHS	2
9	4242214	GEAR PIVOT	2
10	9900081	NUT #8 - 32 KEPS ZINC PLATE	4
11	4242228	ARM & STUD ASSEMBLY CAM FOLLOWER	1
12	4047012	SHOULDER BUSHING	6
13	4242212	ROLLER CAM FOLLOWER	1
14	9900437	RETAINING RING REINF E TYP.375	4
15	4242209	BRACKET - PIVOT	1
16	9900021	SCREW #8 - 32 X 5/8 RHS	2
17	4242221	PLATE ASSEMBLY VEND DOOR MECH	1

FoodCenter Parts Manual

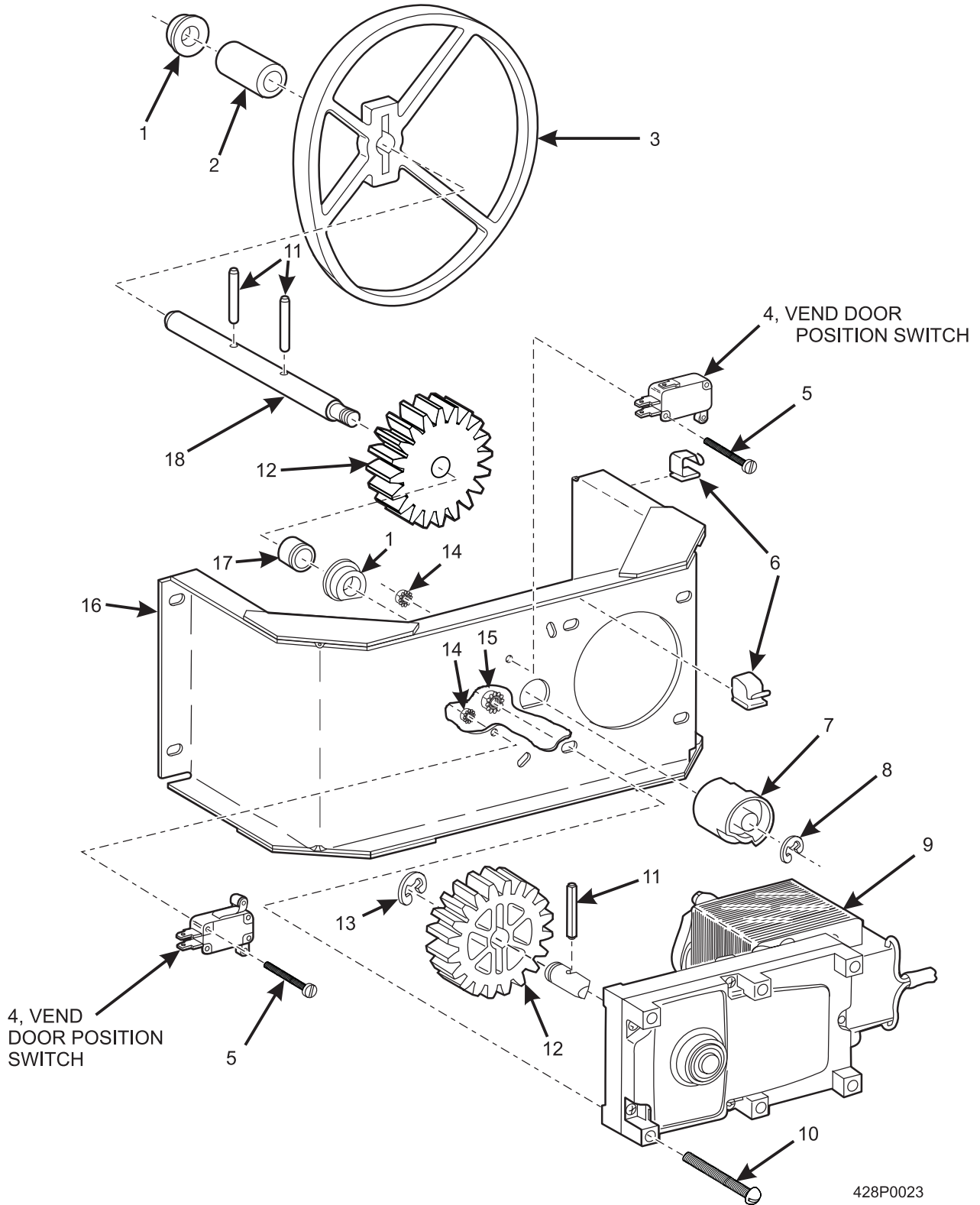


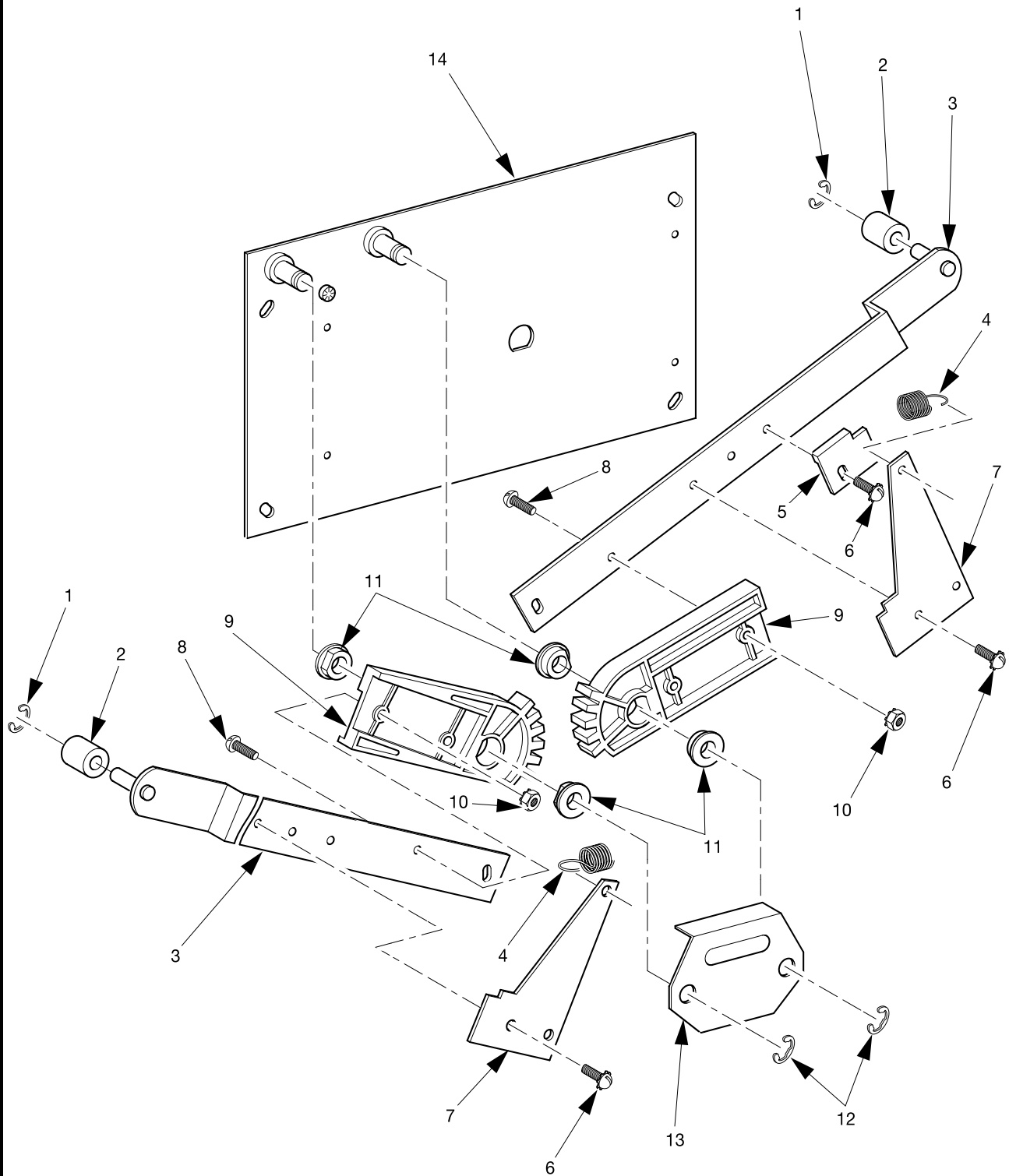
Figure 14. Motor and Vend Door Control Assembly, Auto Vend Door - Part 2 of 2

FoodCenter Parts Manual

TABLE 14. MOTOR AND VEND DOOR CONTROL ASSEMBLY, AUTO VEND DOOR - PART 2 OF 2

INDEX	PART NUMBER	DESCRIPTION	QTY.
1	4047012	SHOULDER BUSHING	6
2	4242211	SPACER GEAR	1
3	4242215	CAM VEND DOOR CONTROL	1
4	2366091	SWTCH.ROLLER LEVER V3L - 2103 - D8	2
5	1217160	4 - 40X5/8 RHS M SCREW Z/Y	4
6	1212159	WIRE CLIP	2
7	4242207	CAM SWITCH VEND DOOR	1
8	9900425	RETAINING RING REINF E TYP.250	3
9	4242217	MOTOR VEND DOOR	1
10	4247103	#10 - 32X2 RHS MACH SCREW ZINC	4
11	6104215	ROLL PIN	3
12	4242213	GEAR - VEND DOOR CONTROL	2
13	9900437	RETAINING RING REINF E TYP.375	4
14	1217159	4 - 40 KEPS W/EXT L/WAS H ZP	1
15	9900164	NUT #10 - 32 KEPS ZINC PLATE	4
16	4252202	BRACKET ASSEMBLY - MOTOR	1
17	6104103	BUSHING	1
18	4242268	SHAFT CAM VEND DOOR	1

FoodCenter Parts Manual



428p0005

Figure 15. Vend Door Control Assembly

FoodCenter Parts Manual

TABLE 15. VEND DOOR CONTROL ASSEMBLY

INDEX	PART NUMBER	DESCRIPTION	QTY.
-	4252021	CONTROL ASSEMBLY - VEND DOOR , MANUAL DOOR	REF
1	9900425	RETAINING RING REINF E TYP.250	2
2	4242210	ROLLER DOOR CONTROL ARM	2
3	4242225	ARM ASSEMBLY VEND DOOR CONTROL	2
4	4242216	SPRING VEND DOOR CONTROL	1
5	4242259	ACTUATOR SWITCH VEND DOOR	1
6	9900173	SCREW #8 - 32X3/8 RHS T/C W/LKW	5
7	4242208	BRACKET - CONTROL ARM	2
8	9900021	SCREW #8 - 32 X 5/8 RHS	4
9	4242214	GEAR PIVOT	2
10	9900081	NUT #8 - 32 KEPS ZINC PLATE	4
11	4047012	SHOULDER BUSHING	4
12	9900437	RETAINING RING REINF E TYP.375	2
13	4242209	BRACKET - PIVOT	1
14	4242221	PLATE ASSEMBLY VEND DOOR MECH	1

FoodCenter Parts Manual

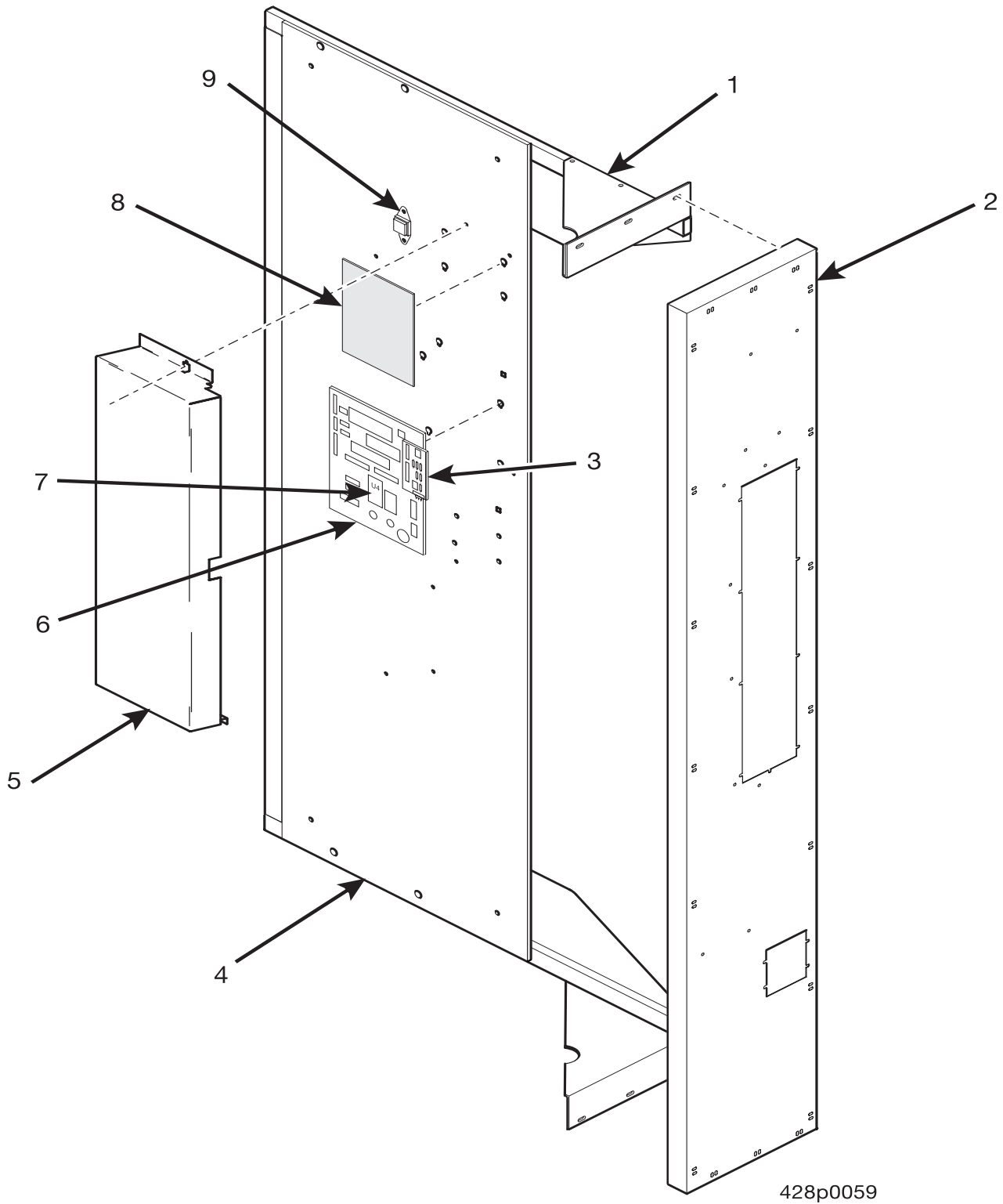


Figure 16. Monetary Door - Part 1

FoodCenter Parts Manual

TABLE 16. MONETARY DOOR - PART 1

INDEX	PART NUMBER	DESCRIPTION	QTY.
1	4285007	BRACKET - FRAME - UPPER	1
2	4285097	PANEL ASSEMBLY - MONETARY	1
3	9989687	PCB - ASSEMBLY - EXEC. INTERFACE (NOT USED WITH "MDB" OPTION)	1OPT .
4	4285068	FRAME ASSEMBLY - WELD - MONETARY PLATE	1
5	4285012	COVER - PCB	1
6	9989755	PCB ASSEMBLY - MAIN CONTROLLER	1
7	SEE LABEL	IC ASSEMBLY	1
8	4286006	PCB ASSEMBLY - FOODTRON INTERFACE	1
9	9983778	TRIAC - 35A - 600V	1

FoodCenter Parts Manual

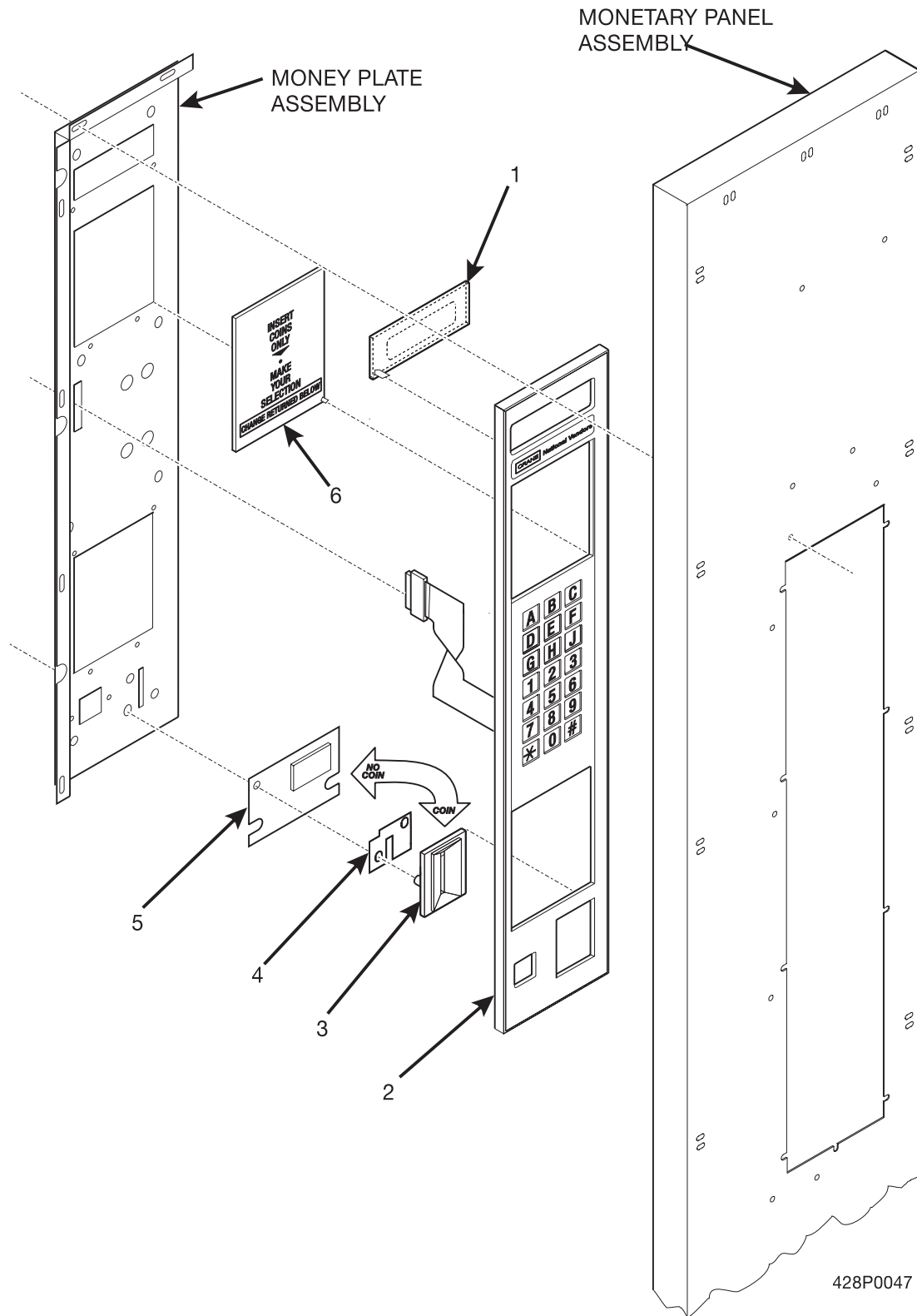


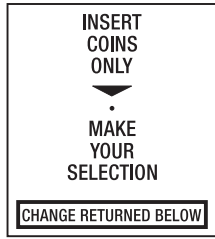
Figure 17. Monetary Drawer - Part 2

FoodCenter Parts Manual

TABLE 17. MONETARY DRAWER - PART 2

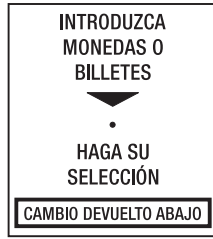
INDEX	PART NUMBER	DESCRIPTION	QTY.
1	1572013	LENS - DISPLAY	1
2	1575098	FACEPLATE ASSEMBLY - WITH COIN OPTION (SEE FIGURE 26)	1
	1575099	FACEPLATE ASSEMBLY - NO COIN OPTION (SEE FIGURE 26)	-
3	1472223	COIN INSERT - WITH COIN OPTION	OPT
4	1472222	COIN BLOCK	1
5	1575044	COVER PLATE ASSEMBLY - NO COIN OPTION	OPT
6	-	MONETARY INSERTS (SEE FIGURE 18) (SEE FIGURE 19)	-

FoodCenter Parts Manual



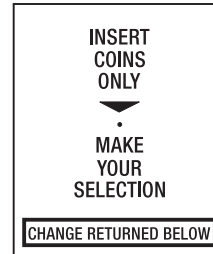
COINS
&
BILLS:
U.S.,
CHINA,
SAUDI
ARABIA

1575012



COINS
&
BILLS:
SPANISH
LANGUAGE

1575018



COINS
ONLY:
U.S.,
AUSTRALIA,
NEW ZEALAND,
U.K.,
SINGAPORE

1575013



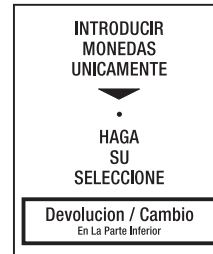
COINS
ONLY:
FRANCE

1572015



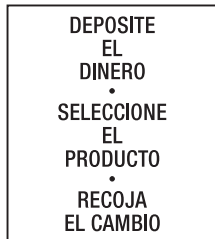
COINS
ONLY:
SWEDEN

1575052



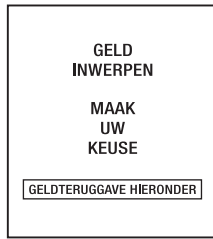
COINS
ONLY:
SPANISH
LANGUAGE

1575014



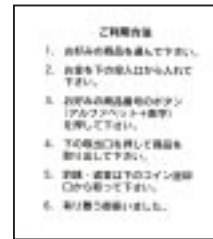
COINS
ONLY:
LATIN
AMERICA,
ARGENTINA,
MEXICO

1575015



COINS
ONLY:
BELGIUM

1575082



COINS
ONLY:
JAPAN

1575066



COINS
ONLY:
GERMANY

1575038



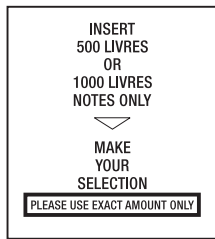
BILLS
ONLY:
VENEZUELA

1575017



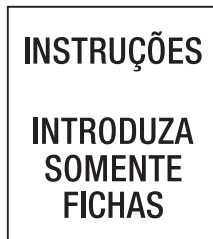
BILLS
ONLY:
KUWAIT

1575020



BILLS
ONLY:
LEBANON

1575021



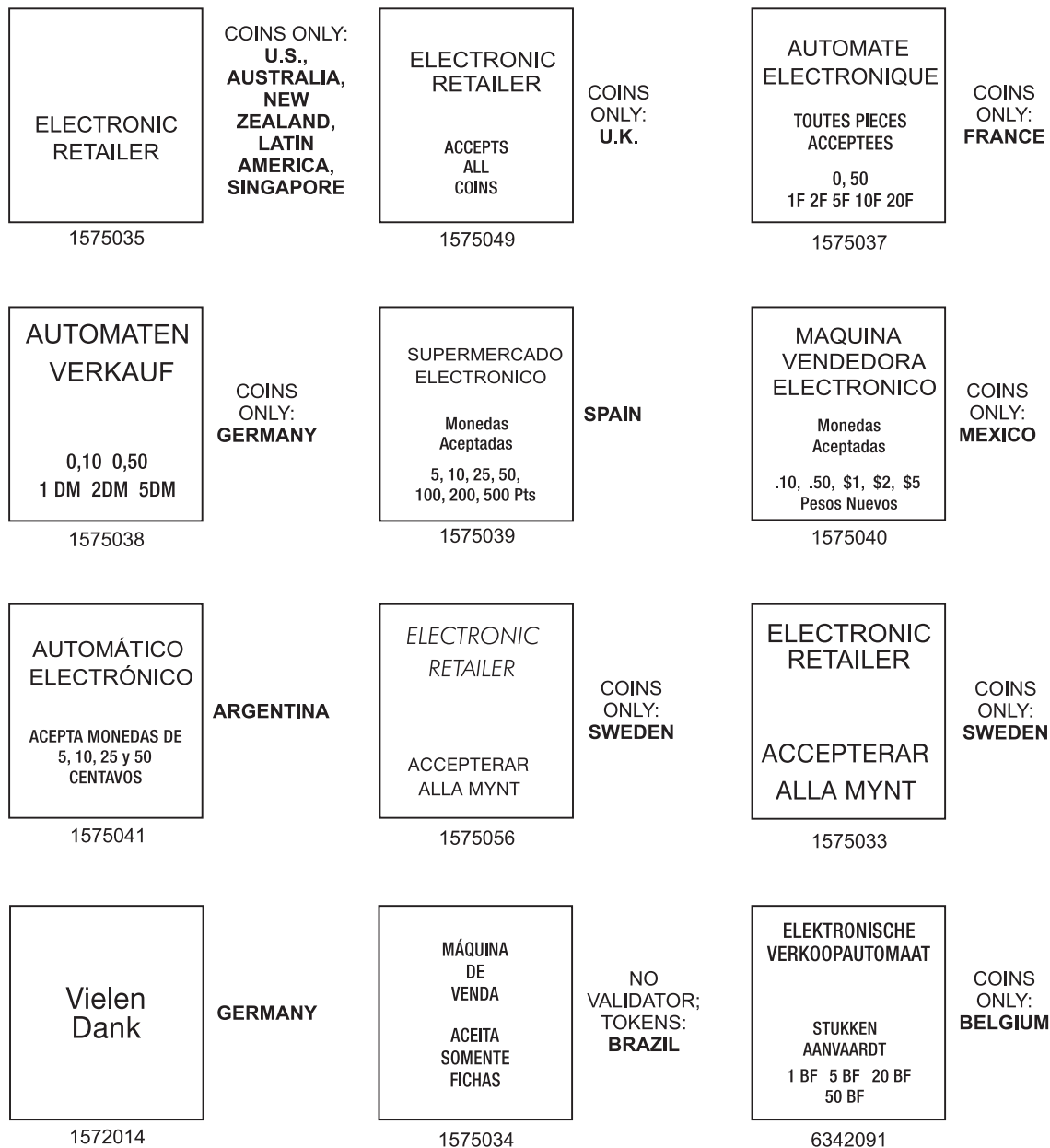
NO
VALIDATOR;
TOKENS:
BRAZIL

1575016

497P0100

Figure 18. Monetary Inserts - Upper Position

FoodCenter Parts Manual



497P0101

Figure 19. Monetary Inserts - Lower Position

FoodCenter Parts Manual

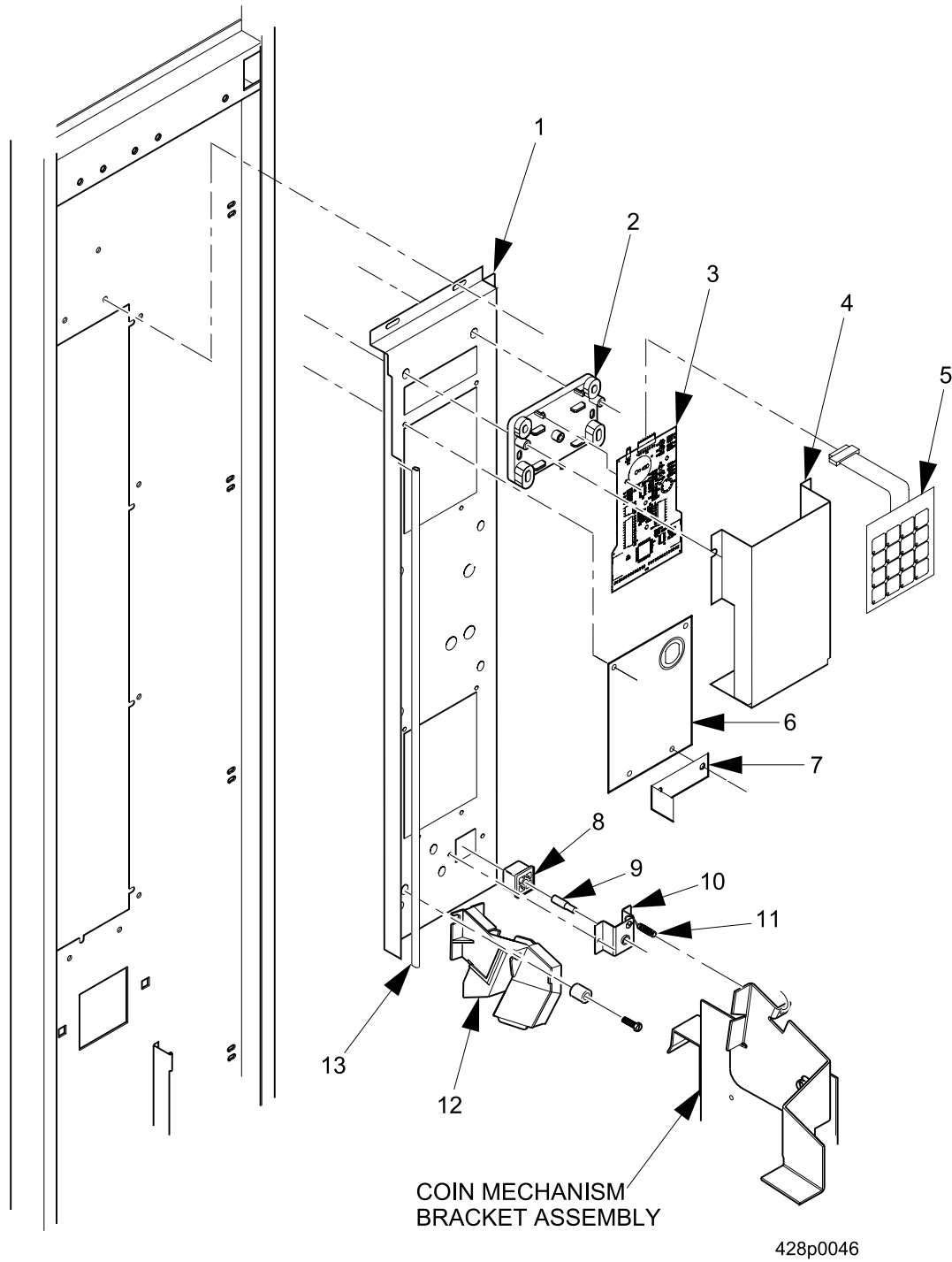


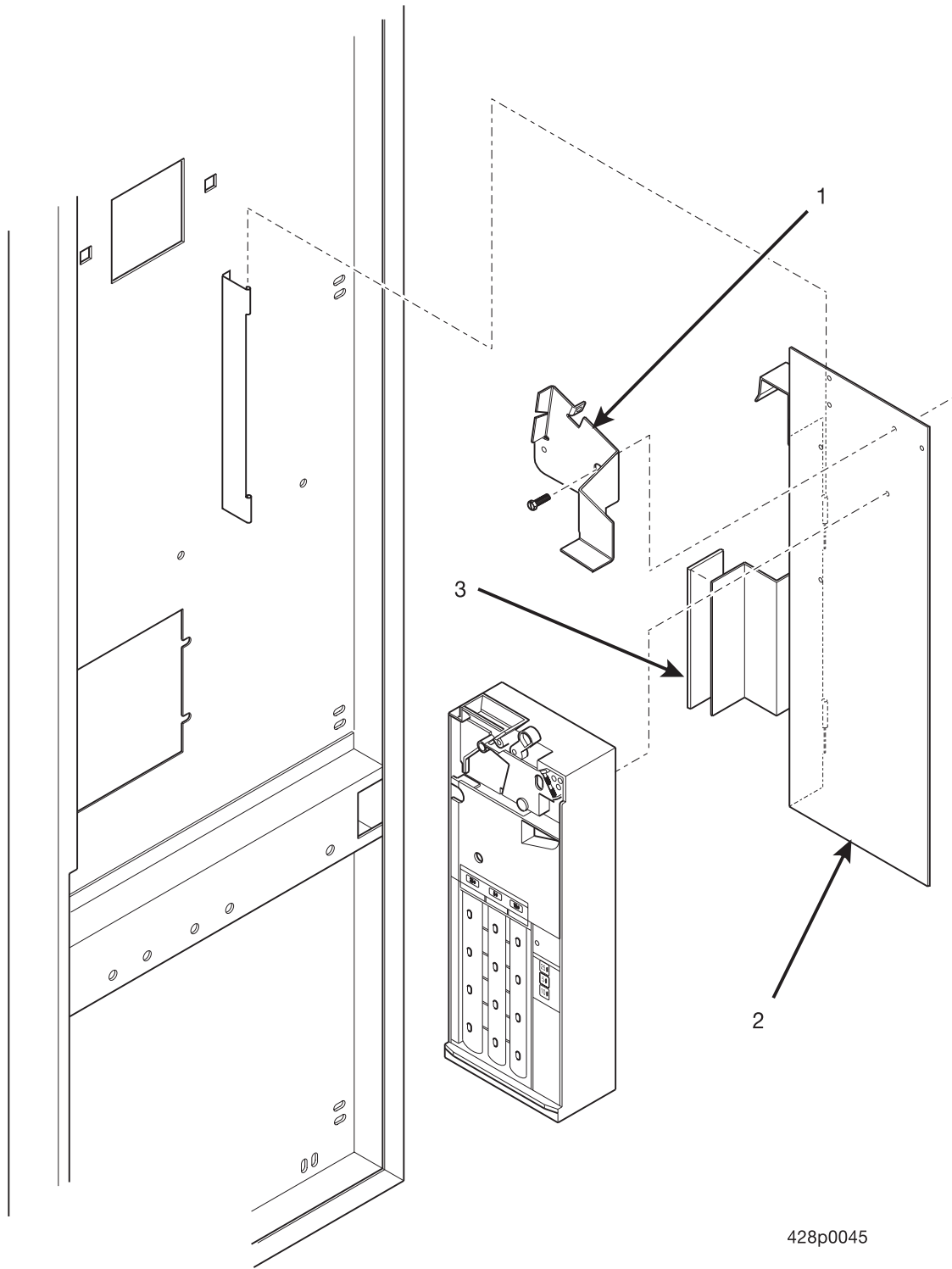
Figure 20. Monetary Drawer - Part 3

FoodCenter Parts Manual

TABLE 20. MONETARY DRAWER - PART 3

INDEX	PART NUMBER	DESCRIPTION	QTY.
1	4285099	PANEL & STUD ASSEMBLY - MONETARY	1
2	1475099	BRACKET - PCB - DISPLAY	1
3	9989685	PCB ASSEMBLY - DISPLAY	1
4	4285108	COVER - PCB - DISPLAY	1
5	6335002X	SERVICE KYEPAD ASSEMBLY	1
6	1575048	PLATE - INSERT BACKING - WITH VALIDATOR AND CARD READER	0
		PLATE - INSERT BACKING - WITH VALIDATOR OR CARD READER	1
		PLATE - INSERT BACKING - WITH VALIDATOR AND NO CARD READER	2
7	4285109	ANGLE - MEMBRANE HOLDER	1
8	1475026	BUTTON - COIN RETURN - WITH COIN ONLY	1
9	1475072	SHAFT - RETURN BUTTON - WITH COIN ONLY	1
10	1571079	BRACKET - COIN RETURN BUTTON - WITH COIN ONLY	1
11	1127808	SPRING - SHELF RESET - WITH COIN ONLY	1
12	1575003	COIN CHUTE ASSEMBLY - STANDARD - WITH COIN ONLY	1
	1575083	COIN CHUTE AND BRACKET ASSEMBLY - SPECIAL FOR SMALL COINS - UK - 5P WITH COIN ONLY	
13	4272060	PRODUCT GUIDE EDGE TRIM	20 INCH

FoodCenter Parts Manual



428p0045

Figure 21. Monetary Drawer - Part 4

FoodCenter Parts Manual

TABLE 21. MONETARY DRAWER - PART 4

INDEX	PART NUMBER	DESCRIPTION	QTY.
1	1571113	ARM - SCAVENGER - PART OF 4285077	1
2	4285086	BACKPLATE ASSEMBLY - COIN MECH - PART OF 4285077	1
3	3122056	MAGNET - RETAINER - COIN CHANGER	1

FoodCenter Parts Manual

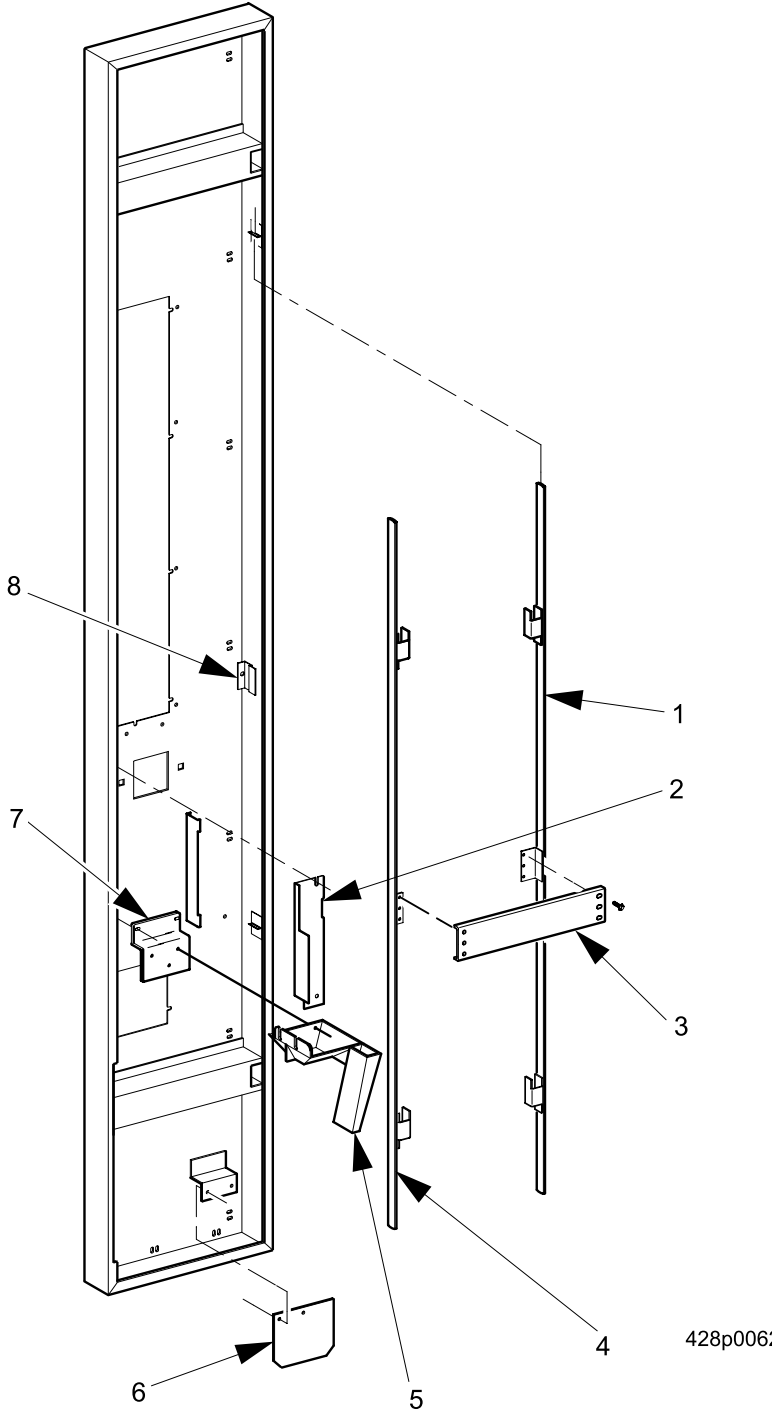


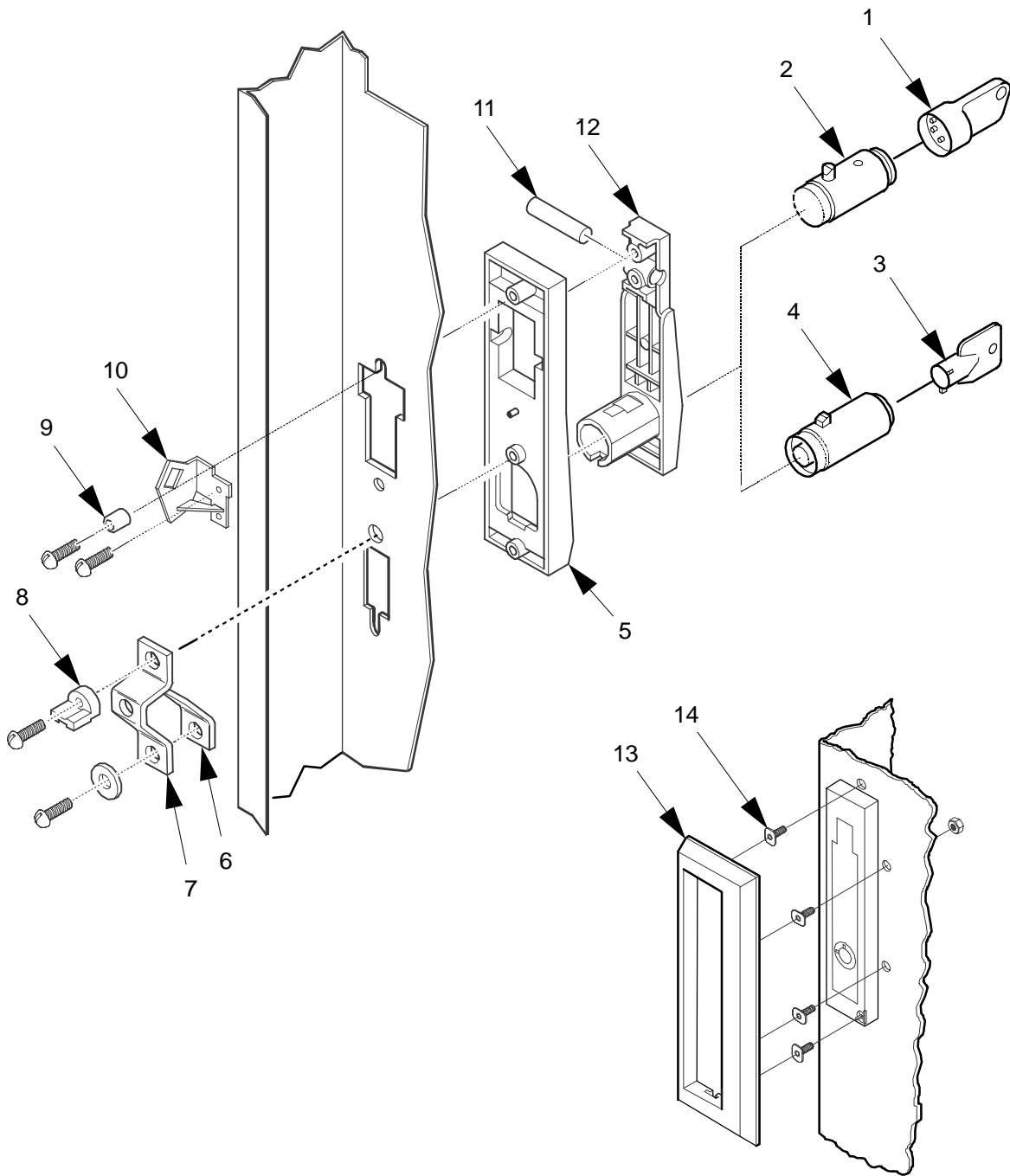
Figure 22. Monetary Drawer - Part 5

FoodCenter Parts Manual

TABLE 22. MONETARY DRAWER - PART 5

INDEX	PART NUMBER	DESCRIPTION	QTY.
1	4285015	LOCKBAR ASSEMBLY - RIGHT SIDE	1
2	1572196	CHANNEL - FILLER - LOCK (MILLENNIA ONLY)	1
3	4285021	PLATE - LOCK	1
4	4285017	LATCH & LOCK BAR ASSEMBLY - LEFT SIDE	1
5	4285013	CHUTE - MODIFIED - PAYOUT	1
6	4312063	PLATE - DOOR SWITCH ACTUATOR	1
7	4825085	BRACKET - PAYOUT	1
8	1472250	LOCK BAR GUIDE	1

FoodCenter Parts Manual



428p0044

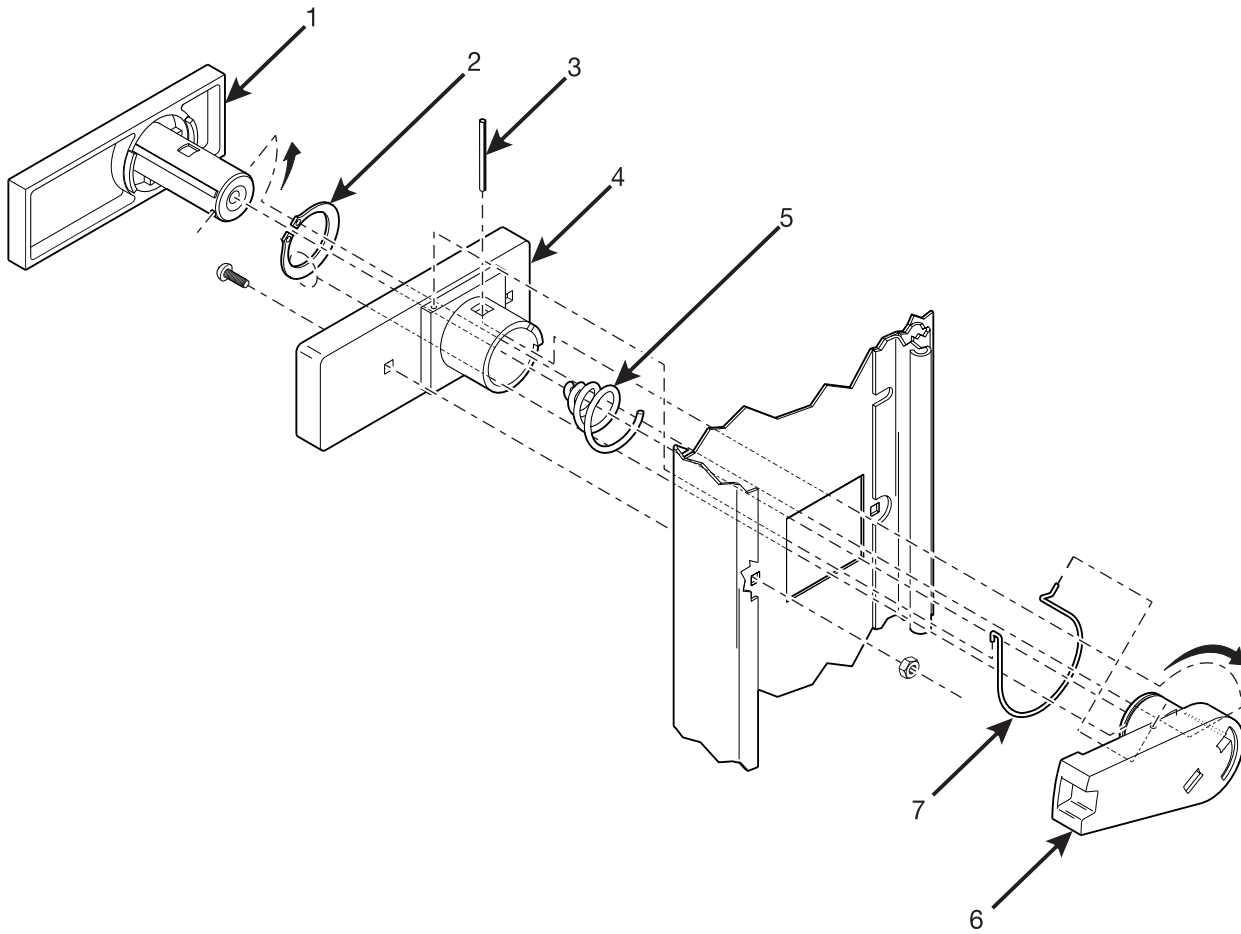
Figure 23. Door Lock and Handle Assembly - Standard

FoodCenter Parts Manual

TABLE 23. DOOR LOCK AND HANDLE ASSEMBLY - STANDARD

INDEX	PART NUMBER	DESCRIPTION	QTY.
1	3112164	KEY - VAN LOCK #K5 - STD. COMBINATION	1 OPT
2	3112163	VAN LOCK	
3	-	KEY	
4	9992400	CYLINDER - LOCK	
5	1172191	BASE - LEVER LOCK	1
6	1302290	LATCH - LOCK LOWER	1
7	1302324	CATCH - DOOR LATCH	1
8	1302326	SHIELD LATCH	1
9	1302289	CUP SPACER	1
10	2272052	ACTUATOR ASSEMBLY - LOCK BAR	1
11	1302291	PIVOT - LEVER LOCK	1
12	1172190	LEVER - LOCK	1

FoodCenter Parts Manual



497p0029

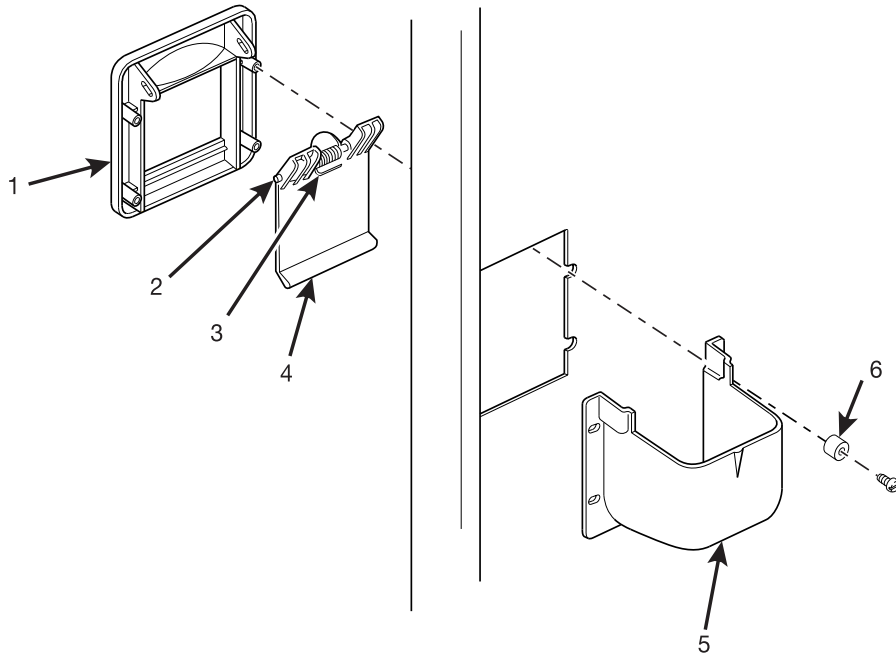
Figure 24. Door Lock and Handle Assembly - Millennium Style

FoodCenter Parts Manual

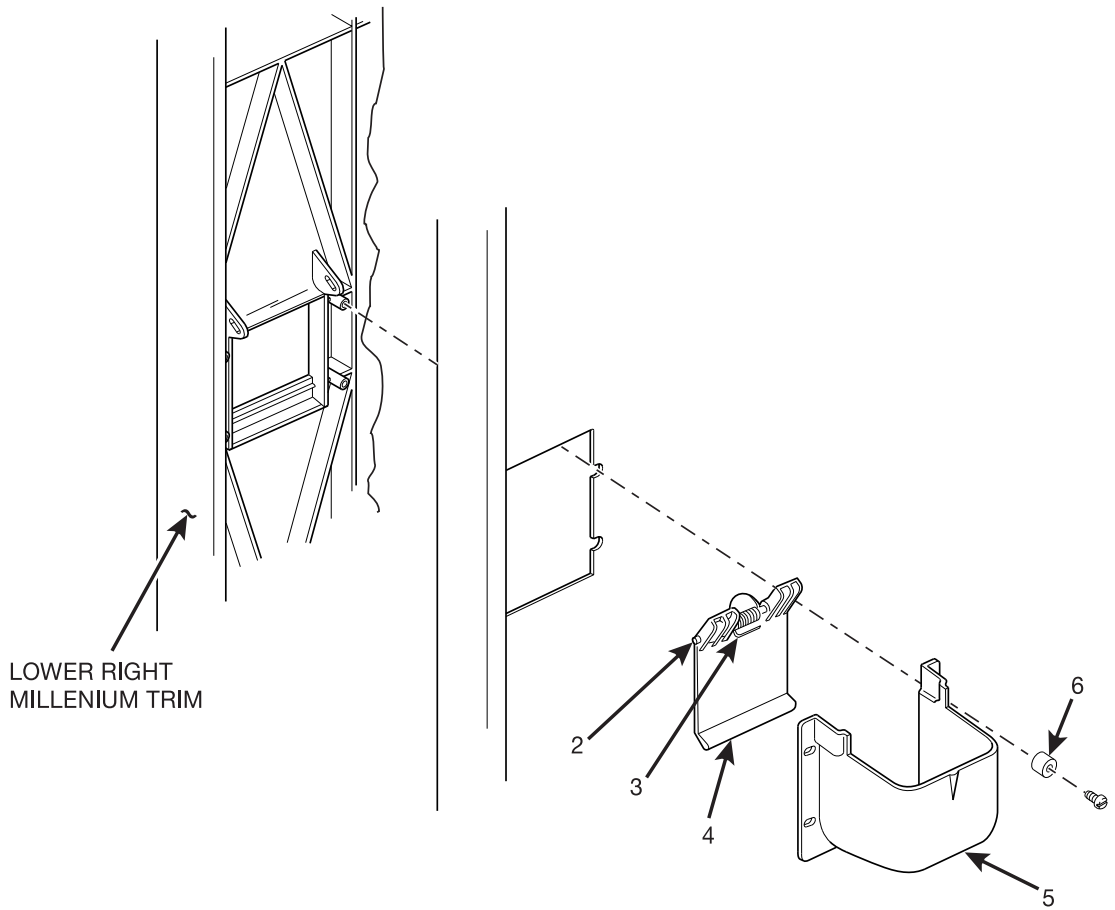
TABLE 24. DOOR LOCK AND HANDLE ASSEMBLY - MILLENNIA STYLE

INDEX	PART NUMBER	DESCRIPTION	QTY.
-	1572395	LOCK ASSEMBLY - MILLENNIA	1
1	1572397	LEVER - HANDLE	1
2	1572199	RETAINING RING - LOCK ACTUATOR	1
3	6104218	ROL PIN - 1/8 X 1 IN.	1
4	1572396	BASE - LOCK HANDLE	1
5	1572203	SPRING - LOCK	1
6	1572398	ACTUATOR - LOCK BAR	1
7	1572204	SPRING - LIFT - ACTUATOR	1

FoodCenter Parts Manual



COIN RECEPTACLE ASSEMBLY - STANDARD



COIN RECEPTACLE ASSEMBLY - MILLENNIUM

428p0043

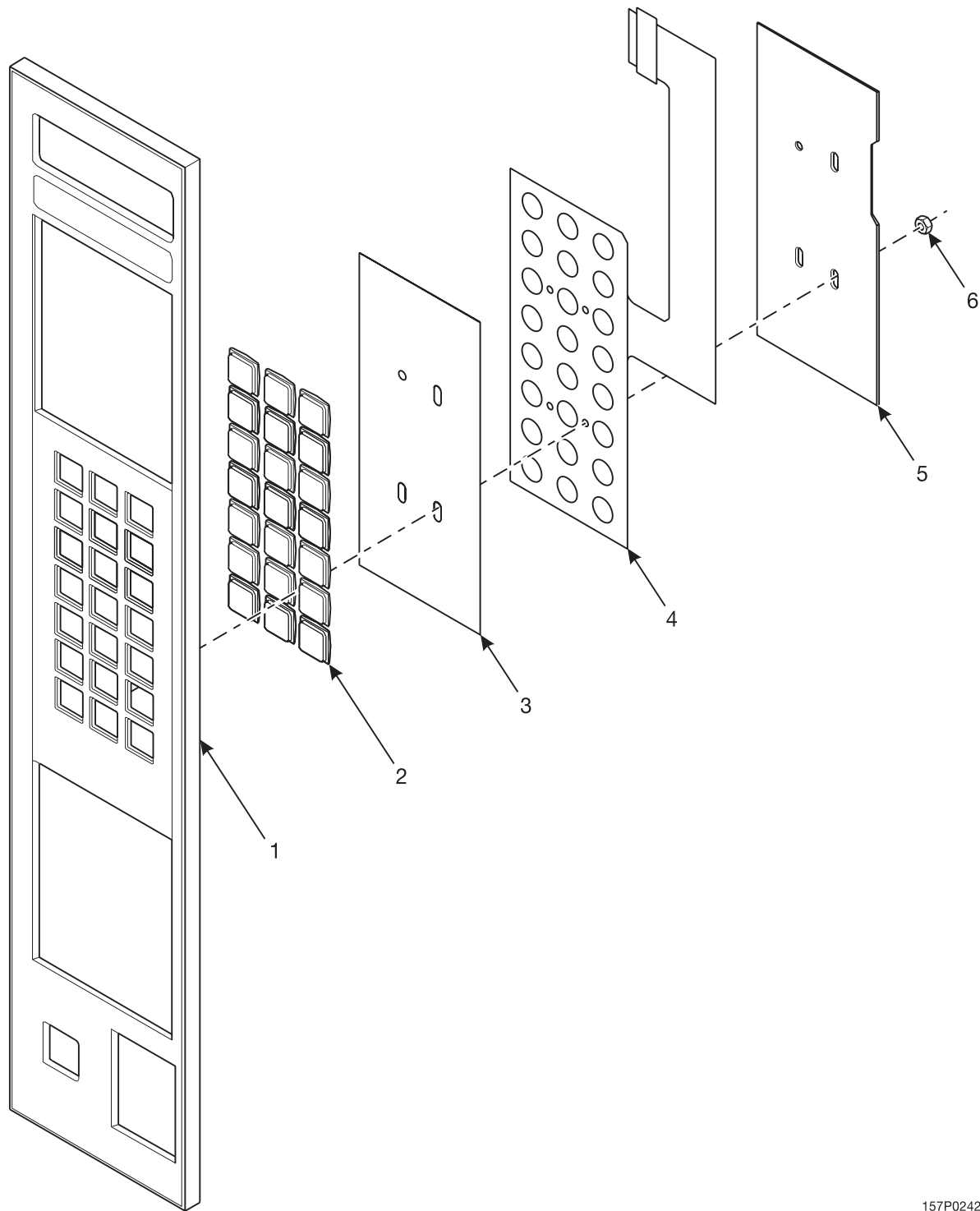
Figure 25. Coin Receptacle Assemblies

FoodCenter Parts Manual

TABLE 25. COIN RECEPTACLE ASSEMBLIES

INDEX	PART NUMBER	DESCRIPTION	QTY.
-	-	STANDARD	1
1	1572011	TRIM - COIN RECEPTICLE - STANDARD ONLY	1
2	4245084	SHAFT - DOOR - COIN RETURN	1
3	4245083	SPRING - COIN RETURN DOOR	1
4	4245082	GATE - COIN RETURN	1
5	1572010	CUP - OIN RETRUN	1
6	2302053	SPACER - CUP	4

FoodCenter Parts Manual



157P0242

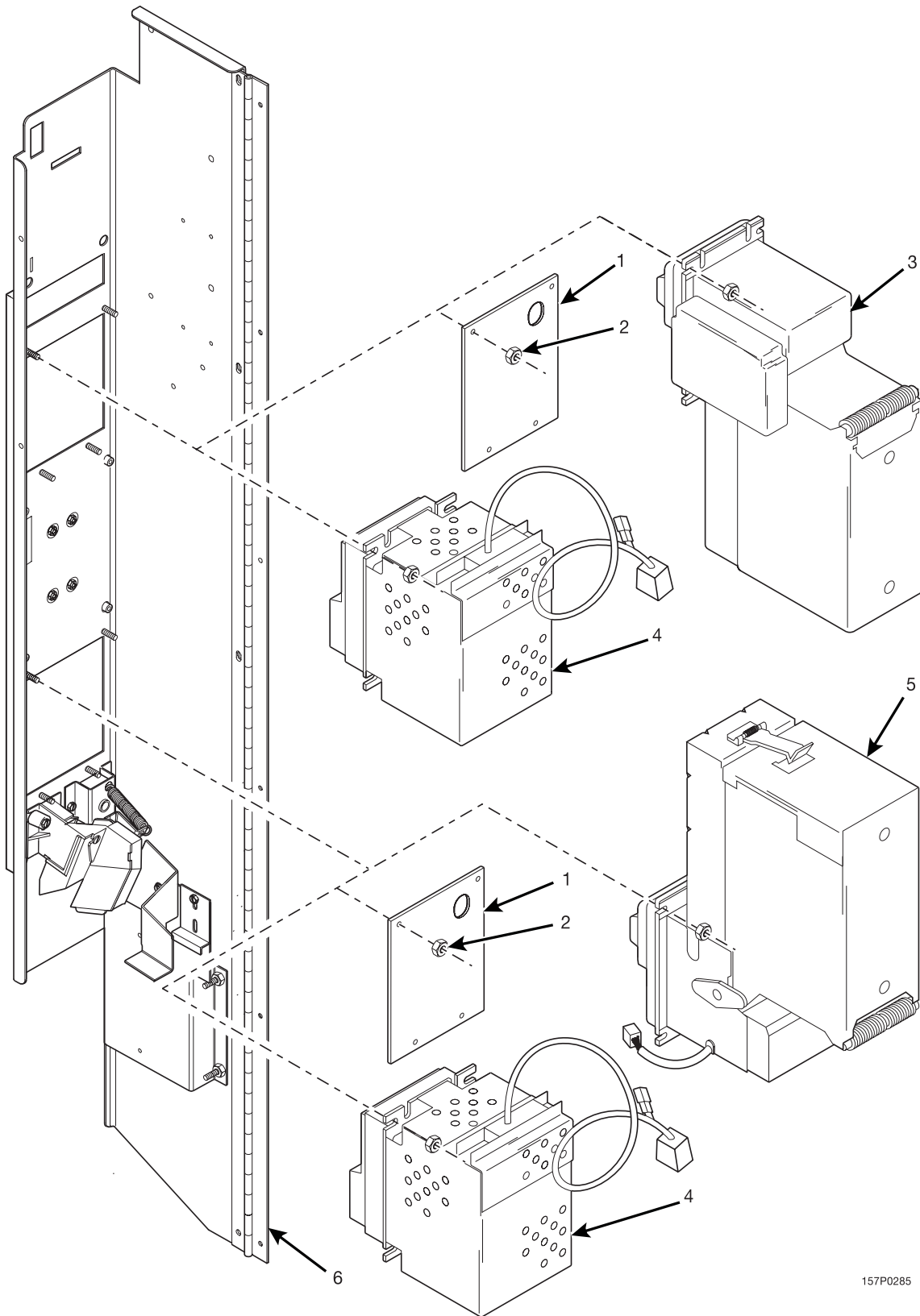
Figure 26. Faceplate Assembly

FoodCenter Parts Manual

TABLE 26. FACEPLATE ASSEMBLY

INDEX	PART NUMBER	DESCRIPTION	QTY.
1	1575098	FACEPLATE ASSEMBLY (WITH COIN OPTION)	1
	1575099	FACEPLATE ASSEMBLY (NO COIN OPTION)	
	1575001	SELECTION PANEL (WITH COIN OPTION)	
	1575043	FACEPLATE (NO COIN OPTION)	
2	1472251	LENS - PUSH BUTTON	21
3	1575010	LETTER SHEET - SELECT SWITCH	1
4	9984630	MEMBRANE SWITCH ASSEMBLY - SELECT	1
5	1575091	PLATE - SELECT SWITCH - BACK UP - W/STUD	1
6	1475089	NUT	4

FoodCenter Parts Manual



157P0285

Figure 27. Card Reader and Bill Validator Combinations

FoodCenter Parts Manual

TABLE 27. CARD READER AND BILL VALIDATOR COMBINATIONS

INDEX	PART NUMBER	DESCRIPTION	QTY.
-	-	MONETARY PANEL WELD ASSEMBLY (REF)	1
1	1575048	PLATE - INSERT BACKING	1
2	9900081	NUT #8 - 32 - ZINC PLATE	8
3	-	DOWNSTACK BILL VALIDATOR	OPT
4	-	DEBIT CARD READER	OPT
5	-	UPSTACK BILL VALIDATOR	OPT

TABLE 27 A. MONETARY LOCATION OPTIONS

MONETARY CAPABILITY	MONETARY PANEL LOCATION		WITH COIN?
	UPPER	LOWER	
COIN - VAL - CARD	CARD READER	UPSTACK VALIDATOR	YES
COIN - VAL - CARD	DOWNSTACK VALIDATOR	CARD READER	YES
COIN - VAL	INSERT INSTRUCTIONS BACK - UP PLATE (1575048)	UPSTACK VALIDATOR	YES
COIN - VAL	DOWNSTACK VALIDATOR	INSERT INSTRUCTIONS BACK - UP PLATE (1575048)	YES
COIN - CARD	INSERT INSTRUCTIONS BACK - UP PLATE (1575048)	CARD READER	YES
COIN - CARD	CARD READER	INSERT INSTRUCTIONS BACK - UP PLATE (1575048)	YES
VAL - CARD	DOWNSTACK VALIDATOR	CARD READER	NO
VAL - CARD	CARD READER	DOWNSTACK VALIDATOR	NO
COIN ONLY	INSERT INSTRUCTIONS BACK - UP PLATE (1575048)	INSERT INSTRUCTIONS BACK - UP PLATE (1575048)	YES
VAL ONLY	INSERT INSTRUCTIONS BACK - UP PLATE (1575048)	UPSTACK VALIDATOR	NO
VAL ONLY	DOWNSTACK VALIDATOR	INSERT INSTRUCTIONS BACK - UP PLATE (1575048)	NO
CARD ONLY	CARD READER	INSERT INSTRUCTIONS BACK - UP PLATE (1575048)	NO
CARD ONLY	INSERT INSTRUCTIONS BACK - UP PLATE (1575048)	CARD READER	NO

NOTES:

ALL ITEMS ARE SECURED WITH FOUR NUTS (P/N 9900081).
SHADED ITEMS REPRESENT ALTERNATE CONFIGURATIONS

FoodCenter Parts Manual

TABLE 27 B. CARD READER OPTIONS

PART NUMBER	DESCRIPTION
1475107	DEBITEK # VIS - MM - NAT SYSTEM III
1575050	BRACKET - DEBITEK CONTROLLER (NO COIN OPTION)
1575052	BRACKET - DEBITEK CONTROLLER (WITH COIN OPTION)

TABLE 27 C. BILL VALIDATOR OPTIONS

PART NUMBER	DESCRIPTION	HARNESS PART NUMBER
5900198	VALIDATOR - MARS - S2000 - VN2311 - U5E	1579005
5900182	VALIDATOR - COINCO - BA305A	1579028
5900193	VALIDATOR - MARS - S2000 - VN2511 - U5E - CN5	1579028
5900233	VALIDATOR - CONLUX MKA 2152 - 12B 120V	1579028
5900205	VALIDATOR - MARS - VN2512 - U5E - 24V	1579032 (HARNESS) 9989718 (JUMPER)
5900221	VALIDATOR - COINCO - BA32SA - 24V	
5900234	VALIDATOR - CONLUX - 2162 - 24V - 300	
1475053	VALIDATOR - MAKA - NB - 1KB - 400 WITH MASK "K" INSTALLED	1579006
3152444	VALIDATOR - MARS - VFM1 - S1 - U4C - CNSMT	1579005
3152391	VALIDATOR - MARS VFM3 - S1 - U4C - CNSMT	1579028
5900247	VALIDATOR - MARS AE 2612 - U5M - MDB	-
5900248	VALIDATOR - MARS AE 2611 - U5E SERIAL	1579028

MDB VALIDATOR OPTIONS

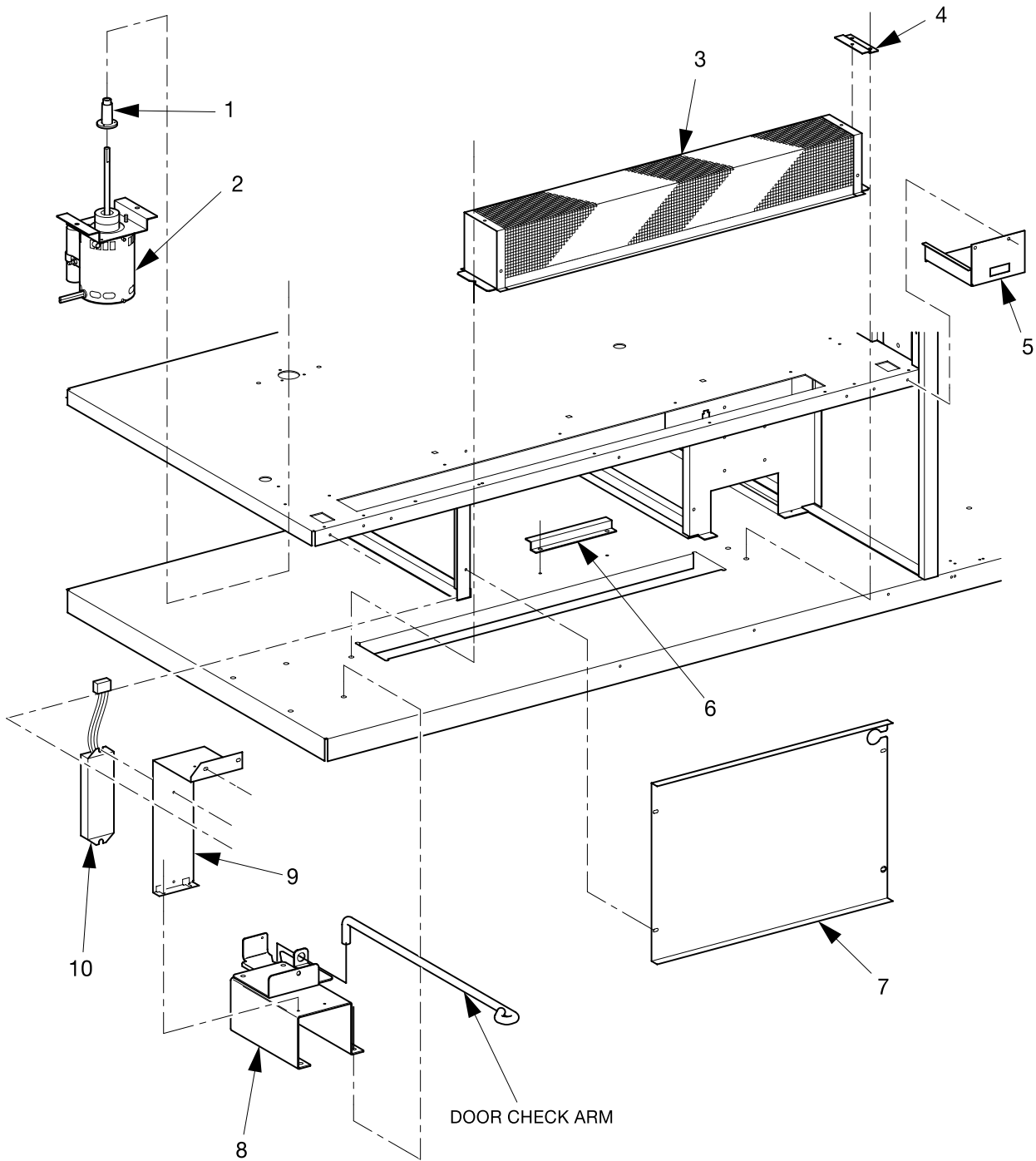
5900182	VALIDATOR - COINCO - BA 30SA	1579034
5900210	VALIDATOR - MARS - VN2512 - USM/500 - MDB	-
5900234	VALIDATOR - COINLUX - 2162 - 24V - 300	1579050

FoodCenter Parts Manual

TABLE 27 D. COIN MECHANISM OPTIONS

PART NUMBER	DESCRIPTION
5900116	MARS TRC6000 COIN UNIT
5307321	COINTRON 3000 - US COIN VAL
5900096	COINCO 9340L COIN UNIT
5900112	MARS MC5000 COIN UNIT
6400002	COIN CHANGER - MARS #TRC 6010XV
6000003	COIN CHANGER - COINCO # 9302LF - 24
5900094	COINCO 9300L COIN UNIT
5900192	COIN UNIT - COINLUX USLX00401F
5900213	COIN UNIT - COINCO - 9302 - GX - MDB
5900209	COIN UNIT - CONLUX - USLZ - 001 - MDB
5900214	COIN UNIT - MARS - VN 4510 - MDB
5900216	COIN UNIT - MARS - VN 4000, 110V
5900217	COIN UNIT - MARS - VN 4010 XV - 24V
5900192	COIN UNIT - CONLUX - USLX 00401F
5900237	COIN UNIT - CONLUX - USLX - 001 120V
5900222	COIN UNIT - MARS TRC6000 - ASV

FoodCenter Parts Manual



428p0050

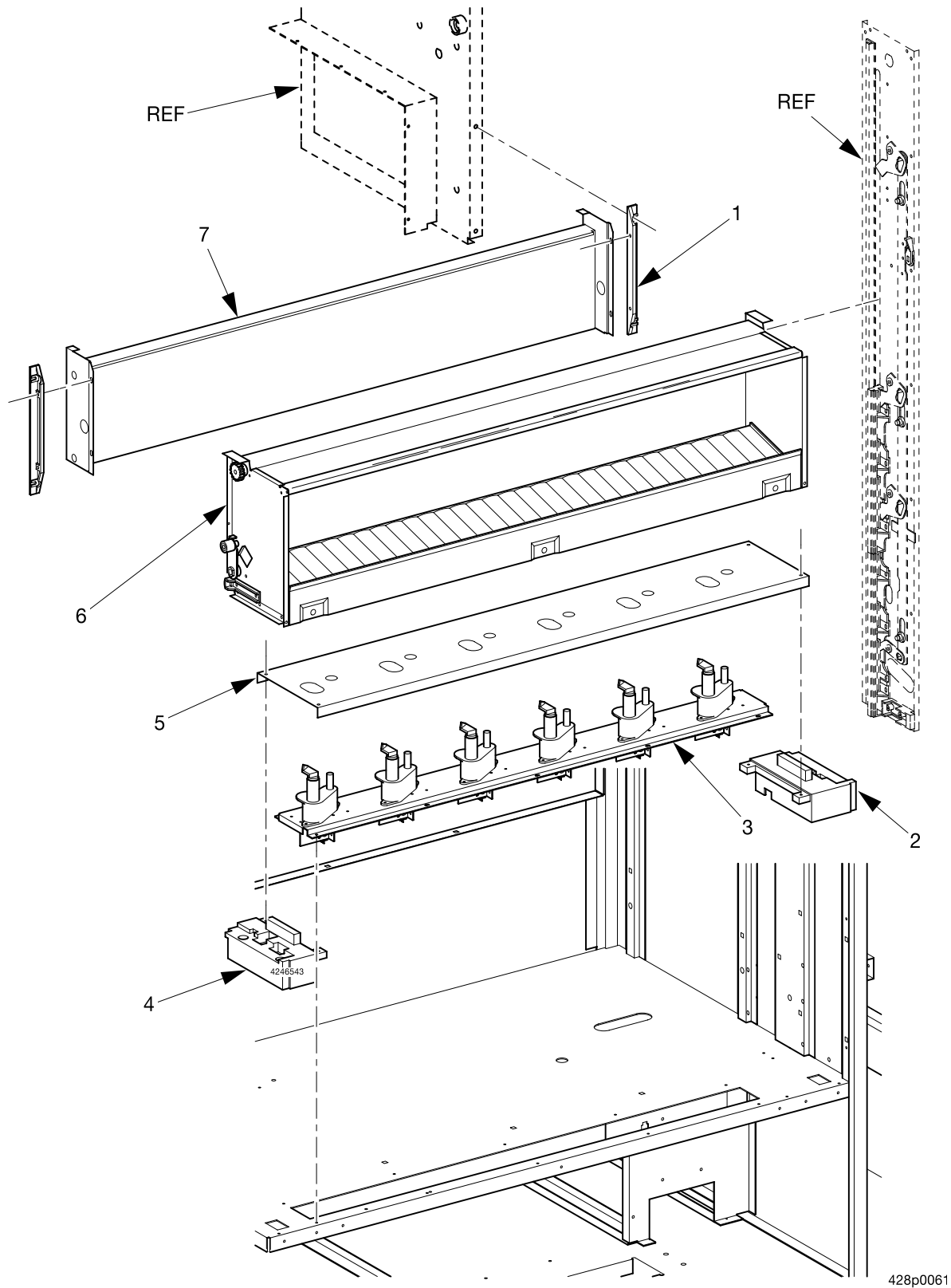
Figure 28. Cabinet Assembly - Main Compartment - Part 1

FoodCenter Parts Manual

TABLE 28. CABINET ASSEMBLY - MAIN COMPARTMENT - PART 1

INDEX	PART NUMBER	DESCRIPTION	QTY.
1	4241202	SLEEVE - SHAFT - BLOWER MOTOR	1
2	4241172X	MOTOR & BRACKET ASSEMBLY - BLOWER (SEE FIGURE 45)	1
3	4041056	FRONT SCREEN ASSEMBLY	1
4	4041058	GUIDE - FRONT SCREEN	1
5	4281031	COVER - SOLENOID RIGHT	1
6	4241166	RETAINER - COMPRESSOR BASE	1
7	4281056	COVER - BAFFLE - REFRIGERATION	1
8	4281030	DOOR CHECK ASSEMBLY - TRAYLOCK - CABINET	1
9	4281027	COVER - BALLAST	1
10	4241135	BALLAST ASSEMBLY - CENTER LIGHT - 115V	1
	4252187	BALLAST ASSEMBLY - 30W - 230V	

FoodCenter Parts Manual



428p0061

Figure 29. Cabinet Assembly - Main Compartment - Part 2

FoodCenter Parts Manual

TABLE 29. CABINET ASSEMBLY - MAIN COMPARTMENT - PART 2

INDEX	PART NUMBER	DESCRIPTION	QTY.
1	4246047	GUIDE - ELEVATOR	2
2	4246317	BLOCK - CORNER - LOWER RIGHT	1
3	4286025	CHANNEL ASSEMBLY - HORIZONTAL (SEE FIGURE 58)	1
4	4246543	BLOCK - CORNER - LOWER LEFT	1
5	4246544	PANEL - FILLER - BOTTOM	1
6	4256013	TRAY ASSEMBLY - ELEVATOR (SEE FIGURE 56)	1
7	4246513	MOVABLE PANEL - BRACKET & ARM ASSEMBLY (SEE FIGURE 59)	1

FoodCenter Parts Manual

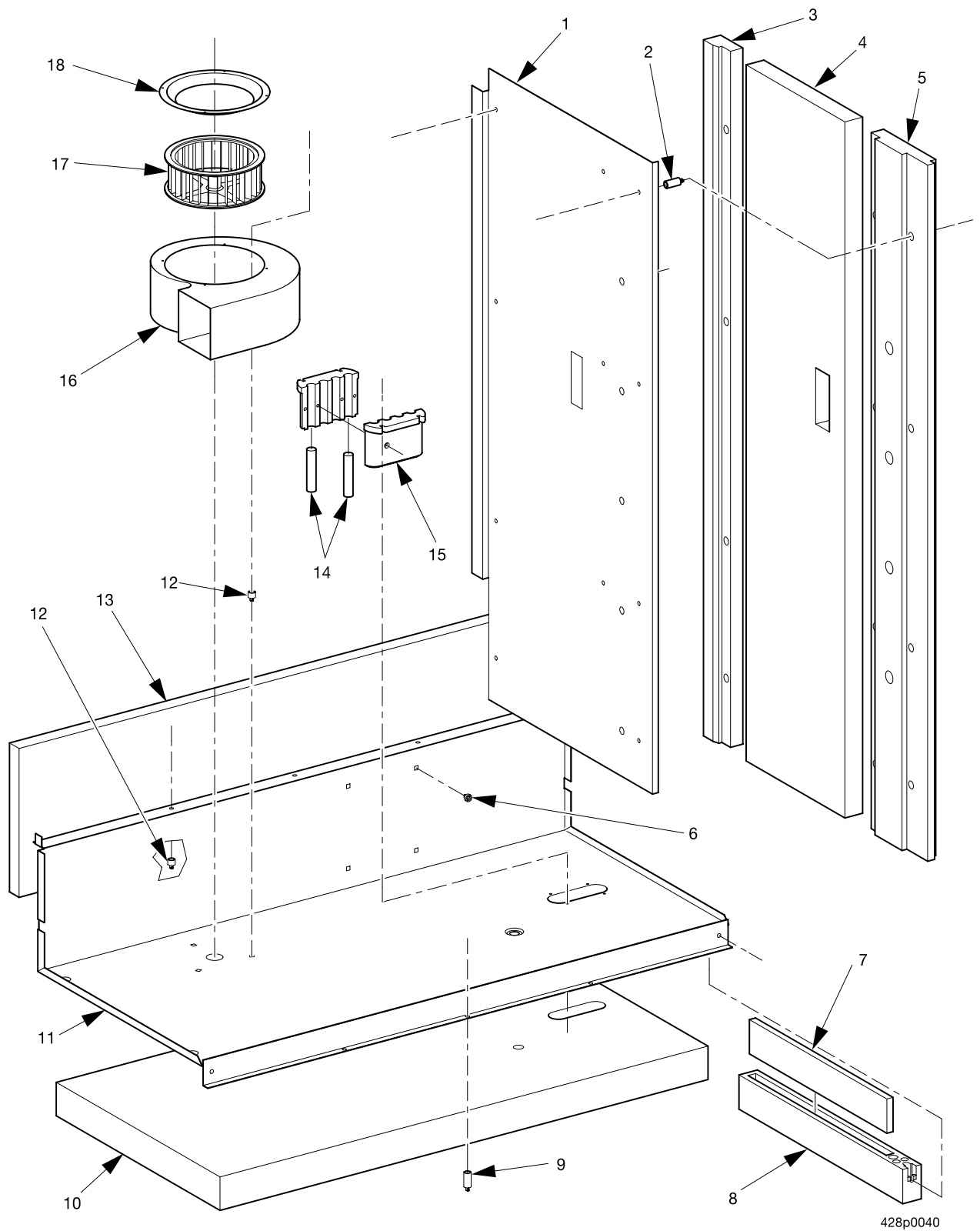


Figure 30. Cabinet Assembly - Main Compartment - Part 3

FoodCenter Parts Manual

TABLE 30. CABINET ASSEMBLY - MAIN COMPARTMENT - PART 3

INDEX	PART NUMBER	DESCRIPTION	QTY.
1	4251013	WALL - CABINET LINER - RIGHT	1
2	4241164	SPACER - ELEVATOR - .937 X .500 DIAMETER	11
3	4241137	INSULATION - CABINET - RIGHT SIDE	1
4	4251109	INSULATION - CABINET - BLOCK - RIGHT SIDE	1
5	4241146	INSULATION - CABINET - RIGHT SIDE	1
6	4241163	NUT - SPACER - #8 - .130 (4 USED WITH ITEM 11 AND 4 USED ON REFRIGERATION EVAPORATOR	8
7	4241249	INSULATION - LINER BLOCK	1
8	4241130	BLOCK - SUPPORT - LINER - BOTTOM	
9	4241160	SPACER - LINER	6
10	4251100	INSULATION - CABINET - BOTTOM BLOCK	
11	4251101	PAN - CABINET LINER - BOTTOM	
12	4241165	SPACER - LINER - .375 X .500 DIA.	9
13	4241110	INSULATION - CABINET - LOWER BACK	
14	4241248	INSULATION - .50 DIA X 3.00 DIA	2
15	4241180	BLOCK - SUPPORT - REFRIGERATION LINE	2
16	4241220	HOUSING BLOWER	
17	4241218	WHEEL - BLOWER	
18	4241217	INLET - BLOWER HOUSING	2

FoodCenter Parts Manual

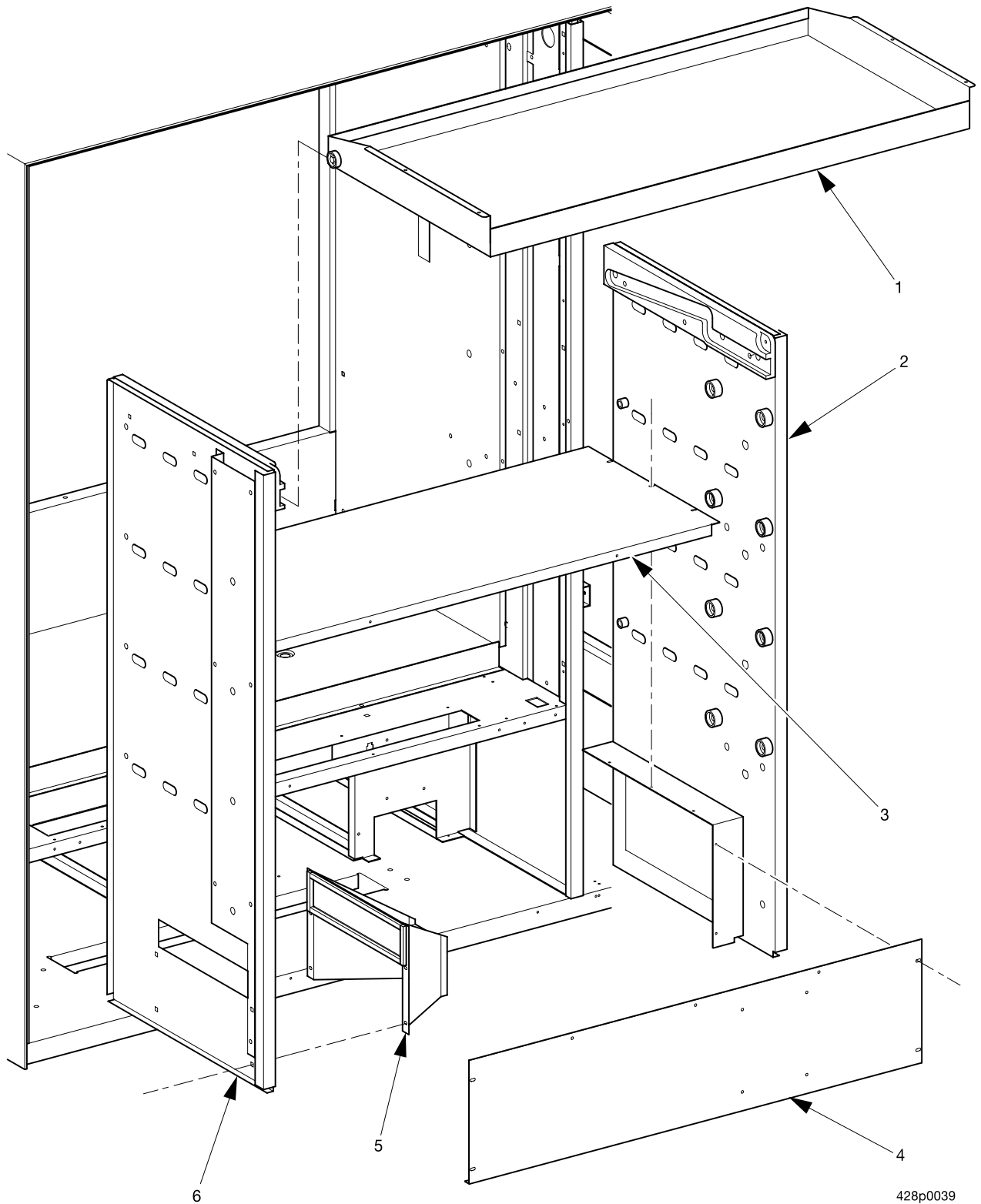


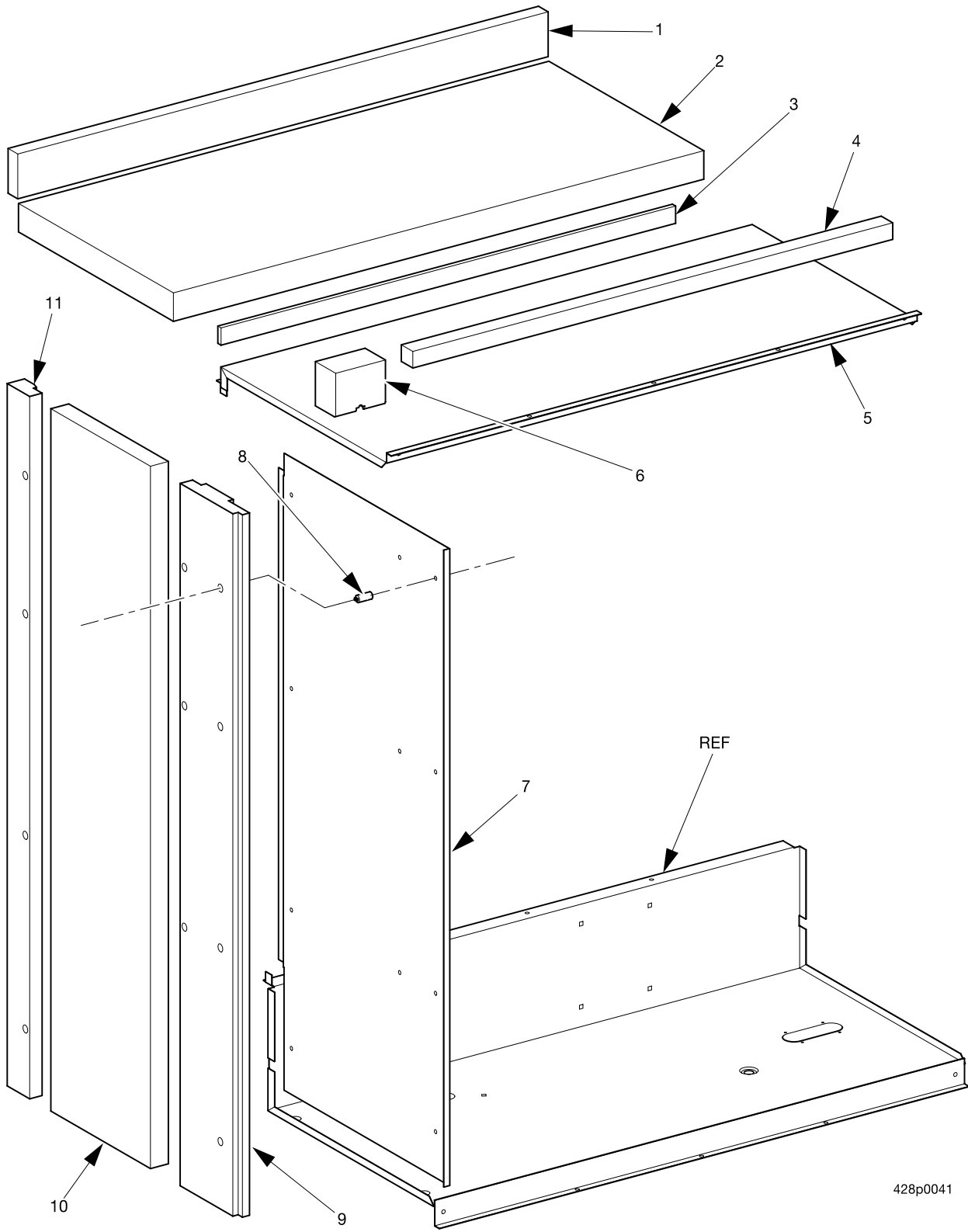
Figure 31. Cabinet Assembly - Main Compartment - Part 4

FoodCenter Parts Manual

TABLE 31. CABINET ASSEMBLY - MAIN COMPARTMENT - PART 4

INDEX	PART NUMBER	DESCRIPTION	QTY.
1	4247200	STORAGE TRAY ASSEMBLY (FIELD INSTALLED KIT)	1
2	4251017X	SUPPORT ASSEMBLY - TRAY - RIGHT (SEE FIGURE 48)	1
3	4241128	COVER - HEAT EXCHANGER - TOP	1
4	4241129	COVER - HEAT EXCHANGER - FRONT	1
5	4241098X	DUCT ASSEMBLY - BLOWER	1
6	4251016X	SUPPORT ASSEMBLY - TRAY - LEFT (SEE FIGURE 47)	1

FoodCenter Parts Manual



428p0041

Figure 32. Cabinet Assembly - Main Compartment - Part 5

FoodCenter Parts Manual

TABLE 32. CABINET ASSEMBLY - MAIN COMPARTMENT - PART 5

INDEX	PART NUMBER	DESCRIPTION	QTY.
1	4241141	INSULATION - CABINET - UPPER BACK	1
2	4241142	INSULATION - CABINET - BLOCK - TOP	1
3	4241225	INSULATION - CABINET - REAR SIDE	2
4	4241144	INSULATION - CABINET - TOP	1
5	4241112	PANEL - CABINET - LINER - TOP	1
6	4241131	BLOCK - SUPPORT - TOP LINER	2
7	4241325	WALL - CABINET LINER - LEFT	1
8	4241164	SPACER - ELEVATOR - .937 X .50 DIA.	11
9	4241145	INSULATION - CABINET - LEFT SIDE	1
10	4241138	INSULATION - CABINET - BLOCK - SIDE	1
11	4241136	INSULATION - CABINET - LEFT SIDE	1

FoodCenter Parts Manual

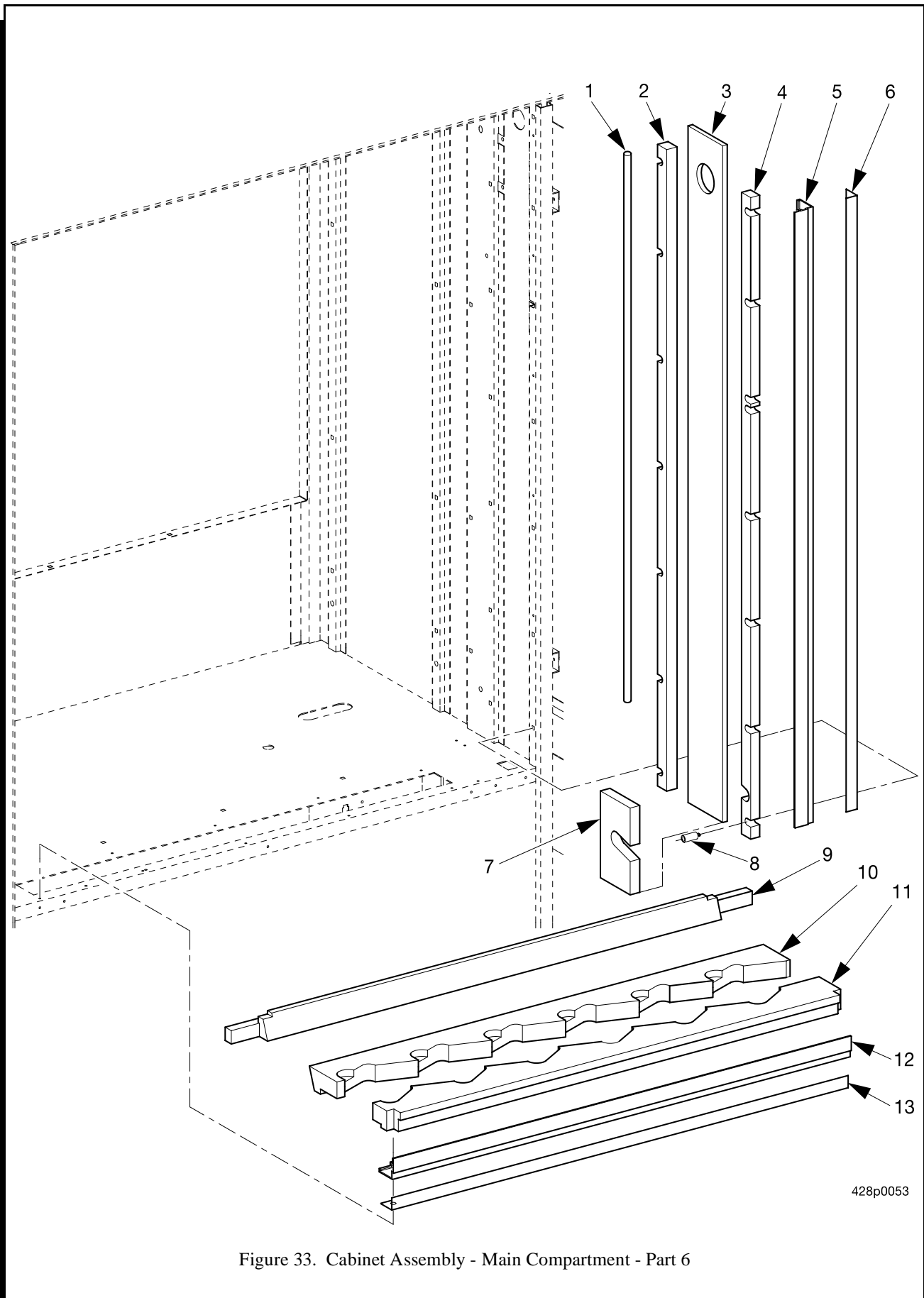


Figure 33. Cabinet Assembly - Main Compartment - Part 6

FoodCenter Parts Manual

TABLE 33. CABINET ASSEMBLY - MAIN COMPARTMENT - PART 6

INDEX	PART NUMBER	DESCRIPTION	QTY.
1	4241153	INSULATION - .50 DIA X 62.25 INCH	1
2	4241147	INSULATION - ELEVATOR - REAR	1
3	4241244	INSULATION - ELEVATOR BLOCK - RIGHT SIDE	1
4	4241150	INSULATION - ELEVATOR - FRONT	1
5	4246553	FRAME - THERMAL BARRIER - RIGHT	1
6	4246549	ANGLE - FRAME - RIGHT	1
7	4241151	INSULATION - ELEVATOR BLOCK - RIGHT	1
8	4241164	SPACER - ELEVATOR - .937 X .500 DIA.	14
9	4241154	INSULATION - ELEVATOR - BOTTOM	1
10	4241156	INSULATION - ELEVATOR - LOWER - REAR	1
11	4241155	INSULATION - ELEVATOR - LOWER - FRONT	1
12	4246552	FRAME - THERMAL BARRIER - BOTTOM	1
13	4246548	ANGLE - FRAME - BOTTOM	1

FoodCenter Parts Manual

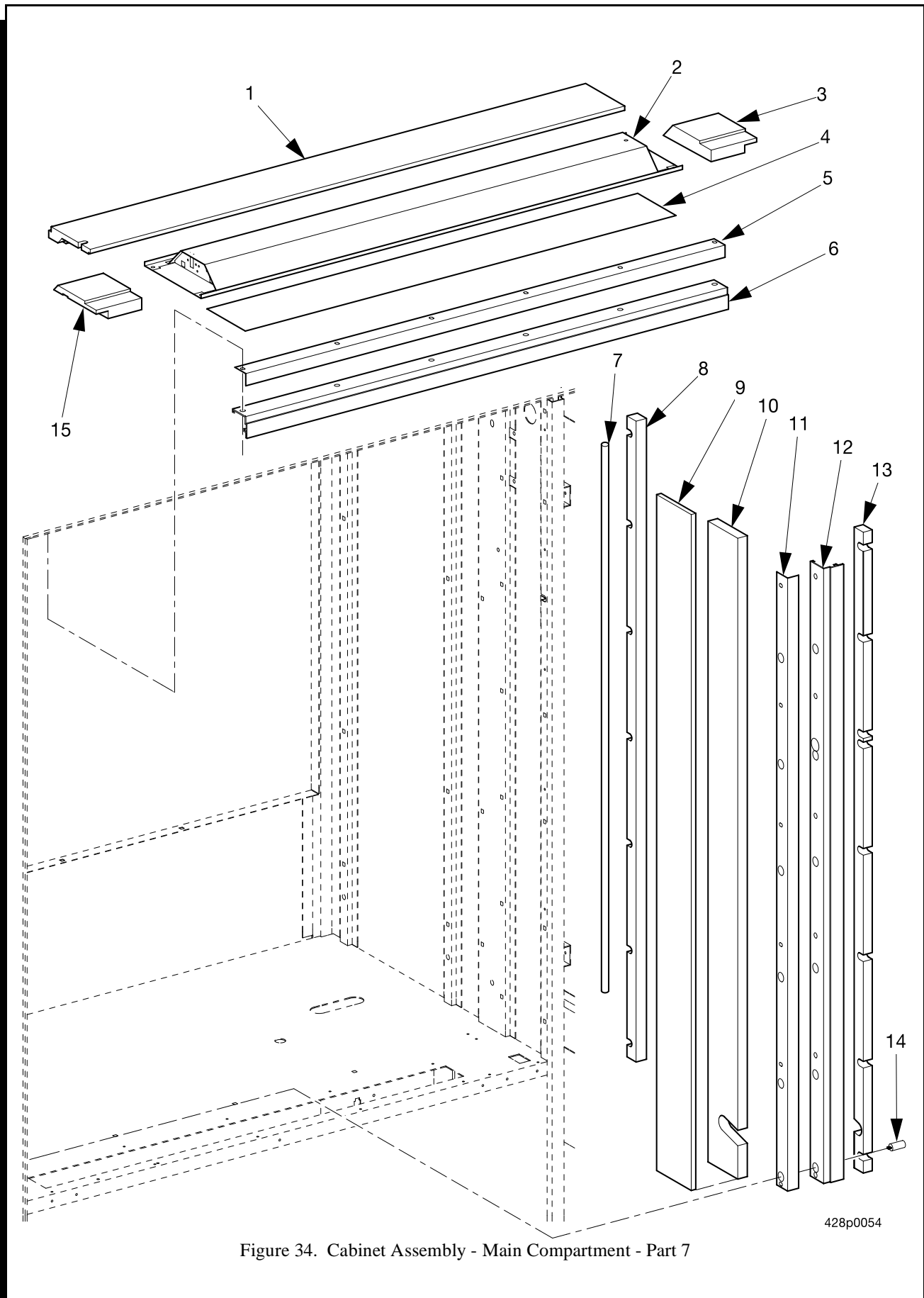


Figure 34. Cabinet Assembly - Main Compartment - Part 7

428p0054

FoodCenter Parts Manual

TABLE 34. CABINET ASSEMBLY - MAIN COMPARTMENT - PART 7

INDEX	PART NUMBER	DESCRIPTION	QTY.
1	4241232	INSULATION - LIGHT TOP	1
-	4255143	CENTER LIGHT & DIFFUSER ASSEMBLY (INCLUDES INDEX 2 & 4)	1
2	-	CENTER LIGHT ASSEMBLY (SEE FIGURE 46)	-
3	4241230	INSULATION - LIGHT - RIGHT	1
4	4241123	DIFFUSER LIGHT	1
5	4246547	ANGLE - FRAME - TOP	1
6	4246551	FRAME - THERMAL BARRIER - TOP	1
7	4241153	INSULATION - .50 DIA X 62.25 INCH	1
8	4241147	INSULATION - ELEVATOR - REAR	1
9	4241149	INSULATION - ELEVATOR BLOCK - COMMON	1
10	4241152	INSULATION - ELEVATOR BLOCK - LEFT	1
11	4246550	ANGLE - FRAME - LEFT	1
12	4246554	FRAME - THERMAL BARRIER - LEFT	1
13	4241150	INSULATION - ELEVATOR - FRONT	1
14	4241164	SPACER - ELEVATOR - .937 X .500 DIA.	14
15	4241229	INSULATION - LIGHT - LEFT END	1

FoodCenter Parts Manual

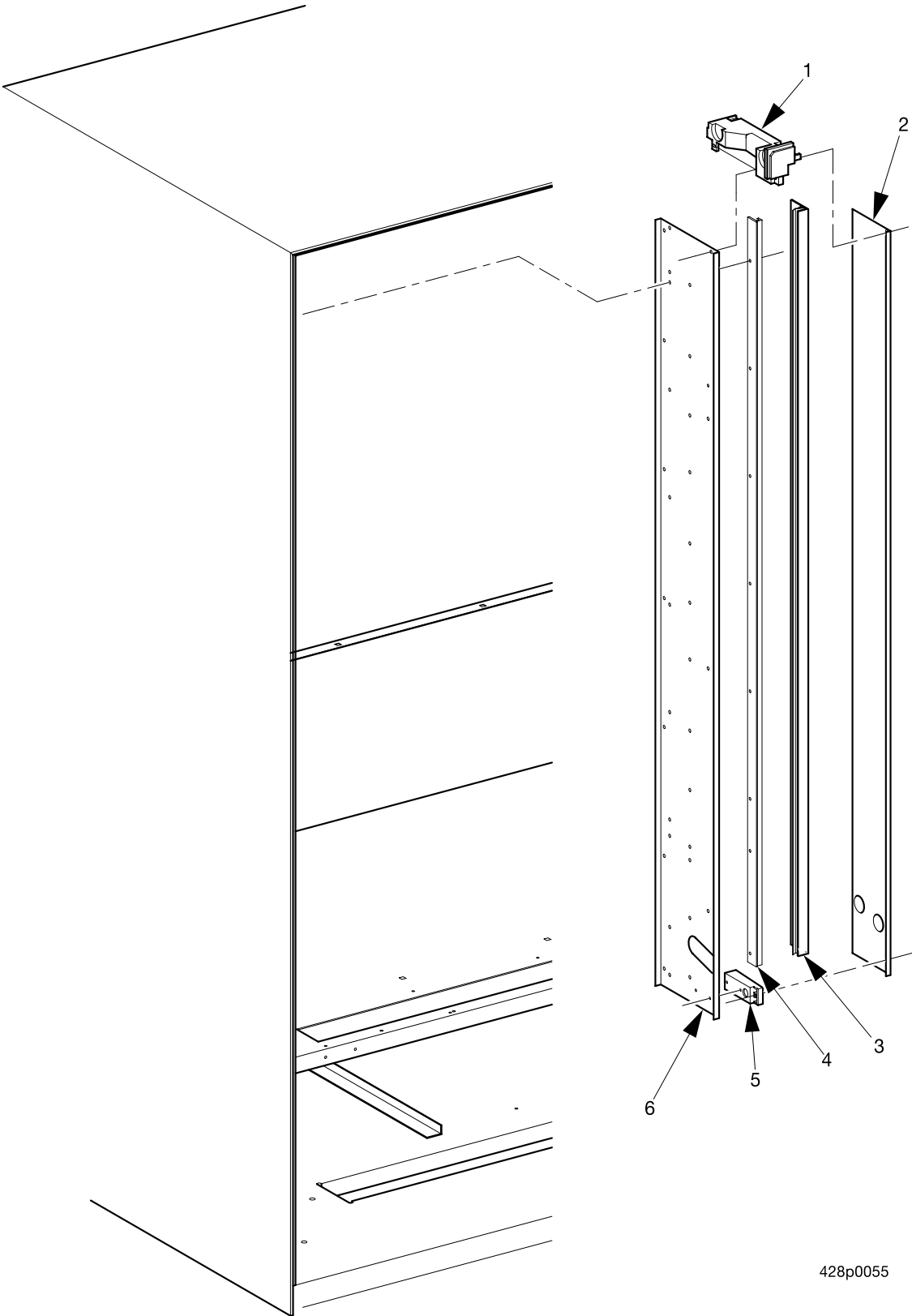


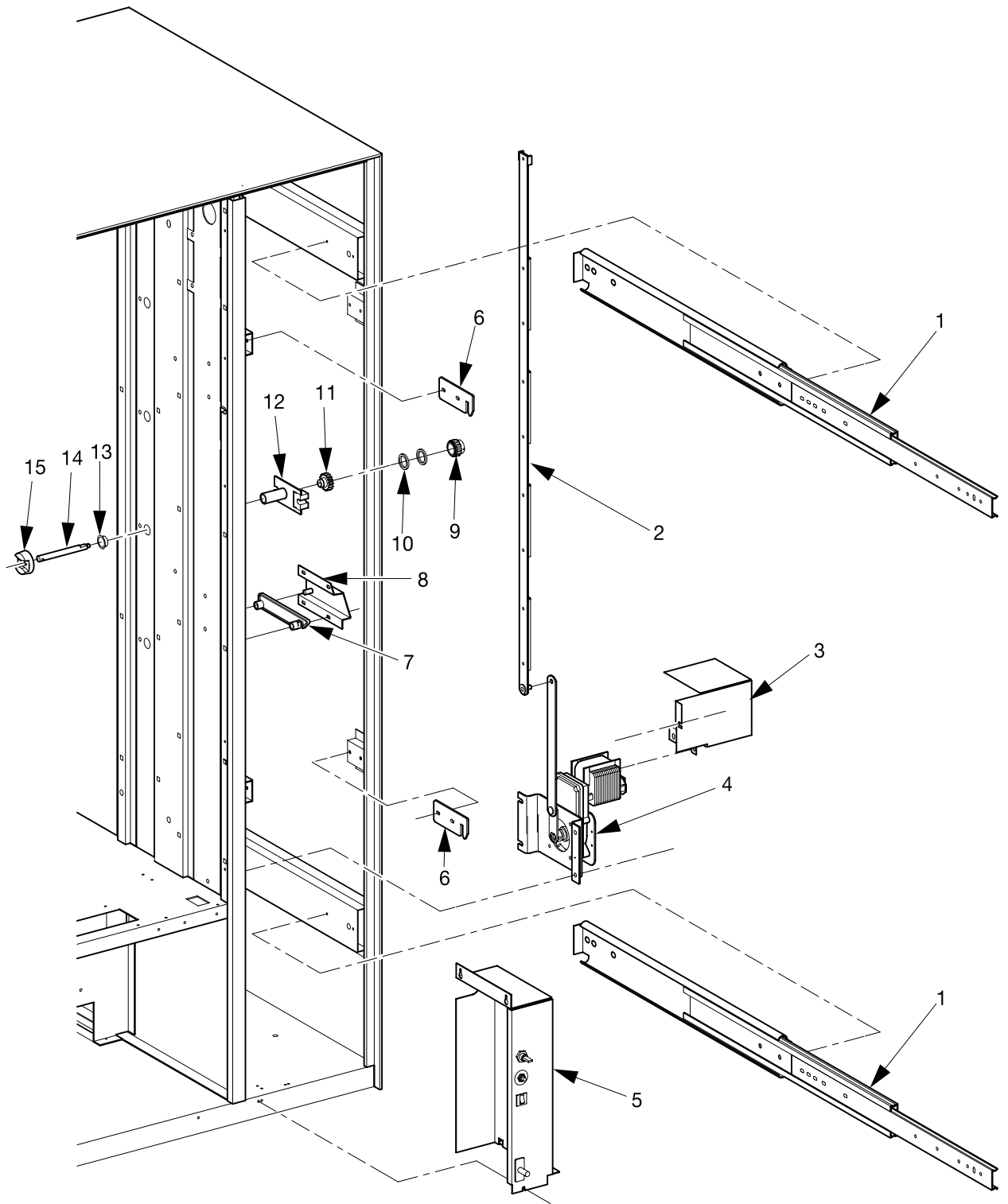
Figure 35. Cabinet Assembly - Main Compartment - Part 8

FoodCenter Parts Manual

TABLE 35. CABINET ASSEMBLY - MAIN COMPARTMENT - PART 8

INDEX	PART NUMBER	DESCRIPTION	QTY.
1	4246203	BLOCK - CORNER - UPPER - LEFT	1
2	4256015	PANEL - FILLER - LEFT	1
3	4246555	COVER - TRACK	1
4	4246202	TRACK - ELEVATOR - LEFT	1
5	4246117	BLOCK - MOUNTING - SIDE PANEL	1
6	4246201	CHANNEL - ELEVATOR - LEFT	1
-	4646102	RACK - ELEVATOR (NOT SHOWN)	4

FoodCenter Parts Manual



428p0051

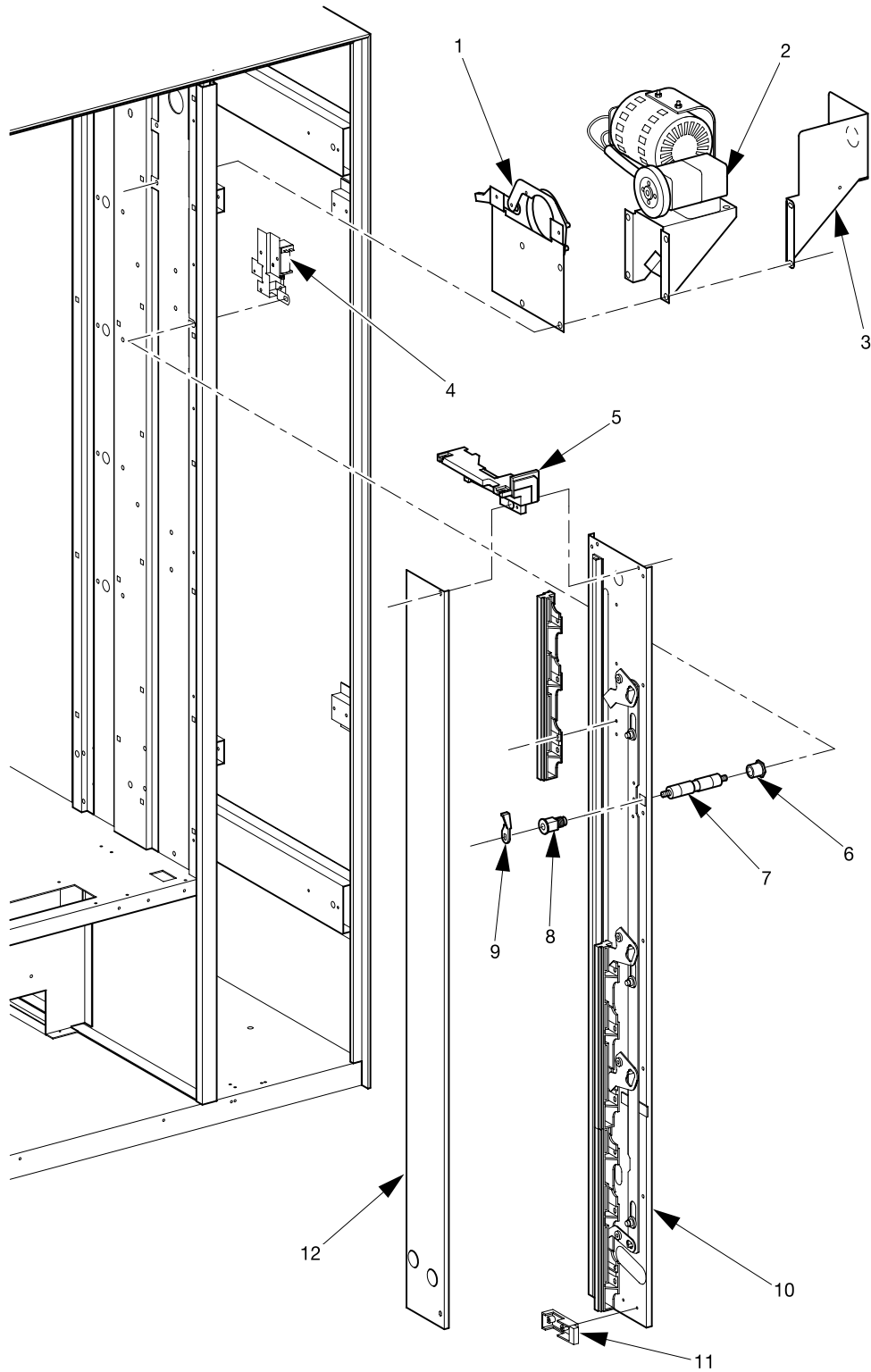
Figure 36. Cabinet Assembly - Monetary Compartment - Part 1

FoodCenter Parts Manual

TABLE 36. CABINET ASSEMBLY - MONETARY COMPARTMENT - PART 1

INDEX	PART NUMBER	DESCRIPTION	QTY.
1	4241183	SLIDE - MONETARY - GRANT #3320 - 24 INCH	2
2	4241056X	BAR & RACK ASSEMBLY - TRAY DRIVE - CABINET	1
3	4281049	COVER - MOTOR - TRAY (230 VOLT APPLICATIONS)	1
4	4287100	DRIVE ASSEMBLY - TRAY MOTOR	1
5	4281042	POWER PANEL ASSEMBLY - DOMESTIC (USA) (SEE FIGURE 39)	1
	4281050	POWER PANEL ASSEMBLY - UK (UK) (SEE FIGURE 40)	
	4281055	POWER PANEL ASSEMBLY - 230V (FR., GER., AUST., SWED.) (SEE FIGURE 41)	
6	1571074	LOCK ARM - CABINET	4
7	4241203	LATCH - MAIN DOOR	1
8	4241204	CHANNEL ASSEMBLY - LATCH - MAIN DOOR	1
9	4241171	THUMB NUT - DRIVE SHAFT - WALL	4
10	4241238	SPACER - DRIVE SHAFT - WALL CABINET	8
11	4241170	GEAR - RACK - DRIVE - TRAY	4
12	4241169	RETAINER - RACK - DRIVE - TRAY	4
13	4047012	SHOULDER BUSHING	4
14	4241313	DRIVE SHAFT ASSEMBLY - CABINET	4
15	4241312	COUPLING - DUAL SLIDE - DRIVE SHAFT - CABINET	8

FoodCenter Parts Manual



428p006C

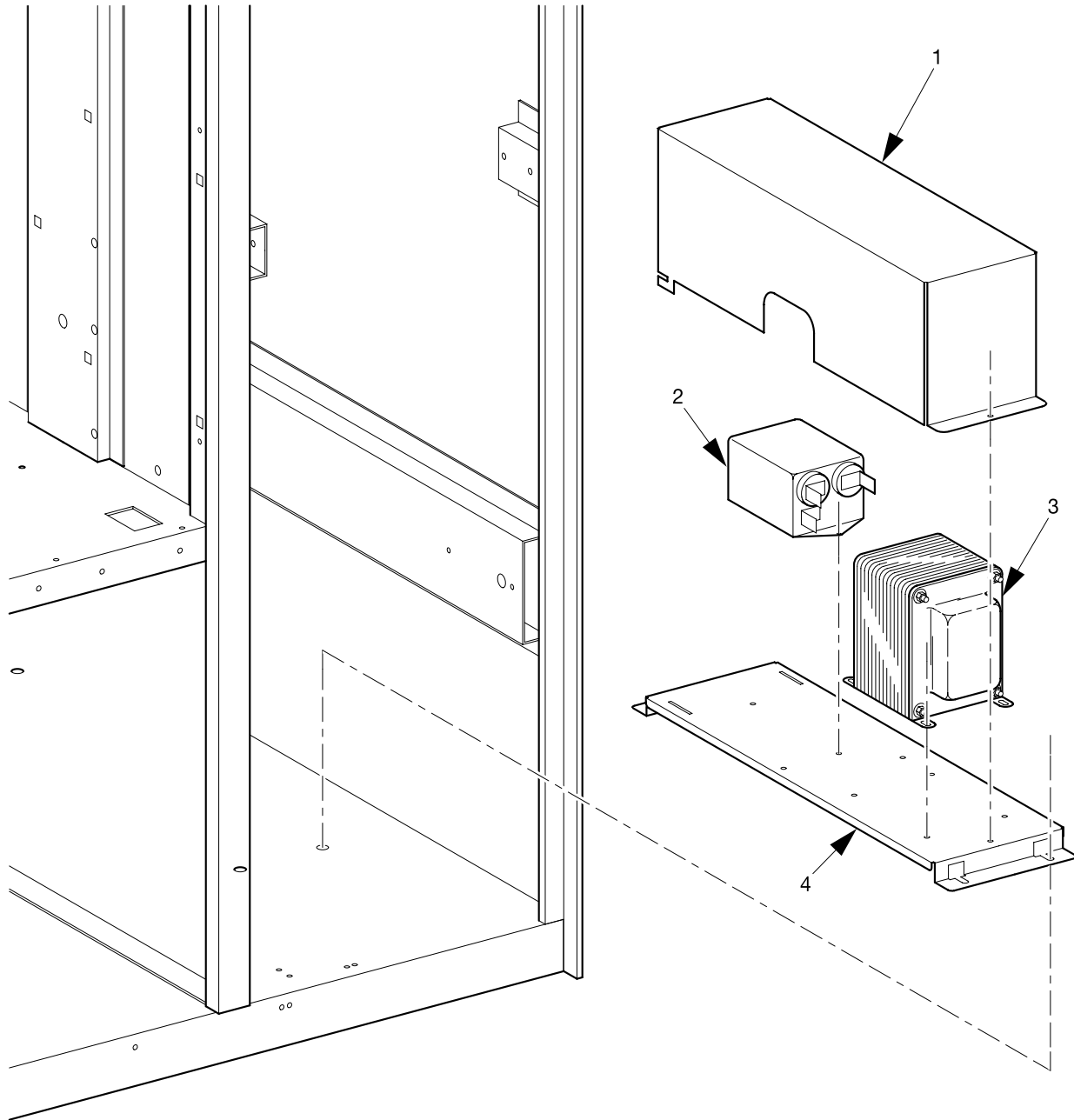
Figure 37. Cabinet Assembly - Monetary Compartment - Part 2

FoodCenter Parts Manual

TABLE 37. CABINET ASSEMBLY - MONETARY COMPARTMENT - PART 2

INDEX	PART NUMBER	DESCRIPTION	QTY.
1	4246511X	BRAKE ARM PLATE & LEVER ASSEMBLY (SEE FIGURE 50)	1
2	4281036	DRIVE MOTOR ASSEMBLY - FINAL (SEE FIGURE 51)	1
3	4281037	COVER - DRIVE MOTOR - FOREIGN (230 VOLT APPLICATIONS)	1
4	4256020X	BRACKET ARM & SOLENOID ASSEMBLY - ELEVATOR STOP (SEE FIGURE 54)	1
5	4246116	BLOCK - CORNER - UPPER RIGHT	1
6	4246559	NUT - BUSHING - ELEVATOR STOP	1
7	4246528	SHAFT - PAWL - ELEVATOR - STOP	1
8	4246558	BUSHING - SHAFT - ELEVATOR - STOP	1
9	4246560	PAWL - ELEVATOR STOP	1
10	4256000	CHANNEL ASSEMBLY - ELEVATOR - RIGHT SIDE (SEE FIGURE 55)	1
11	4246117	BLOCK - MOUNTING - SIDE PANEL	1
12	4256014	PANEL - FILLER - RIGHT	1

FoodCenter Parts Manual



428p0063

Figure 38. Cabinet Assembly - Monetary Compartment - Part 3

FoodCenter Parts Manual

TABLE 38. CABINET ASSEMBLY - MONETARY COMPARTMENT - PART 3

INDEX	PART NUMBER	DESCRIPTION	QTY.
1	4281038	COVER - TRANSFORMER & FILTER (230 VOLT APPLICATIONS)	1
2	9989110	FILTER - POWER LINE - EMI (230 VOLT APPLICATIONS)	1
3	9989047	TRANSFORMER - 230/105 V - 500 VA - AUTO (230 VOLTS)	1
4	4281039	STAND - TRANSFORMER & FILTER (230 VOLT APPLICATIONS)	1

FoodCenter Parts Manual

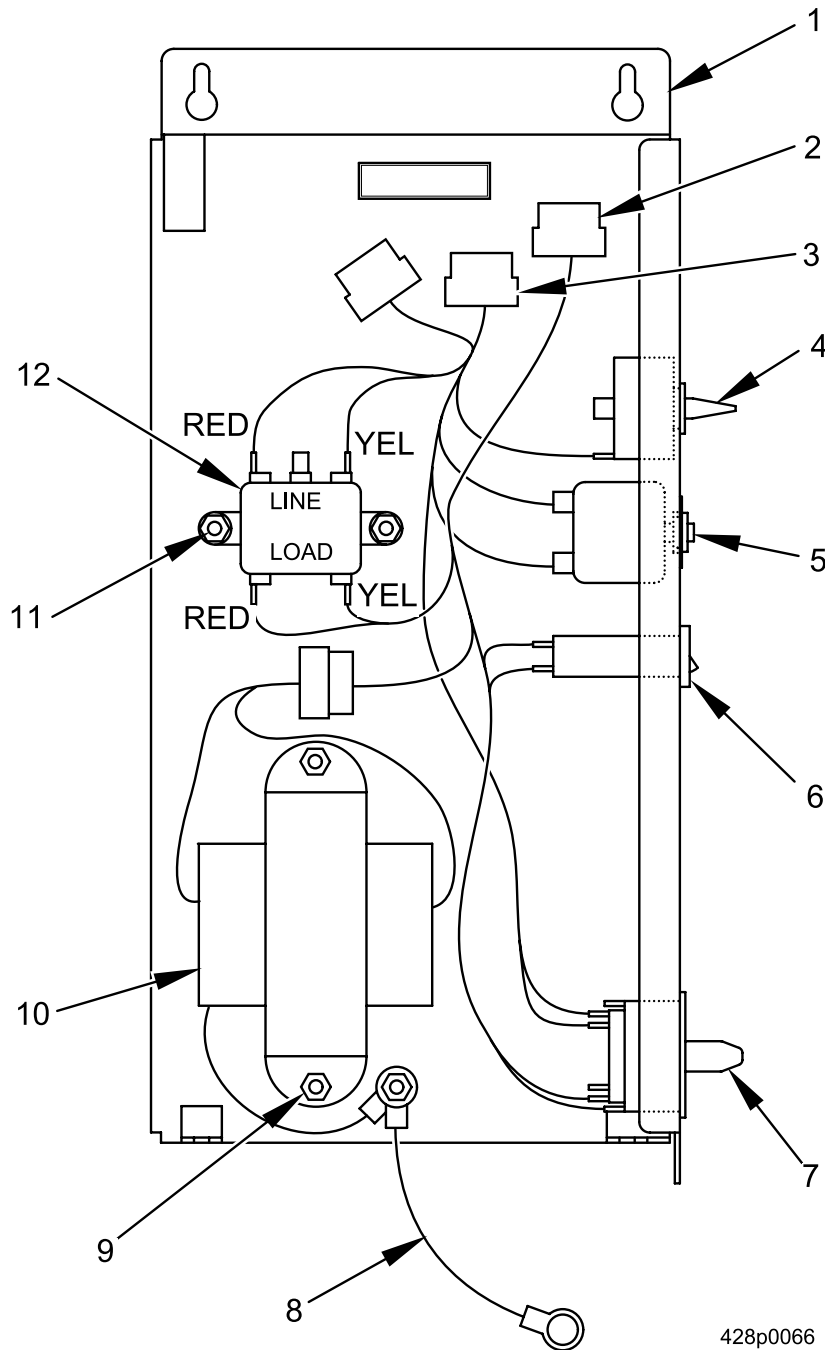


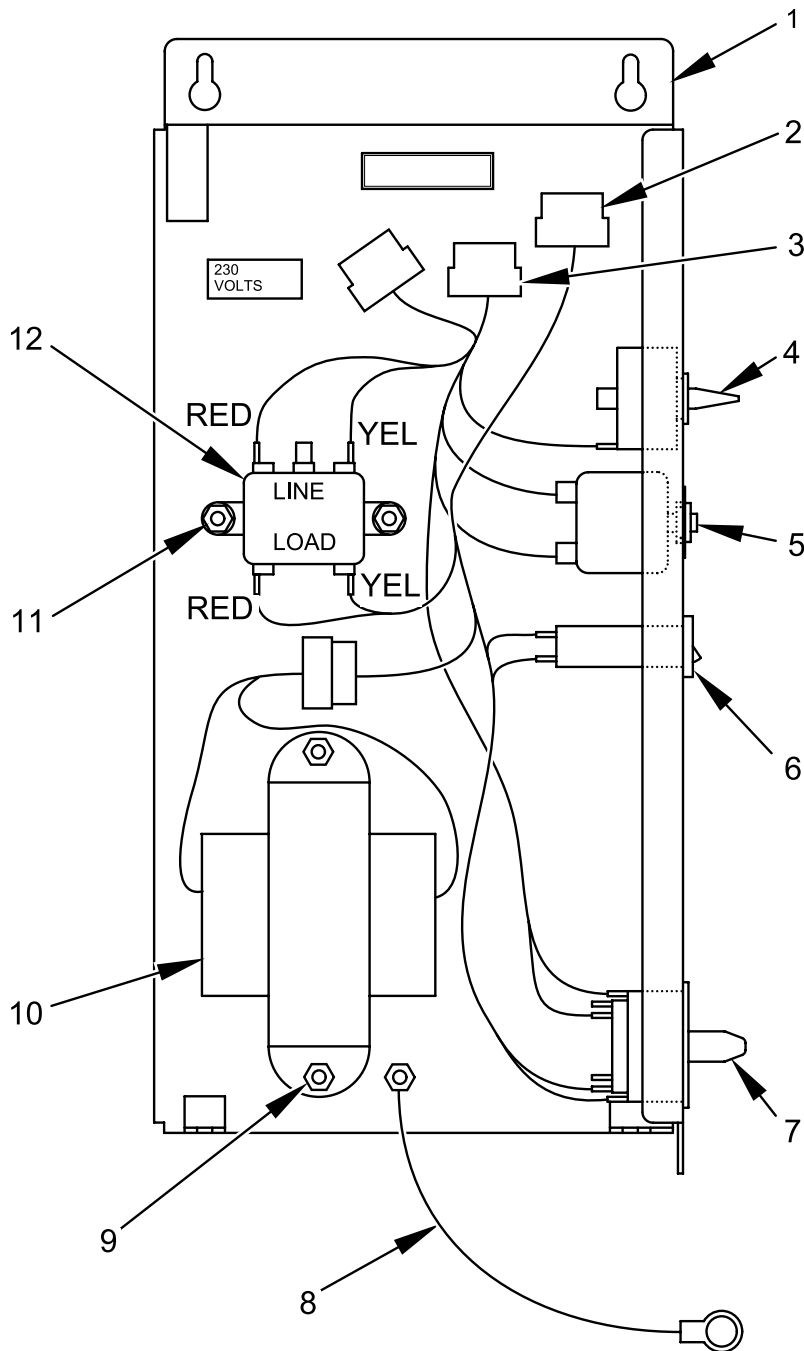
Figure 39. Power Panel Assembly - Domestic

FoodCenter Parts Manual

TABLE 39. POWER PANEL ASSEMBLY - DOMESTIC

INDEX	PART NUMBER	DESCRIPTION	QTY.
-	4281042	POWER PANEL ASSEMBLY - DOMESTIC	-
1	4281041	PANEL ASSEMBLY - CONTROL - POWER	1
2	4319003	HARNESS - POWER PANEL TRANSFORMER - DOMESTIC	1
3	4319001	HARNESS - POWER PANEL	1
4	9984629	SWITCH - TOGGLE - DPST - 20 AMP	1
5	9989673	CIRCUIT BREAKER - 20 AMP	1
6	9989336	CIRCUIT BREAKER - 3 AMP	1
7	1211141	SWITCH	1
8	9984165	JUMPER - GROUND WIRE	1
9	9900081	NUT #8 - 32 KEPS - ZINC PLATE	6
10	9989042	TRANSFORMER - 115V/230V PRIMARY - 24V SECONDARY	1
11	9900019	SREW #8 - 32 X 3/8 RHS	3
12	9989100	INTERFERENCE FILTER	1

FoodCenter Parts Manual



428p0067

Figure 40. Power Panel Assembly - UK

FoodCenter Parts Manual

TABLE 40. POWER PANEL ASSEMBLY - UK

INDEX	PART NUMBER	DESCRIPTION	QTY.
-	4281050	POWER PANEL ASSEMBLY - UK	-
1	4281041	PANEL ASSEMBLY - CONTROL - POWER	1
2	4319013	HARNESS - POWER PANEL TRANSFORMER - 230V	1
3	4319001	HARNESS - POWER PANEL	1
4	9984629	SWITCH - TOGGLE - DPST - 20 AMP	1
5	9989673	CIRCUIT BREAKER - 20 AMP	1
6	9989336	CIRCUIT BREAKER - 3 AMP	1
7	1211141	SWITCH	1
8	9984165	JUMPER - GROUND WIRE	1
9	9900081	NUT #8 - 32 KEPS - ZINC PLATE	6
10	9989042	TRANSFORMER - 115V/230V PRIMARY - 24V SECONDARY	1
11	9900019	SREW #8 - 32 X 3/8 RHS	3
12	9989100	INTERFERENCE FILTER	1

FoodCenter Parts Manual

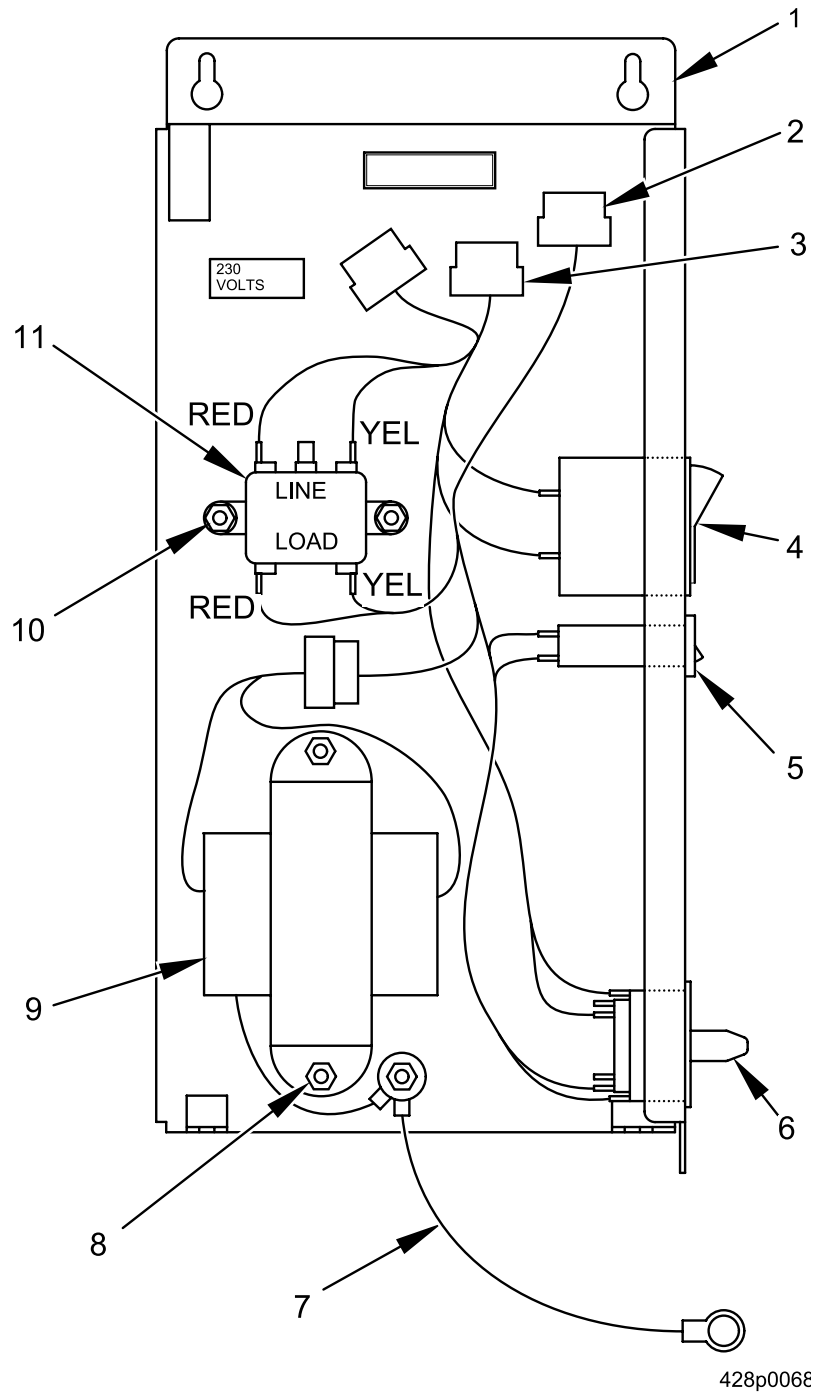


Figure 41. Power Panel Assembly - 230 V

FoodCenter Parts Manual

TABLE 41. POWER PANEL ASSEMBLY - 230 V

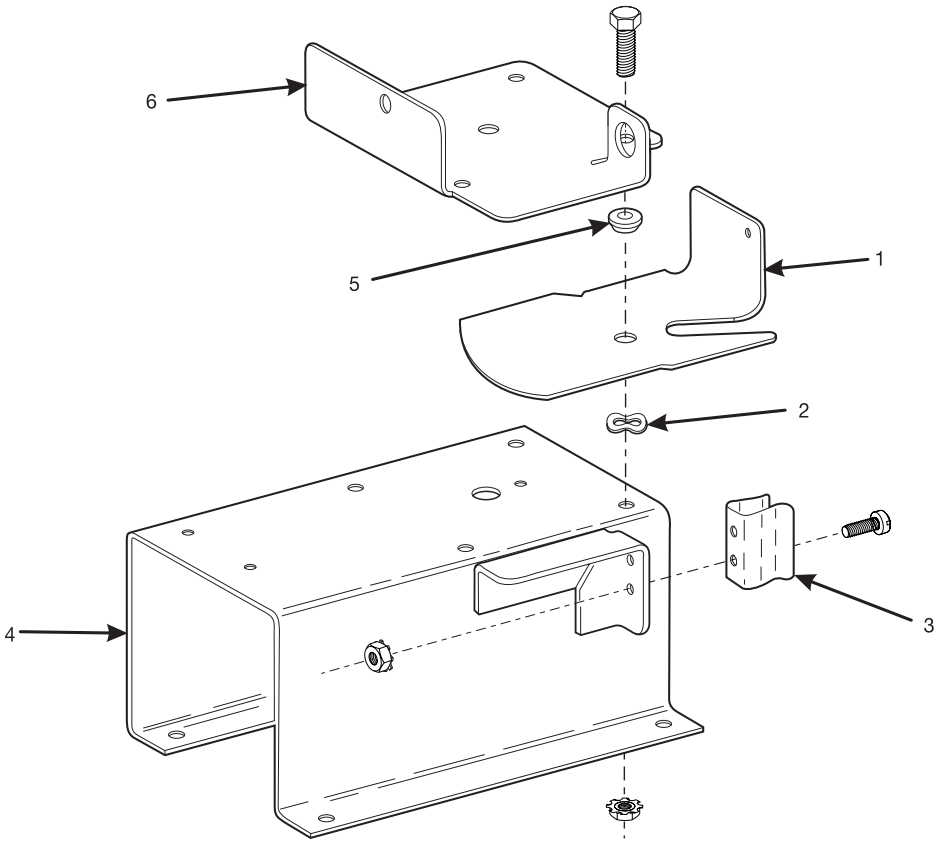
INDEX	PART NUMBER	DESCRIPTION	QTY.
-	4281055	POWER PANEL ASSEMBLY - 230V	-
1	4281054	PANEL ASSEMBLY - CONTROL - POWER - 230V	1
2	4319013	HARNESS - POWER PANEL TRANSFORMER - 230V	1
3	4319001	HARNESS - POWER PANEL	1
4	9984627	CIRCUIT BREAKER/SWITCH - 3 AMP	1
5	9989336	CIRCUIT BREAKER - 20 AMP	1
6	1211141	SWITCH	1
7	9984165	JUMPER - GROUND WIRE	1
8	9900081	NUT #8 - 32 KEPS - ZINC PLATE	6
9	9989042	TRANSFORMER - 115V/230V PRIMARY - 24V SECONDARY	1
10	9900019	SREW #8 - 32 X 3/8 RHS	3
11	9989100	INTERFERENCE FILTER	1

FoodCenter Parts Manual

TABLE 42. DRIVE ASSEMBLY - TRAY DOOR

INDEX	PART NUMBER	DESCRIPTION	QTY.
-	4287100	DRIVE ASSEMBLY - MOTOR - TRAY	-
1	4247101	MOTOR - TRAY	1
2	6104215	ROLL PIN	2
3	4247104	SUPPORT - DRIVE MOTOR - TRAY	1
4	9900437	RETAINING RING - REINFORCED "E" TYPE .375	1
5	4247106	CAM - SWITCH - MOTOR - TRAY	1
6	9900164	KEPS NUT - NO. 10 - 32 W/LOCKWASHER	5
7	5220110	SCREW - NO. 4 - 40 X 1 - 5/8 RHS	2
8	5201091	SWITCH	2
9	4257101	SPACER - SWITCH	1
10	2304083	INSULATOR - SWITCH	1
11	4255055	HARNESS - TRAY MOTOR	1
12	1217159	KEPS NUT - NO. 4 - 40 WITH EXTERNAL LOCKWASHER	2
13	4247105	SUPPORT - SWITCH - DRIVE MOTOR	1
14	4247107	DRIVE ARM ASSEMBLY - MOTOR TRAY	1
15	4247103	SCREW - NO. 10 - 32 X 2.00 RHS	4

FoodCenter Parts Manual



428p0008

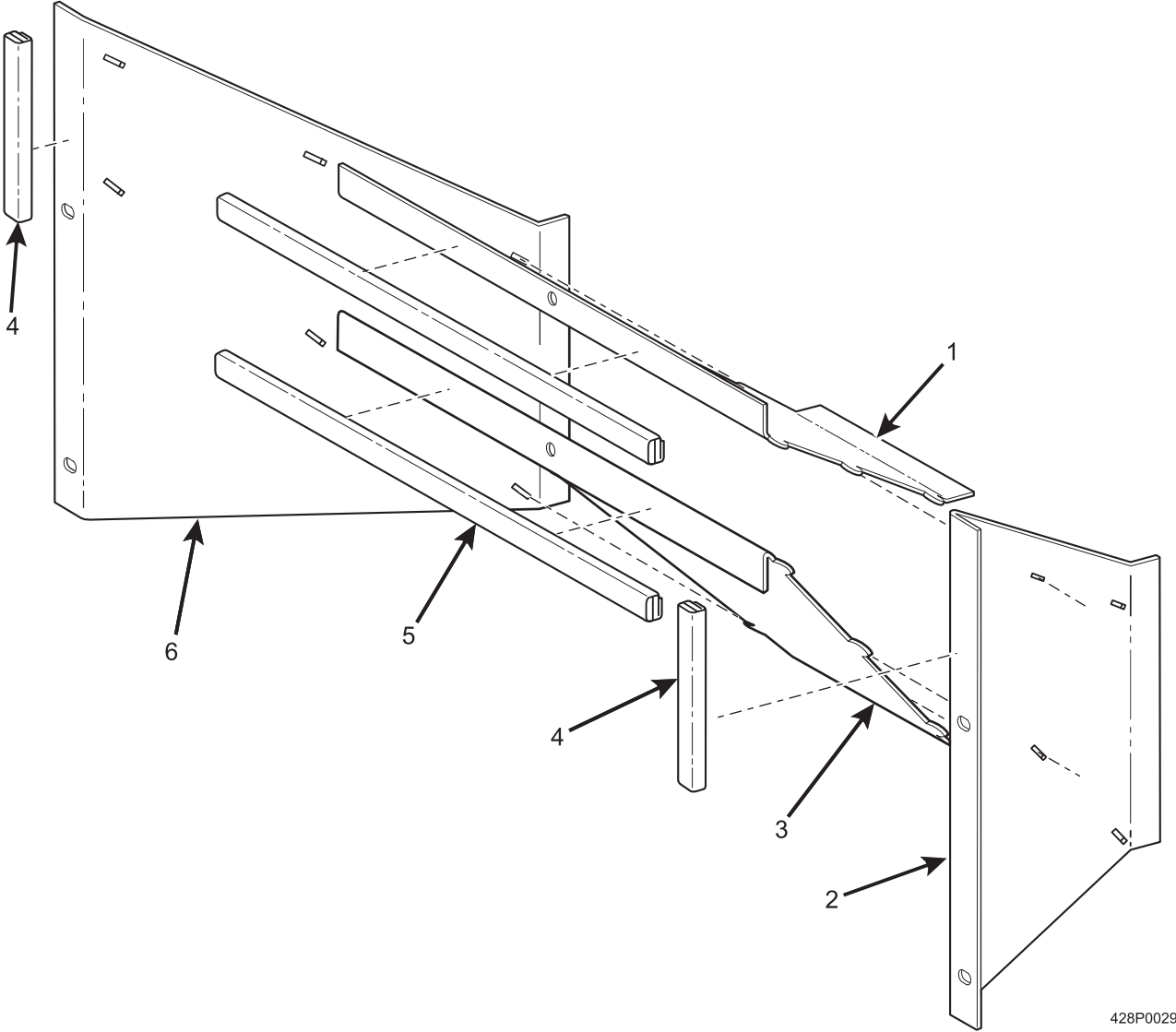
Figure 43. Door Check Assembly - Tray Lock

FoodCenter Parts Manual

TABLE 43. DOOR CHECK ASSEMBLY - TRAY LOCK

INDEX	PART NUMBER	DESCRIPTION	QTY.
	4281030	DOOR CHECK ASSEMBLY - TRAY LOCK	
1	4241048	BLADE - TRAY LOCK	1
2	1122143	SPRING - WASHER - .656 X .390 X .022	1
3	4241234	SPRING CLIP - STOP - ROD - DOOR CHECK	1
4	4281029	BRACKET ASSEMBLY - LOWER - TRAY LOCK	1
5	4241047	SPACER - TRAY LOCK	4
6	4241049	BRACKET - UPPER - TRAY LOCK	1

FoodCenter Parts Manual



428P0029

Figure 44. Blower Door Assembly

FoodCenter Parts Manual

TABLE 44. BLOWER DOOR ASSEMBLY

INDEX	PART NUMBER	DESCRIPTION	QTY.
-	4241098X	DUCT ASSEMBLY - BLOWER	-
1	4241222	PANEL - TOP DUCT	1
2	4241223	PANEL - SIDE - LEFT - DUCT	1
3	4241221	PANEL - BOTTOM DUCT	1
4	4241102	GASKET - TRANSITION DUCT - SHORT	2
5	4241099	GASKET - TRANSITION DUCT - LONG	2
6	4241224	PANEL - SIDE - RIGHT - DUCT	1

FoodCenter Parts Manual

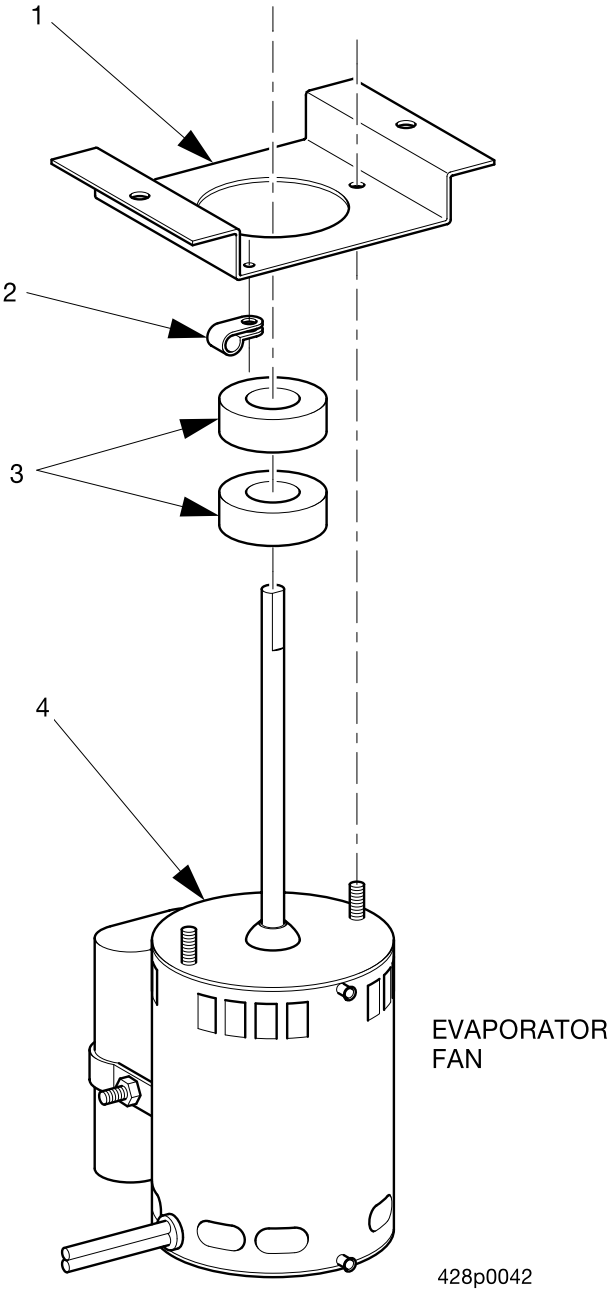


Figure 45. Blower Motor and Bracket Assembly

FoodCenter Parts Manual

TABLE 45. BLOWER MOTOR AND BRACKET ASSEMBLY

INDEX	PART NUMBER	DESCRIPTION	QTY.
-	4241172X	MOTOR & BRACKET ASSEMBLY - BLOWER	-
1	4241208	BRACKET - BLOWER MOTOR	1
2	1211161	CABLE CLAMP	1
3	4301263	SEAL - BLOWER MOTOR	2
4	4241283	MOTOR - BLOWER	1

FoodCenter Parts Manual

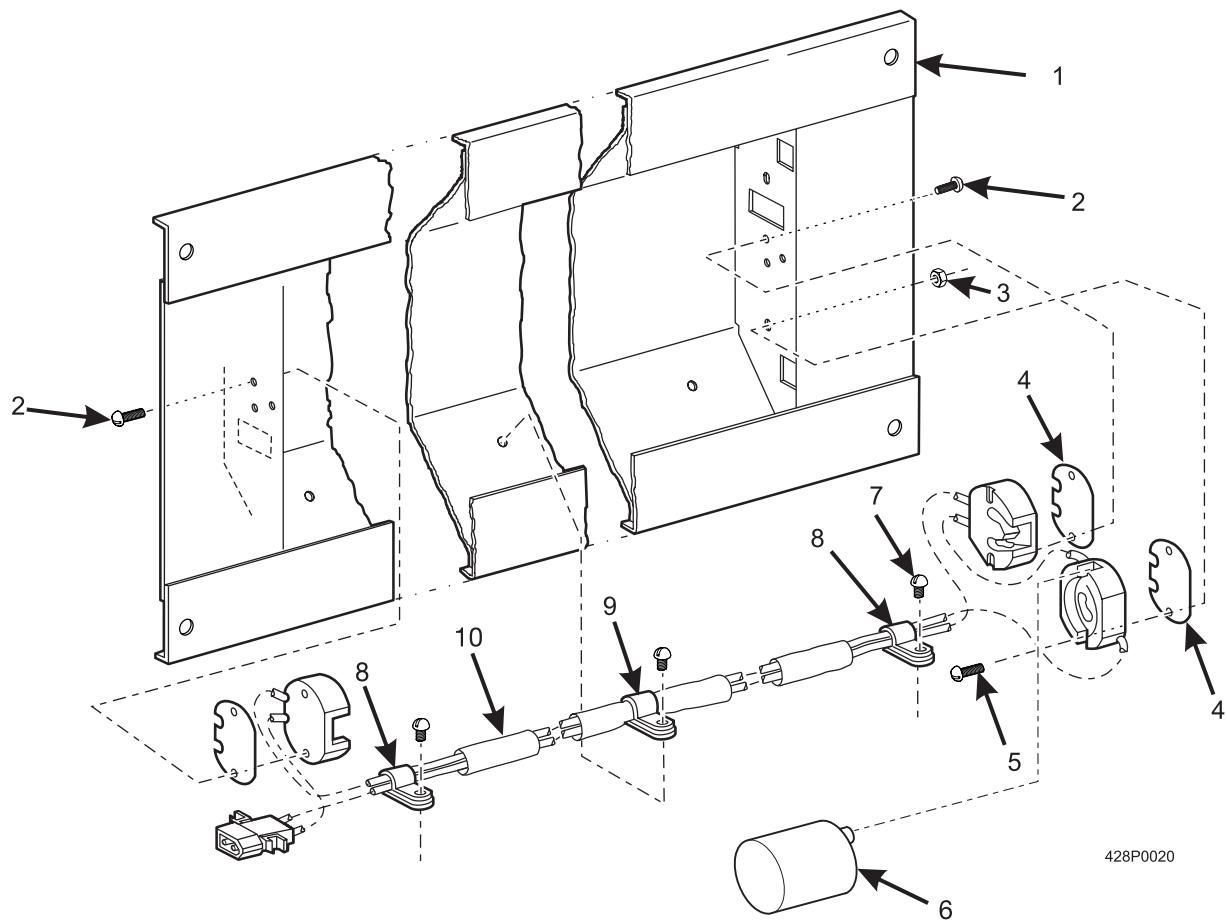


Figure 46. Center Light Assembly

FoodCenter Parts Manual

TABLE 46. CENTER LIGHT ASSEMBLY

INDEX	PART NUMBER	DESCRIPTION	QTY.
-	-	CENTER LIGHT ASSEMBLY	-
1	4241118	FIXTURE ASSEMBLY - LIGHT UPPER	1
2	1452076	SCREW NO. 4 - 36 X .437 RHS	4
3	1217159	NUT - NO. 4 - 40 - KEPS W/EXTERNAL LOCKWASHER	2
4	4242016	INSULATOR - LIGHT SOCKET	3
5	1217160	SCREW - NO. 4 - 40 X 5/8 RHS	2
6	4031150	FLUORESCENT LAMP STARTER - FS	1
7	9900174	SCREW - NO. 8 - 32 X 5/16 RHS	3
8	1211161	CABLE CLAMP	2
9	3102348	CABLE CLAMP	1
10	4251134	HARNESS - CENTER LIGHT	1

FoodCenter Parts Manual

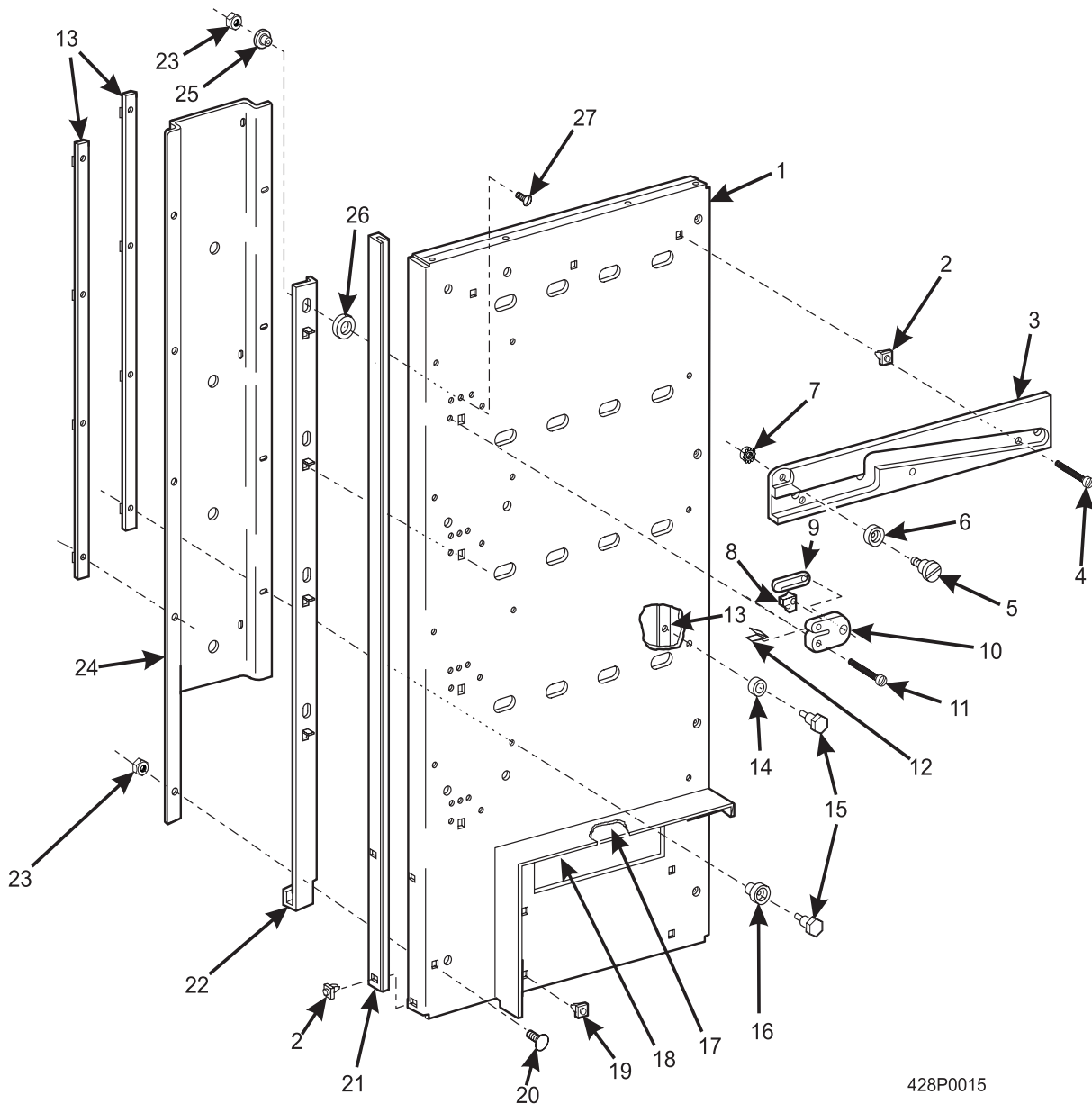


Figure 47. Tray Support Assemblies - Left

FoodCenter Parts Manual

TABLE 47. TRAY SUPPORT ASSEMBLIES - LEFT

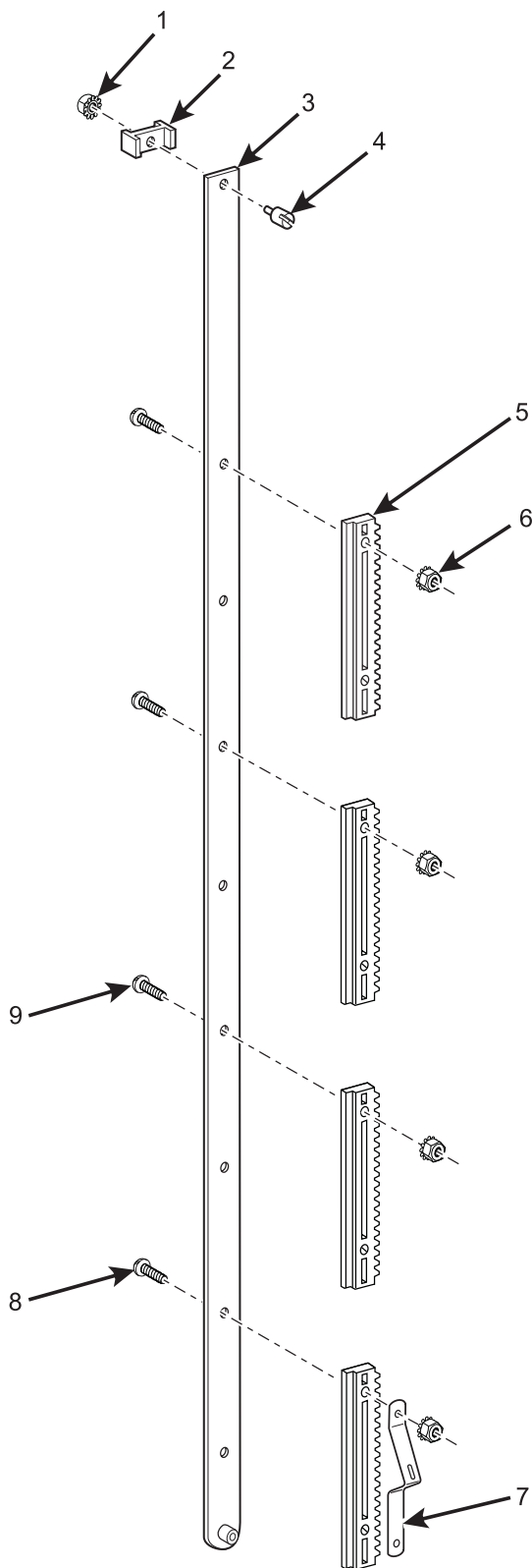
INDEX	PART NUMBER	DESCRIPTION	QTY.
-	4251016X	SUPPORT ASSEMBLY - TRAY - LEFT	-
1	4251018	SUPPORT - TRAY - LEFT SIDE	1
2	4241162	NUT - SPACER - NO. 8 - .062 W/STORAGE OPT.	5
		NUT - SPACER - NO. 8 - .062	2
3	4247201	GUIDE - STORAGE TRAY - LEFT W/STORAGE OPT.	1
4	4247206	SCREW - NO. 8 - 18 X .75 FHS S/T W/STORAGE OPT.	3
5	4247204	STUD - STORAGE TRAY W/STORAGE OPT.	1
6	4247205	ROLLER - STORAGE TRAY W/STORAGE OPT.	1
7	9900164	NUT - NO. 10 - 32 W/LOCKWASHER W/STORAGE OPT.	1
8	4241077	CAMLOCK - CABINET	4
9	4241078	LEVER - ARM - CAMLOCK - CABINET	4
10	4241076	RETAINER - CAMLOCK - CABINET	4
11	4241080	SCREW - NO. 8 - 32 X .88 FHS S/T	12
12	4241079	SPRING - LEAF - CAMLOCK - CABINET	4
13	4241265	BAR ASSEMBLY - ROLLER - SUPPORT	3
14	4241075	ROLLER - TRAY - LOWER	4
15	4241264	STUD - ROLLER - TRAY	12
16	4241074	ROLLER - TRAY - UPPER LEFT	8
17	1211115	RIVET - POP - .156 DIA X .254	6
18	4241071	SUPPORT	1
19	4241163	NUT - SPACER - NO. 8 - .130	4
20	1106656	CARRIAGE BOLT - NO. 8 - 32 X 5/16	1
21	4241167	BUMPER - TRAY SUPPORT	1
22	4241081	BAR - CAMLOCK	1
23	9900081	KEPS NUT - NO. 8 - 32	5
24	4241072	BRACKET - TRAY SUPPORT - LEFT	1
25	2307253	SPACER - CAMLOCK - BAR	4
26	9900171	WASHER - BRASS - 9/16 X .315 X .040	4
27	9900020	SCREW - NO. 8 - 32 X 1/2 RHS	4

FoodCenter Parts Manual

TABLE 48. TRAY SUPPORT ASSEMBLY - RIGHT

INDEX	PART NUMBER	DESCRIPTION	QTY.
-	4251017X	SUPPORT ASSEMBLY - TRAY - RIGHT	-
1	4251019	SUPPORT - TRAY - RIGHT SIDE	1
2	4241085	BRACKET - TRAY SUPPORT - RIGHT	1
3	4241265	BAR ASSEMBLY - ROLLER - SUPPORT	3
4	9900081	KEPS NUT - NO. 8 - 32	1
5	4241162	NUT - SPACER - NO. 8 - .062	2
		NUT - SPACER - NO. 8 - .062 W/STORAGE OPT.	5
6	4241167	BUMPER - TRAY SUPPORT	1
7	1106656	CARRIAGE BOLT - NO. 8 - 32 X 5/16	1
8	1211115	RIVET - POP - .156 DIA X .254	6
9	4241084	SUPPORT	1
10	4241086	ROLLER - TRAY - UPPER LEFT	8
11	4241264	STUD - ROLLER - TRAY	12
12	4241075	ROLLER - TRAY - LOWER	4
13	4247205	ROLLER - STORAGE TRAY W/STORAGE OPT.	1
14	4247204	STUD - STORAGE TRAY W/STORAGE OPT.	1
15	4247206	SCREW - NO. 8 - 18 X .75 FHS S/T W/STORAGE OPT.	3
16	4247202	GUIDE - STORAGE TRAY - RIGHT W/STORAGE OPT.	1
17	9900164	NUT - NO. 10 - 32 W/LOCKWASHER W/STORAGE OPT.	1

FoodCenter Parts Manual



428P0030

Figure 49. Bar and Rack Assembly - Drive Tray

FoodCenter Parts Manual

TABLE 49. BAR AND RACK ASSEMBLY - DRIVE TRAY

INDEX	PART NUMBER	DESCRIPTION	QTY.
-	4241056X	BAR RACK ASSEMBLY - DRIVE TRAY	-
1	9900207	NUT - NO. 10 - 32 SELF - LOCKING	1
2	4241057	GUIDE - RETAINER BAR	1
3	4241060	BAR ASSEMBLY - RETAINER - TRAY RACK	1
4	4241058	STUD - RETAINER BAR	1
5	4241059	RACK - DRIVE TRAY	4
6	9900081	KEPS NUT - NO. 8 - 32 W/LOCKWASHER	8
7	4241277	RETAINER SPRING - RACK BAR	1
8	9900115	SCREW NO. 8 - 32 X 3/4 RHS	2
9	9900021	SCREW NO. 8 - 32 X 5/8 RHS	6

FoodCenter Parts Manual

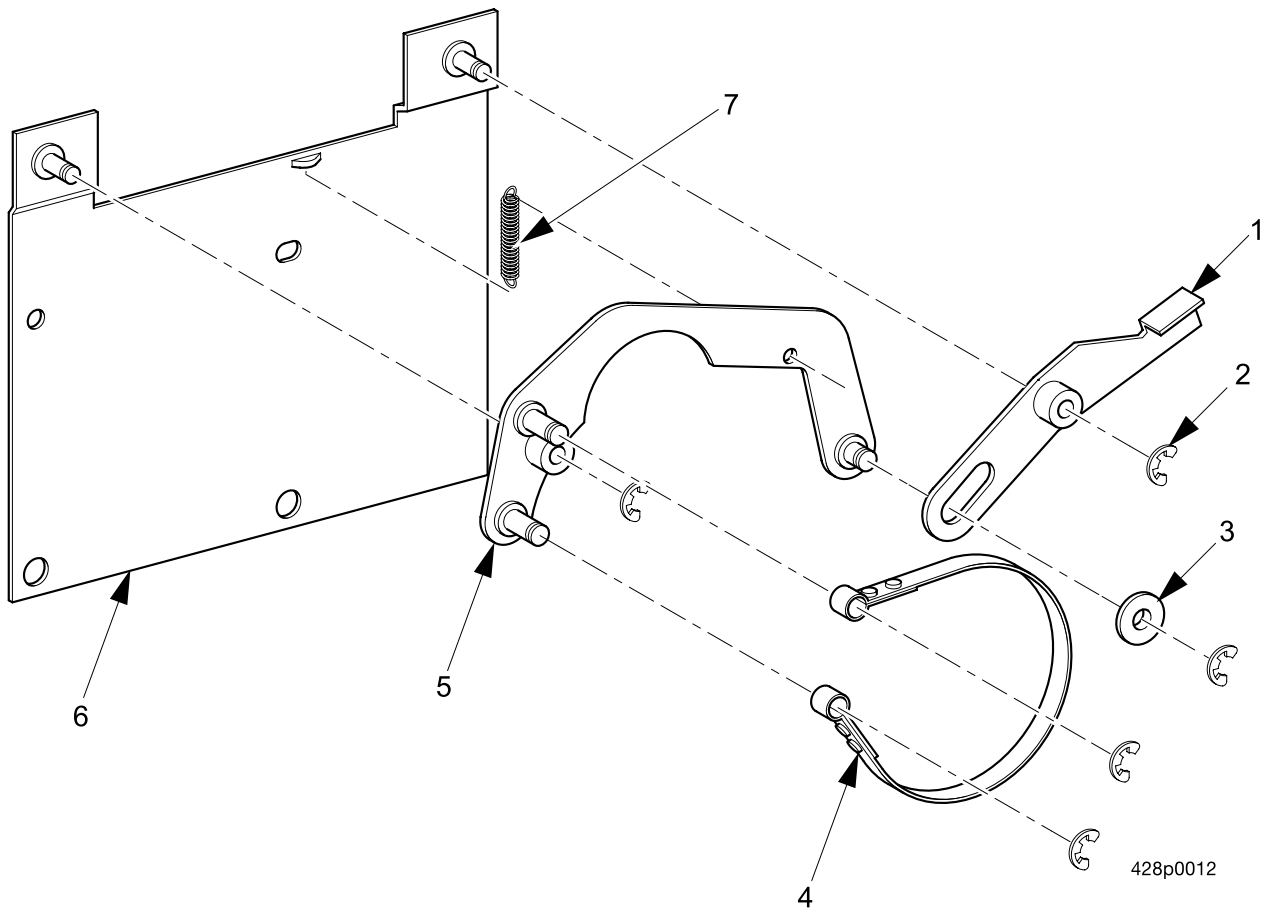


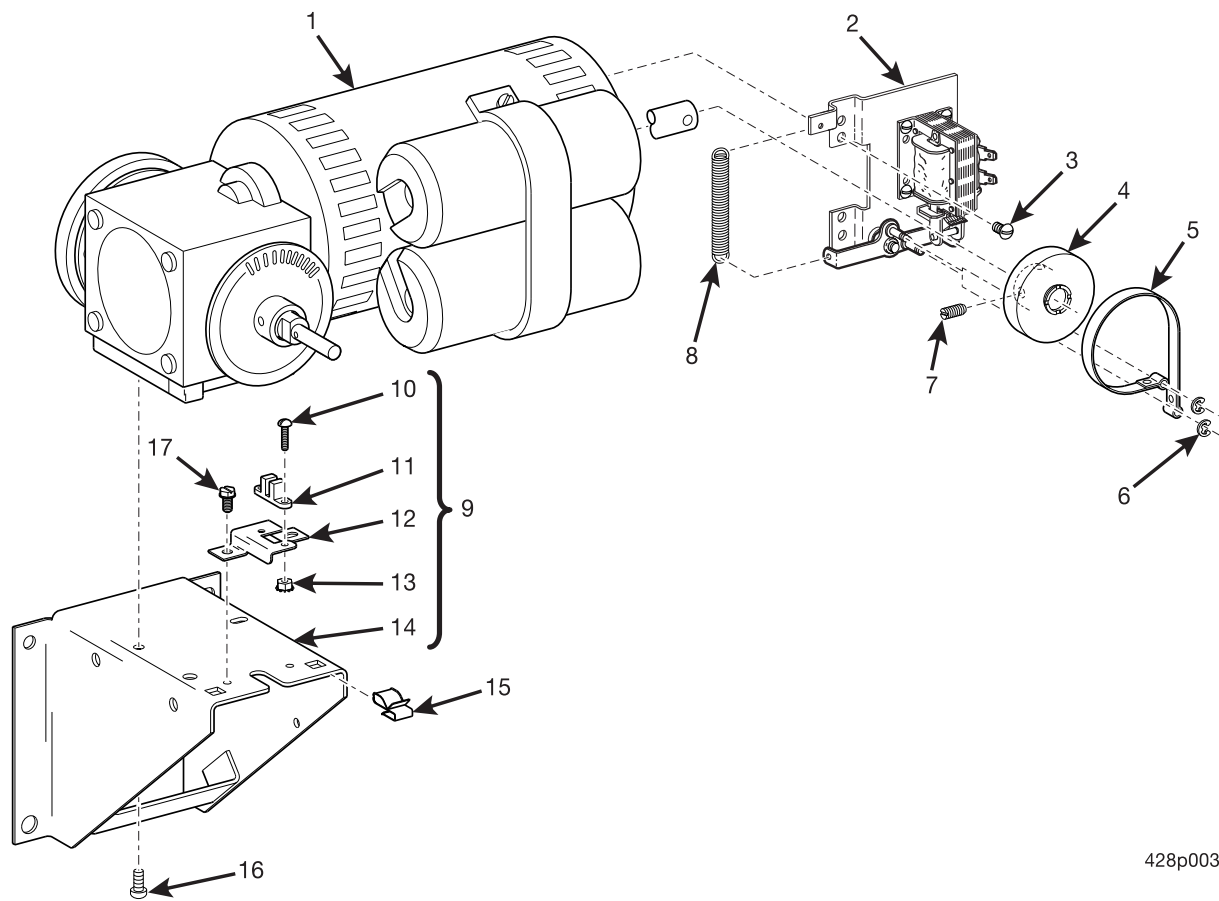
Figure 50. Brake Arm, Plate and Lever Assembly

FoodCenter Parts Manual

TABLE 50. BRAKE ARM, PLATE AND LEVER ASSEMBLY

INDEX	PART NUMBER	DESCRIPTION	QTY.
-	4246511	BRAKE ARM, PLATE AND LEVER ASSEMBLY	REF
1	4246522	LEVER ASSEMBLY RELEASE BRAKE	1
2	9900425	RETAINING RING, REINFORCED "E" TYPE, .250	5
3	4246512	ROLLER, BRAKE ARM	1
4	4246518	BAND ASSEMBLY, BRAKE, LONG	1
5	4246517	ARM ASSEMBLY, BRAKE	1
6	4246514	PLATE ASSEMBLY, MOUNTING BRAKE ARM	1
7	5220449	SPRING - LEVER RESET	1

FoodCenter Parts Manual



428p0035

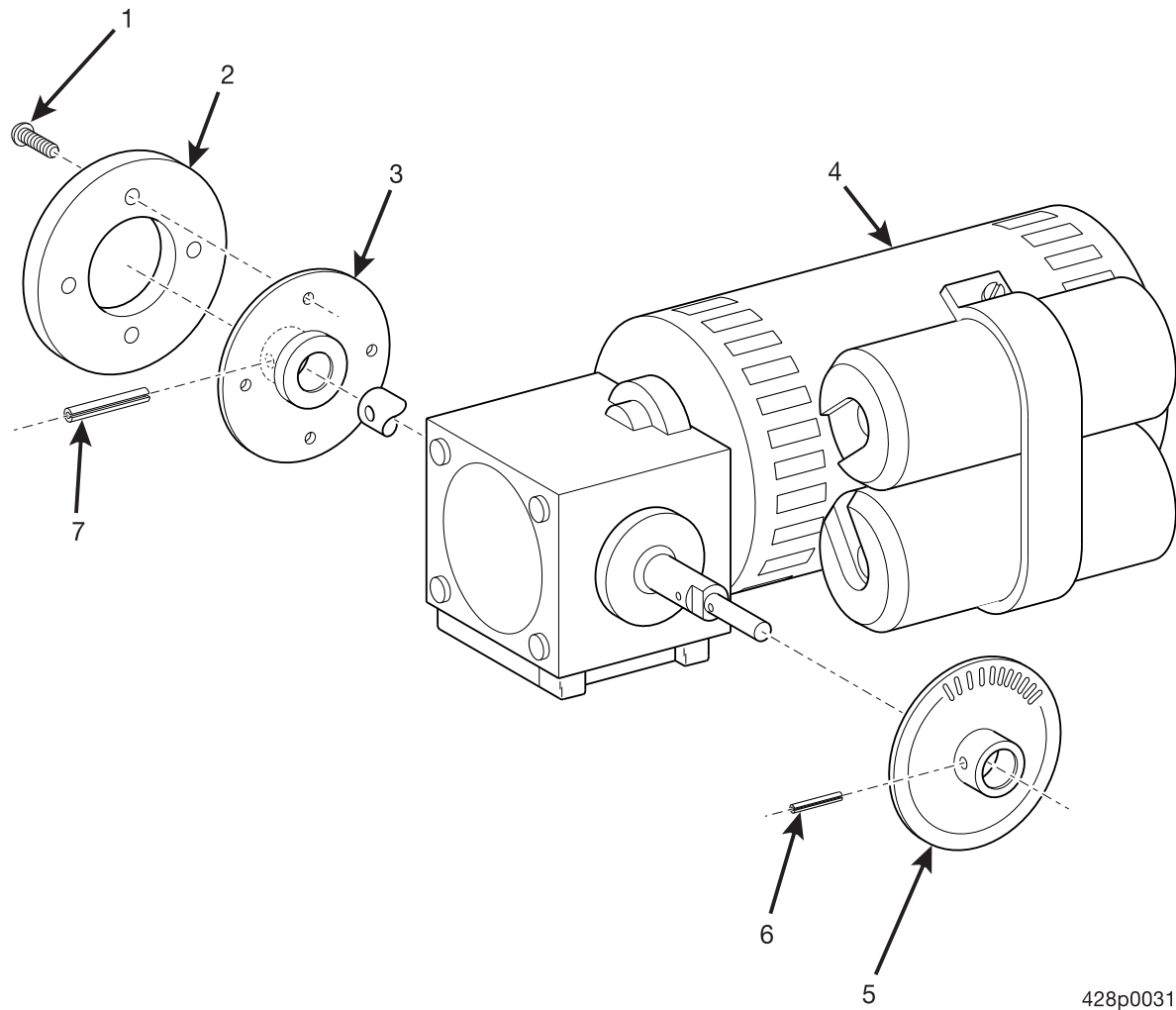
Figure 51. Drive Motor Assembly - Final

FoodCenter Parts Manual

TABLE 51. DRIVE MOTOR ASSEMBLY - FINAL

INDEX	PART NUMBER	DESCRIPTION	QTY.
-	4281036	DRIVE MOTOR ASSEMBLY, FINAL	REF
1	4281034	MOTOR ASSEMBLY, DRIVE (SEE FIGURE 52)	1
2	4246428	PLATE - SOLENOID AND ARM ASSEMBLY - BRAKE (SEE FIGURE 53)	1
3	9900174	SCREW #8 - 32 X 5/16 RHS T/C	2
4	4246439	WHEEL ASSEMBLY BRAKE	1
5	4246437	BAND ASSEMBLY BRAKE, SHORT	1
6	9900412	RETAINING RING REINF E TYP.125	2
7	4246449	SET SCREW 10 32X.25 KNURLED CUP POINT	2
8	2224039	SPRING	1
9	4281035	MOTOR BRACKET AND PC BOARD ASSEMBLY	1
10	4047054	SCREW #8 18X1/2 RHS T/C	2
11	4319012	PC BOARD ASSEMBLY, MOTION SENSOR	1
12	4241163	NUT, SPACER, NO. 8, .130	2
13	4246415	BRACE AND MOTOR BRACKET ASSEMBLY	1
14	9900020	SCREW, NO. 8 - 32 X 1/2 RHS	2
15	3102491	WIRE CLAMP, 1/2	2
16	4256018	HARNESS, ELEVATOR MOTOR	1
17	9900081	KEPS NUT, NO. 8 - 32 W/LW	2
18	9900158	SCREW - NO. 10 - 24 X 3/8 RHS	4

FoodCenter Parts Manual



428p0031

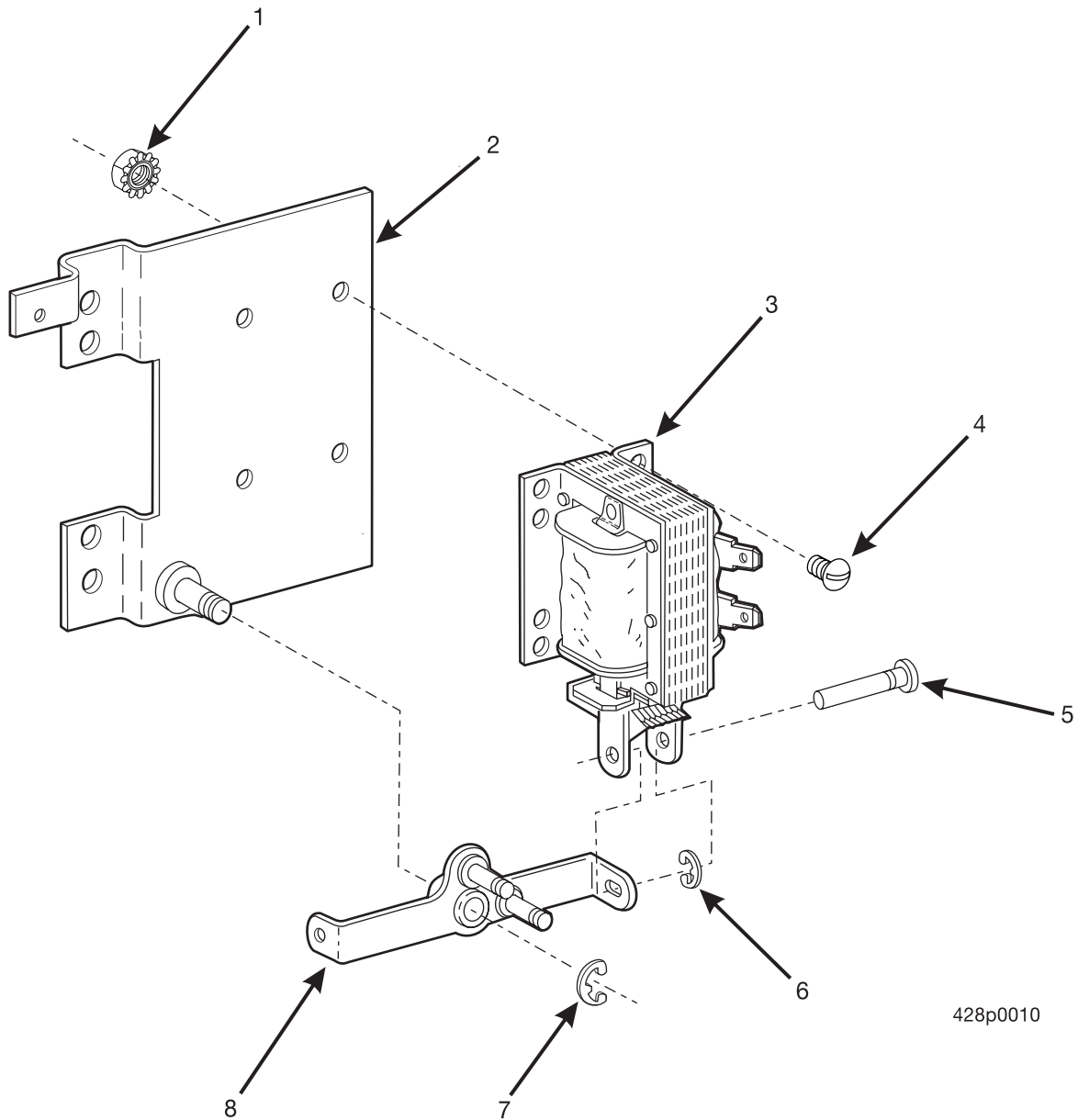
Figure 52. Drive Motor Assembly

FoodCenter Parts Manual

TABLE 52. DRIVE MOTOR ASSEMBLY

INDEX	PART NUMBER	DESCRIPTION	QTY.
-	4281034	MOTOR ASSEMBLY, DRIVE	REF
1	9900204	SCREW, NO. 8 - 32 X 5/8 RHS S/T	4
2	4246404	DRUM, BRAKE	1
3	4246408	HUB ASSEMBLY, BRAKE	1
4	4246406	MOTOR AND HARNESS ASSEMBLY, DRIVE	1
5	4281022	WHEEL ASSEMBLY, OPTICAL SWITCH	1
6	1306519	ROLL PIN, 3/32 DIA. X 3/4	1
7	4246405	ROLL PIN, .187 DIA. X 1.25	1

FoodCenter Parts Manual



428p0010

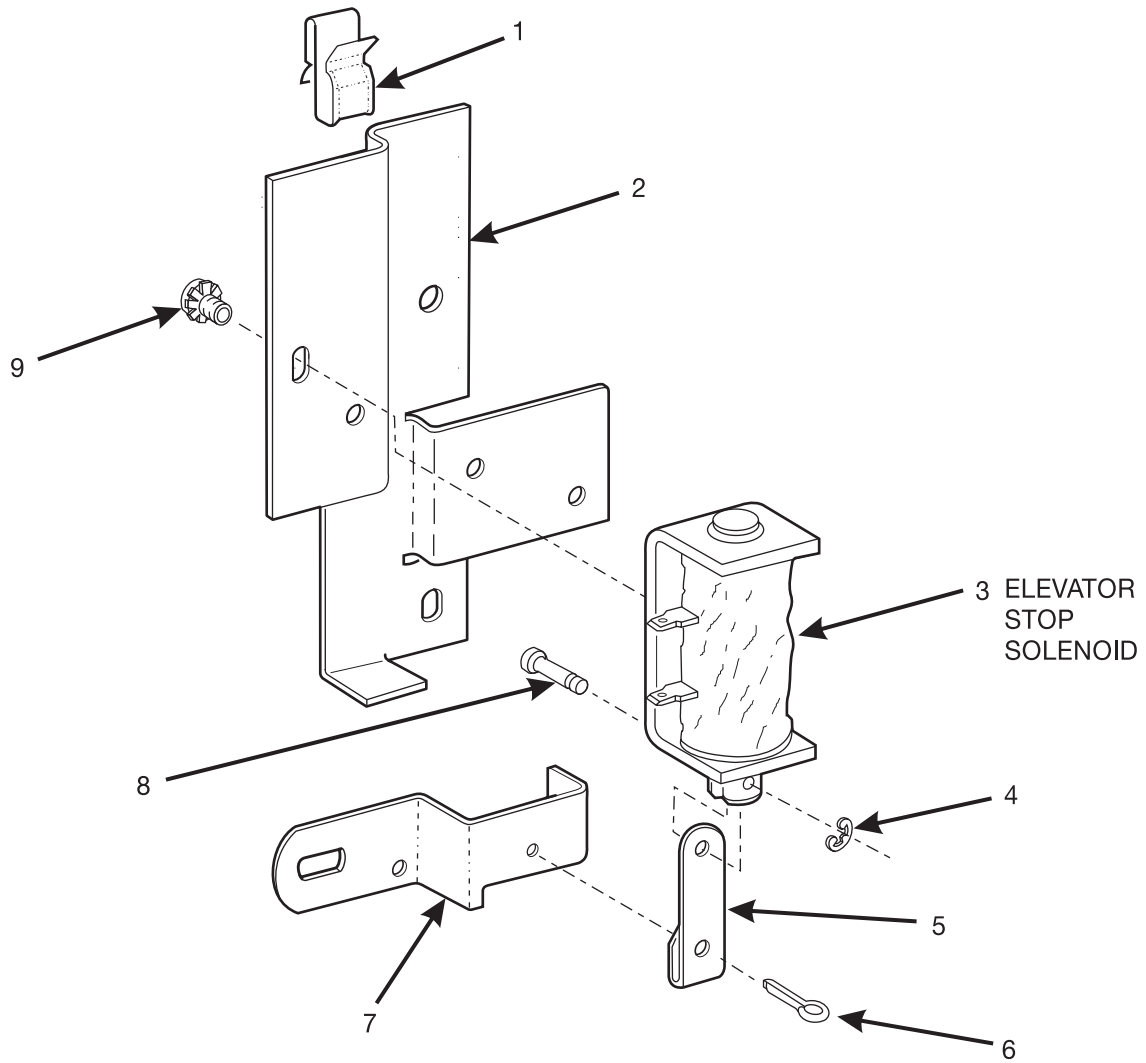
Figure 53. Brake Solenoid and Arm Plate Assembly

FoodCenter Parts Manual

TABLE 53. BRAKE SOLENOID AND ARM PLATE ASSEMBLY

INDEX	PART NUMBER	DESCRIPTION	QTY.
-	4246428	PLATE, SOLENOID, AND ARM ASSEMBLY, BRAKE	REF
1	9900078	KEPS NUT, NO. 6 - 32 W/LW	4
2	4246430	PLATE ASSEMBLY, BRAKE	1
3	4246448	SOLENOID, 155 VAC	1
4	9900003	SCREW, NO. 6 - 32 X 1/4 RHS	4
5	4246429	PIN, SOLENOID	1
6	9900418	RETAINING RING, REINFORCED "E" TYPE, .187	1
7	9900412	RETAINING RING, REINFORCED "E" TYPE, .125	1
8	4246433	ARM ASSEMBLY, BRAKE	1

FoodCenter Parts Manual



428P0011

Figure 54. Bracket, Arm, and Solenoid Assembly - Elevator Stop

FoodCenter Parts Manual

TABLE 54. BRACKET, ARM, AND SOLENOID ASSEMBLY - ELEVATOR STOP

INDEX	PART NUMBER	DESCRIPTION	QTY.
-	4256020	BRACKET, ARM AND SOLENOID ASSEMBLY, ELEVATOR STOP	1
1	1212159	WIRE CLIP	1
2	4246524	BRACKET, SOLENOID, ELEVATOR STOP	1
3	4252029	SOLENOID, 24 VDC	1
4	9900409	RETAINING RING, REINFORCED "E" TYPE, .093	1
5	4076510	LINK, SOLENOID	1
6	2224578	COTTER PIN, 5/64 X 1/2"	1
7	4246525	ARM, SOLENOID, ELEVATOR STOP	1
8	4242241	PIN, LATCH MECHANISM	1
9	9900090	SCREW, NO. 6 - 32 X 3/16, RHS W/LW	2

FoodCenter Parts Manual

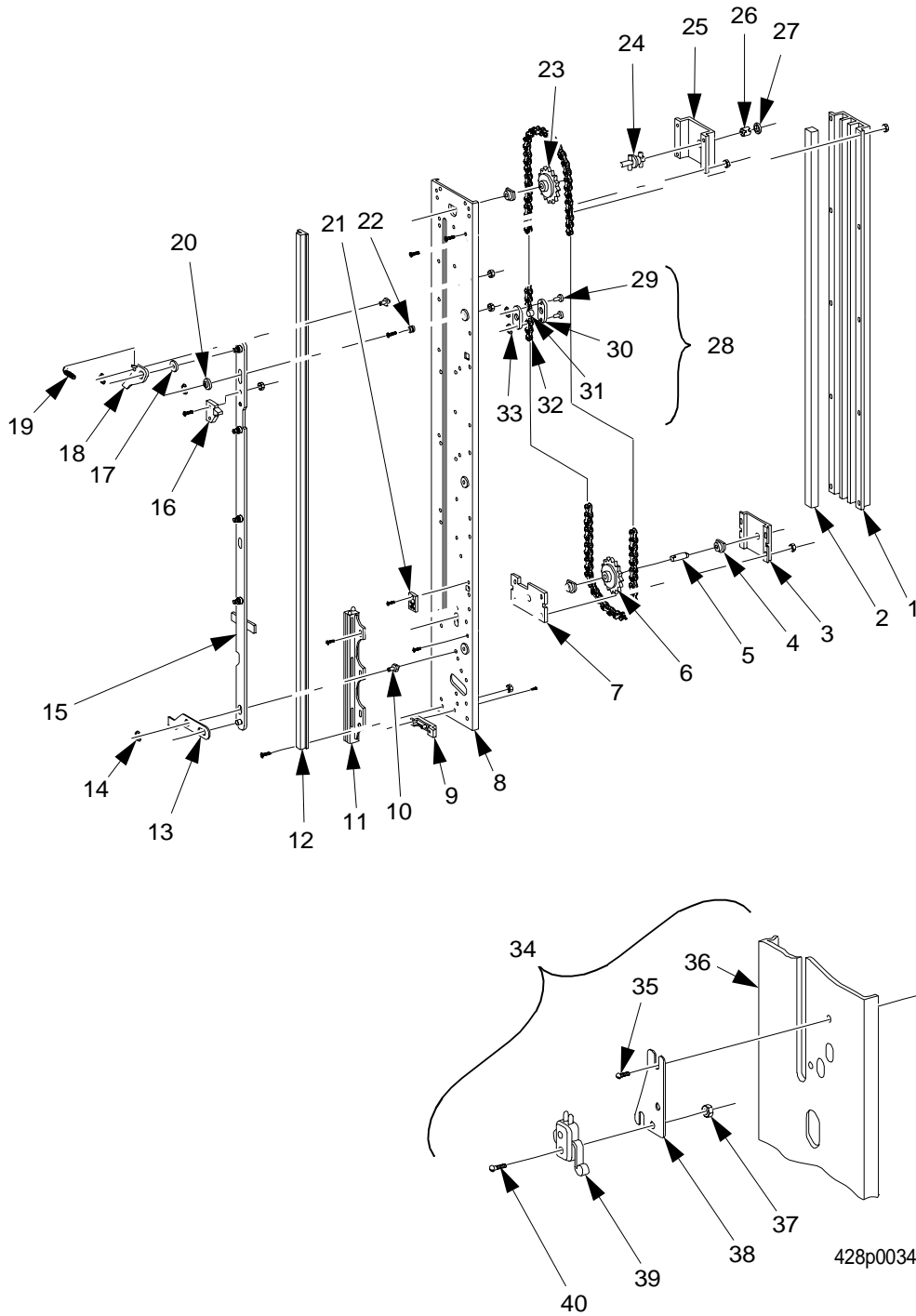


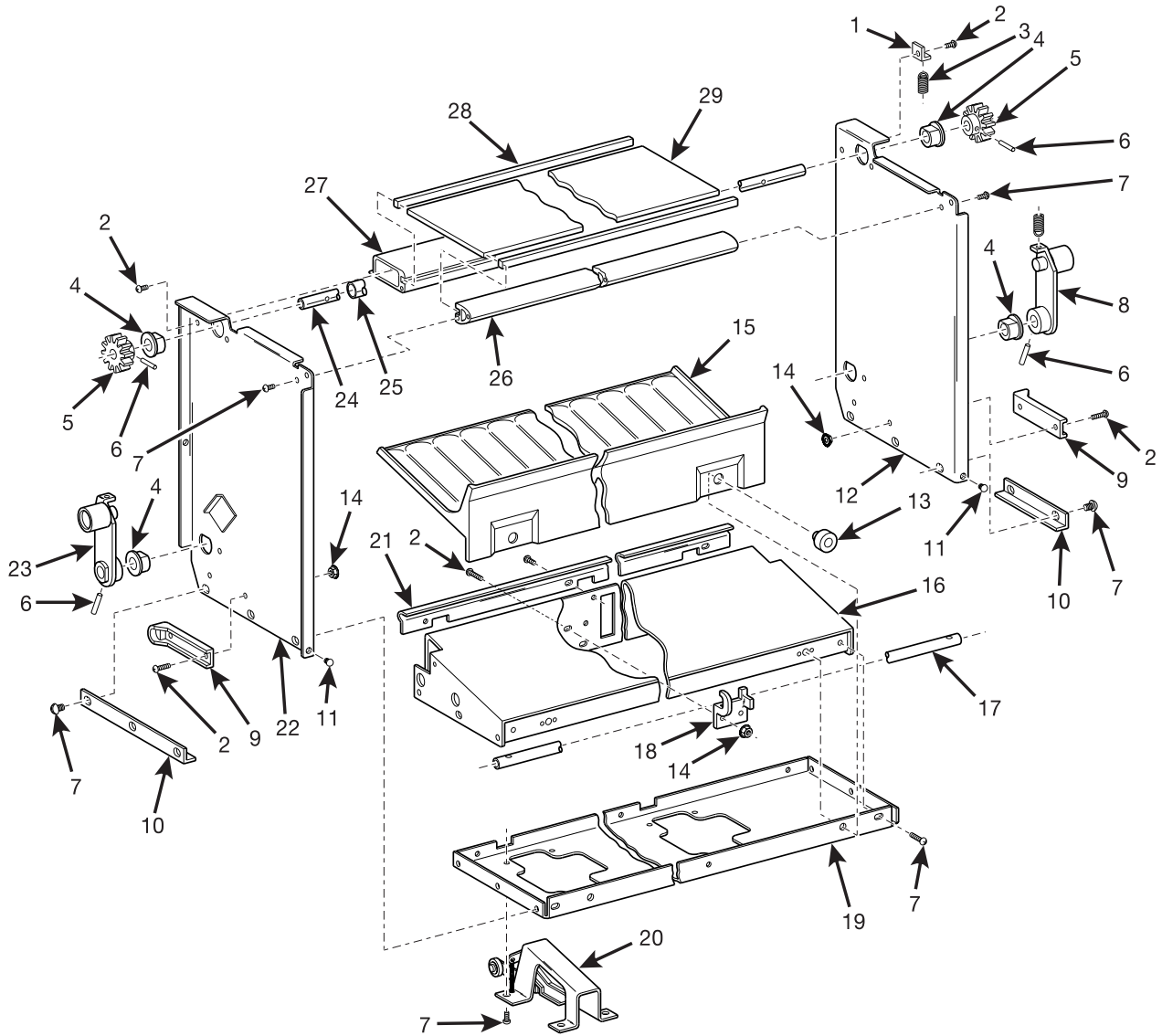
Figure 55. Elevator Channel Assembly - Right

FoodCenter Parts Manual

TABLE 55. ELEVATOR CHANNEL ASSEMBLY - RIGHT

INDEX	PART NUMBER	DESCRIPTION	QTY.
-	4256000	CHANNEL ASSEMBLY - ELEVATOR - RIGHT	REF
1	4246115	COVER - CHAIN	1
2	4241097	INSULATION - CHAIN COVER	1
3	4246113	BRACKET - LOWER SPROCKET - ELEVATOR	1
4	4246110	BUSHING - SHOULDER	3
5	4246112	SHAFT - LOWER SPROCKET - ELEVATOR	1
6	4246170	SPROCKET - LOWER - ELEVATOR	1
7	4246114	PLATE - LOWER SPROCKET - ELEVATOR	1
8	4256001	CHANNEL AND ANGLE ASSEMBLY	1
9	4246117	BLOCK - MOUNTING - SIDE PANEL	1
10	4246104	STUD - PIVOT - STOP ARM	5
11	4246102	RACK - ELEVATOR	4
12	4246103	TRACK - ELEVATOR - RIGHT	1
13	4246142	BAR AND BUSHING ASSEMBLY - RESET - ELEVATOR STOP	1
14	9900437	RETAINING RING - REINFORCED "E" TYPE - .375	8
15	4256007	BAR AND STUDS ASSEMBLY - ELEVATOR STOP	1
16	4246108	STOP - BAR - ELEVATOR	1
17	4246107	TOOTH - STOP BAR	1
18	4246127	ARM AND BUSHING ASSEMBLY - ELEVATOR STOP	4
19	5220449	SPRING - DIME EJECTOR (ELEVATOR STOP ARM)	4
20	4246119	ROLLER - STOP BAR	3
21	4246171	SPROCKET - ELEVATOR DRIVE	1
22	4246176X	SHAFT ASSEMBLY DRIVE UPPER	1
23	4246134	BRACKET - DRIVE SPROCKET - ELEVATOR	1
24	4246168	CHAIN ASSEMBLY - ELEVATOR	1
25	4246140	PIN - MASTER LINK	2
26	4246139	LINK - MASTER CHAIN	2
27	4246169	CHAIN - ELEVATOR	1
28	9900412	RETAINING RING - REINFORCED "E" TYPE - .125	2
29	4246141	BUSHING - CHAIN	1
30	9900207	NUT - #10 - 32 - SELF LOCKING	8
31	4246118	BUSHING - STOP BAR	3
32	4256004	ELEVATOR HOME SWITCH ASSEMBLY	1
33	4256003	PLATE - SWITCH - ELEVATOR HOME	1
34	5201091	SWITCH	1

FoodCenter Parts Manual



428p0033

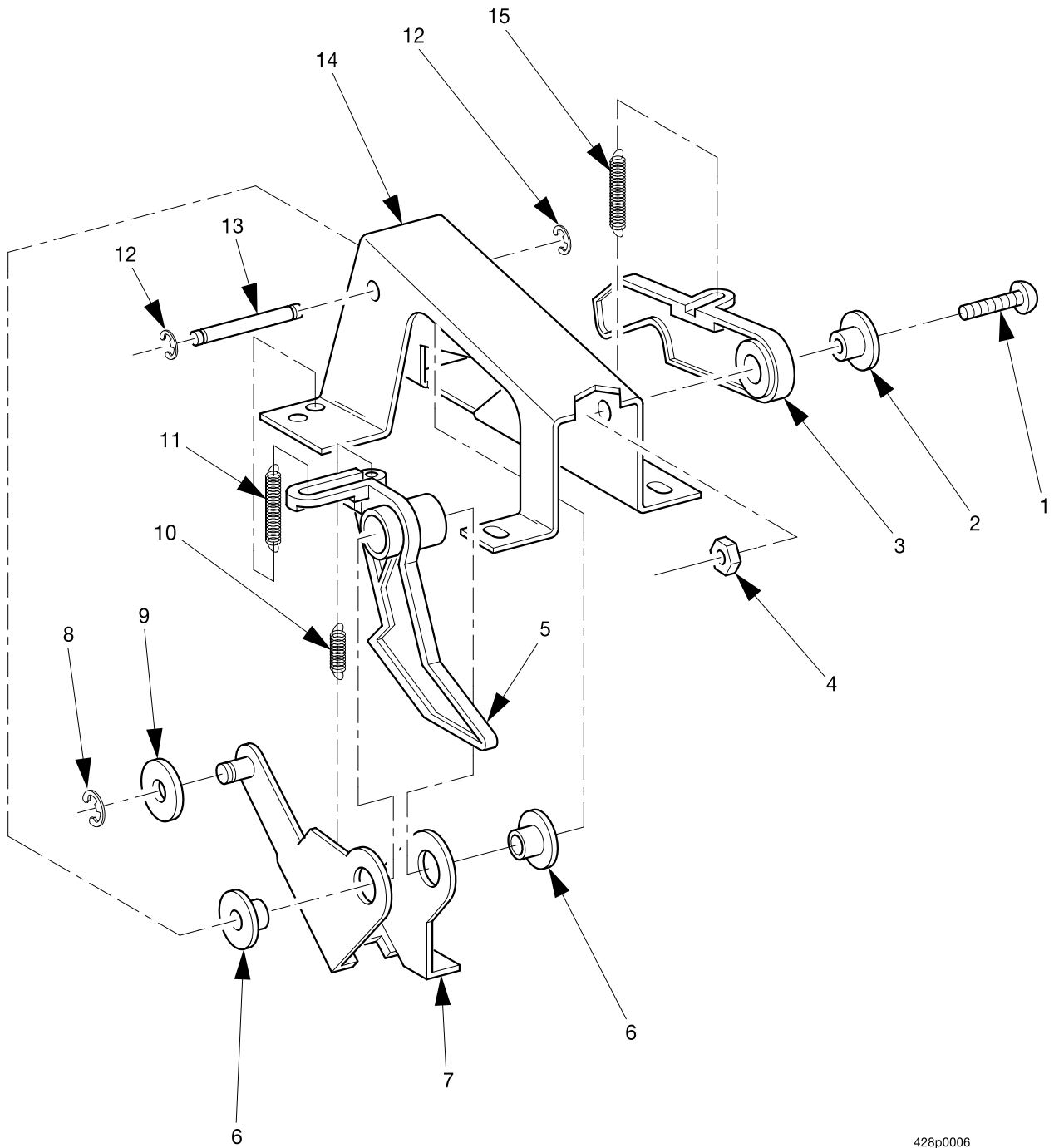
Figure 56. Tray Assembly - Elevator

FoodCenter Parts Manual

TABLE 56. TRAY ASSEMBLY - ELEVATOR

INDEX	PART NUMBER	DESCRIPTION	QTY.
-	4256013X	TRAY ASSEMBLY - ELEVATOR	REF
1	4246048	CLIP - SPRING	1
2	9900019	SCREW - NO. 8 - 32 X 3/8 RHS	6
3	4246044	SPRING - ELEVATOR GUIDE ARM	1
4	4047012	SHOULDER BUSHING	4
5	4246027	GEAR - DRIVE - ELEVATOR	2
6	3127034	ROLL PIN - 1/8 X 13/16	4
7	9900046	SCREW - #8 - 32 X 1/4 S/T	60
8	4246155	ARM AND ROLLER ASSEMBLY, RIGHT	1
9	4246036	STOP - VERTICAL - ELEVATOR	2
10	4246049	ANGLE - ELEVATOR STOP	2
11	4246043	HOLE PLUG	2
12	4256010	SIDEWALL AND BRACKET ASSEMBLY - ELEVATOR - RIGHT	1
13	4246042	SCREW - THUMB - ELEVATOR	3
14	9900081	KEPS NUT - NO. 8 - 32 W/LW	6
15	4246029	TRAY - ELEVATOR	1
16	4246023	ELEVATOR BASE AND NUT ASSEMBLY	1
17	4246160	SHAFT - ELEVATOR GUIDE	1
18	4246035	SUPPORT - SHAFT	1
19	4246030	PANEL - BOTTOM - ELEVATOR	1
20	4246001	HORIZONTAL SELECTOR ASSEMBLY (SEE FIGURE 57)	6
21	4246041	RETAINER - ELEVATOR TRAY	1
22	4256012	SIDEWALL AND BRACKET ASSEMBLY - ELEVATOR - LEFT	1
23	4246152	ARM AND ROLLER ASSEMBLY - LEFT	1
24	4246016	SHAFT - DRIVE - ELEVATOR	1
25	6138107	TUBE - DRIVE SHAFT	1
26	4246038	TRIM - ELEVATOR - FRONT	1
27	4246039	TRIM - ELEVATOR - REAR	1
28	4246565	CUSHION - ELEVATOR COVER	2
29	4246040	COVER - ELEVATOR	1

FoodCenter Parts Manual



428p0006

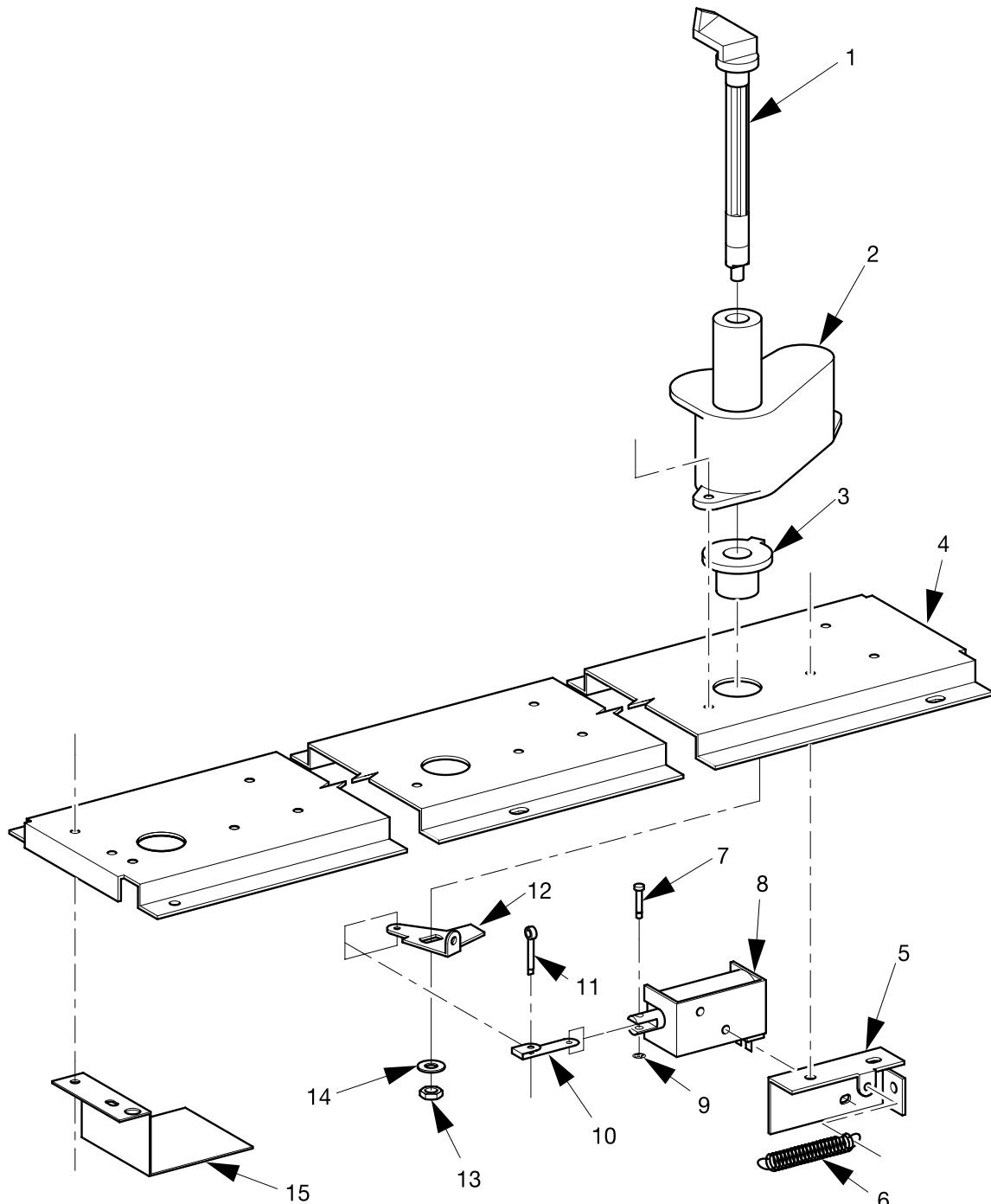
Figure 57. Horizontal Selector Assembly

FoodCenter Parts Manual

TABLE 57. HORIZONTAL SELECTOR ASSEMBLY

INDEX	PART NUMBER	DESCRIPTION	QTY.
-	4246001	HORIZONTAL SELECTOR ASSEMBLY	REF
1	9900020	SCREW - #8 - 32 X 1/2 RHS	1
2	4246007	BUSHING - HORIZONTAL SELECTOR	1
3	4246006	LATCH - HORIZONTAL SELECTOR	1
4	9900072	NUT - #8 - 32 SELF - LOCKING	1
5	4246005	LEVER - HORIZONTAL SELECTOR	1
6	4246003	BUSHING - HORIZONTAL SELECTOR ARM	2
7	4246012	ARM ASSEMBLY - HORIZONTAL SELECTOR LATCH	1
8	9900425	RETAINING RING - REINFORCED "E" TYPE - .250	1
9	4246002	ROLLER - HORIZONTAL SELECTOR	1
10	4246011	SPRING - HORIZONTAL SELECTOR LEVER	1
11	2366178	SPRING - SHIFT ROD	1
12	9900418	RETAINING RING - REINFORCED "E" TYPE - .187	2
13	4246004	SHAFT - HORIZONTAL SELECTOR	1
14	4246008	BRACKET - HORIZONTAL SELECTOR	1
15	4246010	LEVER - HORIZONTAL SELECTOR	1

FoodCenter Parts Manual



428p0037

Figure 58. Channel Assembly - Horizontal

FoodCenter Parts Manual

TABLE 58. CHANNEL ASSEMBLY - HORIZONTAL

INDEX	PART NUMBER	DESCRIPTION	QTY.
-	4286025	CHANNEL ASSEMBLY - HORIZONTAL	REF
1	4246310	SHAFT - HORIZONTAL SELECTOR	6
2	4246302	HOUSING - SHAFT - HORIZONTAL SELECTOR	6
3	4246303	BEARING - SHAFT - HORIZONTAL SELECTOR	6
4	4246301	CHANNEL - HORIZONTAL SELECTOR	1
5	4246305	BRACKET - SOLENOID - HORIZONTAL SELECTOR	6
6	4246307	SPPRING - HORIZONTAL SELECTOR ARM	6
7	4242241	PIN - LATCH MECHANISM	6
8	4252029	SOLENOID - 24 VDC	6
9	9900409	RETAINING RING - REINFORCED "E" TYPE - .093	6
10	4076510	LINK - SOLENOID	6
11	2224578	COTTER PIN - 5/64 X 1/2	6
12	4246304	ARM - SOLENOID - HORIZONTAL SELECTOR	6
13	9900164	KEPS NUT - #10 - 32 W/LW	6
14	9900120	WASHER - STEEL - 7/16 X .203 X .032	6
15	4246563	COVER - SOLENOID	1

FoodCenter Parts Manual

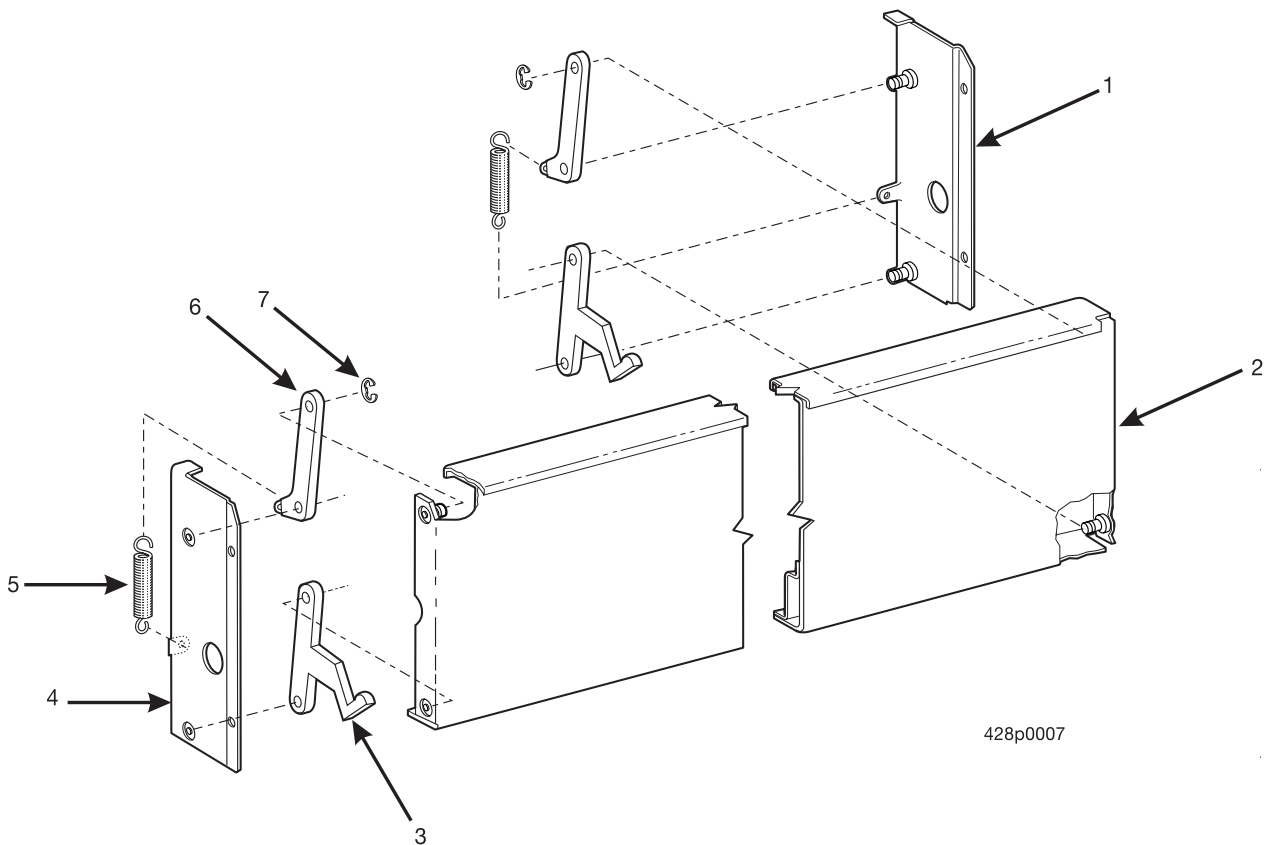


Figure 59. Moveable Panel, Bracket, and Arm Assembly

FoodCenter Parts Manual

TABLE 59. MOVEABLE PANEL, BRACKET, AND ARM ASSEMBLY

INDEX	PART NUMBER	DESCRIPTION	QTY.
-	4246513	MOVEABLE PANEL, BRACKET AND ARM ASSEMBLY	REF
1	4246503	BRACKET ASSEMBLY, RIGHT - MOVEABLE PANEL	1
2	4246507	MOVEABLE PANEL, STUD, AND STIFFENER ASSEMBLY	1
3	4246545	ARM - ACTUATOR - MOVEABLE PANEL	2
4	4246500	BRACKET ASSEMBLY - LEFT - MOVEABLE PANEL	1
5	4246556	SPRING - MOVEABLE PANEL	2
6	4246546	ARM - MOVEABLE PANEL	2
7	9900431	RETAINING RING - REINFORCED "E" TYPE, .312	8

FoodCenter Parts Manual

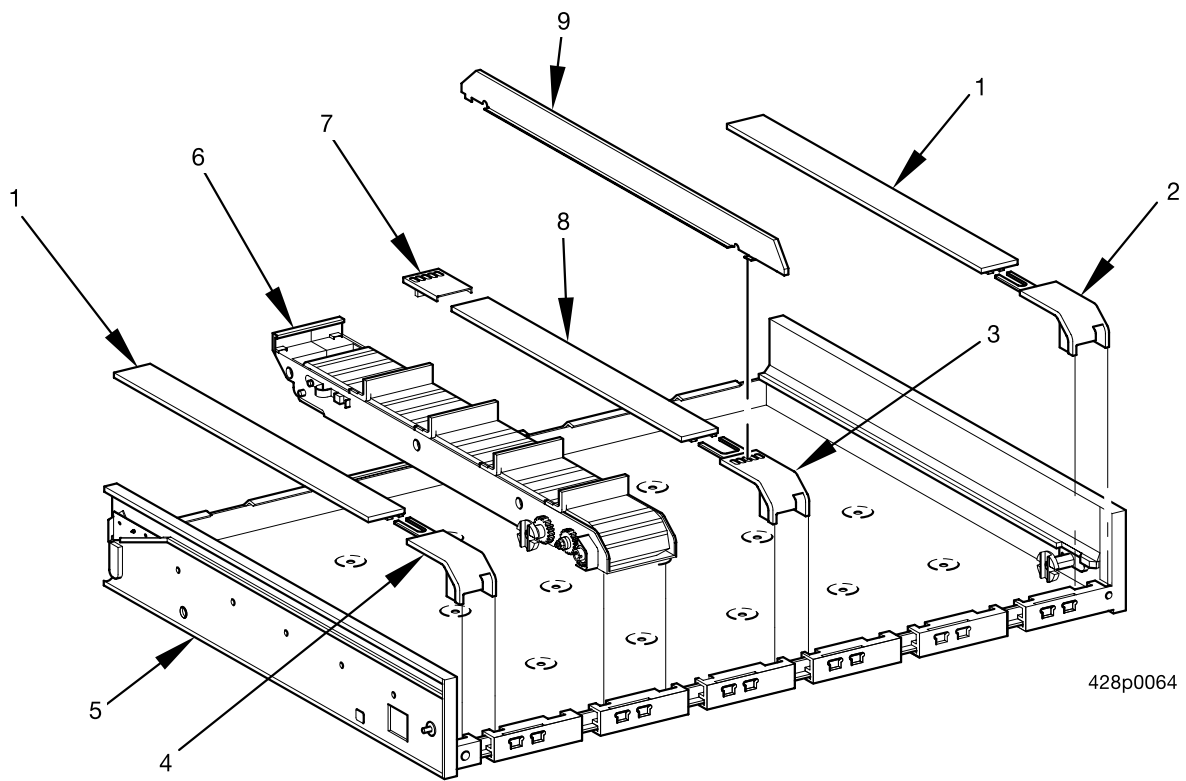


Figure 60. Tray Assembly - Final

FoodCenter Parts Manual

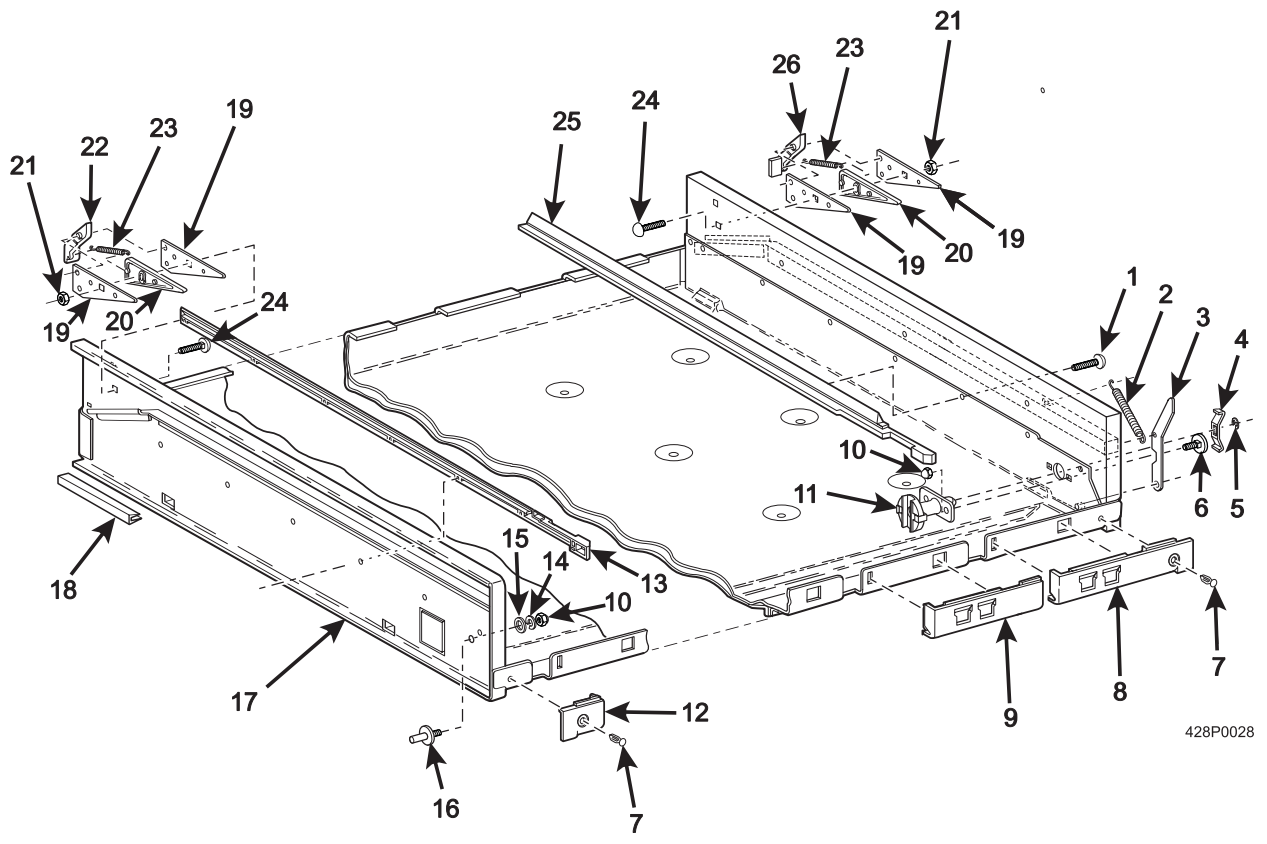
TABLE 60. TRAY ASSEMBLY - FINAL

INDEX	PART NUMBER	DESCRIPTION	QTY.
-	4247047	TRAY ASSEMBLY - FINAL - COMMON (INCLUDES INDEX NUMBERS 1 - 5 AND 7 - 9)	4
1	4247032	COVER/DIVIDER - OUTSIDE - TRAY	2
2	4247031	COVER - NOSE - RIGHT - TRAY	1
3	4247030	COVER - NOSE - CENTER - TRAY	5
4	4247029	COVER - NOSE - LEFT - TRAY	1
5	4247000	TRAY ASSEMBLY (SEE FIGURE 61)	1
6	4247501	MODULE ASSEMBLY - 5 CAPACITY (SEE FIGURE 63)	OPT.
6	4247701	MODULE ASSEMBLY - 7 CAPACITY (SEE FIGURE 63)	OPT.
6	4247901	MODULE ASSEMBLY - 9 CAPACITY (SEE FIGURE 63)	OPT.
6	4247801	MODULE ASSEMBLY - 18 CAPACITY (SEE FIGURE 63)	OPT.
7	4247034	SPRING - FLAT - COVER/DIVIDER	5
8	4247033	COVER/DIVIDER - CENTER - TRAY	5
9	4247035	DIVIDER - MODULE - TRAY	5

NOTES

- 1 EACH TRAY ACCOMODATES SIX VENDING MODULES
- 2 THERE ARE VENDING MODULES WITH PRODUCT CAPACITIES OF 5, 7, 9, AND 18 COUNT
- 3 THE VENDING MODULES CAN BE USED IN ANY COMBINATION IN EACH TRAY AS LONG AS THE TOTAL NUMBER OF MODULES PER TRAY IS SIX.
- 4 CONTACT THE NATIONAL VENDORS PARTS DEPARTMENT FOR AVAILABLE TRAY CONFIGURATIONS.

FoodCenter Parts Manual



428P0028

Figure 61. Tray Assembly

FoodCenter Parts Manual

TABLE 61. TRAY ASSEMBLY

INDEX	PART NUMBER	DESCRIPTION	QTY.
-	4247000	TRAY ASSEMBLY	REF
1	9900203	SCREW - #6 - 20 X 3/8 PHS T/C	14
2	4247003	SPRING - EXTENSION - SHAFT LOCK	1
3	4247002	LOCK - DRIVE SHAFT - TRAY	1
4	4247043	COUPLING - DRIVE SHAFT - TRAY	1
5	9900418	RETAINING RING - REINFORCED "E" TYPE	2
6	1106656	CARRIAGE BOLT - #8 - 32 X 5/16	2
7	4247014	RIVET - ACCORDIAN	2
8	4247013	COVER - FRONT - RIGHT	1
9	4247012	COVER - FRONT - CENTER	5
10	3108030	ACORN NUT - #8 - 32	3
12	4247011	COVER - FRONT - LEFT	1
13	4247009	SUPPORT - COVER - LEFT	1
14	9900032	LOCKWASHER - #8 SPLIT TYPE	1
15	9900035	WASHER - STEEL - 7/16 X 3/16 X .046	1
16	4247001	PIN - TRIP - CAM - DOOR INTERLOCK	1
17	4247015	TRAY ASSEMBLY - WELD	1
18	4247117	GUARD - RAIL - LOWER - TRAY	2
19	4247007	RETAINER - LOCK - ROLLER	4
20	4247004	SPACER - LOCK - ROLLER	2
21	9900152	NUT - #10 - 32	2
22	4247005	LOCK - ROLLER - LEFT	1
23	4247008	SPRING - EXTENSION - ROLLER STOP	2
24	4247114	CARRIAGE BOLT - #10 - 24 X 3/4	2
25	4247010	SUPPORT - COVER - RIGHT	1
26	4247006	LOCK - ROLLER - RIGHT	1

FoodCenter Parts Manual

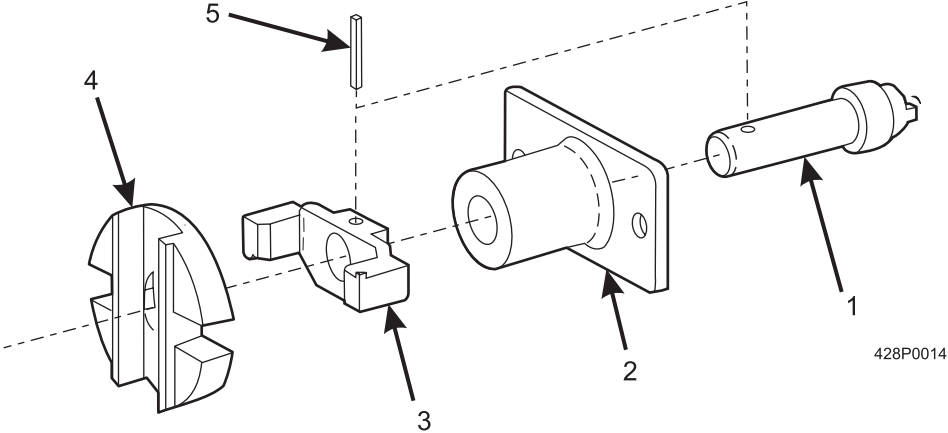


Figure 62. Drive Shaft Assembly - Tray

FoodCenter Parts Manual

TABLE 62. DRIVE SHAFT ASSEMBLY - TRAY

INDEX	PART NUMBER	DESCRIPTION	QTY.
-	4247042	DRIVE SHAFT ASSEMBLY - TRAY	REF
1	4247044	SHAFT - DRIVE - TRAY	1
2	4247025	BEARING - DRIVE SHAFT - TRAY	1
3	4241052	COUPLING - PINNED - DRIVE SHAFT	1
4	4247028	COUPLING - DUAL SLIDE - DRIVE SHAFT	1
5	6104219	ROLL PIN - 3/32 DIA. X 5/8	1

FoodCenter Parts Manual

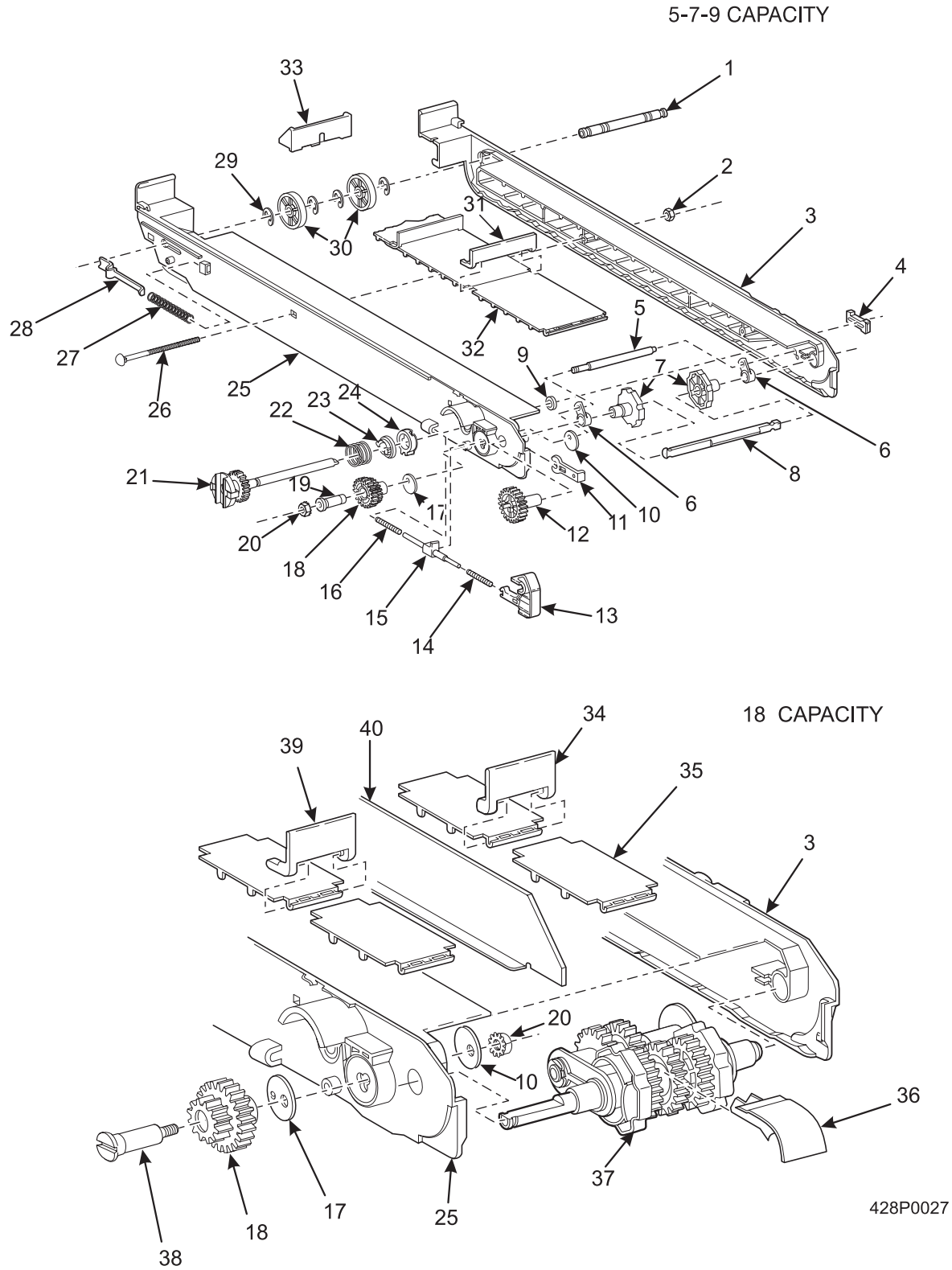


Figure 63. Module Assembly - 5, 7, 9, 18 Capacity

FoodCenter Parts Manual

TABLE 63. MODULE ASSEMBLY - 5, 7, 9, 18 CAPACITY

INDEX	PART NUMBER	DESCRIPTION	QTY.
-	4247501	MODULE ASSEMBLY - 5 CAPACITY	REF
	4247701	MODULE ASSEMBLY - 7 CAPACITY	
	4247901	MODULE ASSEMBLY - 9 CAPACITY	
	4247801	MODULE ASSEMBLY - 18 CAPACITY	
1	4247509	SHAFT - REAR SPROCKET	1
2	9900152	NUT - #10 - 24	3
3	4247506	RAIL RIGHT SIDE	1
4	4247026	COUPLING - SLOTTED - DRIVE SHAFT	1
5	4247549	SHAFT - IDLER GEAR - 5, 7, 9 CAPACITY	1
6	4247551	SPACER - ROD - IDLER GEAR - 5, 7, 9 CAPACITY	2
7	4247525	SPROCKET - FRONT - 5, , 9 CAPACITY	2
8	4247524	SHAFT - FORWARD - 5, 7, 9 CAPACITY	1
9	4247538	BEARING - DRIVE SHAFT	1
10	4247531	WASHER - SHAFT - IDLER GEAR	1
11	4247513	RETAINER - DRIVE SHAFT	1
12	4247526	GEAR - FORWARD	1
13	4247522	ARM - ACTUATOR - CAM	1
14	4247521	SPRING - COMPRESSION - CLUTCH - OVERLOAD	1
15	4287001	ROD - ACTUATOR - CAM	1
16	4247523	SPRING - COMPRESSION - RETURN - CLUTCH	1
17	4247548	WASHER - ADAPTOR - 5 CAPACITY	1
	4247707	WASHER - ADAPTOR - 7 CAPACITY	
	4247906	WASHER - ADAPTOR - 9/18 CAPACITY	
18	4247502	GEAR - 6" BELT - 5 CAPACITY	1
	4247702	GEAR - 4" BELT - 7 CAPACITY	
	4247902	GEAR - 3" BELT - 9/18 CAPACITY	
19	4247550	BUSHING - IDLER GEAR - 5/7/9 CAPACITY	1
20	9900164	KEPS NUT - #10 - 32 - 5/7/9 CAPACITY	1
		KEPS NUT - #10 - 32 - 18 CAPACITY	2
21	4247527	DRIVE SHAFT ASSEMBLY (SEE FIGURE 65)	1
22	4247516	SPRING - COMPRESSION - BRAKE	1
23	4247515	CLUTCH/BRAKE - SLIDE	1
24	4247514	CAM - DRIVE - ACTUATOR	1
25	4247542	RAIL - LEFT SIDE	1
26	4247507	CARRIAGE BOLT - #10 - 24 X 4 1/8	3
27	4257501	SPRING - COMPRESSION - REAR	2
28	4247511	RETAINER - SPRING - REAR SHAFT	2
29	9900437	RETAINING RING - REINFORCED - "E" TYPE	4

FoodCenter Parts Manual

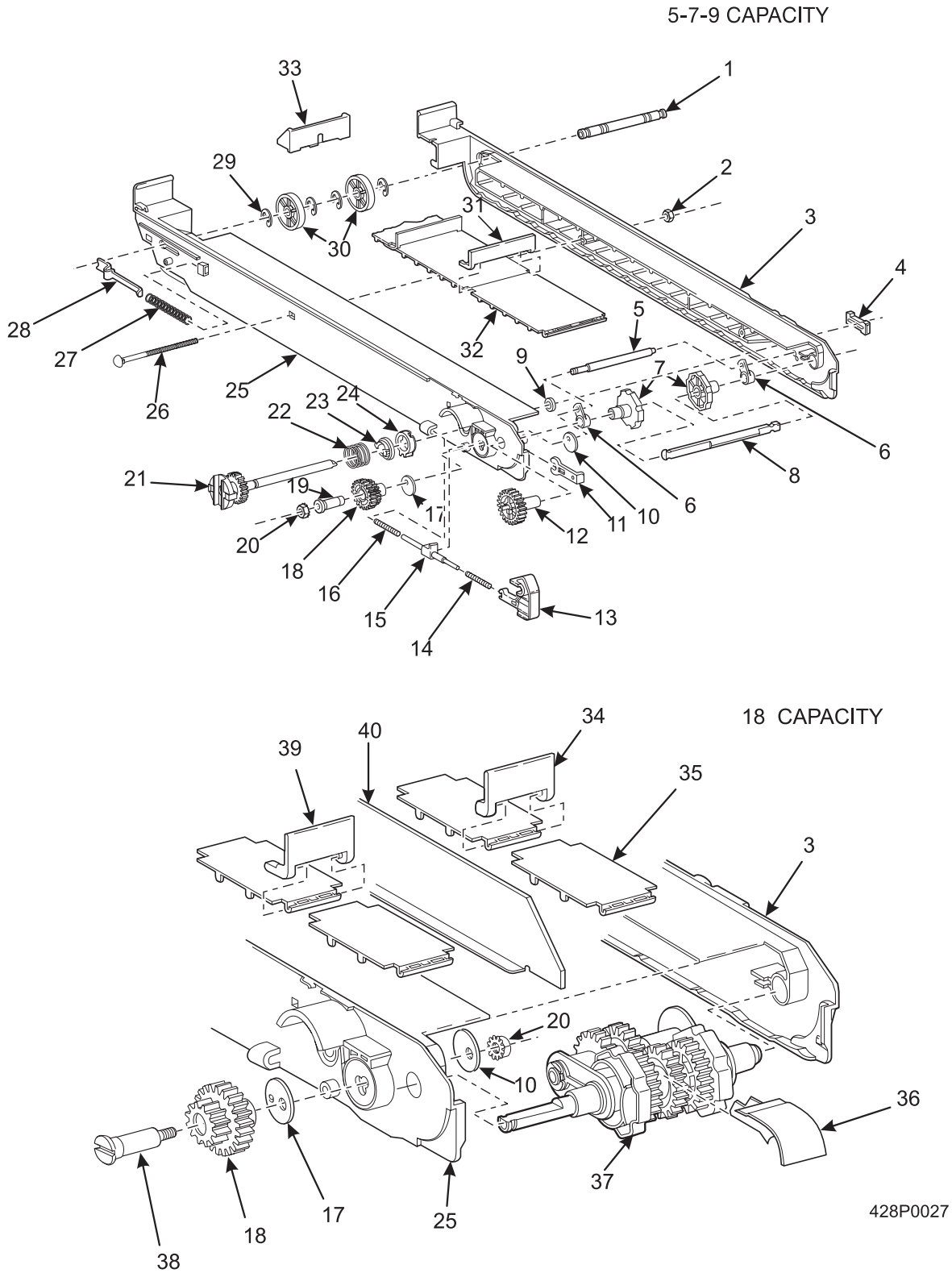


Figure 63. Module Assembly - 5, 7, 9, 18 Capacity (Continued)

FoodCenter Parts Manual

TABLE 63. MODULE ASSEMBLY - 5, 7, 9, 18 CAPACITY

INDEX	PART NUMBER	DESCRIPTION	QTY.
30	4247539	ROLLER - REAR	2
31	4247504	DIVIDER - BELT - 5 CAPACITY	10
		DIVIDER - BELT - 7 CAPACITY	15
		DIVIDER - BELT - 9 CAPACITY	20
32	4247503	LINK - 6" BELT - 5 CAPACITY	10
		LINK - 4" BELT - 7 CAPACITY	15
		LINK - 3" BELT - 8 CAPACITY	20
33	4247704	BLOCKER - REAR - 7/9/18 CAPACITY	1
34	4247810	DIVIDER - RIGHT SIDE - TWIN BELT - 18 CAPACITY	20
35	4247809	LINK - 3" TWIN BELT - 18 CAPACITY	40
36	4247813	COVER - GEAR - TWIN BELT - 18 CAPACITY	1
37	4247802	GEAR ASSEMBLY - TWIN BELT - - 18 CAPACITY (SEE FIGURE 64)	1
38	4247517	SHAFT - IDLER GEAR - 18 CAPACITY	1
39	4247811	DIVIDER - LEFT SIDE - TWIN BELT - 18 CAPACITY	20
40	4247812	DIVIDER - TWIN BELT - TRAY - 18 CAPACITY	1

FoodCenter Parts Manual

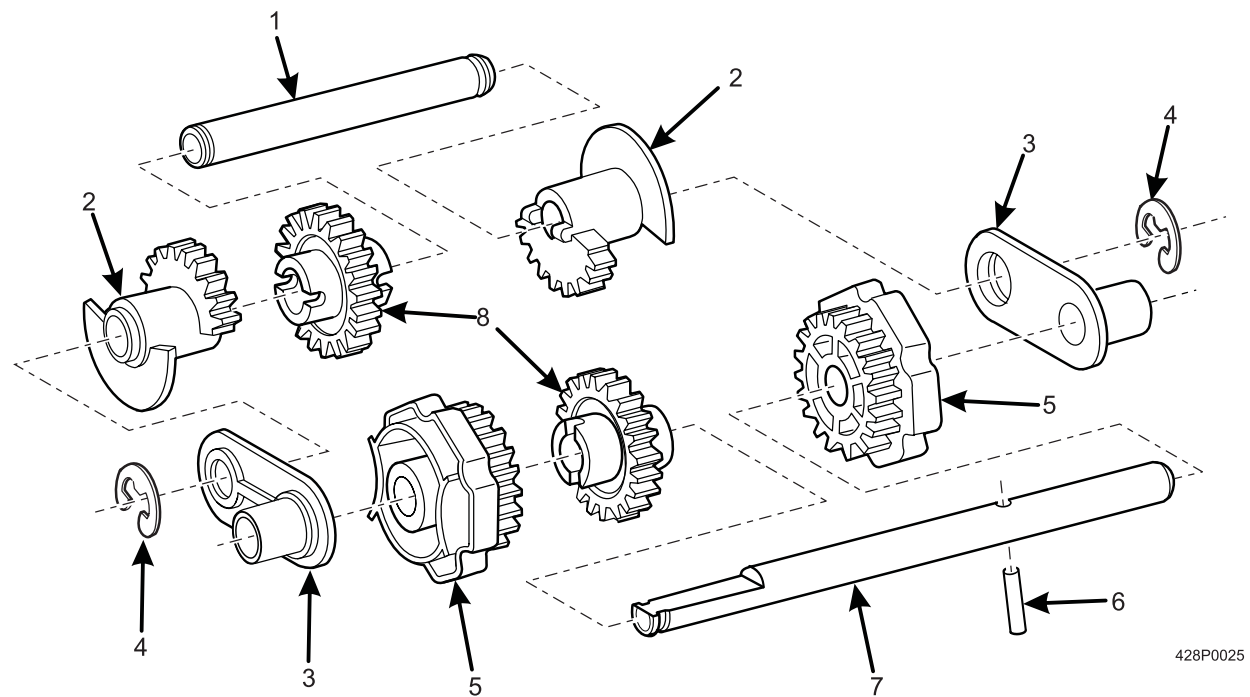


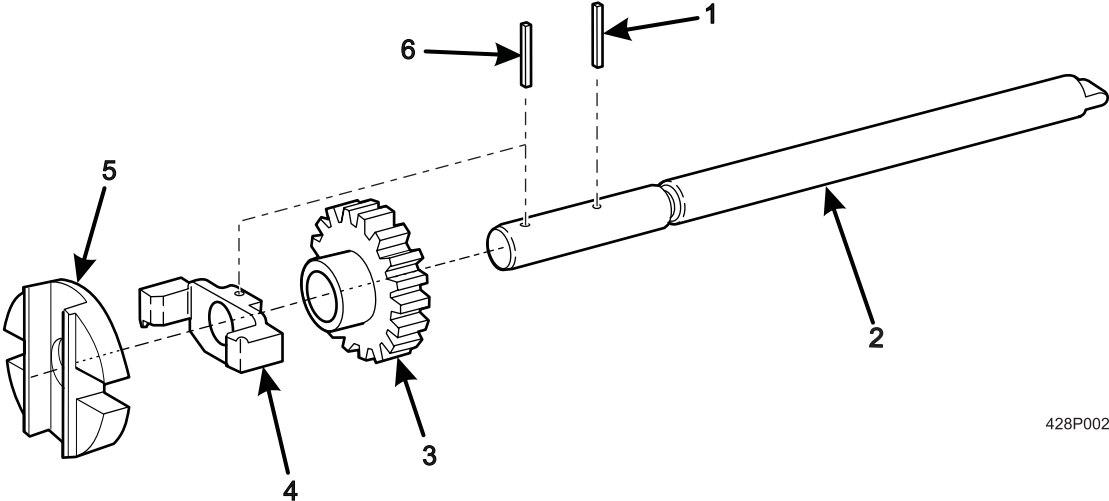
Figure 64. Gear Assembly - 18 Capacity

FoodCenter Parts Manual

TABLE 64. GEAR ASSEMBLY - 18 CAPACITY

INDEX	PART NUMBER	DESCRIPTION	QTY.
-	4247802	GEAR ASSEMBLY - TWIN BELT - 18 CAPACITY	REF.
1	4247804	SHAFT - GEAR - TWIN BELT - MODULE	1
2	4247807	GEAR/CAM - TWIN BELT - MODULE	2
3	4247808	RETAINER - GEAR - TWIN BELT - MODULE	2
4	9900437	RETAINING RING - REINFORCED "E" TYPE	2
5	4247806	SPROCKET - TWIN BELT - FRONT - MODULE	2
6	6104216	ROLL PIN - 5/32 X 5/8	1
7	4247083	SHAFT - FORWARD - TWIN BELT - MODULE	1
8	4247805	GEAR - TWIN BELT - MODULE	2

FoodCenter Parts Manual



428P0026

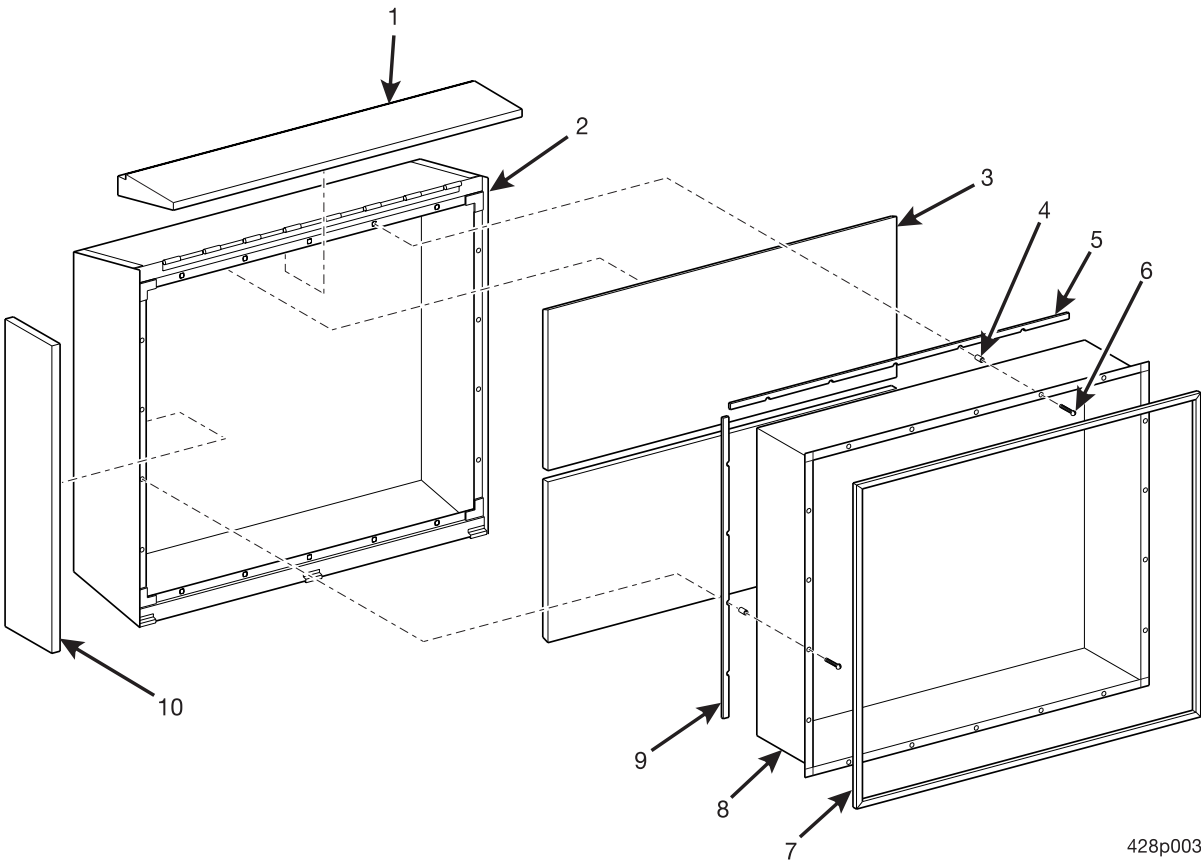
Figure 65. Drive Shaft Assembly - Module

FoodCenter Parts Manual

TABLE 65. DRIVE SHAFT ASSEMBLY - MODULE

INDEX	PART NUMBER	DESCRIPTION	QTY.
-	4247527	DRIVE SHAFT ASSEMBLY - MODULE	REF
1	4247530	GROOVE PIN - .093 DIA. X .56	1
2	4247528	SHAFT - DRIVE - MODULE	1
3	4247529	GEAR - DRIVE - MODULE	1
4	4241052	COUPLING - PINNED - DRIVE SHAFT	1
5	4247028	COUPLING - DUAL SLIDE - DRIVE SHAFT	1
6	6104219	ROLL PIN - 3/32 DIA. X 5/8	1

FoodCenter Parts Manual



428p0032

Figure 66. Hatch Assembly

FoodCenter Parts Manual

TABLE 66. HATCH ASSEMBLY

INDEX	PART NUMBER	DESCRIPTION	QTY.
	4243000	HATCH ASSEMBLY, CABINET, FINAL	
1	4243013	INSULATION, HATCH, TOP AND BOTTOM	2
2	4243001	SHELL ASSEMBLY, HATCH, WELD	1
3	4243012	INSULSTION, HATCH, BACK	2
4	4241165	SPACER, LINER, .5 DIA	18
5	4243130	INSULATION, FLANGE, LINER, TOP AND BOTTOM	2
6	4041106	SCREW. NO 8 - 18 X 3/4 RHS S/T	18
7	4243015	GASKET, HATCH	1
8	4243008	LINER ASSEMBLY, HATCH WELD	1
9	4243131	INSULATION, FLANGE, LINER SIDE	2
10	4243014	INSULATION, HATCH, SIDEWALL	2

FoodCenter Parts Manual

TABLE 67. HARNESS USAGE

PART NO.	DESCRIPTION	U.S.A.	U.K.	FR.	GER.	OTHER 230 V.
1451124	SUPRESSION NETWORK ASSEMBLY					
1579005	HARNESS - MARS PULSE VALIDATOR					
1579006	HARNESS - MAKA PULSE VALIDATOR					
1579008	CABLE RIBBON - 16 CONDUCTOR					
1579018	HARNESS - DATA PRINTER INTERFACE					
1679056	HARNESS - DEX PRINTER INTERFACE					
1579023	HARNESS - CBV VALIDATOR					
1579028	HARNESS - SERIAL VALIDATOR					
1579032	HARNESS - SERIAL VALIDATOR - 24V					
1579034	HARNESS FOR BA 30 / 32 SA MDB					
1579050	HARNESS - MDB FOR CONLUX 2000					
4241194	JUMPER - CENTER LIGHT TO SOLENOID					
4251106	HARNESS - HOME SWITCH					
4251134	HARNESS - CENTER LIGHT					
4282049	LIGHT BRACKET & HARNESS ASSEMBLY - RT.					
4282050	LIGHT BRACKET & HARNESS ASSEMBLY - LT.					
4289000	HARNESS - CONTROLLER TO DISPLAY					
4289001	HARNESS - DOM. COIN& VALIDATOR POWER					
4289002	HARNESS - POWER TO PCB AND COIN					
4289003	HARNESS - TRAY/WALL/PANEL TO PCB					
4289004	HARNESS - PCB/TRIAC & ELEVATOR					
4289005	HARNESS - TEMP/STOP TO PCB					
4289007	HARNESS - VEND SOLENOID TO PCB					
4289008	JUMPER - POWER TO CABINET LIGHT					
4289009	HARNESS - DOOR LIGHTS TO BALLAST					
4289010	HARNESS - DOOR LOCK & SWITCHES					
4289011	HARNESS - LIGHT/HEAT/MOTOR - DOOR					
4289012	HARNESS - AC - CABINET TO COMPRESSOR					
4319001	HARNESS - POWER PANEL					
4319003	HARNESS - POWER PANEL XFMR - DOOR					
4319013	HARNESS - POWER PANEL XFMR - 230 V					
6332010	SUPPRESSION NETWORK ASSEMBLY					
9984165	JUMPER - GROUND WIRE					
9985042	CORD SET - POLARIZED - GROUNDED					
9989560	POWER CORD - FOREIGN - AUSTRALIA/NZ					AUST.
9989576	POWER CORD - W/BSI PLUG					
9989577	POWER CORD - EURO PLUG					SWEDEN
9989631	JUMPER - DEBIT CARD - SHOPPER					
9989706	HARNESS - MONETARY - MDB					
9989712	JUMPER - EXEC MECH					
9989718	JUMPER - VALIDATOR - 24V					
9989718	JUMPER - VALIDATOR - 24V					

FoodCenter Parts Manual

TABLE 68. REFRIGERATION COMPONENTS

COMPONENT DESCRIPTION	115V	230V
REFRIGERATION ASSEMBLY - R134A	4254112	4254094
EVAPORATOR ASSEMBLY	4254093	4254903
EVAPORATOR	4244010	4944010
CONDENSING UNIT	4254113	4254107
CONDENSER FAN BLADE	4043065	4043065
COMPRESSOR	4254114	4254087
CONDENSER COIL	4254118	4254118
CONDENSER FAN MOTOR	4304092	4774122
DRIER	4304194	4304194
GROMMETS (COMPRESSOR MOUNTING)	4254027	4254027
SLEEVES (COMPRESSOR MOUNTING)	4254028	4254028
COMPRESSOR BASE	4254089	4254089
CONDENSATE PAN	4041043	4041043
COMPRESSOR COMPONENTS BAG ASSEMBLY	4254127	4254126
TEMPERATURE SENSOR PROBE	4119013	4119013



FoodCenter Parts Manual

TABLE 69. B4280000 - BAG ASSEMBLY USA

PART NUMBER	DESCRIPTION	QTY.
4257001	PRICE TAG SHEET	1
4257002	PRICE TAGS	1
4280000	DOCUMENTATION PACKAGE	1
4280014	ITEM TAG SHEET	1
4280017	W.D. PACKAGE - FOODCENTER - 115V	1

TABLE 70. B4280001 - BAG ASSEMBLY UK

PART NUMBER	DESCRIPTION	QTY.
1032004	LABEL - PRICE TAG - U.K.14P 85P	1
1032005	LABEL - PRICE TAG - U.K.26P 65P	1
1032006	LABEL - PRICE TAG - U.K.27P 73P	1
1032012	LABEL - PRICE TAG - U.K.86P 133P	1
1032013	LABEL - PRICE TAG - U.K.134P 181P	1
1032015	LABEL - PRICE TAG - U.K.5P 25P	1
1575083	COIN CHUTE & BRACKET ASSEMBLY	1
1575086	INSTR. SHEET - COIN SHUTE & BRKT	1
4280000	DOCUMENTATION PACKAGE	1
4280014	ITEM TAG SHEET	1
4280018	W.D. PACKAGE - FOODCENTER - 115V	1

TABLE 71. B4280002 - BAG ASSEMBLY FRANCE, GERMANY, SWEDEN

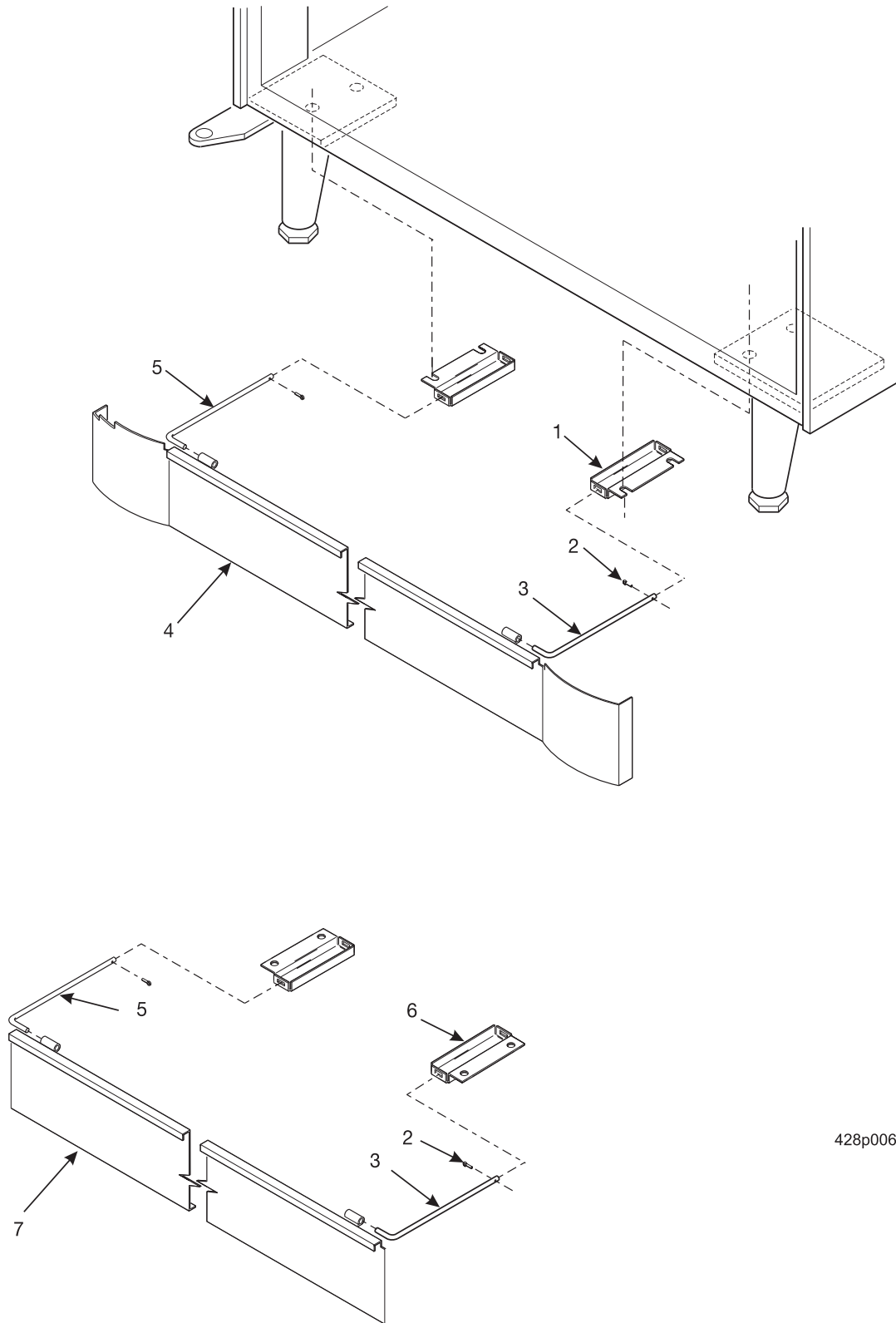
PART NUMBER	DESCRIPTION	QTY.
4112162	PRICE TAGS - INTERNATIONAL - LOW	1
4112163	PRICE TAGS - INTERNATIONAL - MID	1
4280000	DOCUMENTATION PACKAGE	1
4280014	ITEM TAG SHEET	1
4280018	W.D. PACKAGE - FOODCENTER - 115V	1

FoodCenter Parts Manual

TABLE 72. B4280003 - BAG ASSEMBLY AUSTRALIA

PART NUMBER	DESCRIPTION	QTY.
1575083	COIN CHUTE & BRACKET ASSEMBLY	1
1575086	INSTR. SHEET - COIN SHUTE & BRKT	1
4112162	PRICE TAGS - INTERNATIONAL - LOW	1
4112163	PRICE TAGS - INTERNATIONAL - MID	1
4280000	DOCUMENTATION PACKAGE	1
4280014	ITEM TAG SHEET	1
4280018	W.D. PACKAGE - FOODCENTER - 115V	1

FoodCenter Parts Manual



428p0065

Figure 72. Base Plate Assembly - Standard and Millennia

FoodCenter Parts Manual

TABLE 19. BASE PLATE ASSEMBLY - STANDARD AND MILLENNIA

INDEX	PART NUMBER	DESCRIPTION	QTY.
1	4311071	BRACKET - BASEPLATE - MILLENNIA	2
2	9900098	COTTER PIN 3/32 X3/4	2
3	1411194	SLIDE - BASE PLATE - RH	1
4	4281044	BASE PLATE ASSEMBLY - 56INCH - MILLENNIA	1
5	1411195	SLIDE - BASE PLATE - LH	1
6	1411193	BRACKET - BASEPLATE - STANDARD	
7	4251025	BASE PLATE ASSEMBLY - HINGED	

TABLE 20. MISCELLEANOUS ASSEMBLIES NOT SHOWN

PART NUMBER	DESCRIPTION
DATA PRINTER ASSEMBLY	
1579018	HARNESS - DATA - PRINTER INTERFACE
9984516	MODULAR ADAPTER - FEMALE
DEX PRINTER ASSEMBLY	
1679056	HARNESS - DEX PRINTER INTERFACE
MONEY BOX LOCK ASSEMBLY	
1101906	MONEY BOX LOCK #1801 NV407
2221920	KEY - CHICAGO LOCK #1801 NV407
2222603	NUT - LOCK RETAINER
2222604	WAHER - LOCK BARREL #2693

FoodCenter Parts Manual

Part Number Index

Part No.	Page	Part No.	Page
1032004	142	1475089	55
1032005	142	1475099	43
1032006	142	1475107	58
1032012	142	1571074	77
1032013	142	1571079	43
1032015	142	1571113	45
1101906	145	1572010	53
1106656	99, 101, 127	1572011	53
1122011	21	1572013	39
1122021	21	1572196	47
1122143	91	1572199	51
1127808	43	1572203	51
1172021	5	1572204	51
1172190	49	1572209	19
1172191	49	1572210	19
1211115	99, 101	1572213	19
1211141	83, 85, 87	1572214	17
1211161	95, 97	1572215	11
1212159	33, 113	1572216	11
1217159	29, 33, 89, 97	1572217	11
1217160	29, 33, 97	1572254	17
1302289	49	1572258	11
1302290	49	1572267	11
1302291	49	1572323	19
1302324	49	1572395	51
1302326	49	1572396	51
1302409	7, 13	1572397	51
1306519	109	1572398	51
1411193	145	1575001	55
1411194	145	1575003	43
1411195	145	1575010	55
1451124	140	1575043	55
1452076	97	1575044	39
1452203	7, 13	1575047	13
1472222	19, 39	1575048	43, 57
1472223	39	1575050	58
1472250	47	1575052	58
1472251	55	1575083	43, 142, 143
1475026	43	1575086	142, 143
1475053	58	1575091	55
1475072	43	1575098	39, 55

FoodCenter Parts Manual

Part No.	Page	Part No.	Page
1575099	39, 55	4041106	139
1579005	58, 140	4043065	141
1579006	58, 140	4047012	31, 33, 35, 77, 117
1579008	140	4047054	107
1579018	140, 145	4076510	113, 121
1579019	140, 145	4112162	142, 143
1579023	140	4112163	142, 143
1579028	58, 140	4119013	141
1579032	58, 140	4241047	91
1579034	58, 140	4241048	91
1579050	58, 140	4241049	91
2221036	27	4241052	129, 137
2221920	145	4241056X	77, 103
2222031	7	4241057	103
2222110	7	4241058	103
2222535	21	4241059	103
2222603	145	4241060	103
2222604	145	4241071	99
2224039	107	4241072	99
2224578	113, 121	4241074	99
2272052	49	4241075	99, 101
2301046	25	4241076	99
2302053	19, 53	4241077	99
2302218	21	4241078	99
2304083	29, 89	4241079	99
2307253	99	4241080	99
2366091	33	4241081	99
2366178	119	4241084	101
3102348	97	4241085	101
3102491	107	4241086	101
3106144	21	4241097	115
3108030	127	4241098X	67, 93
3112163	49	4241099	93
3112164	49	4241102	93
3122056	45	4241110	65
3127034	117	4241112	69
3151058	21	4241114	5
3152391	58	4241118	97
3152444	58	4241123	73
3152560	21	4241128	67
3632202	11	4241129	67
4031150	97	4241130	65
4041043	141	4241131	69
4041056	61	4241135	61
4041058	61	4241136	69

FoodCenter Parts Manual

Part No.	Page	Part No.	Page
4241137	65	4241232	73
4241138	69	4241234	91
4241141	69	4241238	77
4241142	69	4241244	71
4241144	69	4241248	65
4241145	69	4241249	65
4241146	65	4241250	25
4241147	71, 73	4241264	99, 101
4241149	73	4241265	99, 101
4241150	71, 73	4241277	103
4241151	71	4241283	95
4241152	73	4241312	77
4241153	71, 73	4241313	77
4241154	71	4241325	69
4241155	71	4242016	23, 97
4241156	71	4242037	21
4241160	65	4242039	9
4241162	99, 101	4242040	7
4241163	65, 99, 107	4242041	7
4241164	65, 69, 71, 73	4242046	21
4241165	65, 139	4242050	21
4241166	61	4242051	9
4241167	99, 101	4242053	9
4241169	77	4242054	9
4241170	77	4242075	21
4241171	77	4242077	21
4241172X	61, 95	4242084	21
4241176	21	4242095	21
4241180	65	4242096	21
4241183	77	4242101	27
4241194	140	4242104	27
4241202	61	4242109	27
4241203	77	4242115	27
4241204	77	4242116	25
4241208	95	4242117	27
4241217	65	4242118	27
4241218	65	4242119	27
4241220	65	4242120	27
4241221	93	4242121	27
4241222	93	4242122	27
4241223	93	4242123	27
4241224	93	4242124	27
4241225	69	4242126	27
4241229	73	4242127	27
4241230	73	4242128	27

FoodCenter Parts Manual

Part No.	Page	Part No.	Page
4242129	29	4243001	139
4242130	27	4243008	139
4242132	27	4243011	5
4242134	27	4243012	139
4242155	7	4243013	139
4242156	7	4243014	139
4242157	7	4243015	139
4242160	21	4243130	139
4242163	7	4243131	139
4242168	13	4244010	141
4242171	27	4245040	13
4242175	9	4245068	13
4242207	33	4245069	13
4242208	31, 35	4245082	53
4242209	31, 35	4245083	53
4242210	31, 35	4245084	53
4242211	33	4245124	13
4242212	31	4245393	13
4242213	33	4246001	117, 119
4242214	31, 35	4246002	119
4242215	33	4246003	119
4242216	31, 35	4246004	119
4242217	33	4246005	119
4242221	31, 35	4246006	119
4242225	31, 35	4246007	119
4242228	31	4246008	119
4242235	29	4246010	119
4242236	29	4246011	119
4242240	29	4246012	119
4242241	29, 113, 121	4246016	117
4242242	29	4246023	117
4242243	25	4246027	117
4242245	25	4246029	117
4242247	29	4246030	117
4242248	29	4246035	117
4242250	29	4246036	117
4242251	29	4246038	117
4242252	25	4246039	117
4242253	29	4246040	117
4242259	31, 35	4246041	117
4242268	33	4246042	117
4242279	25	4246043	117
4242285	25	4246044	117
4242293	7	4246047	63
4243000	139	4246048	117

FoodCenter Parts Manual

Part No.	Page	Part No.	Page
4246049	117	4246428	107, 111
4246102	115	4246429	111
4246103	115	4246430	111
4246104	115	4246433	111
4246107	115	4246437	107
4246108	115	4246439	107
4246110	115	4246448	111
4246112	115	4246449	107
4246113	115	4246500	123
4246114	115	4246503	123
4246115	115	4246507	123
4246116	79	4246511	105
4246117	75, 79, 115	4246511X	79
4246118	115	4246512	105
4246119	115	4246513	63, 123
4246127	115	4246514	105
4246134	115	4246517	105
4246139	115	4246518	105
4246140	115	4246522	105
4246141	115	4246524	113
4246142	115	4246525	113
4246152	117	4246528	79
4246155	117	4246543	63
4246160	117	4246544	63
4246168	115	4246545	123
4246169	115	4246546	123
4246170	115	4246547	73
4246171	115	4246548	71
4246176X	115	4246549	71
4246201	75	4246550	73
4246202	75	4246551	73
4246203	75	4246552	71
4246301	121	4246553	71
4246302	121	4246554	73
4246303	121	4246555	75
4246304	121	4246556	123
4246305	121	4246558	79
4246307	121	4246559	79
4246310	121	4246560	79
4246317	63	4246563	121
4246404	109	4246565	117
4246405	109	4247000	125, 127
4246406	109	4247001	127
4246408	109	4247002	127
4246415	107	4247003	127

FoodCenter Parts Manual

Part No.	Page	Part No.	Page
4247004	127	4247506	131
4247005	127	4247507	131
4247006	127	4247509	131
4247007	127	4247511	131
4247008	127	4247513	131
4247009	127	4247514	131
4247010	127	4247515	131
4247011	127	4247516	131
4247012	127	4247517	133
4247013	127	4247521	131
4247014	127	4247522	131
4247015	127	4247523	131
4247025	129	4247524	131
4247026	131	4247525	131
4247028	129, 137	4247526	131
4247029	125	4247527	131, 137
4247030	125	4247528	137
4247031	125	4247529	137
4247032	125	4247530	137
4247033	125	4247531	131
4247034	125	4247538	131
4247035	125	4247539	133
4247042	129	4247542	131
4247043	127	4247548	131
4247044	129	4247549	131
4247047	125	4247550	131
4247083	135	4247551	131
4247101	89	4247701	125, 131
4247103	33, 89	4247702	131
4247104	89	4247704	133
4247105	89	4247707	131
4247106	89	4247801	125, 131
4247107	89	4247802	133, 135
4247114	127	4247804	135
4247117	127	4247805	135
4247200	67	4247806	135
4247201	99	4247807	135
4247202	101	4247808	135
4247204	99, 101	4247809	133
4247205	99, 101	4247810	133
4247206	99, 101	4247811	133
4247501	125, 131	4247812	133
4247502	131	4247813	133
4247503	133	4247901	125, 131
4247504	133	4247902	131

FoodCenter Parts Manual

Part No.	Page	Part No.	Page
4247906	131	4252126	9
4251013	65	4252127	8
4251016X	67, 99	4252128	9
4251017X	67, 101	4252129	8
4251018	99	4252134	7
4251019	101	4252135	8
4251025	145	4252136	9
4251100	65	4252158	9
4251101	65	4252161	9
4251106	140	4252167	8
4251109	65	4252168	9
4251134	97, 140	4252169	7
4251204	3	4252171	8
4252009	7	4252172	9
4252015	21	4252173	7
4252017	21	4252187	61
4252018	21	4252202	33
4252021	25, 35	4252212	7
4252027	23	4252213	7
4252029	113, 121	4254027	141
4252030	29	4254028	141
4252033	7	4254087	141
4252034	7	4254089	141
4252035	7	4254093	141
4252041	8	4254094	141
4252042	8	4254107	141
4252044	8	4254112	141
4252045	8	4254113	141
4252048	8	4254114	141
4252055	7	4254118	141
4252056	7	4254126	141
4252057	7	4254127	141
4252058	8	4254903	141
4252076	7	4255005	13
4252080	7	4255055	89
4252081	9	4255057	13
4252082	8	4255058	13
4252083	8	4255090	13
4252109	7	4255092	13
4252110	8	4255093	13
4252111	9	4255122	13
4252112	8	4255123	13
4252113	9	4255124	13
4252122	8	4255143	73
4252123	9	4255158	13

FoodCenter Parts Manual

Part No.	Page	Part No.	Page
4255229	13	4281055	77
4255293	13	4281056	61
4255303	13	4281085	87
4255315	13	4282008	11
4255390	13	4282010	11
4256000	79, 115	4282012	17
4256001	115	4282015	25
4256003	115	4282016	25, 29
4256004	115	4282017	25, 31
4256007	115	4282018	25
4256010	117	4282019	25, 29
4256012	117	4282020	17
4256013	63	4282022	11
4256013X	117	4282023	11
4256014	79	4282030	11
4256015	75	4282033	21
4256018	107	4282041	11
4256020	113	4282042	11
4256020X	79	4282043	23
4257001	142	4282049	21, 23, 140
4257002	142	4282050	21, 23, 140
4257101	29, 89	4285001	14
4257501	131	4285002	15
4272060	43	4285007	37
4280000	142, 143	4285012	37
4280014	142, 143	4285013	47
4280017	142	4285015	47
4280018	142, 143	4285017	47
4281022	109	4285021	47
4281027	61	4285027	43
4281029	91	4285028	15
4281030	61, 91	4285029	15
4281031	61	4285031	15
4281034	107, 109	4285032	15
4281035	107	4285033	15
4281036	79, 107	4285034	15
4281037	79	4285035	15
4281038	81	4285037	15
4281039	81	4285038	15
4281041	83, 85	4285039	15
4281042	77, 83	4285040	15
4281044	145	4285041	15
4281049	77	4285042	15
4281050	77, 85	4285043	15
4281054	87	4285044	15

FoodCenter Parts Manual

Part No.	Page	Part No.	Page
4285045	14	4319003	83, 140
4285047	14	4319012	107
4285048	14	4319013	85, 87, 140
4285049	14	4646102	75
4285050	14	4774122	141
4285051	14	4825085	47
4285053	14	4944010	141
4285054	14	5201086	29
4285055	14	5201091	89, 115
4285056	14	5220110	89
4285057	14	5220449	105, 115
4285058	14	5307321	59
4285059	14	5900094	59
4285060	14	5900096	59
4285061	14	5900112	59
4285062	14	5900116	59
4285068	37	5900182	58
4285074	11	5900192	59
4285075	11	5900193	58
4285086	45	5900198	58
4285092	15	5900205	58
4285097	37	5900209	59
4285099	43	5900210	58
4286006	37	5900213	59
4286025	63, 121	5900214	59
4287001	131	5900216	59
4287100	77, 89	5900217	59
4289000	140	5900221	58
4289001	140	5900222	59
4289002	140	5900233	58
4289003	140	5900234	58
4289004	140	5900237	59
4289005	140	5900247	58
4289007	140	5900248	58
4289008	140	6000003	59
4289009	140	6104103	33
4289010	140	6104215	33, 89
4289011	140	6104216	135
4289012	140	6104218	51
4301263	95	6104219	129, 137
4304092	141	6138107	117
4304194	141	6232092	21
4311071	145	6332009	21
4312063	47	6332010	140
4319001	83, 85, 87, 140	6335002X	43

FoodCenter Parts Manual

Part No.	Page	Part No.	Page
6400002	59	9900437	31, 33, 35, 89, 115, 131, 135
9900003	111	9983778	37
9900019	83, 85, 87, 117	9984165	83, 85, 87, 140
9900020	99, 107, 119	9984516	145
9900021	31, 35, 103	9984627	87
9900032	127	9984629	83, 85
9900035	127	9984630	55
9900046	117	9985042	140
9900072	119	9989042	83, 85, 87
9900078	111	9989047	81
9900081	31, 35, 57, 83, 85, 87, 99, 101, 103, 107, 117	9989100	83, 85, 87
9900090	29, 113	9989110	81
9900098	145	9989336	83, 85, 87
9900115	103	9989560	140
9900120	121	9989576	140
9900152	127, 131	9989577	140
9900158	107	9989631	140
9900164	33, 89, 99, 101, 121, 131	9989673	83, 85
9900167	31	9989685	43
9900171	99	9989687	37
9900173	31, 35	9989706	140
9900174	97, 107	9989712	140
9900203	127	9989718	58, 140
9900204	109	9989755	37
9900207	103, 115	9992400	49
9900409	29, 113, 121	B	
9900412	29, 107, 111, 115	B4280000	142
9900418	29, 111, 119, 127	B4280001	142
9900425	31, 33, 35, 105, 119	B4280002	142
9900431	123	B4280003	143