

Model 427

# FoodKing

## **PARTS MANUAL**

12955 Enterprise Way  
Bridgeton, Missouri 63044-1200  
(314) 298-3500

4270056

Copyright © 3-99



# LIST OF FIGURES

FIGURE ..... PAGE

1.	FoodKing Merchandiser.....	1
2.	Outer Door Assembly.....	2
3.	Trim Panels .....	4
4.	Door Trim .....	6
5.	Face Plate Assembly.....	8
6.	Major Assemblies (Part 1 of 2).....	10
7.	Major Assemblies (Part 2 of 2).....	12
8.	Outer Door Interior .....	14
9.	Door Lock and Handle Assembly .....	16
10.	Monetary Assembly .....	18
11.	Money Box and Housing Assembly.....	20
12.	Shadow Box and Blower Assembly.....	22
13.	Blower Assembly .....	24
14.	Lock Bar Assembly .....	26
15.	Inner Door Exterior.....	28
16.	Inner Door Interior .....	30
17.	Vend Door Solenoid Assembly .....	32
18.	Vend Door .....	34
19.	Base Plate Accessory and Miscellaneous Cabinet Parts .....	36
20.	Switch and Mounting Bracket Assembly.....	38
21.	Inner Door Seals and Gaskets .....	40
22.	Turret Assembly.....	42
23.	Inner Panels .....	44
24.	Light Assembly - Return Air .....	46
25.	Tray Half Assembly .....	48
26.	Power Panel Assembly (U.K./U.S.) .....	50
27.	Power Panel Assembly (France/Germany).....	52
28.	Turret Motor Assembly .....	54
29.	Refrigeration Unit .....	56
30.	Refrigeration Unit Components (Part 1 of 4).....	58
31.	Refrigeration Unit Components (Part 2 of 4).....	60
32.	Refrigeration Unit Components (Part 3 of 4).....	62
33.	Refrigeration Unit Components (Part 4 of 4).....	64
34.	Cabinet Components - Rear .....	66
35.	Wiring Harnesses .....	68

# LIST OF TABLES

TABLE		PAGE
1.	FoodKing Merchandiser.....	1
2.	Outer Door Assembly.....	3
3.	Trim Panels.....	5
4.	Door Trim.....	7
5.	Face Plate Assembly.....	9
6.	Major Assemblies (Part 1 of 2).....	11
7.	Major Assemblies (Part 2 of 2).....	13
8.	Outer Door Interior.....	15
9.	Door Lock and Handle Assembly.....	17
10.	Monetary Assembly.....	19
11.	Money Box and Housing Assembly.....	21
12.	Shadow Box and Blower Assembly.....	23
13.	Blower Assembly.....	25
14.	Lock Bar Assembly.....	27
15.	Inner Door Exterior.....	29
16.	Inner Door Interior.....	31
17.	Vend Door Solenoid Assembly.....	33
18.	Vend Door.....	35
19.	Base Plate Accessory and Miscellaneous Cabinet Parts.....	37
20.	Switch and Mounting Bracket Assembly.....	39
21.	Inner Door Seals and Gaskets.....	41
22.	Turret Assembly.....	43
23.	Inner Panels.....	45
24.	Light Assembly - Return Air.....	47
25.	Tray Half Assembly.....	49
26.	Power Panel Assembly (U.K./U.S.).....	51
27.	Power Panel Assembly (France/Germany).....	53
28.	Turret Motor Assembly.....	55
29.	Refrigeration Unit.....	57
30.	Refrigeration Unit Components (Part 1 of 4).....	59
31.	Refrigeration Unit Components (Part 2 of 4).....	61
32.	Refrigeration Unit Components (Part 3 of 4).....	63
33.	Refrigeration Unit Components (Part 4 of 4).....	65
34.	Cabinet Components - Rear.....	67
36.	Miscellaneous Harnesses (not shown).....	74
37.	Bag Assembly - U.S. - B4270000.....	74
38.	Bag Assembly - U.K. - B4270003.....	74
39.	Bag Assembly - France - B4270001.....	75
40.	Bag Assembly - Germany - B4270002.....	75

TABLE 1. FOODKING MERCHANDISER

INDEX	PART NUMBER	DESCRIPTION	QTY.
1	4270025	LABEL - LOCATE FOOD HERE	8
2	4273104	EXTRUSION COVER ASSEMBLY	1
3	4270814	BASE PLATE ACCESSORY	OPT.
4	4271085	FOAM CABINET ASSEMBLY - FOODKING	1

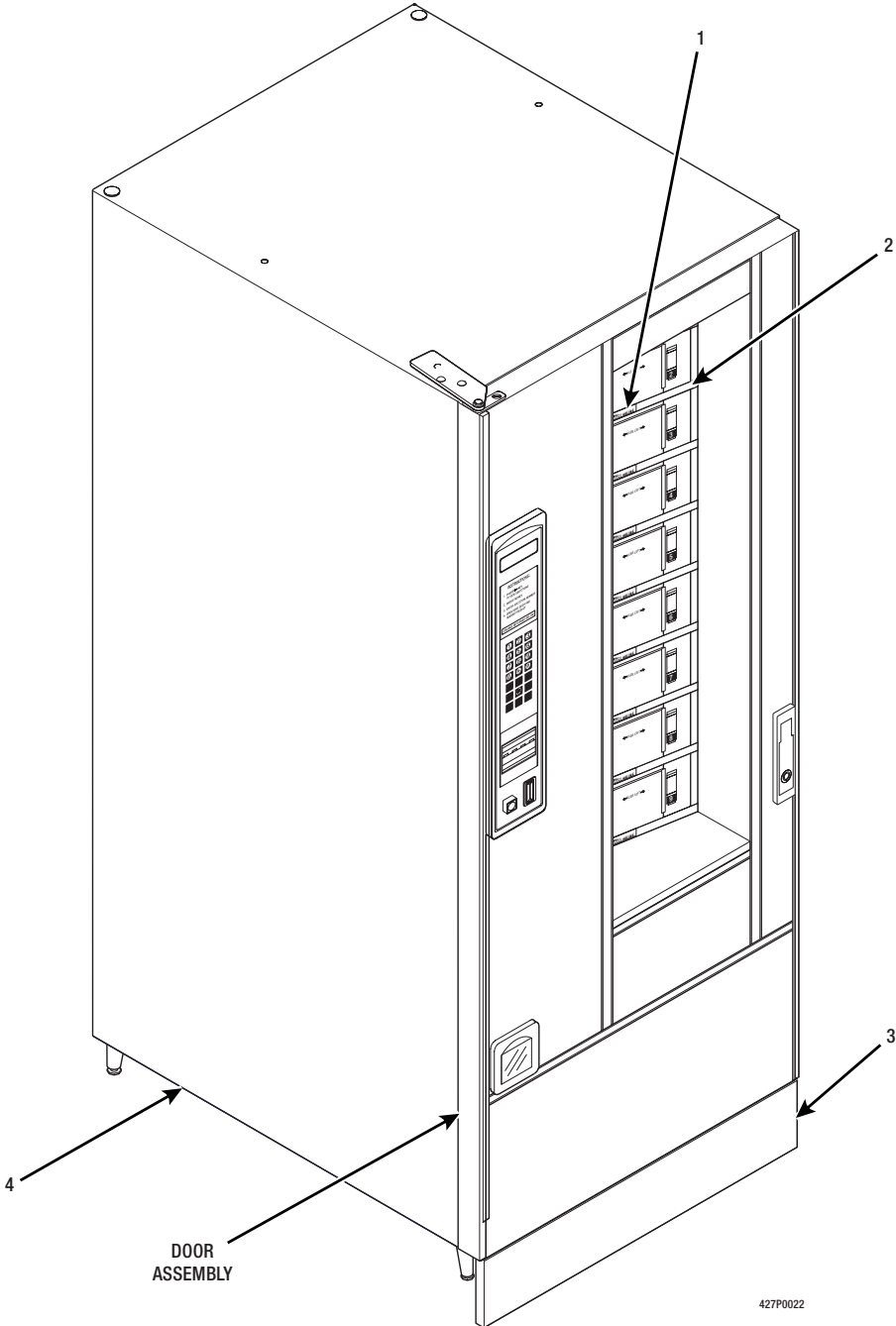
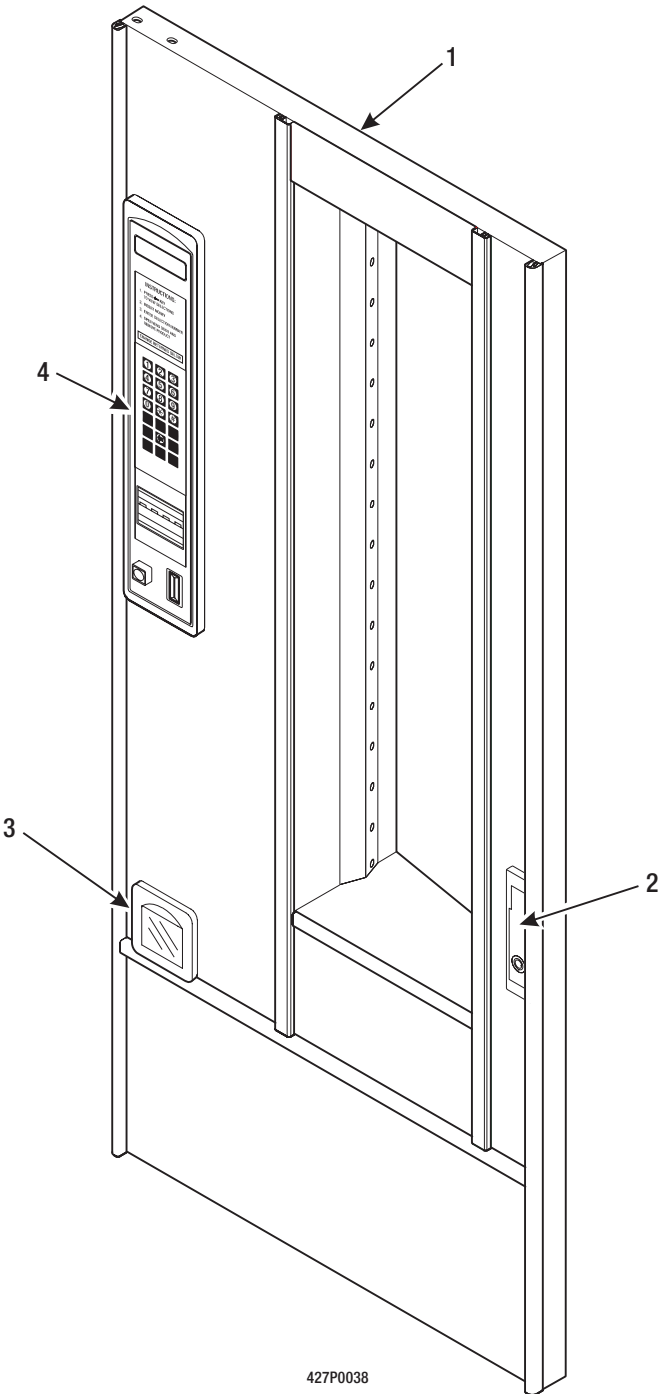


Figure 1. FoodKing Merchandiser



427P0038

Figure 2. Outer Door Assembly

TABLE 2. OUTER DOOR ASSEMBLY

INDEX	PART NUMBER	DESCRIPTION	QTY.
1	4272000	DOOR ASSEMBLY - COMMON	1
	4270812	DOOR ASSEMBLY - GENERATION	
2	-	DOOR LOCK (SEE FIGURE 9 FOR DETAILS)	1
3	1572010	CUP - COIN RETURN (SEE FIGURE 8 FOR DETAILS)	1
4	-	MONETARY ASSEMBLY (SEE FIGURE 10 FOR DETAILS)	1

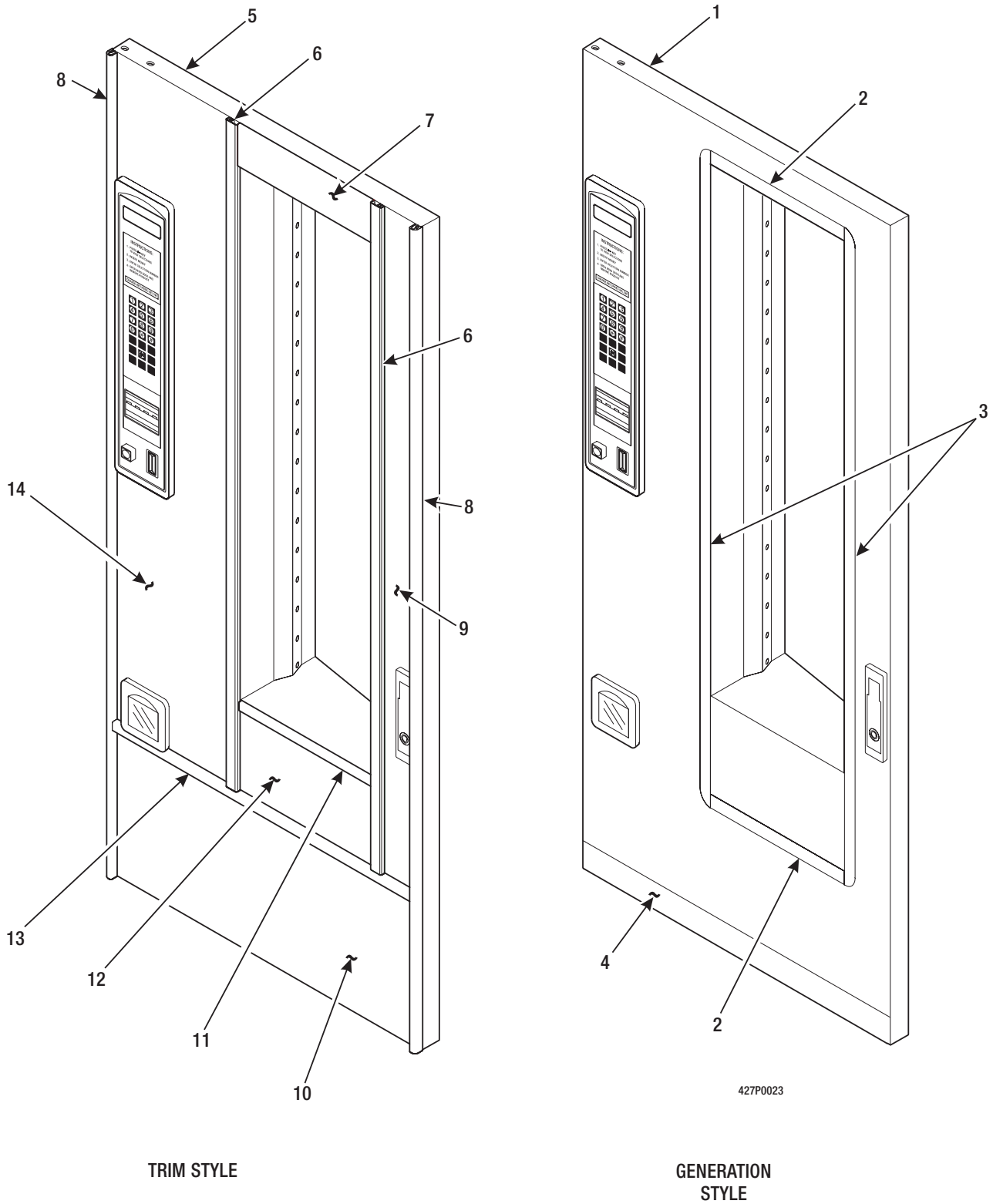


Figure 3. Trim Panels



**TABLE 3. TRIM PANELS**

INDEX	PART NUMBER	DESCRIPTION	
1	4270812	DOOR - GPL GENERATION (INCLUDES ITEM NUMBERS 2 - 4)	OPT.
2	4272054	DECAL - TRIM - HORIZONTAL - 12.41" (GPL)	2
3	1592063	DECAL - TRIM - VERTICAL - 52.52" (GPL)	2
4	4272055	DECAL - TRIM - HORIZONTAL - BOTTOM - 28.2" (GPL)	1
5	4272000	DOOR ASSEMBLY - COMMON (INCLUDES ITEM NUMBERS 6-14)	OPT.
6	1592031	TRIM - DOOR - INSIDE - CLEAR	1
	1592068	TRIM - DOOR - INSIDE - BLACK	
7	4272031	PANEL - HORIZONTAL TRIM - MEDIUM GRAY	1
8	1592032	TRIM - DOOR - SIDE - CLEAR	1
	1592069	TRIM - DOOR - SIDE - BLACK	
9	4272033	PANEL - R.H. TRIM - LIGHT GRAY	1
10	4272035	PANEL - LOWER HORIZONTAL - CLEAR	1
11	4272028	TRIM - DOOR - HORIZONTAL - CLEAR	1
	4272068	TRIM - DOOR - HORIZONTAL - BLACK	
12	4272039	PANEL - LOWER - MIDDLE - LIGHT GRAY	1
13	4272040	TRIM - DOOR - HORIZONTAL - CLEAR	1
	4272069	TRIM - DOOR - HORIZONTAL - BLACK	
14	4272037	PANEL - L.H. TRIM - LIGHT GRAY	1

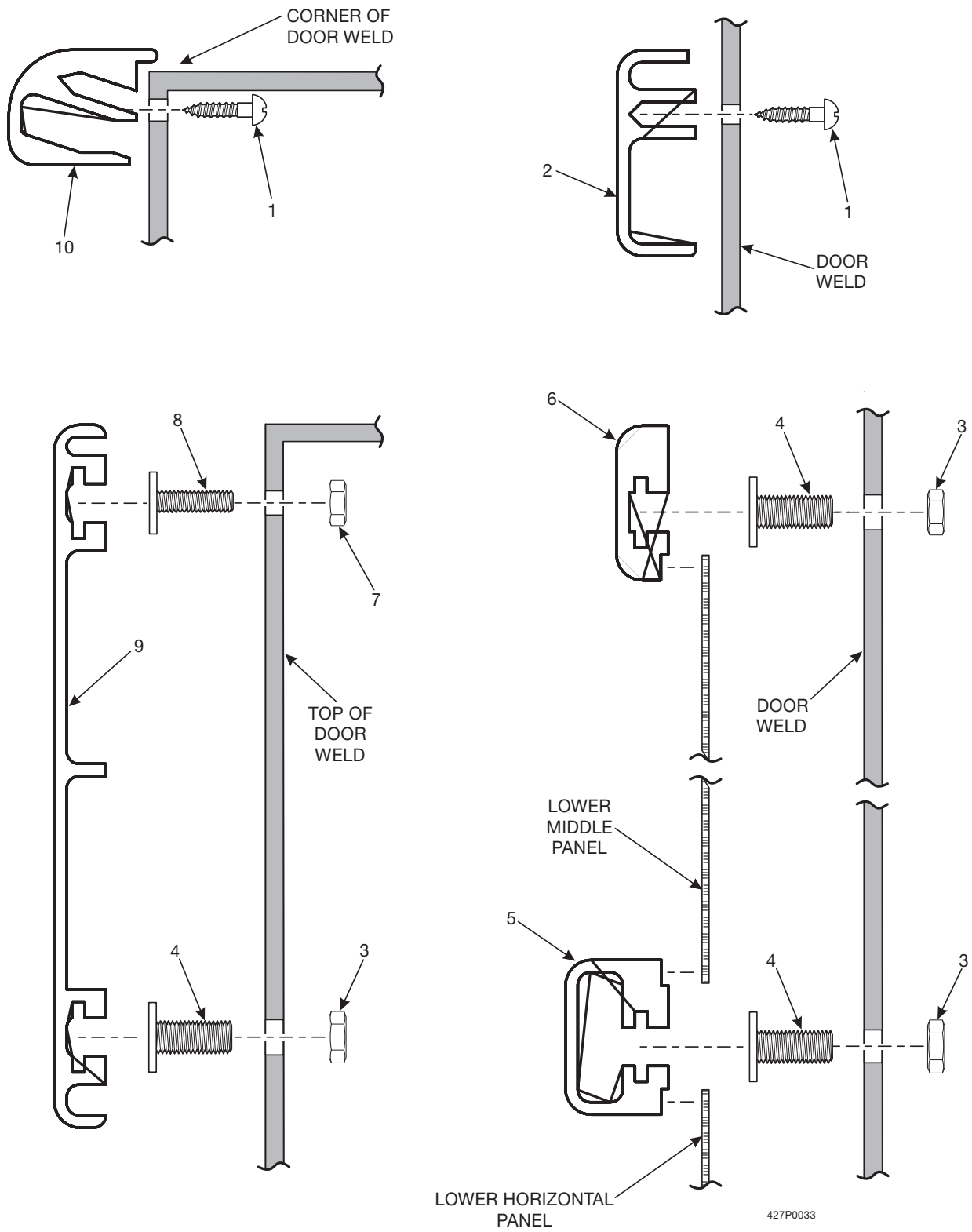


Figure 4. Door Trim

**TABLE 4. DOOR TRIM**

	<b>PART NUMBER</b>	<b>DESCRIPTION</b>	
1	G1472028	SCREW - #6 X .38 SHEET METAL	32
2	1592031	TRIM - DOOR - INSIDE - CLEAR	2
	1592068	TRIM - DOOR - INSIDE - BLACK	
3	9900081	NUT - #8-32 KEPS ZINC PLATE	15
4	2222110	T BOLT TRIM	15
5	4272040	TRIM - DOOR - HORIZONTAL - CLEAR	1
	4272069	TRIM - DOOR - HORIZONTAL - BLACK	
6	1592068	TRIM - DOOR - INSIDE - BLACK	2
	1592031	TRIM - DOOR - INSIDE - CLEAR	
	1592077	TRIM - DOOR - INSIDE - KLIX GRAY (POLYVEND ONLY)	
	4272068	TRIM - DOOR - HORIZONTAL - BLACK	1
	4272028	TRIM - DOOR - HORIZONTAL - CLEAR	
	4272089	TRIM - DOOR - HORIZONTAL - KLIX GRAY (POLYVEND ONLY)	
	4272091	TRIM - DOOR - HORIZONTAL - KLIX GRAY (POLYVEND ONLY)	
7	9900078	NUT - #6-32 KEPS ZINC PLATE	3
8	1572060	TEE BOLT - TRIM - #6-32 X 3/8	3
9	4272031	PANEL - HORIZONTAL TRIM - MEDIUM GRAY	1
10	1592032	TRIM - DOOR - SIDE - CLEAR	1
	1592069	TRIM - DOOR - SIDE - BLACK	
		1592078	TRIM - DOOR - SIDE - KLIX GRAY (POLYVEND ONLY)

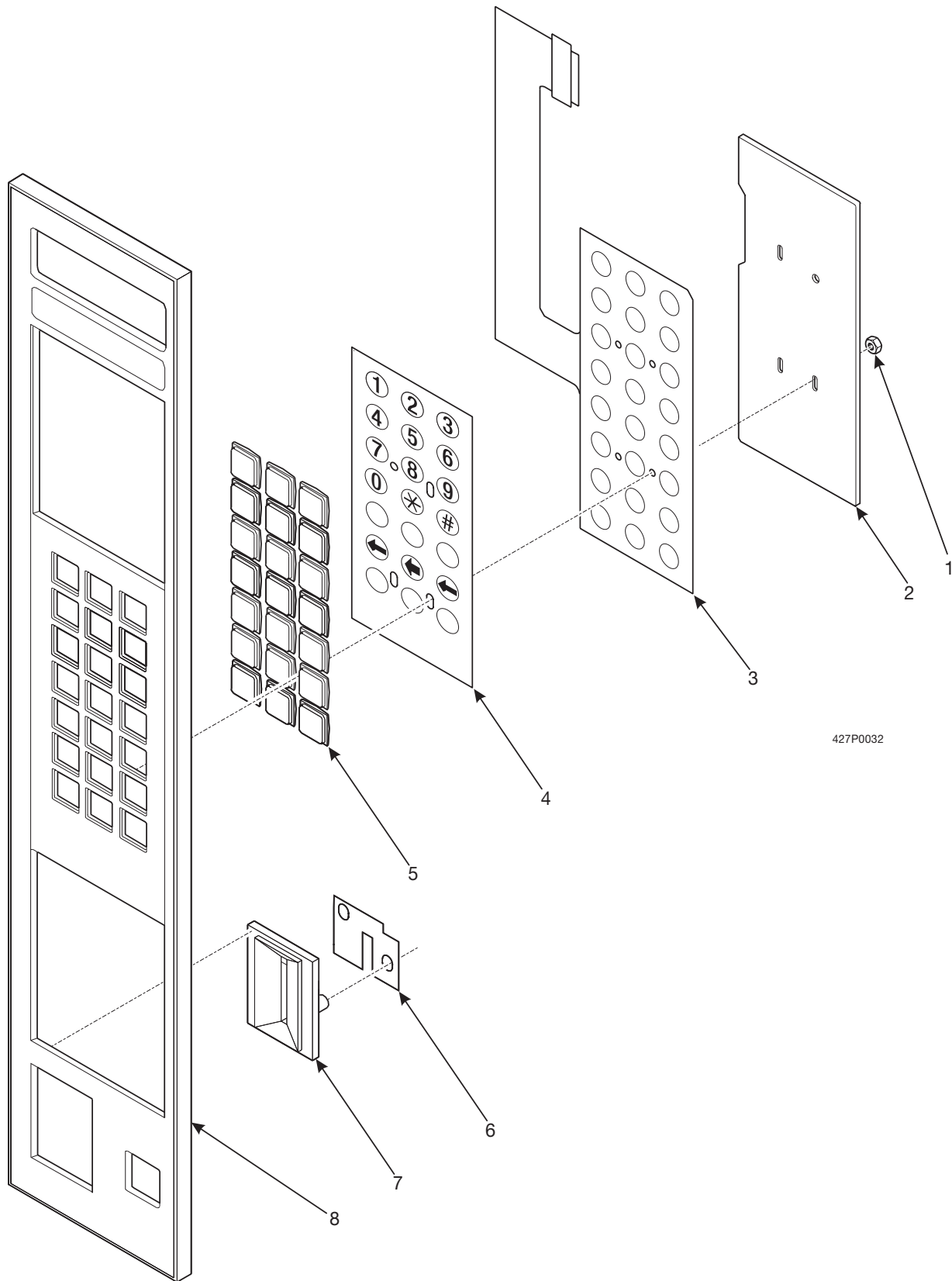


Figure 5. Face Plate Assembly

**TABLE 5. FACE PLATE ASSEMBLY**

INDEX	PART NUMBER	DESCRIPTION	QTY.
-	4275017	FACE PLATE ASSEMBLY - GPL - (U.S.)	1
	4275018	FACE PLATE ASSEMBLY - GPL - (FR./GER./U.K.)	
	4275019	FACEPLATE ASSEMBLY - POLYVEND	
1	1475089	1/8 NUT - SELF-THREADING	4
2	1575009	PLATE - SELECT SWITCH - BACK UP	1
3	9984621	MEMBRANE SWITCH ASSEMBLY - SELECT	1
4	4270017	LETTER SHEET - SELECT SWITCH	1
5	1472251	LENS - PUSH BUTTON	1
6	1472222	COIN BLOCK (U.S. ONLY)	1
7	1472223	COIN INSERT	1
8	1595013	FRAME - MONETARY PANEL - GPL	1
	4525002	FACEPLATE - MONETARY PANEL - POLYVEND	

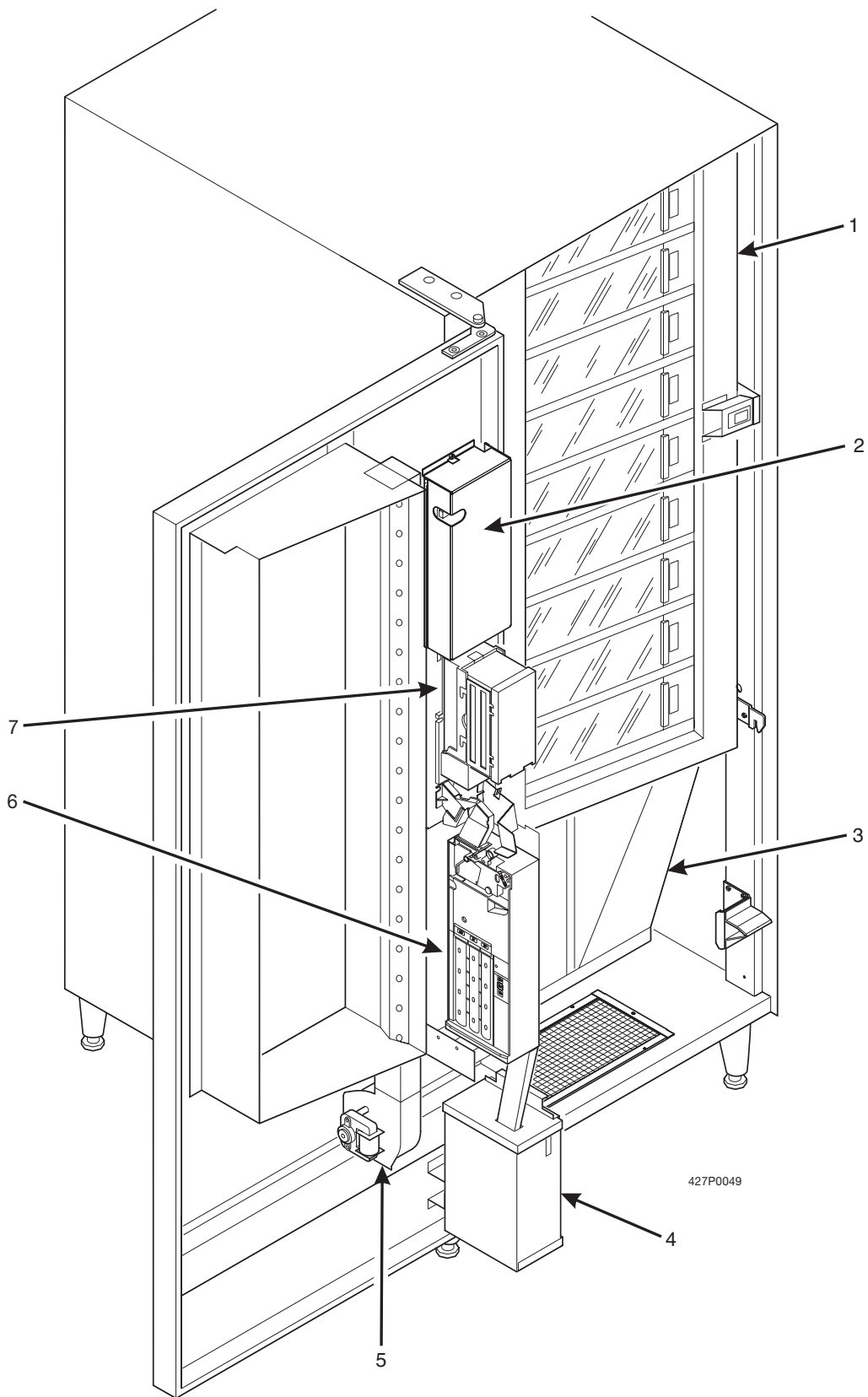
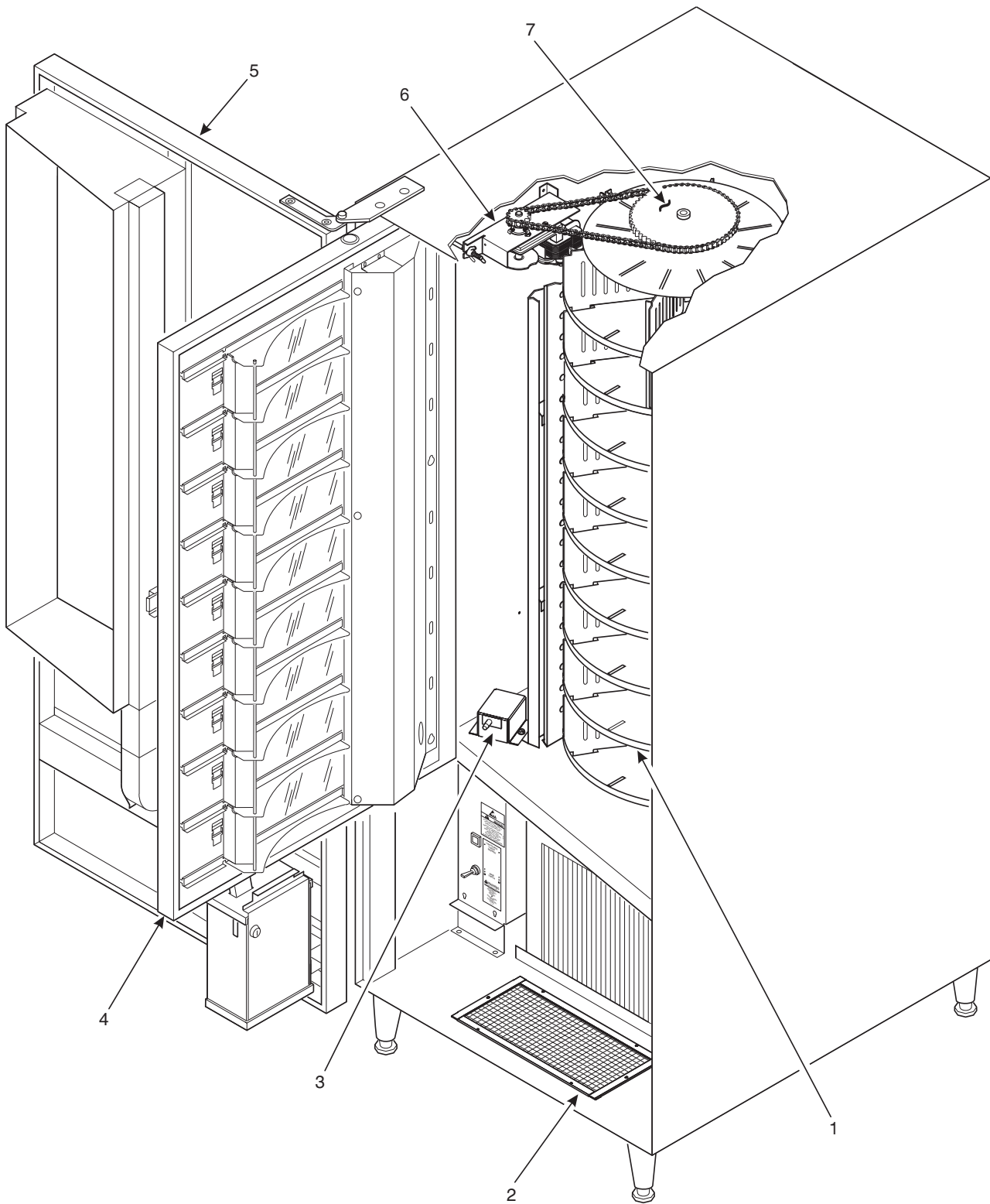


Figure 6. Major Assemblies (Part 1 of 2)

**TABLE 6. MAJOR ASSEMBLIES (PART 1 OF 2)**

INDEX	PART NUMBER	DESCRIPTION	QTY.
1	4273000	INNER DOOR ASSEMBLY (SEE FIGURE 15 FOR DETAILS)	1
2	4276000	MAIN CONTROL PCB WITH EPROM (SEE FIGURE 10 FOR DETAILS)	1
3	-	REFRIGERATION UNIT (SEE FIGURE 29 FOR DETAILS)	1
4	4271031	MONEY BOX ASSEMBLY (SEE FIGURE 11 FOR DETAILS)	1
5	-	BLOWER AND MOUNTING ASSEMBLY (SEE FIGURE 13 FOR DETAILS)	1
<b>COIN MECHANISM OPTIONS (U.S.)</b>			
6	6400804	MARS TRC6010 - XV	OPT.
	6400805	COINCO 9302-LF	
	2570810	MARS TRC6510 "MDB"	
	2570811	COINCO 9302-GX "MDB"	
	2570812	CONLUX USLZ-001 "MDB"	
	1570993	TRC6510/VN2512 C&V PK "MDB"	
	1570994	USLZ-001/MKA2162 C&V PK "MDB"	
	1570995	9302-GX/BA30 C&V PK "MDB"	
	5900214	MARS - VN4510 - MDB	
	5900217	MARS - VN4010XV - 24V	
	2570814	CONLUX USLX00401F	
	4270851	9302-LF & BA30 "MDB" C&V PKG	
	2570815	CONLUX USLX-001 120V	
<b>BILL VALIDATOR OPTIONS (U.S.)</b>			
7	4270840	NO VALIDATOR - DOMESTIC	OPT.
	4270841	COINCO BA30 "MDB" (VALIDATOR INCLUDED)	
	4270842	COINCO BA30 "MDB" (VALIDATOR NOT INCLUDED)	
	4270843	MARS VN2512-75M "MDB" (VALIDATOR INCLUDED)	
	4270844	MARS VN2512-75M "MDB" (VALIDATOR NOT INCLUDED)	
	4270845	CONLUX MKA2162 "MDB" (VALIDATOR INCLUDED)	
	4270846	CONLUX MKA2162 "MDB" (VALIDATOR NOT INCLUDED)	
	4270852	COINCO BA32SA "MDB" (VALIDATOR INCLUDED)	
	4270853	COINCO BA32SA "MDB" (VALIDATOR NOT INCLUDED)	



427p0048

Figure 7. Major Assemblies (Part 2 of 2)



**TABLE 7. MAJOR ASSEMBLIES (PART 2 OF 2)**

	<b>PART NUMBER</b>	<b>DESCRIPTION</b>	
1	4277000	TURRET ASSEMBLY (SEE FIGURE 22 FOR DETAILS)	1
2	4271066	SCREEN ASSEMBLY	1
3	-	SWITCH AND MOUNTING BRACKET ASSEMBLY (SEE FIGURE 20 FOR DETAILS)	1
4	4273000	INNER DOOR ASSEMBLY (SEE FIGURE 15 FOR DETAILS)	1
5	4272000	DOOR ASSEMBLY - COMMON (SEE FIGURE 2 FOR DETAILS)	1
	4270812	DOOR - GPL GENERATION (SEE FIGURE 2 FOR DETAILS)	
6	-	TURRET MOTOR ASSEMBLY - 115 V (SEE FIGURE 28 FOR DETAILS)	1
		TURRET MOTOR ASSEMBLY - 230 V (SEE FIGURE 28 FOR DETAILS)	
7	4277039	COLUMN ASSEMBLY (SEE FIGURE 22 FOR DETAILS)	1

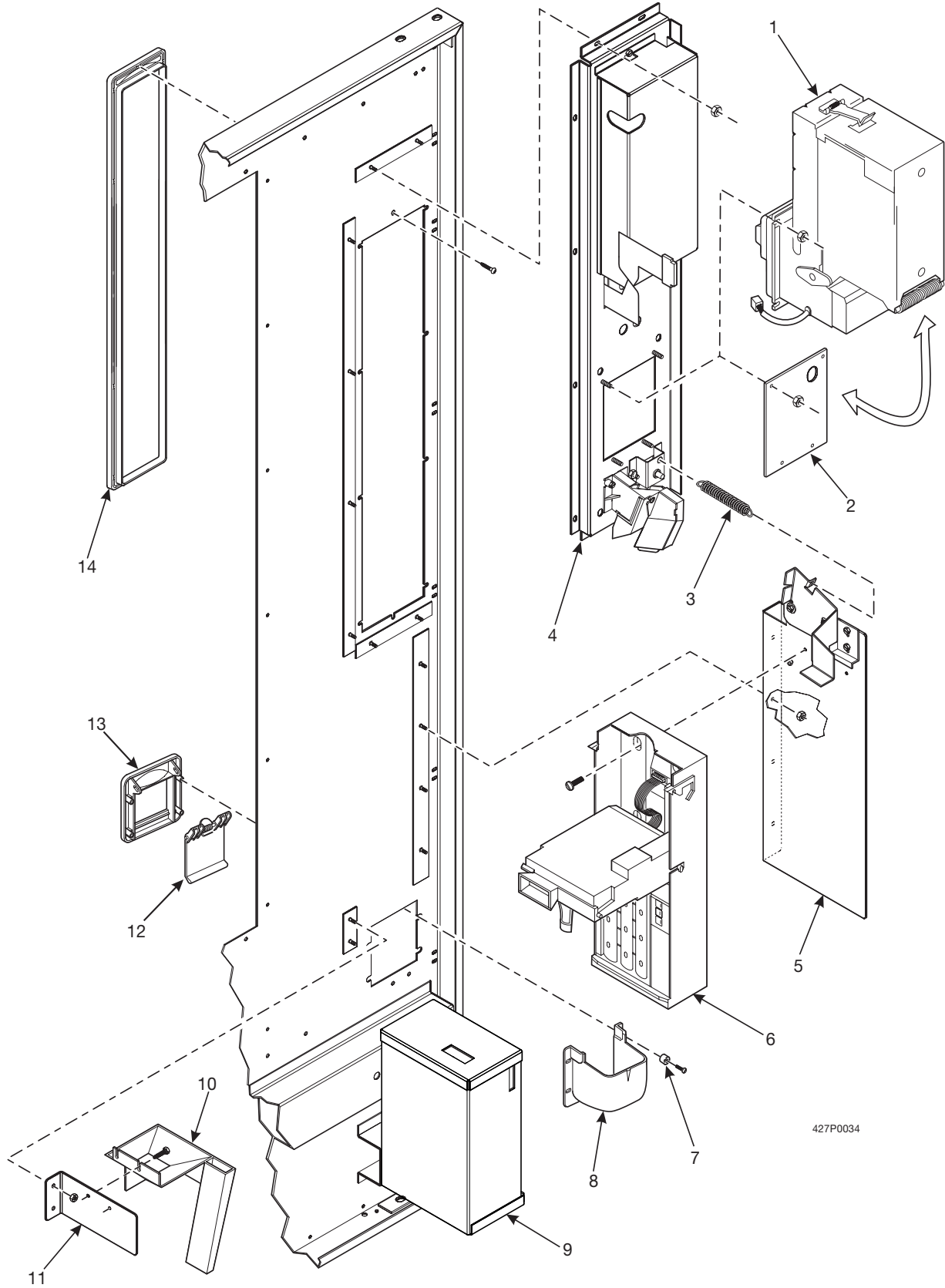


Figure 8. Outer Door Interior

**TABLE 8. OUTER DOOR INTERIOR**

INDEX	PART NUMBER	DESCRIPTION	QTY.
1	-	BILL VALIDATOR (SEE TABLE 6 FOR DETAILS)	OPT.
2	1575048	PLATE - INSERT BACKING	OPT.
3	1127808	SPRING - SHELF RESET	1
4	-	MONETARY ASSEMBLY (SEE FIGURE 10 FOR DETAILS)	1
5	4275002	MOUNTING - CHANGER	1
6	-	COIN MECHANISM (SEE FIGURE 6 FOR DETAILS)	OPT.
7	2302053	SPACER - CUP	4
8	1572010	CUP - COIN RETURN	1
9	-	MONEY BOX AND HOUSING ASSEMBLY (SEE FIGURE 11 FOR DETAILS)	1
10	6231242	CHUTE - PAYOUT	1
11	4275001	MOUNT - PAYOUT CHUTE	1
12	4245082	GATE - COIN RETURN	1
	4245083	SPRING - COIN RETURN DOOR	1
	4245084	SHAFT - DOOR - COIN RETURN	1
13	1572011	TRIM - COIN CUP - BLACK	1
14	1575047	CASTING - MONETARY FRAME - BLACK	1

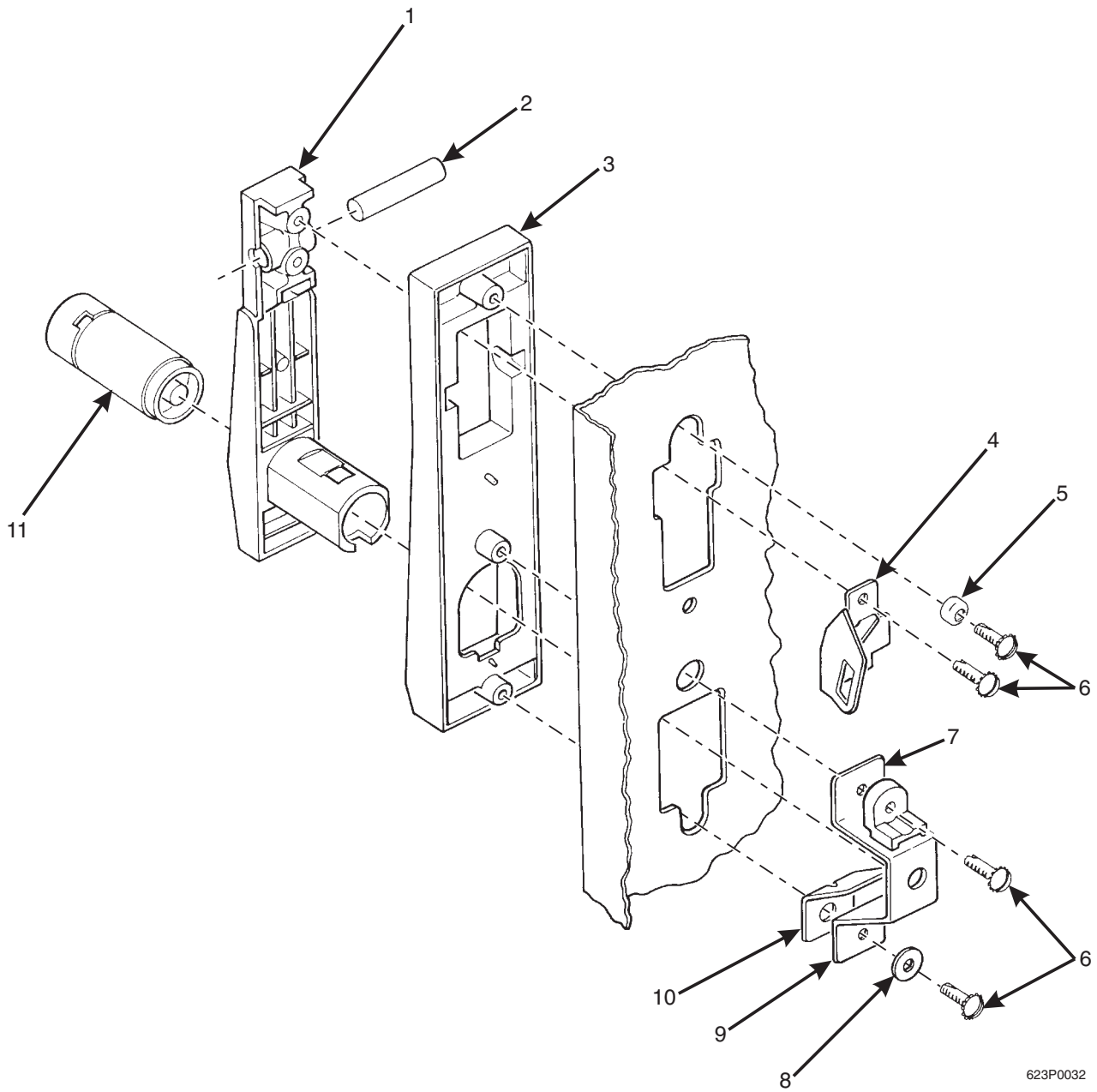


Figure 9. Door Lock and Handle Assembly

**TABLE 9. DOOR LOCK AND HANDLE ASSEMBLY**

INDEX	PART NUMBER	DESCRIPTION	QTY.
1	1172190	LEVER - LOCK	1
2	1302291	PIVOT - LEVER LOCK	1
3	1172191	BASE - LEVER LOCK	1
4	2272052	ACTUATOR ASSEMBLY - LOCK BAR	1
5	1302289	CUP SPACER	2
6	1217161	SCREW, #10-32 X 1/2 RHS W/LW	5
7	1302326	SHIELD - LATCH	1
8	9900121	WASHER - STEEL - 7/16 X .203 X .032	1
9	1302324	CATCH - DOOR LATCH	1
10	1302290	LATCH - LOCK LOWER	1
11	9992400	CYLINDER - LOCK	OPT.
	3112163	VAN LOCK	
-	3112164	KEY (NOT SHOWN)	OPT.
		VAN LOCK APPLICATION (NOT SHOWN)	

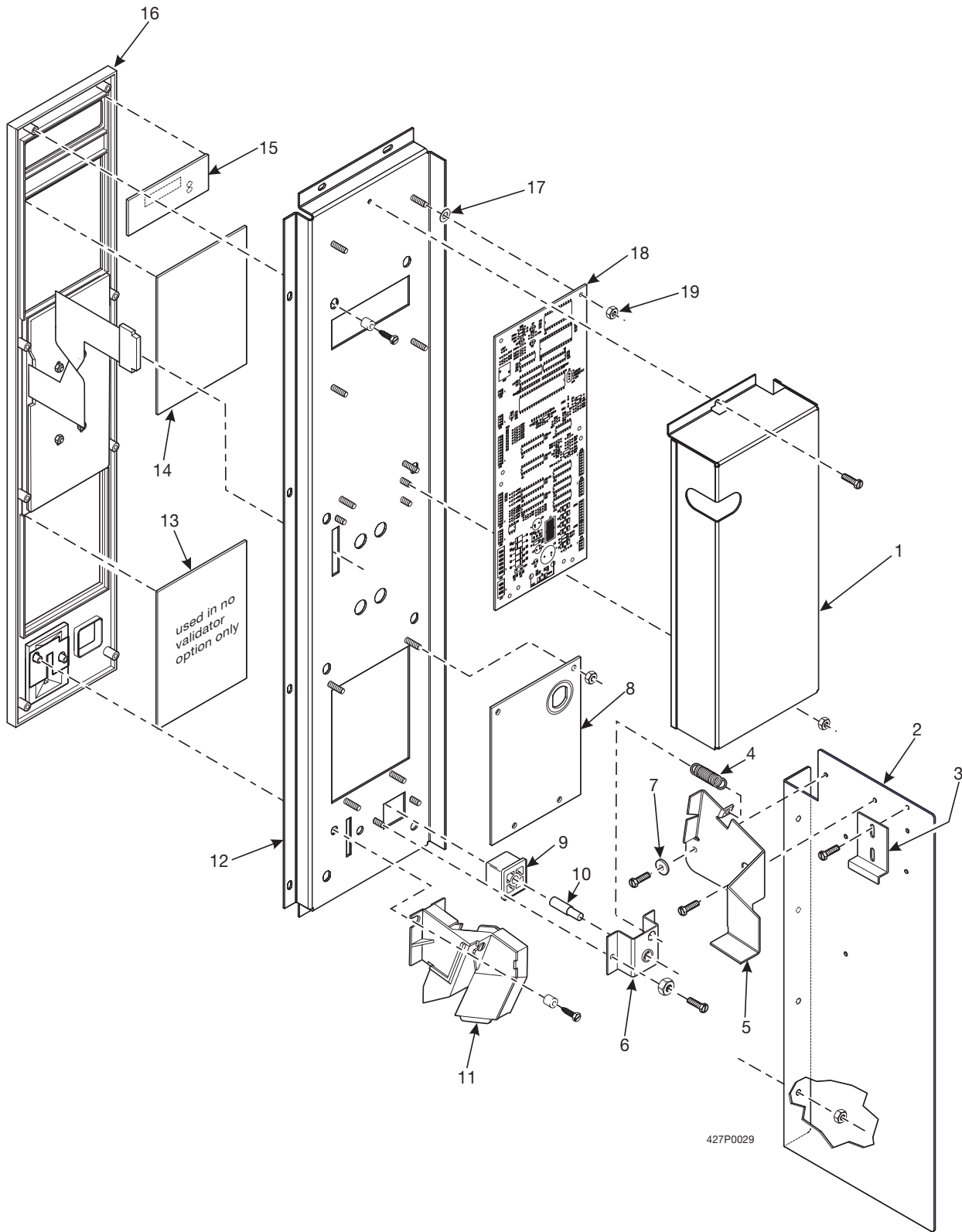


Figure 10. Monetary Assembly

**TABLE 10. MONETARY ASSEMBLY**

NDEX	PART NUMBER	DESCRIPTION	QTY.
1	4272066	COVER - CONTROL/INTERFACE PCB	1
2	4275002	MOUNTING - CHANGER	1
3	6231037	CLAMP - CABLE	1
4	1127808	SPRING - SHELF RESET	1
5	1571113	ARM - SCAVENGER	2
6	1571079	BRACKET - COIN RETURN BUTTON	5
7	2204093	WASHER - SCAVENGER BAR	1
8	1575048	PLATE - INSERT BACKING	1
9	1475026	BUTTON - COIN RETURN	1
10	1475072	SHAFT - RETURN BUTTON	1
11	1575003	COIN CHUTE ASSEMBLY	1
12	4275007	PLATE ASSEMBLY - MONETARY (U.S.)	1
	4275013	MONETARY PLATE ASSEMBLY (FR./GER./U.K.)	
13	1575035	INSERT - INSTRUCTIONS - LOWER (U.K./U.S.)	1
	1575037	INSERT - INSTRUCTIONS - LOWER (FR.)	
	1575038	INSERT - INSTRUCTIONS - LOWER (GER.)	
14	4275006	INSERT - INSTRUCTIONS (U.K./U.S.)	1
	4275011	INSERT - INSTRUCTIONS (FR.)	
	4275012	INSERT - INSTRUCTIONS (GER.)	
15	4272003	LENS - DISPLAY (U.K./U.S.)	1
	4275080	LENS - DISPLAY (FR.)	
	4272081	LENS - DISPLAY (GER.)	
16	-	FACE PLATE ASSEMBLY (SEE FIGURE 5 FOR DETAILS)	1
17	5305318	WASHER - .257 X .50 X .062	6
18	4276000	MAIN CONTROL PCB WITH EPROM	1
19	9900081	NUT - #8-32 KEPS ZINC PLATE	1

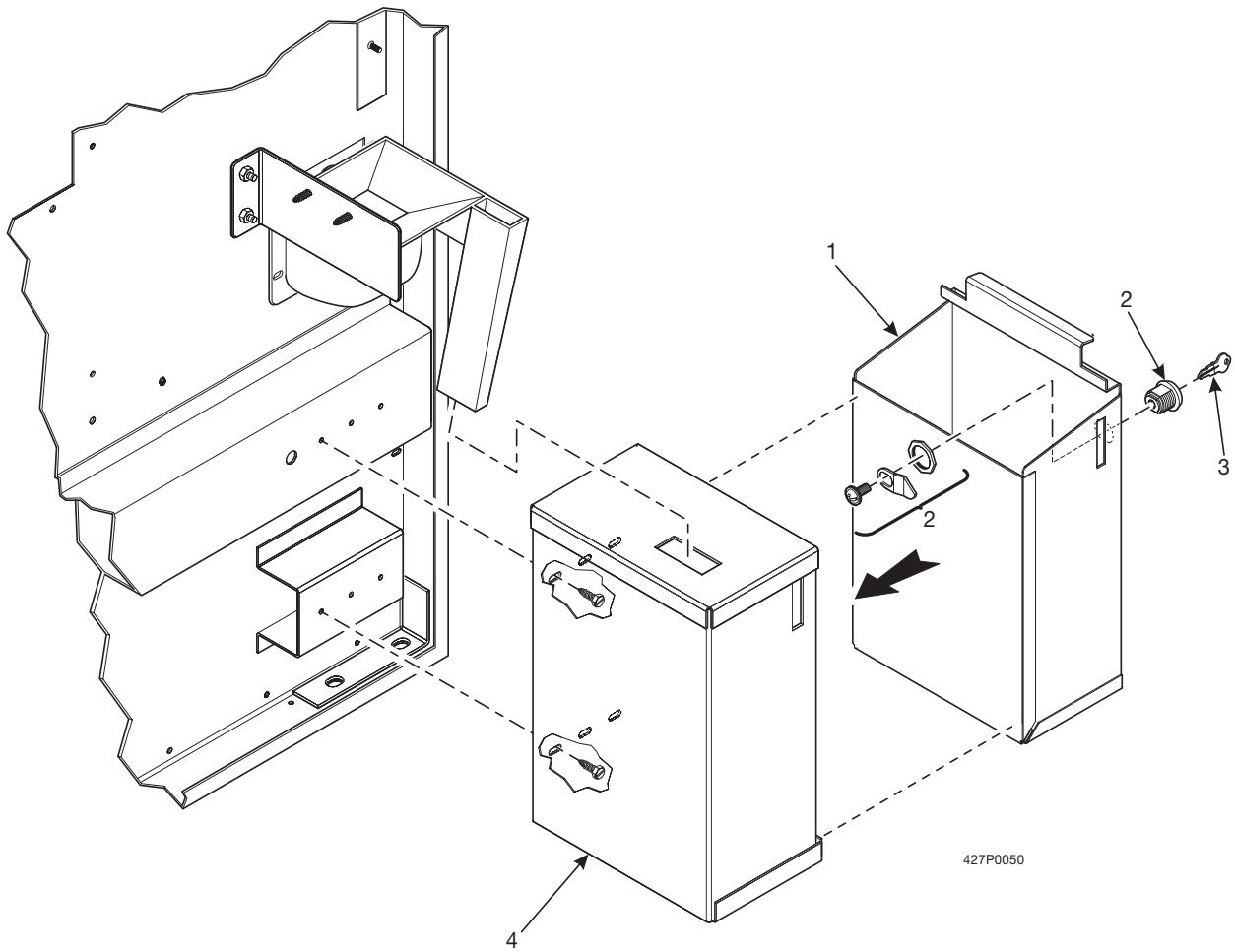


Figure 11. Money Box and Housing Assembly



TABLE 11. MONEY BOX AND HOUSING ASSEMBLY

INDEX	PART NUMBER	DESCRIPTION	QTY.
1	4271031	MONEY BOX ASSEMBLY	1
2	4520864	MONEY BOX LOCK	1
3	4521035	KEY - MSU - 48, #352-48	1
4	4275005	COIN BOX HOUSING ASSEMBLY	1

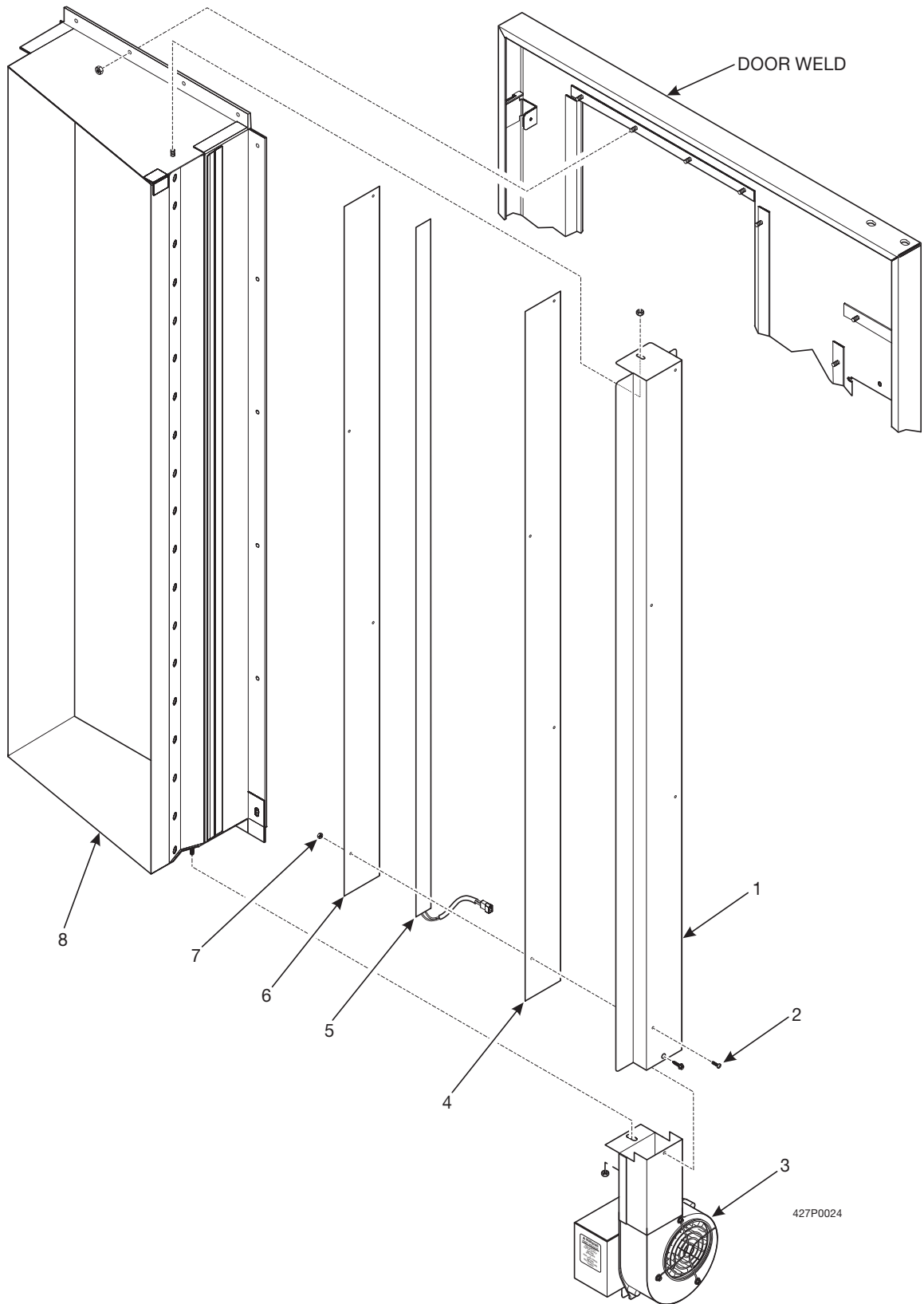


Figure 12. Shadow Box and Blower Assembly

TABLE 12. SHADOW BOX AND BLOWER ASSEMBLY

INDEX	PART NUMBER	DESCRIPTION	QTY.
-	4272057	AIR CHUTE ASSEMBLY - 115V (U.S.)	1
	4272078	AIR CHUTE ASSEMBLY - 230V (FR./GER./U.K.)	
1	4272061	CHUTE - AIR - SHADOW BOX	1
2	6106341	SCREW - #4 40 X 3/8 RHS	-
3	4272058	BLOWER & MOUNTING ASSEMBLY (U.S.) (SEE FIGURE 13 FOR DETAILS)	1
	4272079	BLOWER & MOUNTING ASSEMBLY - 230V (FR./GER./U.K.) (SEE FIGURE 13 FOR DETAILS)	
4	4272059	CORK - DOUBLE COATED	3
5	4272052	HEATER - 115V - 125W (U.S.)	1
	4272053	HEATER - 230V- 125W (FR./GER./U.K.)	
6	4272015	HEAT SINK	1
7	1217159	NUT - 4-40 KEPS W/EXT L/WAS H ZP	-
8	4272070	WELD ASSEMBLY - SHADOW BOX	1

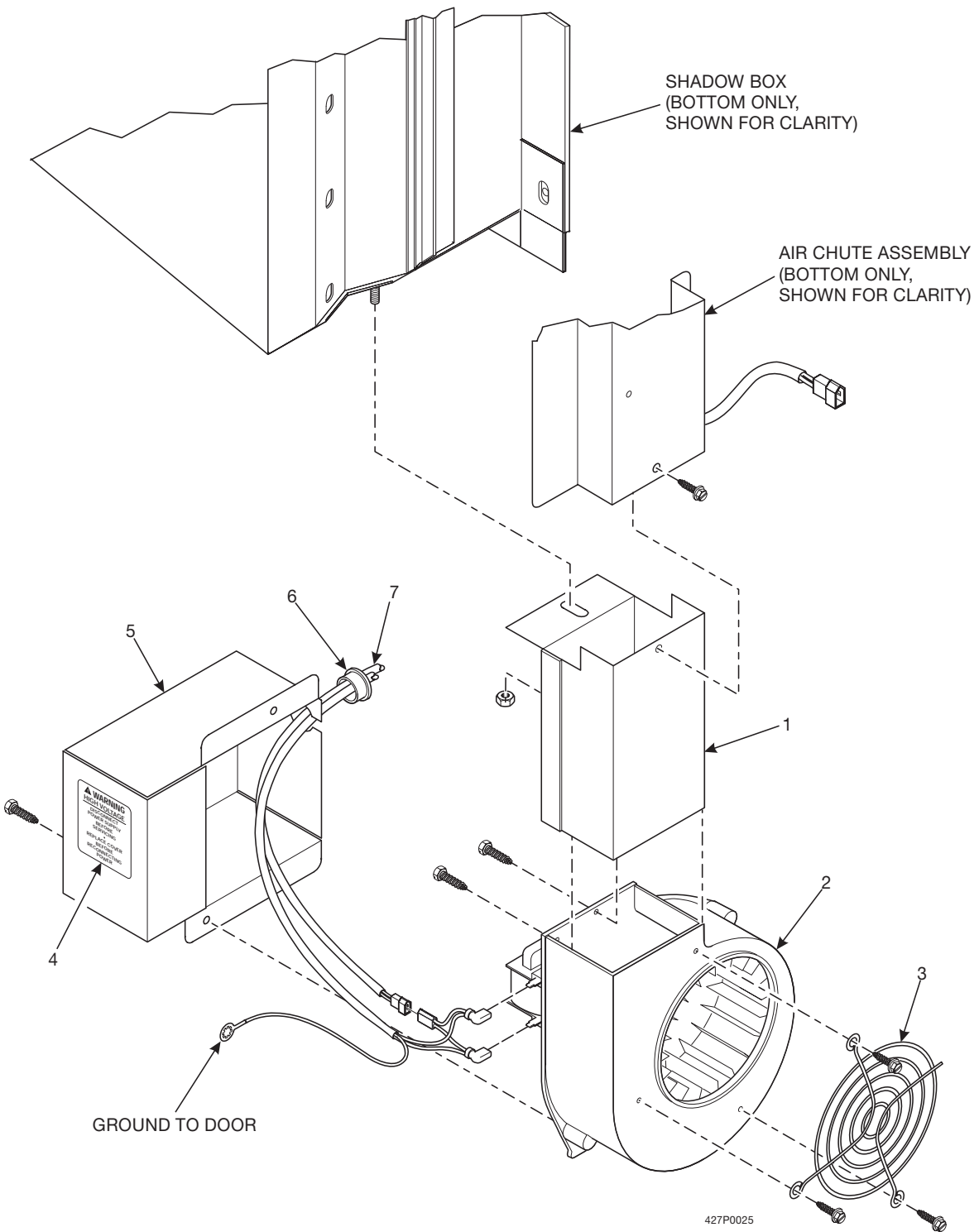


Figure 13. Blower Assembly

**TABLE 13. BLOWER ASSEMBLY**

	PART NUMBER	DESCRIPTION	
-	4272058	BLOWER AND MOUNTING ASSEMBLY (U.S.)	1
	4272079	BLOWER AND MOUNTING ASSEMBLY - 230V (FR./GER./U.K.)	
1	4272083	BLOWER MOUNT ASSEMBLY	1
2	4302556	BLOWER ASSEMBLY - 115V (U.S.)	1
	4312051	BLOWER ASSEMBLY - 230V (FR./GER./U.K.)	
3	4272002	GUARD - BLOWER FAN	1
4	6231189	LABEL - WARNING - HIGH VOLTAGE (U.K./U.S.)	1
	6231229	LABEL - WARNING - HIGH VOLTAGE (FR.)	
	6231216	LABEL - WARNING - HIGH VOLTAGE (GER.)	
5	4271098	COVER - MOTOR	1
6	4271057	BUSHING - 1.0" - OPEN/CLOSED	1
7	4279014	HARNESS - DOOR FAN	1

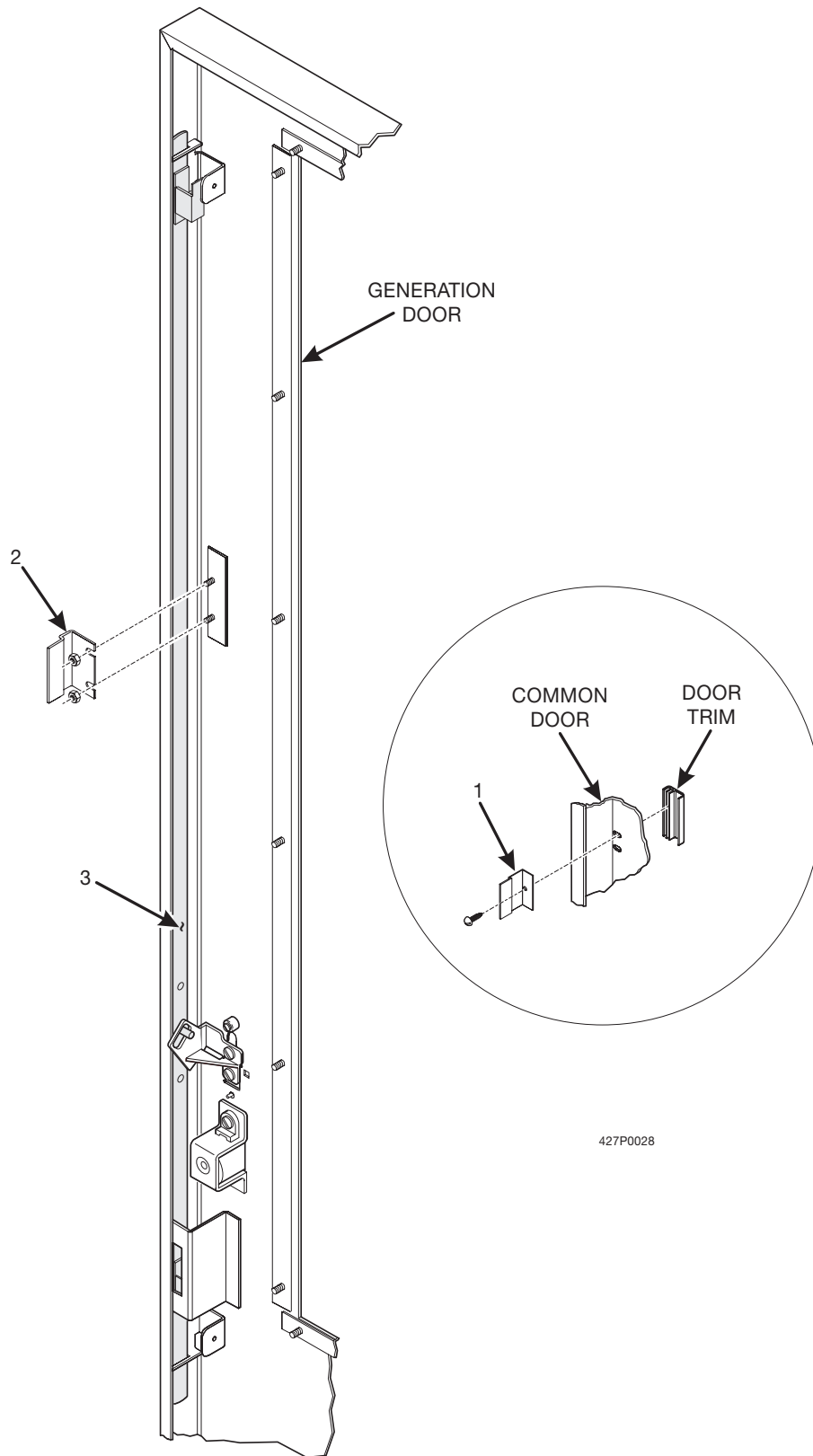


Figure 14. Lock Bar Assembly

TABLE 14. LOCK BAR ASSEMBLY

INDEX	PART NUMBER	DESCRIPTION	QTY.
1	1472250	GUIDE - LOCK BAR (COMMON DOOR ONLY)	1
2	4272065	GUIDE - LOCK BAR (GENERATION DOOR ONLY)	1
3	1472179	LATCH & LOCK BAR ASSEMBLY	1

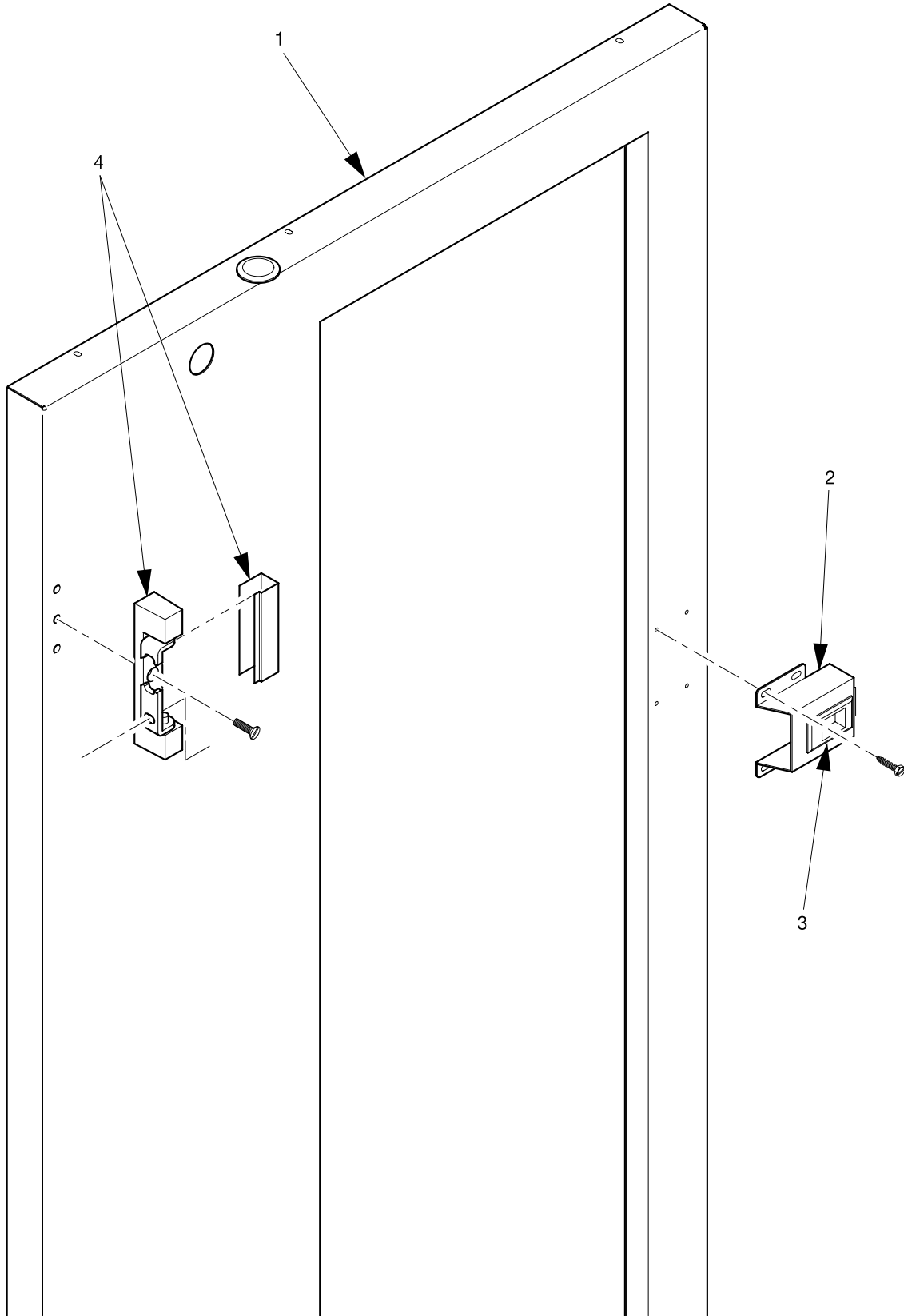


Figure 15. Inner Door Exterior

427p0031



TABLE 15. INNER DOOR EXTERIOR

INDEX	PART NUMBER	DESCRIPTION	QTY.
1	4273062	INNER DOOR ASSEMBLY - FOAMED	1
2	4273081	BRACKET - LATCH MOUNTING	1
3	4273039	LATCH - COLD FOOD DOOR	1
4	4273006	HINGE - INNER DOOR	2

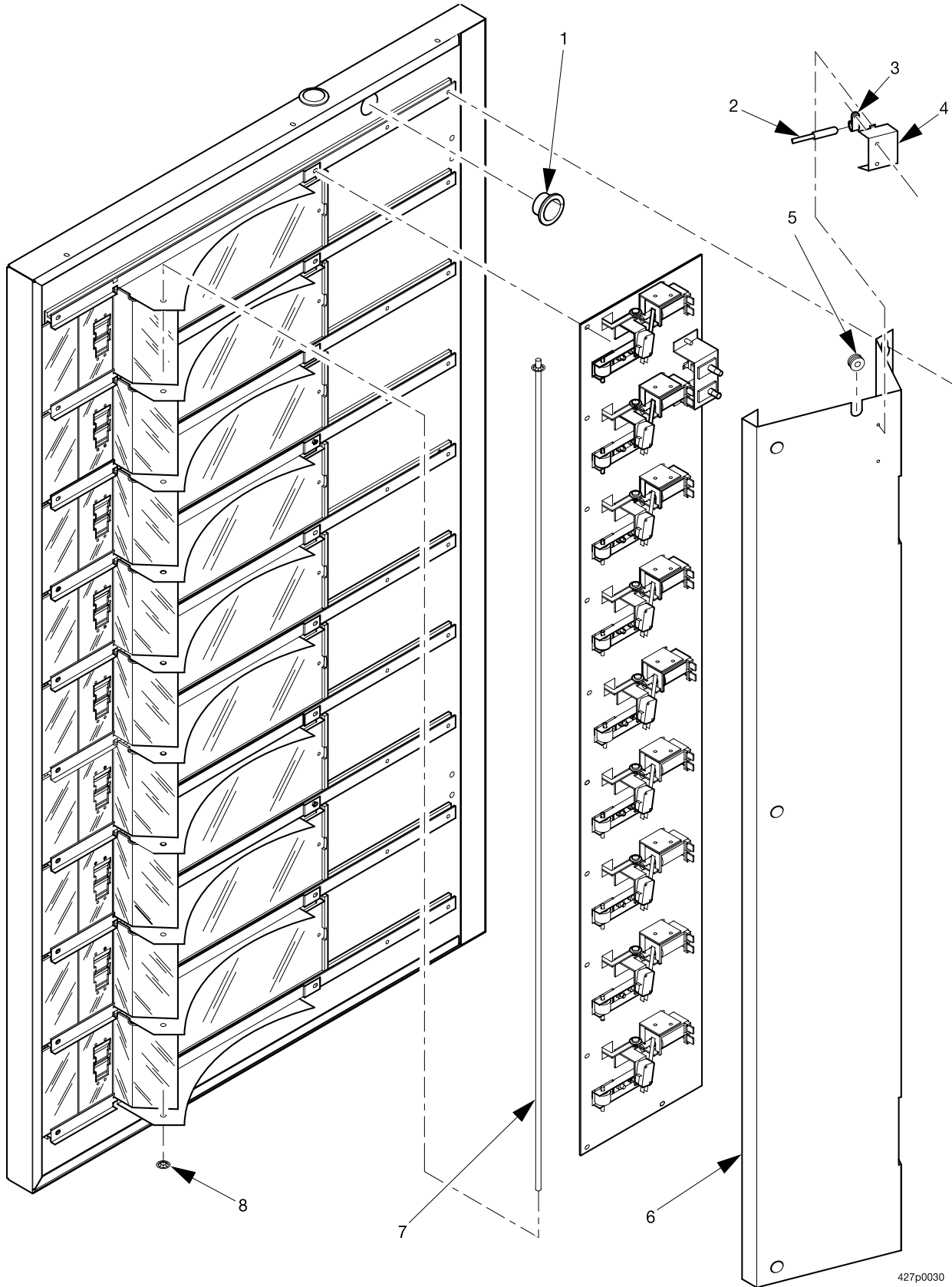


Figure 16. Inner Door Interior

427p0030

**TABLE 16. INNER DOOR INTERIOR**

INDEX	PART NUMBER	DESCRIPTION	QTY.
1	4271057	BUSHING - 1.0" - OPEN/CLOSED	2
2	4119013	PROBE - TEMPERATURE SENSOR	1
3	1452139	RETAINER - HARNESS	1
4	4272093	COVER	1
5	3502097	BUSHING # OCB-500	1
6	4273098	COVER - SOLENOID - INNER DOOR	1
7	4273044	TAB, LOCK - HOLDER PLATE	1
8	5201266	PUSH ON RETAINER .187	2

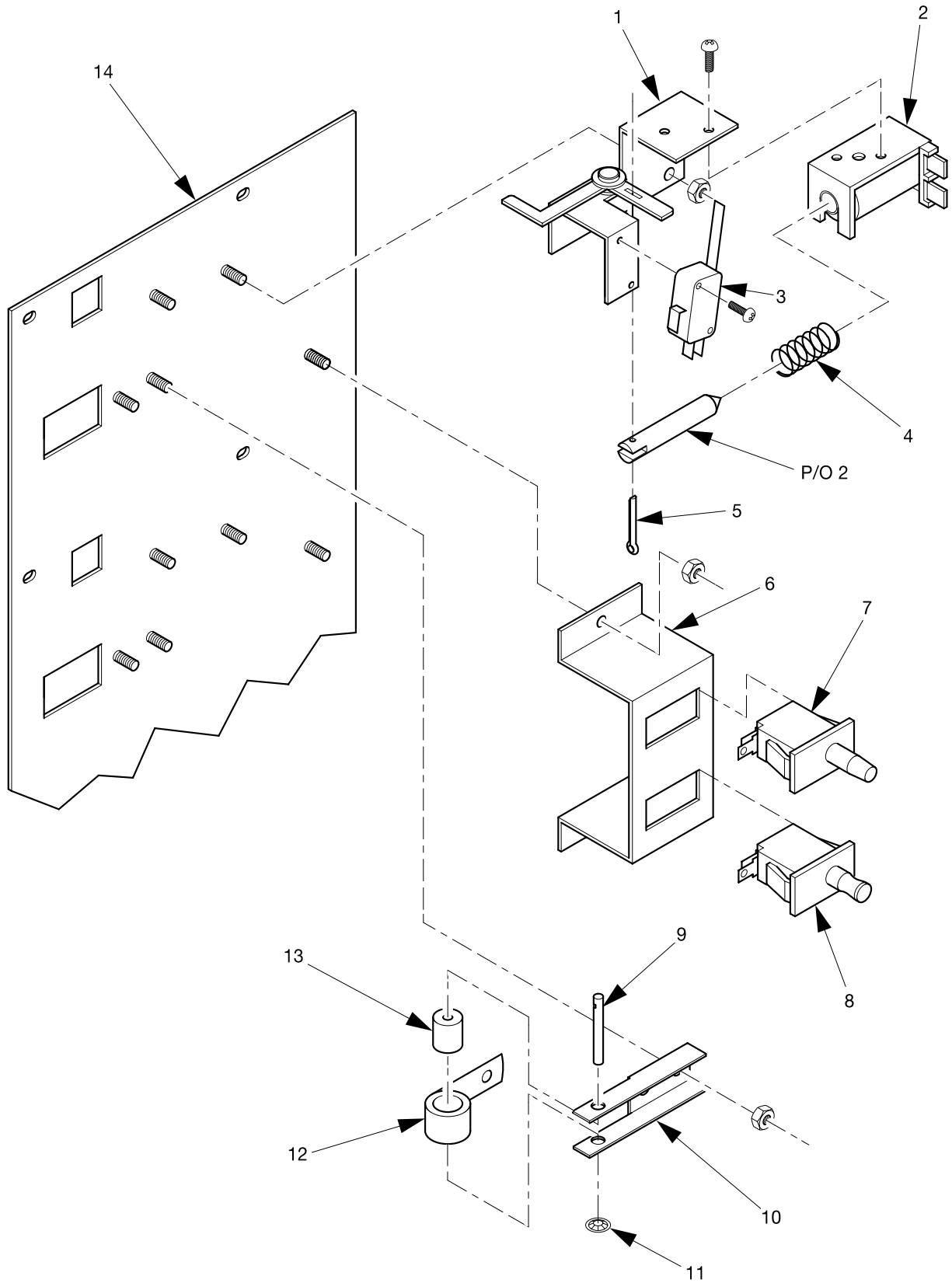
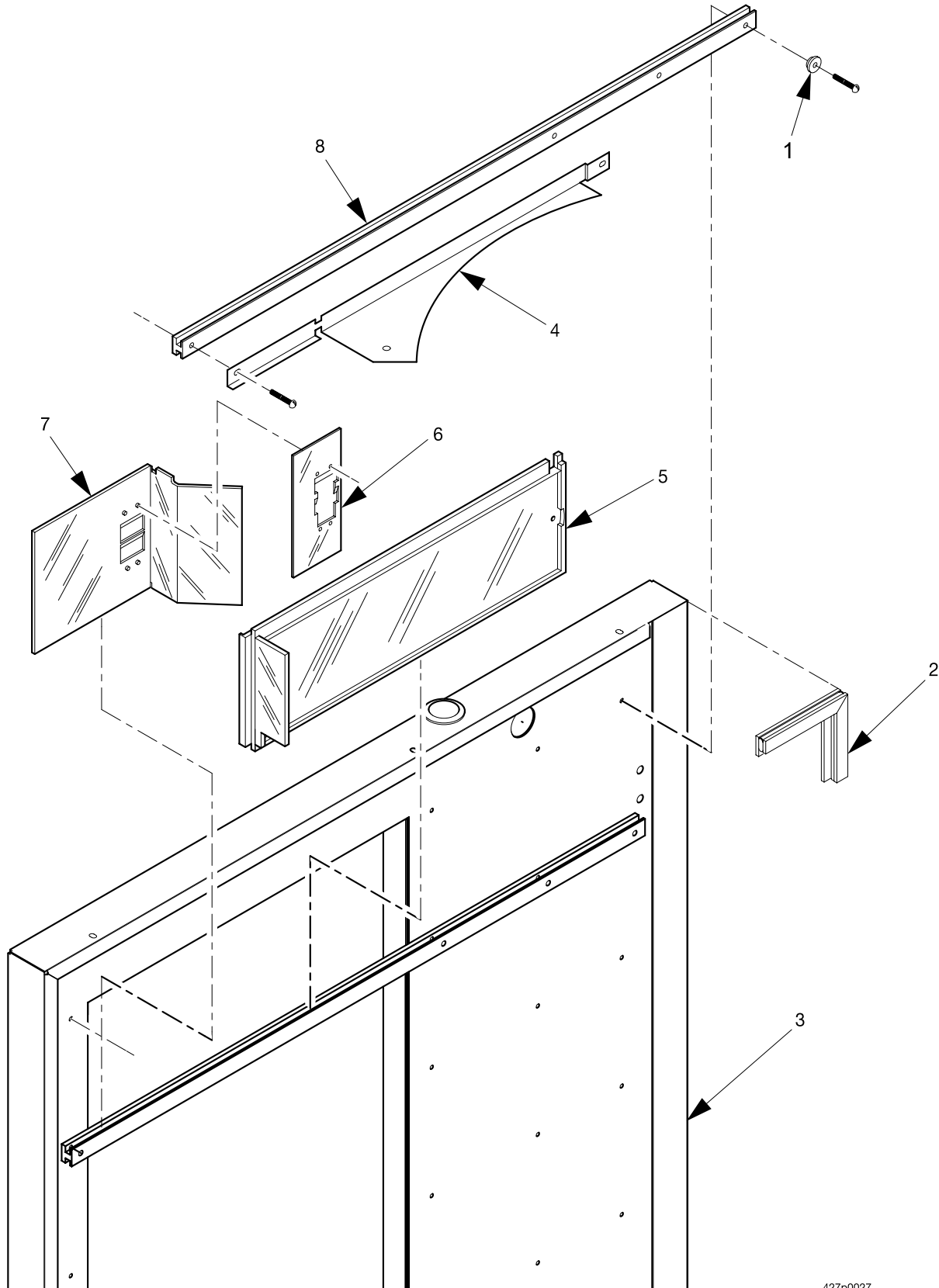


Figure 17. Vend Door Solenoid Assembly

427p0026

**TABLE 17. VEND DOOR SOLENOID ASSEMBLY**

INDEX	PART NUMBER	DESCRIPTION	QTY.
-	4273090	SOLENOID & BRACKET ASSEMBLY (INCLUDES INDEX NUMBERS 1 THROUGH 5)	9
1	4273088	BRACKET ASSEMBLY - SOLENOID MOUNTING	1
2	4252029	SOLENOID - 24 VDC	1
3	4302319	SWITCH - LEVER - 1 7/8	1
4	4273019	SPRING	1
5	9900140	COTTER PIN 1/16 X 7/16	1
6	4273079	BRACKET - SWITCH MOUNTING	1
7	1236050	SWITCH - INTERLOCK	1
8	1401110	SWITCH	1
-	4273084	ROLLER SPRING ASSEMBLY (INCLUDES INDEX NUMBERS 9 THROUGH 13)	9
9	4273094	SPRING - ROLLER SHAFT	1
10	4273082	BRACKET - SPRING MOUNT	1
11	4273050	STUD - PUSHNUT	1
12	4273007	SPRING - CONSTANT FORCE	1
13	4273004	ROLLER - SPRING	1
14	4273089	PLATE - SOLENOID MOUNTING	1



427p0027

Figure 18. Vend Door

**TABLE 18. VEND DOOR**

INDEX	PART NUMBER	DESCRIPTION	QTY.
1	4273021	INNER GUARD BUSHING	6
2	4273045	GASKET - DOOR - COLD FOOD	1
3	4273062	INNER DOOR ASSEMBLY - FOAMED	1
4	4273022	SHIELD - TRAY	10
5	4273025	VEND DOOR	9
6	4273023	PRICE TAG RETAINER	9
7	4273024	DOOR STOP & PRICE HOLDER	9
8	4273052	TRACK - DOOR	10

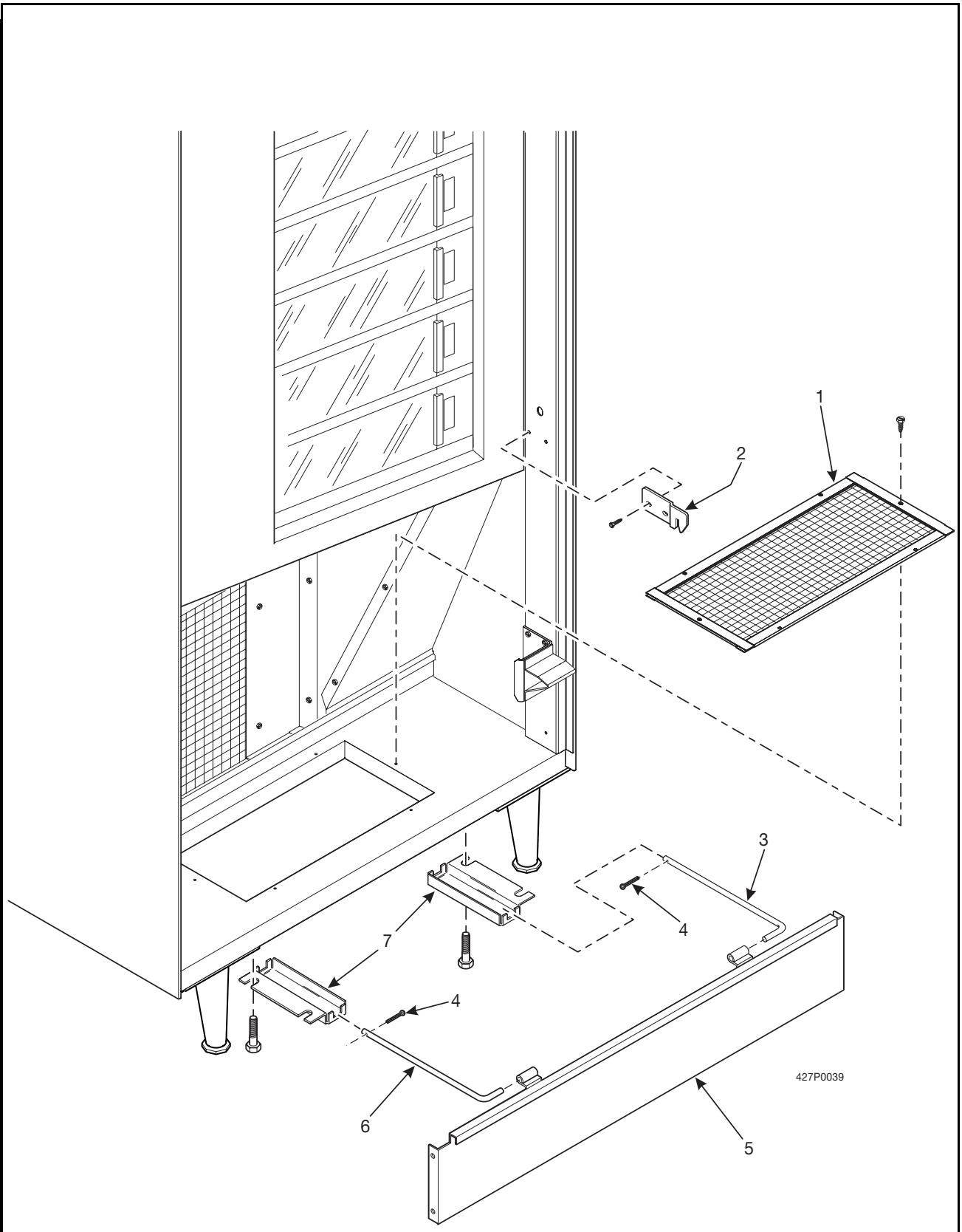
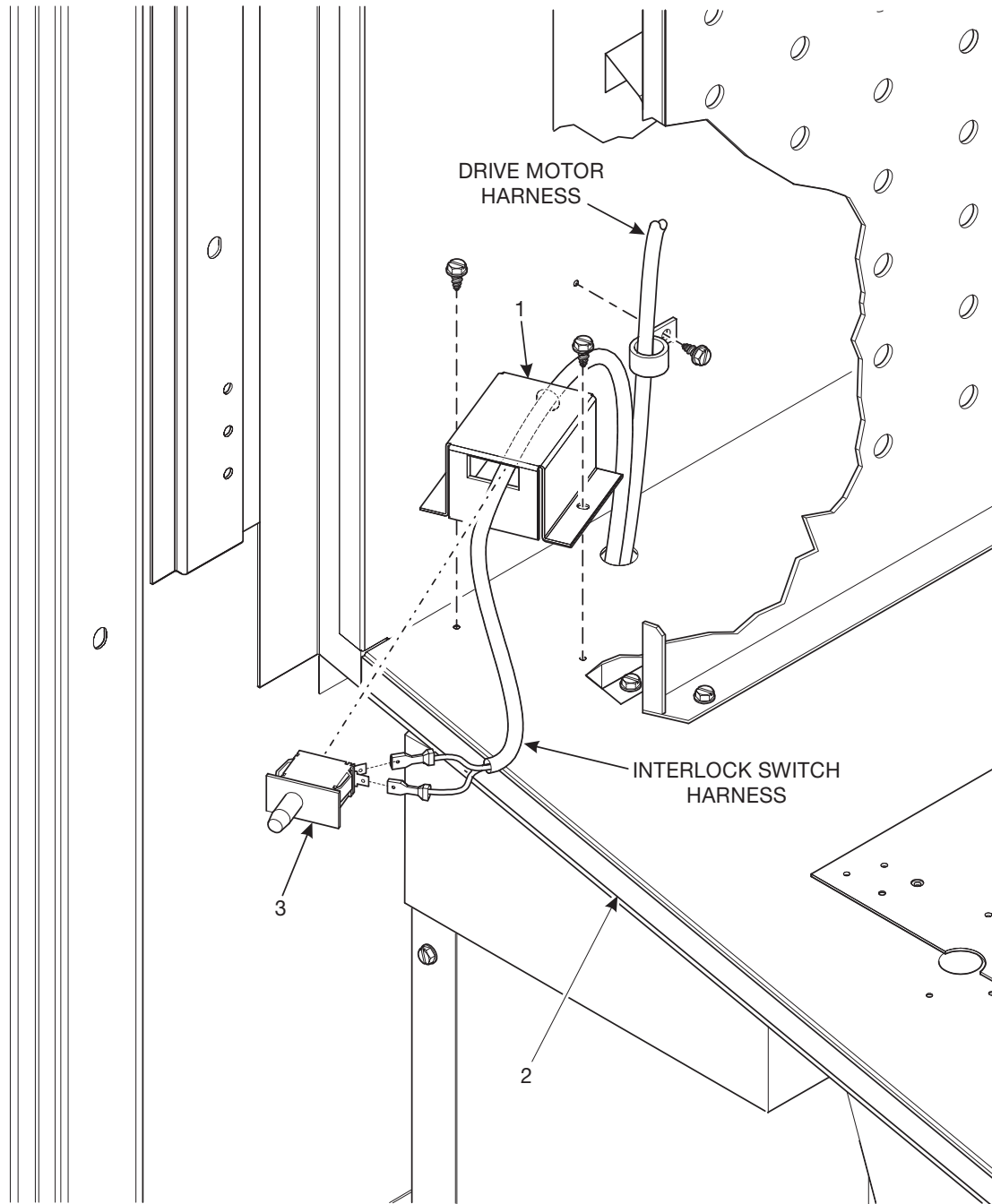


Figure 19. Base Plate Accessory and Miscellaneous Cabinet Parts



**TABLE 19. BASE PLATE ACCESSORY AND MISCELLANEOUS CABINET PARTS**

<b>INDEX</b>	<b>PART NUMBER</b>	<b>DESCRIPTION</b>	<b>QTY.</b>
1	4271066	SCREEN ASSEMBLY	1
2	1571074	LOCK ARM - CABINET	1
-	4271105	BASE PLATE AND ACCESSORY ASSEMBLY (INCLUDES INDEX NUMBERS 3 THROUGH 7)	OPT.
3	1411194	SLIDE - BASE PLATE - RIGHT HAND	1
4	9900098	COTTER PIN - 3/32 X 3/4 IN	2
5	4271103	BASE PLATE ASSEMBLY	1
6	1411195	SLIDE - BASE PLATE - LEFT HAND	1
7	6231087	BRACKET - BASE PLATE	2



427p0044

Figure 20. Switch and Mounting Bracket Assembly

**TABLE 20. SWITCH AND MOUNTING BRACKET ASSEMBLY**

INDEX	PART NUMBER	DESCRIPTION	QTY.
1	4271092	BRACKET - SWITCH MOUNTING	1
2	4273097	STRIP - GASKET - DOOR - HORIZONTAL (BOTTOM PIECE ONLY SHOWN)	2
-	4273101	STRIP - GASKET - DOOR - VERTICAL (NOT SHOWN)	1
-	4273049	KOREL TAPE (FOR MOUNTING THE ABOVE 2 ITEMS)	A/R
3	4271109	SWITCH - PANEL MOUNT	1

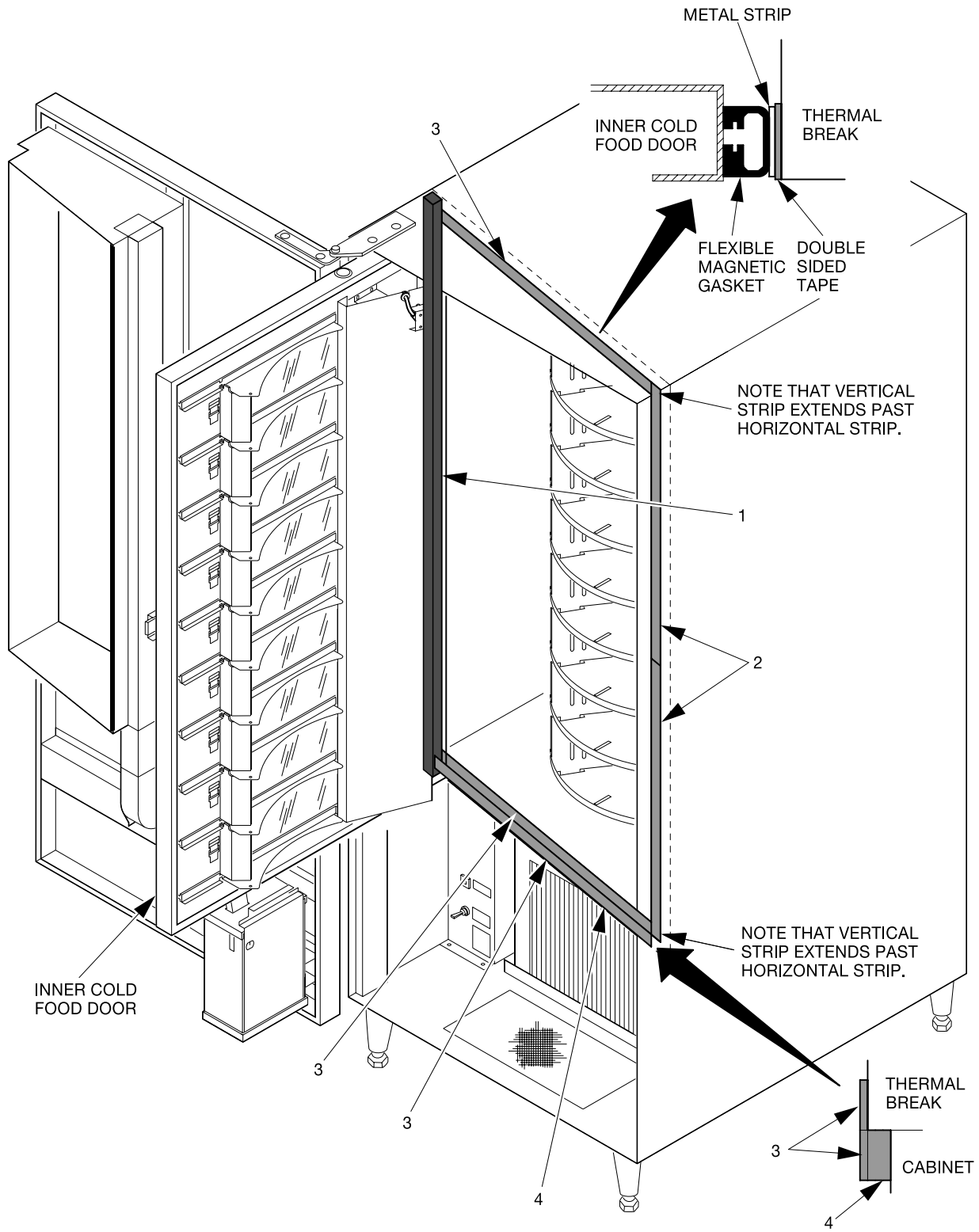
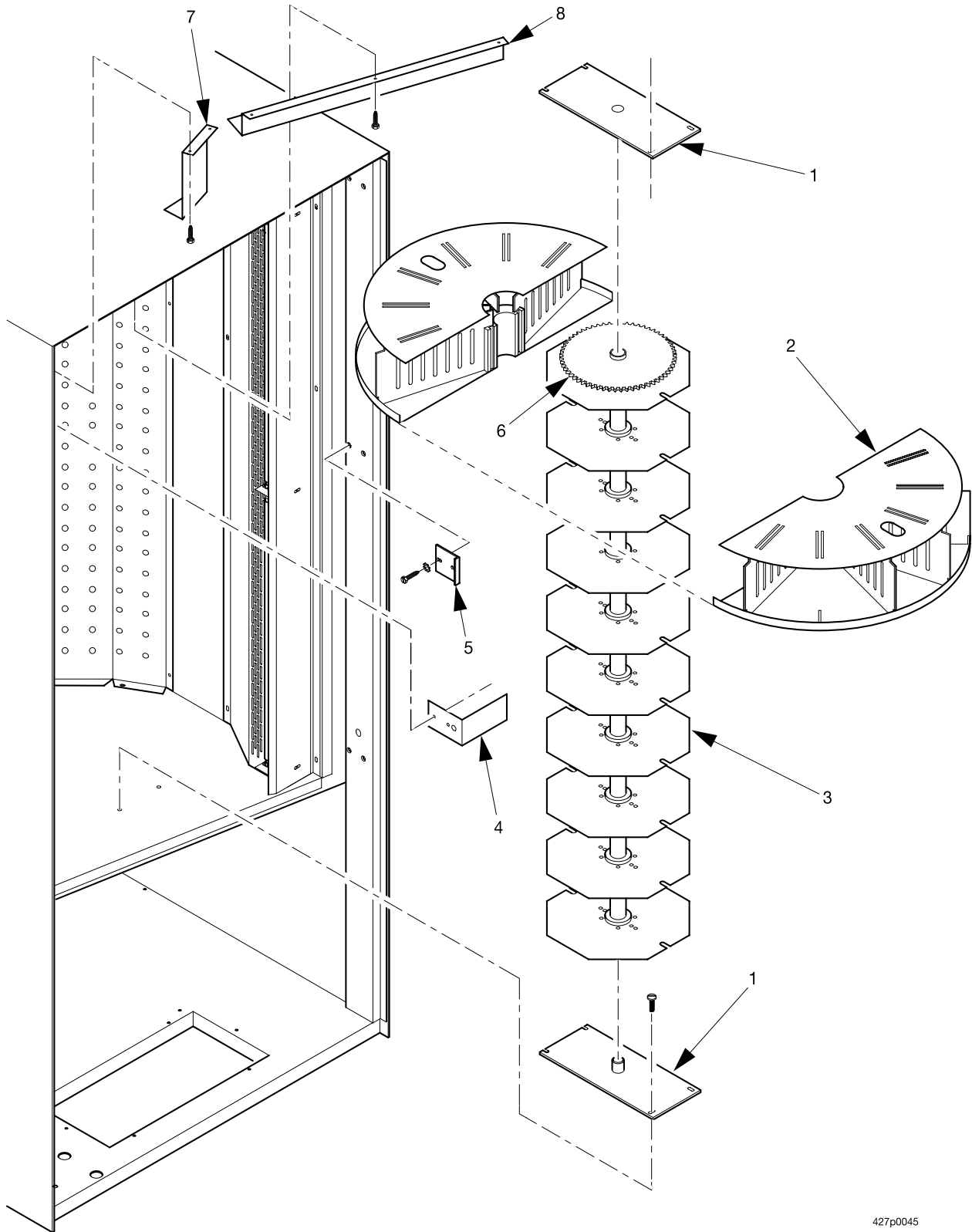


Figure 21. Inner Door Seals and Gaskets

TABLE 21. INNER DOOR SEALS AND GASKETS

INDEX	PART NUMBER	DESCRIPTION	QTY.
1	4614027	SEAL-1.00 X .87	-
2	4273054	STRIP ASSEMBLY - DOOR GASKET - VERTICAL	-
3	4273056	STRIP ASSEMBLY - DOOR GASKET - HORIZONTAL	-
4	4273102	SPACER ASSEMBLY - DOOR GASKET - HORIZONTAL	-



427p0045

Figure 22. Turret Assembly

**TABLE 22. TURRET ASSEMBLY**

<b>INDEX</b>	<b>PART NUMBER</b>	<b>DESCRIPTION</b>	<b>QTY.</b>
1	4277043	WELD ASSEMBLY - BASEPLATE	2
2	-	TRAY HALF ASSEMBLY (SEE FIGURE 25 FOR DETAILS)	18
3	4277004	CAROUSEL ASSEMBLY	1
4	4273086	STRIKER - SWITCH	1
5	4271130	STOP - COLD FOOD DOOR LATCH	1
6	4277012	SPROCKET - 60 TOOTH - MODIFIED	1
7	4271091	COVER - MOTOR	1
8	4271090	COVER - CHAIN GUARD	1
-	4277039	COLUMN ASSEMBLY (INCLUDES INDEX NUMBERS 1, 3, 6, AND THE FOLLOWING 3 ITEMS:) (NOT SHOWN)	1
-	4277011	BEARING-FLANGE	2
-	4277014	WASHER-TRD-1220 THRUST	1
-	4277031	ROLL PIN-.250 X 2.25	1

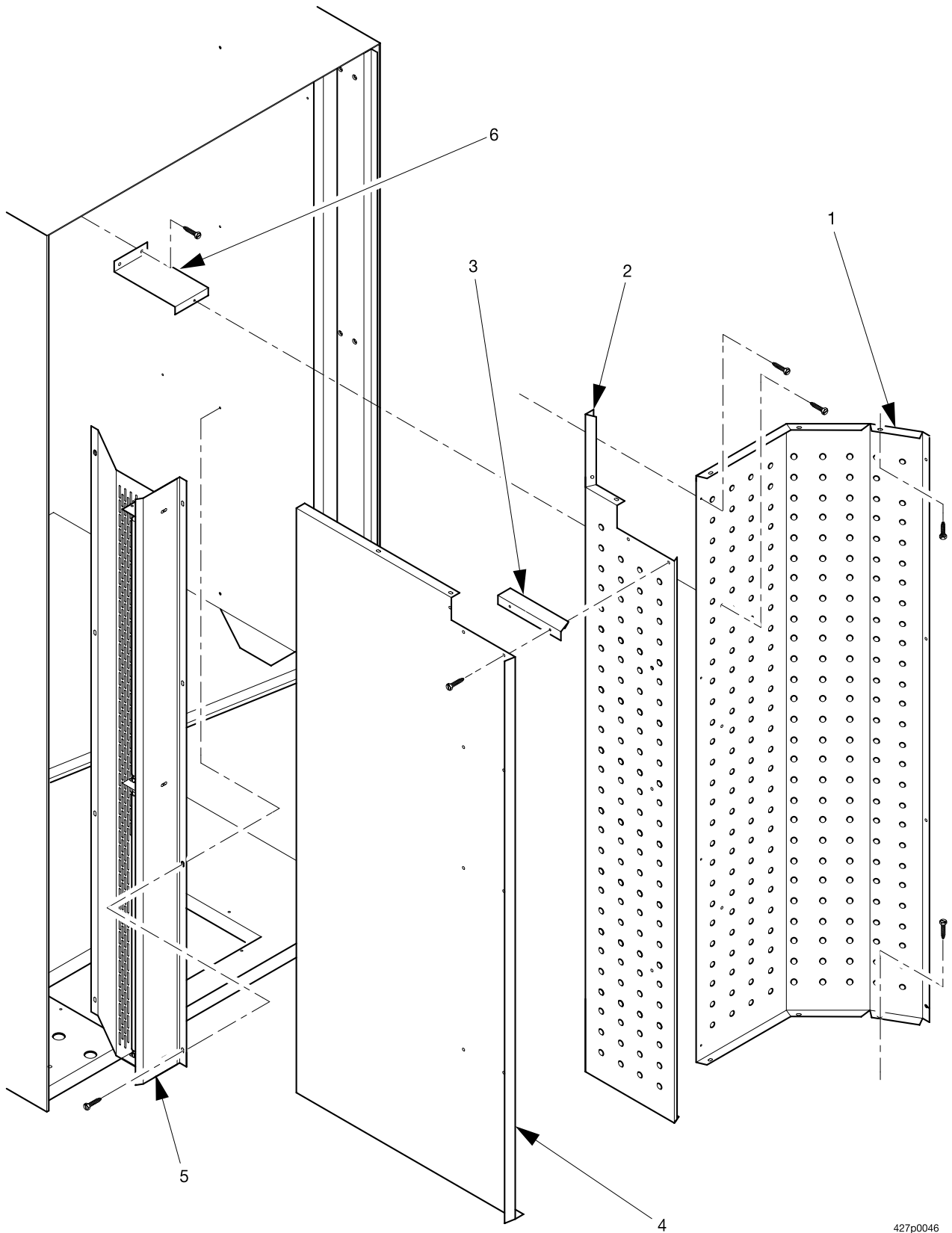


Figure 23. Inner Panels

427p0046



TABLE 23. INNER PANELS

INDEX	PART NUMBER	DESCRIPTION	QTY.
1	4271025	PANEL - INNER - RIGHT	1
2	4271026	PANEL - INNER - CENTER	1
3	4271029	BRACKET - SPACING - LEFT	1
4	4271059	PANEL - INNER - LEFT	1
5	4271087	LIGHT ASSEMBLY - RETURN AIR (SEE FIGURE 24 FOR DETAILS)	1
6	4271028	BRACKET - SPACING - REAR	1

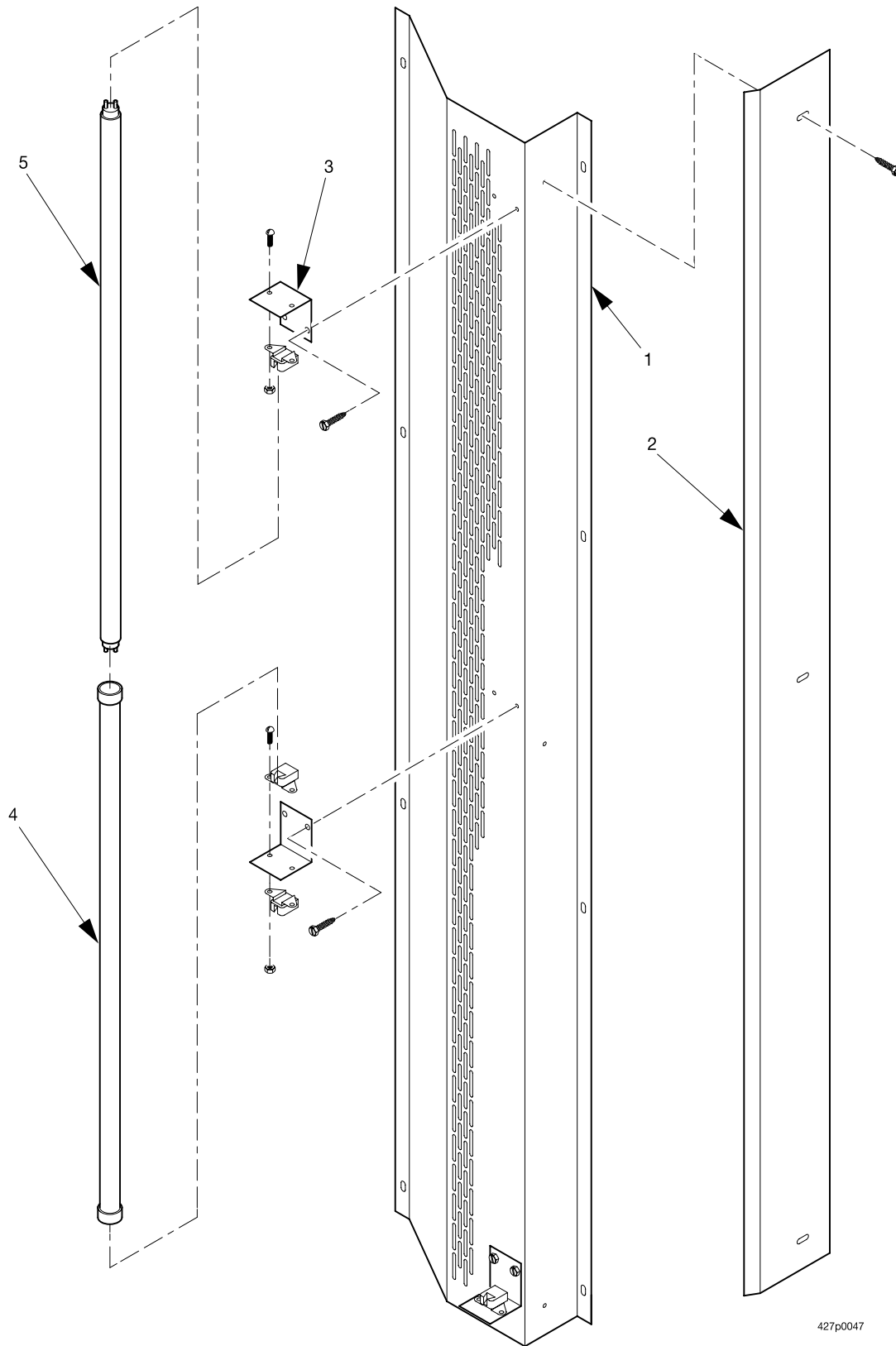
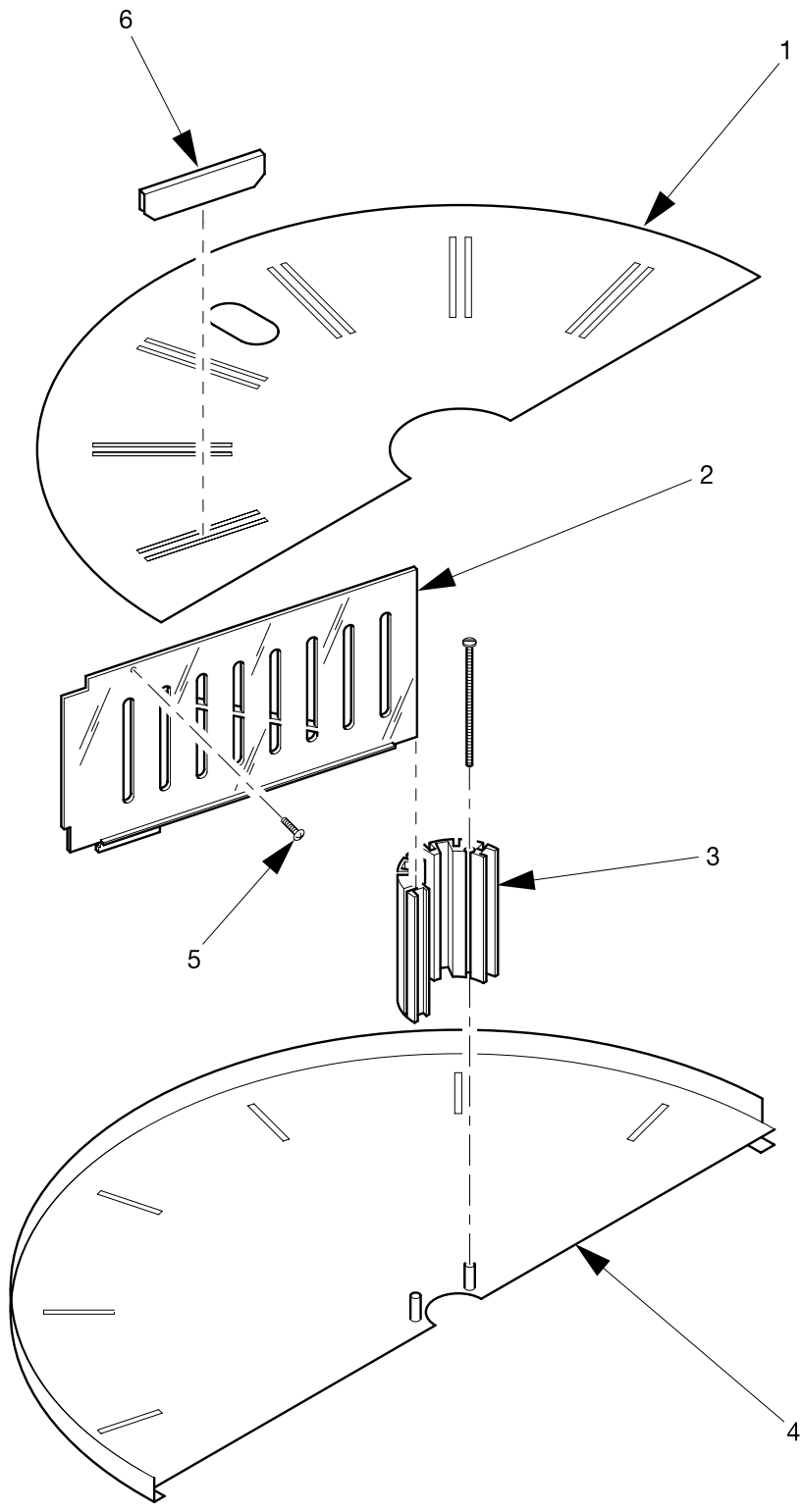


Figure 24. Light Assembly - Return Air

**TABLE 24. LIGHT ASSEMBLY - RETURN AIR**

INDEX	PART NUMBER	DESCRIPTION	QTY.
1	4271040	PANEL-RETURN AIR	1
2	4271007	SHIELD-LIGHT	1
3	4271056	ANGLE-LIGHT	3
4	4271086	SAFETY LAMP SLEEVE W/END CAPS	1
5	4031148	LAMP FLUORESCENT 13W #F13T5CW	1

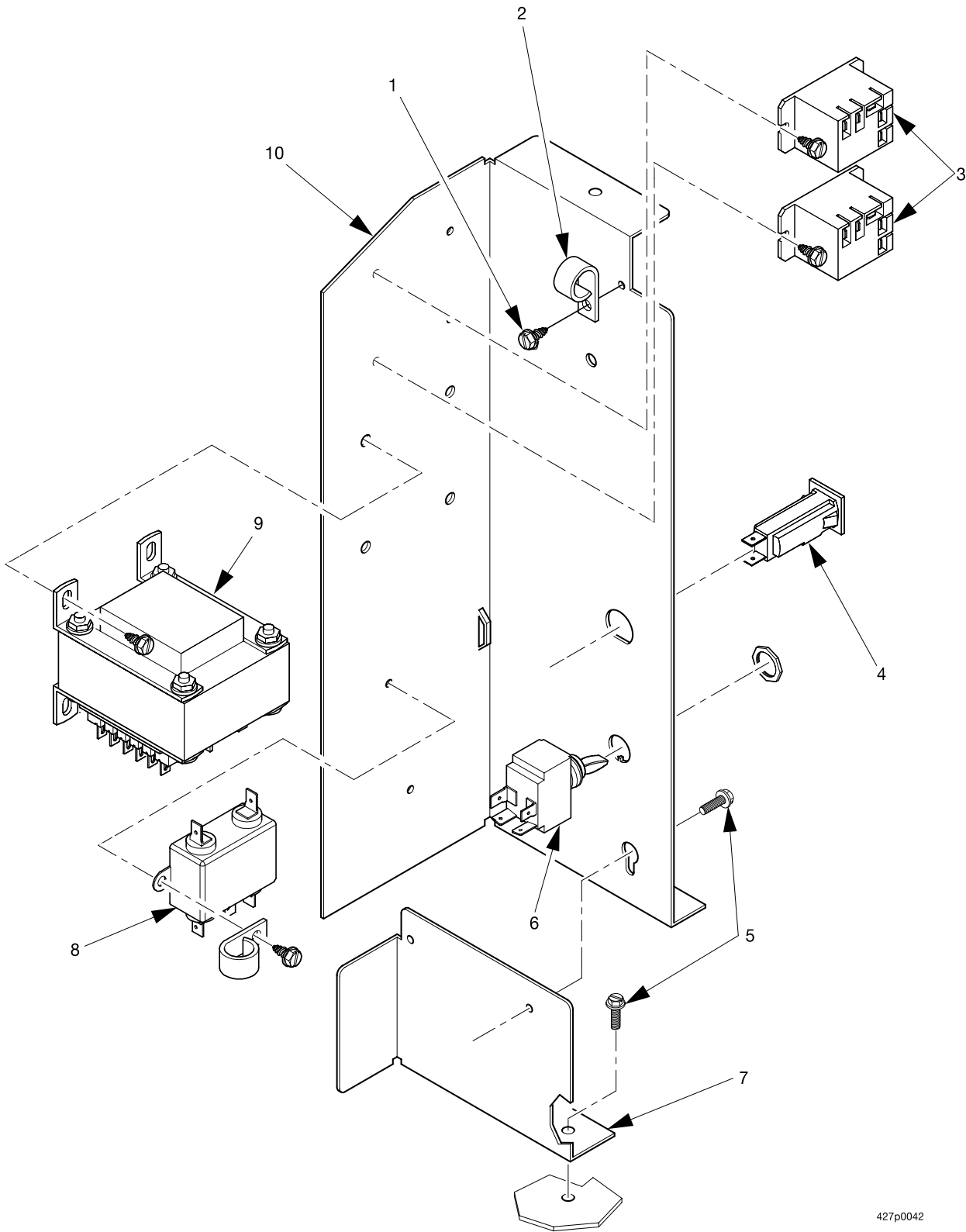


427p0057

Figure 25. Tray Half Assembly

**TABLE 25. TRAY HALF ASSEMBLY**

INDEX	PART NUMBER	DESCRIPTION	QTY.
1	4277015	PLATE HOLDER - WHITE	1
2	4277029	TRAY DIVIDER	OPT.
3	4277049	TRAY DIVIDER SUPPORT	1
4	4277021	TRAY SEGMENT WELD ASSEMBLY	1
5	4047056	SCREW - SHEET METAL #8X3/8 PHS	OPT.
6	4277030	HOLDER	OPT.

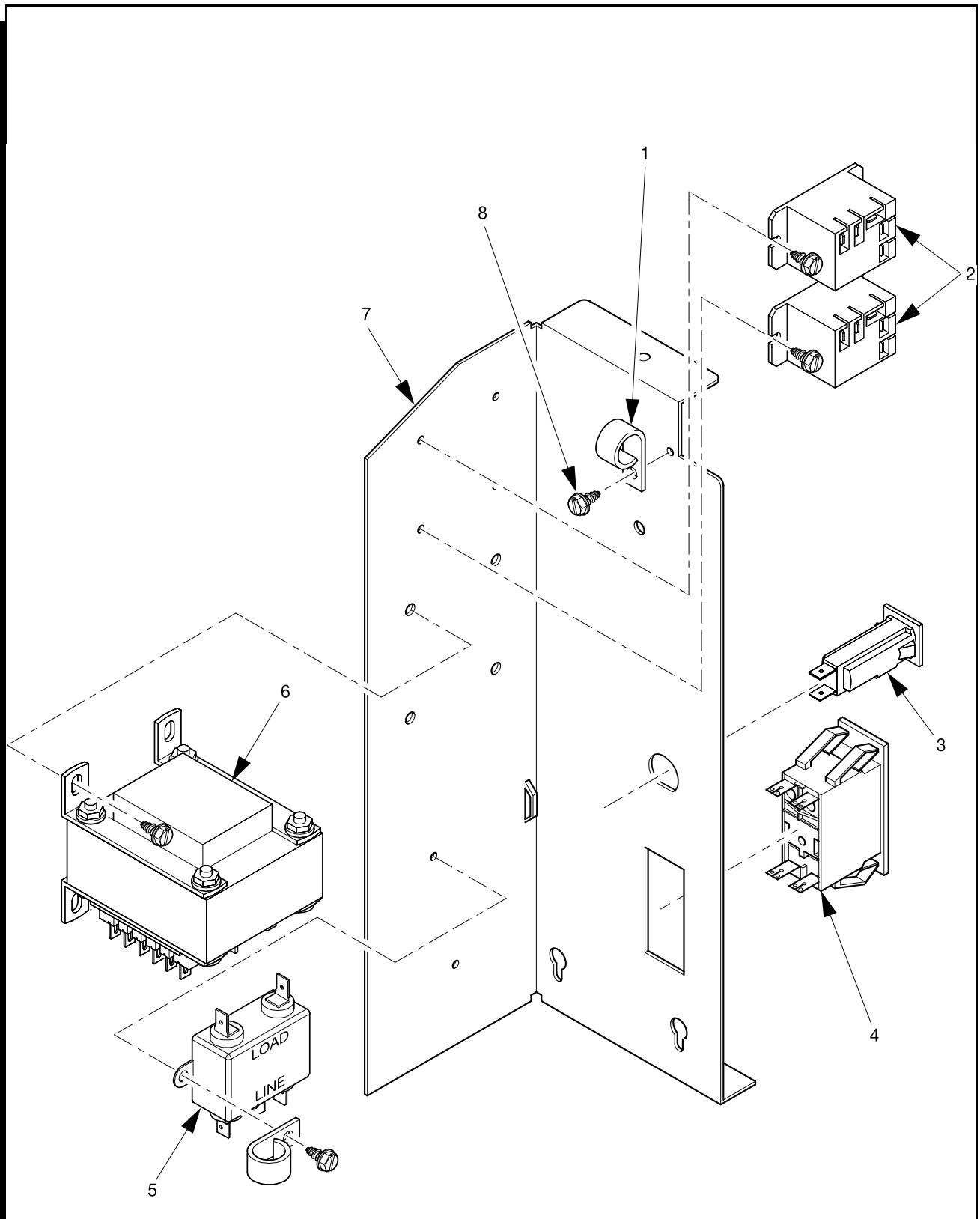


427p0042

Figure 26. Power Panel Assembly (U.K./U.S.)

**TABLE 26. POWER PANEL ASSEMBLY (U.K./U.S.)**

INDEX	PART NUMBER	DESCRIPTION	QTY.
-	4271107	POWER PANEL ASSEMBLY (U.K.)	1
	4271089	POWER PANEL ASSEMBLY (U.S.)	
1	3157060	SCREW - #8-32 X .31 HEX W/HD.	7
2	4732024	RETAINER - HARNESS	3
3	9989677	RELAY - SPDT 24 VDC - PANEL MOUNT	2
4	9989674	CIRCUIT BREAKER - 4 AMP	1
5	1451056	SCREW - 8-32 X .31 HWS TY23 ZB WAX	4
6	9984629	SWITCH - TOGGLE - DPST - 20 AMP	1
7	4271129	BRACKET - ELECTRICAL PANEL	1
8	9989100	INTERFERENCE FILTER	1
9	9989046	24V TRANSFORMER - DUAL PIR. - .187 TERM.	1
10	4271128	PANEL - ELECTRICAL	1



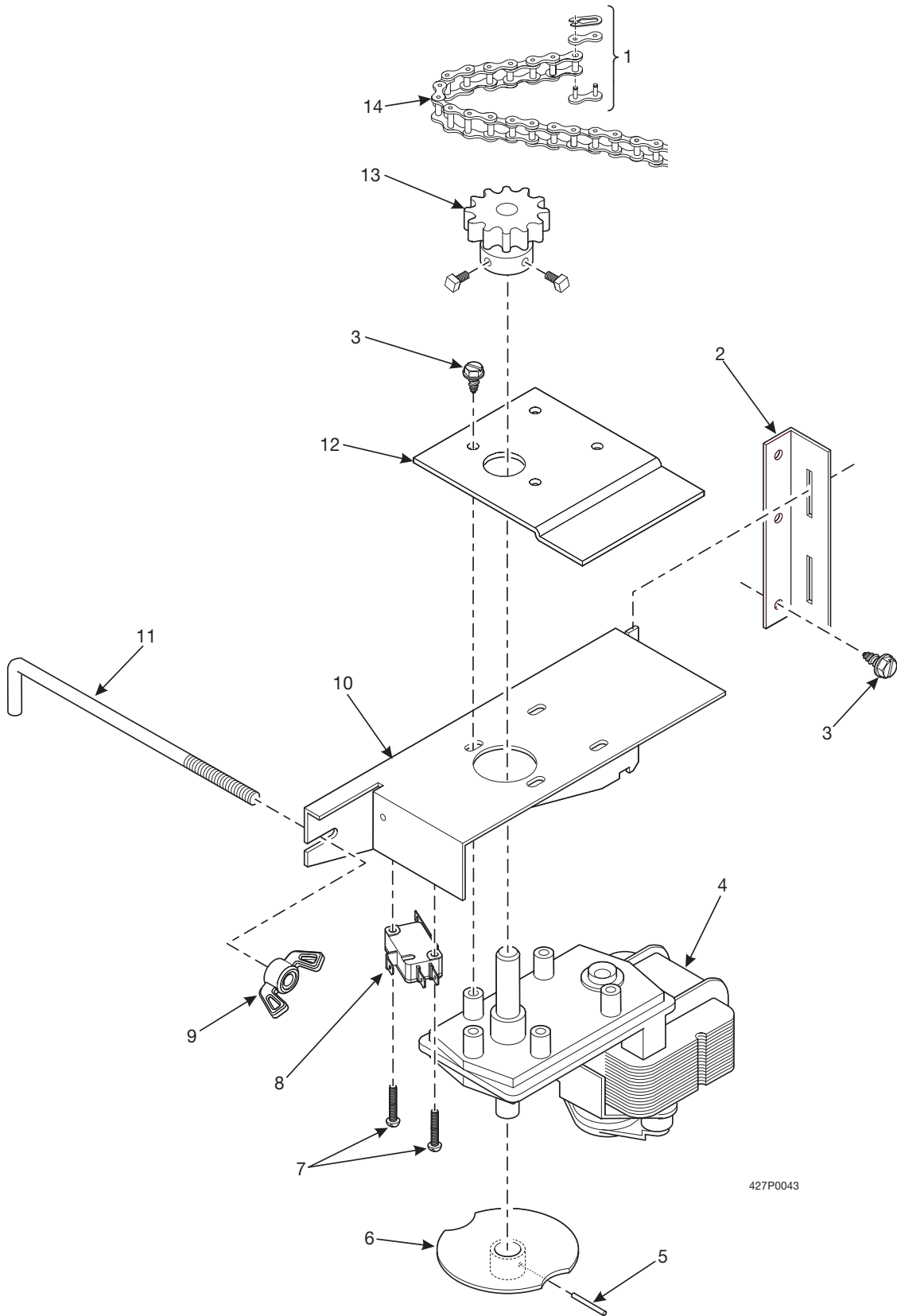
427p0058

Figure 27. Power Panel Assembly (France/Germany)



**TABLE 27. POWER PANEL ASSEMBLY (FRANCE/GERMANY)**

INDEX	PART NUMBER	DESCRIPTION	QTY.
-	4271106	POWER PANEL ASSEMBLY - FR./GER.	1
1	4732024	RETAINER - HARNESS	3
2	9989677	RELAY - SPDT 24 VDC - PANEL MOUNT	2
3	9989674	CIRCUIT BREAKER - 4 AMP	1
4	9984627	CIRCUIT BREAKER/SWITCH - 16 AMP	1
5	1451056	SCREW - 8-32 X .31 HWS TY23 ZB WAX	4
6	4271129	BRACKET - ELECTRICAL PANEL	1
7	9989100	INTERFERENCE FILTER	1
8	9989046	24V TRANSFORMER - DUAL PIR. - .187 TERM.	1
9	4271127	PANEL - ELECTRICAL	1
10	3157060	SCREW - #8-32 X .31 HEX W/HD.	7

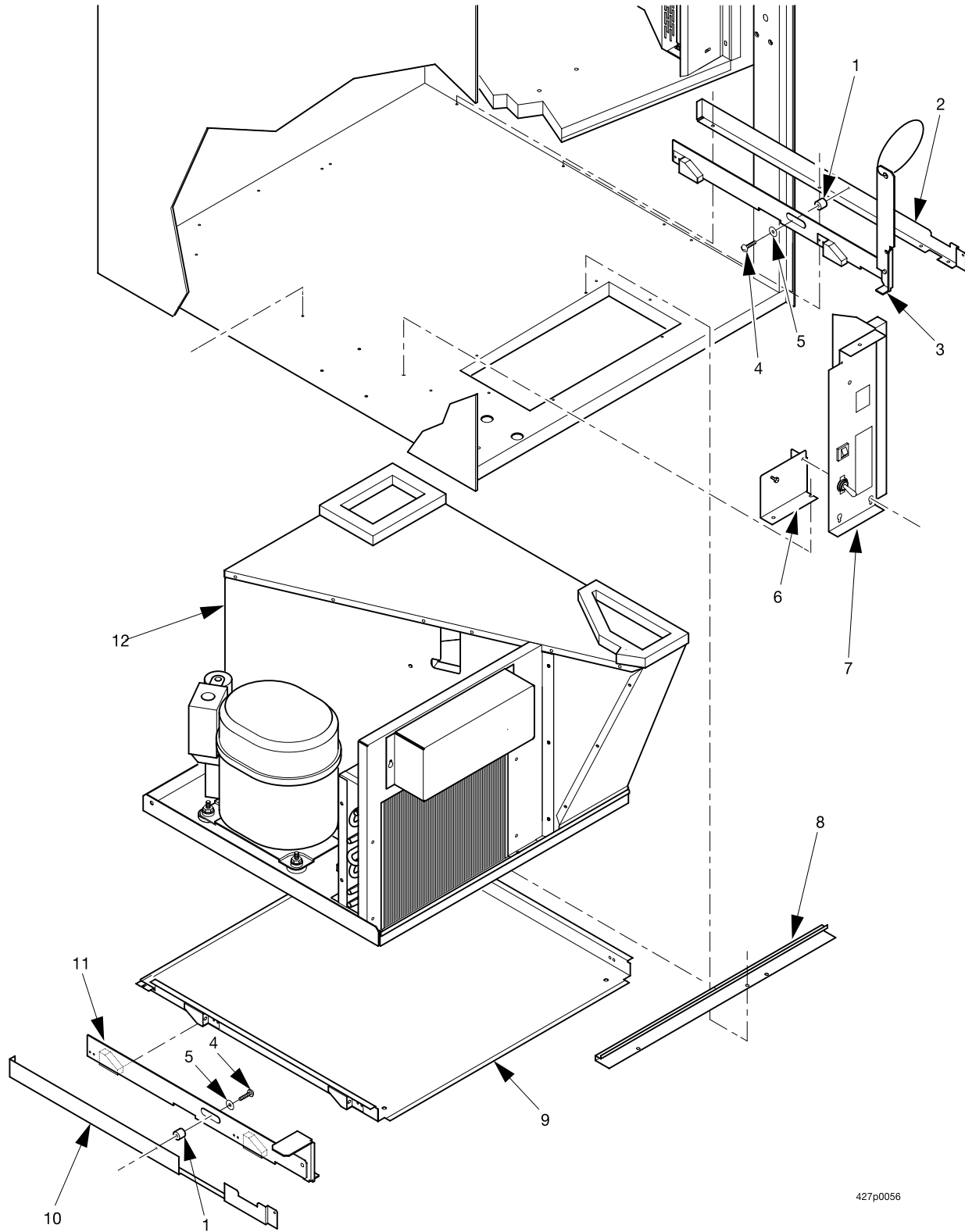


427P0043

Figure 28. Turret Motor Assembly

**TABLE 28. TURRET MOTOR ASSEMBLY**

INDEX	PART NUMBER	DESCRIPTION	QTY.
-	4271088	TURRET MOTOR ASSEMBLY - 115V	1
	4271108	TURRET MOTOR ASSEMBLY - 230V	
1	4277013	CHAIN REPAIR LINK - 3/8	1
2	4271039	BRACKET - SUPPORT - MOTOR MOUNTING - TURRET	1
3	3157060	SCREW - #8-32 X .31 HEX W/ HD. SLOTTED	4
4	4277050	DRIVE MOTOR ASSEMBLY - TURRET - 115V (PART OF 4271088)	1
	4277051	DRIVE MOTOR ASSEMBLY - TURRET - 230V (PART OF 4271108)	
5	6104219	ROLL PIN - .094 X 5/8	1
6	4271001	CAM ASSEMBLY - MOTOR COLUMN	1
7	5262141	SCREW - 4-40 X 9/16 PHP	2
8	4271004	MICROSWITCH VL3	1
9	4271080	NUT - WING - #8-32 WITH NYLON INSERT	1
10	4271038	BRACKET - MOTOR MOUNT - TURRET	1
11	4271065	BOLT - ANCHOR - #8-32 X 2.25	1
12	4271101	SUPPORT - MOTOR	1
13	4271002	SPROCKET - 10 TOOTH - STEEL	1
14	4277038	CHAIN - DRIVE	1

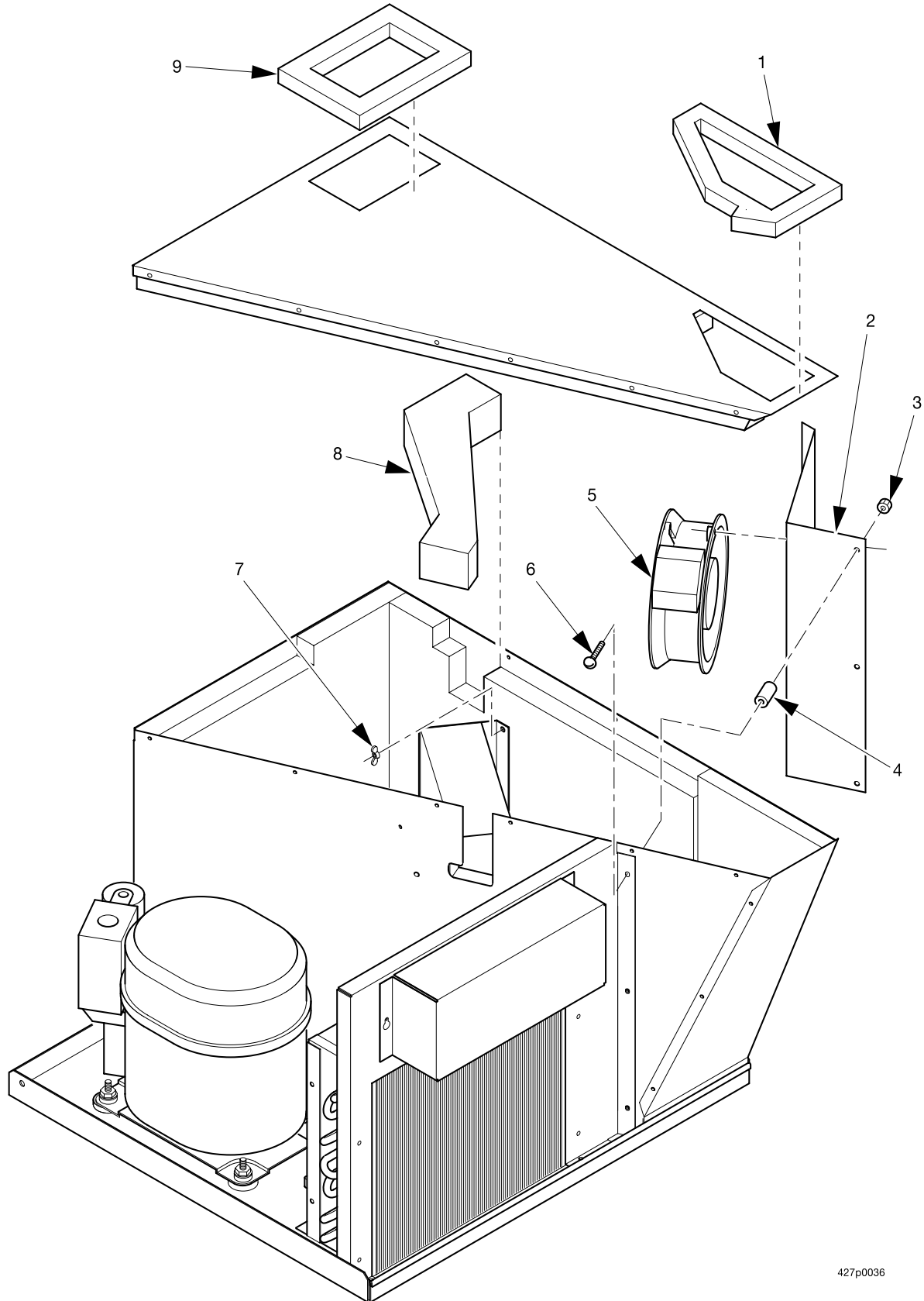


427p0056

Figure 29. Refrigeration Unit

**TABLE 29. REFRIGERATION UNIT**

INDEX	PART NUMBER	DESCRIPTION	QTY.
1	4407042	SPACER - .38 OD X .171 ID X 12 LG	2
2	4274140	GUIDE - LIFT - RIGHT	1
3	4274137	SLIDER ASSEMBLY - LIFT - RIGHT	1
4	G1472027	SCREW - SHEET METAL-#6 X .44	2
5	2237002	WASHER PACK - LEVELER	2
6	4271129	BRACKET - ELECTRICAL PANEL	1
7	4271107	POWER PANEL ASSEMBLY (U.K.) (SEE FIGURE 26 FOR DETAILS)	1
	4271089	POWER PANEL ASSEMBLY (U.S.) (SEE FIGURE 26 FOR DETAILS)	
	4271106	POWER PANEL ASSEMBLY - FR./GER. (SEE FIGURE 27 FOR DETAILS)	
8	4274035	SUPPORT/RETAINER - REFRIGERATION CHASSIS	1
9	4274099	CARRIAGE ASSEMBLY - LIFT	1
10	4274139	GUIDE - LIFT - LEFT	1
11	4274134	SLIDER ASSEMBLY - LIFT - LEFT	2
12	4274120	REFRIGERATION UNIT - 115V 60HZ (U.S.) (SEE FIGURE 29 FOR DETAILS)	1
	4274121	REFRIGERATION UNIT - 230V 50HZ (FR./GER./U.K.) (SEE FIGURE 29 FOR DETAILS)	

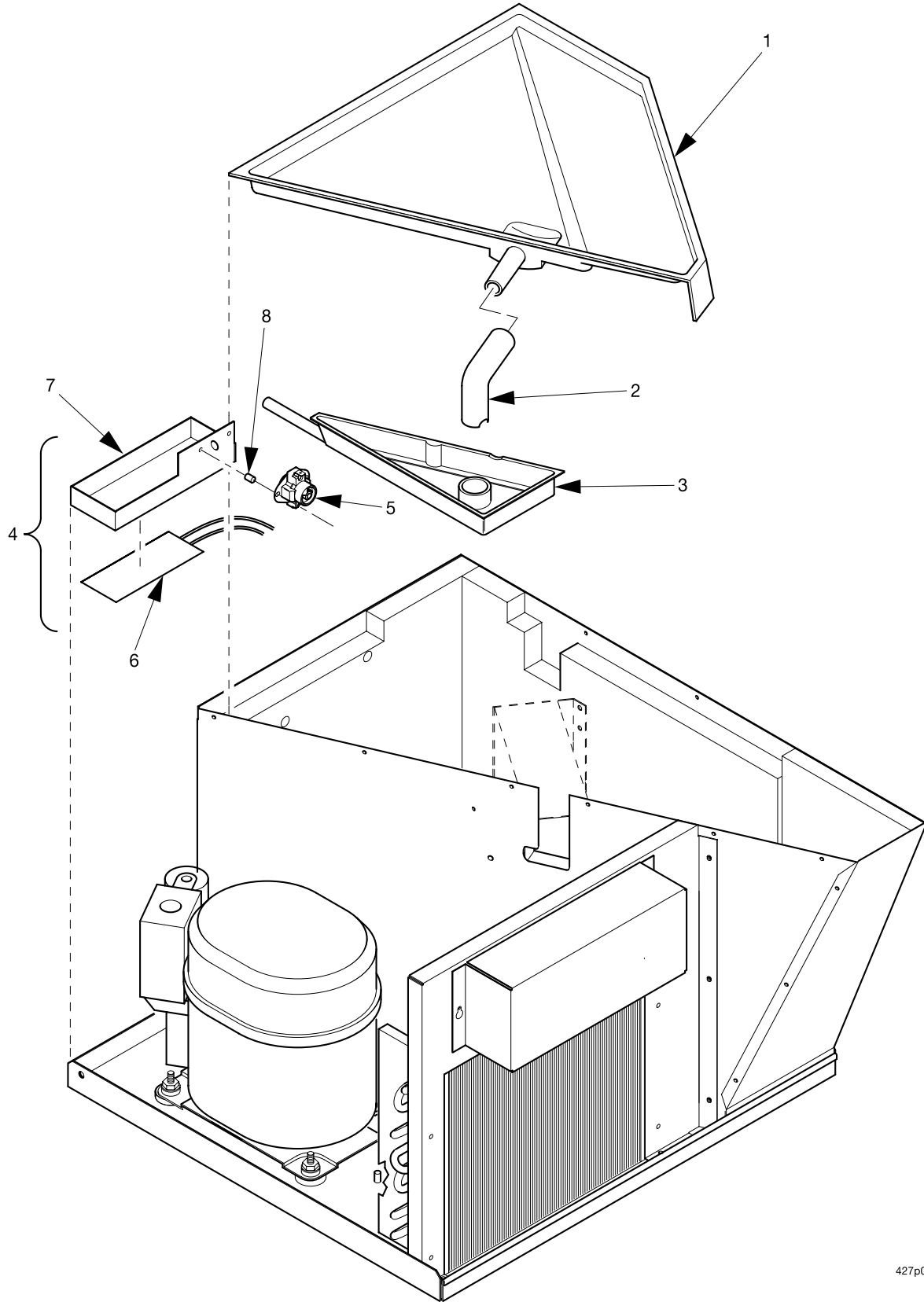


427p0036

Figure 30. Refrigeration Unit Components (Part 1 of 4)

**TABLE 30. REFRIGERATION UNIT COMPONENTS (PART 1 OF 4)**

INDEX	PART NUMBER	DESCRIPTION	QTY.
-	4274120	REFRIGERATION UNIT-115V 60HZ (U.S.)	1
	4274121	REFRIGERATION UNIT-230V 50HZ (FR./GER./U.K.)	
1	4274115	SEAL - EVAP INLET	1
2	4274129	SHROUD - FAN - EVAPORATOR	1
3	6104424	NUT - 10-32 KEPS	5
4	4274009	SPACER - NYLON - 1.0 L X .5 O.D.	5
5	4314014	FAN - EVAPORATOR - AXIAL	1
	4314054	FAN - EVAPORATOR - AXIAL - FOREIGN	
6	4402037	SCREW - #10-32 X 1 1/2 RHS-SS	5
7	9900039	WING NUT #10-32 SELF-LOCKING	4
8	4274008	BAFFLE - TOP - EVAPORATOR	1
9	4274057	SEAL - EVAP OUTLET	1



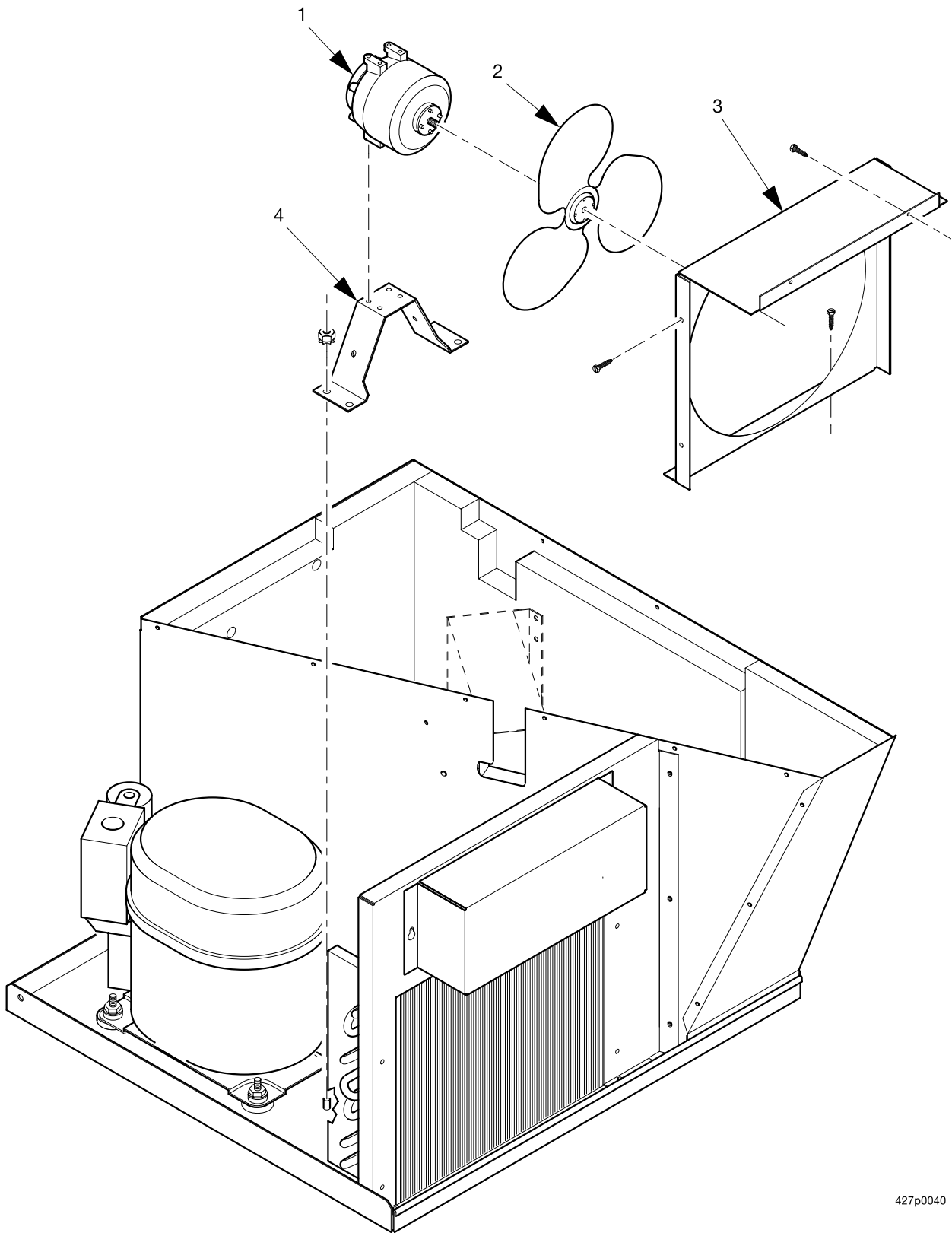
427p0037

Figure 31. Refrigeration Unit Components (Part 2 of 4)



**TABLE 31. REFRIGERATION UNIT COMPONENTS (PART 2 OF 4)**

INDEX	PART NUMBER	DESCRIPTION	QTY.
1	4274178	PAN ASSEMBLY - CONDENSATE	1
2	4274082	TUBE-DRAIN-CONDENSATE	1
3	4274084	PAN & TUBE ASSEMBLY - EVAPORATOR	1
4	4274078	PAN & HEATER ASSEMBLY - 115V (U.S.) (INCLUDES THE FOLLOWING 6 ITEMS)	1
	4274079	PAN & HEATER ASSEMBLY - 230V (FR./GER./U.K.) (INCLUDES THE FOLLOWING 6 ITEMS)	
5	4274063	THERMOSTAT - ADJUSTABLE	1
6	4274061	HEATER ASSEMBLY - PAN - 115V (U.S.)	1
	6369000	HEATER - 230V/100W - SILICONE (FR./GER./U.K.)	
7	4274060	PAN - EVAPORATION - HEATED	1
8	4274066	SPACER - THERMOSTAT (NOT SHOWN)	2
-	9900081	NUT #8-32 KEPS ZINC PLATE (NOT SHOWN)	-
-	9900115	SCREW #8-32 X 3/4 RHS (NOT SHOWN)	-

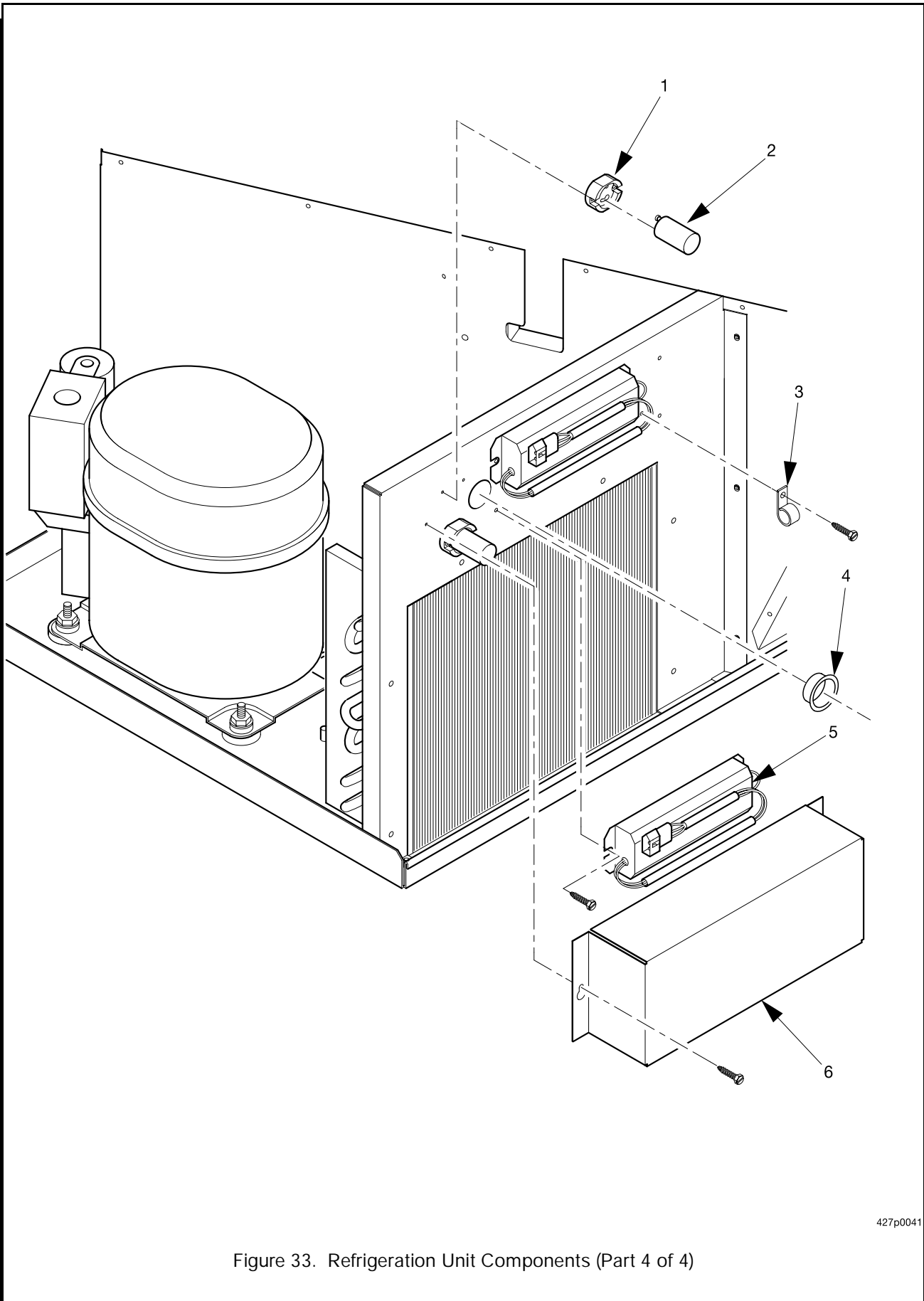


427p0040

Figure 32. Refrigeration Unit Components (Part 3 of 4)

**TABLE 32. REFRIGERATION UNIT COMPONENTS (PART 3 OF 4)**

INDEX	PART NUMBER	DESCRIPTION	QTY.
1	4304231	MOTOR - CONDENSER - 16 WATT (U.S.)	1
	4314089	MOTOR - CONDENSER FAN-16W-MORILL (FR./GER./U.K.)	
2	4043065	BLADE - CONDENSER FAN - FT950CW26S	1
3	4274054	SHROUD - CONDENSER COIL	1
4	4274055	BRACKET - MOTOR - FAN	1

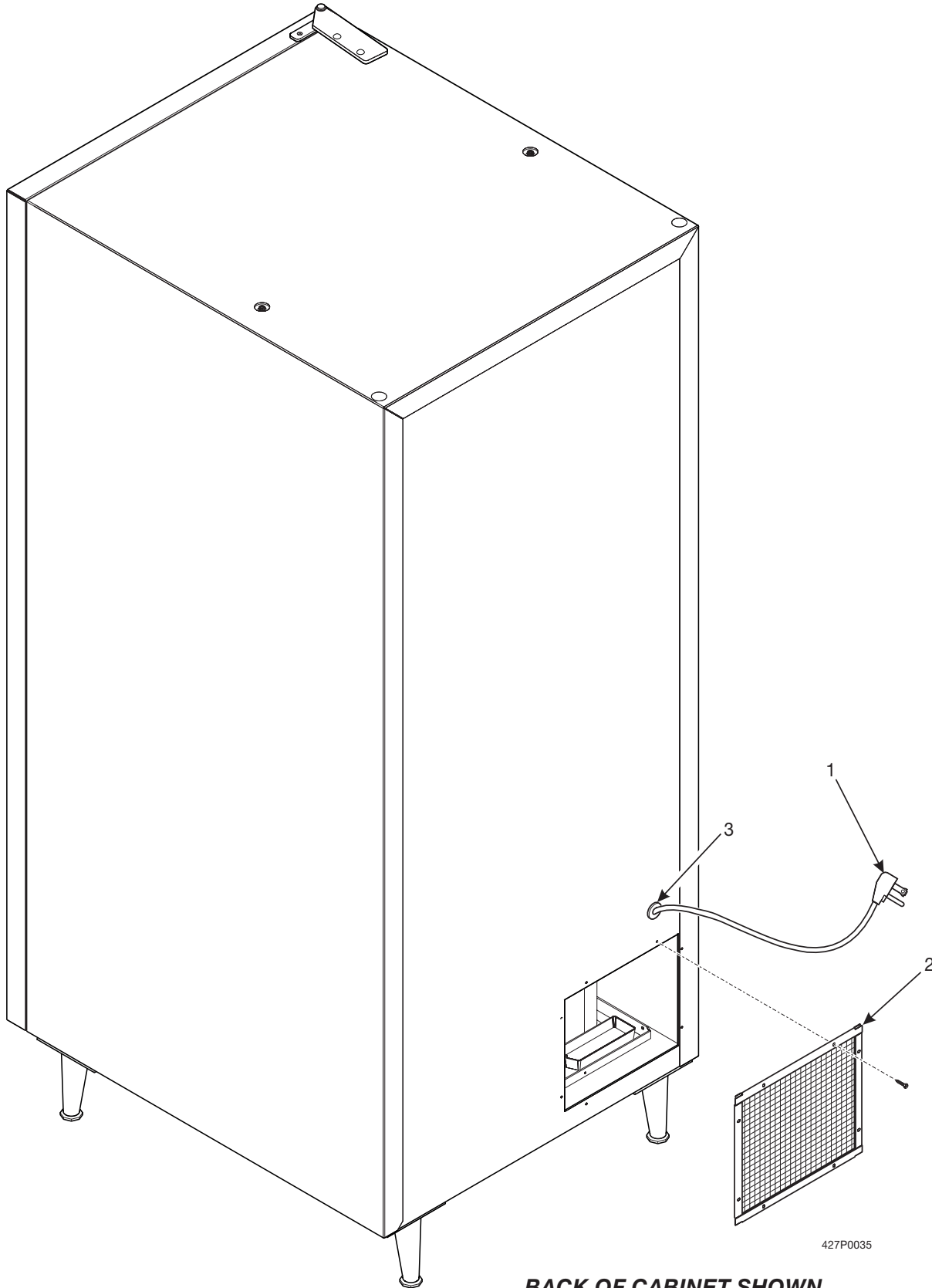


427p0041

Figure 33. Refrigeration Unit Components (Part 4 of 4)

**TABLE 33. REFRIGERATION UNIT COMPONENTS (PART 4 OF 4)**

INDEX	PART NUMBER	DESCRIPTION	QTY.
1	4319008	STARTER SOCKET ASSEMBLY	2
2	4031150	FLUORESCENT LAMP STARTER FS-4	2
3	4732024	RETAINER - HARNESS	1
4	4271057	BUSHING-1.0" - OPEN/CLOSED	1
5	4279015	BALLAST ASSEMBLY - 13W - 115V (U.S.)	2
	6396028	BALLAST ASSEMBLY - 13W - 230V (FR./GER./U.K.)	
6	4271063	COVER - BALLAST	1



427P0035

Figure 34. Cabinet Components - Rear

**TABLE 34. CABINET COMPONENTS - REAR**

	<b>PART NUMBER</b>	<b>DESCRIPTION</b>	
1	9985042	CORD SET - POLARIZED - GROUNDED (U.S.)	1
	9989576	POWER CORD - WITH BSI PLUG (U.K.)	
	9989577	POWER CORD - EURO PLUG (FR./GER.)	
2	4271081	SCREEN ASSEMBLY - REAR	1
3	3104056	BUSHING - STRAIN RELIEF #5R-7W-2	1
-	9989110	FILTER-POWER LINE - EMI (FR./GER./U.K.) (NOT SHOWN)	1
-	9989116	JUMPER - EMI FILTER - 25" (FR./GER./U.K.) (NOT SHOWN)	1

**4279002  
JUMPER - EVAPORATOR FAN SWITCH**



**4279003  
FLUORESCENT LIGHT POWER HARNESS**

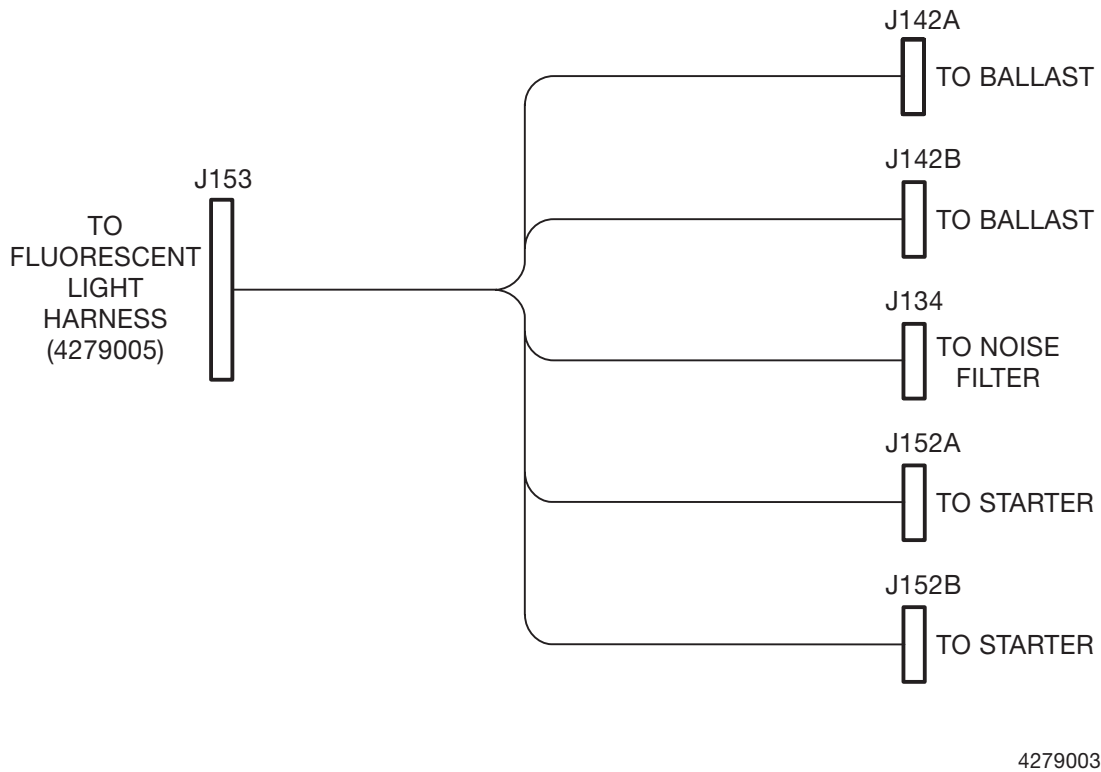
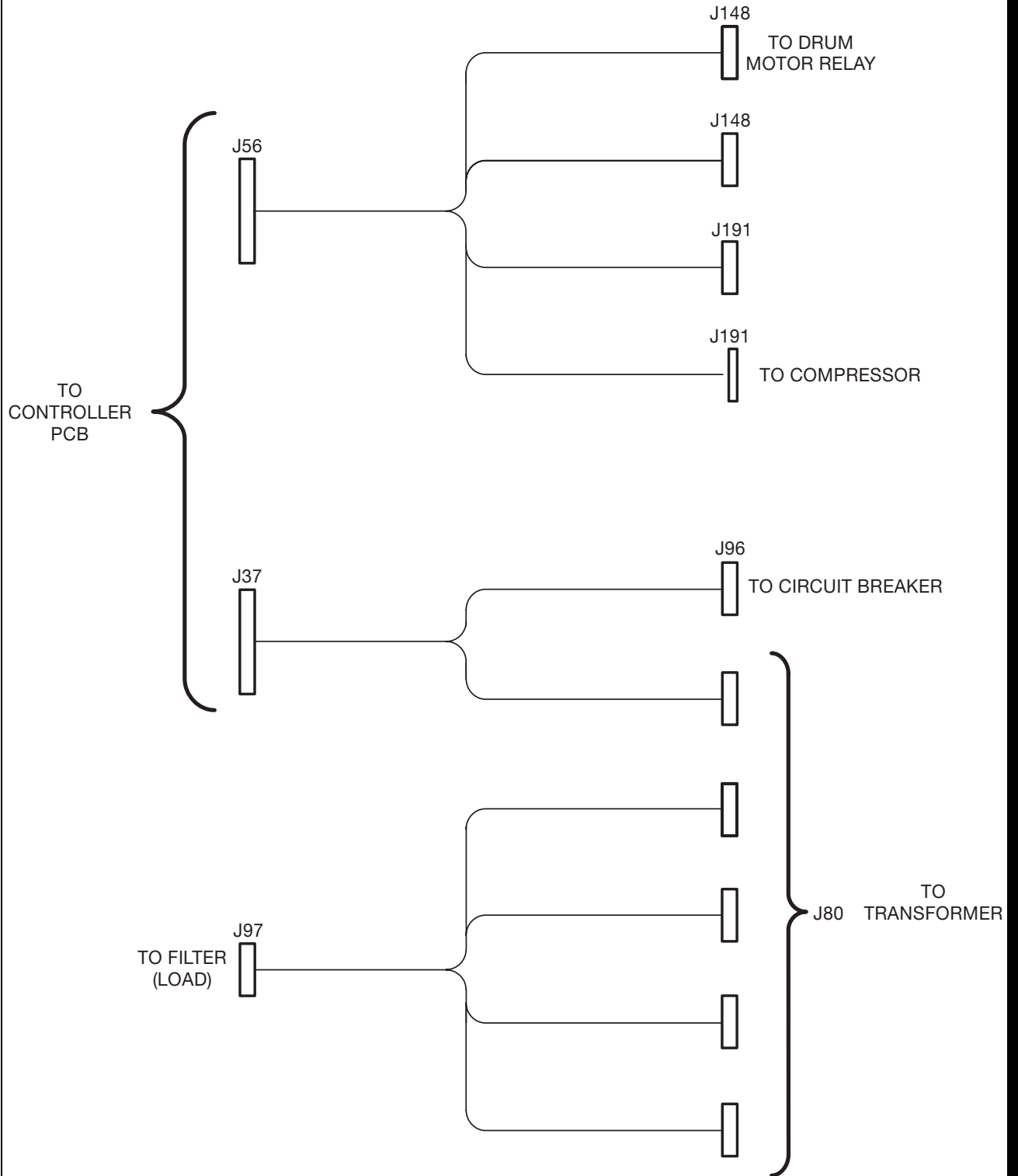


Figure 35. Wiring Harnesses (Part 1 of 6)



**4279004**  
**POWER AND RELAYS TO PCB HARNESS**



4279004

Figure 35. Wiring Harnesses (Part 2 of 6)

**4279005  
FLUORESCENT LIGHT HARNESS**

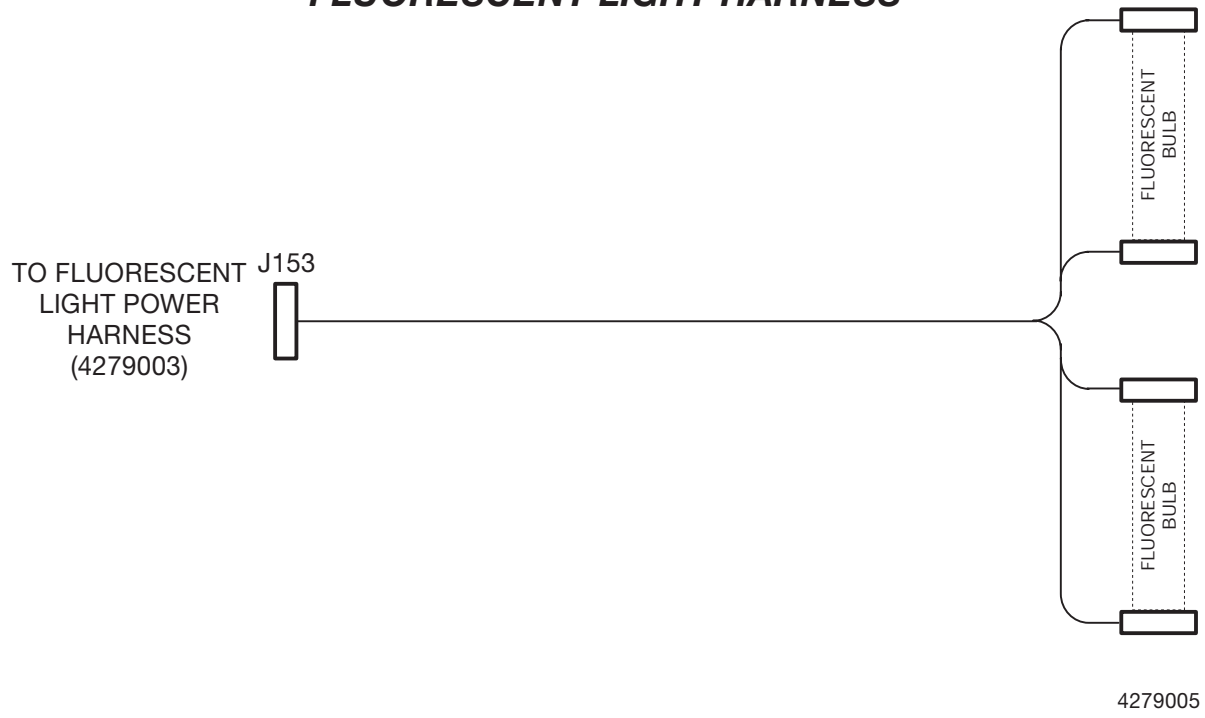
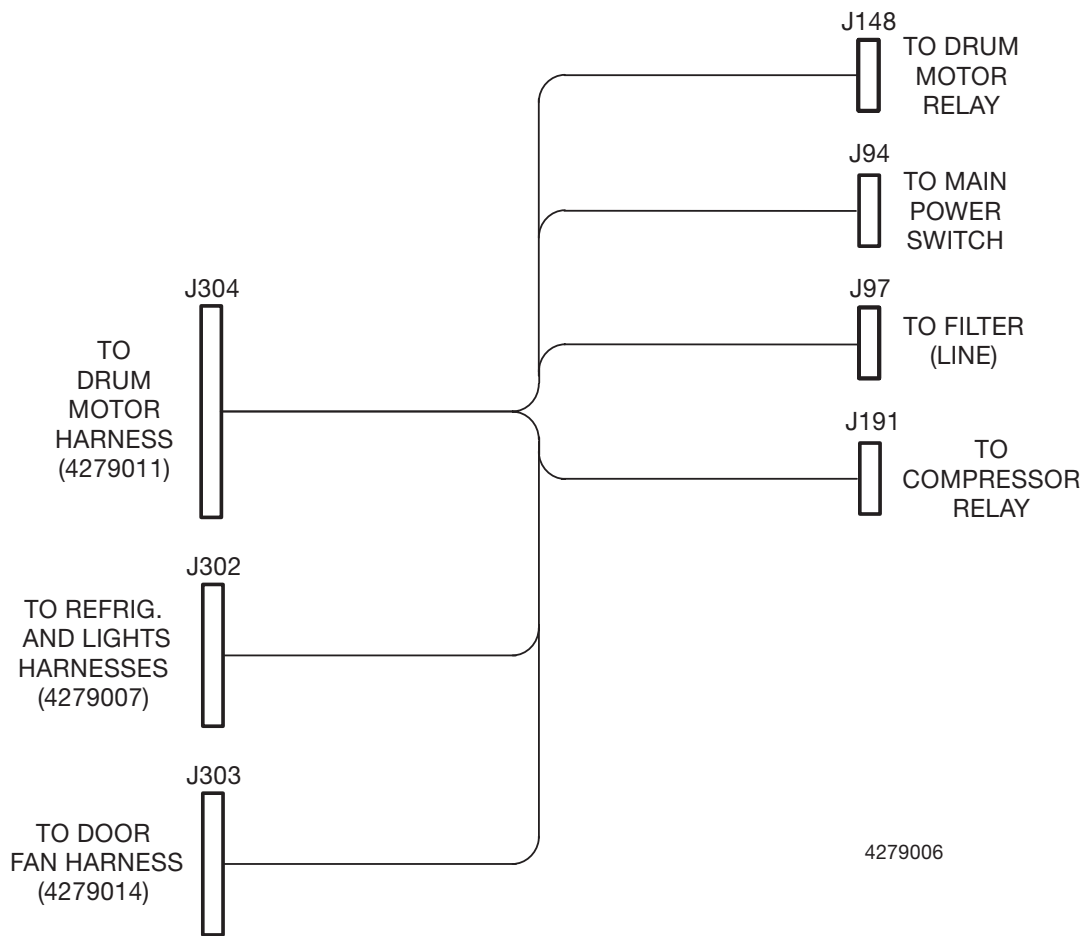


Figure 35. Wiring Harnesses (Part 3 of 6)

**4279006  
POWER PANEL AC HARNESS**



**4279007  
REFRIGERATION & LIGHTS HARNESS**

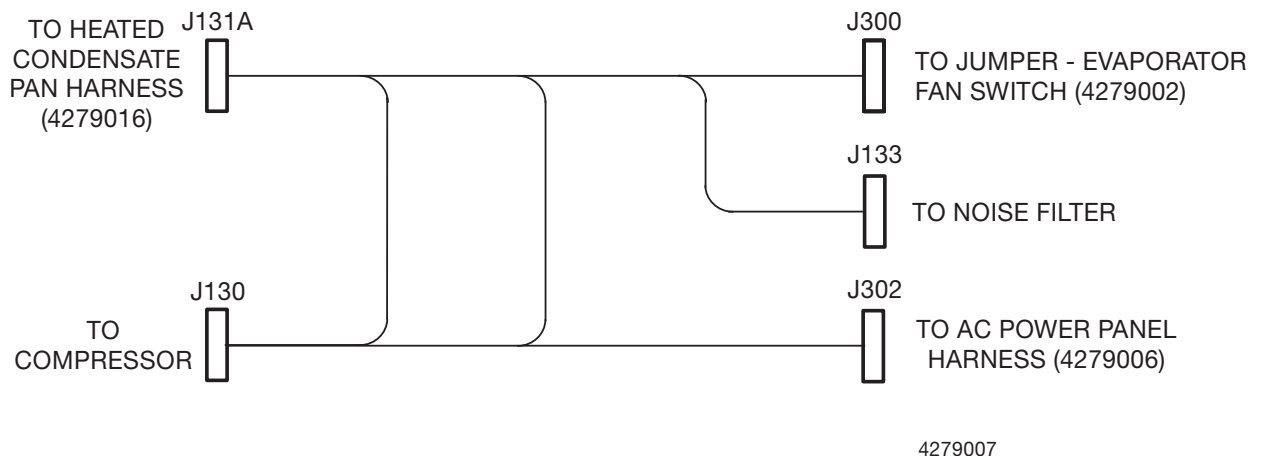
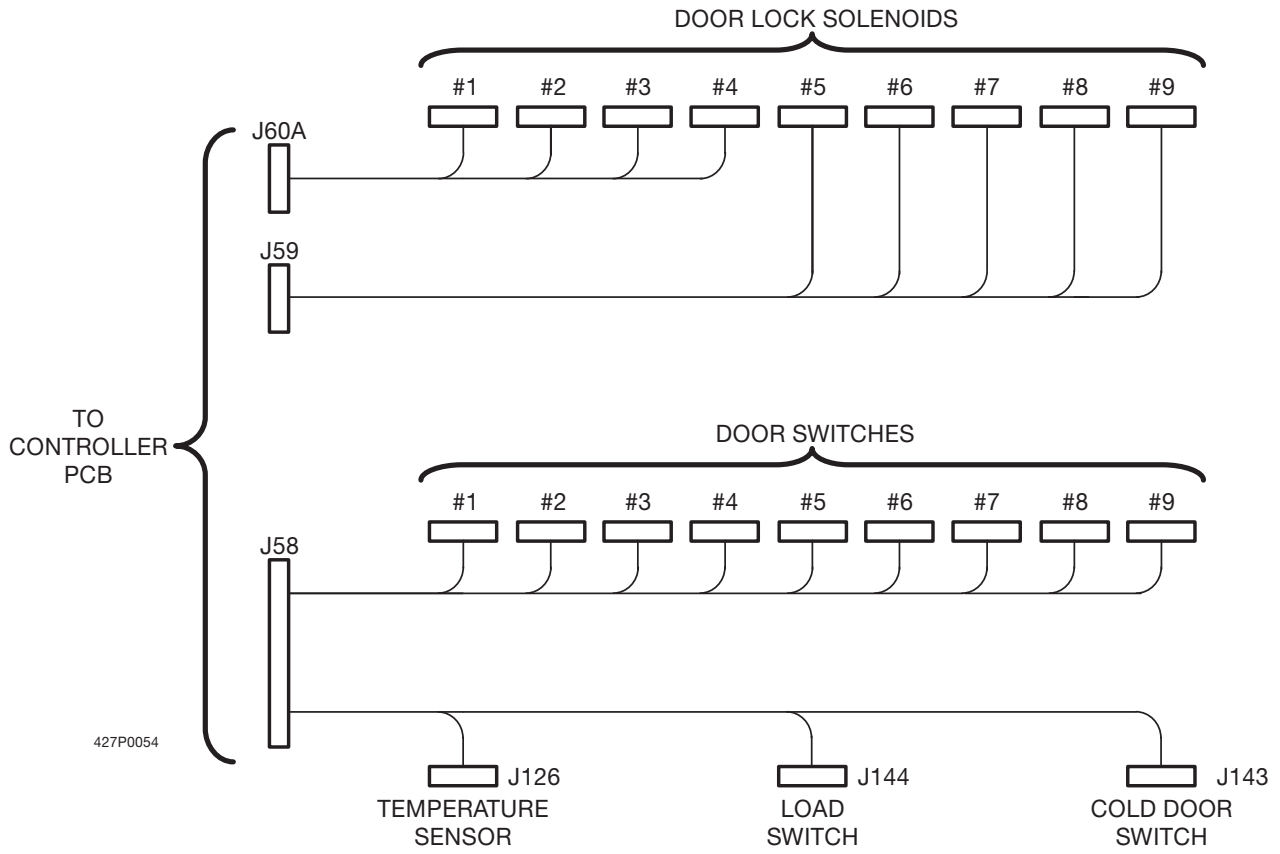


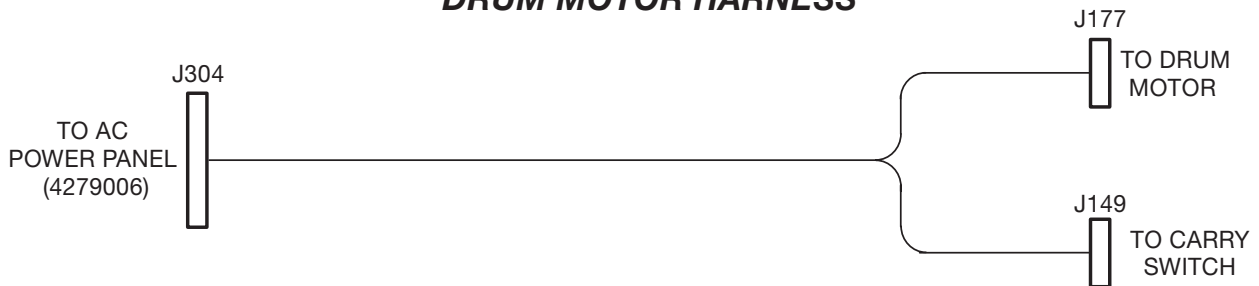
Figure 35. Wiring Harnesses (Part 4 of 6)

**4279010  
SOLENOID HARNESS**



4279010

**4279011  
DRUM MOTOR HARNESS**



4279011

Figure 35. Wiring Harnesses (Part 5 of 6)

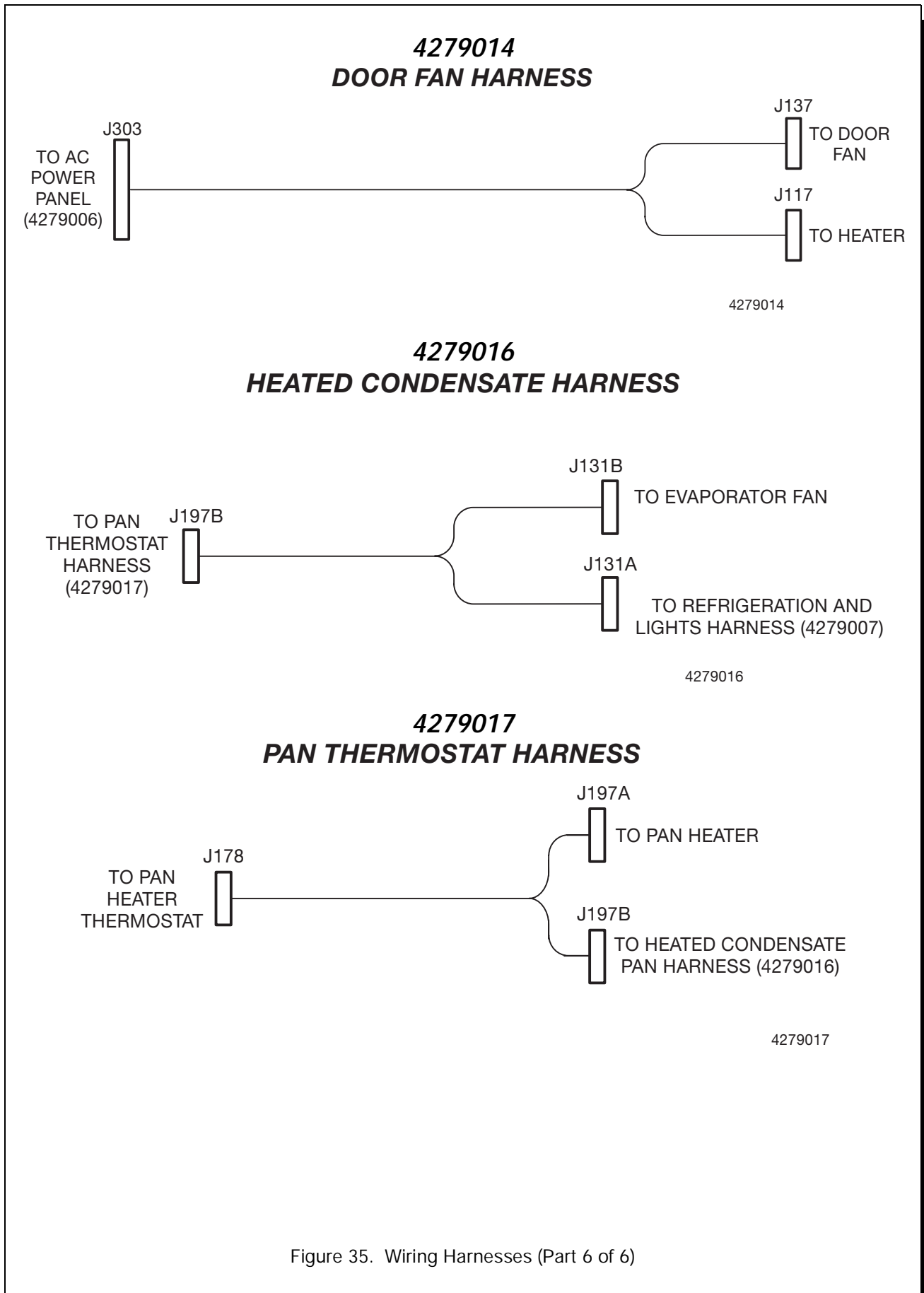


Figure 35. Wiring Harnesses (Part 6 of 6)

# FoodKing Parts Manual

**TABLE 36. MISCELLANEOUS HARNESSSES (NOT SHOWN)**

<b>PART NUMBER</b>	<b>DESCRIPTION</b>
4279013	HARNESS-24V DUMB COIN MECH. (U.S. WITH DUMB COIN MECH)
9989706	HARNESS-MONETARY***"MDB"*** (U.S. WITH MDB)
4279020	HARNESS - GPL - EXEC. MECH (FR./GER./U.K. WITH EXEC.)
9989730	PCB ASSEMBLY - GPL - EXEC. INTERFACE (FR./GER./U.K. WITH EXEC.)

**TABLE 37. BAG ASSEMBLY - U.S. - B4270000**

<b>PART NUMBER</b>	<b>DESCRIPTION</b>	<b>QTY.</b>
4270048	LABELS - PRICE - DOMESTIC - 40 CENTS TO \$3.90	1
4270021	WIRING DIAGRAM PACKAGE - 115/230 VOLT	1
4270022	COLUMN NUMBER CARD	-
4270025	LABEL - LOCATE FOOD HERE	1
4270040	DOCUMENTATION PACKAGE	1
4270048	LABELS - PRICE - DOMESTIC - 40 CENTS TO \$3.90	1
5920012	BAG - PLASTIC - 12 X 15	1

**TABLE 38. BAG ASSEMBLY - U.K. - B4270003**

<b>PART NUMBER</b>	<b>DESCRIPTION</b>	<b>QTY.</b>
4270022	COLUMN NUMBER CARD	-
4270025	LABEL - LOCATE FOOD HERE	1
4270037	WIRING DIAGRAM PACKAGE - 115/230V - GPL/POLYVEND	1
4270040	DOCUMENTATION PACKAGE	1
4270041	LABELS - PRICE - UK - 25P THRU 2£ 60P	1
4270042	LABELS - PRICE - UK - 2£ 65P THRU 3£ 5P	1
5920012	BAG - PLASTIC - 12 X 15	1

**TABLE 39. BAG ASSEMBLY - FRANCE - B4270001**

PART NUMBER	DESCRIPTION	QTY.
4270022	COLUMN NUMBER CARD	-
4270032	LABEL - LOCATE FOOD HERE - FRENCH	1
4270034	LIST - BAG ASSEMBLY B4270001 CONTENTS	1
4270037	WIRING DIAGRAM PACKAGE - 115/230V - GPL/POLYVEND	1
4270040	DOCUMENTATION PACKAGE	1
5920012	BAG - PLASTIC - 12 X 15	1

**TABLE 40. BAG ASSEMBLY - GERMANY - B4270002**

PART NUMBER	DESCRIPTION	QTY.
4270022	COLUMN NUMBER CARD	-
4270033	LABEL - LOCATE FOOD HERE - GERMAN	1
4270035	LIST - BAG ASSEMBLY B4270002 CONTENTS	1
4270037	WIRING DIAGRAM PACKAGE - 115/230V - GPL/POLYVEND	1
4270040	DOCUMENTATION PACKAGE	1
4270044	LABELS - PRICE - INTERNATIONAL - LO	1
4270045	LABELS - PRICE - INTERNATIONAL - MID	1
4270046	LABELS - PRICE - INTERNATIONAL - HI	1
5920012	BAG - PLASTIC - 12 X 15	1





# PART NUMBER INDEX

Part Number	Page	Part Number	Page
1127808	15, 19	2237002	57
1172190	17	2272052	17
1172191	17	2302053	15
1217159	23	2570810	11
1217161	17	2570811	11
1236050	33	2570812	11
1302289	17	2570814	11
1302291	17	2570815	11
1302324	17	3104056	67
1302326	17	3112163	17
1401110	33	3112164	17
1411194	37	3157060	51, 53, 55
1411195	37	3502097	31
1451056	51, 53	4031148	47
1452139	31	4031150	65
1472179	27	4043065	63
1472222	9	4047056	49
1472223	9	4119013	31
1472250	27	4245082	15
1472251	9	4245084	15
1475026	19	4248083	15
1475072	19	4252029	33
1475089	9	4270017	9
1570993	11	4270021	74
1570994	11	4270022	74, 75
1570995	11	4270025	1, 74
1571074	37	4270032	75
1571097	19	4270033	75
1571113	19	4270034	75
1572010	3, 15	4270035	75
1572011	15	4270037	74, 75
1572033	5	4270040	74, 75
1572060	7	4270041	74
1575003	19	4270042	74
1575009	9	4270044	75
1575035	19	4270045	75
1575037	19	4270046	75
1575038	19	4270048	74
1575047	15	4270812	3, 5, 13
1575048	15, 19	4270814	1
1592031	5, 7	4270840	11
1592032	5, 7	4270841	11
1592063	5	4270842	11
1592068	5, 7	4270843	11
1592069	5, 7	4270844	11
1592077	7	4270845	11
1592078	7	4270846	11
1595013	9	4270851	11
2204093	19	4270852	11
2222110	7	4270853	11

# FoodKing Parts Manual

Part Number	Page	Part Number	Page
4271001	55	4272054	5
4271002	55	4272055	5
4271004	55	4272057	23
4271007	47	4272058	23, 25
4271025	45	4272059	23
4271026	45	4272061	23
4271028	45	4272065	27
4271029	45	4272066	19
4271031	3, 11, 21	4272068	5, 7
4271038	55	4272069	5, 7
4271039	55	4272070	23
4271040	47	4272078	23
4271048	51	4272079	23, 25
4271056	47	4272081	19
4271057	25, 31, 65	4272083	25
4271059	45	4272089	7
4271063	65	4272091	7
4271065	55	4272093	31
4271066	13, 37	4273000	11, 13
4271080	55	4273004	33
4271081	67	4273006	29
4271085	1	4273007	33
4271086	47	4273019	33
4271087	45	4273021	35
4271088	55	4273022	35
4271089	51, 57	4273023	35
4271090	43	4273024	35
4271091	43	4273025	35
4271092	39	4273039	29
4271098	25	4273044	31
4271099	43	4273045	35
4271101	55	4273049	39
4271103	37	4273050	33
4271105	37	4273052	35
4271106	53, 57	4273054	41
4271107	51, 57	4273056	41
4271108	55	4273062	29, 35
4271109	39	4273079	33
4271127	53	4273080	31
4271129	51, 53, 57	4273081	29
4272000	3, 5, 13	4273082	33
4272002	25	4273084	33
4272003	19	4273086	43
4272015	23	4273088	33
4272028	5, 7	4273089	33
4272031	5, 7	4273090	33
4272035	5	4273094	33
4272037	5	4273097	39
4272039	5	4273101	39
4272040	5, 7	4273102	41
4272052	23	4273104	1
4272053	23	4274008	59

# FoodKing Parts Manual

Part Number	Page	Part Number	Page
4274009	59	4277039	13, 43
4274010	59	4277043	43
4274021	61	4279002	68
4274032	57	4279003	68
4274033	57, 59	4279004	69
4274035	57	4279005	70
4274054	63	4279006	71
4274055	63	4279007	71
4274056	59	4279010	72
4274057	59	4279011	72
4274060	61	4279013	74
4274061	61	4279014	25, 73
4274063	61	4279015	65
4274066	61	4279016	73
4274078	61	4279017	73
4274079	61	4279020	74
4274082	61	4302290	17
4274084	61	4302319	33
4274099	57	4302556	25
4274120	59	4304231	63
4274134	57	4312051	25
4274137	57	4314054	59
4274139	57	4314089	63
4274140	57	4319008	65
4275001	15	4402037	59
4275002	15, 19	4407042	57
4275005	21	4520864	21
4275006	19	4521035	21
4275007	19	4525002	9
4275009	9	4614027	41
4275011	19	4732024	51, 53, 65
4275012	19	5201266	31
4275013	19	5262141	55
4275014	9	5305318	19
4275019	9	5900214	11
4275080	19	5900217	11
4276000	11, 19	5920012	74, 75
4277000	13	6104219	55
4277004	43	6104424	59
4277011	43	6106341	23
4277012	43	6231037	19
4277013	55	6231087	37
4277014	43	6231189	25
4277015	49	6231216	25
4277020	49	6231229	25
4277021	49	6231242	15
4277026	49	6369000	61
4277030	49	6396028	65
4277031	43	6400804	11
4277034	55	6400805	11
4277035	55	9900039	59
4277038	55	9900078	7

# FoodKing Parts Manual

Part Number	Page	Part Number	Page
9900081 .....	7, 19, 61	9989577 .....	67
9900098 .....	37	9989674 .....	51, 53
9900115 .....	61	9989677 .....	51, 53
9900121 .....	17	9989706 .....	74
9900140 .....	33	9989730 .....	74
9984625 .....	9	9992400 .....	17
9984627 .....	53		
9984629 .....	51	B	
9985042 .....	67	B4270000 .....	74
9989046 .....	51, 53	B4270001 .....	75
9989100 .....	51, 53	B4270002 .....	75
9989110 .....	67	B4270003 .....	74
9989116 .....	67		
9989576 .....	67	G	
		G1472027 .....	57
		G1472028 .....	7