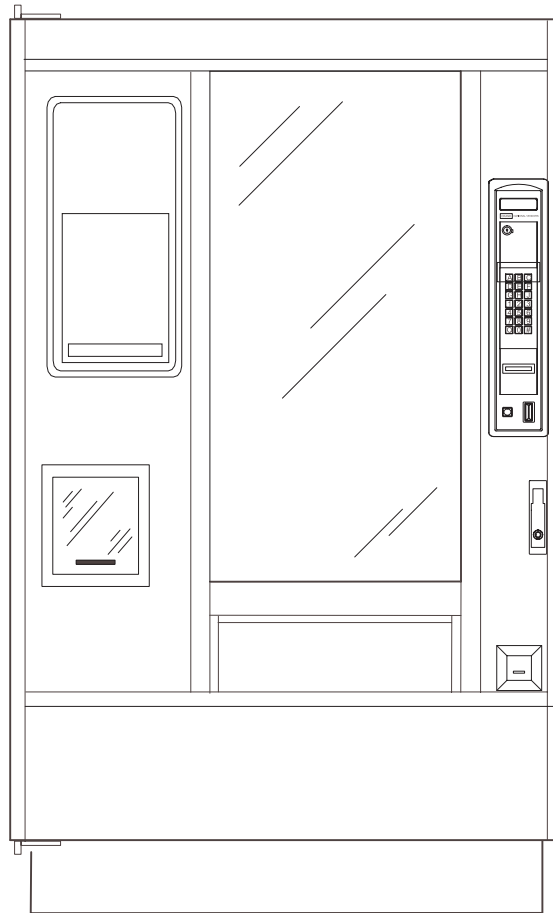


Model 451

Instant Noodle Merchandiser



PARTS MANUAL

CRANE NATIONAL VENDORS
12955 Enterprise Way
Bridgeton, Missouri 63044-1200
(314) 298-3500
www.nationalvendors.com



Instant Noodle Merchandiser Parts Manual

List of Figures

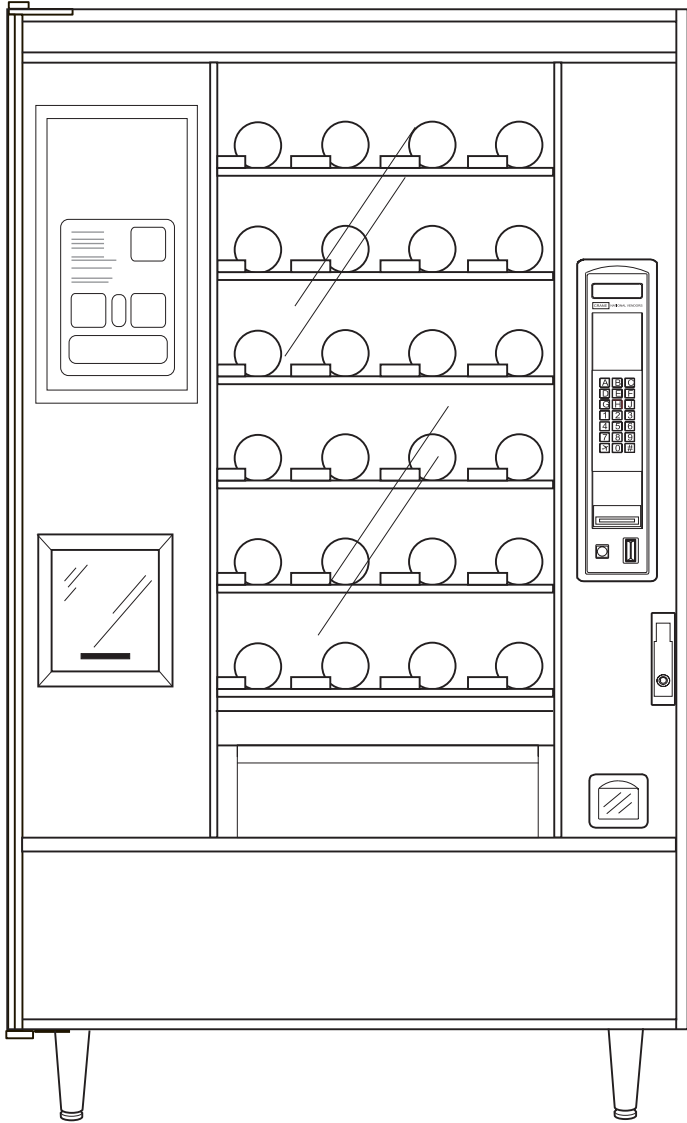
Figure	Title	Page
1.	Door Assembly	2
2.	Door Lock Assembly	4
3.	Interior Door Parts - Right Side.....	6
4.	Coin Cup Assembly	8
5.	Interior Door Parts - Left Side	10
6.	Delivery Door Lockout Assembly.....	12
7.	Light Assembly - Upper Door	14
8.	Rotary Delivery Door Assembly	16
9.	Door Hinge Assemblies.....	18
10.	Cup Station Assembly	20
11.	Water Tank Assembly	22
12.	Water Tank Lid Assembly.....	24
13.	Water Tank Float Assembly	26
14.	Everpure Filter Head and Bracket Assembly	28
15.	Hydrolife Filter Assembly	30
16.	Bracket and Blower Assembly	32
17.	Blower - Exhaust Fan	34
18.	Tray Assemblies	36
19.	Tray Rail and PCB Assembly Details	38
20.	Monetary Panel Assembly - Part 1	40
21.	Selection Panel Assembly	42
22.	Monetary Panel Assembly - Part 2	44
23.	Coin Mechanism, Bill Validator, and Card Reader Installation.....	46
24.	Monetary Panel Assembly - Part 3	50
25.	Power Panel Assembly - Domestic	52
26.	Power Panel Assembly - 100 Volt - 50/60 Hz.....	54
27.	Money Box Assembly	56
28.	Power Cord Assembly	58
29.	Hot Water PCB Assembly	60
30.	Miscellaneous Components - Hot Water Section.....	62
31.	Leg and Leveler Assemblies.....	64

Instant Noodle Merchandiser Parts Manual

List of Tables

Table	Title	Page
1.	Door Assembly	3
2.	Door Lock Assembly	5
3.	Interior Door Parts - Right Side	7
4.	Coin Cup Assembly	9
5.	Interior Door Parts - Left Side	11
6.	Delivery Door Lockout Assembly	13
7.	Light Assembly - Upper Door	15
8.	Rotary Delivery Door Assembly	17
9.	Door Hinge Assemblies	19
10.	Cup Station Assembly	21
11.	Water Tank Assembly	23
12.	Water Tank Lid Assembly	25
13.	Water Tank Float Assembly	27
14.	Everpure Filter Head and Bracket Assembly	29
15.	Hydrolife Filter Assembly	31
16.	Bracket and Blower Assembly	33
17.	Blower - Exhaust Fan	35
18.	Tray Assemblies	37
19.	Tray Rail and PCB Assembly Details.....	39
19A.	spiral options	39
20.	Monetary Panel Assembly - Part 1	41
21.	Selection Panel Assembly.....	43
22.	Monetary Panel Assembly - Part 2	45
23.	Coin Mechanism, Bill Validator, and Card Reader Installation	47
23A.	Monetary Location Options	47
23B.	Bill Validator Options	48
23C.	Card Reader Options	48
23D.	Coin Mechanism Options	49
24.	Monetary Panel Assembly - Part 3	51
25.	Power Panel Assembly - Domestic.....	53
26.	Power Panel Assembly - 100 Volt - 50/60 Hz.....	55
27.	Money Box Assembly	57
28.	Power Cord Assembly	59
29.	Hot Water PCB Assembly	61
30.	Miscellaneous Components - Hot Water Section	63
31.	Leg and Leveler Assemblies.....	65
32.	B4510000 - Bag Assembly-15 (U.S./Can)	65
33.	B4510001 - Bag Assembly-1	66
34.	Wiring Harnesses	67

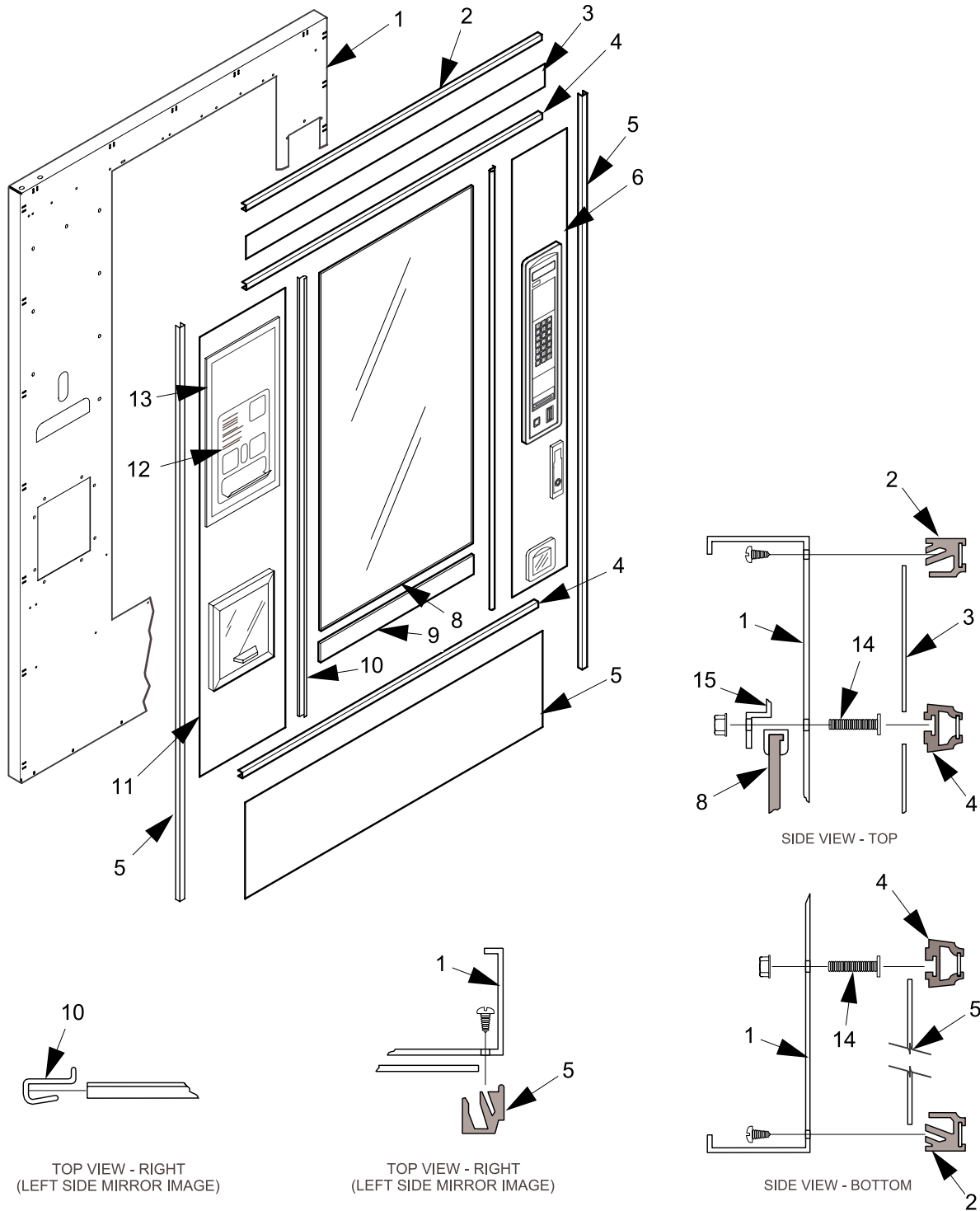
Instant Noodle Merchandiser Parts Manual



451p0004

Instant Noodle Merchandiser, Model 451

Instant Noodle Merchandiser Parts Manual



451p0005

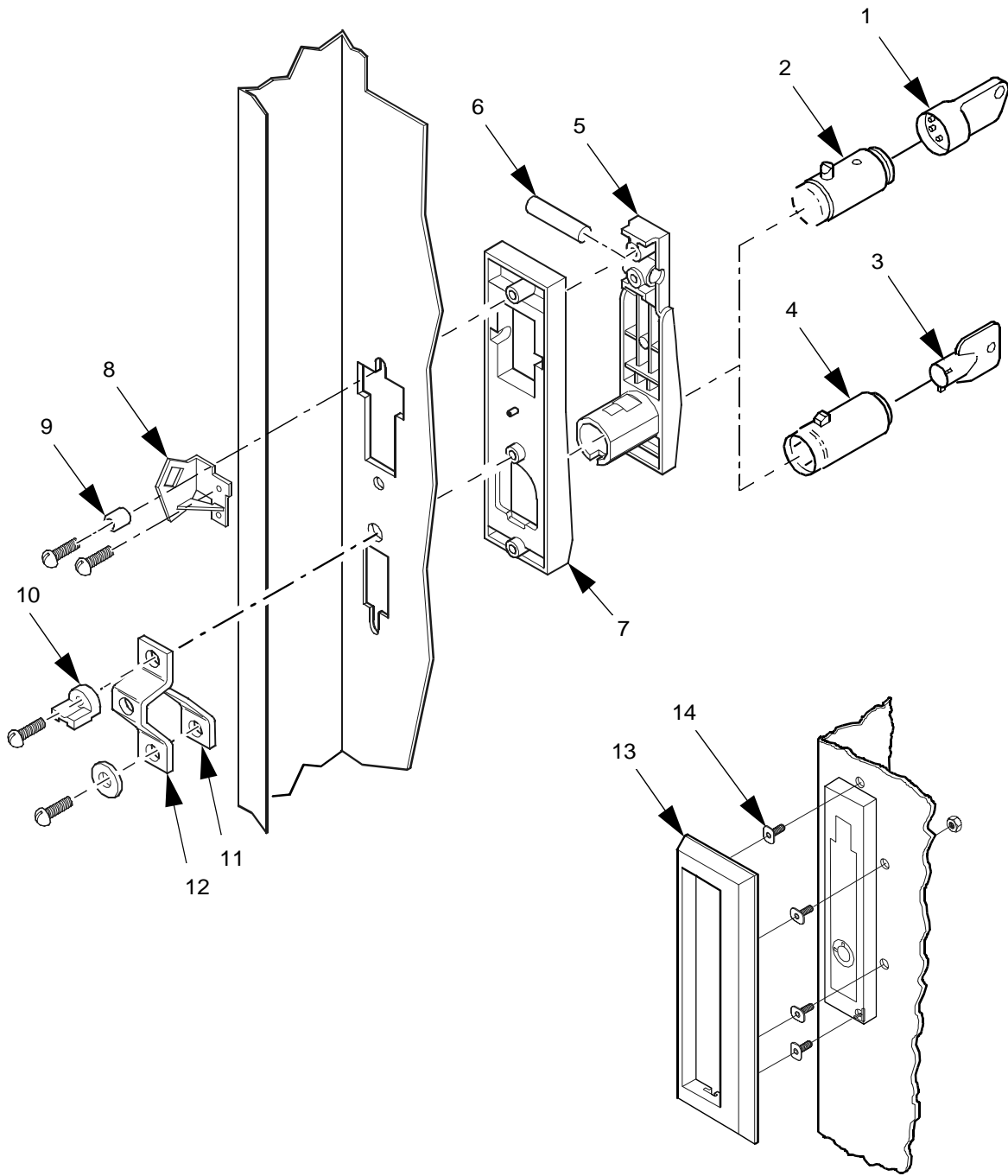
Figure 1. Door Assembly

Instant Noodle Merchandiser Parts Manual

TABLE 1. DOOR ASSEMBLY

INDEX	PART NUMBER	DESCRIPTION	QTY
1	4512021	DOOR WELD ASSEMBLY-N.V.BLACK	1
2	1472026	TRIM-INSERT (BLACK)	1
3	-	PANEL-TOP TRIM (TABEL 16C)	1
4	1472028	TRIM-DOOR-HORIZONTAL (CLEAR)	1
5	1452203	TRIM DOOR-SIDE-BLACK-IBM	2
6	-	PANEL-R.H.TRIM - (TABLE16C)	1
7	-	PANEL-BOT TRIM - (TABEL 16C)	1
8	1462014	GLASS - DISPLAY	1
9	1462081	TRIM-PANEL-GLASS-LOWER	
9	1462081	TRIM - PANEL GLASS	1
10	1472190	TRIM-VERTICAL	2
11	-	PANEL-L.H.TRIM-NOODLE - (TABLE 16C)	1
12	4508060	LENS-SELECTION INSERT-NOODLE	1
13	4508061	TRIM-SELECT-INSERT-LONG	2
13	4752016	TRIM-SELECT-INSERT-SHORT	2
13	4732038	INSERT CORNER	4
14	2222110	T-BOLT #8-32 NC - 2 THD	15

Instant Noodle Merchandiser Parts Manual



428p0044

Figure 2. Door Lock Assembly

Instant Noodle Merchandiser Parts Manual

TABLE 2. DOOR LOCK ASSEMBLY

INDEX	PART NUMBER	DESCRIPTION	QTY
1	3112164	KEY - VAN LOCK #K5 - STD.COMBINATN	1
2	3112163	CYLINDER - VAN LOCK #4275	1
3	N/A	KEY	1
4	9992400	LOCK CYLINDER #4355 - 19 - A	1
5	1172190	LEVER - LOCK	1
6	1302291	PIVOT - LEVER LOCK	1
7	1172191	BASE - LEVER LOCK	1
8	2272052	ACTUATOR ASSEMBLY - LOCK BAR	1
9	1302289	CUP SPACER	1
10	1302326	SHIELD - LATCH	1
11	1302290	LATCH - LOCK LOWER	1
12	1302324	CATCH - DOOR LATCH	1
13	1572186	DOOR LOCK GUARD - OPTION	1
14	2222031	TEE BOLT TRIM	4

Instant Noodle Merchandiser Parts Manual

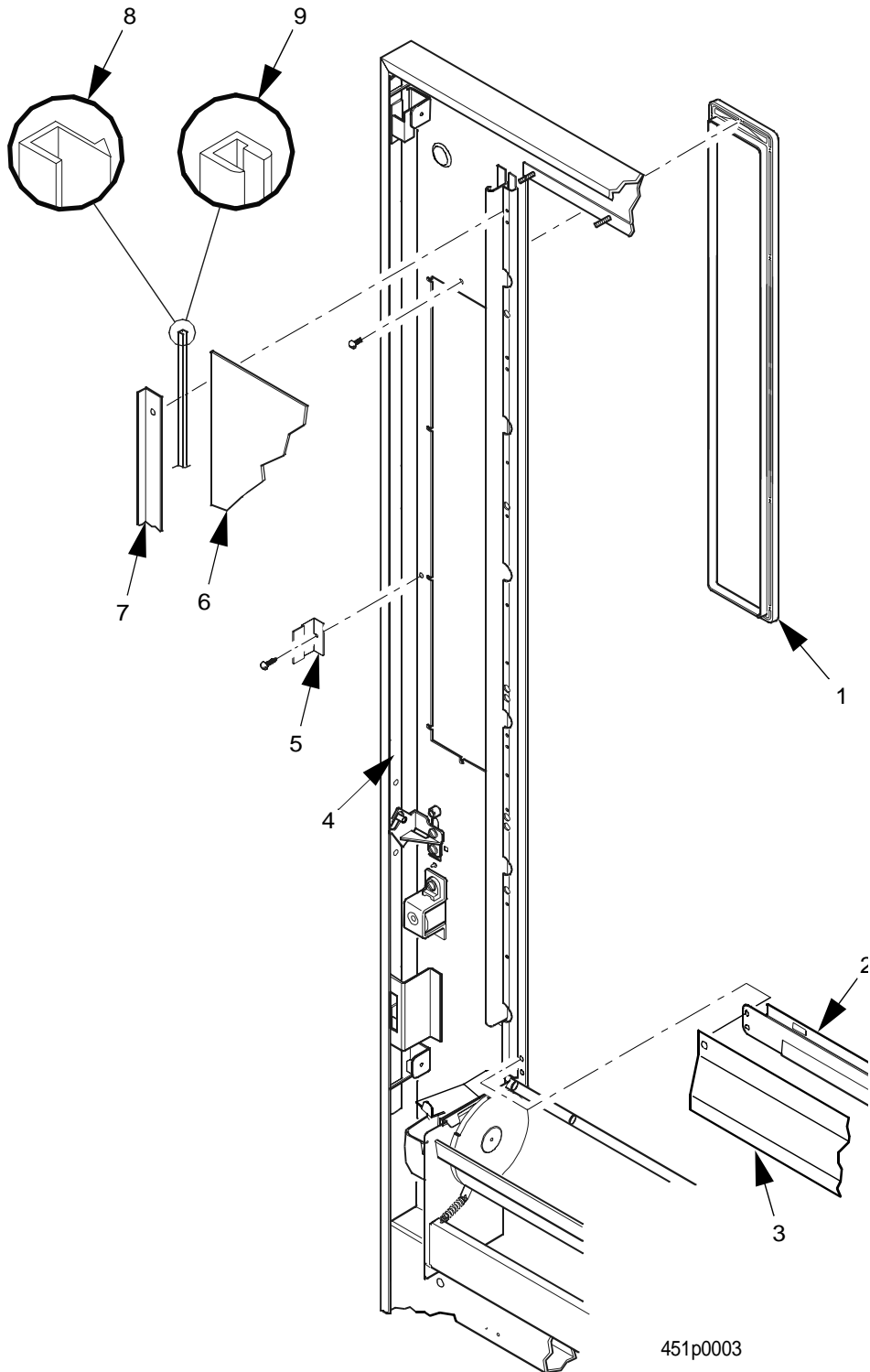


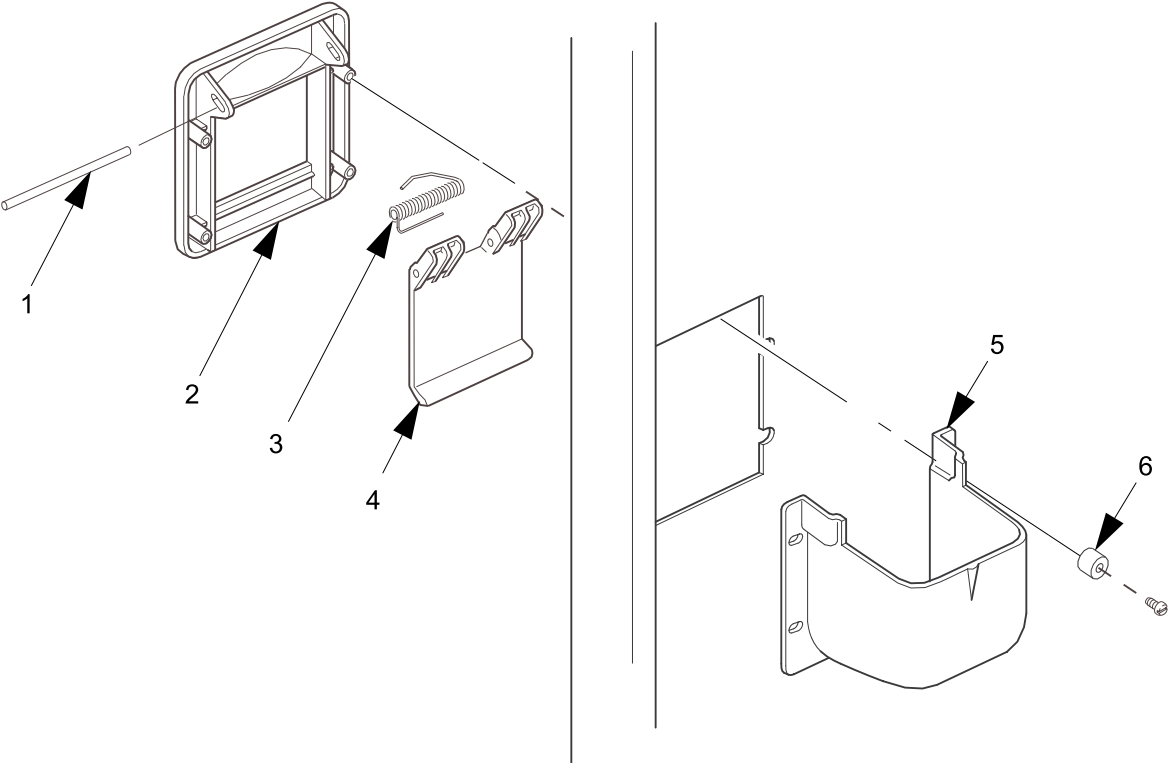
Figure 3. Interior Door Parts - Right Side

Instant Noodle Merchandiser Parts Manual

TABLE 3. INTERIOR DOOR PARTS - RIGHT SIDE

INDEX	PART NUMBER	DESCRIPTION	QTY
-	1462014	GLASS-DISPLAY	1
1	1575047	CASTING-MONETARY FRAME-BLACK	1
2	1482200	PANEL ASSY - GLASS - LOWER	1
3	1482429	PRODUCT DEFLECTOR	1
4	1472178	LOCK BAR ASSEMBLY	1
5	1472250	GUIDE-LOCK BAR	1
6	1462014	GLASS - DISPLAY	1
7	1472048	PLATE-GLASS RETAINING	1
8	1462008	CHANNEL-GLASS-LOWER	1
9	6232092	EXTRUSION-GLASS CHANNEL	2

Instant Noodle Merchandiser Parts Manual



157p0119

Figure 4. Coin Cup Assembly

Instant Noodle Merchandiser Parts Manual

TABLE 4. COIN CUP ASSEMBLY

INDEX	PART NUMBER	DESCRIPTION	QTY
1	4245084	SHAFT - DOOR - COIN RETURN	1
2	1572011	TRIM - COIN RECEPTICLE	1
3	4245083	SPRING COIN RETURN DOOR	1
4	4245082	GATE COIN RETURN	1
5	1572010	CUP - COIN RETURN	1
6	2302053	SPACER CUP	4

Instant Noodle Merchandiser Parts Manual

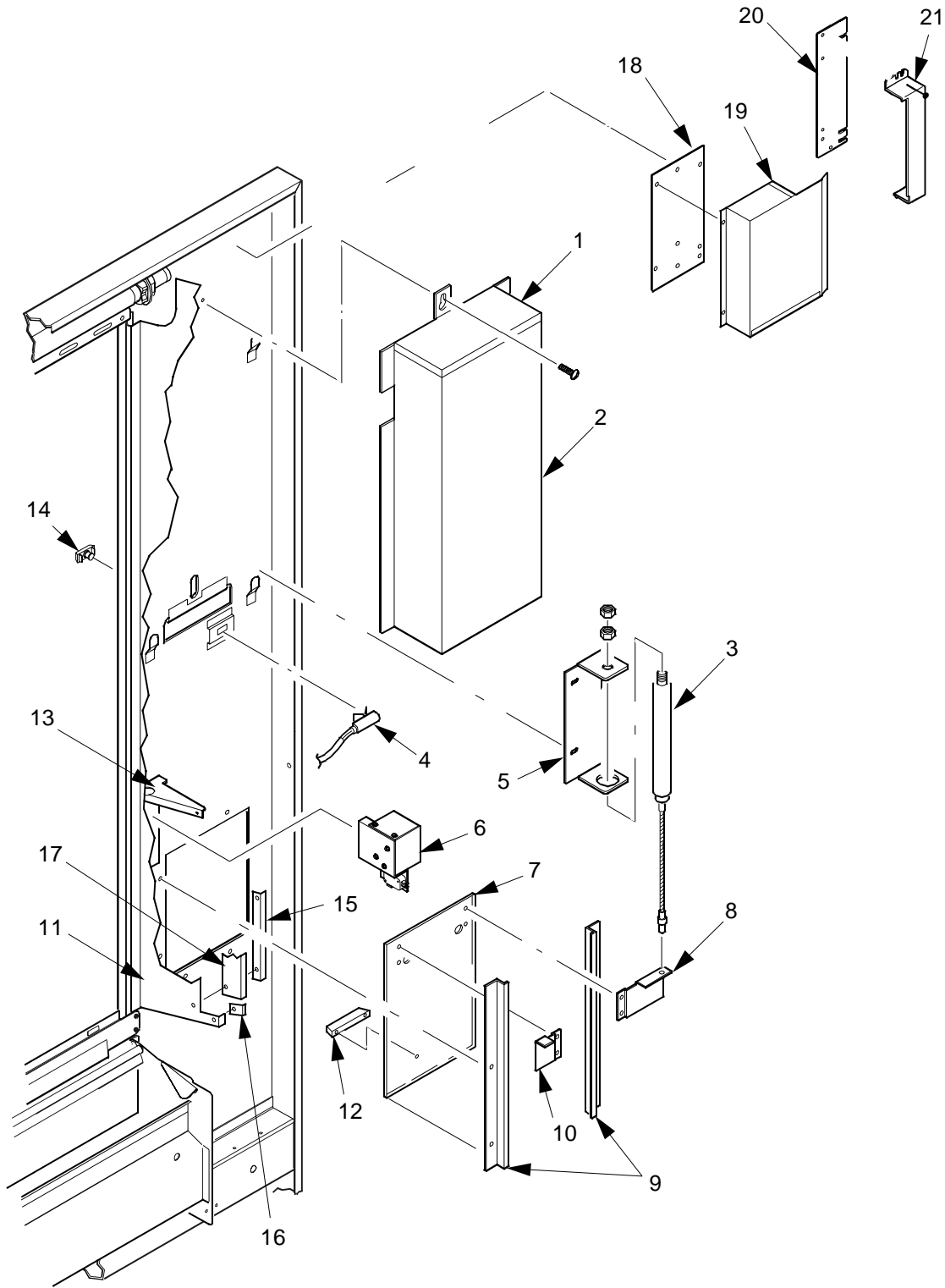


Figure 5. Interior Door Parts - Left Side

Instant Noodle Merchandiser Parts Manual

TABLE 5. INTERIOR DOOR PARTS - LEFT SIDE

INDEX	PART NUMBER	DESCRIPTION	QTY
-	4508072	DELIVERY DOOR & HANDLE ASSY	1
1	4508029	LID-UTENSIL BIN	1
2	4508025	BIN ASSEMBLY-UTENSIL	1
3	4508070	DAMPER-DELIVERY DOOR	1
4	6362019	INDICATOR LAMP-28V	1
5	4508068	BRACKET-MOUNTING-DOOR DAMPER	1
6	4512008	LOCKOUT ASSY-DELIVERY DOOR	1
7	4508063	DOOR-DELIVERY-NOODLE	1
8	4508064	ARM-DELIVERY DOOR-L.H.	1
9	4852080	DOOR GUIDE-CUP STATION	2
10	4508065	ARM-DELIVERY DOOR-R.H.	1
11	4752002	END PLATE-DISPLAY-L.H.	1
12	4732026	HANDLE-DELIVERY DOOR	1
13	4508069	GUSSET-END PLATE-NOODLE	1
14	6362021	LENS-RECTANGULAR-RED	1
15	4722024	ANGLE - END PLATE SHIELD	1
16	4722025	BRACKET - END PLATE SHIELD	1
17	4752005	SHIELD - DISPLAY END PLATE	1
18	4512013	MTG. PLATE - BALLAST FOREIGN	1
19	4512014	COVER - BALLAST - FOREIGN	1
20	1572046	PLATE-BALLAST-FOREIGN	1
21	1572047	COVER-BALLAST-EUROPE	1

Instant Noodle Merchandiser Parts Manual

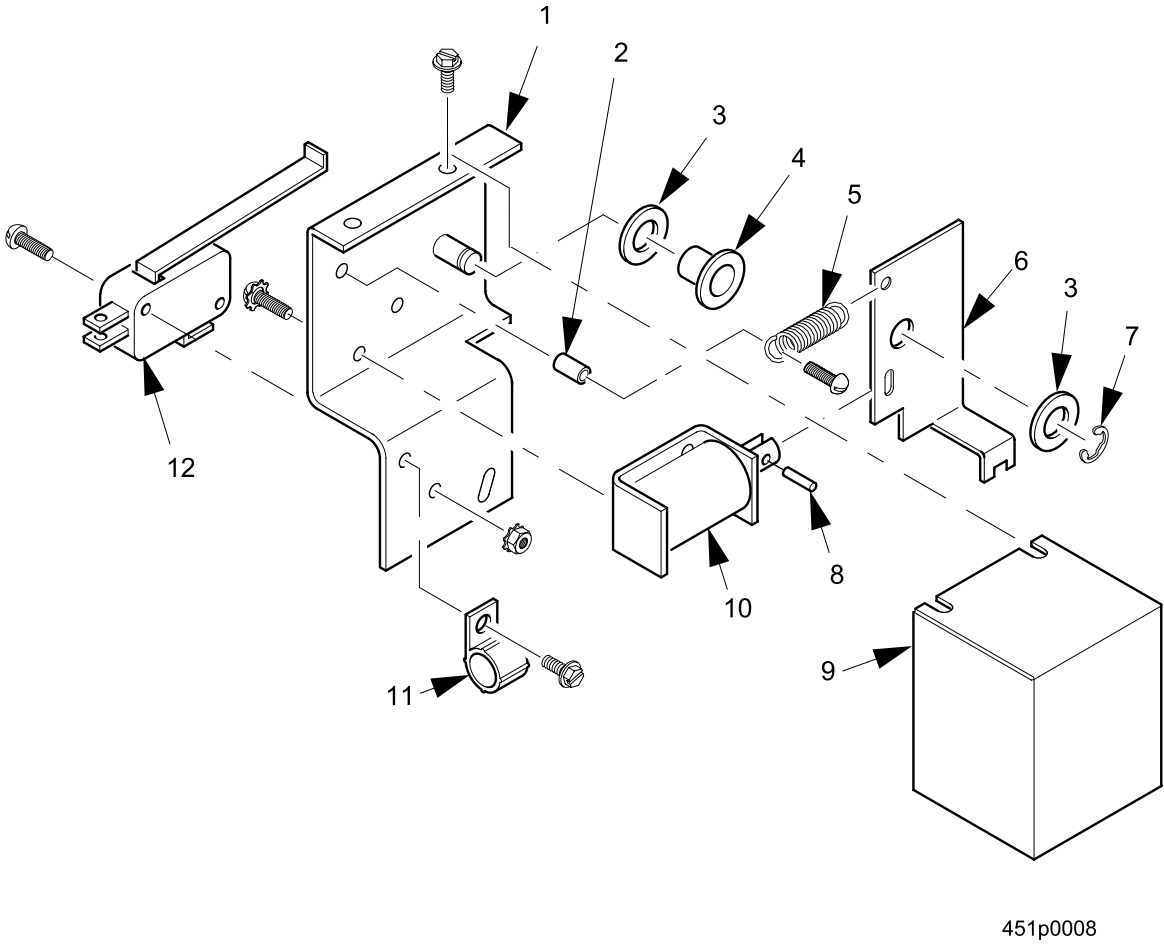


Figure 6. Delivery Door Lockout Assembly

Instant Noodle Merchandiser Parts Manual

TABLE 6. DELIVERY DOOR LOCKOUT ASSEMBLY

INDEX	PART NUMBER	DESCRIPTION	QTY
-	4512008	LOCKOUT ASSEMBLY-DELIVERY DOOR	1
1	4512010	BRACKET ASSEMBLY-SOLENOID	1
2	2351063	SPACER-LATCH SPRING	1
3	9900171	WASHER BRASS 9/16 X.315 X.040	2
4	2351067	SPACER-LATCH PIVOT	1
5	2351060	SPRING-SOLENOID LOCK	1
6	4508093	LATCH-DOOR LOCK	1
7	9900146	RETAINING RING E TYPE .312	1
8	5220463	ROLL PIN .093 X 7/16	1
9	4512012	COVER-LOCKOUT ASSEMBLY	1
10	4252030	SOLENOID-24 VDC	1
11	1452139	RETAINER HARNESS	1
12	3113002	SWITCH FORMED LEVER V3L-1430-D	1

Instant Noodle Merchandiser Parts Manual

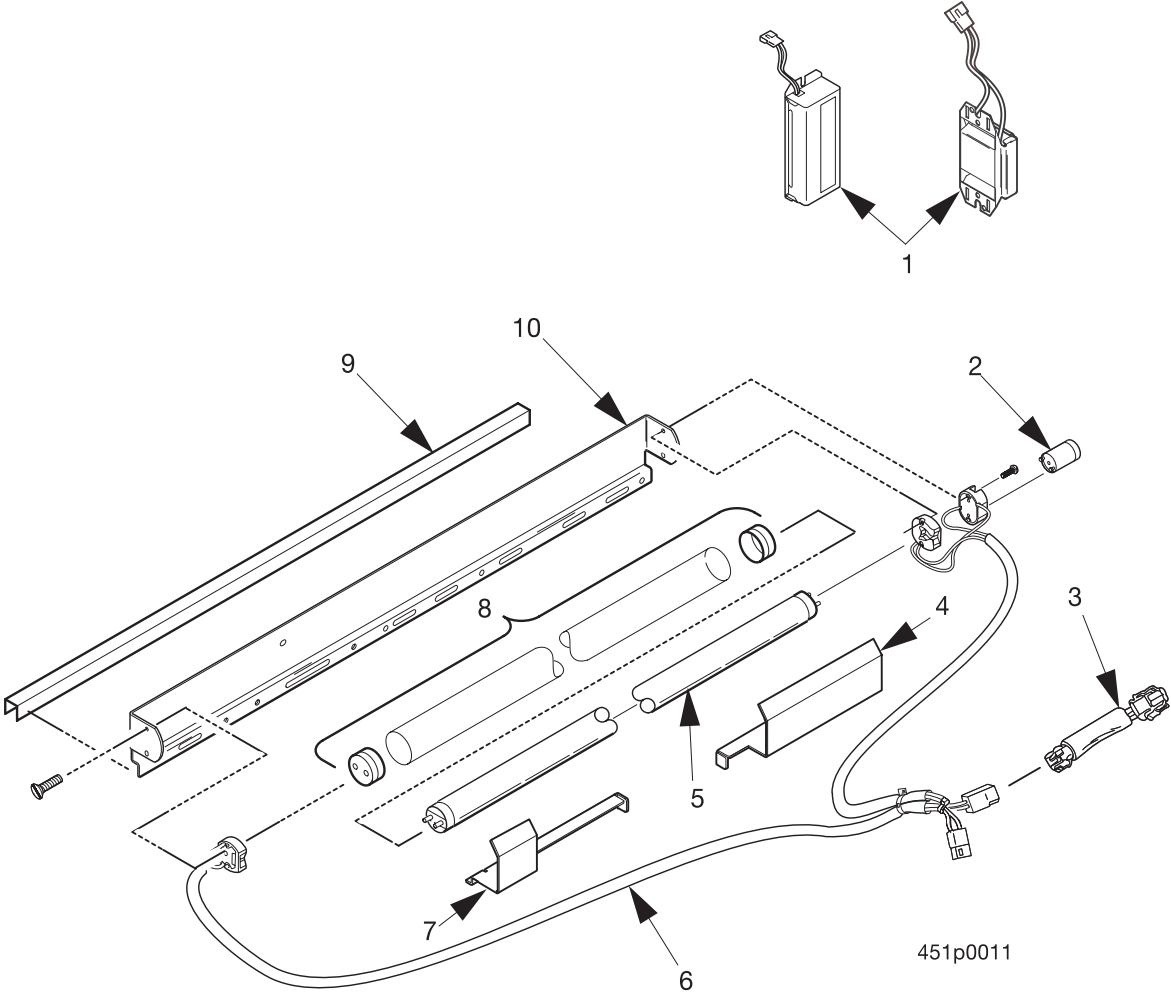


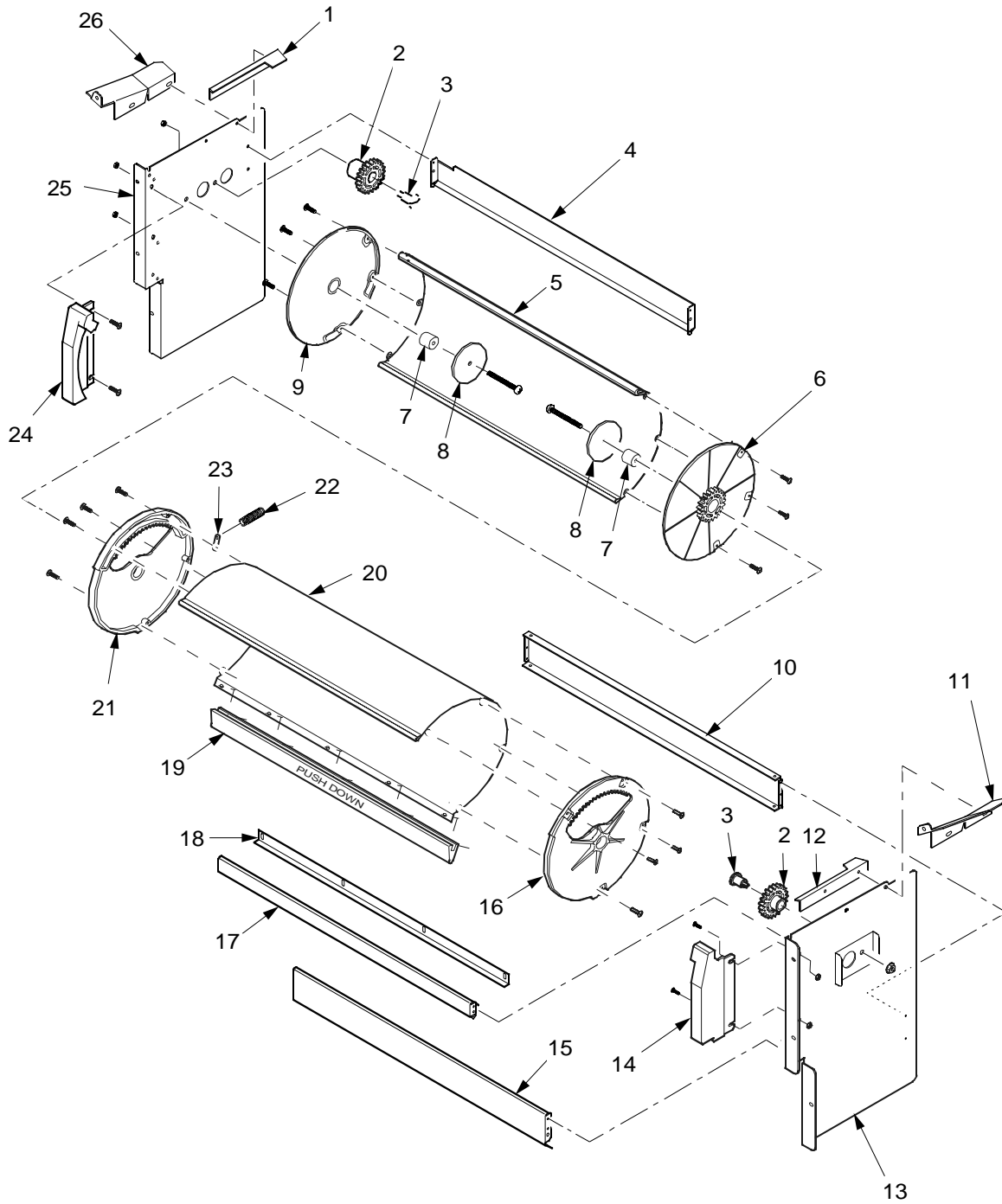
Figure 7. Light Assembly - Upper Door

Instant Noodle Merchandiser Parts Manual

TABLE 7. LIGHT ASSEMBLY - UPPER DOOR

INDEX	PART NUMBER	DESCRIPTION	QTY
-	1702003	LIGHT ASSEMBLY-UPPER-DOOR	1
	1582032	LIGHT ASSEMBLY - UPPER DOOR - JAPAN	
-	3104056	BUSHING #SR-7W-2 (NOT SHOWN)	1
1	3151058	BALLAST ASSEMBLY-14/20 WATT	1
	1572016	BALLAST ASSEMBLY - 20W - 230 V	
	1572246	BALLAST - 20W - 100 V - 50/60 HZ (JAPAN)	
2	2222095	FLUORESCENT LAMP STARTER FS-2	1
	9989533	STARTER - FLUORESCENT LAMP - FG-1P W/CONDENSER (JAPAN)	
3	1679006	LIGHT & FILTER HARNESS ASSEMBLY.	1
	1679005	FLUORESCENT LIGHT FILTER - 120/230 V	
4	1572045	COVER - LIGHT SOCKET - LEFT (230 V MODELS)	1
5	1122138	FLUORESCENT LAMP #F20T12/CW	1
	4762015	FLUORESCENT LAMP - FL20SW,T10,B1P14 BASE, 20W, COOL WHITE - 50/CS	
6	1679006	HARNESS - DOOR FLUORESCENT LIGHT	1
7	1572044	COVER - LIGHT SOCKET - RIGHT (230 V MODELS)	1
8	4532008	SAFETY SLEEVE ASSEMBLY	1
9	1582085	SPACER - LIGHT BRACKET	1
10	1582025	BRACKET-LIGHT-COMMON-20WATT	1

Instant Noodle Merchandiser Parts Manual



451p00014

Figure 8. Rotary Delivery Door Assembly

Instant Noodle Merchandiser Parts Manual

TABLE 8. ROTARY DELIVERY DOOR ASSEMBLY

INDEX	PART NUMBER	DESCRIPTION	QTY
-	4512007	ROTARY DELIVERY PAN ASSEMBLY	1
1	1472424	DEFLECTOR - PRODUCT - L.H.	1
2	1472411	GEAR - PINION	2
3	1472412	STUD - PINION GEAR	2
4	1482412	FILLER - UPPER REAR-SHORT	1
5	1482414	PAD & PILFERAGE DOOR ASSEMBLY	1
6	1472453	END DISK - PILFERAGE DOOR - R.H.	1
7	1472483	BUSHING - PIVOT	2
8	1472455	WASHER - SUPPORT	2
9	1472452	END DISK - PILFERAGE DOOR - L.H.	1
10	1482422	FILLER - LOWER REAR - SHORT	1
11	1572029	DEFLECTOR - PRODUCT - R.H.	1
12	1472425	DEFLECTOR - PRODUCT - R.H.	1
13	1472472	END PLATE & SUPPORT ASSEMBLY-R.H.	1
14	1472417	FILLER-RIGHT	1
15	1482409	FILLER-LOWER FRONT-SHORT	1
16	1472448	END DISK-DELIVERY DOOR-R.H.	1
17	1482407	CHANNEL-PILFERAGE GUARD-SHORT	1
18	1482408	GUARD-PILFERAGE-SHORT	1
19	1482403	HANDLE-DELIVERY DOOR-SHORT	1
20	1582058	DELIVERY DOOR ASSEMBLY-SHORT	1
21	1472447	END DISK-DELIVERY DOOR-L.H.	1
22	2224042	SPRING PRICE DIFF ARM REAR	1
23	1472460	ARM-SPRING	1
24	1472414	FILLER-LEFT	1
25	1472468	END PLATE & SUPPORT ASSEMBLY-L.H.	1
26	4752003	DEFLECTOR-PRODUCT-L.H.	1

Instant Noodle Merchandiser Parts Manual

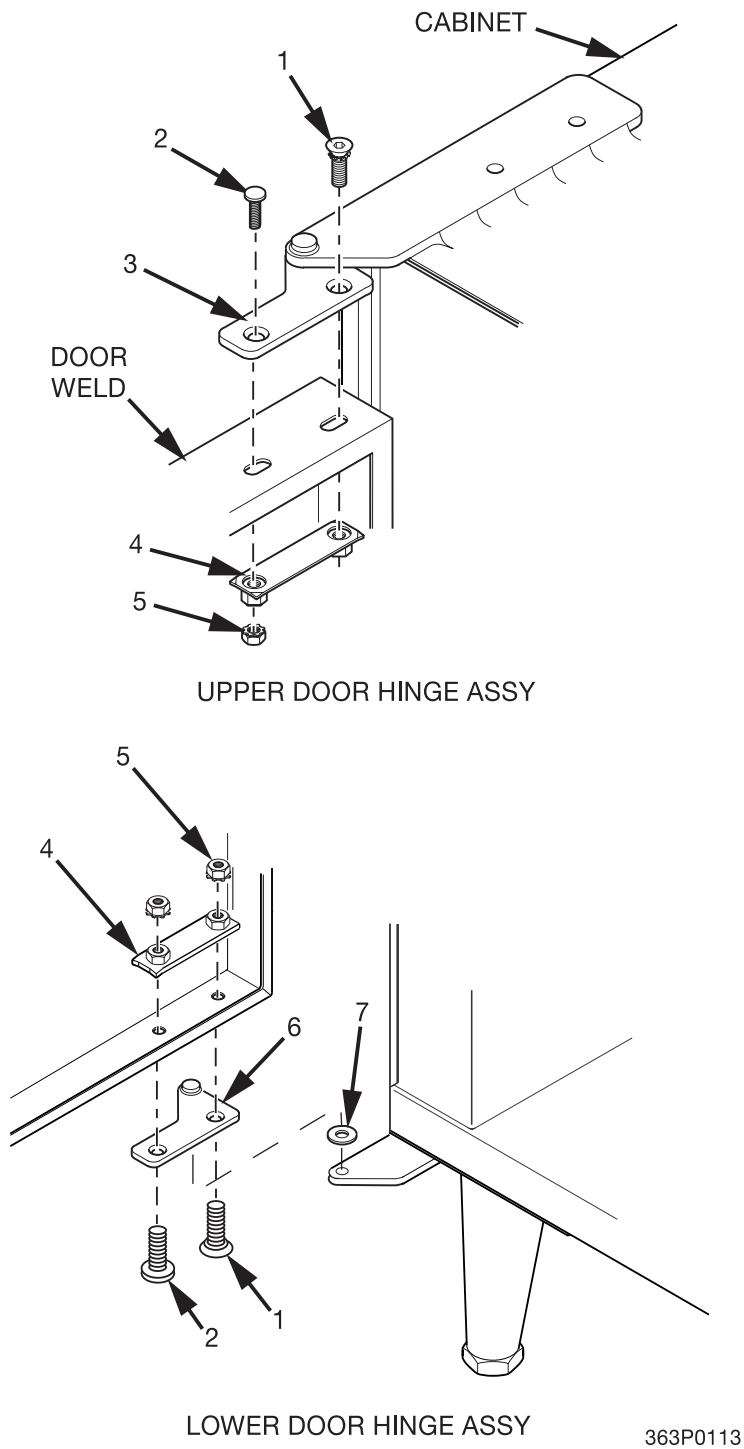


Figure 9. Door Hinge Assemblies

Instant Noodle Merchandiser Parts Manual

TABLE 9. DOOR HINGE ASSEMBLIES

INDEX	PART NUMBER	DESCRIPTION	QTY
1	6232036	SCREW-5/16-18X.75 FLT.HDSOCKET	2
2	6232208	WELD SCREW-#1/4-20 X 1"LG	2
3	1571098	HINGE ASSEMBLY-UPPER	1
4	6232028	PLATE ASSEMBLY-HINGE MTG	2
5	1211105	1/4-20 KEPS NUT EXT LW ZP	8
6	6232031	HINGE ASSEMBLY-DOOR-LOWER	1
7	4242145	BEARING-THRUST-LOWER HINGE	

Instant Noodle Merchandiser Parts Manual

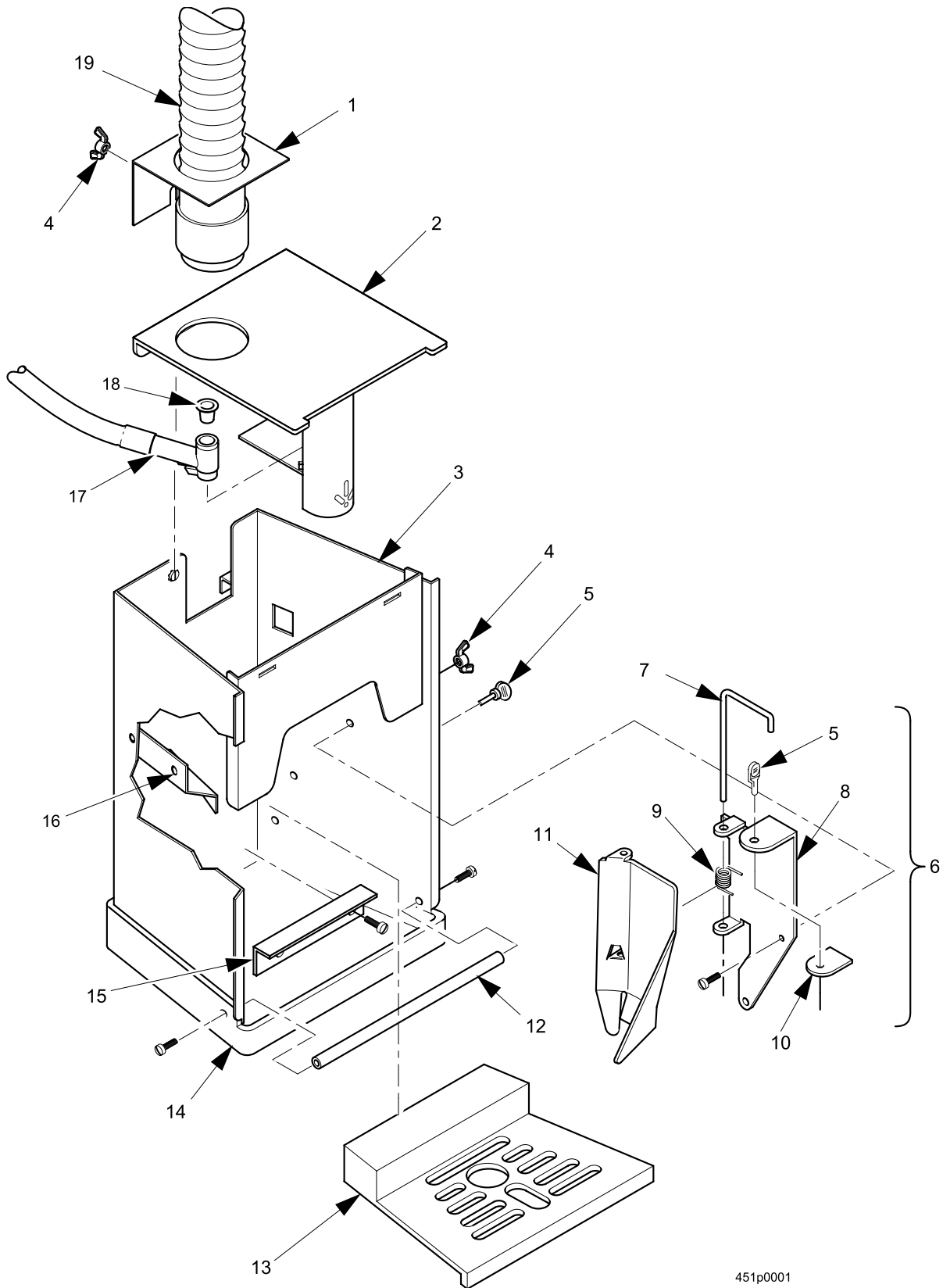


Figure 10. Cup Station Assembly

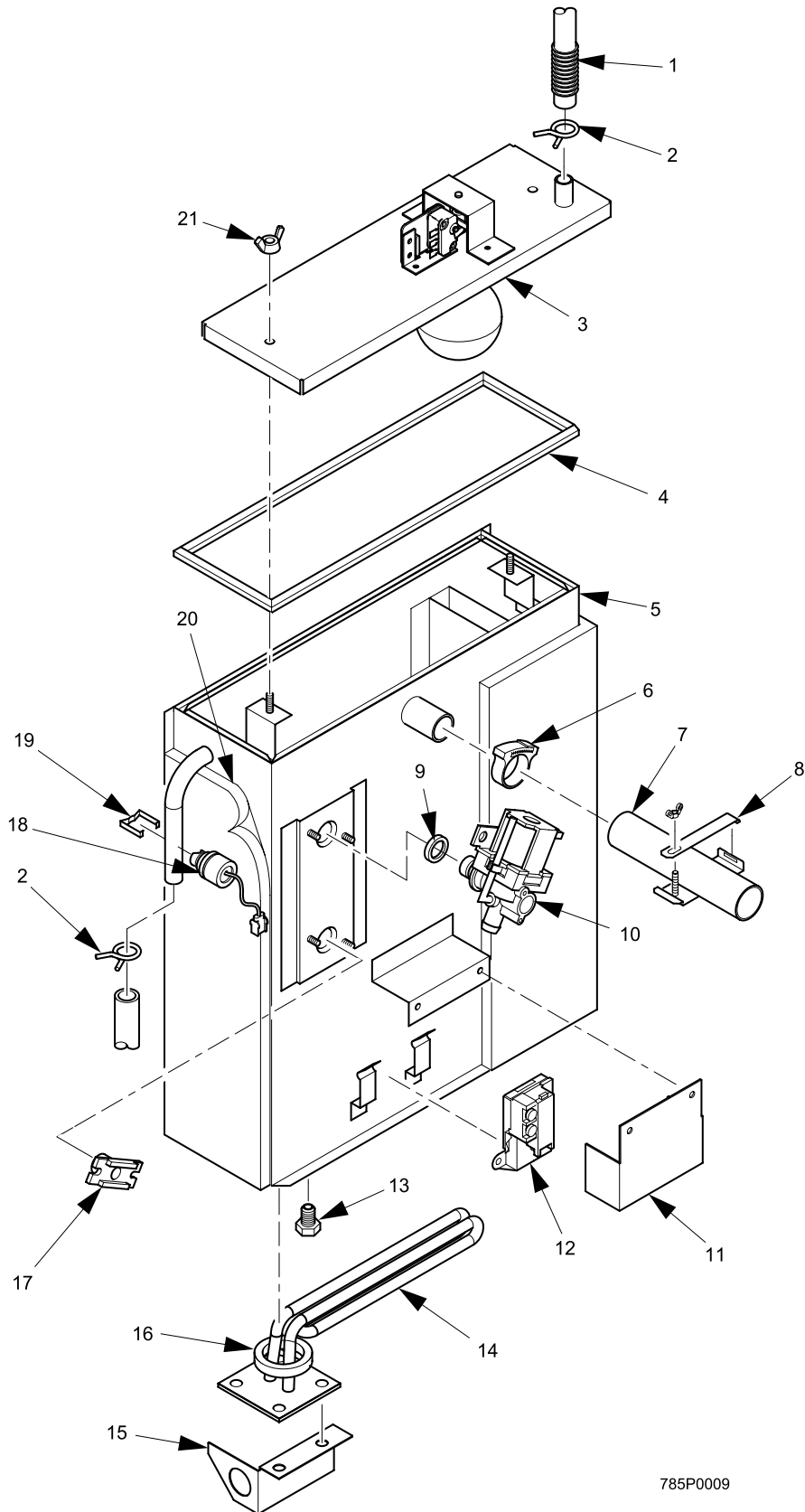
451p0001

Instant Noodle Merchandiser Parts Manual

TABLE 10. CUP STATION ASSEMBLY

INDEX	PART NUMBER	DESCRIPTION	QTY
-	4508075	CUP STATION ASSEMBLY-NOODLE	1
1	9902462	MTG.BRACKET-NOZZLE-FLAT	1
1	4508086	RETAINER-EXHAUST HOSE	1
2	4508081	TOP ASSEMBLY-CUP STATION	1
3	4508076	WELD ASSEMBLY-CUP STATION-NOODLE	1
4	3103133	WING NUT #8-32 STAINLESS	5
5	6104051	SCREW THUMB #10-32 X 1/2	1
6	4508087	PIVOTED ASSEMBLY-CUP DEFLECTOR	1
7	3103104	PIVOT BAR CUP HOLDER	1
8	3103107	BRACKET CUP DEFLECTOR	1
9	3103105	SPRING CUP HOLDER PIVOT BAR	1
10	3103108	LOCKING BAR CUP HOLDER	1
11	4508088	ARM ASSEMBLY-DEFLECTOR	1
12	4731024	SPACER-CUP STATION	1
13	4731031	GRILL-CUP COMPARTMENT	1
14	4731001	BASE-CUP STATION	1
15	4731023	GRILL-SUPPORT-CUP STATION	1
16	4508085	BRACKET-CENTERING-CUP	1
17	4711020	CAPLUG - SPOUT	1
18	6117010	SPOUT - DISPENSING	1
19	4761024	HOSE ASSEMBLY-EXHAUST-43.0 IN LG.	1

Instant Noodle Merchandiser Parts Manual



785P0009

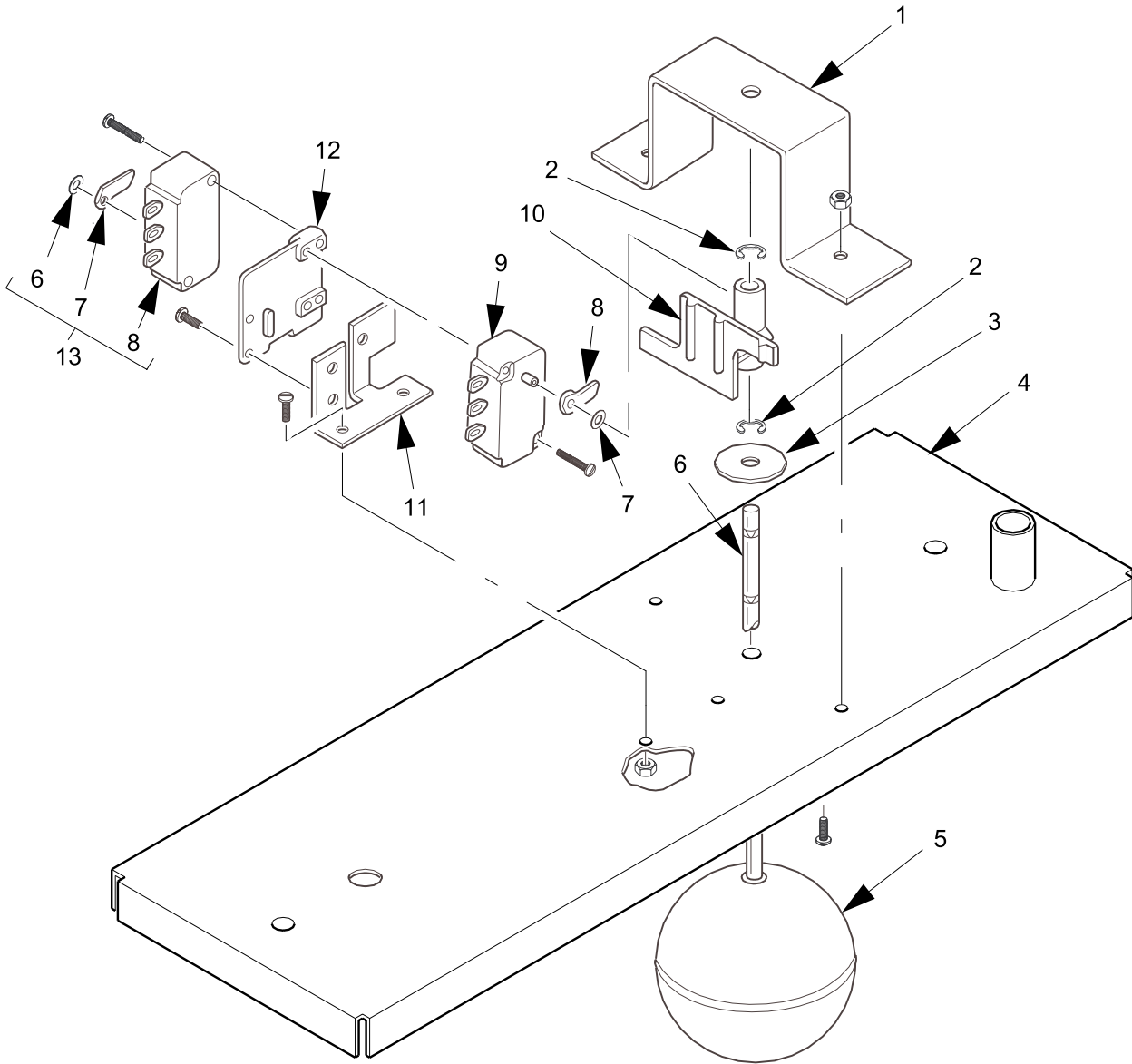
Figure 11. Water Tank Assembly

Instant Noodle Merchandiser Parts Manual

TABLE 11. WATER TANK ASSEMBLY

INDEX	PART NUMBER	DESCRIPTION	QTY
-	4858019	WATER TANK ASSEMBLY - 120 V	1
	4858020	WATER TANK ASSEMBLY - 230 V	
1	3508126	COIL TUBE SUPPORT DRAIN	1
2	3106013	CLAMP - HOSE	2
3	4858023	LID ASSEMBLY - WATER TANK	1
4	4858021	GASKET-H.W.T.	1
5	4858009	WELD ASSEMBLY - WATER TANK	1
6	6408125	CLAMP - TUBE	1
7	6408210	TUBE-6408208-5.0"	1
8	6408154	PINCH CLAMP ASSEMBLY	
9	6238074	"O" RING - .481ID X .10	1
10	6238112	VALVE ASSEMBLY - HOT WATER TANK	2
11	6508044	COVER THERMOSTAT	
12	6508004	THERMOSTAT CONTROL	2
13	4751087	BUSHING PARKER #209P - 4 - 2	1
14	4751242	HEATER - 1200 WATTS - 230 V	1
	4751241	HEATER - 1200 WATTS - 120 V	
15	4751177	COVER - HEATER TERMINAL	4
16	6508006	GASKET HEATER	1
17	6238045	PLUG ASSEMBLY - HOT WATER VALVE	1
18	6338003	THERMOSTAT ASSEMBLY - AUTO RESET	1
19	4858001	CLAMP - THERMOSTAT - 1/2 O.D.	1
20	4731078	INSULATION-WATER TANK	1
21	6158053	WING NUT .250 - 20 ZINC DIE CAST	1

Instant Noodle Merchandiser Parts Manual



485p0047

Figure 12. Water Tank Lid Assembly

Instant Noodle Merchandiser Parts Manual

TABLE 12. WATER TANK LID ASSEMBLY

INDEX	PART NUMBER	DESCRIPTION	QTY
-	4858023	LID ASSEMBLY-HOT WATER TANK	1
1	6138180	BRACKET SHAFT	1
2	6124073	RETAINING RING REINF E TYP.156	2
3	6138181	WASHER PLATE	1
4	4858018	WELD ASSEMBLY LID-HWT	1
5	6508033	FLOAT WATER TANK	1
6	1217162	RETAINER PUSH ON .125	2
7	6208057	SHAFT-FLOAT	1
8	6138027	ACTUATOR SWITCH	2
9	3108146	SWITCH	2
10	6138183	ACTUATOR SWITCH	1
11	6138175	BRACKET SWITCH MOUNTING	1
12	6138004	PLATE MOUNTING SWITCH	1
13	6138123	SWITCH ASSEMBLY WATER FEEDER	2

Instant Noodle Merchandiser Parts Manual

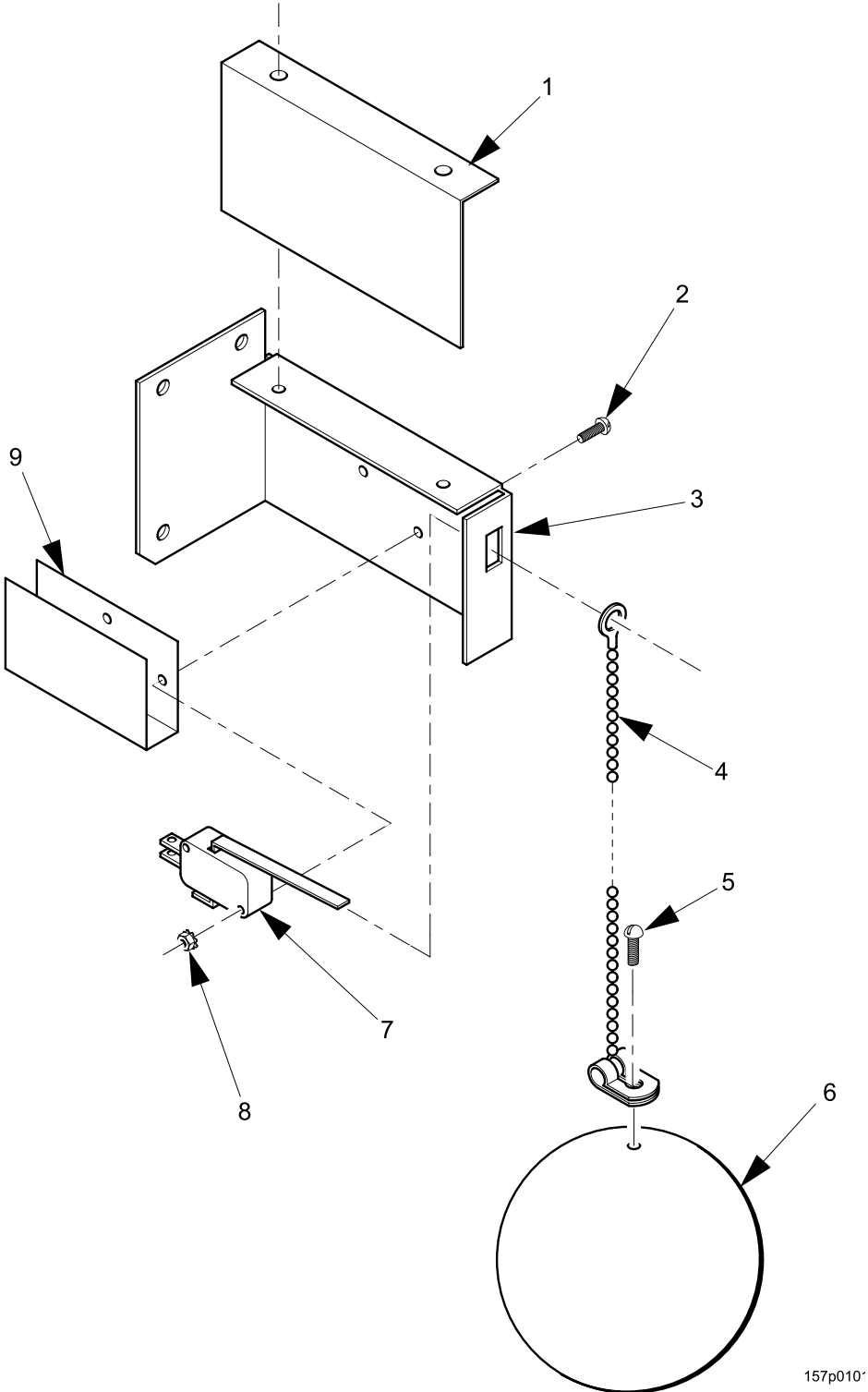


Figure 13. Water Tank Float Assembly

Instant Noodle Merchandiser Parts Manual

TABLE 13. WATER TANK FLOAT ASSEMBLY

INDEX	PART NUMBER	DESCRIPTION	QTY
-	4731158	OVERFLOW ASSEMBLY-SWITCH LEVEL	1
1	3116126	COVER OVERFLOW SWITCH	1
2	1217160	4-40X5/8 RHS M SCREW Z/Y	2
3	3116123	BRACKET ASSEMBLY-OVERFLOW SWITCH	1
4	4731159	CHAIN-OVERFLOW SWITCH	1
5	4047054	SCREW #8 18X1/2 RHS T/C	1
6	3116127	FLOAT OVERFLOW SWITCH	1
7	2304108	SWITCH LEVER V3L-131-D8	1
8	1217159	4-40 KEPS W/EXT L/WAS H ZP	2
9	3121150	INSULATION OVERFLOW SWITCH	1

Instant Noodle Merchandiser Parts Manual

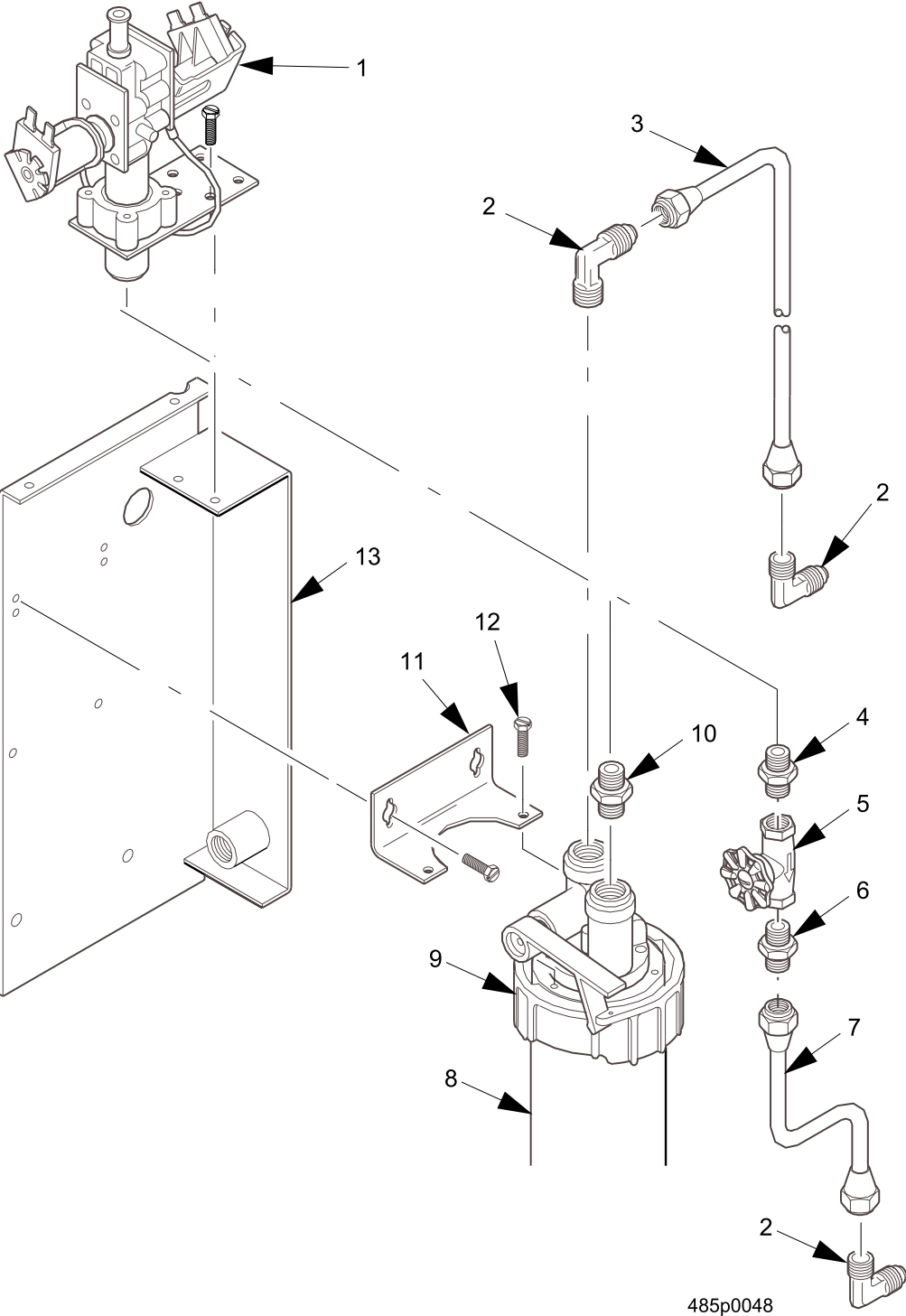


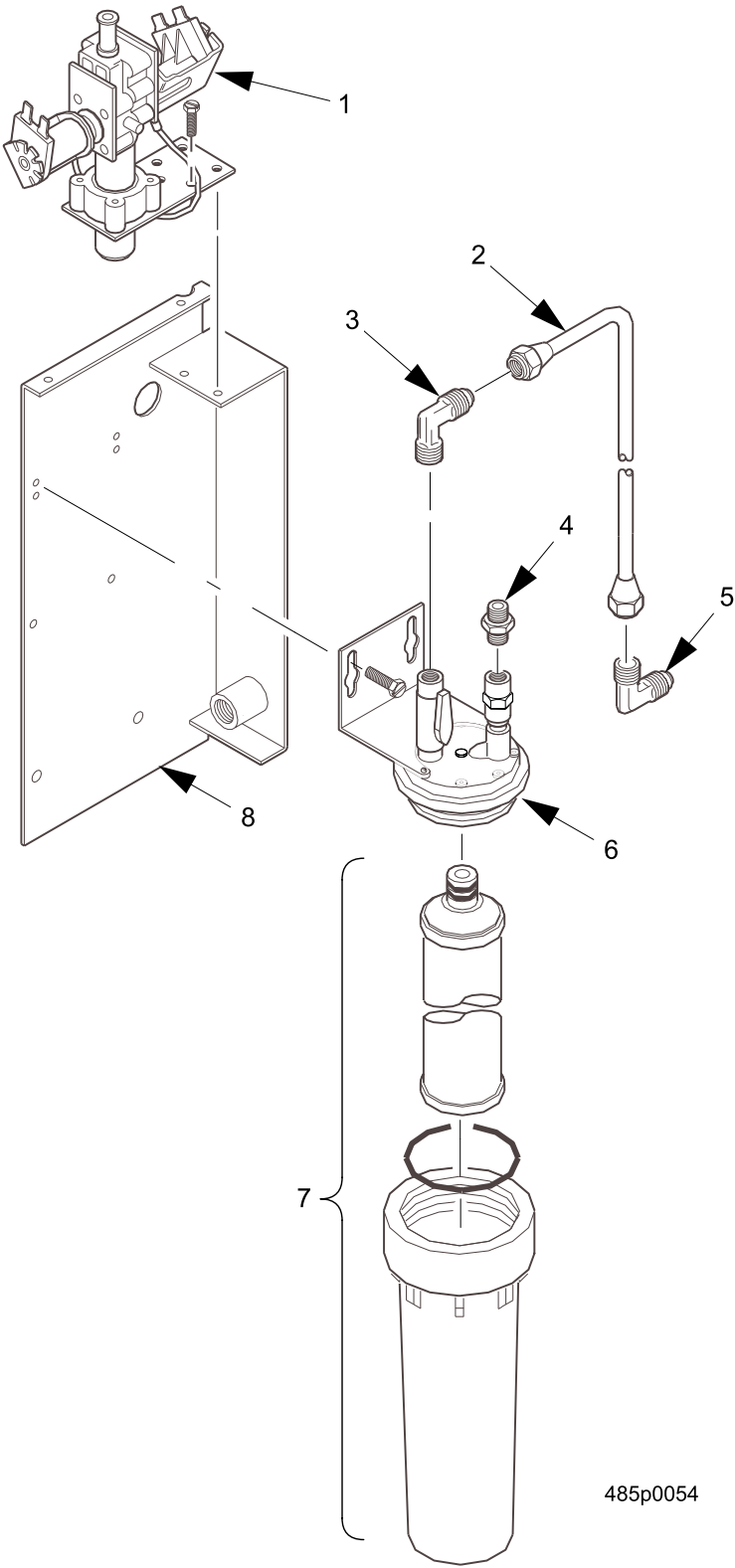
Figure 14. Everpure Filter Head and Bracket Assembly

Instant Noodle Merchandiser Parts Manual

TABLE 14. EVERPURE FILTER HEAD AND BRACKET ASSEMBLY

INDEX	PART NUMBER	DESCRIPTION	QTY
-	4751036	FILTER HEAD AND BRACKET ASSEMBLY-EVERPURE	-
-	4751034	INLET & VALVE ASSEMBLY	1
-	4511017	FILTER HEAD AND INLET ASSEMBLY (EUROPE)	1
-	4858008	FILTER HEAD AND INLET ASSEMBLY - FOR.	1
-	4750802	FILTER HEAD AND BRACKET ASSEMBLY W/EVERPURE FILTER	1
1	3108045	VALVE WI VAL K19146 N/42	1
2	3128150	ELBOW - MALE - COUPLINGS #49CE	1
3	6151037	TUBE ASSEMBLY - CABINET TO STRAINER	1
4	6108082	REDUCING NIPPLE 1/4IPS TO 3/8 IPS	
5	3108048	VALVE WATER - CONBRACO #57-001-01	1
6	3128151	CONNECTOR - MALE - COUPLINGS 48CC,	1
7	4731172	TUBE ASSEMBLY - CABINET TO STRAINER	1
8	6118071	CARTRIDGE - WATER FILTER - 9611-00-4H - EVERPURE	1
9	3158022	HEAD - WATER FILTER - 9267-12 QC4	1
10	3608201	NIPPLE - 3/8 NPTF - HEX #216P-6	1
11	3158023	BRACKET - MOUNTING - WATER FILTER #3046-44	1
12	9900163	SCREW #10-32 X 5/8 RHS T/C	
13	4711007	COUPLING & BRACKET ASSEMBLY	1

Instant Noodle Merchandiser Parts Manual



485p0054

Figure 15. Hydrolife Filter Assembly

Instant Noodle Merchandiser Parts Manual

TABLE 15. HYDROLIFE FILTER ASSEMBLY

INDEX	PART NUMBER	DESCRIPTION	QTY
-	4858007	FILTER HEAD AND INLET ASSEMBLY	1
	4850881	FILTER HEAD AND INLET ASSEMBLY W/HYDROLIFE FILTER	
1	3108045	VALVE K19146 N-42	1
2	6151037	TUBE ASSEMBLY - CAB TO STRAINER	1
3	3128150	ELBOW - MALE COUPLING #49CE	2
4	3608201	NIPPLE - 3/8 NPTF - HEX #216P-6	1
5	6338027	HEAD AND BRACKET ASSEMBLY - HLV192-G6710	1
6	6408028	HOUSING - CARTRIDGE AND "O" RING -	1
7	4711007	COUPLING AND BRACKET ASSEMBLY	1

Instant Noodle Merchandiser Parts Manual

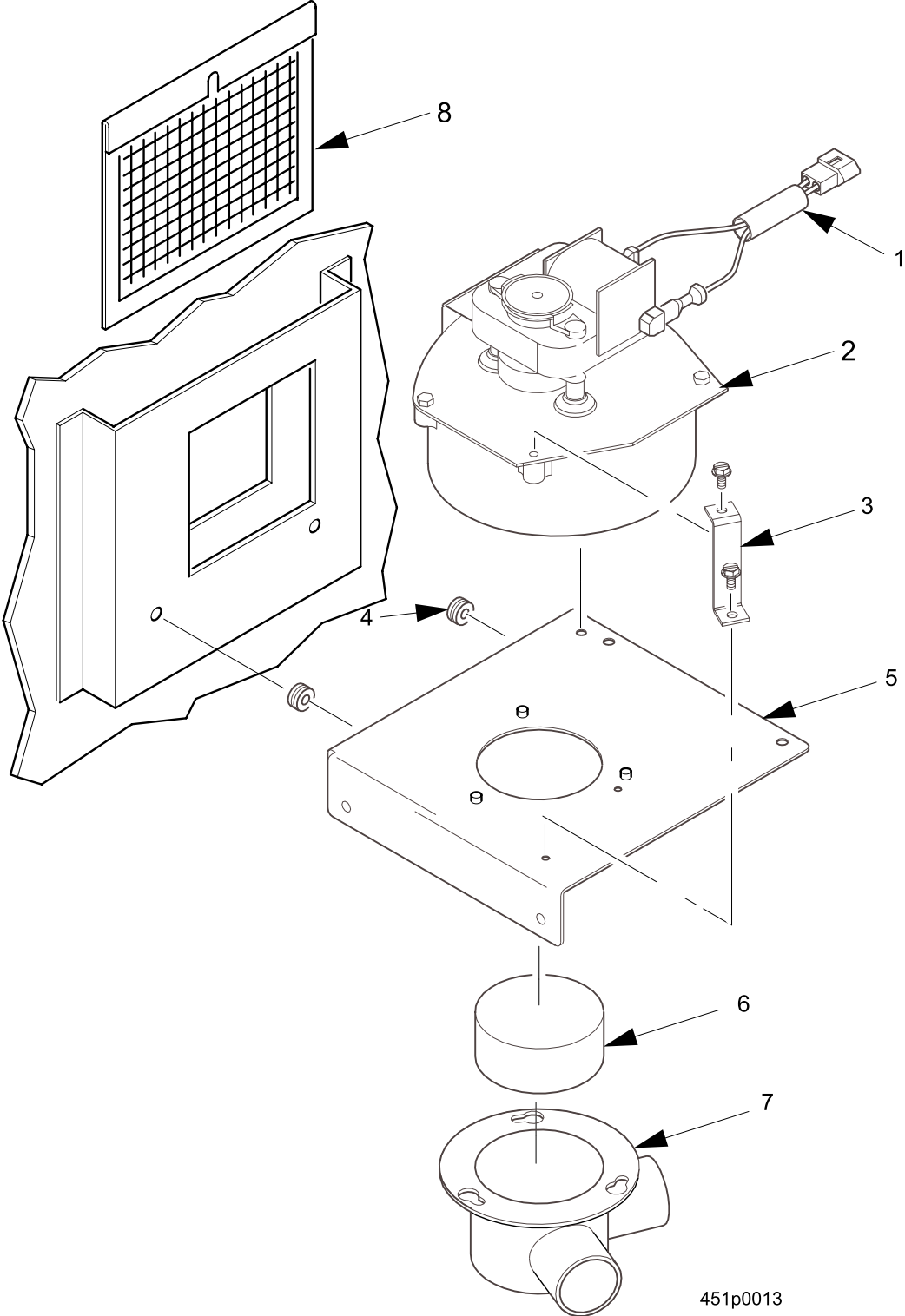


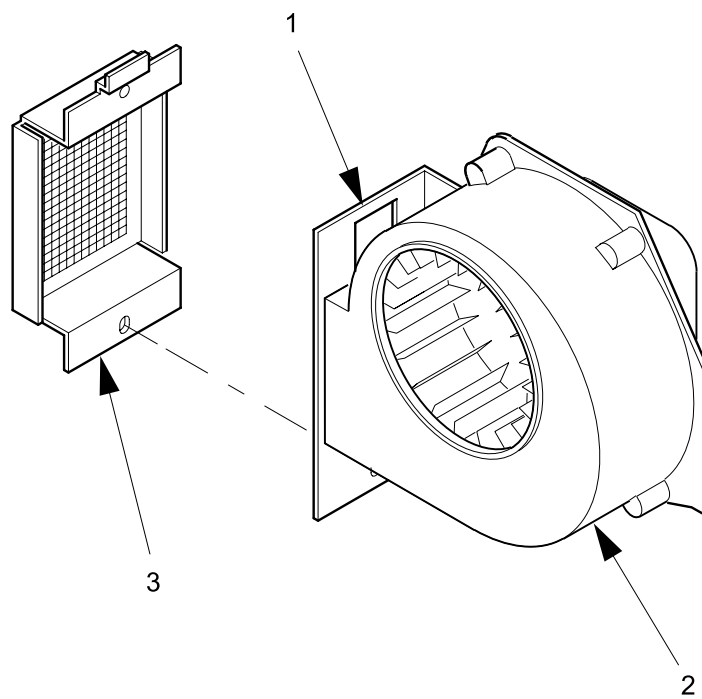
Figure 16. Bracket and Blower Assembly

Instant Noodle Merchandiser Parts Manual

TABLE 16. BRACKET AND BLOWER ASSEMBLY

INDEX	PART NUMBER	DESCRIPTION	QTY
-	4731346	BRACKET & BLOWER ASSEMBLY	1
1	9989637	JUMPER-BLOWER	1
2	6331073	BLOWER ASSEMBLY-120V	1
3	6231553	TIE DOWN-BLOWER ASSEMBLY	2
4	2302223	GROMMET-3/16	2
5	4731347	BRACKET ASSEMBLY-BLOWER MOUNTING	1
6	6237340	FILTER-EXHAUST BLOWER	1
7	6237342	HOUSING-EXHAUST BLOWER	1
8	6131041	SCREEN ASSEMBLY - CABINET BASE	1

Instant Noodle Merchandiser Parts Manual



467p0013

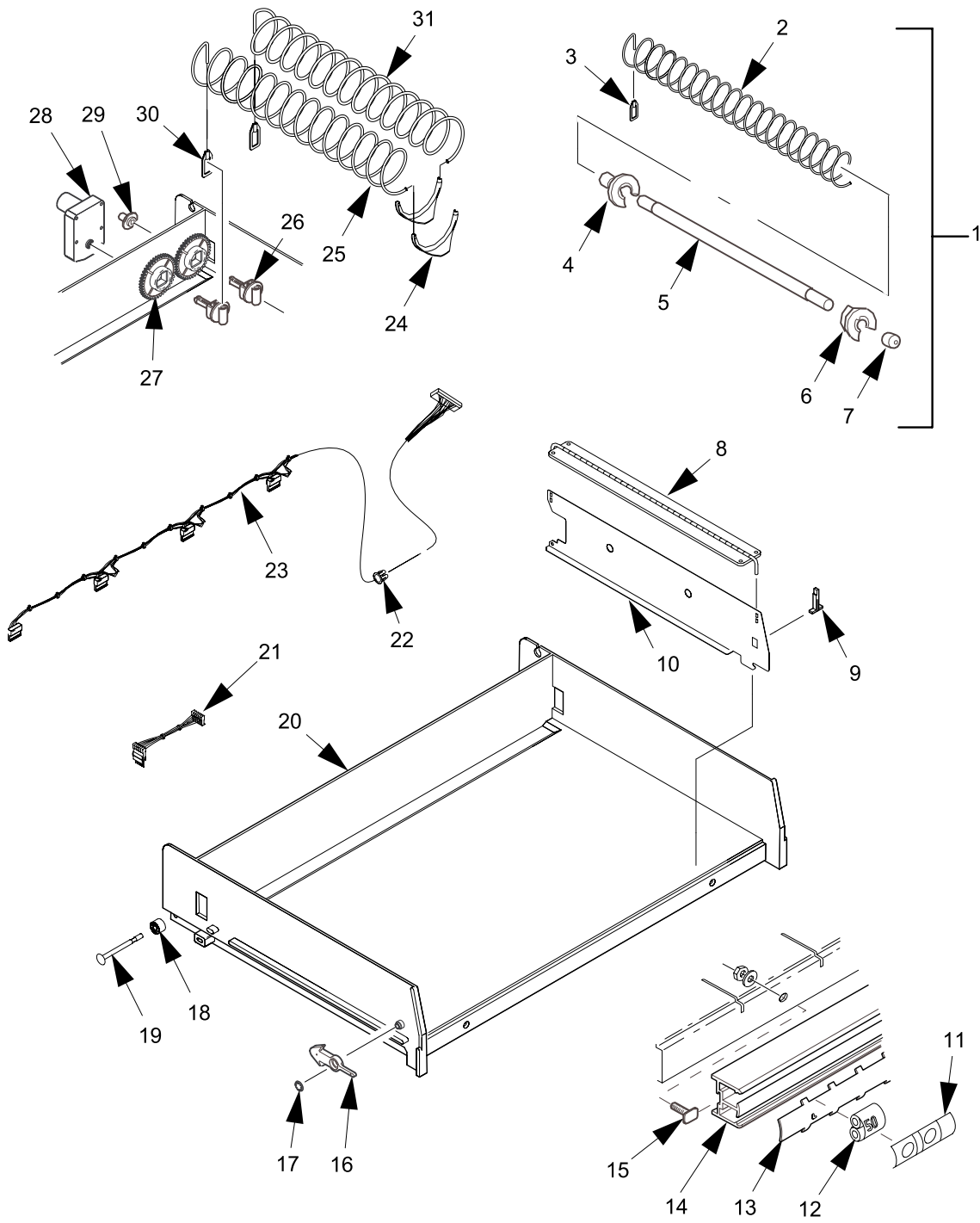
Figure 17. Blower - Exhaust Fan

Instant Noodle Merchandiser Parts Manual

TABLE 17. BLOWER - EXHAUST FAN

INDEX	PART NUMBER	DESCRIPTION	QTY
-	1571099	BRACKET AND BLOWER ASSY-230	1
	1471399	BRACKET AND BLOWER ASSY-115	
1	1471398	BRACKET-EXHAUST FAN	
2	6331073	BLOWER ASSY-120V	1
2	6331074	BLOWER ASSY-230V	1
3	1471090	BRACKET & SCREEN ASSY-EXHAUST	1

Instant Noodle Merchandiser Parts Manual



167p0033

Figure 18. Tray Assemblies

Instant Noodle Merchandiser Parts Manual

TABLE 18. TRAY ASSEMBLIES

INDEX	PART NUMBER	DESCRIPTION	QTY
-	1597002	CANDY TRAY ASSEMBLY	OPT
-	1597001	SNACK TRAY ASSEMBLY	
-	1597003	TRAY ASSEMBLY - 8 CANDY - 2 G&M	
1	1677002	SPIRAL ASSEMBLY - DUAL G&M	
2	1677003	SPIRAL - 2.65 DIA - DUAL G&M	
3	1467137	RETAINER - SPIRAL ORANGE	
4	1467130	DISC - SPIRAL INSERT	
5	1677004	SPIRAL INSERT ASSEMBLY - BLACK	
6	1467129	DISC - SPIRAL INSERT	
7	1677005	CAP - SPIRAL INSERT	
8	1477141	SPACER - ADJUSTABLE	
9	1477083	RETAINER - SPIRAL - WALL (TABLE 19A)	10
10	1477175	WALL - TRAY	4
11	-	LABEL - ITEM LETTERS (FIGURES 32, 33)	-
12	1477014	ROLL - PRICE CENTS	5
13	1477157	HOLDER - PRICE & SELECTION	1
14	1477134	RAIL - PRICE & SELECTION	1
15	2222031	TEE BOLT - TRIM	3
16	1477017	LATCH	2
17	5201267	PUSH ON RETAINER .312	2
18	1477148	ROLLER - TRAY	2
19	1477097	AXLE - TRAY ROLLER	2
20	1577040	TRAY - 5/10 DIVISION	1
21	1477156	JUMPER ASSEMBLY - MOTOR REVERSE	
22	3502907	BUSHING	1
23	1679000	HARNESS - 5 MOTOR TRAY	1
	1679001	HARNESS - 10 MOTOR TRAY	
24	1477074	PUSHER - PRODUCT	10
25	-	SPIRAL (TABLE 19A)	-
26	1477113	COUPLING - SPIRAL	10
27	1477020	GEAR - TRAY	10
28	1577038	MOTOR & PCB ASSEMBLY	5
	1477114	MOTOR & PCB ASSEMBLY	
29	1477022	BEARING - COUPLER	5
30	-	SPIRAL RETAINER (TABLE 19A)	-
31	-	SPIRAL (TABLE 19A)	-

Instant Noodle Merchandiser Parts Manual

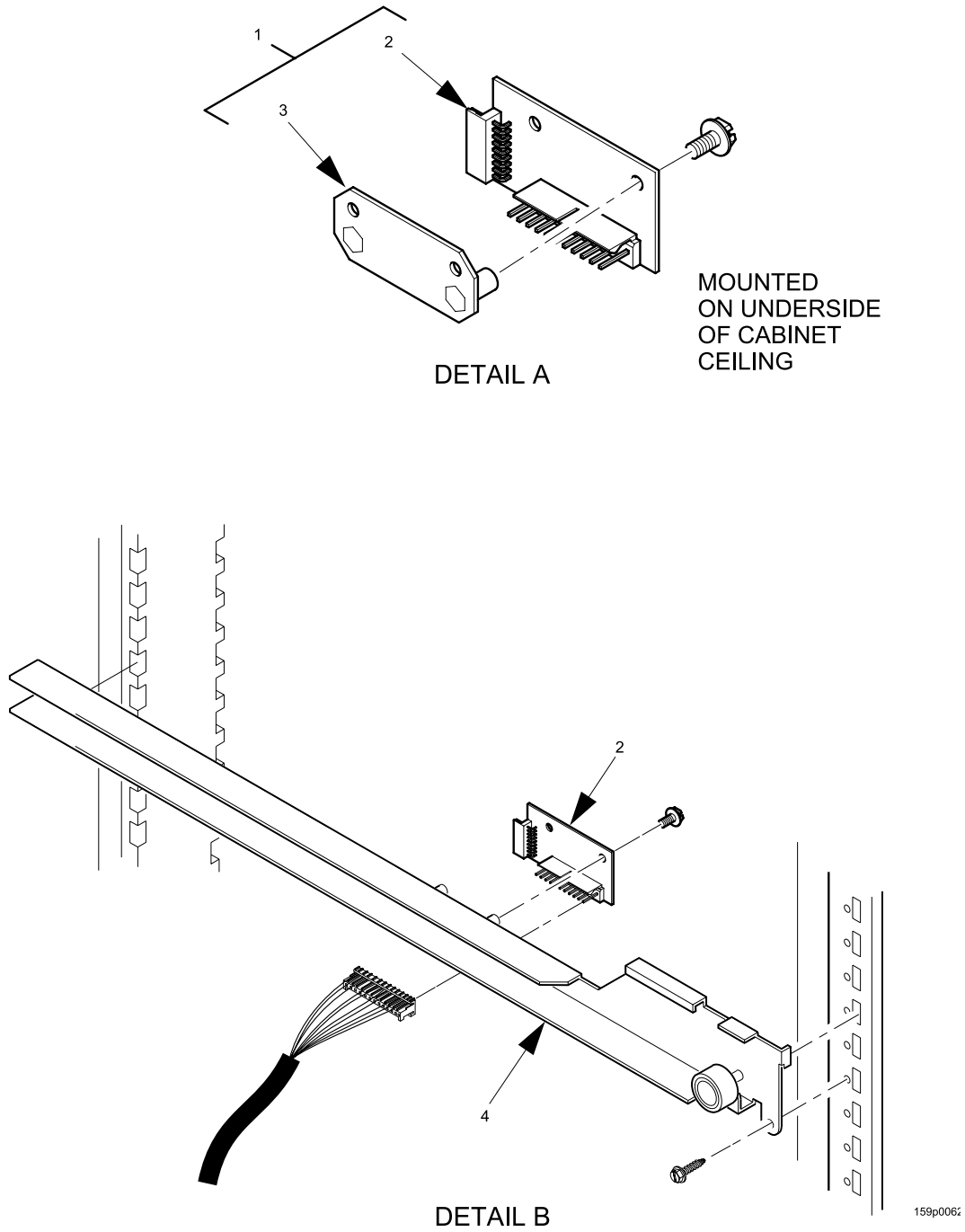


Figure 19. Tray Rail and PCB Assembly Details

Instant Noodle Merchandiser Parts Manual

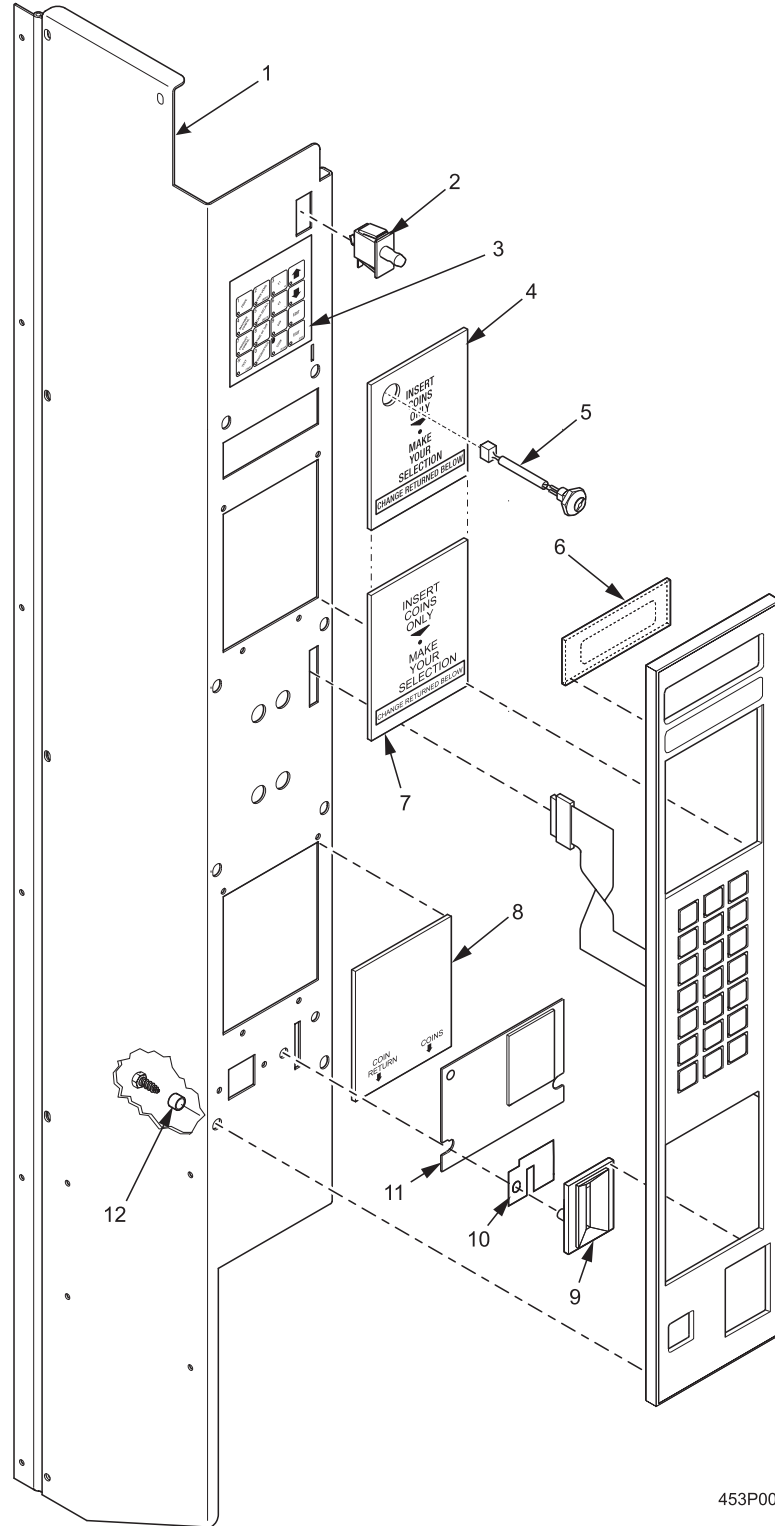
TABLE 19. TRAY RAIL AND PCB ASSEMBLY DETAILS

INDEX	PART NUMBER	DESCRIPTION	QTY
1	1571183	PCB & PLATE ASSEMBLY	1
2	1596012	PCB ASSEMBLY	1
3	1571175	PLATE - PCB RAIL - MOUNTING	1
4	1571181	TRAY GUIDE RAIL ASSEMBLY LEFT HAND	
4	1571180	TRAY GUIDE RAIL ASSEMBLY RIGHT HAND	
4	1571179	TRAY GUIDE RAIL - WIRTHG STANDOFFS	1

TABLE 19A. SPIRAL OPTIONS

			PART NUMBERS			
			LEFT HAND		RIGHT HAND	
SPIRAL COUNT	RETAINER COLOR	RETAINER	ASSEMBLY	SPIRAL	ASSEMBLY	SPIRAL
9	GRAY	1477155	1477152	1477153	1477149	1477150
11	BLUE	1457061	1477023	1477024	1477026	1477027
13	YELLOW	1457062	1477029	1477030	1477032	1477033
15	RED	1457063	1477035	1477036	1477038	1477039
17	BROWN	1477106	1477101	1477100	1477099	1477098
20	WHITE	1457064	1477041	1477042	1477044	1477045

Instant Noodle Merchandiser Parts Manual



453P0004

Figure 20. Monetary Panel Assembly - Part 1

Instant Noodle Merchandiser Parts Manual

TABLE 20. MONETARY PANEL ASSEMBLY - PART 1

INDEX	PART NUMBER	DESCRIPTION	QTY
1	1575094	PANEL WELD ASSEMBLY-MONET.-NV BLK	1
2	1401110	SWITCH	1
3	6335002	SERVICE KEYPAD (OPTION)	1
4	-	INSERT - INSTR	1
	1575013	UPPER INSERT - UK	
	1572015	UPPER INSERT - FRANCE	
	1571066	INSERT - INSTR - COINS ONLY (JAPAN)	
5	9989639	SWITCH ASSEMBLY - FREE VEND	1
6	1595014	LENS-DISPLAY - GPL	1
6	1572013	LENS-DISPLAY	1
7	-	LOWER MONETARY POSITION	-
8	1575049	INSERT - INSTR - LOWER - UK - COINS	1
	1575037	INSERT - INSTR - LOWER - FRENCH	
9	1472223	COIN INSERT (WITH COIN OPTION)	1
-	1672001	COIN INSERT - AUSTRALIA (NOT SHOWN)	1
10	1472222	COIN BLOCK (WITH COIN OPTION)	1
11	-	NO COIN OPTION	1
12	2302053	CUP SPACER	2

Instant Noodle Merchandiser Parts Manual

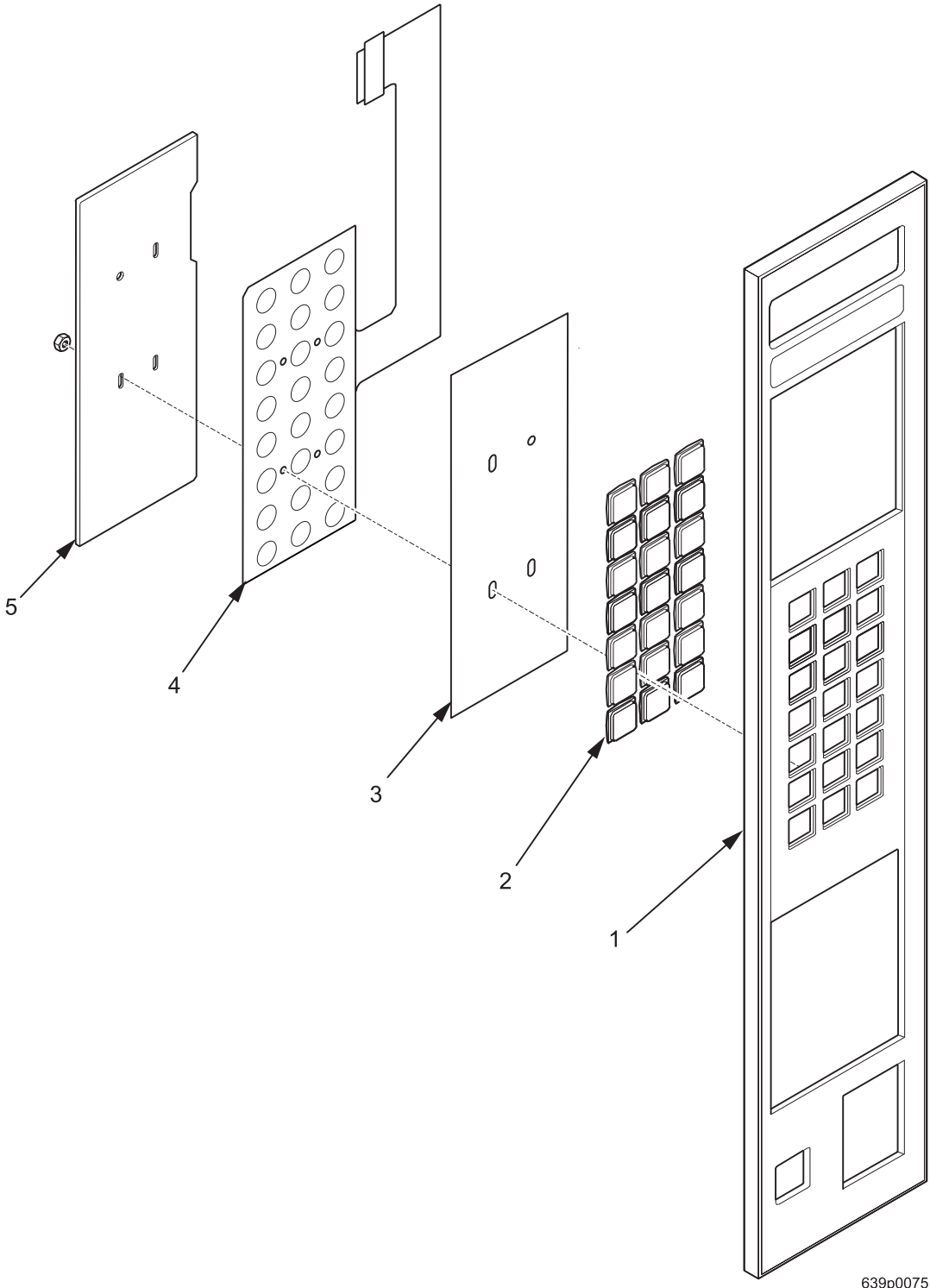


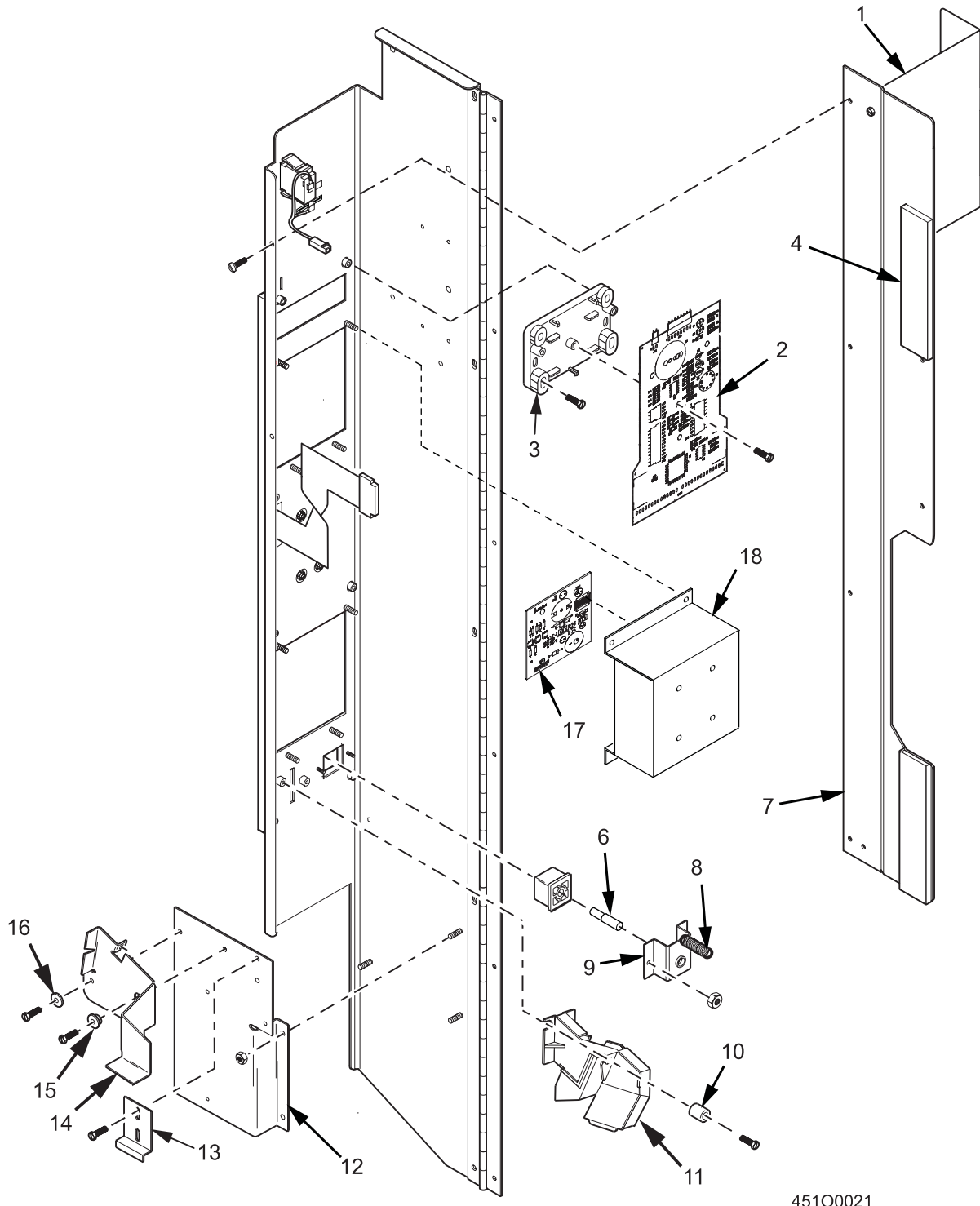
Figure 21. Selection Panel Assembly

Instant Noodle Merchandiser Parts Manual

TABLE 21. SELECTION PANEL ASSEMBLY

INDEX	PART NUMBER	DESCRIPTION	QTY
1	1575001	SELECTION PANEL - MONETARY	1
2	1472251	LENS - PUSH BUTTON	21
3	1575010	LETTER SHEET - SELECT SWITCH	1
4	9984630	MEMBRANE SWITCH ASSEMBLY - SELECT	1
5	1571009	PLATE - SELECT SWITCH - BACKUP	1
6	1475089	NUT - SELF THREADING	4

Instant Noodle Merchandiser Parts Manual



45100021

Figure 22. Monetary Panel Assembly - Part 2

Instant Noodle Merchandiser Parts Manual

TABLE 22. MONETARY PANEL ASSEMBLY - PART 2

INDEX	PART NUMBER	DESCRIPTION	QTY
1	7211214	COVER - DISPLAY	1
2	9989685	PCB ASSEMBLY - DISPLAY	1
2	9989687	PCB ASSEMBLY - EXECUTIVE INTERFACE	1
3	7211174	BRACKET - PCB - DISPLAY	1
4	3122056	MAGNET RETAINER COIN CHANGER	2
5	1475026	BUTTON - COIN RETURN	1
6	1475072	SHAFT - RETURN BUTTON	1
7	1575057	PLATE-MAGNET MOUNTING	1
8	1127808	SPRING SHELF RESET	1
9	1571079	BRACKET - COIN RETURN BUTTON	1
10	2302053	SPACER CUP	1
11	1575083	COIN CHUTE ASSEMBLY(MOD)	1
11	1575003	COIN CHUTE ASSEMBLY	1
12	1571078	BRACKET-COIN MECHANISM	1
13	6231037	CLAMP - CABLE	1
14	1571113	ARM - SCAVENGER	1
15	2228011	SPACER RELEASE ARM	2
16	2204093	WASHER SCAVENGER BAR	2
17	9989733	PCB ASSY - CZX PWR/INTERFACE	1
18	1575070	BRACKET CIRCUIT BOARD MOUNTING	1

Instant Noodle Merchandiser Parts Manual

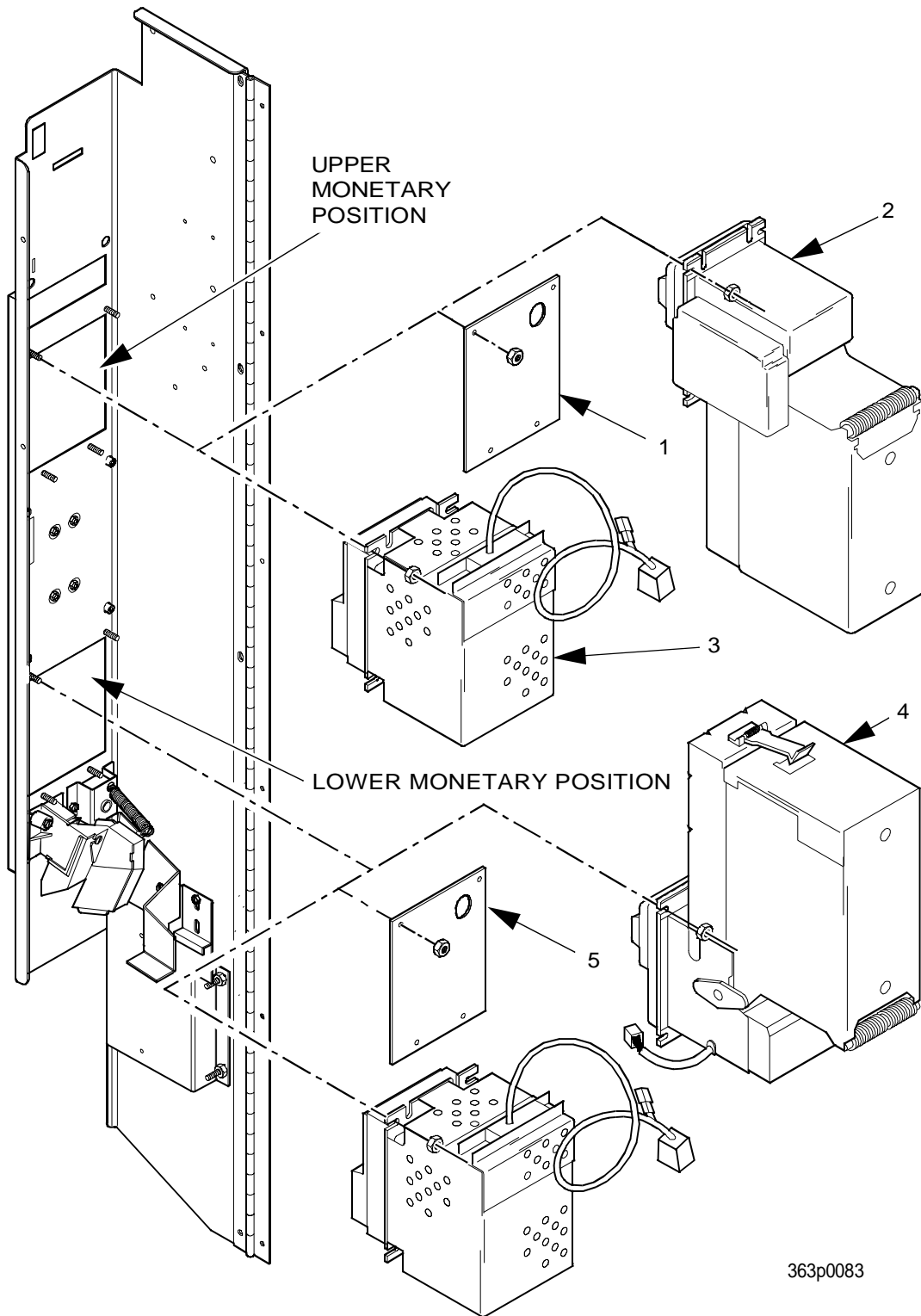


Figure 23. Coin Mechanism, Bill Validator, and Card Reader Installation

Instant Noodle Merchandiser Parts Manual

TABLE 23. COIN MECHANISM, BILL VALIDATOR, AND CARD READER INSTALLATION

INDEX	PART NUMBER	DESCRIPTION	QTY
1	1575048	INSTRUCTION INSERT BACKING PLATE	OPT
	1575103	BRACKET - UPPER - CONLUX VAL (NOT SHOWN)	
2	-	DOWNSTACK BILL VALIDATOR (TABLE 23B)	OPT
3	-	DEBIT CARD READER (TABLE 23C)	OPT
4	-	UPSTACK BILL VALIDATOR (TABLE 23B)	OPT
5	1575059	INSERT - LOWER CONLUX VAL - NO COPY	OPT

TABLE 23A. MONETARY LOCATION OPTIONS

MONETARY PANEL LOCATION			
MONETARY CAPABILITY	UPPER	LOWER	WITH COIN?
COIN - VAL - CARD	CARD READER	UPSTACK VALIDATOR	YES
COIN - VAL - CARD	DOWNSTACK VALIDATOR	CARD READER	YES
COIN - VAL	INSERT INSTRUCTIONS BACK-UP PLATE (1575048)	UPSTACK VALIDATOR	YES
COIN - VAL	DOWNSTACK VALIDATOR	INSERT INSTRUCTIONS BACKUP PLATE (1575048)	YES
COIN - CARD	INSERT INSTRUCTIONS BACK-UP PLATE (1575048)	CARD READER	YES
COIN - CARD	CARD READER	INSERT INSTRUCTIONS BACK-UP PLATE (1575048)	YES
VAL - CARD	CARD READER	UPSTACK VALIDATOR	NO
VAL - CARD	DOWNSTACK VALIDATOR	CARD READER	NO
COIN ONLY	INSERT INSTRUCTIONS BACK-UP PLATE (1575048)	INSERT INSTRUCTIONS BACK-UP PLATE (1575048)	YES
VAL ONLY	INSERT INSTRUCTIONS BACK-UP PLATE (1575048)	UPSTACK VALIDATOR	NO
VAL ONLY	DOWNSTACK VALIDATOR	INSERT INSTRUCTIONS BACK-UP PLATE (1575048)	NO
CARD ONLY	CARD READER	INSERT INSTRUCTIONS BACK-UP PLATE (1575048)	NO
CARD ONLY	INSERT INSTRUCTIONS BACK-UP PLATE (1575048)	CARD READER	NO

NOTES:
ALL ITEMS ARE SECURED WITH FOUR NUTS (P/N 9900081).
SHADED ITEMS REPRESENT ALTERNATE CONFIGURATIONS

Instant Noodle Merchandiser Parts Manual

TABLE 23B. BILL VALIDATOR OPTIONS

PART NUMBER	DESCRIPTION	USE WITH HARNESS PART NUMBER
5900198	VALIDATOR - MARS - S2000 - VN2311 - U5E	1579005
5900182	VALIDATOR - COINCO - BA305A	1579028
5900193	VALIDATOR - MARS - S2000 - VN2511 - U5E - CN5	1579028
5900233	VALIDATOR - CONLUX MKA 2152-12B 120V	1579028
5900205	VALIDATOR - MARS - VN2512-U5E - 24V	1579032 (HARNESS) 9989718 (JUMPER)
5900221	VALIDATOR - COINCO - BA32SA - 24V	
5900234	VALIDATOR - CONLUX - 2162 - 24V - 300	
1475053	VALIDATOR - MAKA - NB - 1KB - 400 WITH MASK "K" INSTALLED	1579006
3152444	VALIDATOR - MARS - VFM1 - S1 - U4C -CNSMT	1579005
3152391	VALIDATOR - MARS VFM3 - S1 - U4C -CNSMT	1579028
5900248	VALIDATOR - MARS - AE 2611 - U5E - SERIAL	1579028
MDB VALIDATOR OPTIONS		
5900182	VALIDATOR - COINCO - BA 30SA	1579034
5900210	VALIDATOR - MARS - VN2512 - USM/500 -MDB	-
5900234	VALIDATOR - COINLUX - 2162 - 24V - 300	1579050
5900247	VALIDATOR - MARS - AE 2612 - U5M - MDB	-

TABLE 23C. CARD READER OPTIONS

PART NUMBER	DESCRIPTION
1475107	DEBITEK # VIS-MM-NAT SYSTEM III
1575050	BRACKET - DEBITEK CONTROLLER (NO COIN OPTION)
1575052	BRACKET - DEBITEK CONTROLLER (WITH COIN OPTION)

Instant Noodle Merchandiser Parts Manual

TABLE 23D. COIN MECHANISM OPTIONS

PART NUMBER	DESCRIPTION
5900116	MARS TRC6000 COIN UNIT
5307321	COINTRON 3000 - US COIN VAL
5900096	COINCO 9340L COIN UNIT
5900112	MARS MC5000 COIN UNIT
6400002	COIN CHANGER - MARS #TRC 6010XV
6000003	COIN CHANGER - COINCO # 9302LF-24
5900094	COINCO 9300L COIN UNIT
5900192	COIN UNIT - COINLUX USLX00401F
5900213	COIN UNIT - COINCO - 9302 - GX - MDB
5900209	COIN UNIT - CONLUX - USLZ - 001 - MDB
5900214	COIN UNIT - MARS - VN 4510 - MDB
5900216	COIN UNIT - MARS - VN 4000, 110V
5900217	COIN UNIT - MARS - VN 4010 XV - 24V
5900192	COIN UNIT - CONLUX - USLX 00401F
5900237	COIN UNIT - CONLUX - USLX - 001 120V
5900222	COIN UNIT - MARS TRC6000 - ASV
5900243	COIN UNIT - MARS - TRC 6512 MDB

Instant Noodle Merchandiser Parts Manual

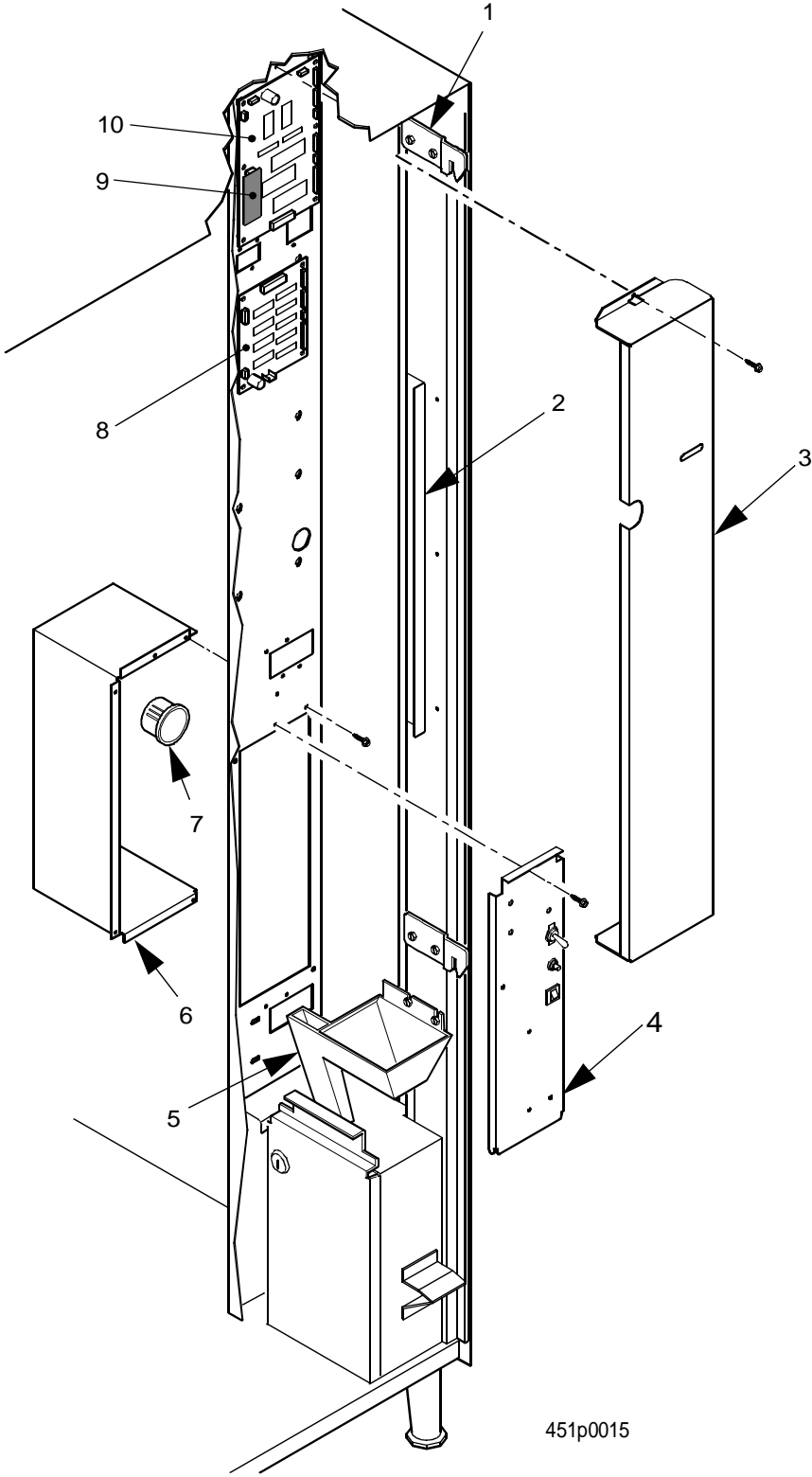


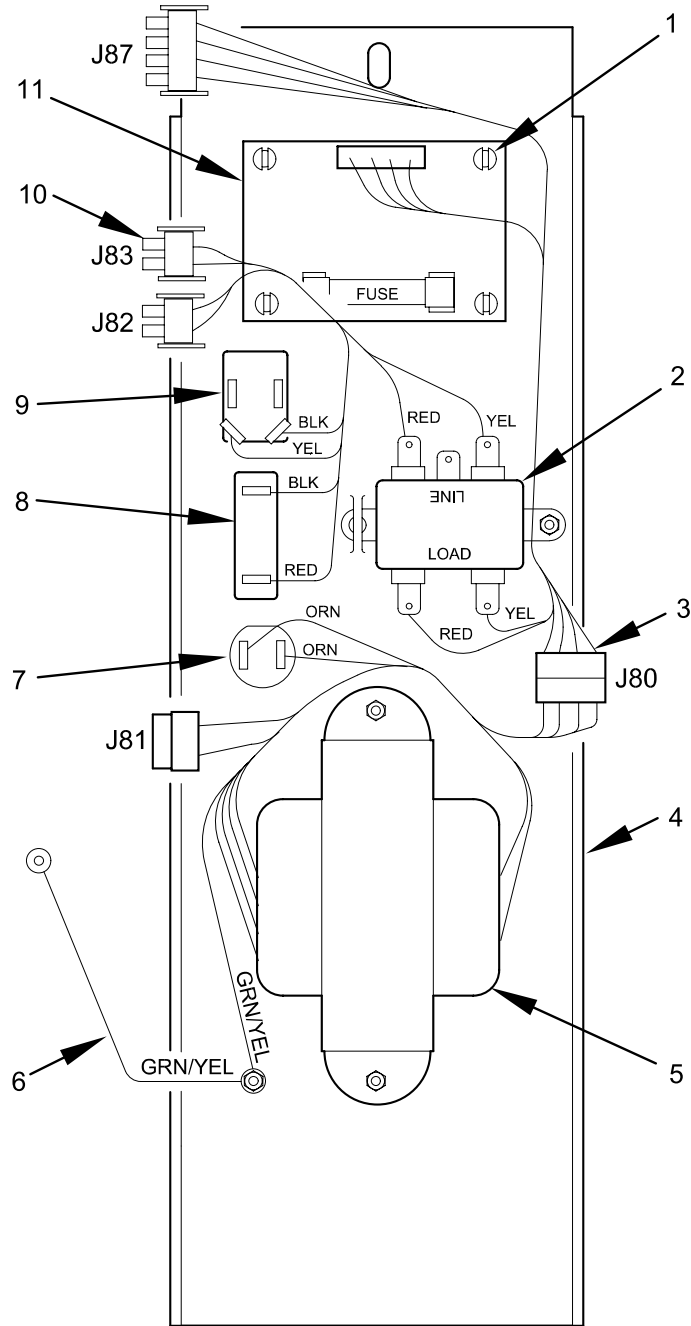
Figure 24. Monetary Panel Assembly - Part 3

Instant Noodle Merchandiser Parts Manual

TABLE 24. MONETARY PANEL ASSEMBLY - PART 3

INDEX	PART NUMBER	DESCRIPTION	QTY
1	1571074	LOCK ARM-CABINET	2
2	1571022	MONETARY PANEL STOP	1
3	1571112	COVER-CONT./INTERF.PCB	1
4	1671011	POWER ASSEMBLY-120V DUMB COIN-15A	1
	4521020	POWER PANEL ASSY - UK - 230 V	
5	6231242	CHUTE-PAYOUT	1
6	1571032	HOUSING-POWER PANEL	1
7	6106021	BUSHING #SB1500-21	1
8	1576008	PCB ASSEMBLY-SNACK INTERFACE	1
9	9989687	PCB ASSEMBLY-EXECUTIVE INTERFACE	1
10	1586017	MAIN CONTROL PCB W/EPROM	1

Instant Noodle Merchandiser Parts Manual



327p0047

Figure 25. Power Panel Assembly - Domestic

Instant Noodle Merchandiser Parts Manual

TABLE 25. POWER PANEL ASSEMBLY - DOMESTIC

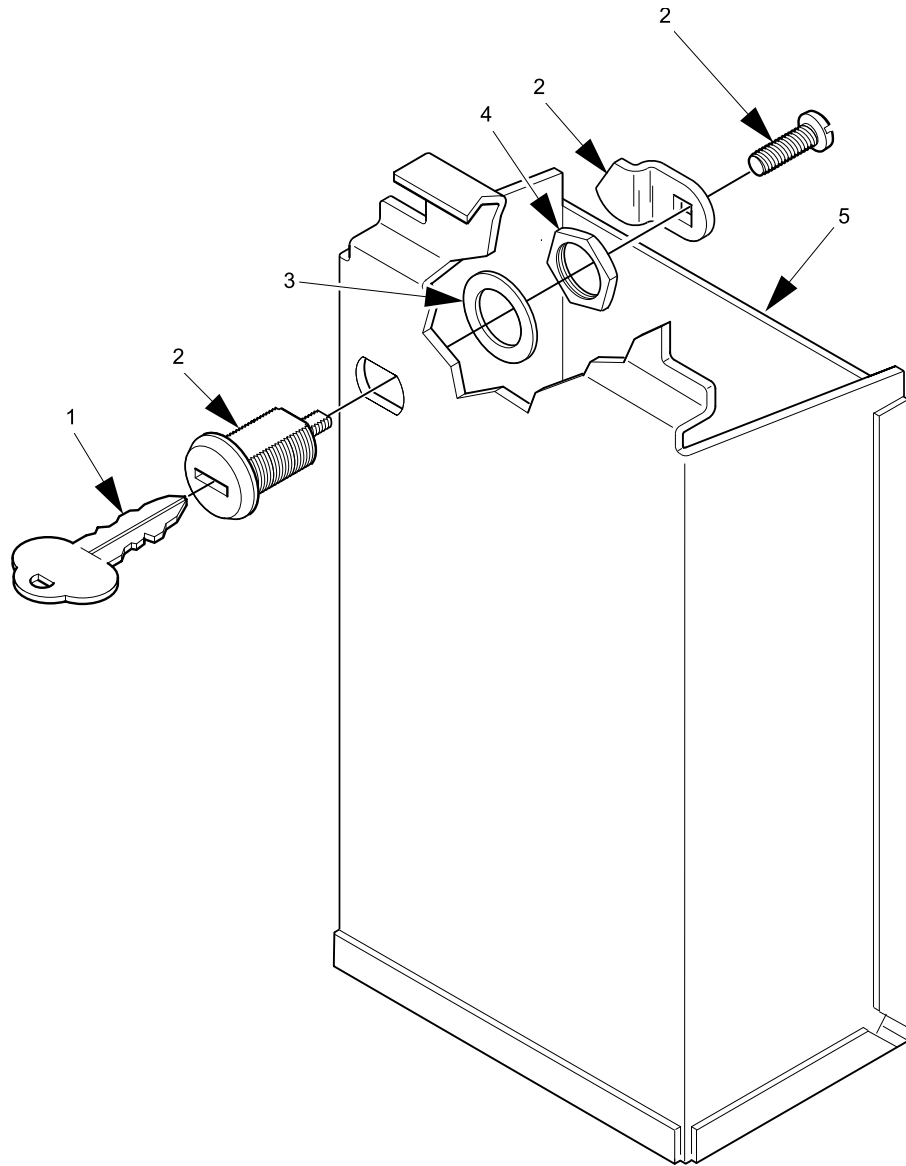
INDEX	PART NUMBER	DESCRIPTION	QTY
-	1671011	POWER PANEL ASSEMBLY-DOM.	1
1	1571035	STANDOFF-PCB-3/8 SNAP LOCK	4
2	9989100	INTERFERENCE FILTER	1
3	1579017	HARNESS-COIN HANDLING-POWER	1
4	1571040	PLATE & STUD ASSEMBLY-POWER-DOM.	1
5	9989042	XFMR-115V/230V PRI 24V SEC	1
6	9984165	JUMPER-GROUND WIRE	1
7	9989673	CIRCUIT BREAKER-20A	1
8	9989336	CIRCUIT BREAKER-3 AMP	1
9	9984629	SWITCH-TOGGLE-DPST-20AMP	1
10	1579013	HARNESS-POWER PANEL-DOMESTIC	1
11	9989659	PCB ASSEMBLY-DUMB MECH POWR SUPPLY	1

Instant Noodle Merchandiser Parts Manual

TABLE 26. POWER PANEL ASSEMBLY - 100 VOLT - 50/60 HZ

INDEX	PART NUMBER	DESCRIPTION	QTY
	1571203	POWER PANEL ASSEMBLY - 100 VOLT - 50/60 HZ	-
1	9989110	FILTER - POWER LINE - EMI	1
2	9989100	INTERFACE FILTER	1
3	9989046	24 V TRANSFORMER - DUAL POWER - .187 TERM.	1
4	9984165	JUMPER - GROUND WIRE	1
5	9989674	CIRCUIT BREAKER - 4 AMP	1
6	1709001	JUMPER - TRANSFORMER - INTERNATIONAL	1
7	9989672	BREAKER - 15A	1
8	1709000	HARNESS - POWER PANEL - INTERNATIONAL	1
9	9989529	LEAKAGE CURRENT BREAKER	1
10	1709006	JUMPER - MAIN SWITCH TO BREAKER	1
11	1571204	PLATE - HOUSING - PANEL - JAPANESE	1
12	1579051	JUMPER - GFI & FILTER	1

Instant Noodle Merchandiser Parts Manual



721p0014

Figure 27. Money Box Assembly

Instant Noodle Merchandiser Parts Manual

TABLE 27. MONEY BOX ASSEMBLY

INDEX	PART NUMBER	DESCRIPTION	QTY
1	2221920	KEY CHICAGO LOCK #1801 NV407	1
2	1101906	"MONEY BOX LOCK - #1801, KA NV407"	1
3	2222604	WASHER - LOCK BARREL - #2693	1
4	2222603	NUT LOCK RETAINING	1
5	7211211	OUTDOOR CABINET MONEY BOX ASSEMBLY	1

Instant Noodle Merchandiser Parts Manual

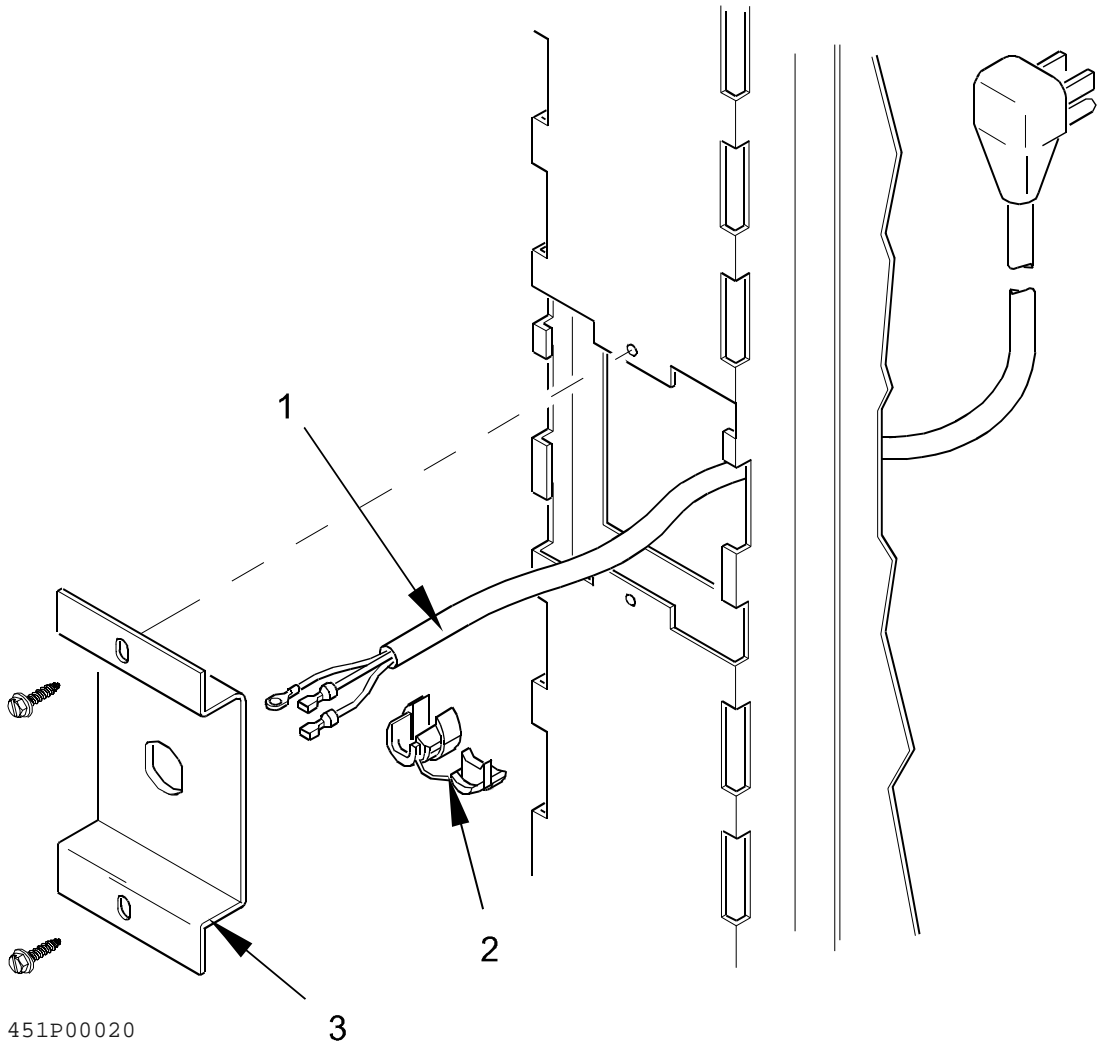


Figure 28. Power Cord Assembly

Instant Noodle Merchandiser Parts Manual

TABLE 28. POWER CORD ASSEMBLY

INDEX	PART NUMBER	DESCRIPTION	QTY
1	9984246	POWER CORD-JAPAN	1
	9989577	POWER CORD-EURO PLUG	
	9989576	POWER CORD - W/BSI PLUG -230V	
	9989781	POWER CORD-14AWG-DOM.	
2	9985886	STRAIN RELIEF-RIGHT ANGLE	1
	3104056	BUSHING #SR-7W-2	
3	4751041	BRACKET-MTG.-POWER CORD	1
	1471065	BRACKET - MOUNTING - POWER CORD	

Instant Noodle Merchandiser Parts Manual

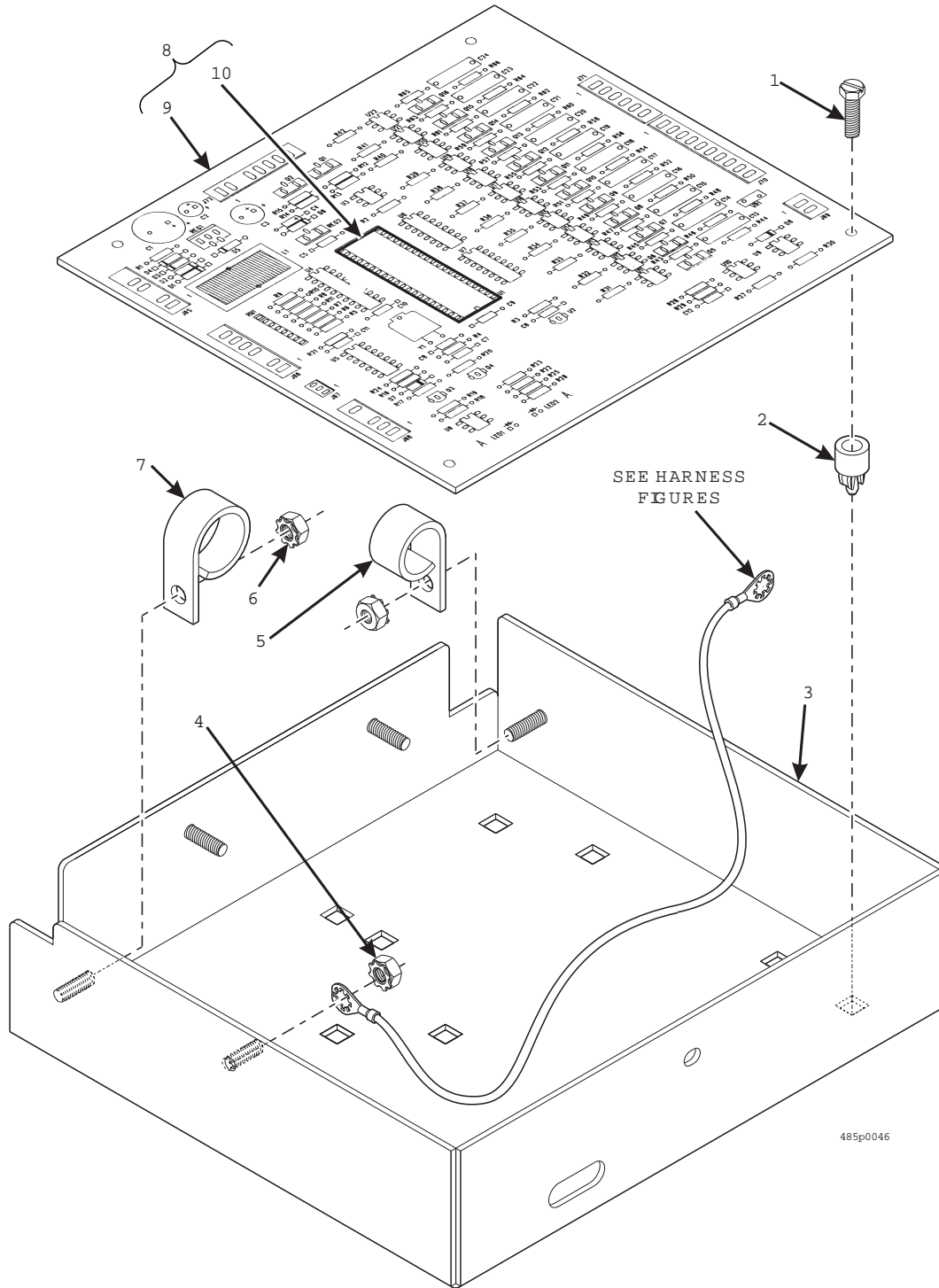


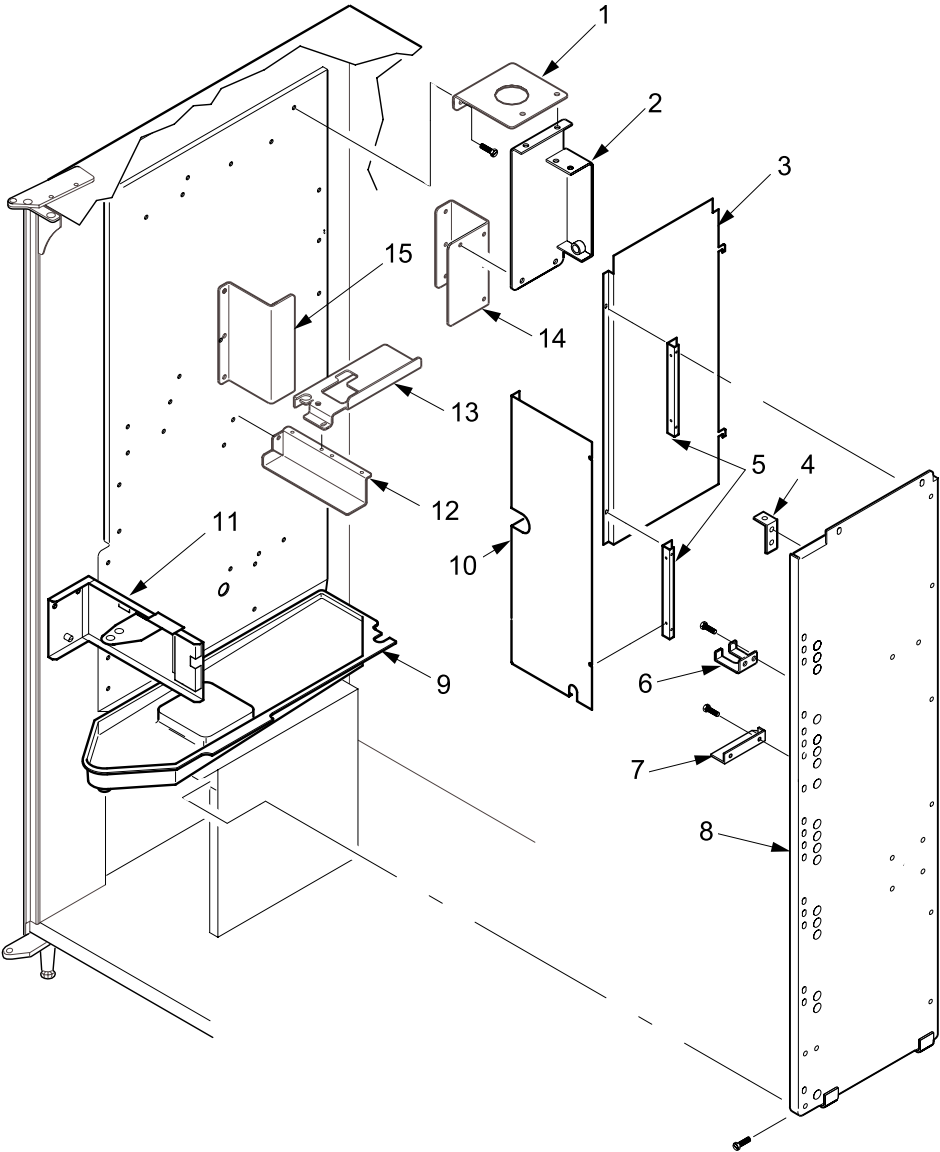
Figure 29. Hot Water PCB Assembly

Instant Noodle Merchandiser Parts Manual

TABLE 29. HOT WATER PCB ASSEMBLY

INDEX	PART NUMBER	DESCRIPTION	QTY
-	4511011	PCB & CHASSIS ASSY - H20 - 230V	-
-	4851049	COVER AND PCB ASSEMBLY - COFFEE	1
1	147199	SCREW - #8 - 18 X .62 HEX/WH.	4
2	1571034	STANDOFF - PCB - 3/8 SCREW MOUNT	10
3	4851031	COVER ASSEMBLY - PCB - COFFEE	1
4	9900081	NUT - #8-32 KEPS ZINC PLATE	1
5	4732024	RETAINER - HARNESS	1
6	9900081	NUT #8-32 KEPS ZINC PLATE	2
7	4751060	RETAINER - HARNESS	1
8	4516000X	CAB CONTROLLER - PCB W/EPROM - 230V	
8	4856003	CABINET CONTROLLER - WITH PROGRAMMED EPROM	1
9	4856000	PCB ASSEMBLY - RC3 - COFFEE MODULE	1
10	4856005	IC ASSEMBLY - VERSION B1	1

Instant Noodle Merchandiser Parts Manual



451p0012

Figure 30. Miscellaneous Components - Hot Water Section

Instant Noodle Merchandiser Parts Manual

TABLE 30. MISCELLANEOUS COMPONENTS - HOT WATER SECTION

INDEX	PART NUMBER	DESCRIPTION	QTY
1	4731347	BRACKET ASSEMBLY - BLOWER MOUNTING	1
2	4711007	COUPLING AND BRACKET ASSEMBLY	1
3	4511010	COVER - WATER TANK SIDE	1
4	4751071	ANGLE - SUPPORT LINER	1
5	4511008	BRACKET - WATER TANK COVER	2
6	6111056	SPRAY HOSE MUNTING BRACKET	1
7	4731017	SUPPORT-SHELVES	1
8	4851069	LINER ASSEMBLY - L.H. - FD	1
9	4791002	TRAY-CENTER PAN	1
10	4511009	COVER - WATER TANK - FRONT	1
11	4751173	MTG. BRACKET ASSEMBLY-MUG SWITCH	1
12	4761022	SUPPORT - WATER TANK	1
13	4751021	SHELF - WATER TANK	1
14	4731120	RETAINER - TANK - REAR	1
15	4761095	RETAINER - TANK	1

Instant Noodle Merchandiser Parts Manual

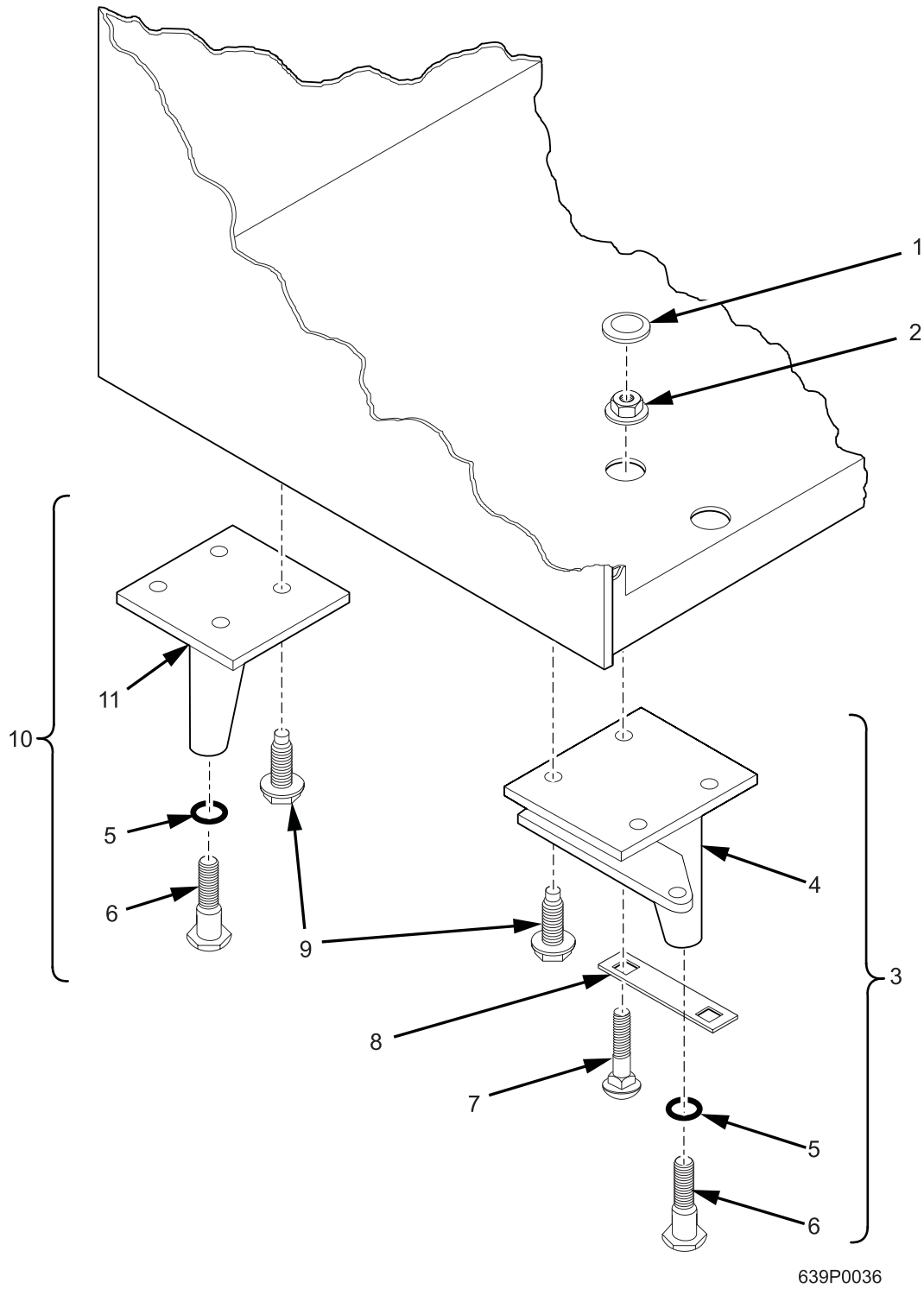


Figure 31. Leg and Leveler Assemblies

Instant Noodle Merchandiser Parts Manual

TABLE 31. LEG AND LEVELER ASSEMBLIES

INDEX	PART NUMBER	DESCRIPTION	QTY
1	6231034	PLUG - HOLE	2
2	1172021	NUT - 1/4-20 WHIZ - LOCK	2
3	6231163	LEG, HINGE, AND LEVELER ASSEMBLY (INDEX 4 - 9)	1
4	1571115	LEG AND HINGE ASSEMBLY	1
5	1471283	"O" RING - .49 ID X .10 DIA.	4
6	1471098	LEVELER - CABINET	4
7	1211112	TRAY BOLT	2
8	6231203	PLATE - HINGE LEG BOLT	1
9	9900218	SCREW #5/16 X 1, W/LOCKING RING	14
10	1471237	LEG AND LEVELER ASSEMBLY - (INDEX 5, 6, 9, 11)	3
11	1571127	LEG ASSEMBLY - CABINET	1

TABLE 32. B4510000 - BAG ASSEMBLY-15 (U.S./CAN)

PART NUMBER	DESCRIPTION	QTY
1477015	ROLL-PRICE DOLLARS	12
1477083	RETAINER-SPIRAL-WALL	10
1577047	LABEL-ITEM LETTERS-A0-A9	1
1577048	LABEL-ITEM LETTERS-B0-B9	1
1577049	LABEL-ITEM LETTERS-C0-C9	1
1577050	LABEL-ITEM LETTERS-D0-D9	1
1577051	LABEL-ITEM LETTERS-E0-E9	1
1577052	LABEL-ITEM LETTERS-F0-F9	1
2360036	BAG PACKING	2
3158008	ELBOW W/TAPE ASSEMBLY	1
3158026	LABEL-EVERPURE-SMALL-7001-07	1
4510001	DOCUMENTATION PACKAGE	1
4510013	W.D.PACKAGE-115V-DOMESTIC	1

Instant Noodle Merchandiser Parts Manual

TABLE 33. B4510001 - BAG ASSEMBLY-1

PART NUMBER	DESCRIPTION	QTY
1472273	PRICE ROLL-UK-1L/10L,40P/95P	5
1472274	PRICE ROLL-UK-1L/10L,8P/35P	32
1477083	RETAINER-SPIRAL-WALL	10
1572205	ROLL-PRICE-UK-36P TO 62P +FR	10
1572206	ROLL-PRICE-UK RANGE:63P TO 9	5
1575083	COIN CHUTE & BRACKET ASSEMBL	1
1575086	INSTR.SHEET-COIN CHUTE & BRK	1
1577061	LABEL-ITEM LETTERS-A0-A9-U.K	1
1577062	LABEL-ITEM LETTERS-B0-B9-U.K	1
1577063	LABEL-ITEM LETTERS-C0-C9-U.K	1
1577064	LABEL-ITEM LETTERS-D0-D9-U.K	1
1577065	LABEL-ITEM LETTERS-E0-E9-U.K	1
1577066	LABEL-ITEM LETTERS-F0-F9-U.K	1
2360036	BAG PACKING	2
3158008	ELBOW W/TAPE ASSEMBLY	1
3158026	LABEL-EVERPURE-SMALL-7001-07	1
4510001	DOCUMENTATION PACKAGE	1
4510014	W.D.PACKAGE-230V-EXEC.	1

Instant Noodle Merchandiser Parts Manual

TABLE 34. WIRING HARNESES

PART NUMBER	DESCRIPTION
1475117	HARNESS-INTRF.DEB.-VAL.-CM
1579003	HARNESS-COIN MECHANISM
1579013	HARNESS-POWER PANEL-DOMESTIC
1579017	HARNESS-COIN HANDLING-POWER
1579018	HARNESS-DATA PRINTER INTERFACE
1579019	HARNESS-DEX PRINTER INTERFACE
1579032	HARNESS-SERIAL VALIDATOR-24V
1579034	HARNESS FOR BA30/32SA**"MDB"**
1579048	HARNESS - MECH & VAL - JAPAN
1579049	HARNESS - CONTROL TO C2X INTERF - JAPAN
1579050	HARNESS**MDB**FOR CONLUX 2000
1599009	HARNESS-6 TRAY CHANNEL
1679050	HARNESS-EXEC.COIN-LONG
1679051	HARNESS-MAKA PULSE-LONG
1679052	HARNESS-MARS PULSE-LONG
1679053	HARNESS-SERIAL VAL.-LONG
1679054	HARNESS-"MDB" COIN & VAL.
1689000	HARNESS-4 MOTOR TRAY
1689001	HARNESS-8 MOTOR TRAY
4519000	HARNESS-POWER & COMM LINK
4519001	HARNESS-NOODLE MODULE-AC
4519002	HARNESS-NOODLE MODULE-DC
9989750	HARNESS-24VAC PCB & COIN POWER