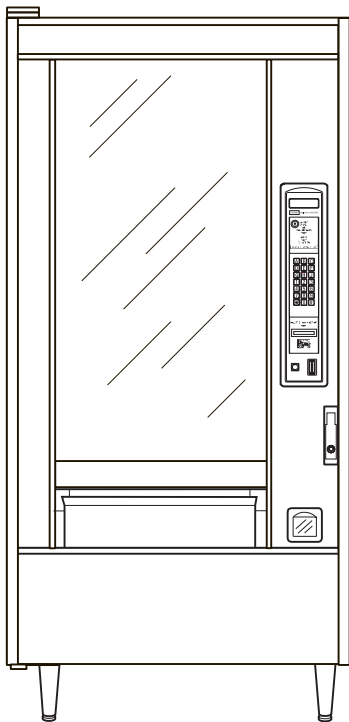
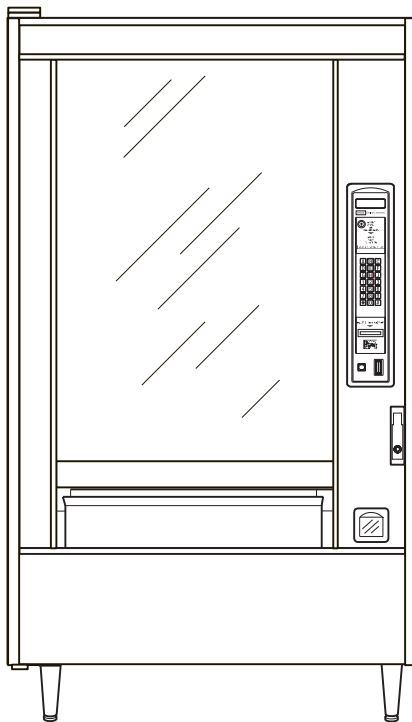


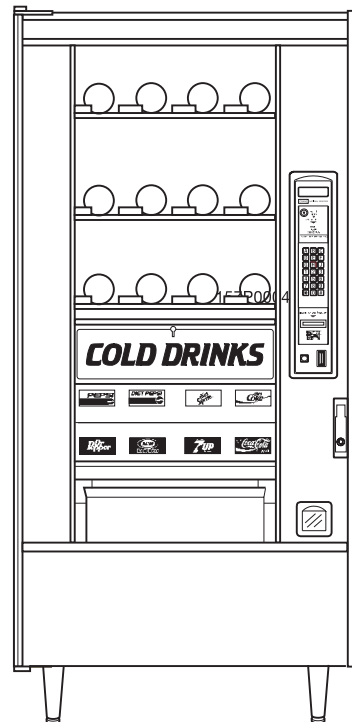
Snack/ Refreshment Center 2



168, 268, 765



167, 267, 764



784, 787

PARTS MANUAL

CRANE NATIONAL VENDORS

12955 Enterprise Way
Bridgeton, Missouri 63044-1200
(314) 298-3500
www.nationalvendors.com

Copyright© 6-00

1670009

LIST OF FIGURES

Figure.....	Page
1. Model Identification	1
2. Common Cabinet (Part 1 of 2).....	2
3. Common Cabinet (Part 2 of 2).....	6
4. Power Panel Assembly - U.S.	10
5. Power Panel Assembly - Models 167 & 168 - U.K.....	12
6. Power Panel Assembly - Models 764, 765, & 787 - U.K.....	14
7. Power Panel Assembly - 230 V - Fr/Ger	16
8. Monetary Panel Assembly (Part 1 of 4)	18
9. Monetary Panel Assembly (Part 2 of 4)	20
10. Monetary Panel Assembly (Part 3 of 4)	22
11. Monetary Panel Assembly (Part 4 of 4) - Millennia Styling.....	24
12. Card Reader and Bill Validator Combinations.....	26
13. Candy Tray Assembly (Part 1 of 2).....	30
14. Candy Tray Assembly (Part 2 of 2).....	32
15. Snack Tray Assembly (Part 1 of 2)	34
16. Snack Tray Assembly (Part 2 of 2)	36
17. Gum and Mint Tray Assembly (Part 1 of 2)	38
18. Gum and Mint Tray Assembly (Part 2 of 2)	40
19. Cigarette Tray Assembly (Part 1 of 2).....	42
20. Cigarette Tray Assembly (Part 2 of 2).....	44
21. Base Plate Assembly (Standard Shown)	46
22. Door Assembly (Imperial Crown and Signature Styling)	48
23. Common Trim and Panel Components	50
24. Door Assembly (Millennia Styling)	58
25. Door Glass and Glass Retaining Components (Millennia Styling).....	60
26. Horizontal Trim and Glass Channel Assembly (Millennia Styling)	62
27. Common Trim and Panel Components - Millennia Styling (Part 1 of 2).....	64
28. Common Trim and Panel Components - Millennia Styling (Part 2 of 2).....	66
29. Coin Receptacle Assembly	68
30. Light Assembly - Upper Door	70
31. Door Assembly - Models 784, 787 With Refrig/Frozen Food Module	72
32. Fluorescent Side Light Assembly.....	74
33. Door Lock and Handle Assembly (Imperial Crown and Signature Styles)	76
34. Door Lock and Handle Assembly (Millennia Style).....	78
35. Gum and Mint Mounting Details.....	80
36. Gum and Mint Assembly	82
37. Delivery Pan Assembly	86
38. Delivery Pan Latch Mechanism - Part 1 of 2 (Food Module Equipped Machines Only)	88
39. Delivery Pan Latch Mechanism - Part 2 of 2 (Food Module Equipped Machines Only)	90
40. Leg, Leveler, and Leg and Hinge Assemblies	92
54. Can and Refrigeration Module	104
57. Motor and Ejector Mounting Channel Assembly.....	108
58. Can Unit Frame Assembly.....	110
59. Can Unit Frame Assembly (Australia).....	112
60. Can Compartment Assembly	114
61. Can Compartment Assembly (Australia)	116
62. Refrigeration Module - Chilled Snack	118
63. Refrigerated Food Module and Housing Assembly	120
64. Major Components - Refrigerated Food Module	122
67. Food Module Door Frame Assembly.....	126
68. Refrigerated and Frozen Food Module - Interior View (Part 1 of 2).....	128

Snack / Refreshment Center 2 Parts Manual

Figure	Page
69. Refrigerated and Frozen Food Module - Interior View (Part 2 of 2)	130
70. General Tray Assemblies - Refrigerated Food Module.....	132
71. Pusher Module Assembly	134
72. Belt Module Assembly	136
73. Spiral Module Assembly	138
74. Door Assembly - Refrigerated Food Module	140
75. Left Hand Drive Arm Assembly.....	142
76. Right Hand Drive Arm Assembly	144
77. Motor Mounting Bracket Assembly	146
78. Frozen Food Module and Housing Assembly.....	148
79. Major Components - Frozen Food Module	150
80. Door Assembly - Frozen Food Module.....	152

LIST OF TABLES

TABLE	PAGE
2. Common Cabinet (Part 1 of 2)	3
3. Common Cabinet (Part 2 of 2)	7
4. Cabinet Insulation for Chilled Snack or Chilled RC-2	9
5. Power Panel Assembly - U.S.	11
6. Power Panel Assembly - Models 167 & 168 - U.K.	13
6. Power Panel Assembly - Models 764, 765, & 787 - U.K.	15
7. Power Panel Assembly - 230 V - Fr/Ger	17
7. Monetary Panel Assembly (Part 1 of 4)	19
8. Monetary Panel Assembly (Part 2 of 4)	21
9. Monetary Panel Assembly (Part 3 of 4)	23
10. Monetary Panel Assembly (Part 4 of 4) - Millennia Styling	25
11. Card Reader and Bill Validator Combinations	27
11 A. Monetary Location Options	27
11 B. Card Reader Options	28
11 C. Bill Validator Options	28
11 D. Coin Mechanism Options	29
12. Candy Tray Assembly (Part 1 of 2)	31
13. Candy Tray Assembly (Part 2 of 2)	33
14. Snack Tray Assembly (Part 1 of 2)	35
15. Snack Tray Assembly (Part 2 of 2)	37
16. Gum and Mint Tray Assembly (Part 1 of 2)	39
17. Gum and Mint Tray Assembly (Part 2 of 2)	41
18. Cigarette Tray Assembly (Part 1 of 2)	43
19. Cigarette Tray Assembly (Part 2 of 2)	45
19 A. Price rolls (For Trays)	45
19 B. Spiral Options	45
20. Base Plate Assembly (Standard Shown)	47
21. Door Assembly (Imperial Crown and Signature Styling)	49
22. Common Trim and Panel Components	51
22 A. Top Trim Panel Options (Index # 5) - Models 167, 267, 764 (Imperial Crown and Signature Styles) 52	
22 B. Top Trim Panel Options (Index # 5) - Models 168, 268, 764, 765 & 787 (Imperial Crown and Signature Styles) 52	
22 C. Right Hand Trim Panel Options (Index # 9) (Imperial Crown and Signature Styles) 53	
22 D. Bottom Trim Panel Options (Index # 11) - Models 167, 267, 764 (Imperial Crown and Signature Styles) 54	
22 E. Bottom Trim Panel Options (Index # 11) - Models 168, 268, 765, 784, 787 (Imperial Crown and Signature Styles) 55	
22 F. Left Hand Trim Panel Options (Index # 14) - Models 167, 267, 764 (Imperial Crown and Signature Styles) 56	
22 G. Left Hand Trim Panel Options (Index # 14) - Models 168, 268, 765, 784, 787 (Imperial Crown and Signature Styles) 57	
23. Door Assembly (Millennia Styling)	59
24. Door Glass and Glass Retaining Components (Millennia Styling)	61
25. Horizontal Trim and Glass Channel Assembly (Millennia Styling)	63
26. Common Trim and Panel Components - Millennia Styling (Part 1 of 2)	65
27. Common Trim and Panel Components - Millennia Styling (Part 2 of 2)	67
28. Coin Receptacle Assembly	69
29. Light Assembly - Upper Door	71
30. Door Assembly - Models 784, 787 With Refrig/Frozen Food Module	73

Snack / Refreshment Center 2 Parts Manual

TABLE	PAGE
31. Fluorescent Side Light Assembly	75
32. Door Lock and Handle Assembly (Imperial Crown and Signature Styles)	77
33. Door Lock and Handle Assembly (Millennia Style)	79
34. Gum and Mint Mounting Details	81
35. Gum and Mint Assembly	83
36. Delivery Pan Assembly	87
37. Delivery Pan Latch Mechanism - Part 1 of 2 (Food Module Equipped Machines Only)	89
38. Delivery Pan Latch Mechanism - Part 2 of 2 (Food Module Equipped Machines Only)	91
39. Leg, Leveler, and Leg and Hinge Assemblies	93
40. Bag Assembly B1570006 (Used On Model 167, 168 - Domestic) 94	
41. Bag Assembly B1570007 (Used On Models 167/168 - United Kingdom) 94	
42. Bag Assembly B1570003 (Used On Models 167/168 - French & German) 95	
43. Bag Assembly B2570002 - Domestic (Used On Models 267, 268) 95	
44. Bag Assembly B4640004 - Domestic (Used On Models 764, 765) 96	
45. Bag Assembly B4640002 (Used On Model 764, 765 - United Kingdom ONLY) 96	
46. Bag Assembly B4640000 (Used On Models 764, 765 - French & German) 97	
47. Bag Assembly B4840007 (Used On Model 784 With Can Drink Option - 110V) 98	
48. Bag Assembly B4840006 (Used On Model 784 With Refrigerated/Frozen Food Option - 110V) 99	
49. Bag Assembly B4870000 (Used On Model 787 With Can Drink Option - United Kingdom) 100	
50. Bag Assembly B4870007 (Used On 787 With Can Drink Option - France & Germany) 101	
51. Bag Assembly B4870001 (Used On 787 With Frozen/Refrigerated Food Modules - United Kingdom) 102	
52. Bag Assembly B4870008 (Used On 787 With Frozen/Refrigerated Food Modules - France & Germany) 103	
53. Can and Refrigeration Module	105
54. Refrigeration Module Assembly - Can (110V) - No Chill	106
55. Refrigeration Module Assembly - Can (230 V) - Chilled	107
56. Motor and Ejector Mounting Channel Assembly	109
57. Can Unit Frame Assembly	111
58. Can Unit Frame Assembly (Australia)	113
59. Can Compartment Assembly	115
60. Can Compartment Assembly (Australia)	117
61. Refrigeration Module - Chilled Snack	119
62. Refrigerated Food Module and Housing Assembly	121
63. Major Components - Refrigerated Food Module	123
64. Refrigeration Module Assembly - Food (110V)	124
65. Refrigeration Module Assembly - Food (230 V)	125
66. Food Module Door Frame Assembly	127
67. Refrigerated and Frozen Food Module - Interior View (Part 1 of 2)	129
68. Refrigerated and Frozen Food Module - Interior View (Part 2 of 2)	131
69. General Tray Assemblies - Refrigerated Food Module	133

Snack / Refreshment Center 2 Parts Manual

TABLE	PAGE
70. Pusher Module Assembly	135
71. Belt Module Assembly	137
72. Spiral Module Assembly	139
72 A. Spiral Options (For Refrigerated / Frozen Food Trays)	139
73. Door Assembly - Refrigerated Food Module	141
74. Left Hand Drive Arm Assembly	143
75. Right Hand Drive Arm Assembly	145
76. Motor Mounting Bracket Assembly	147
77. Frozen Food Module and Housing Assembly	149
78. Major Components - Frozen Food Module	151
79. Door Assembly - Frozen Food Module	153
80. refrigeration unit components (part 1)	154
80. refrigeration unit components (part 2)	155

Snack / Refreshment Center 2 Parts Manual

TABLE PAGE

Snack / Refreshment Center 2 Parts Manual

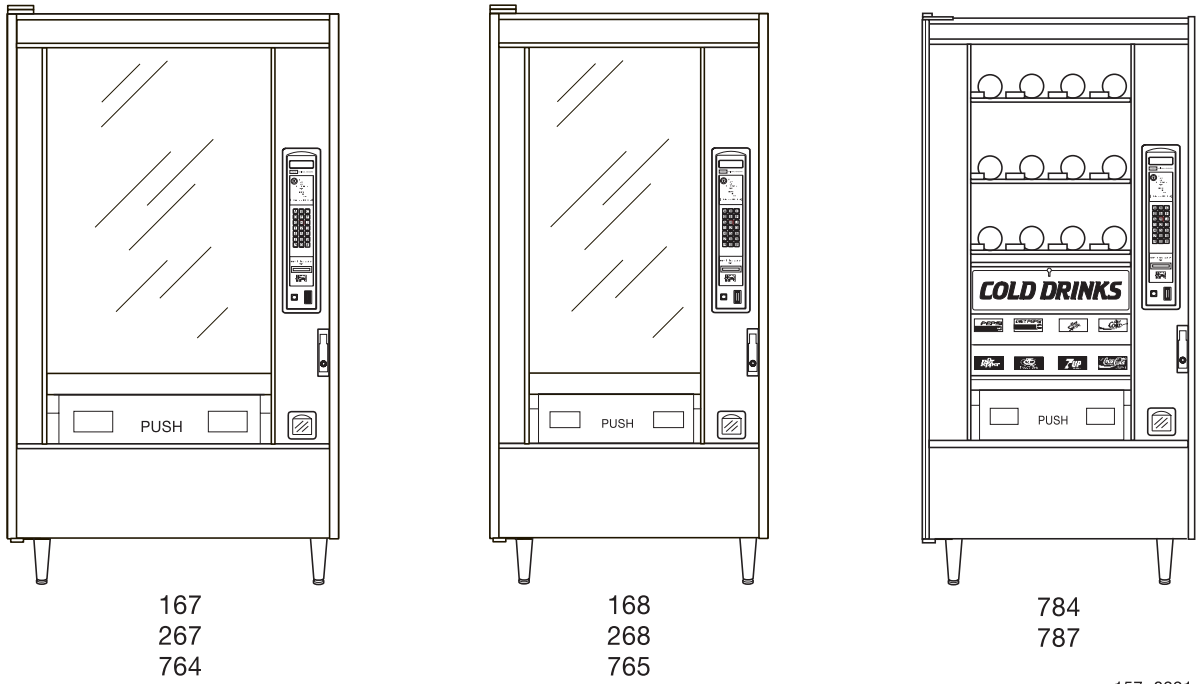
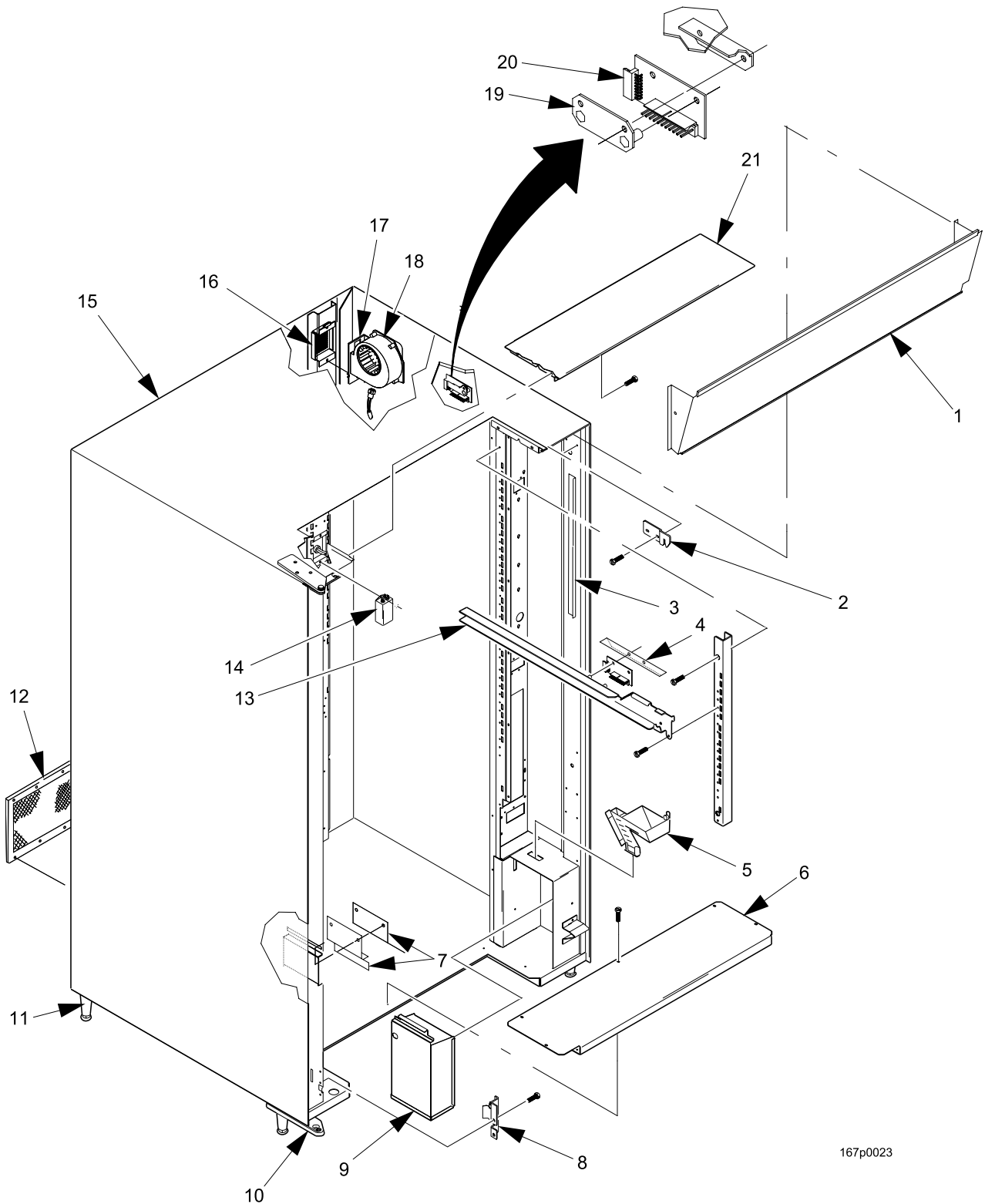


Figure 1. Model Identification

Snack / Refreshment Center 2 Parts Manual



167p0023

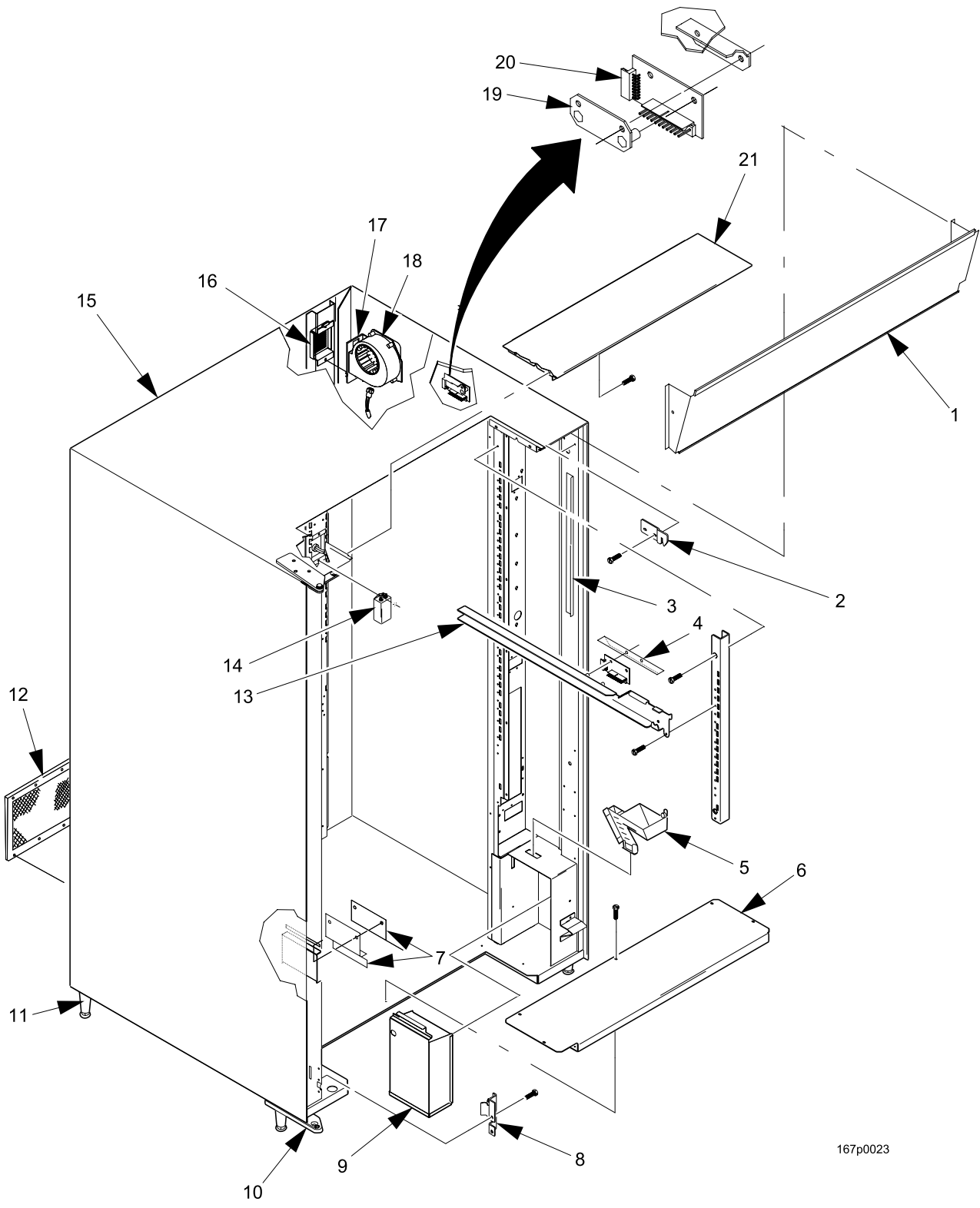
Figure 2. Common Cabinet (Part 1 of 2)

Snack / Refreshment Center 2 Parts Manual

TABLE 2. COMMON CABINET (PART 1 OF 2)

INDEX	PART NUMBER	DESCRIPTION	QTY.
1	1571102	PANEL - FILLER (167, 267, 764)	1
2	1571074	LOCK ARM - CABINET	2
3	1571022	STOP - MONETARY PANEL	2
4	1571229	SHIELD - TRAY RAIL/PCB	OPT.
5	6231242	CHUTE - PAYOUT	1
6	1571187	BASE FILLER ASSEMBLY - NV BLACK (167, 267, 764 -IMPERIAL CROWN, SIGNATURE & MILLENNIA BLACK)	1
	1571190	BASE FILLER ASSEMBLY - MILL. GRAY (167, 267, 764 -MILLENNIA GRAY)	
6	1581057	BASE FILLER ASSEMBLY - NV BLACK (168, 268, 765, 784, 787)	1
	1581060	BASE FILLER ASSEMBLY - MILL GRAY (168, 268, 765, 784, 787)	
	4871011	BASE FILLER ASSEMBLY - SELECTA WHITE (168, 268, 765, 784, 787)	
7	1571123	DEFLECTOR - LARGE SNACK (167, 267, 764)	1
	1581039	DEFLECTOR ASSEMBLY - SMALL SNACK (168, 268, 765, 784)	
8	1571090	PLATE ASSEMBLY - DOOR CHECK	1
9	1571029	MONEY BOX ASSEMBLY	1
10	6231163	LEG, HINGE & LEVELER ASSEMBLY (SEE FIGURE 40 FOR DETAILS)	1
11	1471237	LEG & LEVELER ASSEMBLY - CABINET (SEE FIGURE 40 FOR DETAILS)	3
12	1581067	PLATE - CABINET BACK (167, 168, 267, 268)	1
	4521021	SCREEN ASSEMBLY - VENT (764, 765, 784, 787)	
13	1571179	TRAY GUIDE RAIL - W/STANDOFFS (RIGHT HAND SIDE, ALL EXCEPT TOP TRAY)	OPT.
14	9989110	FILTER - POWER LINE - EMI	1
15	1571185	CABINET ASSEMBLY - NV BLACK (167, 267) (IMPERIAL CROWN & SIGNATURE)	1
	1571188	CABINET ASSEMBLY - MILL. GRAY (167, 267)	
	1571200	CABINET ASSEMBLY - NV BLACK (764 - IMPERIAL CROWN, SIGNATURE, MILLENNIA BLACK)	
	1571201	CABINET ASSEMBLY - MILL. GRAY (764)	
	1581055	CABINET ASSEMBLY - N.V. BLACK (168, 268)	
	1581058	CABINET ASSEMBLY - MILL. GRAY (168, 268)	
	1581068	CABINET ASSEMBLY - NV BLACK (765, 784, 787 -IMPERIAL CROWN, SIGNATURE & MILLENNIA BLACK)	
	1581069	CABINET ASSEMBLY - MILLENNIA GRAY (765, 784, 787)	
16	1471054	BRACKET & SCREEN ASSEMBLY - EXHAUST	OPT
	1471090	COVER - FAN HOLE (NO FAN OPTION ONLY)	

Snack / Refreshment Center 2 Parts Manual



167p0023

Figure 2. Common Cabinet (Part 1 of 2) (Continued)

Snack / Refreshment Center 2 Parts Manual

TABLE 2. COMMON CABINET (PART 1 OF 2) (CONTINUED)

INDEX	PART NUMBER	DESCRIPTION	QTY.
17	1471398	BRACKET - EXHAUST FAN	OPT.
18	6231548	BLOWER ASSEMBLY - 120V	OPT.
	6401088	BLOWER ASSEMBLY - 230V	
19	1571175	PLATE - PCB RAIL - MOUNTING (TOP TRAY PCB ONLY)	1
20	1596012	PCB ASSEMBLY - TRAY	OPT.
21	1581059	TOP FILLER ASSEMBLY - MILL. GRAY (168, 268, 765, 784, 787)	1
	1571186	TOP FILLER ASSEMBLY - NV BLACK (167, 267, 764 - IMPERIAL CROWN, SIGNATURE & MILLENNIA BLACK)	
	1571189	TOP FILLER ASSEMBLY - MILL. GRAY (167, 267, 764)	
	1581056	TOP FILLER ASSEMBLY - NV BLACK (168, 268, 765, 784, 787)	
	4871010	TOP FILLER ASSEMBLY - SELECTA WHITE (168, 268, 765, 784, 787)	
-	1571236	TRAY GUIDE RAIL ASSEMBLY - RIGHT HAND (TOP TRAY) (NOT SHOWN)	
-	1571181	TRAY GUIDE RAIL ASSEMBLY - LEFT HAND (ALL TRAYS) (NOT SHOWN)	

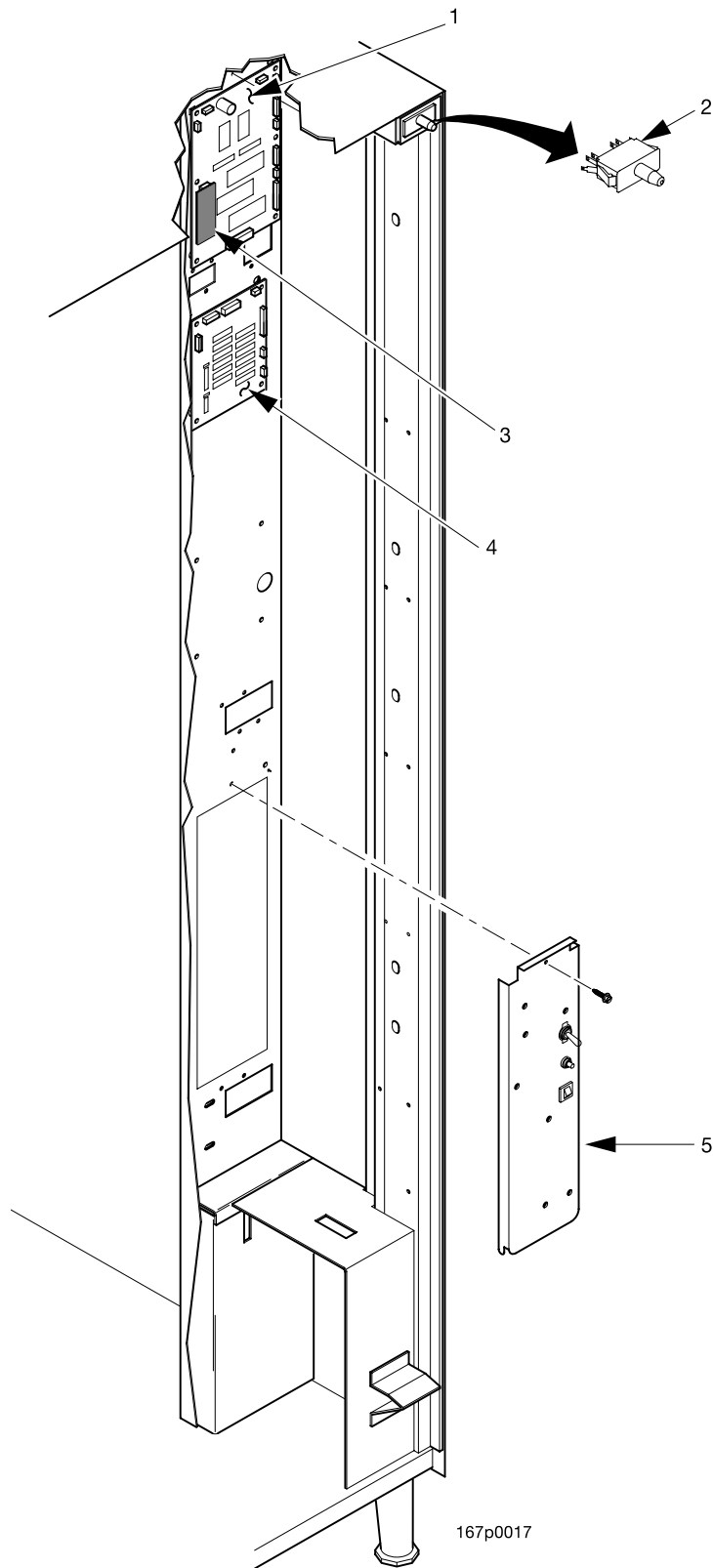


Figure 3. Common Cabinet (Part 2 of 2)

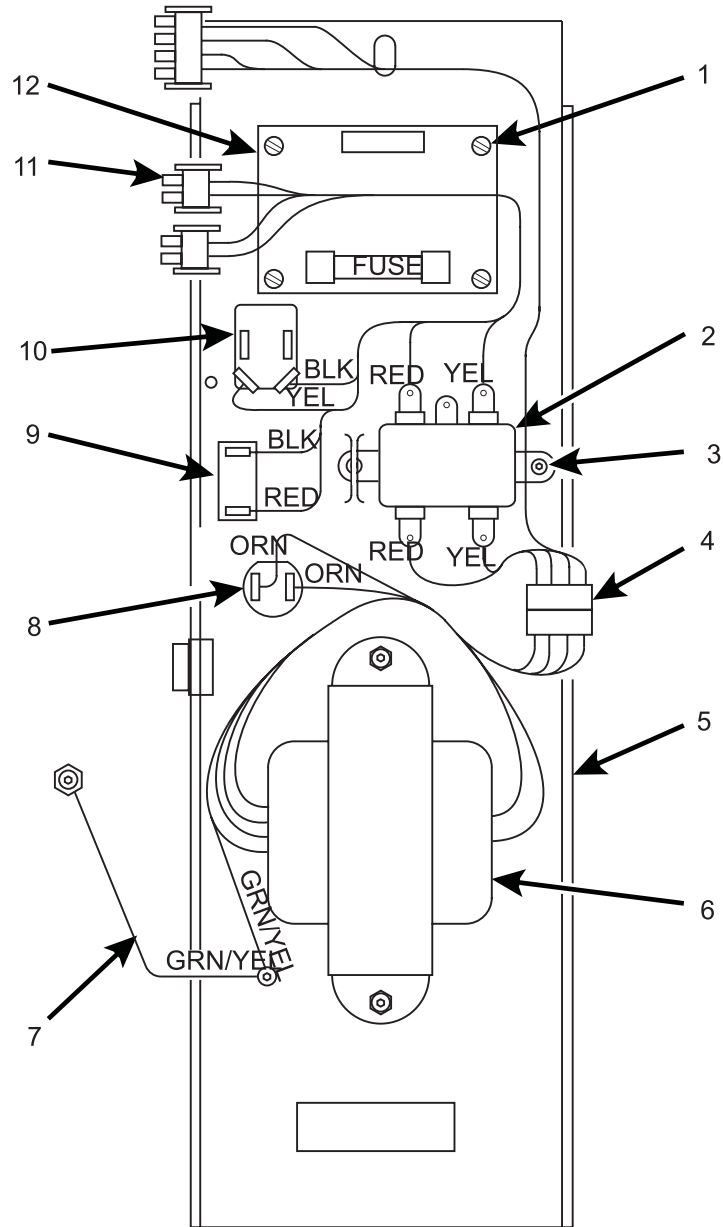
Snack / Refreshment Center 2 Parts Manual

TABLE 2. COMMON CABINET (PART 2)

INDEX	PART NUMBER	DESCRIPTION	QTY
-	1586015	MAIN CONTROLLER WITH EPROM (INCLUDES ITEM 1)	1
1	9989751	PCB ASSEMBLY - MAIN CONTROLLER	1
2	1211141	SWITCH INTERLOCK (115V MACHINES)	1
	2366135	SWITCH INTERLOCK (230V MACHINES)	
3	9989687	PCB ASSEMBLY - EXECUTIVE INTERFACE (USED WITH EXEC COIN MECH. OPTION)	1
4	1576008	PCB ASSEMBLY - SNACK INTERFACE	1
5	4521041	POWER PANEL ASEMBLY - 230V (MODELS 167, 168, 764, 765, 787 - FRENCH & GERMAN)	1
	4521020	POWER PANEL ASSEMBLY - 230V (MODELS 764, 765, 787 - UNITED KINGDOM)	
	4841012	POWER PANEL ASSEMBLY - 115V	
-	9989687	PCB ASSEMBLY - EXECUTIVE INTERFACE (AUSTRALIA) (NOT SHOWN)	1

Snack / Refreshment Center 2 Parts Manual

TABLE 4. CABINET INSULATION FOR CHILLED SNACK OR CHILLED RC-2		
PART NUMBER	DESCRIPTION	QTY
U.S. MODELS		
4641077	INSULATION - CABINET TOP - 38" - WHITE (764)	1
4651021	INSULATION - CABINET TOP - 32" - WHITE (765)	
4641080	INSULATION - RIGHT HAND SIDE PIECE - WHITE	
4641076	INSULATION - LEFT HAND SIDE - FULL - WHITE	1
4641064	INSULATION - CABINET BACK - WHITE (764)	1
4641066	INSULATION - CABINET BACK - WHITE (765)	
INTERNATIONAL MODELS		
4641081	INSULATION - CABINET TOP - 38" - BLACK 764)	1
4641056	INSULATION - CABINET TOP - 32" - BLACK (765 AND 787)	
4641055	INSULATION - RIGHT HAND SIDE PIECE - BLACK	1
4911005	INSULATION - LEFT HAND SIDE - FULL - BLACK	
4641058	INSULATION - CABINET BACK - 38" - BLACK (764)	1
4641068	INSULATION - CABINET BACK - 32" - BLACK (765 AND 787)	
COVER & AIR DUCT ASSEMBLY - U.S. MODELS (4641079)		
4611007	SHUTTER - AIR DUCT	12
4641025	COVER - AIR DUCT - BLACK	2
4644034	GASKET - AIR DUCT	2
4641059	EXTENSION - AIR DUCT - WHITE	1
4641078	INSULATION - AIR DUCT RIGHT HAND SIDE - WHITE (U.S. MODELS)	1
COVER & AIR DUCT ASSEMBLY - INTERNATIONAL (4911004)		
4611007	SHUTTER - AIR DUCT	12
4641025	COVER - AIR DUCT - BLACK	2
4644034	GASKET - AIR DUCT	2
4641059	EXTENSION - AIR DUCT - WHITE	1
4641054	INSULATION - AIR DUCT RIGHT HAND SIDE - BLACK	1
ADDITIONAL INSULATION FOR TROPICAL MODELS		
4641043	INSULATION - TOP - CHANNEL (MODEL 764 ONLY)	1
4651012	INSULATION - TOP - CHANNEL (MODELS 765 AND 787)	
4641031	INSULATION - TOP FRONT - RIGHT	1
4641033	INSULATION - TOP FRONT - CENTER (MODEL 764 ONLY)	1
4651011	INSULATION - TOP FRONT - CENTER (MODELS 765 AND 787)	
4641032	INSULATION - TOP FRONT - LEFT	1
MOUNTING HARDWARE		
4641009	"W" BRACKET - INSULATION MOUNTING	-
4981001	ANGLE - INSULATION - REAR	-
4621003	RETAINER - TOP INSULATION	-



167p0005

Figure 4. Power Panel Assembly - U.S.

Snack / Refreshment Center 2 Parts Manual

TABLE 5. POWER PANEL ASSEMBLY - U.S.

INDEX	PART NUMBER	DESCRIPTION	QTY
-	4841012	POWER PANEL ASSEMBLY - DOMESTIC	1
1	1571035	STANDOFF - PCB - 3/8 SNAP LOCK	4
2	9989100	INTERFERENCE FILTER	1
3	9900081	NUT #8-32 KEPS ZINC PLATE	-
4	1579017	HARNESS - COIN HANDLING - POWER	1
5	1571040	PLATE & STUD ASSEMBLY - POWER - DOM.	1
6	9989042	TRANSFORMER - 115V/230V PRIMARY, 24V SECONDARY	1
7	9984165	JUMPER - GROUND WIRE	1
8	9989336	CIRCUIT BREAKER - 3 AMP	1
9	9989672	CIRCUIT BREAKER - 3 AMP	1
10	9984629	SWITCH - TOGGLE - DPST - 20 AMP	1
11	1579013	HARNESS - POWER PANEL - DOMESTIC	1
12	9989659	PCB ASSEMBLY - DUMB MECH POWER SUPPLY	1

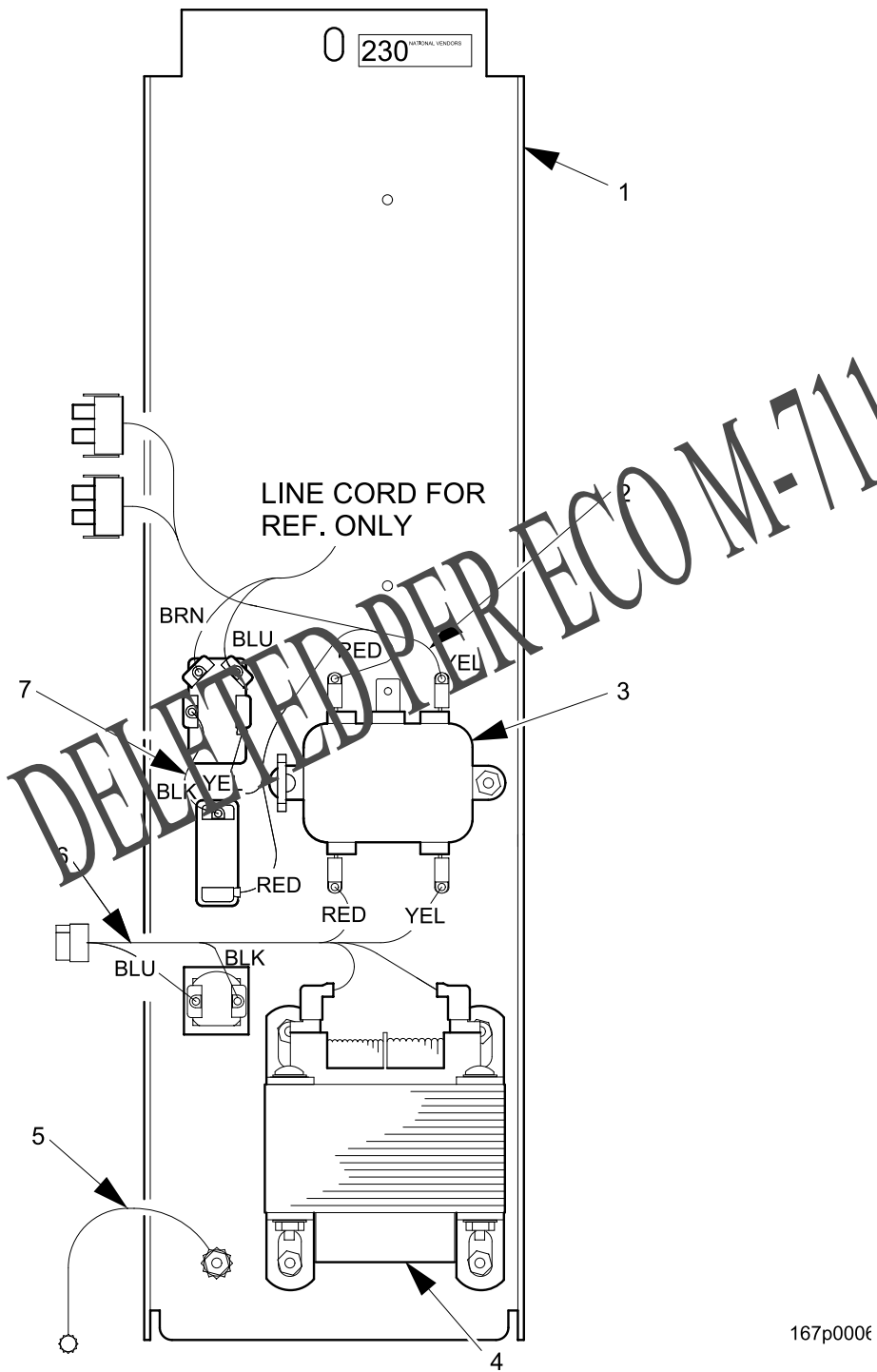


Figure 5. Power Panel Assembly - Models 167 & 168 - U.K.

Snack / Refreshment Center 2 Parts Manual

TABLE 5. POWER PANEL ASSEMBLY - MODELS 167 & 168 - U.K.

INDEX	PART NUMBER	DESCRIPTION	QTY
-	4522020	POWER ASSEMBLY - UK - 230V - W/O FILTER	1
1	1701025	PLATE - HOUSING - PANEL	1
2	1709000	HARNESS - POWER PANEL - INTERNATIONAL	1
3	9989100	INTERFERENCE FILTER	1
4	9989046	24V XFMR - DUAL PIR. - .187 TERM.	1
5	9984165	JUMPER - GROUND WIRE	1
6	1709001	JUMPER - TRANSFORMER - INTERNATIONAL	1
7	1709006	JUMPER - MAIN SWITCH TO BREAKER	1

DELETED PER ECOM-7110

Snack / Refreshment Center 2 Parts Manual

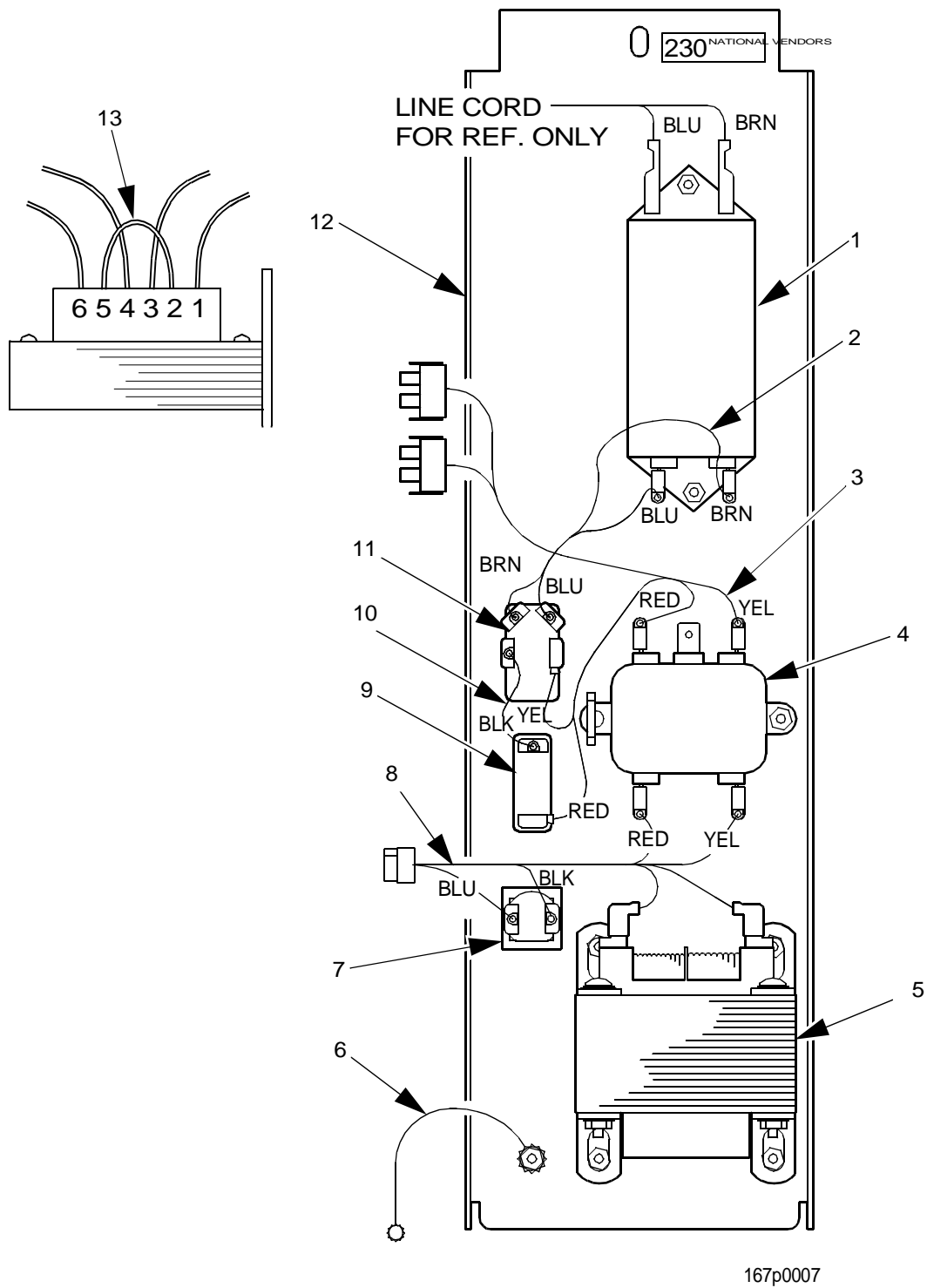
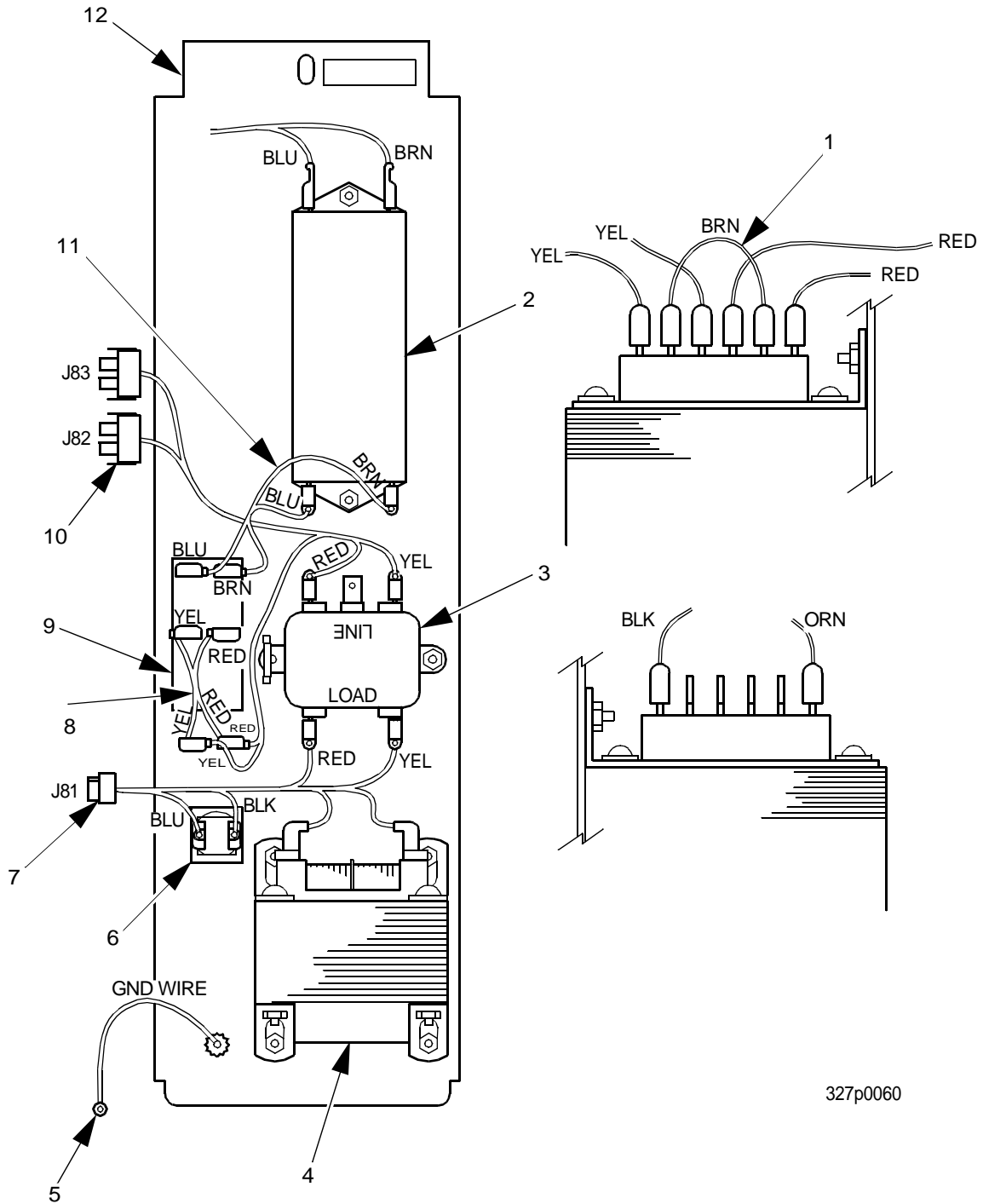


Figure 6. Power Panel Assembly - Models 764, 765, & 787 - U.K.

Snack / Refreshment Center 2 Parts Manual

TABLE 6. POWER PANEL ASSEMBLY - MODELS 764, 765, & 787 - U.K.

INDEX	PART NUMBER	DESCRIPTION	QTY
-	4521020	POWER PANEL ASSY-U.K.-230V	-
1	9989110	MAIN LINE FILTER	1
2	6849015	JUMPER	1
3	1709000	HARNESS	1
4	9989100	E.M.I. FILTER	1
5	9989046	24V XFMR-DUAL PIR.-.187 TERM.	1
6	9984094	GROUND WIRE	1
7	9989674	BREAKER - 4A	1
8	1709001	HARNESS	1
9	9989672	BREAKER-15A	1
10	1709006	JUMPER	1
11	9984629	SWTICH	1
12	1701025	PLATE-HOUSING-PANEL	1
13	4279001	JUMPER	1



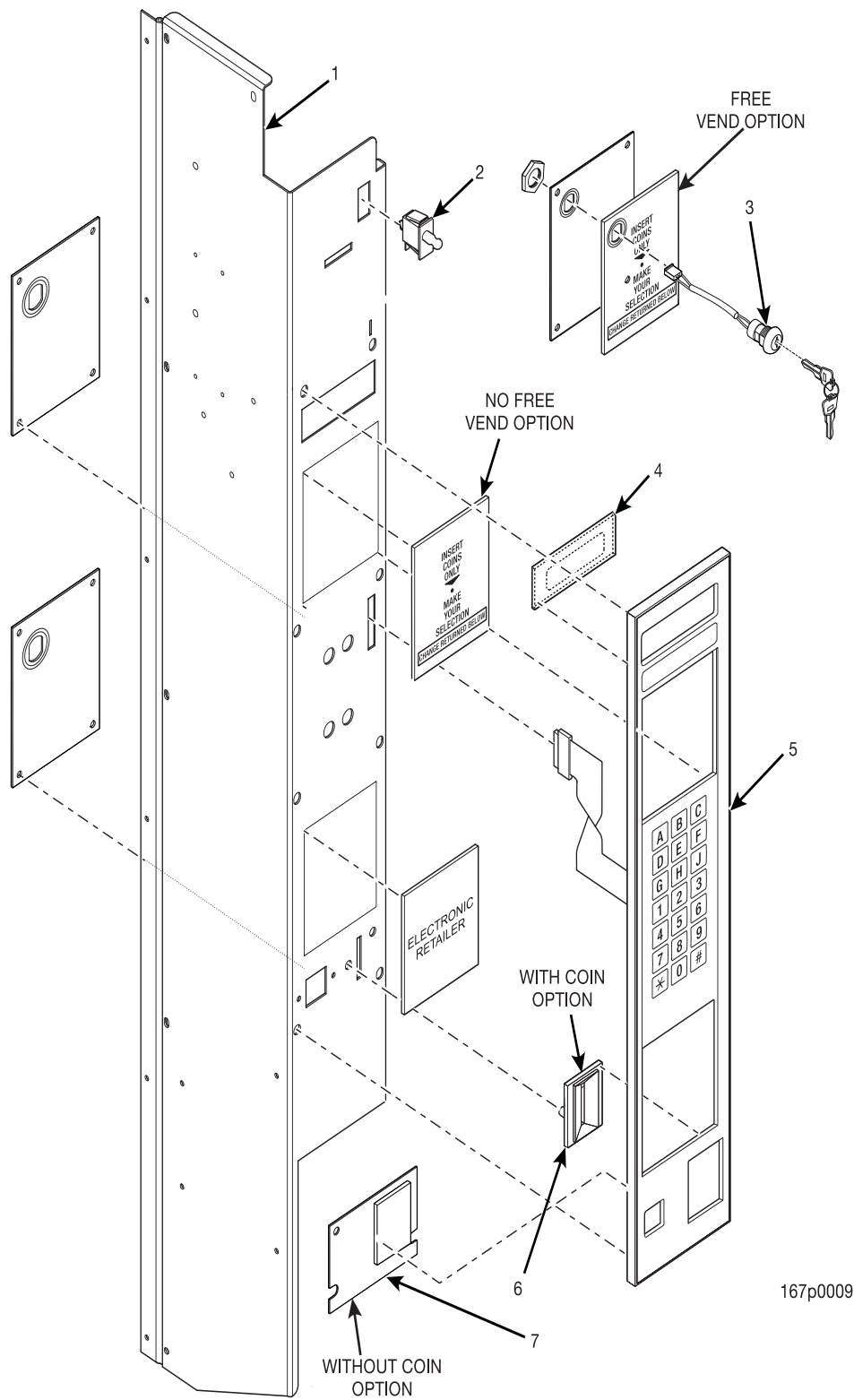
327p0060

Figure 7. Power Panel Assembly - 230 V - Fr/Ger

Snack / Refreshment Center 2 Parts Manual

TABLE 7. POWER PANEL ASSEMBLY - 230 V - FR/GER

INDEX	PART NUMBER	DESCRIPTION	QTY
-	4521041	POWER PANEL ASSY-230V FR/GER	REF
1	4279001	JUMPER-230V-XFMR PRI	1
2	9989110	FILTER-POWER LINE-EMI	1
3	9989100	INTERFERENCE FILTER	1
4	9989046	24V XFMR-DUAL PIR.-.187 TERM	1
5	9984094	WIRE-GROUND-14"	1
6	9989674	CIRCUIT BREAKER-4 AMP	1
7	1709001	JUMPER-TRANSFORMER-FOREIGN	1
8	4529002	JUMPER-FRENCH/GERMAN SWITCH	1
9	9984627	CIRCUIT BREAKER/SWITCH-16 AM	1
10	1709000	HARNESS-POWER PANEL-FOREIGN	1
11	6849015	JUMPER-POWER SW	1
12	4521036	PLATE-HOUSING-PANEL-FR/GER.	1



167p0009

Figure 8. Monetary Panel Assembly (Part 1 of 4)

Snack / Refreshment Center 2 Parts Manual

TABLE 7. MONETARY PANEL ASSEMBLY (PART 1 OF 4)

INDEX	PART NUMBER	DESCRIPTION	QTY
1	1575094	MONETARY PANEL WELD ASSEMBLY - NV BLACK	1
	4875001	MONETARY PANEL WELD ASSEMBLY - SELECTA WHITE	
2	1401110	SWITCH - SERVICE	1
3	9989639	SWITCH ASSEMBLY - FREE VEND	1
4	1572013	LENS - DISPLAY	1
5	1575098	FACEPLATE ASSEMBLY (WITH COIN OPTION)	1
	1575099	FACEPLATE ASSEMBLY (NO COIN OPTION)	
6	1472223	COIN INSERT (WITH COIN OPTION)	1
	1672001	COIN INSERT (AUSTRALIA ONLY) (NOT SHOWN)	
7	-	LOWER MONETARY POSITION	-

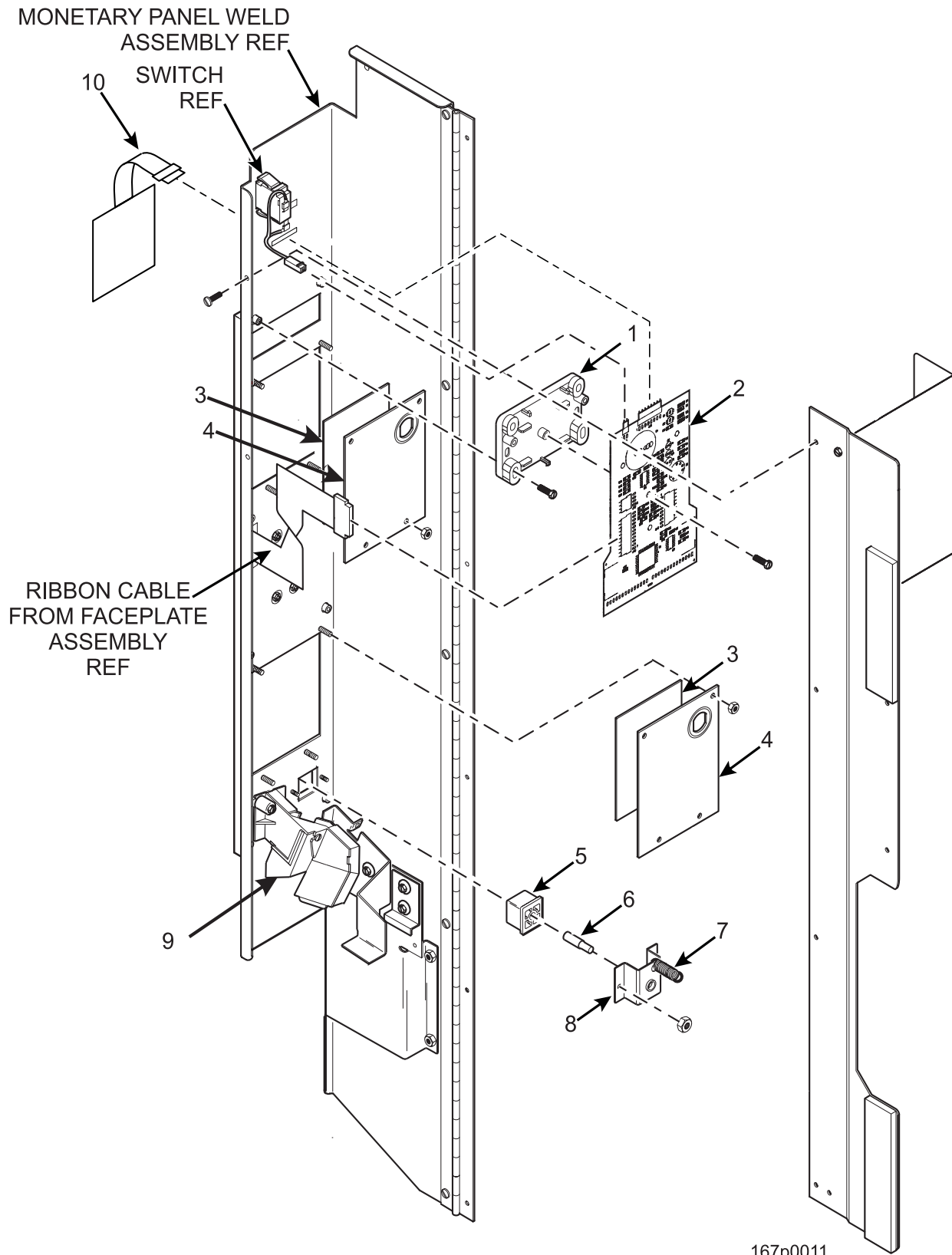


Figure 9. Monetary Panel Assembly (Part 2 of 4)

Snack / Refreshment Center 2 Parts Manual

TABLE 10. MONETARY PANEL ASSEMBLY (PART 2 OF 4)

INDEX	PART NUMBER	DESCRIPTION	QTY
1	1475099	BRACKET - PCB DISPLAY	1
2	9989685	PCB ASSEMBLY - DISPLAY	1
3	1575020	INSERT - INSTR - BILLS - ENGLISH (WITH BILL VALIDATOR OPTION) (U.S.)	1
	1575013	INSERT - INSTR - COINS ONLY - ENG (U.K.)	
	1575049	INSERT - INSTR - LOWER - UK - COINS (U.K.)	
	1572015	INSERT - INSTRUCTIONS - FRENCH	
	1672027	INSERT - INSTRUCTIONS - LOWER - EUROCOIN (W/NO BILL VALIDATOR OPTION)	
	1572014	INSERT - INSTRUCTIONS - GERMAN	
	1675003	LOWER INSERT - INSTRUCTION - CHILE	
4	1575048	PLATE - INSERT BACKING	OPT.
5	1475026	BUTTON - COIN RETURN	1
6	1475072	SHAFT - RETURN BUTTON	1
7	1127808	SPRING - SHELF RESET	1
8	1571079	BRACKET - COIN RETURN BUTTON	1
9	1575003	COIN CHUTE ASSEMBLY	1
10	6335002X	SERVICE KEYPAD ASSEMBLY	1
	6335005	SERVICE KEYPAD ASSEMBLY - SPANISH	

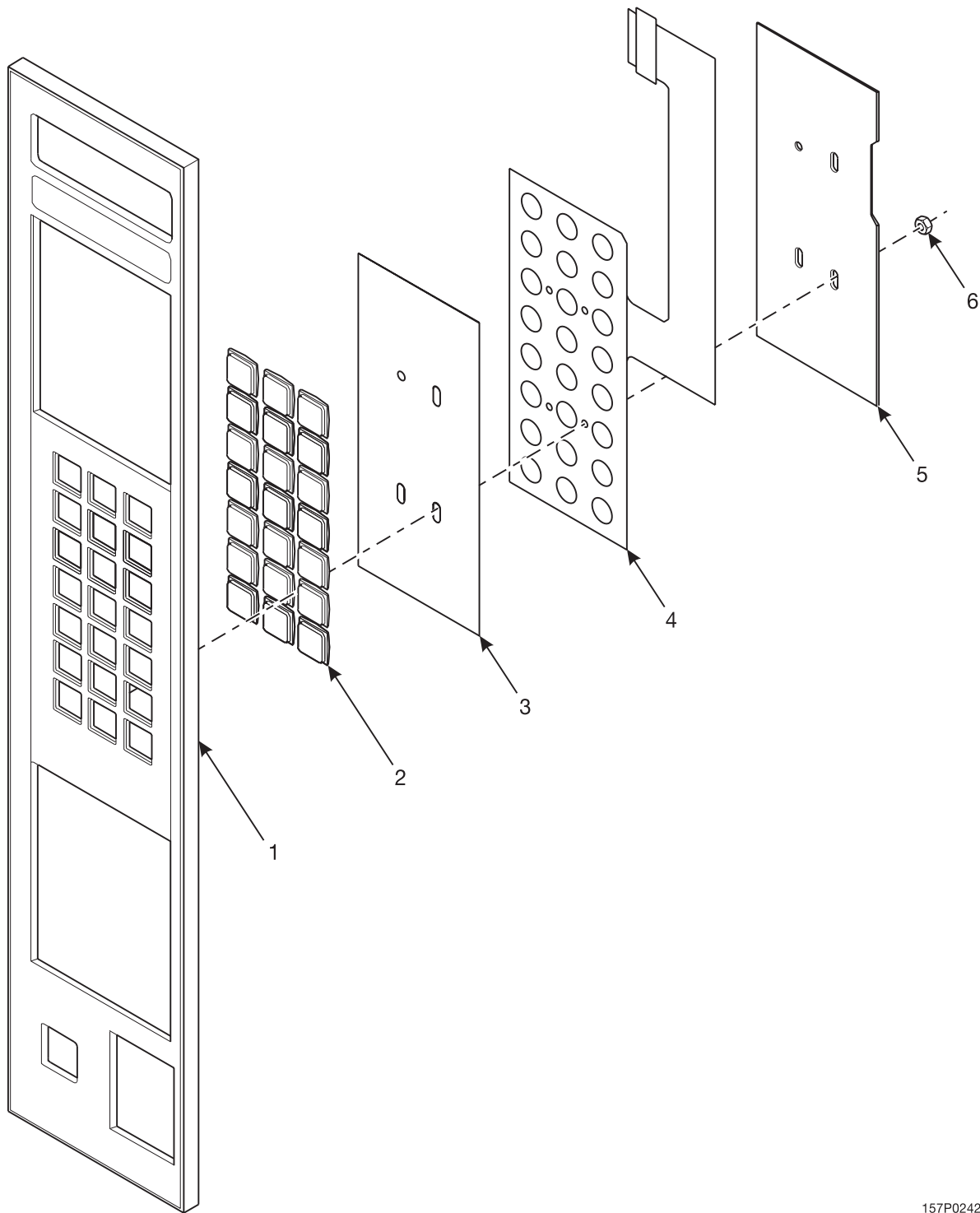


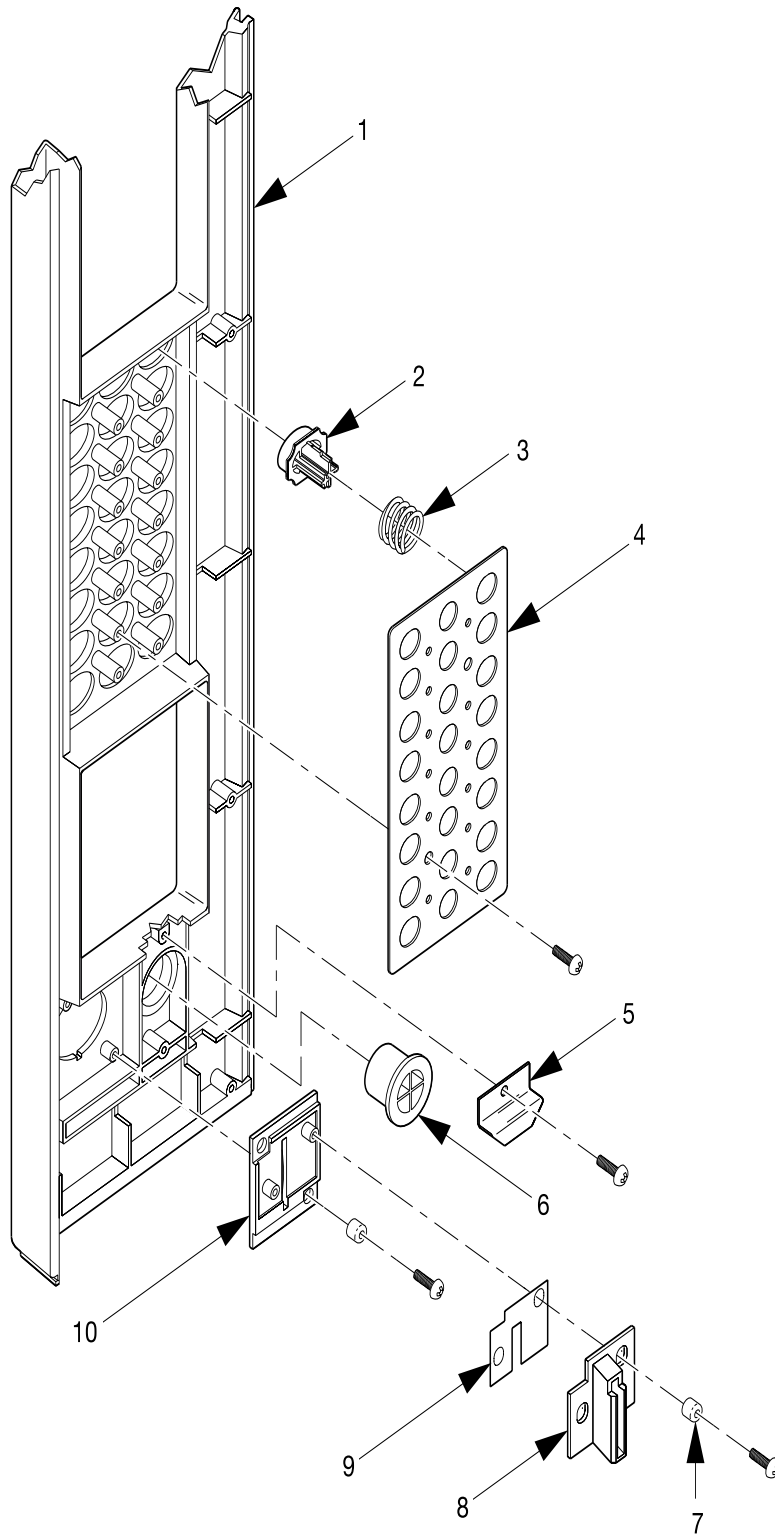
Figure 10. Monetary Panel Assembly (Part 3 of 4)

157P0242

Snack / Refreshment Center 2 Parts Manual

TABLE 9. MONETARY PANEL ASSEMBLY (PART 3 OF 4)

INDEX	PART NUMBER	DESCRIPTION	QTY
1	1575098	FACEPLATE ASSEMBLY (WITH COIN OPTION)	1
	1575099	FACEPLATE ASSEMBLY (NO COIN OPTION)	
-	1575001	SELECTION PANEL (WITH COIN OPTION)	1
	1575043	SELECTION ASSEMBLY (NO COIN OPTION)	
2	1472251	LENS - PUSH BUTTON	21
3	1575010	LETTER SHEET - SELECT SWITCH	1
4	9984630	MEMBRANE SWITCH ASSEMBLY - SELECT	1
5	1575091	PLATE - SELECT SWITCH - BACK UP	1
6	1475089	NUT	4



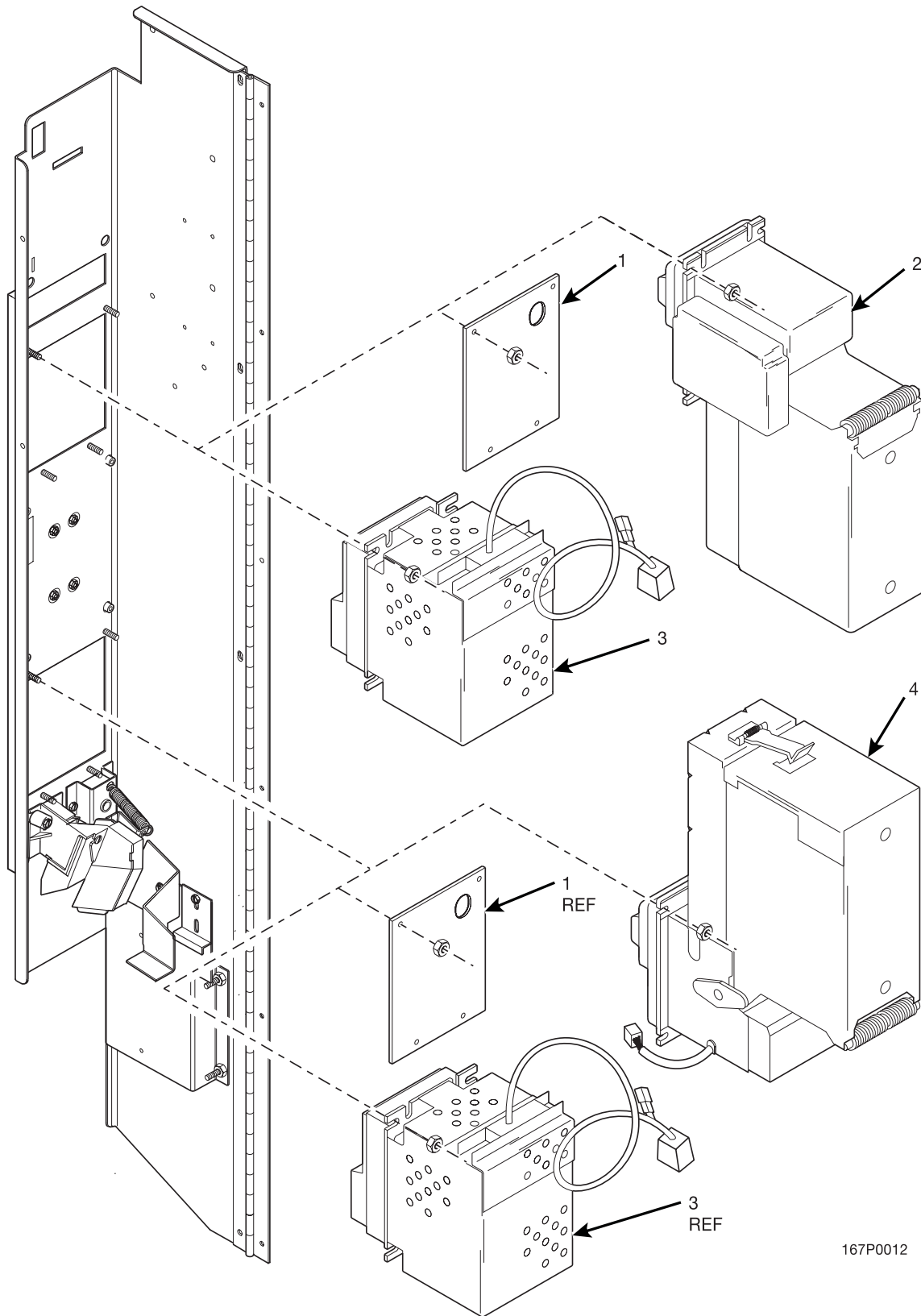
363p023C

Figure 11. Monetary Panel Assembly (Part 4 of 4) - Millennium Styling

Snack / Refreshment Center 2 Parts Manual

TABLE 10. MONETARY PANEL ASSEMBLY (PART 4 OF 4) - MILLENNIA STYLING

INDEX	PART NUMBER	DESCRIPTION	QTY.
1	1572213	R.H. TRIM - UPPER - "A21"	1
2	1572212	ARRAY - PUSH BUTTON SELECTION	1
3	1572224	SPRING - PUSH BUTTON	2
4	1572223	PLATE - STOP BUTTONS	1
5	1572292	RETAINER - RETURN BUTTON	1
6	1572210	COIN RETURN BUTTON - "A-2"	1
7	2302053	SPACER CUP	4
8	1572323	EXTENSION - COIN INSERT	1
9	1472222	COIN BLOCK	1
10	1572209	COIN INSERT - "A-1"	1



167P0012

Figure 12. Card Reader and Bill Validator Combinations

Snack / Refreshment Center 2 Parts Manual

TABLE 11. CARD READER AND BILL VALIDATOR COMBINATIONS

INDEX	PART NUMBER	DESCRIPTION	QTY
	-	MONETARY PANEL WELD ASSEMBLY (REF)	1
1	1575048	PLATE - INSERT BACKING	1
2	-	DOWNSTACK BILL VALIDATOR	OPT
3	-	DEBIT CARD READER	OPT
4	-	UPSTACK BILL VALIDATOR	OPT

TABLE 11 A. MONETARY LOCATION OPTIONS

MONETARY CAPABILITY	MONETARY PANEL LOCATION		WITH COIN?
	UPPER	LOWER	
COIN - VAL - CARD	CARD READER	UPSTACK VALIDATOR	YES
COIN - VAL - CARD	DOWNSTACK VALIDATOR	CARD READER	YES
COIN - VAL	INSERT INSTRUCTIONS BACK-UP PLATE (1575048)	UPSTACK VALIDATOR	YES
COIN - VAL	DOWNSTACK VALIDATOR	INSERT INSTRUCTIONS BACK-UP PLATE (1575048)	YES
COIN - CARD	INSERT INSTRUCTIONS BACK-UP PLATE (1575048)	CARD READER	YES
COIN - CARD	CARD READER	INSERT INSTRUCTIONS BACK-UP PLATE (1575048)	YES
VAL - CARD	DOWNSTACK VALIDATOR	CARD READER	NO
VAL - CARD	CARD READER	DOWNSTACK VALIDATOR	NO
COIN ONLY	INSERT INSTRUCTIONS BACK-UP PLATE (1575048)	INSERT INSTRUCTIONS BACK-UP PLATE (1575048)	YES
VAL ONLY	INSERT INSTRUCTIONS BACK-UP PLATE (1575048)	UPSTACK VALIDATOR	NO
VAL ONLY	DOWNSTACK VALIDATOR	INSERT INSTRUCTIONS BACK-UP PLATE (1575048)	NO
CARD ONLY	CARD READER	INSERT INSTRUCTIONS BACK-UP PLATE (1575048)	NO
CARD ONLY	INSERT INSTRUCTIONS BACK-UP PLATE (1575048)	CARD READER	NO

NOTES:
ALL ITEMS ARE SECURED WITH FOUR NUTS (P/N 9900081).
SHADED ITEMS REPRESENT ALTERNATE CONFIGURATIONS

Snack / Refreshment Center 2 Parts Manual

TABLE 13 B. CARD READER OPTIONS

PART NUMBER	DESCRIPTION
1475107	DEBITEK # VIS-MM-NAT SYSTEM III
1575050	BRACKET - DEBITEK CONTROLLER (NO COIN OPTION)
1575052	BRACKET - DEBITEK CONTROLLER (WITH COIN OPTION)

TABLE 13 C. BILL VALIDATOR OPTIONS

PART NUMBER	DESCRIPTION	HARNESS PART NUMBER
5900198	VALIDATOR - MARS - S2000 - VN2311 - U5E	1579005
3152444	VALIDATOR - MARS - VFM1 - S1 - U4C -CNSMT	
5900182	VALIDATOR - COINCO - BA305A	1579028
5900193	VALIDATOR - MARS - S2000 - VN2511 - U5E -CN5	
5900233	VALIDATOR - CONLUX MKA 2152-12B 120V	
3152391	VALIDATOR - MARS VFM3 - S1 - U4C -CNSMT	
5900248	VALIDATOR - MARS AE 2611 - U5E SERIAL	
5900205	VALIDATOR - MARS - VN2512-U5E - 24V	1579032 (HAR- NESS) 9989718 (JUMPER)
5900221	VALIDATOR - COINCO - BA32SA - 24V	
5900234	VALIDATOR - CONLUX - 2162 - 24V - 300	
1475053	VALIDATOR - MAKA - NB - 1KB - 400 WITH MASK "K" INSTALLED	1579006
5900247	VALIDATOR - MARS AE 2612 - U5M - MDB	-
5900210	VALIDATOR - MARS - VN2512 - USM/500 -MDB	-
5900234	VALIDATOR - COINLUX - 2162 - 24V - 300	1579050
5900283	VAL-COINCO - MAGPRO - 32R	-
5900284	VAL-COINCO-MAGPRO-30SA	1579034
5900285	VAL-COINCO-MAGPRO-32SA	
5900287	VAL-COINCO-MAGPRO-MAG50SA	
5900182	VALIDATOR - COINCO - BA 30SA	

Snack / Refreshment Center 2 Parts Manual

TABLE 11 D. COIN MECHANISM OPTIONS

PART NUMBER	DESCRIPTION
5900116	MARS TRC6000 COIN UNIT
5307321	COINTRON 3000 - US COIN VAL
5900096	COINCO 9340L COIN UNIT
5900112	MARS MC5000 COIN UNIT
6400002	COIN CHANGER - MARS #TRC 6010XV
6000003	COIN CHANGER - COINCO # 9302LF-24
5900094	COINCO 9300L COIN UNIT
5900192	COIN UNIT - COINLUX USLX00401F
5900213	COIN UNIT - COINCO - 9302 - GX - MDB
5900209	COIN UNIT - CONLUX - USLZ - 001 - MDB
5900214	COIN UNIT - MARS - VN 4510 - MDB
5900216	COIN UNIT - MARS - VN 4000, 110V
5900217	COIN UNIT - MARS - VN 4010 XV - 24V
5900192	COIN UNIT - CONLUX - USLX 00401F
5900237	COIN UNIT - CONLUX - USLX - 001 120V
5900222	COIN UNIT - MARS TRC6000 - ASV

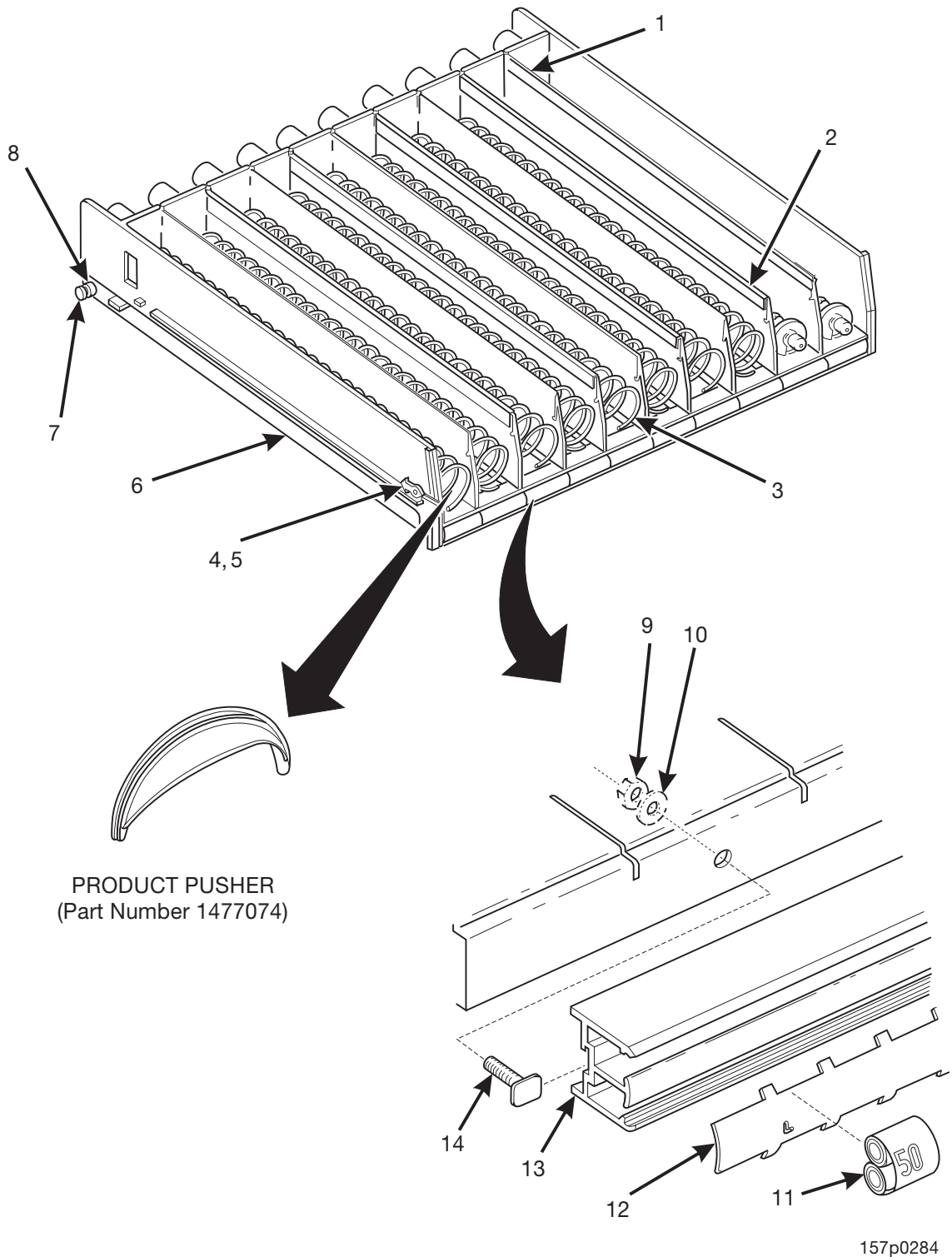
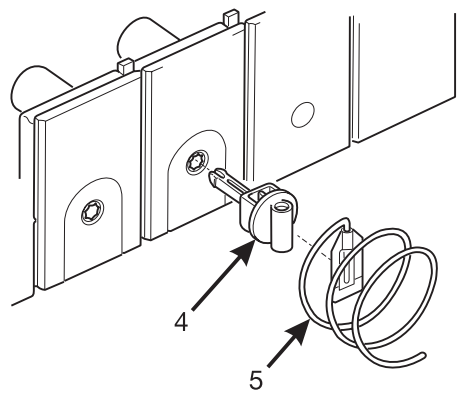
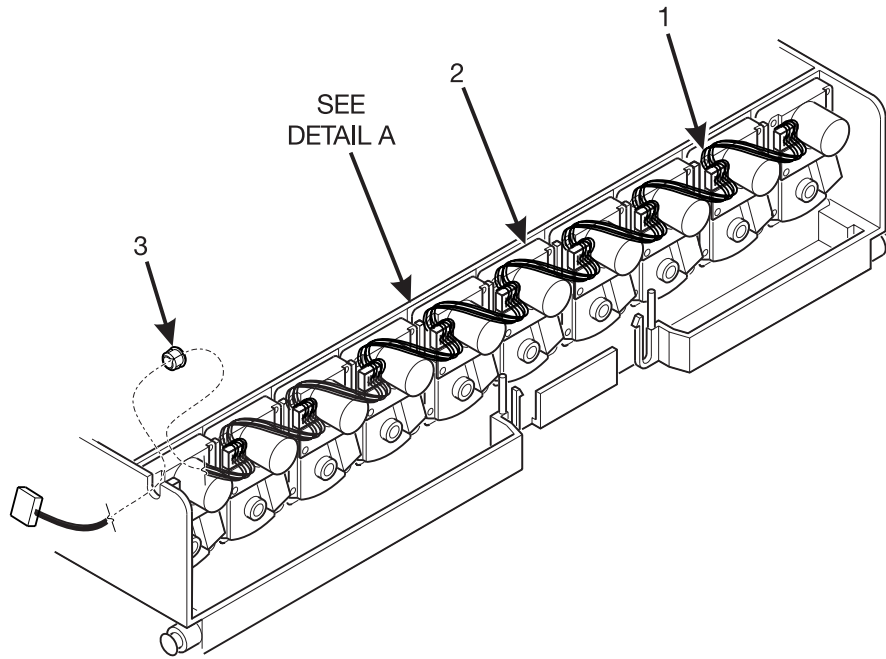


Figure 13. Candy Tray Assembly (Part 1 of 2)

Snack / Refreshment Center 2 Parts Manual

TABLE 12. CANDY TRAY ASSEMBLY (PART 1 OF 2)

INDEX	PART NUMBER	DESCRIPTION	QTY
-	1597002	TRAY ASSEMBLY - 10 CANDY (SHOWN) (167, 764)	1
-	1607002	TRAY ASSEMBLY - 8 CANDY (NOW SHOWN) (168, 765, 784, 787)	1
1	1477175	WALL - TRAY (10 CANDY)	9
	1477175	WALL - TRAY (8 CANDY)	7
2	1677193	SPACER - ADJUSTABLE (10 CANDY)	4
	1677193	SPACER - ADJUSTABLE (8 CANDY)	3
3	-	SPIRAL (SEE TABLE 1 F FOR DETAILS)	-
4	1477017	LATCH	2
5	5201267	PUSH-ON RETAINER - .312	2
6	1577040	TRAY - 5 & 10 DIVISION	1
	1587003	TRAY - 4 & 8 DIVISION	
7	1477097	AXLE - TRAY ROLLER	2
8	1477148	ROLLER - TRAY	2
9	9900030	NUT #8-32 SELF-LOCKING (10 CANDY)	3
		NUT #8-32 SELF-LOCKING (8 CANDY)	2
10	5560113	WASHER - HOPPER RELEASE (10 CANDY)	3
		WASHER - HOPPER RELEASE (8 CANDY)	2
11	-	PRICE ROLLS (10 CANDY)	10
	-	PRICE ROLLS (8 CANDY)	8
12	1477157	HOLDER - PRICE & SELECTION (10 CANDY)	1
	1487016	HOLDER - PRICE & SELECTION (8 CANDY)	
13	1477134	RAIL - PRICE & SELECTION (10 CANDY)	1
	1487009	RAIL - PRICE & SELECTION (8 CANDY)	
14	2222031	TEE BOLT - TRIM (10 CANDY)	3
		TEE BOLT - TRIM (8 CANDY)	2



159PO025

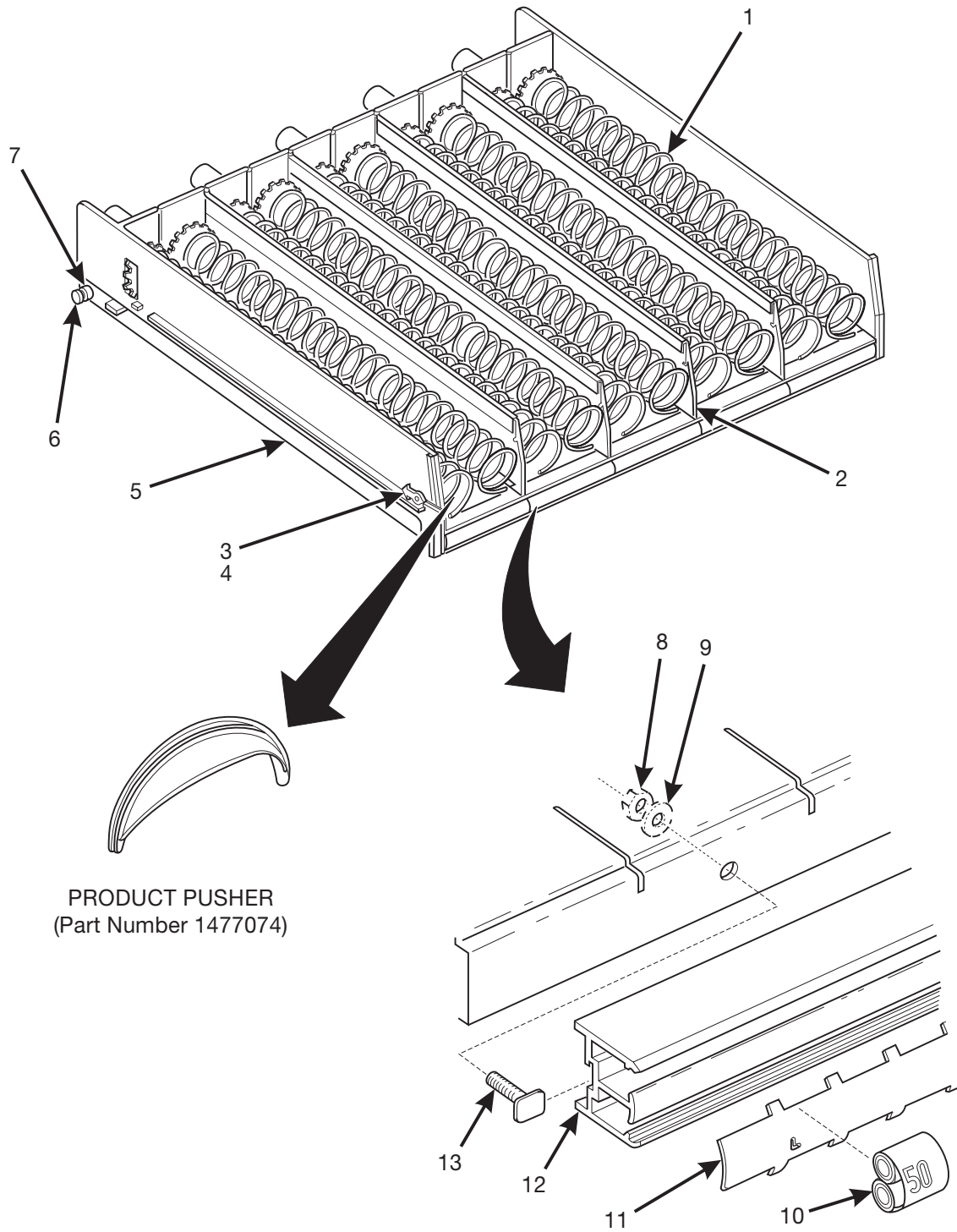
DETAIL A

Figure 14. Candy Tray Assembly (Part 2 of 2)

Snack / Refreshment Center 2 Parts Manual

TABLE 13. CANDY TRAY ASSEMBLY (PART 2 OF 2)

INDEX	PART NUMBER	DESCRIPTION	QTY
1	1599019	HARNESS - 10 MOTOR TRAY (167, 764)	1
	1599018	HARNESS - 8 MOTOR TRAY (168, 765, 784, 787)	
2	1577035	MOTOR & PCB ASSEMBLY (10 MOTOR TRAY)	10
		MOTOR & PCB ASSEMBLY (8 MOTOR TRAY)	8
3	3502097	BUSHING	1
4	1477113	COUPLING - SPIRAL (10 MOTOR TRAY)	10
		COUPLING - SPIRAL (8 MOTOR TRAY)	8
5	-	SPIRALS (SEE FIGURE 19 B FOR DETAILS)	-



159P0034

Figure 15. Snack Tray Assembly (Part 1 of 2)

Snack / Refreshment Center 2 Parts Manual

TABLE 16. SNACK TRAY ASSEMBLY (PART 1 OF 2)

INDEX	PART NUMBER	DESCRIPTION	QTY
-	1597001	TRAY ASSEMBLY - 5 SNACK (167, 764)	1
-	1607001	TRAY ASSEMBLY - 4 SNACK (168, 765, 784, 787)	1
1	-	SPIRAL (SEE FIGURE 21 B FOR DETAILS)	-
2	1477175	WALL - TRAY (5 SNACK)	4
		WALL - TRAY (4 SNACK)	3
3	1477017	LATCH	2
4	5201267	PUSH ON RETAINER - .312	2
5	1577040	TRAY - 5 & 10 DIVISION (5 SNACK)	1
	1587003	TRAY - 4 & 8 DIVISION (4 SNACK)	
6	1477097	AXLE - TRAY ROLLER	2
7	1477148	ROLLER - TRAY	2
8	9900030	NUT #8-32 SELF - LOCKING (5 SNACK)	3
		NUT #8-32 SELF - LOCKING (4 SNACK)	2
9	5560113	WASHER - HOPPER RELEASE (5 SNACK)	3
		WASHER - HOPPER RELEASE (4 SNACK)	2
10	-	PRICE ROLLS (5 SNACK) (SEE TABLE XX)	5
	-	PRICE ROLLS (4 SNACK) (SEE TABLE XX)	4
11	1477157	HOLDER - PRICE & SELECTION (5 SNACK)	1
	1487016	HOLDER - PRICE & SELECTION (4 SNACK)	
12	1477134	RAIL - PRICE & SELECTION (5 SNACK)	1
	1487009	RAIL - PRICE & SELECTION (4 SNACK)	
13	2222031	TEE BOLT - TRIM (5 SNACK)	3
		TEE BOLT - TRIM (4 SNACK)	2

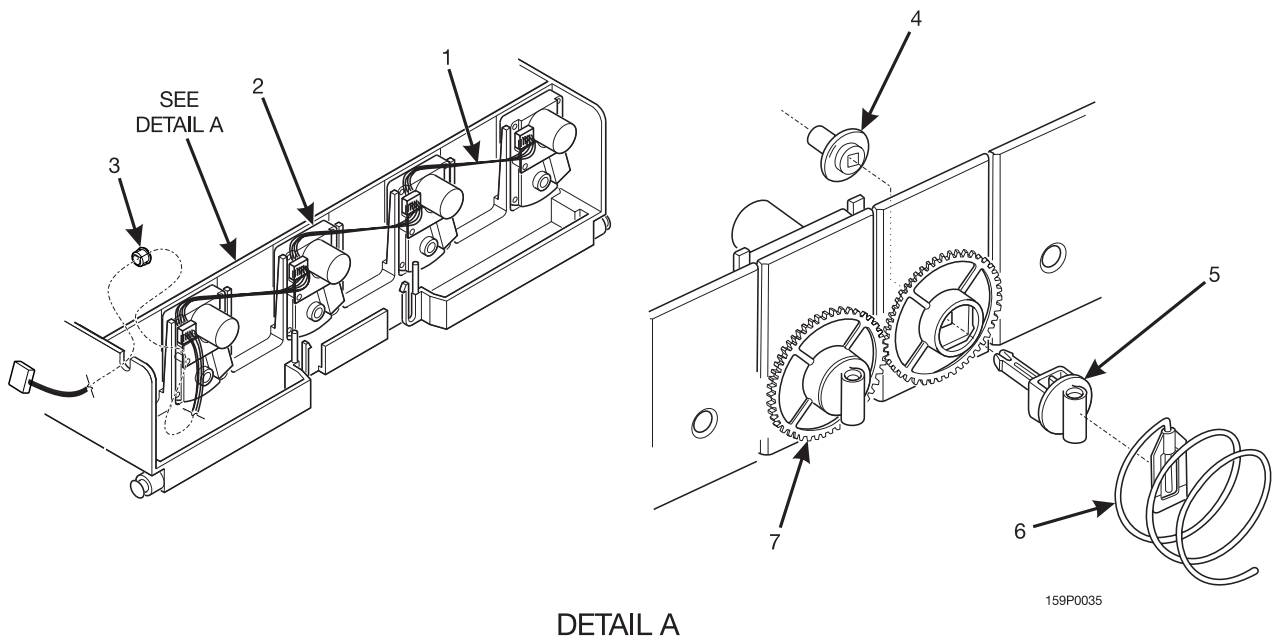


Figure 16. Snack Tray Assembly (Part 2 of 2)

Snack / Refreshment Center 2 Parts Manual

TABLE 15. SNACK TRAY ASSEMBLY (PART 2 OF 2)

INDEX	PART NUMBER	DESCRIPTION	QTY
1	1599017	HARNESS - 5 MOTOR TRAY (167, 764)	1
	1599016	HARNESS - 4 MOTOR TRAY (168, 765, 784, 787)	
2	1577035	MOTOR & PCB ASSEMBLY (5 MOTOR TRAY)	5
		MOTOR & PCB ASSEMBLY (4 MOTOR TRAY)	4
3	3502097	BUSHING	1
4	1477022	BEARING - COUPLER (5 MOTOR TRAY)	5
		BEARING - COUPLER (4 MOTOR TRAY)	4
5	1477113	COUPLING - SPIRAL (5 MOTOR TRAY)	10
		COUPLING - SPIRAL (4 MOTOR TRAY)	8
6	-	SPIRALS (SEE TABLE XX FOR DETAILS)	-
7	1477020	GEAR - TRAY (5 MOTOR TRAY)	10
		GEAR - TRAY (4 MOTOR TRAY)	8

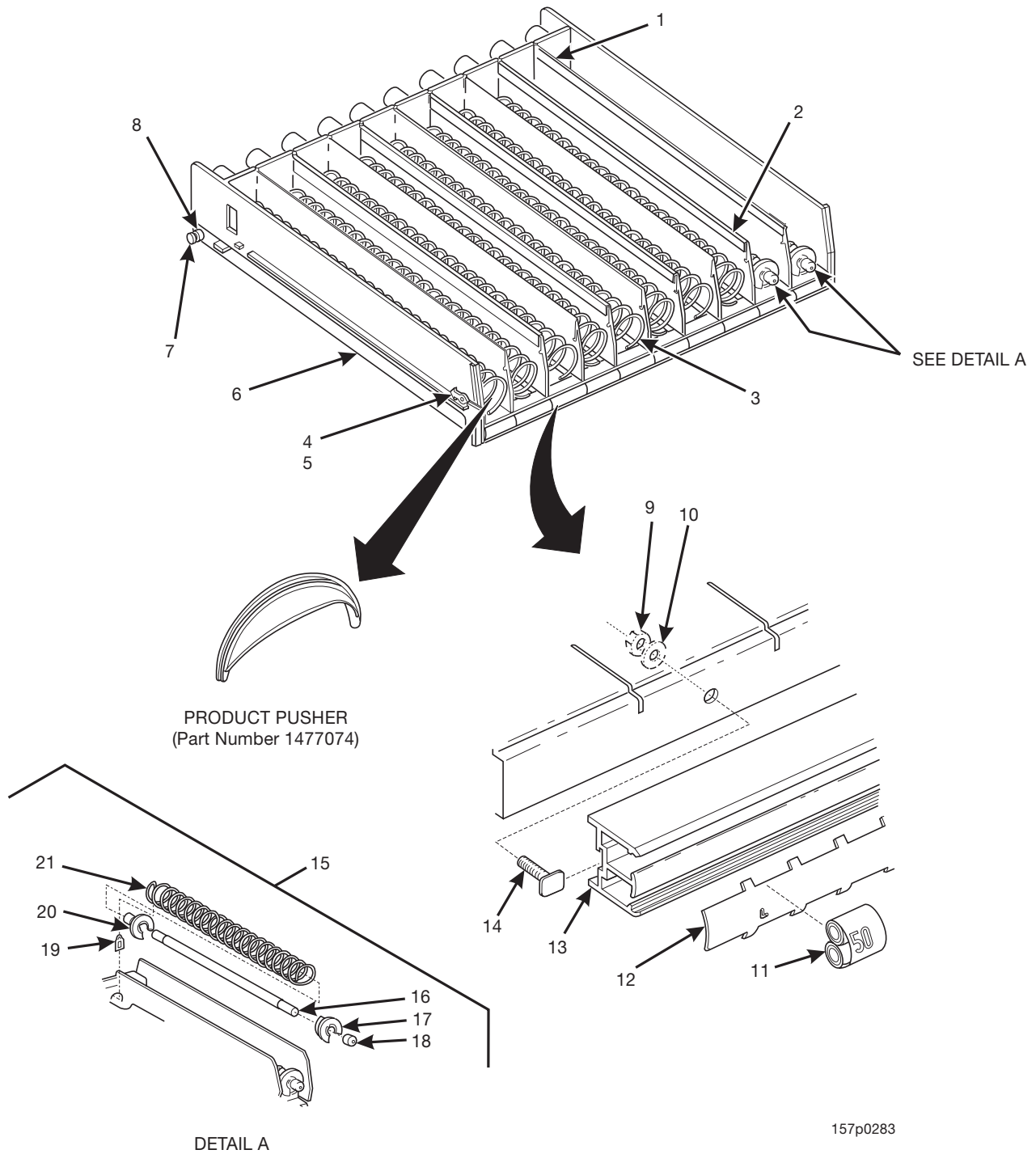
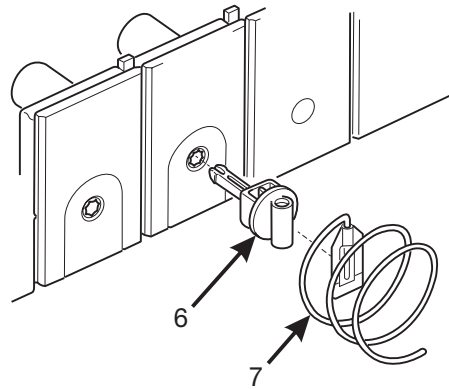
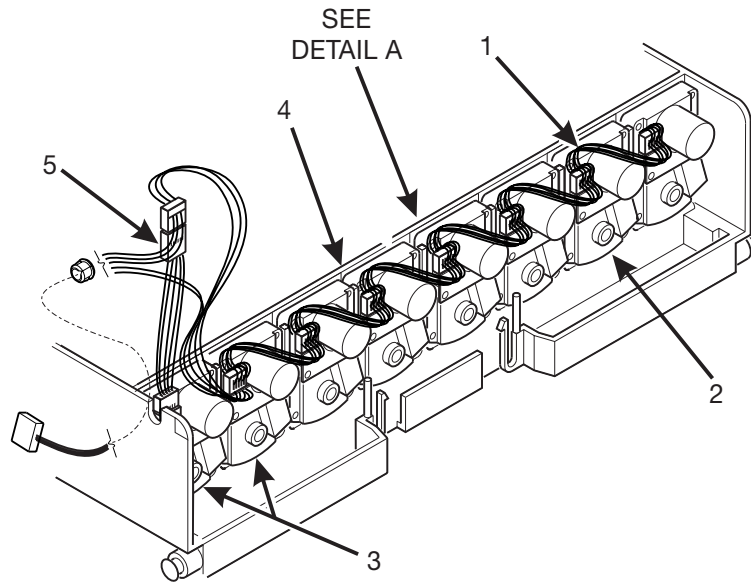


Figure 17. Gum and Mint Tray Assembly (Part 1 of 2)

Snack / Refreshment Center 2 Parts Manual

TABLE 16. GUM AND MINT TRAY ASSEMBLY (PART 1 OF 2)

INDEX	PART NUMBER	DESCRIPTION	QTY
-	1597003	TRAY ASSEMBLY - 8 CANDY - 2 GUM (167, 764) (SHOWN)	1
	1607003	TRAY ASSEMBLY - 6 CANDY - 2 GUM (168, 765, 784, 787) (NOT SHOWN)	
	1677001	TRAY ASSEMBLY - 9 CANDY - 1 GUM (167) (NOT SHOWN)	
	1587005	TRAY ASSEMBLY - 7 CANDY - 1 GUM (168) (NOT SHOWN)	
1	1477175	WALL - TRAY (8 CANDY - 2 GUM) (9 CANDY - 1 GUM) (9 CANDY - 1 GUM)	9
		WALL - TRAY (6 CANDY - 2 GUM) (7 CANDY - 1 GUM) (7 CANDY - 1 GUM)	7
2	1677193	SPACER - ADJUSTABLE (8 CANDY - 2 GUM)	4
		SPACER - ADJUSTABLE (6 CANDY - 2 GUM) (7 CANDY - 1 GUM)	3
3	-	SPIRAL (SEE TABLE 1 F FOR DETAILS)	-
4	1477017	LATCH	2
5	5201267	PUSH ON RETAINER - .312	2
6	1577040	TRAY - 5 & 10 DIVISION (8 CANDY - 2 GUM) (9 CANDY - 1 GUM)	1
	1587003	TRAY - 4 & 8 DIVISION (6 CANDY - 2 GUM) (7 CANDY - 1 GUM)	2
7	1477097	AXLE - TRAY ROLLER	2
8	1477148	ROLLER - TRAY	2
9	9900030	NUT #8-32 SELF-LOCKING (8 CANDY - 2 GUM) (9 CANDY - 1 GUM)	3
		NUT #8-32 SELF-LOCKING (6 CANDY - 2 GUM) (7 CANDY - 1 GUM)	2
10	5560113	WASHER - HOPPER RELEASE (8 CANDY - 2 GUM) (9 CANDY - 1 GUM)	3
		WASHER - HOPPER RELEASE (6 CANDY - 2 GUM) (7 CANDY - 1 GUM)	2
11	-	PRICE ROLLS (8 CANDY - 2 GUM) (9 CANDY - 1 GUM)	10
		PRICE ROLLS (6 CANDY - 2 GUM) (7 CANDY - 1 GUM)	8
12	1477157	HOLDER - PRICE & SELECTION (8 CANDY - 2 GUM) (9 CANDY - 1 GUM)	1
	1487016	HOLDER - PRICE & SELECTION (6 CANDY - 2 GUM) (7 CANDY - 1 GUM)	
13	1477134	RAIL - PRICE & SELECTION (8 CANDY - 2 GUM) (9 CANDY - 1 GUM)	1
	1487009	RAIL - PRICE & SELECTION (6 CANDY - 2 GUM) (7 CANDY - 1 GUM)	
14	2222031	TEE BOLT - TRIM (8 CANDY - 2 GUM) (9 CANDY - 1 GUM)	3
		TEE BOLT - TRIM (6 CANDY - 2 GUM) (7 CANDY - 1 GUM)	2
15	1467127	SPIRAL ASSEMBLY - DUAL GUM & MINT (INCLUDES INDEX NUMBERS 16 - 21)	2
16	1467131	SPIRAL INSERT ASSEMBLY	1
17	1467129	DISC - SPIRAL INSERT	1
18	1467136	CAP - SPIRAL INSERT	2
19	1467130	DISC - SPIRAL INSERT	1
20	1467137	RETAINER - SPIRAL - ORANGE	1
21	1467128	SPIRAL - 2.65 DIAMETER - DUAL GUM & MINT	1



DETAIL A

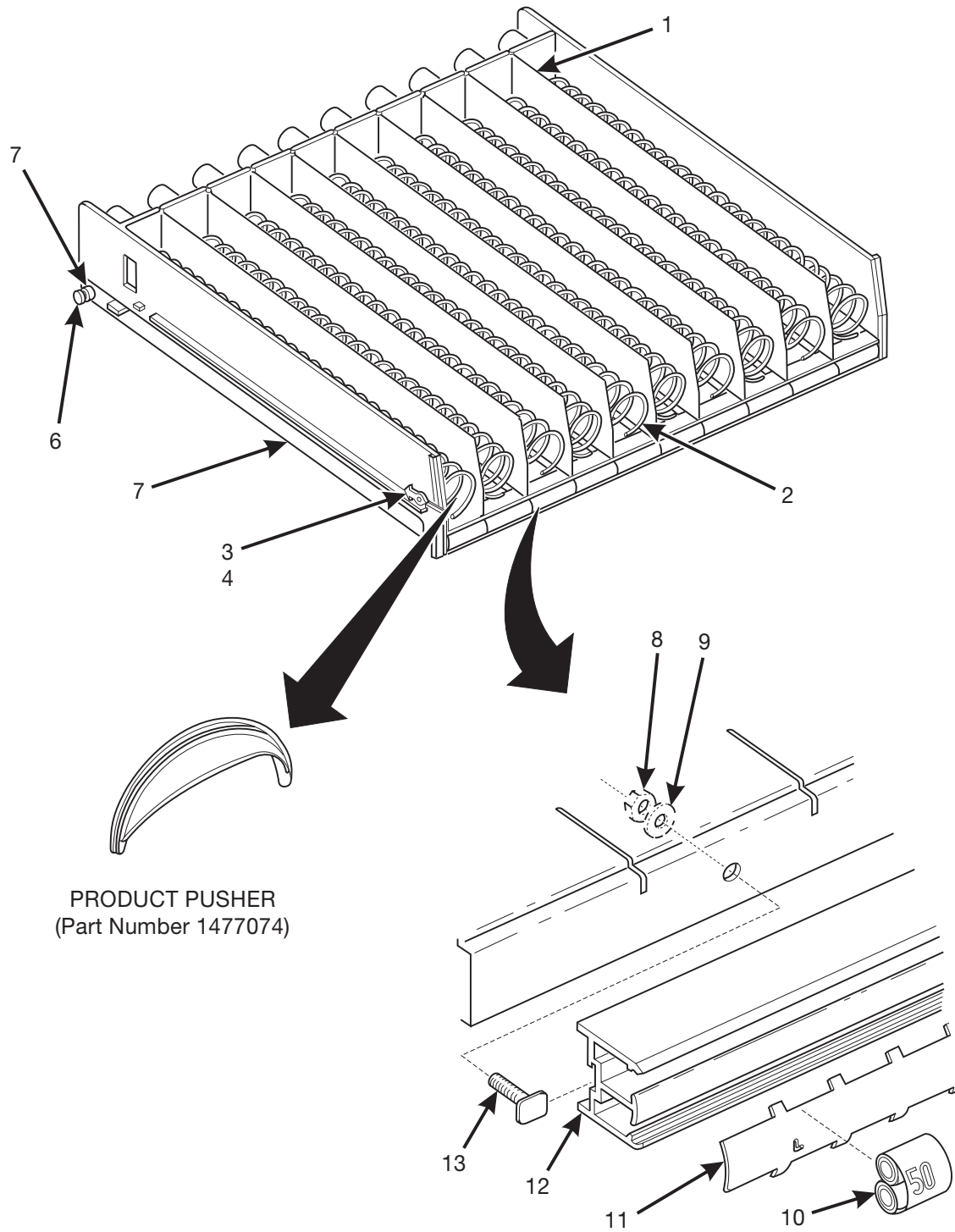
159P0038

Figure 18. Gum and Mint Tray Assembly (Part 2 of 2)

Snack / Refreshment Center 2 Parts Manual

TABLE 17. GUM AND MINT TRAY ASSEMBLY (PART 2 OF 2)

INDEX	PART NUMBER	DESCRIPTION	QTY
1	1599019	HARNESS - 10 MOTOR TRAY (167, 267, 764)	1
	1599018	HARNESS - 8 MOTOR TRAY (168, 268, 765, 784, 787)	
2	1577035	MOTOR & PCB ASSEMBLY (10 MOTOR TRAY)	8
		MOTOR & PCB ASSEMBLY (8 MOTOR TRAY)	6
3	1477114	MOTOR & PCB ASSEMBLY (ALL MODELS)	2
4	3502097	BUSHING	1
5	1477156	JUMPER ASSEMBLY - MOTOR REVERSING	1
6	1477113	COUPLING - SPIRAL (10 MOTOR TRAY)	10
		COUPLING - SPIRAL (8 MOTOR TRAY)	8
7	-	SPIRAL (SEE FIGURE 19 B FOR DETAILS)	-



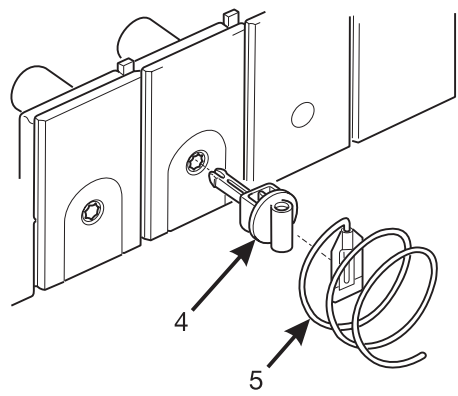
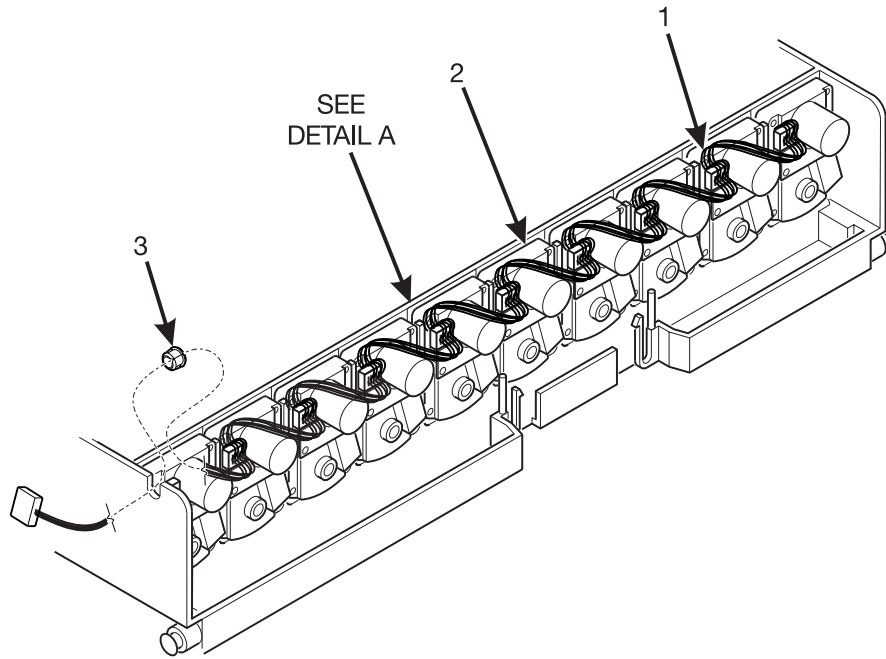
159p0033

Figure 19. Cigarette Tray Assembly (Part 1 of 2)

Snack / Refreshment Center 2 Parts Manual

TABLE 18. CIGARETTE TRAY ASSEMBLY (PART 1 OF 2)

INDEX	PART NUMBER	DESCRIPTION	QTY
-	1587036	TRAY ASSEMBLY - 10 CIGARETTE	1
	1587006	TRAY ASSEMBLY - 8 CIGARETTE	
1	1477175	WALL - TRAY (267)	9
	1477175	WALL - TRAY (268)	7
2	-	SPIRAL (SEE FIGURE 19 B FOR DETAILS)	-
3	1477017	LATCH	2
4	5201267	PUSH ON RETAINER - .312	2
5	1577040	TRAY - 5/10 DIVISION	1
	1587003	TRAY - 4/8 DIVISION	
6	1477097	AXLE - TRAY ROLLER	2
7	1477148	ROLLER - TRAY	2
8	9900030	NUT - #8-32 SELF-LOCKING	2
9	5560113	WASHER - HOPPER RELEASE (267)	3
	5560113	WASHER - HOPPER RELEASE (268)	2
10	-	PRICE ROLLS (10 CIGARETTE)	-
		PRICE ROLLS (8 CIGARETTE)	
11	1477157	HOLDER - PRICE & SELECTION	1
	1487016	HOLDER - PRICE & SELECTION	
12	1477134	RAIL - PRICE & SELECTION	1
	1487009	RAIL - PRICE & SELECTION	
13	2222031	TEE BOLT - TRIM	3



159PO025

DETAIL A

Figure 20. Cigarette Tray Assembly (Part 2 of 2)

Snack / Refreshment Center 2 Parts Manual

TABLE 21. CIGARETTE TRAY ASSEMBLY (PART 2 OF 2)

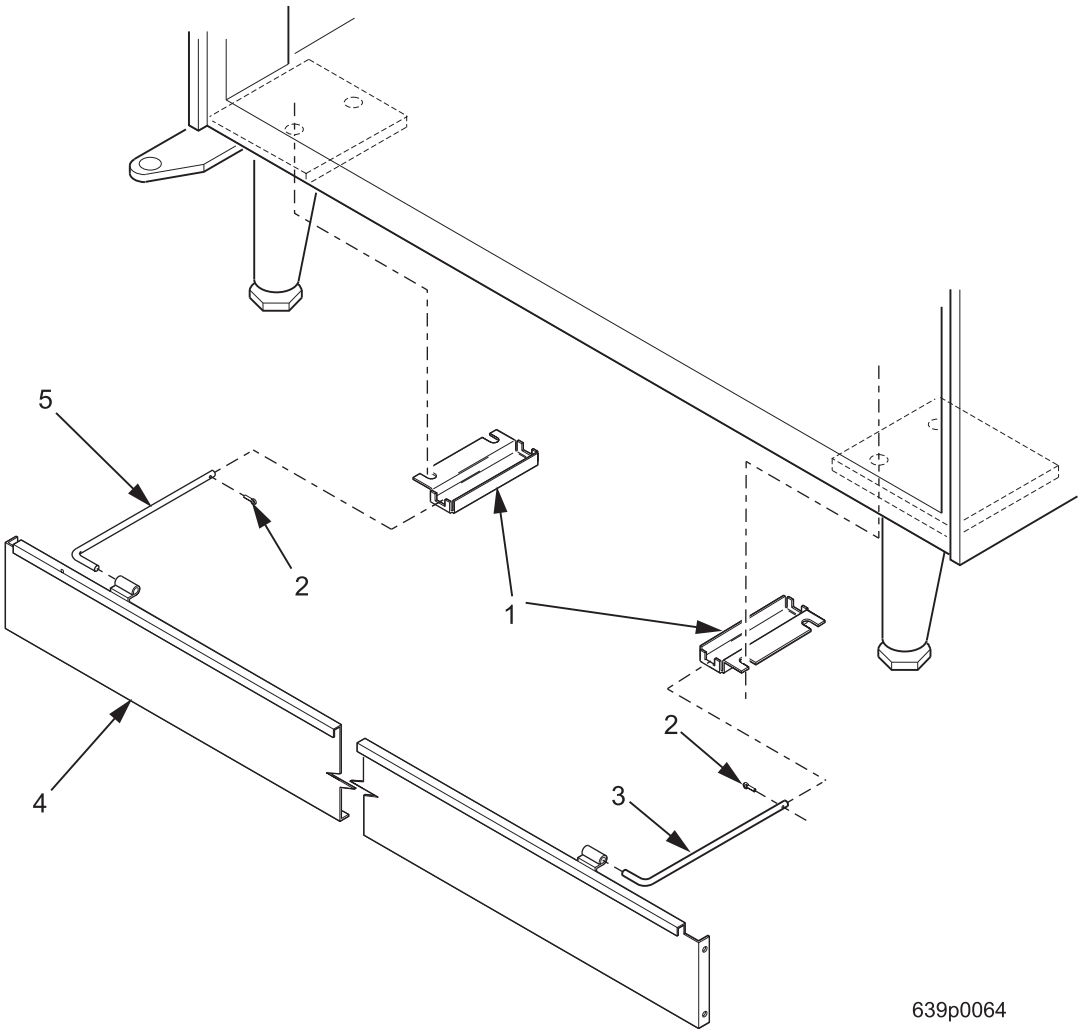
INDEX	PART NUMBER	DESCRIPTION	QTY
1	1599018	HARNESS - 8 MOTOR (268)	1
1	1599019	HARNESS - 10 MOTOR (267)	1
2	1577035	MOTOR & PC BOARD ASSEMBLY (268)	8
2	1577035	MOTOR & PC BOARD ASSEMBLY (267)	10
3	3502907	BUSHING	1
4	1477113	COUPLING - SPIRAL (268)	8
4	1477113	COUPLING - SPIRAL (267)	10
5	-	SPIRAL (SEE FIGURE 21 B FOR DETAILS)	-

TABLE 21 A. PRICE ROLLS (FOR TRAYS)

PART NUMBER	DESCRIPTION
1477014	ROLL - PRICE - CENTS
1477015	ROLL - PRICE - DOLLARS
1472273	PRICE ROLL - U.K. - 1L/10L, 40P/95P
1472274	PRICE ROLL - U.K. - 1L/10L, 8P/35P
1477123	PRICE ROLL - 0 TO 25 - U.K./GER/FR

TABLE 21 B. SPIRAL OPTIONS

		LEFT HAND		RIGHT HAND		
SPIRAL COUNT	RETAINER COLOR	ASSEMBLY	SPIRAL	ASSEMBLY	SPIRAL	RETAINER
5	-	-	1477178	-	1477179	-
6	PURPLE	1477103	1477102	1477105	1477104	1477107
8	-	-	1677190	-	1677189	-
9	GRAY	1477152	1477153	1477149	1477150	1477155
10	-	-	1677188	-	1677187	-
11	BLUE	1477023	1477024	1477026	1477027	1457061
13	YELLOW	1477029	1477030	1477032	1477033	1457062
15	RED	1477035	1477036	1477038	1477039	1457063
17	BROWN	1477101	1477100	1477099	1477098	1477106
20	WHITE	1477041	1477042	1477044	1477045	1457064
25	GREEN	1477047	1477048	1477050	1477051	1457065
30	BLACK	1477053	1477054	1477056	1477057	1477073



639p0064

Figure 21. Base Plate Assembly (Standard Shown)

Snack / Refreshment Center 2 Parts Manual

TABLE 20. BASE PLATE ASSEMBLY (STANDARD SHOWN)

INDEX	PART NUMBER	DESCRIPTION	QTY
1	6231087	BRACKET - BASE PLATE	2
2	9900098	COTTER PIN, 3/32	2
3	1411194	SLIDE - BASE PLATE - RIGHT HAND	1
4	1581023	BASE PLATE ASSEMBLY - 32" (IMPERIAL CROWN & SIGNATURE STYLING) (168, 268, 765, 784, 787)	1
	2271408	BASE PLATE ASSEMBLY - 38" (IMPERIAL CROWN & SIGNATURE STYLING) (167, 267, 764)	
	1581051	BASE PLATE ASSEMBLY - 32" (MILLENNIA STYLING) (168, 268, 765, 784, 787)	
	1571161	BASE PLATE ASSEMBLY - 38" (MILLENNIA STYLING) (167, 267, 764)	
5	1411195	SLIDE - BASE PLATE - LEFT HAND	1

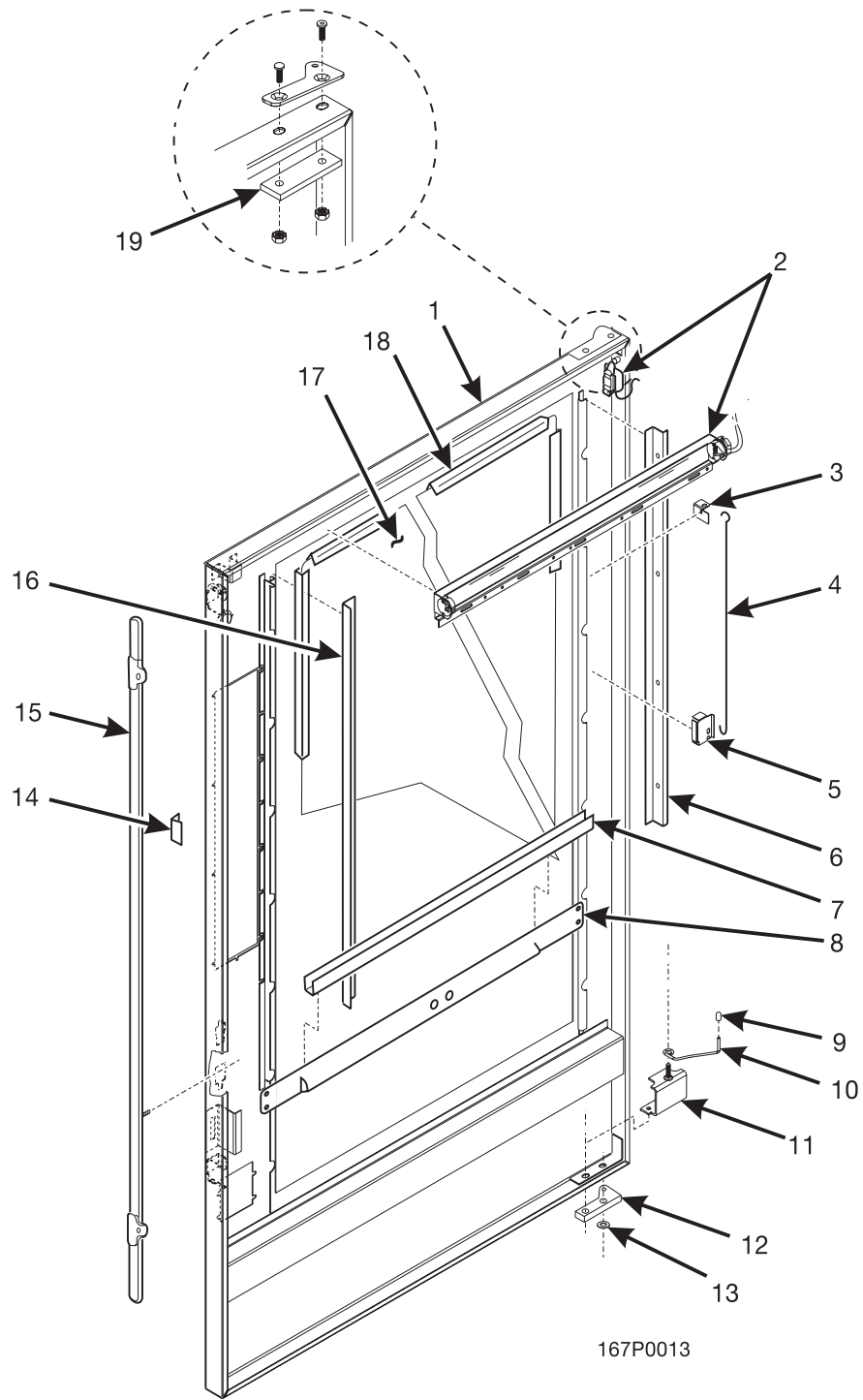


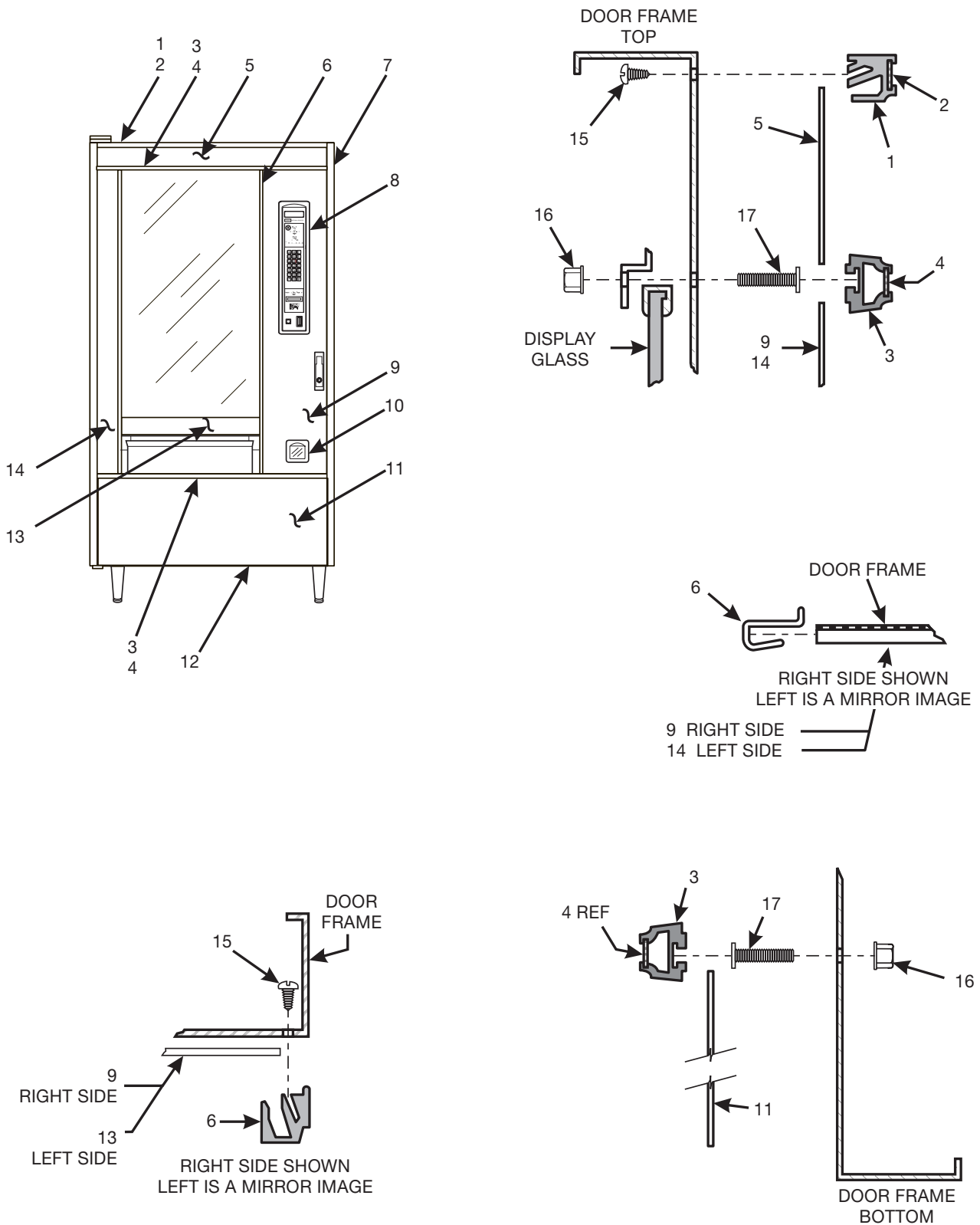
Figure 22. Door Assembly (Imperial Crown and Signature Styling)

Snack / Refreshment Center 2 Parts Manual

TABLE 22. DOOR ASSEMBLY (IMPERIAL CROWN AND SIGNATURE STYLING)

INDEX	PART NUMBER	DESCRIPTION	QTY
1	1572225	WELD ASSEMBLY - DOOR - NV BLACK (167, 267, 764)	1
	1582069	WELD ASSEMBLY - DOOR - NV BLACK (168, 268, 765, 784, 787)	
2	-	UPPER DOOR LIGHT ASSEMBLY 7 BALLAST (SEE FIGURE 30 FOR DETAILS)	1
3	1572028	RETAINER-ROD SUPPORT-COMMON	1
4	1479140	ROD - SUPPORT - GUM & MINT	1
5	1572027	SUPPORT - PROP ROD - COMMON	1
6	1572020	RETAINER - GLASS (167,168, 267, 268, 764, 765, 784, 787)	1
	4972107	RETAINER - GLASS W/ SIDE LIGHT (784, 787) (SEE FIGURE 25 FOR DETAILS)	
7	1472220	CHANNEL - GLASS - LOWER (167, 267, 764)	1
	1582073	CHANNEL - GLASS - LOWER (168, 268, 765, 784, 787)	
8	1472220	PANEL ASSEMBLY - GLASS - LOWER (167, 267, 764)	1
	4972043	PANEL ASSEMBLY - GLASS - LOWER (168, 268, 765, 784, 787)	
9	1571037	CAP - VINYL - .281 ID X .50 LONG	1
10	1572009	ROD - DOOR CHECK	1
11	1572007	WELD ASSEMBLY - DOOR CHECK	1
12	6232031	HINGE ASSEMBLY - DOOR - LOWER	1
13	4242145	BEARING - THRUST - LOWER HINGE	1
14	1472250	GUIDE - LOCK BAR	1
15	1472178	LOCK BAR ASSEMBLY	1
16	1472048	PLATE - GLASS RETAINING	1
-	1451097	SCREW (ATTACHING PART FOR INDEX # 21	7
17	1452059	GLASS - DISPLAY (167, 267, 764)	1
	1582075	GLASS - DISPLAY (168, 268, 765, 784, 787)	
18	6232092	EXTRUSION - GLASS CHANNEL - 112.28 IN. LONG (167, 267, 764)	1
	6232092	EXTRUSION - GLASS CHANNEL - 106.16 IN. LONG (168, 268, 765, 784, 787)	
19	6232028	PLATE ASSEMBLY - HINGE MOUNTING	1

Snack / Refreshment Center 2 Parts Manual



157P0279

Figure 23. Common Trim and Panel Components

Snack / Refreshment Center 2 Parts Manual

TABLE 22. COMMON TRIM AND PANEL COMPONENTS

INDEX	PART NUMBER	DESCRIPTION	QTY
1	1302484	TRIM - DOOR - TOP - CLEAR (IMPERIAL CROWN) (167, 267, 764)	1
	1452229	TRIM - DOOR - TOP - BLACK (SIGNATURE) (167, 267, 764)	
	1482110	TRIM - DOOR - TOP - CLEAR (IMPERIAL CROWN) (168, 268, 765, 784, 787)	
	1482127	TRIM - DOOR TOP - BLACK (SIGNATURE) 168, 268, 764, 784, 787)	
2	1302479	TRIM INSERT - BLACK (167, 267, 764)	1
	1482111	TRIM INSERT - BLACK (168, 268, 764, 784, 787)	1
3	1302478	TRIM - DOOR - HORIZONTAL - CLEAR (167, 267, 764)	1
	1482112	TRIM - DOOR - HORIZONTAL - CLEAR (168, 268, 764, 784, 787)	1
4	1302479	TRIM INSERT - BLACK (167, 267, 764)	1
	1482111	TRIM INSERT - BLACK (168, 268, 764, 784, 787)	
5	-	PANEL - TOP TRIM (MODELS 167, 267, 764) (SEE FIGURE 22 A FOR DETAILS)	1
	-	PANEL - TOP TRIM (MODELS 168, 268, 764, 765 & 787) (SEE FIGURE 22 B FOR DETAILS)	
6	1472190	TRIM - VERTICAL	2
7	1302409	TRIM - DOOR SIDE - CLEAR (IMPERIAL)	2
	1452203	TRIM - DOOR SIDE - BLACK (SIGNATURE)	
8	1575047	CASTING - MONETARY FRAME - BLACK	1
9	-	TRIM PANEL - RIGHT HAND (SEE FIGURE 22 C FOR DETAILS)	1
10	1572011	TRIM - COIN CUP - BLACK	1
11	-	TRIM PANEL - BOTTOM (MODELS 167, 267, 764) (SEE FIGURE 22 D FOR DETAILS)	1
	-	TRIM PANEL - BOTTOM (MODELS 168, 268, 764, 765 & 787) (SEE FIGURE 22 E FOR DETAILS)	
12	6232099	EDGE PROTECTOR - BOTTOM (167, 267, 764)	1
	1482003	EDGE PROTECTOR - BOTTOM (168, 268, 764, 784, 787)	
-	1451097	SCREW	5
-	6342038	PLUG (168, 268, 764, 784, 787)	1
13	1462081	TRIM - PANEL - GLASS LOWER (168, 268, 765, 784, 787)	1
	1452177	TRIM - PANEL - GLASS LOWER (167, 267, 764)	
14	-	TRIM PANEL - LEFT HAND (MODELS 167, 267, 764) (SEE FIGURE 22 F FOR DETAILS)	1
	-	TRIM PANEL - LEFT HAND (MODELS 168, 268, 764, 765 & 787) (SEE FIGURE 22 G FOR DETAILS)	
15	1302282	SCREW #6X3/8 RHS T/C	23
16	9900081	NUT #8-32 W/LW	14
17	2222110	T-BOLT TRIM - 3/8"	8

Snack / Refreshment Center 2 Parts Manual

**TABLE 22 A. TOP TRIM PANEL OPTIONS (INDEX # 5) - MODELS 167, 267, 764
(IMPERIAL CROWN AND SIGNATURE STYLES)**

PART NUMBER	DESCRIPTION
1452062	PRES WALNUT
1452116	ENAMELED
1452117	FORMICA SPCL
1452118	TEAK
1452183	VINYL SPCL
1452225	BLACK HAIRCEL
1572128	NU WHITE
3152447	STERLING
3152573	WHITE HAIRCEL
4302284	DOVE GREY
4302290	PEWTER
4302373	BISON BLACK
6232224	SLATE
6232309	BLACK PICA

**TABLE 22 B. TOP TRIM PANEL OPTIONS (INDEX # 5) - MODELS 168, 268, 764, 765 & 787
(IMPERIAL CROWN AND SIGNATURE STYLES)**

PART NUMBER	DESCRIPTION
1482106	PRES. WALNUT
1482114	DOVE
1482116	SLATE
1482123	BLK. HAIRCEL
1482144	ROSEWOOD
1482147	TEAK
1482178	FORMICA SPCL
1482229	STERLING
1482231	ENAMELED
1482240	WHITE HAIRCEL
1482245	BLACK PICA
1482248	BISON BLACK
1582006	NUWHITE
1582015	COMP. OAK
4742004	VINYL SPCL

Snack / Refreshment Center 2 Parts Manual

**TABLE 22 C. RIGHT HAND TRIM PANEL OPTIONS (INDEX # 9)
(IMPERIAL CROWN AND SIGNATURE STYLES)**

PART NUMBER	DESCRIPTION
1572054	DOVE GREY - NO COIN
1572101	STERLING
1572193	PORT AU PRINCE - NO COIN
1572106	BLACK PICA
1572109	BLACK HAIRCEL
1572115	COMP. OAK
1572118	DOVE GREY
1572120	BLACK PICA - NO COIN
1572121	STERLING - NO COIN
1572123	ENAMELED
1572126	FORMICA SPECIAL
1572130	NU WHITE
1572139	MOROCCO GREY
1572141	PEWTER
1572144	PLATINUM GREY
1572149	PRES. WALNUT
1572152	SLATE
1572155	STAINLESS STEEL
1572157	TEAK
1572160	VINYL SPECIAL
1572163	WHITE HAIRCEL
1572168	PRES. WALNUT - NO COIN
1572171	BISON BLACK
1572195	PORT AU PRINCE

Snack / Refreshment Center 2 Parts Manual

TABLE 22 D. BOTTOM TRIM PANEL OPTIONS (INDEX # 11) - MODELS 167, 267, 764
(IMPERIAL CROWN AND SIGNATURE STYLES)

PART NUMBER	DESCRIPTION
1572102	STERLING
1572104	BISON BLACK
1572107	BLACK PICA
1572110	BLACK HAIRCEL
1572116	COMP. OAK
1572119	DOVE GREY
1572124	ENAMELED
1572127	FORMICAL SPECIAL
1572131	NU WHITE
1572142	PEWTER
1572145	PLATINUM GREY
1572150	PRES. WALNUT
1572153	SLATE
1572158	TEAK
1572161	VINYL SPECIAL
1572164	WHITE HAIRCEL

Snack / Refreshment Center 2 Parts Manual

TABLE 22 E. BOTTOM TRIM PANEL OPTIONS (INDEX # 11) - MODELS 168, 268, 765, 784, 787
(IMPERIAL CROWN AND SIGNATURE STYLES)

PART NUMBER	DESCRIPTION
1482196	COMP. OAK
1482198	PLATINUM GREY
1482209	ROSEWOOD
1482210	TEAK
1482214	BLACK HAIRCEL
1482222	STERLING
1482223	PRES. WALNUT
1482225	DOVE
1482226	SLATE
1482227	FORMICAL SPECIAL
1482232	ENAMELED
1482242	WHITE HAIRCEL
1482247	BLACK PICA
1482250	BISON BLACK
1582008	NUWHITE
4742005	VINYL SPCL

Snack / Refreshment Center 2 Parts Manual

TABLE 22 F. LEFT HAND TRIM PANEL OPTIONS (INDEX # 14) - MODELS 167, 267, 764
(IMPERIAL CROWN AND SIGNATURE STYLES)

PART NUMBER	DESCRIPTION
1572100	STERLING
1572105	BLACK PICA
1572108	BLACK HAIRCEL
1572114	COMP. OAK
1572117	DOVE GREY
1572122	ENAMELED
1572125	FORMICA SPCL
1572129	NU WHITE
1572138	MOROCCO GREY
1572140	PEWTER
1572143	PLATINUM GREY
1572148	PRES. WALNUT
1572151	SLATE
1572154	STAINLESS STEEL
1572156	TEAK
1572159	VINYL SPCL
1572162	WHITE HAIRCEL
1572172	BISON BLACK
1572194	PORT AU PRINCE

Snack / Refreshment Center 2 Parts Manual

**TABLE 24 G. LEFT HAND TRIM PANEL OPTIONS (INDEX # 14) - MODELS 168, 268, 765, 784, 787
(IMPERIAL CROWN AND SIGNATURE STYLES)**

PART NUMBER	DESCRIPTION
1482124	DOVE
1482139	PORT AU PRINCE
1482143	ROSEWOOD
1482146	TEAK
1482169	PRES. WALNUT
1482174	PEWTER
1482177	FORMICA SPCL
1482189	SLATE
1482197	COMP. OAK
1482199	PLATINUM GREY
1482204	BLK. HAIRCEL
1482221	STERLING
1482233	ENAMELED
1482241	WHITE HAIRCEL
1482246	BLACK PICA
1482249	MOROCCO GREY
1582007	NUWHITE
1572172	BISON BLACK
4742006	VINYL SPCL

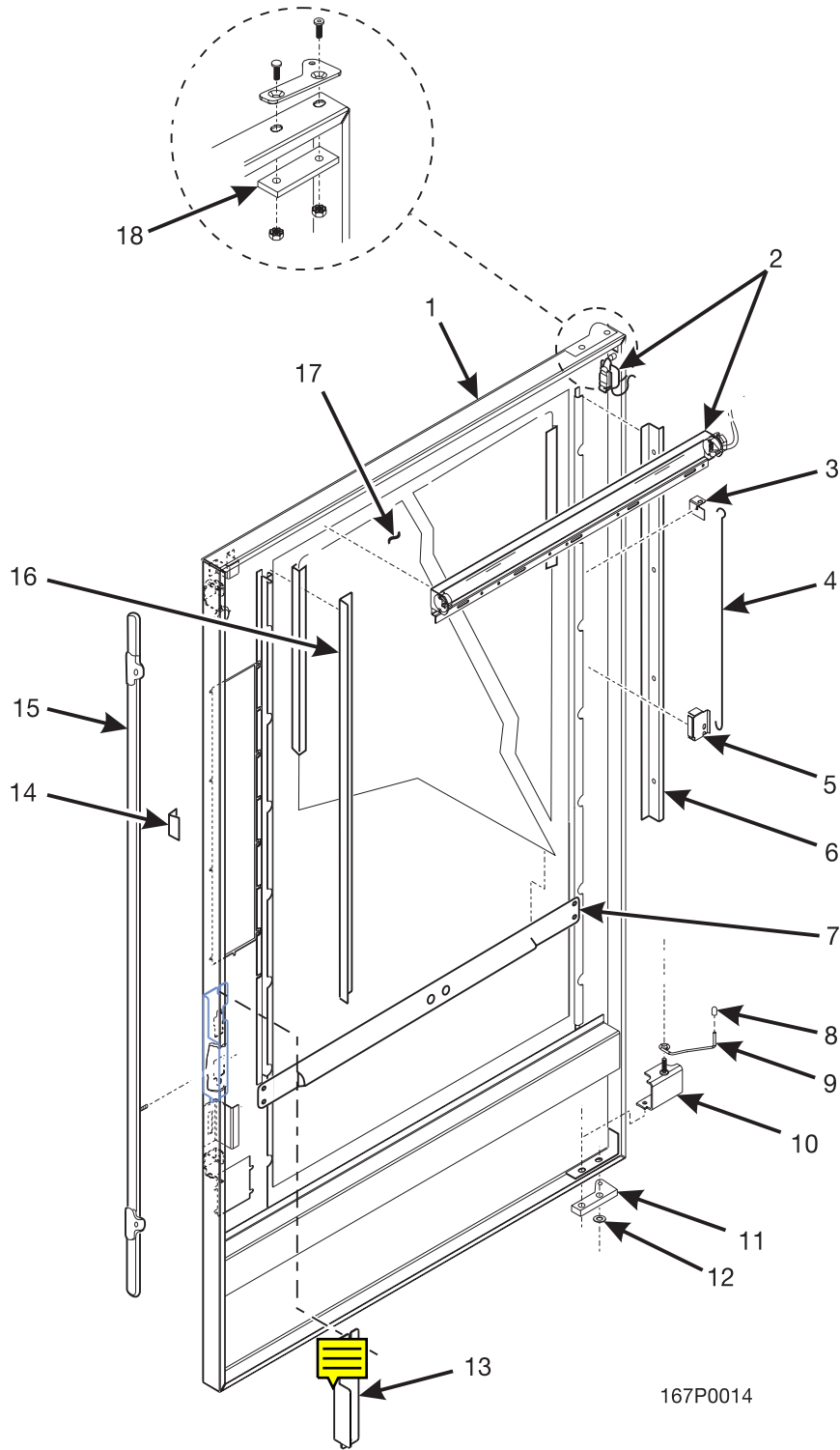
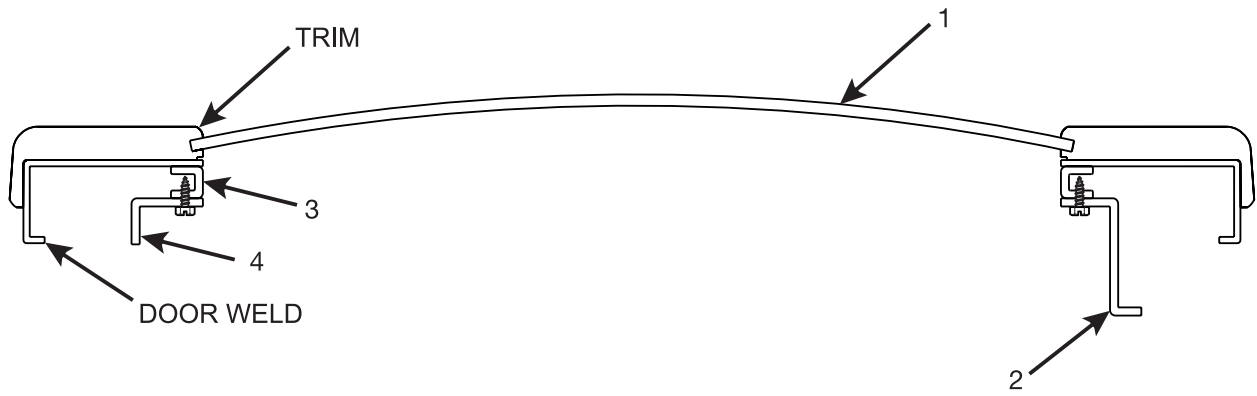


Figure 24. Door Assembly (Millennia Styling)

Snack / Refreshment Center 2 Parts Manual

TABLE 23. DOOR ASSEMBLY (MILLENNIA STYLING)

INDEX	PART NUMBER	DESCRIPTION	QTY
1	1572225	WELD ASSEMBLY - DOOR - NV BLACK (167, 267, 764)	1
	1582069	WELD ASSEMBLY - DOOR - NV BLACK (168, 268, 765, 784, 787)	
	4872006	WELD ASSEMBLY - DOOR - MILL - SELECTA WHITE (USED ON MILLENNIA - SELECTA WHITE STYLING ONLY)	
2	-	UPPER DOOR LIGHT ASSEMBLY & BALLAST (SEE FIGURE 30 FOR DETAILS)	1
3	1572028	RETAINER-ROD SUPPORT-COMMON	1
4	1479140	ROD - SUPPORT - GUM & MINT	1
5	1572027	SUPPORT - PROP ROD - COMMON	1
6	1572020	RETAINER - GLASS W/O SIDE LIGHT (SHOWN) (167,168, 267, 268, 764, 765, 784, 787)	1
	4972107	RETAINER - GLASS W/ SIDE LIGHT (784, 787) (SEE FIGURE 25 FOR DETAILS)	
	4872015	RETAINER - GLASS - LG (SELECTA WHITE ONLY)	
7	-	HORIZONTAL TRIM & GLASS CHANNEL ASSEMBLY (SEE FIGURE 26 FOR DETAILS)	1
8	1571037	CAP - VINYL - .281 ID X .50 LONG	1
9	1572009	ROD - DOOR CHECK	1
10	1572007	WELD ASSEMBLY - DOOR CHECK	1
11	6232031	HINGE ASSEMBLY - DOOR - LOWER	1
12	6232031	HINGE ASSEMBLY - DOOR - LOWER - SELECTA WHITE	
13	1572196	CHANNEL - FILLER - LOCK	1
14	1472250	GUIDE - LOCK BAR	1
15	1472178	LOCK BAR ASSEMBLY	1
16	1472048	PLATE - GLASS RETAINING	1
17	1572228	GLASS - CURVED FRONT - 38.13" SNACK (167, 267, 764) (SEE FIGURE 25 FOR DETAILS)	1
	1582079	GLASS - CURVED FRONT - 32" SNACK (168, 268, 765, 784, 787) (SEE FIGURE 25 FOR DETAILS)	
18	6232028	PLATE ASSEMBLY - HINGE MOUNTING	1



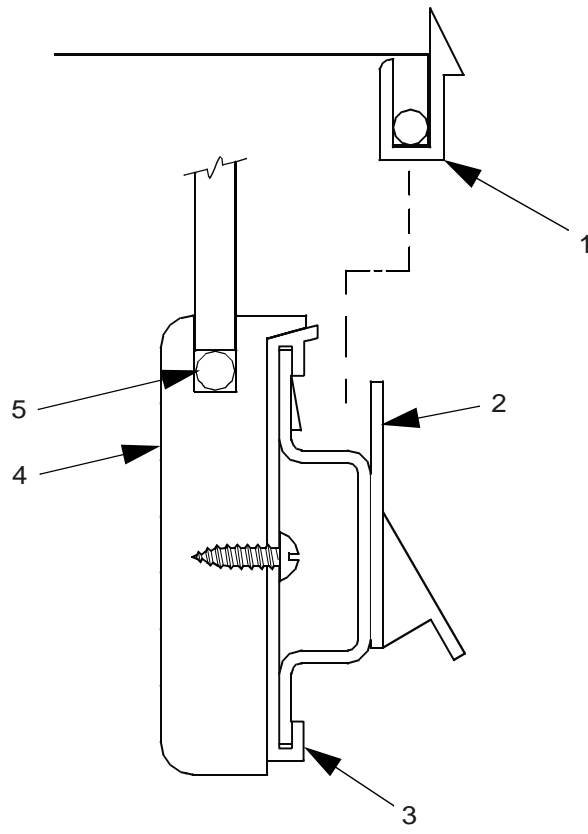
497p0094

Figure 25. Door Glass and Glass Retaining Components (Millennia Styling)

Snack / Refreshment Center 2 Parts Manual

TABLE 24. DOOR GLASS AND GLASS RETAINING COMPONENTS (MILLENNIA STYLING)

INDEX	PART NUMBER	DESCRIPTION	QTY
1	1582079	GLASS - CURVED FRONT - 32" - SNACK	1
2	4972107	RETAINER - GLASS W/ SIDE LIGHT	REF
2	1572020	RETAINER - GLASS W/O SIDE LIGHT	REF
3	1572243	GLASS - RETAINER - SPACER	2
4	1472048	GLASS RETAINING PLATE	REF

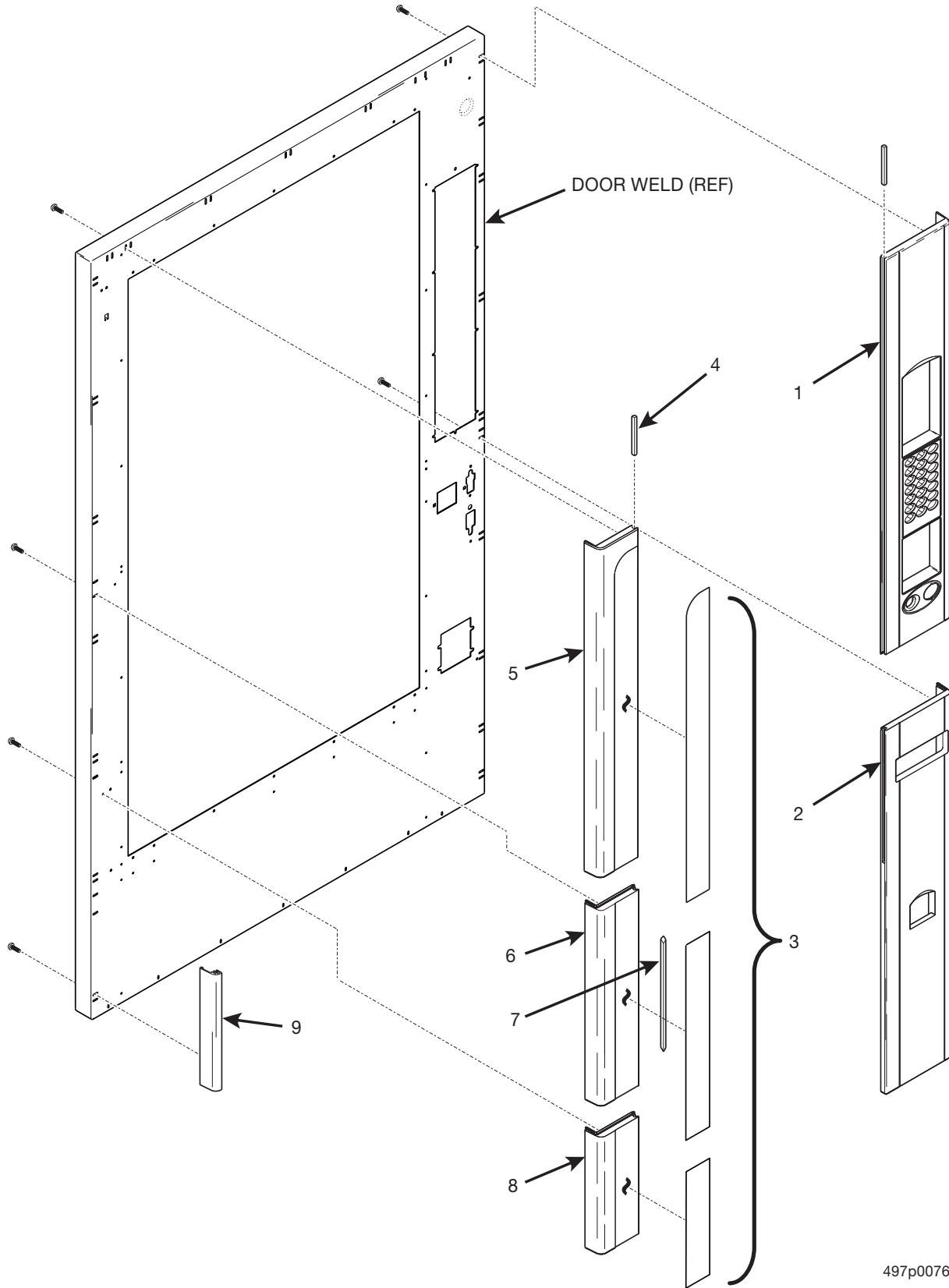


157p0278

Figure 26. Horizontal Trim and Glass Channel Assembly (Millennia Styling)

Snack / Refreshment Center 2 Parts Manual

TABLE 25. HORIZONTAL TRIM AND GLASS CHANNEL ASSEMBLY (MILLENNIA STYLING)			
INDEX	PART NUMBER	DESCRIPTION	QTY
-	1572376	HORIZONTAL TRIM & GLASS CHANNEL ASSEMBLY (167, 267, 764)	1
	1582141	HORIZONTAL TRIM & GLASS CHANNEL ASSEMBLY (168, 268, 765, 784, 787)	
1	1572247	CHANNEL & DELECTOR ASSEMBLY (167, 267, 764)	1
	1582095	CHANNEL & DELECTOR ASSEMBLY (168, 268, 765, 784, 787)	
2	1472220	PANEL ASSEMBLY - GLASS LOWER (167, 267, 764)	1
	1602026	PANEL ASSEMBLY - GLASS LOWER (168, 268, 765, 784, 787)	
3	1572233	PANEL - LOWER TRIM - W/HOLES & PTD. (167, 267, 764)	1
	1582084	PANEL - LOWER TRIM - W/HOLES & PTD. (168, 268, 765, 784, 787)	
4	1572219	HORIZONTAL TRIM - UPPER - 38" J1 (167, 267, 764)	1
	1582201	HORIZONTAL TRIM - UPPER - J (168, 268, 765, 784, 787)	
5	1572235	GASKET - GLASS (167, 267, 764)	1
	1582093	GASKET - GLASS (168, 268, 765, 784, 787)	



497p0076

Figure 27. Common Trim and Panel Components - Millennium Styling (Part 1 of 2)

Snack / Refreshment Center 2 Parts Manual

TABLE 28. COMMON TRIM AND PANEL COMPONENTS - MILLENNIA STYLING (PART 1 OF 2)

INDEX	PART NUMBER	DESCRIPTION	QTY
1	1572213	RIGHT HAND TRIM - UPPER - A-21	1
2	1572214	RIGHT HAND TRIM - LOWER - B	1
3	1572258	DECAL - DOOR TRIM VERTICAL ASSEMBLY (INCLUDES DECALS FOR INDEX #'S 5, 6 & 8)	1
4	1572259	FILLER - GROOVE - SHORT	2
	4872018	FILLER - GROOVE - SHORT (SELECTA WHITE)	
5	4552058	TRIM - UPPER - LEFT HAND - "C"	1
	4872007	LEFT HAND TRIM - UPPER - C (SELECTA WHITE)	
6	4552059	TRIM - MIDDLE - LEFT HAND - "D"	1
	4872008	LEFT HAND TRIM - MIDDLE - D (SELECTA WHITE)	
7	1572260	FILLER - GROOVE - LONG	1
	4872019	FILLER - GROOVE - LONG (SELECTA WHITE)	
8	4552060	TRIM - BOTTOM - LEFT HAND - "E"	1
	4872008	LEFT HAND TRIM - BOTTOM - E (SELECTA WHITE)	
9	1572267	TRIM - LOWER - DOOR SIDE - GRAY	1
	1572324	TRIM - LOWER - DOOR SIDE - BLACK	
	4872013	TRIM - LOWER - DOOR SIDE - SELECTA WHITE	

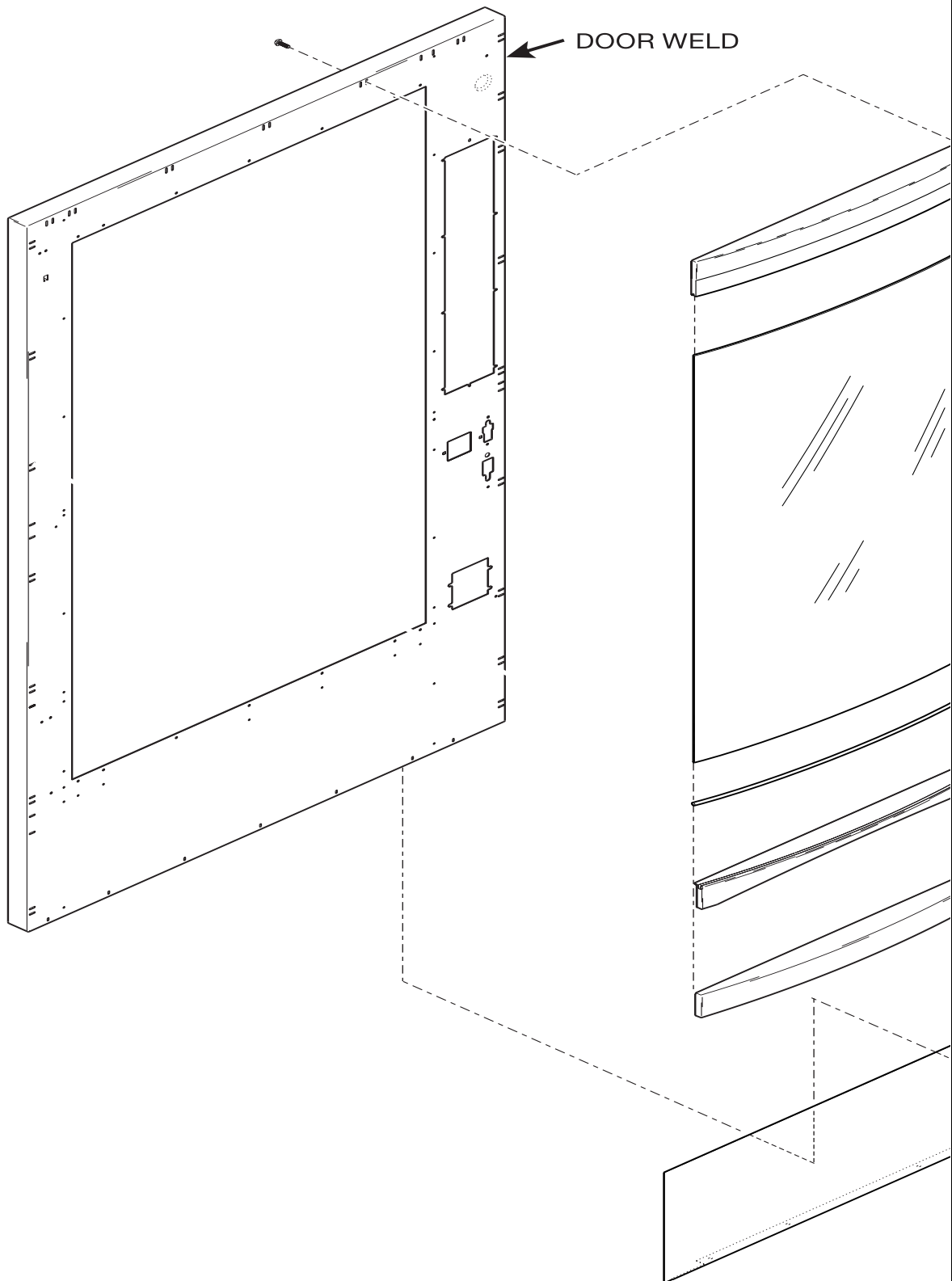
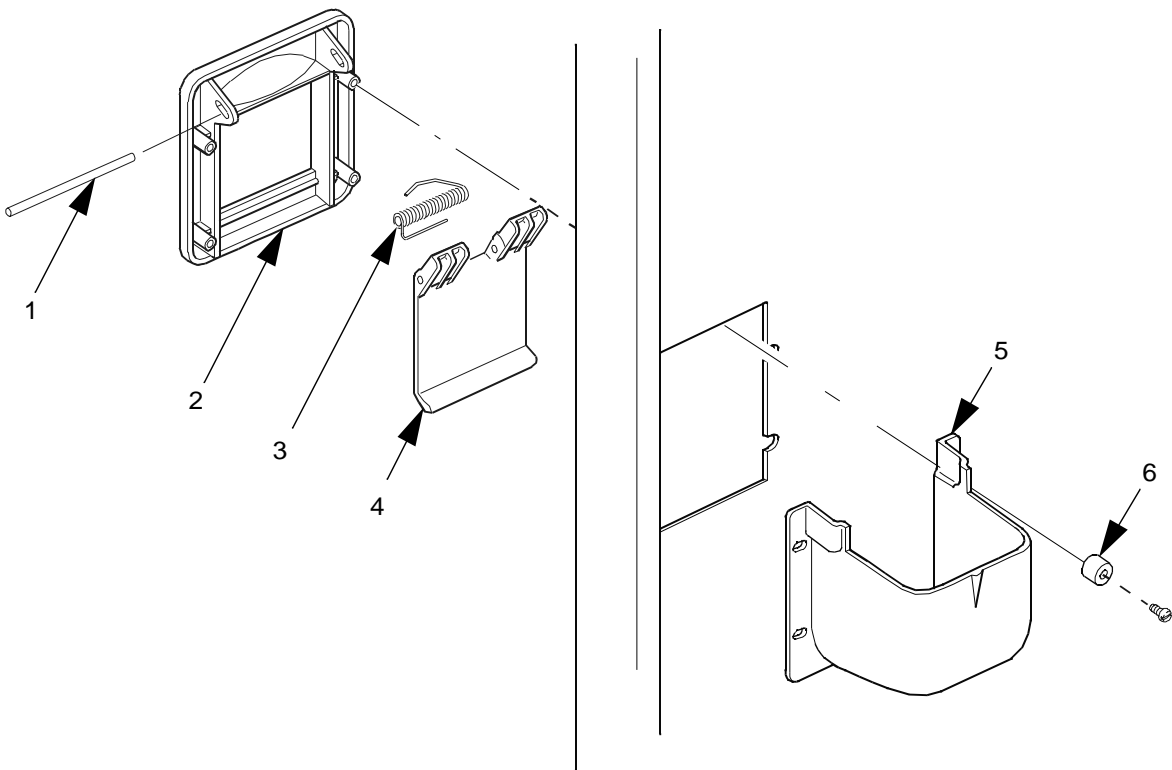


Figure 28. Common Trim and Panel Components - Millennia Styling (Part 2 of 2)

Snack / Refreshment Center 2 Parts Manual

TABLE 27. COMMON TRIM AND PANEL COMPONENTS - MILLENNIA STYLING (PART 2 OF 2)

INDEX	PART NUMBER	DESCRIPTION	QTY
1	1572218	HORIZONTAL TRIM - TOP - 38" - H1 (167, 267, 764)	1
	1582200	HORIZONTAL TRIM - TOP - 32" - H (168, 268, 765, 784, 787)	
	4872011	HORIZONTAL TRIM - TOP - 32" - SELECTA WHITE	
-	1572236	DECAL - DOOR TRIM HORIZ. - 38 IN.	1
	1582086	DECAL - DOOR TRIM HORIZ. - 32 IN.	
2	1572228	GLASS - CURVED FRONT - 38.13" - SNACK (167, 267, 764)	1
	1582079	GLASS - CURVED FRONT - 32" - SNACK (168, 267, 765, 784, 787)	
3	1582093	GASKET - GLASS	1
4	1572219	HORIZONTAL TRIM - UPPER - 38" - J1 (167, 267, 764)	1
	1582201	HORIZONTAL TRIM - UPPER - J (168, 268, 765, 784, 787)	
5	1572220	HORIZONTAL TRIM - LOWER - 38" - K1 (167, 267, 764)	1
	1582202	HORIZONTAL TRIM - LOWER - K (168, 268, 765, 784, 787)	
6	1572327	PANEL - BOTTOM TRIM - GRAY (167, 267, 764)	1
	1582115	PANEL - BOTTOM TRIM - GRAY (168, 268, 765, 784, 787)	
	1582116	PANEL - BOTTOM TRIM - BLACK (168, 268, 765, 784, 787)	
	4872012	PANEL - BOTTOM TRIM - SELECTA WHITE (32")	



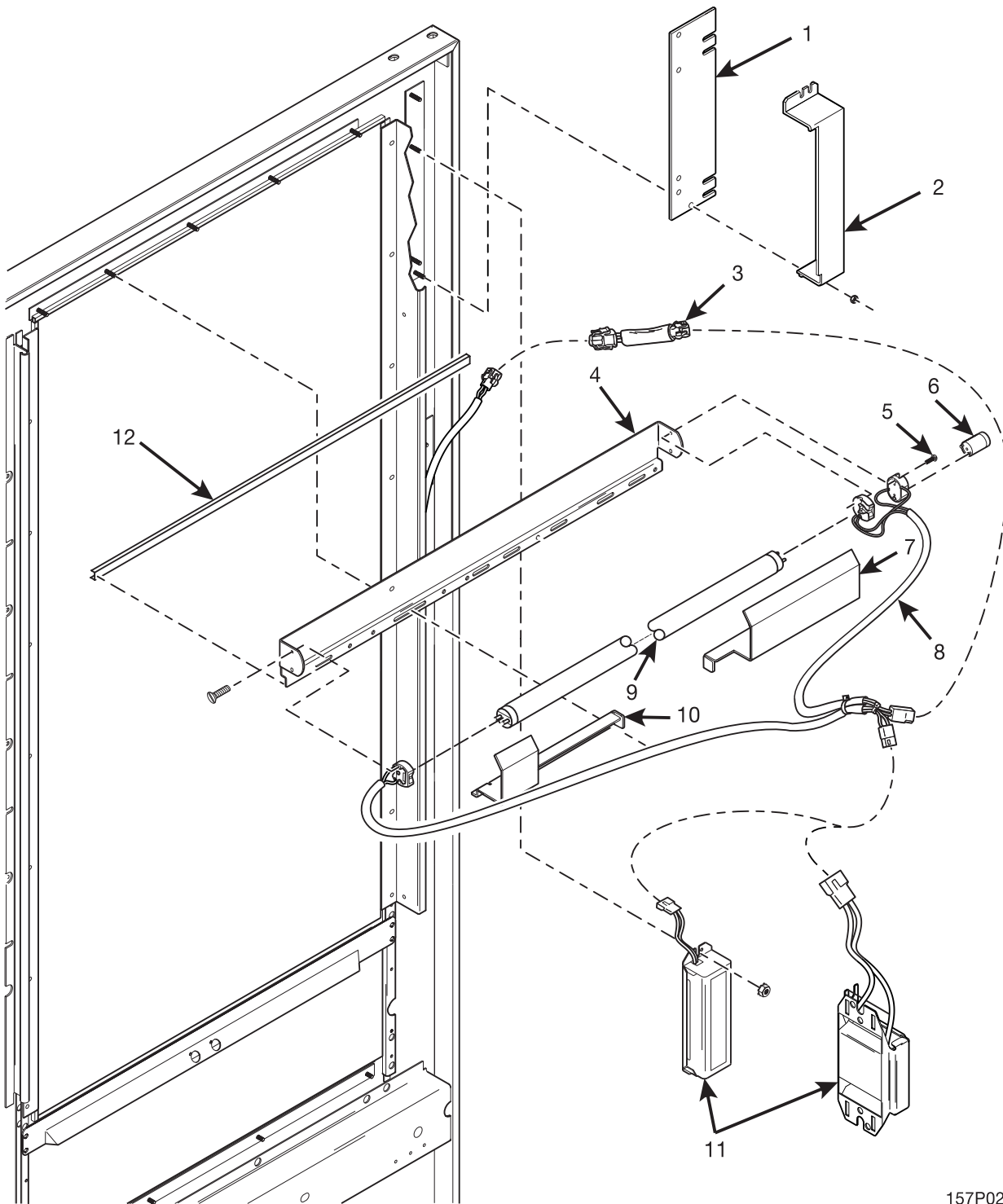
157p0119

Figure 29. Coin Receptacle Assembly

Snack / Refreshment Center 2 Parts Manual

TABLE 28. COIN RECEPTACLE ASSEMBLY

INDEX	PART NUMBER	DESCRIPTION	QTY
1	4245084	SHAFT - DOOR - COIN RETURN	1
2	1572011	TRIM - COIN RECEPTACLE	1
3	4245083	SPRING - COIN RETURN DOOR	1
4	4245082	GATE - COIN RETURN	1
5	1572010	CUP - COIN RETURN	1
6	2302053	SPACER - CUP	4



157P0274

Figure 30. Light Assembly - Upper Door

Snack / Refreshment Center 2 Parts Manual

TABLE 31. LIGHT ASSEMBLY - UPPER DOOR

INDEX	PART NUMBER	DESCRIPTION	QTY
-	1702004	LIGHT ASSEMBLY-UPPER-DOOR (25W) (120V MODELS 167,267,764)	1
	1702003	LIGHT ASSEMBLY-UPPER-DOOR (20W) (120V MODELS 168,268,765,784,787,AND ALL 230V MODELS)	1
1	1572046	PLATE - BALLAST (230V MODELS)	1
2	1572047	COVER - BALLAST - EUROPE (230 V MODULES)	1
3	1451124	SUPPRESSION NETWORK ASSEMBLY (ALL 120V MODELS)	1
	6332010	SUPPRESSION NETWORK ASSEMBLY (ALL 230V MODELS)	
4	1572039	BRACKET - LIGHT - COMMON - 25 W	1
	1582025	BRACKET - LIGHT - COMMON - 20W	
5	3107171	SCREW - #4-36X5.8 RHS	2
6	2222095	STARTER (20W) (ALL MODELS WITH 1702003 LIGHT ASSEMBLY)	1
	2302218	STARTER (20W) (ALL MODELS WITH 1702004 LIGHT ASSEMBLY)	
7	1572045	COVER - LIGHT SOCKET - LEFT (230 V MODELS)	1
8	1709015	HARNESS - DOOR - FLUOR. LIGHT	1
9	1122138	FLUORESCENT LAMP (20W) (ALL MODELS WITH 1702003 LIGHT ASSEMBLY)	1
	1172115	FLUORESCENT LAMP (25W) (ALL MODELS WITH 1702004 LIGHT ASSEMBLY)	
10	1572044	COVER - LIGHT SOCKET - RIGHT (230 V MODELS)	1
11	1572016	BALLAST (230V MODELS)	1
	3151058	BALLAST-120V (168,268,765,784,787)	
	6152188	BALLAST-120V (167,267,764)	
12	1572244	SPACER - LIGHT BRACKET (167, 267, 764 - MILLENNIA STYLE ONLY)	1
	1582085	SPACER - LIGHT BRACKET (168, 268, 765, 784, 787 -MILLENNIA STYLE ONLY)	

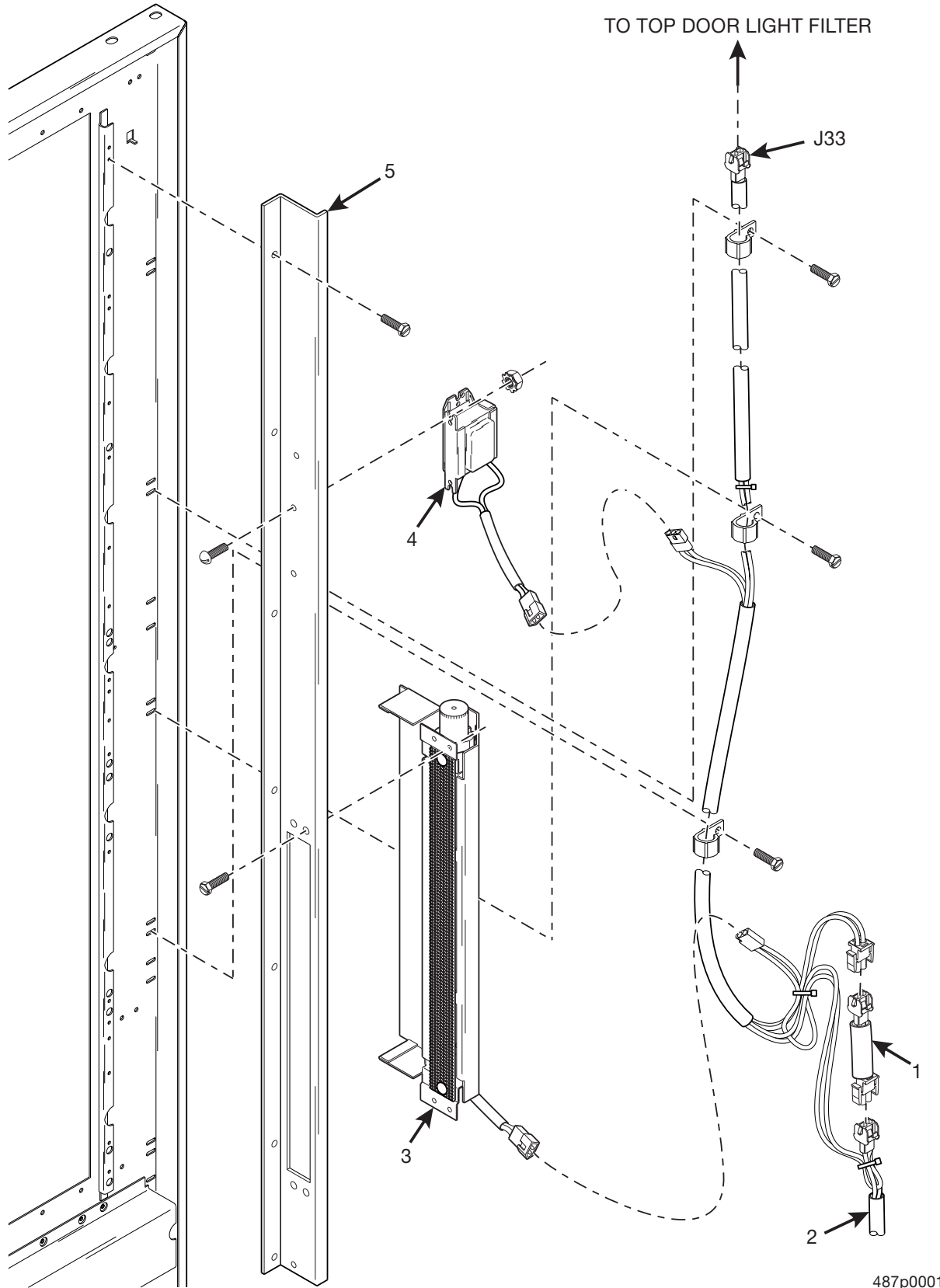


Figure 31. Door Assembly - Models 784, 787 With Refrig/Frozen Food Module

Snack / Refreshment Center 2 Parts Manual

TABLE 30. DOOR ASSEMBLY - MODELS 784, 787 WITH REFRIG/FROZEN FOOD MODULE

INDEX	PART NUMBER	DESCRIPTION	QTY
1	1451124	SUPPRESSION NETWORK ASSEMBLY (110V)	1
	6332010	SUPPRESSION NETWORK ASSEMBLY (230V)	
2	4979009	HARNESS - SIDE PANEL & DOOR FLST LIGHT (110V/230V)	1
3	1572023	FLUORESCENT SIDE LIGHT ASSEMBLY	1
4	4401016	BALLAST (110V)	1
	4851085	BALLAST (230V)	
5	4972107	RETAINER - GLASS W/SIDE LIGHT	1

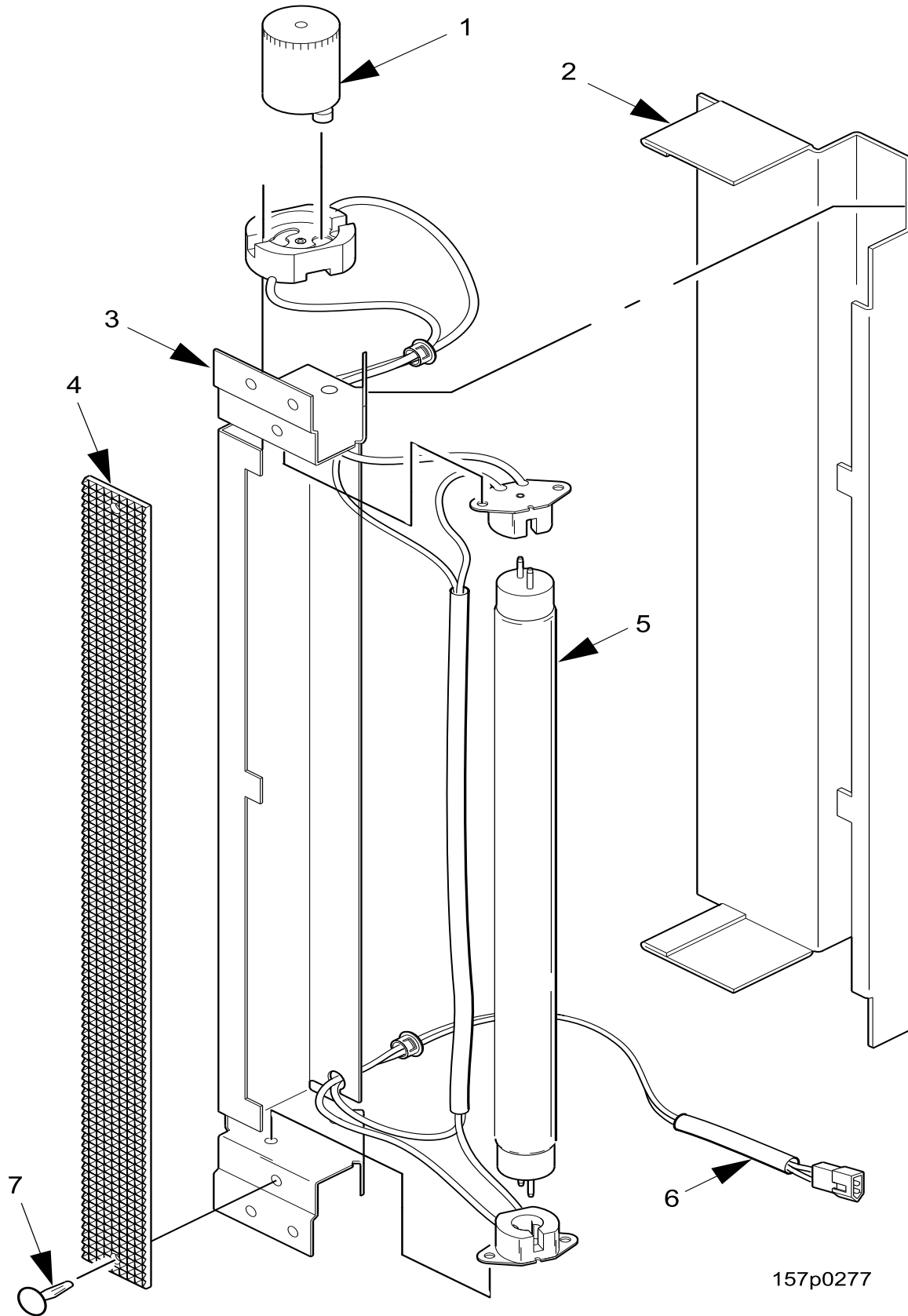
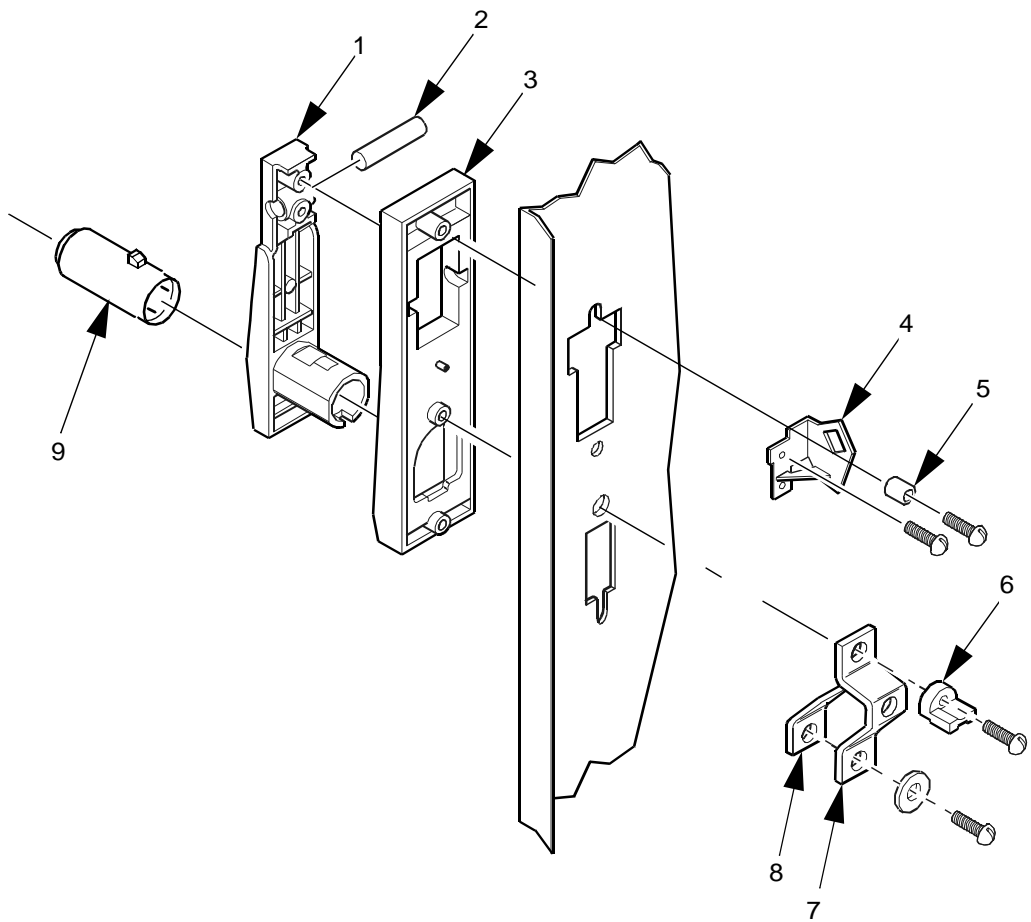


Figure 32. Fluorescent Side Light Assembly

Snack / Refreshment Center 2 Parts Manual

TABLE 31. FLUORESCENT SIDE LIGHT ASSEMBLY

INDEX	PART NUMBER	DESCRIPTION	QTY
-	1572023	FLUORESCENT SIDE LIGHT ASSEMBLY	1
1	1212148	FLUORESCENT STARTER FS 5	1
2	4852049	COVER - LIGHT	1
3	2146059	LAMP - FLUORESCENT 8 WATT F8T5/CW	1
4	4849008	HARNESS - FLST. LT. - FOOD MODULE	1
5	4042556	CANOE CLIP	2
6	4842004	DIFFUSER - LIGHT	1
7	4842015	HOUSING - LIGHT - COMMON	1

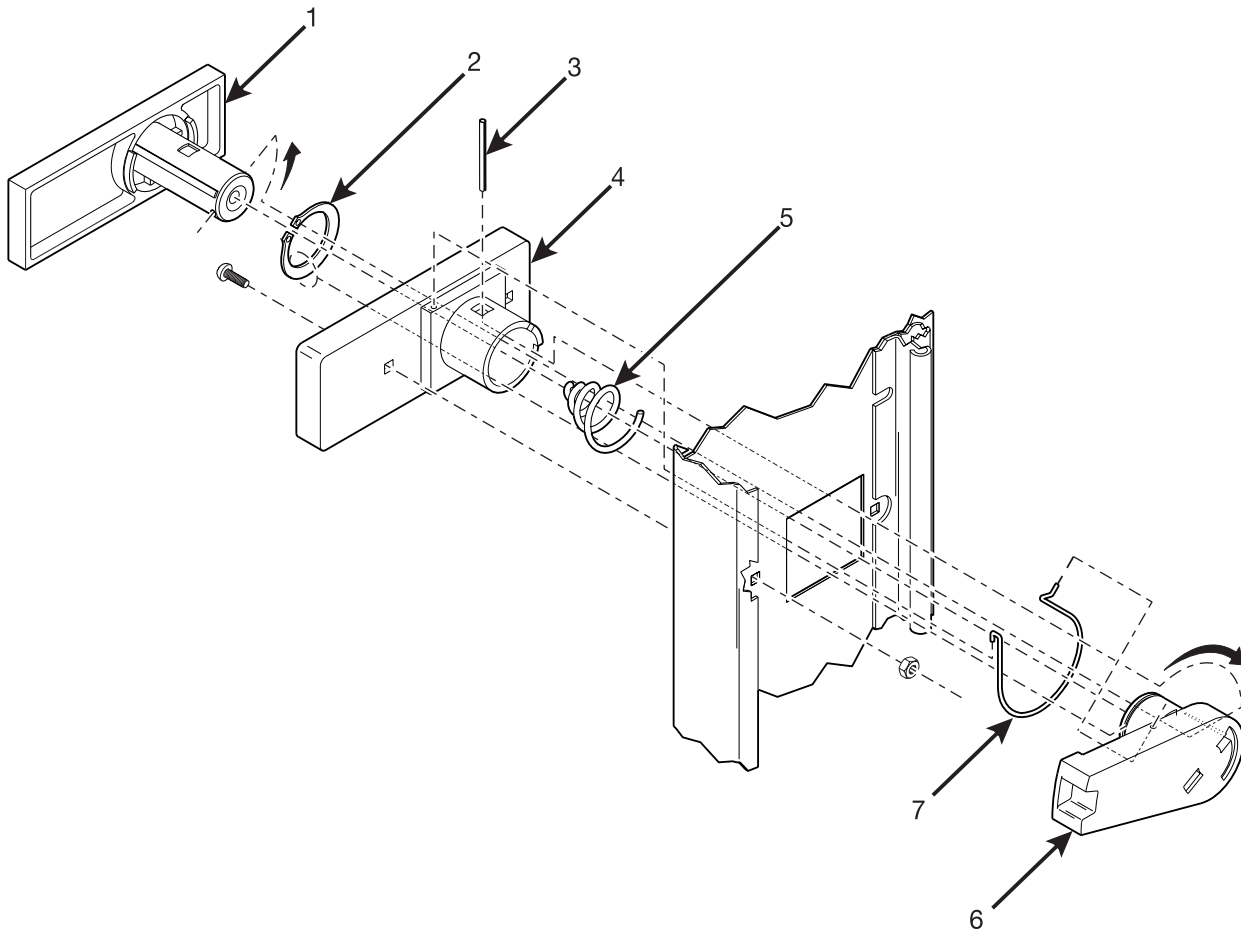


157p0243

Figure 33. Door Lock and Handle Assembly (Imperial Crown and Signature Styles)

Snack / Refreshment Center 2 Parts Manual

TABLE 32. DOOR LOCK AND HANDLE ASSEMBLY (IMPERIAL CROWN AND SIGNATURE STYLES)			
INDEX	PART NUMBER	DESCRIPTION	QTY
1	1172190	LEVER - LOCK	1
2	1302291	PIVOT - LEVER LOCK	1
3	1172191	BASE - LEVER LOCK	1
4	2272052	ACTUATOR ASSEMBLY - LOCK BAR	1
5	1302289	CUP SPACER	1
6	1302326	SHIELD - LATCH	1
7	1302324	CATCH - DOOR LATCH	1
8	1302290	LATCH - LOCK LOWER	1
9	9992400	CYLINDER - LOCK	1
	3112163	VAN LOCK	OPT
-	3112164	KEY (NOT SHOWN) VAN LOCK APPLICATION (NOT SHOWN)	1 OPT



497p0029

Figure 34. Door Lock and Handle Assembly (Millennia Style)

Snack / Refreshment Center 2 Parts Manual

TABLE 34. DOOR LOCK AND HANDLE ASSEMBLY (MILLENNIA STYLE)

INDEX	PART NUMBER	DESCRIPTION	QTY
-	1572395	LOCK ASSEMBLY - MILLENNIA	1
1	1572397	LEVER - HANDLE	1
2	1572199	RETAINING RING - LOCK ACTUATOR	1
3	6104218	ROLL PIN - 1/8 X 1 IN.	1
4	1572396	BASE - LOCK HANDLE	1
5	1572203	SPRING - LOCK	1
6	1572398	ACTUATOR - LOCK BAR	1
7	1572204	SPRING - LIFT - ACTUATOR	1

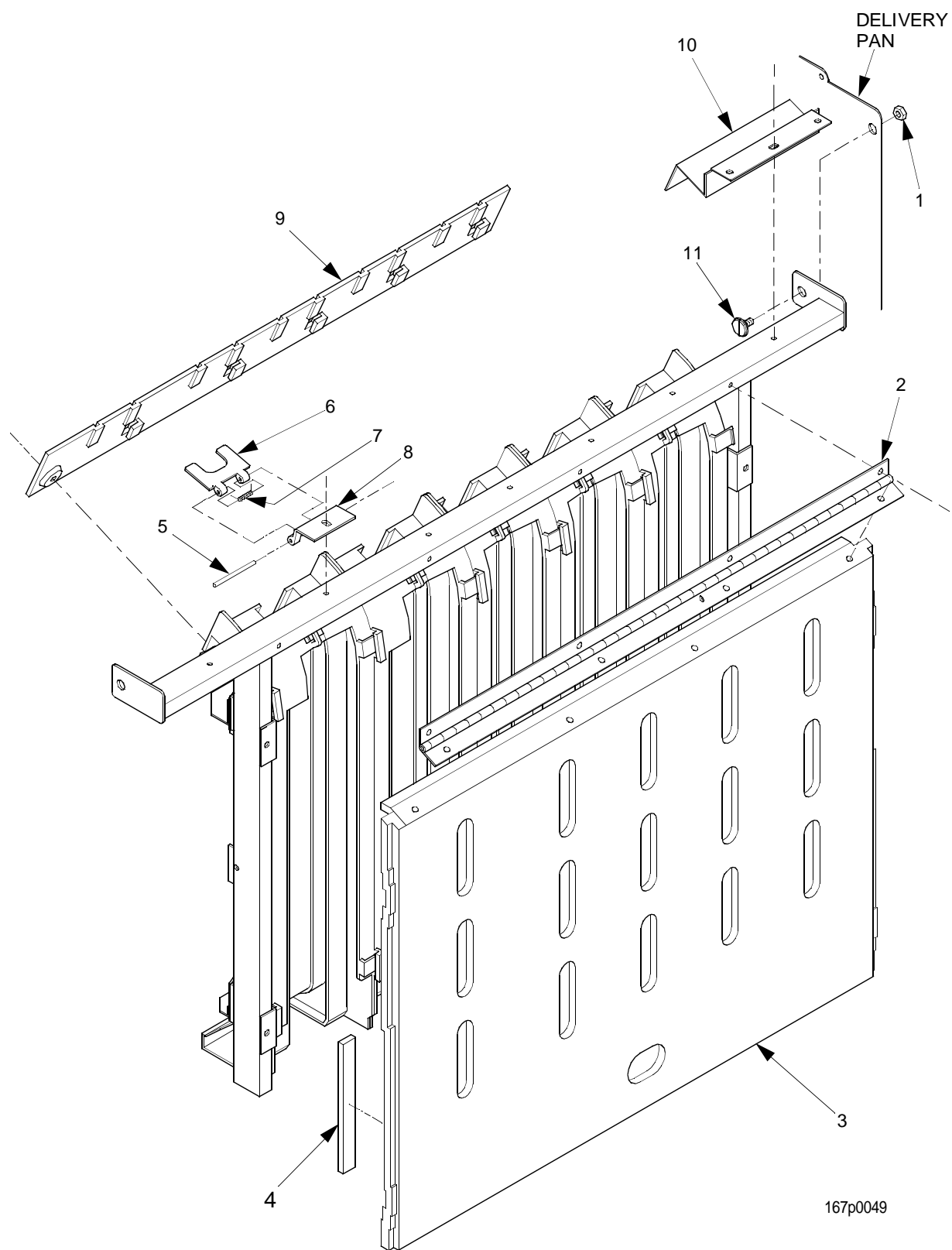
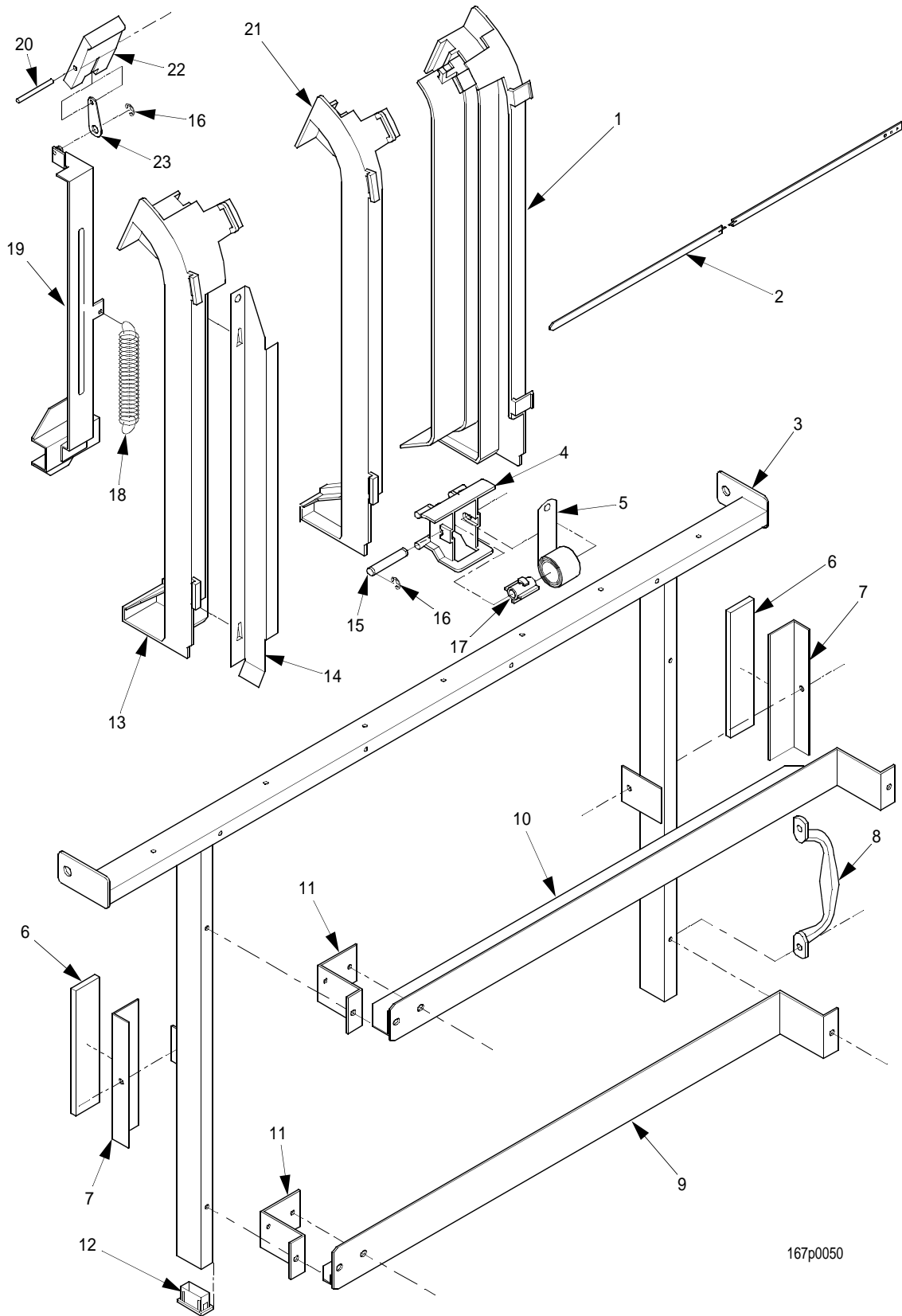


Figure 35. Gum and Mint Assembly (Part 1)

Snack / Refreshment Center 2 Parts Manual

TABLE 36. GUM AND MINT ASSEMBLY (PART 1)

INDEX	PART NUMBER	DESCRIPTION	QTY.
-	1577000X	GUM & MINT COLUMN (167, 267, 764)	-
-	1587000X	GUM & MINT COLUMN (168, 268, 765, 784, 787)	-
1	6133152	NUT - #10-32 X 5/8 SEMS TY23 T/C EXT Z	2
2	1479104	HINGE - COVER	1
-	1479125	COVER ASSEMBLY (INCLUDES THE NEXT TWO ITEMS)	-
3	1479101	COVER - GUM & MINT	1
4	1479119	MAGNET - RETAINER	2
5	1479083	PIN - HINGE	5
6	1479081	HINGE - FRONT	5
7	1479084	SPRING - HINGE	5
8	1479082	HINGE - BACK	5
9	1479105	WINDOW - GUM & MINT	1
10	1479103	FILLER - GUM & MINT	2
11	1479052	STUD - PIVOT - G & M	2



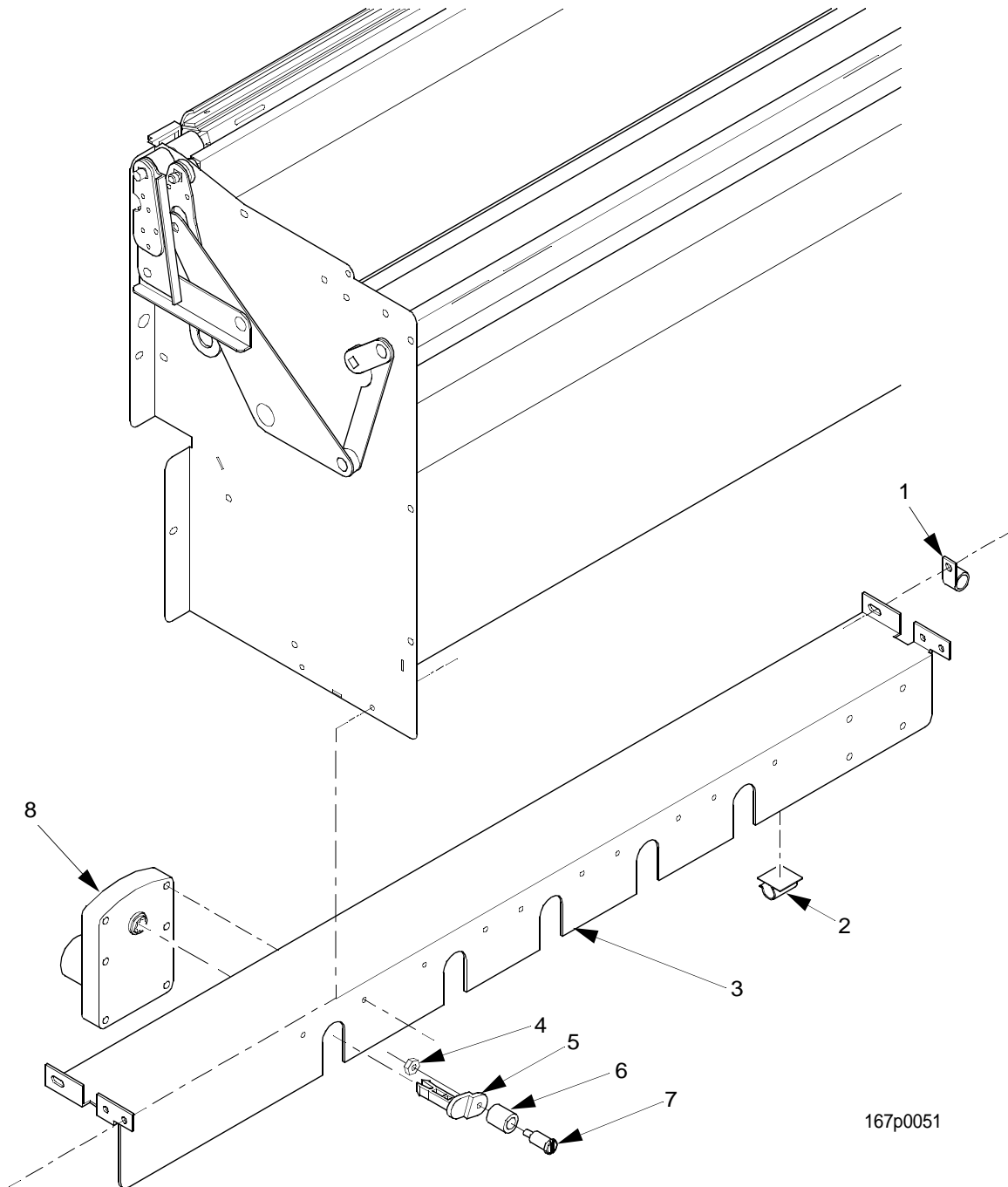
167p0050

Figure 36. Gum and Mint Assembly (Part 2)

Snack / Refreshment Center 2 Parts Manual

TABLE 37. GUM AND MINT ASSEMBLY (PART 2)

INDEX	PART NUMBER	DESCRIPTION	QTY.
1	1479075	CHANNEL - GUM & MINT - LEFT	5
2	1579053	RETAINER	3
3	1479136	FRAME ASSEMBLY - GUM & MINT (167, 267, 764)	1
	1489008	FRAME ASSEMBLY - GUM & MINT (168, 268, 765, 784, 787)	
4	1479079	PUSHER	5
5	1479106	SPRING - PUSHER	5
6	3122056	MAGNET RETAINER - COIN CHANGER	2
7	1479117	ANGLE - MAGNET	2
8	1479139	PULL - DOOR	1
9	1479092	SUPPORT ASSEMBLY - MAGAZINE - LOWER	1
10	1479089	SUPPORT ASSEMBLY - MAGAZINE - UPPER	1
11	1479095	BRACKET - MAGAZINE	2
12	1479120	CAPLUG - REC. ½ X 1	2
13	1479077	CHANNEL - GUM & MINT - RIGHT - LARGE	2
14	1479064	SPACER - COLUMN - G & M	2
15	1479099	PIN - PUSHER	5
16	9900425	RETAINING RING REINF E TYP. 250	15
17	1479080	SPOOL - SPRING	5
18	4246307	SPRING - HORIZONTAL SELECTOR ARM	5
19	1677171	DRIVE BAR & STUD ASSEMBLY	5
20	1479098	PIN - EJECTOR	5
21	1479076	CHANNEL - GUM & MINT - RIGHT - SMALL	3
22	1479078	EJECTOR - GUM & MINT	5
23	1479097	LINK - EJECTOR	5
-	1579012	HARNESS - GUM & MINT (NOT SHOWN)	1



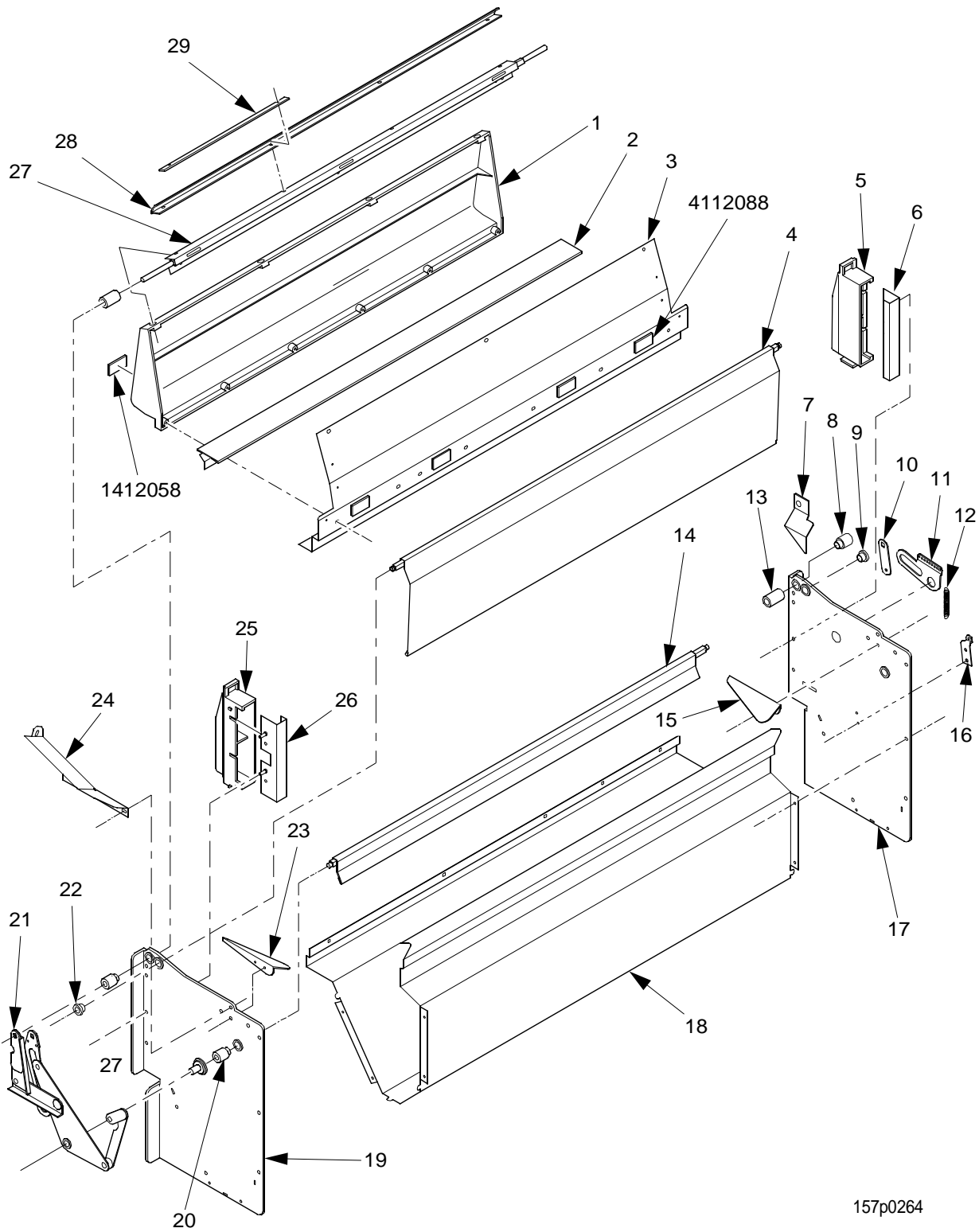
167p0051

Figure 37. Gum and Mint Assembly (Part 3)

Snack / Refreshment Center 2 Parts Manual

TABLE 38. GUM AND MINT ASSEMBLY (PART 3)

INDEX	PART NUMBER	DESCRIPTION	QTY.
1	1452139	RETAINER - HARNESS	1
2	6131143	CABLE CLAMP - RICHCO #KKC6	2
3	1489005	ANGLE - MOTOR (168, 268, 765, 784, 787)	1
	1572351	ANGLE - MOTOR (167, 267, 764)	
4	9900081	NUT #8-32 KEPS ZINC PLATE	5
5	1479145	ARM - DRIVE MOTOR	5
6	1479063	ROLLER - DRIVE ARM	5
7	1479062	STUD - DRIVE ARM	5
8	1577038	MOTOR & PC BOARD ASSEMBLY	5

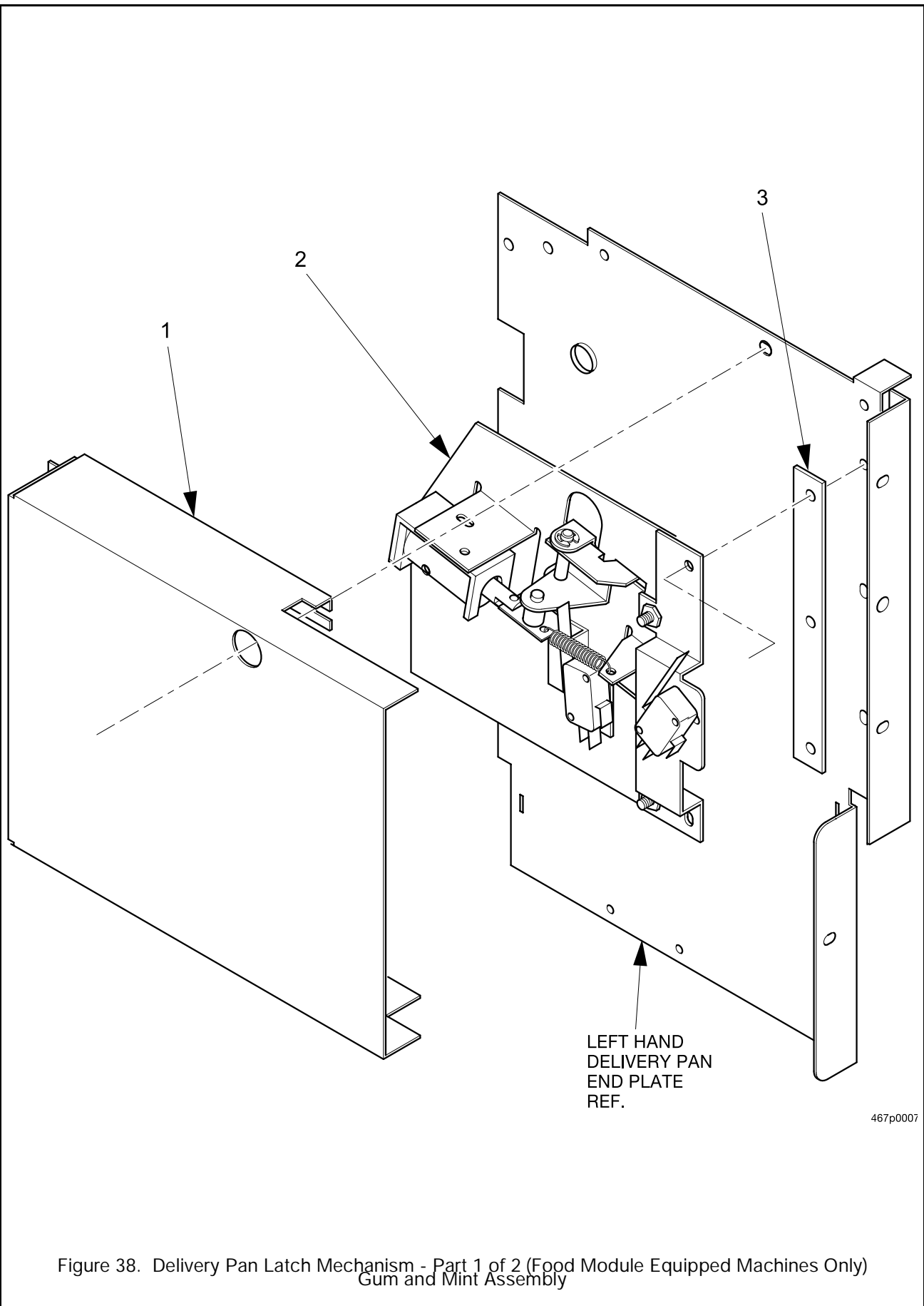


157p0264

Figure 37. Delivery Pan Assembly

Snack / Refreshment Center 2 Parts Manual

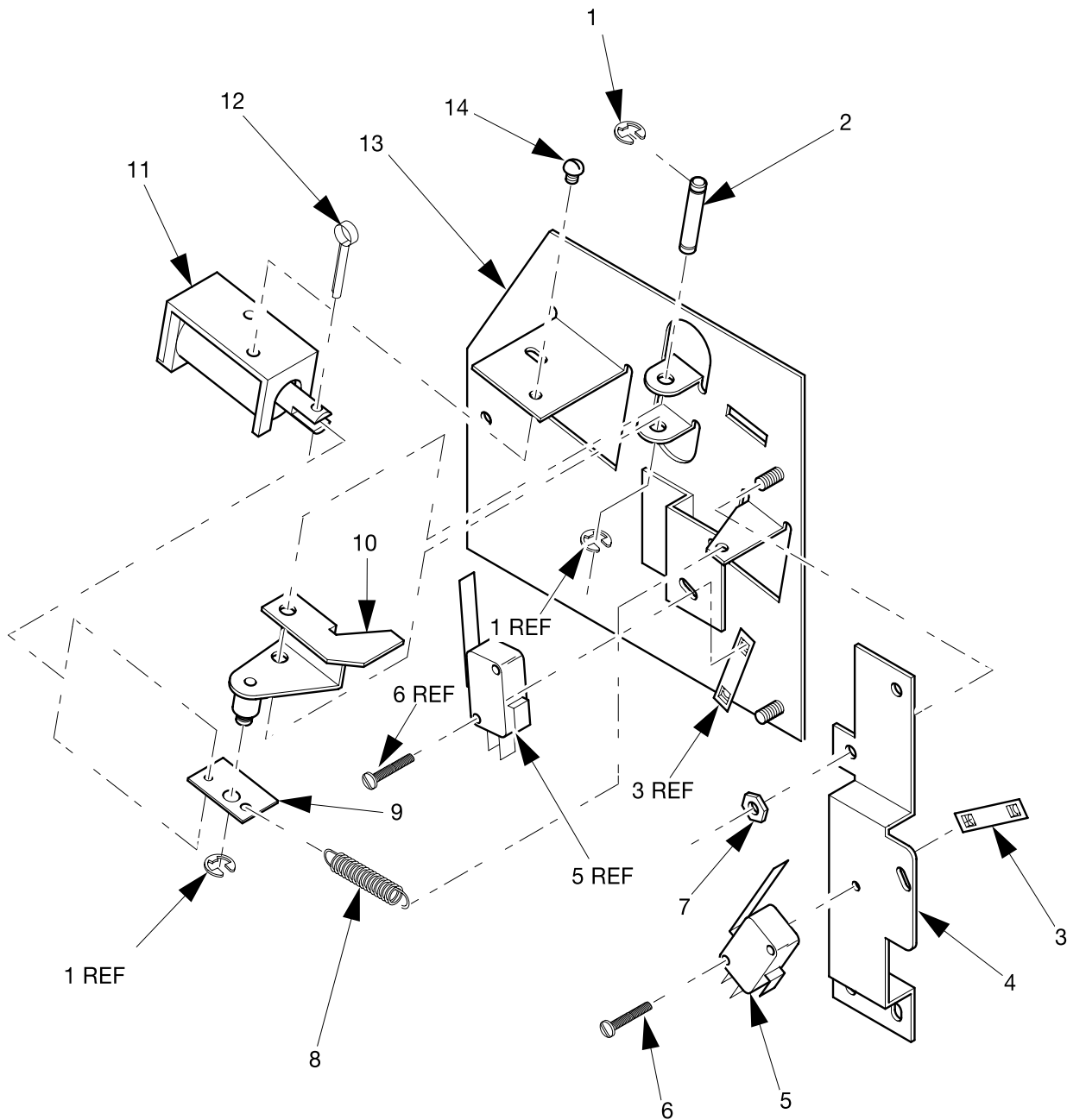
TABLE 36. DELIVERY PAN ASSEMBLY			
INDEX	PART NUMBER	DESCRIPTION	QTY.
-	1572354	DELIVERY PAN ASSEMBLY - 38" (167, 267, 764)	1
	1582134	DELIVERY PAN ASSEMBLY - 32" (168, 268, 765, 784, 787)	
1	1572053	DOOR - DELIVERY - 38" (167, 267, 764)	1
	1582080	DOOR - DELIVERY - 32" (168, 268, 765, 784, 787)	
2	1572280	FILLER - FRONT - 38" (167, 267, 764)	1
	1582127	FILLER - FRONT - 32" (168, 268, 765, 784, 787)	
3	1572289	BACK - DELIVERY DOOR - 38" (167, 267, 764)	1
	1582126	BACK - DELIVERY DOOR - 32" (168, 268, 765, 784, 787)	
4	1572415	DOOR ASSEMBLY - PILFERAGE - 38" (167, 267, 764)	1
	1582219	DOOR ASSEMBLY - PILFERAGE - 32" (168, 268, 765, 784, 787)	
5	1572229	FILLER - LEFT HAND	1
6	1572301	CHANNEL & STUD ASSEMBLY - L.H.	1
7	1582225	DEFLECTOR - L.H. - 32" (167, 267, 764)	1
8	1572416	SLEEVE - DELIVERY DOOR	2
9	1572418	SLEEVE - PILFER & REAR DR. - L.H	2
10	1572353	ARM ASSEMBLY - SPRING ASSIST	1
11	1572423	ACTUATOR ASSEMBLY. - SPRING ASSIST	1
12	1572420	SPRING	1
13	1572315	SPACER - DELIVERY DOOR	2
14	1572388	DOOR ASSEMBLY - REAR - 38" (167, 267, 764)	1
	1582146	DOOR ASSEMBLY - REAR - 32" (168, 268, 765, 784, 787)	
15	1572322	DEFLECTOR - INNER - L.H.	1
16	1572421	ANCHOR - SPRING	1
17	1572425	SIDE PLATE ASSEMBLY - R.H.	1
18	1572391	WELD ASSEMBLY - DELIVERY PAN - 38" (167, 267, 764)	1
	1582148	WELD ASSEMBLY - DELIVERY PAN - 32" (168, 268, 765, 784, 787)	
19	1572424	SIDE PLATE ASSEMBLY - L.H.	1
20	1572409	SPACER - SHAFT	1
21	1572410	LINKAGE ASSEMBLY - R.H.	1
22	1572417	SLEEVE - PILFER & REAR DR. - R.H	2
23	1572321	DEFLECTOR - INNER - R.H.	1
24	1572029	DEFLECTOR - PRODUCT - R.H.	1
25	1572230	FILLER - RIGHT HAND	1
26	1572300	CHANNEL & STUD ASSEMBLY - R.H.	1
27	1572447	CHANNEL ASSEMBLY - 38" - (167, 267, 764)	1
	1582231	CHANNEL ASSEMBLY - 32" - (168, 268, 765, 784, 787)	
28	1572448	GUARD - DELIVERY DOOR - UPPER - 38" (167, 267, 764)	1
	1582232	GUARD - DELIVERY DOOR - UPPER - 32" (168, 268, 765, 784, 787)	
29	1572449	STRIP - THREADED - 38" (167, 267, 764)	2
	1582233	STRIP - THREADED - 32" (168, 268, 765, 784, 787)	



Snack / Refreshment Center 2 Parts Manual

TABLE 37. DELIVERY PAN LATCH MECHANISM - PART 1 OF 2 (FOOD MODULE EQUIPPED MACHINES ONLY)

INDEX	PART NUMBER	DESCRIPTION	QTY.
1	4402027	COVER - LATCH MECHANISM	1
2	1572268	LATCH MOUNTING PLATE ASSEMBLY XREF	1
3	1572265	SPACER - SOLENOID LOCK	2



467p0008

Figure 39. Delivery Pan Latch Mechanism - Part 2 of 2 (Food Module Equipped Machines Only)

Snack / Refreshment Center 2 Parts Manual

TABLE 38. DELIVERY PAN LATCH MECHANISM - PART 2 OF 2 (FOOD MODULE EQUIPPED MACHINES ONLY)

INDEX	PART NUMBER	DESCRIPTION	QTY.
1	9900418	RETAINING RING - REINF "E" TYPE - .187	3
2	4402022	PIN - LATCH	1
3	4302316	FASTENER - TWIN TYPE	2
4	1572264	BRACKET - SWITCH MOUNTING	1
5	4302319	SWITCH - LEVER - 1 7/8	2
6	1217160	4-40 X 5/8 RMS M SCREW Z/Y	4
7	9900081	NUT - #8-32 KEPS Z/P	2
8	1127808	SPRING - SHELF RESET	1
9	4402047	LINK - SOLENOID	1
10	4402023	LATCH AND STUD ASSEMBLY	1
11	4252030	SOLENOID - 24 VDC	1
12	9900098	COTTER PIN - 3/32 X 3/4 INCH	1
13	1572266	PLATE AND BRACKET ASSEMBLY	1
14	9900090	SCREW - #6-32 X 3/16 RHS W/LKW	2

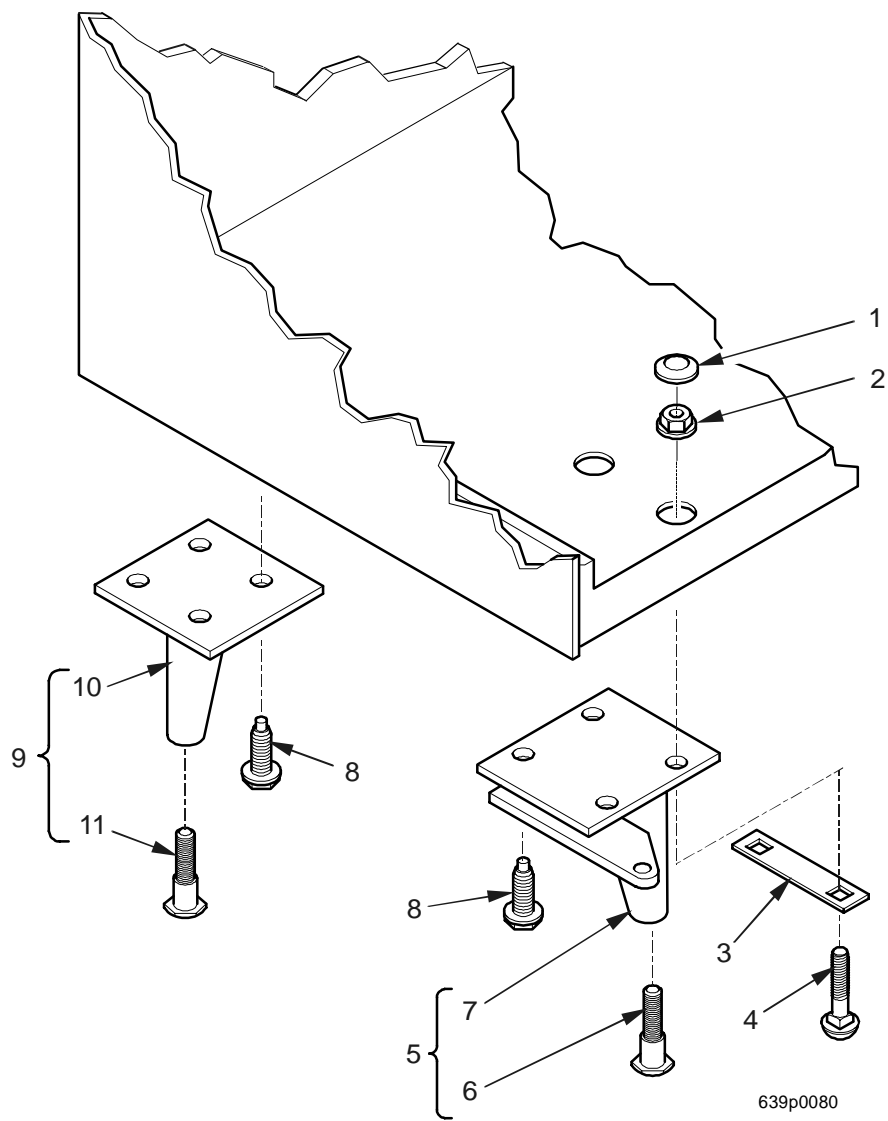


Figure 41. Leg, Leveler, and Leg and Hinge Assemblies

Snack / Refreshment Center 2 Parts Manual

TABLE 42. LEG, LEVELER, AND LEG AND HINGE ASSEMBLIES

INDEX	PART NUMBER	DESCRIPTION	QTY.
1	6231034	PLUG - HOLE (NOT USED IN ALL APPLICATIONS)	2
2	1172021	NUT - 1/4-20 WHIZ-LOCK	2
3	6231203	PLATE - HINGE LEG BOLT	1
4	1211112	TRAY BOLT	2
5	6231163	LEG, HINGE, AND LEVELER ASSEMBLY	1
6	1471098	LEVELER - CABINET	1
7	1571115	LEG AND HINGE ASSEMBLY	1
8	9900218	SCREW - # 5/16 X 1 W/LOCKING RING	14
9	1471237	LEG AND LEVELER ASSEMBLY - CABINET	3
10	1571127	LEG ASSEMBLY - CABINET	1
11	1471098	LEVELER - CABINET	1

Snack / Refreshment Center 2 Parts Manual

**TABLE 40. BAG ASSEMBLY B1570006
(USED ON MODEL 167, 168 - DOMESTIC)**

PART NUMBER	DESCRIPTION	QTY
1472105	PRICE TAGS - GUM & MINT	1
1477015	ROLL - PRICE DOLLARS	2
1477071	PACKAGE ASSEMBLY - PRODUCT PUSHER (10 EA.)	1
1477083	RETAINER - SPIRAL - WALL	10
1570064	LIST - BAG ASSEMBLY B1570006 - CONTENT	1
1570071	DOCUMENTATION PACKAGE	1
1570086	WIRING DIAGRAM PKG - 115V DOM.	1
1577047	LABEL - ITEM LETTERS - A0 - A9	1
1577048	LABEL - ITEM LETTERS - B0 - B9	1
1577049	LABEL - ITEM LETTERS - C0 - C9	1
1577050	LABEL - ITEM LETTERS - D0 - D9	1
1577051	LABEL - ITEM LETTERS - E0 - E9	1
1577052	LABEL - ITEM LETTERS - F0 - F9	1

**TABLE 41. BAG ASSEMBLY B1570007
(USED ON MODELS 167/168 - UNITED KINGDOM)**

PART NUMBER	DESCRIPTION	QTY
1472273	PRICE ROLL - UK - 1L/10L, 40P/95P	5
1472274	PRICE ROLL - UK - 1L/10L, 8P/35P	40
1477071	PACKAGE ASSEMBLY - PRODUCT PUSHER (10 EA.) (ONLY IF MACHINE IS EQUIPPED WITH CANDY TRAY)	1
1477083	RETAINER - SPIRAL - WALL	10
1570071	DOCUMENTATION PACKAGE	1
1570063	LIST - BAG ASSEMBLY B1570007 - CONTENT	1
1570084	WIRING DIAGRAM PACKAGE - 220/240V EXEC	1
1572205	ROLL - PRICE - UK - 36P TO 62P + FREE	10
1572206	ROLL - PRICE - UK - 63P TO 90P	5
1577061	LABEL - ITEM LETTERS - A0 - A9 - U.K.	1
1577062	LABEL - ITEM LETTERS - B0 - B9 - U.K.	1
1577063	LABEL - ITEM LETTERS - C0 - C9 - U.K.	1
1577064	LABEL - ITEM LETTERS - D0 - D9 - U.K.	1
1577065	LABEL - ITEM LETTERS - E0 - E9 - U.K.	1
1577066	LABEL - ITEM LETTERS - F0 - F9 - U.K.	1
1577067	LABEL - ITEM LETTERS - G0 - G9 - U.K.	1

Snack / Refreshment Center 2 Parts Manual

**TABLE 42. BAG ASSEMBLY B1570003
(USED ON MODELS 167/168 - FRENCH & GERMAN)**

PART NUMBER	DESCRIPTION	QTY
1477071	PACKAGE ASSEMBLY - PRODUCT PUSHER (ONLY IF MACHINE IS EQUIPPED WITH CANDY TRAY)	-
1477083	RETAINER - SPIRAL WALL	10
1477123	PRICE ROLL - 0 TO 25 - U.K., GER, FR)	40
1570067	LIST - BAG ASSY B1570003 - CONTENT	1
1570071	DOCUMENTATION PKG.	1
1570084	W.D. PKG. - 220/240V EXEC	1
1577047	LABEL - ITEM LETTERS - A0 - A9	1
1577048	LABEL - ITEM LETTERS - B0 - B9	1
1577049	LABEL - ITEM LETTERS - C0 - C9	1
1577050	LABEL - ITEM LETTERS - D0 - D9	1
1577051	LABEL - ITEM LETTERS - E0 - E9	1
1577052	LABEL - ITEM LETTERS - F0 - F9	1

**TABLE 43. BAG ASSEMBLY B2570002 - DOMESTIC
(USED ON MODELS 267, 268)**

PART NUMBER	DESCRIPTION	QTY
1472105	PRICE TAGS - GUM & MINT	1
1477015	ROLL - PRICE DOLLARS	2
1477071	PACKAGE ASSEMBLY - PRODUCT PUSHER	-
1477083	RETAINER - SPIRAL WALL	10
1570071	DOCUMENTATION PACKAGE	1
1570086	WIRING DIAGRAM PKG - 115V DOM.	1
1577047	LABEL - ITEM LETTERS - A0-A9	1
1577048	LABEL - ITEM LETTERS - B0-B9	1
1577049	LABEL - ITEM LETTERS - C0-C9	1
1577050	LABEL - ITEM LETTERS - D0-D9	1
1577051	LABEL - ITEM LETTERS - E0-E9	1
1577052	LABEL - ITEM LETTERS - F0-F9	1
2570006	LIST - BAG ASSY B2570002 - CONTENT	1

Snack / Refreshment Center 2 Parts Manual

**TABLE 44. BAG ASSEMBLY B4640004 - DOMESTIC
(USED ON MODELS 764, 765)**

PART NUMBER	DESCRIPTION	QTY
1477015	ROLL - PRICE DOLLARS	1
1477083	RETAINER - SPIRAL - WALL	10
1570071	DOCUMENTATION PACKAGE	1
1577047	LABEL - ITEM LETTERS - A0 - A9	1
1570010	LABEL - ITEM LETTERS - B0 - B9	1
1570011	LABEL - ITEM LETTERS - C0 - C9	1
1570012	LABEL - ITEM LETTERS - D0 - D9	1
1570013	LABEL - ITEM LETTERS - E0 - E9	1
1570014	LABEL - ITEM LETTERS - F0 - F9	1
4612001	DECAL - "CHILLED FOR FRESHNESS"	1
4640026	LIST - BAG ASSY B4640004 - CONTENT	1
4640037	WD PACKAGE - 115V - CHILLED - DOM	1

**TABLE 45. BAG ASSEMBLY B4640002
(USED ON MODEL 764, 765 - UNITED KINGDOM ONLY)**

PART NUMBER	DESCRIPTION	QTY
1472273	PRICE ROLL - UK - 1L/10L, 40P/95P	5
1472274	PRICE ROLL - UK - 1L/10L, 8P/35P	40
1477071	PACKAGE ASSEMBLY - PRODUCT PUSHER (10 EA.)	1
1477083	RETAINER - SPIRAL - WALL	10
1570071	DOCUMENTATION PACKAGE	1
1572205	ROLL - PRICE - UK - 36P TO 62P	10
1572206	ROLL - PRICE - UK - 63P TO 90P	5
1577061	LABEL - ITEM LETTERS A0 - A9	1
1577062	LABEL - ITEM LETTERS B0 - B9	1
1577063	LABEL - ITEM LETTERS C0 - C9	1
1577064	LABEL - ITEM LETTERS D0 - D9	1
1577065	LABEL - ITEM LETTERS E0 - E9	1
1577066	LABEL - ITEM LETTERS F0 - F9	1
1577067	LABEL - ITEM LETTERS G0 - G9	1
4612001	DECAL - "CHILLED FOR FRESHNESS"	1
4640024	LIST - BAG ASSY B4640002 - CONTENTS	1
4640035	WIRING DIAGRAM PACKAGE - 220/240V - CHILLED	1

Snack / Refreshment Center 2 Parts Manual

**TABLE 49. BAG ASSEMBLY B4640000
(USED ON MODELS 764, 765 - FRENCH & GERMAN)**

PART NUMBER	DESCRIPTION	QTY
1477071	PACKAGE ASSY - PRODUCT PUSHER (10 EA.)	1
1477083	RETAINER - SPIRAL - WALL	10
1477123	PRICE ROLL - 0 TO 25	42
1570071	DOCUMENTATION PACKAGE	1
1577054	LABEL - ITEM LETTERS A0 - A9	1
1577055	LABEL - ITEM LETTERS B0 - B9	1
1577056	LABEL - ITEM LETTERS C0 - C9	1
1577057	LABEL - ITEM LETTERS D0 - D9	1
1577058	LABEL - ITEM LETTERS E0 - E9	1
1577059	LABEL - ITEM LETTERS F0 - F9	1
1577060	LABEL - ITEM LETTERS G0 - G9	1
4640022	LIST - BAG ASSY B4640000 - CONTENT	1
4640035	WIRING DIAGRAM PKG - 220/240V - CHILLED	1

**TABLE 50. BAG ASSEMBLY B1670002
(USED WITH SMITH'S AUSTRALIA)**

PART NUMBER	DESCRIPTION	QTY
WD167001	WD - 230V SNACK - CHILL/CAN/COFF	1
1477071	PACKAGE ASSEMBLY - PRODUCT PUSHER	
1477083	RETAINER - SPIRAL - WALL	10
1577047	LABEL - ITEM LETTERS - A0 - A9	1
1577048	LABEL - ITEM LETTERS - B0 - B9	1
1577049	LABEL - ITEM LETTERS - C0 - C9	1
1577050	LABEL - ITEM LETTERS - D0 - D9	1
1577051	LABEL - ITEM LETTERS - E0 - E9	1
1577052	LABEL - ITEM LETTERS - F0 - F9	1
1670001	MAIN SNACK SET - UP GUIDE	1
1670023	SMITH'S G&M SETUP GUIDE	1
1670024	SNACK/RC PROGRAMMING GUIDE	1
1670034	LABEL - SUREVEND LOGO - 3.75" WIDE	1
1672059	TAG - PRICE - G&M - 1.20/2.00 SMITH'S	1
9989822	CLIP - TRAY HARNESS	6

Snack / Refreshment Center 2 Parts Manual

**TABLE 47. BAG ASSEMBLY B4840007
(USED ON MODEL 784 WITH CAN DRINK OPTION - 110V)**

PART NUMBER	DESCRIPTION	QTY
1477015	ROLL - PRICE - DOLLARS	12
1477071	PACKAGE ASSY - PRODUCT PUSHER (10 EA.)	1
1477083	RETAINER - SPIRAL - WALL	10
1577047	LABEL - ITEM LETTERS - A0 - A9	1
1577048	LABEL - ITEM LETTERS - B0 - B9	1
1577049	LABEL - ITEM LETTERS - C0 - C9	1
1577050	LABEL - ITEM LETTERS - D0 - D9	1
1577051	LABEL - ITEM LETTERS - E0 - E9	1
1577052	LABEL - ITEM LETTERS - F0 - F9	1
4747091	FLAVOR STRIPS - 10 (INCLUDES 10 STYLE C4 FLAVOR STRIPS)	1
4747097	PROD. ID LBL/FLAVOR STRIP INSTR.	1
4840040	DOCUMENTATION PACKAGE	1
4840048	LIST - BAG ASSY B4840007 - CONTENT	1
4840054	WIRING DIAGRAM PACKAGE - 115V - DOM-CAN	1

Snack / Refreshment Center 2 Parts Manual

**TABLE 48. BAG ASSEMBLY B4840006
(USED ON MODEL 784 WITH REFRIGERATED/FROZEN FOOD OPTION - 110V)**

PART NUMBER	DESCRIPTION	QTY
1477015	ROLL - PRICE DOLLARS	11
1477083	RETAINER - SPIRAL - WALL	10
1577047	LABEL - ITEM LETTERS - A0-A9	1
1577048	LABEL - ITEM LETTERS - B0-B9	1
1577049	LABEL - ITEM LETTERS - C0-C9	1
1577050	LABEL - ITEM LETTERS - D0-D9	1
1577051	LABEL - ITEM LETTERS - E0-E9	1
1577052	LABEL - ITEM LETTERS - F0-F9	1
4407728	LABEL - SOLD OUT	1
4407732	ADAPTOR ASSY - BOXED ITEM (INCLUDES NEXT 5 ITEMS)	1
4407729	ROLLER & SHAFT ASSY - PUSHER	1
2366055	SPEED CLIP COMPRESSION RING	1
4407730	ROLLER - PUSHER MODULE	2
4407731	SHAFT - PUSHER MODULE	2
4407733	INSTR. - ADAPTOR - BOXED ITEM	1
4612001	DECAL - "CHILLED FOR FRESHNESS"	1
4840040	DOCUMENTATION PACKAGE	1
4840047	LIST - BAG ASSY B4840006 - CONTENT	1
4840055	WD PACKAGE - 115V - DOM - FOOD	1

Snack / Refreshment Center 2 Parts Manual

**TABLE 49. BAG ASSEMBLY B4870000
(USED ON MODEL 787 WITH CAN DRINK OPTION - UNITED KINGDOM)**

PART NUMBER	DESCRIPTION	QTY
1472273	PRICE ROLL - UK - IL/10L, 40P/95P	5
1472274	PRICE ROLL - UK - 1L/10L, 8P/35P	32
1477071	PACKAGE ASSEMBLY - PRODUCT PUSHER (10 EA.)	1
1477083	RETAINER - SPIRAL - WALL	10
1572205	ROLL - PRICE - UK - 36P TO 62P + FREE	10
1572206	ROLL - PRICE - UK - 63P TO 90P	5
1577061	LABEL - ITEM LETTERS - A0 - A9 - U.K.	1
1577062	LABEL - ITEM LETTERS - B0 - B9 - U.K.	1
1577063	LABEL - ITEM LETTERS - C0 - C9 - U.K.	1
1577064	LABEL - ITEM LETTERS - D0 - D9 - U.K.	1
1577065	LABEL - ITEM LETTERS - E0 - E9 - U.K.	1
1577066	LABEL - ITEM LETTERS - F0 - F9 - U.K.	1
4612001	DECAL - "CHILLED FOR FRESHNESS"	1
4747091	FLAVOR STRIPS - 10	1
4747097	PROD. ID LABEL/FLAVR STRIP INSTR.	1
4870036	LIST - BAG ASSY B4870000 - CONTENT	1
4870040	DOCUMENTATION PACKAGE	1
4870047	W.D. PACKAGE - 220/240V - EXEC - CAN	1

Snack / Refreshment Center 2 Parts Manual

**TABLE 50. BAG ASSEMBLY B4870007
(USED ON 787 WITH CAN DRINK OPTION - FRANCE & GERMANY)**

PART NUMBER	DESCRIPTION	QTY
1477083	RETAINER - SPIRAL - WALL	10
1477123	PRICE ROLL - 0 - 25 - U.K./GER/FR	32
1577054	LABEL - ITEM LETTERS A0 - A9 - GER.	1
1577055	LABEL - ITEM LETTERS A0 - A9 - GER.	1
1577056	LABEL - ITEM LETTERS A0 - A9 - GER.	1
1577057	LABEL - ITEM LETTERS A0 - A9 - GER.	1
1577058	LABEL - ITEM LETTERS A0 - A9 - GER.	1
1577059	LABEL - ITEM LETTERS A0 - A9 - GER.	1
4747091	FLAVOR STRIPS - 10	1
4747072	COCA-COLA CLASSIC - STYLE C4	1
4747073	FLAVOR ID STRIP PEPSI COLA C4	1
4747074	DIET COCA-COLA - STYLE C4	1
4747075	DR. PEPPER - STYLE C4	1
4747076	DIET PEPSI-COLA - STYLE C4	1
4747077	FLAVOR ID STRIP 7-UP - STYLE C4	1
4747078	CAFFEINE FREE DIET COCA-COLA	1
4747079	A & W ROOT BEER - STYLE C4	1
4747080	SUNKIST ORANGE - STYLE C4	1
4747081	DIET SPRITE - STYLE C4	1
4747097	PROD. ID LBL / FLAVR STRIP INSTR.	1
4870040	DOCUMENTATION PACKAGE	1
4870044	LIST - BAG ASSY B4870007 - CONTENT	1
4870047	WIRING DIAGRAM PACKAGE - 220/240V - EXEC - CAN	1

Snack / Refreshment Center 2 Parts Manual

**TABLE 51. BAG ASSEMBLY B4870001
(USED ON 787 WITH FROZEN/REFRIGERATED FOOD MODULES - UNITED KINGDOM)**

PART NUMBER	DESCRIPTION	QTY
1472273	PRICE ROLL - UK - IL/10L, 40P/95P	5
1472274	PRICE ROLL - UK - 1L/10L, 8P/35P	32
1477071	PACKAGE ASSEMBLY - PRODUCT PUSHER (10 EA.)	1
1477083	RETAINER - SPIRAL - WALL	10
1572205	ROLL - PRICE - UK - 36P TO 62P + FREE	10
1572206	ROLL - PRICE - UK - 63P TO 90 P	5
1577061	LABEL - ITEM LETTERS - A0 - A9 - U.K.	1
1577062	LABEL - ITEM LETTERS - B0 - B9 - U.K.	1
1577063	LABEL - ITEM LETTERS - C0 - C9 - U.K.	1
1577064	LABEL - ITEM LETTERS - D0 - D9 - U.K.	1
1577065	LABEL - ITEM LETTERS - E0 - E9 - U.K.	1
1577066	LABEL - ITEM LETTERS - F0 - F9 - U.K.	1
4407728	LABEL - SOLD OUT	1
4612001	DECAL - "CHILLED FOR FRESHNESS"	1
4870037	LIST - BAG ASSY B4870001 - CONTENT	1
4870040	DOCUMENTATION PACKAGE	1
4870048	WIRING DIAGRAM PACKAGE - 220/240V - EXEC - FOOD	1

Snack / Refreshment Center 2 Parts Manual

**TABLE 52. BAG ASSEMBLY B4870008
(USED ON 787 WITH FROZEN/REFRIGERATED FOOD MODULES - FRANCE & GERMANY)**

PART NUMBER	DESCRIPTION	QTY
1477014	ROLL - PRICE CENTS	12
1477083	RETAINER - SPIRAL WALL	10
1477123	PRICE ROLL - 0 TO 25 - U.K./GER/FR	36
1577054	LABEL - ITEM LETTERS A0 - A9- GER.	1
1577055	LABEL - ITEM LETTERS B0 - B9- GER.	1
1577056	LABEL - ITEM LETTERS C0 - C9- GER.	1
1577057	LABEL - ITEM LETTERS D0 - D9- GER.	1
1577058	LABEL - ITEM LETTERS E0 - E9- GER.	1
1577059	LABEL - ITEM LETTERS F0 - F9- GER.	1
4777801	LABEL - SOLD OUT - GER.	1
4777803	LABEL - SOLD OUT - FRENCH	1
4870040	DOCUMENTATION PACKAGE	1
4870045	LIST - BAG ASSY B4870008 - CONTENT	1
4870048	WIRING DIAGRAM PACKAGE - 220/240V - EXEC - FOOD	1

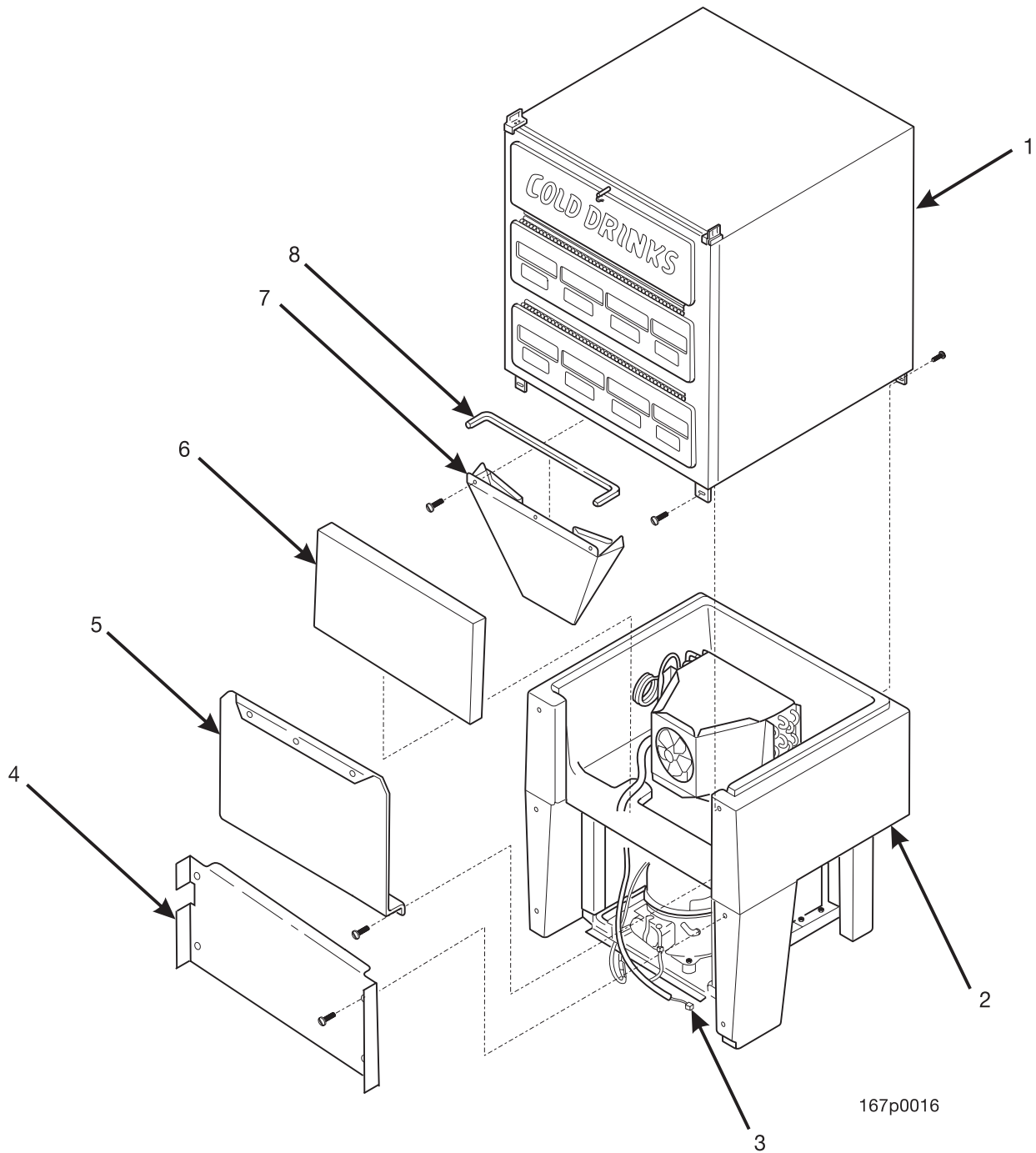


Figure 54. Can and Refrigeration Module

Snack / Refreshment Center 2 Parts Manual

TABLE 53. CAN AND REFRIGERATION MODULE

INDEX	PART NUMBER	DESCRIPTION	QTY
1	4847001	CAN MODULE ASSEMBLY - 8 SELECT (110V)	1
	4877000	CAN MODULE ASSEMBLY - 8 SELECT (220V)	
	4847029	CAN MODULE ASSEMBLY - 6 SELECT (AUSTRALIA)	
2	4844005	REFRIGERATION MODULE ASSEMBLY - FINAL - R134A -CAN (110V)	1
	4874049	REFRIG. MOD. - CAN - FOR. - DANFOSS (220V)	
3	4849025	HARNESS - CAN/CHILLER COMPRESSOR	1
4	1581028	COVER & SEAL ASSEMBLY - COMPRESSOR (MODEL 784) (SHOWN)	1
	4681020	COVER & SEAL ASSEMBLY - COMPRESSOR (MODEL 787) (NOT SHOWN)	
5	4744042	DOOR - RETAINER	1
6	4744027	DOOR - REFRIGERATION MODULE	1
7	4744024	DUCT ASSEMBLY - AIR DISTRIBUTION	1
8	4744028	GASKET - DUCT DISTRIBUTION	1

THE FOLLOWING IS AVAILABLE AS AN ASSEMBLY

4744023	DUCT & GASKET ASSEMBLY (INCLUDES INDEX NUMBERS 7 & 8)
---------	---

Snack / Refreshment Center 2 Parts Manual

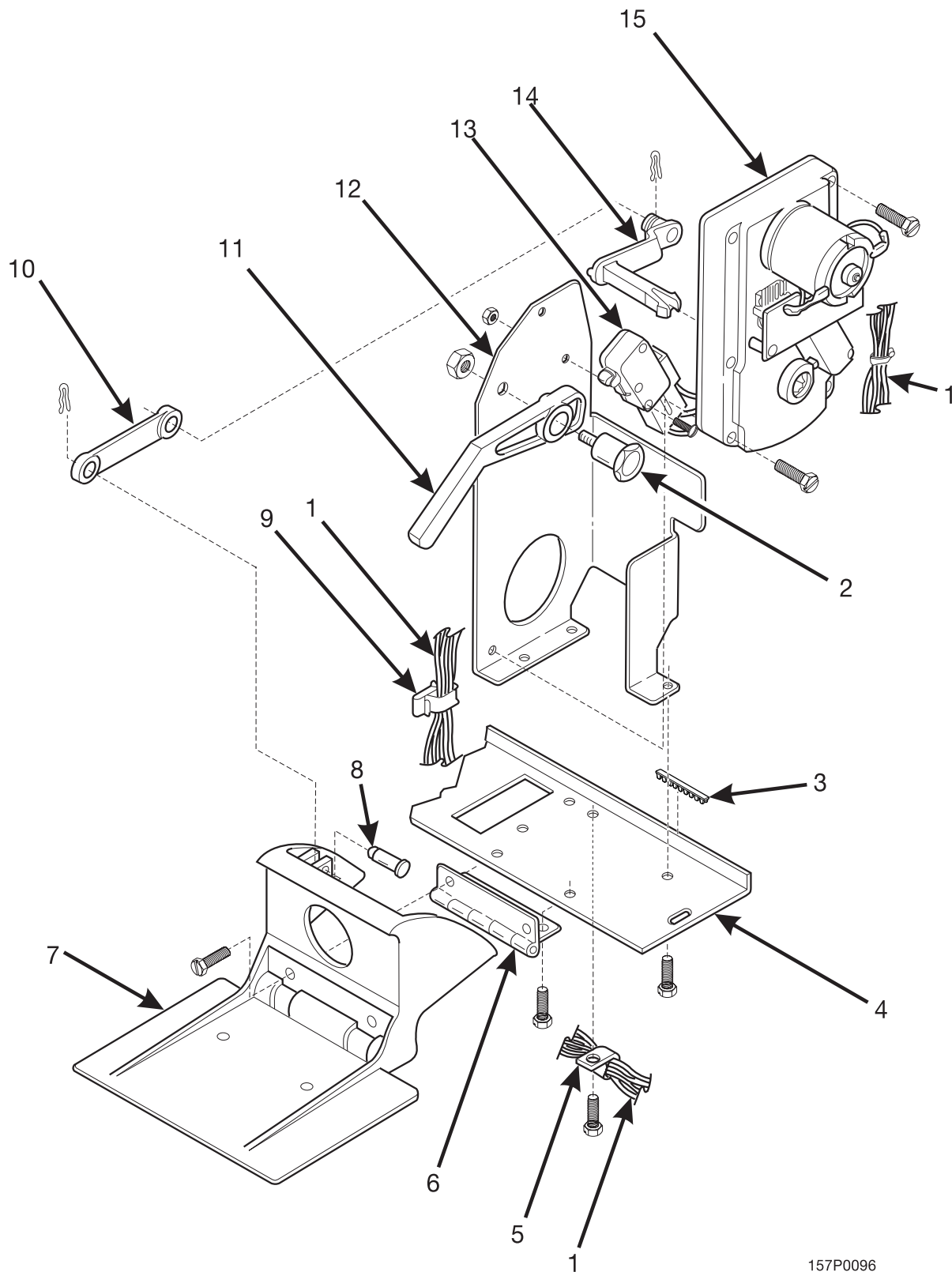
TABLE 57. REFRIGERATION MODULE ASSEMBLY - CAN (110V) - NO CHILL

PART NUMBER	DESCRIPTION	QTY
4844005	REFRIGERATION MODULE ASSEMBLY FINAL - R134A -CAN	1
4744045	SHROUD - EVAPORATOR FAN	1
4724124	FAN - EVAPORATOR	1
4744020	SHROUD - TOP	1
4119013	PROBE - TEMPERATURE SENSOR	1
4774013	BUSHING - OPEN/CLOSED - .38	1
4744030	PLATE - TEMPERATURE SENSOR	1
4744017	GASKET - REFRIGERATION MODULE	1
4844026	EVAPORATOR AND TUBE ASSEMBLY - TECUMSEH	1
3128063	DRAIN - WATER BATH	1
4744002	HOUSING - REFRIGERATION MODULE	1
4644008	TRIAC & SUPPORT ASSEMBLY - CAN/CHILL	1
3608149	BLADE - CONDENSER FAN FV-700CW20P	1
4043121	SILENCER - FAN - MORRIL S-5847-1	1
4744112	MOTOR - CONDENSER FAN	1
4744009	BRACKET - CONDENSER MOTOR	1
1140351	WASHER - STEEL 3/4 X .264 X .090	4
4724070	SLEEVE - 23/32" LENGTH	4
4724066	GROMMET - 11/16 HIGH	4
4844002	BASE & STUD ASSEMBLY - CONDENSER	1
4304192	LABEL - R134A - SMALL	1
4744022	PAN - CONDENSATE	1
4744108	COMPRESSOR - AZ0370Y - R134A	1
4043082	CLIP - SPEED DART STYLE	4
3608146	SHROUD - CONDENSER FAN	1
4744109	CONDENSER - W/PROCESS TUBE	1
4849025	HARNESS - CAN/CHILLER COMPRESSOR	1
2204513	WIRE TIE #PLT 1.5IM (NOT SHOWN)	1
4301152	DRAIN - CONDENSATE	1
1140351	WASHER - STEEL 3/4 X .264 X .090	2
4614107	BOLT - .250-20 X 1.75 - HEX HD.	-

Snack / Refreshment Center 2 Parts Manual

TABLE 58. REFRIGERATION MODULE ASSEMBLY - CAN (230 V) - CHILLED

PART NUMBER	DESCRIPTION	QTY
4874049	REFRIG. MOD - CAN - FOR. - DANFOSS	1
4774007	COVER - AIR DUCT	1
4874002	FAN - EVAPORATOR - 230VAC	1
4774045	MOUNTING BRACKET - FAN	1
4874043	EVAP. ASSY - SNACK/CAN - DANFOSS	1
4774003	DIVIDER WALL - AIR DUCT	1
4744069	GASKET - EVAP. FAN SHROUD	1
4844001	FAN - EVAPORATOR - 230V	1
4774004	SHROUD - EVAPORATOR FAN	1
4774046	WALL - AIR DUCT	1
4744101	HOUSING - REFRIG. MODULE	1
4644008	TRIAC & SUPPORT ASSY - CHILL/CAN	1
4644029	PAN - CONDENSATE	1
4304216	GROMMET & SLEEVE PACKAGE (4 EACH)	1
4304058	CORD - RELIEF	1
4304211	COMPRESSOR - 220V - R134A - DANFOSS	1
9988902	CAPACITOR - START - 80 MFD - 220/250V	1
4304214	RELAY - STARTING	1
4304057	COVER	1
4774105	BASE & STUD ASSEMBLY - COND.	1
4744009	BRACKET - CONDENSER MOTOR	1
4774122	MOTOR - CONDENSER FAN - 230V	1
4774026	SHROUD - CONDENSER FAN	1
4774027	BLADE - CONDENSER FAN	1
3634002	CONDENSER	1
4641074	COVER & SEAL ASSY - REFRIG. HOUSING	2
4119013	PROBE - TEMPERATURE SENSOR	1
4301152	DRAIN - CONDENSATE	1
4774002	DIVIDER - EVAPORATOR	1
4744031	SEAL - .50 X .50 INCH	1
4774008	GASKET - AIR DUCT COVER	1



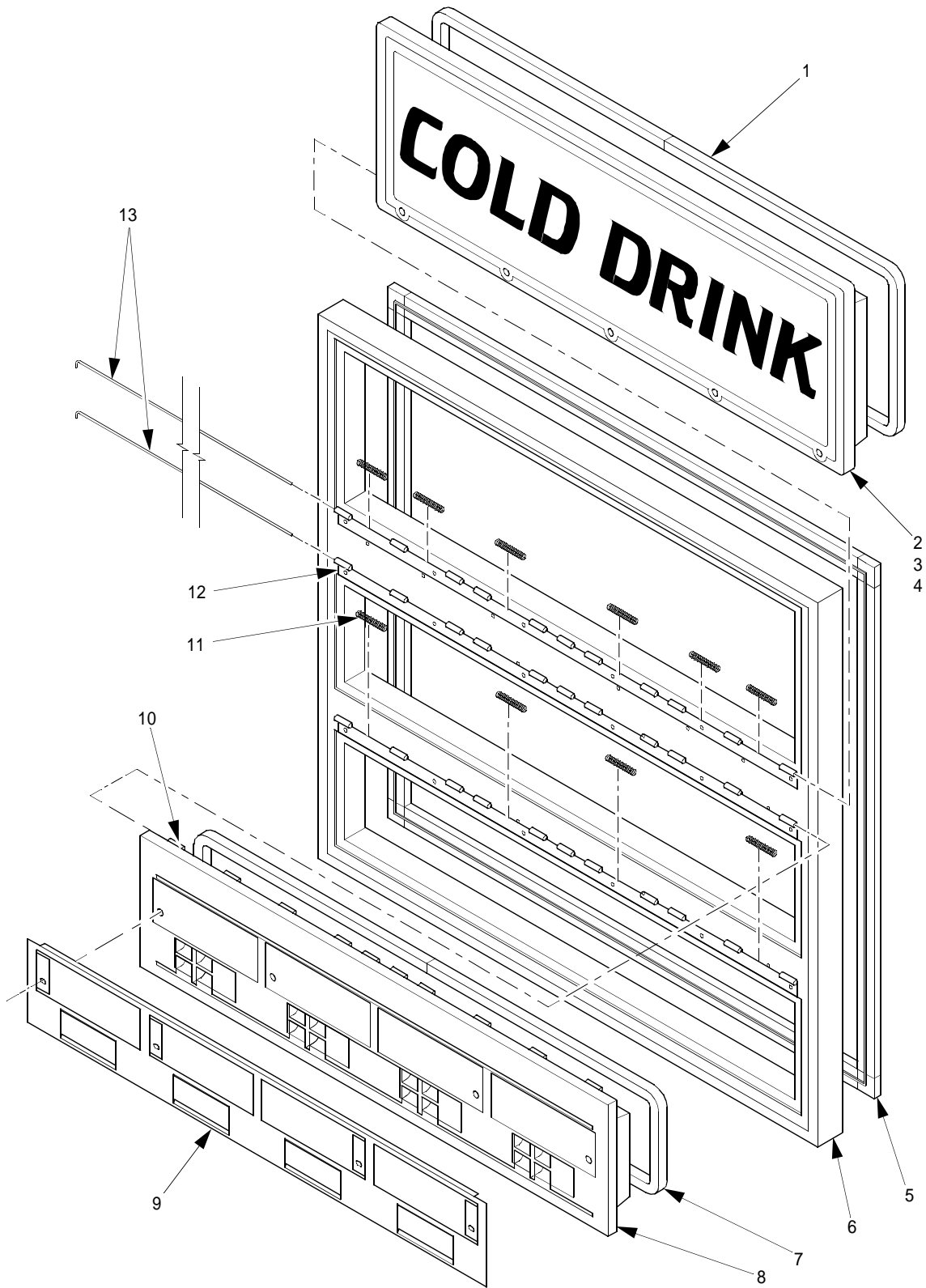
157P0096

Figure 57. Motor and Ejector Mounting Channel Assembly

Snack / Refreshment Center 2 Parts Manual

TABLE 56. MOTOR AND EJECTOR MOUNTING CHANNEL ASSEMBLY

INDEX	PART NUMBER	DESCRIPTION	QTY
-	4847002	MOUNTING CHANNEL ASSEMBLY - MOTOR AND EJECTOR	-
1	4849028	HARNESS - CAM EJECTORS	1
	4849029	HARNESS - CAM EJECTORS (AUSTRALIA)	
2	1457099	STUD - TRAY ROLLER	4
3	4712002	EDGING - NYLON - LONG - 1.0"	4
4	4747029	CHANNEL - MOTOR AND EJECTOR MOUNTING	1
	4847036	CHANNEL - MOTOR AND EJECTOR MOUNTING (AUSTRALIA)	
5	2342315	CLIP - WIRE HARNESS	8
6	4747038	HINGE - EJECTOR	1
7	4747606	CAM - EJECTOR	1
8	4747031	PIVOT PIN - EJECTOR CAM	4
9	1212159	CLIP - WIRE	1
10	4747030	ARM - EJECTOR DRIVE	4
11	4747036	SWITCH - ACTUATOR - SOLD OUT	1
12	4747034	BRACKET - MOTOR MOUNTING	1
13	2366091	SWITCH - ROLLER - LEVER	1
14	4747035	CAM - EJECTOR DRIVE	1
15	1577035	PCB AND MOTOR ASSEMBLY	1



490p0039

Figure 58. Can Unit Frame Assembly

Snack / Refreshment Center 2 Parts Manual

TABLE 57. CAN UNIT FRAME ASSEMBLY

INDEX	PART NUMBER	DESCRIPTION	QTY
-	4747065	FRAME ASSEMBLY - 8 SELECT	-
1	4747014	GASKET - LOADING DOOR	1
2	4747133	DOOR - LOADING	1
3	7847004	HINGE - DOOR	1
4	4727145	LABEL - LOADING DIAGRAM	1
5	4747003	GASKET - FRAME - 8 SELECT	1
6	4747127	FRAME - CAN MODULE - 8 SEL.	1
7	4747009	GASKET - DELIVERY DOOR	2
8	4747134	DOOR - DELIVERY	2
9	4747111	RETAINER - LABEL	2
10	7847004	HINGE - DOOR	2
11	4747064	SPRING - DOOR RETURN	14
12	7847003	HINGE - DELIVERY DOOR	3
13	4747135	PIN - HINGE	3

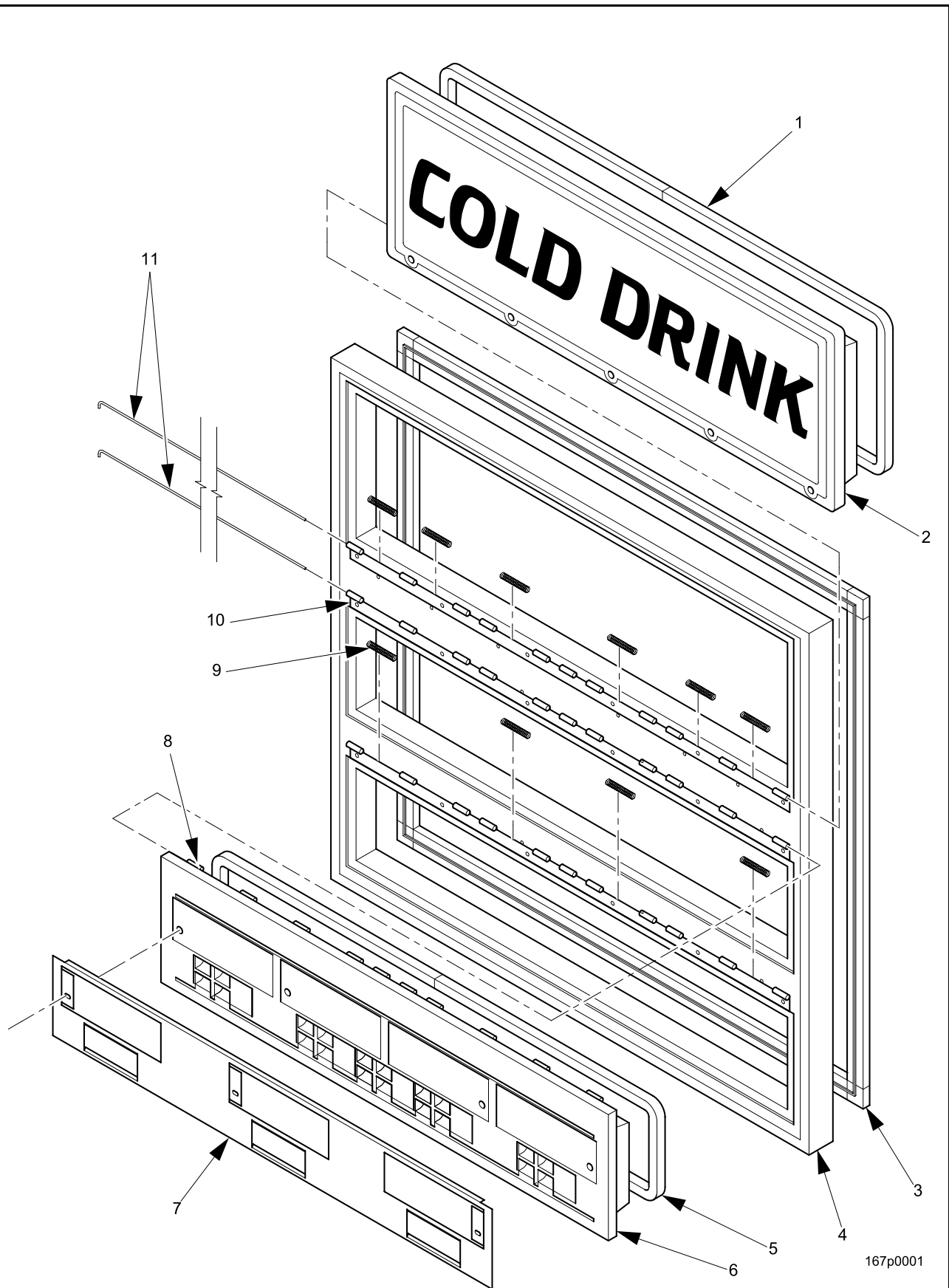
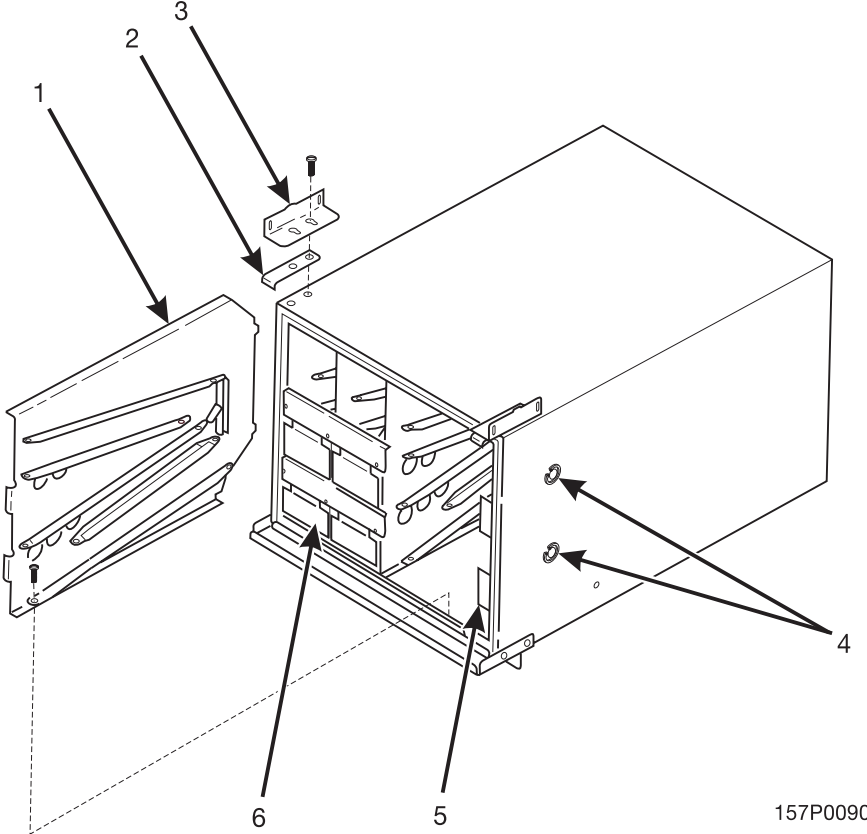


Figure 59. Can Unit Frame Assembly (Australia)

Snack / Refreshment Center 2 Parts Manual

TABLE 58. CAN UNIT FRAME ASSEMBLY (AUSTRALIA)

INDEX	PART NUMBER	DESCRIPTION	QTY
-	4847031	FRAME ASSEMBLY - 6 SELECT - AUSTRALIA	-
1	4747014	GASKET - LOADING DOOR	1
2	4747133	DOOR - LOADING	1
3	4747003	GASKET - FRAME - 8 SELECT	1
4	4747127	FRAME - CAN MODULE - 8 SEL.	1
5	4747009	GASKET - DELIVERY DOOR	2
6	4847033	DOOR - DELIVERY - AUSTRALIA	2
7	4847034	RETAINER - LABEL - AUSTRALIA	2
8	7847004	HINGE - DOOR	3
9	4747064	SPRING - DOOR RETURN	14
10	7847003	HINGE - DELIVERY DOOR	3
11	4747135	PIN - HINGE	3



157P0090

Figure 60. Can Compartment Assembly

Snack / Refreshment Center 2 Parts Manual

TABLE 59. CAN COMPARTMENT ASSEMBLY

INDEX	PART NUMBER	DESCRIPTION	QTY
-	4747001	CAN MODULE ASSEMBLY - 8 SELECT (784)	-
-	4877000	CAN MODULE ASSEMBLY - 8 SELECT (787)	-
1	4747110	DIVIDER AND RAIL ASSEMBLY	3
2	4747089	RETAINER - FRAME - UPPER	2
3	4741022	RETAINER - CAN MODULE	2
4	4747042	BUSHING - OPEN/CLOSED	4
5	4747044	ANGLE - EJECTOR MOUNTING CHANNEL	4
6	4847002	MOTOR & EJECT MTG. CHANNEL ASSY. (SEE FIGURE 57 FOR DETAILS)	2

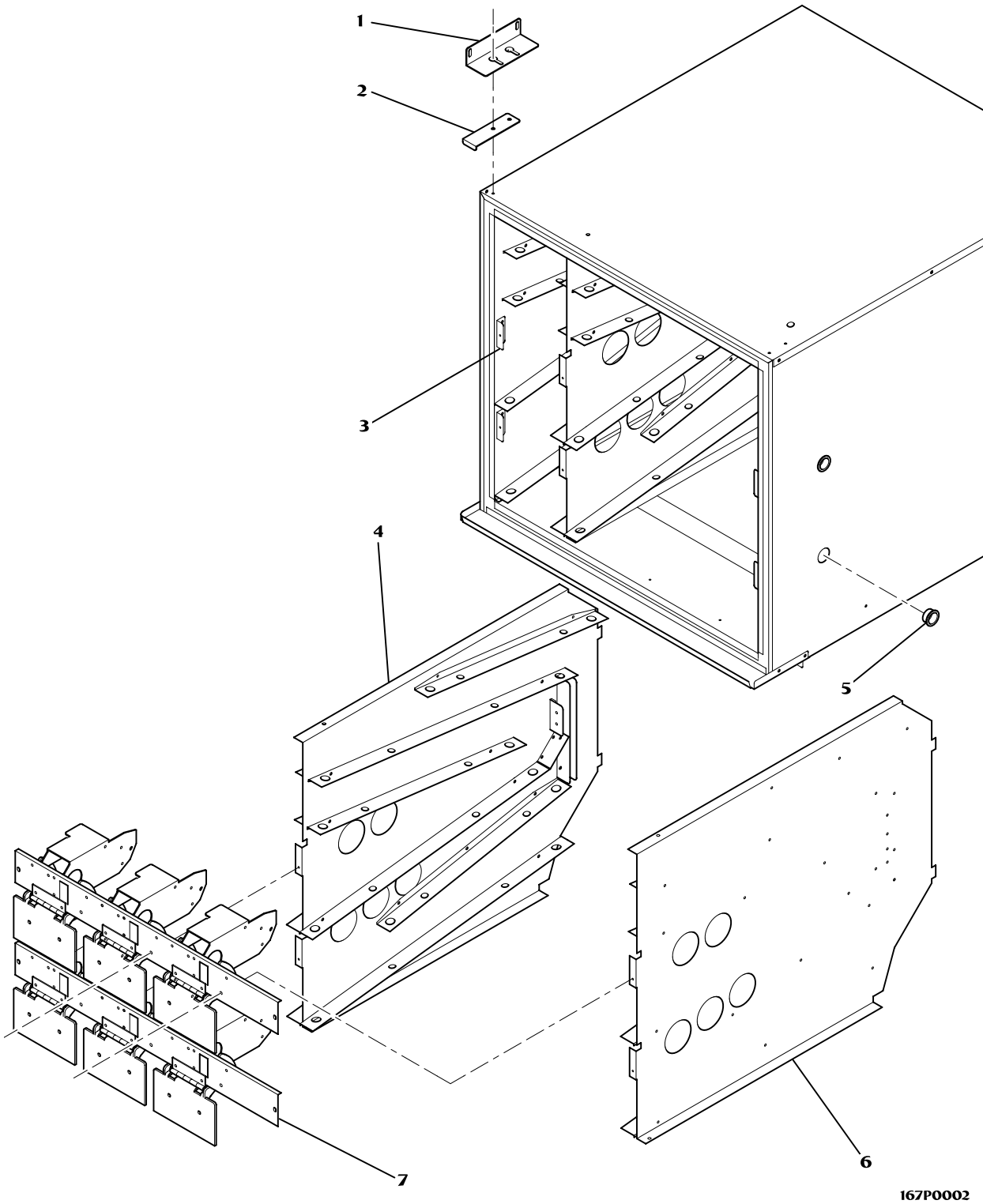


Figure 61. Can Compartment Assembly (Australia)

Snack / Refreshment Center 2 Parts Manual

TABLE 60. CAN COMPARTMENT ASSEMBLY (AUSTRALIA)

INDEX	PART NUMBER	DESCRIPTION	QTY
-	4847029	CAN MODULE ASSEMBLY - 6 SELECT - AUSTRALIA	-
4	4747110	DIVIDER AND RAIL ASSEMBLY	3
2	4747089	RETAINER - FRAME - UPPER	2
1	4741022	RETAINER - CAN MODULE	2
5	4747042	BUSHING - OPEN/CLOSED	4
3	4747044	ANGLE - EJECTOR MOUNTING CHANNEL	4
7	4847035	MOTOR & EJECTOR MOUNTING CHANNEL ASSEMBLY - AUSTRALIA (SEE FIGURE 57 FOR DETAILS)	2
6	4847042	DIVIDER AND RAIL ASSEMBLY - AUSTRALIA	2

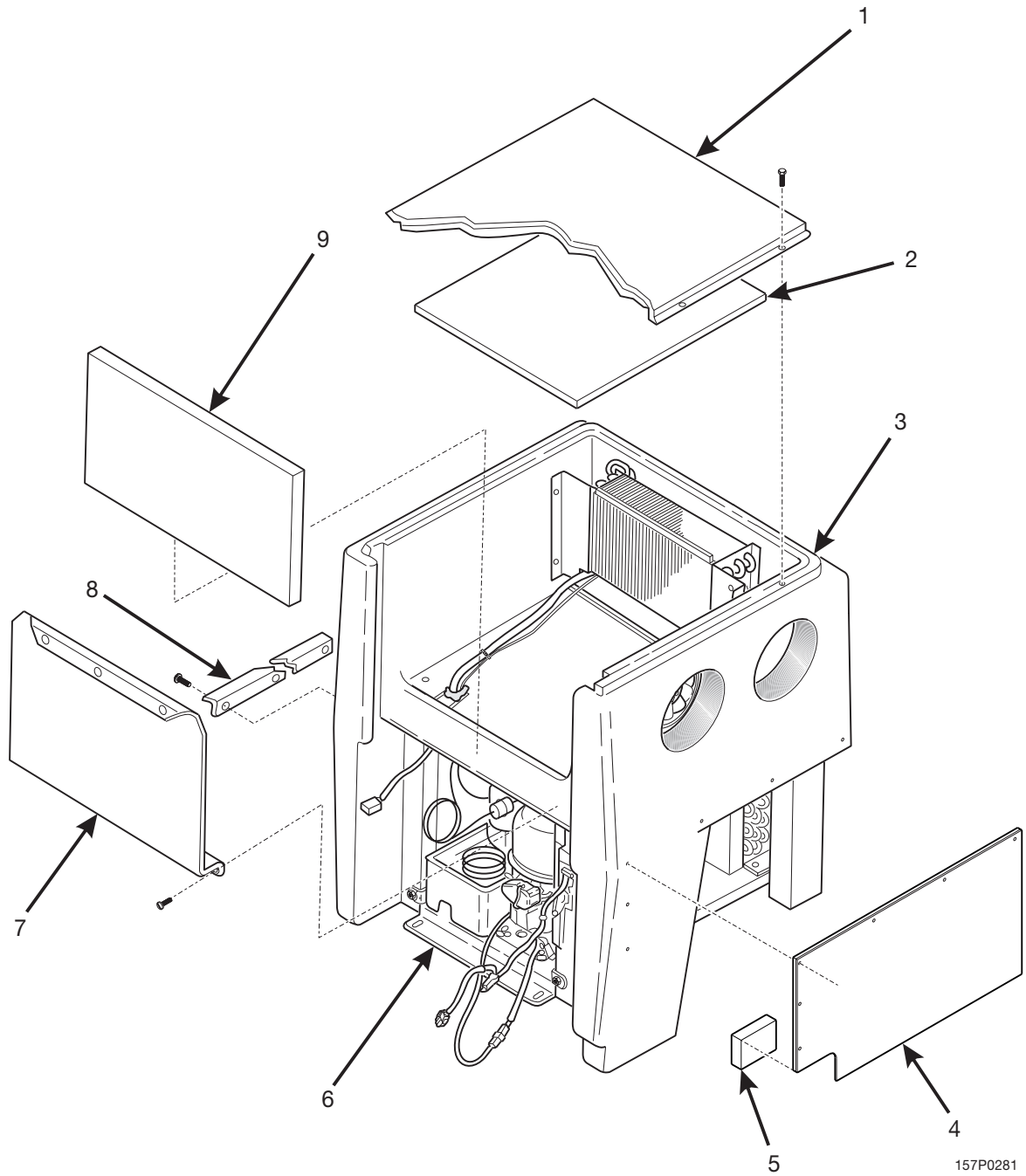


Figure 62. Refrigeration Module - Chilled Snack

Snack / Refreshment Center 2 Parts Manual

TABLE 61. REFRIGERATION MODULE - CHILLED SNACK

INDEX	PART NUMBER	DESCRIPTION	QTY
1	4614080	COVER - REFRIGERATION MODULE HOUSING	1
-	4727144	SCREW - #8-18 X .62 HEX HEAD	9
2	4614118	INSULATION - REFRIGERATION MODULE	1
3	461417	HOUSING - REFRIGERATION MODULE	1
4	4641074	COVER AND SEAL ASSEMBLY - REFRIGERATION HOUSING	2
5	4641075	GASKET - COVER - REFRIGERATION HOUSING	2
6	4644000	REFRIGERATION UNIT (110 V) (SEE TABLE 63 FOR DETAILS)	1
	4644033	REFRIGERATION UNIT - INTERNATIONAL - DANFOSS (230 V)	
7	4744042	DOOR RETAINER	1
-	4727144	SCREW - #8-18 X .62 HEX HEAD	3
8	4614047	SUPPORT - INSULATION (764 ONLY)	1
-	4727144	SCREW - #8-18 X .62 HEX HEAD	3
9	4744027	DOOR - REFRIGERATION MODULE	1

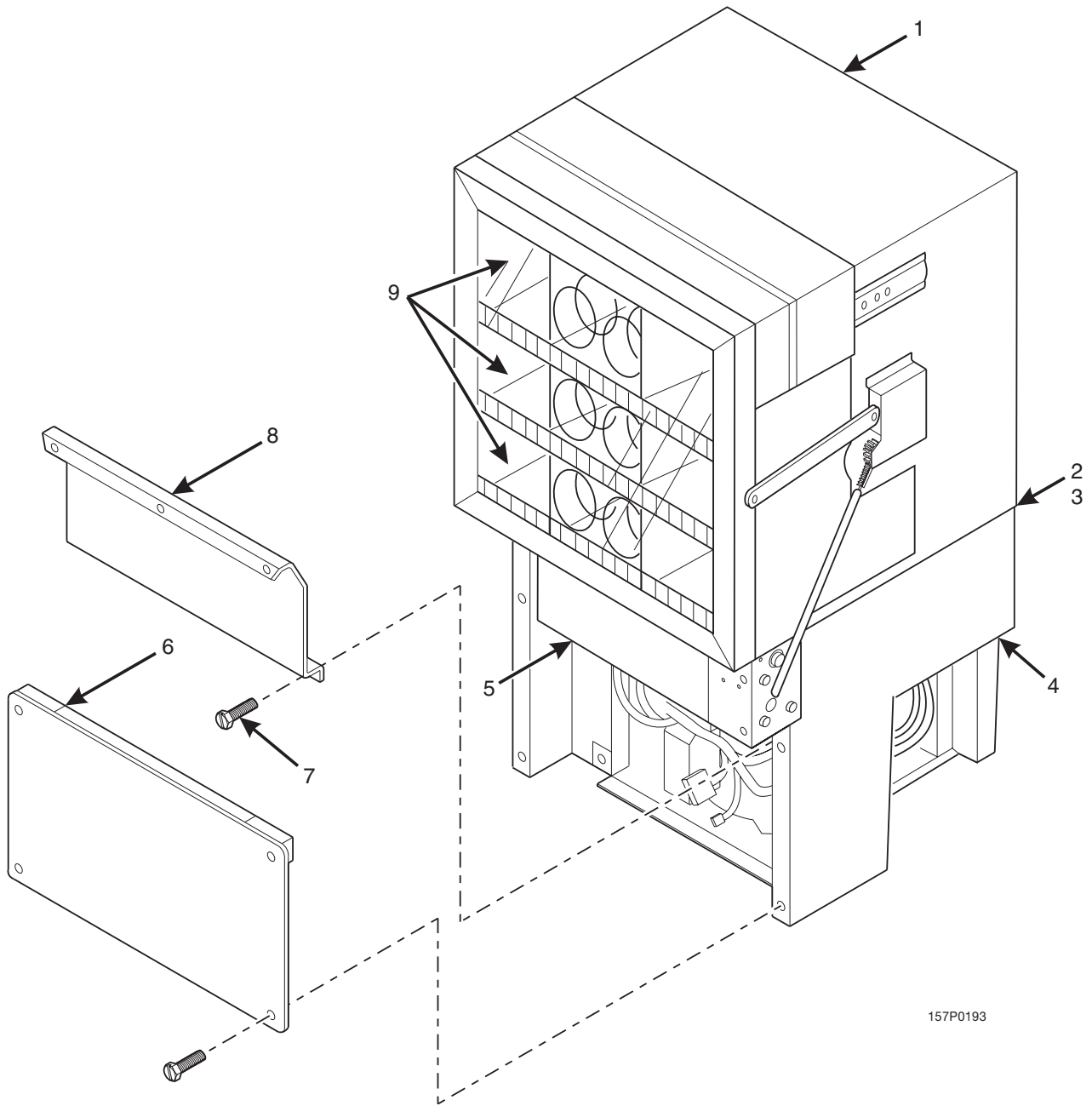
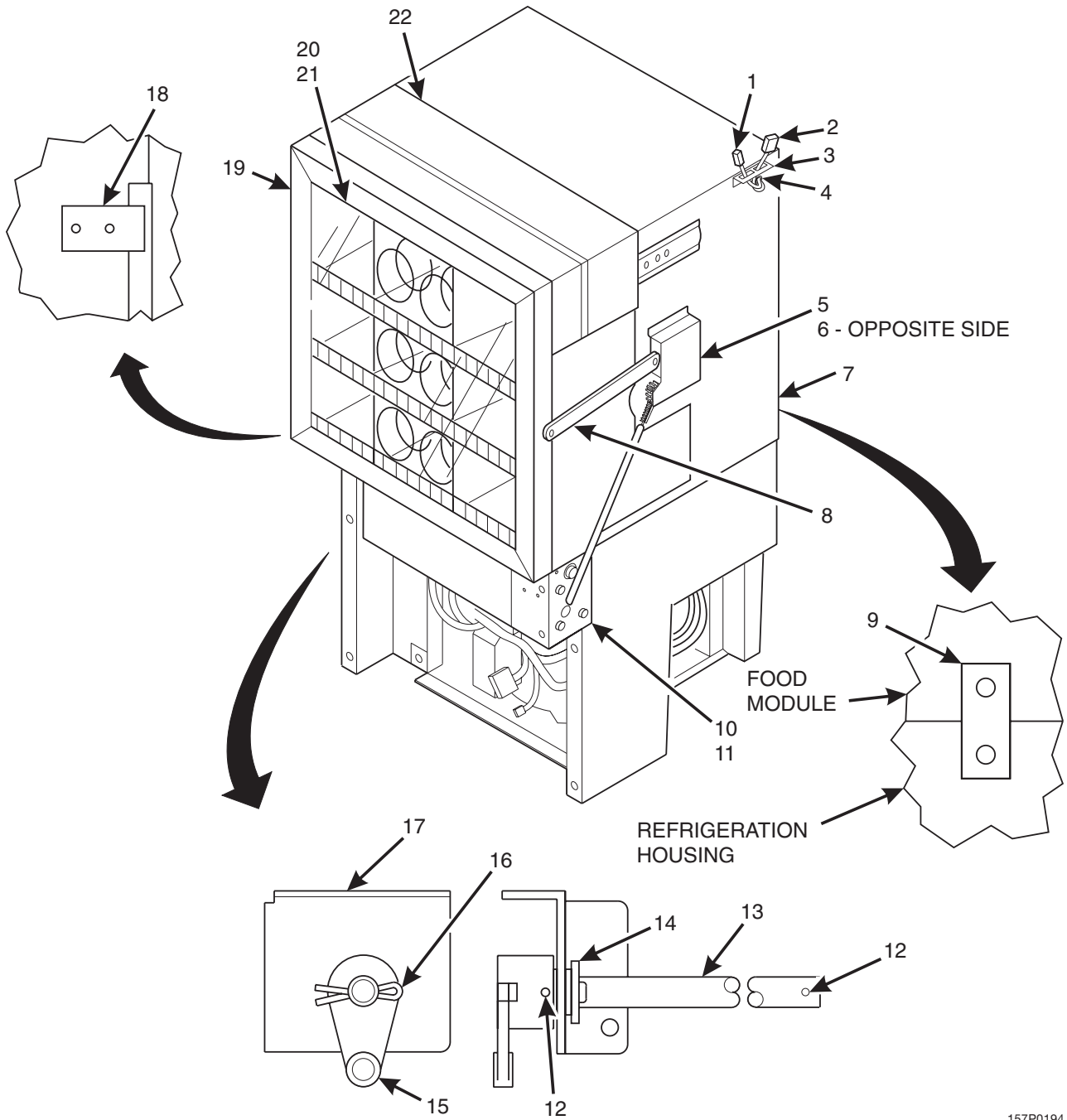


Figure 63. Refrigerated Food Module and Housing Assembly

Snack / Refreshment Center 2 Parts Manual

TABLE 62. REFRIGERATED FOOD MODULE AND HOUSING ASSEMBLY

INDEX	PART NUMBER	DESCRIPTION	QTY
1	4847005	REFRIGERATED FOOD MODULE ASSEMBLY - 110V	1
	4847018	REFRIGERATED FOOD MODULE ASSEMBLY - 220V	
2	4404013	GASKET - REFRIGERATED MODULE - OUTSIDE	1
3	4744017	GASKET - REFRIGERATED MODULE	1
4	4844007	REFRIGERATION MODULE ASSEMBLY - 110V	1
	4874050	REFRIGERATION MODULE ASSEMBLY - DANFOSS (230V)	
5	4744027	DOOR - REFRIGERATION MODULE	1
6	1581028	COVER & SEAL ASSY - COMPRESSOR (MODEL 784 -SHOWN)	1
	4681020	COVER & SEAL ASSY - COMPRESSOR (MODEL 787 -NOT SHOWN)	
7	4727144	SCREW - #8-18X.62 HEX HEAD	6
8	4744042	DOOR - RETAINER	1
9	-	TRAY ASSEMBLIES (SEE FIGURE 70 FOR DETAILS)	3



157P0194

Figure 64. Major Components - Refrigerated Food Module

Snack / Refreshment Center 2 Parts Manual

TABLE 63. MAJOR COMPONENTS - REFRIGERATED FOOD MODULE

INDEX	PART NUMBER	DESCRIPTION	QTY
1	4119013	PROBE - TEMPERATURE SENSOR	1
2	4407009	JUMPER - CHANNEL PCB - FOOD MODULE	1
3	4407002	BRACKET - CABLE PLUG	1
-	4721035	SCREW - #8-18 X .38 - LGM	2
4	3502097	BUSHING #OCB - 500	1
5	4407069	DRIVE ARM ASSEMBLY - R.H. (SEE FIGURE XX FOR DETAILS)	1
-	9900425	RETAINING RING REINF E TYP. 312	1
-	1451097	SCREW - #8-32 X .31 HEX HD. TF - BLK	5
6	4407052	DRIVE ARM ASSEMBLY - L.H. (SEE FIGURE 75 FOR DETAILS)	1
-	9900425	SCREW - RETAINING RING REINF. E TYP. 250	1
-	1451097	SCREW - #8-32 X .31 HEX HD. TF-BLK.	-
7	4407026	HOUSING & LINER ASSEMBLY - FOOD MODULE	1
8	9900431	RETAINING RING REINF. E TYP. 312	1
9	4747062	MOUNTING STRAP - CAN MODULE	1
-	4721035	SCREW - #8-18 X .38 - LGM	-
-	4727144	SCREW - #8-18 X .62 HEX HEAD	-
10	4407077	MOTOR MOUNTING BRACKET ASSEMBLY (SEE FIGURE 77 FOR DETAILS)	1
-	4721035	SCREW - #8-18 X .38 - LGM	3
-	4727144	SCREW - #8-18 X .62 HEX HEAD	1
11	4747725	COVER - MOTOR ASSEMBLY	1
-	1451097	SCREW - #8-32 X .31 HEX HD. TF-BLK	5
-	4407086	DRIVE SHAFT ASSEMBLY (INCLUDES INDEX #'S 12 - 17)	1
12	3127034	ROLL PIN 1/8 X 13/16	2
13	4407087	SHAFT - DRIVE	1
14	4047012	SHOULDER BUSHING	1
15	4407079	ARM - DRIVE	1
16	9900098	COTTER PIN 3/32 X 3/4 IN.	2
17	4407088	BRACKT - DRIVE SHAFT	1
18	4844027	GUIDE - DOOR FRAME SUPPORT	1
19	4407115	DOOR ASSEMBLY - REFRIGERATED FOOD MODULE (SEE FIGURE 74 FOR DETAILS)	1
-	5500026	SCREW - 8-32 X 3/8 PHS T/F	-
20	4741223	DECAL - COLD/FROZEN FOOD	1
21	4612001	DECAL - "CHILLED FOR FRESHNESS"	1
22	4747716	DOOR FRAME ASSEMBLY (SEE FIGURE 67 FOR DETAILS)	1
-	5500026	SCREW - 8-32 X 3/8 PHS T/F	-

Snack / Refreshment Center 2 Parts Manual

TABLE 67. REFRIGERATION MODULE ASSEMBLY - FOOD (110V)

PART NUMBER	DESCRIPTION	QTY
4844007	REFRIGERATION MODULE ASSEMBLY FINAL - FOOD	1
4404006	PLATE - EVAPORATOR FAN SHROUD	1
4744045	SHROUD - EVAPORATOR FAN	1
4724124	FAN - EVAPORATOR	1
4744020	SHROUD - TOP	1
4744017	GASKET - REFIGERATION MODULE	1
4844026	EVAPORATOR & TUBE ASSEMBLY - TECUMSEH	1
4404003	BAFFLE - REFRIGERATION	1
4404015	GASKET - BAFFLE - TOP	1
4404016	GASKET - BAFFLE - BOTTOM	1
3128063	DRAIN - WATER BATH	1
4744002	HOUSING - REFRIGERATION MODULE	1
4301152	DRAIN - CONDENSATE	1
4844019	TRIAC & SUPPORT ASSEMBLY - REFRIGERATED	1
3608149	BLADE - CONDENSATE FAN FV-700CW20P	1
4043121	SILENCER - FAN - MORRIL S-5847-1	1
4744112	MOTOR - CONDENSER FAN	1
4744009	BRACKET - CONDENSER MOTOR	1
4724066	GROMMET - 11/16: HIGH	1
4844002	BASE & STUD ASSEMBLY - CONDENSER	1
4304192	LABEL - R134A - SMALL	4
4744022	PAN - CONDENSATE	1
4744106	BAG - COMPRESSOR COMP - 115V	1
-	BALE STRAP	1
-	COVER	1
-	RELAY	1
-	OVERLOAD	1
-	GROMMET	4
-	SLEEVE	4
4744108	COMPRESSOR - AZ0370Y - R134A	1
3608146	SHROUD - CONDENSER FAN	1
4744109	CONDENSER - W/PROCESS TUBE	1
4744564	HARNESS - COMPRESSOR - R134A - CAN (NOT SHOWN)	1

Snack / Refreshment Center 2 Parts Manual

TABLE 68. REFRIGERATION MODULE ASSEMBLY - FOOD (230 V)

PART NUMBER	DESCRIPTION	QTY
4874050	REFRIG. MOD - REFRIG. FOOD - DANFOSS	1
4774007	COVER - AIR DUCT	1
4874002	FAN - EVAPORATOR - 230V	1
4774045	MOUNTING BRACKET - FAN	1
4874043	EVAP. ASSY - SNACK/CAN - DANFOSS	1
4774003	DIVIDER WALL - AIR DUCT	1
4844001	FAN - EVAPORATOR - 230V	1
4774004	SHROUD - EVAPORATOR FAN	1
4744101	HOUSING - REFRIGERATOR MODULE	1
4774046	WALL - AIR DUCT	1
4844019	TRIAC & SUPPORT ASSY - REFRIG.	1
4644029	PAN - CONDENSATE	1
4304216	GROMMET & SLEEVE PACKAGE (4 EACH)	1
4304058	CORD RELIEF	1
4304211	COMPRESSOR - 220V - R134A - DANFOSS	1
9988902	CAPACITOR - START - 80MFD - 220/250V	1
4304214	RELAY - STARTING	1
4304057	COVER	1
4774105	BASE & STUD ASSY - COND.	1
4744009	BRACKET - CONDENSER MOTOR	1
4774122	MOTOR - CONDENSER FAN - 230V	1
4774026	SHROUD - CONDENSER FAN	1
4774027	BLADE - CONDENSER FAN	1
3634002	CONDENSER	1
4641074	COVER & SEAL ASSEMBLY - REFIG. HOUSING	1
4301152	DRAIN - CONDENSATE	1
3128063	DRAIN - WATER BATH	1
4774002	DIVIDER - EVAPORATOR	1
4744031	SEAL - .50 X .50 IN.	1
4774008	GASKET - AIR DUCT COVER	1

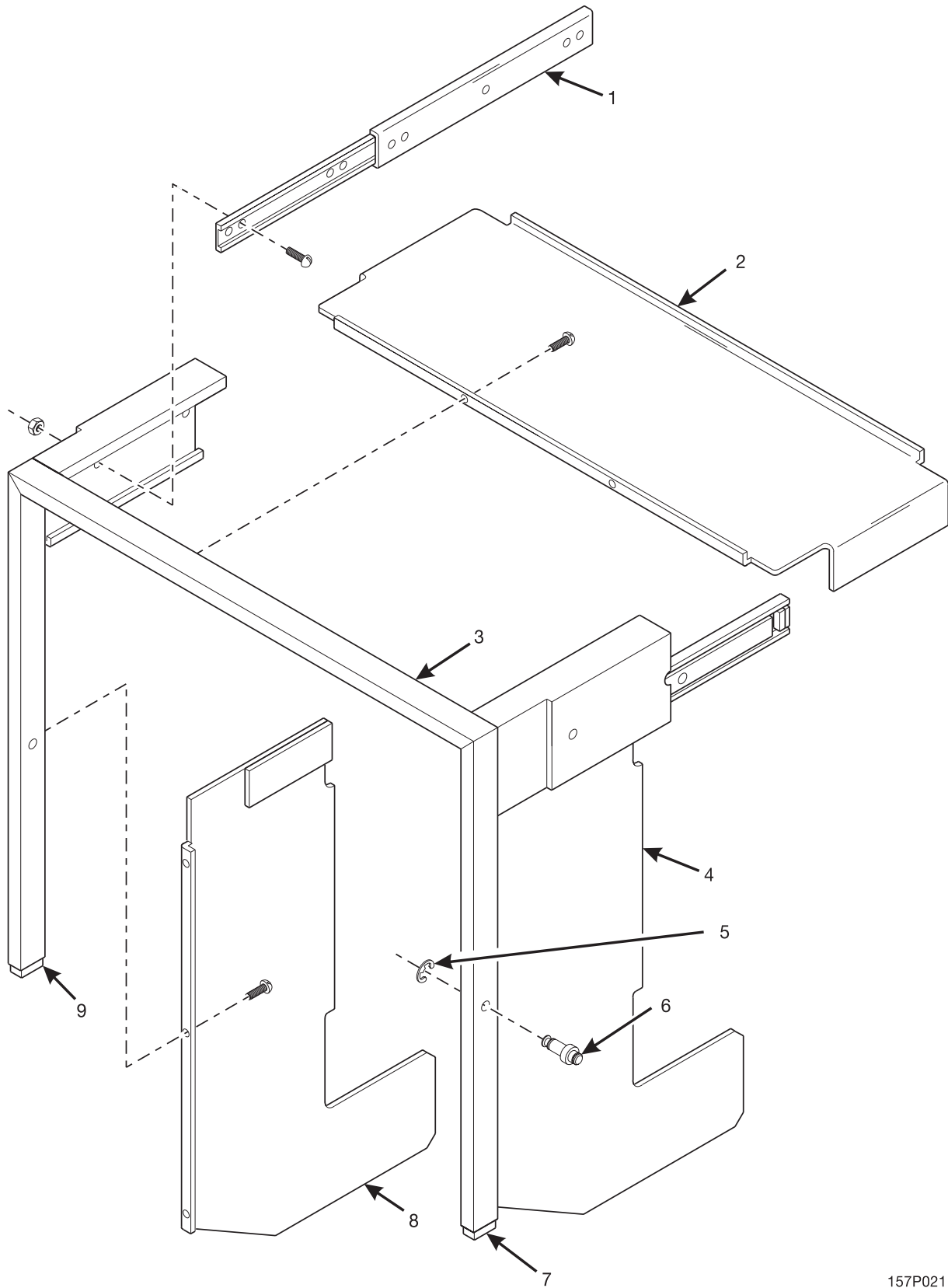


Figure 67. Food Module Door Frame Assembly

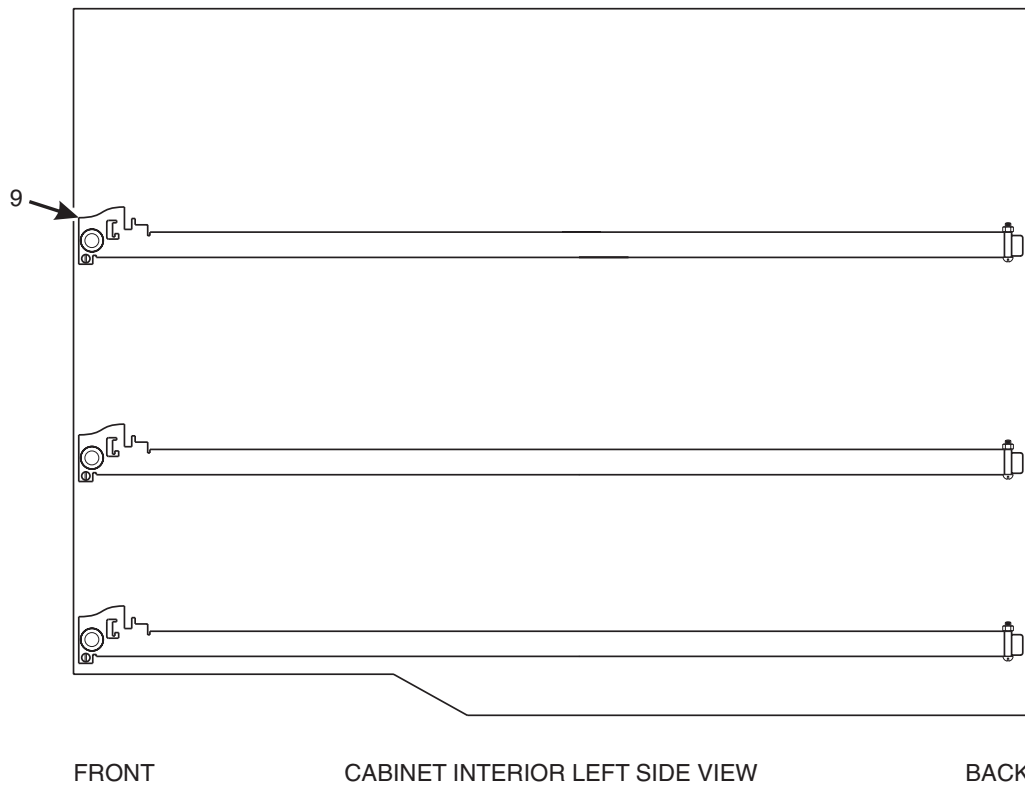
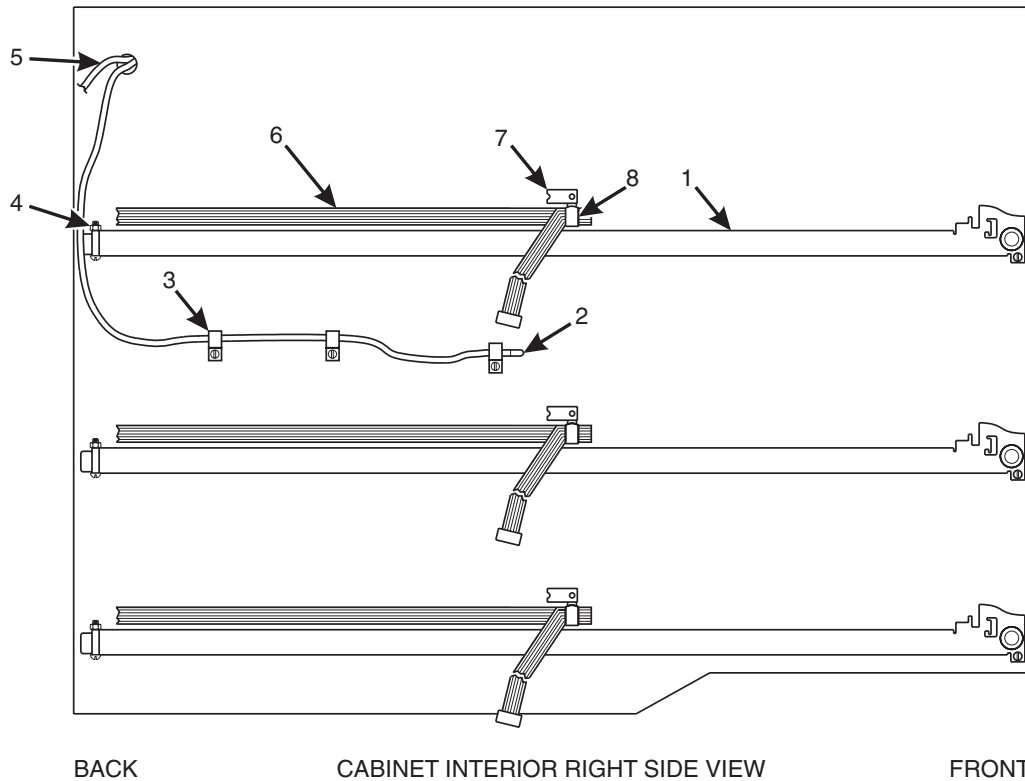
157P0211

Snack / Refreshment Center 2 Parts Manual

TABLE 66. FOOD MODULE DOOR FRAME ASSEMBLY

INDEX	PART NUMBER	DESCRIPTION	QTY
-	4747716	DOOR FRAME ASSEMBLY	1
1	4407103	SLIDE - 10"	2
2	4407106	SHIELD - TOP	1
3	4407107	DOOR FRAME WELD ASSEMBLY	1
4	4407159	SHIELD - RIGHT SIDE	1
5	9900431	RETAINING RING REINF E TYP. 3	7
6	4407102	STUD - DOOR LATCH	1
7	1479120	CAPLUG - REC. ½ X 1	1
8	4407158	SHIELD - LEFT SIDE	1
9	4407101	SUPPORT - DOOR FRAME	1

Snack / Refreshment Center 2 Parts Manual



157P0195

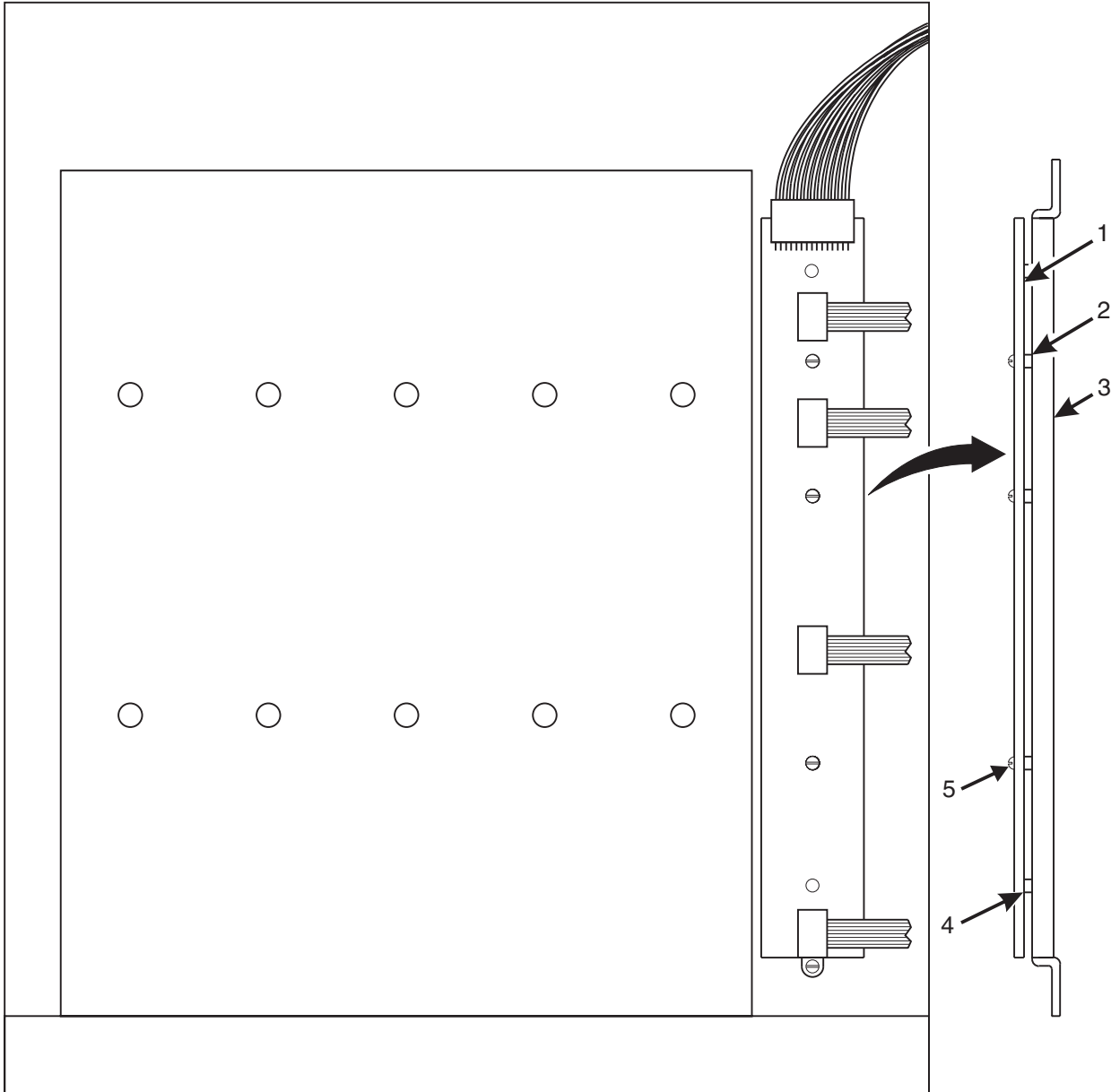
Figure 68. Refrigerated and Frozen Food Module - Interior View (Part 1 of 2)

Snack / Refreshment Center 2 Parts Manual

TABLE 67. REFRIGERATED AND FROZEN FOOD MODULE - INTERIOR VIEW (PART 1 OF 2)

INDEX	PART NUMBER	DESCRIPTION	QTY
1	4407021	RAIL & ROLLER ASSEMBLY - R.H.	3
-	4402038	SCREW	3
2	4119013	PROBE - TEMPERATURE SENSOR	1
3	2342315	CLIP - WIRE HARNESS	3
-	4402038	SCREW	3
4	4407016	WIRE COVER - 6138236 - .208 ID X .88	6
-	4402037	SCREW	6
-	6104424	NUT	6
5	4407009	JUMPER - CHANNEL PCB - FOOD MODULE	1
6	4402010	FLAT CABLE ASSEMBLY	3
7	4407156	KEEPER - HARNESS	3
-	4402038	SCREW	3
8	4407014	RETANGULAR CLOSURE	3
9	4407017	RAIL & ROLLER ASSEMBLY - L.H.	3
-	4402038	SCREW	3

TOP



CABINET INTERIOR BACK VIEW

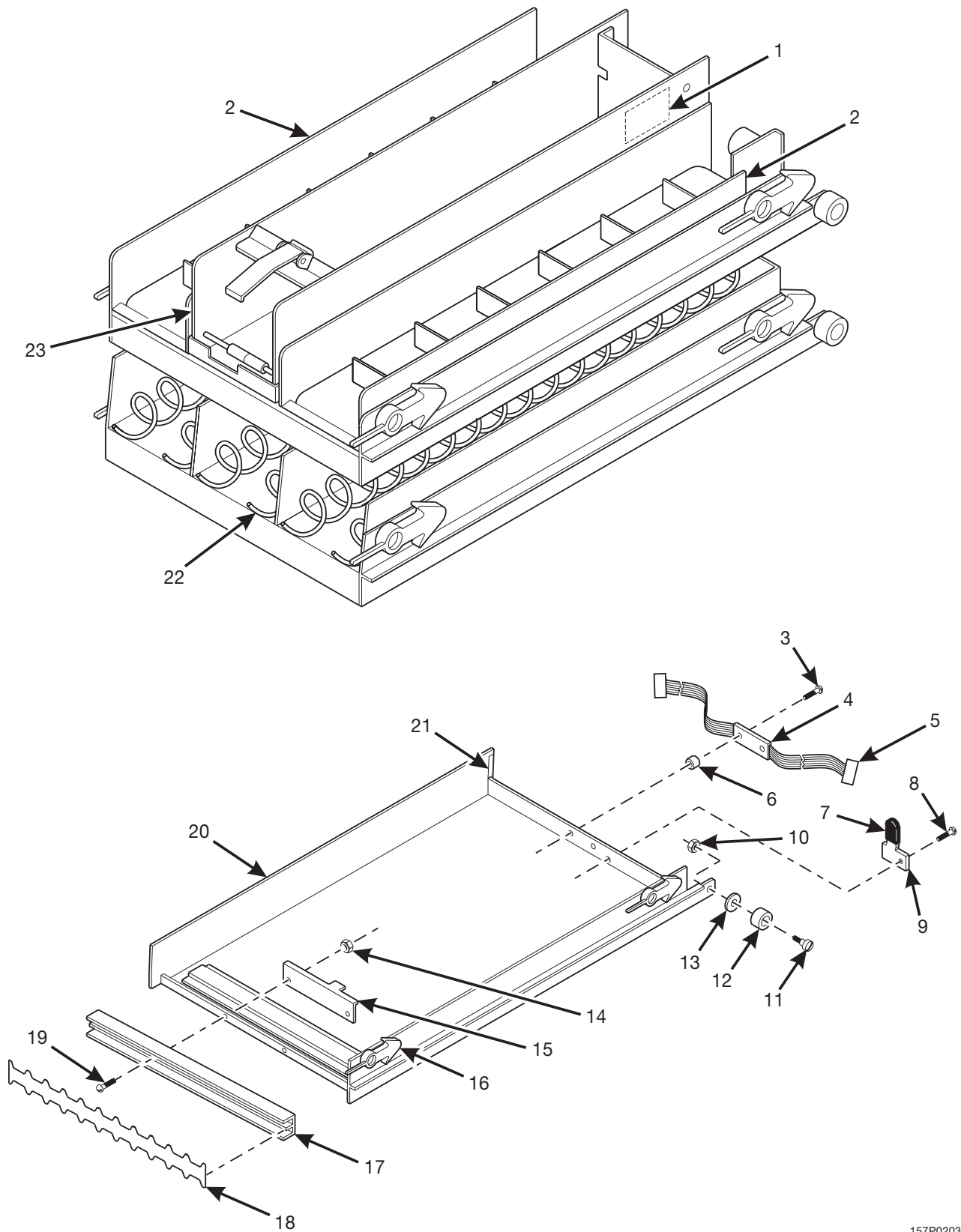
157P0197

Figure 69. Refrigerated and Frozen Food Module - Interior View (Part 2 of 2)

Snack / Refreshment Center 2 Parts Manual

TABLE 68. REFRIGERATED AND FROZEN FOOD MODULE - INTERIOR VIEW (PART 2 OF 2)

INDEX	PART NUMBER	DESCRIPTION	QTY
1	4401000	PCB ASSY - CHANNEL - FOOD MOD	1
2	4407025	SPACER	3
3	4407146	BRACKET - P.C. BOARD (PAINTED)	1
4	4407024	SUPPORT - CIR. BD. MINIATURE	2
5	6107240	SPACER	3



157P0203

Figure 70. General Tray Assemblies - Refrigerated Food Module

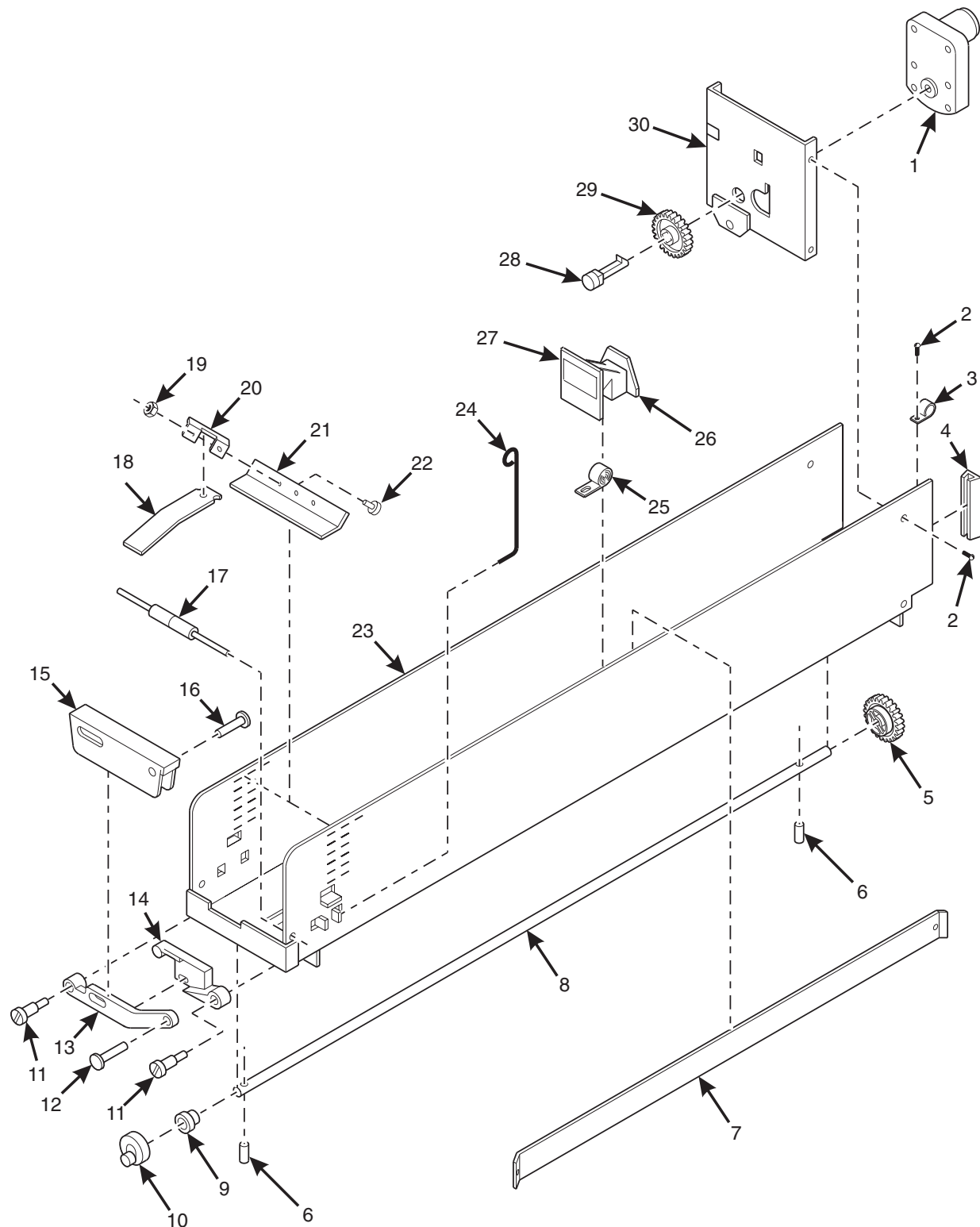
Snack / Refreshment Center 2 Parts Manual

NOTE

*Tray assemblies can be configured several different ways:
All spirals, all belts, or 2 belts and 1 pusher. This table represents parts common to all
trays including the modules needed to configure trays for spirals, belts or pushers*

TABLE 69. GENERAL TRAY ASSEMBLIES - REFRIGERATED FOOD MODULE

INDEX	PART NUMBER	DESCRIPTION	QTY
1	4757500	LABEL - TRAY REMOVAL	1
2	4407600	BELT MODULE ASSEMBLY (SEE FIGURE 72 FOR DETAILS)	OPT
-	3104138	SCREW #8-32 X 3/8 PHS T/C SS	-
3	6107240	SCREW - #6-32 X 1/2 PHS - TCS.S.	2
4	4402008	PCB ASSEMBLY - TRAY - FOOD MODULE	1
5	4407501	HARNESS - 6 MOTOR - FOOD MODULE	1
6	4407025	SPACER - .38 OCX .14IDX .187L	2
7	4407114	RETANGULAR CLOSURE	1
8	4402038	SCREW #8 - 15 X .38 STAINLESS	1
9	4407516	RETAINER - HARNESS	1
10	4402046	NUT #1/4 - 20 SELF LOCKING - SS	2
11	4407514	STUD - TRAY ROLLER	2
12	4407019	ROLLER - TRAY	2
13	4402041	WASHER - 5/8 X 9/32 X 1/16 - SS	2
14	4402043	NUT #8-32 W/L.W. - S.S.	2
15	4407845	RETAINER - SPIRAL MODULE (USED WITH INDEX #22 ONLY)	1
16	1477017	LATCH	4
-	5201267	PUSH ON RETAINER .312	4
17	4407503	RAIL - PRICE & SELECTION	1
18	4407504	HOLDER - PRICE & SELECTION	1
19	3108221	SCREW #8-32 X 3/8 PHS ST. STL.	2
20	4402034	TRAY WELD ASSEMBLY (PAINTED)	1
21	4407502	GROMMET - 3156015 - 2.0 LG.	1
22	4844035	COVER - TRAY MOTORS (USED WITH SPIRAL MODULE ONLY)	1
23	4844032	SEAL - MOTOR SHIELD (USED WITH SPIRAL MODULE ONLY)	1
24	4407800	SPIRAL MODULE ASSEMBLY - 3 SELECT (SEE FIGURE 73 FOR DETAILS)	OPT
-	3104138	SCREW #8-32 X 3/8 PHS T/C SS	-
25	4407700	PUSHER MODULE ASSEMBLY (SEE FIGURE 71 FOR DETAILS)	OPT
-	3104138	SCREW #8-32 X 3/8 PHS T/C SS	-



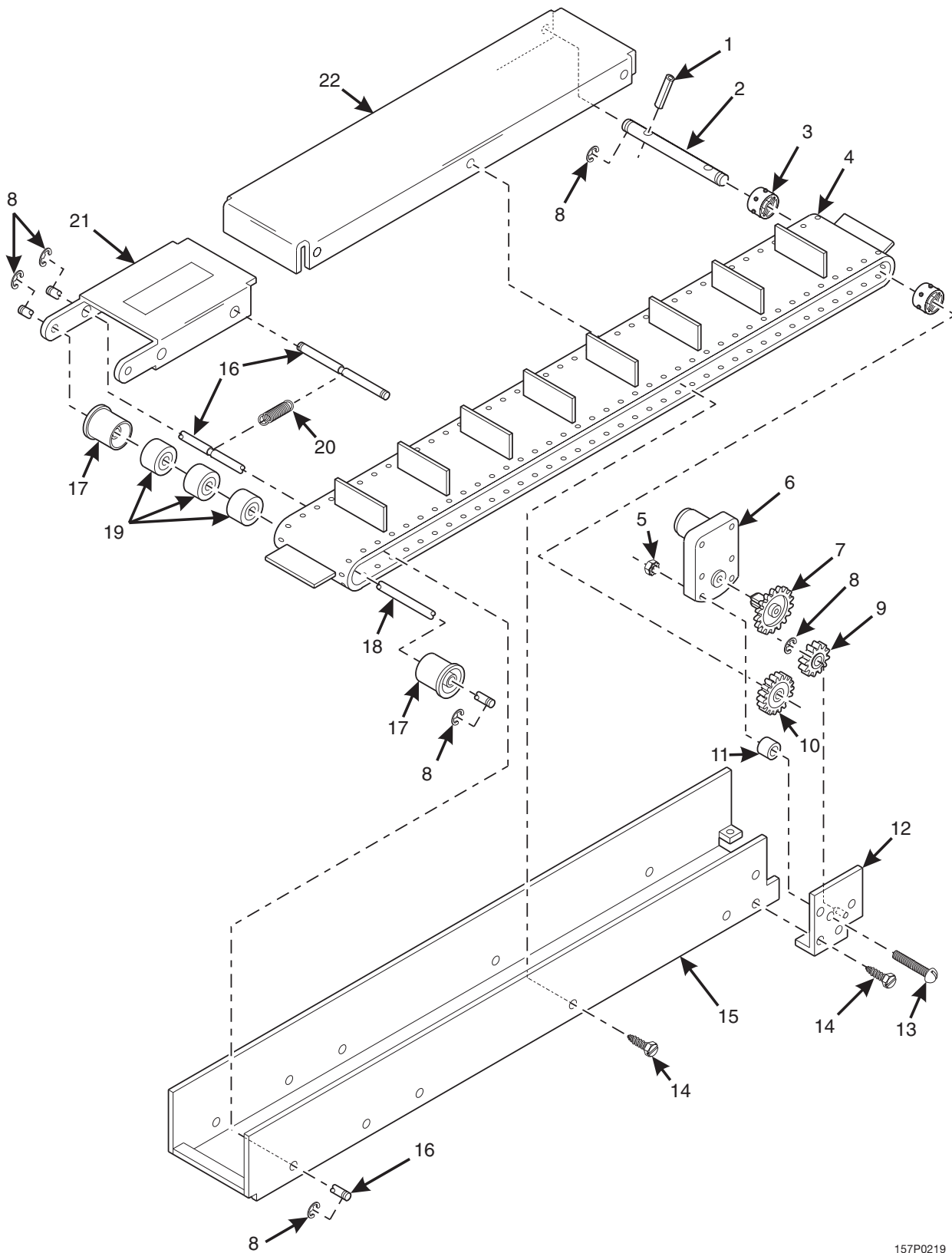
157P0217

Figure 71. Pusher Module Assembly

Snack / Refreshment Center 2 Parts Manual

TABLE 70. PUSHER MODULE ASSEMBLY

INDEX	PART NUMBER	DESCRIPTION	QTY
-	4407700	PUSHER MODULE ASSEMBLY	-
1	4744555	MOTOR & PCB ASSEMBLY	1
2	4402038	SCREW #8-15 X .38 STAINLESS	5
3	2342315	CLIP - WIRE HARNESS	1
4	4407502	GROMMET - 3156015 - 2.0 LONG	2
5	4407710	GEAR - EJECTOR SHAFT	1
6	5220463	ROLL PIN .093 X 7/16	2
7	4402213	SPACER - PRODUCT	1
8	4407742	SHAFT - EJECTOR	1
9	4407722	BUSHING - EJECTOR SHAFT	1
10	4407708	CAM - EJECTOR	1
11	4407739	STUD - EJECTOR - PUSHER	2
12	4407740	STUD - EJECTOR - BRACKET - LEFT	1
13	4407716	ARM - EJECTOR - LEFT	1
14	4407717	ARM - EJECTOR - RIGHT	1
15	4407735	BRACKET - EJECTOR	1
16	4407741	STUD - EJECTOR BRACKET - RIGHT	1
17	4407729	ROLLER & SHAFT ASSEMBLY - PUSHER (CONTAINS THE NEXT 3 ITEMS)	1
	4407731	SHAFT - PUSHER MODULE	1
	4407730	ROLLER - PUSHER MODULE	2
	2366055	SPEED CLIP COMPRESSION RING	2
18	4407736	STOP - PACKAGE	1
19	6104429	KEPS NUT #6-32 S.S. EXT LW	2
20	4407737	KEEPER - STOP	1
21	4407738	GUIDE - PACKAGE	1
22	4402039	SCREW #6-32 X 1/4 RHS - S.S.	2
23	4402212	FRAME ASSEMBLY - PUSHER	1
24	4407707	RETAINER - GUIDE	2
25	4407713	SPRING - PUSHER	1
26	4407728	LABEL - SOLD OUT	1
27	4407714	PUSHER - PRODUCT	1
28	4407712	COUPLING - MOTOR	1
29	4407711	GEAR - DRIVE - PUSHER	1
30	4407734	BRACKET & MOTOR PANEL ASSEMBLY	1



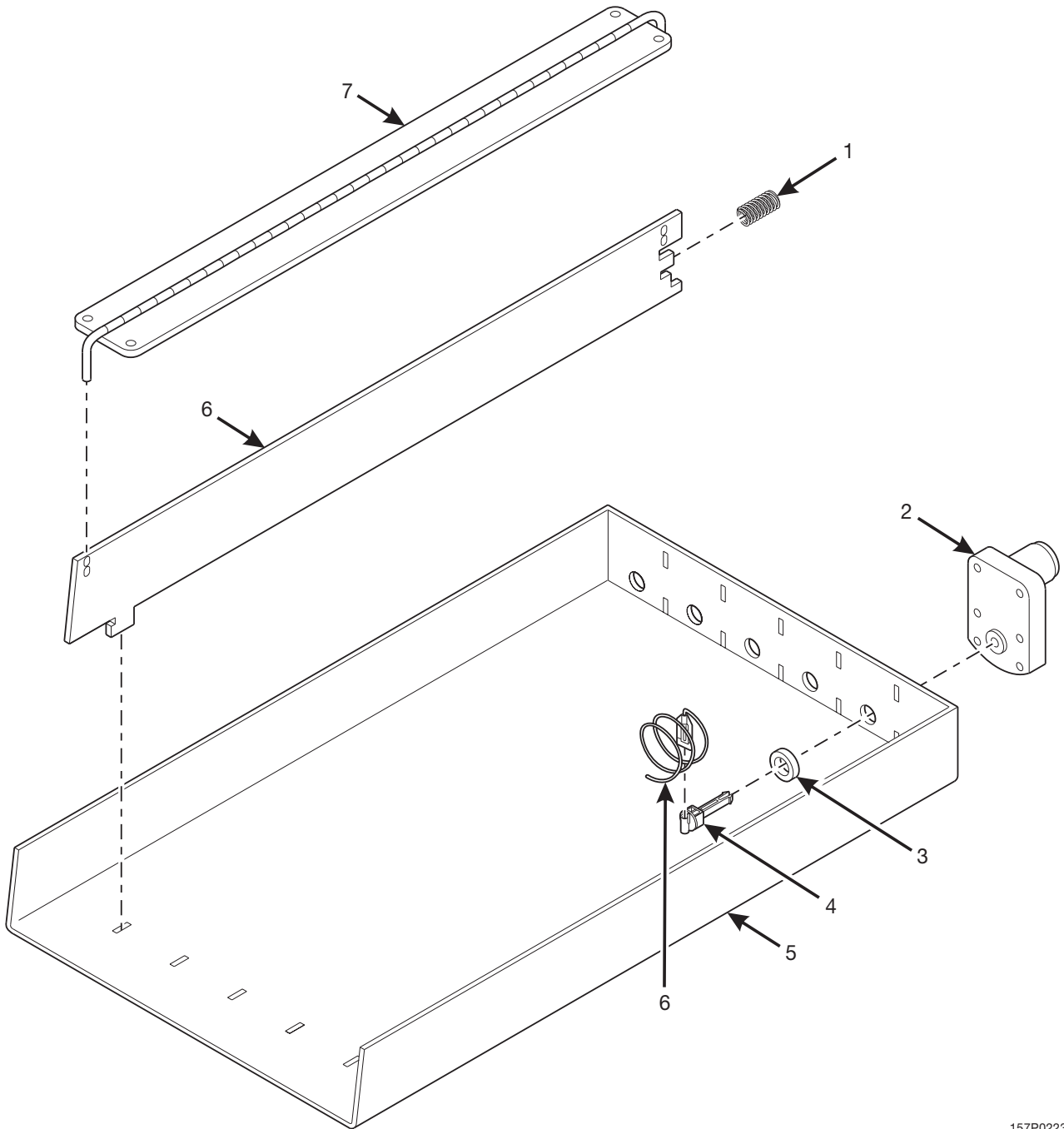
157P0219

Figure 72. Belt Module Assembly

Snack / Refreshment Center 2 Parts Manual

TABLE 71. BELT MODULE ASSEMBLY

INDEX	PART NUMBER	DESCRIPTION	QTY
-	4407600	BELT MODULE ASSEMBLY	-
1	6104219	ROLL PIN	2
2	4407634	SHAFT - DRIVE SPROCKET	1
3	4407619	SPROCKET - DRIVE	2
4	4407604	BELT - CONVEYOR	1
5	4402043	NUT #8-32 W/L.W. - S.S.	2
6	4744555	MOTOR & PCB ASSEMBLY	1
7	4407615	GEAR - DRIVE MOTOR	1
8	3103029	WALDES TRUARC RING	9
9	4407616	GEAR - IDLER - BELT MODULE	1
10	4407618	GEAR - BELT DRIVE	1
11	4407617	SPACER - MOTOR	2
12	4407622	BRACKET & STUD ASSEMBLY	1
13	4402036	SCREW #8-32 X 1 3/8 RHS - SS.	2
14	4402038	SCREW #8-15 X .38 STAINLESS	9
15	4407628	FRAME ASSEMBLY - BELT MODULE	1
16	4407632	SHAFT - BELT ADJUSTOR	2
17	4407611	ROLLER - BELT - OUTSIDE	2
18	4407633	SHAFT - BELT - FRONT	1
19	4407612	ROLLER - BELT - INSIDE	3
20	4407607	SPRING - BELT TENSION	1
21	4407630	SUPPORT - BELT - FRONT	1
22	4407629	SUPPORT - BELT - REAR	1



157P0223

Figure 73. Spiral Module Assembly

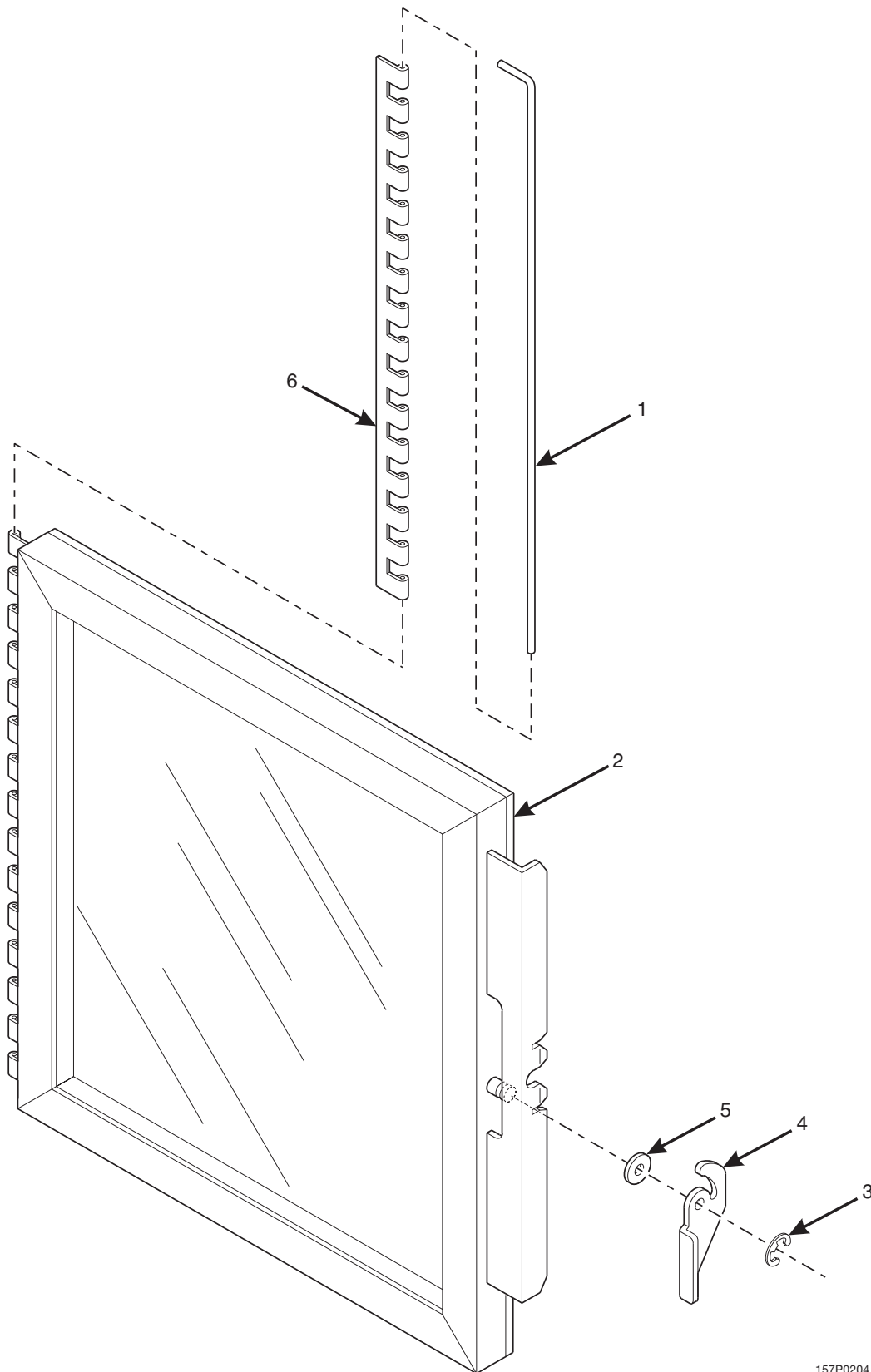
Snack / Refreshment Center 2 Parts Manual

TABLE 72. SPIRAL MODULE ASSEMBLY

INDEX	PART NUMBER	DESCRIPTION	QTY
1	4407808	SPRING - DIVIDER	2
2	4744555	MOTOR & PCB ASSEMBLY	6
3	4407803	SPACER - MOTOR	6
4	1477113	COUPLING - SPIRAL	6
5	4407842	FRAME ASSY - SPIRAL MODULE	1
6	4407844	DIVIDER - SPIRAL MODULE	2
7	4407843	SPACER - ADJUSTABLE	1

TABLE 72 A. SPIRAL OPTIONS (FOR REFRIGERATED / FROZEN FOOD TRAYS)

		LEFT HAND		RIGHT HAND		
SPIRAL COUNT	RETAINER COLOR	ASSEMBLY	SPIRAL	ASSEMBLY	SPIRAL	RETAINER
5	TAN	4407815	4407816	4407818	4407819	4407817
6	DK. GREEN	4407820	4407821	4407823	4407824	4407822
7	MAUVE	4407825	4407826	4407828	4407829	4407827
9	AQUA	4407830	4407832	4407834	4407835	4407833
12	BLACK	4407837	4407838	4407839	4407840	1477073



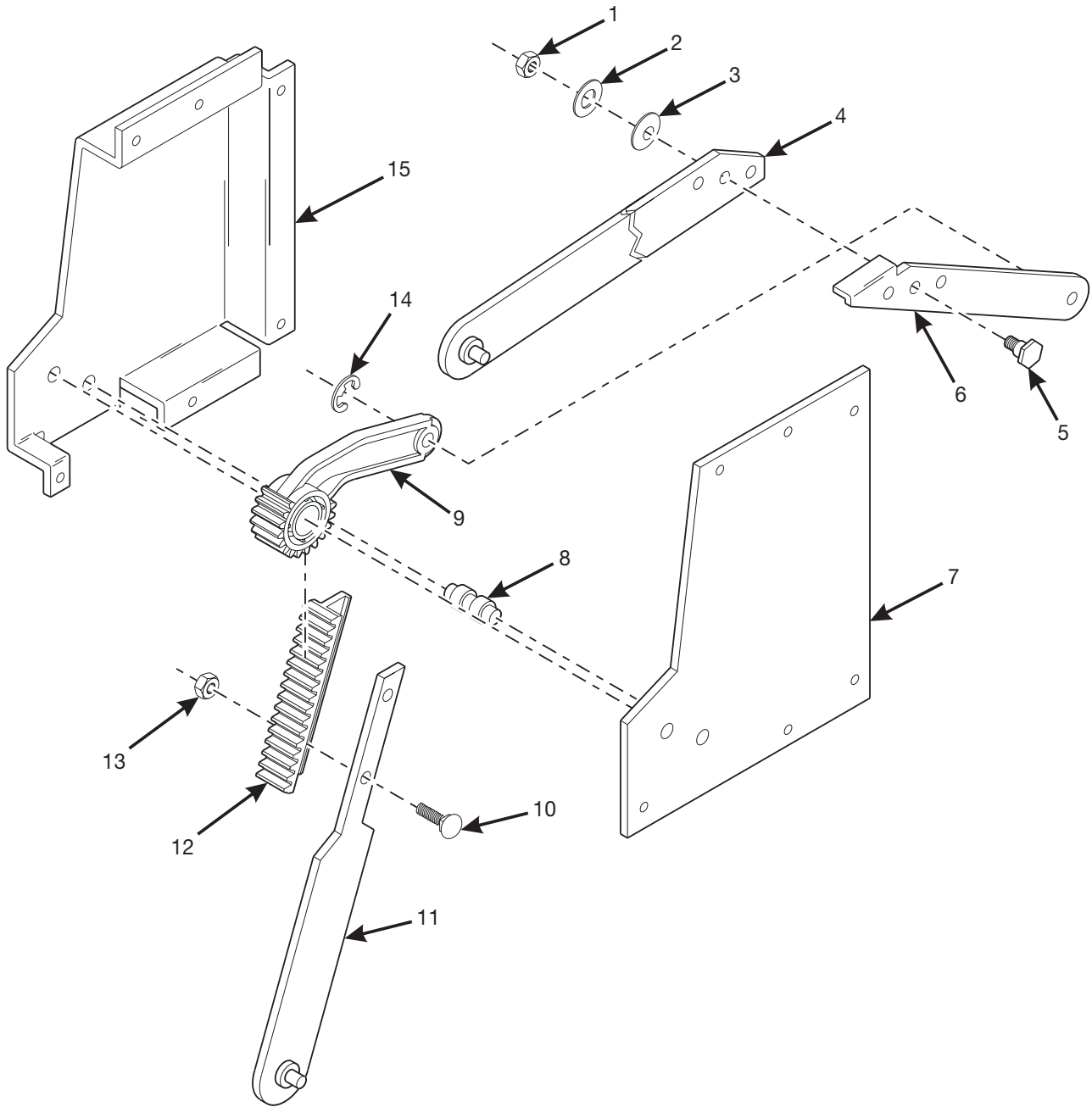
157P0204

Figure 74. Door Assembly - Refrigerated Food Module

Snack / Refreshment Center 2 Parts Manual

TABLE 73. DOOR ASSEMBLY - REFRIGERATED FOOD MODULE

INDEX	PART NUMBER	DESCRIPTION	QTY
-	4407115	DOOR ASSEMBLY REFRIGERATED FOOD MODULE	-
1	4407120	PIN - HINGE	1
2	-	DOOR (NOT AVAILABLE SEPARATELY)	1
3	9900425	RETAINING RING REINF. E TYP. 250	1
4	4407160	LEVER - LATCH	1
5	5220113	SPRING WASHER .500 X .254 X .006	1
6	4407132	HINGE - FOOD MODULE DOOR	1



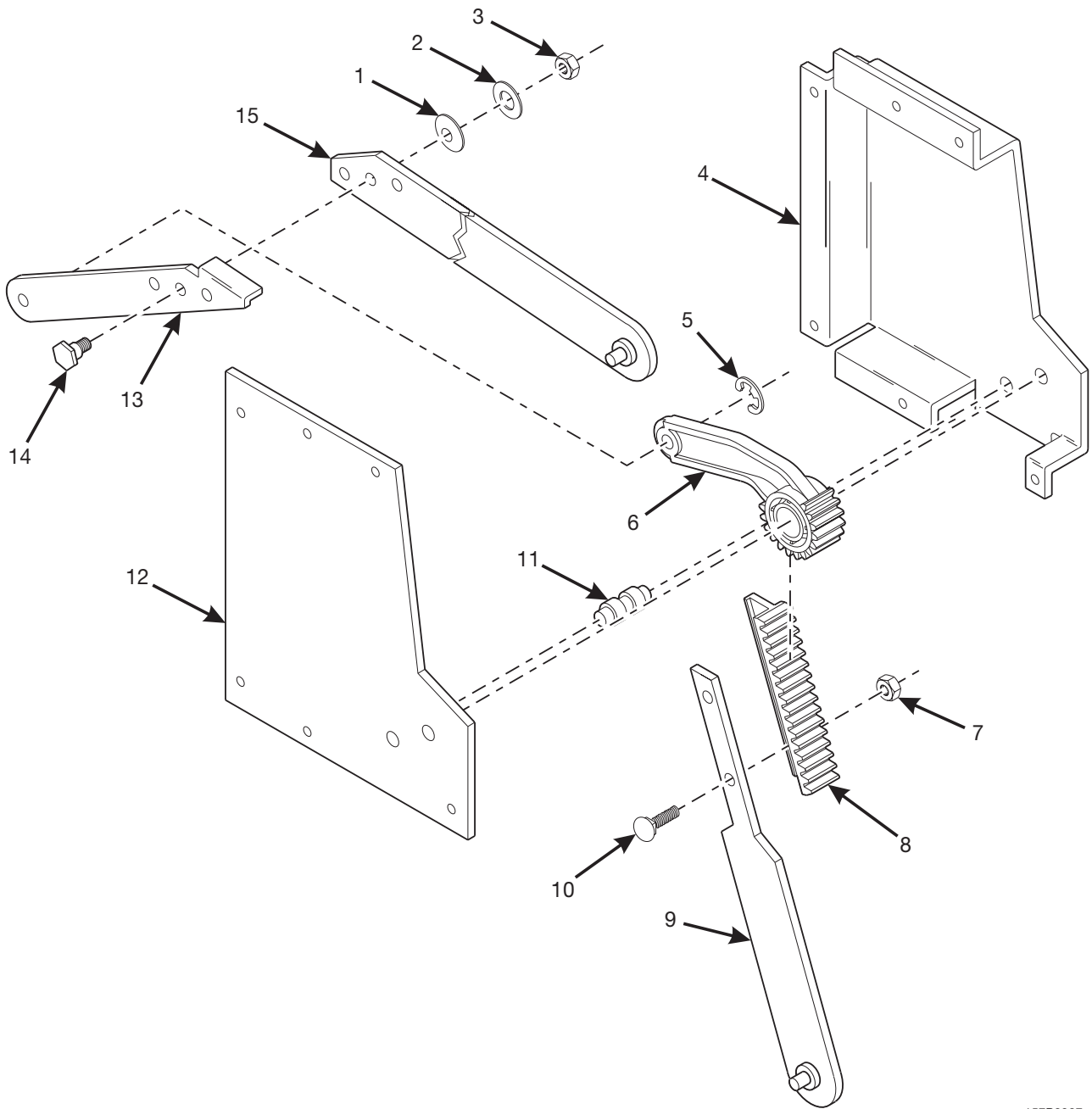
157P0206

Figure 75. Left Hand Drive Arm Assembly

Snack / Refreshment Center 2 Parts Manual

TABLE 74. LEFT HAND DRIVE ARM ASSEMBLY

INDEX	PART NUMBER	DESCRIPTION	QTY
-	4407052	DRIVE ARM ASSEMBLY - L.H.	1
1	1412046	8-32 NUT MF 23TW832 BLOX	1
2	5202012	SPACER EXTENSION BAR	1
3	2202109	SPRING WASHER	1
4	4407059	FRAME DRIVE ARM ASSEMBLY - LONG - L.H.	1
5	4407058	PIVOT - FRAME DRIVE ARM	1
6	4407062	FRAME DRIVE ARM ASSEMBLY - SHORT - L.H.	1
7	4407053	PLATE - TOGGLE - L.H.	1
8	4407055	ROLLER - DRIVE RACK	1
9	4975011	ARM - TOGGLE	1
10	1306140	8-32 X 3/8 CARRIAGE BOLT BLK/OX	2
11	4407067	DRIVE RACK ARM ASSEMBLY	1
12	4407066	RACK DRIVE	1
13	9900072	NUT #8-32 SELF-LOCKING	2
14	9900425	RETAINING RING REINF E TYP. 250	1
15	4407133	COVER - TOGGLE - L.H.	1



157P0207

Figure 76. Right Hand Drive Arm Assembly

Snack / Refreshment Center 2 Parts Manual

TABLE 75. RIGHT HAND DRIVE ARM ASSEMBLY

INDEX	PART NUMBER	DESCRIPTION	QTY
-	4407069	DRIVE ARM ASSEMBLY - R.H.	1
1	2202109	SPRING WASHER	1
2	5202012	SPACER EXTENSION BAR	1
3	1412046	8-32 NUT MF 23TW832 BLOX	1
4	4407134	COVER - TOGGLE - R.H.	1
5	9900425	RETIANING RING REINF E TYP. 250	1
6	4975011	ARM - TOGGLE	1
7	9900072	NUT #8-32 SELF-LOCKING	2
8	4407066	RACK - DRIVE	1
9	4407067	DRIVE RACK ARM ASSEMBLY	1
10	1306140	8-32 X 3/8 CARRIAGE BOLT BLK/OX	2
11	4407055	ROLLER - DRIVE RACK	1
12	4407070	PLATE - TOGGLE - R.H.	1
13	4407074	FRAME DRIVE ARM ASSEMBLY	1
14	4407058	PIVOT - FRAME DRIVE ARM	1
15	4407139	ARM - LONG - DOOR FRAME - R.H. - PAINTED	1

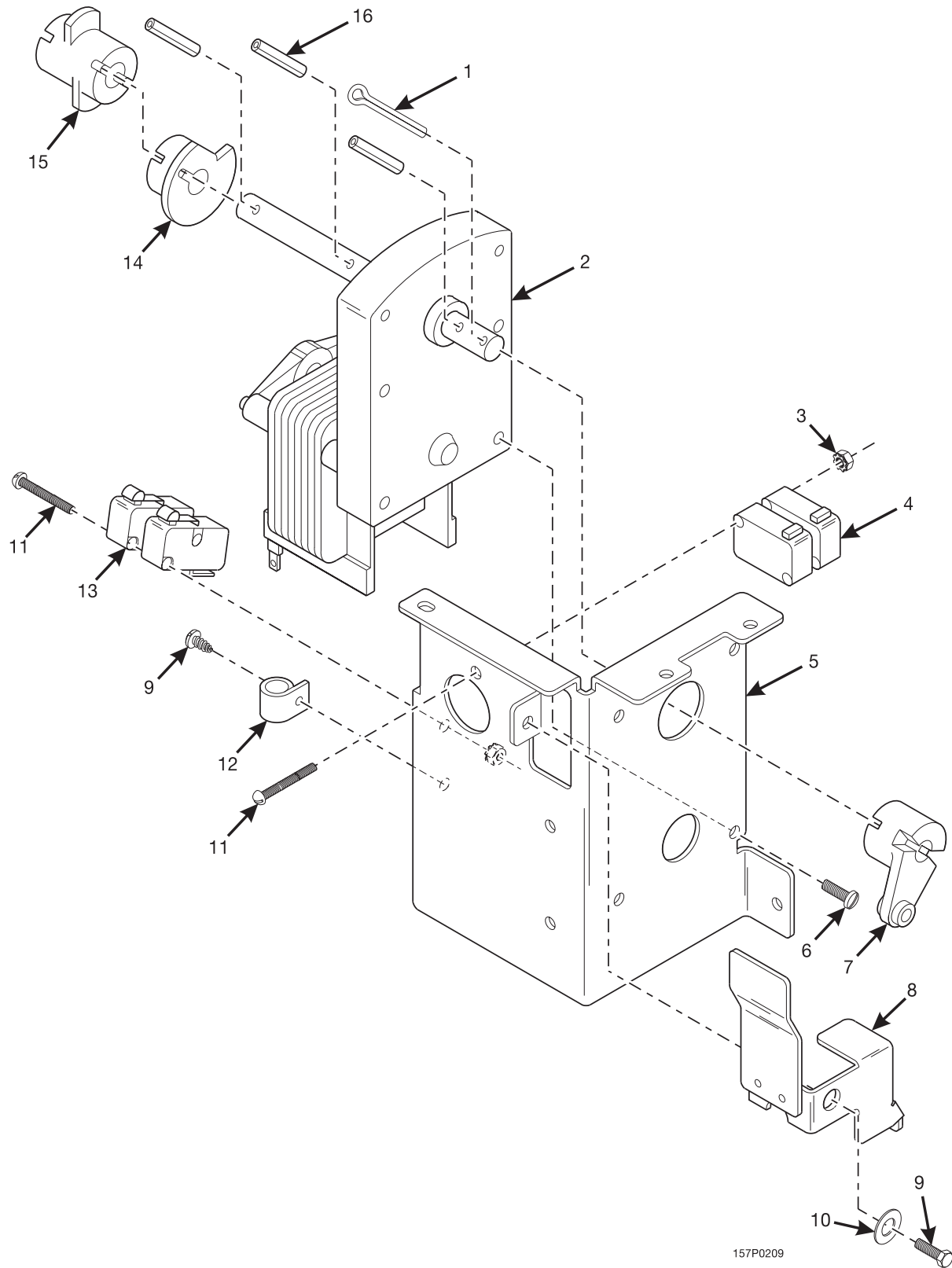
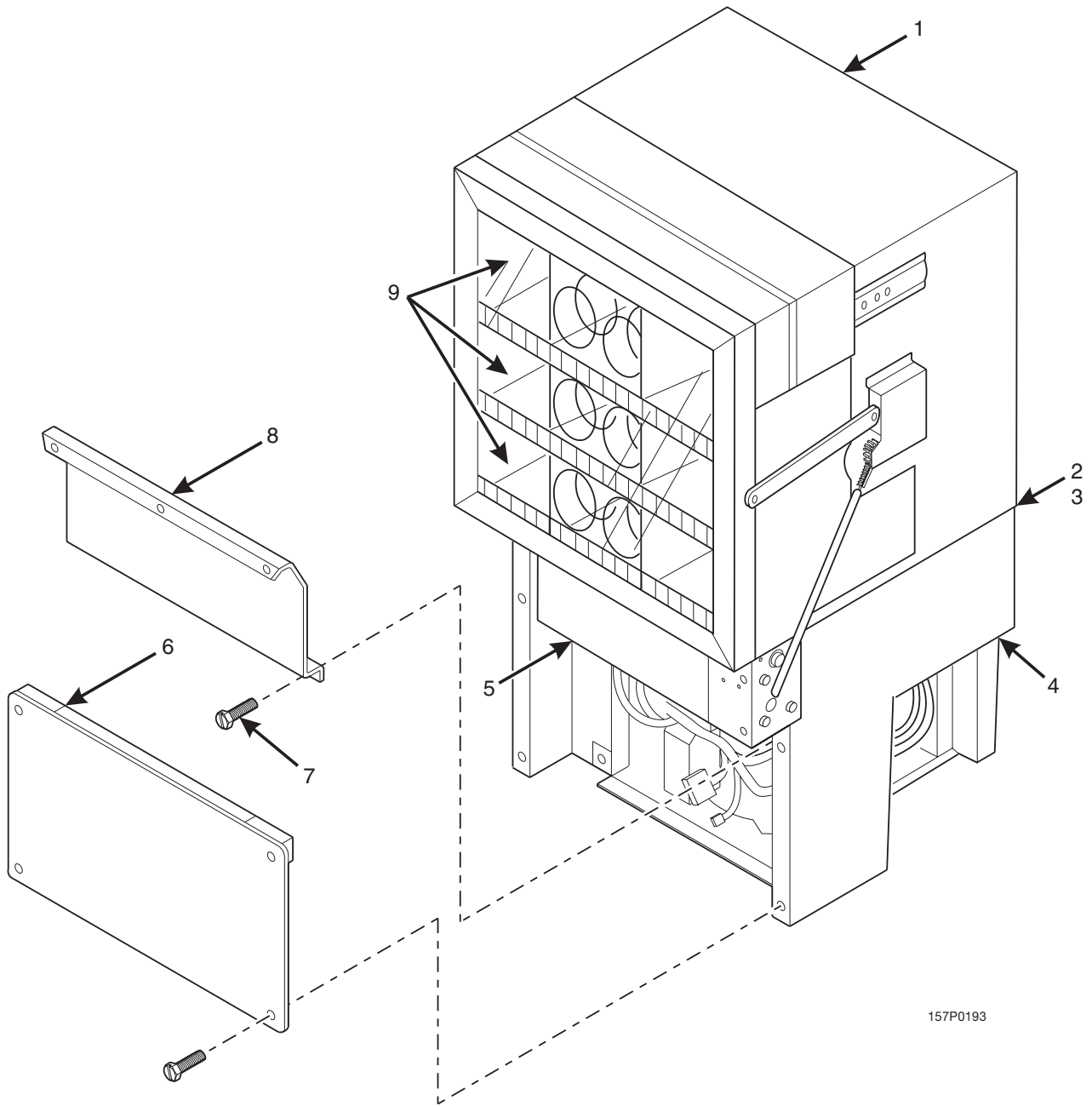


Figure 77. Motor Mounting Bracket Assembly

Snack / Refreshment Center 2 Parts Manual

TABLE 76. MOTOR MOUNTING BRACKET ASSEMBLY			
INDEX	PART NUMBER	DESCRIPTION	QTY
-	4407077	MOTOR MOUNTING BRACKET ASSEMBLY - 110V	1
-	4847017	MOTOR MOUNTING BRACKET ASSEMBLY - 230V	1
1	9900098	COTTER PIN - 3/32 X 3/4 IN.	1
2	4407157	MOTOR - FOOD MODULE (110V)	1
2	4847003	MOTOR - FOOD MODULE (230V)	1
3	1217159	4-40 KEPS W/EXT L/WAS H ZP	4
4	2306488	SWITCH V3 - 1101 - D8	2
5	4407131	MOUNTING BRACKET - MOTOR	1
6	9900023	SCREW - #8-32 X .37 PHS W/LW	4
7	4407079	ARM - DRIVE	1
8	4407084	ACTUATOR ASSEMBLY - H.C. SWITCH	1
9	1451097	SCREW - #8-32 X .31 HEX HD. TF - BLK	2
10	2228011	SPACER RELEASE ARM	1
11	5201086	SCREW #4-40 X 1 RHS	4
12	1452139	RETAINER - HARNESS	1
13	2304109	SWITCH ROLLER LEVER V3L - 139 - D8	2
14	4407093	CAM - H.C. SWITCH OVERRIDE	1
15	4407080	COUPLING - MOTOR & DRIVE SHAFT	1
16	3127034	ROLL PIN 1/8 X 13/16	3



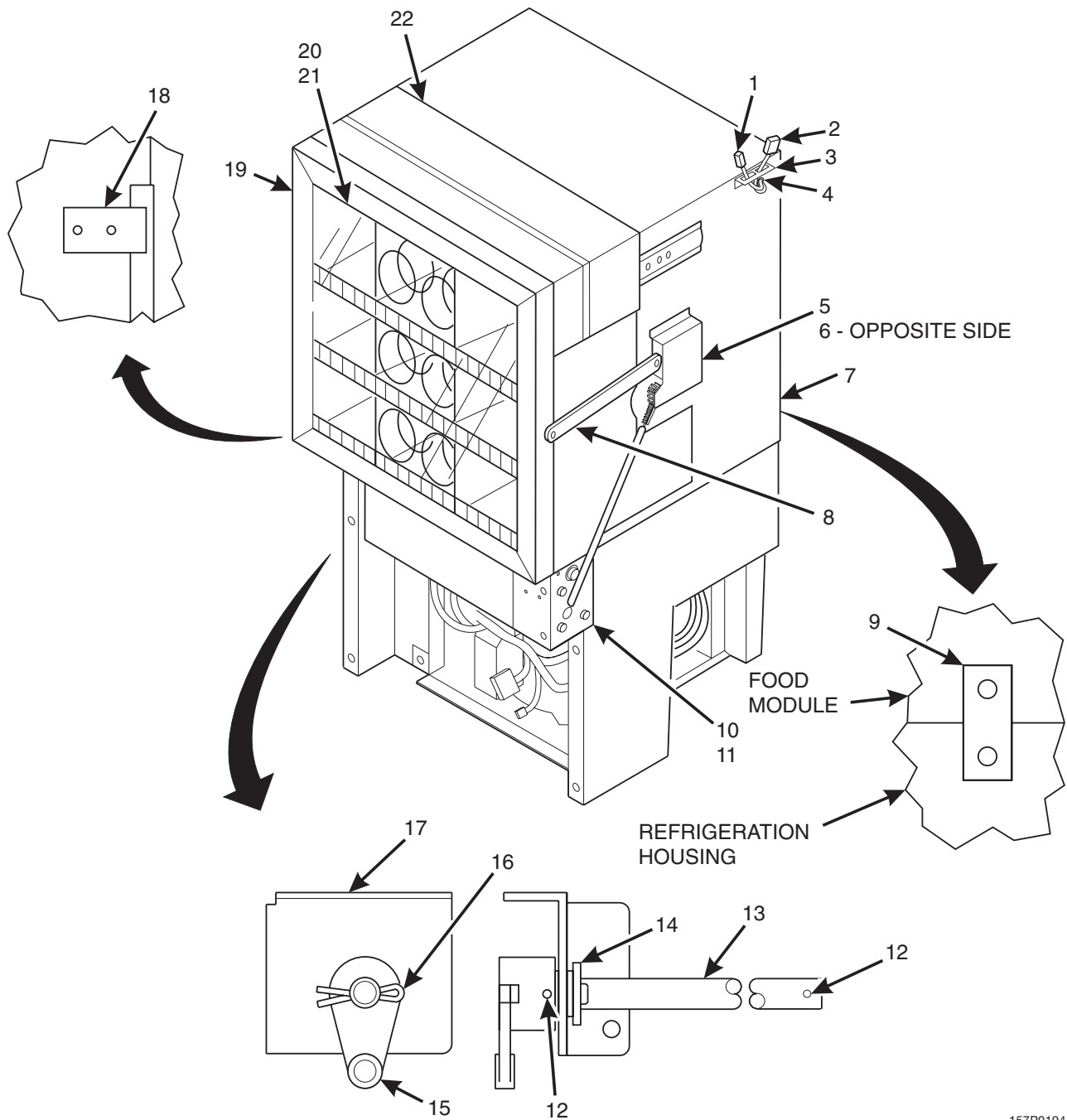
157P0193

Figure 78. Frozen Food Module and Housing Assembly

Snack / Refreshment Center 2 Parts Manual

TABLE 77. FROZEN FOOD MODULE AND HOUSING ASSEMBLY

INDEX	PART NUMBER	DESCRIPTION	QTY
1	4847005	REFRIGERATED FOOD MODULE ASSEMBLY - 110V	1
	4847018	REFRIGERATED FOOD MODULE ASSEMBLY - 220V	
2	4404013	GASKET - REFRIGERATED MODULE - OUTSIDE	1
3	4744017	GASKET - REFRIGERATED MODULE	1
4	4844007	REFRIGERATION MODULE ASSEMBLY - 110V	1
	4874050	REFRIGERATION MODULE ASSEMBLY - DANFOSS (230V)	
5	4744027	DOOR - REFRIGERATION MODULE	1
6	1581028	COVER & SEAL ASSY - COMPRESSOR (MODEL 784 -SHOWN)	1
	4681020	COVER & SEAL ASSY - COMPRESSOR (MODEL 787 -NOT SHOWN)	
7	4727144	SCREW - #8-18X.62 HEX HEAD	6
8	4744042	DOOR - RETAINER	1
9	-	TRAY ASSEMBLIES (SEE FIGURE 70 FOR DETAILS)	3



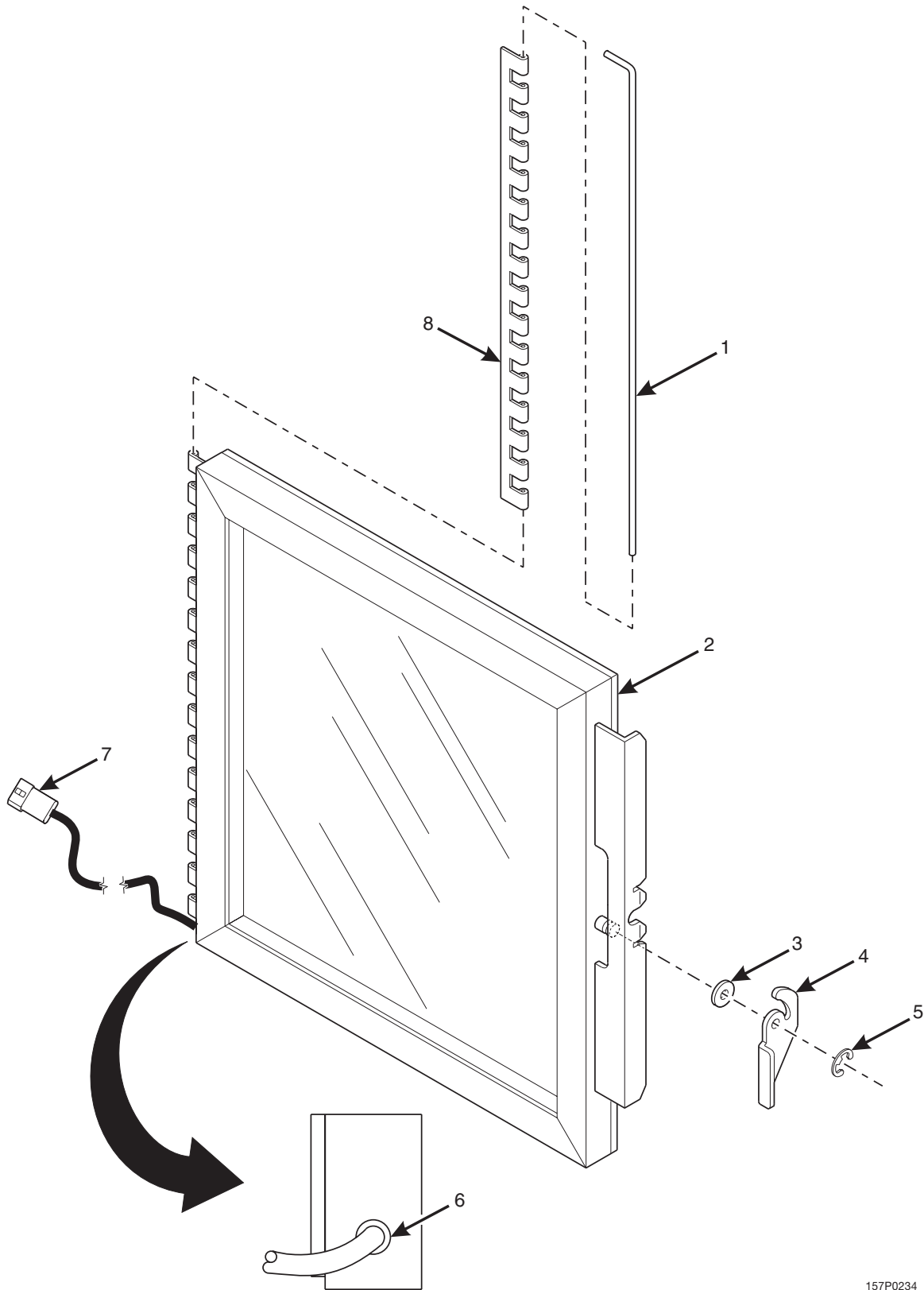
157P0194

Figure 79. Major Components - Frozen Food Module

Snack / Refreshment Center 2 Parts Manual

TABLE 78. MAJOR COMPONENTS - FROZEN FOOD MODULE

INDEX	PART NUMBER	DESCRIPTION	QTY
1	4119013	PROBE - TEMPERATURE SENSOR	1?
2	4407009	JUMPER - CHANNEL PCB - FOOD MODULE	1
3	4407002	BRACKET - CABLE PLUG	1
-	4721035	SCREW - #8-18 X .38 - LGM	2
4	3502097	BUSHING #OCB - 500	1
5	4407069	DRIVE ARM ASSEMBLY - R.H. (SEE FIGURE XX 79 FOR DETAILS)	1
-	9900425	RETAINING RING REINF. E TYP. 250	1
-	1451097	SCREW - 8-32 X .31 HEX HD. TF - BLK	5
6	4407052	DRIVE ARM ASSEMBLY - L.H. (SEE FIGURE 75 FOR DETAILS)	1
-	9900425	RETAINING RING REINF. E TYP. 250	-
-	1451097	SCREW - 8-32 X .31 HEX HD. TF - BLK	-
7	4747710	HOUSING - LINER ASSEMBLY - FRZN FOOD	1
8	9900431	RETAINING RING REINF. E TYP. 312	1
9	4747062	MOUNTING STRAP - CAN MODULE	2
-	4721035	SCREW - #8-18 X .38 - LGM	-
-	4727144	SCREW - #818 X .62 HEX HEAD	-
10	4407077	MOTOR MOUNTING BRACKET ASSEMBLY (110V) (SEE FIGURE 77 FOR DETAILS)	1
	4847017	MOTOR MOUNTING BRACKET ASSEMBLY (230V) (SEE FIGURE 77 FOR DETAILS)	
11	4747725	COVER - MOTOR ASSEMBLY	1
-	1451097	SCREW - #8-32 X .31 HEX HD. TF - BLK	5
-	4407086	DRIVE SHAFT ASSEMBLY (INCLUDES INDEX NUMBERS 12 - 17)	1
12	3127034	ROLL PIN 1/8 X 13/16	2
13	4407087	SHAFT - DRIVE	1
14	4047012	SHOULDER BUSHING	1
15	4407079	ARM - DRIVE	1
16	9900098	COTTER PIN 3/32 X 3/4 IN.	2
17	4407088	BRACKET - DRIVE SHAFT	1
18	4844027	GUIDE - DOOR FRAME SUPPORT	1
-	4721035	SCREW	2
-	4727144	SCREW	2
19	4407115	DOOR ASSEMBLY - FROZEN FOOD MODULE (SEE FIGURE 67 FOR DETAILS)	1
-	5500026	SCREW - 8-32 X 3/8 PHS T/F	-
20	4741223	DECAL - COLD/FROZEN FOOD	1
21	4612001	DECAL - "CHILLED FOR FRESHNESS"	1
22	4747716	DOOR FRAME ASSEMBLY (SEE FIGURE 67 FOR DETAILS)	1
-	5500026	SCREW - 8-32 X 3/8 PHS T/F	1



157P0234

Figure 80. Door Assembly - Frozen Food Module

Snack / Refreshment Center 2 Parts Manual

TABLE 79. DOOR ASSEMBLY - FROZEN FOOD MODULE

INDEX	PART NUMBER	DESCRIPTION	QTY
-	4747704	DOOR ASSEMBLY FROZEN FOOD MODULE (110V)	-
-	4877005	DOOR ASSEMBLY FROZEN FOOD MODULE (220V)	-
1	4407120	PIN - HINGE	1
2	-	DOOR (NOT AVAILABLE SEPARATELY)	1
3	5220113	SPRING WASHER .500 X .254 X .006	1
4	4407160	LEVER - LATCH	1
5	9900425	RETAINING RING REINF E TYP. 250	1
6	4747718	HEYCO - .281 ID X .250 LG.	1
7	1271057	PLUG 2 CIRCUIT #03-09-2022	1
8	4407132	HINGE - FOOD MODULE DOOR	1

Snack / Refreshment Center 2 Parts Manual

TABLE 80. REFRIGERATION UNIT COMPONENTS (PART 1)

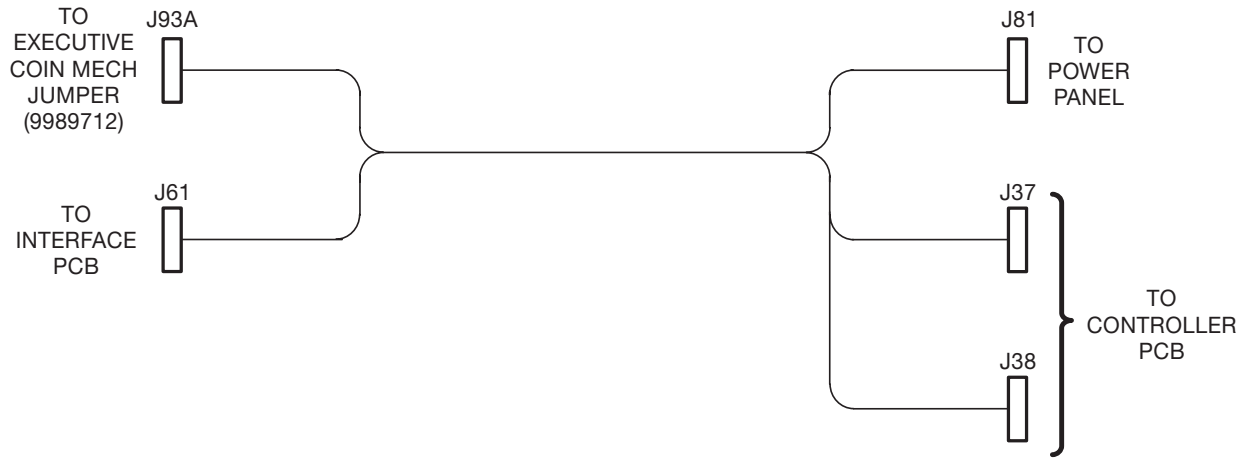
MACHINE CONFIGURATION	764/765 CHILLED SNACK DOMESTIC 120 V	764/765 CHILLED SNACK INTERNATIONAL 230 V	784 CHILLED SNACK/CAN DOMESTIC 120 V	784 CHILLED SNACK/FOOD DOMESTIC 120 V	784 CHILLED SNACK/FROZEN DOMESTIC 120 V	784 CHILLED SNACK/CAN INTERNATIONAL 230 V
PART DESCRIPTION	PART NUMBER					
REFRIGERATION UNIT ASSEMBLY	4744000	4644033	4844006	4844012	4844011	4854004
COMPRESSOR	4614135	4644019	4744108	4744108	4844028	4844014
COMPRESSOR COMPONENTS	4614136	4644018	4744106	4744106	4844031	4844015
CONDENSER	3634002	3634002	4744109	4744109	3634002	4774109
CONDENSER FAN MOTOR	4774027	4774027	4744112	4744112	4304092	6318157
CONDENSER FAN BLADE	4774027	4774027	3608149	6308149	4114027	3608149
SNACK						
EXPANSION DEVICE	4614114	4614134				
EVAPORATOR	4614127	4644030				
EVAPORATOR FAN ASSEMBLY	4614144	4314054				
CAN AND FOOD						
EXPANSION DEVICE			4844024	4844024		4844024
EVAPORATOR			4744044	4744044		4744044
EVAPORATOR FAN ASSEMBLY			4724124	4724124		4844001
FROZEN						
EXPANSION DEVICE					4744573	
EVAPORATOR					4744502	
EVAPORATOR FAN ASSEMBLY					4844000	
RETURN AIR PROBE	4119013	4119013	4119013	4119013	4119013	4119013
EPR VALVE						
TRIAC AND ASSEMBLY	4644008	4644008	4644008	4644019	4644018	4644008
DRIER	4304194	4304194	4304194	4304194	4304194	4304194
ACCUMULATOR	4724004	4724004	4724004	4724004		4724004
DRAIN HEATER					4744506	
DEFROST TERMINATION STAT					4974053	
DEFROST HEATER					4844022	

Snack / Refreshment Center 2 Parts Manual

TABLE 80. REFRIGERATION UNIT COMPONENTS (PART 2)

MACHINE CONFIGURATION	784 CHILLED SNACK/FOOD INTERNATIONAL 230 V	784 CHILLED SNACK/FROZEN INTERNATIONAL 230 V	787 CHILLED SNACK/CAN INTERNATIONAL 230 V	787 CHILLED SNACK/FOOD INTERNATIONAL 230 V	787 CHILLED SNACK/FROZEN INTERNATIONAL 230 V
PART DESCRIPTION	PART NUMBER				
REFRIGERATION UNIT ASSEMBLY	4854004	4854010	4874049	4874049	4974029
COMPRESSOR	4844014	4874026	4304211	4304211	4874026
COMPRESSOR COMPONENTS	4844015	4874027			4874027
CONDENSER	4774109	3634002	3634002	3634002	3634002
CONDENSER FAN MOTOR	3618157	4774122	4774122	4774122	4774122
CONDENSER FAN BLADE	3606149	4774027	4774027	474027	4774027
SNACK					
EXPANSION DEVICE			4774087	4774087	
EVAPORATOR			4774022	4774022	
EVAPORATOR FAN ASSEMBLY			4874002	4874002	
CAN AND FOOD					
EXPANSION DEVICE	4844024		4774087	4774087	
EVAPORATOR	4744044		4774021	4774021	
EVAPORATOR FAN ASSEMBLY	4844001		4844001	4844001	
FROZEN					
EXPANSION DEVICE		4744573			4744573
EVAPORATOR		4744502			4744502
EVAPORATOR FAN ASSEMBLY		4844054			4844054
RETURN AIR PROBE	4119013	4119013	4119013	4119013	4119013
EPR VALVE			4774089	4774089	
TRIAC AND ASSEMBLY	4644008	4844018	4644008	4844008	4644018
DRIER	4304194	4304194	4304194	4304194	4304194
ACCUMULATOR	4724004				
DRAIN HEATER		4849026			4849026
DEFROST TERMINATION STAT		4974053			4974053
DEFROST HEATER		4874037			4874037

**9989750
24VAC PCB & COIN POWER HARNESS**



9989750

**1579008
16 CONDUCTOR RIBBON CABLE**



1579008

**1579024
JUMPER GUM & MINT INTERFACE**



**1579009
MONETARY DOOR SWITCH JUMPER**



1579009

Figure 81. Wiring Harnesses (Part 1 of 18)

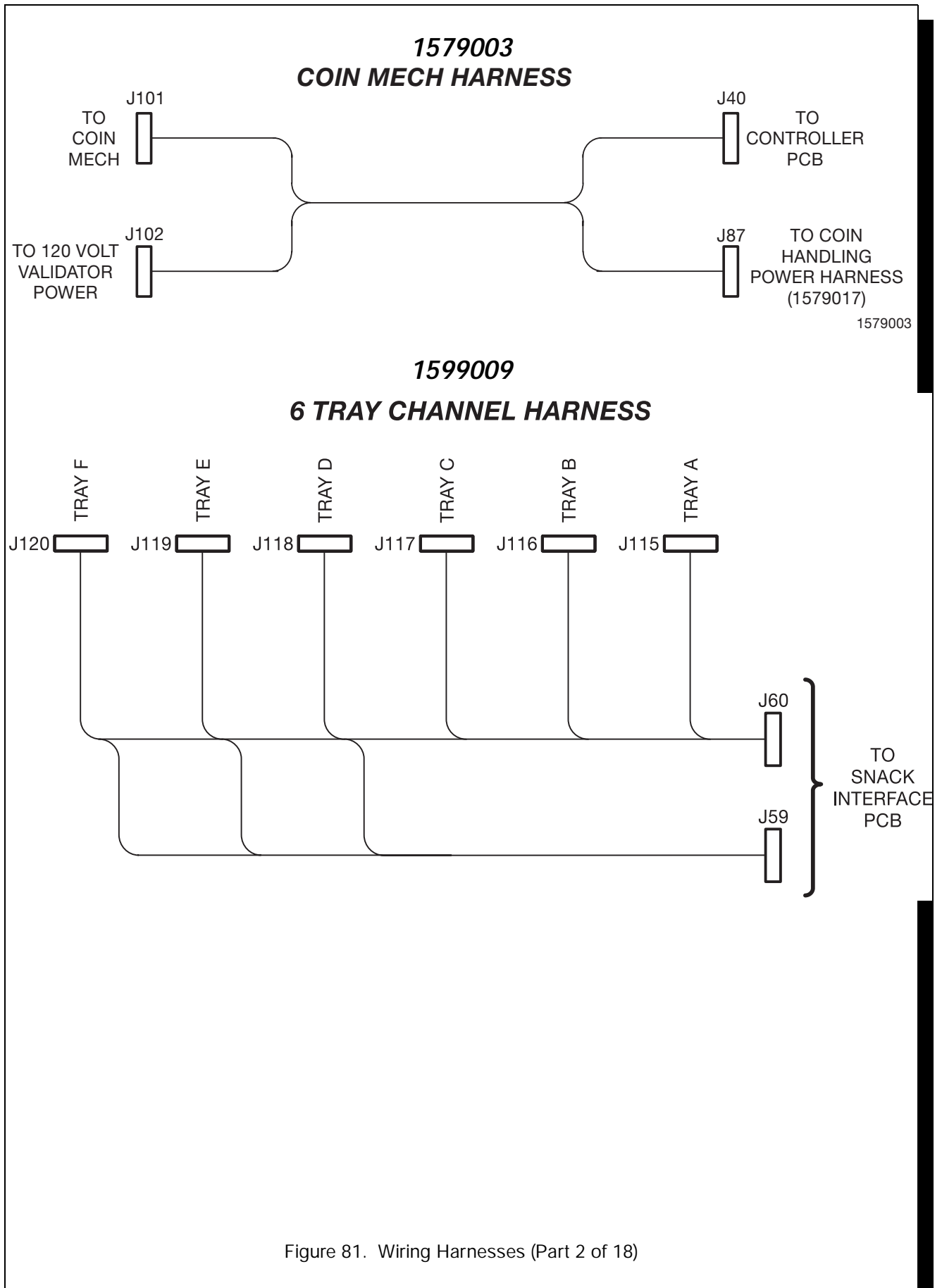


Figure 81. Wiring Harnesses (Part 2 of 18)

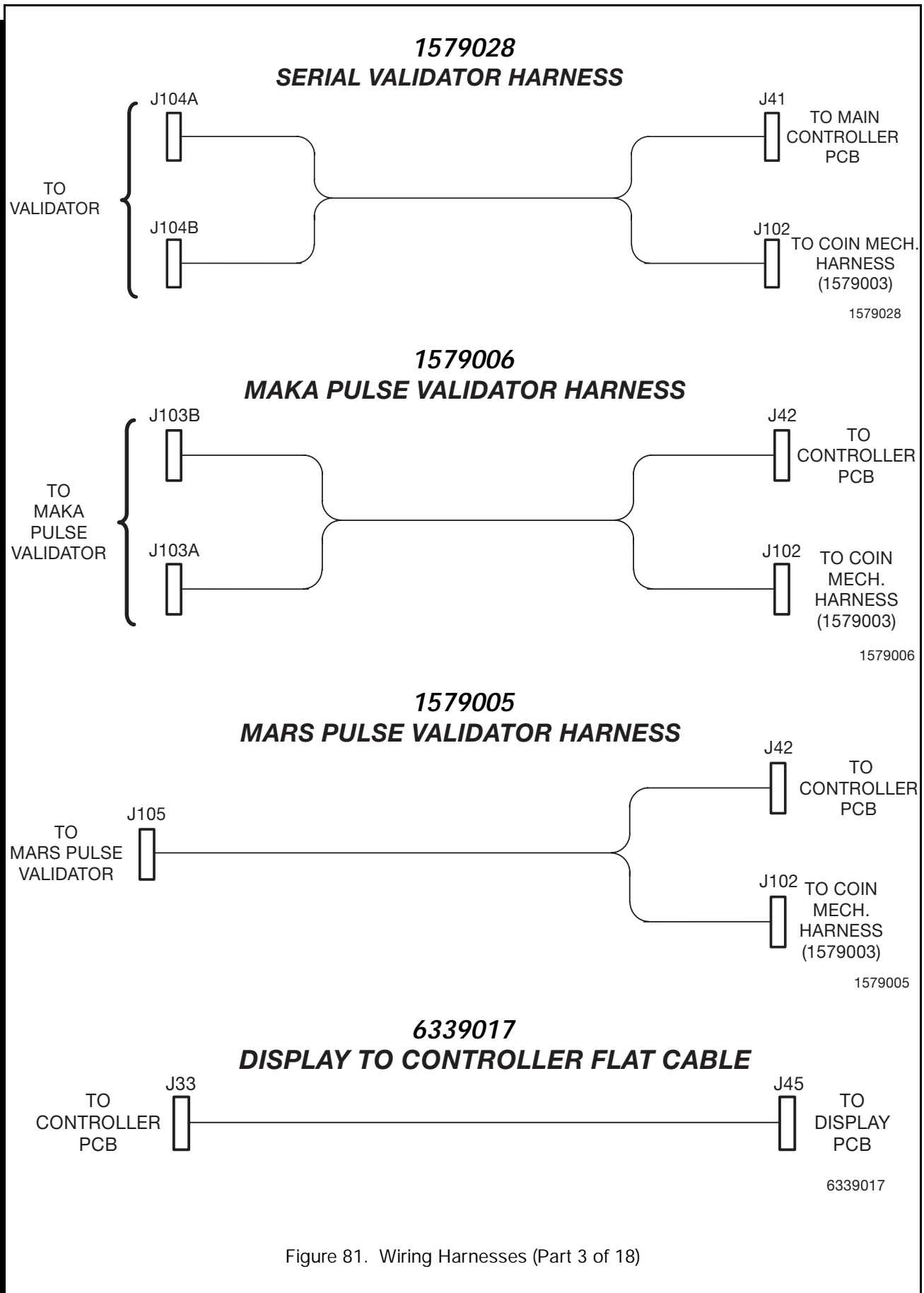


Figure 81. Wiring Harnesses (Part 3 of 18)

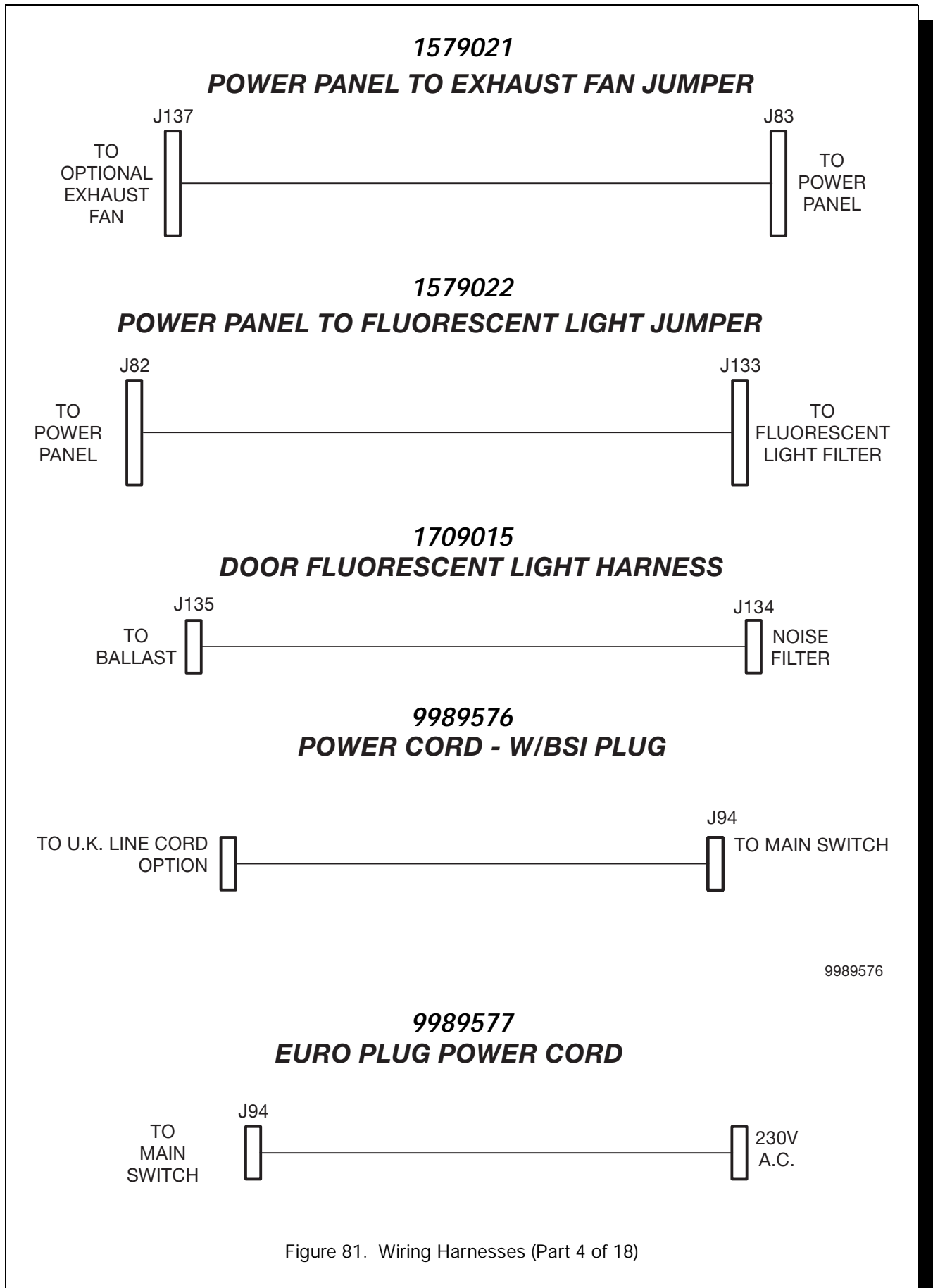


Figure 81. Wiring Harnesses (Part 4 of 18)

**9989706
MDB HARNESS**

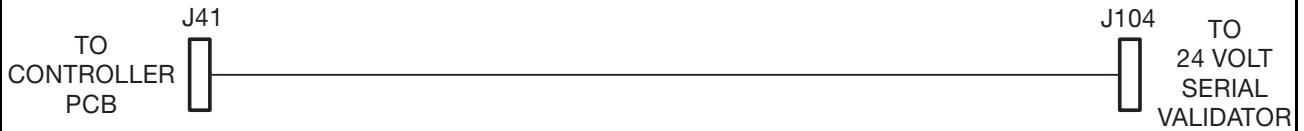


**9989637
JUMPER BLOWER**



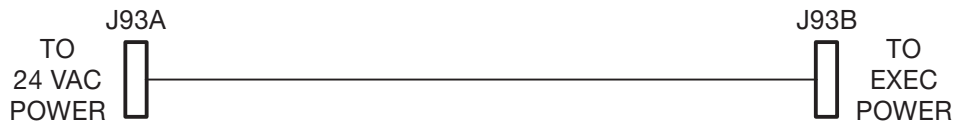
9989637

**1579032
HARNESS - SERIAL VALIDATORS
-24 VOLTS**



1579032

**9989718
24V VALIDATOR JUMPER**



9989718

Figure 81. Wiring Harnesses (Part 5 of 18)

4849004
JUMPER - INTERLOCK - DOMESTIC



1579010
JUMPER - INTERLOCK - DOMESTIC

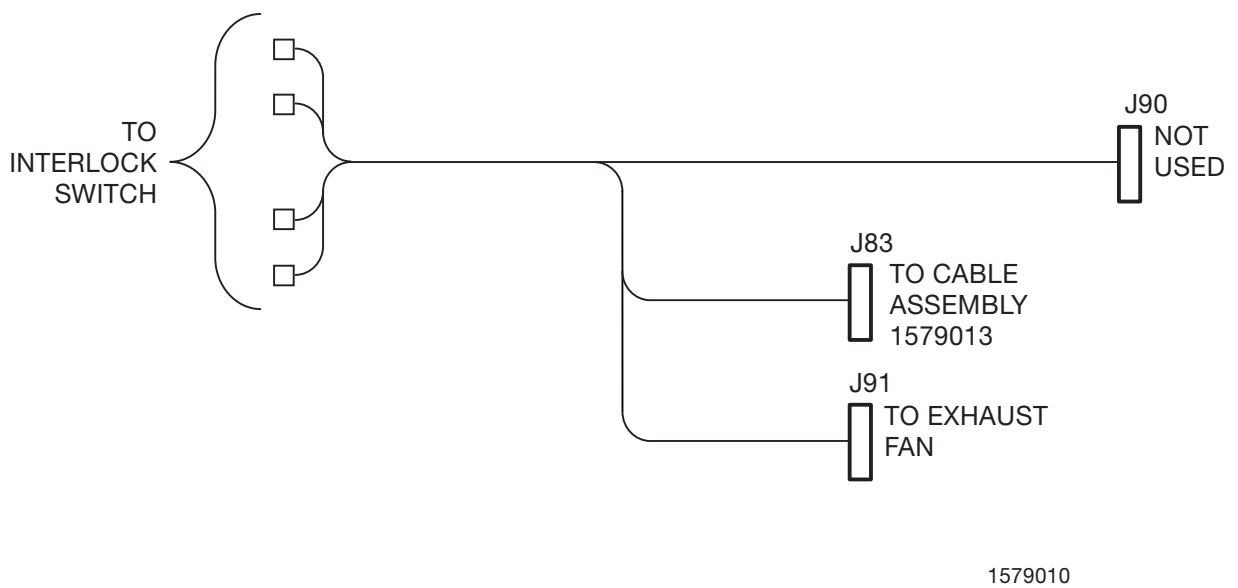
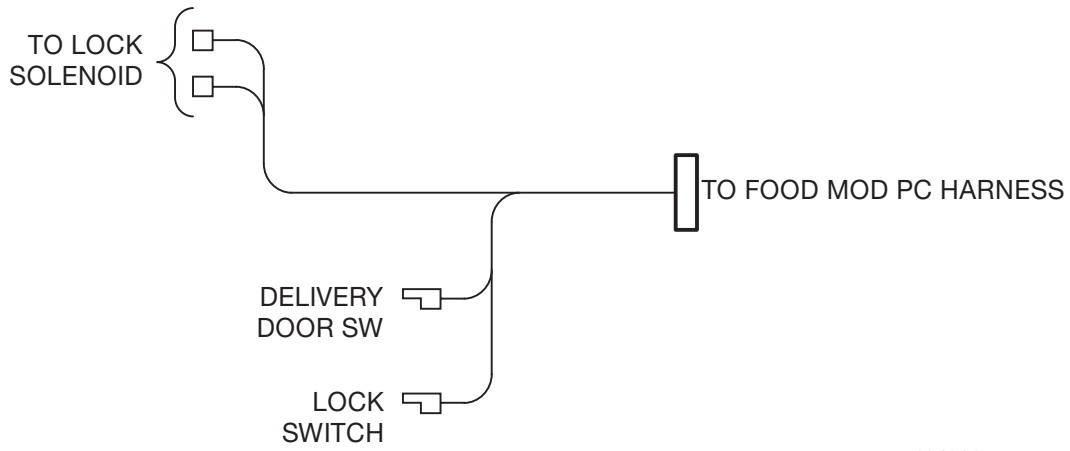


Figure 81. Wiring Harnesses (Part 6 of 18)

4849027
DELIVERY PAN LOCK SOLENOID HARNESS



4849027

4849002
POWER PANEL TO COMPRESSOR JUMPER

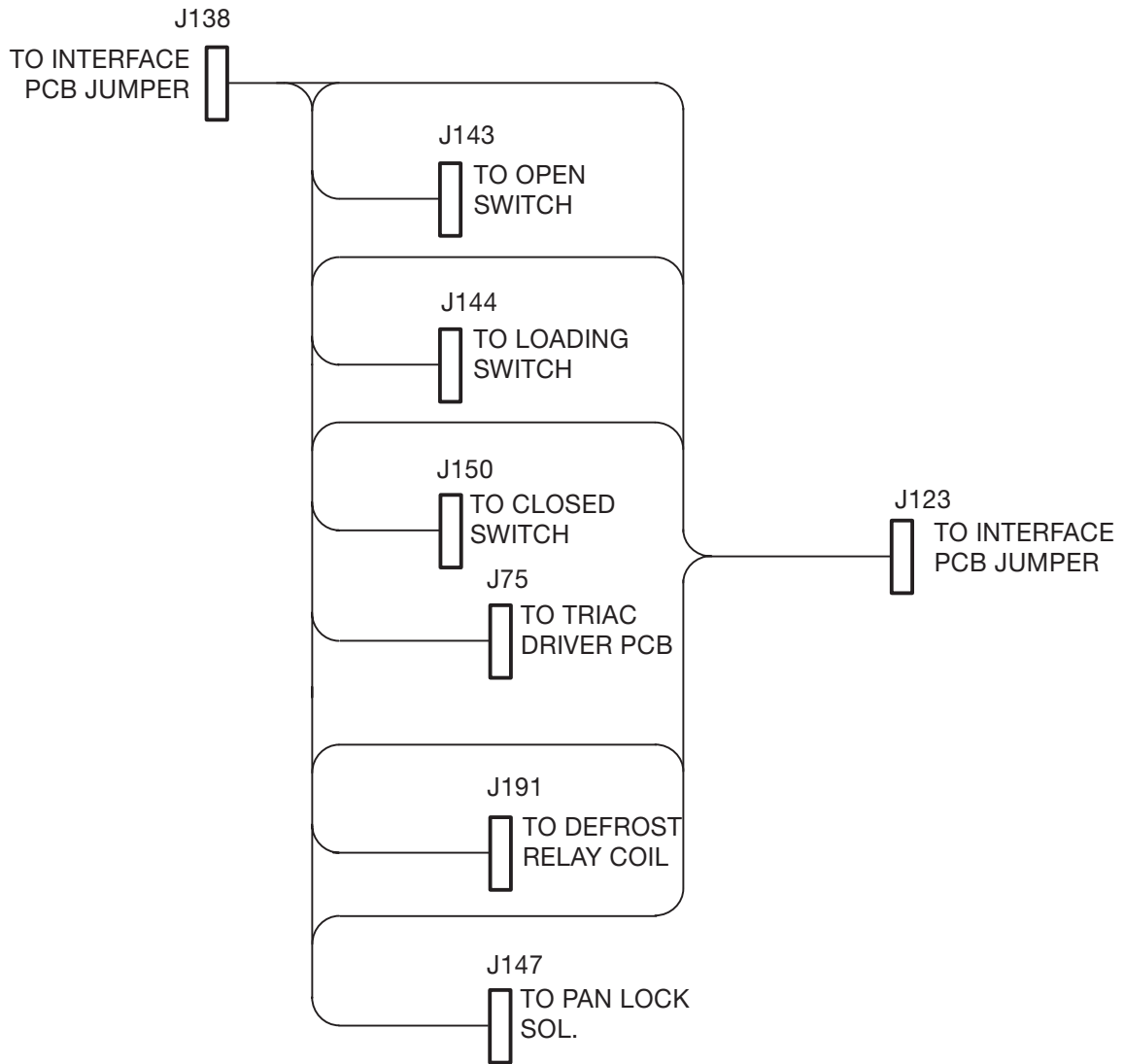


1599010
3 TRAY CHANNEL HARNESS



Figure 81. Wiring Harnesses (Part 7 of 18)

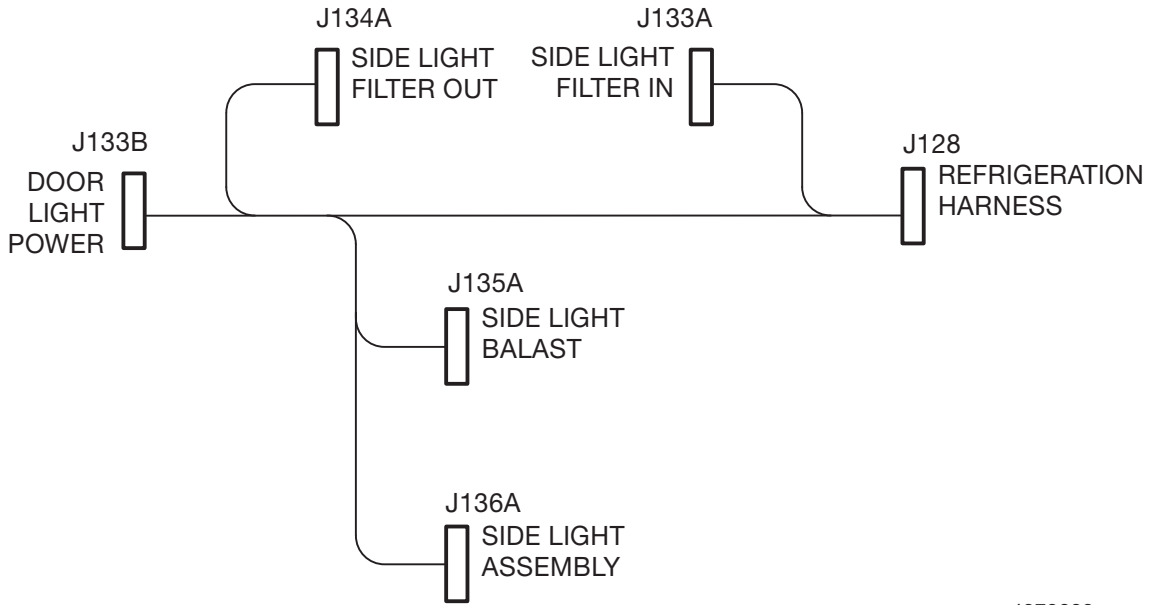
4979008
HARNESS - FOOD/FRZN MOD. - DC



4979008

Figure 81. Wiring Harnesses (Part 8 of 18)

4979009
SIDE PANEL & DOOR FLUORESCENT LIGHT HARNESS



4979009

Figure 81. Wiring Harnesses (Part 9 of 18)

4979007
POWER PANEL AC HARNESS

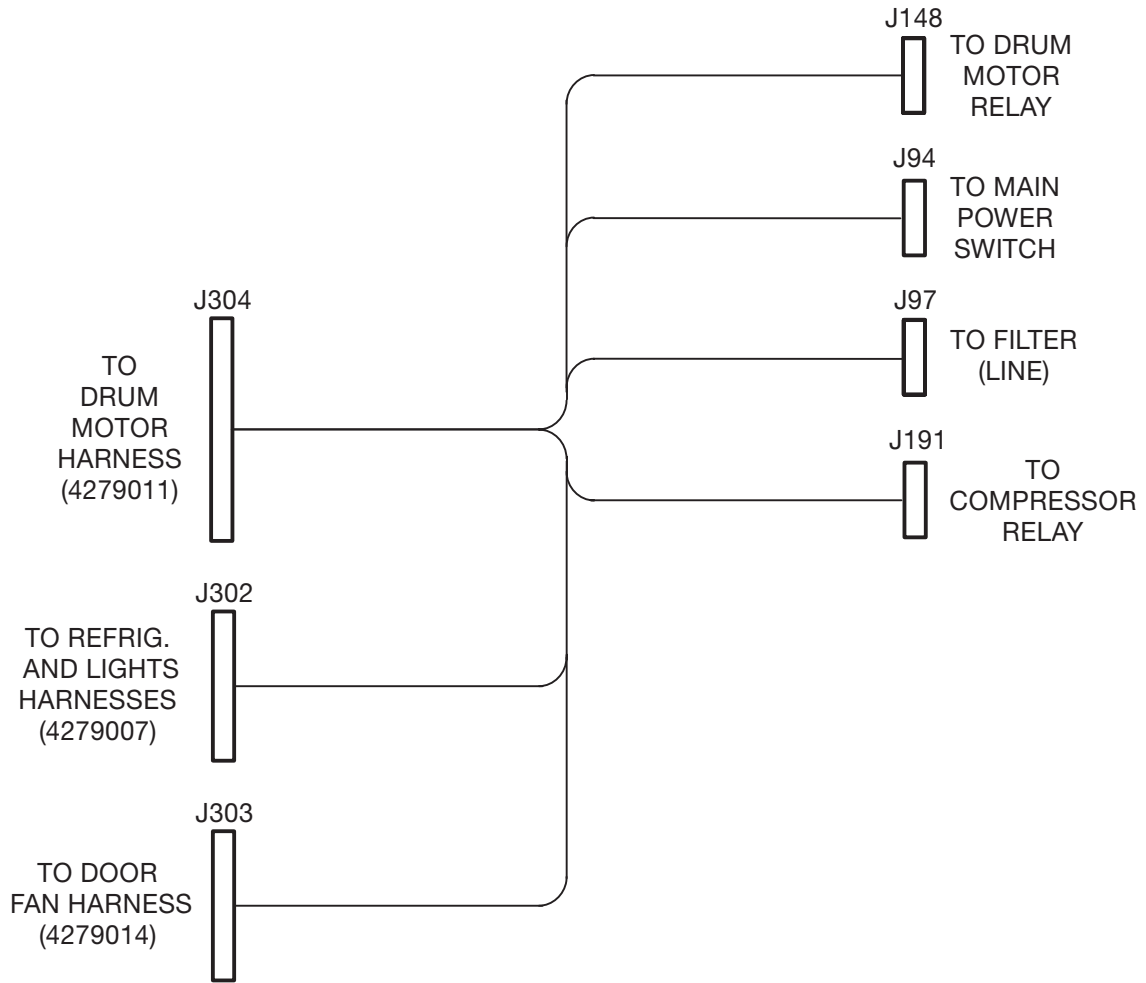
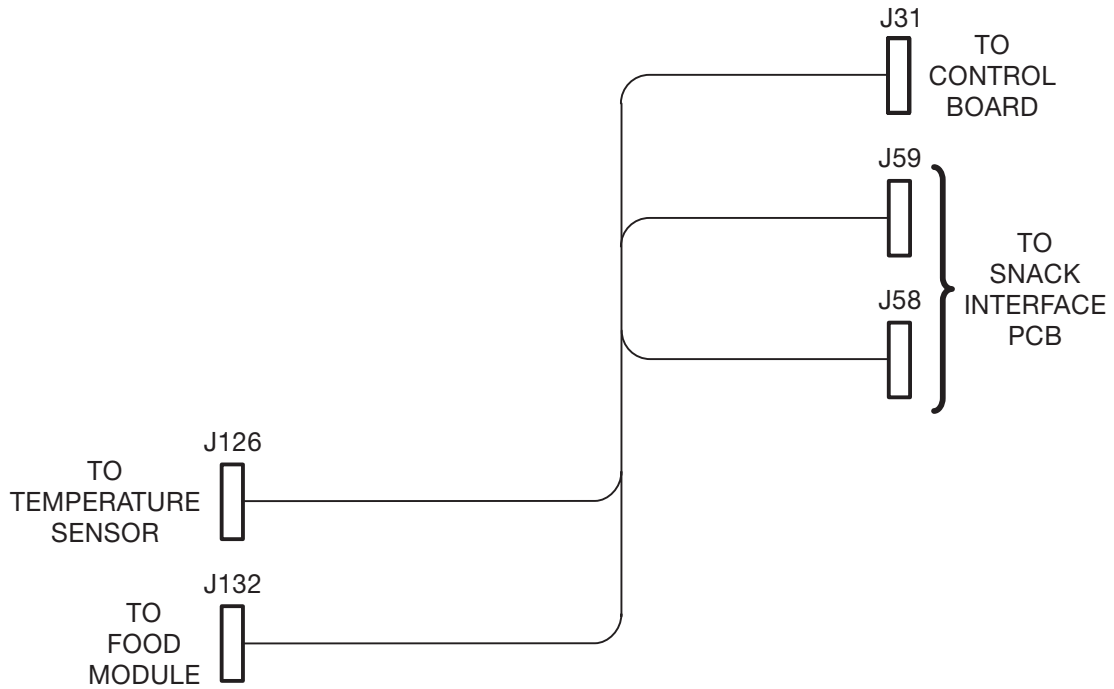


Figure 81. Wiring Harnesses (Part 10 of 18)

4849014
FOOD MODULE TO PCB HARNESS



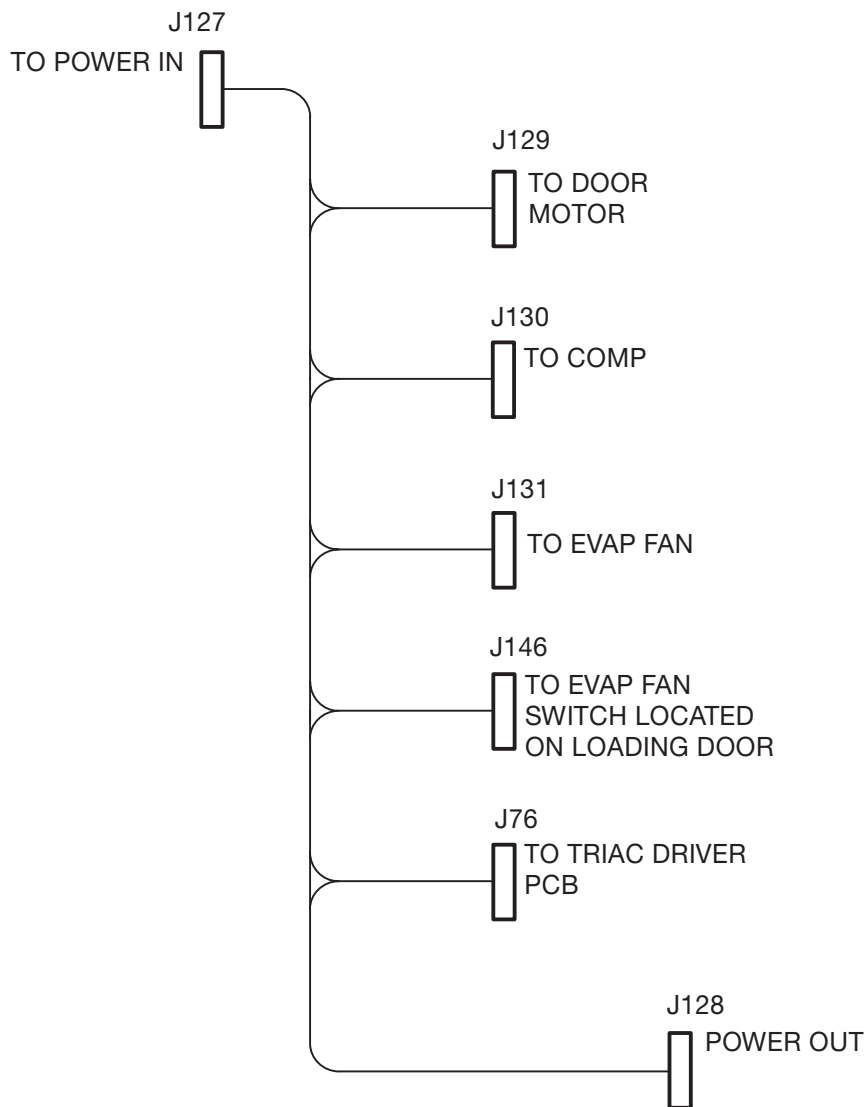
4849008
FOOD MODULE FLUORESCENT LIGHT HARNESS



4849008

Figure 81. Wiring Harnesses (Part 11 of 18)

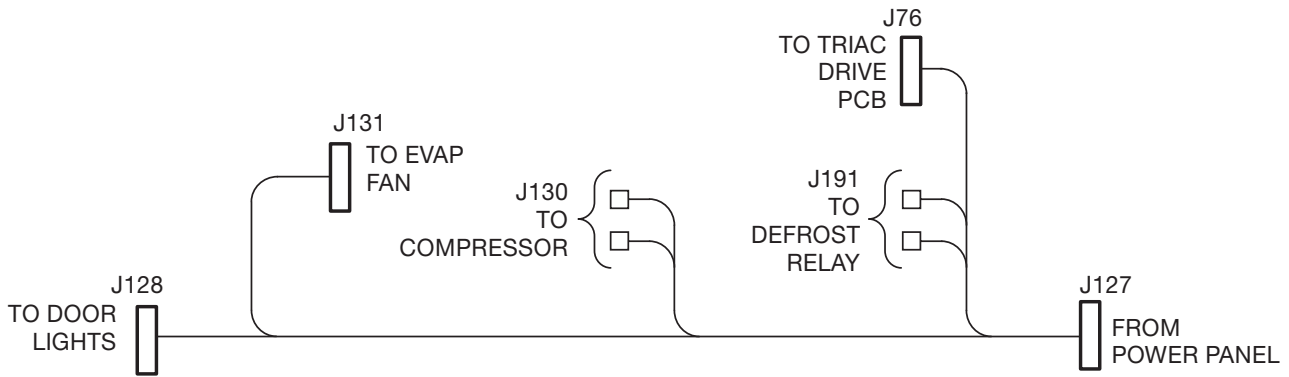
4849022
HARNESS - FOOD MOD. COMP.



4849022

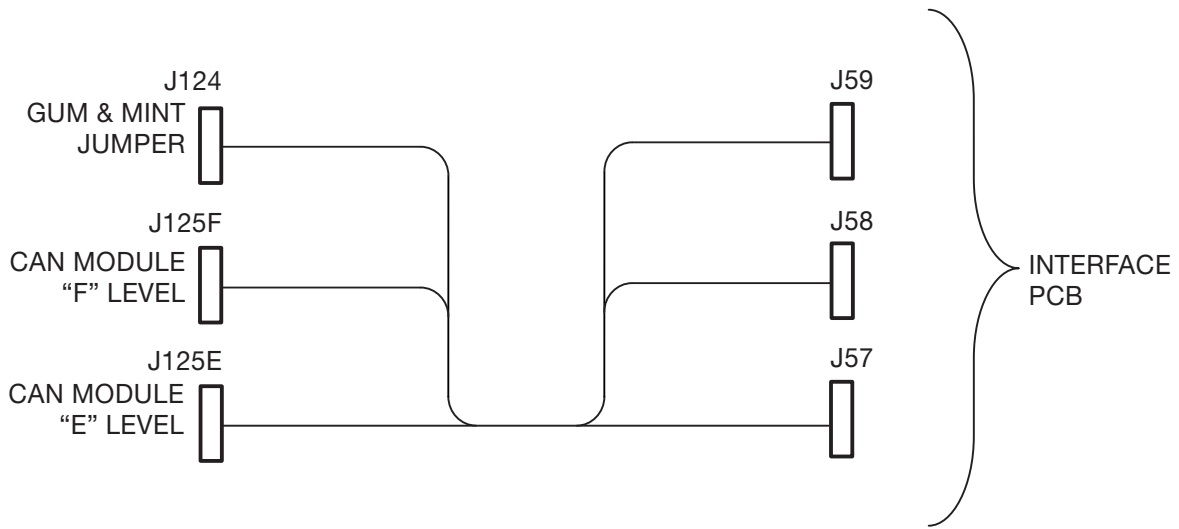
Figure 81. Wiring Harnesses (Part 12 of 18)

**4849025
CAN/CHILLER COMPRESSOR HARNESS**



4849025

**4974023
JUMPER - CAN, GUM & MINT**



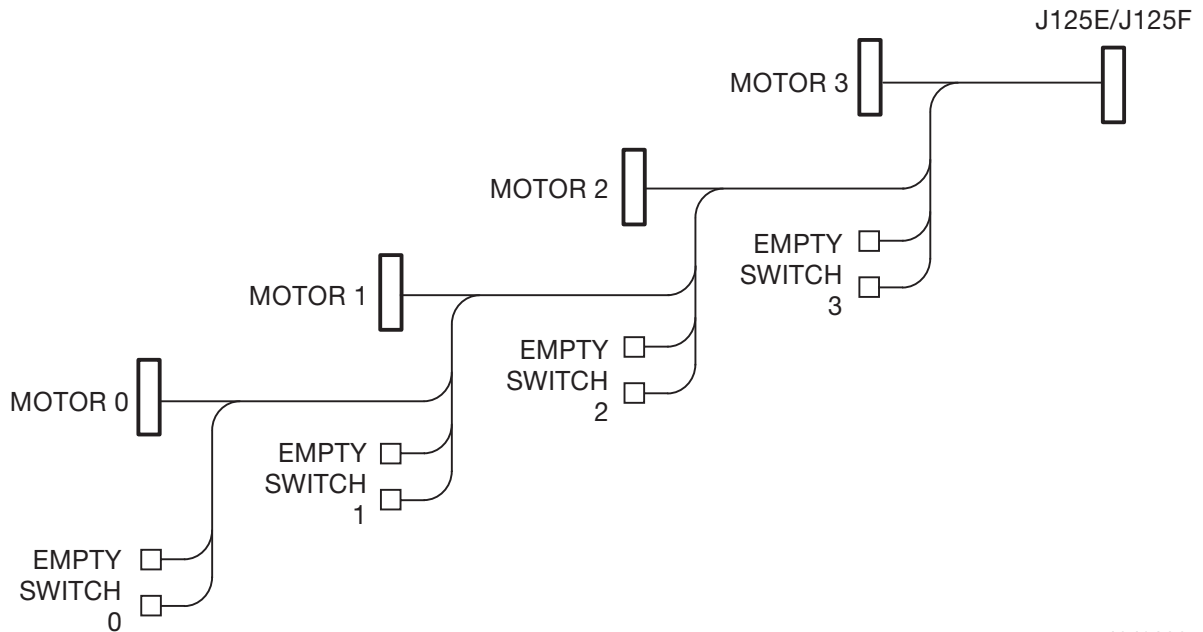
4974023

Figure 81. Wiring Harnesses (Part 13 of 18)

4849020
TEMPERATURE SENSOR & COMPRESSOR HARNESS



4849028
HARNESS - CAN EJECTORS



4849028

4849003
COMPRESSOR TO FLUORESCENT LIGHT JUMPER



Figure 81. Wiring Harnesses (Part 14 of 18)

4849016
HARNESS - DOOR GLASS HTR. INTERLOCK - FROZEN



6339000
INTERLOCK TO EXHAUST HARNESS



4402010
FLAT CABLE ASSEMBLY

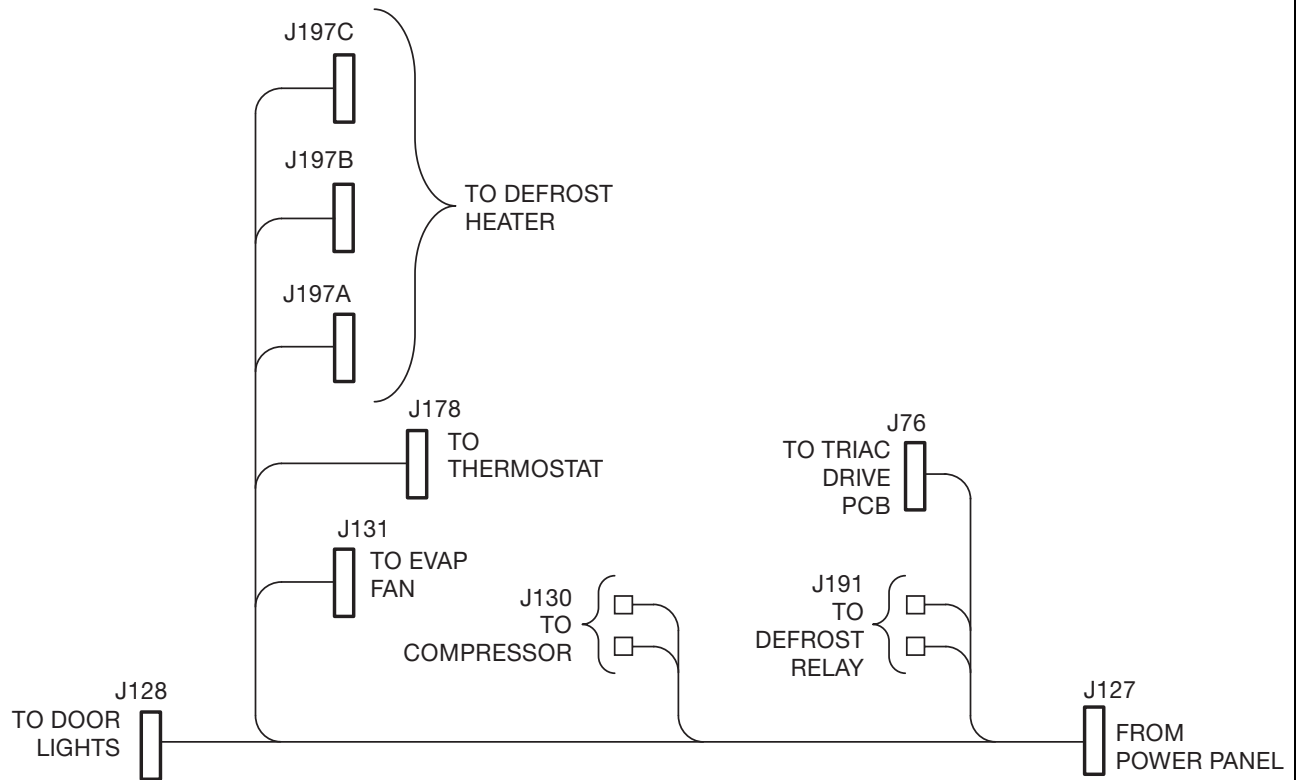


9989697
POWER CORD - CHILE / ITALY



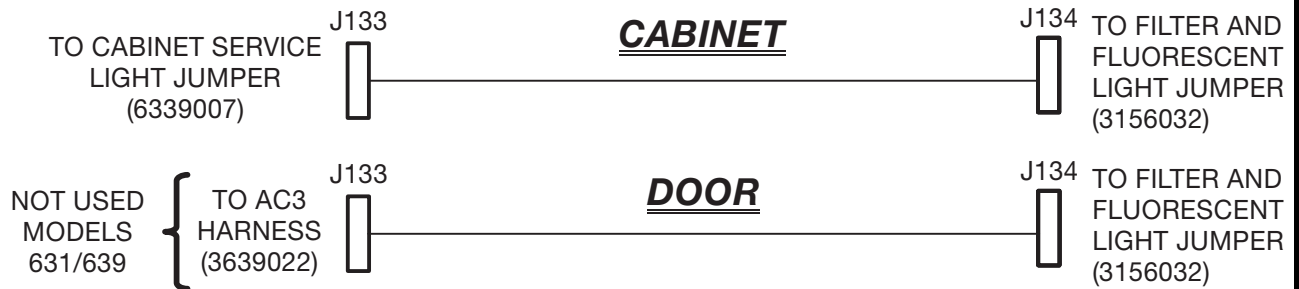
Figure 78. Wiring Harnesses (Part 15 of 18)

4849023
FROZEN FOOD MODULE COMPRESSOR HARNESS



4849023

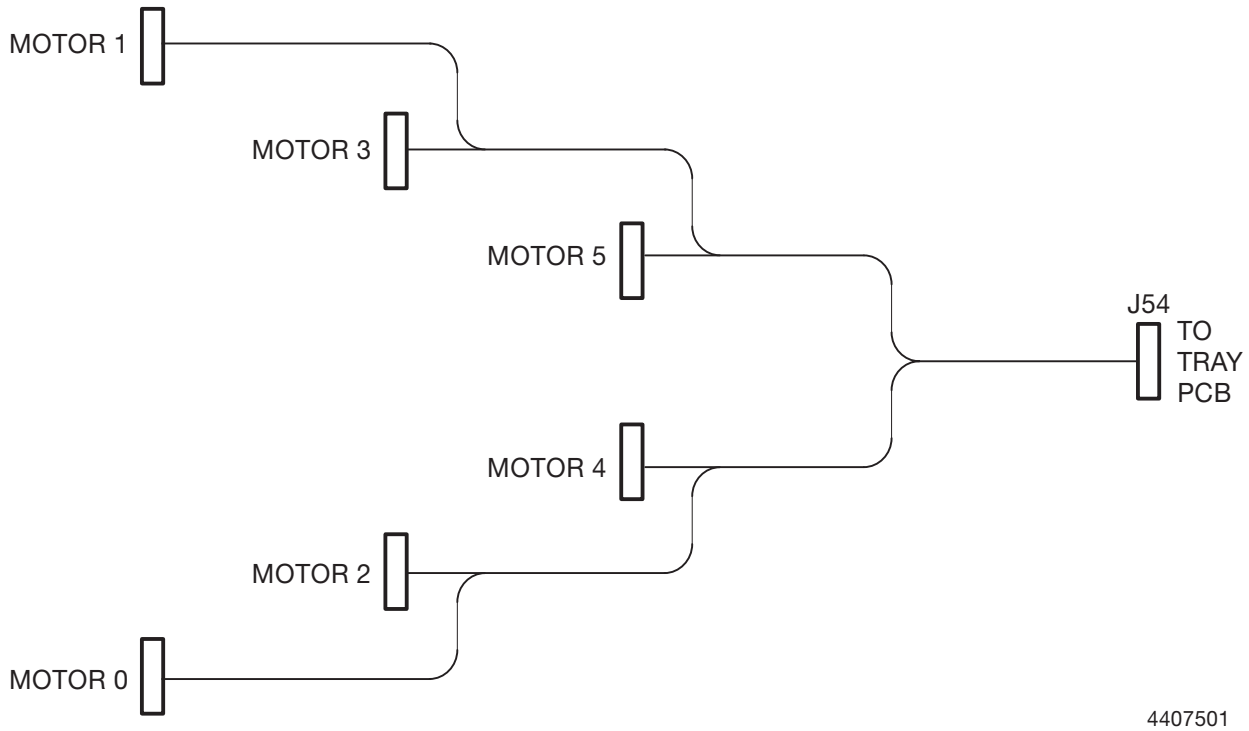
1451124
SUPPRESSION NETWORK ASSEMBLY



1451124

Figure 81. Wiring Harnesses (Part 16 of 18)

4407501
HARNESS - 6 MOTOR - FOOD MODULE

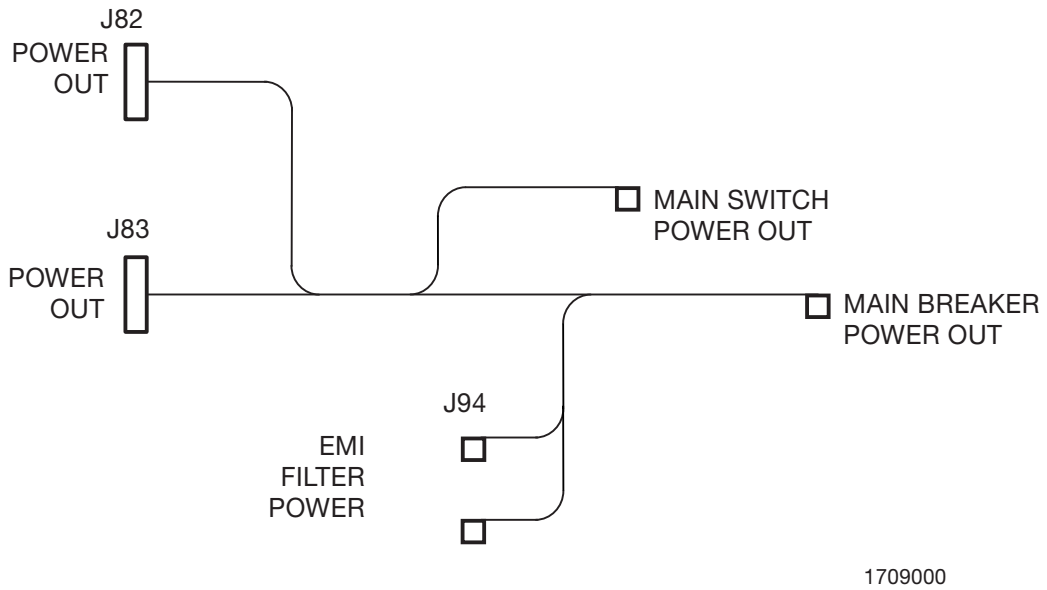


4407009
JUMPER - CHANNEL PC BOARD - FD. MOD.



Figure 81. Wiring Harnesses (Part 17 of 18)

**1709000
HARNESS - POWER PANEL**



9989712

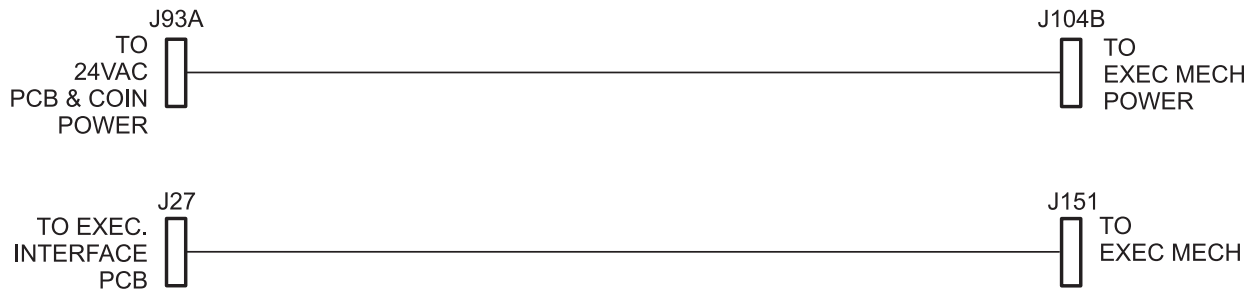


Figure 81. Wiring Harnesses (Part 18 of 18)

