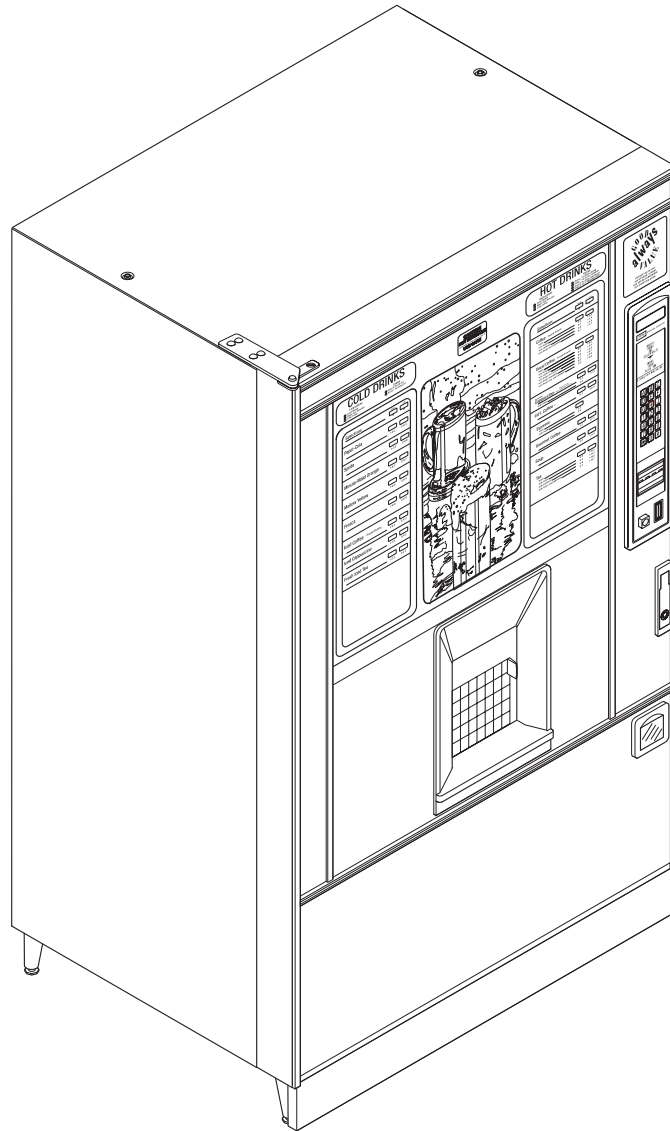


Models 363 / 364 / 365

Twin Drink Center



PARTS MANUAL

12955 Enterprise Way
Bridgeton, Missouri 63044-1200
(314) 298-3500

3630001

Copyright © 9-98



LIST OF FIGURES

FIGURE	PAGE
FIGURE 1. 363/364/365 MERCHANDISER	1
FIGURE 2. DOOR ASSEMBLY - EXTERIOR	2
FIGURE 3. BASE PLATE ASSEMBLY	4
FIGURE 4. LEG, LEVELER, AND LEG AND HINGE ASSEMBLIES	6
FIGURE 5. DOOR ASSEMBLY - INTERIOR	8
FIGURE 10. TRIM AND PANELS - IMPERIAL CROWN AND SIGNATURE STYLES	18
FIGURE 11. TRIM MOUNTING DETAILS - IMPERIAL CROWN AND SIGNATURE STYLES	22
FIGURE 12. TRIM - MILLENIA STYLE (PART 1 OF 3)	24
FIGURE 13. TRIM - MILLENIA STYLE (PART 2 OF 3)	26
FIGURE 14. TRIM - MILLENIA STYLE (PART 3 OF 3)	28
FIGURE 15. DOOR HINGE ASSEMBLIES	30
FIGURE 16. MONETARY PANEL ASSEMBLY (PART 1 OF 3)	32
FIGURE 16. MONETARY PANEL ASSEMBLY (PART 2 OF 3)	34
FIGURE 16. MONETARY PANEL ASSEMBLY (PART 3 OF 3)	36
FIGURE 17. CARD READER AND BILL VALIDATOR COMBINATIONS	42
FIGURE 18. MONETARY CHANNEL ASSEMBLY	44
FIGURE 19. COIN RECEPTACLE ASSEMBLY	46
FIGURE 20. DOOR LOCK ASSEMBLY	48
FIGURE 21. STANDARD DOOR LOCK AND HANDLE ASSEMBLY	50
FIGURE 22. MILLENNIA DOOR LOCK AND HANDLE ASSEMBLY	52
FIGURE 23. MECH AND CANISTER ASSEMBLY - 4 COLUMN 12/18 OZ.	54
FIGURE 24. TURRET AND CANISTER ASSEMBLY - 12/18 OZ.	56
FIGURE 25. 12 - 18 OZ. MECHANISM ASSEMBLY	58
FIGURE 26. CUP RING ASSEMBLY - 12-16 OZ.	60
FIGURE 27. MECH AND CANISTER ASSEMBLY - 11 COLUMN	62
FIGURE 28. TURRET AND CANISTER ASSEMBLY - 7 COLUMN	64
FIGURE 29. TURRET AND CANISTER ASSEMBLY - 4 COLUMN	66
FIGURE 30. MECHANISM ASSEMBLY - 11 COLUMN	68
FIGURE 31. CUP RING ASSEMBLY (5 OZ TO 12 OZ)	70
FIGURE 32. AUTOMATIC DELIVERY DOOR	72
FIGURE 33. FLUORESCENT LAMP ASSEMBLY AND BALLAST	74
FIGURE 34. DISPLAY ASSEMBLY (PART 1 OF 2)	76
FIGURE 35. DISPLAY ASSEMBLY (PART 2 OF 2)	78
FIGURE 36. MISCELLANEOUS MOUNTED PARTS - CABINET (PART 1 OF 6)	80
FIGURE 37. MISCELLANEOUS MOUNTED PARTS - CABINET (PART 2 OF 6)	82
FIGURE 38. MISCELLANEOUS MOUNTED PARTS - CABINET (PART 3 OF 6)	84
FIGURE 39. MISCELLANEOUS MOUNTED PARTS - CABINET (PART 4 OF 6)	86
FIGURE 40. MISCELLANEOUS MOUNTED PARTS - CABINET (PART 5 OF 6)	88
FIGURE 41. MISCELLANEOUS MOUNTED PARTS - CABINET (PART 6 OF 6)	90
FIGURE 42. BRACKET, BLOWER, AND COVER ASSEMBLY	92
FIGURE 43. HOT WATER TANK ASSEMBLY	94
FIGURE 44. WATER TANK LID ASSEMBLY	96
FIGURE 45. SERVICE LIGHT/BRACKET ASSEMBLY	98
FIGURE 46. SERVICE LIGHT/BRACKET ASSEMBLY - 230 VOLTS	100
FIGURE 47. CUP DELIVERY ASSEMBLY	102
FIGURE 48. CUP STATION SUPPORT, OVERFLOW SWITCH, AND CUP SENSOR	104
FIGURE 49. SUPPORT ASSEMBLY - CUP STATION	106
FIGURE 50. OVERFLOW SWITCH ASSEMBLY	108
FIGURE 51. ICEMAKER ASSEMBLY (PART 1 OF 8)	110
FIGURE 52. ICEMAKER ASSEMBLY (PART 2 OF 8)	112
FIGURE 53. ICEMAKER ASSEMBLY (PART 3 OF 8)	114



FIGURE	PAGE
FIGURE 54. ICEMAKER ASSEMBLY (PART 4 OF 8) - GEAR AND MOTOR ASSEMBLY	116
FIGURE 55. ICEMAKER ASSEMBLY (PART 5 OF 8) - HOPPER AND EVAPORATOR ASSEMBLY	118
FIGURE 56. ICEMAKER ASSEMBLY (PART 6 OF 8) - CONTROL ASSEMBLY - ICE LEVEL	120
FIGURE 57. ICEMAKER ASSEMBLY (PART 7 OF 8) - WATER FEEDER ASSEMBLY	122
FIGURE 58. ICEMAKER ASSEMBLY (PART 8 OF 8) - PUMP AND VALVE ASSEMBLY - COOL-SAN	124
FIGURE 59. POWER PANEL ASSEMBLY - U.S.	126
FIGURE 60. POWER PANEL ASSEMBLY - U.K.	128
FIGURE 61. POWER PANEL ASSEMBLY (FR./GER./S.A./SP.)	130
FIGURE 62. FILTER LOCATOR AND BRACKET ASSEMBLY	132
FIGURE 63. SINGLE BREWER ASSEMBLY (NO FILTER)	134
FIGURE 64. SINGLE BREWER ASSEMBLY (WITH FILTER)	136
FIGURE 65. BARREL ASSEMBLY - SINGLE BREWER	138
FIGURE 66. RACK ASSEMBLY - SINGLE BREWER	140
FIGURE 67. PAPER MECHANISM ASSEMBLY - SINGLE BREWER	141
FIGURE 68. BREWER DRIVE ASSEMBLY	142
FIGURE 69. FILTER PAPER HOUSING AND BRACKET ASSEMBLY	144
FIGURE 70. CANISTER POSITIONS	145
FIGURE 71. CANISTER ASSEMBLY 6237447	146
FIGURE 72. CANISTER ASSEMBLY 6237448	148
FIGURE 73. CANISTER ASSEMBLY 6237446	150
FIGURE 74. CANISTER ASSEMBLY 6237445	152
FIGURE 75. CANISTER ASSEMBLY 6337023	154
FIGURE 76. CANISTER ASSEMBLY 6237423	156
FIGURE 77. CANISTER ASSEMBLY 6237449	158
FIGURE 78. CANISTER ASSEMBLY 6237450	160
FIGURE 79. PRODUCT AND CONDIMENT CHUTES	162
FIGURE 80. PRODUCT DELIVERY CHUTE ASSEMBLY USAGE	164
FIGURE 81. CANISTER SUPPORT CHANNEL ASSEMBLY	166
FIGURE 82. MIXING BOWL AND WHIPPER POSITIONS	168
FIGURE 83. MIXING BOWL AND WHIPPER ASSEMBLIES	170
FIGURE 84. REGULATOR ASSEMBLY	172
FIGURE 85. VENTILATION ASSEMBLIES	174
FIGURE 86. SHELF VENT ASSEMBLIES	176
FIGURE 87. VENT ASSEMBLIES	178
FIGURE 88. INGREDIENT DRAIN TRAY ACCESSORY	180
FIGURE 89. MOTOR AND PLATE ASSEMBLY	182
FIGURE 91. AIR COMPRESSOR - 115 VOLTS	186
FIGURE 92. AIR COMPRESSOR - 230 VOLTS	188
FIGURE 93. COLD SECTION - MISCELLANEOUS MOUNTED PARTS	190
FIGURE 94. CARBONATOR PUMP ASSEMBLY	192
FIGURE 95. COLD PLATE ASSEMBLY	194
FIGURE 96. CARBONATOR FINAL ASSEMBLY	196
FIGURE 97. VALVE AND REGULATOR ASSEMBLY	198
FIGURE 98. SINGLE INLET VALVE ASSEMBLY	200
FIGURE 99. WATER SUPPLY - WITH HYDROLIFE WATER FILTER OPTION	202
FIGURE 100. PUMP AND BRACKET ASSEMBLY	204
FIGURE 101. BAG-IN-BOX CONNECTORS	206
FIGURE 102. SYRUP TANK COMPONENTS	208
FIGURE 103. INTERLOCK SWITCH AND BRACKET	210
FIGURE 104. WIRING HARNESSSES (PART 1 OF 16)	212
FIGURE 104. WIRING HARNESSSES (PART 2 OF 16)	213
FIGURE 104. WIRING HARNESSSES (PART 3 OF 16)	214



FIGURE	PAGE
FIGURE 104. WIRING HARNESSSES (PART 4 OF 16).....	215
FIGURE 104. WIRING HARNESSSES (PART 5 OF 16).....	216
FIGURE 104. WIRING HARNESSSES (PART 6 OF 16).....	217
FIGURE 104. WIRING HARNESSSES (PART 7 OF 16).....	218
FIGURE 104. WIRING HARNESSSES (PART 8 OF 16).....	219
FIGURE 104. WIRING HARNESSSES (PART 9 OF 16).....	220
FIGURE 104. WIRING HARNESSSES (PART 10 OF 16).....	221
FIGURE 104. WIRING HARNESSSES (PART 11 OF 16).....	222
FIGURE 104. WIRING HARNESSSES (PART 12 OF 16).....	223
FIGURE 104. WIRING HARNESSSES (PART 13 OF 16).....	224
FIGURE 104. WIRING HARNESSSES (PART 14 OF 16).....	225
FIGURE 104. WIRING HARNESSSES (PART 15 OF 16).....	226
FIGURE 104. WIRING HARNESSSES (PART 16 OF 16).....	227



This Page Intentionally Left Blank



LIST OF TABLES

TABLE	PAGE
TABLE 1. 363/364/365 MERCHANDISER	1
TABLE 2. DOOR ASSEMBLY - EXTERIOR	3
TABLE 3. BASE PLATE ASSEMBLY	5
TABLE 4. LEG, LEVELER, AND LEG AND HINGE ASSEMBLIES	7
TABLE 5. DOOR ASSEMBLY - INTERIOR	9
TABLE 6. BAG ASSEMBLY PARTS B3630004 - U.S.	10
TABLE 7. BAG ASSEMBLY PARTS B3630005 - U.K.	12
TABLE 8. BAG ASSEMBLY PARTS B3630007 - GERMANY	14
TABLE 9. BAG ASSEMBLY PARTS B3630002 - FRANCE	16
TABLE 10. TRIM AND PANELS - IMPERIAL CROWN AND SIGNATURE STYLES	19
TABLE 10 A. PANEL - TOP (ITEM NUMBER 1) DETAIL	19
TABLE 10 B. PANEL - RIGHT (ITEM NUMBER 7) DETAIL	20
TABLE 10 C. PANEL - RIGHT CENTER (ITEM NUMBER 8) DETAIL	20
TABLE 10 D. PANEL - LEFT CENTER (ITEM NUMBER 9) DETAIL	20
TABLE 10 E. PANEL - BOTTOM (ITEM NUMBER 10) DETAIL	21
TABLE 10 F. PANEL - LEFT (ITEM NUMBER 12) DETAIL	21
TABLE 11. TRIM MOUNTING DETAILS - IMPERIAL CROWN AND SIGNATURE STYLES	23
TABLE 12. TRIM - MILLENIA STYLE (PART 1 OF 3)	25
TABLE 13. TRIM - MILLENIA STYLE (PART 2 OF 3)	27
TABLE 14. TRIM - MILLENIA STYLE (PART 3 OF 3)	29
TABLE 15. DOOR HINGE ASSEMBLIES	31
TABLE 16. MONETARY PANEL ASSEMBLY (PART 1 OF 3)	33
TABLE 16. MONETARY PANEL ASSEMBLY (PART 2 OF 3)	35
TABLE 16. MONETARY PANEL ASSEMBLY (PART 3 OF 3)	37
TABLE 16 A. MONETARY LOCATION OPTIONS	38
TABLE 16 B. BILL VALIDATOR OPTIONS	39
TABLE 16 C. COIN MECHANISM OPTIONS	39
TABLE 16 D. CARD READERS	39
TABLE 16 E. MONETARY CAPABILITY (PART 1)	40
TABLE 16 E. MONETARY CAPABILITY (PART 2)	41
TABLE 17. CARD READER AND BILL VALIDATOR COMBINATIONS	43
TABLE 18. MONETARY CHANNEL ASSEMBLY	45
TABLE 19. COIN RECEPTACLE ASSEMBLY	47
TABLE 20. DOOR LOCK ASSEMBLY	49
TABLE 21. STANDARD DOOR LOCK AND HANDLE ASSEMBLY	51
TABLE 22. MILLENNIA DOOR LOCK AND HANDLE ASSEMBLY	53
TABLE 23. MECH AND CANISTER ASSEMBLY - 4 COLUMN 12/18 OZ.	55
TABLE 24. TURRET AND CANISTER ASSEMBLY - 12/18 OZ.	57
TABLE 25. 12 - 18 OZ. MECHANISM ASSEMBLY	59
TABLE 26. CUP RING ASSEMBLY - 12-16 OZ.	61
TABLE 27. MECH AND CANISTER ASSEMBLY - 11 COLUMN	63
TABLE 28. TURRET AND CANISTER ASSEMBLY - 7 COLUMN	65
TABLE 29. TURRET AND CANISTER ASSEMBLY - 4 COLUMN	67
TABLE 30. MECHANISM ASSEMBLY - 11 COLUMN	69
TABLE 31. CUP RING ASSEMBLY (5 OZ TO 12 OZ)	71
TABLE 32. AUTOMATIC DELIVERY DOOR	73
TABLE 33. FLUORESCENT LAMP ASSEMBLY AND BALLAST	75
TABLE 34. DISPLAY ASSEMBLY (PART 1 OF 2)	77
TABLE 35. DISPLAY ASSEMBLY (PART 2 OF 2)	79
TABLE 36. MISCELLANEOUS MOUNTED PARTS - CABINET (PART 1 OF 6)	81
TABLE 37. MISCELLANEOUS MOUNTED PARTS - CABINET (PART 2 OF 6)	83



TABLE	PAGE
TABLE 38. MISCELLANEOUS MOUNTED PARTS - CABINET (PART 3 OF 6)	85
TABLE 39. MISCELLANEOUS MOUNTED PARTS - CABINET (PART 4 OF 6)	87
TABLE 40. MISCELLANEOUS MOUNTED PARTS - CABINET (PART 5 OF 6)	89
TABLE 41. MISCELLANEOUS MOUNTED PARTS - CABINET (PART 6 OF 6)	91
TABLE 42. BRACKET, BLOWER, AND COVER ASSEMBLY	93
TABLE 43. HOT WATER TANK ASSEMBLY	95
TABLE 44. WATER TANK LID ASSEMBLY	97
TABLE 45. SERVICE LIGHT/BRACKET ASSEMBLY	99
TABLE 46. SERVICE LIGHT/BRACKET ASSEMBLY - 230 VOLTS	101
TABLE 47. CUP DELIVERY ASSEMBLY	103
TABLE 48. CUP STATION SUPPORT, OVERFLOW SWITCH, AND CUP SENSOR	105
TABLE 49. SUPPORT ASSEMBLY - CUP STATION	107
TABLE 50. OVERFLOW SWITCH ASSEMBLY	109
TABLE 51. ICEMAKER ASSEMBLY (PART 1 OF 8)	111
TABLE 52. ICEMAKER ASSEMBLY (PART 2 OF 8)	113
TABLE 53. ICEMAKER ASSEMBLY (PART 3 OF 8)	115
TABLE 54. ICEMAKER ASSEMBLY (PART 4 OF 8) - GEAR AND MOTOR ASSEMBLY	117
TABLE 55. ICEMAKER ASSEMBLY (PART 5 OF 8) - HOPPER AND EVAPORATOR ASSEMBLY	119
TABLE 56. ICEMAKER ASSEMBLY (PART 6 OF 8) - CONTROL ASSEMBLY - ICE LEVEL	121
TABLE 57. ICEMAKER ASSEMBLY (PART 7 OF 8) - WATER FEEDER ASSEMBLY	123
TABLE 58. ICEMAKER ASSEMBLY (PART 8 OF 8) - PUMP AND VALVE ASSEMBLY - COOL-SAN	125
TABLE 59. POWER PANEL ASSEMBLY - U.S.	127
TABLE 60. POWER PANEL ASSEMBLY - U.K.	129
TABLE 61. POWER PANEL ASSEMBLY (FR./GER./S.A./SP.)	131
TABLE 62. FILTER LOCATOR AND BRACKET ASSEMBLY	133
TABLE 63. SINGLE BREWER ASSEMBLY (NO FILTER)	135
TABLE 64. SINGLE BREWER ASSEMBLY (WITH FILTER)	137
TABLE 65. BARREL ASSEMBLY - SINGLE BREWER	139
TABLE 66. RACK ASSEMBLY - SINGLE BREWER	140
TABLE 67. PAPER MECHANISM ASSEMBLY - SINGLE BREWER	141
TABLE 68. BREWER DRIVE ASSEMBLY	143
TABLE 69. FILTER PAPER HOUSING AND BRACKET ASSEMBLY	144
TABLE 70. CANISTER POSITIONS	145
TABLE 71. CANISTER ASSEMBLY 6237447	147
TABLE 72. CANISTER ASSEMBLY 6237448	149
TABLE 73. CANISTER ASSEMBLY 6237446	151
TABLE 74. CANISTER ASSEMBLY 6237445	153
TABLE 75. CANISTER ASSEMBLY 6337023	155
TABLE 76. CANISTER ASSEMBLY 6237423	157
TABLE 77. CANISTER ASSEMBLY 6237449	159
TABLE 78. CANISTER ASSEMBLY 6237450	161
TABLE 79. PRODUCT AND CONDIMENT CHUTES	163
TABLE 80. PRODUCT DELIVERY CHUTE ASSEMBLY USAGE	165
TABLE 80 A. DELIVERY CHUTE 6237293 PARTS	165
TABLE 80 B. DELIVERY CHUTE 6237281 PARTS	165
TABLE 81. CANISTER SUPPORT CHANNEL ASSEMBLY	167
TABLE 82. MIXING BOWL AND WHIPPER POSITIONS	169
TABLE 83. MIXING BOWL AND WHIPPER ASSEMBLIES	171
TABLE 84. REGULATOR ASSEMBLY	173
TABLE 85. VENTILATION ASSEMBLIES	175
TABLE 86. SHELF VENT ASSEMBLIES	177
TABLE 87. VENT ASSEMBLIES	179



TABLE	PAGE
TABLE 88. INGREDIENT DRAIN TRAY ACCESSORY	181
TABLE 89. MOTOR AND PLATE ASSEMBLY	183
TABLE 90. MOTOR POSITION USAGE - BRZ./MEX./U.S.	184
TABLE 91. AIR COMPRESSOR - 115 VOLTS	187
TABLE 92. AIR COMPRESSOR - 230 VOLTS	189
TABLE 93. COLD SECTION - MISCELLANEOUS MOUNTED PARTS	191
TABLE 94. CARBONATOR PUMP ASSEMBLY	193
TABLE 95. COLD PLATE ASSEMBLY	195
TABLE 96. CARBONATOR FINAL ASSEMBLY	197
TABLE 97. VALVE AND REGULATOR ASSEMBLY	199
TABLE 98. SINGLE INLET VALVE ASSEMBLY	201
TABLE 99. WATER SUPPLY - WITH HYDROLIFE WATER FILTER OPTION	203
TABLE 100. PUMP AND BRACKET ASSEMBLY	205
TABLE 101. BAG-IN-BOX CONNECTORS	207
TABLE 102. SYRUP TANK COMPONENTS	209
TABLE 103. INTERLOCK SWITCH AND BRACKET	211



The National Vendors Engineering team is constantly improving our products in order to provide you with the best vending machines money can buy. In some cases, your machine may differ slightly from information contained in this manual.

Your National Vendors Service and Parts departments stand ready to assist you in this event.



Twin Drink Center Parts Manual

TABLE 1. 363/364/365 MERCHANDISER

INDEX	PART NUMBER	DESCRIPTION	QTY
1	3631132	CABINET ASSEMBLY	1
2	3632120	DOOR ASSEMBLY	1
3	3631104	BASE PLATE ASSEMBLY	OPT.

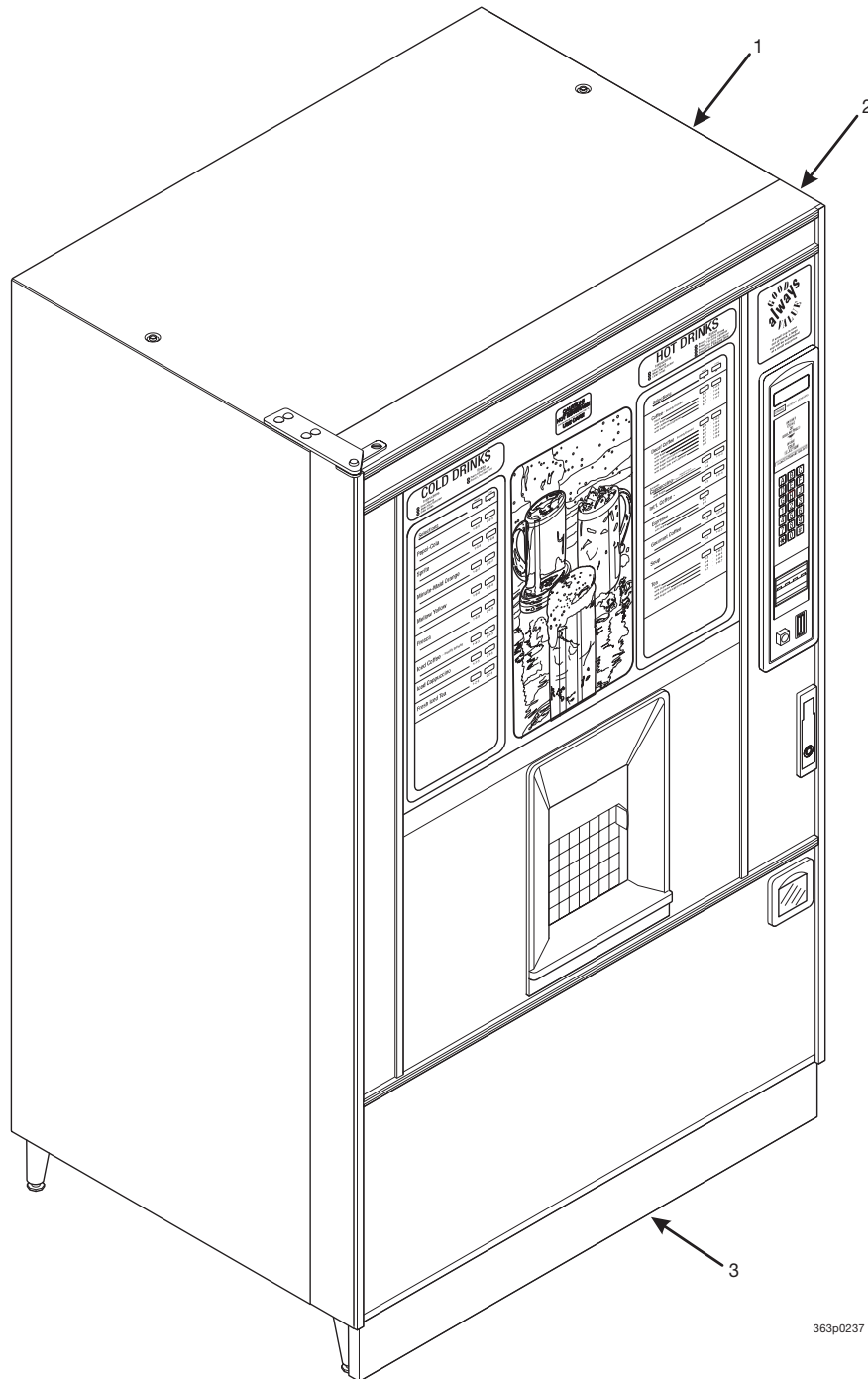


Figure 1. 363/364/365 Merchandiser

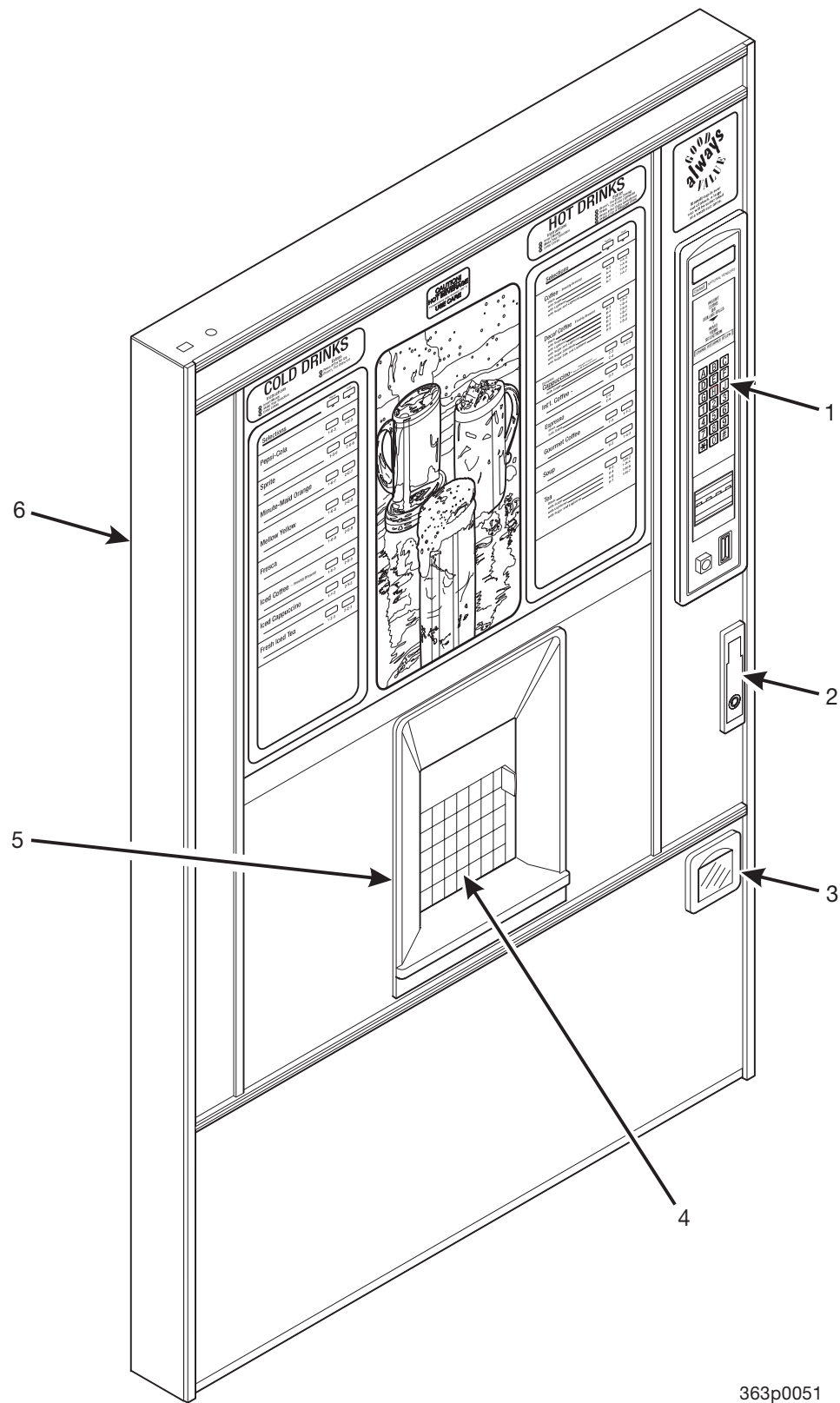


Figure 2 . Door Assembly - Exterior



Twin Drink Center Parts Manual

TABLE 2. DOOR ASSEMBLY - EXTERIOR

INDEX	PART NUMBER	DESCRIPTION	QTY.
1	3630733	MONETARY - STANDARD - DOMESTIC (SEE FIGURE 16 FOR DETAILS)	1
2	-	DOOR LOCK AND HANDLE ASSEMBLY (SEE FIGURE 21 FOR DETAILS)	1
3	-	COIN RECEPTACLE ASSEMBLY (SEE FIGURE 19 FOR DETAILS)	1
4	6230805	AUTOMATIC DELIVERY DOOR (SEE FIGURE 32 FOR DETAILS)	1
5	3152045	FRAME - CUP DELIVERY DOOR	1
6	3632120	DOOR ASSEMBLY - STANDARD (SHOWN)	OPT.
	3632118	DOOR ASSEMBLY - MILLENIA (NOT SHOWN)	

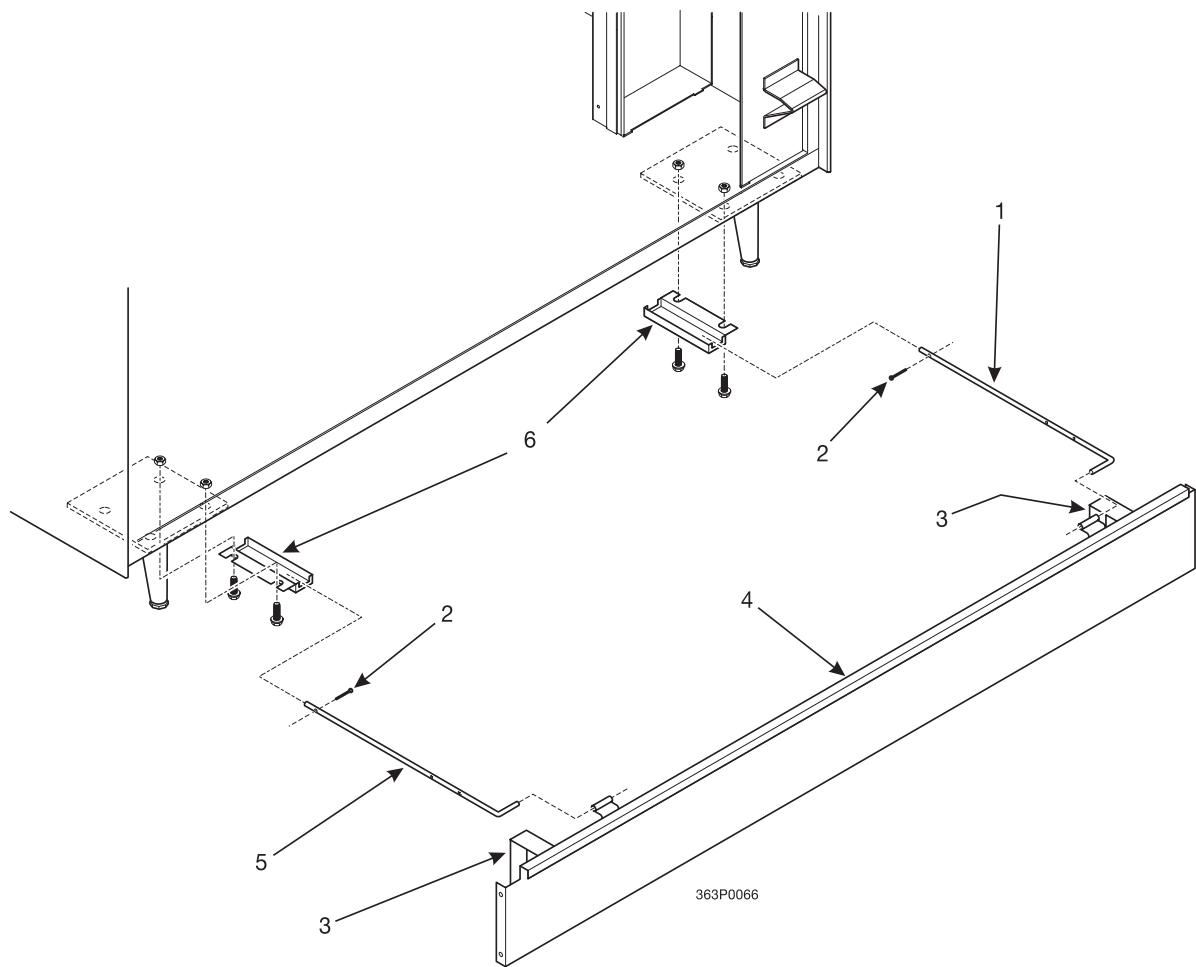


Figure 3 . Base Plate Assembly



TABLE 3. BASE PLATE ASSEMBLY

INDEX	PART NUMBER	DESCRIPTION	QTY.
1	4311192	SLIDE - BASE PLATE - R.H.	1
2	9900098	COTTER PIN 3/32 X 3/4 IN	2
3	3631108	BUMPER - BASE PLATE	2
4	3631106	BASE PLATE ASSEMBLY	1
5	4311193	SLIDE - BASE PLATE - L.H.	1
6	6231087	BRACKET - BASE PLATE	2

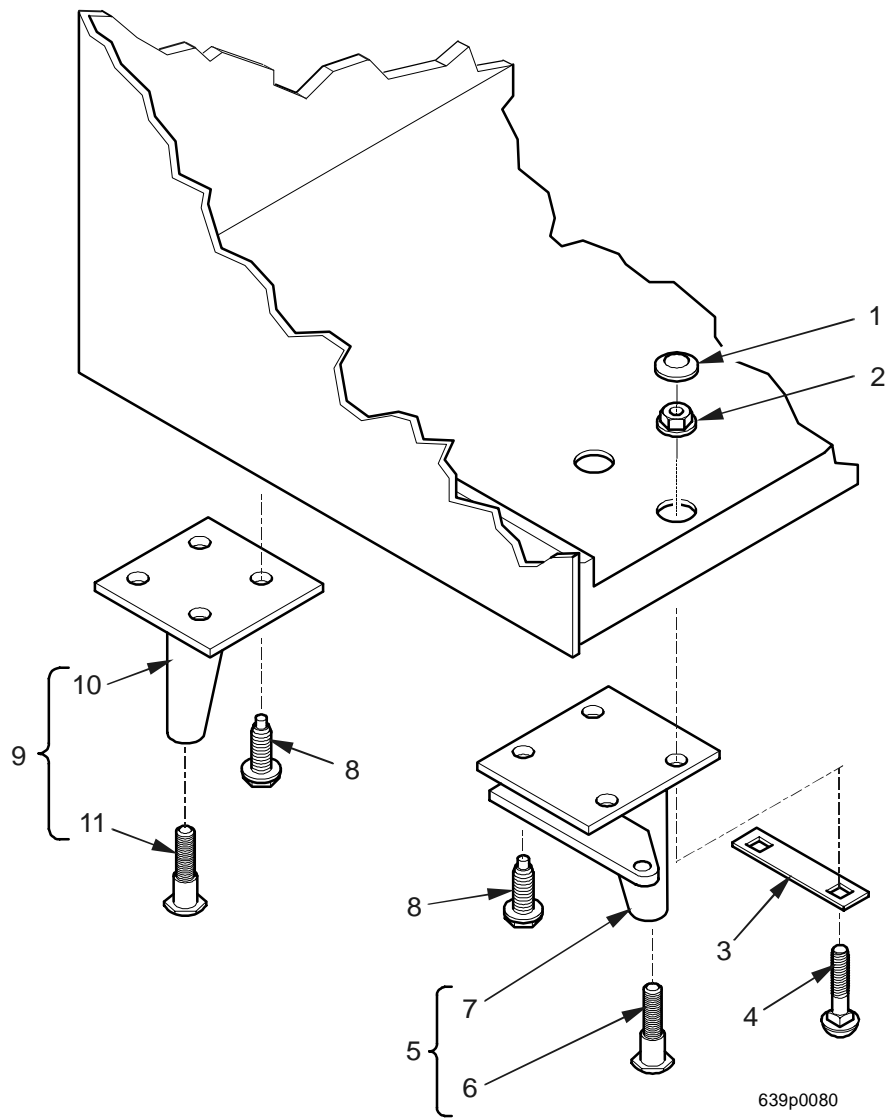


Figure 4 . Leg, Leveler, and Leg and Hinge Assemblies

Twin Drink Center Parts Manual

TABLE 4. LEG, LEVELER, AND LEG AND HINGE ASSEMBLIES

INDEX	PART NUMBER	DESCRIPTION	QTY.
1	6231034	PLUG - HOLE (NOT USED IN ALL APPLICATIONS)	2
2	1172021	NUT - 1/4-20 WHIZ-LOCK	2
3	6231203	PLATE - HINGE LEG BOLT	1
4	1211112	TRAY BOLT	2
5	6231163	LEG, HINGE, AND LEVELER ASSEMBLY	1
6	1471098	LEVELER - CABINET	1
7	1571115	LEG AND HINGE ASSEMBLY	1
8	9900218	SCREW - # 5/16 X 1 W/LOCKING RING	14
9	1471237	LEG AND LEVELER ASSEMBLY - CABINET	3
10	1571127	LEG ASSEMBLY - CABINET	1
11	1471098	LEVELER - CABINET	1

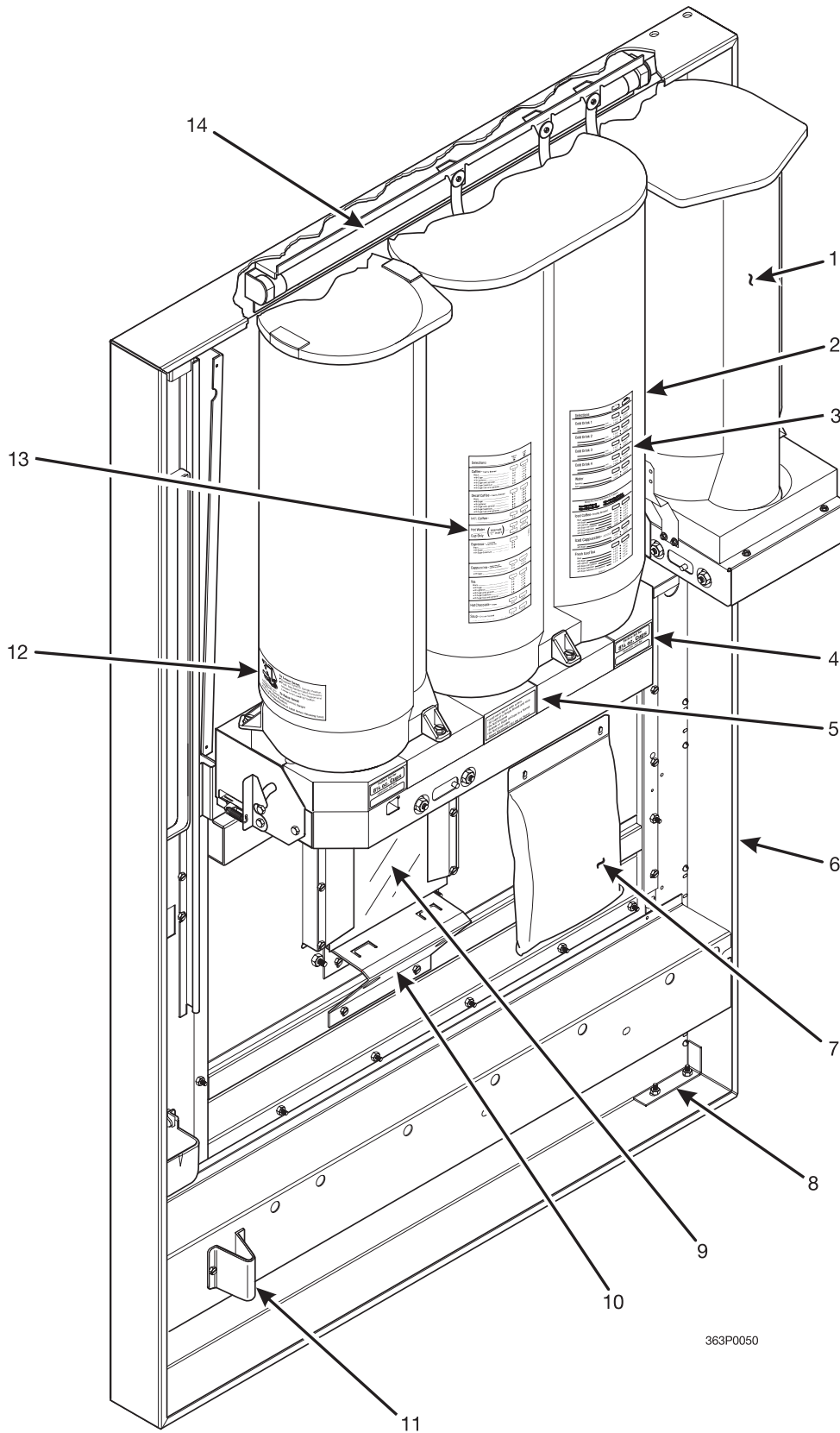


Figure 5. Door Assembly - Interior



Twin Drink Center Parts Manual

TABLE 5. DOOR ASSEMBLY - INTERIOR

INDEX	PART NUMBER	DESCRIPTION	QTY.
1	3633021	MECHANISM AND CANISTER ASSEMBLY - 4 COLUMN (SEE FIGURE 23 FOR DETAILS)	OPT.
2	6233100	MECH & CANISTER ASSEMBLY - 11 COL (SEE FIGURE 27 FOR DETAILS)	1
3			1
4	6233073 6231218 6233073	LABEL - CUP SIZE "A1"	1
5	6233074	LABEL - CUP TURRET LOADING	1
6	3632001	DOOR WELD (COMMON)	1
	3632121	DOOR WELD (MILLENNIA)	
7	B3630000	BAG ASSEMBLY - U.S.	1
8	-	HINGE ASSEMBLY (SEE FIGURE 15 FOR DETAILS)	1
9	6230805	AUTOMATIC DELIVERY DOOR (SEE FIGURE 32 FOR DETAILS)	1
10	6332025	LIFT BRACKET - CUP STATION	1
11	6231164	BRACKET-DOOR SUPPORT	1
12	6232170	LABEL - LATCH RELEASE	1
13	6232190	LABEL - MENU - U.S./U.K.	1
14	6232102	LIGHT ASSEMBLY - DISPLAY (SEE FIGURE 33 FOR DETAILS)	1



TABLE 6. BAG ASSEMBLY PARTS B3630004 - U.S.

NOTE: Parts not shown

PART NUMBER	DESCRIPTION	QTY.
1300018	BAG PLASTIC	1
3118047	WRENCH SPANNERALCO #X11981	1
3120008	CARD - RECORD OF CLEANING	1
3158026	LABEL - EVERPURE - SMALL - 7001 - 07	1
3167023	REMOVAL TOOL - PUMP SNAP	1
3167171	HOSE SPLICER - JUICE - L&M #4001	1
3630010	DOCUMENTATION PACKAGE (INCLUDES THE NEXT 3 ITEMS)	1
3630007	QUICK START	1
3630008	OPERATOR'S GUIDE	1
PS363001	PLUMBING SCHEMATIC - TWIN CENTER	1
3630011	W.D.PACKAGE - 115V - DOMESTIC (CONTAINS THE FOLLOWING 1 ITEM)	1
WD3630009	W.D. TWIN DRINK CENTER - 115V	1
3632026	INSERT - SEL - REG.LG. - TOP - ENGLISH	2
3632027	INSERT - SYRUP - CARB. SEL. 5	1
3632028	INSERT - SYRUP - NONCARB - SEL5 - EN	1
3632029	INSERT - SYRUP - CARB. SEL. 6	1
3632030	INSERT - SYRUP - CARB. SEL. 7	1
3632031	INSERT - SYRUP - CARB. SEL. 8	1
3632032	INSERT - ICED - SM/MED - SELECTION X - FUL	1
3632035	INSERT - WATER - ENGLISH	1
3632036	INSERT - SYRUP - NON CARB - SEL 6	1
3632037	INSERT - SYRUP - NON CARB - SEL 7	1
3632038	INSERT - SYRUP - NON CARB - SEL 8	1
3632039	INSERT - SYRUP - CARB/NONCARB/SE	1
3632040	INSERT - SYRUP - CARB/NON CARB - SEL 6 - USA ENGLISH	1
3632041	INSERT - SYRUP - CARB/NON CARB - SEL 7 - USA ENGLISH	1
3632042	INSERT - SYRUP - CARB/NON CARB - SEL 8 - USA ENGLISH	1
3632043	INSERT - ICED - MED/LG - SEL.Y - PART	1
3632045	INSERT - ICED - SM/MED - SEL Z - FULL	1
3632046	INSERT - ICED - MED/LG - SEL.X - FULL	1
3632048	INSERT - ICED - MED/LG - SEL.Z - FULL	1
3632051	INSERT - SELECTION - LARGE JUMBO - TOP - ENGLISH	1
3632076	LABEL - COLD DRINK FLAVORS - #1 - ENGLISH	1
3632077	LABEL - COLD DRINK FLAVORS - #2 - ENGLISH	1
3632078	LABEL - COLD DRINK FLAVORS - #3 - ENGLISH	1
3632079	LABEL - ICED COFFEE DRINKS - ENGLISH	1
3632105	INSERT - EXTRAS - ICED - ENGLISH - USA	1



TABLE 6. BAG ASSEMBLY PARTS B3630004 - U.S. (CONTINUED)

NOTE: Parts not shown

PART NUMBER	DESCRIPTION	QTY.
3632109	LABEL - CUP 12/18 OZ - \$1.10/\$3.	1
6230066	LABEL - "SAVE 5¢ USING MUG" - DOM	1
6230067	LABEL - "ALWAYS GOOD VALUE"	1
6230071	LABEL - FRENCH VANILLA CAFE	1
6232041	PLATE - DISPLAY LABEL	1
6232051	INSERT - COFFEE	1
6232052	INSERT - DECAF COFFEE	1
6232054	INSERT - CAPPUCCINO	1
6232055	INSERT - INT'L COFFEE	1
6232056	INSERT - TEA	1
6232057	INSERT - HOT CHOCOLATE	1
6232058	INSERT - SOUP - CHICKEN/BEEF	1
6232061	LABEL - MUG OPTION	1
6232062	LABEL - WINNERS MODE	1
6232080	LABEL - PRICE, CUP SIZE, BLANK	2
6232086	LABEL - SELECTION - BLANK	1
6232088	LABEL - 1/2 COVERUP - LABEL - INST	1
6232207	INSERT - ESPRESSO	1
6232325	INSERT - ESPRESSO/CAFE LATTE'	1
6237063	NOZZLE - DISPENSING - CANISTER	2
6237117	REMOVAL TOOL - IMPELLER	1
6237347	VINYL CAP - 1.00 I.D. X 0.50 LONG	9
6332027	INSERT - EUROPEAN CAPUCCINO	1
6408143	LOCKING CLIP - PI-C1812R	2



TABLE 7. BAG ASSEMBLY PARTS B3630005 - U.K.
NOTE: Parts not shown

PARTNUMBER	DESCRIPTION	QTY.
1300018	BAG PLASTIC	1
3118047	WRENCH SPANNERALCO #X11981	1
3118088	LABEL C02 PRESSURE SETTING	1
3120008	CARD - RECORD OF CLEANING	1
3158026	LABEL - EVERPURE - SMALL - 7001 - 07	1
3630010	DOCUMENTATION PACKAGE (INCLUDES THE NEXT 3 ITEMS)	1
3630007	QUICK START	1
3630008	OPERATOR'S GUIDE	1
PS363001	PLUMBING SCHEMATIC - TWIN CENTER	1
3630012	WIRING DIAGRAM PACKAGE - 230V - INT'L - EXEC. (INCLUDES THE NEXT ITEM)	1
WD363010	WIRING DIAGRAM - TWIN DRINK CENTER - 230V - INT	1
3632026	INSERT - SEL - REG.LG. - TOP - ENGL.	2
3632027	INSERT - SYRUP - CARB.SEL.5	1
3632028	INSERT - SYRUP - NONCARB - SEL5 - EN	1
3632029	INSERT - SYRUP - CARB.SEL.6	1
3632030	INSERT - SYRUP - CARB.SEL.7	1
3632031	INSERT - SYRUP - CARB.SEL.8	1
3632032	INSERT - ICED - SM/MED - SEL X - FUL	1
3632036	INSERT - SYRUP - NON CARB - SEL 6 -	1
3632037	INSERT - SYRUP - NON CARB - SEL 7 -	1
3632038	INSERT - SYRUP - NON CARB - SEL 8 -	1
3632043	INSERT - ICED - MED/LG - SEL.Y - PAR	1
3632045	INSERT - ICED - SM/MED - SEL Z - FUL	1
3632046	INSERT - ICED - MED/LG - SEL.X - FUL	1
3632048	INSERT - ICED - MED/LG - SEL.Z - FUL	1
3632051	INSERT - SEL - LG.JUMBO - TOP - ENGL	1
3632070	INSERT - "WATER" - U.K. - ENGLISH	1
3632071	INSERT - SYRUP - SPARKLING/STILL	1
3632072	INSERT - SYRUP - SPARKLING/STILL	1
3632073	INSERT - SYRUP - SPARKLING/STILL	1
3632074	INSERT - SYRUP - SPARKLING/STILL	1
3632076	LABEL - COLD DRINK FLAVORS - #1 -	1
3632077	LABEL - COLD DRINK FLAVORS - #2 -	1
3632078	LABEL - COLD DRINK FLAVORS - #3 -	1
3632079	LABEL - ICED COFFEE DRINKS - ENG	1
3632106	INSERT - EXTRAS - ICED - ENGL. - U.K	1
3638072	LABEL - CARBONATOR - AIR REMOVAL	1



Twin Drink Center Parts Manual

TABLE 7. BAG ASSEMBLY PARTS B3630005 - U.K. (CONTINUED)

NOTE: Parts not shown

PARTNUMBER	DESCRIPTION	QTY.
6230067	LABEL - "ALWAYS GOOD VALUE"	1
6232055	INSERT - INT'L COFFEE	1
6232057	INSERT - HOT CHOCOLATE	1
6232058	INSERT - SOUP - CHICKEN/BEEF	1
6232061	LABEL - MUG OPTION	1
6232062	LABEL - WINNERS MODE	1
6232086	LABEL - SELECTION - BLANK	1
6232088	LABEL - 1/2 COVERUP - LABEL - INST	1
6232124	LABEL - PRICE - U.K. - RANGE 36P/4	2
6232125	LABEL - PRICE - U.K. - RANGE 5P/36	2
6232150	INSERT - COFFEE - U.K.	1
6232151	INSERT - DECAF COFFEE - U.K.	1
6232152	INSERT - TEA - FB - U.K.	1
6232157	INSERT - CAPPUCCINO - U.K.	1
6232175	LABEL - COVER-UPS - HOT DRINK - U.K.	1
6232177	LABELS - SEL - ALT - SOUPS&TEAS - UK	1
6232207	INSERT - ESPRESSO	1
6232325	INSERT - ESPRESSO/CAFE LATTE'	1
6237063	NOZZLE - DISPENSING - CANISTER	2
6237063	NOZZLE - DISPENSING - CANISTER	2
6237080	NOZZLE - DISPENSING - F.D.COFFEE	5
6237117	REMOVAL TOOL - IMPELLER	1
6237347	VINYL CAP - 1.00 I.D. X .50 LONG	9
6332027	INSERT - EUROPEAN CAPUCCINO	1
6408143	LOCKING CLIP - PI-C1812R	2



TABLE 8. BAG ASSEMBLY PARTS B3630007 - GERMANY

NOTE: Parts not shown

PARTNUMBER	DESCRIPTION	QTY.
1300018	BAG PLASTIC	1
3118047	WRENCH SPANNERALCO #X11981	1
3120008	CARD - RECORD OF CLEANING	1
3158026	LABEL - EVERPURE - SMALL - 7001 - 07	1
3630010	DOCUMENTATION PACKAGE (INCLUDES THE NEXT 3 ITEMS)	1
3630007	QUICK START	1
3630008	OPERATOR'S GUIDE	1
PS363001	PLUMBING SCHEMATIC - TWIN CENTER	1
3632027	INSERT - SYRUP - CARB. SEL. 5	1
3632028	INSERT - SYRUP - NONCARB - SEL. 5 - EN	1
3632029	INSERT - SYRUP - CARB. SEL. 6	1
3632030	INSERT - SYRUP - CARB. SEL. 7	1
3632031	INSERT - SYRUP - CARB. SEL. 8	1
3632036	INSERT - SYRUP - NON CARB - SEL. 6	1
3632037	INSERT - SYRUP - NON CARB - SEL. 7	1
3632038	INSERT - SYRUP - NON CARB - SEL. 8	1
6232088	LABEL - 1/2 COVERUP - LABEL - INST	1
6237063	NOZZLE - DISPENSING - CANISTER	2
6237117	REMOVAL TOOL - IMPELLER	1
6237347	VINYL CAP - 1.00 I.D. X 0.50 LONG	9
3118088	LABEL - CO2 PRESSURE SETTING	1
3167023	REMOVAL TOOL - PUMP SNAP	1
3167171	HOSE SPLICER - JUICE - L&M #4001	1
3630011	WIRING DIAGRAM PACKAGE - 230V - INT'L - EXEC. (INCLUDES THE NEXT ITEM)	1
WD363009	WIRING DIAGRAM - TWIN DRINK CENTER - 230V	1
3632080	INSERT - SYRUP - CARB/NON CARB - S	1
3632081	INSERT - SYRUP - CARB/NON CARB - S	1
3632082	INSERT - SYRUP - CARB/NON CARB - S	1
3632083	INSERT - SYRUP - CARB/NON CARB - S	1
3632088	INSERT - ICED - SM/MED - SEL X - FUL	1
3632089	INSERT - ICED - SM/MED - SEL Z - FUL	1
3632090	INSERT - "WATER" - GERMAN	1
3632091	INSERT - ICED - MED/LG - SEL Z - FUL	1
3632092	INSERT - ICED - MED/LG - SEL X - FUL	1
3632093	INSERT - ICED - SEL Y - PART COND.	1
3632094	INSERT - SELECTIONS - TOP - GERMAN	2
3632095	INSERT - SELECTIONS - LG/JUMBO - T	1

TABLE 8. BAG ASSEMBLY PARTS B3630007 - GERMANY (CONTINUED)

NOTE: Parts not shown

PARTNUMBER	DESCRIPTION	QTY.
3632098	LABEL A - COLD DRINK FLV. - GERMAN	1
3632099	LABEL B - COLD DRINK FLV. - GERMAN	1
3632100	LABEL - ICED COFFEE DRINKS - GERMAN	1
3632108	INSERT - EXTRAS - ICED - GERMAN	1
3638072	LABEL - CARBONATOR - AIR REMOVAL	1
6232030	WELD NUT - 5/16 - 18 LOCKING	1
6232064	LABEL - COF COVER UPS - GERMAN	1
6232128	LABEL - WINNERS MODE - GERMAN	1
6232136	INSERT - COFFEE - GERMAN	1
6232137	INSERT - HOT CHOCOLATE - GERMAN	1
6232138	INSERT - "RINDFLEISCHSUPPE" - GERMAN	1
6232139	INSERT - INTERNATIONAL COF - GERMAN	1
6232140	INSERT - DECAF COFFEE - GERMAN	1
6232141	INSERT - TEA - GERMAN	1
6232173	LABEL - MUG OPTION - GERMAN	1
6232184	LABEL - SOUP - ALT CHOICE - GERMAN	1
6232195	INSERT - SEL. - ESPRESSO - GERMAN	1
6232198	LABEL - SAVE 5PF USING MUG - GERMAN	1
6232218	LABEL - SAVE 10PF USING MUG - GERMAN	1
6332030	INSERT - CAPPUCCINO - GERMAN	1
6233115	FUNNEL & INSERT ASSEMBLY	1
6233007	FUNNEL - 3.25 CUP DIAMETER	1
6233114	FUNNEL INSERT - 2.800 DIAMETER	1
6408143	LOCKING CLIP - PI-C1812R	2
6532008	LABELS - EUROCOIN - ,05/1,00	1
6532009	LABELS - EUROCOIN - 1,05/2,00	1
6532012	LABELS - EUROCOIN - 2,05/3,00	1



TABLE 9. BAG ASSEMBLY PARTS B3630002 - FRANCE

NOTE: Parts not shown

PARTNUMBER	DESCRIPTION	QTY.
1300018	BAG PLASTIC	1
3118047	WRENCH - SPANNER - ALCO #X11981	1
3120008	CARD - RECORD OF CLEANING	1
3158026	LABEL - EVERPURE - SMALL - 7001 - 07	1
3630010	DOCUMENTATION PACKAGE (INCLUDES THE NEXT 3 ITEMS)	1
3630007	QUICK START	1
3630008	OPERATOR'S GUIDE	1
PS363001	PLUMBING SCHEMATIC - TWIN CENTER	1
6330041	INSTRUCTIONS - CANISTER MOD FOR 12 OZ	1
3632027	INSERT - SYRUP - CARB. SEL. 5	1
3632028	INSERT - SYRUP - NON CARB - SEL. 5 - EN	1
3632029	INSERT - SYRUP - CARB. SEL. 6	1
3632030	INSERT - SYRUP - CARB. SEL. 7	1
3632031	INSERT - SYRUP - CARB. SEL. 8	1
3632036	INSERT - SYRUP - NON CARB - SEL. 6 -	1
3632037	INSERT - SYRUP - NON CARB - SEL. 7 -	1
3632038	INSERT - SYRUP - NON CARB - SEL. 8 -	1
6232088	LABEL - 1/2 COVER UP - LABEL - INST	1
6237063	NOZZLE - DISPENSING - CANISTER	2
6237117	REMOVAL TOOL - IMPELLER	1
6237347	VINYL CAP - 1.00 I.D. X 0.50 LONG	9
3118088	LABEL C02 PRESSURE SETTING	1
3167023	REMOVAL TOOL - PUMP SNAP	1
3167171	HOSE SPLICER - JUICE - L&M #4001	1
3630035	LIST - BAG ASSEMBLY B3630002 CONTENTS	1
3630012	WIRING DIAGRAM PACKAGE - 230V - INT'L - EXEC. (INCLUDES THE NEXT ITEM)	1
WD363010	WIRING DIAGRAM - TWIN DRINK CENTER - 230V	1
3632032	INSERT - ICED - SM/MED - SEL X - FUL	1
3632054	INSERT - "WATER" - FRENCH	1
3632055	INSERT - SELECT - TOP - REG/LG - FR	2
3632056	INSERT - SELECT - TOP - LG/JUMBO -	1
3632057	INSERT - ICED - MED/LG - SEL X - FUL	1
3632058	INSERT - ICED - MED/LG - SEL Z - FUL	1
3632059	INSERT - ICED - SEL Y - PART COND.	1
3632060	INSERT - SYRUP - CARB/NON CARB - S	1
3632061	INSERT - SYRUP - CARB/NON CARB - S	1
3632062	INSERT - SYRUP - CARB/NON CARB - S	1

Twin Drink Center Parts Manual

TABLE 9. BAG ASSEMBLY PARTS B3630002 - FRANCE (Continued)

NOTE: Parts not shown

PARTNUMBER	DESCRIPTION	QTY.
3632063	INSERT - SYRUP - CARB/NON CARB - S	1
3632064	INSERT - ICED - SM/MED - SEL Z - FUL	1
3632101	LABEL - COLD DRINK FLV. - FRENCH	1
3632102	LABEL - ICED COFFEE FLV. - FRENCH	1
3632107	INSERT - EXTRAS - ICED - FRENCH	1
3638072	LABEL - CARBONATOR - AIR REMOVAL	1
6232106	INSERT - SEL - POTAGE TOMATE - FRENCH	1
6232108	INSERT - HOT CHOCOLATE - FRENCH	1
6232130	LABEL - MUG OPTION - FRENCH	1
6232131	LABEL - WINNERS MODE - FRENCH	1
6232161	LABEL - SOUP - ALT CHOICE - FRENCH	1
6232228	LABEL - SEL. - ALTERNATE - FRENCH	1
6232245	INSERT - SEL. - COFFEE - FRENCH	1
6232246	INSERT - COFFEE - "A" SEL. - FRENCH	1
6232247	INSERT - COFFEE - "B" SEL. - FRENCH	1
6232248	INSERT - COFFEE - "C" SEL. - FRENCH	1
6232249	INSERT - COFFEE - "F" SEL. - FRENCH	1
6232251	INSERT - CAPPUCINO - "E" SEL - FRENCH	1
6232252	INSERT - SELECTION (2ND) - FRENCH	1
6232253	INSERT - BLANK - "C" SEL. - FRENCH	1
6232256	INSERT - BLANK - FRENCH	1
6232258	LABEL - DRINK TYPES - FRENCH	1
6232259	LABELS - VOL. 4CL TO 16CL - FRENCH	1
6232260	LABELS - COFFEE GRNDS - TYPE - FRENCH	1
6232262	INSERT - "SELECTION D" - FRENCH.	1
6332029	INSERT - EUROPEAN CAPPUCINO	1
6332034	INSERT - AMERICAN CAPPUCINO	1
6408143	LOCKING CLIP - PI-C1812R	2
6532008	LABELS - EUROCOIN - ,05/1,00	1
6532009	LABELS - EUROCOIN - 1,05/2,00	1
6532012	LABELS - EUROCOIN - 2,05/3,00	1

Twin Drink Center Parts Manual

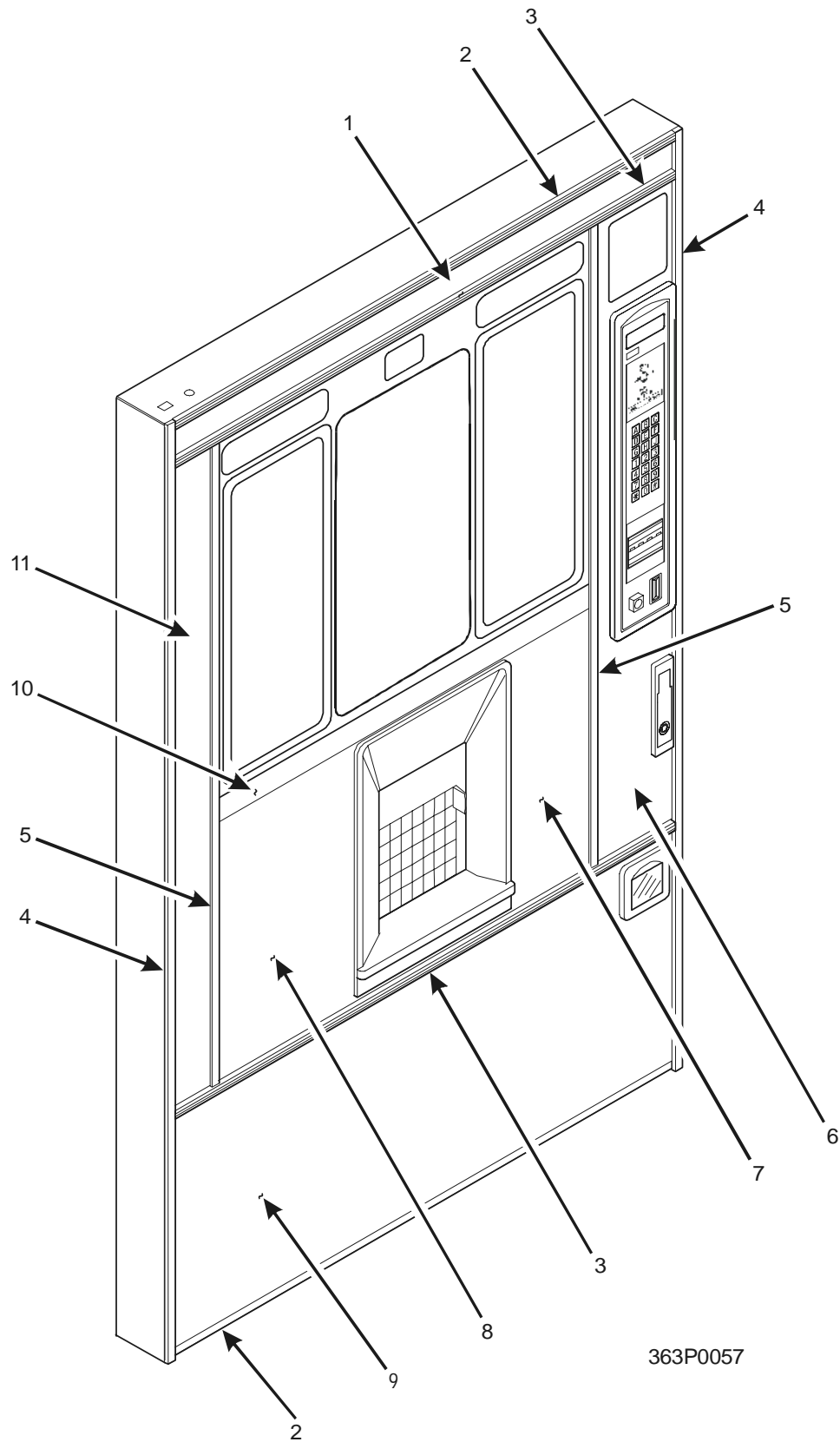


Figure 10. Trim and Panels - Imperial Crown and Signature Styles

Twin Drink Center Parts Manual

TABLE 10. TRIM AND PANELS - IMPERIAL CROWN AND SIGNATURE STYLES

INDEX	PART NUMBER	DESCRIPTION	QTY.
1	-	PANEL - TOP (SEE TABLE 10 A FOR DETAILS)	1
2	3632009	TRIM - DOOR - BLACK - TRON (SIGNATURE STYLE ONLY)	2
	3632010	TRIM - DOOR - TOP & BOTTOM	
-	3632011	TRIM - INSERT	2
3	3632263	TRIM - DOOR - HORIZONTAL (IMPERIAL CROWN STYLE)	3
4	1302409	TRIM - DOOR-SIDE (CLEAR) (IMPERIAL CROWN STYLE)	2
	1452203	TRIM - DOOR-SIDE - BLACK - IBM (SIGNATURE STYLE)	
5	3152560	TRIM - VERTICAL	1
6	-	PANEL - RIGHT (SEE TABLE 10 B FOR DETAILS)	1
7	-	PANEL - RIGHT CENTER (SEE TABLE 10 C FOR DETAILS)	1
8	-	PANEL - LEFT CENTER (SEE TABLE 10 D FOR DETAILS)	1
9	-	PANEL - BOTTOM (SEE TABLE 10 E FOR DETAILS)	1
10	3632007	TRIM - HORIZONTAL - GLASS	1
11	-	PANEL - LEFT (SEE TABLE 10 F FOR DETAILS)	1

TABLE 10 A. PANEL - TOP (ITEM NUMBER 1) DETAIL

PART NUMBER	DESCRIPTION
3632012	PICA
3632227	PRESIDENTIAL WALNUT
3632228	LAMINATE
3632229	TEAK
3632230	VINYL SPECIAL
3632231	BLACK HAIRCEL
3632232	NUWHITE
3632233	STERLING
3632234	WHITE HAIRCEL
3632235	DOVE GREY
3632236	SLATE
3632265	BISON BLACK
3632266	PEWTER
3632267	BLANK



TABLE 10 B. PANEL - RIGHT (ITEM NUMBER 7) DETAIL

PART NUMBER	DESCRIPTION
6332045	PORT AU PRINCE
6332100	STERLING
6332103	BLACK HAIRCEL
6332105	BLACK PICA
6332107	BLANK
6332109	COMPOSITION OAK
6332111	DOVEGREY
6332113	LAMINATE
6332115	MOROCCO GREY
6332117	NUWHITE
6332119	PEWTER
6332122	PRESIDENTIAL WALNUT
6332124	SLATE
6332126	TEAK
6332128	VINYL SPECIAL
6332130	WHITE HAIRCEL
6332137	BISON BLACK
6332140	STAINLESS STEEL

TABLE 10 C. PANEL - RIGHT CENTER (ITEM NUMBER 8) DETAIL

PART NUMBER	DESCRIPTION
3632015	STERLING
3632237	DOVE GREY
3632238	NUWHITE
3632239	TEAK
3632240	WHITE HAIRCELL

TABLE 10 D. PANEL - LEFT CENTER (ITEM NUMBER 9) DETAIL

PART NUMBER	DESCRIPTION
3632016	STERLING
3632256	DOVE GREY
3632257	NUWHITE
3632258	TEAK
3632259	WHITE HAIRCELL



TABLE 10 E. PANEL - BOTTOM (ITEM NUMBER 10) DETAIL

PART NUMBER	DESCRIPTION
3632013	STERLING
3632241	STERLING - NO COIN RETURN
3632242	BISON BLACK
3632243	BLACK HAIRCEL
3632244	BLACK PICA
3632245	BLANK
3632246	COMPOSITION OAK
3632247	DOVE GREY
3632248	LAMINATE
3632249	NUWHITE
3632250	PEWTER
3632251	PRESIDENTIAL WALNUT
3632252	SLATE
3632253	TEAK
3632254	VINYL SPECIAL
3632255	WHITE HAIRCEL
3632268	PRESIDENTIAL WALNUT - NO COIN RETURN
3632269	PICA - NO COIN RETURN
3632270	SLATE - NO COIN RETURN

TABLE 10 F. PANEL - LEFT (ITEM NUMBER 12) DETAIL

PART NUMBER	DESCRIPTION
6232017	COMPOSITION OAK
6232019	PRESIDENTIAL WALNUT
6232039	STERLING
6232072	DOVE GREY
6232165	NUWHITE
6232180	TEAK
6232188	BLANK
6232192	LAMINATE
6232201	PEWTER
6232221	VINYL SPECIAL
6232225	SLATE
6232232	WHITE HAIRCEL
6232241	BLACK HAIRCEL
6232311	BLACK PICA
6232323	MOROCCO GREY
6332044	PORT AU PRINCE
6332138	BISON BLACK
6332139	STAINLESS STEEL

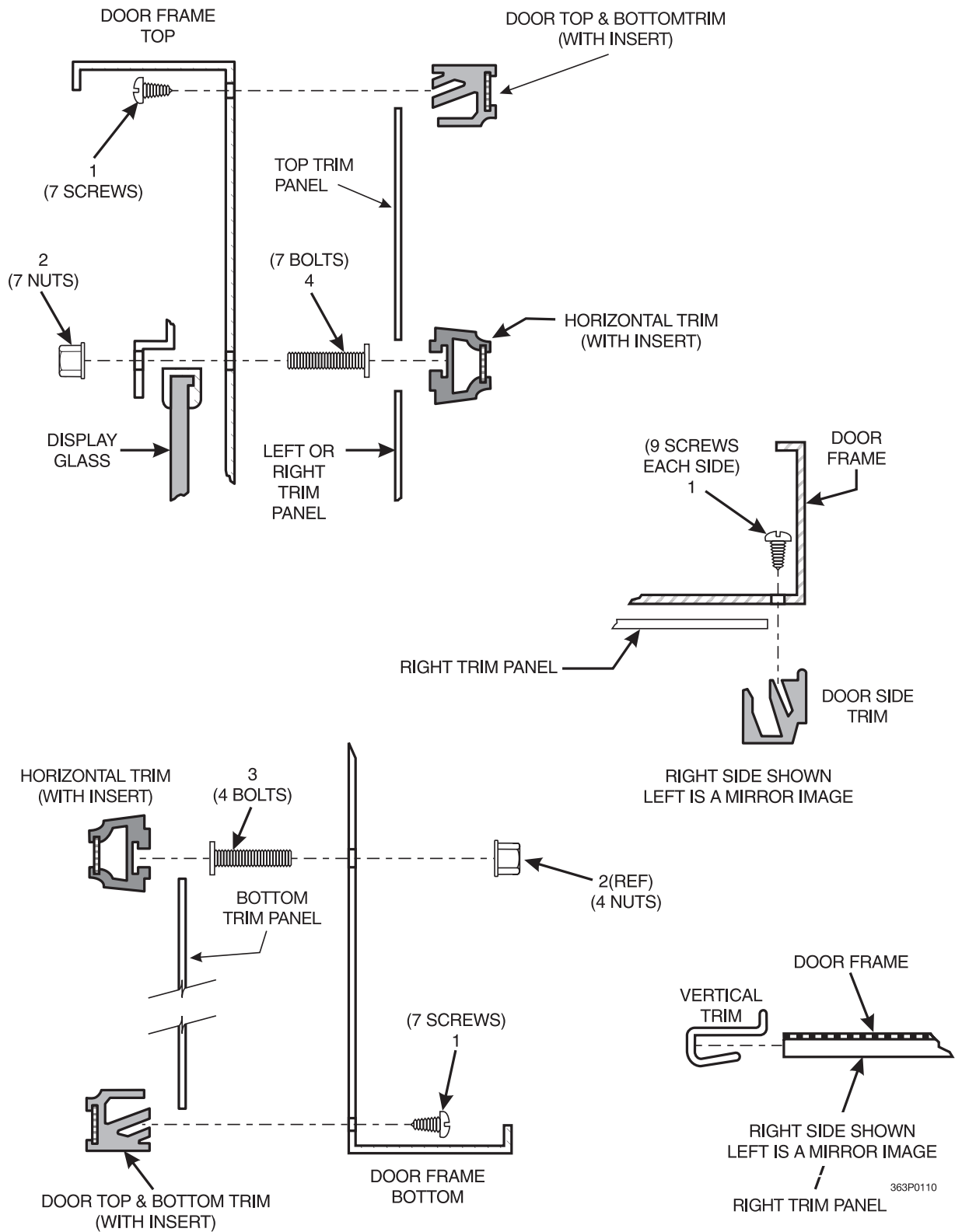
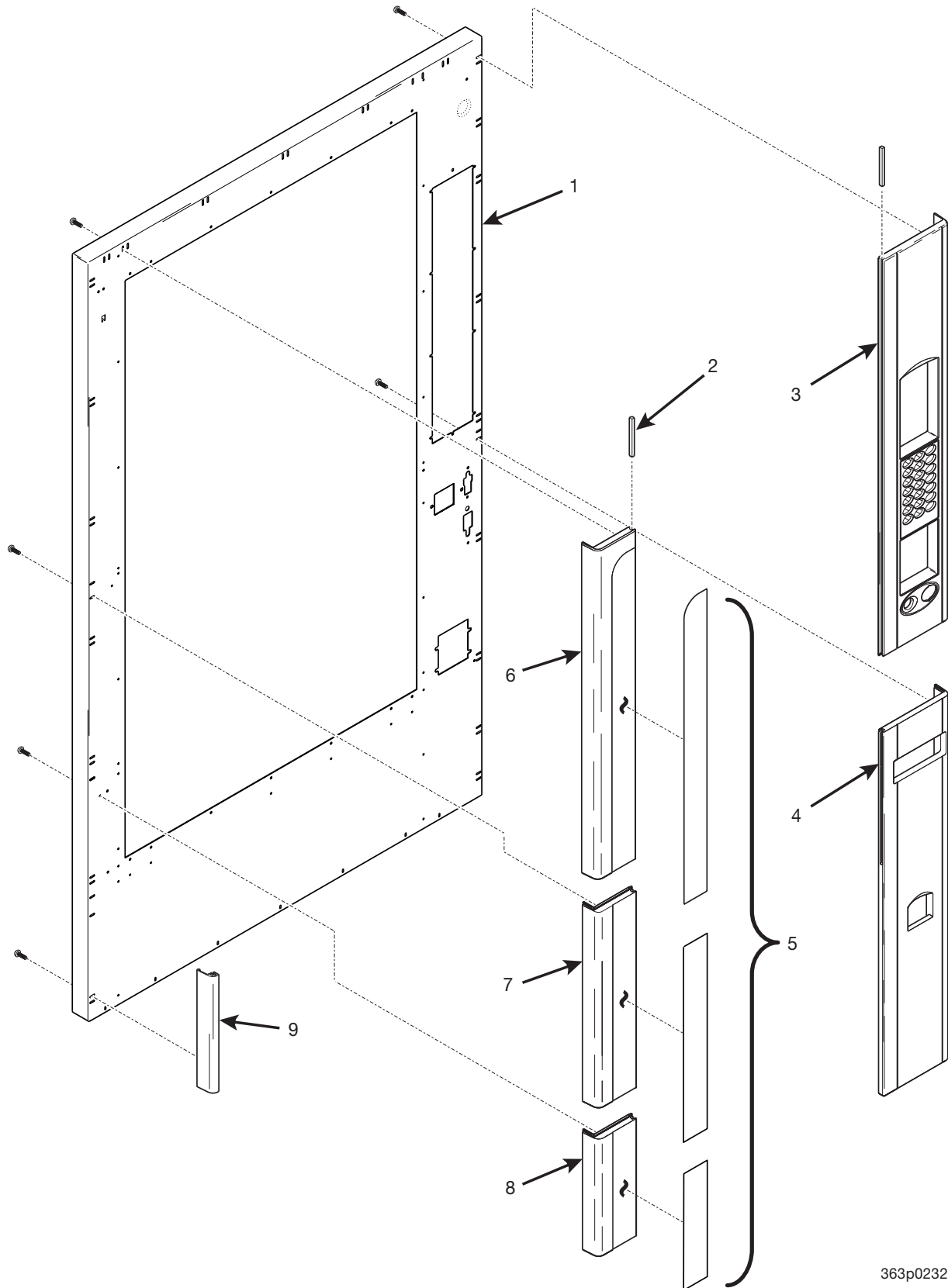


Figure 11. Trim Mounting Details - Imperial Crown and Signature Styles



TABLE 11. TRIM MOUNTING DETAILS - IMPERIAL CROWN AND SIGNATURE STYLES

INDEX	PART NUMBER	DESCRIPTION	QTY
1	9900011	SCREW #6 X 3/8 RHS T/C	32
2	9900081	NUT #8-32 W/LW	11
3	2222110	T-BOLT TRIM - 3/8"	4
4	3102162	T-BOLT TRIM - 1/2"	7

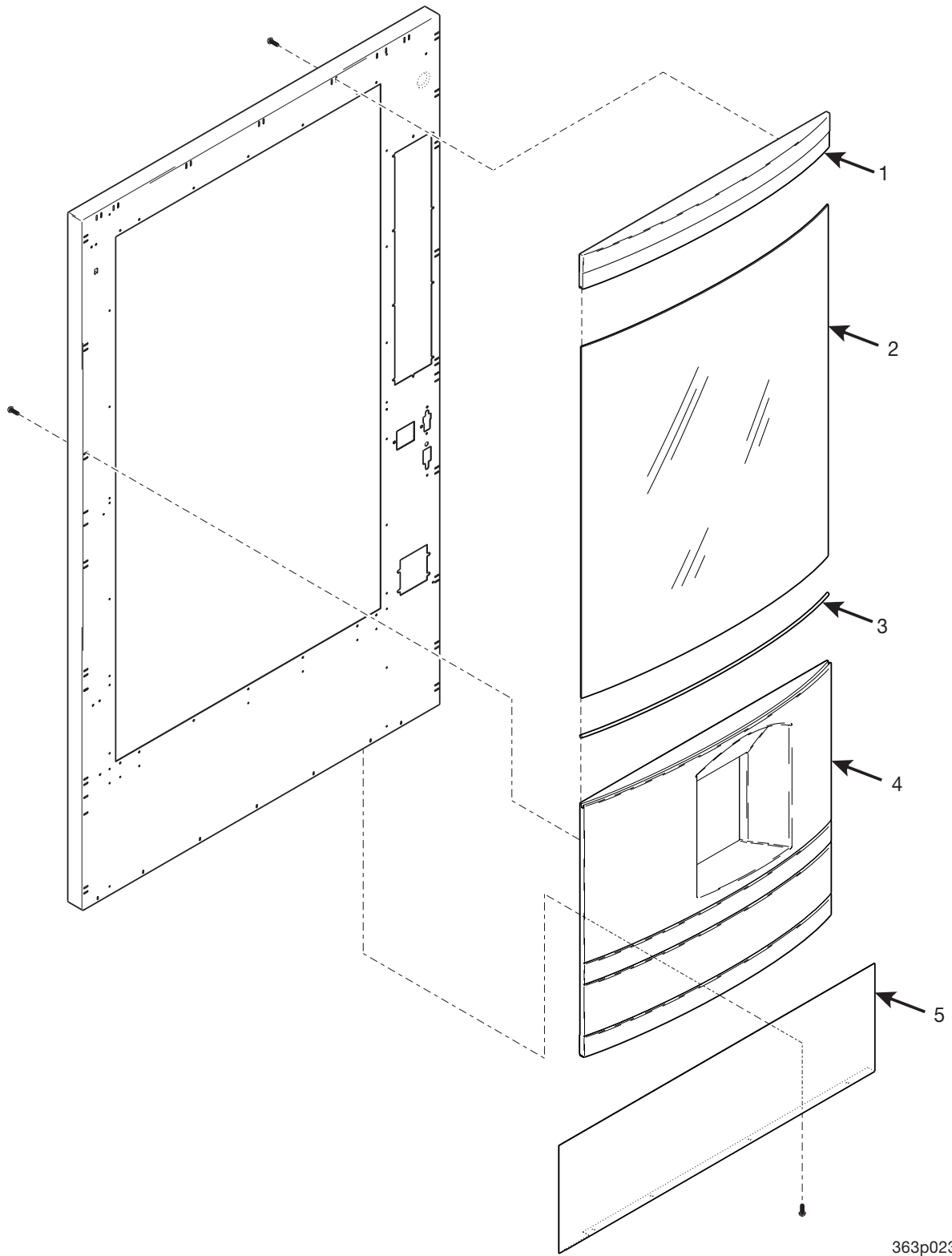


363p0232

Figure 12. Trim - Millenia Style (Part 1 of 3)

TABLE 12. TRIM - MILLENIA STYLE (PART 1 OF 3)

INDEX	PART NUMBER	DESCRIPTION	QTY
1	3282001	DOOR WELD ASSEMBLY	1
2	1572259	FILLER - GROOVE - SHORT	2
3	3632137	RIGHT PANEL MONETARY & BUTTON ASSEMBLY	1
4	1572214	RIGHT HAND TRIM - LOWER - "B"	1
5	1572258	DECAL - DOOR TRIM VERTICAL ASSEMBLY	1
6	4552058	TRIM - UPPER - LEFT HAND - "C"	1
7	4552059	TRIM - MIDDLE - LEFT HAND - "D"	1
8	4552060	TRIM - BOTTOM - LEFT HAND - "E"	1
9	1572267	TRIM - LOWER - DOOR SIDE - GRAY	1



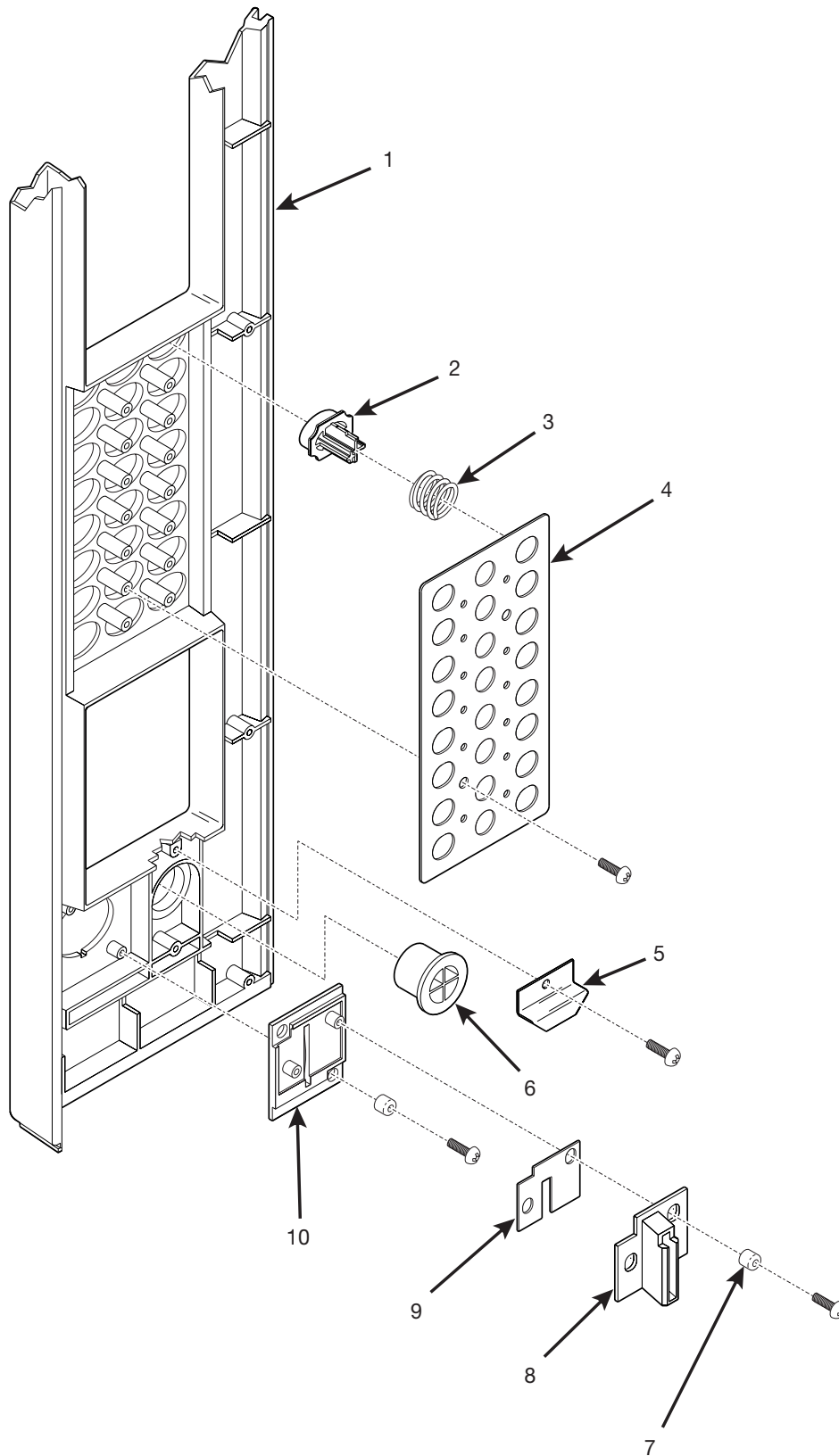
363p0233

Figure 13. Trim - Millenia Style (Part 2 of 3)



TABLE 13. TRIM - MILLENIA STYLE (PART 2 OF 3)

INDEX	PART NUMBER	DESCRIPTION	QTY
1	1582086	DECAL - TRIM HORIZONTAL - 32" FADED DOT	1
	1582200	HORIZONTAL TRIM - TOP - 32" - "H"	
2	3632033	GLASS - CURVED FRONT - 42.13"TWIN	1
3	3632135	GASKET - GLASS	1
4	2342203	HORIZONTAL TRIM - 42"TWIN - "R2"	1
5	3632133	PANEL - BOTTOM - PAINTED	1



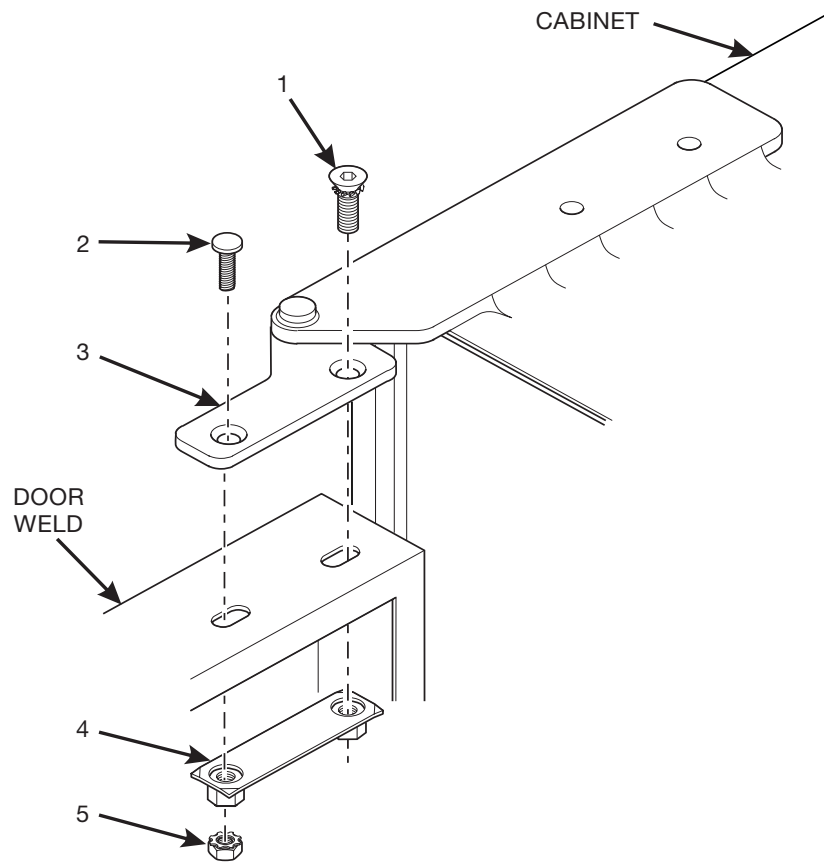
363p0230

Figure 14. Trim - Millenia Style (Part 3 of 3)

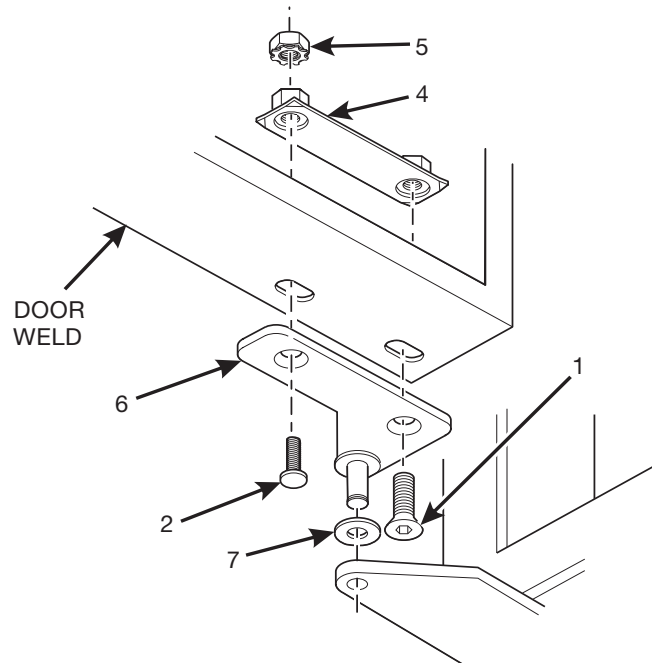


TABLE 14. TRIM - MILLENIA STYLE (PART 3 OF 3)

INDEX	PART NUMBER	DESCRIPTION	QTY
1	3632114	R.H. TRIM - UPPER - "A-24"	1
2	1572212	ARRAY - PUSH BUTTON SELECTION	1
3	1572224	SPRING - PUSH BUTTON	24
4	1572223	PLATE - STOP BUTTONS	1
5	1572292	RETAINER - RETURN BUTTON	1
6	1572210	COIN RETURN BUTTON - "A-2"	1
7	2302053	SPACER CUP	4
8	1572323	EXTENSION - COIN INSERT	1
9	1472222	COIN BLOCK	1
10	1572209	COIN INSERT - "A-1"	1



UPPER DOOR HINGE ASSY



LOWER DOOR HINGE ASSY

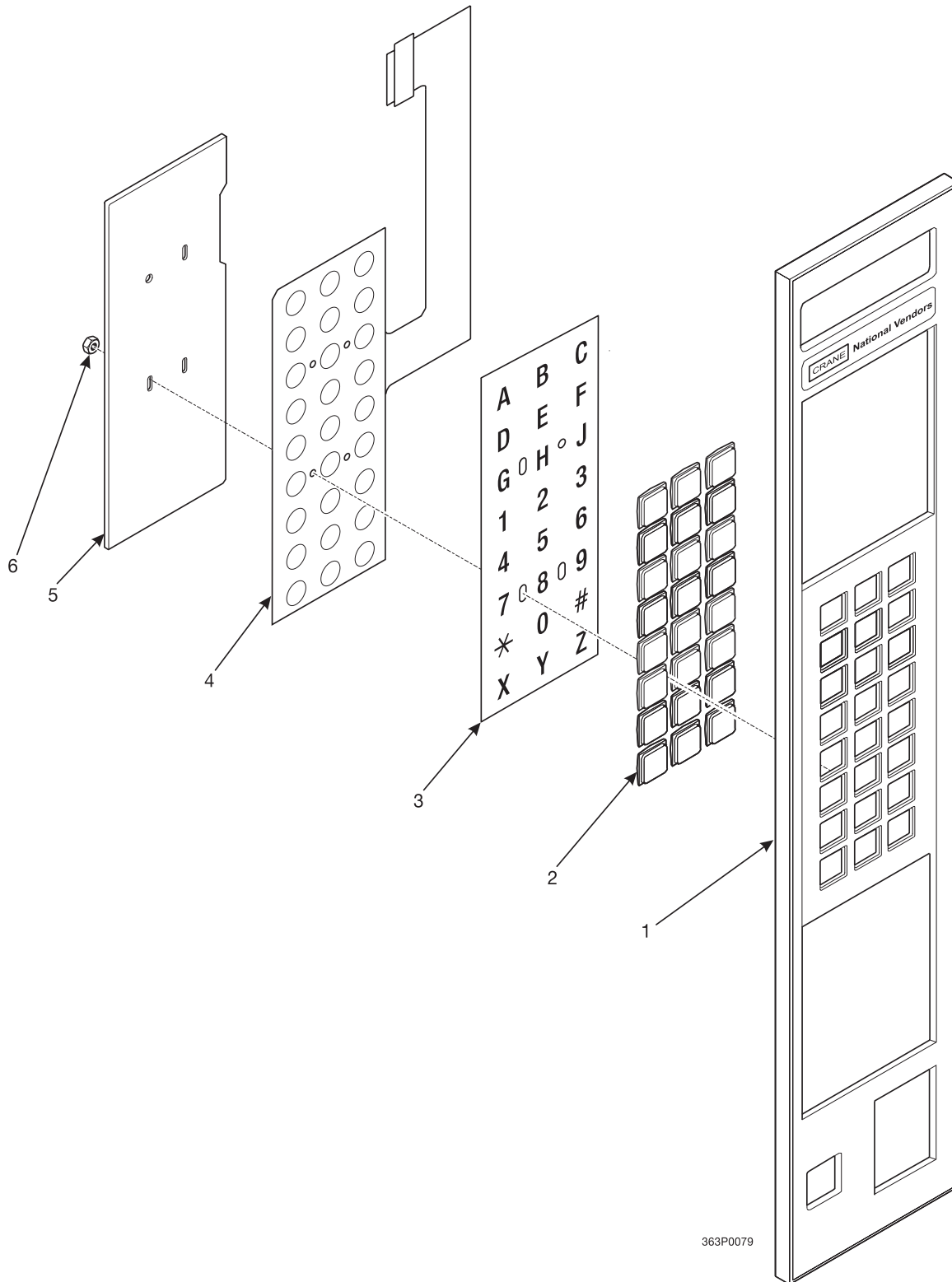
363p0113

Figure 15. Door Hinge Assemblies



TABLE 15. DOOR HINGE ASSEMBLIES

INDEX	PART NUMBER	DESCRIPTION	QTY
1	6232036	SCREW - 5/16 - 18 X .75 FLT.HD SOCKET	4
2	6232208	WELD SCREW - #1/4-20 X 1" LG	2
3	3631025	HINGE ASSEMBLY - UPPER	1
4	6232028	PLATE ASSEMBLY - HINGE MOUNTING	2
5	1211105	1/4 - 20 KEPS NUT EXT LW ZP	2
6	6232031	HINGE ASSEMBLY - DOOR - LOWER	1
7	4242145	BEARING - THRUST - LOWER HINGE	1



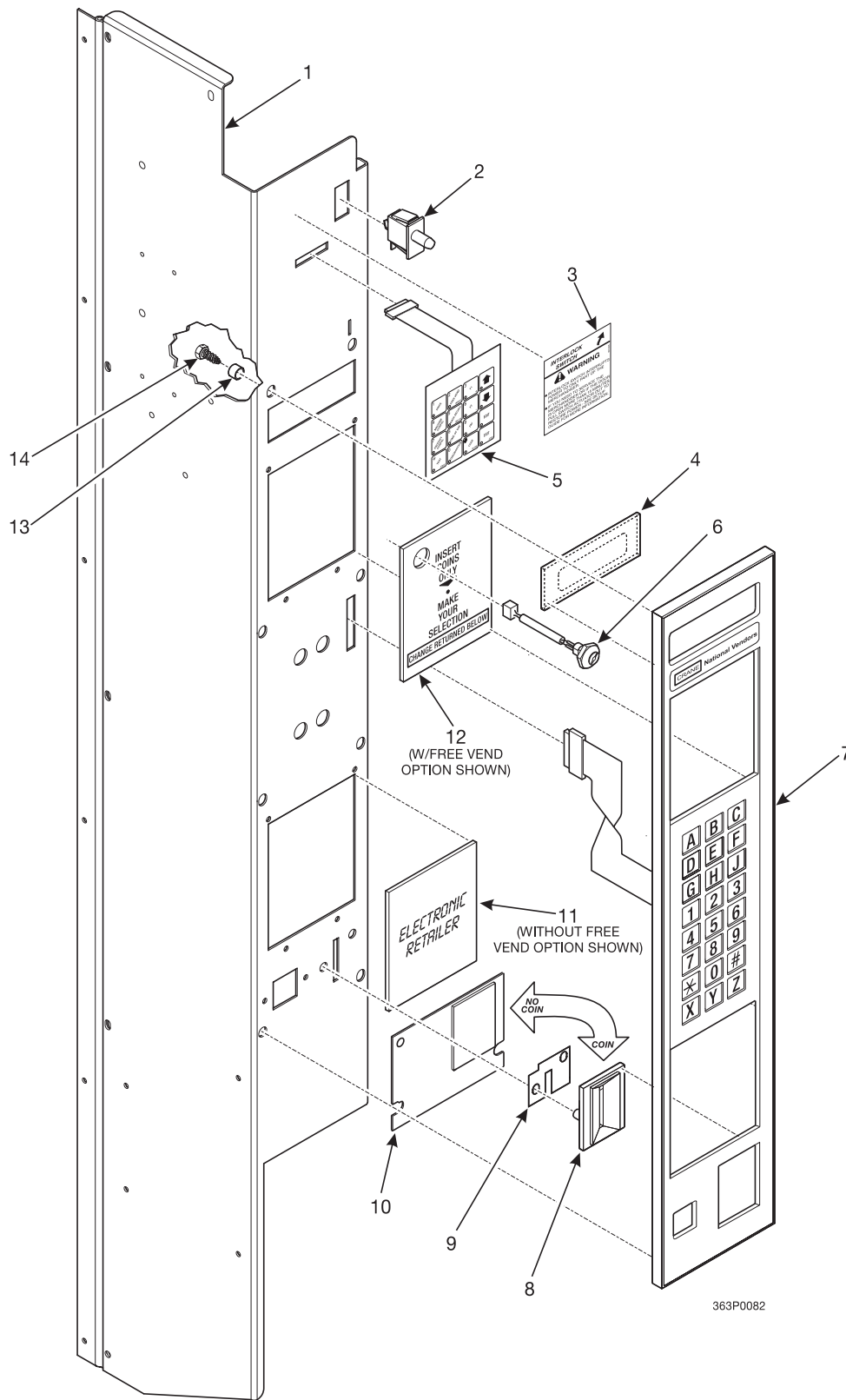
363P0079

Figure 16. Monetary Panel Assembly (Part 1 of 3)



TABLE 16. MONETARY PANEL ASSEMBLY (PART 1 OF 3)

INDEX	PART NUMBER	DESCRIPTION	QTY
-	3635013	FACEPLATE ASSEMBLY	1
1	3635004	PANEL - SELECTION - MONETARY	1
2	1472251	LENS - PUSHBUTTON	24
3	1575058	LETTER SHEET - SELECTION SWITCH	1
4	9984630	MEMBRANE SWITCH ASSEMBLY -SELECT	1
5	1571009	PLATE - SELECT SWITCH - BACK UP	1
6	1475089	1/8" NUT - SELF-THREADING	4



363P0082

Figure 16. Monetary Panel Assembly (Part 2 of 3)



TABLE 16. MONETARY PANEL ASSEMBLY (PART 2 OF 3)

INDEX	PART NUMBER	DESCRIPTION	QTY.
1	1575068	PANEL - WELD ASSEMBLY - MONETARY	1
2	1401110	SWITCH	1
3	3631096	LABEL - INTERLOCK SWITCH - (INTERNATIONAL ONLY)	1
4	1572013	LENS - DISPLAY	1
5	6335002	SERVICE KEYPAD ASSEMBLY	1
6	9989639	SWITCH ASSEMBLY - FREE VEND	OPT.
7	3635013	FACEPLATE ASSEMBLY	OPT.
8	1472223	COIN INSERT	OPT.
9	1472222	COIN BLOCK	OPT.
10	1575044	COVER PLATE ASSEMBLY	OPT.
11	-	PLATE - LOWER (SEE TABLE 16 A FOR DETAILS)	OPT.
12	-	PLATE - UPPER (SEE TABLE 16 A FOR DETAILS)	OPT.
13	2302053	SPACER CUP	-
14	1437204	SCREW - #8-10X.38 HEX HD.TF	-

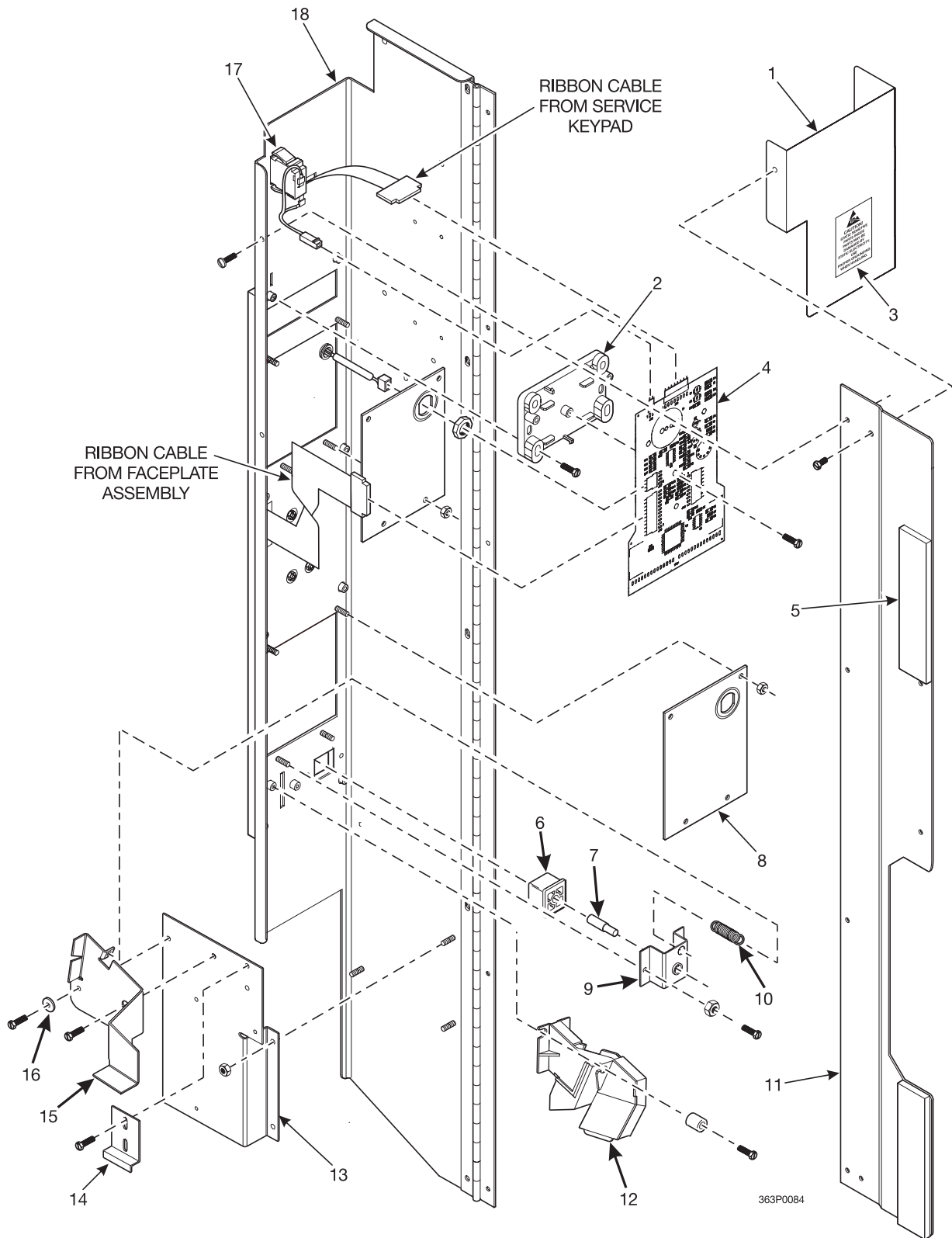


Figure 16. Monetary Panel Assembly (Part 3 of 3)



TABLE 16. MONETARY PANEL ASSEMBLY (PART 3 OF 3)

INDEX	PART NUMBER	DESCRIPTION	QTY.
1	1575029	COVER - DISPLAY	1
2	1571154	LABEL - CAUTION - STATIC ELECTRICITY	1
3	1475099	BRACKET - PCB - DISPLAY	1
4	9989685	PCB ASSEMBLY - DISPLAY	1
5	3122056	MAGNET RETAINER COIN CHANGER	1
6	1475026	BUTTON - COIN RETURN	1
7	1475072	SHAFT - RETURN BUTTON	1
8	1475048	BRACKET - NO VALIDATOR	OPT.
9	1571079	BRACKET - COIN RETURN BUTTON	1
10	1127808	SPRING SHELF RESET	1
11	3635002	PLATE - MAGNET MOUNTING	1
12	1575003	COIN CHUTE ASSEMBLY	OPT.
13	1571081	BRACKET ASSEMBLY - COIN MECHANISM	OPT.
14	6231037	CLAMP - CABLE	1
15	1571113	ARM - SCAVENGER	1
16	2204093	WASHER - SCAVENGER BAR	1
17	1401110	SWITCH	1
18	1575068	PANEL WELD ASSEMBLY - MONETARY	1



TABLE 16 A. MONETARY LOCATION OPTIONS

MONETARY CAPABILITY	MONETARY PANEL LOCATION		WITH COIN?
	UPPER	LOWER	
COIN - VAL - CARD	CARD READER	UPSTACK VALIDATOR	YES
COIN - VAL - CARD	DOWNSTACK VALIDATOR	CARD READER	YES
COIN - VAL	INSERT INSTRUCTIONS BACK-UP PLATE (1575048)	UPSTACK VALIDATOR	YES
COIN - VAL	DOWNSTACK VALIDATOR	INSERT INSTRUCTIONS BACK-UP PLATE (1575048)	YES
COIN - CARD	INSERT INSTRUCTIONS BACK-UP PLATE (1575048)	CARD READER	YES
COIN - CARD	CARD READER	INSERT INSTRUCTIONS BACK-UP PLATE (1575048)	YES
VAL - CARD	DOWNSTACK VALIDATOR	CARD READER	NO
VAL - CARD	CARD READER	DOWNSTACK VALIDATOR	NO
COIN ONLY	INSERT INSTRUCTIONS BACK-UP PLATE (1575048)	INSERT INSTRUCTIONS BACK-UP PLATE (1575048)	YES
VAL ONLY	INSERT INSTRUCTIONS BACK-UP PLATE (1575048)	UPSTACK VALIDATOR	NO
VAL ONLY	DOWNSTACK VALIDATOR	INSERT INSTRUCTIONS BACK-UP PLATE (1575048)	NO
CARD ONLY	CARD READER	INSERT INSTRUCTIONS BACK-UP PLATE (1575048)	NO
CARD ONLY	INSERT INSTRUCTIONS BACK-UP PLATE (1575048)	CARD READER	NO



TABLE 16 B. BILL VALIDATOR OPTIONS

PART NUMBER	DESCRIPTION	UPSTACK OR DOWNSTACK	HARNESS PART NUMBER
1475053	MAKA VALIDATOR - MASK K (NB-1KB-400)	UPSTACK	1579006
3152391	VALIDATOR - MARS - VFM3-S1-U4C-CNS	UPSTACK	1579028
3152444	VALIDATOR - MARS - VFM1-S1-U4C-CNS	UPSTACK	1579005
5900182	VALIDATOR - COINCO - BA30SA	UPSTACK	1579028
5900193	VALIDATOR - MARS - S2000-VN2511U5E-CNS	UPSTACK	1579028
5900198	VALIDATOR - MARS - S2000-VN2311-U5E 11	UPSTACK	1579005
5900205	VALIDATOR - MARS VN2512-U5E 24	UPSTACK	1579032
5900210	VALIDATOR - MARS - VN2512-U5M/500 "MDB"	UPSTACK	-
5900221	VALIDATOR - COINCO - BA32SA-24V	UPSTACK	1579032
5900233	VALIDATOR - CONLUX MKA2152-12B 120V	UPSTACK	1579028
5900234	VALIDATOR - CONLUX 2162-24V-300	UPSTACK	1579050

TABLE 16 C. COIN MECHANISM OPTIONS

PART NUMBER	DESCRIPTION
5900096	COINCO 9340L COIN UNIT
5900097	COIN UNIT - COINCO 9340L-BRC
5900112	MARS MC5000 COIN UNIT
5900116	MARS TRC6000 COIN UNIT
5900192	COIN UNIT - CONLUX USLX00401F
5900209	COIN UNIT - CONLUX USLZ-001 "MDB"
5900243	COIN UNIT - MARS TRC6510 - "MDB"
5900213	COIN UNIT - COINCO - 9302-GX "MDB"
5900214	COIN UNIT - MARS - VN4510 - MDB
5900216	COIN UNIT - MARS - VN4000, 110V
5900217	COIN UNIT - MARS - VN4010XV-24V
5900237	COIN MECH - CONLUX USLX-OO1 12
6400002	COIN CHANGER - MARS #TRC6010XV
6400003	COIN CHANGER - COINCO #9302LF-24

NOTE
NATIONAL VENDORS DOES NOT SELL EXEC COIN MECHANISMS FOR THE INTERNATIONAL MARKET

TABLE 16 D. CARD READERS

PART NUMBER	DESCRIPTION	HARNESS PART NUMBER
1475107	DEBITEK # VIS-MM-NAT SYSTEM III	6330828
6231515	PLATE ASSEMBLY - DEBIT CONTROLLER MOUNTING	-



TABLE 16 E. MONETARY CAPABILITY (PART 1)

COUNTRY/LANGUAGE		COIN VAL CARD	COIN VAL	COIN CARD
U.S. ENGLISH:	NO FREEVEND	N/A	1575012	1575013
U.S. ENGLISH:	FREEVEND	N/A	1575025	1575026
U.K:	NO FREEVEND	N/A		
U.K:	FREEVEND	N/A		
GERMANY:	NO FREEVEND	N/A		
GERMANY:	FREEVEND	N/A		
MEXICO:	NO FREEVEND	N/A		
MEXICO:	FREEVEND	N/A		
FRANCE:	NO FREEVEND	N/A		
FRANCE:	FREEVEND	N/A		
AUSTRALIA/ N.Z:	NO FREEVEND	N/A		
AUSTRALIA/ N.Z:	FREEVEND	N/A		
ARGENTINA:	NO FREEVEND	N/A		
BRAZIL:	NO FREEVEND	N/A		
SAUDI ARABIA:	NO FREEVEND	N/A	1575012	
SAUDI ARABIA:	FREEVEND	N/A	2271408	
SPAIN:	NO FREEVEND	N/A		
SPAIN:	FREEVEND	N/A		

Twin Drink Center Parts Manual

TABLE 16 E. MONETARY CAPABILITY (PART 2)

VAL CARD	COIN	VAL	TOKEN OR CARD	VAL CARD
N/A	1575013		1575035	N/A
	1575035			
N/A	1575026		1575035	N/A
	1575035			
N/A	1575013			N/A
	1575036			
N/A	1575026			N/A
	1575036			
N/A	1572014			N/A
	1571038			
N/A	1575023			N/A
	1571038			
N/A	1575014			N/A
	1575040			
N/A	1575022			N/A
	1575040			
N/A	1572015			N/A
	1672027			
N/A	1575024			N/A
	1672027			
N/A	1575013			N/A
	1575035			
N/A	1575026			N/A
	1575035			
N/A	1575015			N/A
	1575012			
N/A			1572016	N/A
			1575034	
N/A	1575013			N/A
	1575035			
N/A	1575026			N/A
	1575035			
N/A	1575014			N/A
	1672027			
N/A	1575022			N/A
	1672027			

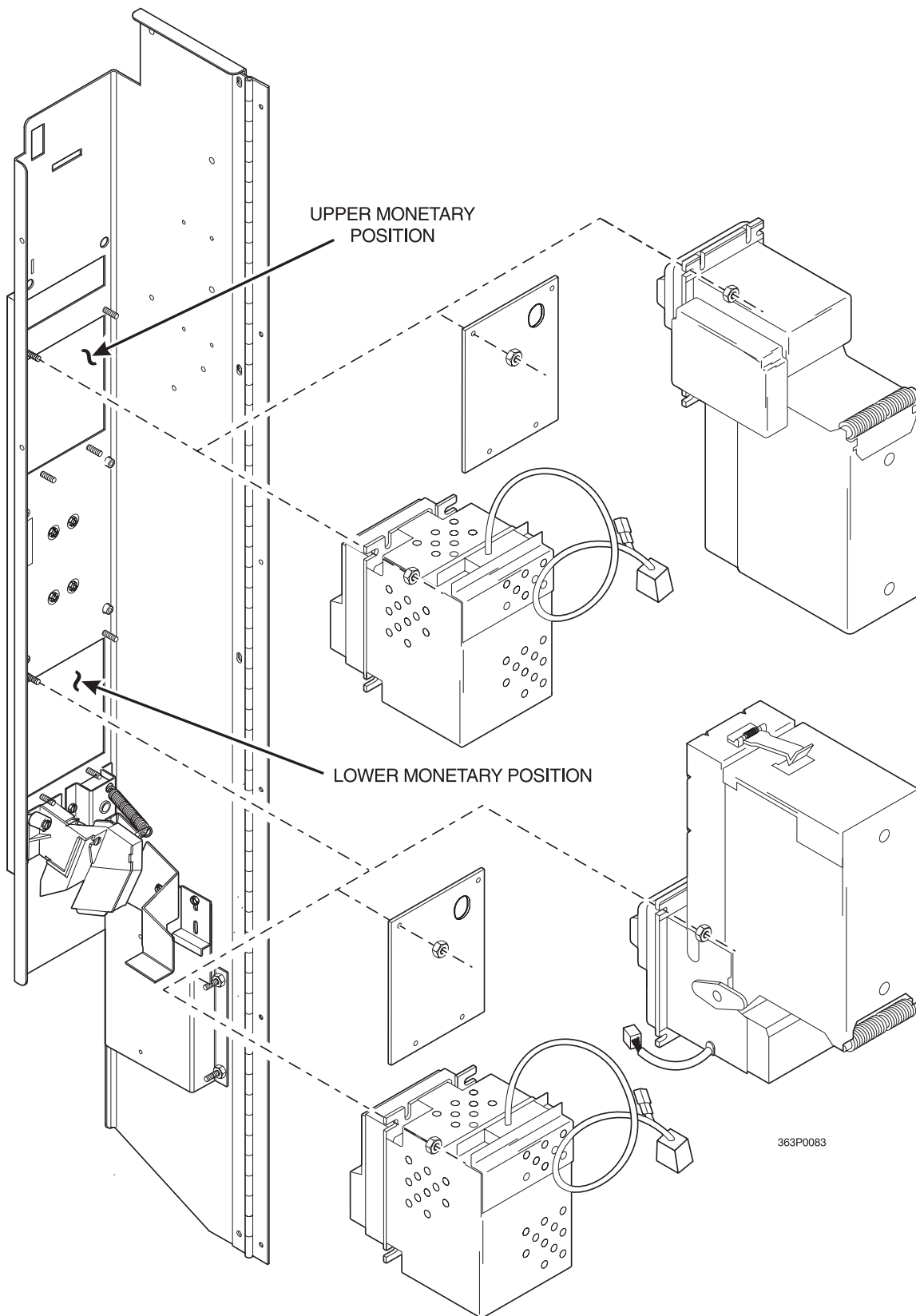


Figure 17. Card Reader and Bill Validator Combinations



TABLE 17. CARD READER AND BILL VALIDATOR COMBINATIONS

INDEX	PART NUMBER	DESCRIPTION
1	-	DOWNSTACK BILL VALIDATOR (SEE TABLE 16 A FOR DETAILS)
2	9900081	NUT
3	1575048	INSTRUCTION INSERT BACKING PLATE
4	-	DEBIT CARD READER (SEE TABLE 16 A FOR DETAILS)
5	-	UPSTACK BILL VALIDATOR (SEE TABLE 16 A FOR DETAILS)
6	1575068	MONETARY PANEL WELD ASSEMBLY

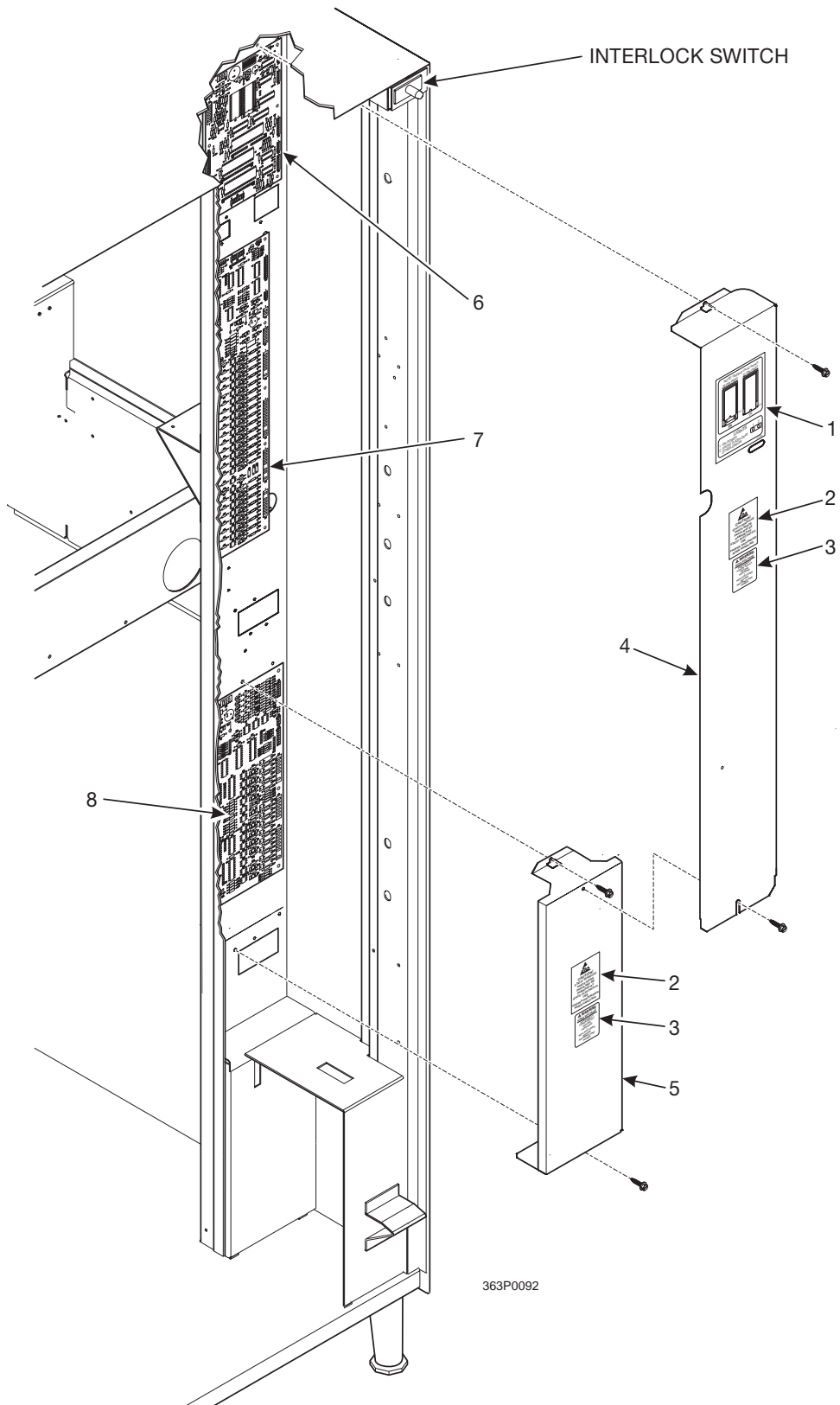


Figure 18. Monetary Channel Assembly



TABLE 18. MONETARY CHANNEL ASSEMBLY

INDEX	PART NUMBER	DESCRIPTION	INDEX
1	1211141	SWITCH	1
2	1571042	LABEL - LED & EPROM - ENGLISH	2
3	2342216	LABEL - STATIC - CAUTION - ENGLISH	3
4	6231189	LABEL - WARNING - HIGH VOLTAGE - ENGLISH	4
5	3631037	COVER - PCB - UPPER	5
6	3631038	COVER - PCB - LOWER	6
7	9989678	PCB ASSEMBLY - MAIN CONTROLLER	7
8	6336000	PCB ASSEMBLY - HOT DRINK INTERFACE	8
9	3636000	PCB ASSEMBLY - TWIN/EURO - INTERFACE	9

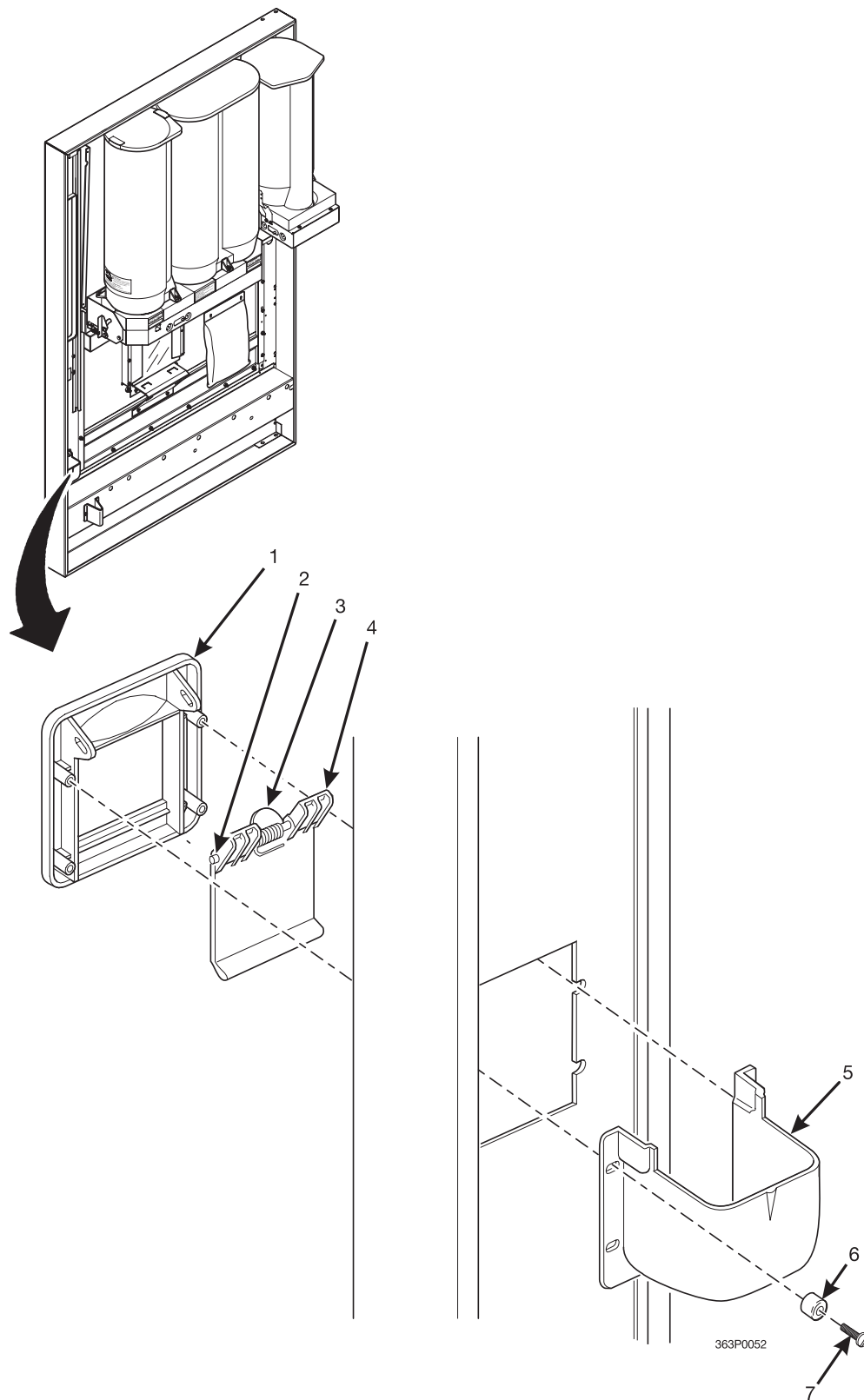
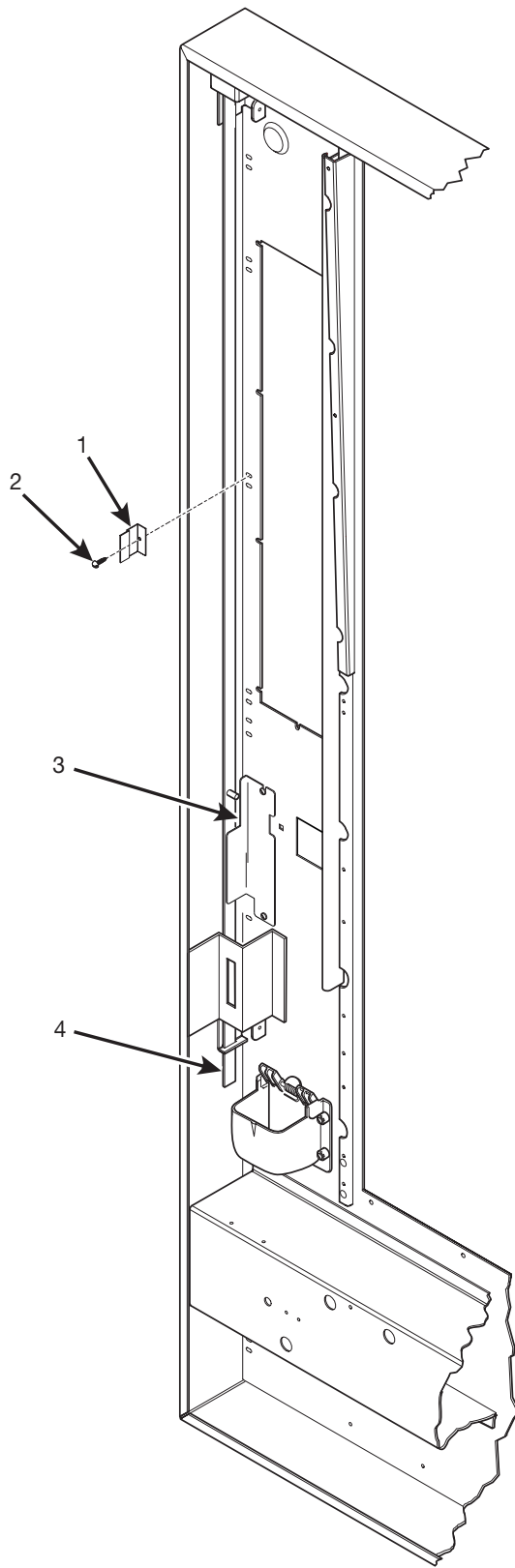


Figure 19. Coin Receptacle Assembly



TABLE 19. COIN RECEPTACLE ASSEMBLY

INDEX	PART NUMBER	DESCRIPTION	QTY.
1	1572011	TRIM - COIN RECEPTACLE	1
2	4245084	SHAFT - DOOR - COIN RETURN	1
3	4245083	SPRING - COIN RETURN DOOR	1
4	4245082	GATE COIN RETURN	1
5	1572010	CUP - COIN RETURN	1
6	2302053	SPACER - CUP	4
7	-	SCREW, #8-32 X 1/2 PHS S/T	4



363p0235

Figure 20. Door Lock Assembly



TABLE 20. DOOR LOCK ASSEMBLY

INDEX	PART NUMBER	DESCRIPTION	QTY.
1	1472250	GUIDE - LOCK BAR	1
2	-	SCREW	1
3	1572196	CHANNEL - FILLER - LOCK (MILLENNIA STYLE ONLY)	1
4	1472178	LOCKBAR ASSEMBLY	1

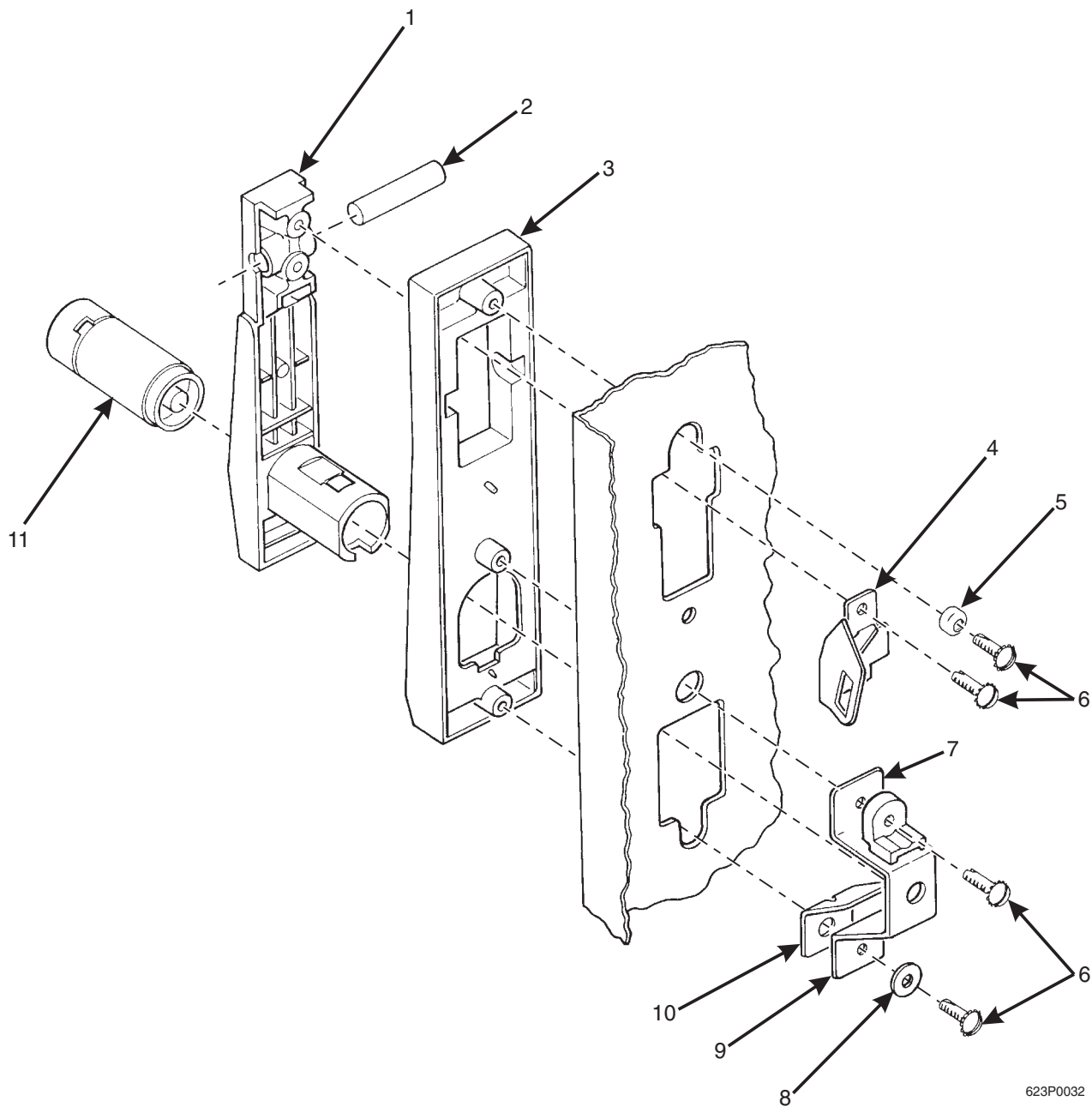
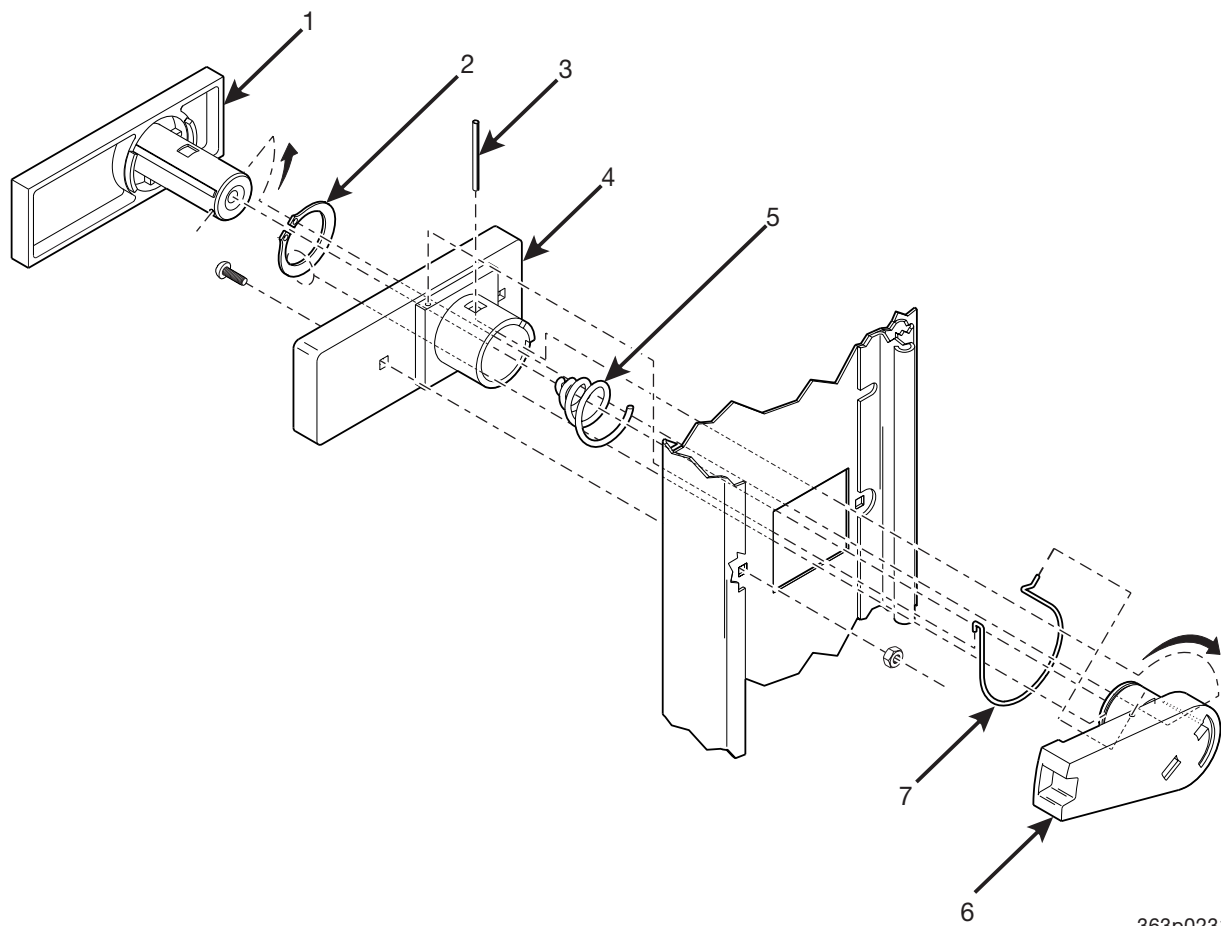


Figure 21. Standard Door Lock and Handle Assembly



TABLE 21. STANDARD DOOR LOCK AND HANDLE ASSEMBLY

INDEX	PART NUMBER	DESCRIPTION	QTY.
1	1172190	LEVER - LOCK	1
2	1302291	PIVOT - LEVER LOCK	1
3	1172191	BASE - LEVER LOCK	1
4	2272052	ACTUATOR ASSEMBLY - LOCK BAR	1
5	1302289	CUP SPACER	2
6	1217161	SCREW, #10-32 X 1/2 RHS W/LW	5
7	1302326	SHIELD - LATCH	1
8	9900121	WASHER - STEEL - 7/16 X .203 X .032	1
9	1302324	CATCH - DOOR LATCH	1
10	1302290	LATCH - LOCK LOWER	1
11	9992400	CYLINDER - LOCK	1
	3112163	VAN LOCK	(OPT)
-	3112164	KEY (NOT SHOWN) VAN LOCK APPLICATION (NOT SHOWN)	1 (OPT)



363p0231

Figure 22. Millennium Door Lock and Handle Assembly



TABLE 22. MILLENNIA DOOR LOCK AND HANDLE ASSEMBLY

INDEX	PART NUMBER	DESCRIPTION	QTY.
1	1572201	LEVER - HANDLE	1
2	1572199	RETAINING RING - LOCK ACTUATOR	1
3	4047061	ROLL PIN 1/8X1 1/8	1
4	1572200	BASE - LOCK HANDLE	1
5	1572203	SPRING - LOCK	1
6	1572202	ACTUATOR - LOCK BAR	1
7	1572204	SPRING - LIFT - ACTUATOR	1

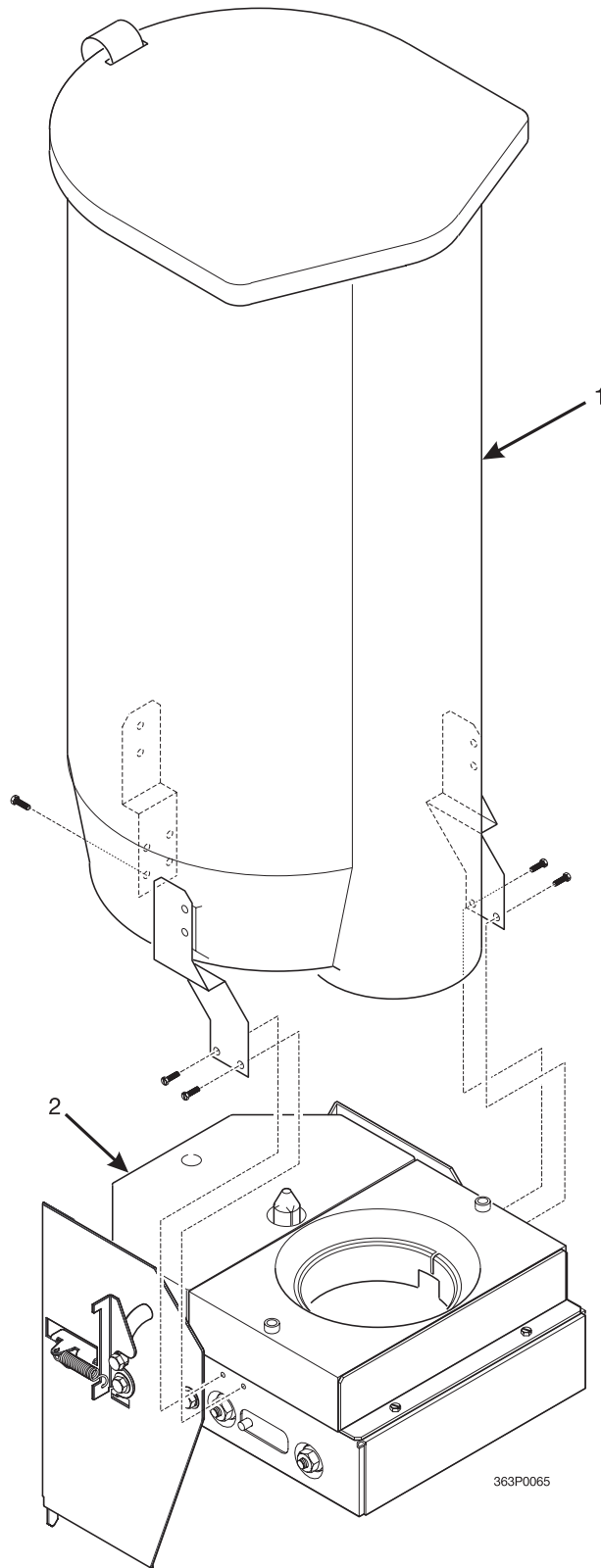


Figure 23. Mech and Canister Assembly - 4 Column 12/18 oz.



TABLE 23. MECH AND CANISTER ASSEMBLY - 4 COLUMN 12/18 OZ.

INDEX	PART NUMBER	DESCRIPTION	QTY.
-	3633021	MECH AND CANISTER ASSEMBLY - 4 COLUMN 12/18 OZ.	1
1	3633001	TURRET AND CANISTER ASSEMBLY (SEE FIGURE 24 FOR DETAILS)	1
2	3633020	MECHANISM ASSEMBLY - 4 COLUMN - 12/18 OZ (SEE FIGURE 25 FOR DETAILS)	1

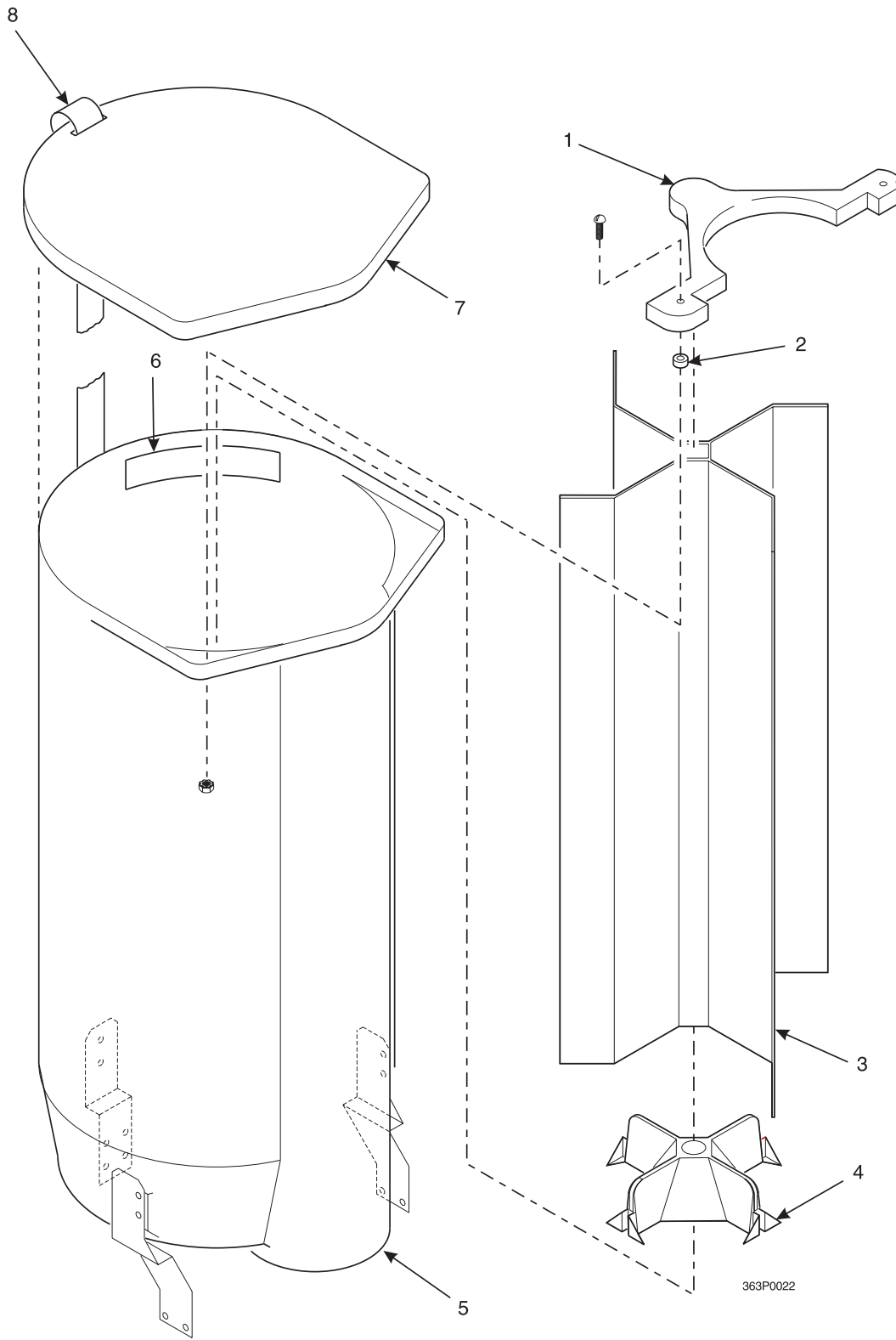
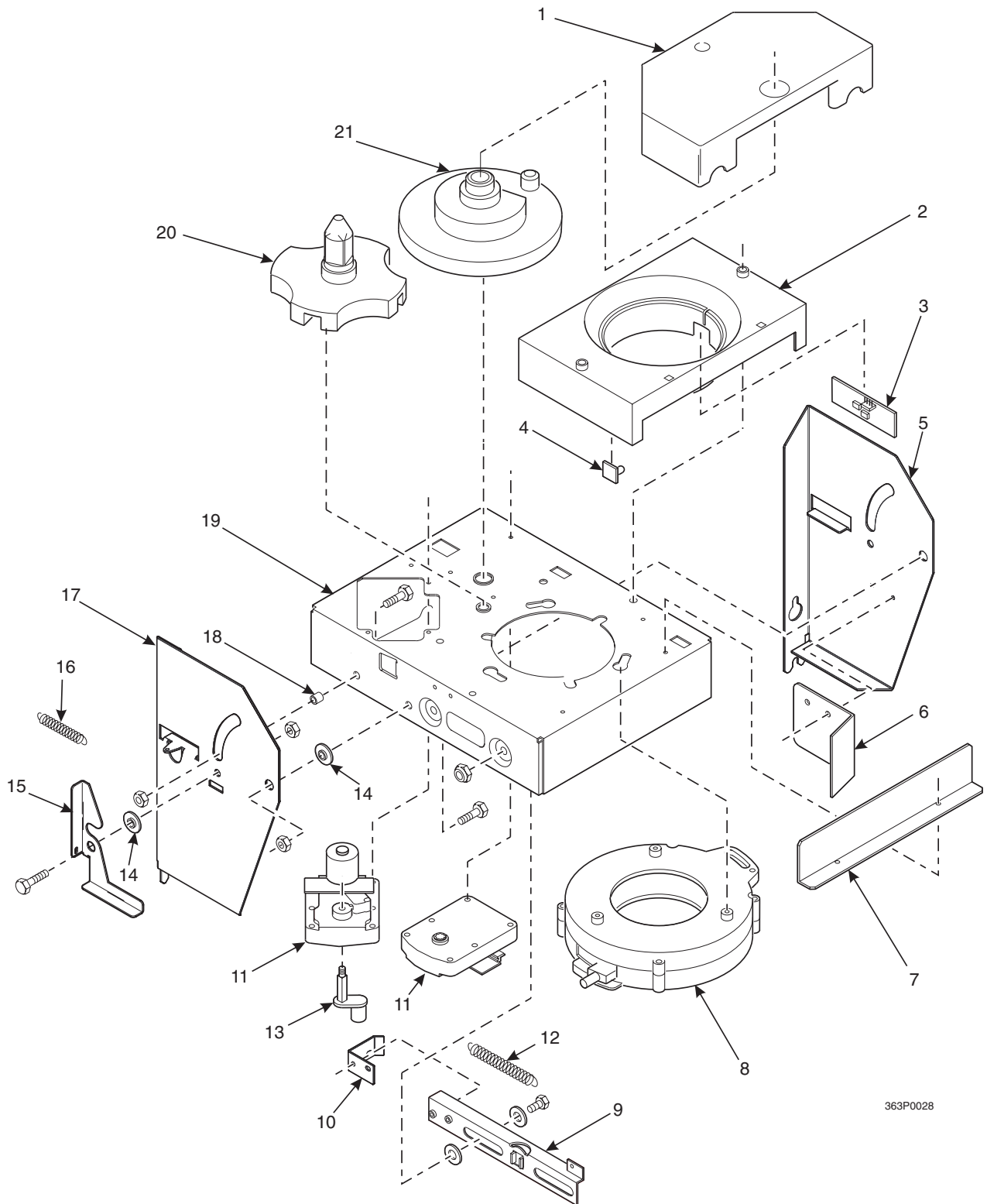


Figure 24. Turret and Canister Assembly - 12/18 oz.



TABLE 24. TURRET AND CANISTER ASSEMBLY - 12/18 OZ.

INDEX	PART NUMBER	DESCRIPTION	QTY.
-	3633012	TURRET & CANISTER ASSEMBLY	1
1	3633008	BEARING - TURRET TOP	1
2	2302053	SPACER CUP	1
3	3633007	CENTER VANE - TURRET	1
4	6233048	BASE - TURRET	1
5	3633005	CANISTER - CUP - 4 COL - 12/18 OZ	1
6	6233095	LABEL - FILL LINE	1
7	3633006	LID - CANISTER - 4 - 12/18	1
8	6333003	STRAP - CANISTER	1
-	6114121	WASHER - ROLLER	6
-	6138181	WASHER - PLATE	2
-	9900081	NUT #8-32 KEPS ZINC PLATE	1



363P0028

Figure 25. 12 - 18 oz. Mechanism Assembly



Twin Drink Center Parts Manual

TABLE 25. 12 - 18 OZ. MECHANISM ASSEMBLY

INDEX	PART NUMBER	DESCRIPTION	QTY
-	3633020	MECHANISM ASSEMBLY - 4 COLUMN - 12/18 OZ	OPT.
1	6233010	COVER - END	1
2	6233012	COVER - CENTER	1
3	6233105	PCB ASSEMBLY - DETECTOR CUP SENSOR	1
4	6233107	PCB ASSEMBLY - LED - CUP SENSOR	1
5	3633019	BRACKET - MECH. MOUNTING - RIGHT	1
6	3631109	BRACKET - CUP DELIVERY ASSEMBLY	1
7	3633013	BRACKET - BASE COLUMN	1
8	3143055	CUP RING ASSEMBLY - 14 OZ /16 OZ (SEE FIGURE 26 FOR DETAILS)	1
9	3633014	ACTUATOR - CUP RING	1
10	3633017	ACTUATOR - RAMP	1
11	1577035	MOTOR & PCB ASSEMBLY	2
12	4733035	SPRING - CUP RELEASE ARM	1
13	6233058	CRANK ARM & ROLLER ASSEMBLY	1
14	6233028	BUSHING	2
15	3633022	LATCH	1
16	2301057	SPRING ELEVATOR STOP	1
17	3633018	BRACKET - MECH. MOUNTING - LEFT	1
18	6233062	SPACER - 0.260 ID X 0.34 OD X 0.312	1
19	3633002	PLATE - BASE - COLUMN	1
20	6233013	DRIVER - GENEVA	1
21	6233014	INDEX PLATE - GENEVA	1
-	1141054	SCREW 1/4-20 X 3/4 HEX HD ZP (NOT SHOWN)	-
-	1451097	SCREW - #8-32 X 0.31 HEX HD.TF - BL	-
-	1457027	SCREW - #8-32 X 0.81 HEX HD.-T/	6
-	3639011	HARNESS - CUP MECHANISM - TWIN (NOT SHOWN)	1
-	4041241	NUT 1/4-20 SELF LOCKING	7
-	6233021	SCREW - 1/4 X 20 X 0.5 HEX HD	6
-	6233065	SCREW - #8-16 X 0.38 PLAST. HHS	2
-	6233072	GROMMET - STRAIN RELIEF (NOT SHOWN)	1
-	6233077	BOLT - #1/4 X 20 X 2.38 HHS	2
-	6233106	HARNESS - CUP DETECTOR/LED JUMPER (NOT SHOWN)	1
-	6404034	WASHER - .687 O.D. X .265 I.D.	3
-	9900034	WASHER - STEEL 3/8 X 0.170 X .032	-

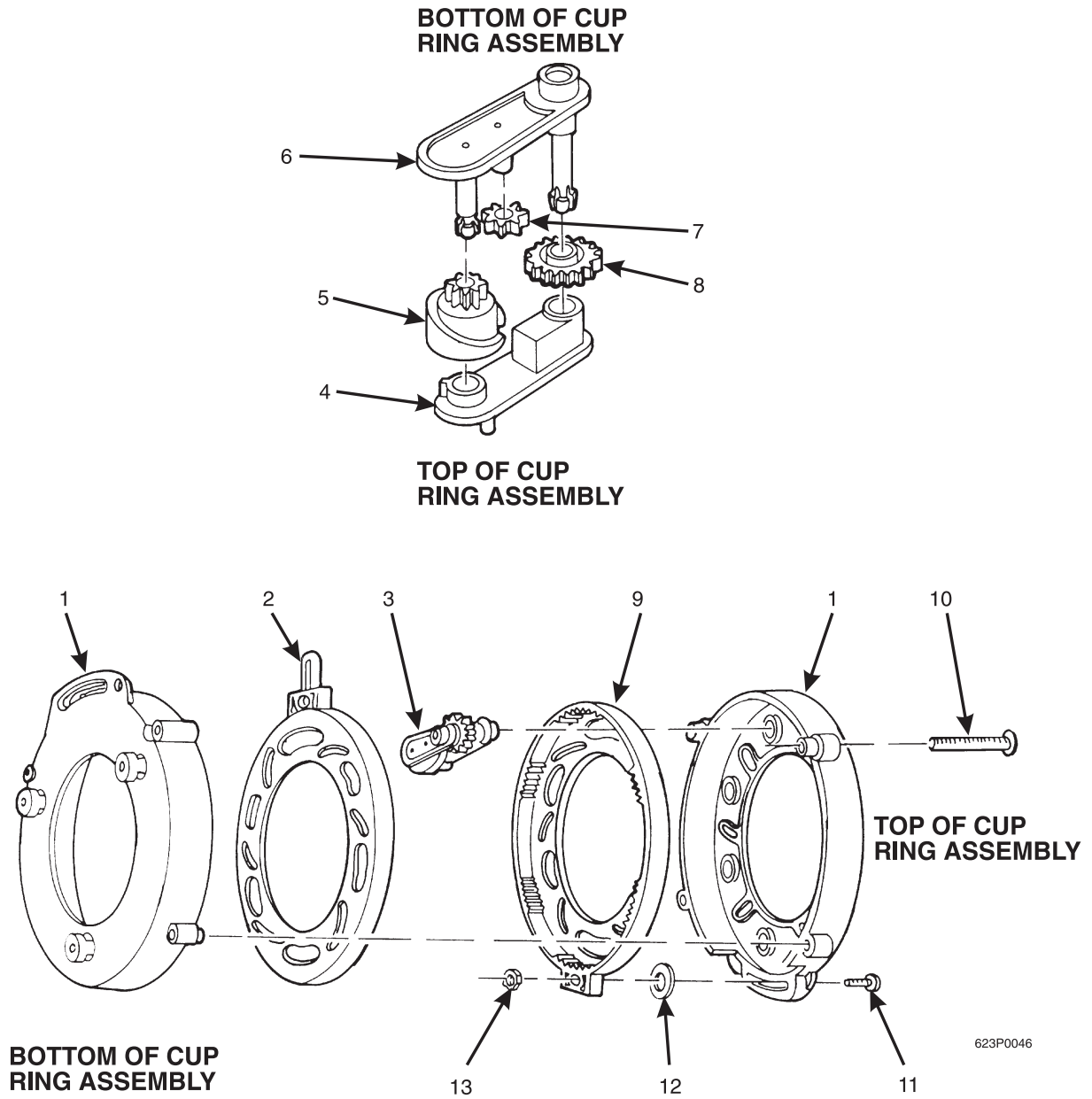


Figure 26. Cup Ring Assembly - 12-16 oz.



TABLE 26. CUP RING ASSEMBLY - 12-16 OZ.

INDEX	PART NUMBER	DESCRIPTION	QTY.
-	3143055	CUP RING ASSEMBLY (14 OZ. TO 16 OZ.)	REF
1	3143056	HOUSING - CUP RING	2
2	3143057	GEAR - INTERNAL	1
3	3143130	CAM AND GEAR ASSEMBLY (INCLUDES INDEX NUMBERS 4 THROUGH 8)	6
4	3143017	RETAINER - CAM	1
5	3143129	CAM - CUP	1
6	3143013	ARM - CAM	1
7	3143015	GEAR - 10 TOOTH	1
8	3143016	GEAR - 18 TOOTH	1
9	3143058	GEAR - INTERNAL - ADJUSTER	1
10	3143010	SCREW - #8-16 X 1.12 PHS	4
11	3143009	SCREW - #8-32 X .50 PHS	1
12	6114121	WASHER ROLLER	1
13	3143011	NUT - #8-32 SELF LOCKING	1

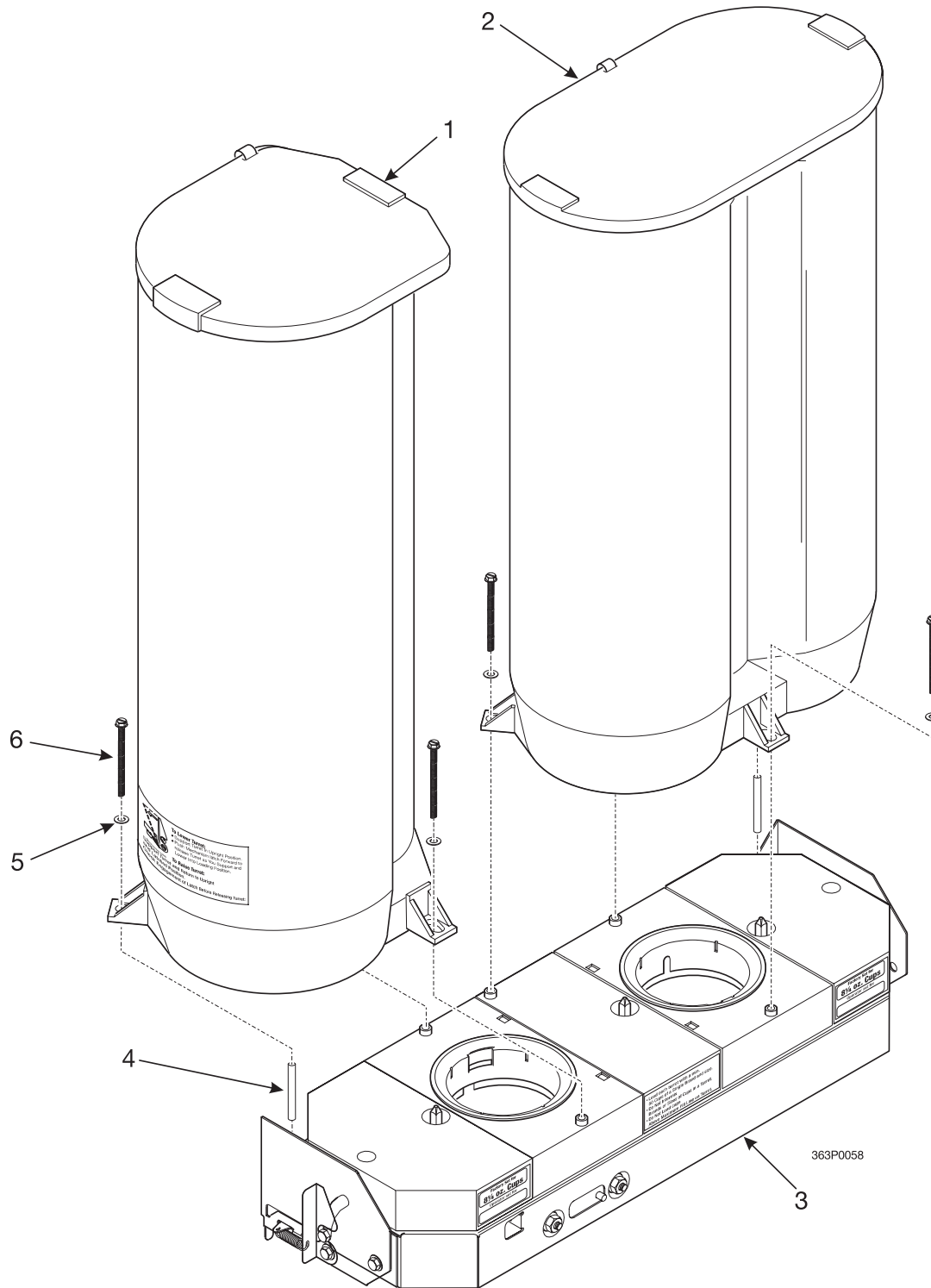


Figure 27. Mech and Canister Assembly - 11 Column



TABLE 27. MECH AND CANISTER ASSEMBLY - 11 COLUMN

INDEX	PART NUMBER	DESCRIPTION	QTY.
-	6233100	MECH & CANISTER ASSEMBLY - 11 COLUMN	1
1	6233103	TURRET & CANISTER ASSEMBLY - 4 COLUMN (SEE FIGURE 29 FOR DETAILS)	1
2	6233102	TURRET & CANISTER ASSEMBLY - 7 COLUMN (SEE FIGURE 28 FOR DETAILS)	1
3	6233101	MECHANISM ASSEMBLY - 11 COLUMN (SEE FIGURE 30 FOR DETAILS)	1
4	6263002	SPACER-.277ID X .375OD X 1.94	2
5	6233077	WASHER 5/8X.265X.048 ZINC/YE	7
6	6131066	BOLT - #1/4 X 20 X 2.38 HHS	4
7	6233007	FUNNEL - 3.25 CUP DIAMETER (NOT SHOWN)	2

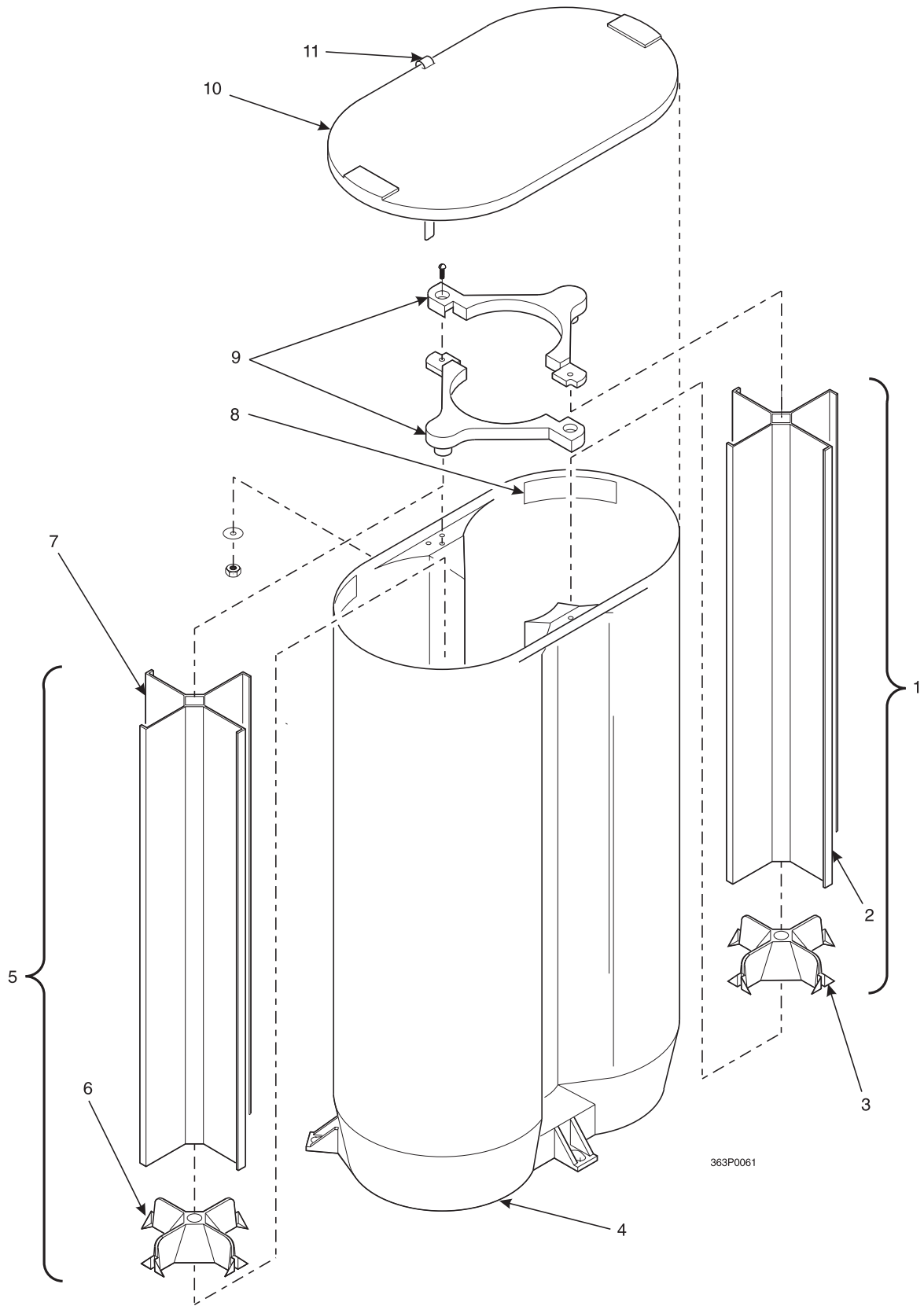


Figure 28. Turret and Canister Assembly - 7 Column



TABLE 28. TURRET AND CANISTER ASSEMBLY - 7 COLUMN

INDEX	PART NUMBER	DESCRIPTION	QTY.
-	3633012	TURRET & CANISTER ASSEMBLY	-
1	6233108	TURRET ASSEMBLY 1A (INCLUDES THE NEXT 2 ITEMS)	1
2	6233061	TURRET - CENTER	1
3	6233048	BASE - TURRET	1
4	6233092	CANISTER - CUP - 7 COLUMN	1
5	6233109	TURRET ASSEMBLY 1B (INCLUDES THE NEXT 2 ITEMS)	1
6	6233048	BASE - TURRET	1
7	6233061	TURRET - CENTER	1
8	6233095	LABEL - FILL LINE	1
9	6233030	BEARING - TURRET TOP	2
10	6233093	LID - CANISTER - 7 COLUMN	1
11	6333003	STRAP - CANISTER	1
-	6138181	WASHER - PLATE	2
-	9900081	NUT - #8-32 KEPS ZINC PLATE	-

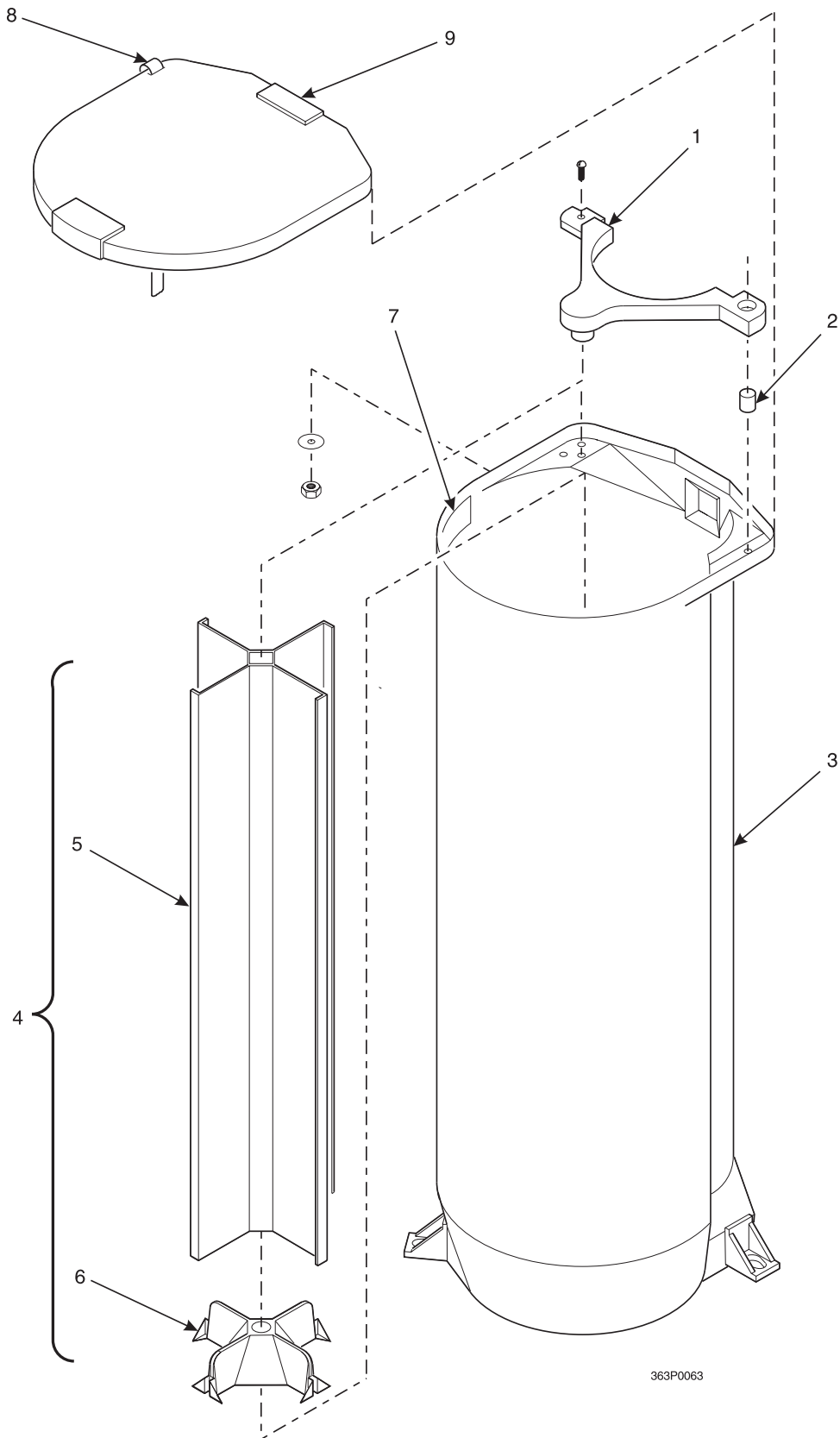


Figure 29. Turret and Canister Assembly - 4 Column



TABLE 29. TURRET AND CANISTER ASSEMBLY - 4 COLUMN

INDEX	PART NUMBER	DESCRIPTION	QTY.
-	6233103	TURRET & CANISTER ASSEMBLY - 4 COLUMN	1
1	6233030	BEARING - TURRET TOP	1
2	2302053	SPACER - CUP	1
3	6233088	CANISTER - CUP - 4 COLUMN	1
4	6233109	TURRET ASSEMBLY 1B (CONTAINS THE NEXT 2 ITEMS)	1
5	6233061	TURRET - CENTER	1
6	6233048	BASE - TURRET	1
7	6233095	LABEL-FILL LINE	1
8	6333003	STRAP - CANISTER	1
9	6233089	LID - CANISTER - 4 COLUMN	1
-	6138181	WASHER - PLATE	2
-	9000081	NUT - #8-32 KEPS ZINC PLATE	-
-	9900115	SCREW - #8-32 X 3/4 RHS	-

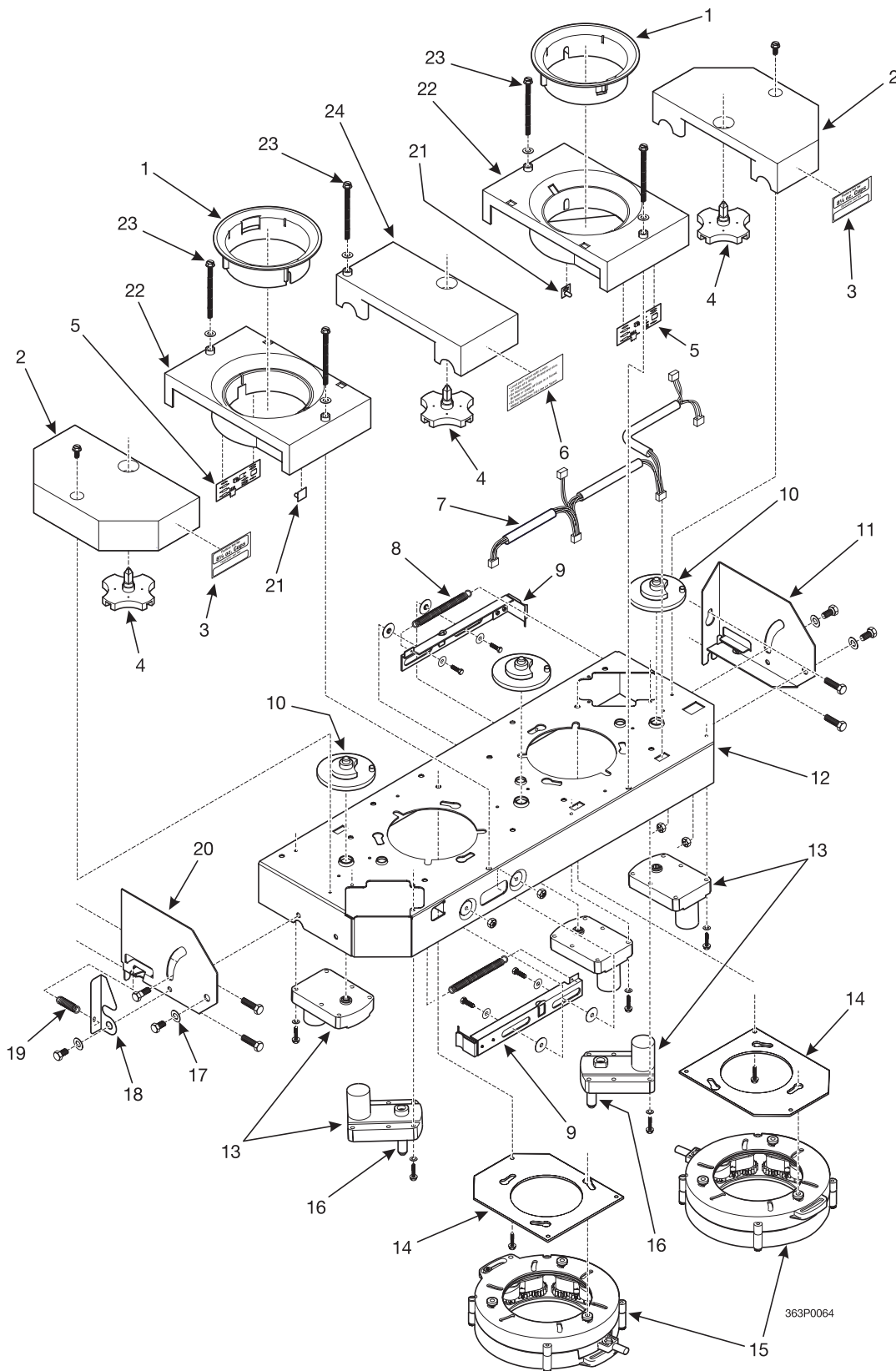


Figure 30. Mechanism Assembly - 11 Column



TABLE 30. MECHANISM ASSEMBLY - 11 COLUMN

INDEX	PART NUMBER	DESCRIPTION	QTY.
-	6233101	MECHANISM ASSEMBLY - 11 COLUMN	1
1	6233007	FUNNEL - 3.25 CUP DIAMETER	2
2	6233010	COVER - END	2
3	6233073	LABEL - CUP SIZE	2
4	6233014	INDEX PLATE - GENEVA	3
5	6233105	PCB ASSEMBLY - DETECTOR CUP SENSOR	2
6	6233074	LABEL - CUP TURRET LOADING	1
7	6239048	HARNESS - CUP MECHANISM	1
8	4733035	SPRING - CUP RELEASE ARM	2
9	6233031	ACTUATOR ASSEMBLY - CUP RING	2
10	6233013	DRIVER - GENEVA	3
11	6233019	BRACKET - MECHANISM MOUNTING - LEFT	1
12	6233016	BASE PLATE - 11 COLUMN	1
13	1577035	MOTOR & PCB ASSEMBLY	5
14	6233001	PLATE - CUP RING MOUNTING	2
15	3143005	CUP RING ASSEMBLY - 7 - 12 OZ (SEE FIGURE 31 FOR DETAILS)	2
16	6233058	CRANK ARM & ROLLER ASSEMBLY	2
17	6233028	BUSHING	8
18	6233037	LATCH	1
19	2301057	SPRING ELEVATOR STOP	1
20	6233018	BRACKET - MECHANISM MOUNTING - RIGHT	1
21	6233107	PCB ASSEMBLY - LED - CUP SENSOR	2
22	6233012	COVER - CENTER	2
23	6233077	BOLT - #1/4 X 20 X 2.38 HHS	3
24	6233082	COVER - CENTER - MOTOR	1

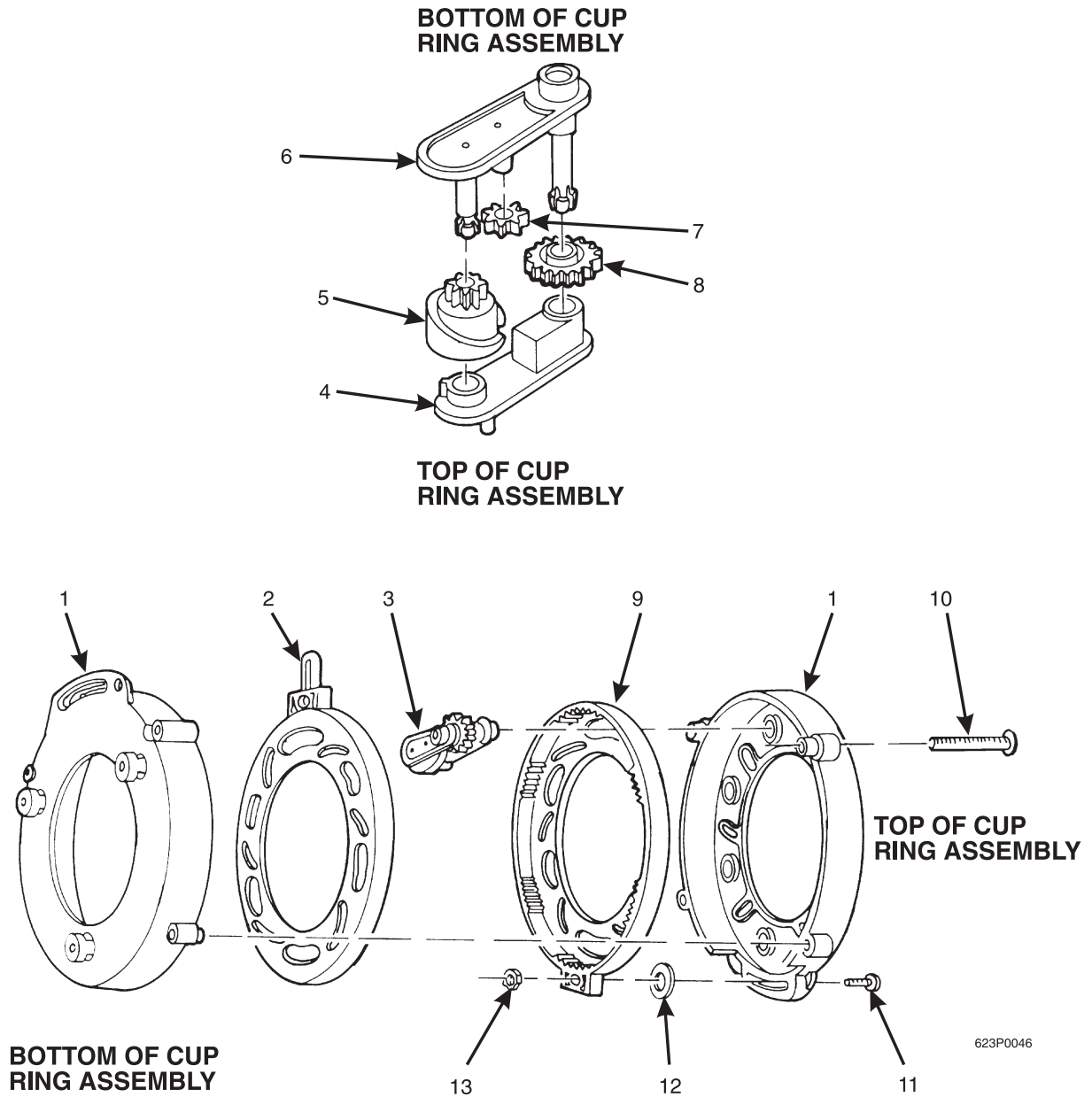


Figure 31. Cup Ring Assembly (5 oz to 12 oz)



TABLE 31. CUP RING ASSEMBLY (5 OZ TO 12 OZ)

INDEX	PART NUMBER	DESCRIPTION	QTY.
-	3143005	CUP RING ASSEMBLY (5 OZ. TO 12 OZ.)	REF
1	3143006	HOUSING - CUP RING	2
2	3143007	GEAR - INTERNAL	1
3	3143130	CAM AND GEAR ASSEMBLY (INCLUDES INDEX NUMBERS 4 THROUGH 8)	6
4	3143017	RETAINER - CAM	1
5	3143129	CAM - CUP	1
6	3143013	ARM - CAM	1
7	3143015	GEAR - 10 TOOTH	1
8	3143016	GEAR - 18 TOOTH	1
9	3143008	GEAR - INTERNAL - ADJUSTER	1
10	3143010	SCREW - #8-16 X 1.12 PHS	4
11	3143009	SCREW - #8-32 X .50 PHS	1
12	6114121	WASHER ROLLER	1
13	3143011	NUT - #8-32 SELF LOCKING	1

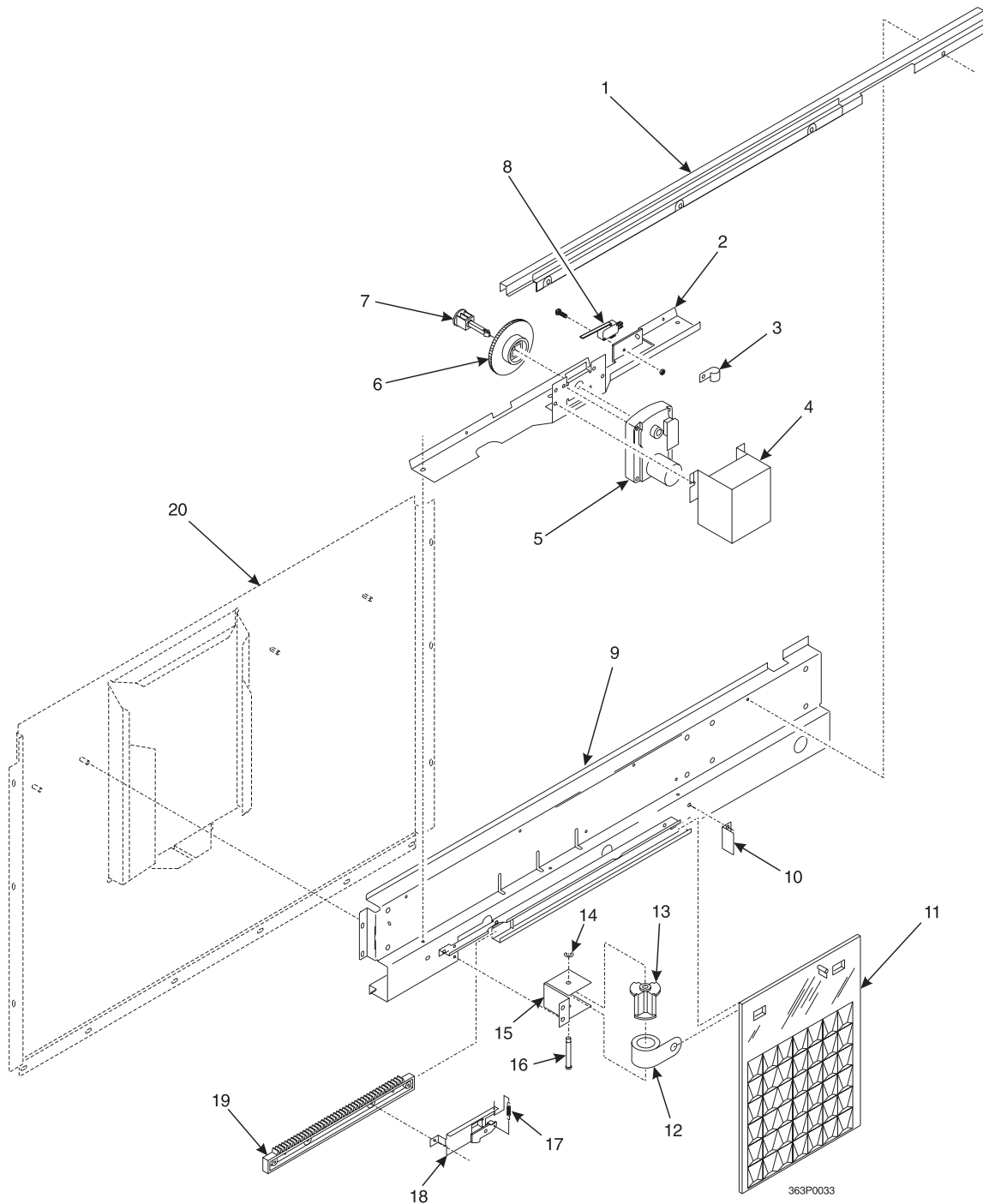
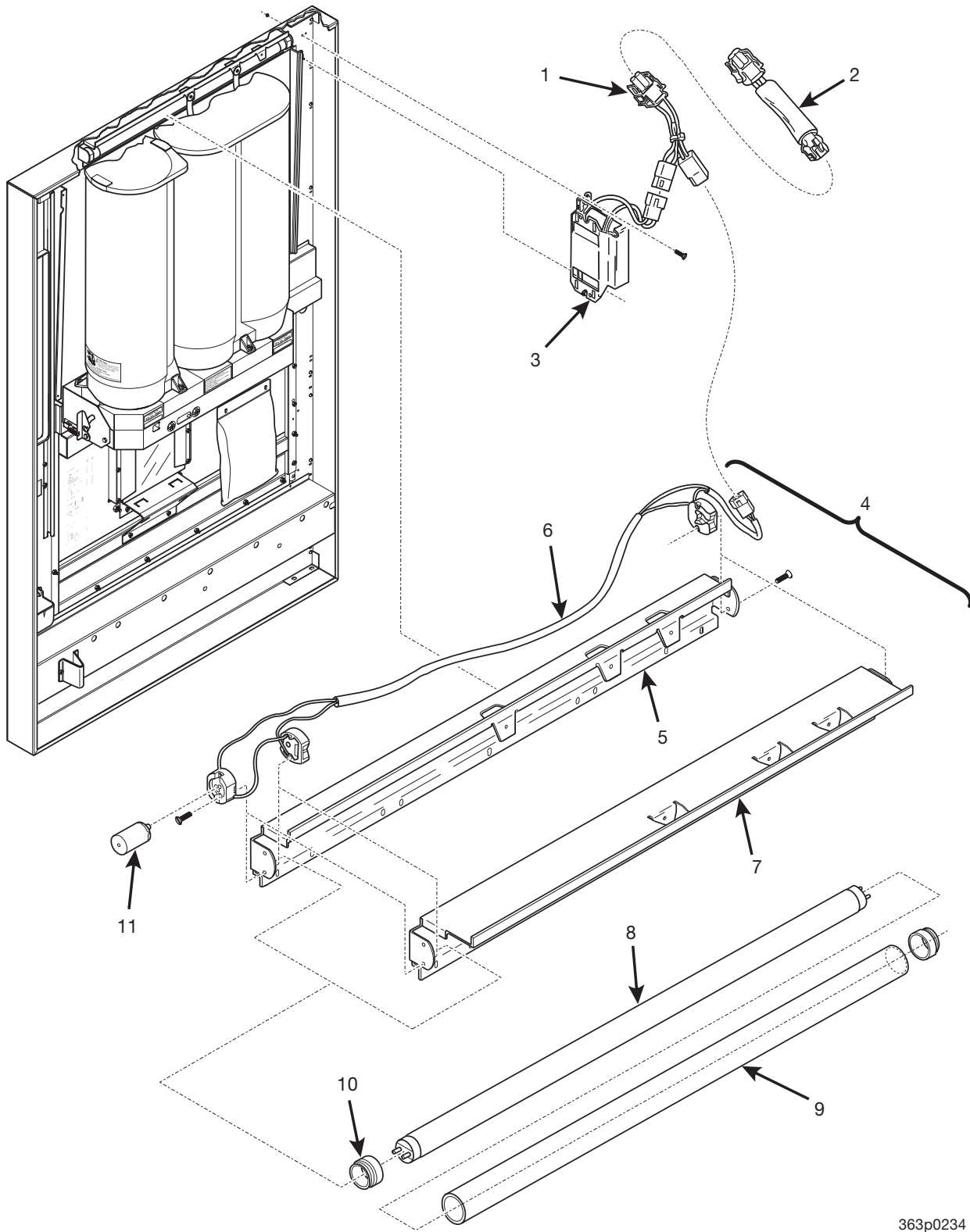


Figure 32. Automatic Delivery Door



TABLE 32. AUTOMATIC DELIVERY DOOR

INDEX	PART NUMBER	DESCRIPTION	QTY.
-	6230805	AUTOMATIC DELIVERY DOOR	OPT.
1	6232047	MOUNT ASSEMBLY-LOWER	1
2	6232079	BRACKET-MOTOR	1
3	2342315	CLIP-WIRE HARNESS	1
4	6232263	COVER-MOTOR-VEND DOOR	1
5	1577035	MOTOR & PCB ASSEMBLY	1
6	1477020	GEAR-TRAY	1
7	1477113	COUPLING-SPIRAL	1
8	5220108	SWITCH	1
9	3632020	BRACE & TRACK ASSEMBLY	1
10	6232096	STOP-DOOR VEND	1
11	6232065	DOOR-VEND	1
12	6232091	SPRING-VEND DOOR	1
13	6232084	SPOOL-SPRING	1
14	9900425	RETAINING RING REINF E TYP.250	1
15	6232089	HOUSING-SPRING	1
16	6232085	SHAFT-SPOOL	1
17	3108141	SPRING COVER AIR GAP	1
18	6232160	PLATE ASSEMBLY-RACK	1
19	6234106	RACK-BREWER	1
20	3632023	CENTER PLATE ASSEMBLY	1



363p0234

Figure 33. Fluorescent Lamp Assembly and Ballast



TABLE 33. FLUORESCENT LAMP ASSEMBLY AND BALLAST

INDEX	PART NUMBER	DESCRIPTION	QTY.
1	3156032	JUMPER - FILTER AND FLUORESCENT LIGHT	1
2	1451124	SUPPRESSION NETWORK ASSEMBLY	1
	6332010	SUPPRESSION ASSEMBLY - 230V	
3	3151058	BALLAST ASSEMBLY - 14/20 WATT	1
	6332009	BALLAST ASSEMBLY - 18 WATT - 230V	
4	6332006	LIGHT BRACKET ASSEMBLY	1
5	6232068	BRACKET - LIGHT TUBE (STANDARD STYLING ONLY)	1
6	6339006	HARNESS - FLUORESCENT LIGHT	1
7	3632138	BRACKET - LIGHT TUBE (MILLENNIA ONLY)	1
8	2222535	FLUORESCENT LAMP - 19 WATT - 26"L	1
9	6232158	SAFETY SLEEVE - LAMP	1
10	6232159	END CAP - SLEEVE	2
11	2222095	FLUORESCENT LAMP STARTER	1

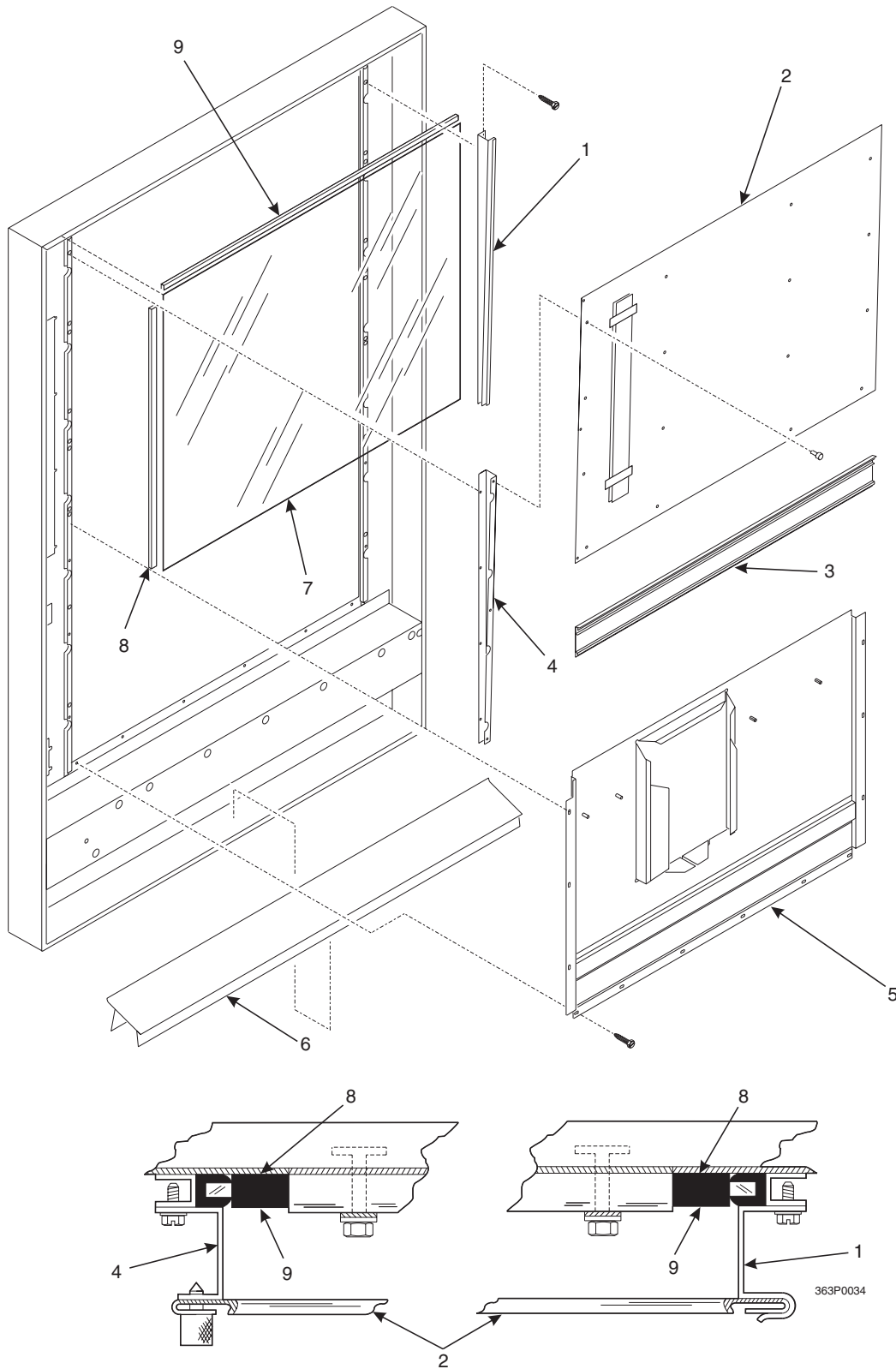
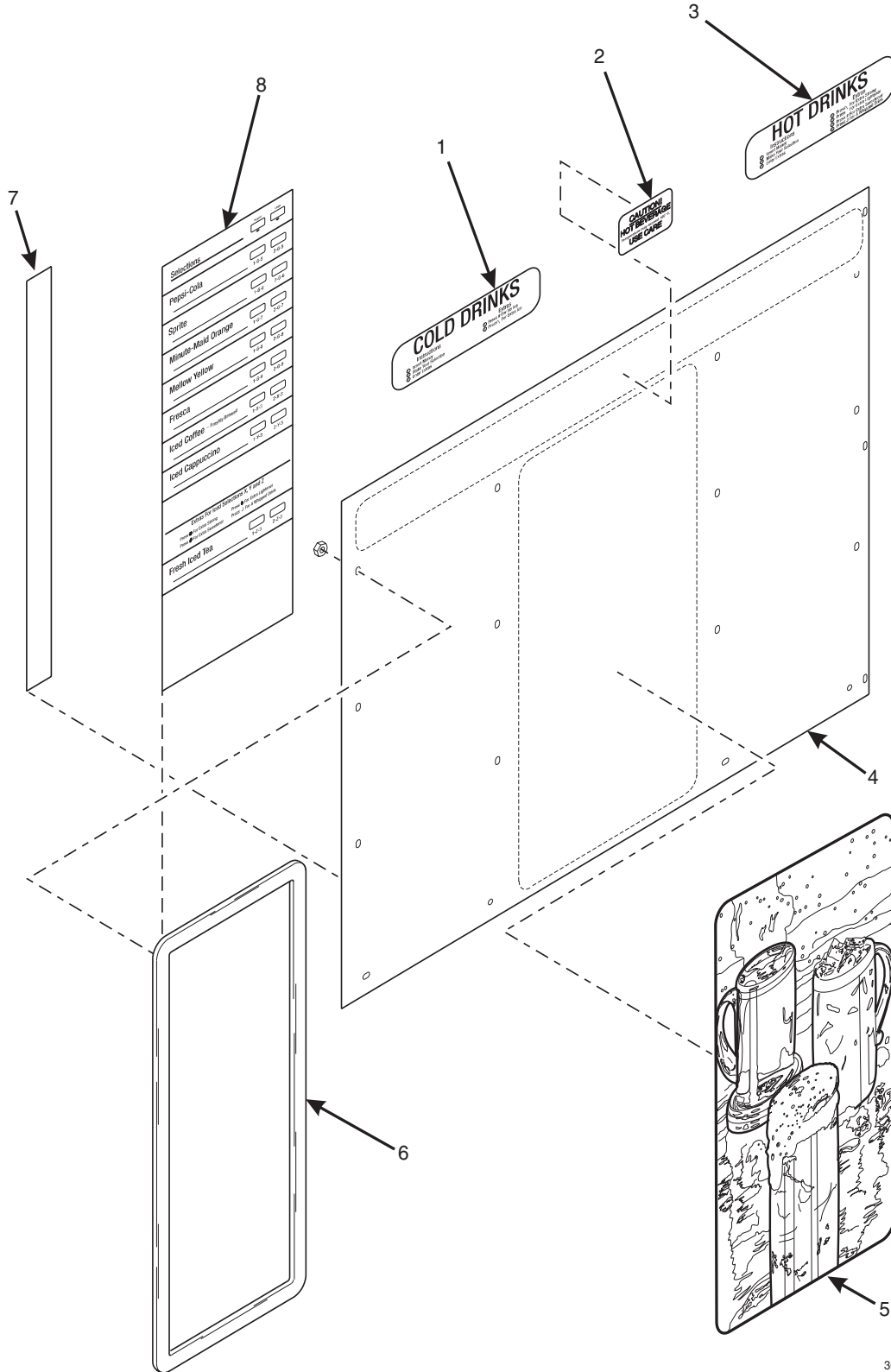


Figure 34. Display Assembly (Part 1 of 2)



TABLE 34. DISPLAY ASSEMBLY (PART 1 OF 2)

INDEX	PART NUMBER	DESCRIPTION	QTY.
1	6232043	MOUNT - DISPLAY-RIGHT	1
2	3632008	PANEL - DISPLAY - PRODUCT	1
3	3632007	TRIM - HORIZONTAL - GLASS	1
4	6232042	MOUNT - DISPLAY - LEFT	1
5	3632023	CENTER PLATE ASSEMBLY	1
6	1452151	FILLER STRIP - SANITATION	1
7	3632022	GLASS - DISPLAY	1
8	6232071	CHANNEL - GLASS - VERTICAL	2
9	6232070	CHANNEL - GLASS - HORIZONTAL	2



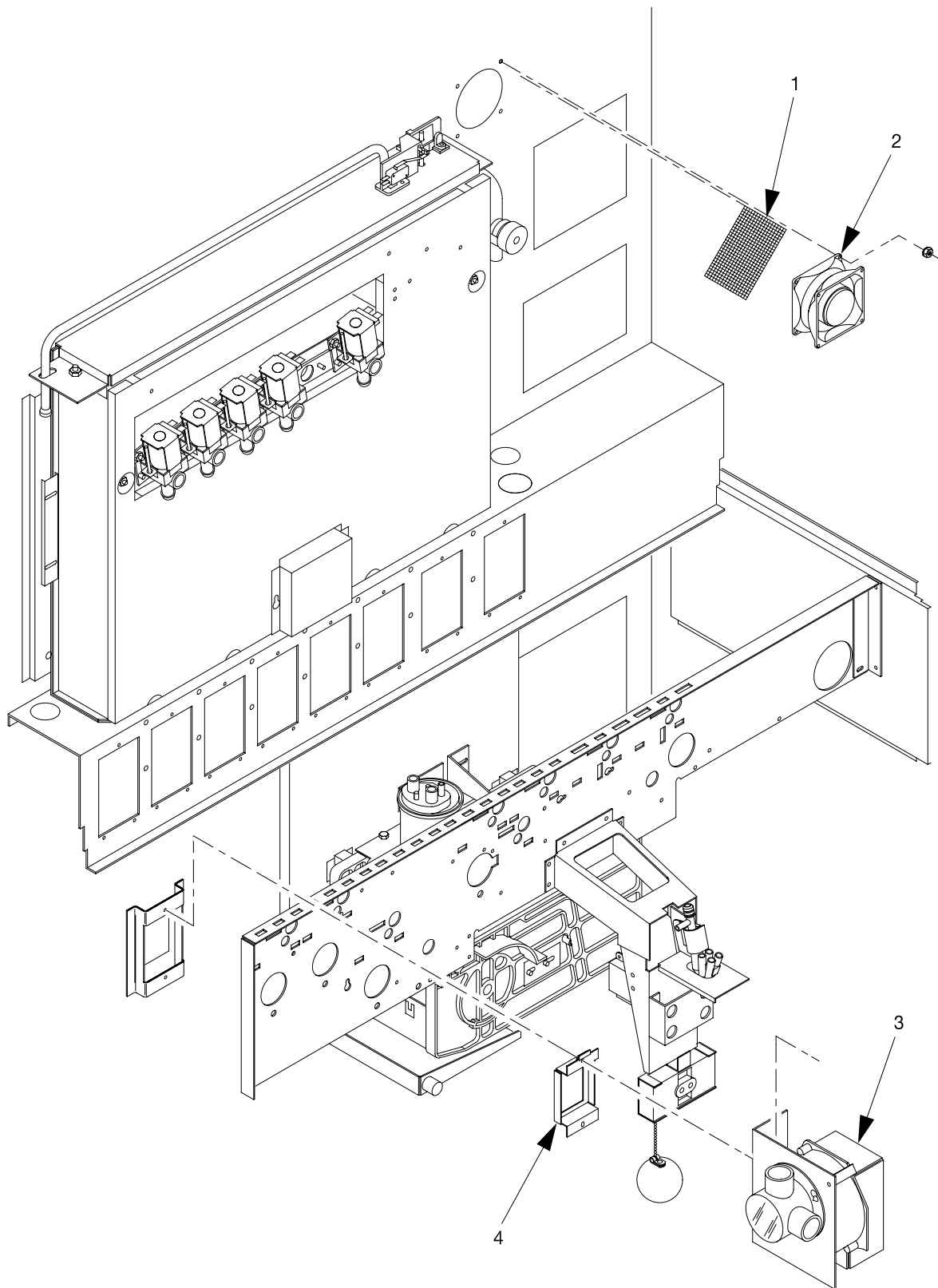
363P0031

Figure 35. Display Assembly (Part 2 of 2)



TABLE 35. DISPLAY ASSEMBLY (PART 2 OF 2)

INDEX	PART NUMBER	DESCRIPTION	QTY.
1	3632049	LABEL - INSTRUCTIONS - COLD DRINKS - ENGLISH	1
2	6272001	LABEL - CAUTION - HOT BEVERAGES	1
3	3632050	LABEL - INSTRUCTIONS - HOT DRINKS - ENGLISH	1
4	3632008	PANEL - DISPLAY - PRODUCT	1
5	3632264	DISPLAY - PHOTO - P.O.P.	1
6	6232044	FRAME - PRODUCT IDENTIFIER	2
7	6232219	FILLER - FRAME	2
8	-	MENU INSERTS (SEE BAG ASSEMBLY TABLES FOR DETAILS)	-



363p011c

Figure 36. Miscellaneous Mounted Parts - Cabinet (Part 1 of 6)

Twin Drink Center Parts Manual

TABLE 36. MISCELLANEOUS MOUNTED PARTS - CABINET (PART 1 OF 6)

INDEX	PART NUMBER	DESCRIPTION	QTY.
1	6231528	SCREEN - EXHAUST FAN	1
2	6231526	EXHAUST FAN	1
3	6331089	BRACKET, BLOWER & COVER ASSEMBLY (U.S.)	1
	6331090	BRACKET, BLOWER & COVER ASSEMBLY (INTERNATIONAL)	
4	1471055	BEZEL - EXHAUST FAN	1

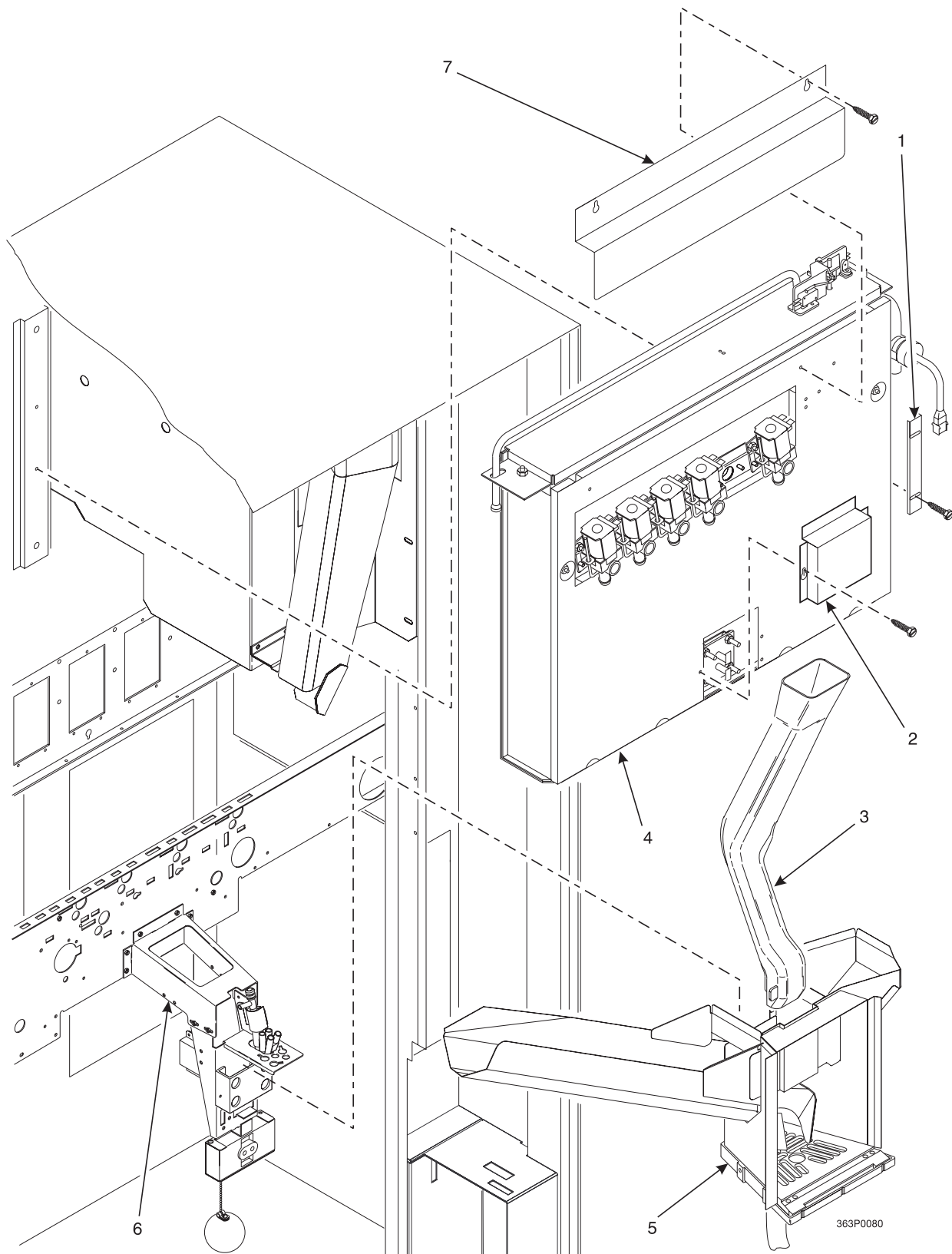
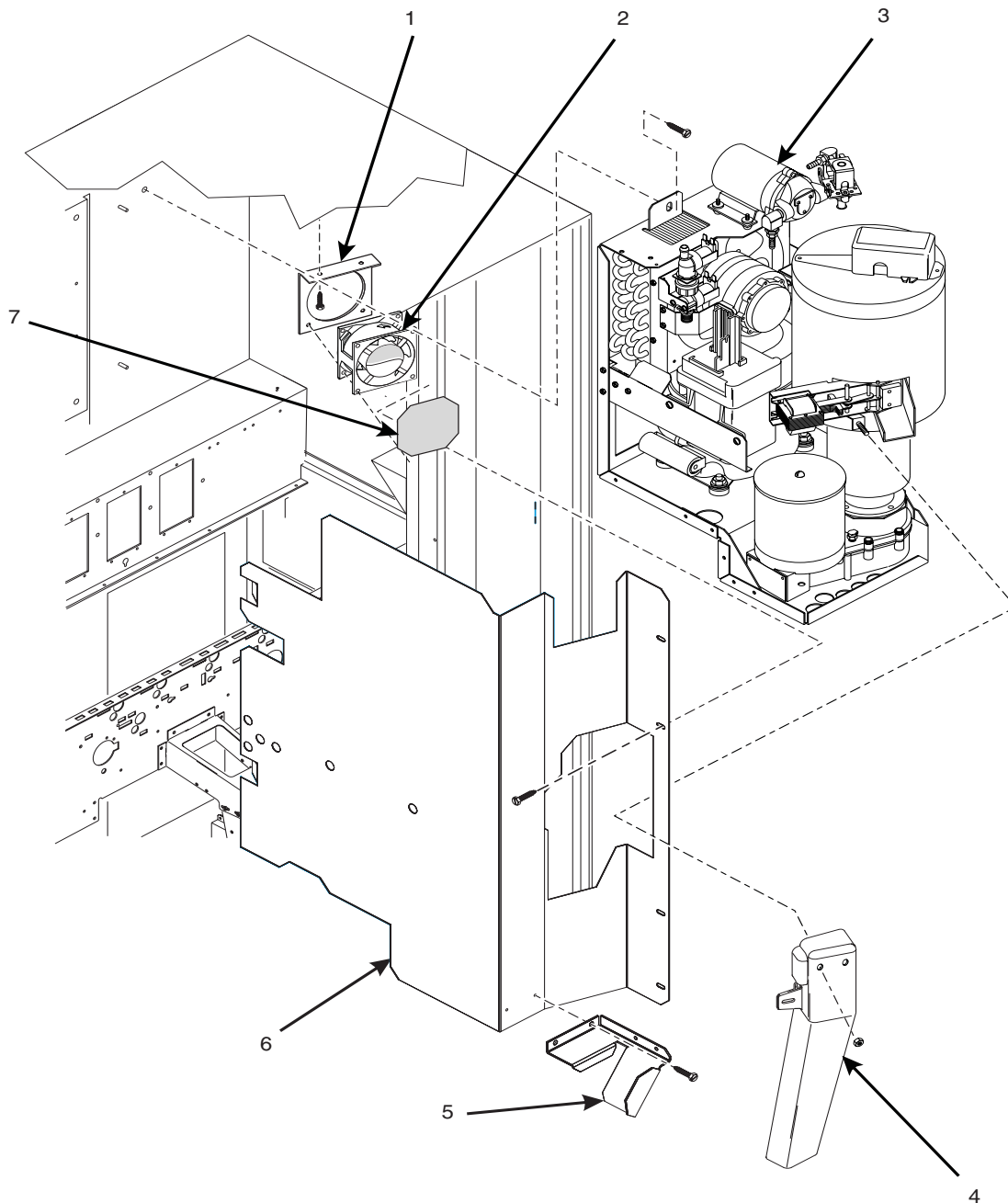


Figure 37. Miscellaneous Mounted Parts - Cabinet (Part 2 of 6)



TABLE 37. MISCELLANEOUS MOUNTED PARTS - CABINET (PART 2 OF 6)

INDEX	PART NUMBER	DESCRIPTION	QTY.
1	6231036	CLAMP-WATER TANK	-
2	6238104	COVER - HEATER - WATER TANK	-
3	3634042	ICE CHUTE - LOWER	-
4	6338044	WATER TANK ASSEMBLY (SEE FIGURE 43 FOR DETAILS)	-
5	3631130	CUP DELIVERY ASSEMBLY (SEE FIGURE 47 FOR DETAILS)	-
6	-	CUP STATION SUPPORT ASSEMBLY (SEE FIGURE 48 FOR DETAILS)	-
7	6238105	COVER - HOT WATER VALVES (U.S.)	-
	6338032	COVER - HOT WATER VALVES (INTERNATIONAL)	



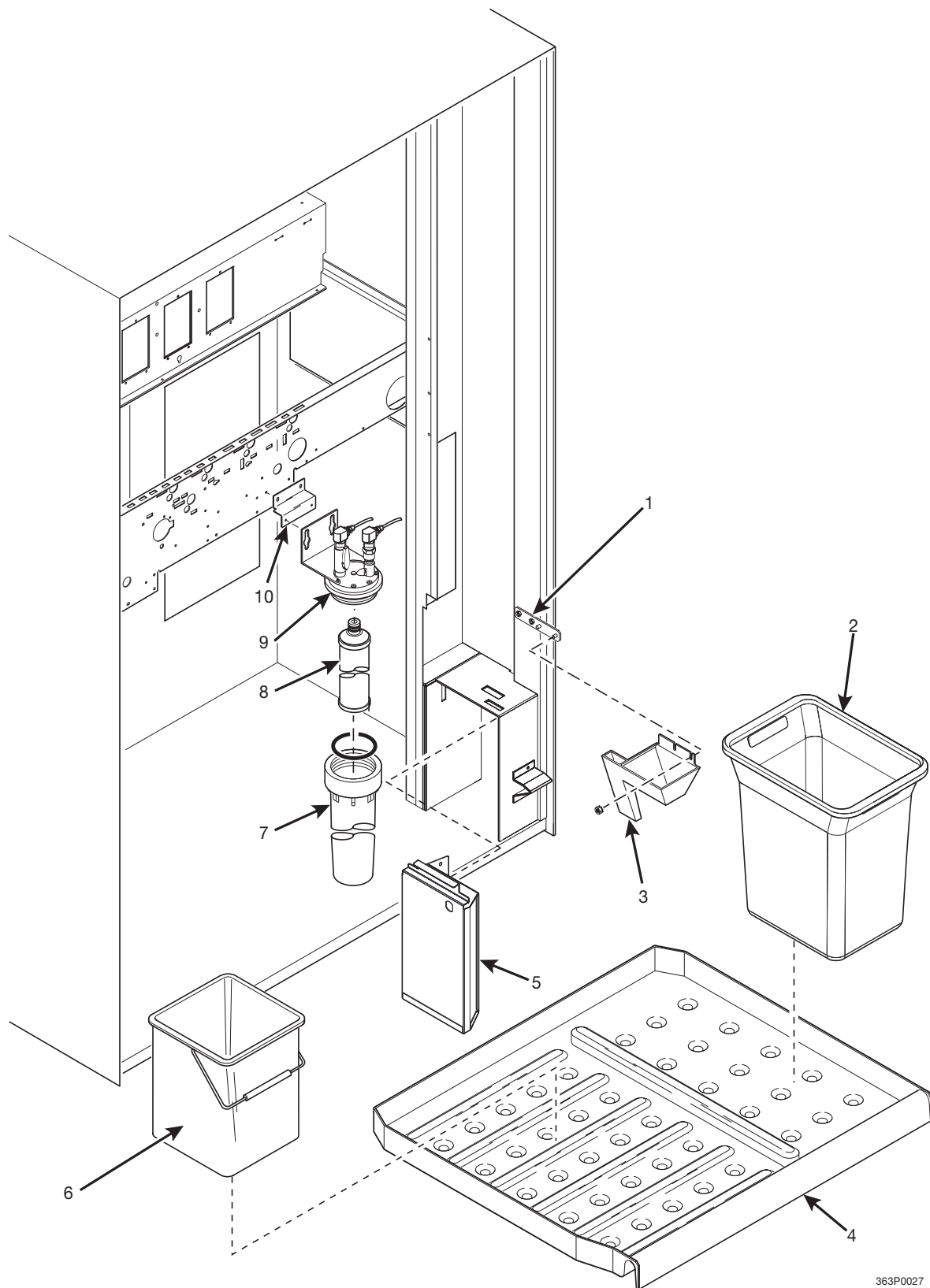
363P0081

Figure 38. Miscellaneous Mounted Parts - Cabinet (Part 3 of 6)



TABLE 38. MISCELLANEOUS MOUNTED PARTS - CABINET (PART 3 OF 6)

INDEX	PART NUMBER	DESCRIPTION	QTY.
1	3634172	BRACKET - EXHAUST FAN - ICE HOPPER	-
2	6231526	EXHAUST FAN	-
3	3634160	ICEMAKER - FINAL ASSEMBLY - COOL SAN (SEE FIGURE 49 FOR DETAILS)	-
4	3631151	ICE CHUTE - UPPER	-
5	3634170	SUPPORT - ICE CHUTE	-
6	3634151	COVER - ICEMAKER	-
7	3634171	SCREEN - EXHAUST FAN - ICE HOPPER	-



363P0027

Figure 39. Miscellaneous Mounted Parts - Cabinet (Part 4 of 6)



TABLE 39. MISCELLANEOUS MOUNTED PARTS - CABINET (PART 4 OF 6)

INDEX	PART NUMBER	DESCRIPTION	QTY.
1	3631036	BRACKET -COIN CHUTE	1
2	3631172	BUCKET - GROUNDS	1
3	6231242	CHUTE - PAYOUT	1
4	3631051	LINER - FLOOR	1
5	3631160	MONEY BOX ASSEMBLY	1
6	4751162	PAIL - 8.5" SQUARE X 13.0"	1
7	6408028	HOUSING, CARTRIDGE, "O" RING - HLV192H HYDRO LIFE #G6721	1
8	6408027	CARTRIDGE - FILTER - HLV192H "A" HYDRO LIFE #G6446	1
-	1470761	MONEY BOX LOCK OPTION (NOT SHOWN) INCLUDES THE FOLLOWING 4 ITEMS:	OPT.
-	1101906	MONEY BOX LOCK - CHICAGO LOCK #18	1
-	2221920	KEY - CHICAGO LOCK #1801 NV407	1
-	2222603	NUT - LOCK RETAINING	1
-	2222604	WASHER - LOCK BARREL - #2693	1
9	-	WATER SUPPLY - WITH HYDROLIFE WATER FILTER OPTION (SEE FIGURE 99 FOR DETAILS)	-
10	3634168	BRACKET - MOUNTING - WATER FILTER	1

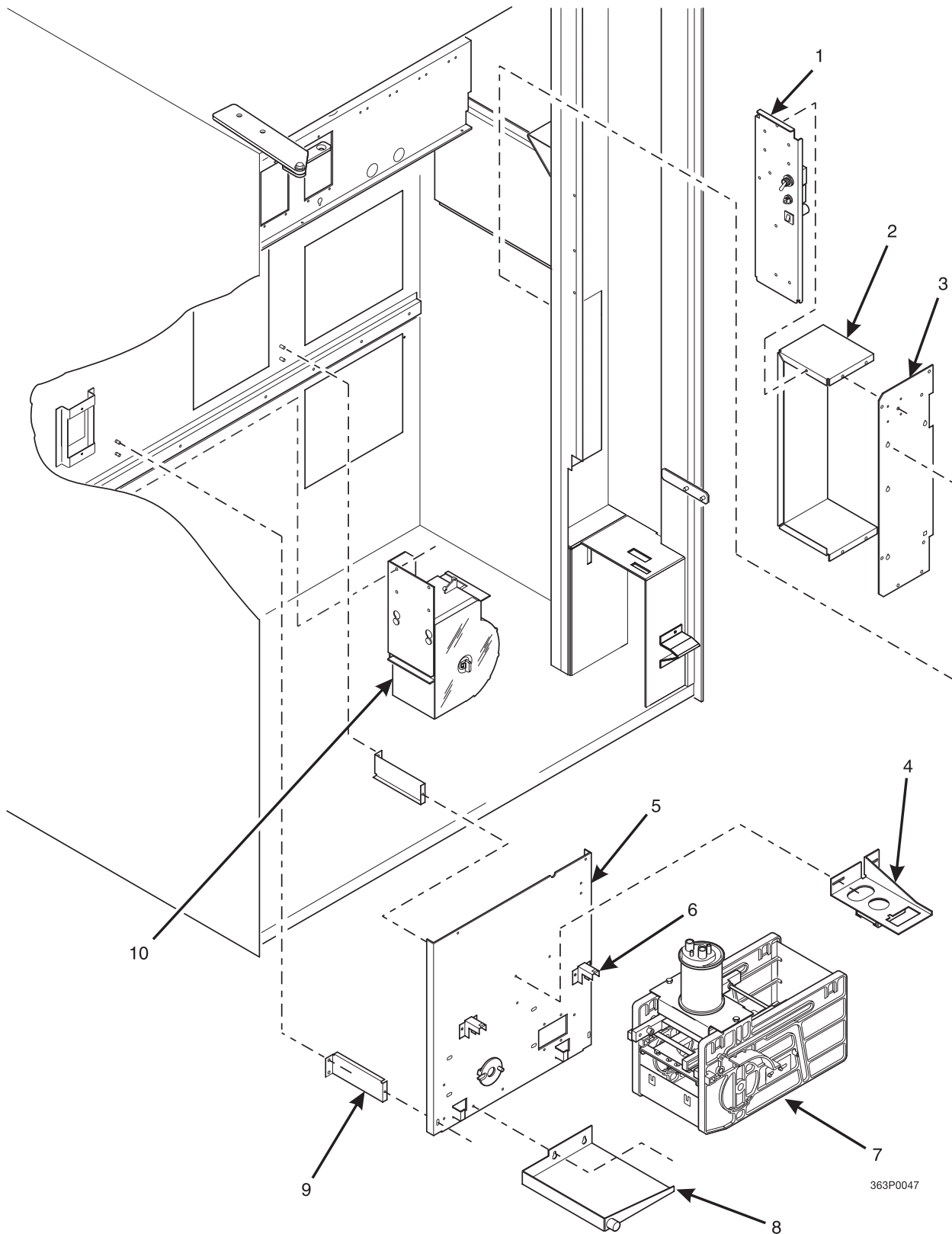


Figure 40. Miscellaneous Mounted Parts - Cabinet (Part 5 of 6)



TABLE 40. MISCELLANEOUS MOUNTED PARTS - CABINET (PART 5 OF 6)

INDEX	PART NUMBER	DESCRIPTION	QTY.
1	3631079	POWER PANEL ASSEMBLY (U.S.)	1
	1571083	POWER PANEL ASSEMBLY (U.K.)	
	1571084	POWER PANEL ASSEMBLY (FRANCE/GERMANY)	
2	3631116	HOUSING - POWER PANEL	1
3	3631019	PLATE - POWER PANEL	1
4	6237352	LOCATOR & BRACKET ASSEMBLY	1
5	6334005	BREWER DRIVE ASSEMBLY (U.S.)	1
	6334002	BREWER DRIVE ASSEMBLY (INTERNATIONAL)	
6	6234294	MOUNTING BRACKET - BREWER	1
7	6234000	SINGLE BREWER ASSEMBLY WITH FILTER	1
8	3634011	DRAIN PAN ASSEMBLY - BREWER	1
9	6234516	BRACKET - MOUNTING PLATE	1
10	-	FILTER PAPER CANISTER (SEE FIGURE 67 FOR DETAILS)	OPT.

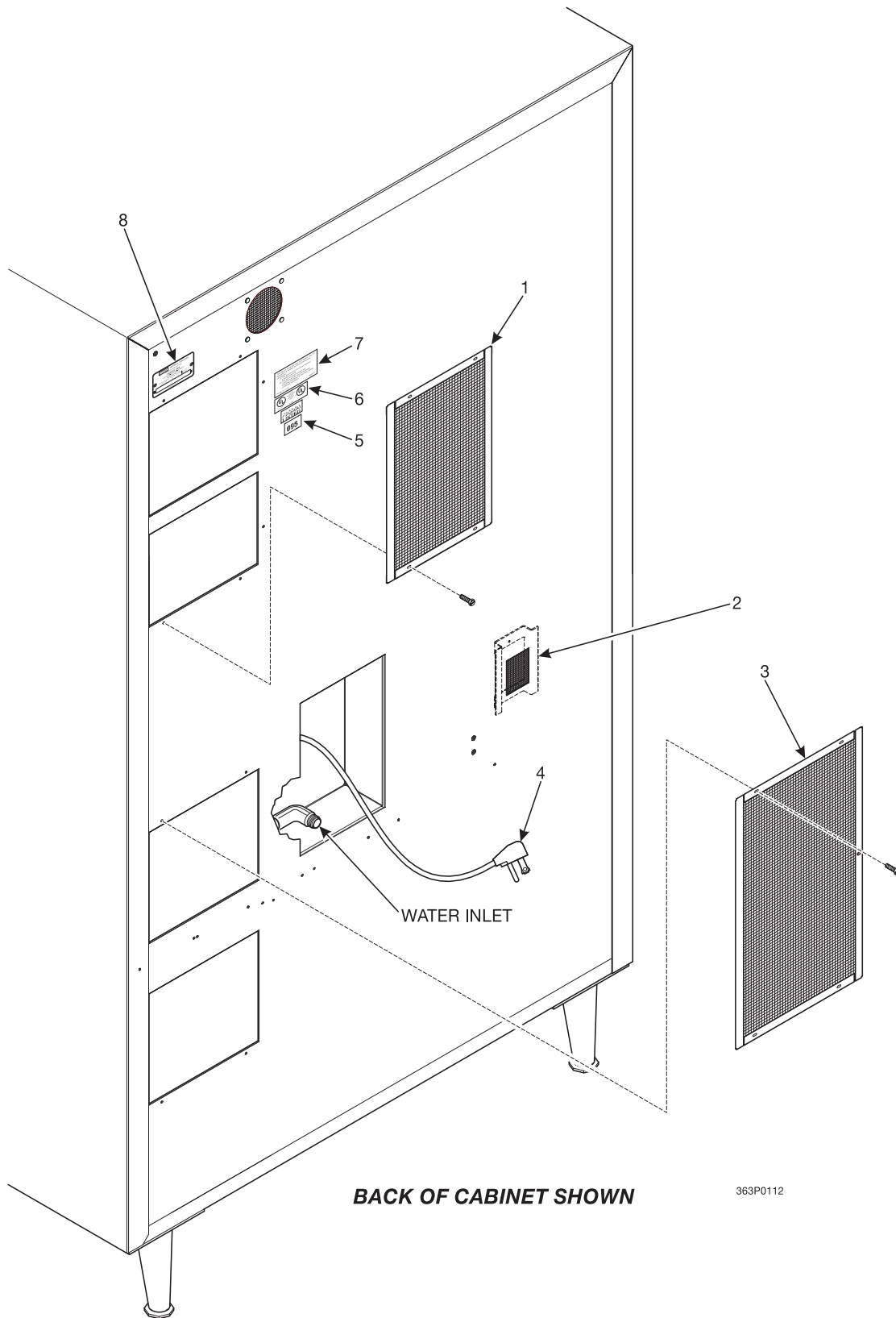


Figure 41. Miscellaneous Mounted Parts - Cabinet (Part 6 of 6)



TABLE 41. MISCELLANEOUS MOUNTED PARTS - CABINET (PART 6 OF 6)

INDEX	PART NUMBER	DESCRIPTION	QTY.
1	3631147	SCREEN ASSEMBLY	1
2	1471054	BRACKET AND SCREEN ASSEMBLY - EXHAUST	1
3	3631028	SCREEN ASSEMBLY	1
4	6231098	POWER CORD ASSEMBLY - DOMESTIC	1
5	9989682	LABEL - DATE CODE	1
6	4111093	LABEL - U.L. AND U.L. CANADA	1
7	5580121	LABEL - FCC APPROVAL	1
8	3641001	TAG - ELECTRICAL RATING - 115V	1

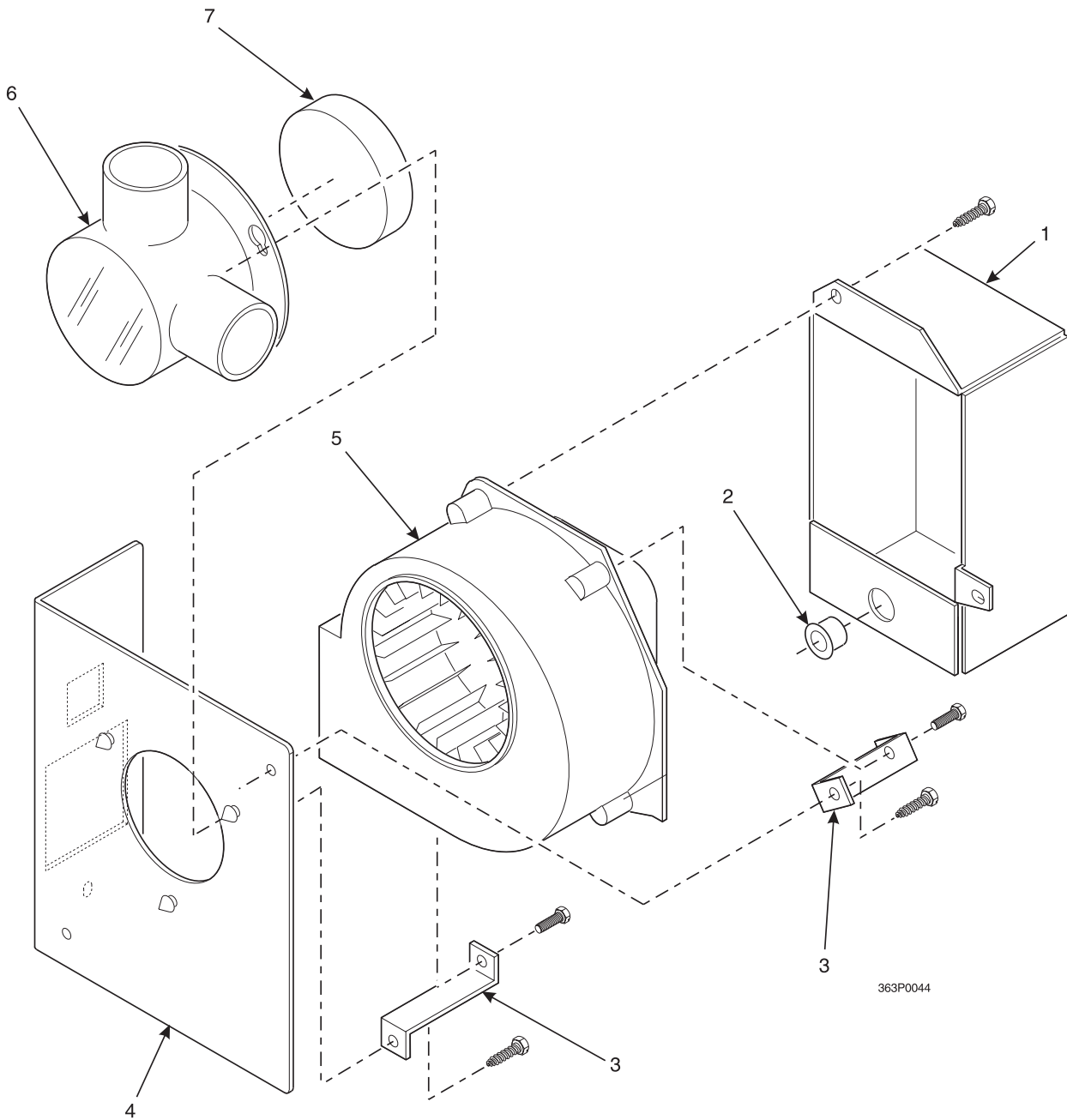


Figure 42. Bracket, Blower, and Cover Assembly

TABLE 42. BRACKET, BLOWER, AND COVER ASSEMBLY

INDEX	PART NUMBER	DESCRIPTION	QTY.
-	6331089	BRACKET, BLOWER & COVER ASSEMBLY (U.S.)	1
	6331090	BRACKET, BLOWER & COVER ASSEMBLY - 230 VOLTS (AUS./BRZ./FR./GER./L.A./N.Z./SP./SW./U.K.)	
1	6231074	GUARD - BLOWER MOTOR	1
2	3502097	BUSHING #OCB-500	2
3	6231553	TIE DOWN - BLOWER ASSEMBLY	1
4	6231550	BRACKET ASSEMBLY - BLOWER MOUNTING	1
5	6231548	BLOWER ASSEMBLY - 120V (U.S.)	1
	6401088	BLOWER ASSEMBLY - 230V (AUS./BRZ./FR./GER./L.A./N.Z./SP./SW./U.K.)	
6	6237342	HOUSING - EXHAUST BLOWER	1
7	6237340	FILTER - EXHAUST BLOWER	1

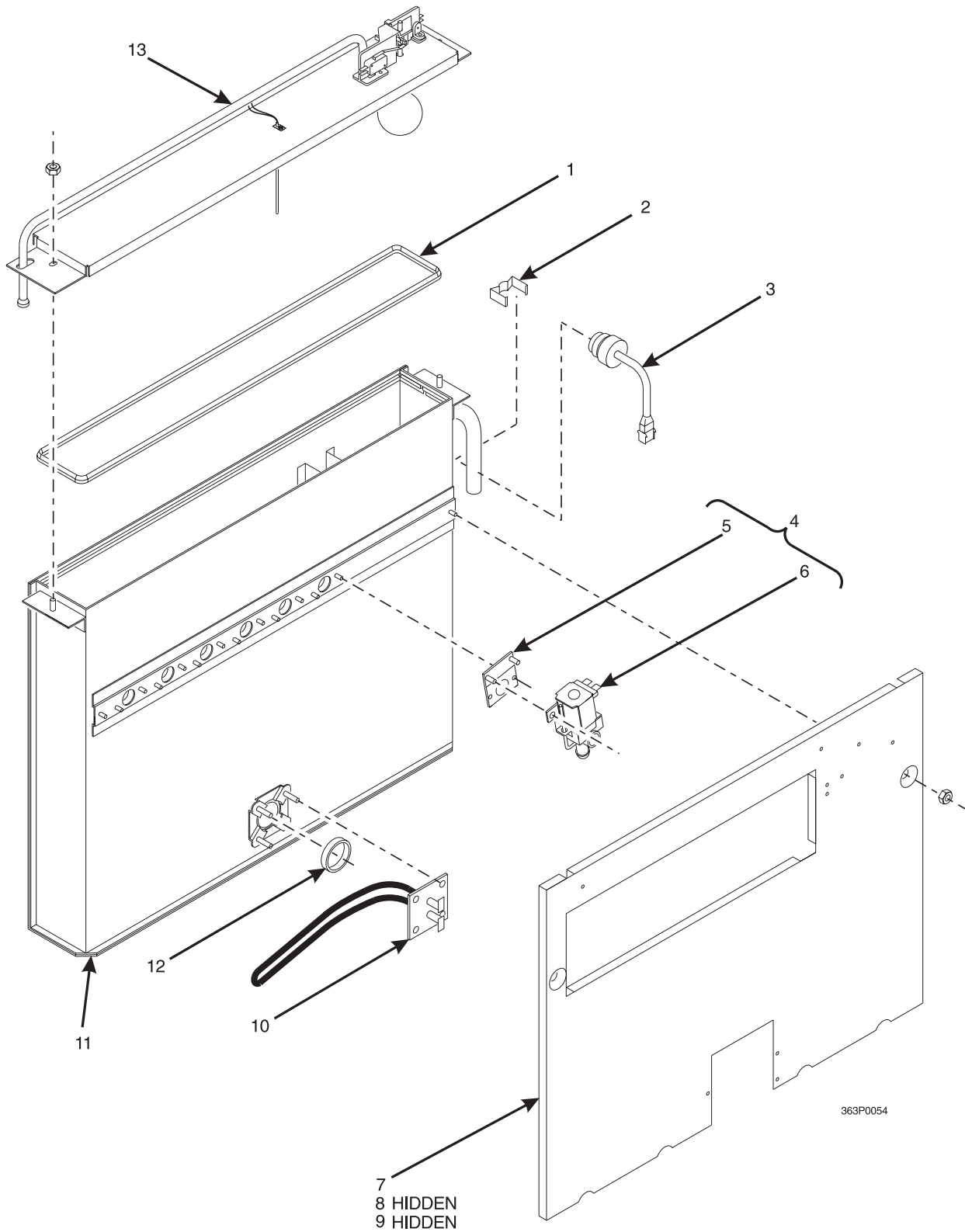
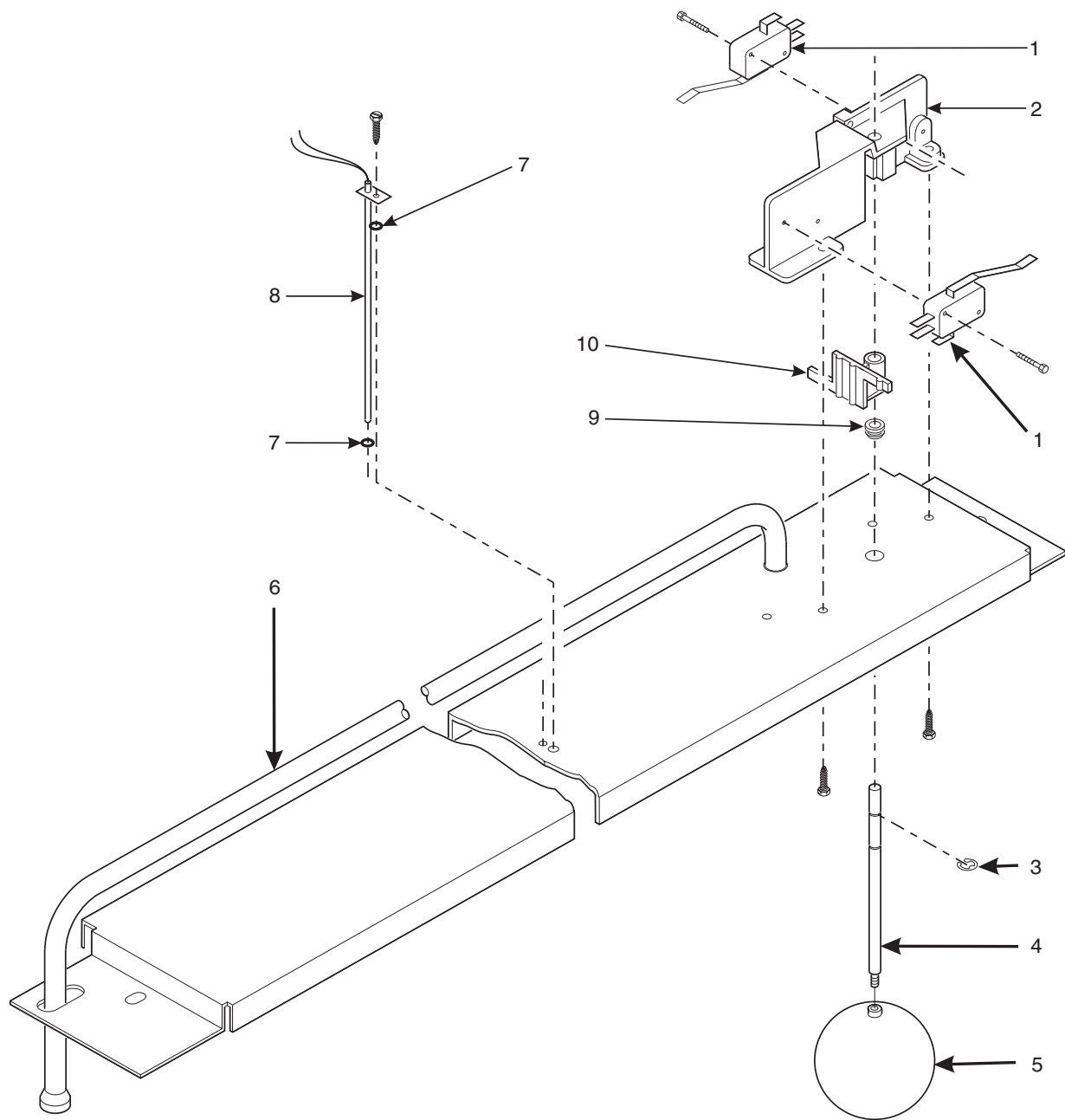


Figure 43. Hot Water Tank Assembly



TABLE 43. HOT WATER TANK ASSEMBLY

INDEX	PART NUMBER	DESCRIPTION	QTY.
-	6338044	WATER TANK ASSEMBLY - BASIC - DOM	-
1	6238026	GASKET - VULCANIZED - WATER TANK	1
2	6338002	CLAMP - THERMOSTAT - 5/8 O.D.	1
3	6338003	THERMOSTAT ASSEMBLY - AUTO RESET	1
4	6238112	VALVE ASSEMBLY - H.W.T. - 115V (INCLUDES THE FOLLOWING 5 ITEMS)	3
5	6238113	VALVE - MOUNTING PLATE & STUD ASSEMBLY	1
6	6338053	VALVE - 120V - HWT	1
-	6118106	TUBING - PLASTIC 1/4 OD X 1/8 ID (NOT SHOWN)	3
-	6238074	"O"RING - .48 ID X .10 (NOT SHOWN)	1
-	9900081	NUT - #8-32 KEPS ZINC PLATE (NOT SHOWN)	1
7	6238075	COVER - FRONT-WATER TANK	1
8	6238137	INSULATION - TOP - HOT WATER TANK (NOT SHOWN)	1
9	6238136	INSULATION - BOTTOM - HOT WATER TANK (NOT SHOWN)	1
10	6338041	HEATER - 1250W - 120V	1
11	6338007	WELD ASSEMBLY - WATER TANK	1
12	6238042	GASKET - HEATER	1
13	6338046	LID ASSEMBLY - FINAL - H.W.T.	1



363P0055

Figure 44. Water Tank Lid Assembly



TABLE 44. WATER TANK LID ASSEMBLY

INDEX	PART NUMBER	DESCRIPTION	QTY.
-	6338046	LID ASSEMBLY - FINAL - H.W.T.	-
1	6238084	SWITCH - LEVER - 10 GRAM	2
2	6238068	BRACKET - MOUNTING - SWITCH	1
3	6124073	RETAINING RING REINF E TYP.156	1
4	6338049	SHAFT - FLOAT	1
5	6508033	FLOAT - WATER TANK	1
6	6338047	WELD ASSEMBLY - COVER - LG. INLET - W.T.	1
7	6138287	O RING	2
8	6338051	SENSOR - TEMPERATURE - H.W.T.	1
9	6338050	BEARING - LID - HOT WATER TANK	1
10	6138183	ACTUATOR - SWITCH	1

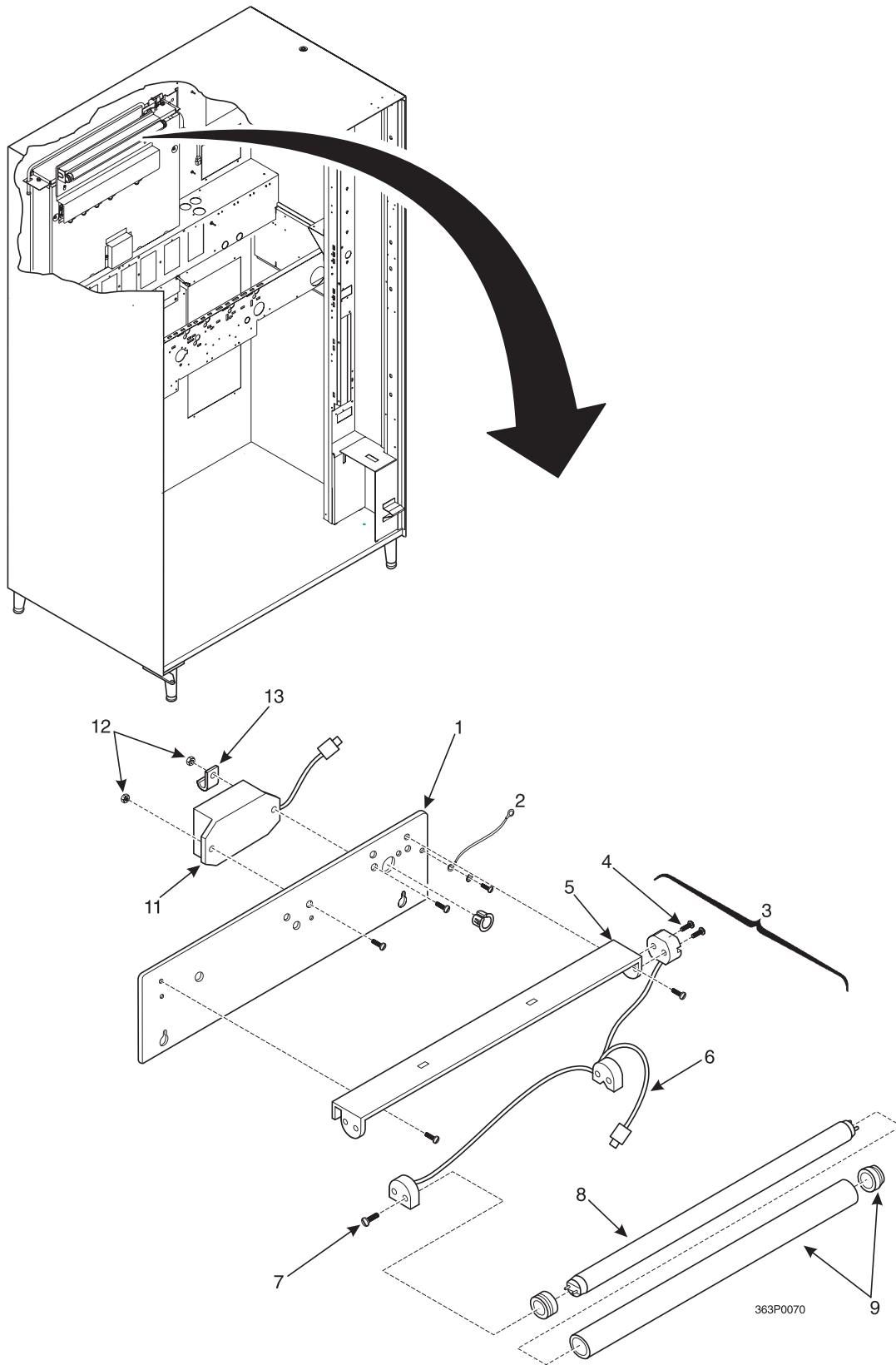


Figure 45. Service Light/Bracket Assembly



TABLE 45. SERVICE LIGHT/BRACKET ASSEMBLY

INDEX	PART NUMBER	DESCRIPTION	QTY.
-	6231372	SERVICE LIGHT/BRACKET ASSEMBLY - U.S.	1
1	6231559	BRACKET - SERVICE LIGHT	1
2	9984165	JUMPER - GROUND WIRE	1
3	6231232	LIGHT ASSEMBLY - FLUORESCENT (INCLUDES INDEX NUMBERS 4 - 7)	1
4	3107171	SCREW - #4-36 X 5/8 RHS	2
5	2272036	BRACKET - LOWER LIGHT	1
6	2346016	HARNESS - FLUORESCENT LIGHT	1
7	1452076	SCREW-#4-36 X .437 RHS	2
8	2222096	FLUORESCENT LAMP	1
9	6232305	LAMP SLEEVE & MALE END CAP ASSEMBLY	1
10	3106154	BUSHING #SB875-11	1
11	3151058	BALLAST ASSEMBLY - 14/20 WATT	1
12	9900081	NUT #8-32 KEPS ZINC PLATE	1
13	1452139	RETAINER HARNESS	1
-	1170206	SCREW #8-32X3/8 THS BLACK (NOT SHOWN)	-
-	1451124	SUPPRESSION NETWORK ASSEMBLY (NOT SHOWN)	1
-	3157060	SCREW-#8-32 X .31 HEX W/ HD. (NOT SHOWN)	3
-	3157068	SCREW-#8-32 X.31 HXHD T/F 3/ (NOT SHOWN)	1
-	4305043	HARNESS CLIP-1.00 (NOT SHOWN)	1

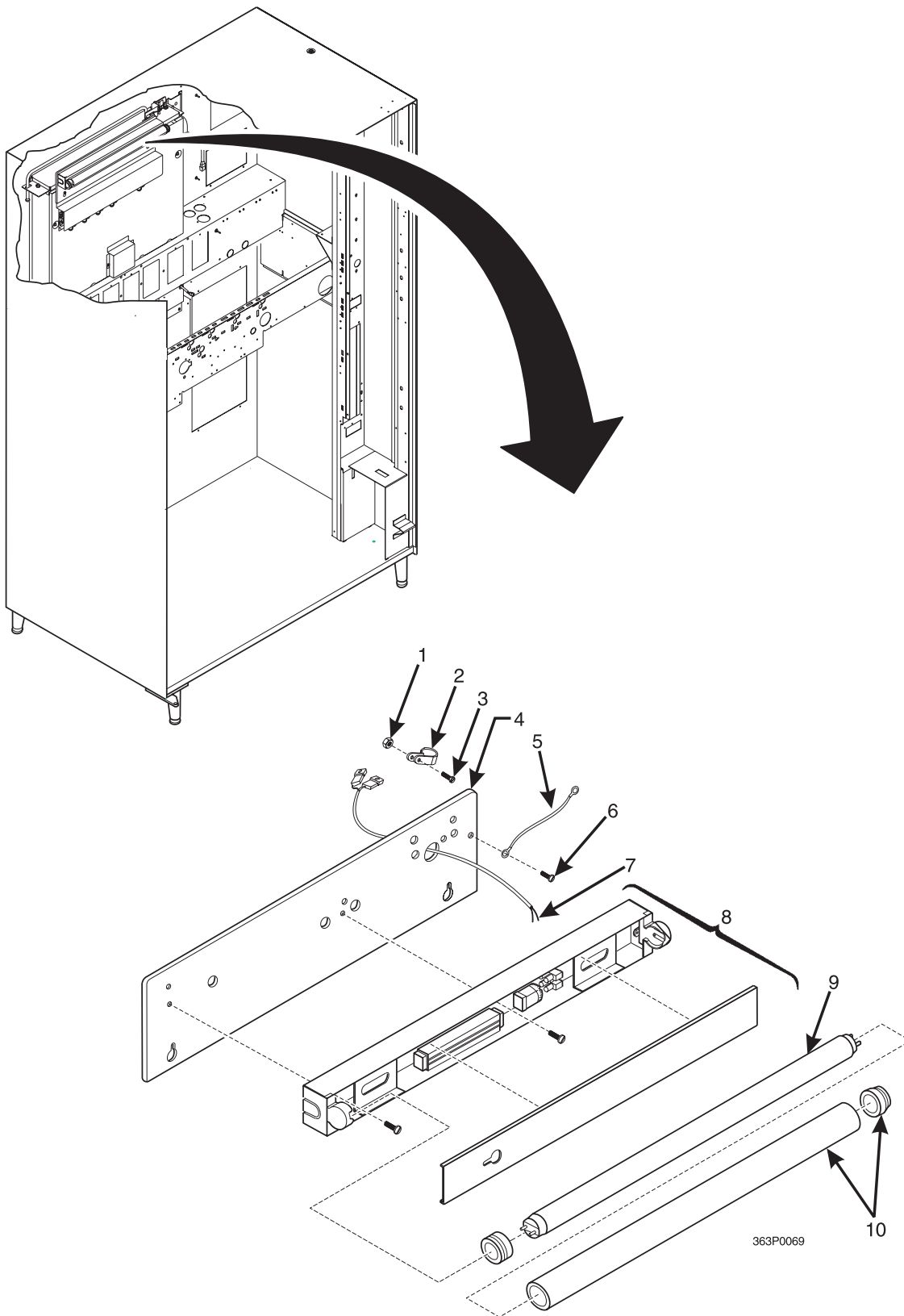
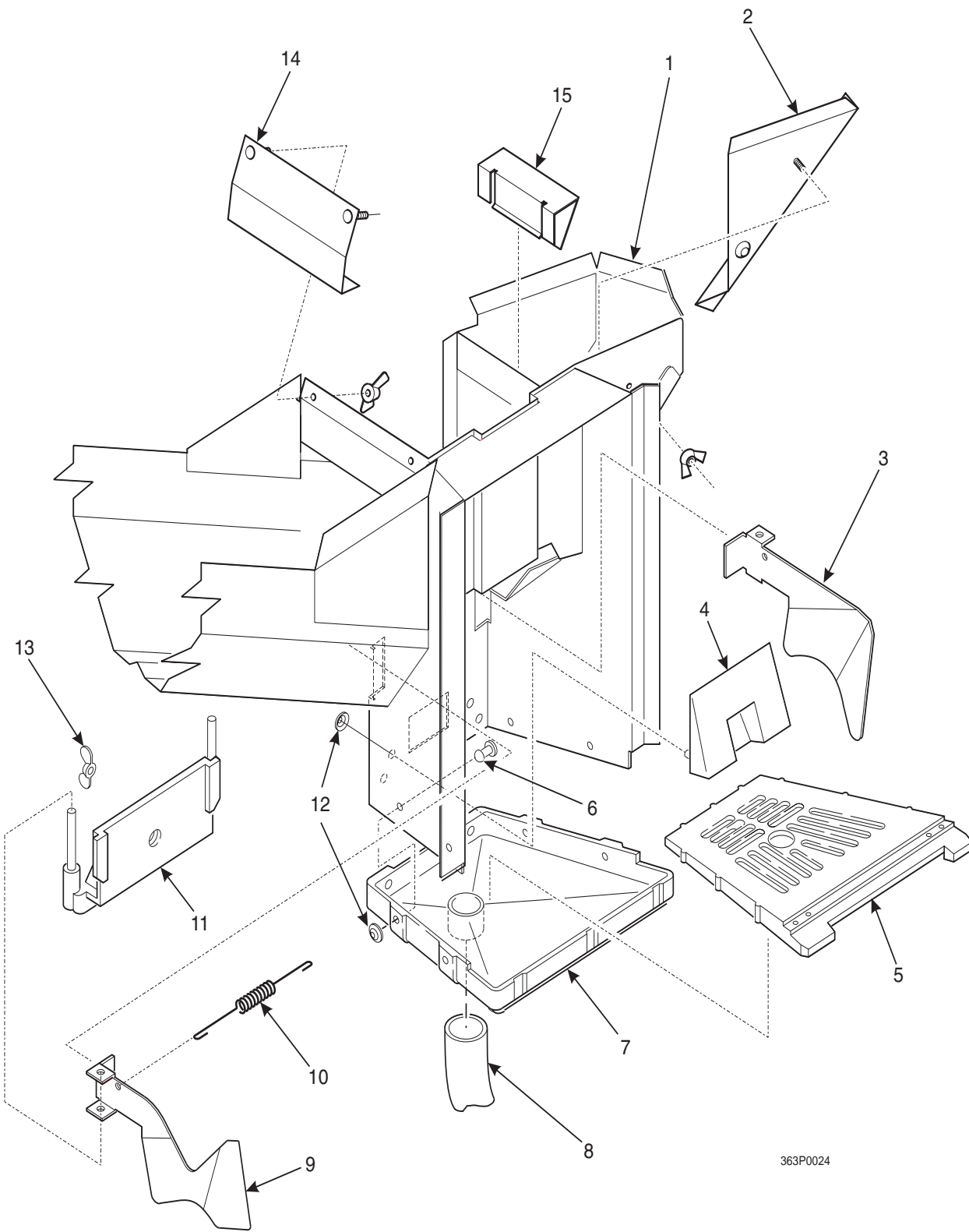


Figure 46. Service Light/Bracket Assembly - 230 Volts



TABLE 46. SERVICE LIGHT/BRACKET ASSEMBLY - 230 VOLTS

INDEX	PART NUMBER	DESCRIPTION	QTY.
-	6239053	SERVICE LIGHT/BRACKET ASSEMBLY - U.S.	1
1	9900081	NUT #8-32 KEPS ZINC PLATE	1
2	1211161	CABLE CLAMP - RICHCO#N4	1
3	9900118	SCREW #8-32 X 3/8 PHS	1
4	6231559	BRACKET - SERVICE LIGHT	1
5	9984165	JUMPER - GROUND WIRE	1
6	3157060	SCREW - #8-32 X .31 HEX W/ HD.	3
7	6239009	JUMPER - SERVICE LIGHT	1
8	6239053	LIGHT ASSEMBLY - FLUORESCENT - 230V	1
9	2222096	FLUORESCENT LAMP	1
10	6232305	LAMP SLEEVE AND END CAPS ASSEMBLY	1



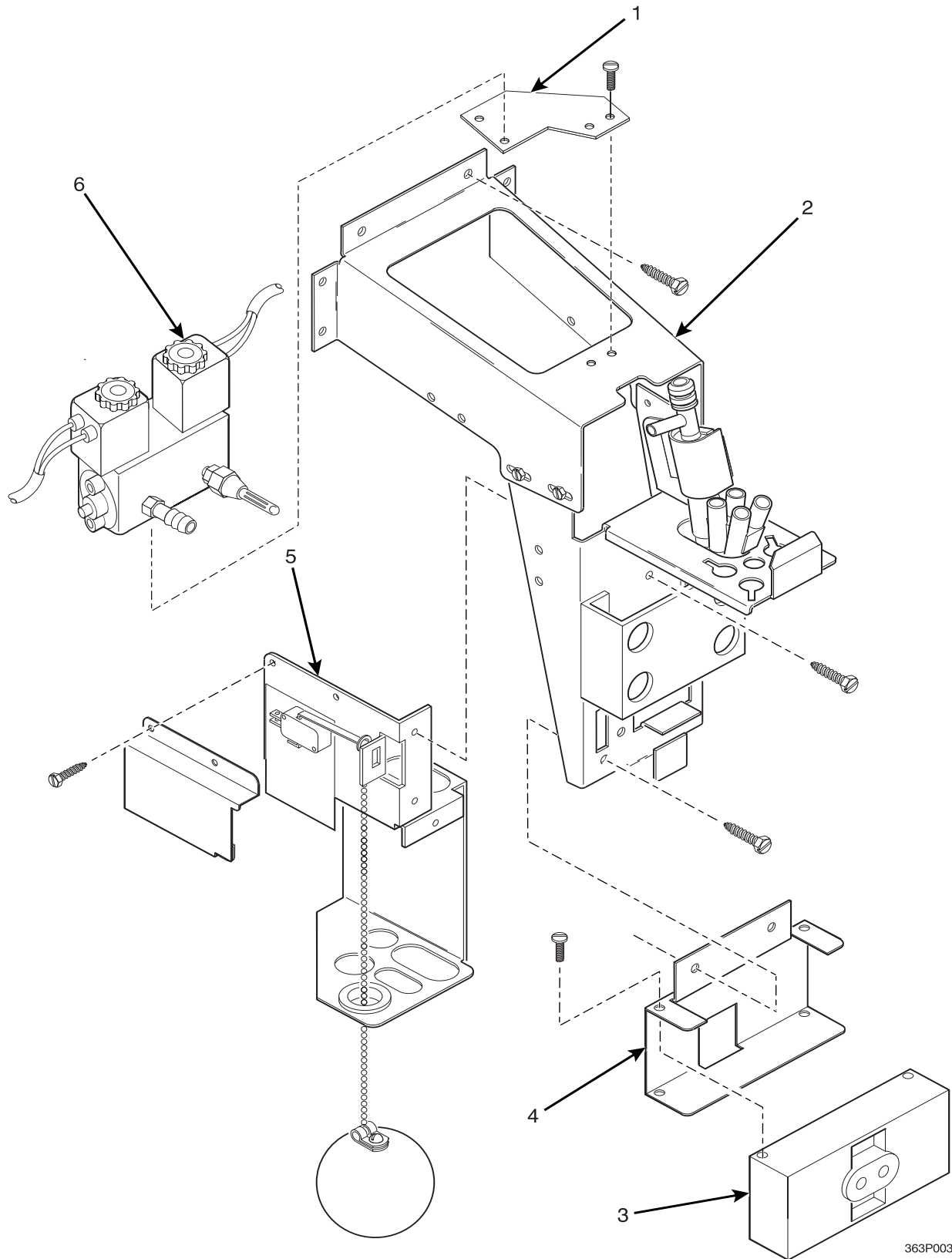
363P0024

Figure 47. Cup Delivery Assembly



TABLE 47. CUP DELIVERY ASSEMBLY

INDEX	PART NUMBER	DESCRIPTION	QTY.
-	3631130	CUP DELIVERY ASSEMBLY	1
1	3631128	WELD ASSEMBLY - CUP DELIVERY	1
2	6231413	CHUTE ADAPTER ASSEMBLY - RH - INTERNATIONAL	1
3	3631071	CUP DEFLECTOR - RIGHT	1
4	6231443	CUP SPACER/SENSOR LENS	1
5	6231432	DRAIN TRAY - CUP DELIVERY COMP.	1
6	6231492	PUSH - IN FASTENER - CUP DELIVERY	6
7	6231489	BASE - CUP DELIVERY STATION	1
8	6231430	TUBE - DRAIN	1
9	3631070	CUP DEFLECTOR - L.H.	1
10	6231495	SPRING - CUP DEFLECTOR	1
11	6231488	MOUNTING ASSEMBLY - CUP DEFLECTOR	1
12	6231431	RETAINER - .188 - CUP DELIVERY	10
13	3103133	WING NUT #8-32 STAINLESS	1
14	3631176	DEFLECTOR - ADAPTER - LH - 5/12 OZ	1
15	3631175	DEFLECTOR - ADAPTER - RH - 5/8 OZ	1



363P0032

Figure 48. Cup Station Support, Overflow Switch, and Cup Sensor



TABLE 48. CUP STATION SUPPORT, OVERFLOW SWITCH, AND CUP SENSOR

INDEX	PART NUMBER	DESCRIPTION	QTY.
1	3631166	BRACKET - VALVE MOUNTING	
2	-	CUP STATION SUPPORT ASSEMBLY (SEE FIGURE 49 FOR DETAILS)	1
3	6231537	SENSOR ASSEMBLY - MUG	1
4	6231539	BRACKET - CUP SENSOR	1
5	3631076	OVERFLOW SWITCH ASSEMBLY (SEE FIGURE 50 FOR DETAILS)	1
6	3638088	VALVE ASSEMBLY - DUAL SOLENOID	1

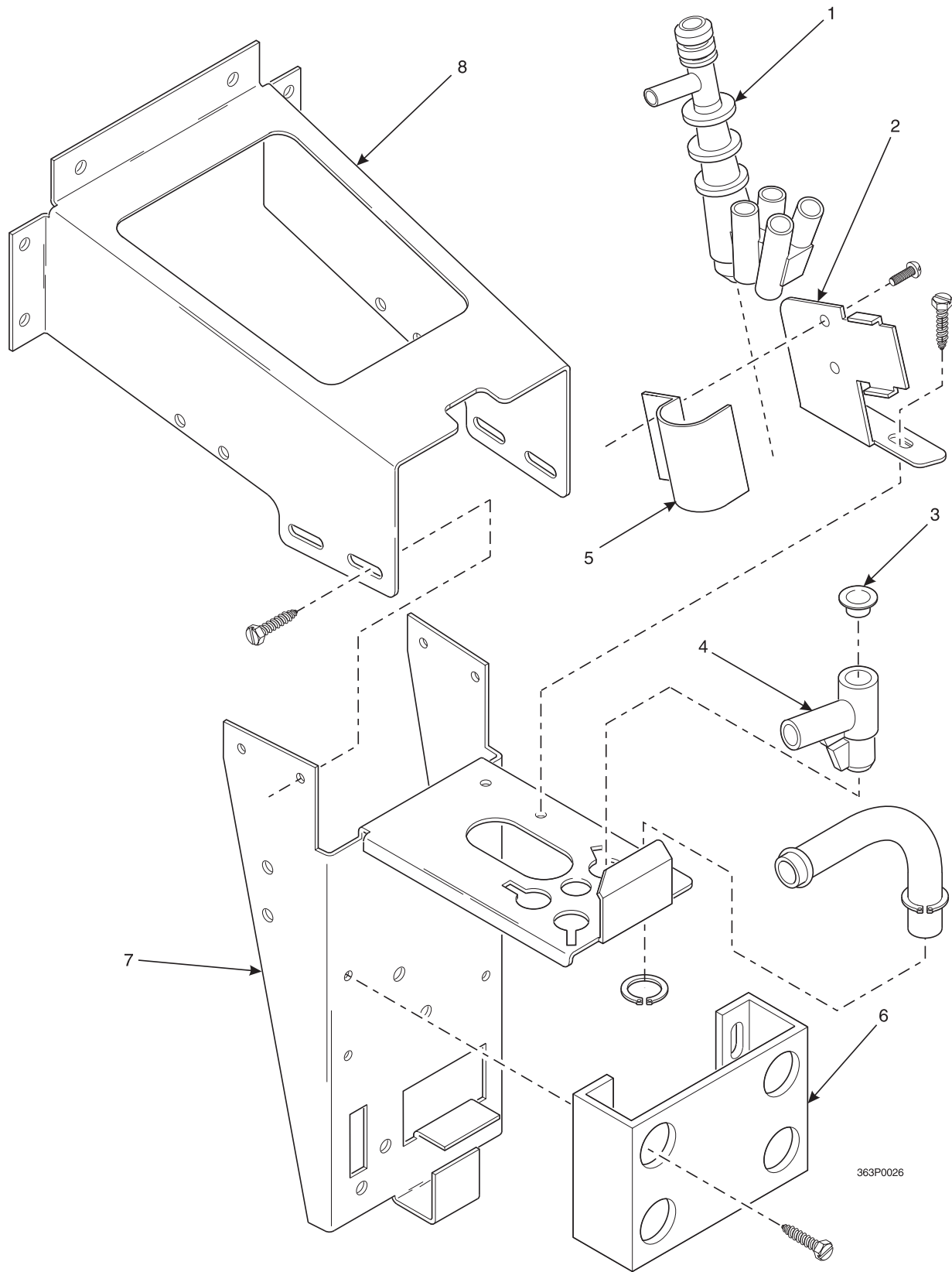


Figure 49. Support Assembly - Cup Station



TABLE 49. SUPPORT ASSEMBLY - CUP STATION

INDEX	PART NUMBER	DESCRIPTION	QTY.
1	3638070	HOLDER/SPOUT & "O" RING ASSEMBLY	1
2	3631061	BRACKET - NOZZLE - COLD DRINK	1
3	4711020	CAPLUG - SPOUT - NATURAL	1
4	6117010	SPOUT - DISPENSING	1
5	3617008	CLAMP - NOZZLE	1
6	3631060	RETAINER - CUP - STATION	1
7	3631127	SUPPORT - CUP STATION	1
8	3631119	SUPPORT - CUP STATION	1

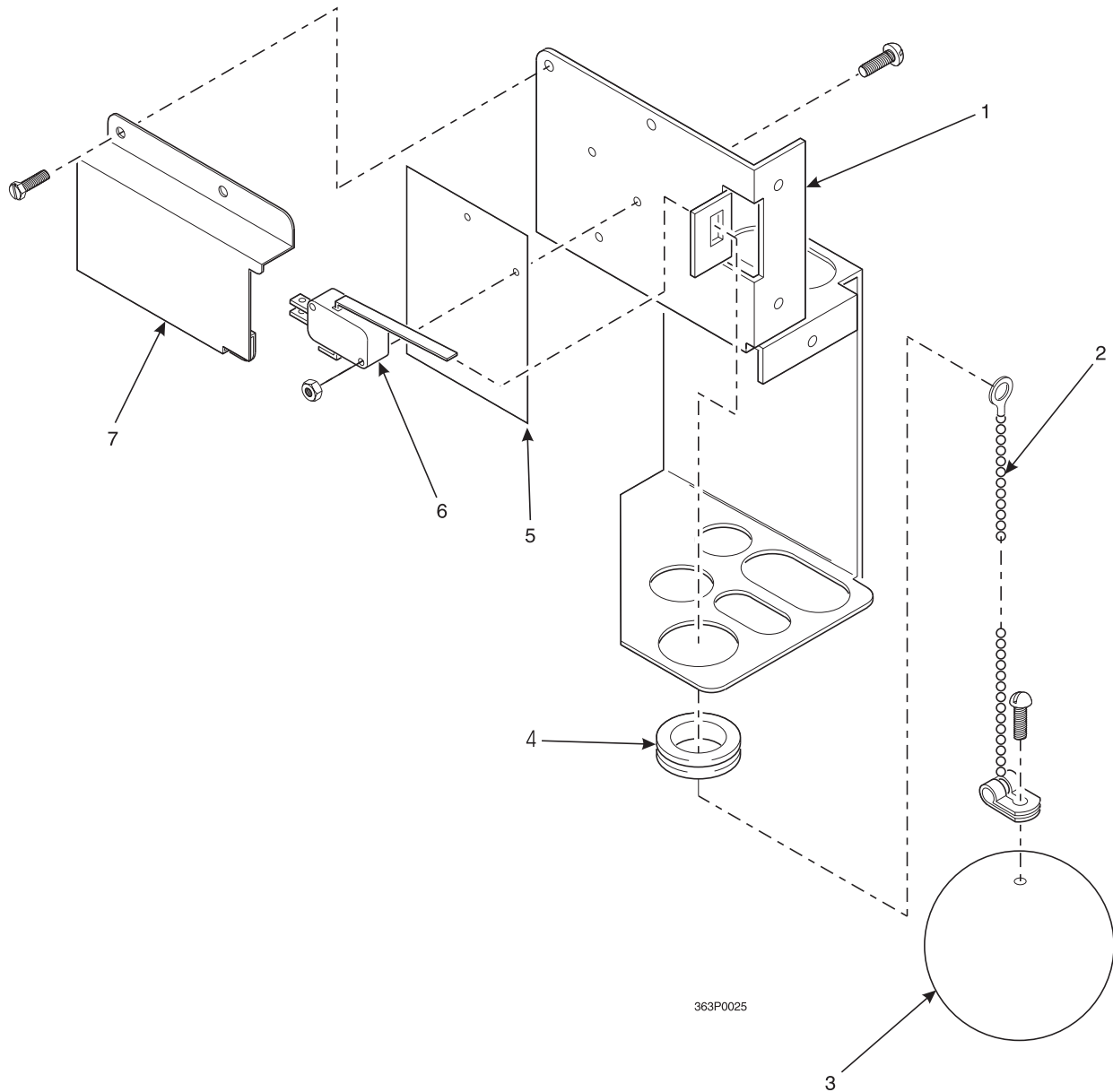
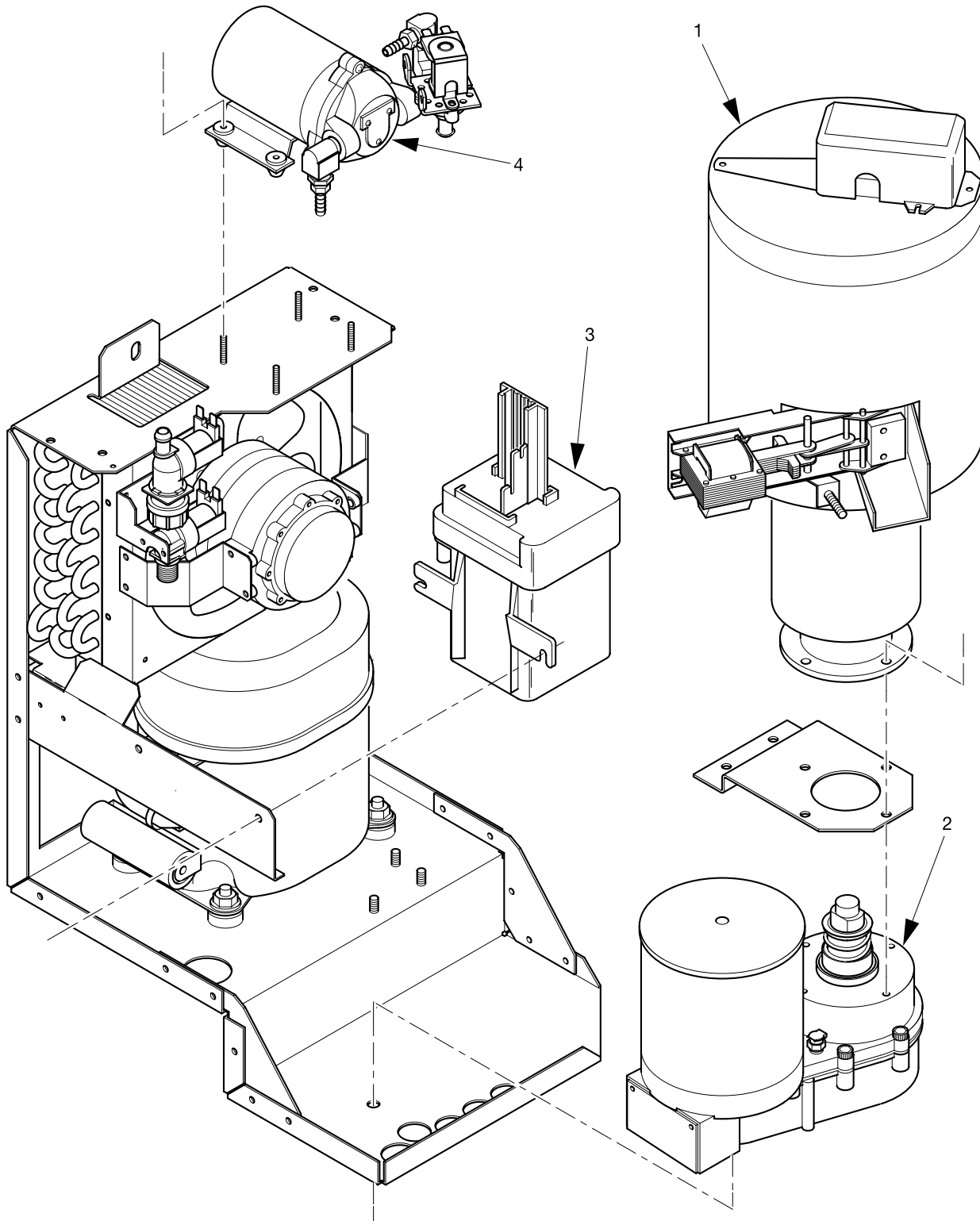


Figure 50. Overflow Switch Assembly



TABLE 50. OVERFLOW SWITCH ASSEMBLY

INDEX	PART NUMBER	DESCRIPTION	QTY.
-	3631076	OVERFLOW SWITCH ASSEMBLY	REF.
1	3631077	BRACKET ASSEMBLY - OVERFLOW SWITCH	1
2	3631118	CHAIN - OVERFLOW SWITCH	1
3	3116127	FLOAT - OVERFLOW SWITCH	1
4	3148060	GROMMET - 0.75 I.D.	1
5	3121150	INSULATION - OVERFLOW SWITCH	1
6	2304108	SWITCH LEVER V3L-131-D8	1
7	3631074	COVER - OVERFLOW SWITCH	1
-	1217159	4-40 KEPS W/EXT L/WASHER ZP	-
-	1217160	4-40 X 5/8 RHS M SCREW Z/Y	-
-	4047054	SCREW #8 8 X 1/2 RHS T/C	-



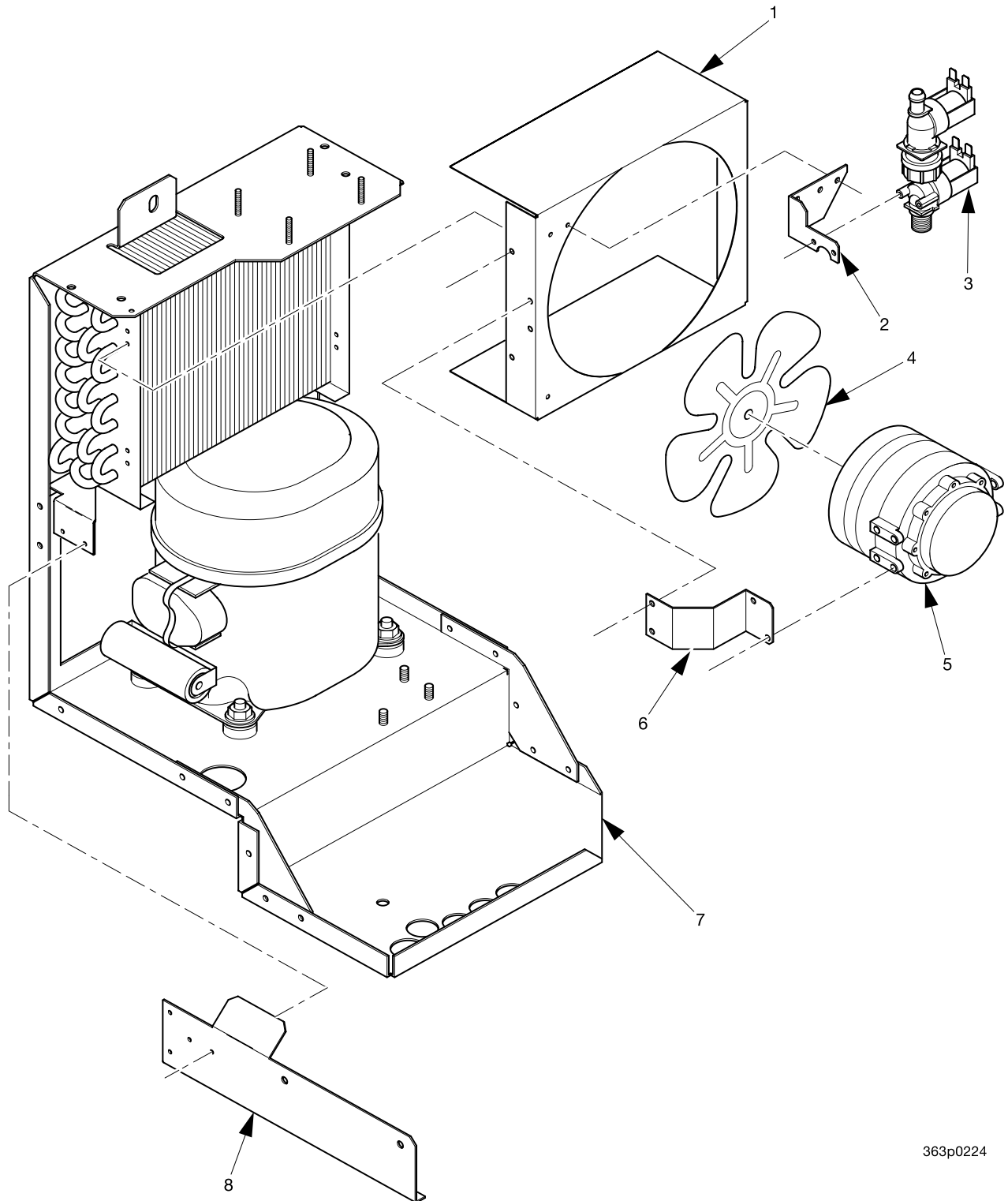
363p0223

Figure 51. Icemaker Assembly (Part 1 of 8)



TABLE 51. ICEMAKER ASSEMBLY (PART 1 OF 8)

INDEX	PART NUMBER	DESCRIPTION	QTY.
1	-	HOPPER AND EVAPORATOR ASSEMBLY (SEE FIGURE 55 FOR DETAILS)	1
2	-	GEAR AND MOTOR ASSEMBLY (SEE FIGURE 54 FOR DETAILS)	1
3	3178005	WATER FEEDER ASSEMBLY (SEE FIGURE 57 FOR DETAILS)	
4	3634174	PUMP AND VALVE ASSEMBLY - COOLSAN (SEE FIGURE 58 FOR DETAILS)	



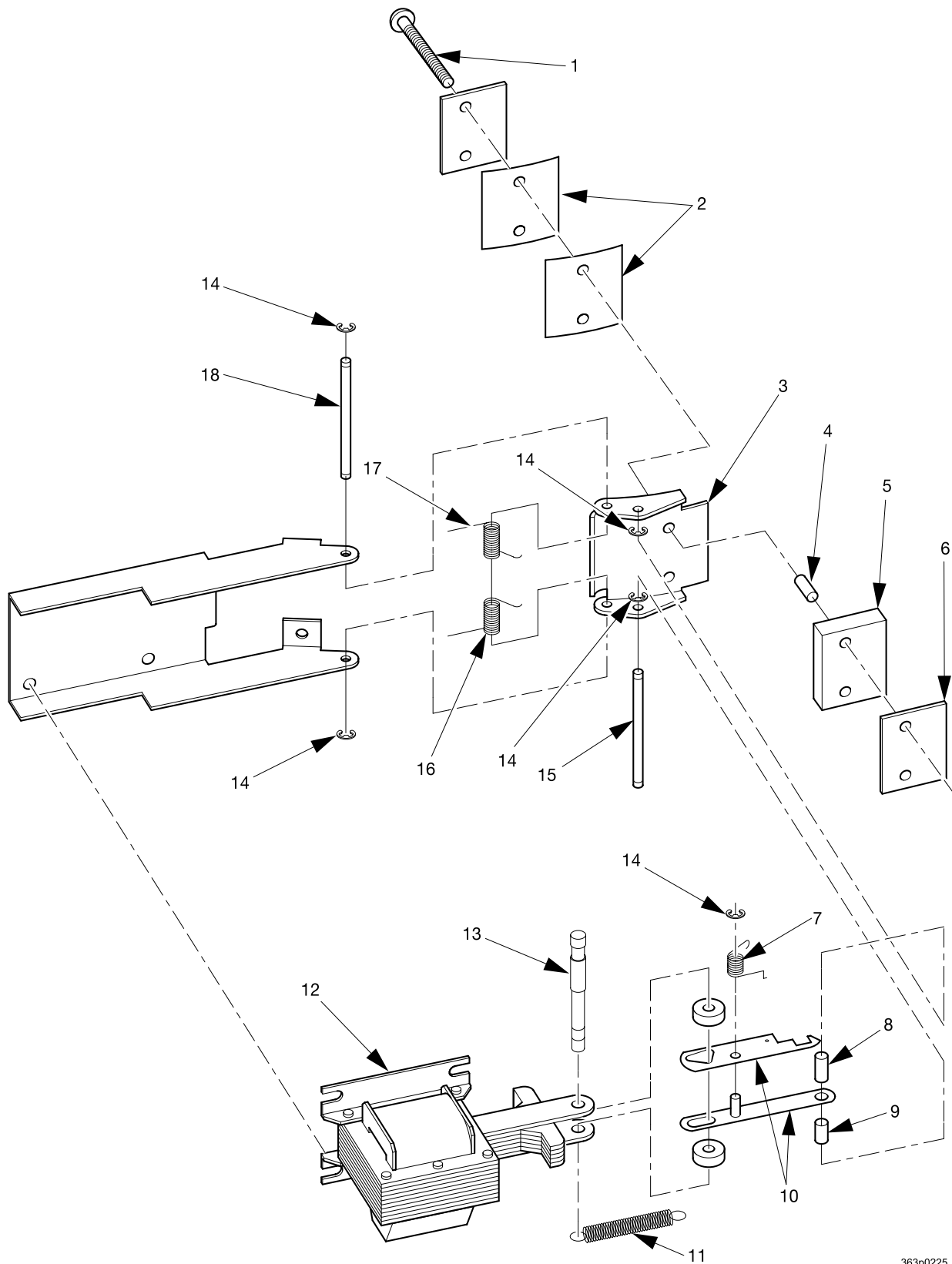
363p0224

Figure 52. Icemaker Assembly (Part 2 of 8)



TABLE 52. ICEMAKER ASSEMBLY (PART 2 OF 8)

INDEX	PART NUMBER	DESCRIPTION	QTY.
1	3634054	SHROUD - CONDENSER FAN	1
2	3634192	BRACKET - WATER SOLENOID	1
3	3634173	INLET VALVE ASSEMBLY - 115V	1
4	4774027	BLADE - CONDENSER FAN	1
5	4304092	MOTOR - CONDENSER FAN	1
6	3634055	BRACKET - CONDENSER FAN	1
7	3634156	ICE MAKER FRAME ASSEMBLY	1
8	3634186	BRACKET - FEEDER CUP	1



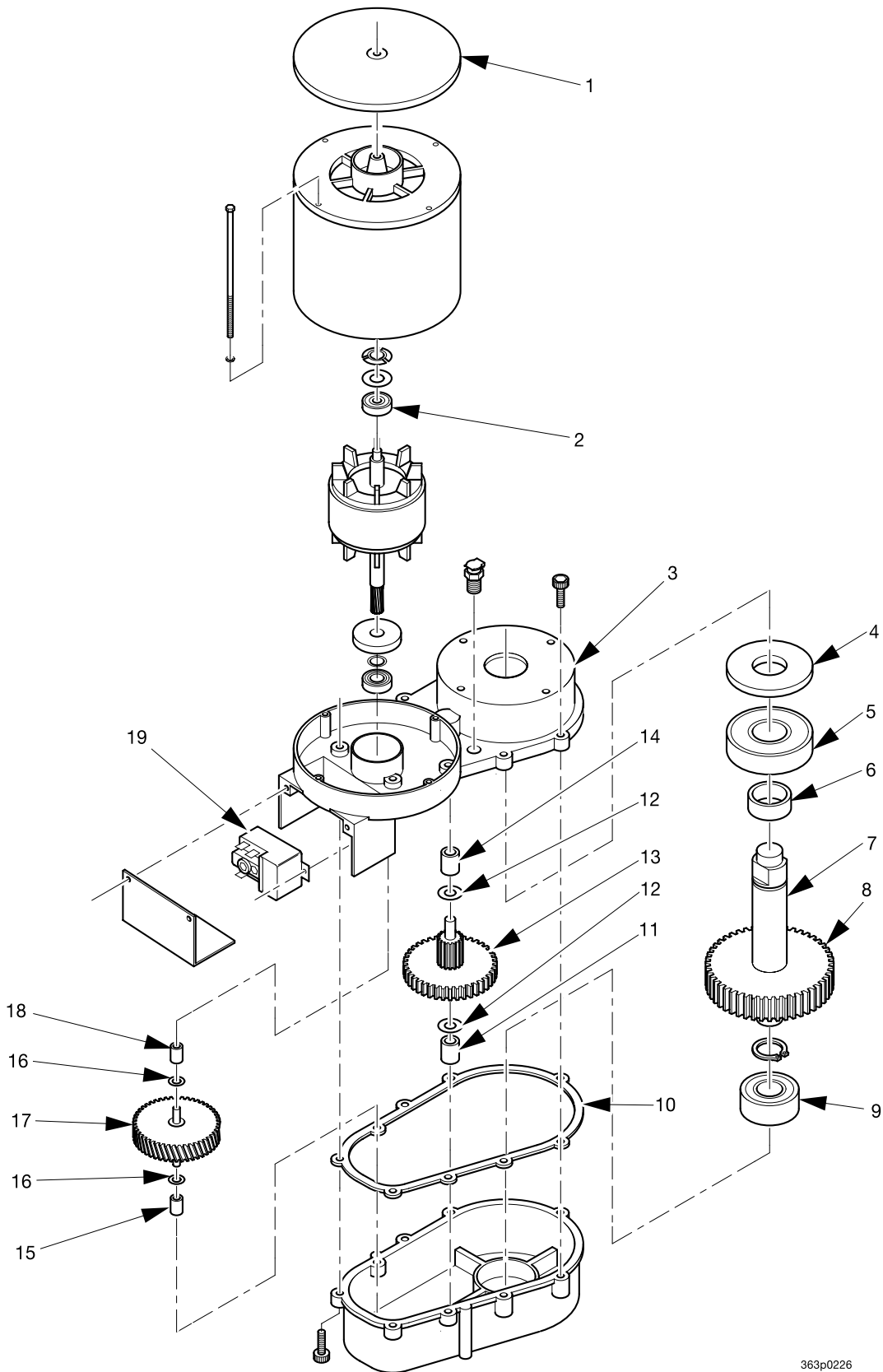
363p0225

Figure 53. Icemaker Assembly (Part 3 of 8)



TABLE 53. ICEMAKER ASSEMBLY (PART 3 OF 8)

INDEX	PART NUMBER	DESCRIPTION	QTY.
1	3124168	#07127-03 SCREW #4-40	-
2	3014049	#00875 GASKET	-
3	3014081	#05826-02 DOOR	-
4	3114081	SLEEVE - TUBULAR DOOR #03023	-
5	3014061	#00923 INSULATION - DOOR	-
6	3014101	#00901 INSULATION - PLATE	-
7	3014055	#00472 LEVER	-
8	3114132	SPACER - UPPER	-
9	3114078	SPACER - LOWER 3/8 LONG	-
10	3124106	DRIVE BAR & LINK ASSEMBLY #40071	-
11	3114099	SPRING PLUNGER #04026	-
12	3014062	#10081 SOLENOID 50HZ/60HZ	-
13	3104172	PIN CLEVIS - WILSHIRE #04390	-
14	6104220	RETAIN RING - TRUARC 5133-18H SS	-
15	3014056	#04417 PIN DRIVE	-
16	3114079	SPRING - TORSION - LOWER DOOR #04443	-
17	3114097	SPRING - TORSION - UPPER DOOR 04418	-
18	3014057	#04416 PIN - PIVOT	-



363p0226

Figure 54. Icemaker Assembly (Part 4 of 8) - Gear and Motor Assembly

Twin Drink Center Parts Manual

TABLE 54. ICEMAKER ASSEMBLY (PART 4 OF 8) - GEAR AND MOTOR ASSEMBLY			
INDEX	PART NUMBER	DESCRIPTION	QTY.
1	3124105	MOTOR SHIELD - NEW	-
2	3014251	#03335 BEARING - MOTOR - REAR	-
3	3154014	GEAR MOTOR COVER - WILSHR #41801	-
4	3154015	OIL SEAL - OUTPUT SHAFT #41810	-
-	3274001	KIT, OUTPUT GEAR (CONTAINS ITEMS 5-9, WHICH ARE NOT AVAILABLE SEPARATELY)	-
5	3154016	UPPER OUTPUT BEARING #41809	-
6	3154017	UPPER SPACER #41808	-
7	3154013	OUTPUT SHAFT, WILSHIRE #41814	-
8	3154018	OUTPUT GEAR	-
9	3154019	LOWER OUTPUT BEARING #41807	-
10	3014157	#03363 GASKET	-
11	3014268	#03356 BEARING - NYLON #4	-
12	3014269	#03357 WASHER - NYLON #4	-
13	3014152	#03590 GEAR/PIN ASSEMBLY #4 - #5	-
14	3014268	#03356 BEARING - NYLON #4	-
15	3014267	#03355 BEARING - NYLON #2	-
16	3014266	#03354 WASHER - NYLON #2	-
17	3014149	#03589 GEAR/PIN ASSEMBLY #2-#3	-
18	3014267	#03355 BEARING - NYLON #2	-
19	3014069	#30789 RELAY STARTER	-

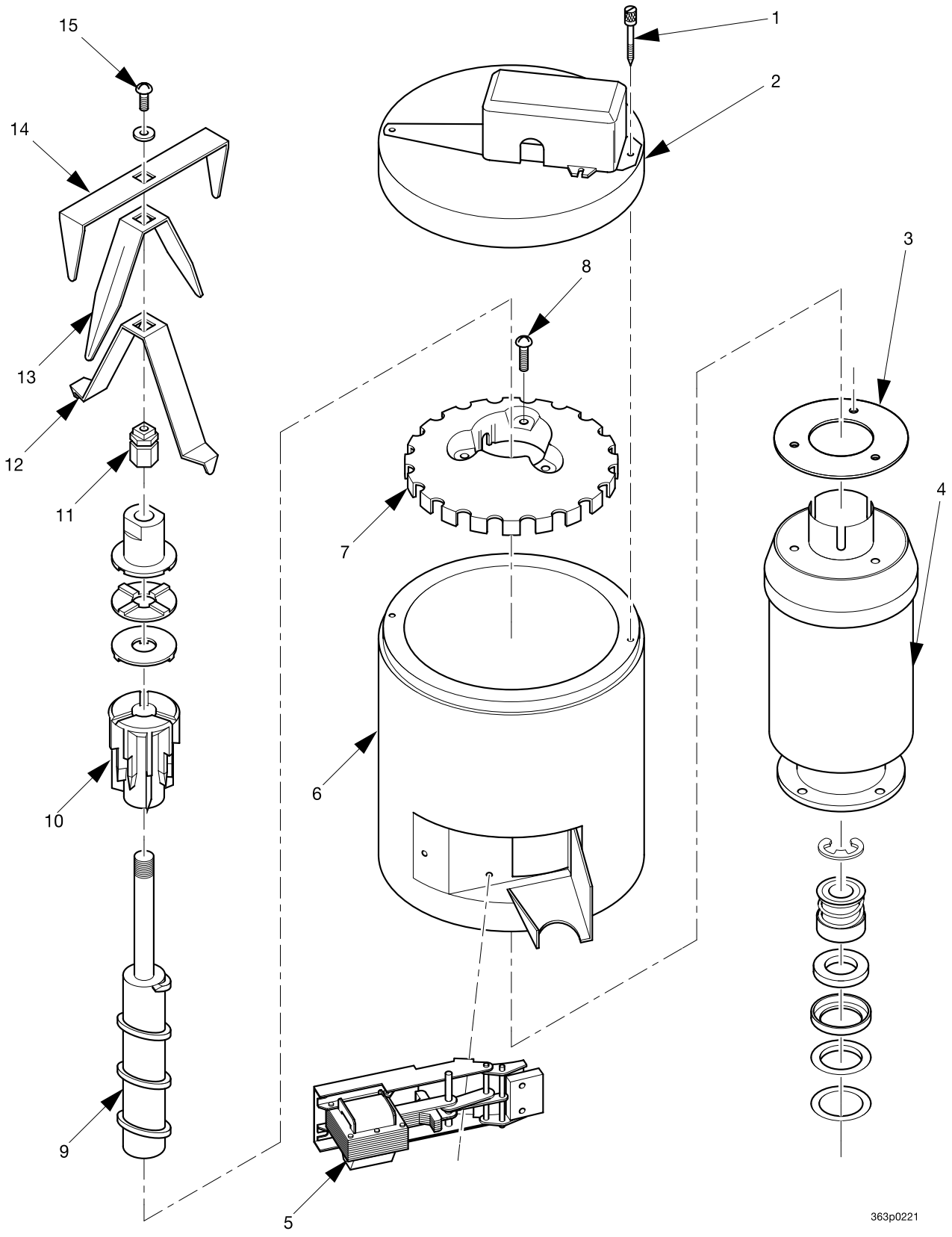


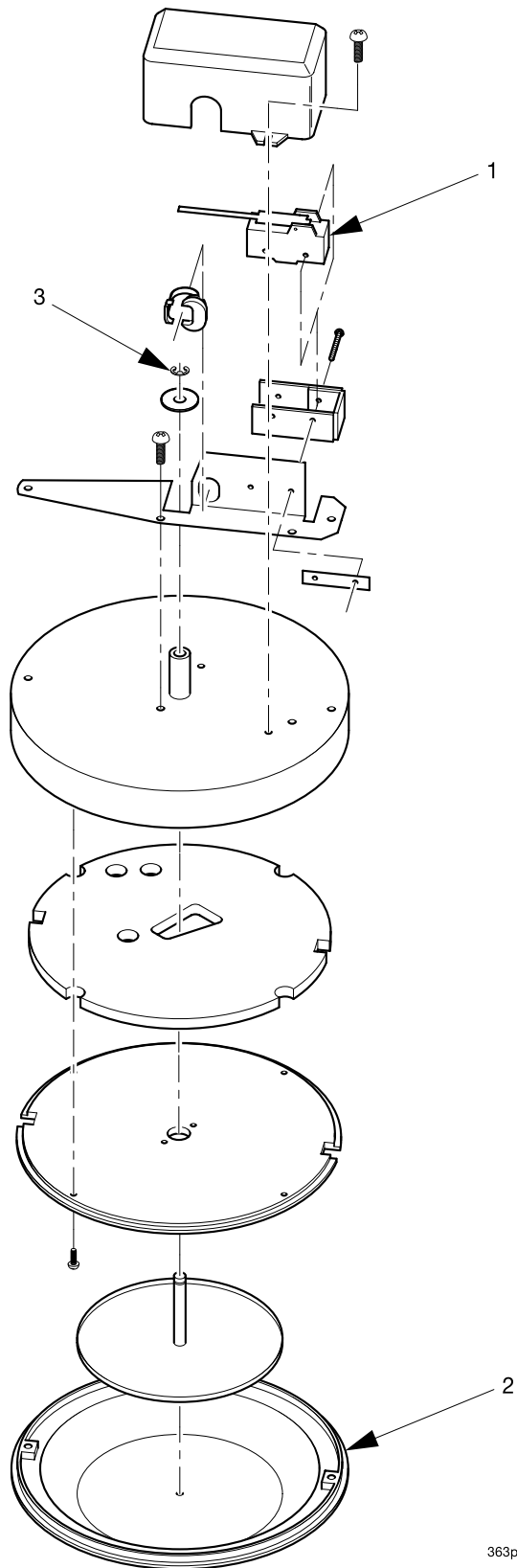
Figure 55. Icemaker Assembly (Part 5 of 8) - Hopper and Evaporator Assembly

363p0221



TABLE 55. ICEMAKER ASSEMBLY (PART 5 OF 8) - HOPPER AND EVAPORATOR ASSEMBLY

INDEX	PART NUMBER	DESCRIPTION	QTY.
1	3014073	#00959 SCREW - THUMB	-
2	3154063	CONTROL ASSEMBLY - ICE LEVEL #05500-20 (SEE FIGURE 56 FOR DETAILS)	-
3	3154026	GASKET - HOPPER #40058	-
4	3154025	EVAPORATOR ASSEMBLY #40063	-
5	3014064	DISPENSE MECHANISM #08600-01	-
6	3154021	HOPPER ASSEMBLY #40099	-
7	3154024	DRIP RING - WILSHIRE #40096	-
8	3154023	SCREW - WILSHIRE #40094	-
9	3154067	NAT'L AUGER - WILSHIRE #40141	-
10	3154031	EXTRUDING HEAD ASSEMBLY #40049	-
11	3157078	DIP TUBE ASSEMBLY - SUCTION #2	-
12	3154079	AGITATOR - LOWER #40144	-
13	3154042	AGITATOR ARM #40093	-
14	3154077	AGITATOR - UPPER #40143	-
15	3154040	SCREW - 1/4-20X3/8 HMS #07088-02	-



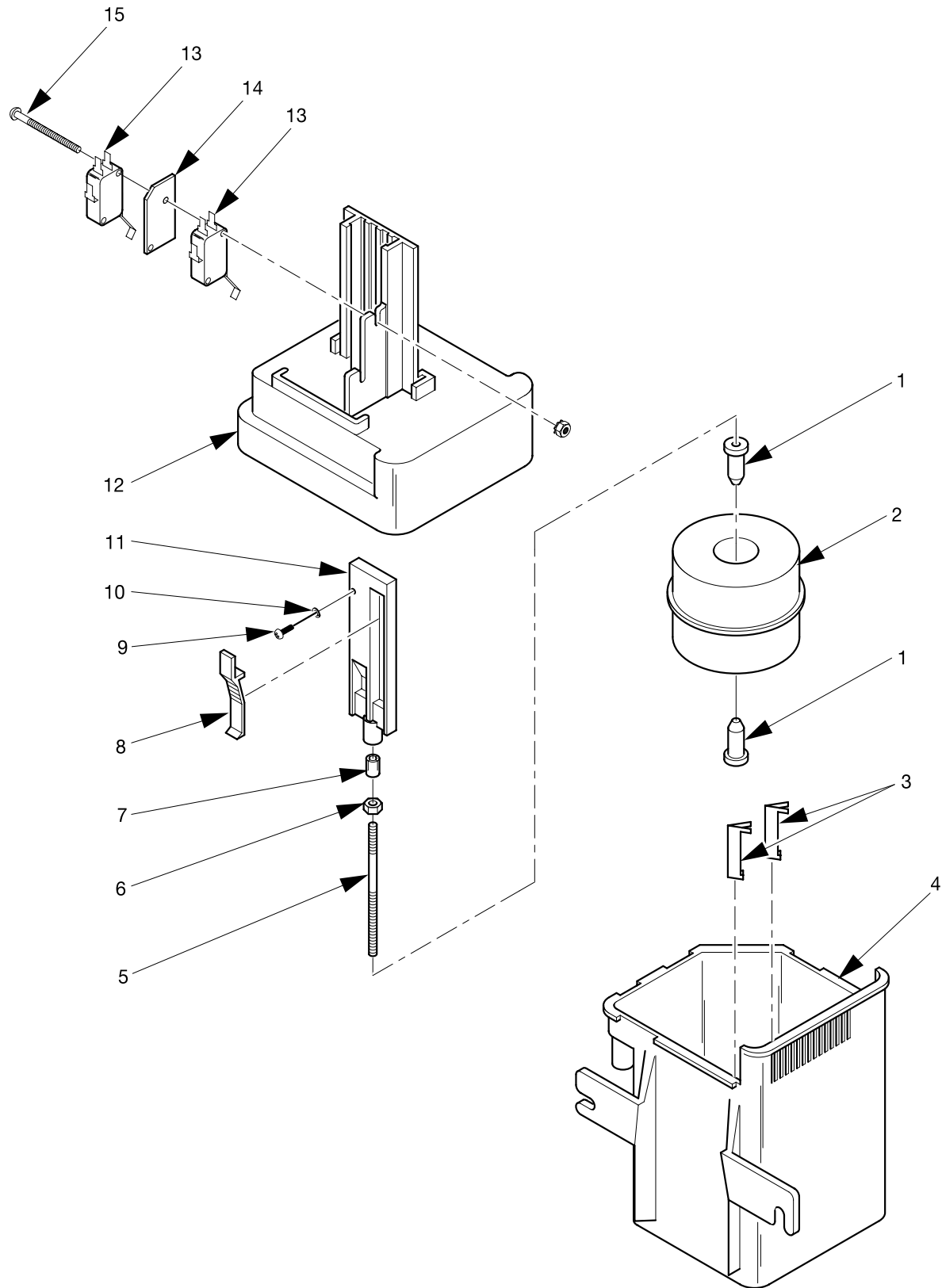
363p022C

Figure 56. Icemaker Assembly (Part 6 of 8) - Control Assembly - Ice Level



TABLE 56. ICEMAKER ASSEMBLY (PART 6 OF 8) - CONTROL ASSEMBLY - ICE LEVEL

INDEX	PART NUMBER	DESCRIPTION	QTY.
1	3154064	SWITCH - ICE LEVEL	-
2	3114098	DIAPHRAGM - ICE LEVEL	-
3	9900418	RETAINING RING - REINF. E TYP.187	-



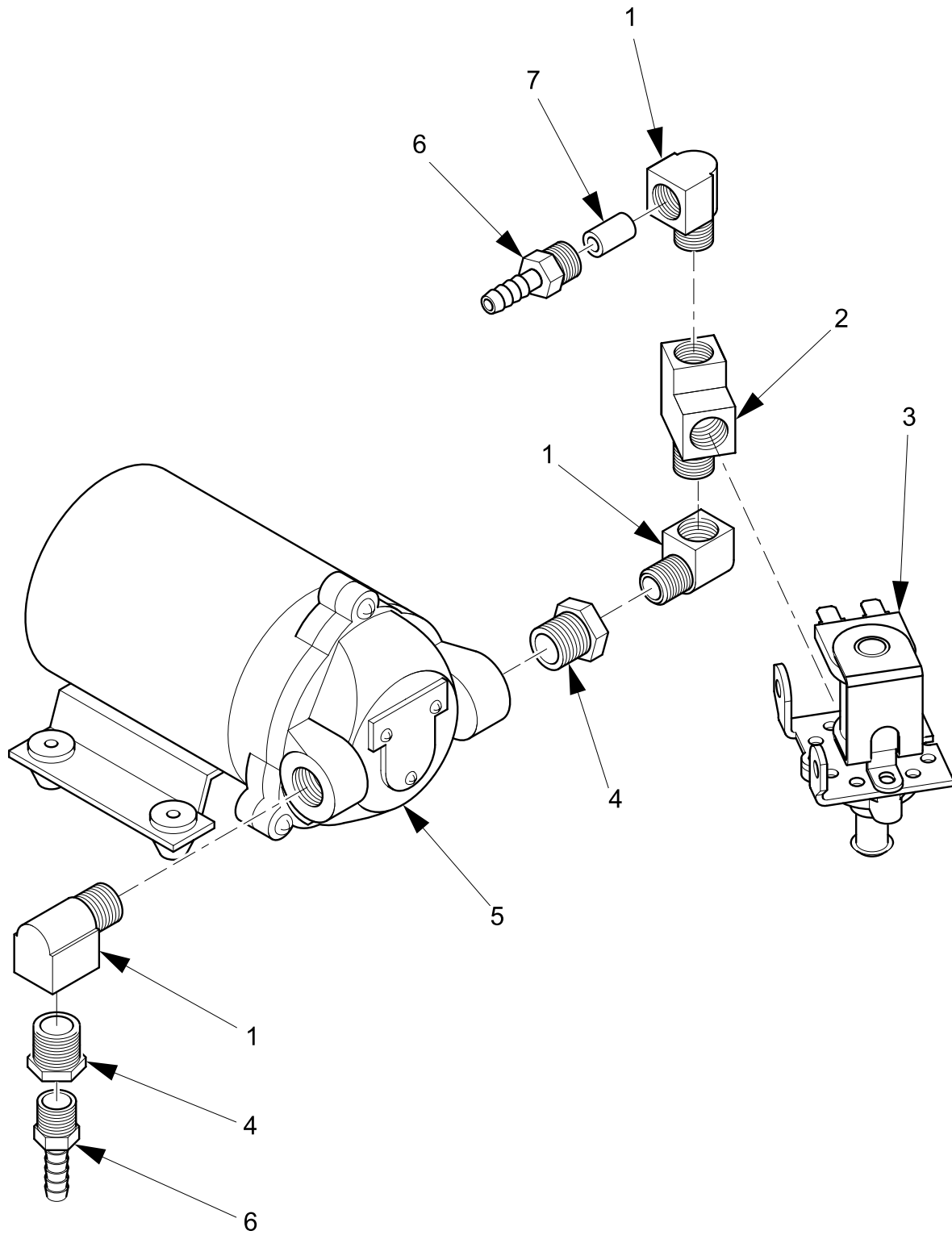
363p0222

Figure 57. Icemaker Assembly (Part 7 of 8) - Water Feeder Assembly



TABLE 57. ICEMAKER ASSEMBLY (PART 7 OF 8) - WATER FEEDER ASSEMBLY

INDEX	PART NUMBER	DESCRIPTION	QTY.
1	3118006	BUSHING - FLOAT SHAFT	-
2	3118003	FLOAT ASSEMBLY - WATER FEEDER	-
3	3128128	INSERT - WATER FEEDER CUP	-
4	3118002	CUP - WATER FEEDER	-
5	3118005	SHAFT - FLOAT WATER FEEDER	-
6	6104429	KEPS NUT # 6-32 S.S. EXT LW	-
7	6104194	DODGE EXPANSION INSERT	-
8	3118007	ACTUATOR - SWITCH - LOW WATER LEVEL	-
9	3128169	SCREW - #4-40 X.250 RHS T/C SS	-
10	6138080	LOCKWASHER - #4 - SPLIT TYPE	-
11	3118008	ACTUATOR - SWITCH WATER LEVEL	-
12	3158028	COVER - WATER FEEDER CUP	-
13	3118011	SWITCH - V3L-1260-D8	-
14	6112042	INSULATOR - SWITCH	-
15	3113003	SCREW - #4 40 X 1 1/4 RHS	-



363p0227

Figure 58. Icemaker Assembly (Part 8 of 8) - Pump and Valve Assembly - Cool-San



TABLE 58. ICEMAKER ASSEMBLY (PART 8 OF 8) - PUMP AND VALVE ASSEMBLY - COOL-SAN

INDEX	PART NUMBER	DESCRIPTION	QTY.
1	3128303	90 STREET ELBOW 1/4 NPTF	3
2	3128317	STREET TEE - 1/4 NPTF-PH#2225P-4	1
3	3158072	VALVE - DRAIN - EATON S60 #678125-1	1
4	6408117	BUSHING - 1/4X3/8 - BRASS - 209P-6-4	2
5	3638022	PUMP - CARBONATOR - 115V - W/TERM.	1
6	6104159	HOSE CONNECTOR #61130	2
7	3634056	RESTRICTOR - PUMP - COOL-SAN	1

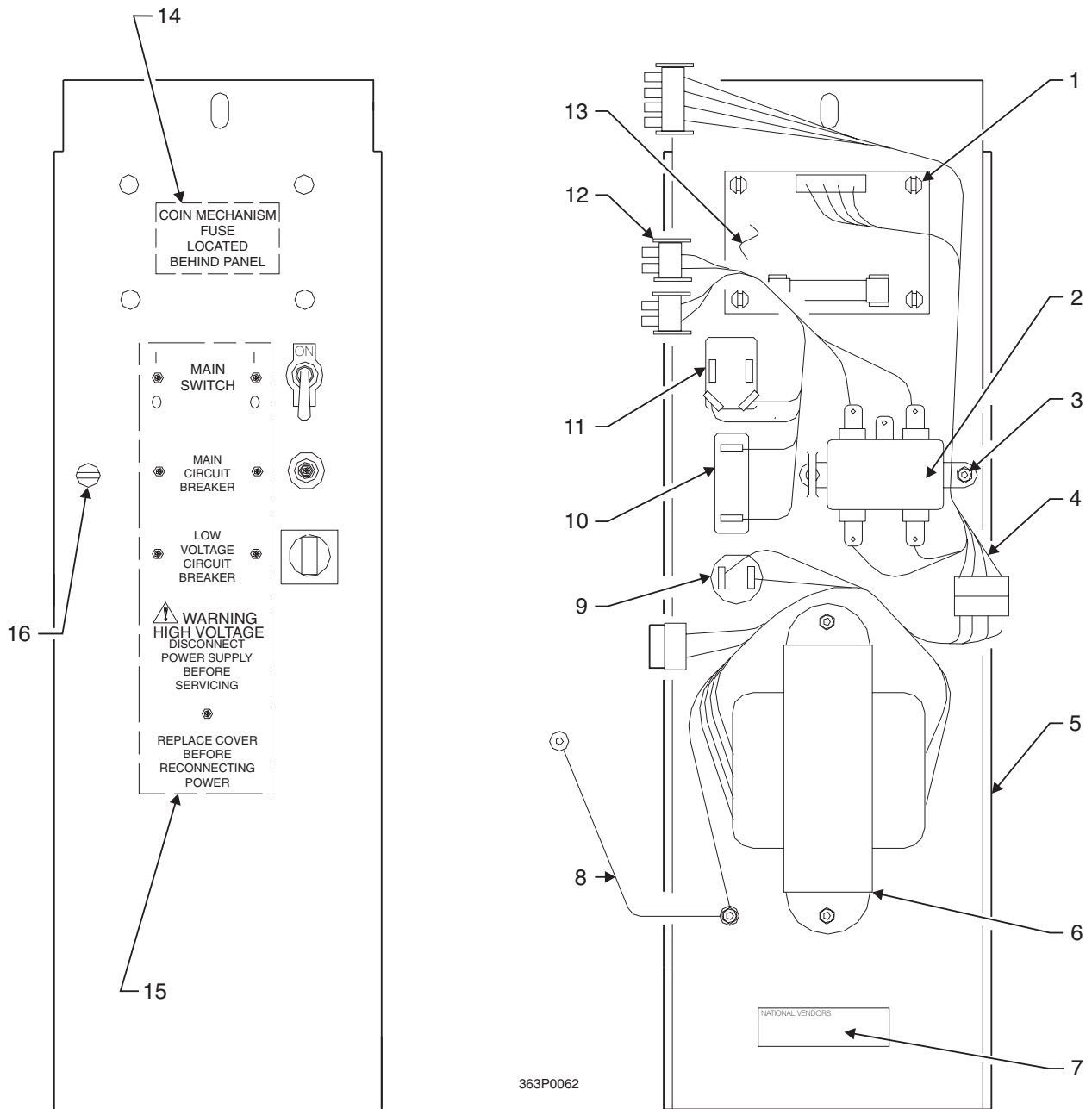


Figure 59. Power Panel Assembly - U.S.



TABLE 59. POWER PANEL ASSEMBLY - U.S.

INDEX	PART NUMBER	DESCRIPTION	QTY.
-	3631079	POWER PANEL ASSEMBLY	REF.
1	1571035	STANDOFF - PCB - 3/8 SNAP LOCK	4
2	9989100	INTERFERENCE FILTER	1
3	9900081	NUT #8-32 KEPS ZINC PLATE	-
4	1579017	HARNESS - COIN HANDLING - POWER	1
5	1571040	PLATE & STUD ASSEMBLY - POWER	1
6	9989042	TRANSFORMER - 115V/230V PRIMARY, 24V SECONDARY	1
7	9989369	LABEL - N.V. BLANK	1
8	9984165	JUMPER - GROUND WIRE	1
9	9989336	CIRCUIT BREAKER - 3 AMP	1
10	9989673	CIRCUIT BREAKER - 20A	1
11	9984624	SWITCH - DPST - TOGGLE - 20 AMP	1
12	1579013	HARNESS - POWER PANEL - DOMESTIC	1
13	9989659	PCB ASSEMBLY - DUMB MECH POWER SUPPLY	1
14	1570057	LABEL - COIN MECH FUSE - ENGLISH	1
15	4311117	LABEL - POWER CONTROL PANEL - 115V - U.S.	1
16	1211110	8-32X1/4 RHS MACHINE SCREW ZP	1

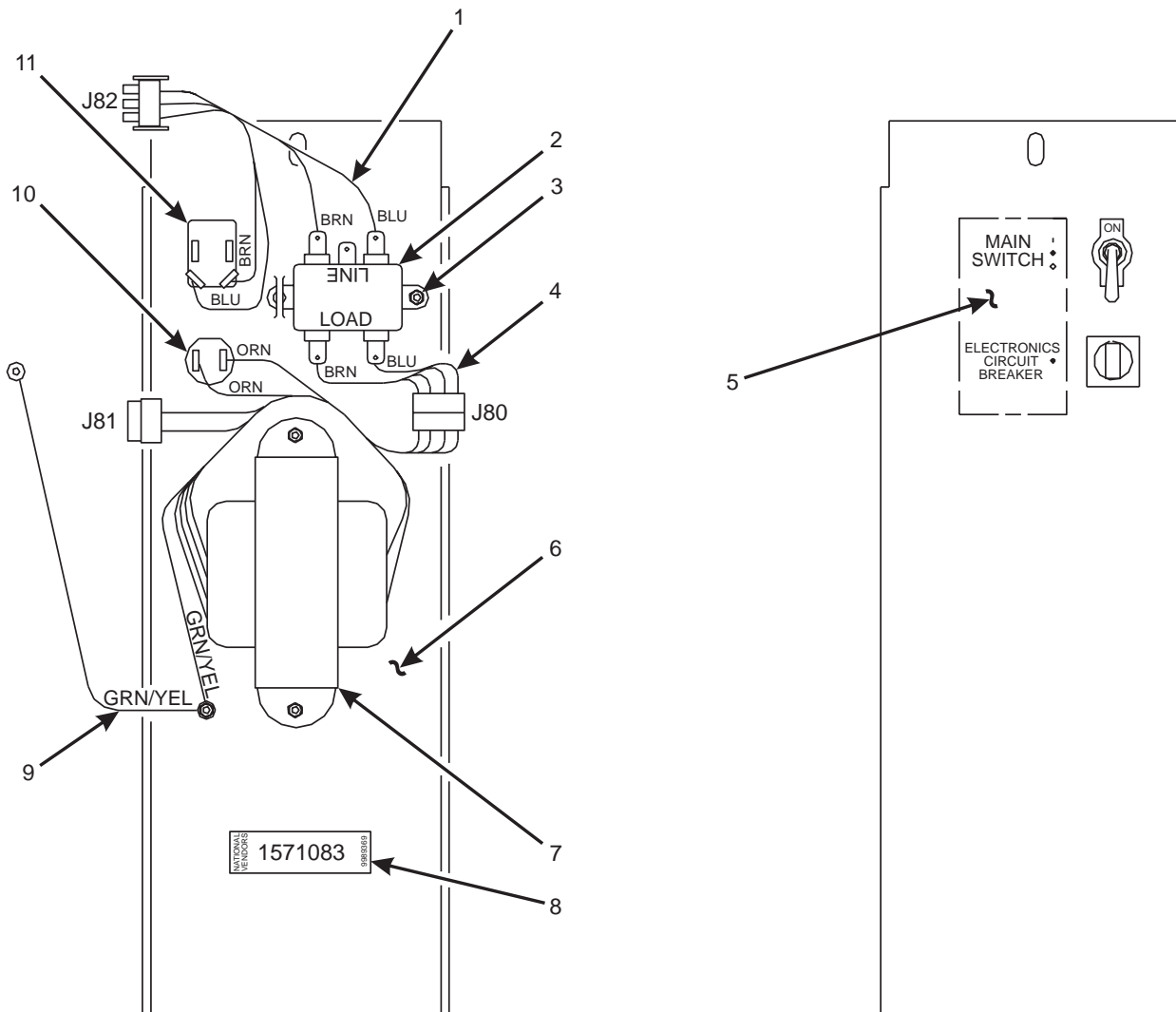
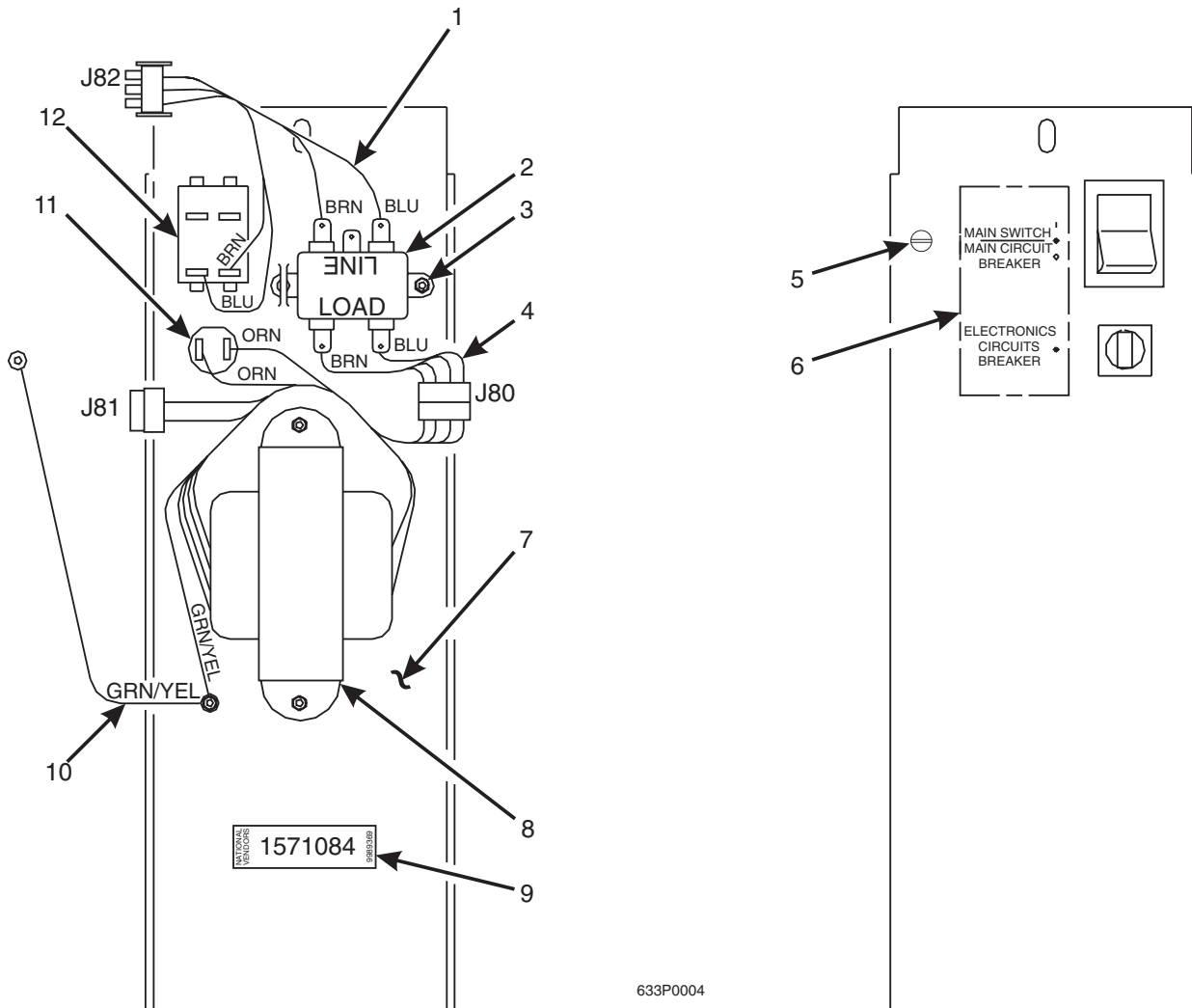




TABLE 60. POWER PANEL ASSEMBLY - U.K.

INDEX	PART NUMBER	DESCRIPTION	QTY.
-	1571083	POWER PANEL ASSEMBLY - U.K.	REF.
1	1579014	HARNESS - POWER PANEL - FOREIGN	1
2	9989100	INTERFERENCE FILTER	1
3	9900081	NUT, #8-32 KEPS ZINC PLATE	-
4	1579016	JUMPER - TRANSFORMER - FOREIGN	1
5	1571065	LABEL - POWER CONTROL PANEL (AUS./N.Z./U.K.)	1
	4311121	LABEL - POWER CONTROL PANEL (ARG.) (ENGLISH TRANSLATION SHOWN)	
6	1571048	PLATE & STUD ASSEMBLY - POWER - U.K.	1
7	9989042	TRANSFORMER - 115V/230V PRIMARY, 24V SECONDARY	1
8	9989369	LABEL - N.V. - BLANK	1
9	9984165	JUMPER - GROUND WIRE	1
10	9989674	CIRCUIT BREAKER - 4 AMP	1
11	9984624	SWITCH - DPST - TOGGLE - 20 AMP	1



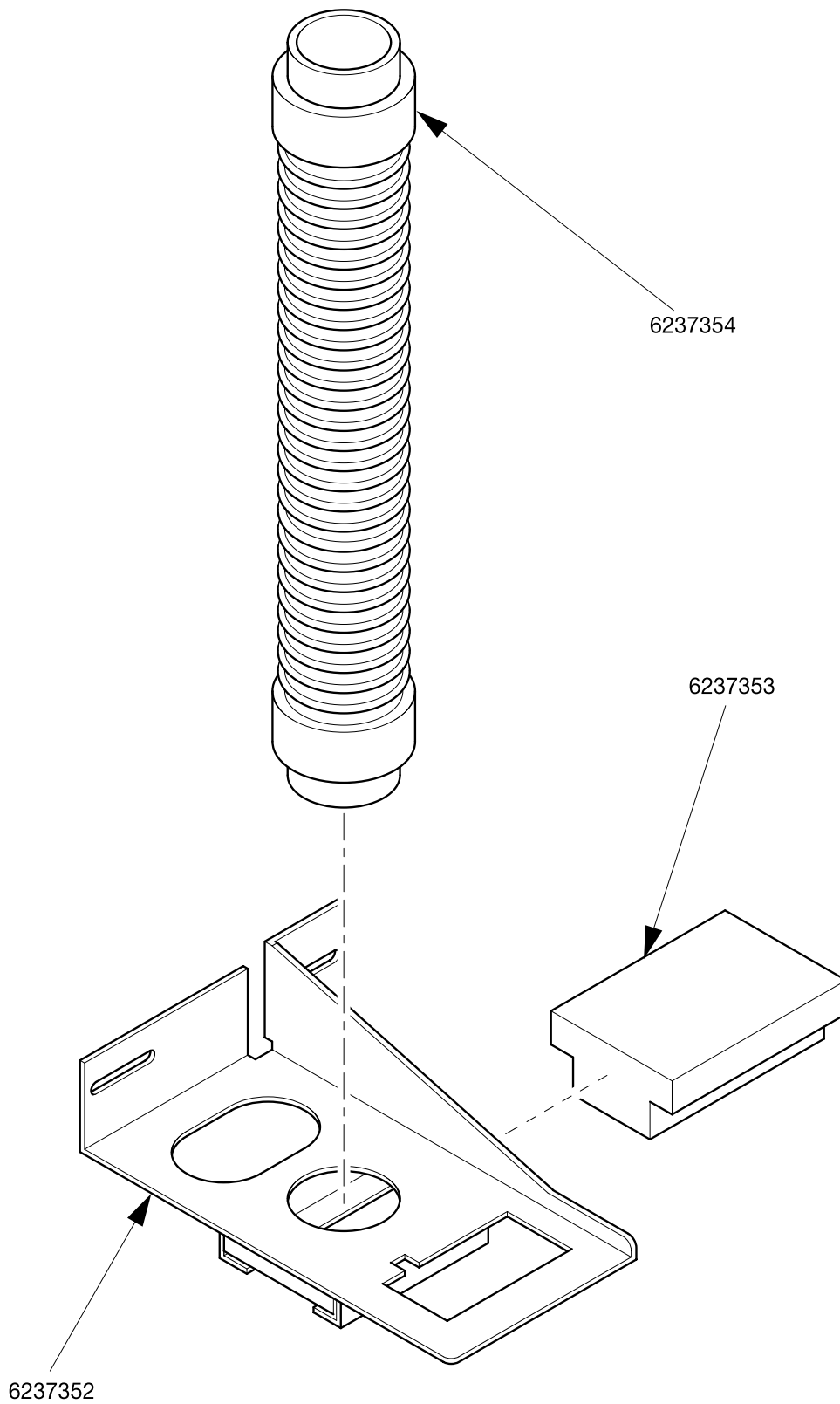
633P0004

Figure 61. Power Panel Assembly (FR./GER./S.A./SP)



TABLE 61. POWER PANEL ASSEMBLY (FR./GER./S.A./SP.)

INDEX	PART NUMBER	DESCRIPTION	QTY.
-	1571084	POWER PANEL ASSEMBLY FR./GER	REF.
1	1579014	HARNESS - POWER PANEL - FOREIGN	1
2	9989100	INTERFERENCE FILTER	1
3	9900081	NUT #8-32 KEPS ZINC PLATE	1
4	1579016	JUMPER - TRANSFORMER - FOREIGN	1
5	4311120	LABEL-POWER CONTROL PANEL (FR.) (ENGLISH TRANSLATION SHOWN)	1
	4311119	LABEL-POWER CONTROL PANEL (GER.) (ENGLISH TRANSLATION SHOWN)	
	4311121	LABEL-POWER CONTROL PANEL (SP.) (ENGLISH TRANSLATION SHOWN)	
6	1571038	PLATE & STUD ASSEMBLY - POWER	1
7	9989042	TRANSFORMER - 115V/230V PRIMARY, 24V SECONDARY	1
8	9989369	LABEL - N.V.BLANK	1
9	9984165	JUMPER - GROUND WIRE	1
10	9989674	CIRCUIT BREAKER - 4 AMP	1
11	9984627	CIRCUIT BREAKER/SWITCH - 16 AMP	1



363p004E

Figure 62. Filter Locator and Bracket Assembly



TABLE 62. FILTER LOCATOR AND BRACKET ASSEMBLY

INDEX	PART NUMBER	DESCRIPTION	QTY
1	6237354	HOSE ASSY - EXHAUST - COFFEE CHUTE	1
2	6237353	FILTER - EXHAUST - CHUTE	1
3	6234979	LOCATOR AND BRACKET ASSY - DUAL BREWER	OPT
4	6237352	LOCATOR AND BRACKET ASSY - SINGLE BREWER	OPT

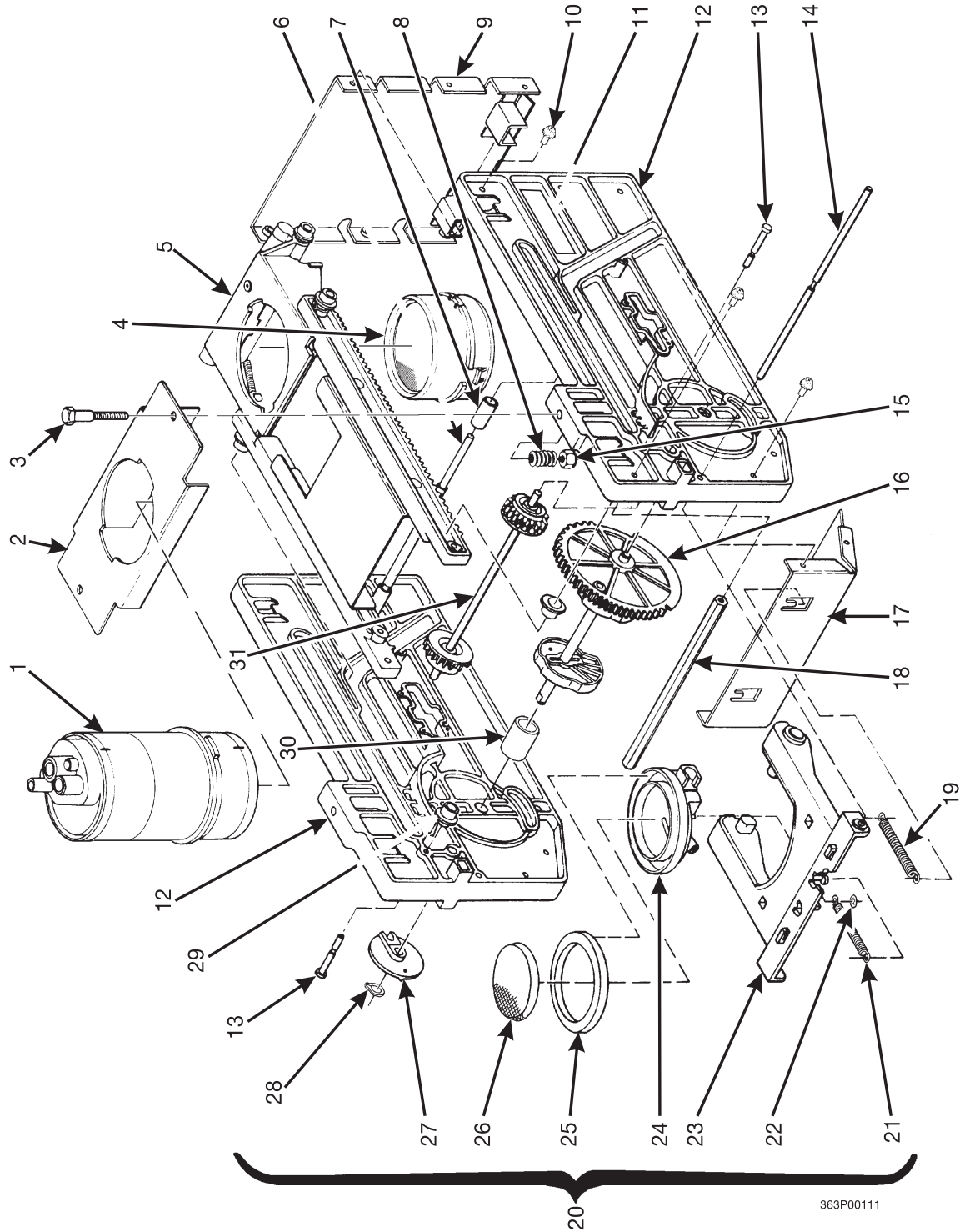


Figure 63. Single Brewer Assembly (No Filter)



TABLE 63. SINGLE BREWER ASSEMBLY (NO FILTER)

INDEX	PART NUMBER	DESCRIPTION	QTY.
-	6234010	SINGLE BREWER ASSEMBLY - NO FILTER	REF.
1	6234328	BARREL ASSEMBLY - BREWER (SEE FIGURE 65 FOR DETAILS)	1
2	6234301	BARREL SUPPORT - BREWER	1
3	6234288	BOLT - 1/4-20X1 1/2	2
4	6234104	BASKET - BREWER	1
5	6234001	RACK ASSEMBLY (SEE FIGURE 66 FOR DETAILS)	1
6	6234271	SHAFT - FLIP STOP	1
7	6234270	ROLLER - STOP	2
8	6234225	SPRING - BREWER	2
9	6234215	WALL ASSEMBLY - REAR	1
10	6234295	SCREW - #8-32X.38 HHS W/LW	12
11	6231197	LABEL - CAUTION: HOT WATER HAZARD (AUS./N.Z./U.K./U.S.)	1
	6231213	LABEL - CAUTION: HOT WATER HAZARD (GER.)	
	6232293	LABEL - CAUTION: HOT WATER HAZARD (ARG./MEX./SP.)	
	6231220	LABEL - CAUTION: HOT WATER HAZARD (FR.)	
12	6234273	SIDEWALL - BREWER	2
13	6234223	PIN-ROLLER - SIDEWALL	2
14	6234308	SHAFT - SWING ARM	1
15	6234289	LOCKNUT - #1/4-20	2
16	6234008	GEAR & CAM ASSEMBLY	1
17	6234220	WALL ASSEMBLY - BOTTOM - FRONT	1
18	6234293	SPACER - SINGLE BREWER	1
19	6234205	SPRING	2
20	6234200	SWING ARM ASSEMBLY (INCLUDES INDEX NUMBERS 20 - 24)	1
21	6234205	EXT. SPRING - SWING ARM	2
22	6234243	SHAFT - RETAINER - .125 DIA	2
23	6234002	SWING ARM ASSEMBLY	1
24	6234240	FUNNEL - COFFEE	1
25	6234375	SEAL - BREWER	1
26	6334019	FILTER SUPPORT - 30 MESH	1
27	6234310	DRIVE CONNECTION - BREWER	1
28	6234303	RETAINING RING - .375 DIA.	1
29	6234222	ROLLER - BREWER	2
30	6234803	SPACER - CAM	1
31	6234007	PINION GEAR ASSEMBLY	1

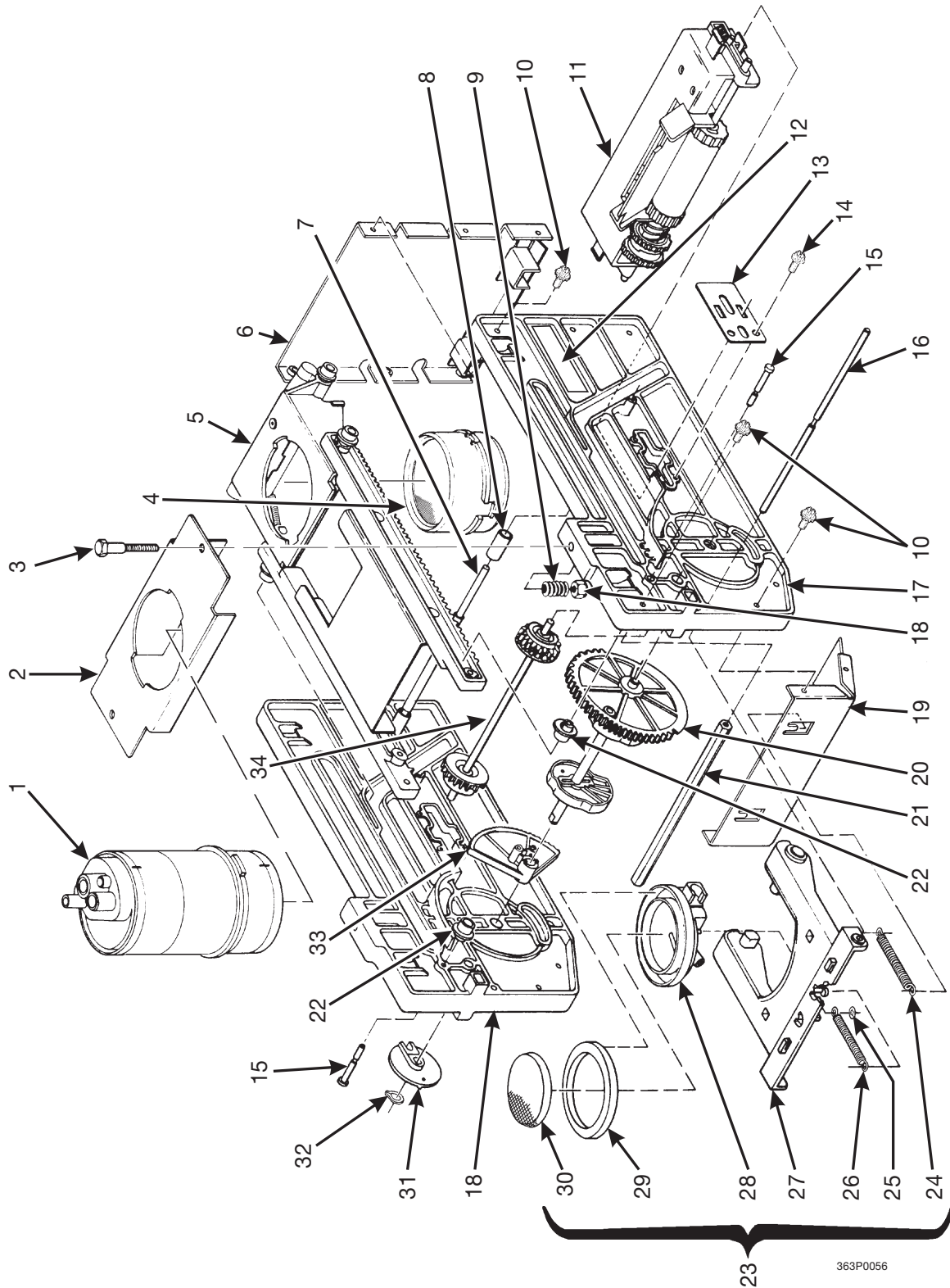
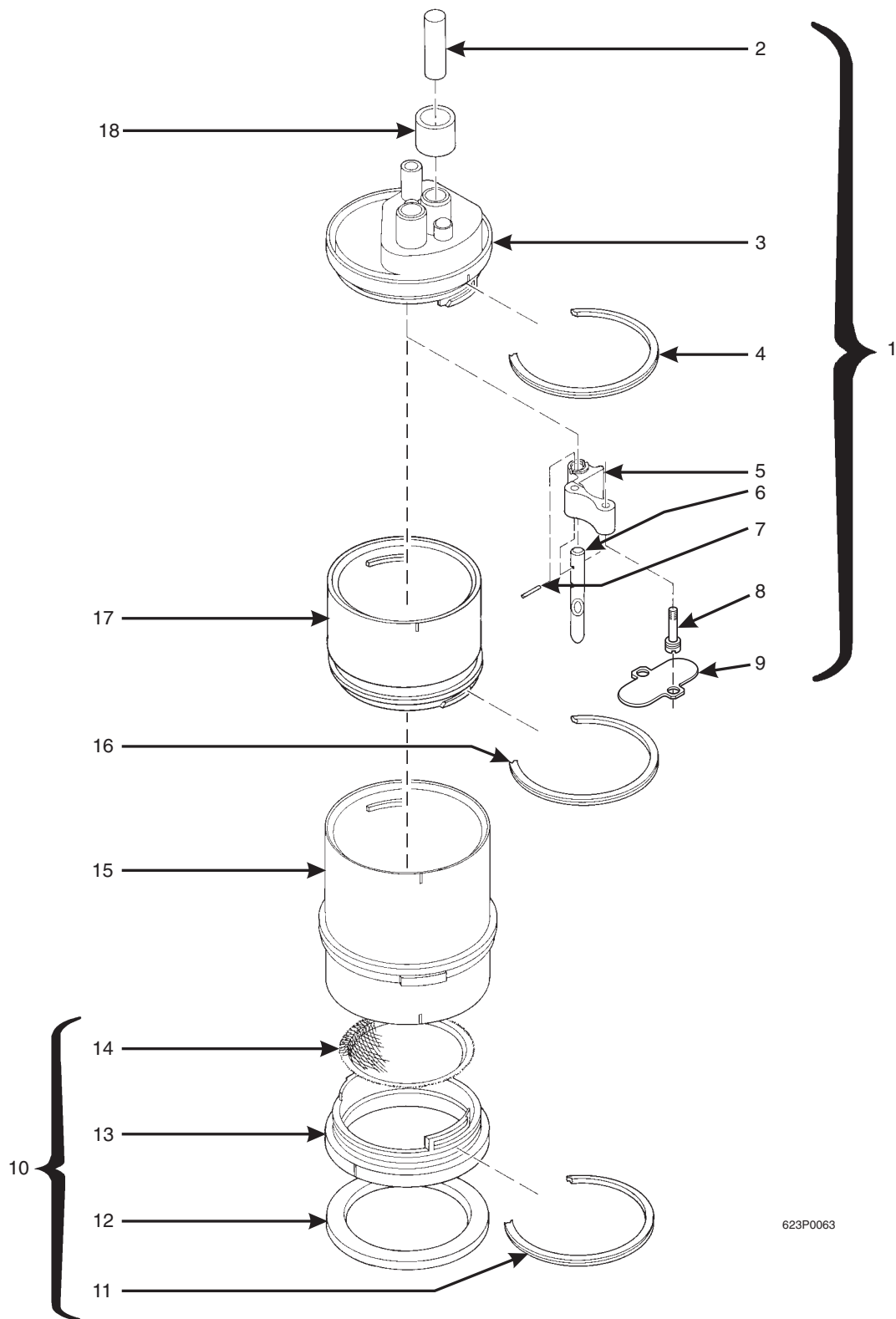


Figure 64. Single Brewer Assembly (With Filter)



TABLE 64. SINGLE BREWER ASSEMBLY (WITH FILTER)

INDEX	PART NUMBER	DESCRIPTION	QTY.
-	6234000	SINGLE BREWER ASSEMBLY - WITH FILTER	REF.
1	6234328	BARREL ASSEMBLY - BREWER (SEE FIGURE 65 FOR DETAILS)	1
2	6234301	BARREL SUPPORT - BREWER	1
3	6234288	BOLT - 1/4-20X1 1/2	2
4	6234297	BASKET - BREWER PAPER	1
5	6234001	RACK ASSEMBLY - BREWER (SEE FIGURE 66 FOR DETAILS)	1
6	6234215	WALL ASSEMBLY - REAR	1
7	6234271	SHAFT - FLIP STOP	1
8	6234270	ROLLER - STOP	2
9	6234225	SPRING - BREWER	2
10	6234295	SCREW - #8-32X.38 HHS W/LW	12
11	6234600	PAPER MECHANISM ASSEMBLY (SEE FIGURE 67 FOR DETAILS)	1
12	6231197	LABEL - CAUTION: HOT WATER HAZARD (AUS./BRZ./N.Z./U.K./U.S.)	1
	6231213	LABEL - CAUTION: HOT WATER HAZARD (GER.)	
	6232293	LABEL - CAUTION: HOT WATER HAZARD (ARG./MEX./SP.)	
	6231220	LABEL - CAUTION: HOT WATER HAZARD (FR.)	
13	6234608	SPRING COVER - PAPER MECH	2
14	6234616	SCREW - #10-32 X 3/8 HHS SL W/ EA	4
15	6234223	PIN - ROLLER - SIDEWALL	2
16	6234308	SHAFT - SWING ARM	1
17	6234273	SIDEWALL - BREWER	2
18	6234289	LOCKNUT-#1/4-20	2
19	6234220	WALL ASSEMBLY - BOTTOM FRONT	1
20	6234008	GEAR & CAM ASSEMBLY	1
21	6234293	SPACER - SINGLE BREW	1
22	6234222	ROLLER - BREWER	2
23	6234200	SWING ARM ASSEMBLY (INCLUDES INDEX NUMBERS 25 THROUGH 30)	1
24	6234205	SPRING	1
25	6234243	SHAFT - RETAINER - .125 DIA	2
26	6234205	EXT. SPRING - SWING ARM	2
27	6234002	SWING ARM ASSEMBLY	1
28	6234240	FUNNEL - COFFEE	1
29	6234375	SEAL - BREWER	1
30	6334019	FILTER SUPPORT - 30 MESH	1
31	6234310	DRIVE CONNECTION - BREWER	1
32	6234303	RETAINING RING - .375 DIA.	1
33	6234601	RATCHET DRIVE - PAPER MECH.	1
34	6234007	PINION GEAR ASSEMBLY	1



623P0063

Figure 65. Barrel Assembly - Single Brewer



TABLE 65. BARREL ASSEMBLY - SINGLE BREWER

INDEX	PART NUMBER	DESCRIPTION	QTY.
-	6234328	BARREL ASSEMBLY - SINGLE BREWER	REF
1	6134152	MANIFOLD ASSEMBLY - HOSE-BREW BARREL (INCLUDES INDEX NUMBERS 2 THROUGH 10)	1
2	6134192	PLUG BREWER MANIFOLD	1
3	6134178	MANIFOLD & INSERT ASSEMBLY - BREWER	1
4	6104193	QUAD RING SEAL	1
5	6204229	DEFLECTOR - MANIFOLD	1
6	6134197	TUBE - AIR JET	1
7	6106107	ROLL PIN	1
8	6134173	SHOULDER SCREW	2
9	6134155	VALVE - MANIFOLD - BREWER BARREL	1
10	6234305	LOWER INSERT ASSEMBLY - BREWER BARREL (INCLUDES INDEX NUMBERS 11 THROUGH 14)	1
11	6104193	QUAD RING SEAL	1
12	6234375	SEAL - BREWER	1
13	6104181	LOWER INSERT BREWER BARREL	1
14	6234302	SCREEN - BREWER BARREL	1
15	6104184	BREWER BARREL	1
16	6104193	QUAD RING SEAL	1
17	6234213	EXTENSION - BREWER BARREL	1
18	6234207	TUBE - .375 ID X.562 OD X.75 L	1



TABLE 66. RACK ASSEMBLY - SINGLE BREWER

INDEX	PART NUMBER	DESCRIPTION	QTY.
-	6234001	RACK ASSEMBLY - BREWER	REF.
1	6234222	ROLLER - BREWER	4
2	6234116	BASKET HOUSING ASSEMBLY (INCLUDES INDEX NUMBERS 3 THROUGH 6)	1
3	6234250	BASKET HOUSING & WIPER ASSEMBLY	1
4	6234278	BEARING - RETURN LEVER ROLLER	2
5	6234118	FLAT SPRING - BASKET HOUSING	1
6	6204211	SCREW - #6 - 32 X 1/4 PHS T/C SS	1
7	6234256	SPRING - FLIP	2
8	6234261	ROLLER LINKAGE ASSEMBLY - RIGHT	1
9	6234275	RACK ASSEMBLY - RIGHT - BREWER	1
10	6234110	SHAFT - FLIP	1
11	6234295	SCREW - #8 - 32X.38 HHS W/LW	4
12	6234120	BRACKET ASSEMBLY - RACK	1
13	6234274	RACK ASSEMBLY - LEFT - BREWER	1
14	6234260	ROLLER LINKAGE ASSEMBLY - LEFT	1
15	6234292	RETURN LEVER ROLLER ASSEMBLY	2

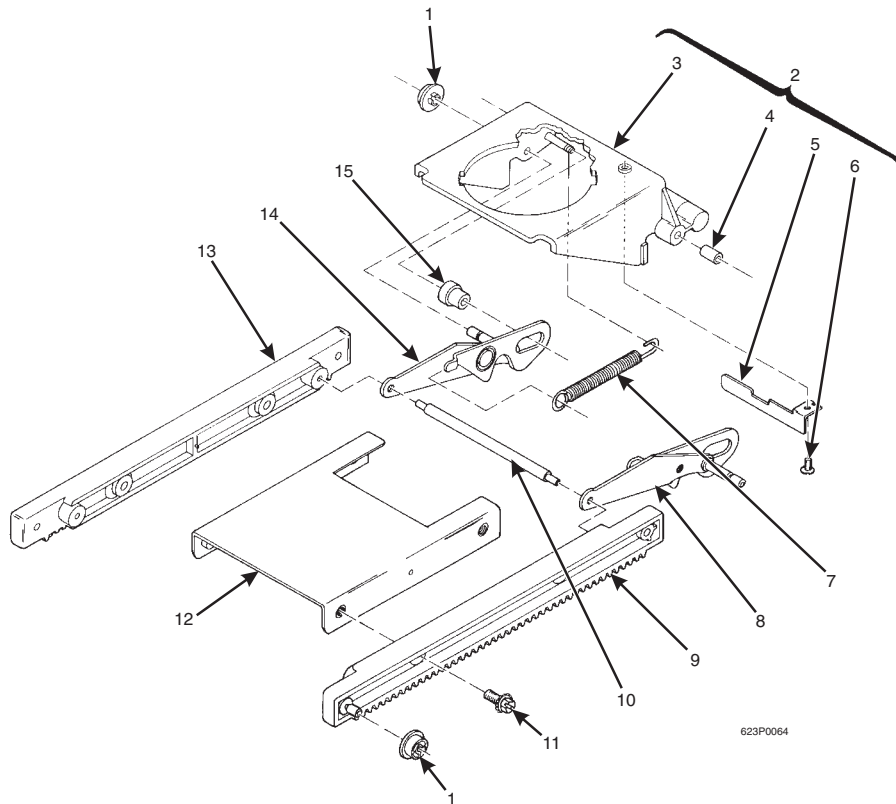


Figure 66 . Rack Assembly - Single Brewer



TABLE 67. PAPER MECHANISM ASSEMBLY - SINGLE BREWER

INDEX	PART NUMBER	DESCRIPTION	QTY.
-	6234600	PAPER MECHANISM ASSEMBLY - SINGLE BREWER	REF.
1	6234626	PAPER MECH. HOUSING	1
2	6234612	SHAFT - PAPER MECH.	2
3	6234614	COMPRESSION SPRING - PAPER MECH SHAFT	2
4	6234628	WASHER-PAPER MECH.	2
5	6234620	ROLLER END CAP - PAPER MECH	4
6	6234619	PAPER ROLLER EXTRUSION	1
7	6234603	ROLLER DRIVE - PAPER MECH	1
8	6234634	TUBE-6108098 - .50 LG.	2
9	6234615	SPRING - PAPER MECH RATCHET	1
10	6234607	RATCHET - PAPER MECH.	2

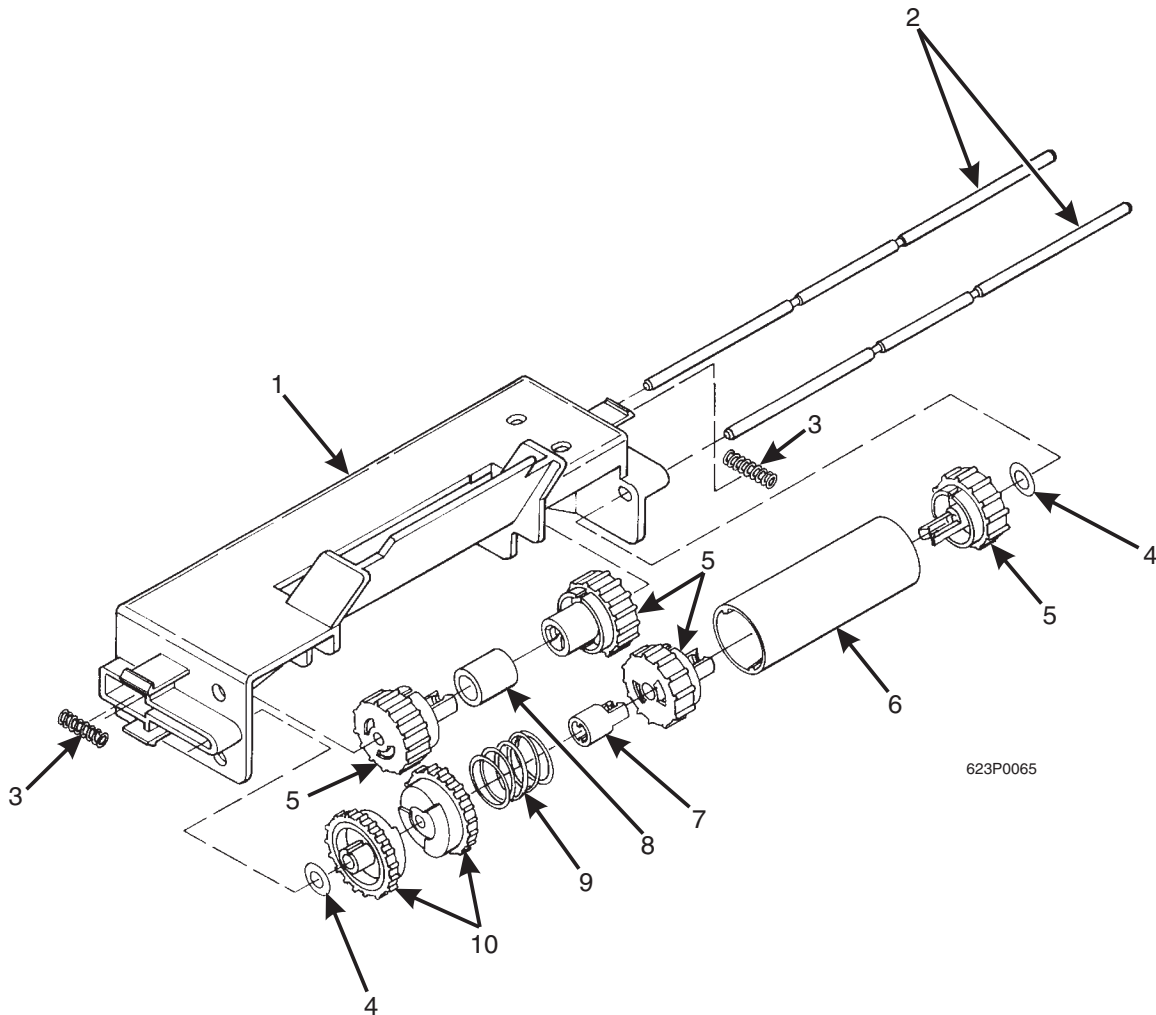


Figure 67. Paper Mechanism Assembly - Single Brewer

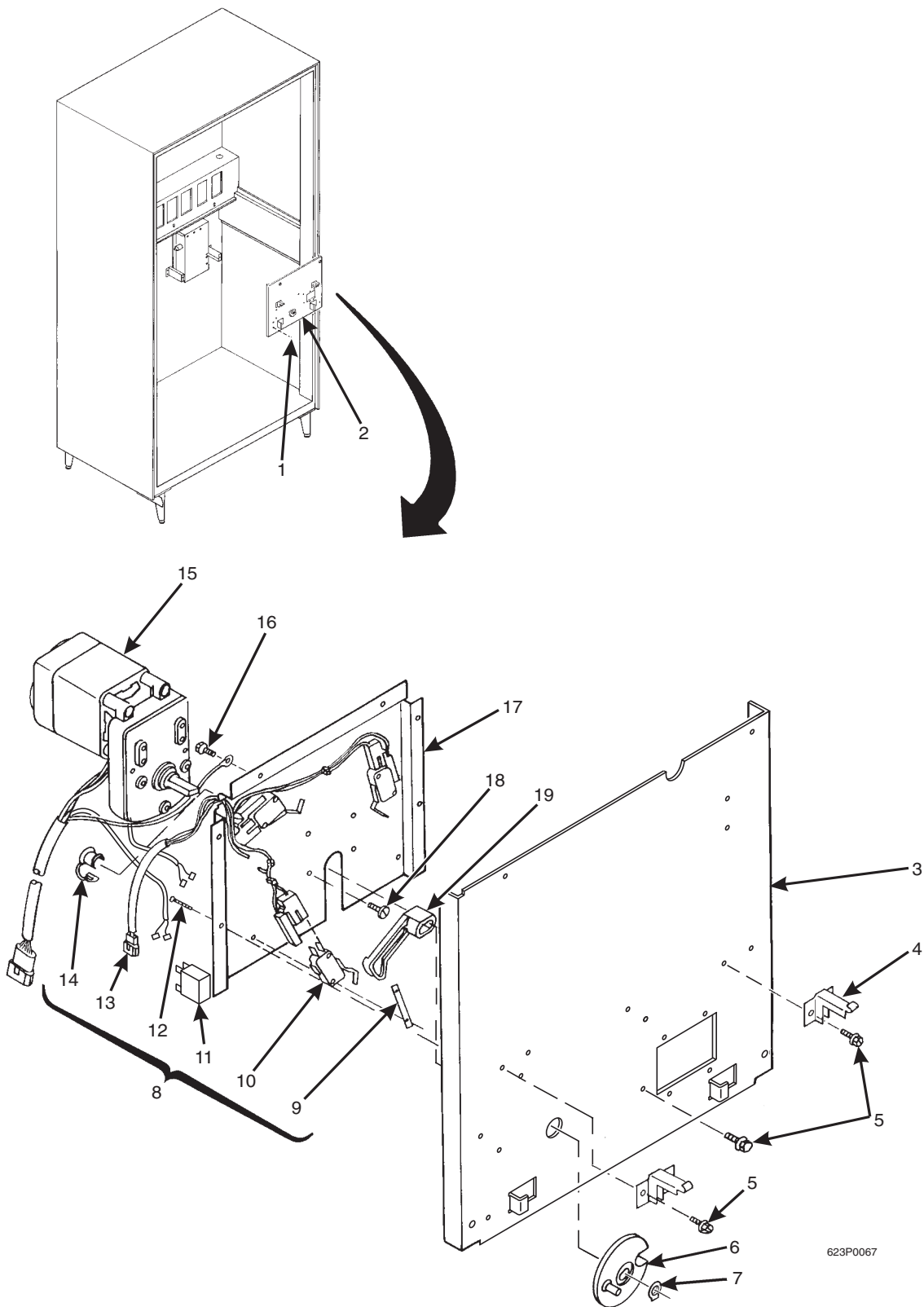


Figure 68. Brewer Drive Assembly



TABLE 68. BREWER DRIVE ASSEMBLY

INDEX	PART NUMBER	DESCRIPTION	QTY.
1	-	MOUNTING HARDWARE	-
2	6334005	BREWER DRIVE ASSEMBLY - SINGLE - 115 V (INCLUDES INDEX NUMBERS 3 THROUGH 8) (BRZ./ MEX./ U.S.)	1
	6334002	BREWER DRIVE ASSEMBLY - SINGLE - 230 V (INCLUDES INDEX NUMBERS 3 THROUGH 8) (ARG./ FR./ GER./ N.Z./ SP./ U.K.)	
3	6234510	PANEL MOUNTING - BREWER	1
4	6234294	MOUNTING BRACKET - BREWER	2
5	1451097	SCREW - #8-32 X .31 HEX HD T.F. - BLACK BRACKET)	4
6	6234310	DRIVE CONNECTION - BREWER	1
7	6234303	RETAINING RING - .375 DIA.	1
8	6334007	SWITCH/MOTOR ASSEMBLY - 115V (INCLUDES INDEX NUMBERS 9 THROUGH 19) (BRZ./ MEX./ U.S.)	1
	6334001	SWITCH/MOTOR ASSEMBLY - 230 V (INCLUDES INDEX NUMBERS 9 THROUGH 19) (ARG./ FR./ GER./ N.Z./ SP./ U.K.)	
9	4302316	FASTENER - TWIN TYPE (1 EACH SWITCH)	3
10	6234279	SWITCH - BREWER	3
11	9988208	CAPACITOR - MOTOR RUN - 17 MF	1
12	1217160	SCREW, #4-40 X 5/8 RHS (2 EACH SWITCH)	6
13	6239016	HARNESS - SWITCH - BREWER	1
14	9985887	BUSHING - STRAIN RELIEF	1
15	6334012	MOTOR - BREWER - 115 V (BRZ./ MEX./ U.S.)	1
	6334011	MOTOR - BREWER - 230 V (ARG./ FR./ GER./ N.Z./ SP./ U.K.)	
16	3157060	SCREW, #8-32 X .31 HEX HD - T/F - W/LOCKING SERRATIONS	1
17	6234514	HOUSING - SWITCHES AND BREWER MOTOR	1
18	4245186	SCREW, #8-32 X 1/4 PHS - T/F	4
19	6234515	SWITCH - ACTUATOR	1



TABLE 69. FILTER PAPER HOUSING AND BRACKET ASSEMBLY

INDEX	PART NUMBER	DESCRIPTION	QTY.
-	3634018	FILTER PAPER HOUSING AND BRACKET ASSEMBLY	1
1	6404111	HOUSING - FILTER PAPER	1
2	6404054	COVER - PAPER HOUSING	1
3	6404060	LATCH - 1/4 TURN	1
4	6404061	HANDLE - 1/4 TURN	1
5	3631065	BRACKET - PAPER HOUSING	1
-	3634010	PAPER - FILTER - DRINK CTR-36RLS/CS (NOT SHOWN)	1
-	3634016	SPACER - FILTER PAPER (NOT SHOWN)	1

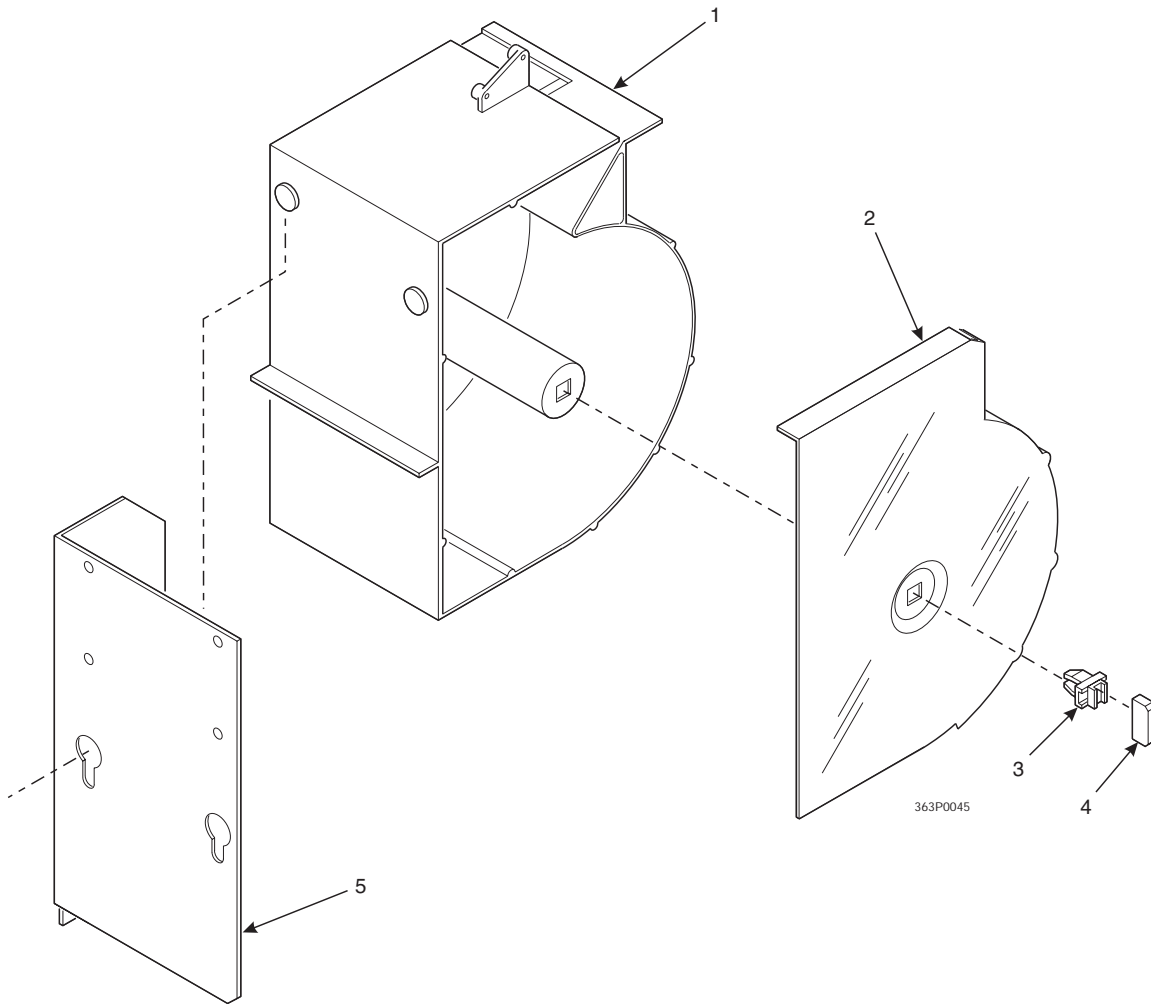
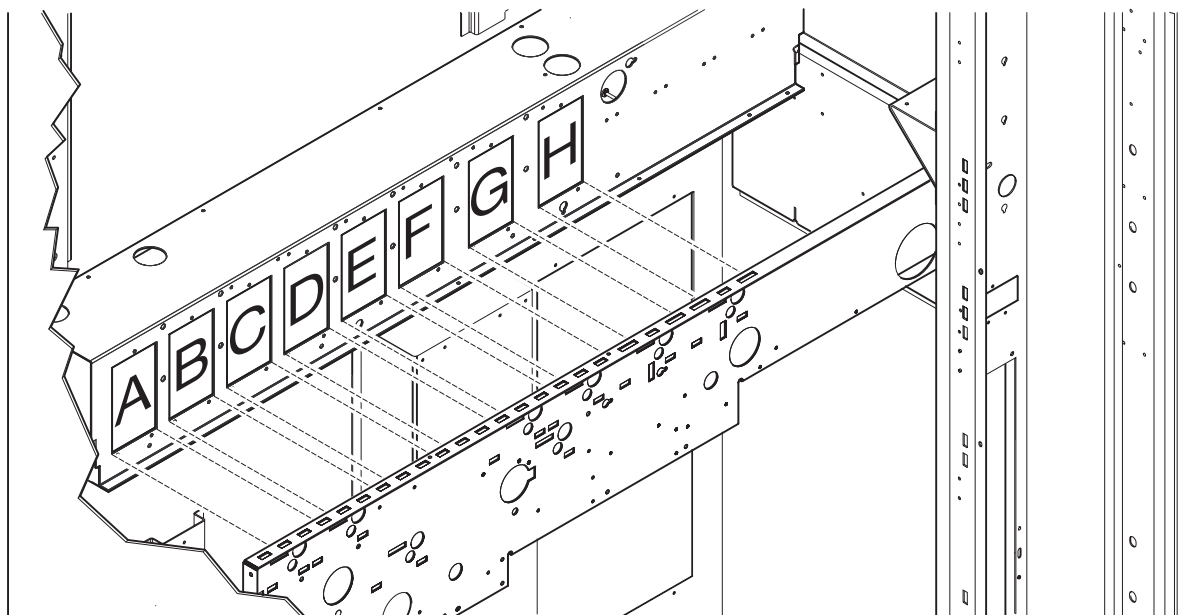


Figure 69. Filter Paper Housing and Bracket Assembly



TABLE 70. CANISTER POSITIONS

CANISTER POSITION	DETAIL FIGURE	DUAL CONDIMENT	INGREDIENT	CANISTER ASSEMBLY
A	54		HOT CHOCOLATE	6237447
B	55		INTERNATIONAL COFFEE	6237448
			SOUP	6237448
	61		SUGAR SUBSTITUTE	6237450
	54		APPLE CIDER	6237447
C	56		LIGHTENER	6237446
D	60		SUGAR	6237449
E	55		6TH PRODUCT	6237448
	56		LIGHTENER	6237446
F	61		TEA (FREEZE DRY)	6237450
	57		DECAF COFFEE (FREEZE DRY)	6237445
	60		SUGAR	6237449
G	58		COFFEE (FRESH BREW)	6237435
	57		COFFEE (FREEZE DRY)	6237445
	56		DECAF COFFEE (FRESH BREW)	6337023
	54		DECAF COFFEE (FREEZE DRY)	6237447
H	58		COFFEE (FRESH BREW)	6337023
	57		COFFEE (FREEZE DRY)	6237445
	59		LEAF TEA (FB LOW CAPACITY)	6237423



363P0071

Figure 70. Canister Positions

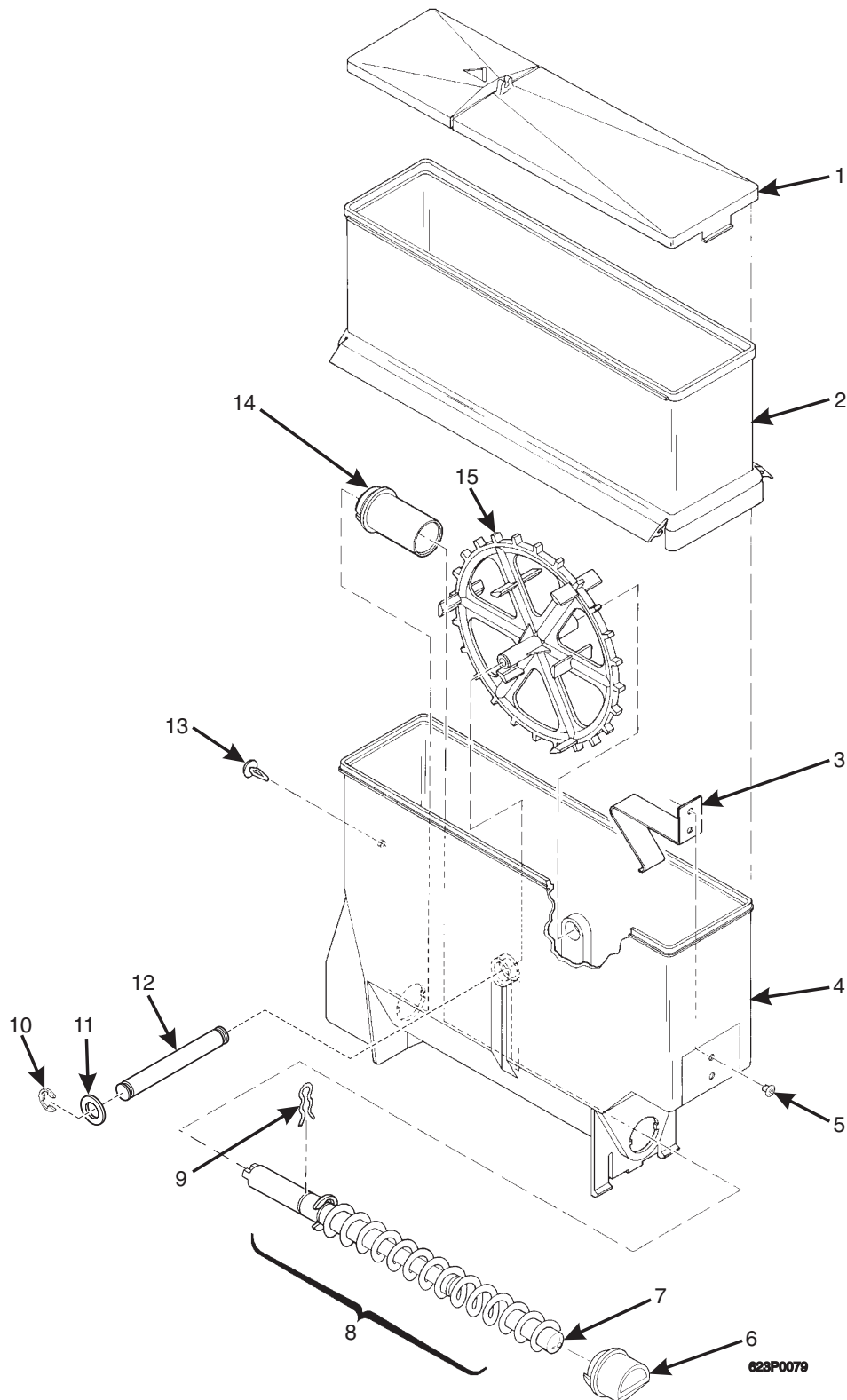


Figure 71. Canister Assembly 6237447



TABLE 71. CANISTER ASSEMBLY 6237447

INDEX	PART NUMBER	DESCRIPTION	QTY.
-	6237447	CANISTER ASSEMBLY - CHOCOLATE	-
1	6237023	LID - CANISTER	1
2	6237439	SLEEVE - CANISTER	1
3	6237108	SPRING - THUMPER	1
4	6237177	BASE - CANISTER - THUMPER	1
5	6237019	ALUMINUM "POP" RIVET - .187 DIA	2
6	6237080	NOZZLE - DISPENSING - F.D. COFFEE	1
7	6237046	PLUG - AUGER	1
8	6237178	AUGER AND SHAFT ASSEMBLY	1
9	6337020	CLIP - SPRING	1
10	9900415	RETAINING RING REINF E TYP.1	2
11	6237116	WASHER-SEAL-WEAR PLATE	2
12	6237167	SHAFT-CANISTER	1
13	6237053	FASTENER - PUSH IN	1
14	6237014	BEARING - CANISTER	1
15	6237181	MIXING WHEEL	1

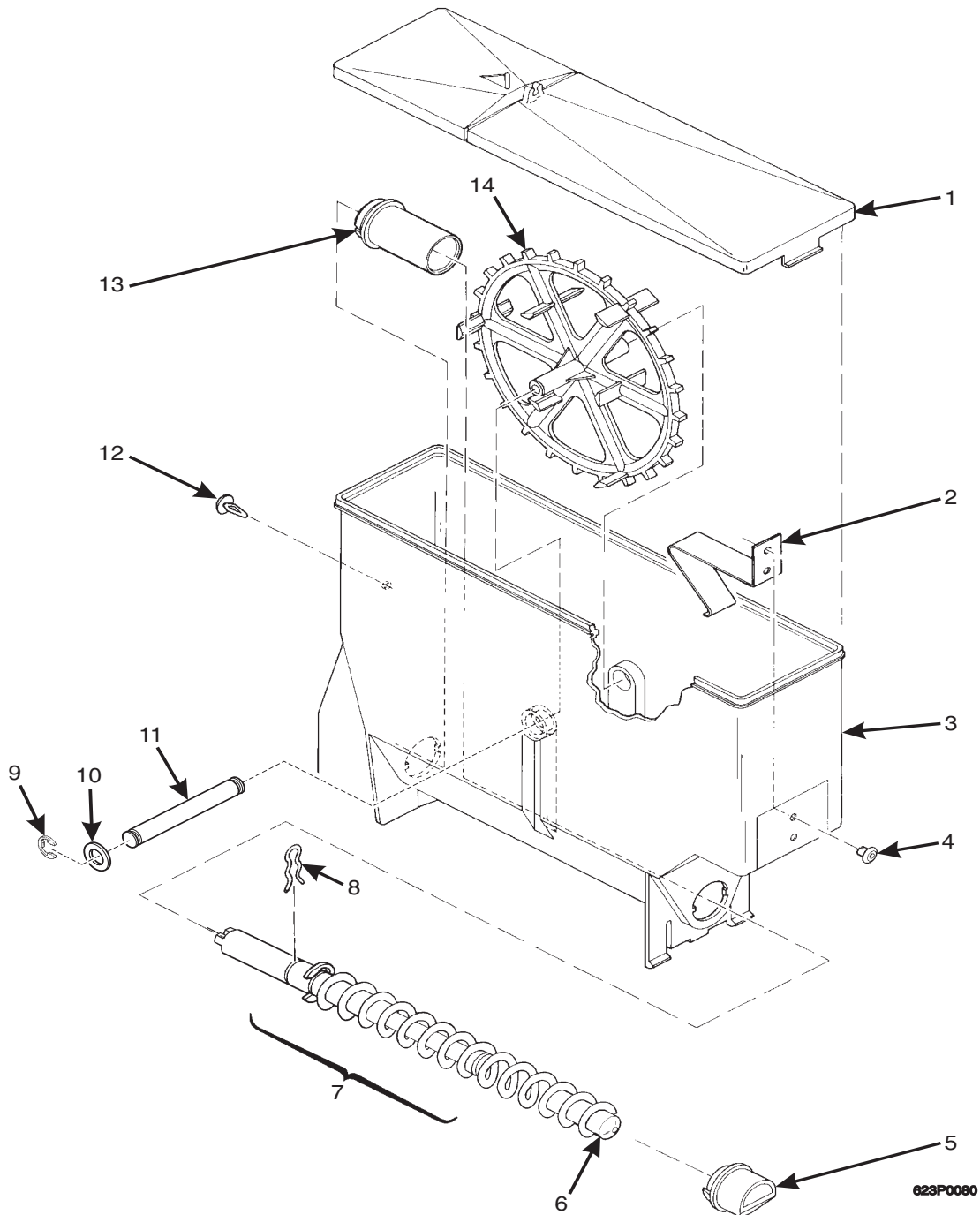


Figure 72. Canister Assembly 6237448



TABLE 72. CANISTER ASSEMBLY 6237448

INDEX	PART NUMBER	DESCRIPTION	QTY.
-	6237448	CANISTER ASSEMBLY - SOUP/6TH PRODUCT	-
1	6237023	LID - CANISTER	1
2	6237108	SPRING - THUMPER	1
3	6237177	BASE - CANISTER - THUMPER	1
4	6237019	ALUMINUM "POP" RIVET - .187 DIA	2
5	6237080	NOZZLE - DISPENSING - CANISTER	1
6	6237046	PLUG - AUGER	1
7	6237178	AUGER AND SHAFT ASSEMBLY (INCLUDES INDEX NUMBERS 8 THROUGH 11)	1
8	6237026	CLIP - SPRING	1
9	9900415	RETAINING RING REINF E TYP.1	2
10	6237116	WASHER - SEAL - WEAR PLATE	2
11	6237167	SHAFT-CANISTER	1
12	6237053	FASTENER - PUSH IN	1
13	6237014	BEARING - CANISTER	1
14	6237181	MIXING WHEEL	1

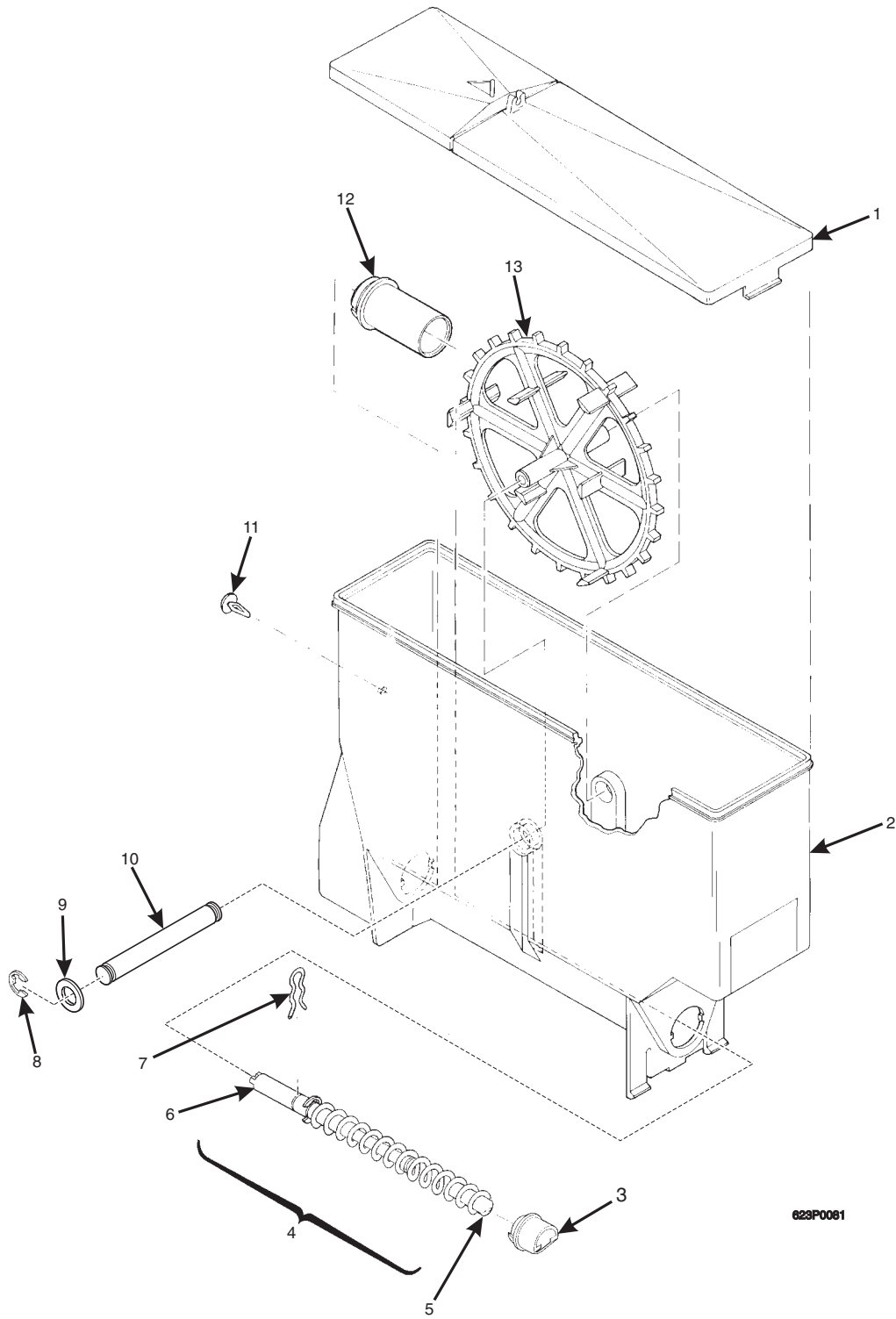


Figure 73. Canister Assembly 6237446



TABLE 73. CANISTER ASSEMBLY 6237446

INDEX	PART NUMBER	DESCRIPTION	QTY.
-	6237446	CANISTER ASSEMBLY - LIGHTENER	-
1	6237023	LID - CANISTER	1
2	6237176	BASE - CANISTER	1
3	6237106	NOZZLE - DISPENSING - CANISTER	1
4	6237180	PLUG AND AUGER ASSEMBLY (INCLUDES INDEX NUMBERS 5 AND 6)	1
5	6237046	PLUG - AUGER	1
6	6237179	AUGER ASSEMBLY	1
7	6337020	CLIP - SPRING	1
8	9900415	RETAINING RING REINF E TYP.1	2
9	6237116	WASHER - SEAL - WEAR PLATE	2
10	6237167	SHAFT - CANISTER	1
11	6237053	FASTENER - PUSH IN	1
12	6237014	BEARING - CANISTER	1
13	6237181	MIXING WHEEL	1

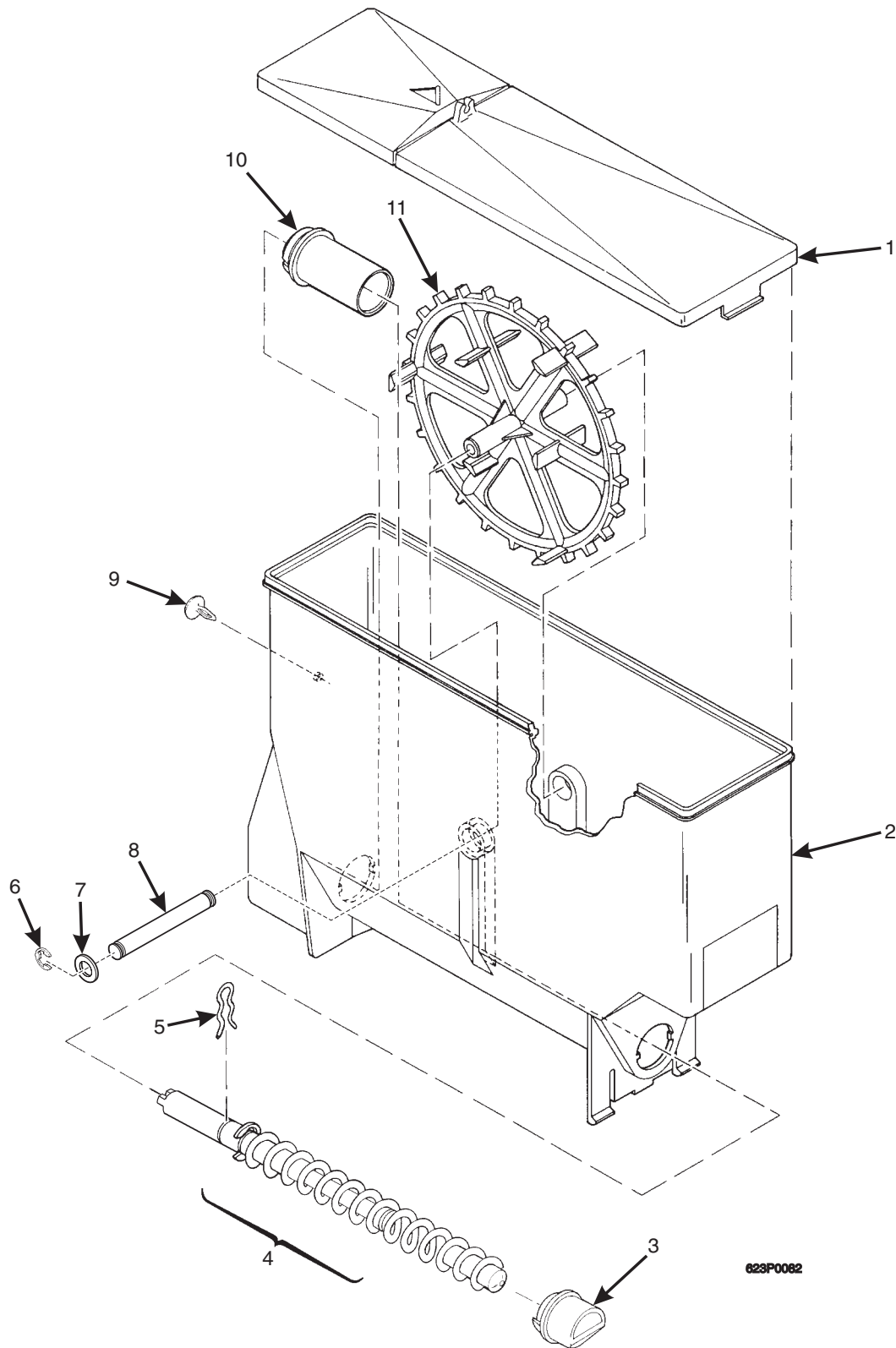


Figure 74. Canister Assembly 6237445



TABLE 74. CANISTER ASSEMBLY 6237445

INDEX	PART NUMBER	DESCRIPTION	QTY.
-	6237445	CANISTER ASSEMBLY - FREEZE DRY COFFEE	-
1	6237023	LID - CANISTER	1
2	6237176	BASE - CANISTER	1
3	6237080	NOZZLE - DISPENSING - CANISTER	1
4	6237178	AUGER AND SHAFT ASSEMBLY	1
5	6337020	CLIP - SPRING	1
6	9900415	RETAINING RING REINF E TYP.1	2
7	6237116	WASHER - SEAL - WEAR PLATE	2
8	6237167	SHAFT - CANISTER	1
9	9900415	RETAINING RING REINF E TYP.1	1
10	6237014	BEARING - CANISTER	1
11	6237181	MIXING WHEEL	1

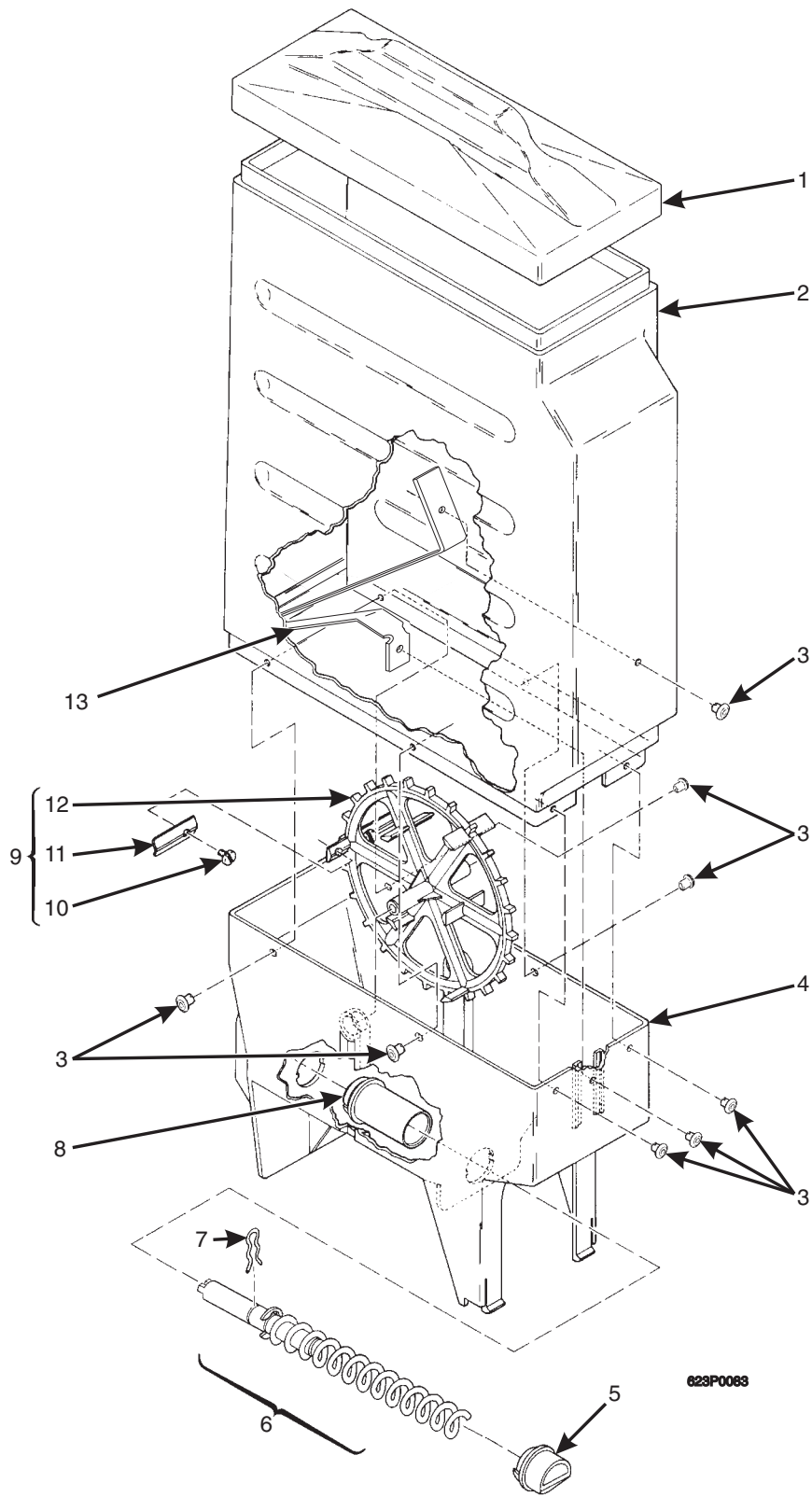


Figure 75. Canister Assembly 6337023



TABLE 75. CANISTER ASSEMBLY 6337023

INDEX	PART NUMBER	DESCRIPTION	QTY.
-	6337023	CANISTER ASSEMBLY - DECAF - FRESH BREW	-
1	6237069	LID - CANISTER	1
2	6337025	SLEEVE - CAN.	1
3	6237019	ALUMINUM "POP" RIVET - .187 DIA	8
4	6237062	CANISTER BASE	1
5	6237063	NOZZLE - DISPENSING - CANISTER	1
6	6337020	AUGER AND SHAFT ASSEMBLY	1
7	6237026	CLIP - SPRING	1
8	6237014	BEARING - CANISTER	1
9	6337030	MIXING WHEEL ASSEMBLY (INCLUDES INDEX NUMBERS 10 THROUGH 12)	1
10	6237049	SCREW, #8-16 X .25 - SLTD - PHS	2
11	6237003	EXTENSION - WHEEL	2
12	6337031	MIXING WHEEL	1
13	6237020	SPRING - GROUND COFFEE	1

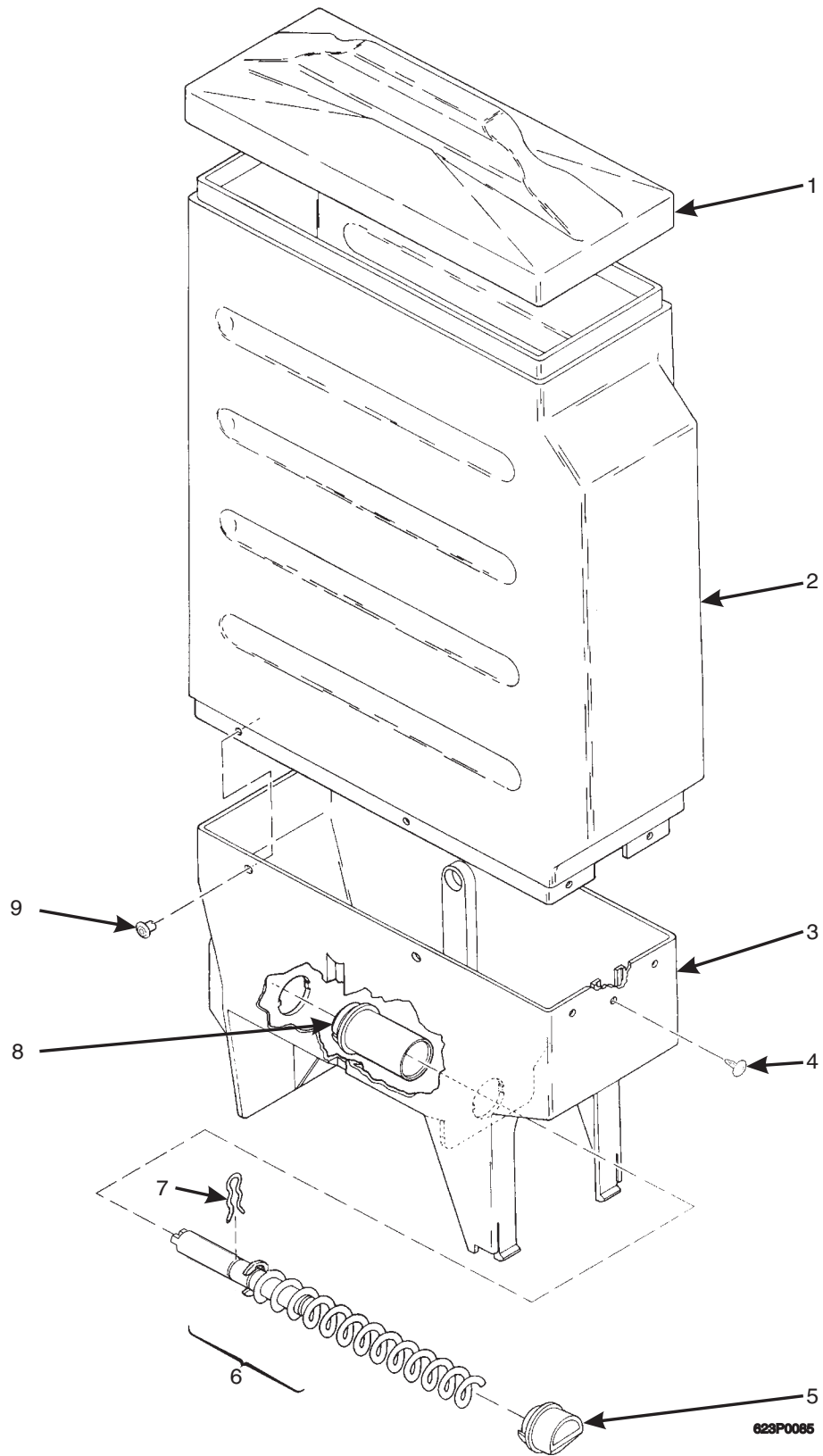


Figure 76. Canister Assembly 6237423



TABLE 76. CANISTER ASSEMBLY 6237423

INDEX	PART NUMBER	DESCRIPTION	QTY.
-	6237423	CANISTER ASSEMBLY - LEAF TEA - LOW CAPACITY	-
1	6237069	LID - CANISTER	1
2	6337027	SLEEVE - CAN.	1
3	6237062	CANISTER BASE	1
4	6237053	FASTENER - PUSH IN	1
5	6237080	NOZZLE - DISPENSING - CANISTER	1
6	6237095	AUGER AND SHAFT ASSEMBLY	1
7	6337020	CLIP - SPRING	1
8	6237014	BEARING - CANISTER	1
9	6237019	ALUMINUM "POP" RIVET - .187 DIA	6

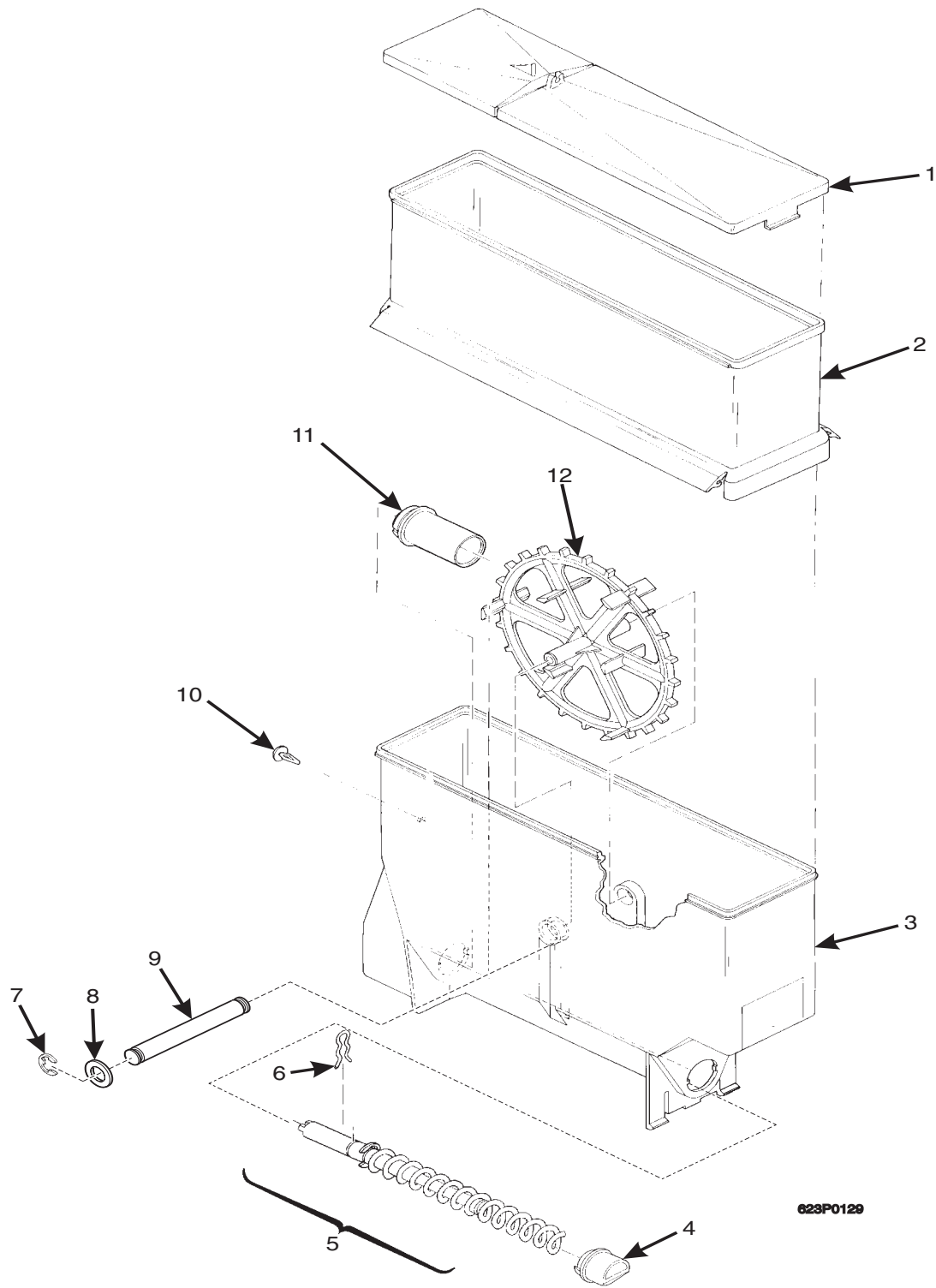


Figure 77. Canister Assembly 6237449



TABLE 77. CANISTER ASSEMBLY 6237449

INDEX	PART NUMBER	DESCRIPTION	QTY.
-	6237449	CANISTER ASSEMBLY - 1 SLV - W/MIXING	-
1	6237023	LID - CANISTER	1
2	6237008	SLEEVE - CANISTER 4 IN	1
3	6237176	BASE - CANISTER	1
4	6237063	NOZZLE-DISPENSING-CANISTER	1
5	6237178	AUGER AND SHAFT ASSEMBLY	1
6	6337020	CLIP - SPRING	1
7	9900415	RETAINING RING REINF E TYP.1	2
8	6237116	WASHER-SEAL-WEAR PLATE	2
9	6237167	SHAFT-CANISTER	1
10	6237053	FASTENER - PUSH IN	1
11	6237014	BEARING - CANISTER	1
12	6237181	MIXING WHEEL	1

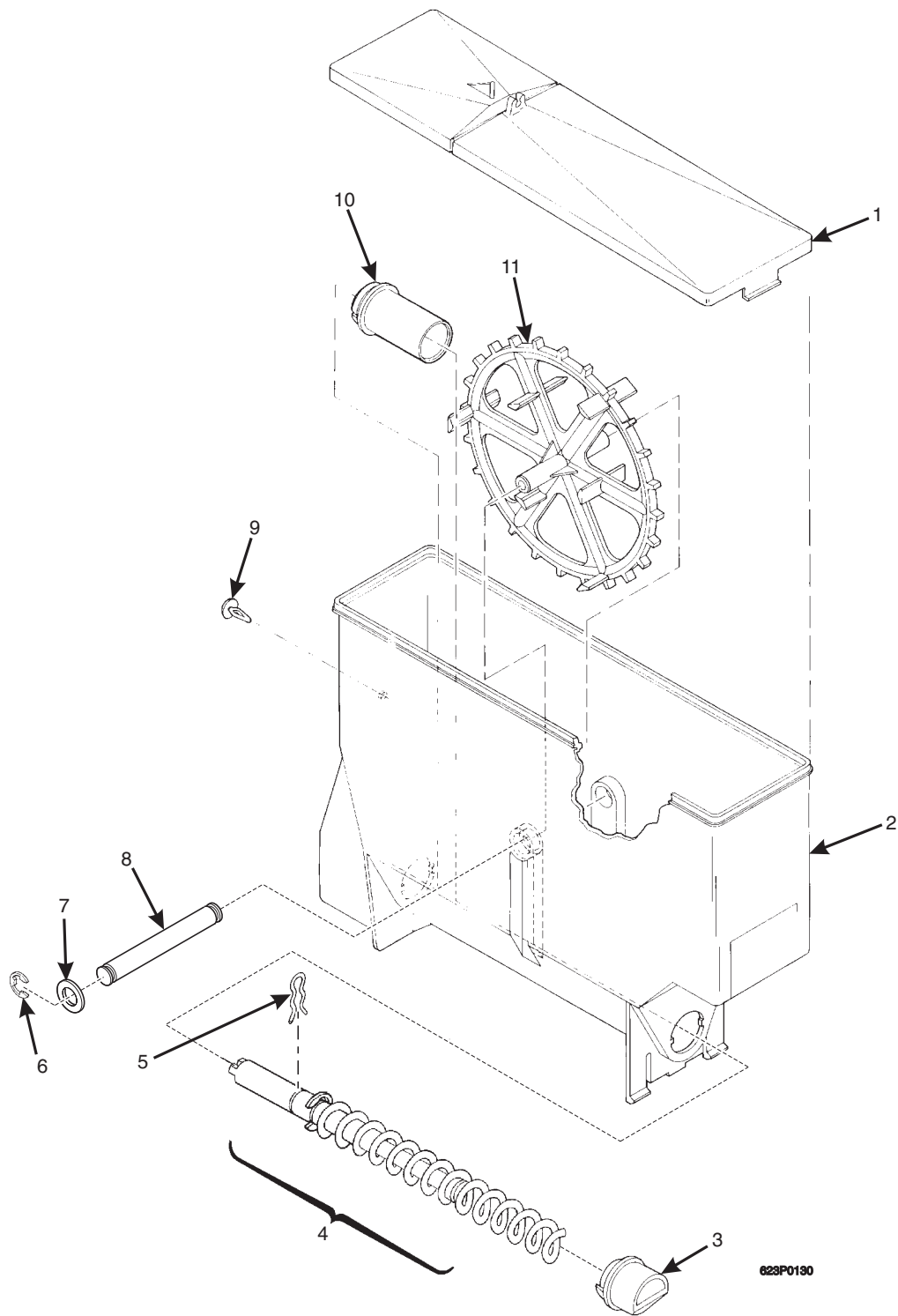


Figure 78. Canister Assembly 6237450



TABLE 78. CANISTER ASSEMBLY 6237450

INDEX	PART NUMBER	DESCRIPTION	QTY.
-	6237450	CANISTER ASSEMBLY - NO SLV - W/WHEEL	-
1	6237023	LID - CANISTER	1
2	6237176	BASE - CANISTER	1
3	6237063	NOZZLE - DISPENSING - CANISTER	1
4	6237178	AUGER & SHAFT ASSEMBLY	1
5	6337020	CLIP - SPRING	1
6	9900415	RETAINING RING REINF E TYP.1	2
7	6237116	WASHER - SEAL - WEAR PLATE	2
8	6237167	SHAFT - CANISTER	1
9	6237053	FASTENER - PUSH-IN	1
10	6237014	BEARING - CANISTER	1
11	6237181	MIXING WHEEL	1

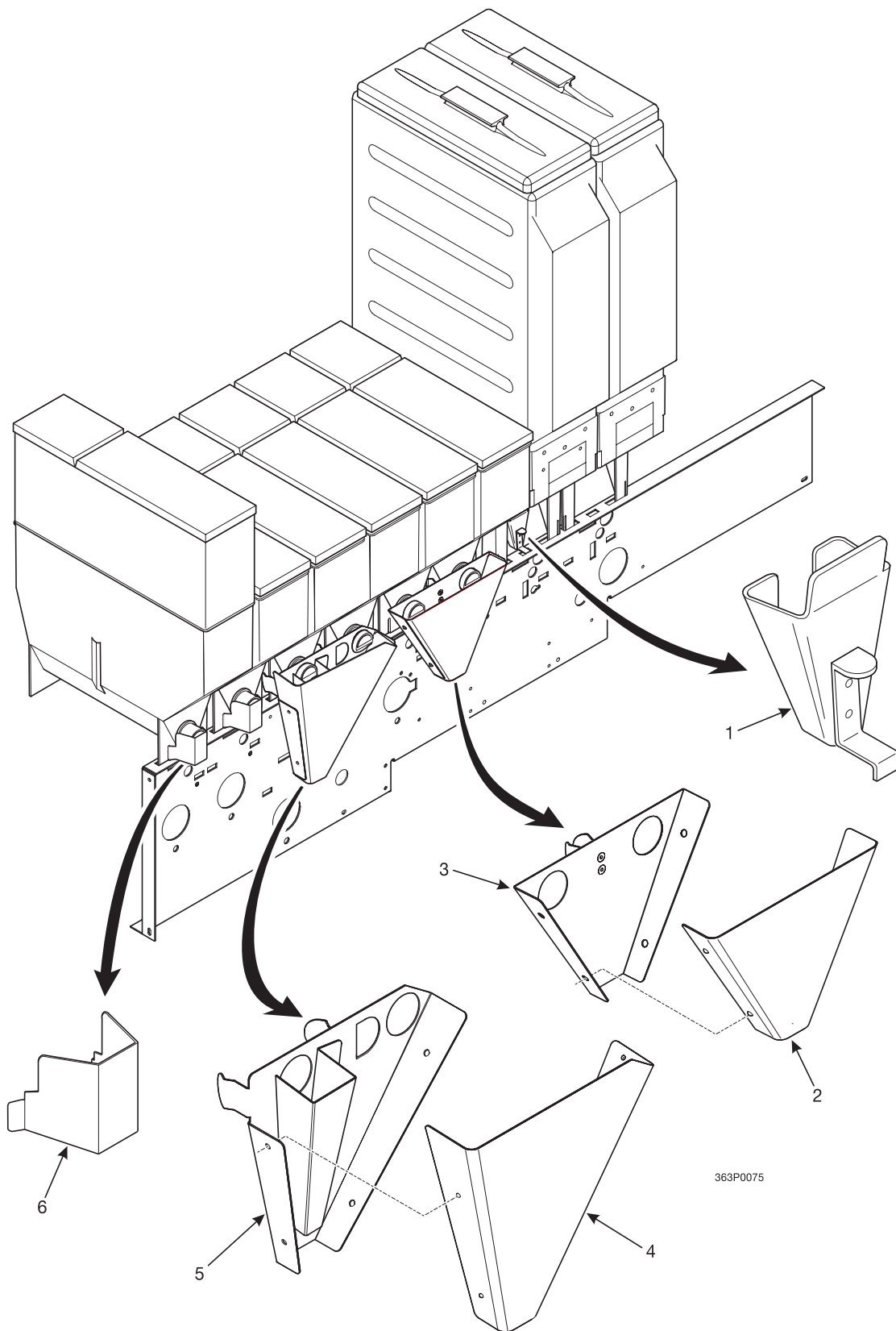
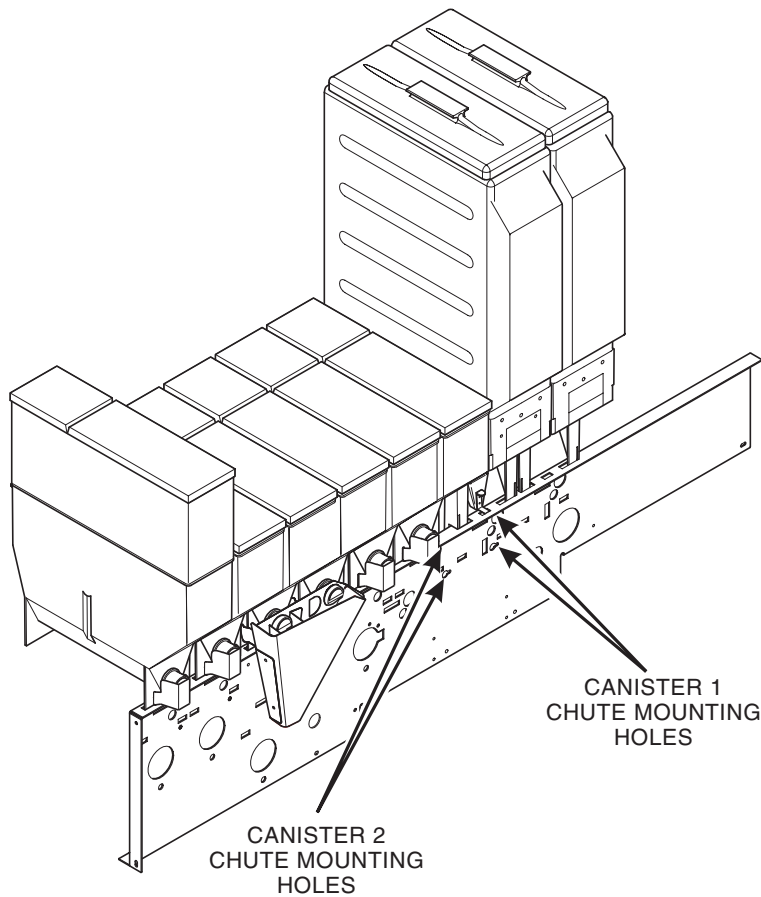


Figure 79. Product and Condiment Chutes

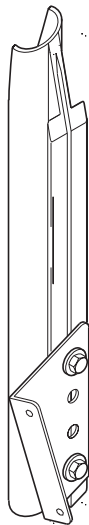


TABLE 79. PRODUCT AND CONDIMENT CHUTES

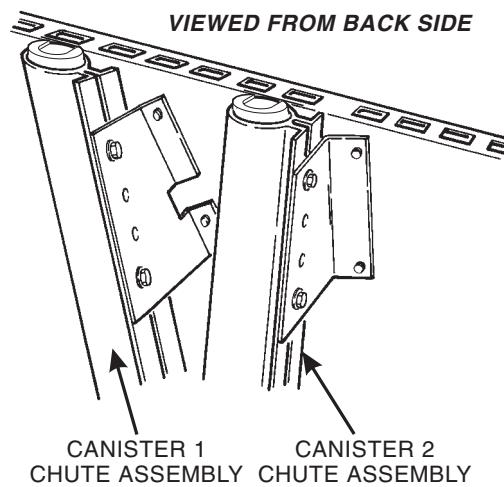
INDEX	PART NUMBER	DESCRIPTION	QTY.
1	6237241	CHUTE ASSEMBLY - PREGROUND COFFEE	1
2	6337052	COVER - INGREDIENT CHUTE (TEA) (DUAL CONDIMENT ONLY)	1
3	6337054	CHUTE ASSEMBLY - 2 INGREDIENT (TEA) (DUAL CONDIMENT ONLY)	1
4	6367005	COVER - INGREDIENT CHUTE - 2 PRODUCT	1
5	6367006	CHUTE ASSEMBLY - 2 PRODUCT	1
6	6337015	BRACKET - DEFLECTOR - CHOCOLATE	1



6237293 DETAIL



6237281 DETAIL



363P0109

COFFEE BREWER DELIVERY CHUTES - SEE TABLE FOR USAGE

Figure 80. Product Delivery Chute Assembly Usage



TABLE 80. PRODUCT DELIVERY CHUTE ASSEMBLY USAGE

	CANISTER 2	CANISTER 1
TYPE OF PRODUCT	FREEZE DRIED COFFEE OR FREEZE DRIED TEA	PRE-GROUND COFFEE OR LEAF TEA
CHUTES USED (BY PART NUMBER)	NO CHUTES PRESENT	6237241 6237287
TYPE OF PRODUCT	FREEZE DRIED COFFEE OR FREEZE DRIED TEA	FREEZE DRIED COFFEE OR FREEZE DRIED TEA
CHUTES USED (BY PART NUMBER)	6337015	6337015
TYPE OF PRODUCT	PRE-GROUND COFFEE OR LEAF TEA	PRE-GROUND COFFEE OR LEAF TEA
CHUTES USED (BY PART NUMBER)	6237241 6237281	6237241 6237293
TYPE OF PRODUCT	FREEZE DRIED COFFEE OR FREEZE DRIED TEA	
CHUTES USED (BY PART NUMBER)	6337015	

TABLE 80 A. DELIVERY CHUTE 6237293 PARTS

PART NUMBER	DESCRIPTION	QTY.
3128092	SCREW HILO 7/19 X 3/8	2
6237276	CHUTE - DUAL - R.H.	1
6237277	TUBE BRACKET - R.H.	1

TABLE 80 B. DELIVERY CHUTE 6237281 PARTS

PART NUMBER	DESCRIPTION	QTY.
3128092	SCREW HILO 7/19 X 3/8	2
6237279	CHUTE - DUAL - L.H.	1
6237280	TUBE BRACKET - SINGLE BREW - L.H.	1

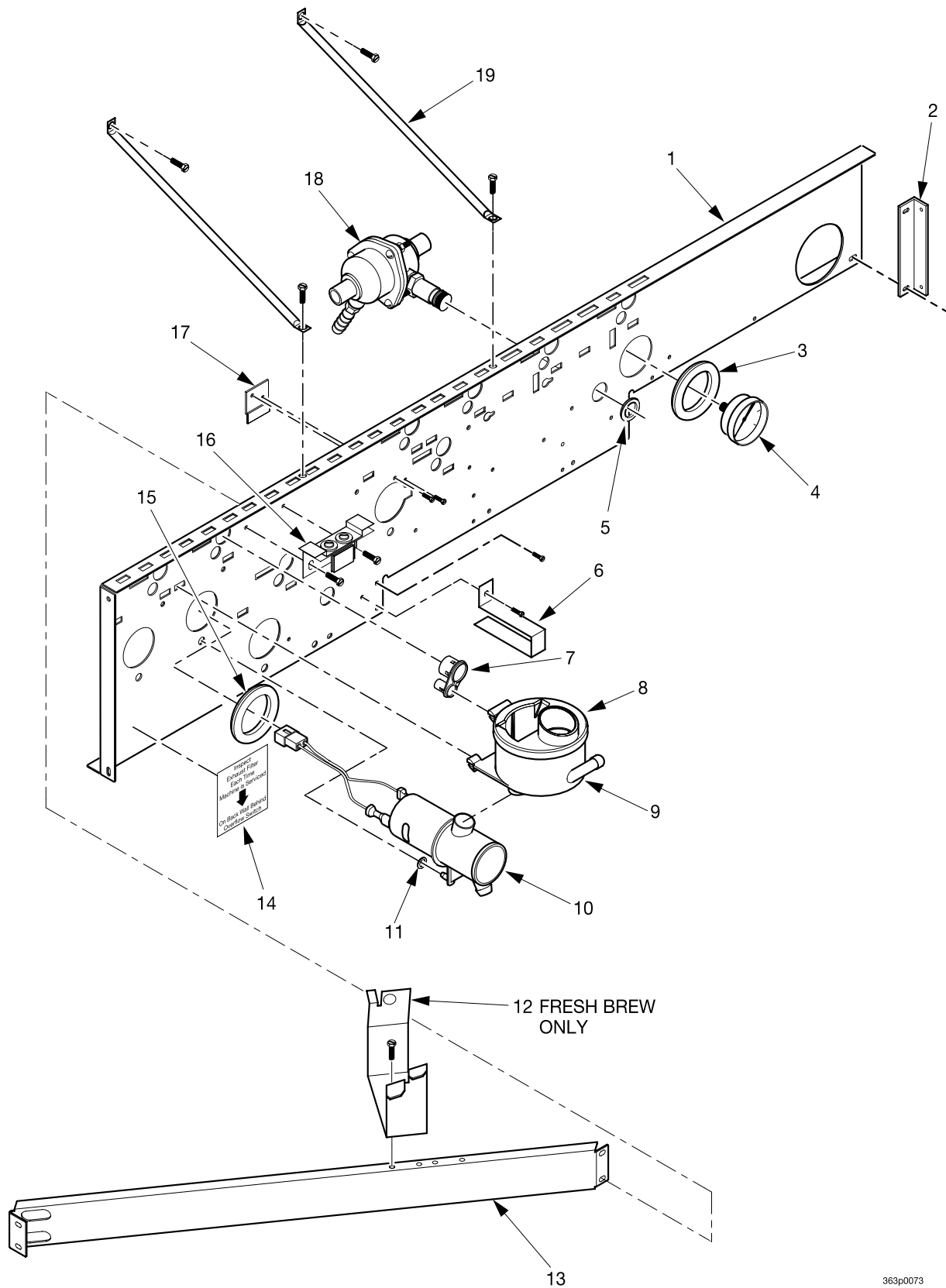


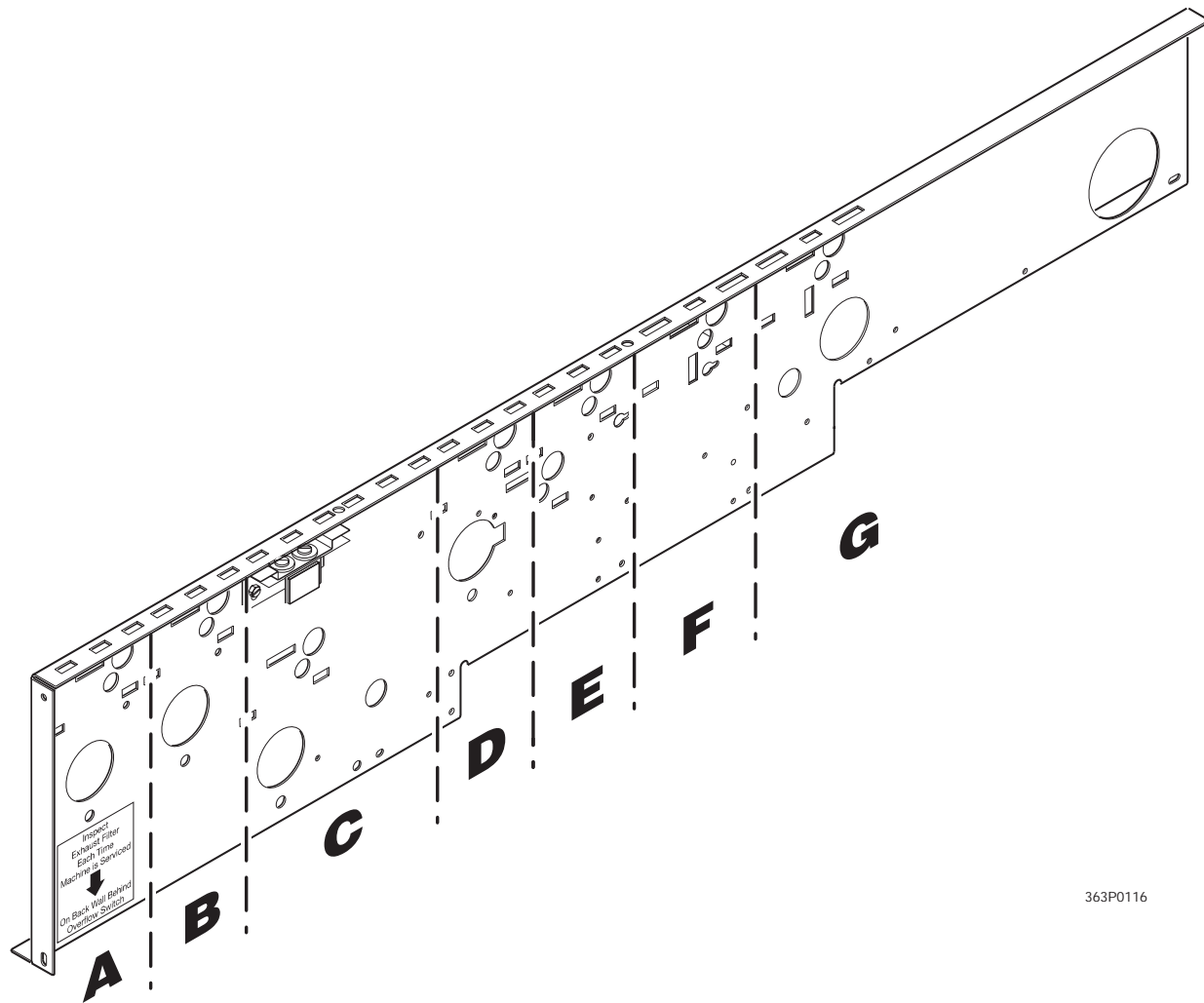
Figure 81. Canister Support Channel Assembly

363p0073



TABLE 81. CANISTER SUPPORT CHANNEL ASSEMBLY

INDEX	PART NUMBER	DESCRIPTION	QTY.
1	3631120	CHANNEL - CANISTER SUPPORT	1
2	6231033	BRACKET - CANISTER SUPPORT	1
3	6237051	GROMMET - GAUGE MOUNTING (FRESH BREW ONLY)	OPT.
4	6108065	GAUGE COMPRESSOR #FP-7 (FRESH BREW ONLY)	1
5	6237052	GROMMET - REGULATOR MOUNTING (FRESH BREW ONLY)	1
6	3638015	BRACKET - TUBING - SYRUP	6
7	6237315	RETAINER - TUBE - MIXING BOWL	1
8	6337060	VENT AND DIVIDER ASSEMBLY	1
9	6237118	MIXING BOWL	1
10	6237195	WHIPPER ASSEMBLY - DRINK	OPT.
11	2302223	GROMMET - 3/16	OPT.
12	6331009	BRACE - CANISTER SUPPORT	1
13	6337017	BRACKET - FLOW REGULATOR	1
14	6231169	LABEL - EXHAUST - FILTER INSP	1
15	6237115	GROMMET - WHIPPER MOUNTING	OPT.
16	6337057	CANISTER SUPPORT ASSEMBLY - LIGHTENER	1
17	6231154	ADAPTER - MIXING BOWL MOUNTING	OPT.
18	6234361	REGULATOR ASSEMBLY (FRESH BREW ONLY)	1
19	6231516	BRACE - CANISTER SUPPORT - UPPER	4



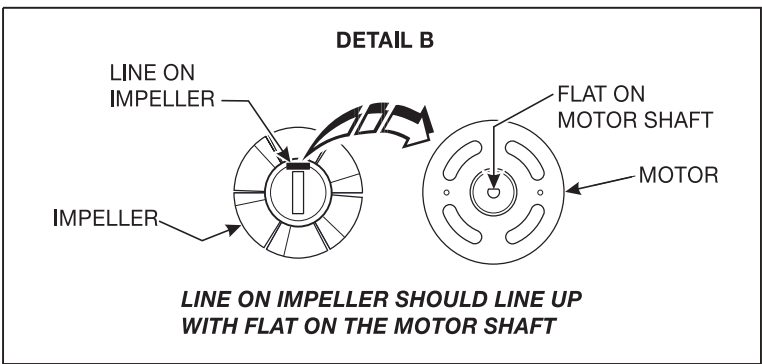
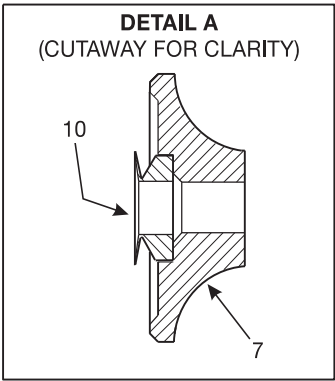
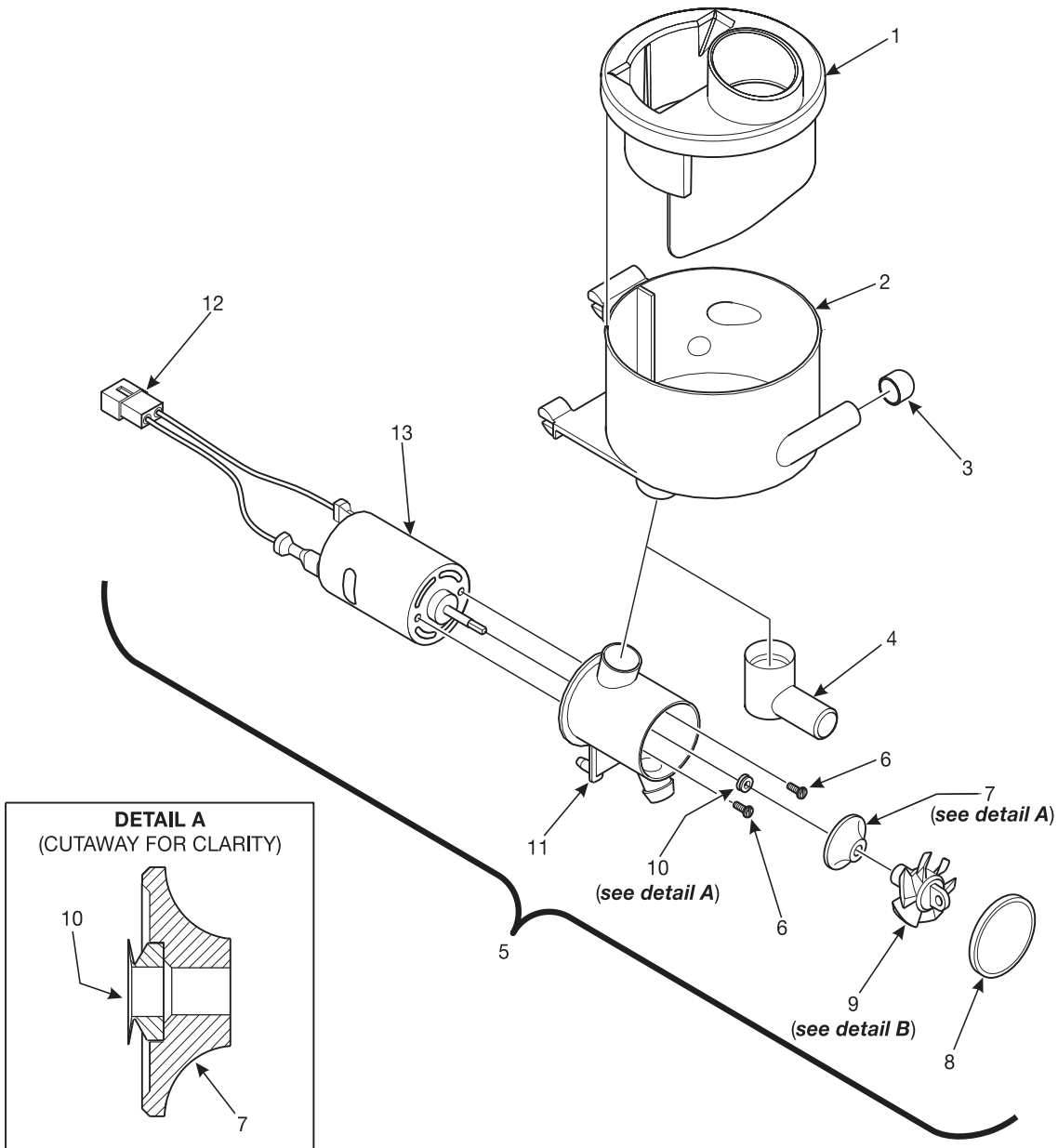
363P0116

Figure 82. Mixing Bowl and Whipper Positions



TABLE 82. MIXING BOWL AND WHIPPER POSITIONS

POSITION	SELECTION	WHIPPER	COMPONENT	QTY.	PART NO.
A	CHOCOLATE	YES	MIXING BOWL ASSEMBLY	1	6237127
			RETAINER TUBE - MIXING BOWL	1	6237315
			GROMMET - WHIPPER MOUNTING	1	6237115
			GROMMET 3/16	1	2302223
			WHIPPER ASSEMBLY	1	6237195
B	SOUP	YES	MIXING BOWL ASSEMBLY	1	6237127
			RETAINER TUBE - MIXING BOWL	1	6237315
			GROMMET - WHIPPER MOUNTING	1	6237115
			GROMMET 3/16	1	2302223
			WHIPPER ASSEMBLY	1	6237195
	INT'L COFFEE	NO	MIXING BOWL ASSEMBLY	1	6237125
			RETAINER TUBE - MIXING BOWL	1	6237315
CONDIMENT	N/A	NONE	1	-	
C	CONDIMENTS	YES	MIXING BOWL ASSEMBLY	1	6237128
			RETAINER TUBE - MIXING BOWL	1	6237315
			GROMMET - WHIPPER MOUNTING	1	6237115
			GROMMET 3/16	1	2302223
			WHIPPER ASSEMBLY	1	6237195
			MIXING BOWL ASSEMBLY	1	6237126
			RETAINER TUBE - MIXING BOWL	1	6237315
D	6TH PRODUCT	YES	MIXING BOWL ASSEMBLY	1	6237127
			RETAINER TUBE - MIXING BOWL	1	6237315
			GROMMET - WHIPPER MOUNTING	1	6237115
			GROMMET 3/16	1	2302223
			WHIPPER ASSEMBLY	1	6237195
		NO	MIXING BOWL ASSEMBLY	1	6237125
RETAINER TUBE - MIXING BOWL	1		6237315		
E	FREEZE DRY TEA	NO	MIXING BOWL ASSEMBLY	1	6237125
			RETAINER TUBE - MIXING BOWL	1	6237315
F	FREEZE DRY DECAF	NO	MIXING BOWL ASSEMBLY	1	6237125
	RETAINER TUBE - MIXING BOWL		1	6237315	
	FRESH BREW DECAF		NONE	1	-
	BEAN DECAF		NONE	1	-
G	FREEZE DRY COFFEE	NO	MIXING BOWL ASSEMBLY	1	6237125
	RETAINER TUBE - MIXING BOWL		1	6237315	
	FRESH BREW COFFEE		NONE	1	-
	BEAN COFFEE		NONE	1	-



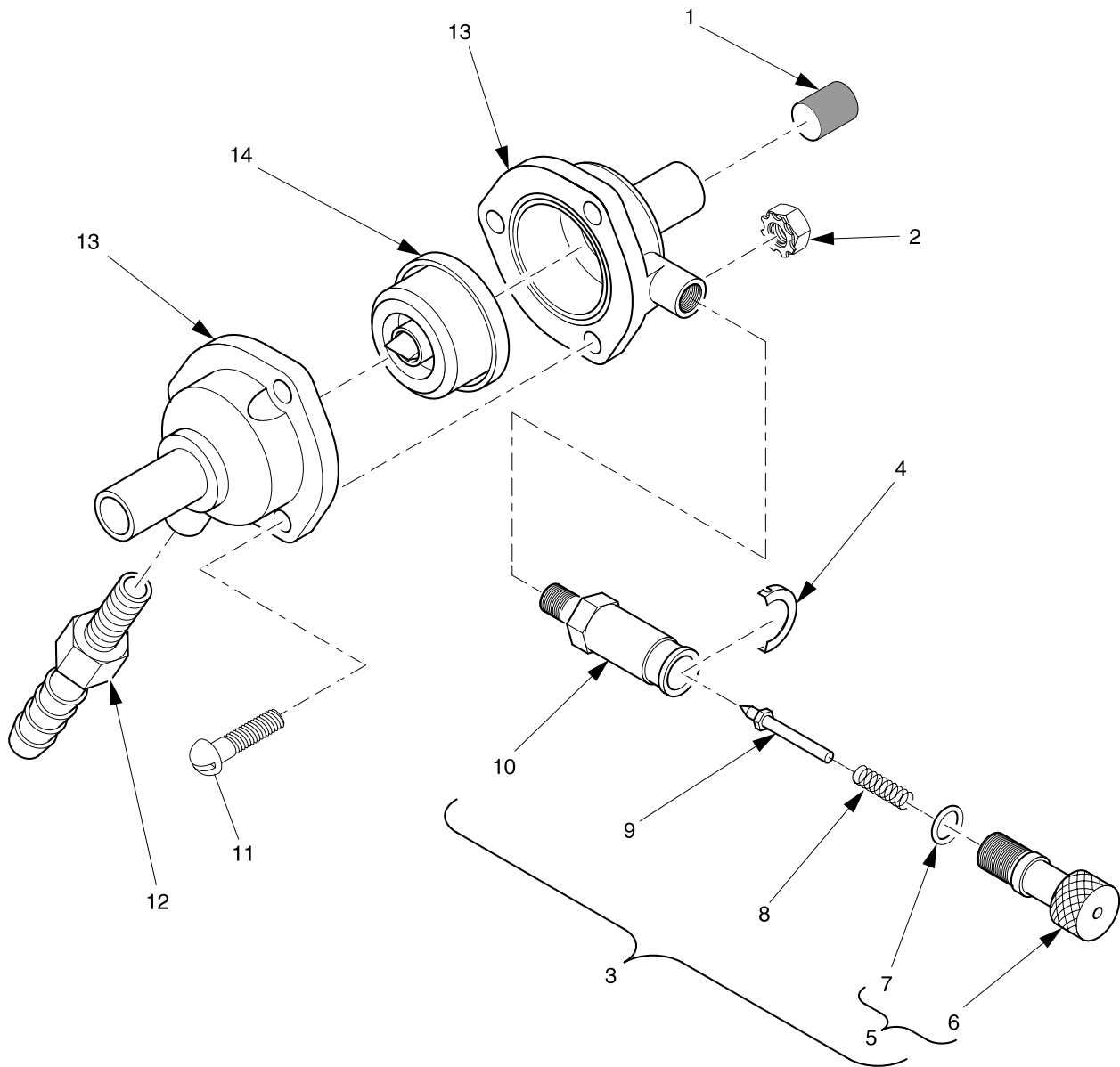
363P0074

Figure 83. Mixing Bowl and Whipper Assemblies



TABLE 83. MIXING BOWL AND WHIPPER ASSEMBLIES

INDEX	PART NUMBER	DESCRIPTION	QTY.
1	6337060	VENT AND DIVIDER ASSEMBLY	1
2	6237118	MIXING BOWL	1
3	6237306	VINYL CAP - .38 I.D.	OPT.
4	6237312	SPOUT - MIXING BOWL	OPT.
5	6237195	WHIPPER ASSEMBLY - DRINK (INCLUDES INDEX NUMBERS 6 - 13)	OPT.
6	6237119	SCREW - M3XL.5 - 6GX6MM - SPH	2
7	6237192	SPACER - WHIPPER	1
8	6237114	COVER - WHIPPER	1
9	6237194	IMPELLER - WHIPPER	1
10	6237110	V RING - SHAFT SEAL	1
11	6237193	HOUSING - WHIPPER	1
12	6237157	HARNESS - WHIPPER MOTOR	1
13	6237111	MOTOR - WHIPPER - 24V DC	1



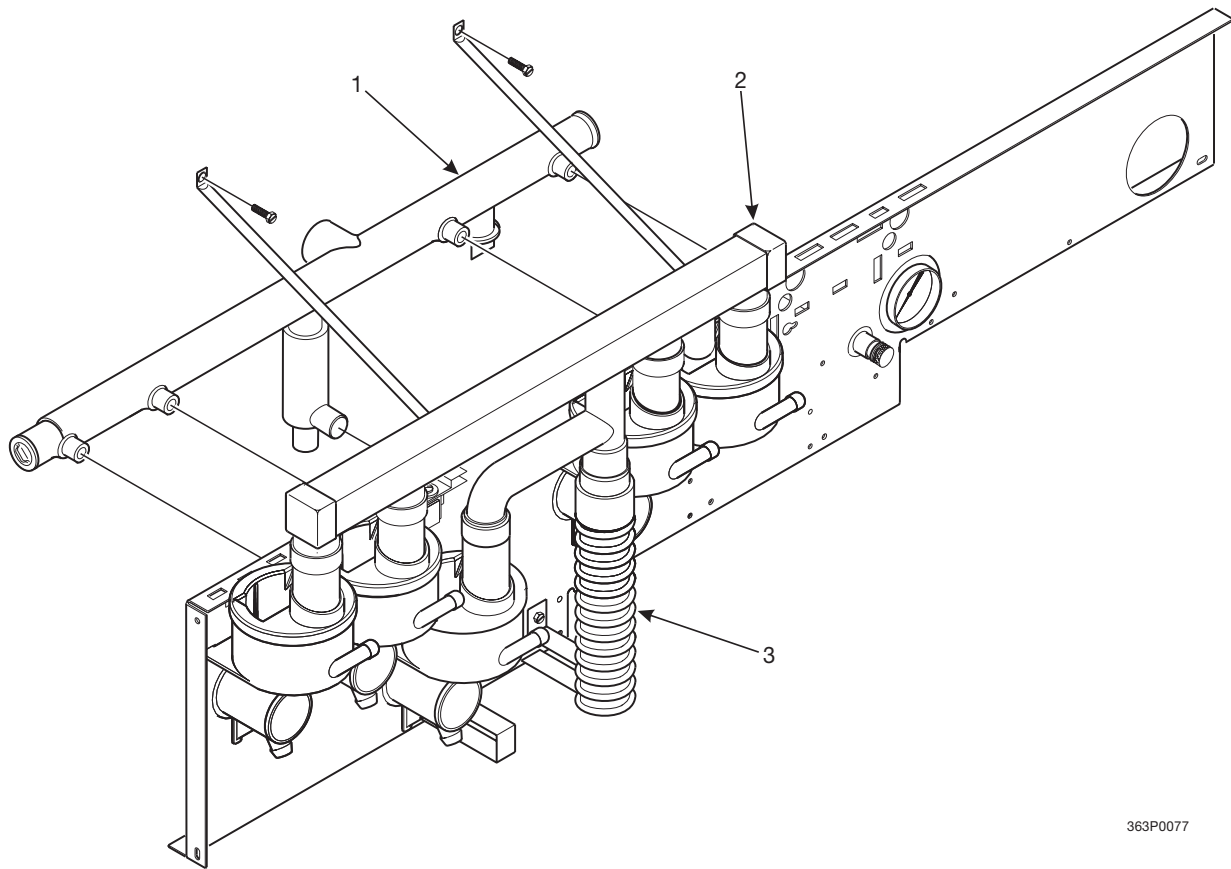
363p0072

Figure 84. Regulator Assembly



TABLE 84. REGULATOR ASSEMBLY

INDEX	PART NUMBER	DESCRIPTION	QTY.
-	6234981	REGULATOR ASSEMBLY	REF
1	6234335	FILTER - AIR REGULATOR	1
2	9900081	NUT, #8-32 X 3/4 RHS	3
3	6154284	CONTROL ASSEMBLY (INCLUDES INDEX NUMBERS 4 - 10)	1
4	6154285	RETAINER - ADJUSTER	1
5	6154289	ADJUSTER ASSEMBLY (INCLUDES INDEX NUMBERS 6 & 7)	1
6	6154290	ADJUSTER - CONTROL	1
7	6154232	O RING - .239 X .07	1
8	6154286	SPRING - PRESSURE CONTROL	1
9	6154287	PLUNGER - PRESSURE CONTROL	1
10	6154288	BODY - PRESSURE CONTROL	1
11	9900115	SCREW, #8-32 X 3/4 RHS	3
12	3167128	FITTING - PARKER # P4MCB2	1
13	6154214	BODY - REGULATOR	2
14	6334016	DIAPHRAGM AND RESTRICTOR ASSEMBLY	1



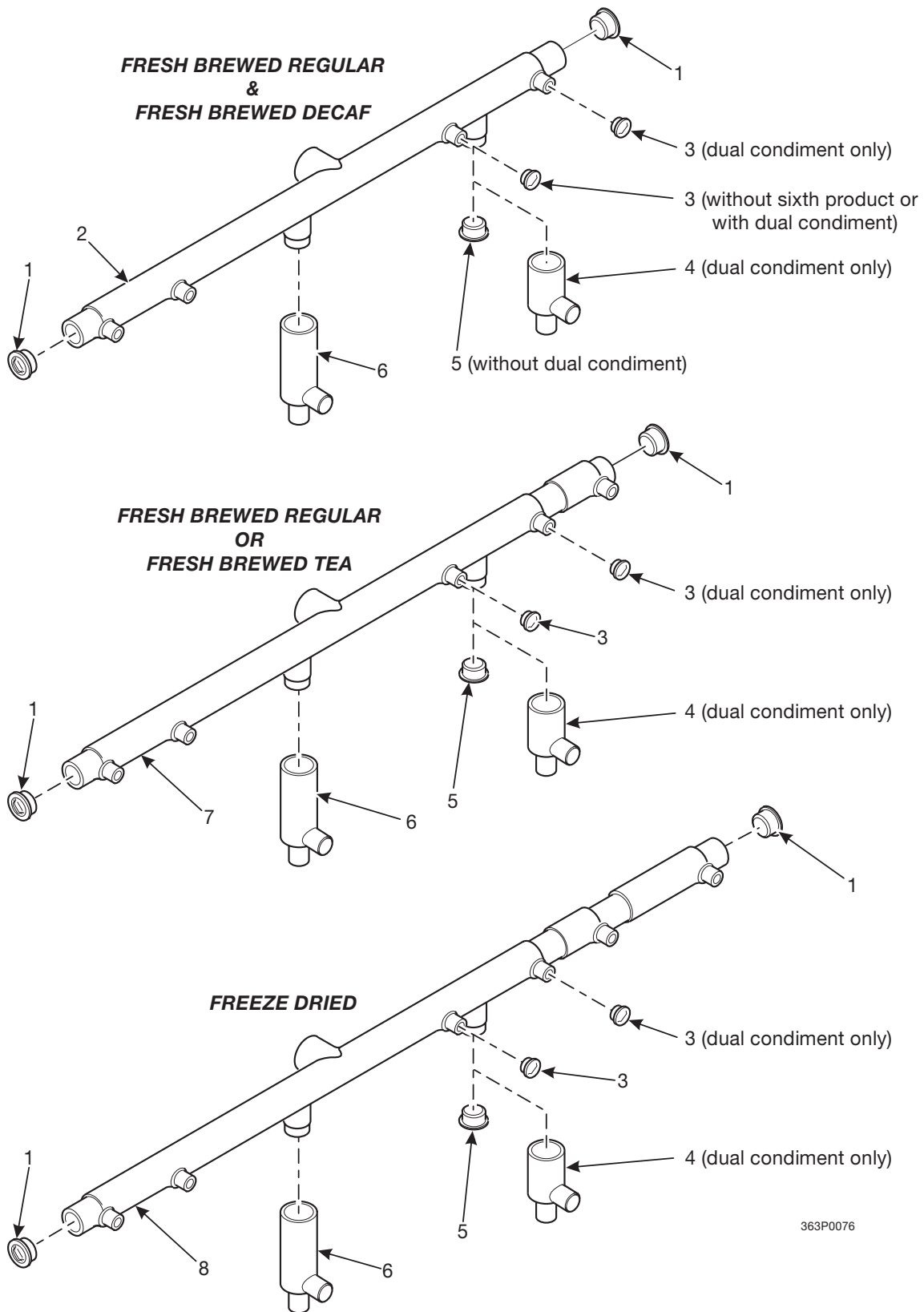
363P0077

Figure 85. Ventilation Assemblies



TABLE 85. VENTILATION ASSEMBLIES

INDEX	PART NUMBER	DESCRIPTION	QTY.
1	-	SHELF VENT ASSEMBLY (SEE FIGURE 86 FOR DETAILS)	1
2	-	VENT ASSEMBLY (SEE FIGURE 87 FOR DETAILS)	1
3	3607001	HOSE ASSEMBLY - EXHAUST BLOWER	1



363P0076

Figure 86. Shelf Vent Assemblies



TABLE 86. SHELF VENT ASSEMBLIES

INDEX	PART NUMBER	DESCRIPTION	QTY.
1	6237335	VINYL CAP - 1.00 I.D. X .50 LG. - .38 HOLE	-
2	6237470	VENT - SHELF - DUAL FRESH BREW WITH 6TH PRODUCT	-
3	6237303	PLUG - CENTER PULL - .56 (USE WHEN 6TH PRODUCT IS NOT PRESENT)	OPT.
4	6237455	VENT - EXTENSION - SHORT (USE WITH DUAL CONDIMENT)	OPT.
5	6237301	PLUG - CENTER PULL - .93 (USE WHEN 6TH PRODUCT IS NOT PRESENT)	OPT.
6	6237336	VENT - EXTENSION - SUGAR/LIGHTENER	-
7	6237460	VENT - SHELF - SINGLE FRESH BREW WITH 6TH PRODUCT	-
8	6237333	VENT - SHELF - FREEZE DRIED - 6TH PRODUCT	-

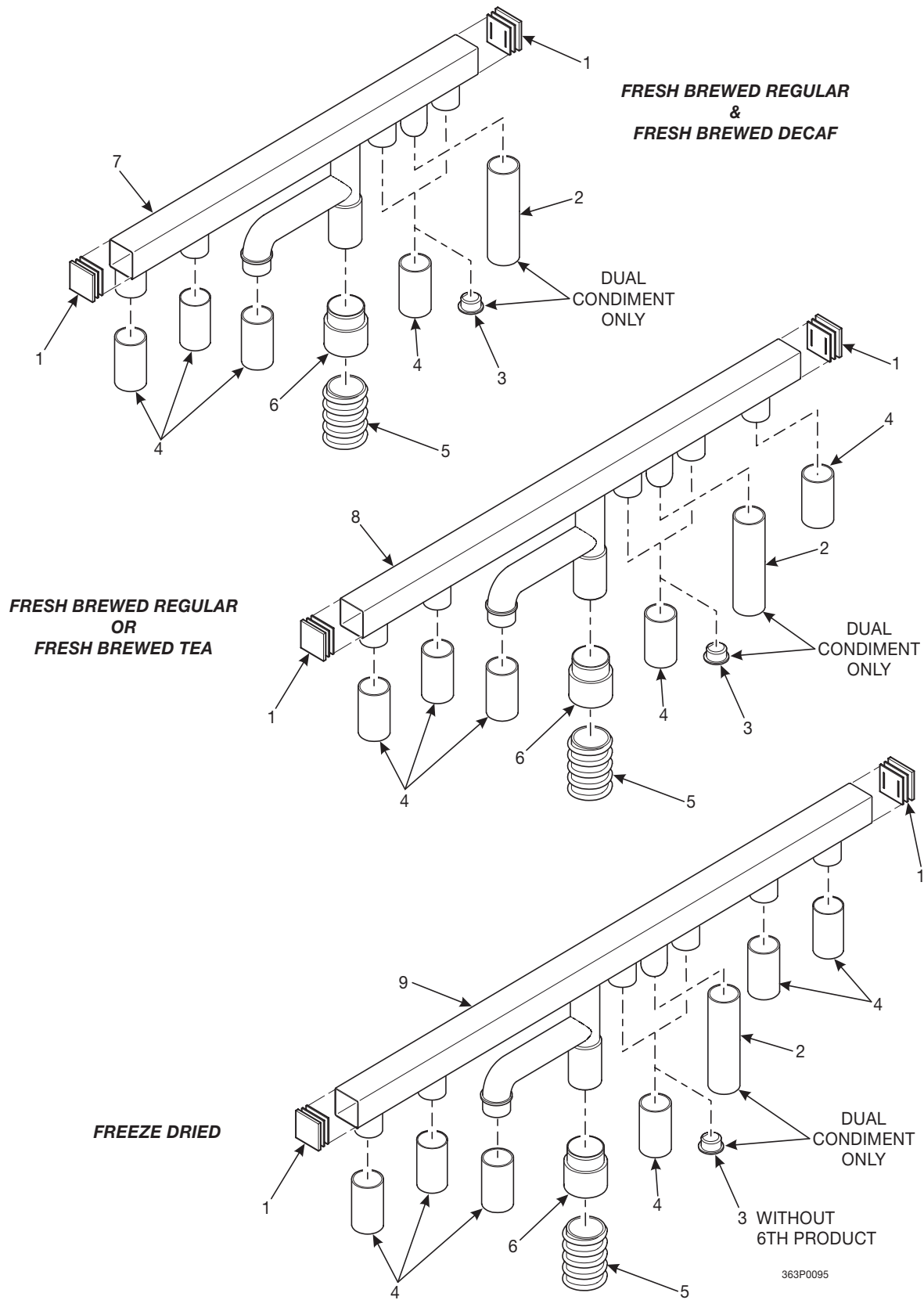


Figure 87. Vent Assemblies



TABLE 87. VENT ASSEMBLIES

INDEX	PART NUMBER	DESCRIPTION	QTY.
1	6337082	CAP - END VENT	-
2	6337059	TUBE - EXTENSION - 2 INGREDIENT (USE WITH DUAL CONDIMENT ONLY)	-
3	6237301	PLUG - CENTER PULL - .93 (USE WITH DUAL CONDIMENT ONLY)	-
4	6337049	TUBE - EXTENSION - SILICONE	-
5	6237337	HOSE - EXHAUST - 18" LONG	-
6	6137157	COUPLING - VENT HOSE	-
7	3637012	VENT - DUAL FRESH BREW W/6TH PRODUCT	-

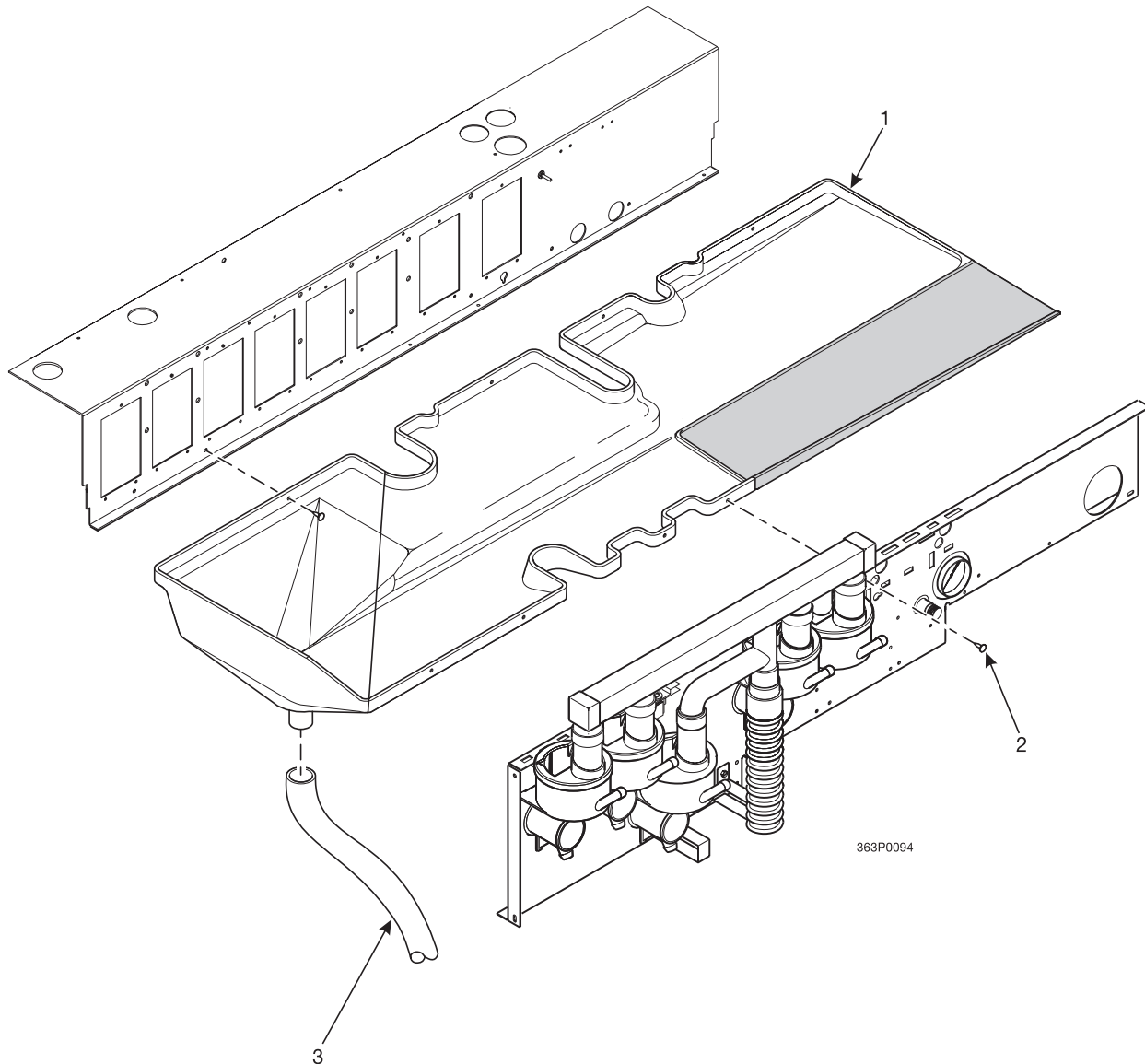


Figure 88. Ingredient Drain Tray Accessory



TABLE 88. INGREDIENT DRAIN TRAY ACCESSORY

INDEX	PART NUMBER	DESCRIPTION	QTY.
-	6240823	INGREDIENT DRAIN TRAY ACCESSORY	REF.
1	6241009	INGREDIENT DRAIN TRAY-32" (FRESH BREW - SHADED AREA IS REMOVED)	1
	6241008	INGREDIENT DRAIN TRAY-32" (FREEZE DRIED - SHADED AREA IS PRESENT)	
2	6237053	FASTENER-PUSH IN	8
3	6231371	TUBE-6238090-21.0"	1

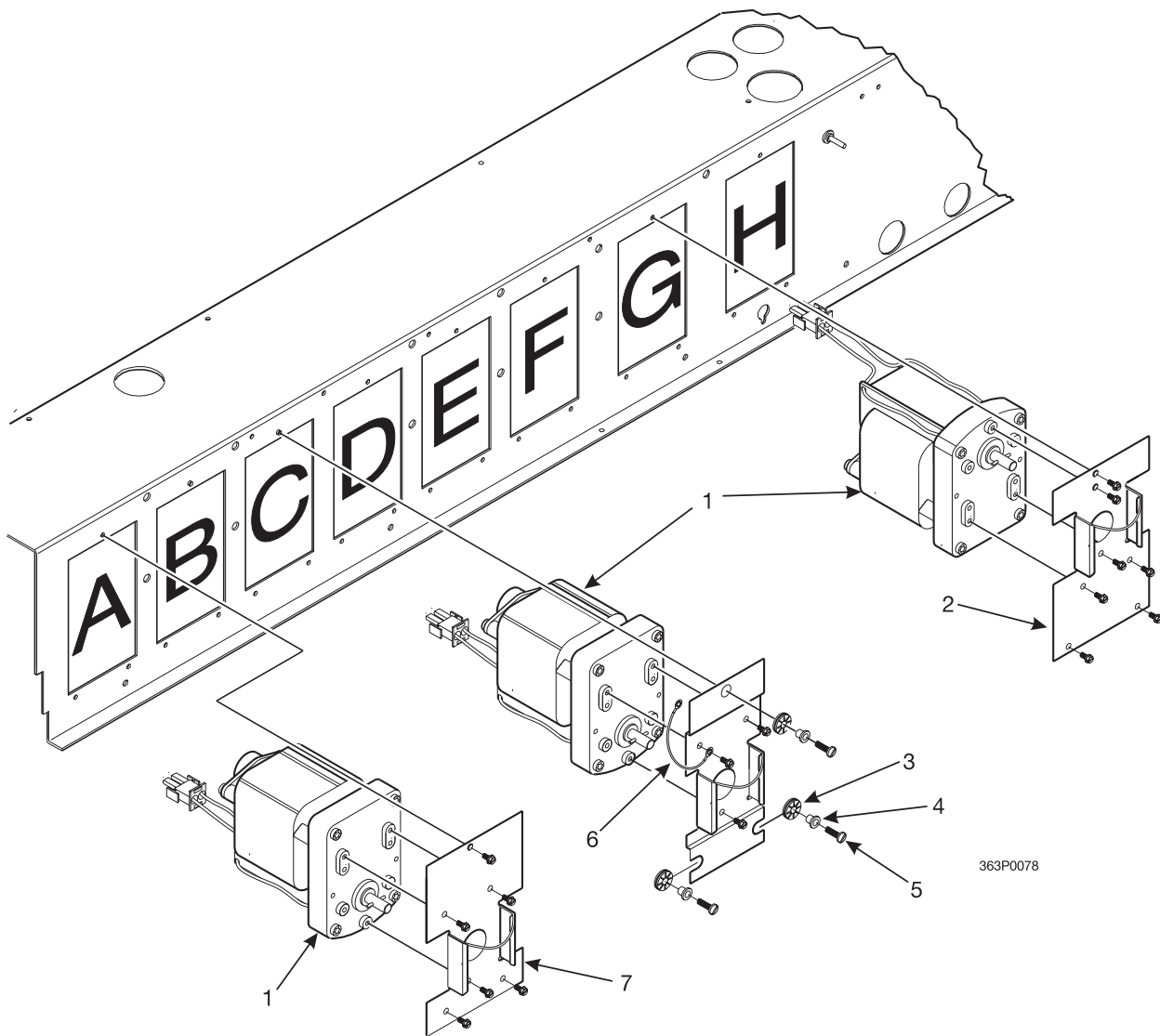


Figure 89. Motor and Plate Assembly



TABLE 89. MOTOR AND PLATE ASSEMBLY

INDEX	PART NUMBER	DESCRIPTION	QTY.
1	6237165	MOTOR - CANISTER - 115V/60HZ - 200 RPM	-
2	6237077	PLATE ASSEMBLY - COFFEE MOTOR MOUNTING - WELD	-
3	6237356	VIBRATION ISOLATOR - .375 DIA.	-
4	6237170	BUSHING - CANISTER	-
5	3102447	SCREW - 8-32 X 3/4 PHS TYPE 23 T/C ZNC	-
6	1475119	JUMPER - GROUND WIRE	-
7	6237074	PLATE ASSEMBLY - MOTOR MOUNTING - WELD	-



TABLE 90. MOTOR POSITION USAGE - BRZ./MEX./U.S.

MOTOR POSITION	CONDIMENT OPTION		INGREDIENT	DESCRIPTION	QTY	PART NO.
	DUAL	SINGLE				
A			CHOCOLATE	MOTOR AND PLATE ASSEMBLY - 200 RPM	1	6237436
				SCREW	3	1451097
B			SOUP	MOTOR AND PLATE ASSEMBLY - 200 RPM	1	6237436
				SCREW	3	1451097
C			WHITENER	MOTOR AND PLATE ASSEMBLY - 200 RPM	1	6237184
				SCREW	3	3102447
				CANISTER BUSHING	3	6237170
				VIBRATION ISOLATOR	3	6237356
D			SUGAR	MOTOR AND PLATE ASSEMBLY - 200 RPM	1	6237436
				SCREW	3	1451097
E			6TH PRODUCT ACCESSORY PRESENT	MOTOR AND PLATE ASSEMBLY - 200 RPM	1	6237436
				SCREW	3	1451097
		SCREW - #8-32 X .31 HEX HD T.F. - BLACK		SCREW - #8-32 X .31 HEX HD T.F. - BLACK ACCESSORY NOT PRESENT	PLATE - MOTOR CHANNEL COVER	1
	SCREW				3	1451097
	SCREW - #8-32 X .31 HEX HD T.F. - BLACK		WHITENER	MOTOR AND PLATE ASSEMBLY - 200 RPM	1	6237436
SCREW				3	1451097	



TABLE 90. MOTOR POSITION USAGE - BRZ./MEX./U.S. (CONTINUED)

MOTOR POSITION	CONDIMENT OPTION		INGREDIENT	DESCRIPTION	QTY	PART NO.
	DUAL	SINGLE				
F			INSTANT TEA	MOTOR AND PLATE ASSEMBLY - 60 RPM	1	6237437
				SCREW	3	1451097
			SUGAR	MOTOR AND PLATE ASSEMBLY - 200 RPM	1	6237436
				SCREW	3	1451097
G			FREEZE DRIED DECAF	MOTOR AND PLATE ASSEMBLY - 200 RPM	1	6237436
				SCREW	3	1451097
			FRESH BREW DECAF	MOTOR AND PLATE ASSEMBLY - 200 RPM	1	6237438
				SCREW	3	1451097
H			FREEZE DRIED COFFEE	MOTOR AND PLATE ASSEMBLY - 200 RPM	1	6237436
				SCREW	3	1451097
			FRESH BREW COFFEE	MOTOR AND PLATE ASSEMBLY - 200 RPM	1	6237438
				SCREW	3	1451097

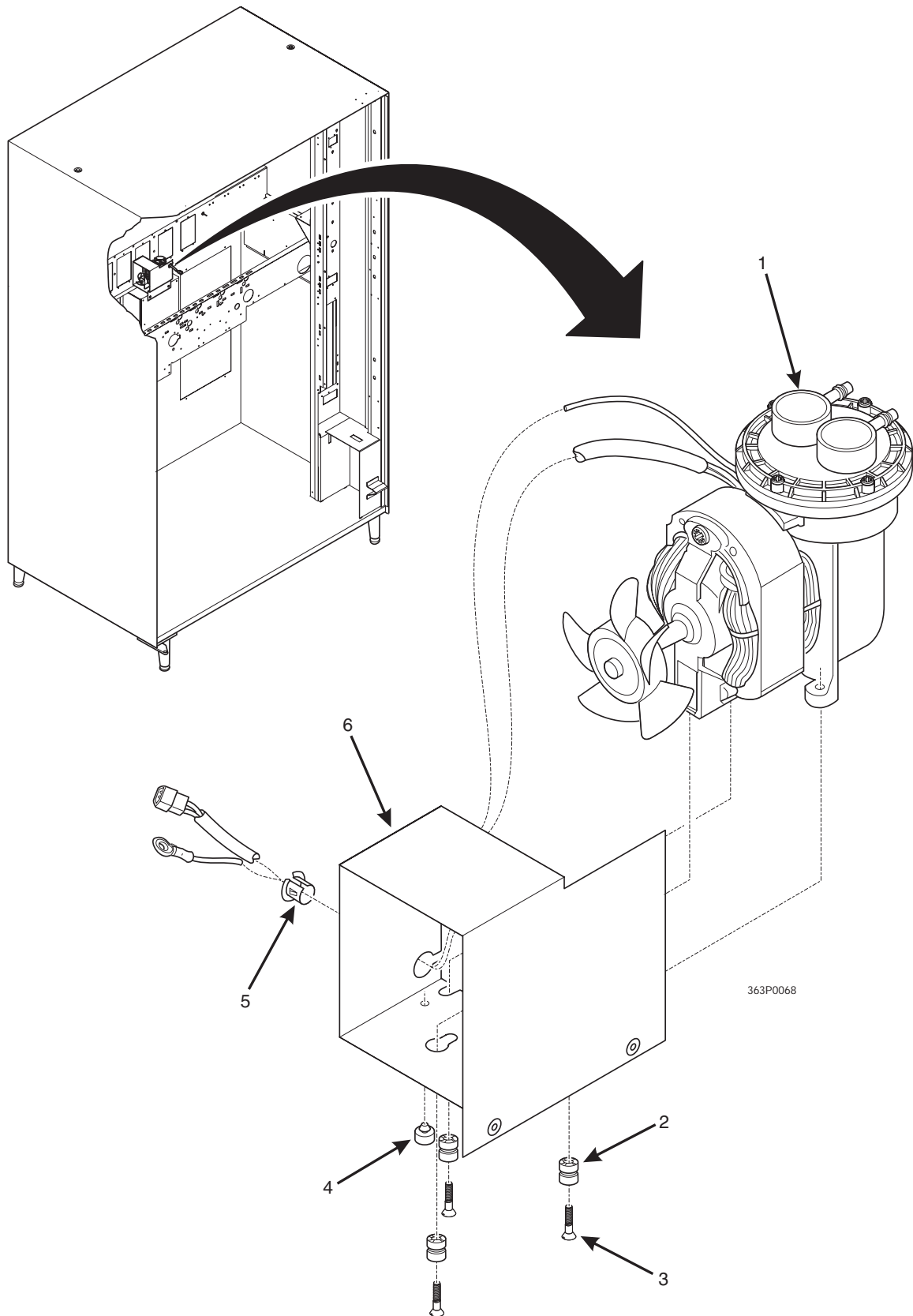


Figure 91. Air Compressor - 115 Volts



TABLE 91. AIR COMPRESSOR - 115 VOLTS

INDEX	PART NUMBER	DESCRIPTION	QTY.
-	6234357	AIR COMPRESSOR ASSEMBLY	OPT.
1	6234359	AIR COMPRESSOR - BREWER	1
2	6237205	VIBRATION ISOLATOR - .250 DIAMETER	3
3	6231178	SHOULDER SCREW	3
4	6231319	BUMPER - PLUG	1
5	3502097	BUSHING #OCB-500	1
6	6231210	SUPPORT - COMPRESSOR	1

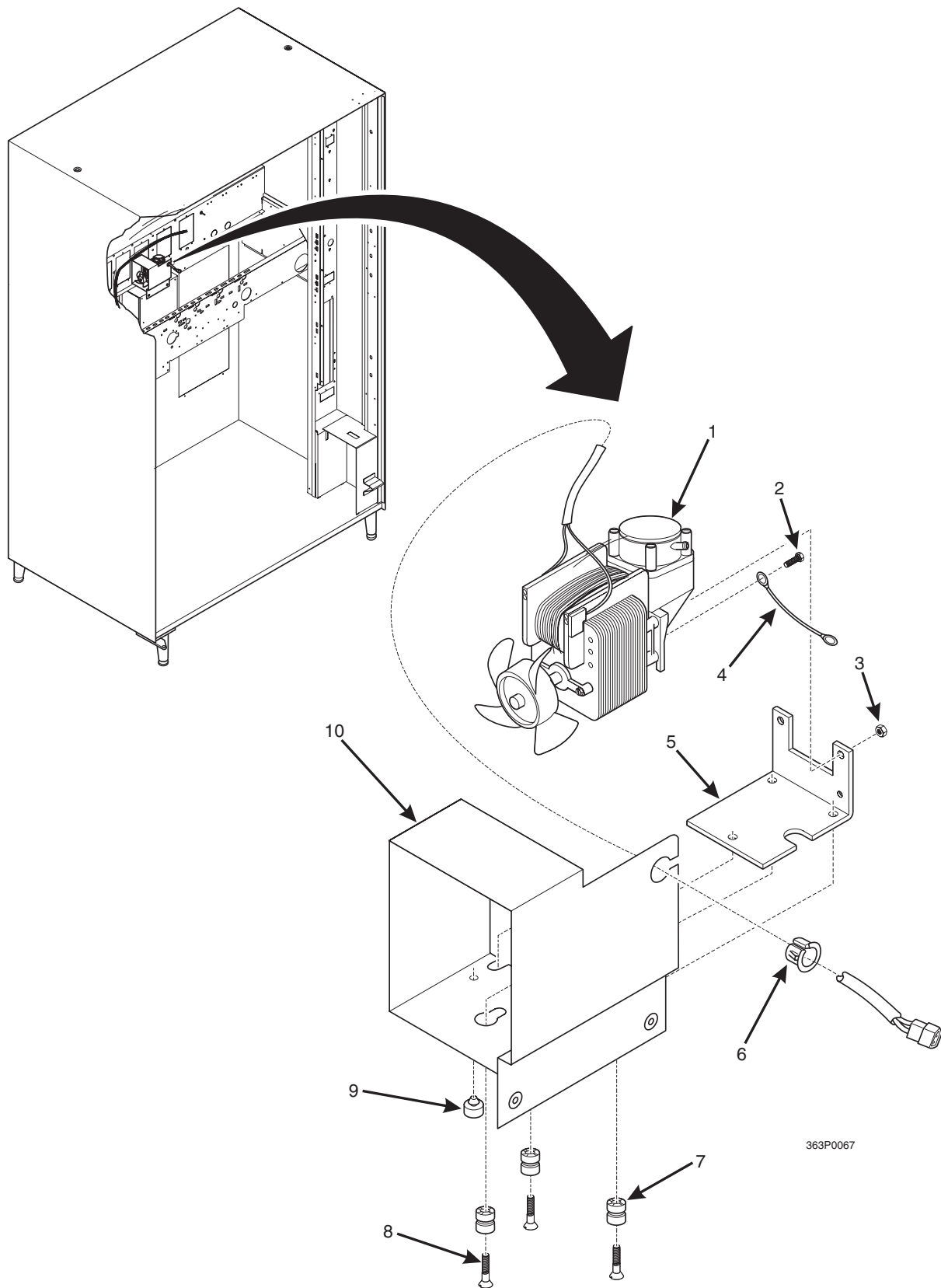
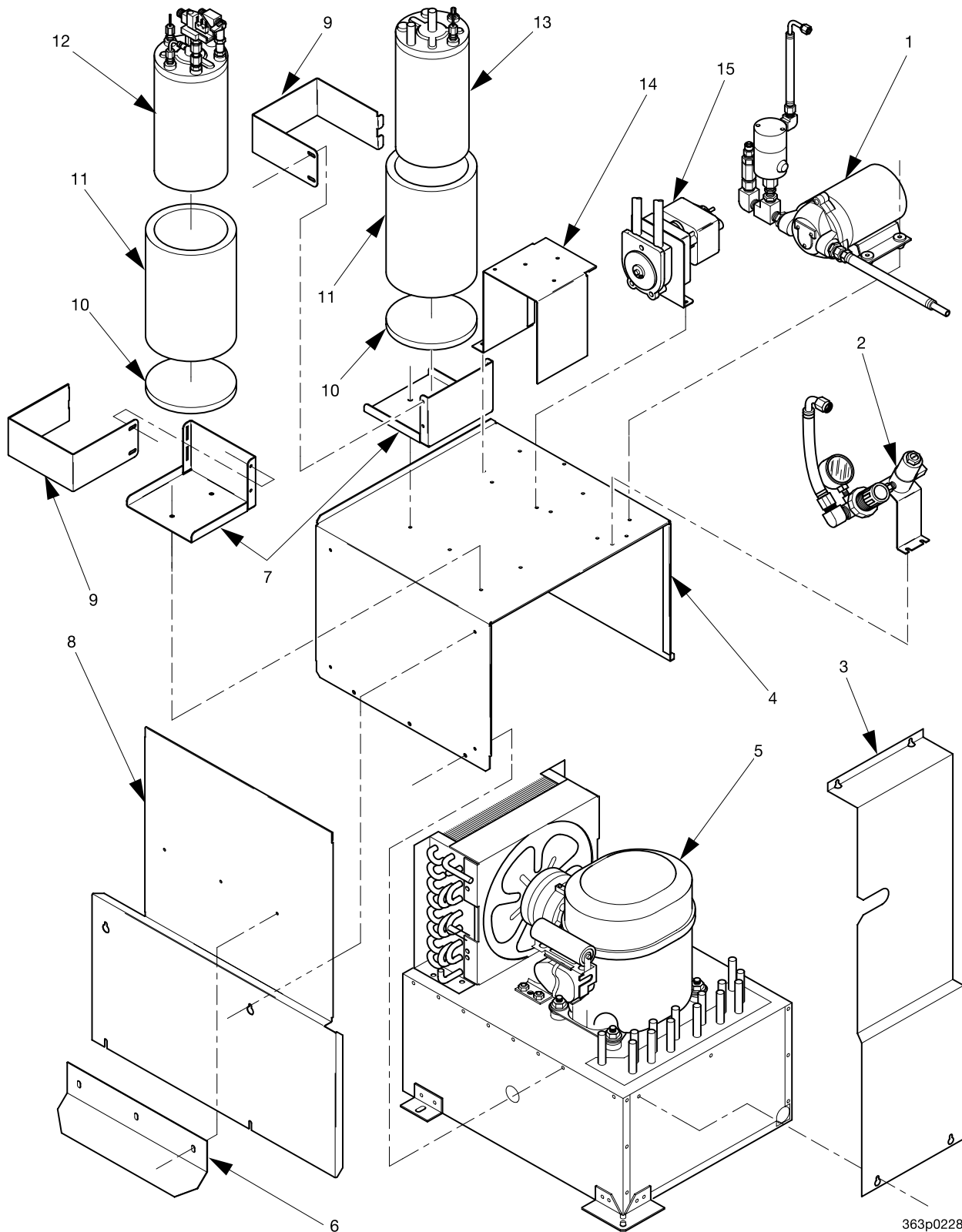


Figure 92. Air Compressor - 230 Volts



TABLE 92. AIR COMPRESSOR - 230 VOLTS

INDEX	PART NUMBER	DESCRIPTION	QTY.
-	6334000	AIR COMPRESSOR ASSEMBLY - 230 V	OPT.
1	6334010	AIR COMPRESSOR - BREWER - 230 V	1
2	3157060	SCREW - #8-32 X .31 HEX W/ HD.	1
3	9900081	NUT #8-32 KEPS ZINC PLATE	1
4	9984165	JUMPER - GROUND WIRE	1
5	6334009	BRACKET - AIR COMPRESSOR	1
6	3502097	BUSHING #OCB-500	1
7	6237205	VIBRATION ISOLATOR - .250 DIAMETER	3
8	6231178	SHOULDER SCREW	3
9	6231319	BUMPER-PLUG	1
10	6334008	COVER-AIR COMPRESSOR	1



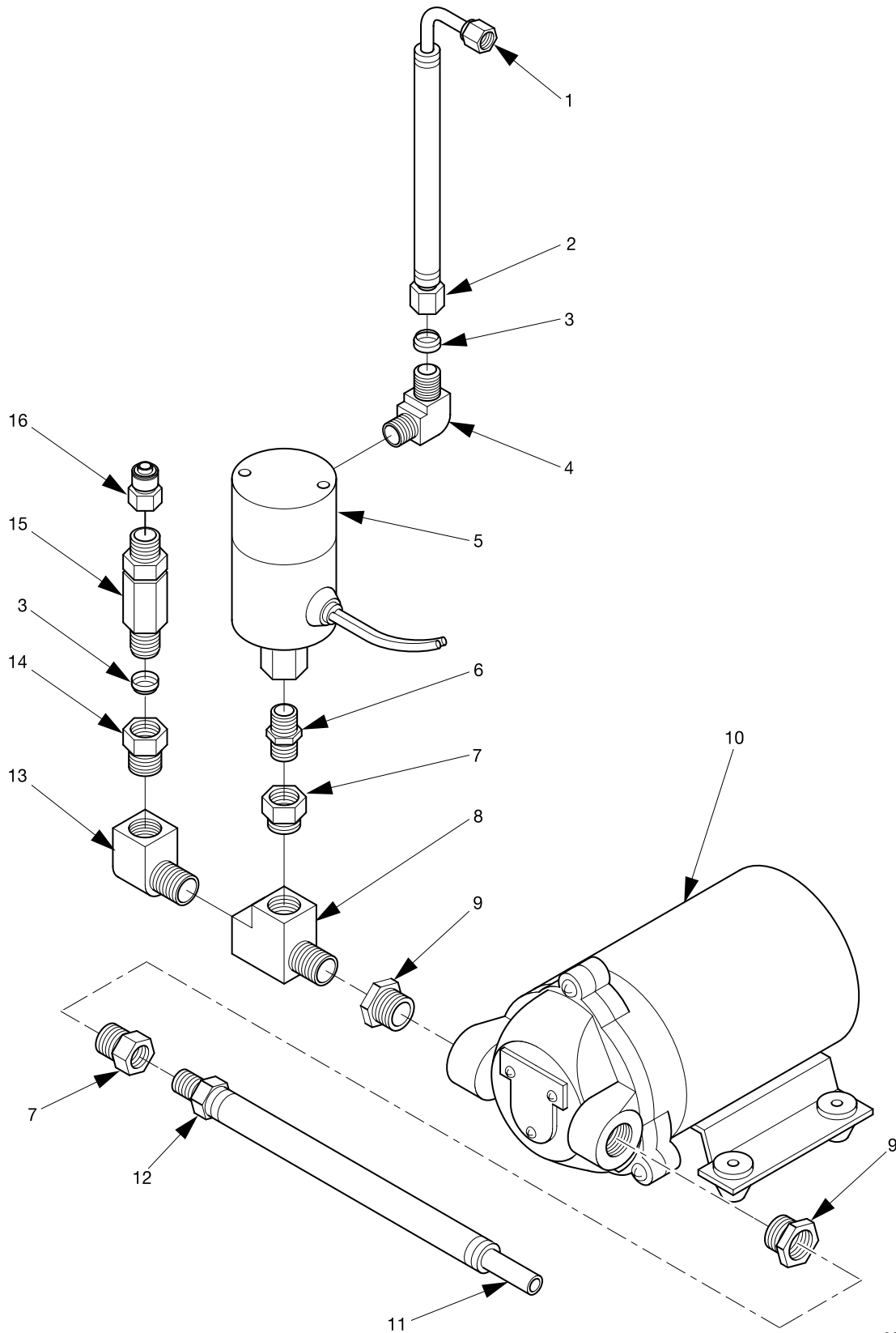
363p0228

Figure 93. Cold Section - Miscellaneous Mounted Parts



TABLE 93. COLD SECTION - MISCELLANEOUS MOUNTED PARTS

INDEX	PART NUMBER	DESCRIPTION	QTY.
1	3638116	PUMP & VALVE ASSEMBLY - CARBONATOR - 115V (SEE FIGURE 94 FOR DETAILS)	1
2	3638117	VALVE & REGULATOR ASSEMBLY - 115V (SEE FIGURE 97 FOR DETAILS)	1
3	3638075	COVER - FRONT - COLDPLATE	1
4	3638105	BRACKET - COLD PLATE MOUNTING	1
5	3638052	COLD PLATE ASSEMBLY - REFRIG. - DOM. (SEE FIGURE 95 FOR DETAILS)	1
6	3631113	DEFLECTOR - GROUNDS	1
7	3631163	SUPPORT - CARBONATOR	2
8	3638106	COVER - LEFT - COLDPLATE	1
9	3631164	BRACKET - CARBONATOR	2
10	3638024	INSULATION - CARBONATOR BOTTOM	1
11	3638023	INSULATION - CARBONATOR SHELL	1
12	3638115	CARBONATOR FINAL ASSEMBLY (SEE FIGURE 96 FOR DETAILS)	1
13	3638118	TANK FINAL ASSEMBLY - STORAGE	1
14	3638107	COVER - PUMP	1
15	3638119	PUMP ASSEMBLY	1



363p003c

Figure 94. Carbonator Pump Assembly



TABLE 94. CARBONATOR PUMP ASSEMBLY

INDEX	PART NUMBER	DESCRIPTION	QTY.
-	3638036	PUMP ASSEMBLY - CARBONATOR - 115V	1
1	6398112	ELBOW - 1/4FF X 1/4 BS - STAIN ST.	1
2	3167010	NUT - SWIVEL FOXX #05B01-117	1
3	3148178	WASHER - 1/4 SAE FLARE	2
4	3108073	BRASS ELBOW - PARKER #249F-4-2	1
5	3638123	VALVE ASSEMBLY - KIP 6X878-120V/60HZ2 WAY RECIRCULATING - 115V	1
	3638126	VALVE ASSEMBLY - U641025-1341-230/50S.S. BODY & FITTING, 10 WATT	
6	6154226	NIPPLE - 1/8 X 1 NPT, #122A.AANDERSON	1
7	4751087	BUSHING - PARKER #209P-4-2	2
8	3128317	STREET TEE 1/4 NPTF - PH#2225P-4	1
9	6408117	BUSHING - 1/4 X 3/8 - BRASS - 209P-6	2
10	3638022	PUMP - CARBONATOR - 115V - W/TERM.	1
11	3638029	FITTING - TUBE STEM/HOSE BARB	1
12	6108007	ADAPTOR COMPRESSOR HOSE # 125-HBL-4	2
13	3128303	90 STREET ELBOW 1/4 NPTF	1
14	3638112	FITTING - U5-4B,1/4 MNPT X 1/4 FLARE	1
15	6398066	VALVE - CHECK - SINGLE - #S470-44	1
16	6398065	ADAPTOR - 1/4 FF X 3/8 OD HOSE 250BX	1

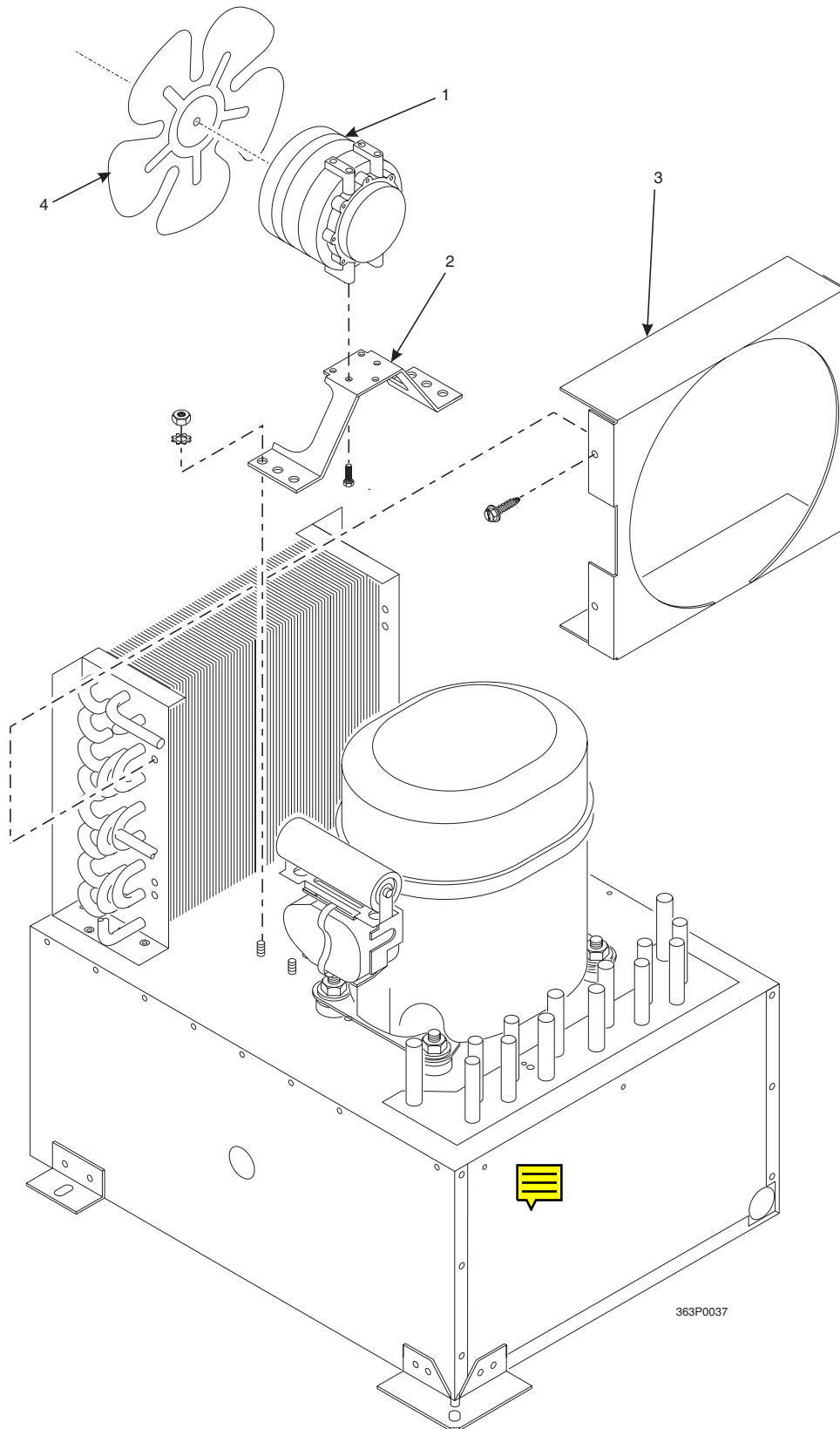


Figure 95. Cold Plate Assembly



TABLE 95. COLD PLATE ASSEMBLY

INDEX	PART NUMBER	DESCRIPTION	QTY.
-	3638052	COLD PLATE ASSEMBLY (AVAILABLE PARTS CONSIST OF THE FOLLOWING FOUR ITEMS)	1
1	4304092	MOTOR - CONDENSER FAN	1
2	4744009	BRACKET - CONDENSER MOTOR	1
3	4774111	SHROUD - CONDENSER FAN	1
4	4774027	BLADE - CONDENSER FAN	1

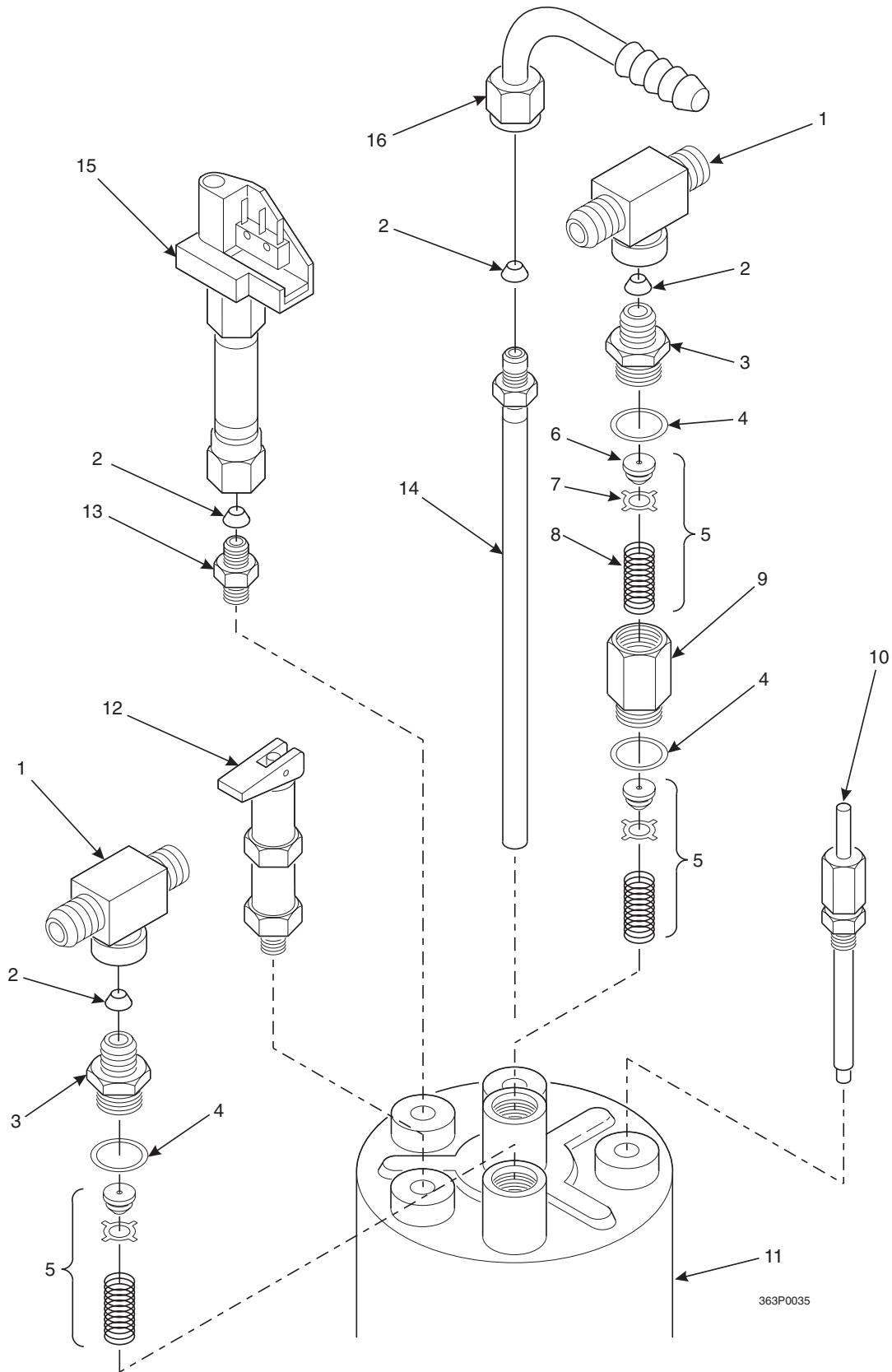
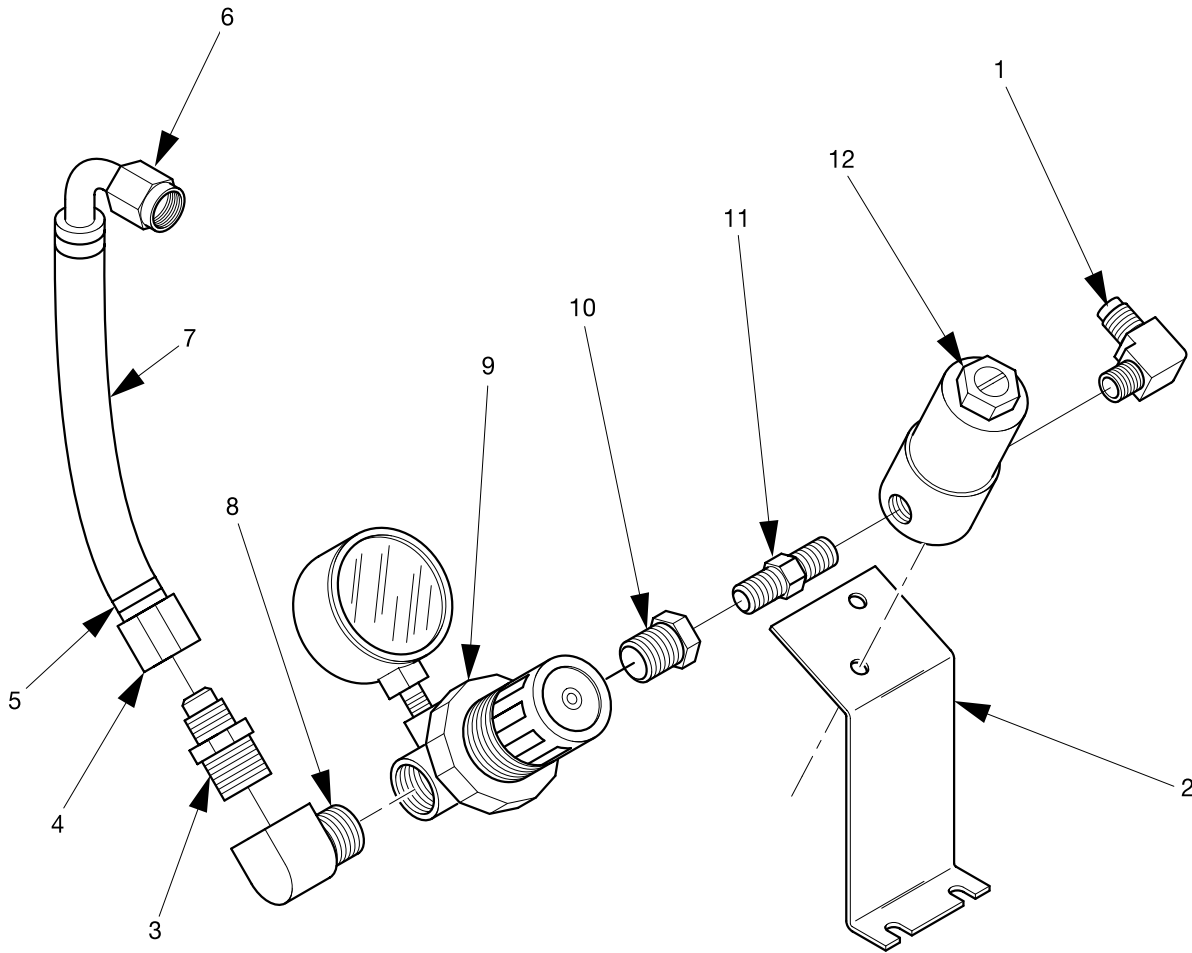


Figure 96. Carbonator Final Assembly



TABLE 96. CARBONATOR FINAL ASSEMBLY

INDEX	PART NUMBER	DESCRIPTION	QTY.
1	3167012	SWITCH - CO2 - TEE - MUELLER #A633	2
2	3148178	WASHER - 1/4 SAE FLARE	4
3	3108022	CONNECTOR - JET - CARBONATOR	2
4	3108038	O RING 111-2347	3
5	3148051	SEAL ASSEMBLY - CHECK VALVE OUTLET (INCLUDES ITEM NUMBERS 6 THROUGH 8)	3
6	3148050	SEAT - CHECK VALVE OUTLET	1
7	3148040	SPIDER - CHECK VALVE OUTLET	1
8	3148041	SPRING - CHECK VALVE OUTLET	1
9	3108163	JET - CARBONATOR	1
10	6398046	ELECTRODE ASSEMBLY - LONG	1
11	3638033	BODY & TOP ASSEMBLY - CARBONATOR	1
12	6398049	VALVE - SAFETY RELIEF - S425-2-1	1
13	3108013	UNION - HALF	1
14	3638035	DIP TUBE ASSEMBLY - CARBONATOR	1
15	6398102	PRESSURE SWITCH ASSEMBLY (NOT PART OF 3638032 - SHOWN HERE FOR CLARITY)	1
16	6398112	ELBOW - 1/4 FF X 1/4 BS - STAIN S	1



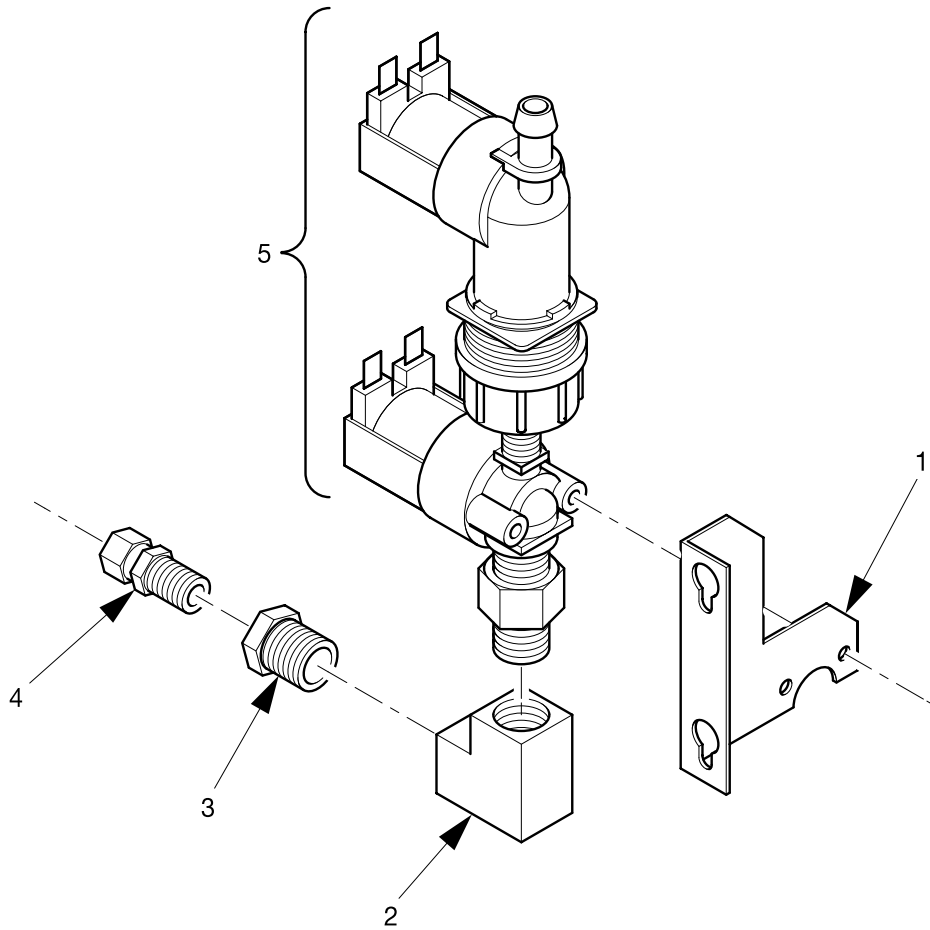
363p0229

Figure 97. Valve and Regulator Assembly



TABLE 97. VALVE AND REGULATOR ASSEMBLY

INDEX	PART NUMBER	DESCRIPTION	QTY.
-	3638117	VALVE & REGULATOR ASSEMBLY - 115V	1
	3638127	VALVE & REGULATOR ASSEMBLY - 230V	
1	3108073	BRASS ELBOW - PARKER #249F-4-2	1
2	3637019	BRACKET - SOLENOID VALVE - CO2	1
3	3128151	CONNECTOR - MALE COUPLINGS 48CC	1
4	3167010	NUT - SWIVEL FOXX #05B01-117	1
5	3167103	CLAMP - OETIKER 12.3	1
6	6398112	ELBOW - 1/4FF X 1/4 BS-STAIN ST.	1
7	3638097	TUBING - PLASTIC - .265 ID X .465	1
8	3128303	90 STREET ELBOW 1/4 NPTF	1
9	3167124	SECONDARY REGULTOR & GAUGE ASSEMBLY	1
10	4751087	BUSHING - PARKER #209P-4-2	1
11	6154226	NIPPLE - 1/8 X 1 NPT, #122A.A	1
12	3167025	VALVE - SOLENOID - CO2 SUPPLY - 115 V	1
	3638069	VALVE - SOLENOID - CO2 SUPPLY - 230 V	



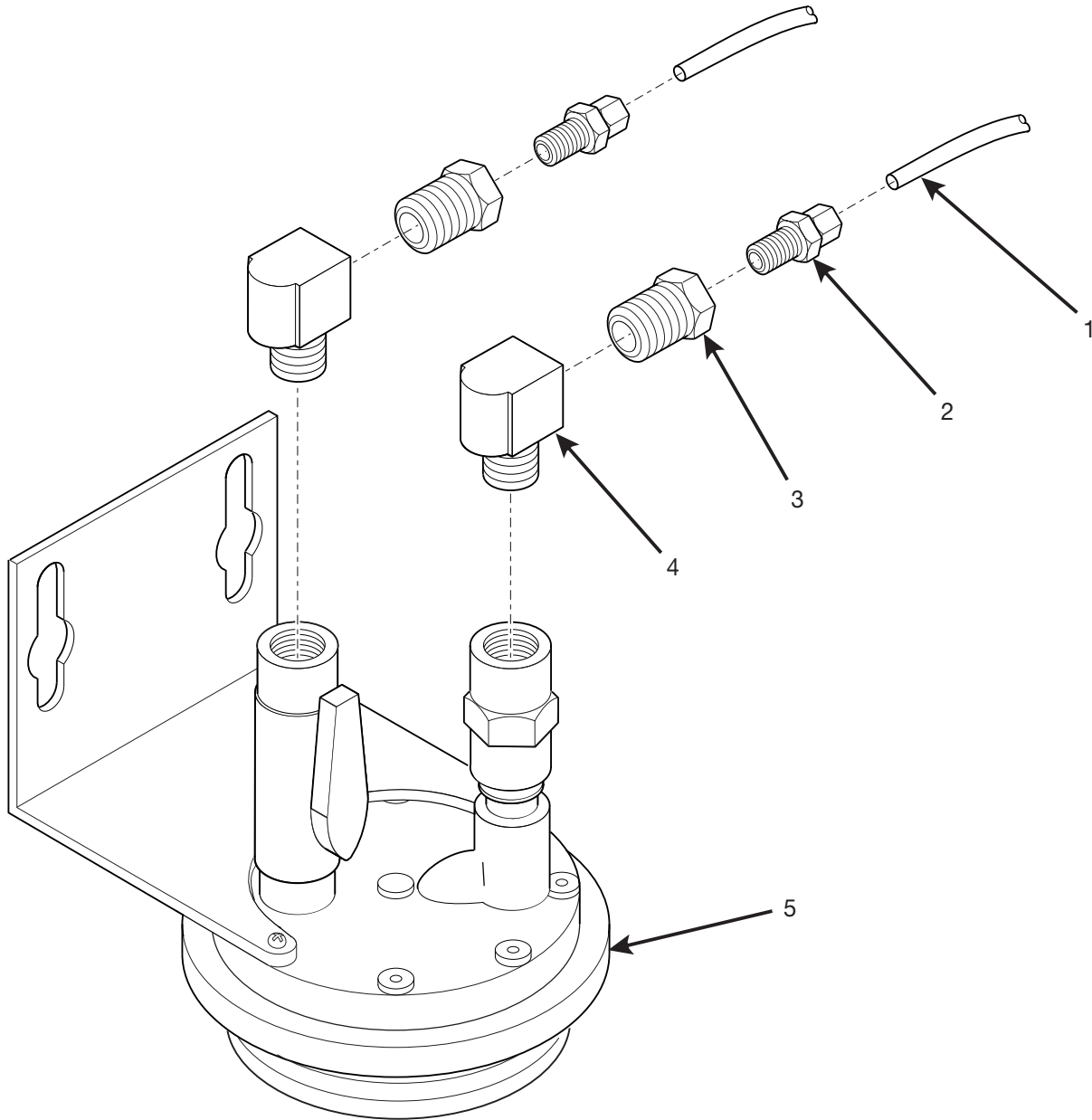
363p0114

Figure 98. Single Inlet Valve Assembly



TABLE 98. SINGLE INLET VALVE ASSEMBLY

INDEX	PART NUMBER	DESCRIPTION	QTY.
1	3631066	BRACKET - DUAL INLET VALVE MOUNTING	1
2	3158061	VALVE ASSEMBLY - WATER INLET	2
3	6508103	STREET ELBOW 3/8 NPTF X 3/8 NP	2
4	3618121	TEE - 3/8 - BRASS COUPLINGS #101E	1
5	6408117	BUSHING - 1/4X3/8 - BRASS - 209P-6-4	1
6	6408119	MALE CONNECTOR - BRASS #4-4-FBI2-B	1



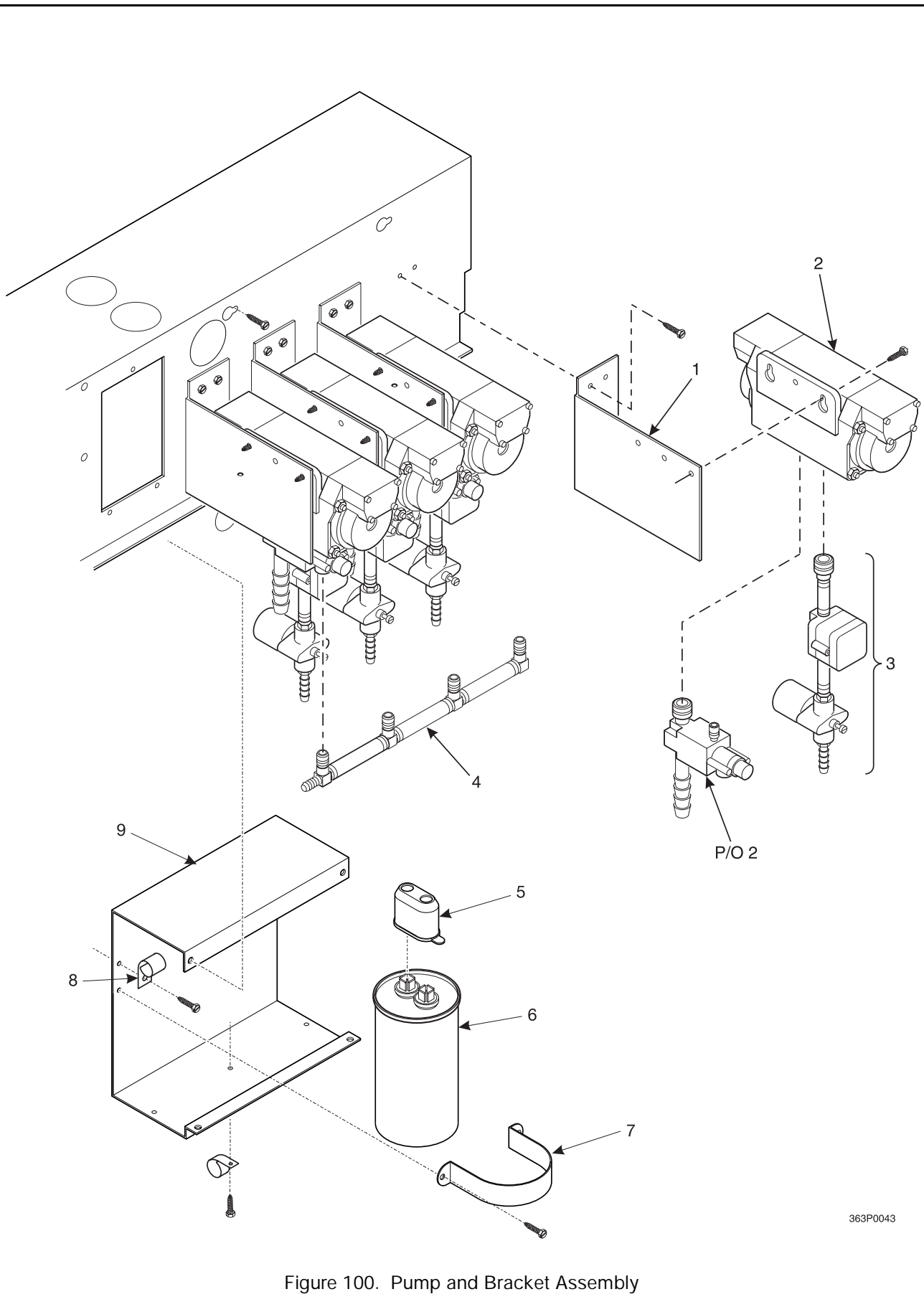
363P0023

Figure 99. Water Supply - With Hydrolife Water Filter Option



TABLE 99. WATER SUPPLY - WITH HYDROLIFE WATER FILTER OPTION

INDEX	PART NUMBER	DESCRIPTION	QTY.
1	9082699	COPPER TUBING - .250 OD X .028 WALL	-
2	6408119	MALE CONNECTOR - BRASS #4-4-FBI2-B	2
3	6408117	BUSHING - 1/4 X 3/8 - BRASS - 209P-6-4	2
4	6508103	STREET ELBOW - ANDERSON #116A-C 3/8 NPTF X 3/8 NPTF	2
5	6338027	HEAD - BRACKET ASSEMBLY - HLV192-G6710 HYDRO LIFE, 1CS=18ASSY	1



363P0043

Figure 100. Pump and Bracket Assembly



TABLE 100. PUMP AND BRACKET ASSEMBLY

INDEX	PART NUMBER	DESCRIPTION	QTY.
1	3167101	BRACKET - MOUNTING - SYRUP PUMP	4
2	3167029	PUMP ASSEMBLY - SINGLE - ELBOW (SHOWN)	1
	3167006	PUMP ASSEMBLY - SINGLE - TEE	3
3	3167111	PRODUCT OUTLET ASSEMBLY - BOTTOM PUMPS	4
4	3638068	CO2 MANIFOLD - 4 PUMPS	1
5	3638110	BOOT - PROTECTIVE - CAPACITOR	2
6	3638108	CAPACITOR - 120 μ F - 240 VAC	2
7	3638109	BRACKET - CAPACITOR	2
8	4305043	HARNESS CLIP - 1.00	1
9	3631145	BRACKET - CAPACITOR MOUNTING	1

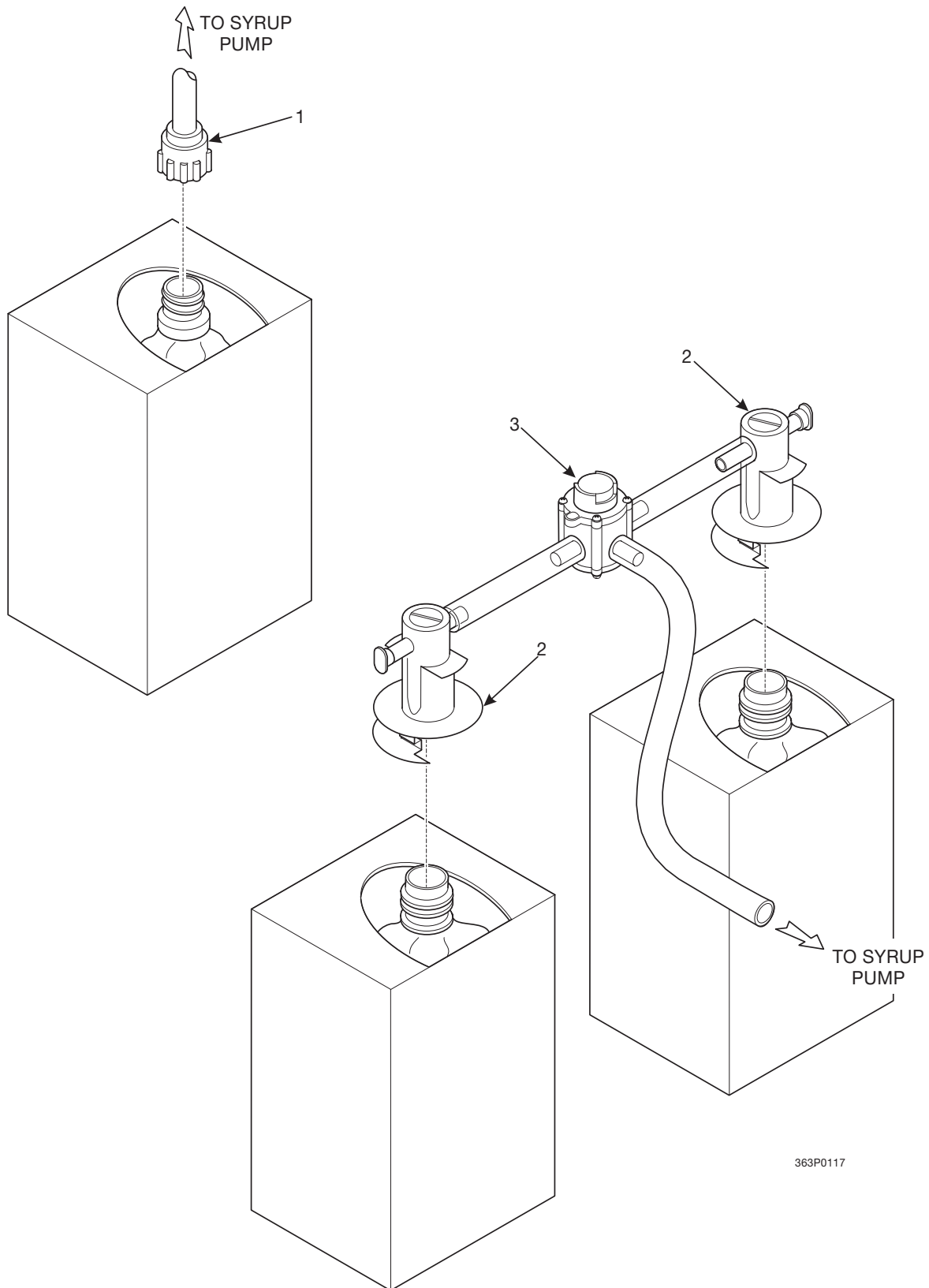


Figure 101. Bag-In-Box Connectors



TABLE 101. BAG-IN-BOX CONNECTORS

INDEX	PART NUMBER	DESCRIPTION	QTY.
1	3167123	FITTING - BIB - COKE - # P37-SBB-KHN TUTHILL/HANSEN, 3/8"CONNECTION	-
2	3167151	FITTING - LIQUID BOX - QCVD, FOXX # 15F01-119,022396	1
3	3167122	VALVE - TRANSFER - FLOJET # 1500-031 BOX=12, CASE=144	1

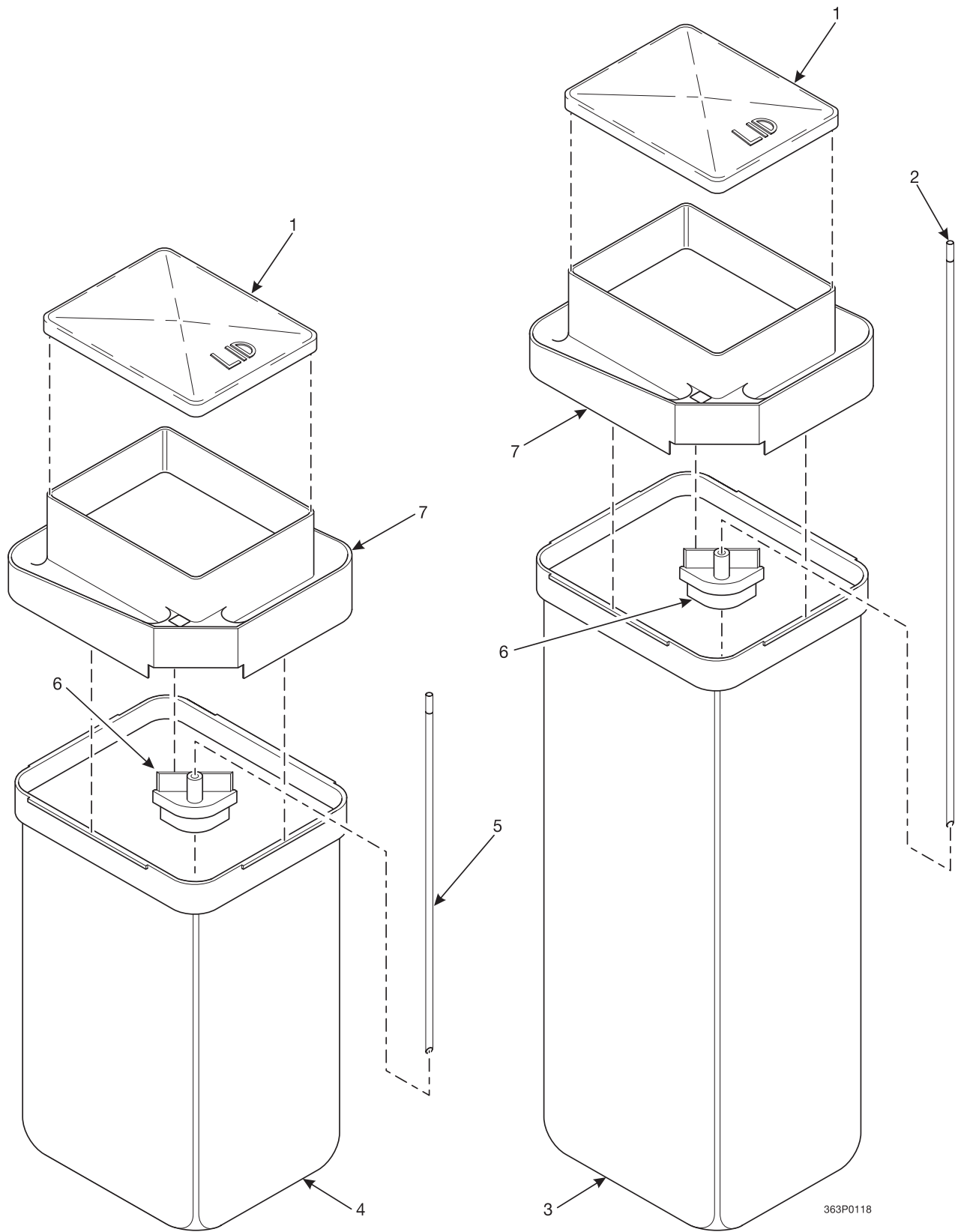


Figure 102. Syrup Tank Components



TABLE 102. SYRUP TANK COMPONENTS

INDEX	PART NUMBER	DESCRIPTION	QTY.
1	3127102	LID - SYRUP TANK COVER	4
2	3127109	DIP TUBE - SYRUP TANK	1
3	3127100	SYRUP TANK	1
4	3607111	TANK - SYRUP - 3 1/2 GAL	3
5	3607112	DIP TUBE - SYRUP	3
6	3127107	BRACKET - DIP TUBE - SYRUP TANK	4
7	3127101	COVER - SYRUP TANK	4

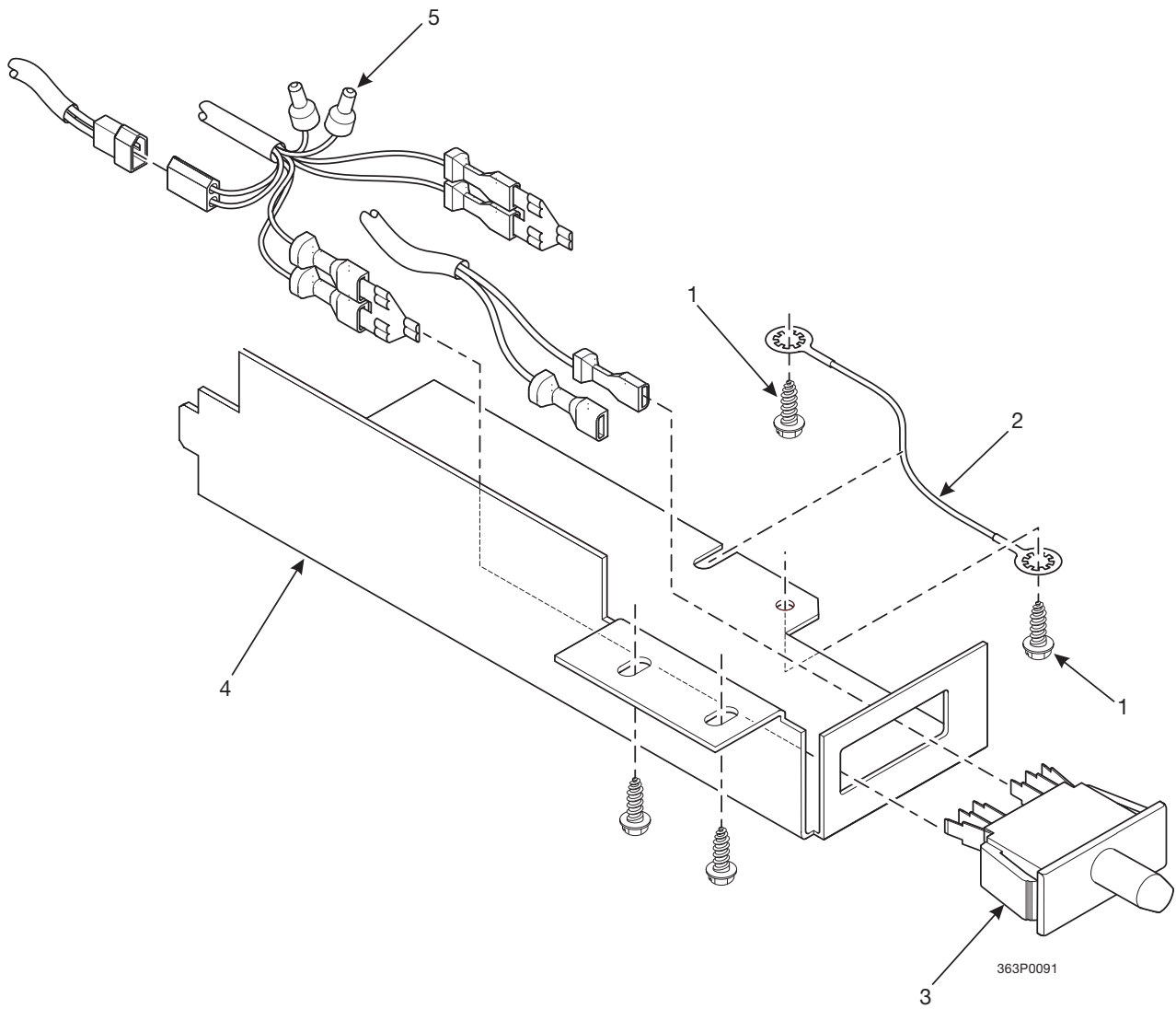


Figure 103. Interlock Switch and Bracket



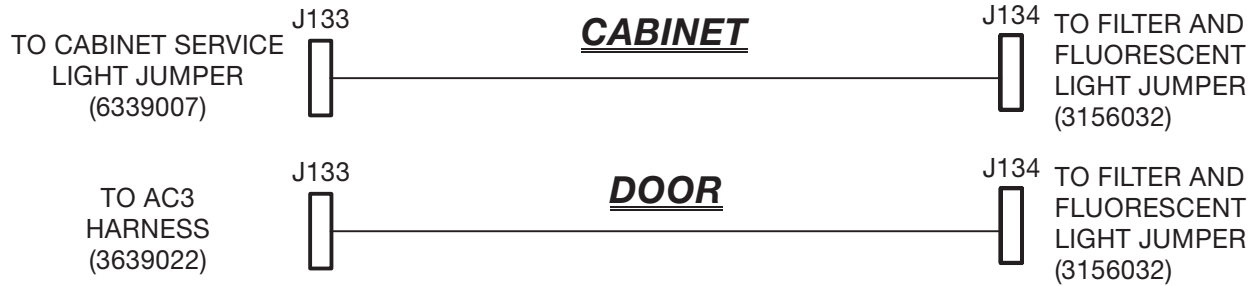
TABLE 103. INTERLOCK SWITCH AND BRACKET

INDEX	PART NUMBER	DESCRIPTION	
1	3157060	SCREW - #8-32 X .31 HEX W/ HD.	-
2	9984165	JUMPER - GROUND WIRE	1
3	2366135	SWITCH - INTERLOCK - DOMESTIC	1
	1211141	SWITCH - INTERLOCK - INTERNATIONAL	
4	1571021	BRACKET - SWITCH INTERLOCK	1
5	1579010	JUMPER - INTERLOCK - DOMESTIC	1
	1579011	JUMPER - INTERLOCK - INTERNATIONAL	



1451124

SUPPRESSION NETWORK ASSEMBLY



1451124

1579003

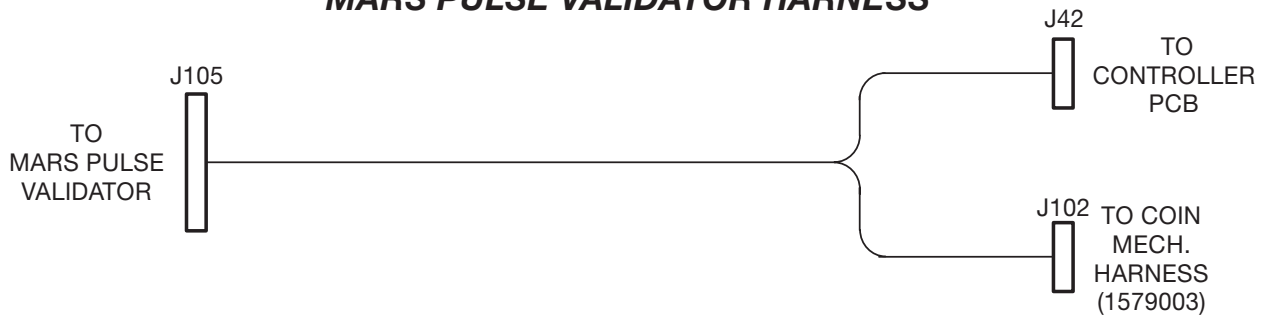
COIN MECH HARNESS



1579003

1579005

MARS PULSE VALIDATOR HARNESS



1579005

Figure 104. Wiring Harnesses (Part 1 of 16)

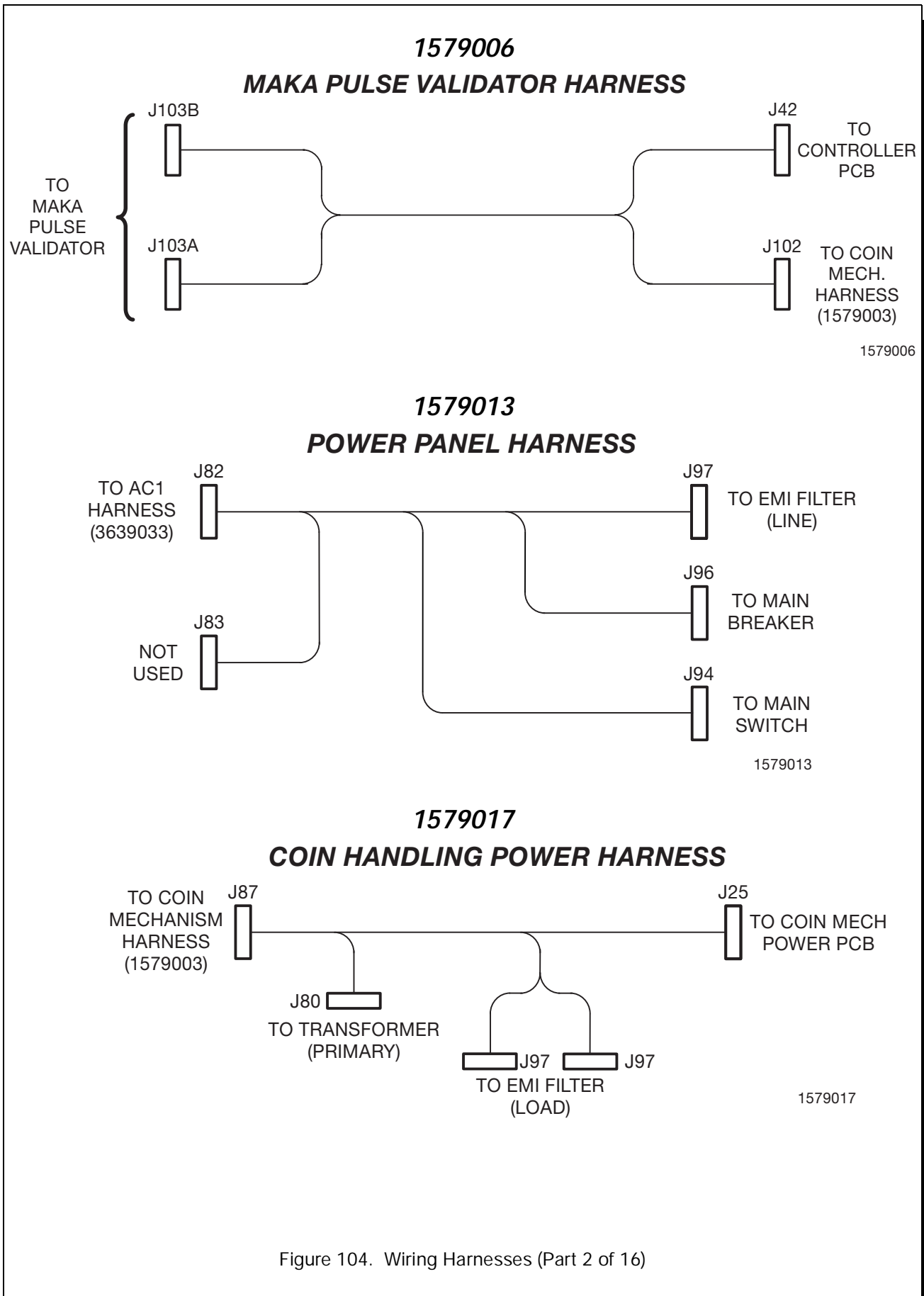


Figure 104. Wiring Harnesses (Part 2 of 16)

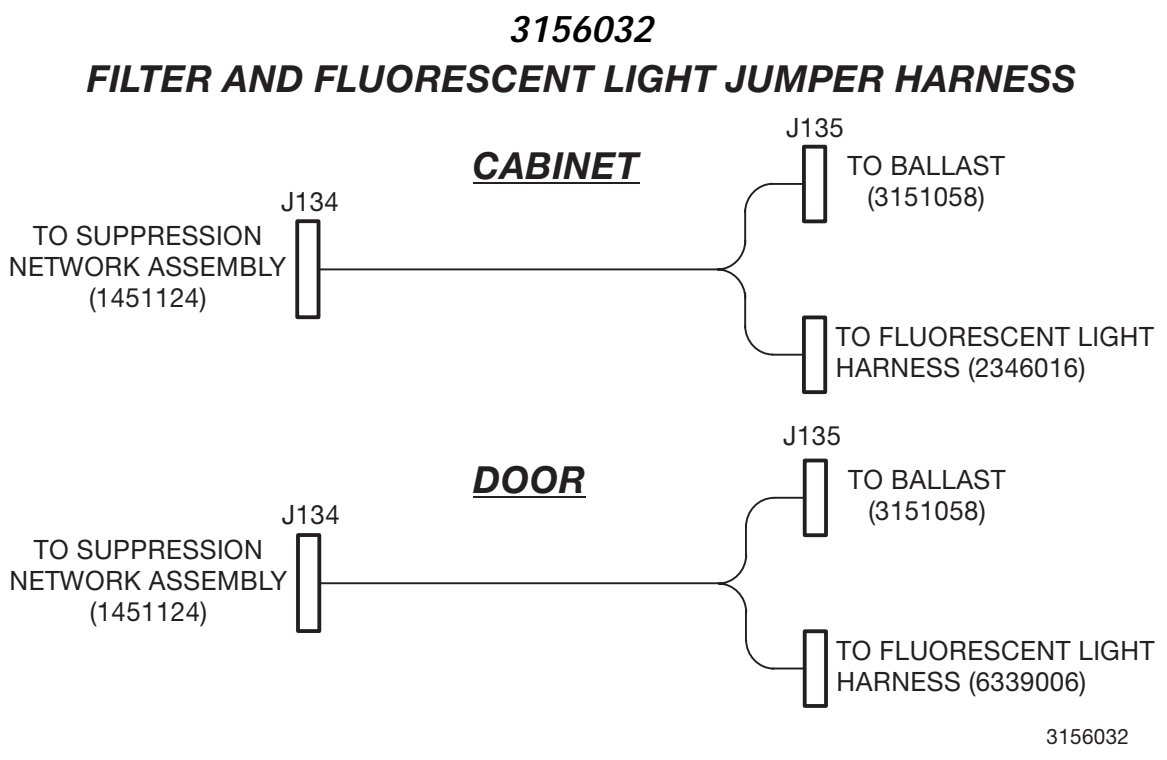
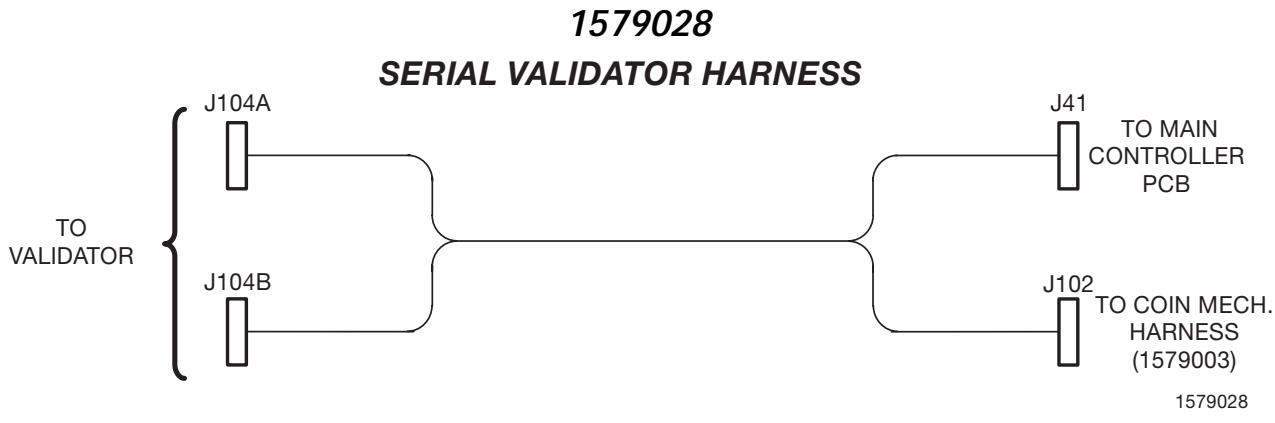


Figure 104. Wiring Harnesses (Part 3 of 16)

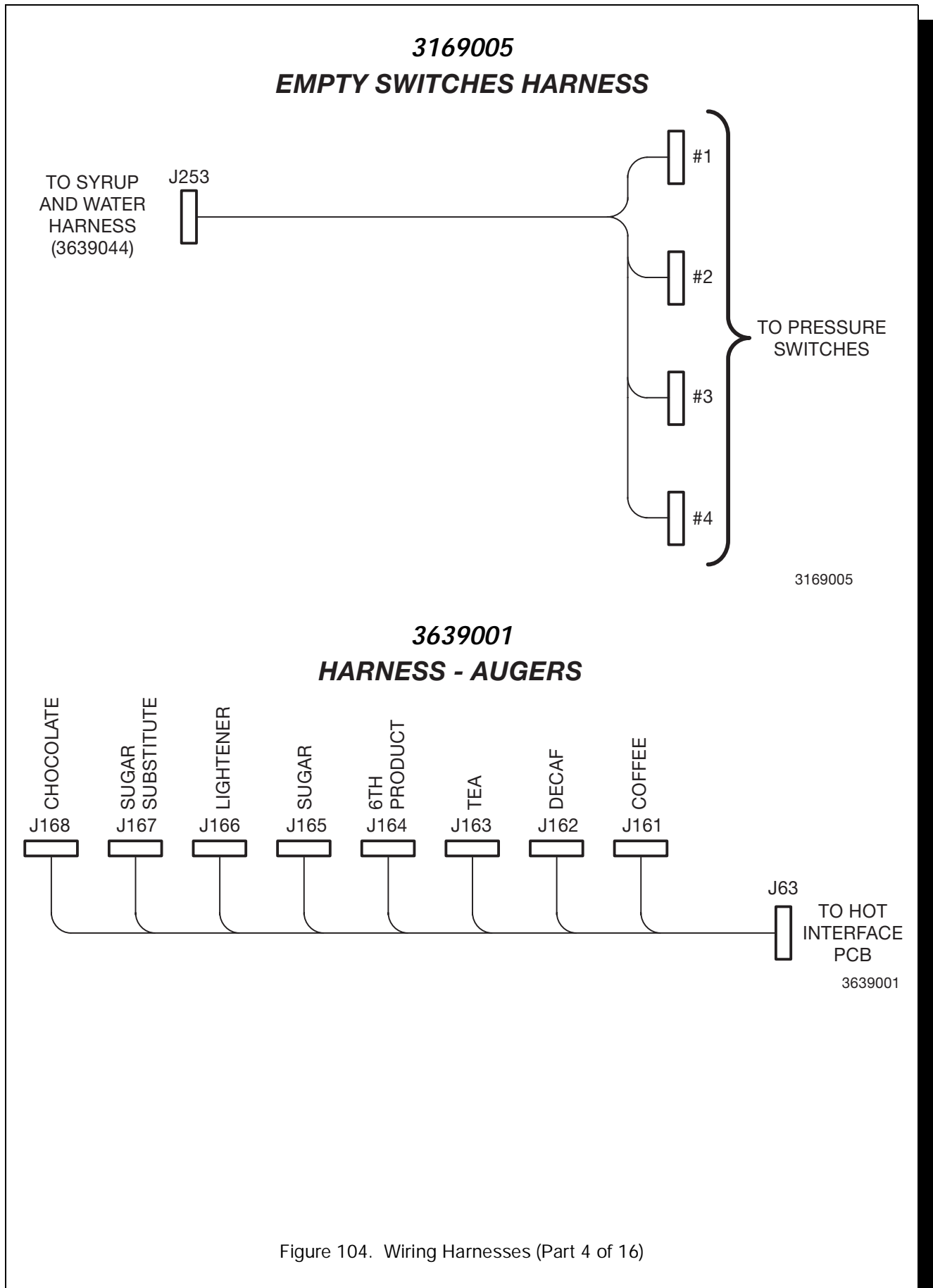
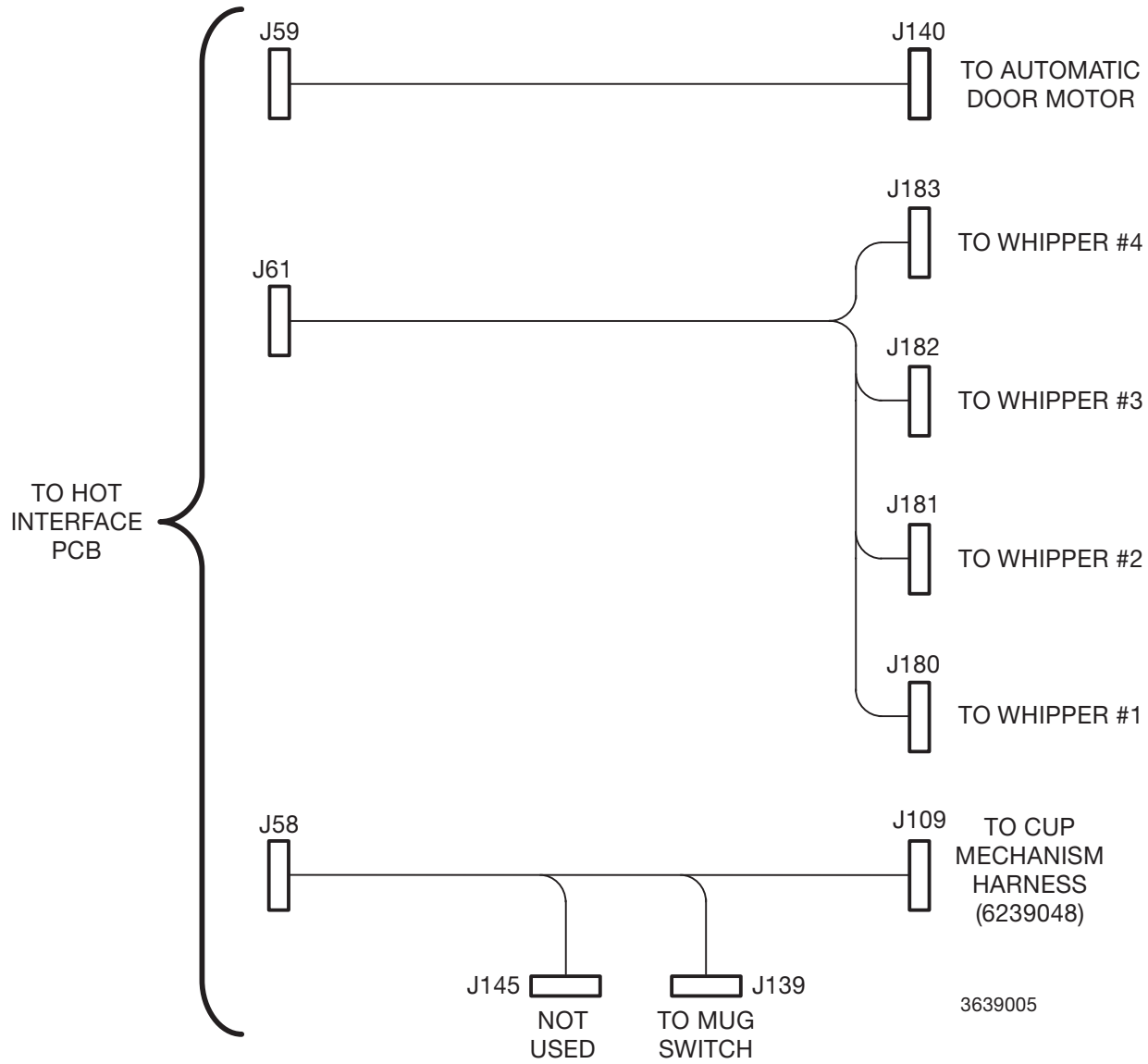


Figure 104. Wiring Harnesses (Part 4 of 16)



**3639005
DC CABINET HARNESS**



**3639008
CUP MECHANISM INTERFACE HARNESS**



Figure 104. Wiring Harnesses (Part 5 of 16)

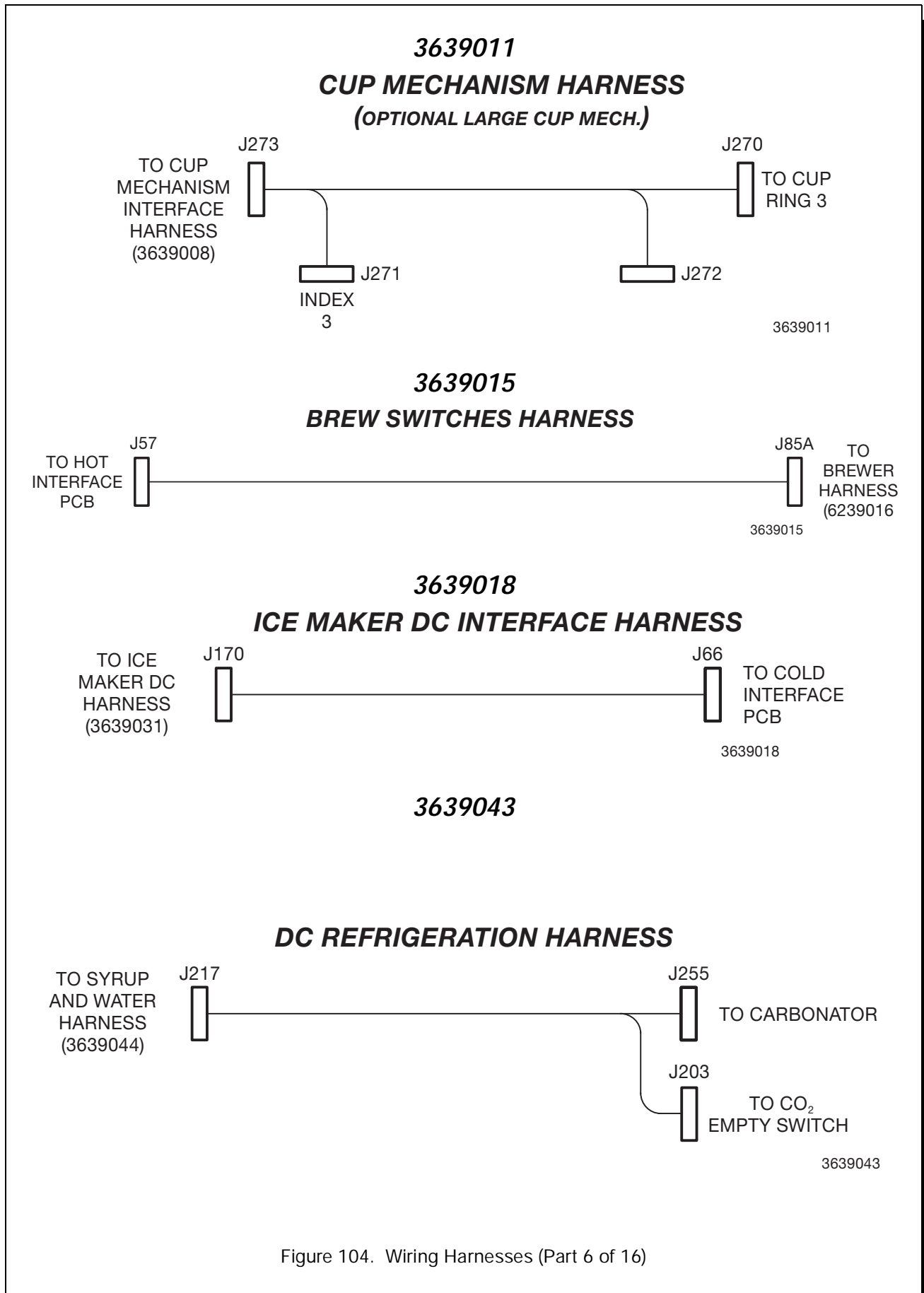


Figure 104. Wiring Harnesses (Part 6 of 16)

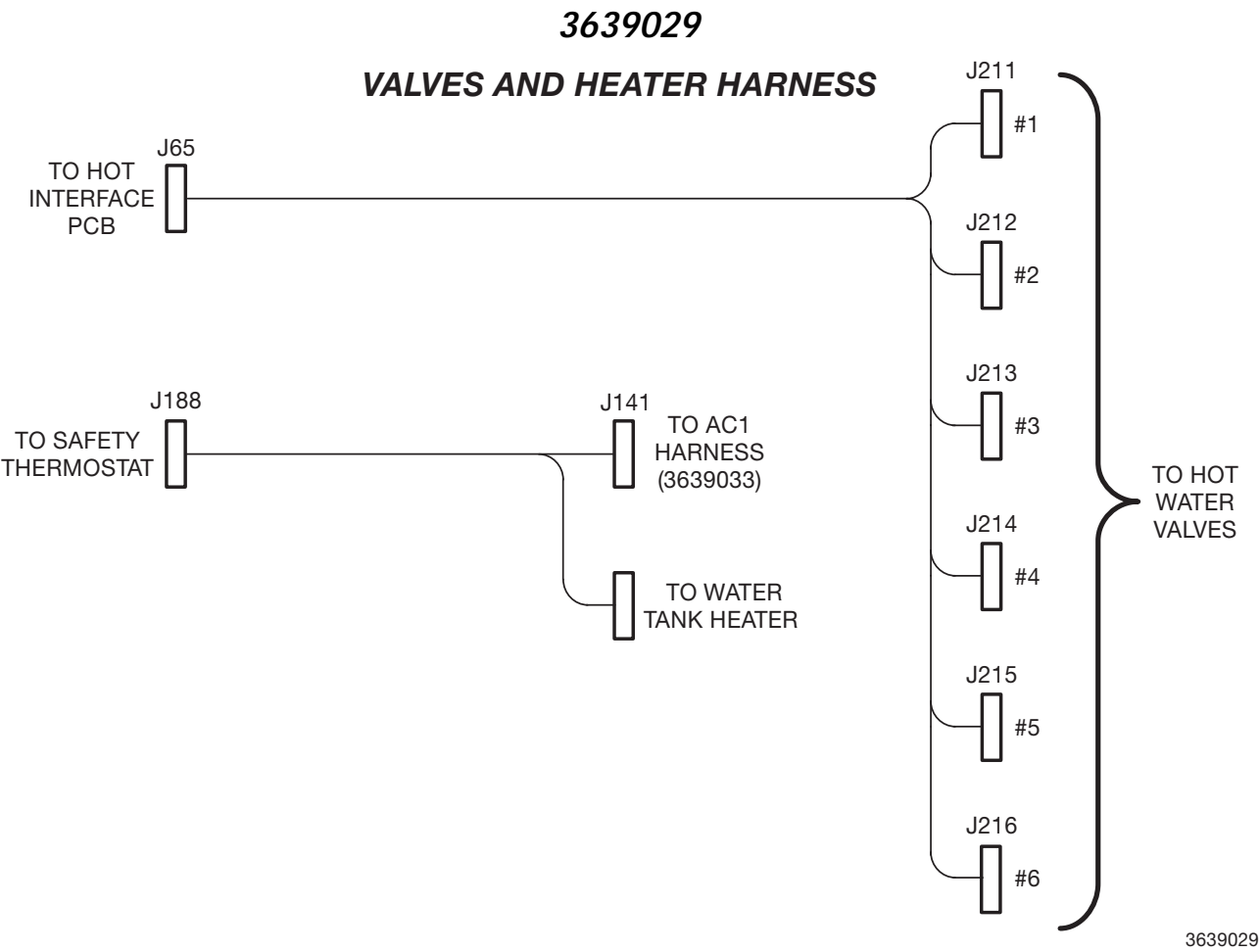
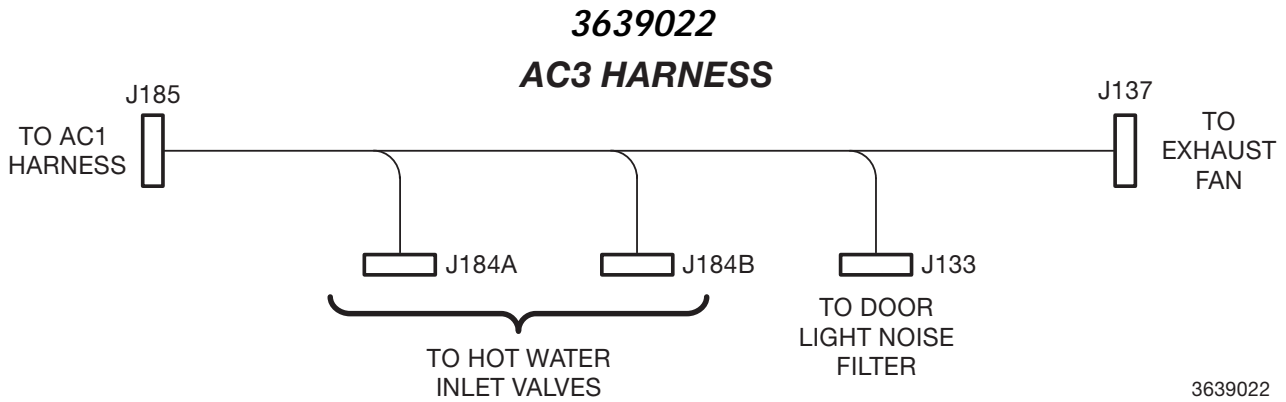
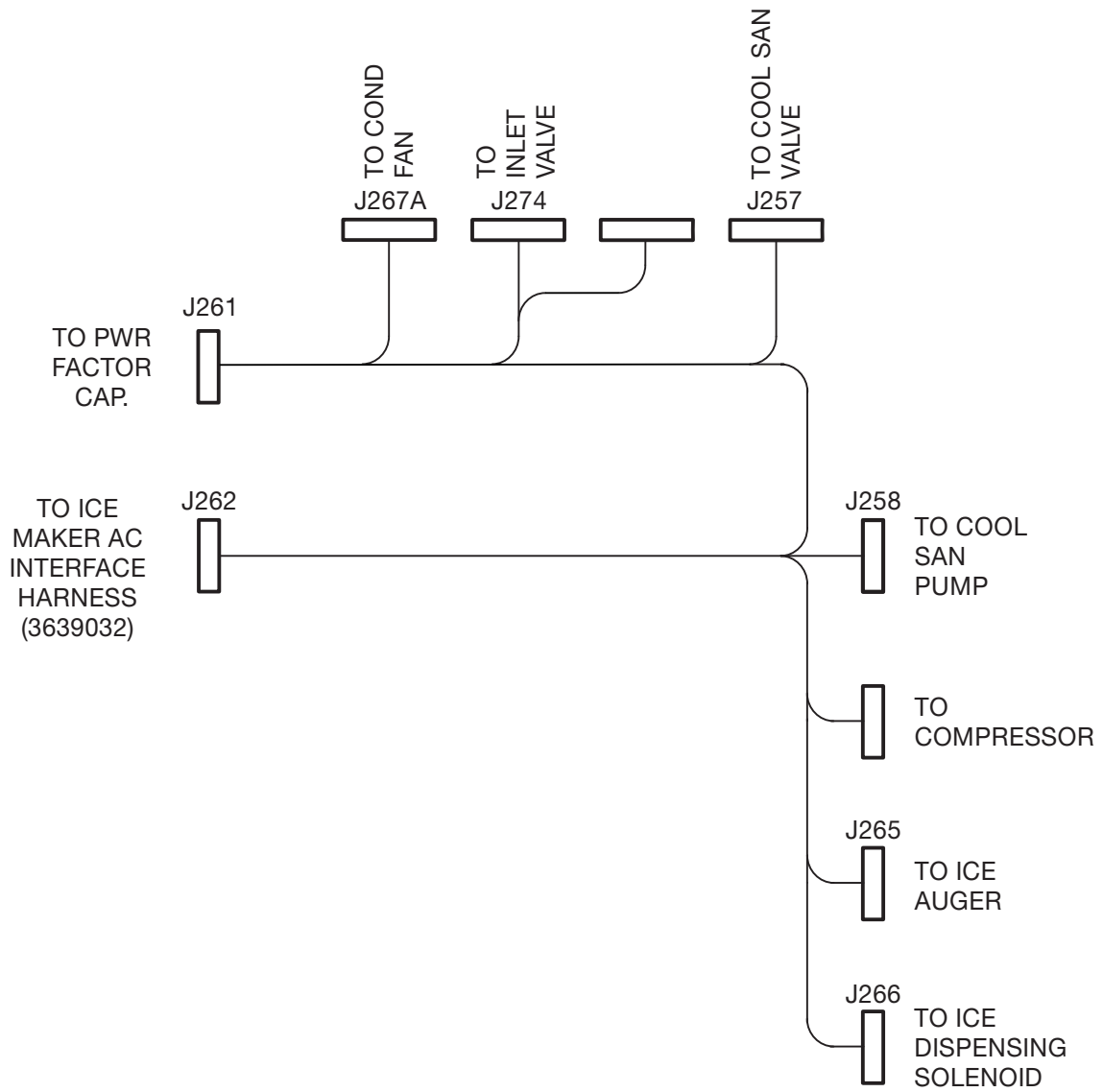


Figure 104. Wiring Harnesses (Part 7 of 16)



3639030
ICE MAKER AC HARNESS



3639030

Figure 104. Wiring Harnesses (Part 8 of 16)

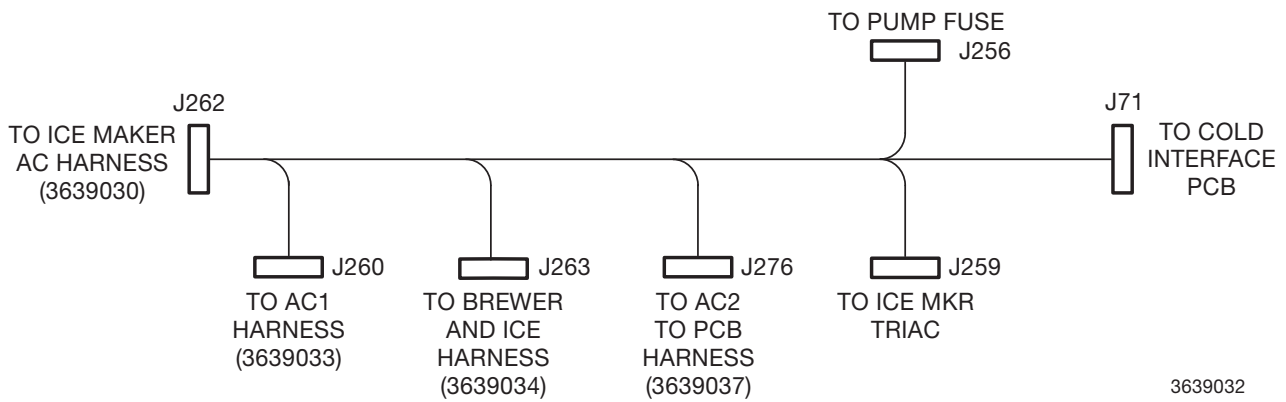


3639031
ICE MAKER DC HARNESS



3639031

3639032
ICE MAKER AC INTERFACE HARNESS



3639032

Figure 104. Wiring Harnesses (Part 9 of 16)

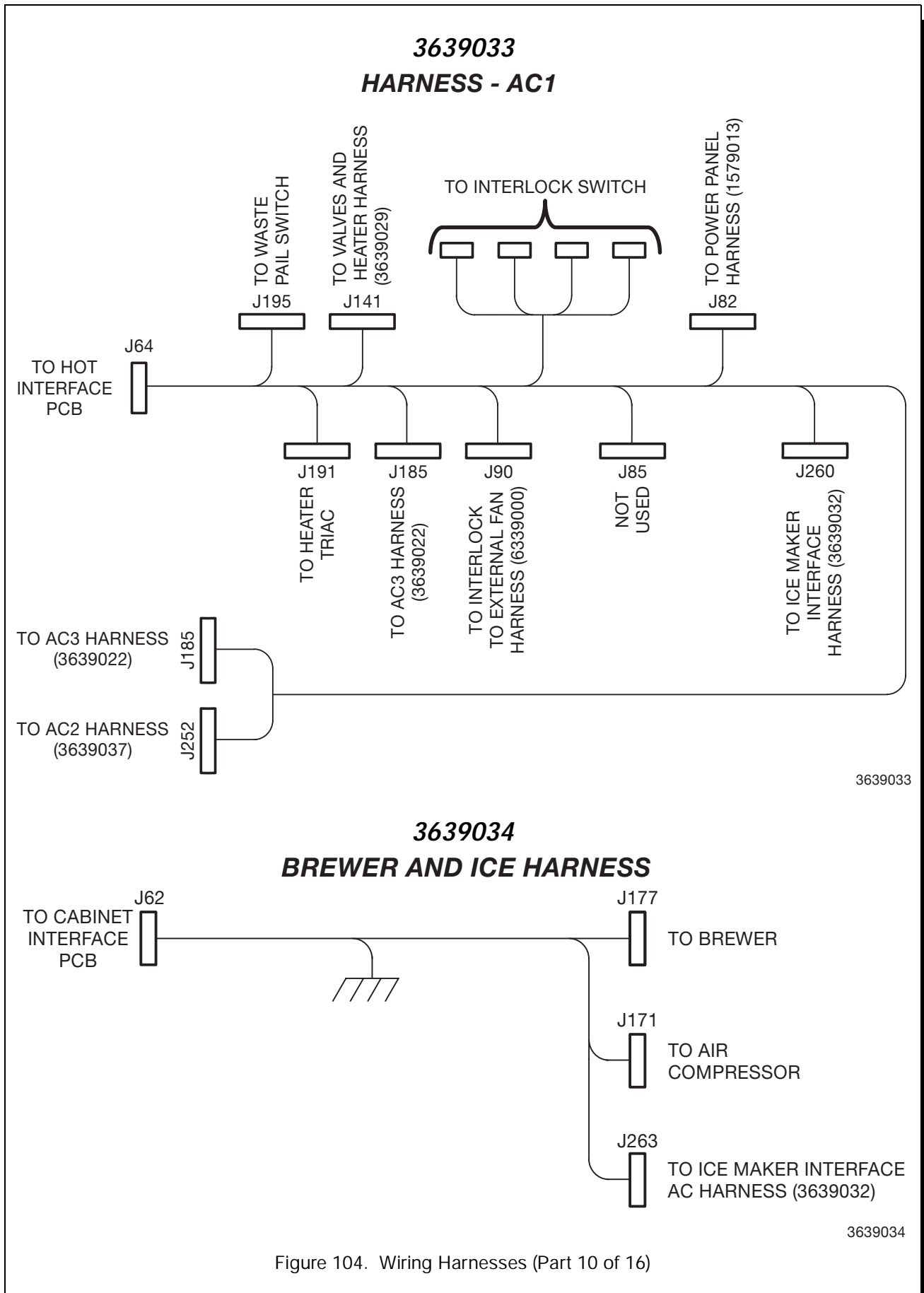
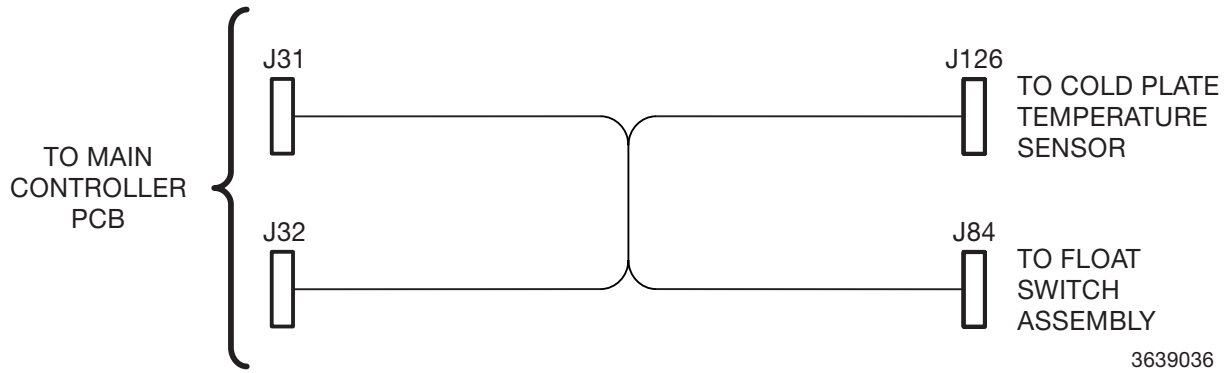


Figure 104. Wiring Harnesses (Part 10 of 16)



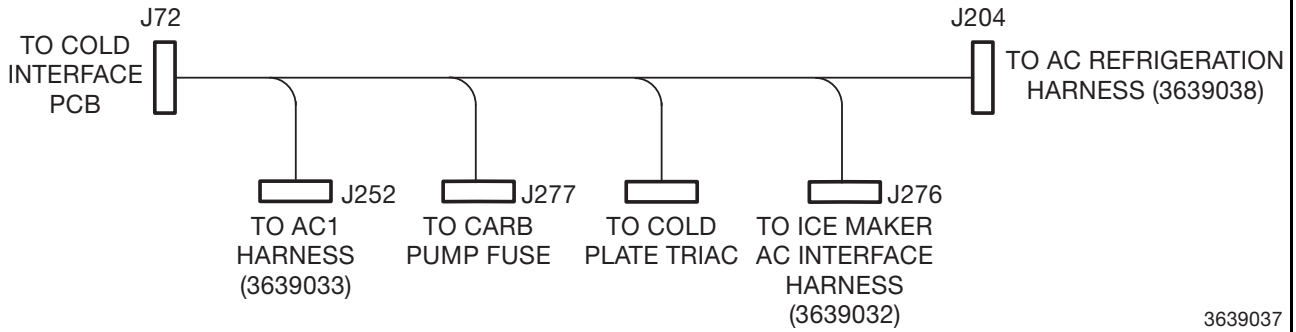
3639036

JUMPER-FLOAT AND TEMP SWITCHES



3639037

AC2 TO PCB HARNESS



3639042

JUMPER-FAN

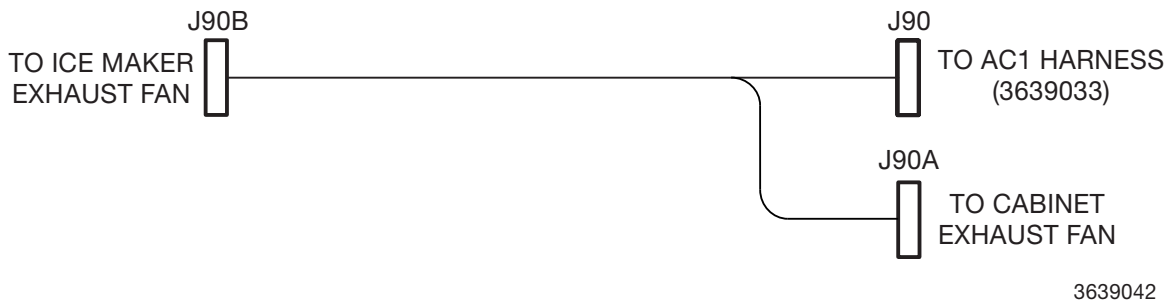


Figure 104. Wiring Harnesses (Part 11 of 16)

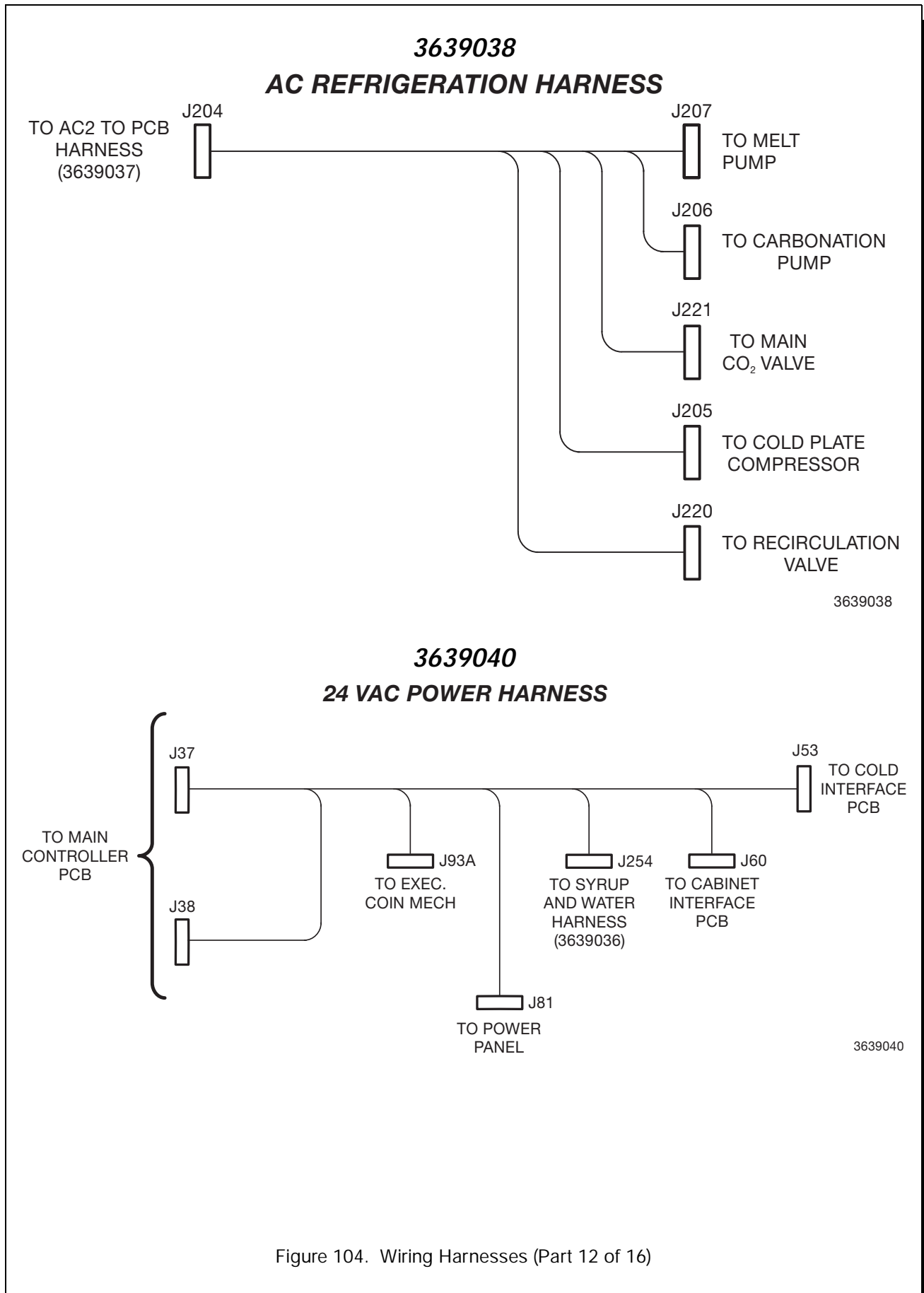
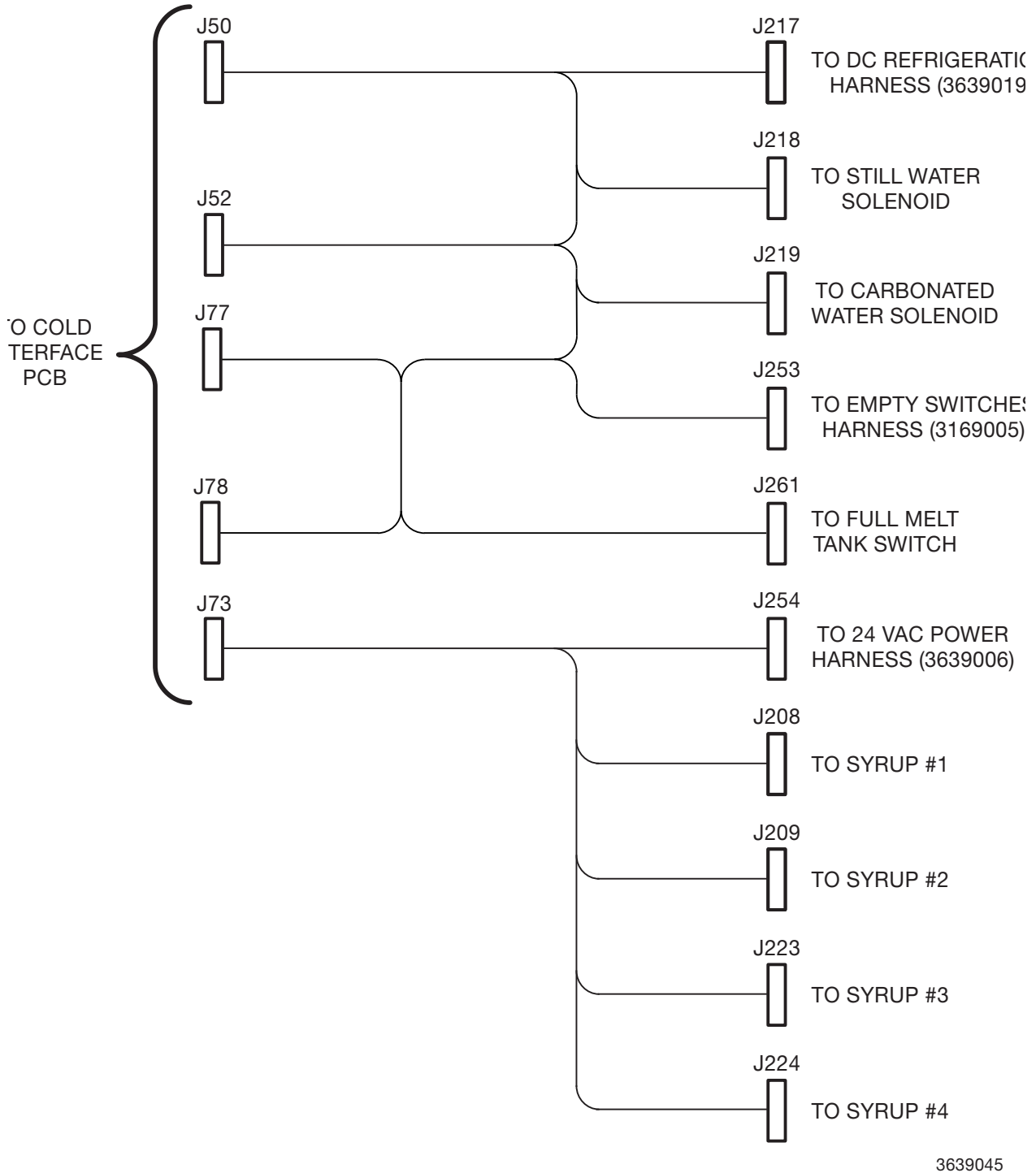


Figure 104. Wiring Harnesses (Part 12 of 16)



3639045

SYRUP AND WATER HARNESS



3639045

Figure 104. Wiring Harnesses (Part 13 of 16)

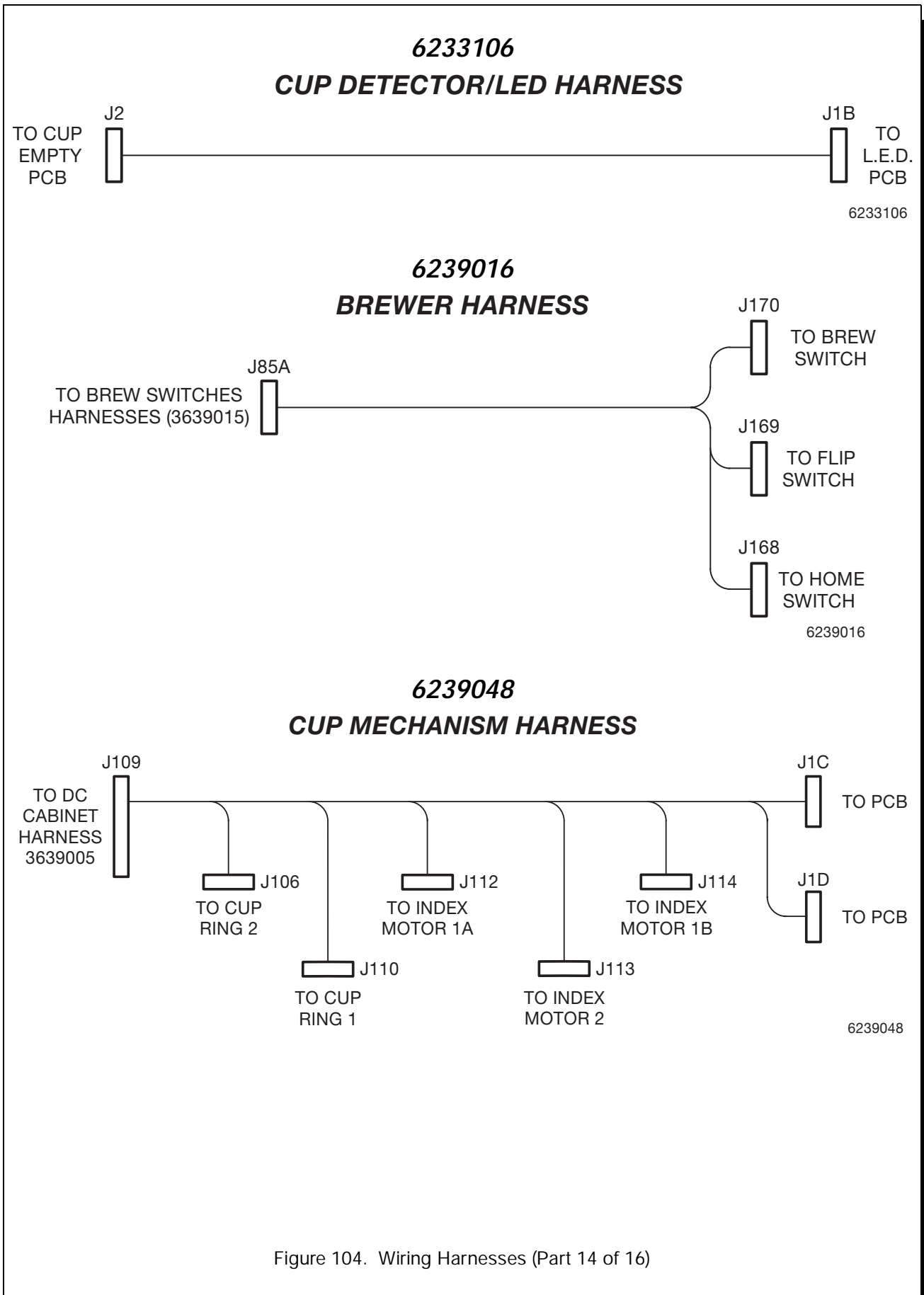
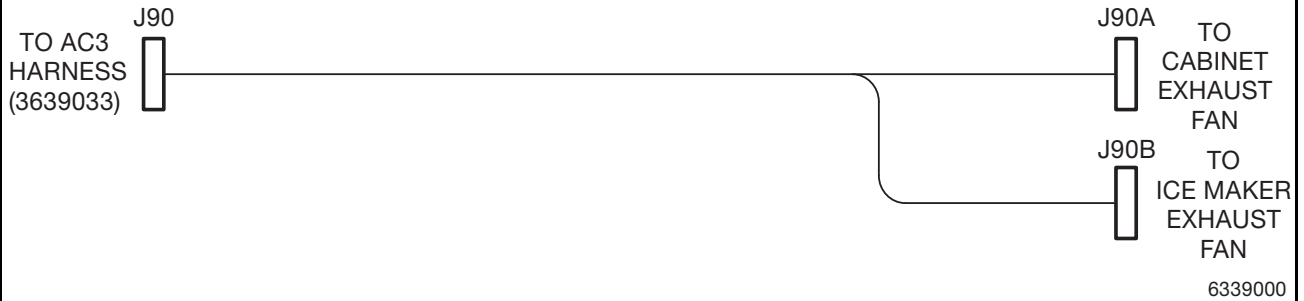


Figure 104. Wiring Harnesses (Part 14 of 16)



6339000
INTERLOCK TO EXHAUST HARNESS



6339006
FLUORESCENT LIGHT HARNESS
DOOR



6339007
JUMPER-CABINET SERVICE LIGHT



6339017
DISPLAY TO CONTROLLER FLAT CABLE



Figure 104. Wiring Harnesses (Part 15 of 16)

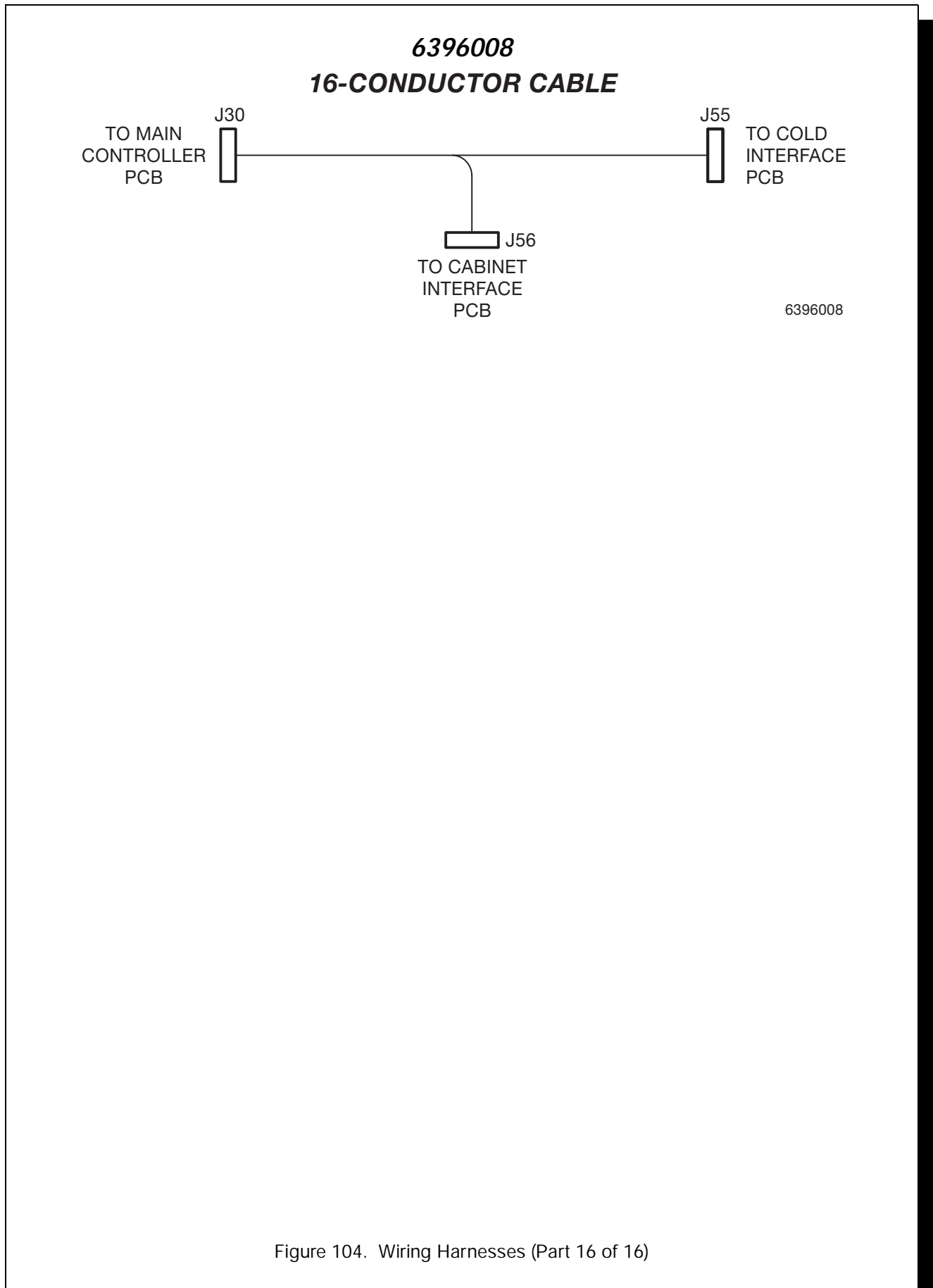


Figure 104. Wiring Harnesses (Part 16 of 16)



THIS PAGE INTENTIONALLY LEFT BLANK



PART NUMBER INDEX

Part Number	Page	Part Number	Page
1101906	87	1475107	39
1127808	37	1475119	183
1141054	59	1477020	73
1170206	99	1477113	73
1172021	7	1570057	127
1172190	51	1571009	33
1172191	51	1571021	211
1211105	31	1571035	127
1211110	127	1571038	41, 131
1211112	7	1571040	127
1211141	45, 211	1571042	45
1211161	101	1571048	129
1217159	109	1571065	129
1217160	109, 143	1571079	37
1217161	51	1571081	37
1300018	10, 12, 14, 16	1571083	89, 129
1302289	51	1571084	89, 131
1302290	51	1571103	7
1302291	51	1571113	37
1302324	51	1571115	7
1302326	51	1571154	37
1302409	19	1572010	47
1401110	35, 37	1572011	47
1437204	35	1572013	35
1451093	7	1572014	41
1451097	59, 143, 184, 185	1572015	41
1451124	75, 99, 212	1572016	41
1452076	99	1572196	49
1452139	99	1572199	53
1452151	77	1572200	53
1452203	19	1572201	53
1457027	59	1572202	53
1470761	87	1572203	53
1471054	91	1572204	53
1471055	81	1572209	29
1471098	7	1572210	29
1471237	7	1572212	29
1471283	7	1572214	25
1472178	49	1572215	25
1472222	29, 35	1572216	25
1472223	35	1572217	25
1472250	49	1572223	29
1472251	33	1572224	29
1475026	37	1572258	25
1475048	37	1572259	25
1475053	39	1572267	25
1475072	37	1572292	29
1475089	33	1572323	29
1475099	37	1575003	37

Twin Drink Center Parts Manual



Part Number	Page	Part Number	Page
1575012	40, 41	2346016	99, 214
1575013	40, 41	2366135	211
1575014	41	3014049	115
1575015	41	3014055	115
1575022	41	3014056	115
1575023	41	3014057	115
1575024	41	3014061	115
1575025	40	3014062	115
1575026	40, 41	3014064	119
1575029	37	3014069	117
1575034	41	3014073	119
1575035	41	3014081	115
1575036	41	3014101	115
1575037	41	3014149	117
1575039	41	3014152	117
1575040	41	3014157	117
1575044	35	3014251	117
1575048	38, 43	3014266	117
1575058	33	3014267	117
1575068	35, 37, 43	3014268	117
1577035	59, 69, 73	3014269	117
1579003	212	3102162	23
1579005	39, 212	3102447	183, 184
1579006	39, 213	3103133	103
1579010	211	3104172	115
1579011	211	3106154	99
1579013	127, 213	3107171	99
1579014	129, 131	3108013	197
1579016	129, 131	3108022	197
1579017	127, 213	3108038	197
1579028	39, 214	3108073	193, 199
1579032	39	3108141	73
1579050	39	3108163	197
1582086	27	3112163	51
1582200	27	3112164	51
2204093	37	3113003	123
2221920	87	3114078	115
2222095	75	3114079	115
2222096	99, 101	3114081	115
2222110	23	3114097	115
2222535	75	3114098	121
2222603	87	3114099	115
2222604	87	3114132	115
2271408	40	3116127	109
2272036	99	3118002	123
2272052	51	3118003	123
2301057	59, 69	3118005	123
2302053	29, 35, 47, 57, 67	3118006	123
2302223	167, 169	3118007	123
2304108	109	3118008	123
2342203	27	3118011	123
2342216	45	3118047	10, 12, 14, 16
2342315	73	3118088	12, 14, 16



Twin Drink Center Parts Manual

Part Number	Page	Part Number	Page
3120008	10, 12, 14, 16	3154023	119
3121150	109	3154024	119
3122056	37	3154025	119
3124105	117	3154026	119
3124106	115	3154031	119
3124168	115	3154040	119
3127100	209	3154042	119
3127101	209	3154063	119
3127102	209	3154064	121
3127107	209	3154067	119
3127109	209	3154077	119
3128092	165	3154079	119
3128128	123	3156032	75, 214
3128151	199	3157060	99, 101, 143, 189, 211
3128169	123	3157068	99
3128303	125, 193, 199	3157078	119
3128317	125, 193	3158026	10, 12, 14, 16
3143005	61, 69, 71	3158028	123
3143006	71	3158061	201
3143007	71	3158072	125
3143008	71	3167006	205
3143009	61, 71	3167010	193, 199
3143010	61, 71	3167012	197
3143011	61, 71	3167023	10, 14, 16
3143013	61, 71	3167025	199
3143015	61, 71	3167029	205
3143016	61, 71	3167101	205
3143017	61, 71	3167103	199
3143056	61	3167111	205
3143057	61	3167122	207
3143058	61	3167123	207
3143129	61, 71	3167124	199
3143130	61, 71	3167128	173
3146055	59	3167151	207
3148040	197	3167171	10, 14, 16
3148041	197	3169005	215
3148050	197	3178005	111
3148051	197	3281022	25
3148060	109	3502097	93, 187, 189
3148178	193, 197	3607001	175
3151058	75, 99	3607111	209
3152045	3	3607112	209
3152391	39	3617008	107
3152444	39	3618121	201
3152560	19	3630000	10, 12, 14, 16
3154013	117	3630006	10, 12, 14, 16
3154014	117	3630007	10, 12, 14, 16
3154015	117	3630035	16
3154016	117	3630038	10
3154017	117	3630039	12, 14, 16
3154018	117	3630733	3
3154019	117	3631019	89
3154021	119	3631025	31

Twin Drink Center Parts Manual



Part Number	Page	Part Number	Page
3631028	91	3632027	10, 12, 14, 16
3631032	91	3632028	10, 12, 14, 16
3631036	87	3632029	10, 12, 14, 16
3631037	45	3632030	10, 12, 14, 16
3631038	45	3632031	10, 12, 14, 16
3631051	87	3632032	10, 12, 16
3631060	107	3632033	27, 59
3631061	107	3632035	10
3631065	144	3632036	10, 12, 14, 16
3631066	201	3632037	10, 12, 14, 16
3631070	103	3632038	10, 12, 14, 16
3631071	103	3632039	10
3631074	109	3632040	10
3631076	105, 109	3632041	10
3631077	109	3632042	10
3631079	89, 127	3632043	10, 12
3631096	35	3632045	10, 12
3631104	1	3632046	10, 12
3631106	5	3632048	10, 12
3631108	5	3632049	79
3631109	59	3632050	79
3631113	191	3632051	10, 12
3631116	89	3632054	16
3631118	109	3632055	16
3631119	107	3632056	16
3631120	167	3632057	16
3631127	107	3632058	16
3631128	103	3632059	16
3631130	83, 103	3632060	16
3631132	1	3632061	16
3631145	205	3632062	16
3631151	85	3632063	17
3631160	87	3632064	17
3631163	191	3632070	12
3631164	191	3632071	12
3631166	105	3632072	12
3631172	87	3632073	12
3631175	103	3632074	12
3631176	103	3632076	10, 12
3632001	9	3632077	10, 12
3632007	19, 77	3632078	10, 12
3632008	77	3632079	10, 12
3632009	19	3632080	14
3632010	19	3632081	14
3632011	19	3632082	14
3632012	19	3632083	14
3632013	21	3632088	14
3632015	20	3632089	14
3632016	20	3632090	14
3632020	73	3632091	14
3632022	77	3632092	14
3632023	73, 77	3632093	14
3632026	10, 12	3632094	14



Twin Drink Center Parts Manual

Part Number	Page	Part Number	Page
3632095	14	3632265	19
3632098	15	3632266	19
3632099	15	3632267	19
3632100	15	3632268	21
3632101	17	3632269	21
3632102	17	3632270	21
3632105	10	3633001	55, 59
3632106	12	3633002	59
3632107	17	3633005	57
3632108	15	3633006	57
3632109	11	3633007	57
3632114	29	3633008	57
3632118	3	3633012	57, 65
3632120	1, 3	3633013	59
3632121	9	3633014	59
3632133	27	3633017	59
3632135	27	3633018	59
3632137	25	3633019	59
3632138	75	3633020	55
3632227	19	3633021	9, 55
3632228	19	3634010	144
3632229	19	3634011	89
3632230	19	3634016	144
3632231	19	3634018	144
3632232	19	3634034	85
3632233	19	3634042	83
3632234	19	3634054	113
3632235	19	3634055	113
3632236	19	3634056	125
3632237	20	3634151	85
3632238	20	3634156	113
3632239	20	3634168	87
3632240	20	3634170	85
3632241	21	3634171	85
3632242	21	3634172	85
3632243	21	3634173	113
3632244	21	3634174	111
3632245	21	3634186	113
3632246	21	3634192	113
3632247	21	3635002	37
3632248	21	3635004	33
3632249	21	3635013	33, 35
3632250	21	3636000	45
3632251	21	3637012	179
3632252	21	3637019	199
3632253	21	3638015	167
3632254	21	3638022	125, 193
3632255	21	3638023	191
3632256	20	3638024	191
3632257	20	3638029	193
3632258	20	3638033	197
3632259	20	3638035	197
3632263	19	3638036	193

Twin Drink Center Parts Manual



Part Number	Page	Part Number	Page
3638052	191, 195	4305043	99, 205
3638069	199	4311117	127
3638070	107	4311119	131
3638072	12, 15, 17	4311120	131
3638075	191	4311121	129, 131
3638088	105	4311192	5
3638097	199	4311193	5
3638105	191	4711020	107
3638106	191	4733035	59, 69
3638107	191	4744009	195
3638108	205	4751087	193, 199
3638109	205	4751162	87
3638110	205	4774027	113, 195
3638112	193	4774111	195
3638115	191	5220108	73
3638116	191	5580121	91
3638117	191, 199	5900096	39
3638118	191	5900097	39
3638119	191	5900112	39
3638123	193	5900116	39
3638126	193	5900182	39
3638127	199	5900192	39
3639001	215	5900193	39
3639005	216	5900198	39
3639008	216	5900205	39
3639011	59, 217	5900209	39
3639015	217	5900210	39
3639018	217	5900213	39
3639019	217	5900214	39
3639022	218	5900216	39
3639029	218	5900217	39
3639030	219	5900221	39
3639031	220	5900233	39
3639032	220	5900234	39
3639033	221	5900237	39
3639034	221	5900243	39
3639036	222	6104159	125
3639037	222	6104181	139
3639038	223	6104184	139
3639040	223	6104193	139
3639044	224	6104194	123
3641001	91	6104220	115
4041241	59	6104429	123
4047054	109	6106107	139
4047061	53	6108007	193
4111093	91	6108065	167
4242145	31	6112042	123
4245082	47	6114121	57, 61, 71
4245083	47	6117010	107
4245084	47	6118106	95
4245186	143	6124073	97
4302316	143	6131066	63
4304092	113, 195	6134152	139



Twin Drink Center Parts Manual

Part Number	Page	Part Number	Page
6134155	139	6231431	103
6134173	139	6231432	103
6134178	139	6231443	103
6134192	139	6231488	103
6134197	139	6231489	103
6137157	179	6231492	103
6138080	123	6231495	103
6138181	57, 65, 67	6231515	39
6138183	97	6231516	167
6138287	97	6231526	81, 85
6154214	173	6231528	81
6154226	193, 199	6231537	105
6154232	173	6231539	105
6154284	173	6231548	93
6154285	173	6231550	93
6154286	173	6231553	93
6154287	173	6231555	81, 93
6154288	173	6231559	99, 101
6154289	173	6232017	21
6154290	173	6232019	21
6204211	140	6232028	31
6204229	139	6232030	15
6230066	11	6232031	31
6230067	11, 13	6232036	31
6230071	11	6232039	21
6230805	3, 9, 73	6232041	11
6231033	167	6232042	77
6231034	7	6232043	77
6231036	83	6232047	73
6231037	37	6232051	11
6231074	93	6232052	11
6231087	5	6232054	11
6231098	91	6232055	11, 13
6231154	167	6232056	11
6231163	7	6232057	11, 13
6231164	9	6232058	11, 13
6231169	167	6232061	11, 13
6231178	187, 189	6232062	11, 13
6231189	45	6232064	15
6231197	135, 137	6232065	73
6231203	7	6232068	75
6231210	187	6232070	77
6231213	135, 137	6232071	77
6231218	9	6232072	21
6231220	135, 137	6232079	73
6231232	99	6232080	11
6231242	87	6232084	73
6231319	187, 189	6232085	73
6231371	181	6232086	11, 13
6231372	99	6232088	11, 13, 14, 16
6231376	184	6232089	73
6231413	103	6232091	73
6231430	103	6232096	73

Twin Drink Center Parts Manual



Part Number	Page	Part Number	Page
6232102	9	6232258	17
6232106	17	6232259	17
6232108	17	6232260	17
6232124	13	6232262	17
6232125	13	6232263	73
6232128	15	6232293	135, 137
6232130	17	6232305	99, 101
6232131	17	6232311	21
6232136	15	6232323	21
6232137	15	6232325	11, 13
6232138	15	6232509	17
6232139	15	6232510	15
6232140	15	6233001	69
6232141	15	6233007	15, 63, 69
6232150	13	6233010	59, 69
6232151	13	6233012	59, 69
6232152	13	6233013	59, 69
6232157	13	6233014	59, 69
6232158	75	6233016	69
6232159	75	6233018	69
6232160	73	6233019	69
6232161	17	6233021	59
6232165	21	6233028	59, 69
6232170	9	6233030	65, 67
6232173	15	6233031	69
6232175	13	6233037	69
6232176	15	6233048	57, 65, 67
6232177	13	6233058	59, 69
6232180	21	6233061	65, 67
6232184	15	6233062	59
6232188	21	6233065	59
6232190	9	6233072	59
6232192	21	6233073	9, 69
6232195	15	6233074	9, 69
6232198	15	6233077	59, 63, 69
6232201	21	6233082	69
6232207	11, 13	6233088	67
6232208	31	6233089	67
6232218	15	6233092	65
6232221	21	6233093	65
6232225	21	6233095	57, 65, 67
6232228	17	6233100	9, 63
6232232	21	6233101	63, 69
6232241	21	6233102	63
6232245	17	6233103	63, 67
6232246	17	6233105	59, 69
6232247	17	6233106	59, 225
6232248	17	6233107	59, 69
6232249	17	6233108	65
6232251	17	6233109	65, 67
6232252	17	6233114	15
6232253	17	6233115	15
6232256	17	6234000	89, 137



Twin Drink Center Parts Manual

Part Number	Page	Part Number	Page
6234001	135, 137, 140	6234514	143
6234002	135, 137	6234515	143
6234007	135, 137	6234516	89
6234008	135, 137	6234600	137, 141
6234010	135	6234601	137
6234104	135	6234603	141
6234106	73	6234607	141
6234110	140	6234608	137
6234116	140	6234612	141
6234118	140	6234614	141
6234120	140	6234615	141
6234200	135, 137	6234616	137
6234205	135, 137	6234619	141
6234207	139	6234620	141
6234213	139	6234626	141
6234215	135, 137	6234628	141
6234220	135, 137	6234634	141
6234222	135, 137, 140	6234803	135
6234223	135, 137	6234979	133
6234225	135, 137	6234981	173
6234240	135, 137	6237003	155
6234243	135, 137	6237008	159
6234250	140	6237014	147, 149, 151, 153, 155, 157, 159, 161
6234256	140	6237019	147, 149, 155, 157
6234260	140	6237020	155
6234261	140	6237023	147, 149, 151, 153, 159, 161
6234270	135, 137	6237026	149, 155, 159, 161
6234271	135, 137	6237046	147, 149, 151
6234273	135, 137	6237049	155
6234274	140	6237051	167
6234275	140	6237052	167
6234278	140	6237053	147, 149, 151, 157, 159, 181
6234279	143	6237062	155, 157
6234288	135, 137	6237063	11, 13, 14, 16, 155, 159, 161
6234289	135, 137	6237069	155, 157
6234292	140	6237074	183
6234293	135, 137	6237077	183
6234294	89, 143	6237080	13, 147, 149, 153, 157
6234295	135, 137, 140	6237095	157
6234297	137	6237106	151
6234301	135, 137	6237108	147, 149
6234302	139	6237110	171
6234303	135, 137, 143	6237111	171
6234305	139	6237114	171
6234308	135, 137	6237115	167, 169
6234310	135, 137, 143	6237116	147, 149, 151, 153, 159, 161
6234328	135, 137, 139	6237117	11, 13, 14, 16
6234335	173	6237118	167, 171
6234357	187	6237119	171
6234359	187	6237125	169
6234361	167	6237126	169
6234375	135, 137, 139	6237127	169
6234510	143		

Twin Drink Center Parts Manual



Part Number	Page	Part Number	Page
6237128	169	6237455	177
6237157	171	6237460	177
6237165	183	6237470	177
6237167	147, 149, 151, 153, 159, 161	6238026	95
6237170	183, 184	6238042	95
6237176	151, 153, 159, 161	6238068	97
6237177	147, 149	6238074	95
6237178	147, 149, 153, 159, 161	6238075	95
6237179	151	6238084	97
6237180	151	6238104	83
6237181	147, 149, 151, 153, 159, 161	6238105	83
6237184	184	6238112	95
6237192	171	6238113	95
6237193	171	6238136	95
6237194	171	6238137	95
6237195	167, 169, 171	6239009	101
6237205	187, 189	6239016	143, 225
6237241	163, 165	6239048	69, 225
6237276	165	6239053	101
6237277	165	6240823	181
6237279	165	6241008	181
6237280	165	6241009	181
6237281	165	6263002	63
6237287	165	6272001	79
6237293	165	6330041	16
6237301	177, 179	6330828	39
6237303	177	6331009	167
6237306	171	6331039	81, 93
6237312	171	6332006	75
6237315	167, 169	6332009	75
6237333	177	6332010	75
6237335	177	6332025	9
6237336	177	6332027	11, 13
6237337	179	6332029	17
6237340	93	6332030	15
6237342	93	6332034	17
6237347	11, 13, 14, 16	6332044	21
6237352	89, 133	6332045	20
6237353	133	6332100	20
6237354	133	6332103	20
6237356	183, 184	6332105	20
6237423	145, 157	6332107	20
6237435	145	6332109	20
6237436	184, 185	6332111	20
6237437	185	6332113	20
6237438	185	6332115	20
6237439	147	6332117	20
6237445	145, 153	6332119	20
6237446	145, 151	6332122	20
6237447	145, 147	6332124	20
6237448	145, 149	6332126	20
6237449	145, 159	6332128	20
6237450	145, 161	6332130	20



Twin Drink Center Parts Manual

Part Number	Page	Part Number	Page
6332137	20	6396008	227
6332138	21	6398046	197
6332139	21	6398049	197
6332140	20	6398065	193
6333003	57, 65, 67	6398066	193
6334000	189	6398102	197
6334001	143	6398112	193, 197, 199
6334002	89, 143	6400002	39
6334005	89, 143	6400003	39
6334007	143	6401088	93
6334008	189	6404034	59
6334009	189	6404054	144
6334010	189	6404060	144
6334011	143	6404061	144
6334012	143	6404111	144
6334016	173	6408027	87
6334019	135, 137	6408028	87
6335002	35	6408117	125, 193, 201, 203
6336000	45	6408119	201, 203
6337015	163, 165	6408143	11, 13, 15, 17
6337017	167	6508033	97
6337020	147, 151, 153, 155, 157	6508103	201, 203
6337023	145, 155	9000081	67
6337025	155	9082699	203
6337027	157	9900011	23
6337030	155	9900034	59
6337031	155	9900081	23, 43, 57, 65, 95, 99, 101, 127, 129, 131, 173, 189
6337049	179	9900098	5
6337052	163	9900115	67, 173
6337054	163	9900118	101
6337057	167	9900121	51
6337059	179	9900415	147, 149, 151, 153, 159, 161
6337060	167, 171	9900418	121
6337082	179	9900425	73
6338002	95	9984165	99, 101, 127, 129, 131, 189, 211
6338003	95	9984624	127, 129
6338007	95	9984627	131
6338027	203	9984630	33
6338032	83	9985887	143
6338041	95	9988208	143
6338044	83, 95	9989042	127, 129, 131
6338046	95, 97	9989100	127, 129, 131
6338047	97	9989336	127
6338049	97	9989369	127, 129, 131
6338050	97	9989639	35
6338051	97	9989659	127
6338053	95	9989673	127
6339000	226	9989674	129, 131
6339006	75, 226	9989678	45
6339007	226	9989682	91
6339017	226	9989685	37
6367005	163	9992400	51
6367006	163		



Part Number	Page	Part Number	Page
B		W	
B3630000	9, 10	WD3630004	10
B3630001	12	WD363003	16
B3630002	16	WD363005	12, 14
B3630003	14		
P		Symbols	
PS363000	10, 12, 14, 16	+3638068	205