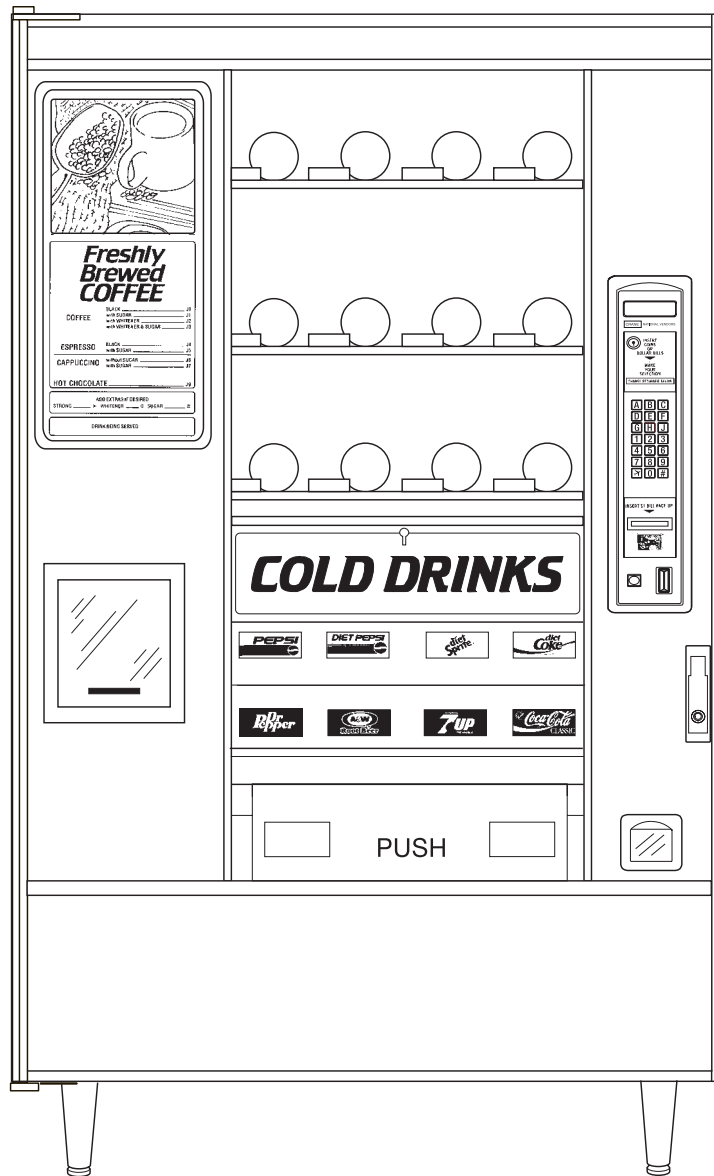


Models 785, 786, 788, 789

# Refreshment Center 3



## PARTS MANUAL

12955 Enterprise Way  
Bridgeton, Missouri 63044-1200  
(314) 298-3500

7850000

Copyright 4-99



# LIST OF FIGURES

FIGURE .....	PAGE
1. 785/786/788/789 MERCHANDISER .....	1
2. COMMON CABINET (PART 1 OF 2) .....	2
3. COMMON CABINET (PART 2 OF 2) .....	4
6. POWER PANEL ASSEMBLY - MODELS 788, 789 (U.K.) .....	6
7. POWER PANEL ASSEMBLY - MODELS 788, 789 (FRANCE & GERMANY) .....	8
8. POWER PANEL ASSEMBLY - 120 VOLT MODELS 785, 786 .....	10
9. MONETARY PANEL ASSEMBLY (PART 1 OF 4) .....	12
10. MONETARY PANEL ASSEMBLY (PART 2 OF 4) .....	14
11. MONETARY PANEL ASSEMBLY (PART 3 OF 4) .....	16
12. MONETARY PANEL ASSEMBLY (PART 4 OF 4) - MILLENNIA STYLING .....	18
13. MONETARY INSERTS - UPPER POSITION .....	20
14. MONETARY INSERTS - LOWER POSITION .....	21
15. CARD READER AND BILL VALIDATOR COMBINATIONS .....	22
16. CANDY TRAY ASSEMBLY (PART 1 OF 2) .....	26
17. CANDY TRAY ASSEMBLY (PART 2 OF 2) .....	28
18. SNACK TRAY ASSEMBLY (PART 1 OF 2) .....	30
19. SNACK TRAY ASSEMBLY (PART 2 OF 2) .....	32
20. GUM AND MINT TRAY ASSEMBLY (PART 1 OF 2) .....	34
21. GUM AND MINT TRAY ASSEMBLY (PART 2 OF 2) .....	36
24. BASE PLATE ASSEMBLY .....	38
25. DOOR ASSEMBLY .....	40
26. DOOR GLASS AND GLASS RETAINING COMPONENTS (MILLENNIA STYLING) .....	44
27. HORIZONTAL TRIM AND GLASS CHANNEL ASSEMBLY (MILLENNIA STYLING) .....	46
28. COMMON TRIM AND PANEL COMPONENTS - STANDARD STYLING .....	48
29. COMMON TRIM AND PANEL COMPONENTS - MILLENNIA STYLING (PART 1 OF 2) .....	54
30. COMMON TRIM AND PANEL COMPONENTS - MILLENNIA STYLING (PART 2 OF 2) .....	56
31. COIN RECEPTACLE ASSEMBLIES .....	58
32. LIGHT ASSEMBLY - UPPER DOOR .....	60
33. FLUORESCENT SIDE LIGHT ASSEMBLY .....	62
34. DOOR LOCK AND HANDLE ASSEMBLY (STANDARD STYLING) .....	64
35. DOOR LOCK AND HANDLE ASSEMBLY (MILLENNIA STYLING) .....	66
36. GUM AND MINT ASSEMBLY (PART 1) .....	68
37. GUM AND MINT ASSEMBLY (PART 2) .....	70
38. GUM AND MINT ASSEMBLY (PART 3) .....	72
39. DELIVERY PAN ASSEMBLY .....	74
40. DELIVERY PAN ASSEMBLY DOOR LOCK MECHANISM - 1 OF 2 (FOOD MODULE MACHINES ) .....	76
41. DELIVERY PAN ASSEMBLY DOOR LOCK MECHANISM - 2 OF 2 (FOOD MODULE MACHINES )) .....	78
42. LEG, LEVELER, AND LEG AND HINGE ASSEMBLIES .....	80
43. CAN AND REFRIGERATION MODULE .....	82
44. MOTOR AND EJECTOR MOUNTING CHANNEL ASSEMBLY .....	84
45. CAN UNIT FRAME ASSEMBLY .....	86
46. CAN COMPARTMENT ASSEMBLY .....	88
47. REFRIGERATION MODULE ASSEMBLY - CHILLED SNACK - NO FOOD/NO CAN (788, 789).....	90
48. REFRIGERATED FOOD MODULE AND HOUSING ASSEMBLY .....	92
49. MAJOR COMPONENTS - REFRIGERATED FOOD MODULE .....	94
51. REFRIGERATED AND FROZEN FOOD MODULE DOOR FRAME ASSEMBLY .....	98
52. REFRIGERATED AND FROZEN FOOD MODULE - INTERIOR VIEW (PART 1 OF 2) .....	100
53. REFRIGERATED AND FROZEN FOOD MODULE - INTERIOR VIEW (PART 2 OF 2) .....	102
54. GENERAL TRAY ASSEMBLIES - REFRIGERATED AND FROZEN FOOD MODULE .....	104
55. PUSHER MODULE ASSEMBLY .....	106
56. BELT MODULE ASSEMBLY .....	108

# Expanded Refreshment Center Parts Manual

FIGURE .....	PAGE
57. SPIRAL MODULE ASSEMBLY .....	110
59. DOOR ASSEMBLY - REFRIGERATED FOOD MODULE.....	112
60. LEFT HAND DRIVE ARM ASSEMBLY .....	114
61. RIGHT HAND DRIVE ARM ASSEMBLY .....	116
62. MOTOR MOUNTING BRACKET ASSEMBLY.....	118
63. FROZEN FOOD MODULE AND HOUSING ASSEMBLY .....	120
64. MAJOR COMPONENTS - FROZEN FOOD MODULE .....	122
65. DOOR ASSEMBLY - FROZEN FOOD MODULE .....	124
66. HOT DRINK MODULE (MODELS 785 AND 788).....	126
67. HOT DRINK MODULE (MODELS 786 AND 789).....	128
68. FRESH BREW COFFEE SHELF ASSEMBLY .....	130
69. FRESH BREW CHOCOLATE SHELF ASSEMBLY .....	132
70. CHOCOLATE/FREEZE DRY COFFEE SHELF ASSEMBLY (PART 1 OF 2).....	134
71. CHOCOLATE/FREEZE DRY COFFEE SHELF ASSEMBLY (PART 2 OF 2) (786/789).....	136
72. SUGAR/LIGHTENER DISPENSING SYSTEM (785/788 WITHOUT COFFEE WHIPPER).....	138
73. SUGAR AND LIGHTENER DISPENSING SYSTEM (785/788 WITH COFFEE WHIPPER) .....	140
74. SUGAR/LIGHTENER DISPENSING SYSTEM (786/789) .....	142
75. DRY INGREDIENT (SUGAR/LIGHTENER) SHELF ASSEMBLY.....	144
76. FRESH BREW COFFEE CANISTER ASSEMBLY .....	146
77. FREEZE DRY CANISTER ASSEMBLY (786 ONLY).....	148
78. CHOCOLATE CANISTER ASSEMBLY .....	150
79. SUGAR CANISTER ASSEMBLY.....	152
80. LIGHTENER CANISTER ASSEMBLY .....	154
81. BLOWER AND MOUNTING ASSEMBLY.....	156
82. BREWER DRIVE ASSEMBLY .....	158
83. BREWER ASSEMBLY - NO FILTER .....	160
84. BREWER BASKET ASSEMBLY.....	164
85. BASKET LEVER ASSEMBLY.....	166
86. FUNNEL ASSEMBLY.....	168
87. BREWER BARREL ASSEMBLY.....	170
88. OVERFLOW SWITCH ASSEMBLY .....	172
89. CUP TURRET ASSEMBLY .....	174
90. CUP DISPENSER ASSEMBLY .....	176
91. CUP STATION ASSEMBLY .....	180
92. COVER AND PCB ASSEMBLY.....	182
93. WATER INLET ASSEMBLY - NO FILTER OPTION/EVERPURE OPTION .....	184
94. WATER INLET ASSEMBLY - HYDROLIFE OPTION.....	186
95. WATER TANK ASSEMBLY .....	188
96. WATER TANK LID ASSEMBLY .....	190
97. VALVE ASSEMBLY - HOT WATER TANK .....	192
98. BRACKET AND AIR PRESSURE CONTROL ASSEMBLY.....	194
99. WIRING DIAGRAM (PART 1) .....	201
100. WIRING DIAGRAM (PART 2) .....	202
101. WIRING DIAGRAM (PART 3) .....	203
110. ACCESSORIES (DOOR LOCK GUARD).....	217
111. ACCESSORIES (HARNESSES) .....	218

# LIST OF TABLES

TABLE		PAGE
2.	COMMON CABINET (PART 1 OF 2) .....	3
4.	COVER AND AIR DUCT ASSEMBLY .....	5
5.	MISCELLANEOUS CABINET INSULATION .....	5
3.	COMMON CABINET (PART 2 OF 2) .....	5
6.	POWER PANEL ASSEMBLY - MODELS 788, 789 (U.K.) .....	7
7.	POWER PANEL ASSEMBLY - MODELS 788, 789 (FRANCE & GERMANY) .....	9
8.	POWER PANEL ASSEMBLY - 120 VOLT MODELS 785, 786 .....	11
9.	MONETARY PANEL ASSEMBLY (PART 1 OF 4) .....	13
10.	MONETARY PANEL ASSEMBLY (PART 2 OF 4) .....	15
11.	MONETARY PANEL ASSEMBLY (PART 3 OF 4) .....	17
12.	MONETARY PANEL ASSEMBLY (PART 4 OF 4) - MILLENNIA STYLING .....	19
15.	CARD READER AND BILL VALIDATOR COMBINATIONS .....	23
16.	CANDY TRAY ASSEMBLY (PART 1 OF 2) .....	27
17.	CANDY TRAY ASSEMBLY (PART 2 OF 2) .....	29
18.	SNACK TRAY ASSEMBLY (PART 1 OF 2) .....	31
19.	SNACK TRAY ASSEMBLY (PART 2 OF 2) .....	33
20.	GUM AND MINT TRAY ASSEMBLY (PART 1 OF 2) .....	35
22.	SPIRAL OPTIONS .....	37
23.	PRICE ROLLS FOR TRAYS .....	37
21.	GUM AND MINT TRAY ASSEMBLY (PART 2 OF 2) .....	37
24.	BASE PLATE ASSEMBLY .....	39
25.	DOOR ASSEMBLY .....	41
26.	DOOR GLASS AND GLASS RETAINING COMPONENTS (MILLENNIA STYLING) .....	45
27.	HORIZONTAL TRIM AND GLASS CHANNEL ASSEMBLY (MILLENNIA STYLING) .....	47
28.	COMMON TRIM AND PANEL COMPONENTS - STANDARD STYLING .....	49
29.	COMMON TRIM AND PANEL COMPONENTS - MILLENNIA STYLING (PART 1 OF 2) .....	55
30.	COMMON TRIM AND PANEL COMPONENTS - MILLENNIA STYLING (PART 2 OF 2) .....	57
31.	COIN RECEPTACLE ASSEMBLIES .....	59
32.	LIGHT ASSEMBLY - UPPER DOOR .....	61
33.	FLUORESCENT SIDE LIGHT ASSEMBLY .....	63
34.	DOOR LOCK AND HANDLE ASSEMBLY (STANDARD STYLING) .....	65
35.	DOOR LOCK AND HANDLE ASSEMBLY (MILLENNIA STYLING) .....	67
36.	GUM AND MINT ASSEMBLY (PART 1) .....	69
37.	GUM AND MINT ASSEMBLY (PART 2) .....	71
38.	GUM AND MINT ASSEMBLY (PART 3) .....	73
39.	DELIVERY PAN ASSEMBLY .....	75
40.	DELIVERY PAN ASSEMBLY DOOR LOCK MECHANISM - PART 1 OF 2 .....	77
41.	DELIVERY PAN ASSEMBLY DOOR LOCK MECHANISM - PART 2 OF 2) .....	79
42.	LEG, LEVELER, AND LEG AND HINGE ASSEMBLIES .....	81
43.	CAN AND REFRIGERATION MODULE .....	83
44.	MOTOR AND EJECTOR MOUNTING CHANNEL ASSEMBLY .....	85
45.	CAN UNIT FRAME ASSEMBLY .....	87
46.	CAN COMPARTMENT ASSEMBLY .....	89
47.	REFRIGERATION MODULE ASSEMBLY - NO FOOD/NO CAN (MODELS 788, 789) .....	91
48.	REFRIGERATED FOOD MODULE AND HOUSING ASSEMBLY .....	93
49.	MAJOR COMPONENTS - REFRIGERATED FOOD MODULE .....	95
50.	REFRIGERATION UNIT COMPONENTS .....	97
51.	REFRIGERATED AND FROZEN FOOD MODULE DOOR FRAME ASSEMBLY .....	99
52.	REFRIGERATED AND FROZEN FOOD MODULE - INTERIOR VIEW (PART 1 OF 2) .....	101
53.	REFRIGERATED AND FROZEN FOOD MODULE - INTERIOR VIEW (PART 2 OF 2) .....	103
54.	GENERAL TRAY ASSEMBLIES - REFRIGERATED AND FROZEN FOOD MODULE .....	105

# Expanded Refreshment Center Parts Manual

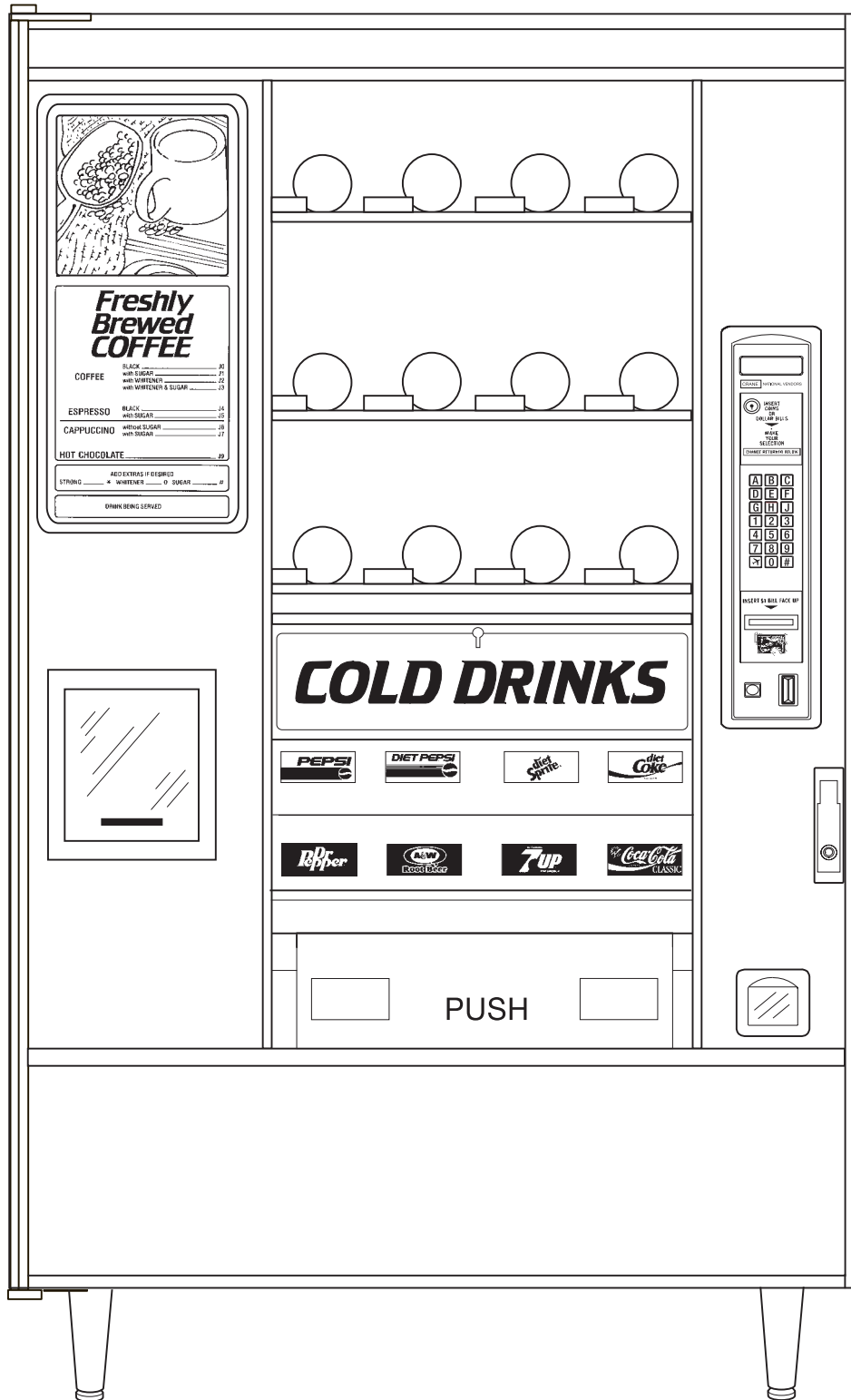
TABLE	PAGE
55. PUSHER MODULE ASSEMBLY .....	107
56. BELT MODULE ASSEMBLY .....	109
58. SPIRAL OPTIONS (FOR REFRIGERATED / FROZEN FOOD TRAYS) .....	111
57. SPIRAL MODULE ASSEMBLY .....	111
59. DOOR ASSEMBLY - REFRIGERATED FOOD MODULE .....	113
60. LEFT HAND DRIVE ARM ASSEMBLY .....	115
61. RIGHT HAND DRIVE ARM ASSEMBLY .....	117
62. MOTOR MOUNTING BRACKET ASSEMBLY .....	119
63. FROZEN FOOD MODULE AND HOUSING ASSEMBLY .....	121
64. MAJOR COMPONENTS - FROZEN FOOD MODULE .....	123
65. DOOR ASSEMBLY - FROZEN FOOD MODULE .....	125
66. HOT DRINK MODULE (MODELS 785 AND 788) .....	127
67. HOT DRINK MODULE (MODELS 786 AND 789) .....	129
68. FRESH BREW COFFEE SHELF ASSEMBLY .....	131
69. FRESH BREW CHOCOLATE SHELF ASSEMBLY .....	133
70. CHOCOLATE/FREEZE DRY COFFEE SHELF ASSEMBLY (PART 1 OF 2) .....	135
71. CHOCOLATE/FREEZE DRY COFFEE SHELF ASSEMBLY (PART 2 OF 2) (786/789) .....	137
72. SUGAR/LIGHTENER DISPENSING SYSTEM (785/788 WITHOUT COFFEE WHIPPER) .....	139
73. SUGAR AND LIGHTENER DISPENSING SYSTEM (785/788 WITH COFFEE WHIPPER) .....	141
74. SUGAR/LIGHTENER DISPENSING SYSTEM (786/789) .....	143
75. DRY INGREDIENT (SUGAR/LIGHTENER) SHELF ASSEMBLY .....	145
76. FRESH BREW COFFEE CANISTER ASSEMBLY .....	147
77. FREEZE DRY CANISTER ASSEMBLY (786 ONLY) .....	149
78. CHOCOLATE CANISTER ASSEMBLY .....	151
79. SUGAR CANISTER ASSEMBLY .....	153
80. LIGHTENER CANISTER ASSEMBLY .....	155
81. BLOWER AND MOUNTING ASSEMBLY .....	157
82. BREWER DRIVE ASSEMBLY .....	159
83. BREWER ASSEMBLY - NO FILTER .....	161
84. BREWER BASKET ASSEMBLY .....	165
85. BASKET LEVER ASSEMBLY .....	167
86. FUNNEL ASSEMBLY .....	169
87. BREWER BARREL ASSEMBLY .....	171
88. OVERFLOW SWITCH ASSEMBLY .....	173
89. CUP TURRET ASSEMBLY .....	175
90. CUP DISPENSER ASSEMBLY .....	177
91. CUP STATION ASSEMBLY .....	181
92. COVER AND PCB ASSEMBLY .....	183
93. WATER INLET ASSEMBLY - NO FILTER OPTION/EVERPURE OPTION .....	185
94. WATER INLET ASSEMBLY - HYDROLIFE OPTION .....	187
95. WATER TANK ASSEMBLY .....	189
96. WATER TANK LID ASSEMBLY .....	191
97. VALVE ASSEMBLY - HOT WATER TANK .....	193
99. POWER CORDS .....	195
98. BRACKET AND AIR PRESSURE CONTROL ASSEMBLY .....	195
98. WIRE HARNESSSES .....	197
100. BAG ASSEMBLY B4840001 .....	205
101. BAG ASSEMBLY B7880000 .....	206
102. BAG ASSEMBLY B7850003 .....	207
103. BAG ASSEMBLY B4880007 .....	208
104. BAG ASSEMBLY B4880010 .....	209
105. BAG ASSEMBLY B4880009 .....	210

# Expanded Refreshment Center Parts Manual

TABLE	PAGE
106. BAG ASSEMBLY B7850000 .....	211
107. BAG ASSEMBLY B7850002 .....	212
108. BAG ASSEMBLY B7850004 .....	213
109. BAG ASSEMBLY B7850005 .....	214
110. BAG ASSEMBLY B7850006 .....	215
112. MONEY BOX LOCK ACCESSORY .....	216
111. BAG ASSEMBLY B7860000 .....	216
113. ACCESSORIES (DOOR LOCK GUARD) .....	217







157p0290

Figure 1. 785/786/788/789 Merchandiser

# Refreshment Center 3 Parts Manual

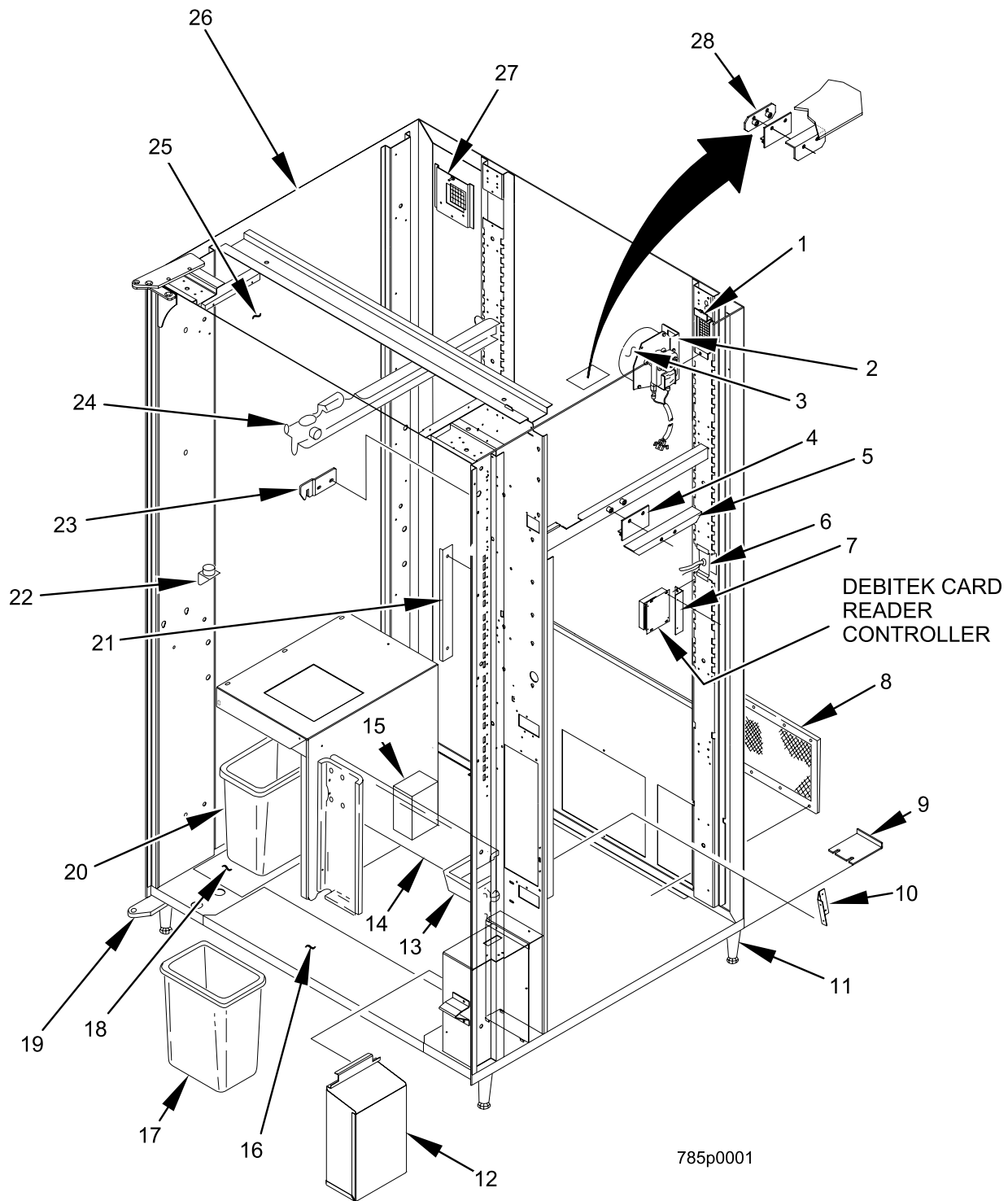


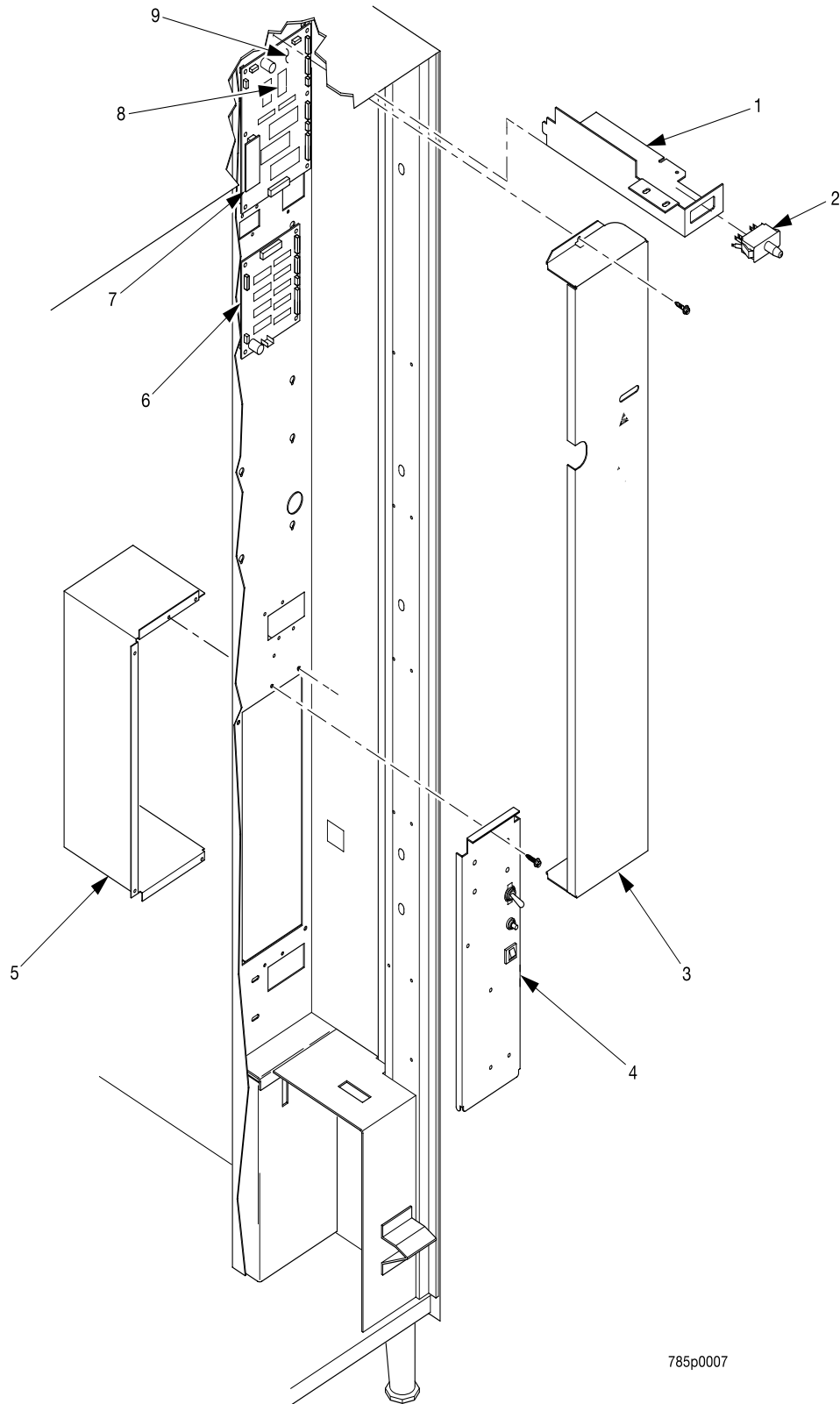
Figure 2. Common Cabinet (Part 1 of 2)

# Refreshment Center 3 Parts Manual

**TABLE 2. COMMON CABINET (PART 1 OF 2)**

INDEX	PART NUMBER	DESCRIPTION	QTY
1	1471054	BRACKET & SCREEN ASSEMBLY - EXHAUST	1
	1471090	COVER - FAN HOLE (NO FAN OPTION ONLY)	OPT
2	1471398	BRACKET - EXHAUST FAN	1
3	6231548	BLOWER ASSEMBLY - 120V	1
	6401088	BLOWER ASSEMBLY - 230V	
4	1596012	PCB ASSEMBLY - TRAY	1
5	1571229	SHIELD - TRAY RAIL/PCB	OPT.
6	4751203	BRACKET-MTG-POWER CORD	1
7	1575050	BRACKET - DEBITEK CONTROLLER	OPT.
8	1581067	PLATE - CABINET BACK (USED WITH NO REFRIGERATION OPTION)	OPT.
	4521021	SCREEN ASSEMBLY - VENT	
9	4741065	STANDOFF - MACHINE CABINET	2
10	4851038	GUSSET - CHANNEL BRACE (6 TRAY ONLY)	1
11	1471237	LEG & LEVELER ASSEMBLY - CABINET (SEE FIGURE 42 FOR DETAILS)	3
12	1571029	MONEY BOX ASSEMBLY	1
13	6231242	CHUTE - PAYOUT	1
14	4851036	BRACE ASSEMBLY - CHANNEL (6 TRAY ONLY)	1
15	4851053	TRANSFORMER & COVER ASSEMBLY (788, 789 CHILLED W/NO FOOD/CAN OPTION)	1
16	4971042	BASE FILLER ASSEMBLY - N.V. BLACK	1
	4971044	BASE FILLER ASSEMBLY - MILL. GRAY	
17	4751162	PAIL - 8.5" SQ X 13.0"	1
18	4851033	BASE - BUCKET	1
19	6231163	LEG, HINGE & LEVELER ASSEMBLY (SEE FIGURE 42 FOR DETAILS)	1
20	7851005	GROUNDS BUCKET - SHORT	1
21	1571022	STOP - MONETARY PANEL	1
22	4751050	BRACKET - PRESSURE GAUGE	1
23	1571074	LOCK ARM - CABINET	2
24	1571181	TRAY GUIDE RAIL ASSEMBLY - LEFT HAND (ALL TRAYS)	*
25	4971041	TOP FILLER ASSEMBLY - N.V. BLACK	1
	4971043	TOP FILLER ASSEMBLY - MILL. GRAY	
26	4851093	CABINET WELD ASSEMBLY - N.V. BLACK	1
	4851094	CABINET WELD ASSEMBLY - MILL. GRAY	
27	6131041	SCREEN ASSEMBLY - CABINET BACK	1
28	1571175	PLATE - PCB RAIL - MOUNTING	1
-	1571235	TRAY GUIDE RAIL/PCB ASSEMBLY - RIGHT HAND (NOT SHOWN)	OPT.
-	1571236	TRAY GUIDE RAIL ASSEMBLY - RIGHT HAND (TOP TRAY) (NOT SHOWN)	1

# Refreshment Center 3 Parts Manual



785p0007

Figure 3. Common Cabinet (Part 2 of 2)

# Refreshment Center 3 Parts Manual

**TABLE 3. COMMON CABINET (PART 2 OF 2)**

INDEX	PART NUMBER	DESCRIPTION	QTY
1	1586017	MAIN CONTROLLER WITH EPROM	1
2	1211141	SWITCH INTERLOCK (115V MACHINES)	1
	2366135	SWITCH INTERLOCK (230V MACHINES)	
3	1571112	COVER - CONTROL/INTERFACE PCB	1
4	-	POWER PANEL ASSEMBLY	1
5	1576008	PCB ASSEMBLY - SNACK INTERFACE	1
6	9989687	PCB ASSEMBLY - EXECUTIVE INTERFACE (USED WITH EXEC COIN MECH. OPTION)	1
-	9989687	PCB ASSEMBLY - EXECUTIVE INTERFACE (AUSTRALIA) (NOT SHOWN)	1

**TABLE 4. COVER AND AIR DUCT ASSEMBLY**

PART NUMBER	DESCRIPTION	QTY
4611007	SHUTTER - AIR DUCT	12
4641025	COVER - AIR DUCT - BLACK	2
4614126	GASKET - AIR DUCT	2
4641054	INSULATION - AIR DUCT RIGHT HAND SIDE - BLACK (INTERNATIONAL MODELS)	1
4641078	INSULATION - AIR DUCT RIGHT HAND SIDE - WHITE (U.S. MODELS)	

**TABLE 5. MISCELLANEOUS CABINET INSULATION**

PART NUMBER	DESCRIPTION
4614118	INSULATION - REFRIG. HOUSING - TOP (MODELS 788/789)
4747020	INSULATION - SIDE (MODELS 788/789)
4747022	INSULATION - TOP (MODELS 788/789)
4747024	INSULATION - BOTTOM (MODELS 788/789)
4747040	INSULATION - FRONT SEAL (MODELS 788/789)
4747041	INSULATION - REAR SEAL (MODELS 788/789)
4747063	INSULATION - SIDE SEAL (MODELS 788/789)
4747170	INSULATION - BACK (MODELS 788/789)
4881009	INSULATION - BLACK - LEFT SIDE - BOTTOM (MODELS 788/789)
4881035	INSULATION - BLACK - LEFT SIDE - TOP (MODELS 788/789)
4881037	INSULATION - CABINET TOP - 32" - BLACK (MODELS 788/789)
4311067	INSULATION BLOCK - BOTTOM/RIGHT (MODEL 785)

# Refreshment Center 3 Parts Manual

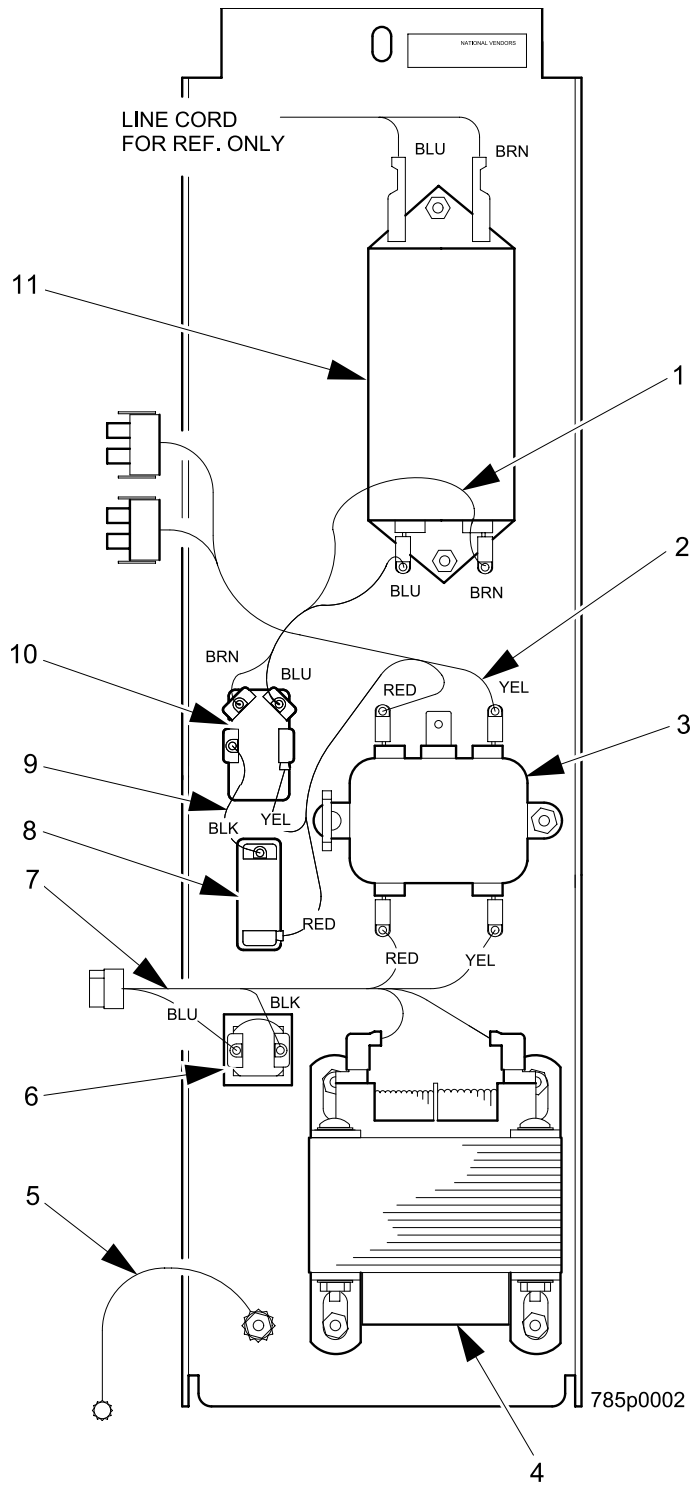


Figure 6. Power Panel Assembly - Models 788, 789 (U.K.)

# Refreshment Center 3 Parts Manual

**TABLE 6. POWER PANEL ASSEMBLY - MODELS 788, 789 (U.K.)**

INDEX	PART NUMBER	DESCRIPTION	QTY
-	4521020	POWER PANEL ASSEMBLY - U.K. - 230V	REF
1	1709002	JUMPER - MAIN LINE FILTER	1
2	1709000	HARNESS - POWER PANEL - FOREIGN	1
3	9989100	INTERFERENCE FILTER	1
4	9989046	TRANSFORMER - 24V - DUAL PIR. - .187 TERM.	1
5	9984165	JUMPER - GROUND WIRE	1
6	9989674	CIRCUIT BREAKER - 4 AMP	1
7	1709001	JUMPER - TRANSFORMER - FOREIGN	1
8	9989672	CIRCUIT BREAKER - 15 AMP	1
9	1709006	JUMPER - MAIN SWITCH TO BREAKER	1
10	9984629	SWITCH - TOGGLE - DPST - 20 AMP	1
11	9989110	FILTER - POWER LINE - EMI	1

# Refreshment Center 3 Parts Manual

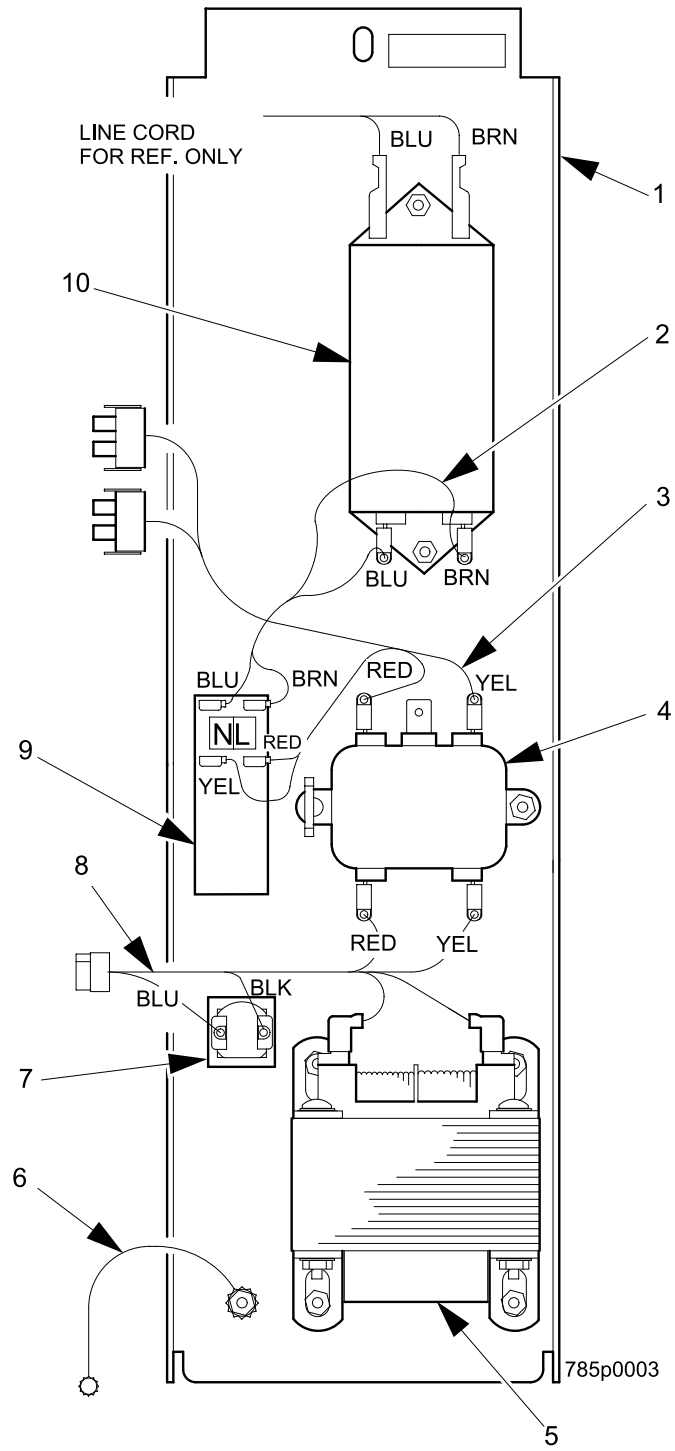


Figure 7. Power Panel Assembly - Models 788, 789 (France & Germany)

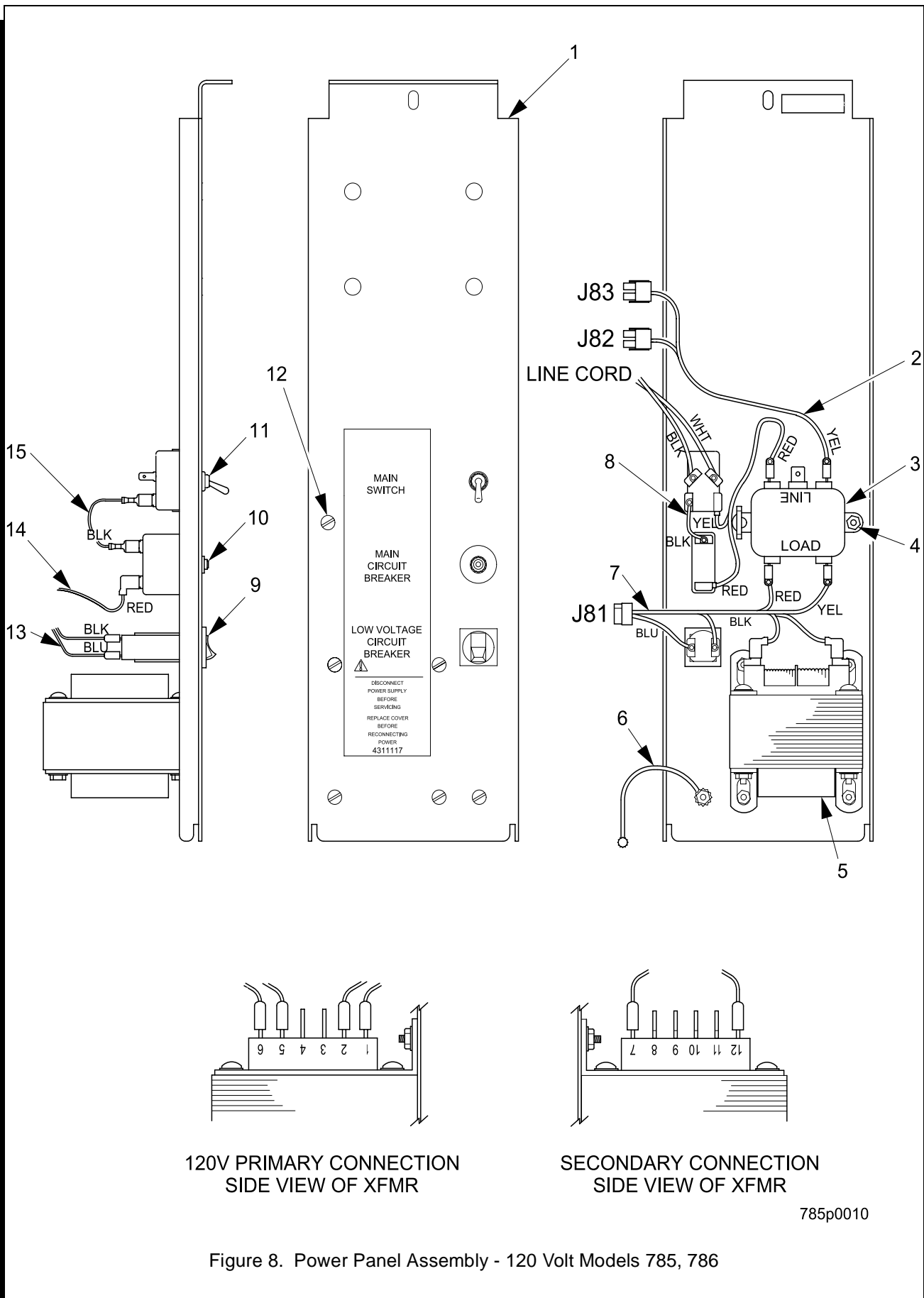


# Refreshment Center 3 Parts Manual

**TABLE 7. POWER PANEL ASSEMBLY - MODELS 788, 789 (FRANCE & GERMANY)**

INDEX	PART NUMBER	DESCRIPTION	QTY
-	4521041	POWER PANEL ASSEMBLY - 230V FR/GR	1
1	4521036	PLATE - HOUSING - PANEL - FR/GER	1
2	1709002	JUMPER - MAIN LINE FILTER	1
3	1709000	HARNESS - POWER PANEL - FOREIGN	1
4	9989100	INTERFERENCE FILTER	1
5	9989046	TRANSFORMER - DUAL PIR. - .187 TERM.	1
6	9984165	JUMPER - GROUND WIRE	1
7	9989674	CIRCUIT BREAKER - 4 AMP	1
8	1709001	JUMPER - TRANSFORMER - FOREIGN	1
9	9984627	CIRCUIT BREAKER - SWITCH - 16 AMP	1
10	9989110	FILTER - POWER LINE - EMI	1

# Refreshment Center 3 Parts Manual



# Refreshment Center 3 Parts Manual

**TABLE 8. POWER PANEL ASSEMBLY - 120 VOLT MODELS 785, 786**

INDEX	PART NUMBER	DESCRIPTION	QTY
-	3281081	POWER ASSEMBLY - DOMESTIC - 20A	-
1	1679055	HARNESS - POWER PANEL	1
2	9989100	INTERFERENCE FILTER	1
3	9984094	24V XFMR - DUAL PIR. - .187 TERM	1
4	9984094	WIRE - GROUND - 14"	1
5	9989674	CIRCUIT BREAKER - 4 AMP	1
6	1709001	JUMPER - TRANSFORMER - FOREIGN	1
7	9989673	CIRCUIT BREAKER - 20A	1
8	1709006	JUMPER - MAIN SWITCH TO BREAKER	1
9	9984629	SWITCH - TOGGLE - DPST - 20AMP	1
10	1701025	PLATE - HOUSING - PANEL	1
-	6849015	JUMPER - POWER SWITCH (MEXICO) - (NOT SHOWN)	1
-	9989110	FILTER - POWER LINE - EMI (MEXICO) - (NOT SHOWN)	1

# Refreshment Center 3 Parts Manual

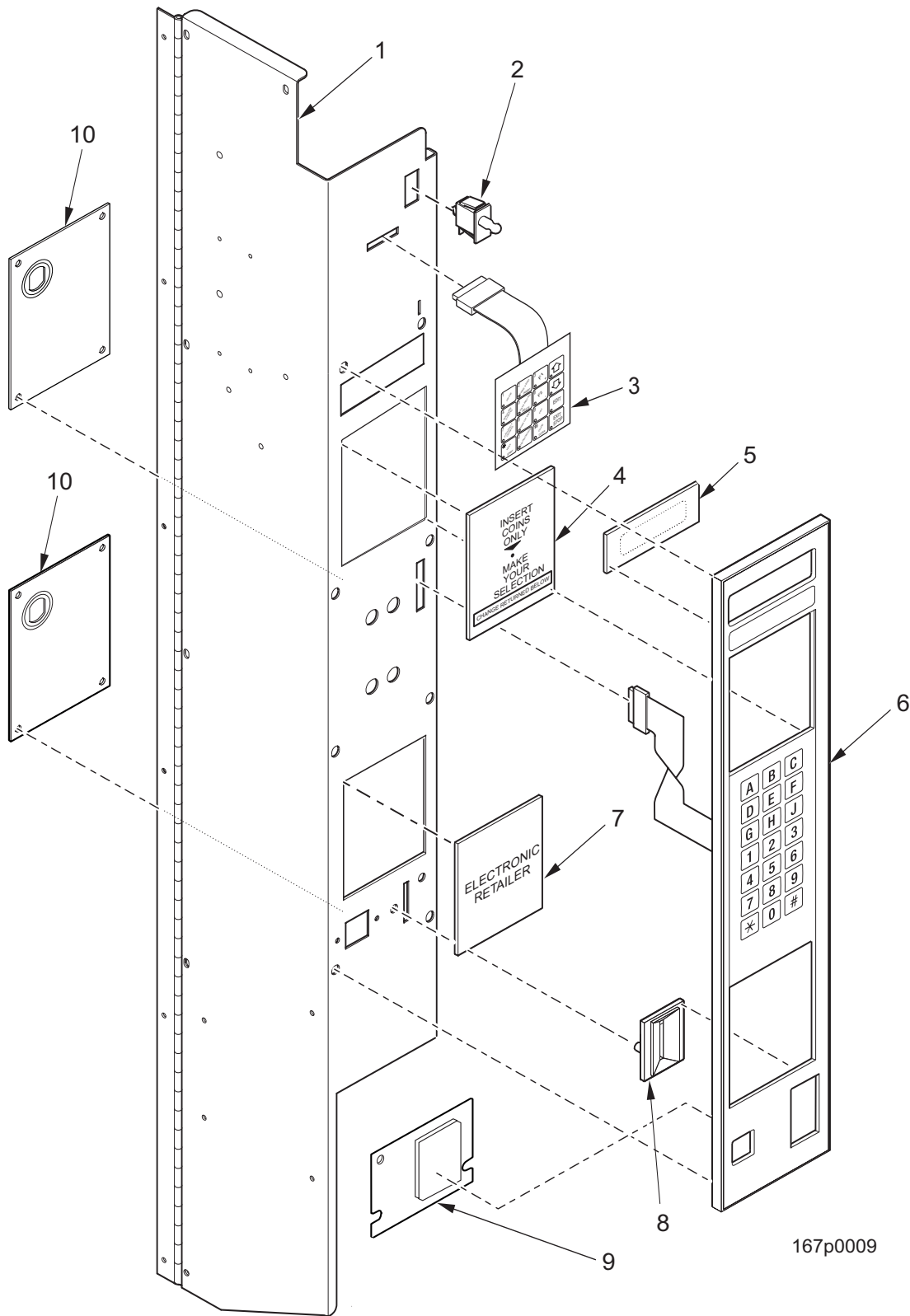


Figure 9. Monetary Panel Assembly (Part 1 of 4)

# Refreshment Center 3 Parts Manual

**TABLE 9. MONETARY PANEL ASSEMBLY (PART 1 OF 4)**

INDEX	PART NUMBER	DESCRIPTION	QTY
1	1575094	MONETARY PANEL WELD ASSEMBLY - NV BLACK	1
	4875001	MONETARY PANEL WELD ASSEMBLY - SELECTA WHITE	
2	1401110	SWITCH - SERVICE	1
3	9989639	SWITCH ASSEMBLY - FREE VEND	1
4	1572013	LENS - DISPLAY	1
5	1575098	FACEPLATE ASSEMBLY (WITH COIN OPTION)	1
	1575099	FACEPLATE ASSEMBLY (NO COIN OPTION)	
6	1472223	COIN INSERT (WITH COIN OPTION)	1
	1672001	COIN INSERT (AUSTRALIA ONLY) (NOT SHOWN)	
7	-	LOWER MONETARY POSITION	-

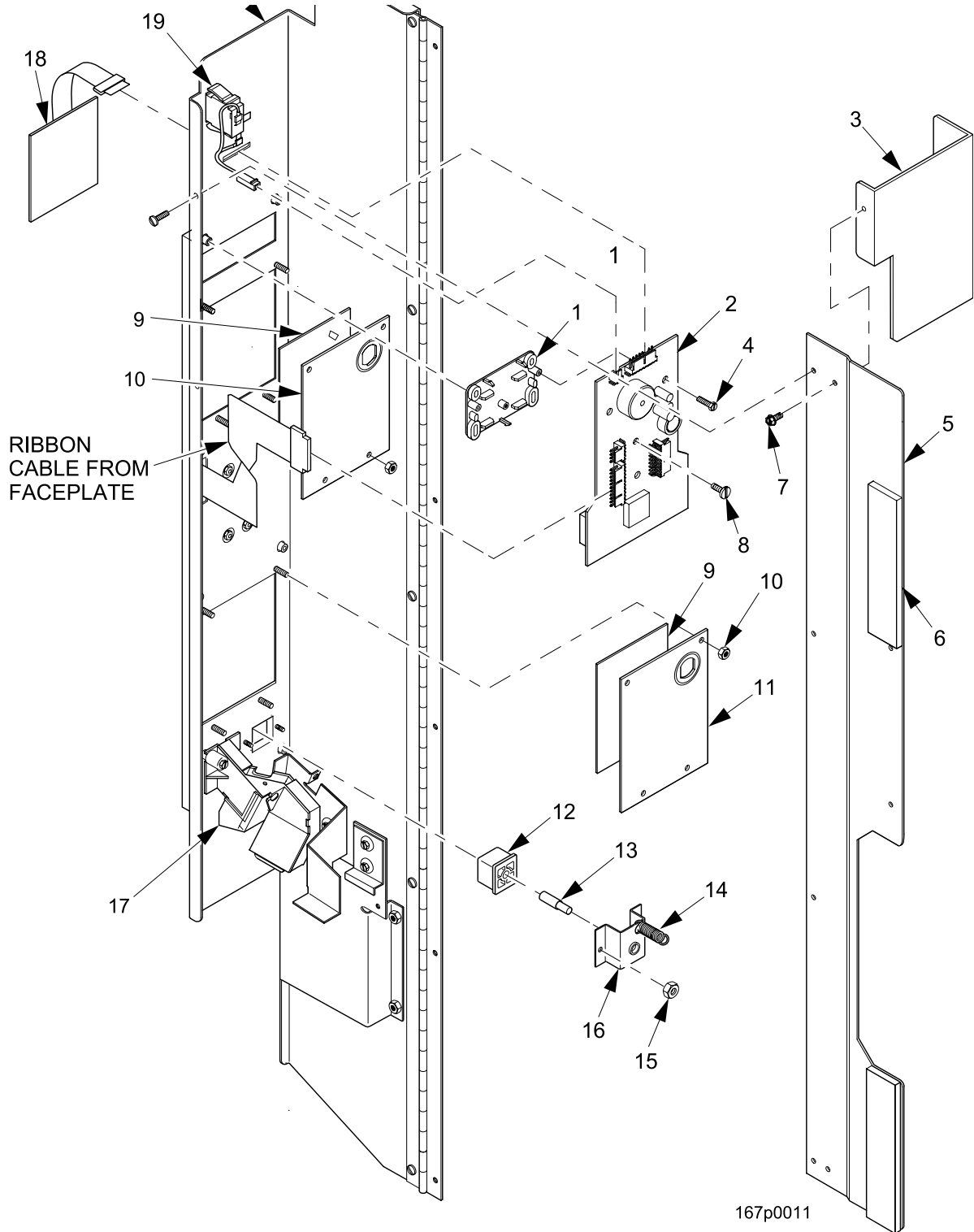


Figure 10. Monetary Panel Assembly (Part 2 of 4)

## Refreshment Center 3 Parts Manual

**TABLE 10. MONETARY PANEL ASSEMBLY (PART 2 OF 4)**

INDEX	PART NUMBER	DESCRIPTION	QTY
1	1475099	BRACKET - PCB DISPLAY	1
2	9989685	PCB ASSEMBLY - DISPLAY	1
3	1575020	INSERT - INSTR - BILLS - ENGLISH (WITH BILL VALIDATOR OPTION) (U.S.)	1
	1575013	INSERT - INSTR - COINS ONLY - ENG (U.K.)	
	1575049	INSERT - INSTR - LOWER - UK - COINS (U.K.)	
	1572015	INSERT - INSTRUCTIONS - FRENCH	
	1672027	INSERT - INSTRUCTIONS - LOWER - EUROCOIN (W/NO BILL VALIDATOR OPTION)	
	1572014	INSERT - INSTRUCTIONS - GERMAN	
	1675003	LOWER INSERT - INSTRUCTION - CHILE	
4	1575048	PLATE - INSERT BACKING	OPT.
5	1475026	BUTTON - COIN RETURN	1
6	1475072	SHAFT - RETURN BUTTON	1
7	1127808	SPRING - SHELF RESET	1
8	1571079	BRACKET - COIN RETURN BUTTON	1
9	1575003	COIN CHUTE ASSEMBLY	1
10	6335002	SERVICE KEYPAD ASSEMBLY	1

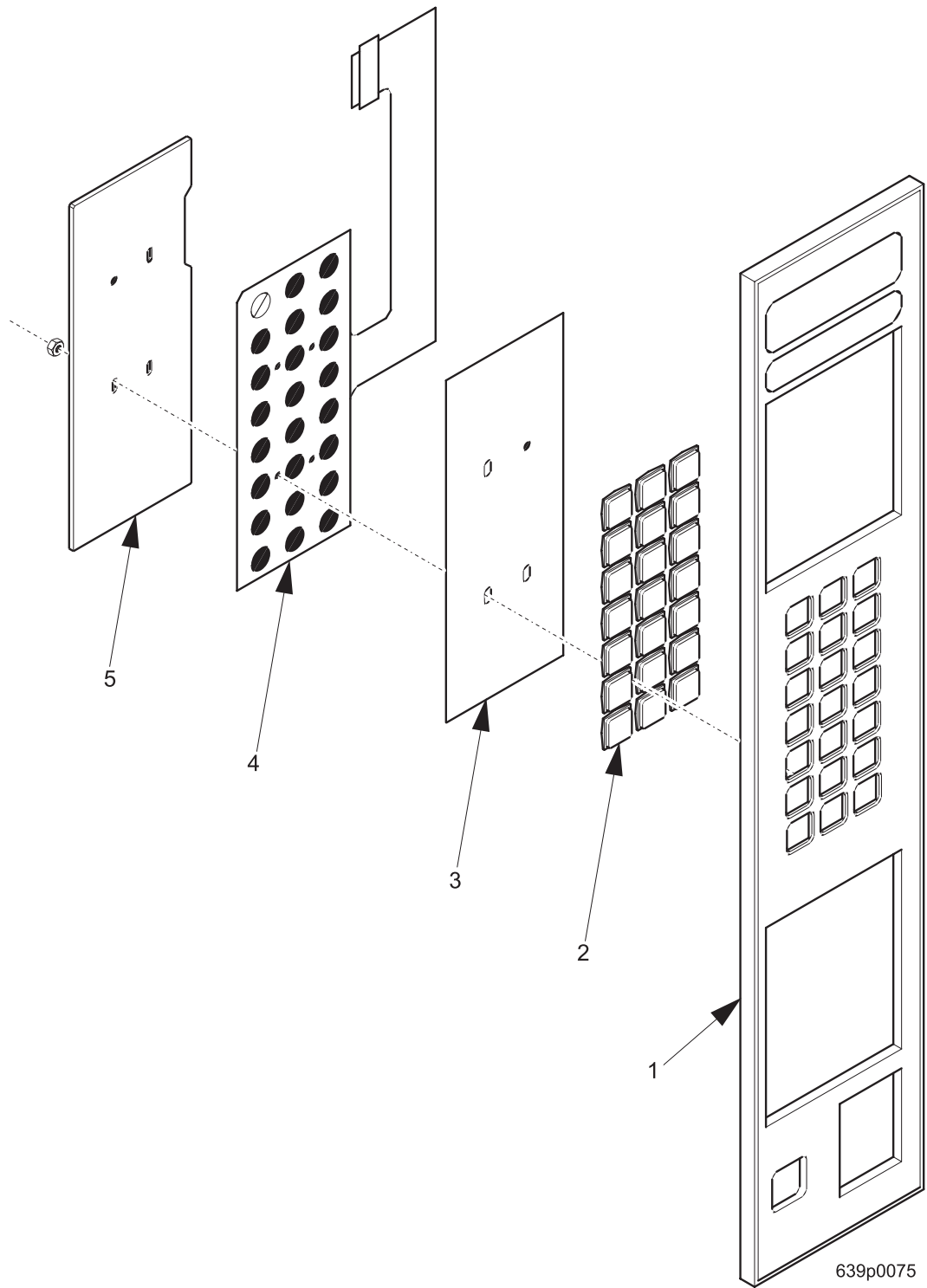


Figure 11 Monetary Panel Assembly (Part 3 of 4)



# Refreshment Center 3 Parts Manual

**TABLE 11. MONETARY PANEL ASSEMBLY (PART 3 OF 4)**

INDEX	PART NUMBER	DESCRIPTION	QTY
-	1575098	FACE PLATE ASSEMBLY - WITH COIN	-
-	1575099	FACEPLATE ASSEMBLY - NO COIN	-
1	1575001	SELECTION PANEL (WITH COIN OPTION)	1
1	1575043	FACE PLATE ASSEMBLY (NO COIN OPTION)	1
2	1472251	LENS - PUSHBUTTON	21
3	1575010	LETTER SHEET - SELECTION SWITCH	1
4	9984630	MEMBRANE SWITCH ASSEMBLY -SELECT	1
5	1575091	PLATE - SELECT SWITCH - BACK UP	1
6	1475089	1/8" NUT - SELF-THREADING	4

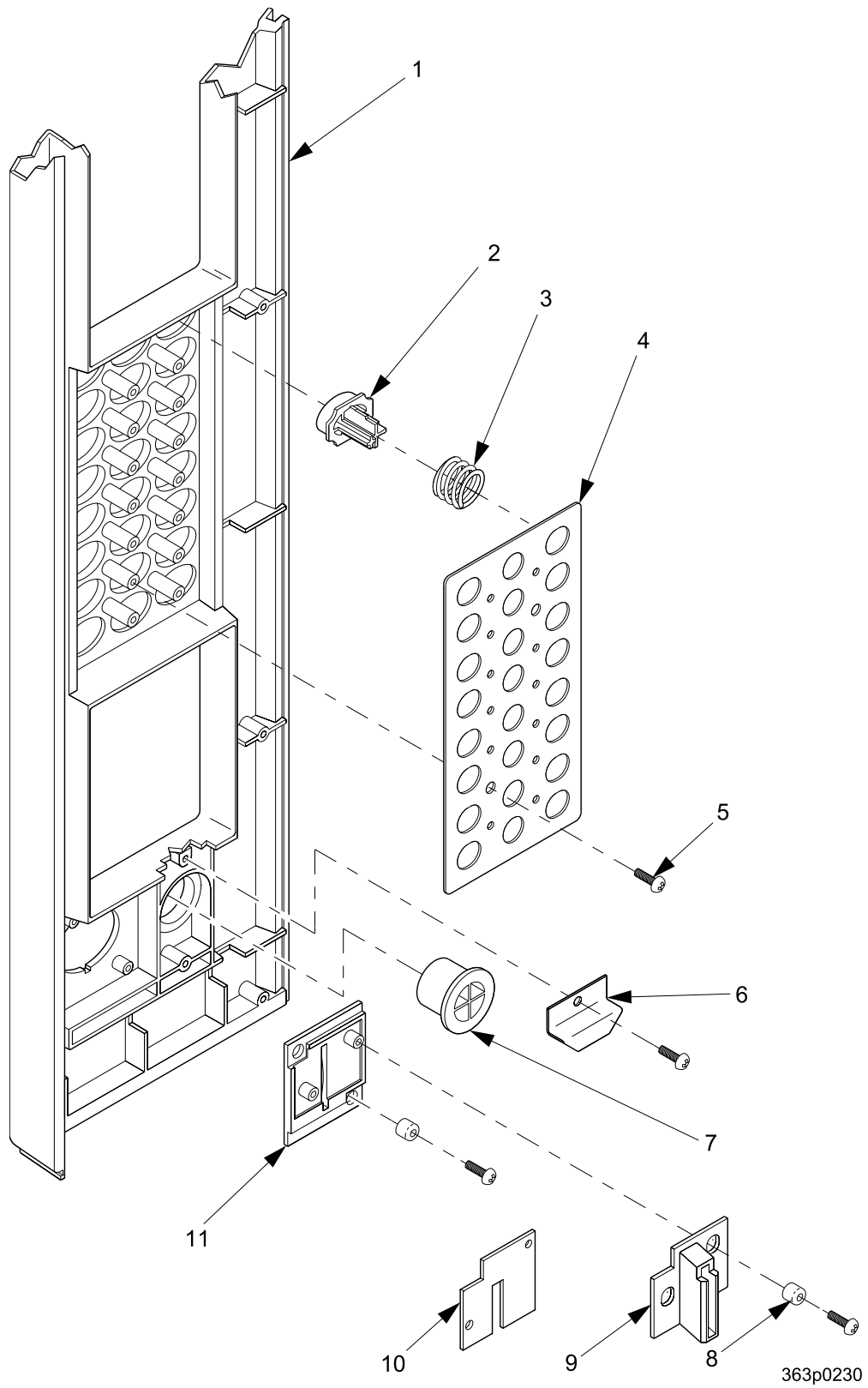


Figure 12. Monetary Panel Assembly (Part 4 of 4) - Millennium Styling

# Refreshment Center 3 Parts Manual

**TABLE 12. MONETARY PANEL ASSEMBLY (PART 4 OF 4) - MILLENNIA STYLING**

<b>INDEX</b>	<b>PART NUMBER</b>	<b>DESCRIPTION</b>	<b>QTY.</b>
1	1572213	R.H. TRIM - UPPER - "A21"	1
2	1572212	ARRAY - PUSH BUTTON SELECTION	1
3	1572224	SPRING - PUSH BUTTON	2
4	1572223	PLATE - STOP BUTTONS	1
5	1572292	RETAINER - RETURN BUTTON	1
6	1572210	COIN RETURN BUTTON - "A-2"	1
7	2302053	SPACER CUP	4
8	1572323	EXTENSION - COIN INSERT	1
9	1472222	COIN BLOCK	1
10	1572209	COIN INSERT - "A-1"	1

# Refreshment Center 3 Parts Manual

INSERT  
COINS  
ONLY  
▼  
MAKE  
YOUR  
SELECTION  
CHANGE RETURNED BELOW

COINS  
&  
BILLS:  
U.S.,  
CHINA,  
SAUDI  
ARABIA

1575012

INTRODUZCA  
MONEDAS O  
BILLETES  
▼  
HAGA SU  
SELECCIÓN  
CAMBIO DEVUELTO ABAJO

COINS  
&  
BILLS:  
SPANISH  
LANGUAGE

1575018

INSERT  
COINS  
ONLY  
▼  
MAKE  
YOUR  
SELECTION  
CHANGE RETURNED BELOW

COINS  
ONLY:  
U.S.,  
AUSTRALIA,  
NEW ZEALAND,  
U.K.,  
SINGAPORE

1575013

INSEREZ  
MONNAIE  
•  
FAITES  
VOTRE  
CHOIX  
•  
RENDU MONNAIE  
CI-DESSOUS

COINS  
ONLY:  
FRANCE

1572015

llägg mynt  
▼  
Välj produkt  
Växel i retur skål

COINS  
ONLY:  
SWEDEN

1575052

INTRODUCIR  
MONEDAS  
UNICAMENTE  
▼  
HAGA  
SU  
SELECCIONE  
Devolucion / Cambio  
En La Parte Inferior

COINS  
ONLY:  
SPANISH  
LANGUAGE

1575014

DEPOSITE  
EL  
DINERO  
•  
SELECCIONE  
EL  
PRODUCTO  
•  
RECOJA  
EL CAMBIO

COINS  
ONLY:  
LATIN  
AMERICA,  
ARGENTINA,  
MEXICO

1575015

GELD  
INWERPEN  
•  
MAAK  
UW  
KEUSE  
GELDTERUGGAVE HIERONDER

COINS  
ONLY:  
BELGIUM

1575082

ご利用方法  
1. お好みの商品を選んで下さい。  
2. お金を下の投入口から入れて下さい。  
3. お好みの商品番号のボタン(アルファベット+数字)を押して下さい。  
4. 下の取出口を押して商品を取り出して下さい。  
5. 約款・返金は下のコイン返却口から取って下さい。  
6. 有り難う御座いました。

COINS  
ONLY:  
JAPAN

1575066

AUTOMATEN  
VERKAUF  
0,10 0,50  
1 DM 2 DM 5 DM

COINS  
ONLY:  
GERMANY

1575038

INTRODUZCA  
BILLETES  
▼  
HAGA SU  
SELECCIÓN

BILLS  
ONLY:  
VENEZUELA

1575017

INSERT  
BILLS  
▼  
MAKE  
YOUR  
SELECTION

BILLS  
ONLY:  
KUWAIT

1575020

INSERT  
500 LIVRES  
OR  
1000 LOVERS  
NOTES ONLY  
▼  
MAKE  
YOUR  
SELECTION  
PLEASE USE EXACT AMOUNT ONLY

BILLS  
ONLY:  
LEBANON

1575021

INSTRUÇÕES  
INTRODUZA  
SOMENTE  
FICHAS

NO  
VALIDATOR;  
TOKENS:  
BRAZIL

1575016

497P0100

Figure 13. Monetary Inserts - Upper Position

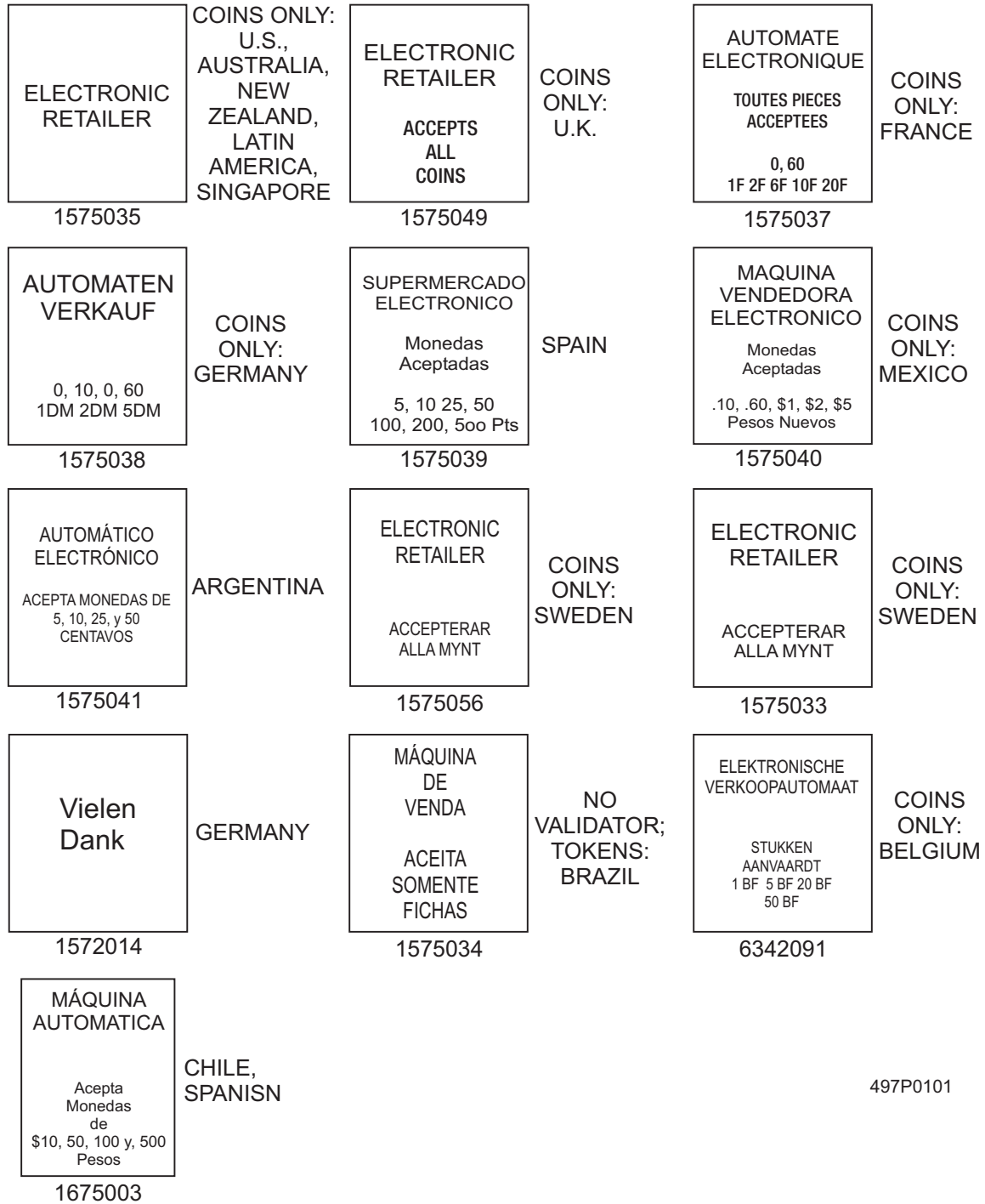


Figure 14. Monetary Inserts - Lower Position

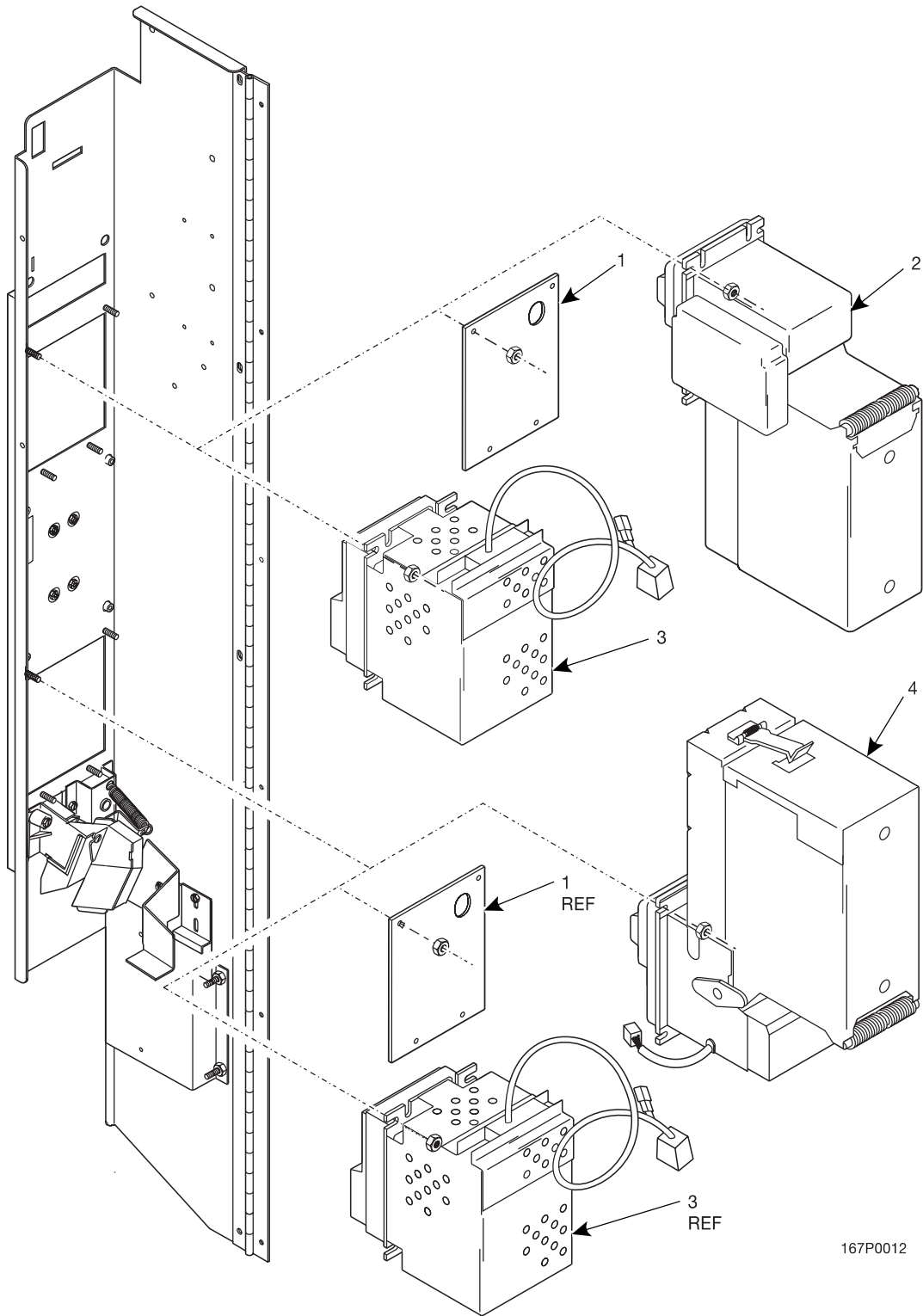


Figure 15. Card Reader and Bill Validator Combinations

**TABLE 15. CARD READER AND BILL VALIDATOR COMBINATIONS**

INDEX	PART NUMBER	DESCRIPTION
	-	MONETARY PANEL WELD ASSEMBLY (REF)
1	1575048	PLATE - INSERT BACKING
2	-	DOWNSTACK BILL VALIDATOR
3	-	DEBIT CARD READER
4	-	UPSTACK BILL VALIDATOR

**TABLE 15 A. MONETARY LOCATION OPTIONS**

MONETARY PANEL LOCATION			
MONETARY CAPABILITY	UPPER	LOWER	WITH COIN?
COIN - VAL - CARD	CARD READER	UPSTACK VALIDATOR	YES
COIN - VAL - CARD	DOWNSTACK VALIDATOR	CARD READER	YES
COIN - VAL	INSERT INSTRUCTIONS BACK-UP PLATE (1575048)	UPSTACK VALIDATOR	YES
COIN - VAL	DOWNSTACK VALIDATOR	INSERT INSTRUCTIONS BACKUP PLATE (1575048)	YES
COIN - CARD	INSERT INSTRUCTIONS BACK-UP PLATE (1575048)	CARD READER	YES
COIN - CARD	CARD READER	INSERT INSTRUCTIONS BACK-UP PLATE (1575048)	YES
VAL - CARD	CARD READER	UPSTACK VALIDATOR	NO
VAL - CARD	DOWNSTACK VALIDATOR	CARD READER	NO
COIN ONLY	INSERT INSTRUCTIONS BACK-UP PLATE (1575048)	INSERT INSTRUCTIONS BACK-UP PLATE (1575048)	YES
VAL ONLY	INSERT INSTRUCTIONS BACK-UP PLATE (1575048)	UPSTACK VALIDATOR	NO
VAL ONLY	DOWNSTACK VALIDATOR	INSERT INSTRUCTIONS BACK-UP PLATE (1575048)	NO
CARD ONLY	CARD READER	INSERT INSTRUCTIONS BACK-UP PLATE (1575048)	NO
CARD ONLY	INSERT INSTRUCTIONS BACK-UP PLATE (1575048)	CARD READER	NO

**NOTES:**  
**ALL ITEMS ARE SECURED WITH FOUR NUTS (P/N 9900081).**  
**SHADED ITEMS REPRESENT ALTERNATE CONFIGURATIONS**

# Refreshment Center 3 Parts Manual

**TABLE 15 B. BILL VALIDATOR OPTIONS**

<b>PART NUMBER</b>	<b>DESCRIPTION</b>	<b>USE WITH HARNESS PART NUMBER</b>
5900198	VALIDATOR - MARS - S2000 - VN2311 - U5E	1579005
5900182	VALIDATOR - COINCO - BA305A	1579028
5900193	VALIDATOR - MARS - S2000 - VN2511 - U5E -CN5	1579028
5900233	VALIDATOR - CONLUX MKA 2152-12B 120V	1579028
5900205	VALIDATOR - MARS - VN2512-U5E - 24V	1579032 (HARNESS) 9989718 (JUMPER)
5900221	VALIDATOR - COINCO - BA32SA - 24V	
5900234	VALIDATOR - CONLUX - 2162 - 24V - 300	
1475053	VALIDATOR - MAKA - NB - 1KB - 400 WITH MASK "K" INSTALLED	1579006
3152444	VALIDATOR - MARS - VFM1 - S1 - U4C -CNSMT	1579005
3152391	VALIDATOR - MARS VFM3 - S1 - U4C -CNSMT	1579028
5900248	VALIDATOR - MARS - AE 2611 - U5E - SERIAL	1579028
<b>MDB VALIDATOR OPTIONS</b>		
5900182	VALIDATOR - COINCO - BA 30SA	1579034
5900210	VALIDATOR - MARS - VN2512 - USM/500 -MDB	-
5900234	VALIDATOR - COINLUX - 2162 - 24V - 300	1579050
5900247	VALIDATOR - MARS - AE 2612 - U5M - MDB	-

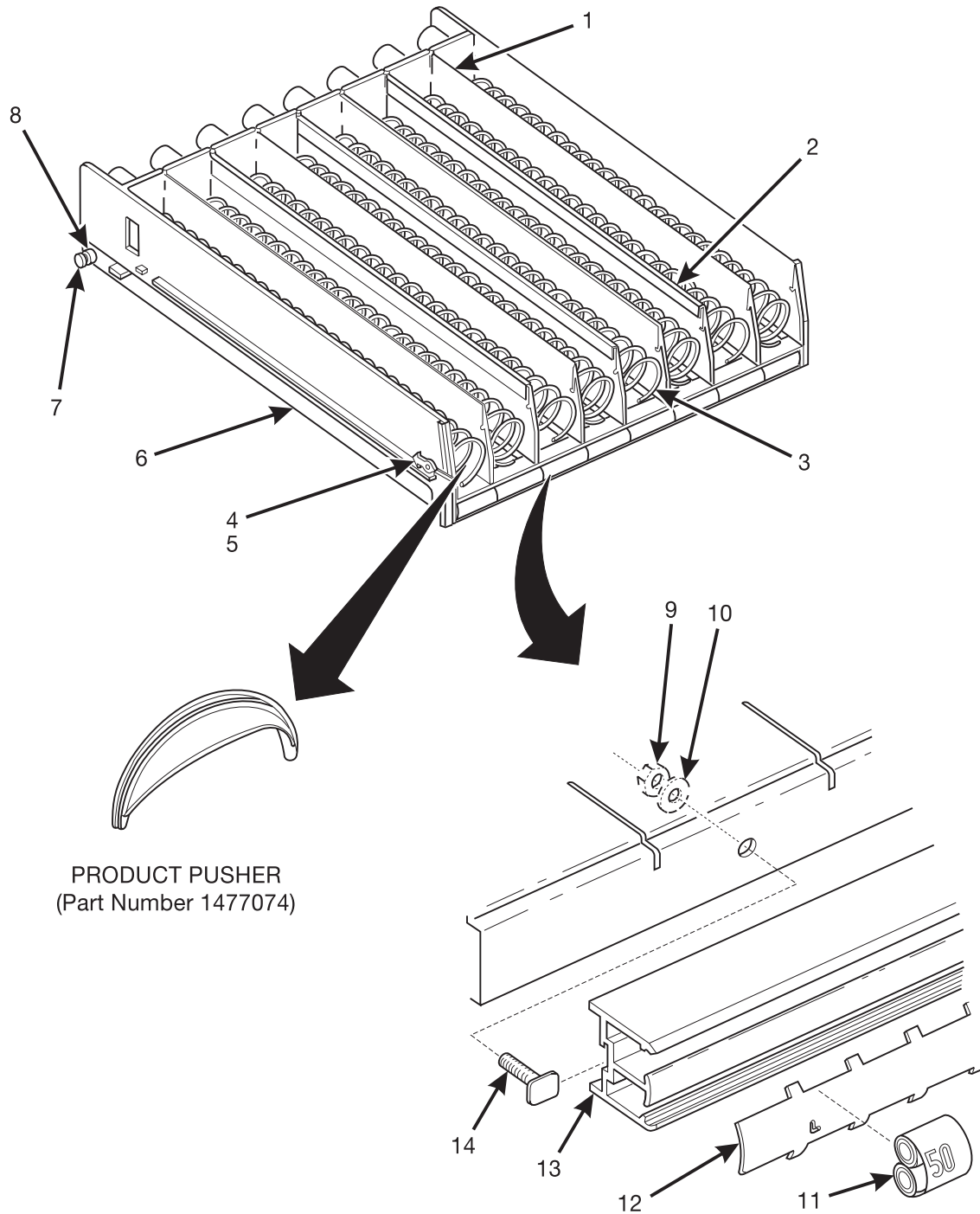
**TABLE 15 C. CARD READER OPTIONS**

<b>PART NUMBER</b>	<b>DESCRIPTION</b>
1475107	DEBITEK # VIS-MM-NAT SYSTEM III
1575050	BRACKET - DEBITEK CONTROLLER (NO COIN OPTION)
1575052	BRACKET - DEBITEK CONTROLLER (WITH COIN OPTION)



**TABLE 15 D. COIN MECHANISM OPTIONS**

PART NUMBER	DESCRIPTION
5900116	MARS TRC6000 COIN UNIT
5307321	COINTRON 3000 - US COIN VAL
5900096	COINCO 9340L COIN UNIT
5900112	MARS MC5000 COIN UNIT
6400002	COIN CHANGER - MARS #TRC 6010XV
6000003	COIN CHANGER - COINCO # 9302LF-24
5900094	COINCO 9300L COIN UNIT
5900192	COIN UNIT - COINLUX USLX00401F
5900213	COIN UNIT - COINCO - 9302 - GX - MDB
5900209	COIN UNIT - CONLUX - USLZ - 001 - MDB
5900214	COIN UNIT - MARS - VN 4510 - MDB
5900216	COIN UNIT - MARS - VN 4000, 110V
5900217	COIN UNIT - MARS - VN 4010 XV - 24V
5900192	COIN UNIT - CONLUX - USLX 00401F
5900237	COIN UNIT - CONLUX - USLX - 001 120V
5900222	COIN UNIT - MARS TRC6000 - ASV
5900243	COIN UNIT - MARS - TRC 6512 MDB



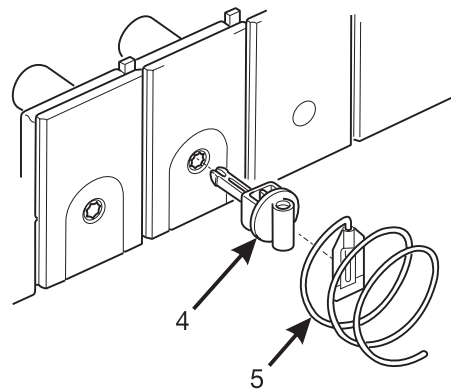
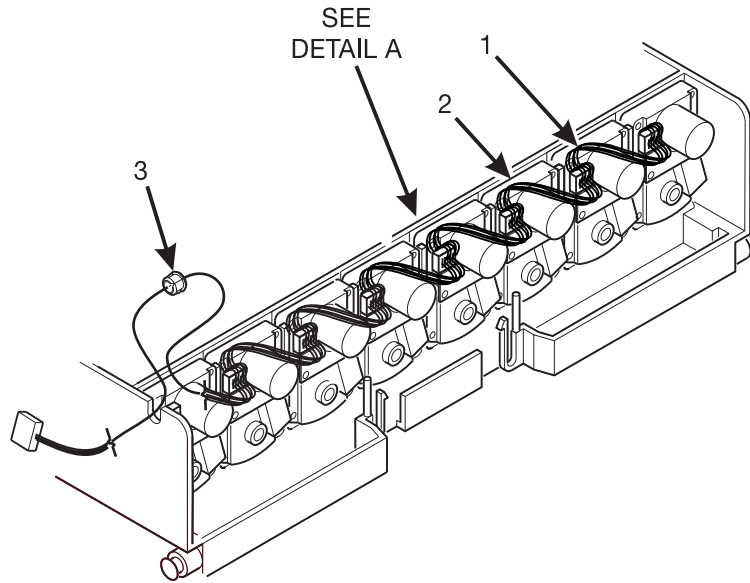
157P0269

Figure 16. Candy Tray Assembly (Part 1 of 2)

# Refreshment Center 3 Parts Manual

**TABLE 16. CANDY TRAY ASSEMBLY (PART 1 OF 2)**

ITEM	PART NUMBER	DESCRIPTION	QTY
-	1607002	TRAY ASSEMBLY - 8 CANDY (10 CANDY TRAY SHOWN)	1
1	1477175	WALL - TRAY	7
2	1677193	SPACER - ADJUSTABLE	3
3	-	SPIRAL (OPTIONAL) (SEE TABLE 22 FOR DETAILS)	-
4	1477017	LATCH	2
5	5201267	PUSH-ON RETAINER - .312	2
6	1587003	TRAY - 4 & 8 DIVISION	1
7	1477097	AXLE - TRAY ROLLER	2
8	1477148	ROLLER - TRAY	2
9	9900030	NUT #8-32 SELF-LOCKING	2
10	5560113	WASHER - HOPPER RELEASE	2
11	1477014	ROLL - PRICE - CENTS	8
12	1487016	HOLDER - PRICE & SELECTION	1
13	1487009	RAIL - PRICE & SELECTION	1
14	2222031	TEE BOLT - TRIM	2



DETAIL A

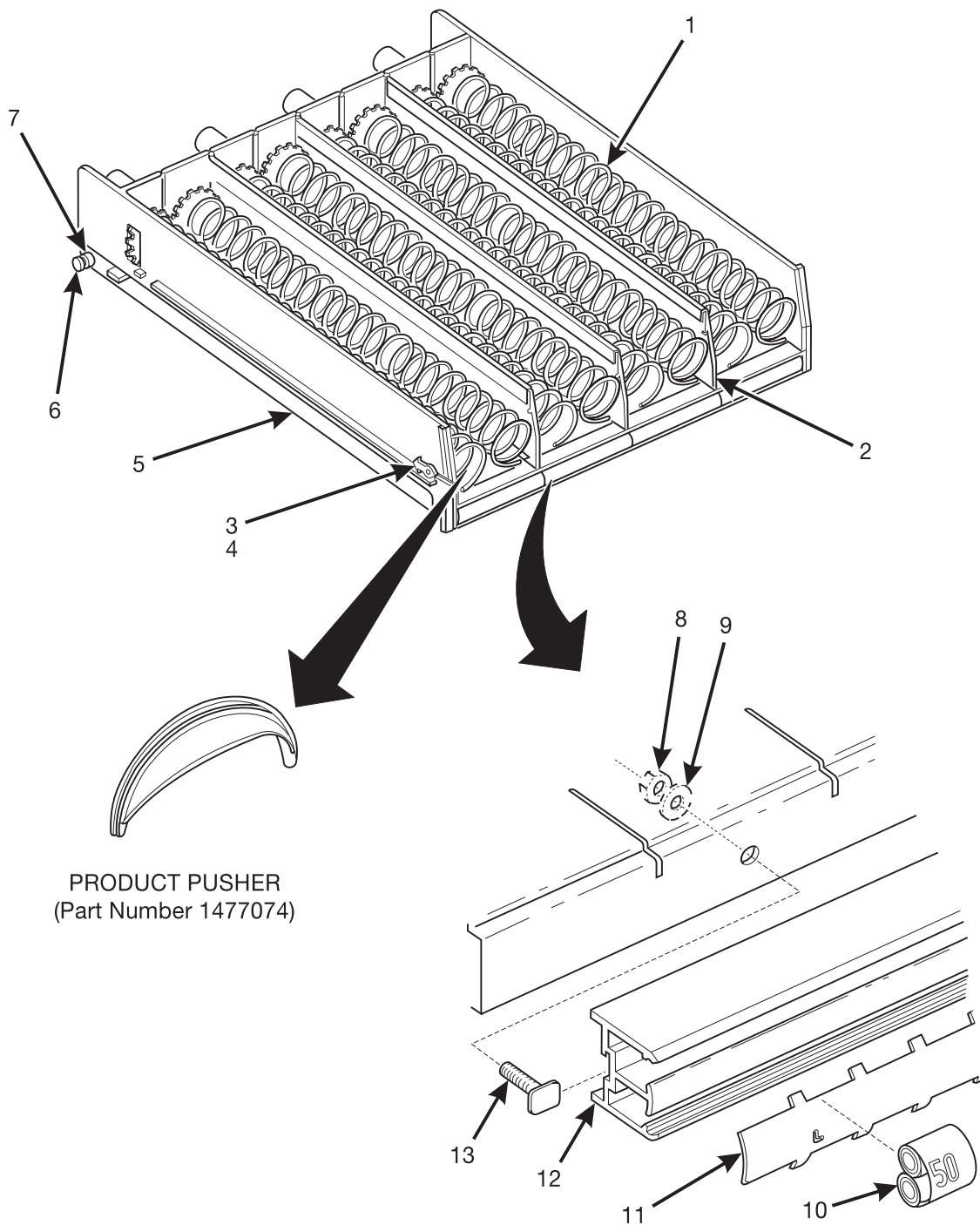
485p0016

Figure 17. Candy Tray Assembly (Part 2 of 2)

# Refreshment Center 3 Parts Manual

TABLE 17. CANDY TRAY ASSEMBLY (PART 2 OF 2)

ITEM	PART NUMBER	DESCRIPTION	QTY
1	1599018	HARNESS - 8 MOTOR TRAY	1
2	1577035	MOTOR & PCB ASSEMBLY	8
3	3502097	BUSHING	1
4	1477113	COUPLING - SPIRAL	8
5	-	SPIRALS (SEE FIGURE 22 FOR DETAILS)	-



485P0017

Figure 18. Snack Tray Assembly (Part 1 of 2)

# Refreshment Center 3 Parts Manual

**TABLE 18. SNACK TRAY ASSEMBLY (PART 1 OF 2)**

ITEM	PART NUMBER	DESCRIPTION	QTY
-	1607001	TRAY ASSEMBLY - 4 SNACK	1
1	-	SPIRAL (SEE FIGURE 22 FOR DETAILS)	-
2	1477175	WALL - TRAY	3
3	1477017	LATCH	2
4	5201267	PUSH ON RETAINER - .312	2
5	1587003	TRAY - 4 & 8 DIVISION	1
6	1477097	AXLE - TRAY ROLLER	2
7	1477148	ROLLER - TRAY	2
8	9900030	NUT #8-32 SELF - LOCKING	2
9	5560113	WASHER - HOPPER RELEASE	2
10	1477014	ROLL - PRICE - CENTS	4
11	1487016	HOLDER - PRICE & SELECTION	1
12	1487009	RAIL - PRICE & SELECTION	1
13	2222031	TEE BOLT - TRIM	2

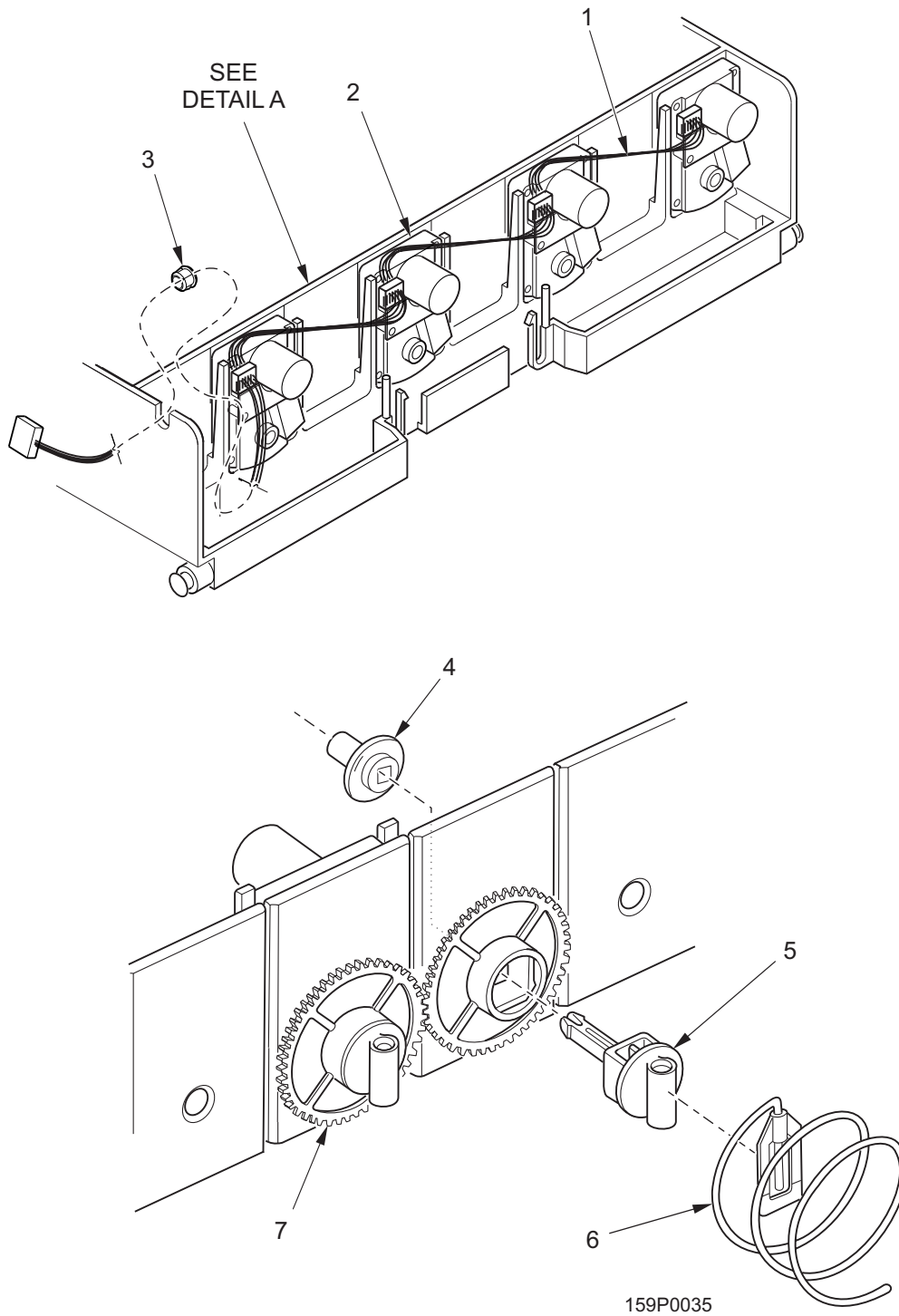
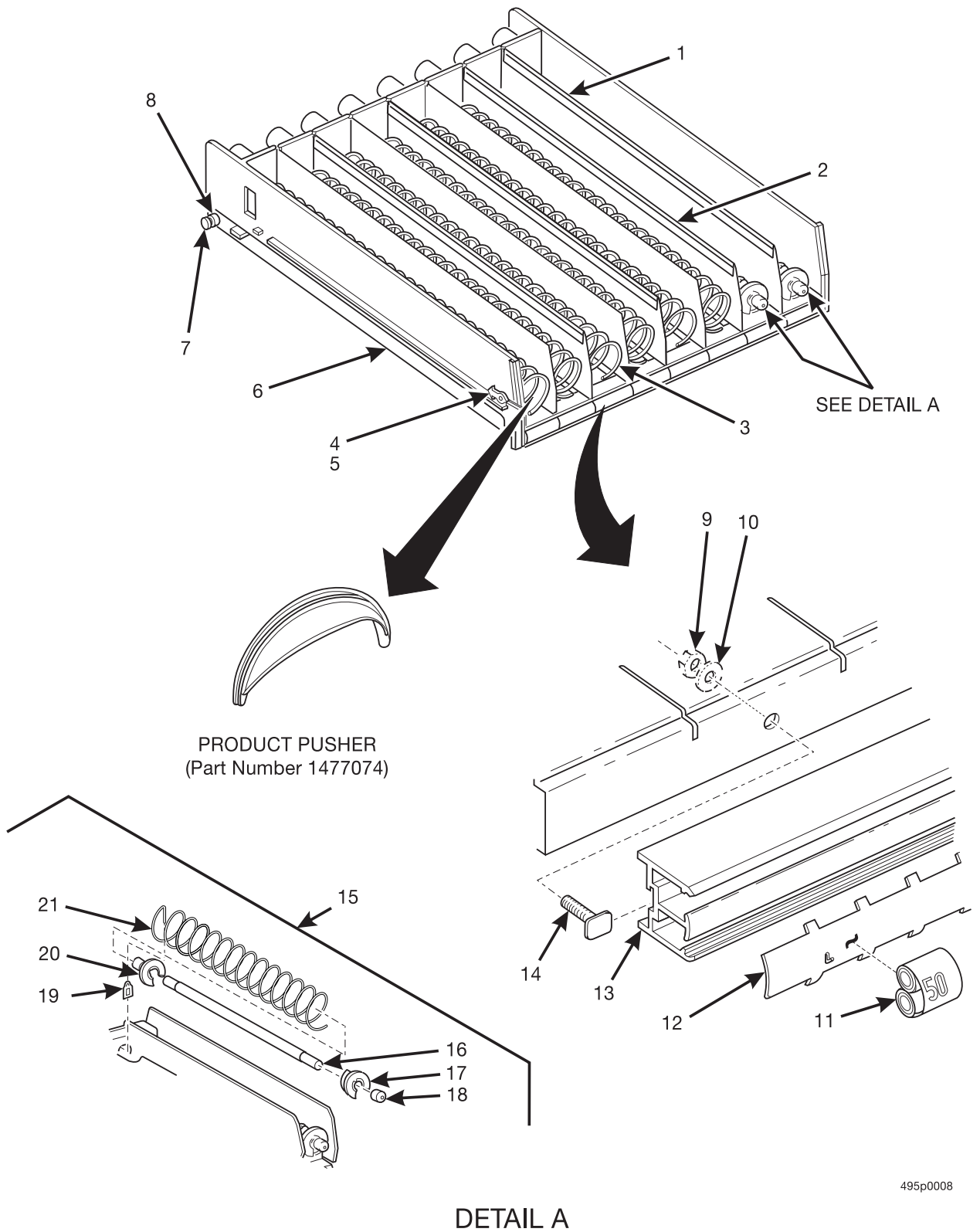


Figure 19. Snack Tray Assembly (Part 2 of 2)



**TABLE 19. SNACK TRAY ASSEMBLY (PART 2 OF 2)**

ITEM	PART NUMBER	DESCRIPTION	QTY
1	1599016	HARNESS - 4 MOTOR TRAY	1
2	1577035	MOTOR & PCB ASSEMBLY	4
3	3502097	BUSHING	1
4	1477022	BEARING - COUPLER	4
5	1477113	COUPLING - SPIRAL	8
6	-	SPIRALS (SEE FIGURE 22 FOR DETAILS)	-
7	1477020	GEAR - TRAY	8



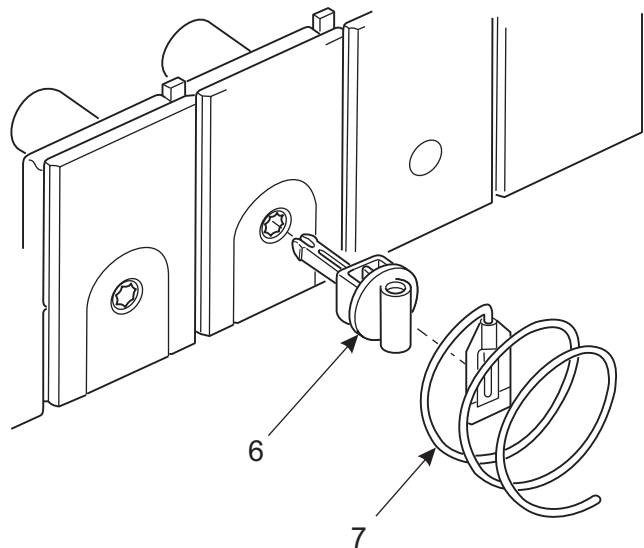
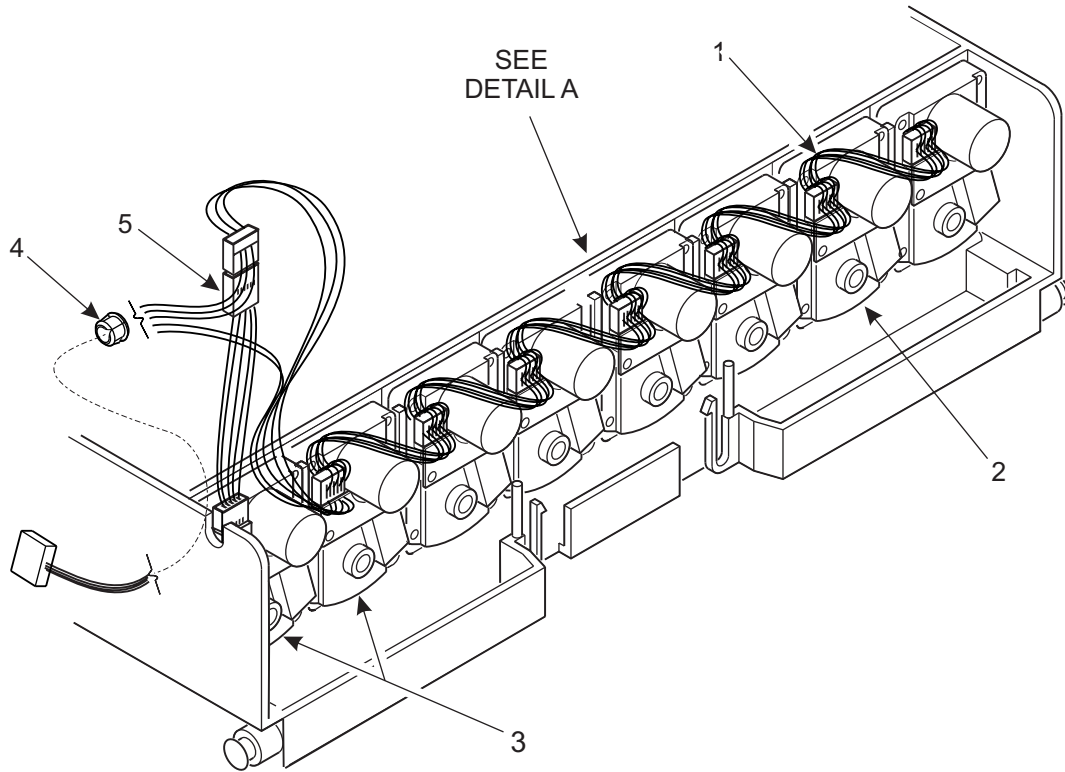
495p0008

Figure 20. Gum and Mint Tray Assembly (Part 1 of 2)

## Refreshment Center 3 Parts Manual

**TABLE 20. GUM AND MINT TRAY ASSEMBLY (PART 1 OF 2)**

ITEM	PART NUMBER	DESCRIPTION	QTY
-	1607003	TRAY ASSEMBLY - 6 CANDY - 2 GUM	1
1	1477175	WALL - TRAY	7
2	1677193	SPACER - ADJUSTABLE	3
3	-	SPIRAL (SEE FIGURE 22 FOR DETAILS)	-
4	1477017	LATCH	2
5	5201267	PUSH ON RETAINER - .312	2
6	1587003	TRAY - 4 & 8 DIVISION	2
7	1477097	AXLE - TRAY ROLLER	2
8	1477148	ROLLER - TRAY	2
9	9900030	NUT #8-32 SELF-LOCKING	2
10	5560113	WASHER - HOPPER RELEASE	2
11	1477014	ROLL - PRICE - CENTS	8
12	1487016	HOLDER - PRICE & SELECTION	1
13	1487009	RAIL - PRICE & SELECTION	1
14	2222031	TEE BOLT - TRIM	2
15	1467127	SPIRAL ASSEMBLY - DUAL GUM & MINT (INCLUDES INDEX NUMBERS 16 - 21	2
16	1467131	SPIRAL INSERT ASSEMBLY	1
17	1467129	DISC - SPIRAL INSERT	1
18	1467136	CAP - SPIRAL INSERT	2
19	1467130	DISC - SPIRAL INSERT	1
20	1467137	RETAINER - SPIRAL - ORANGE	1
21	1467128	SPIRAL - 2.65 DIAMETER - DUAL GUM & MINT	1



159P0038

DETAIL A

Figure 21. Gum and Mint Tray Assembly (Part 2 of 2)

# Refreshment Center 3 Parts Manual

**TABLE 21. GUM AND MINT TRAY ASSEMBLY (PART 2 OF 2)**

ITEM	PART NUMBER	DESCRIPTION	QTY
1	1599018	HARNESS - 8 MOTOR TRAY	1
2	1577035	MOTOR & PCB ASSEMBLY	6
3	1477114	MOTOR & PCB ASSEMBLY	2
4	3502097	BUSHING	1
5	1477156	JUMPER ASSEMBLY - MOTOR REVERSING	1
6	1477113	COUPLING - SPIRAL	8
7	-	SPIRAL (SEE FIGURE 22 FOR DETAILS)	-

**TABLE 22. SPIRAL OPTIONS**

			PART NUMBERS			
			LEFT HAND		RIGHT HAND	
Spiral Count	Retainer Color	Retainer	Assembly	Spiral	Assembly	Spiral
5	-	-	-	1477178	-	1477179
6	PURPLE	1477107	1477103	1477102	1477105	1477104
9	GRAY	1477155	1477149	1477150	1477152	1477153
11	BLUE	1457061	1477023	1477024	1477026	1477027
13	YELLOW	1457062	1477029	1477030	1477032	1477033
15	RED	1457063	1477035	1477063	1477038	1477039
17	BROWN	1477106	1477101	1477100	1477099	1477098
20	WHITE	1457064	1477041	1477042	1477044	1477045
25	GREEN	1457065	1477047	1477048	1477050	1477051
30	BLACK	1477073	1477053	1477054	1477056	1477057

**TABLE 23. PRICE ROLLS FOR TRAYS**

PART NUMBER	DESCRIPTION
1477014	ROLL - PRICE - CENTS
1477015	ROLL - PRICE - DOLLARS
1472273	PRICE ROLL - U.K. - 1L/10L, 40P/95P
1472274	PRICE ROLL - U.K. - 1L/10L, 8P/35P
1477123	PRICE ROLL - 0 TO 25 - U.K./GER/FR

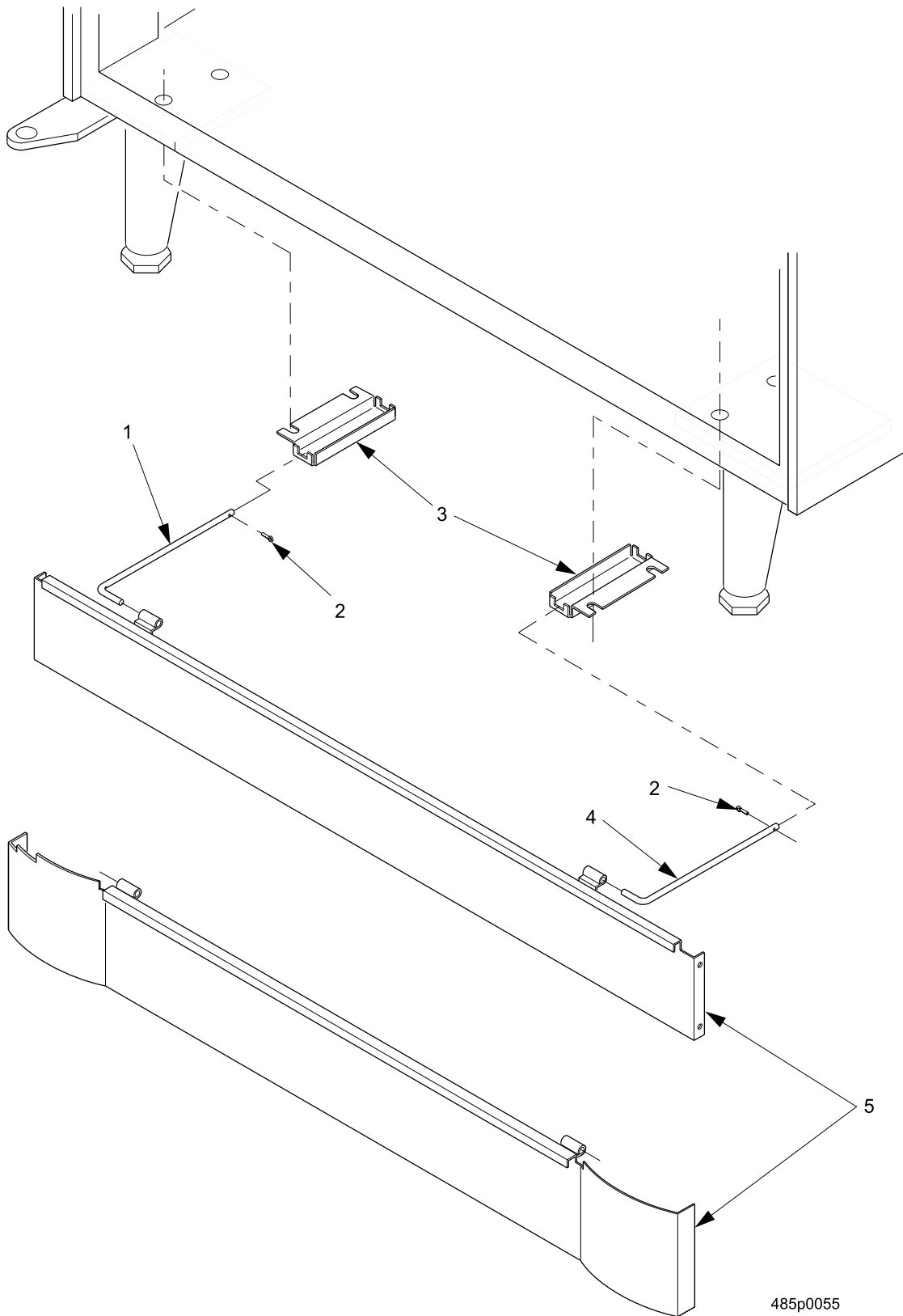


Figure 24. Base Plate Assembly

**TABLE 24. BASE PLATE ASSEMBLY**

INDEX	PART NUMBER	DESCRIPTION	QTY.
1	1411194	SLIDE - BASE PLATE - RIGHT HAND	1
2	9900098	COTTER PIN, 3/32	2
3	6231087	BRACKET - BASE PLATE	2
4	1411195	SLIDE - BASE PLATE - LEFT HAND	1
5	4111091	BASE PLATE ASSEMBLY (STANDARD STYLING) - NV BLACK	1
	4851082	BASE PLATE ASSEMBLY - HINGED (MILLENNIA STYLING)	

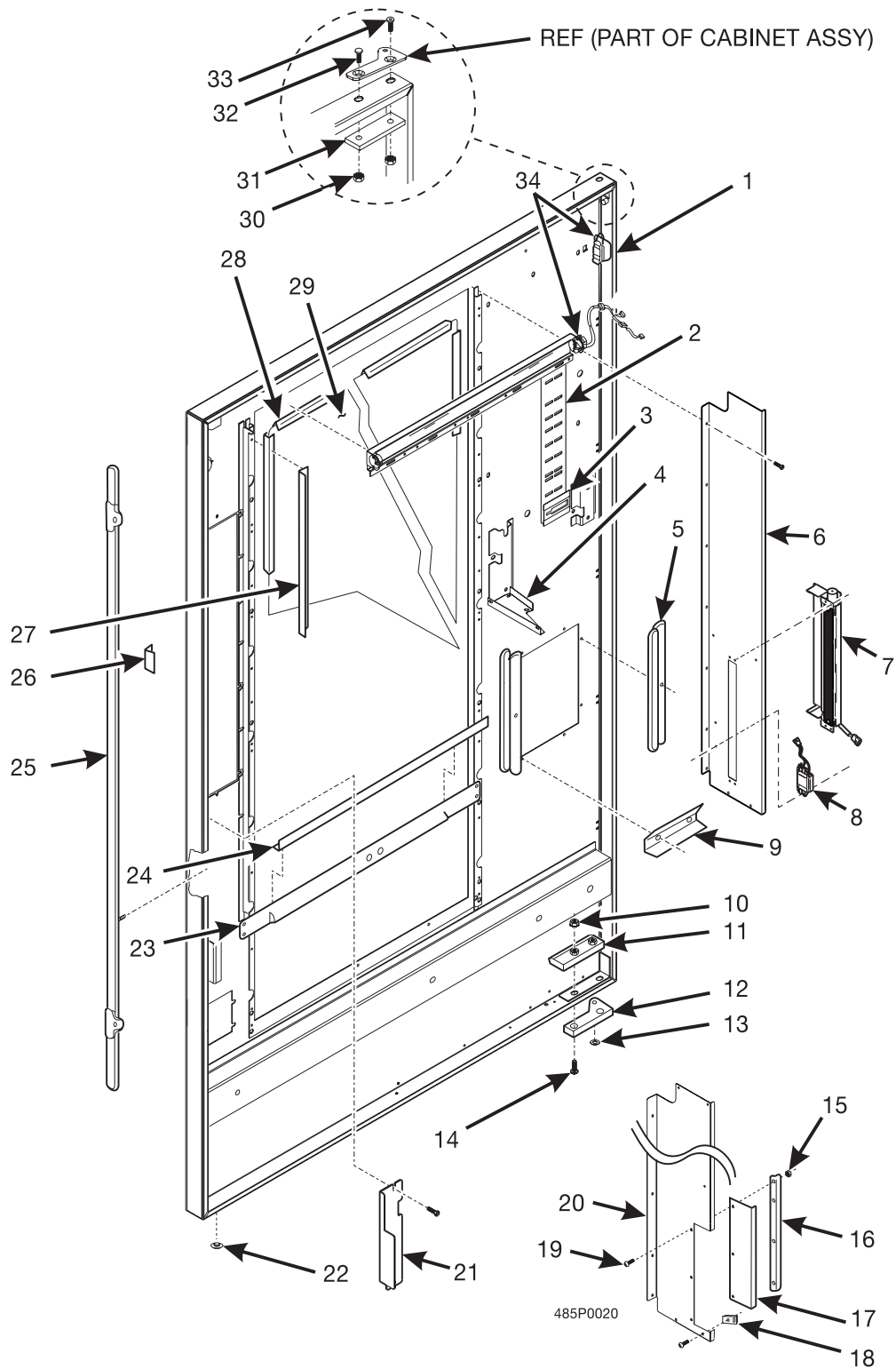


Figure 25. Door Assembly



# Refreshment Center 3 Parts Manual

**TABLE 25. DOOR ASSEMBLY**

INDEX	PART NUMBER	DESCRIPTION	QTY.
1	4852099	WELD ASSEMBLY - DOOR - NV BLACK (ALL STYLES)	1
	4852212	DOOR WELD ASSEMBLY - MIR BLACK	
	4852213	DOOR WELD ASSEMBLY - SELECTA WHITE	
2	4852042	CHANNEL - PRICE ROLLS (IMPERIAL CROWN & SIGNATURE STYLING)	1
2	4852043	CHANNEL - PRICE ROLLS (MILLENNIA STYLING)	1
3	4852084	LIGHT ASSEMBLY - INDICATOR	1
4	4852045	GUSSET - RETAINER - L.H.	1
-	1170206	SCREW #8-32X3/8 THS BLACK	1
-	9900081	NUT #8-32 KEPS ZINC PLATE	1
5	4852080	DOOR GUIDE - CUP STATION	2
6	4852050	RETAINER - GLASS - W/ SIDE LIGHT	OPT
7	-	FLUORESCENT SIDE LIGHT ASSEMBLY - COVERED (WITH INDEX #6 ONLY) (SEE FIGURE 33 FOR DETAILS)	1
8	4401016	BALLAST ASSEMBLY (110V)	1
8	4851085	BALLAST ASSEMBLY (230V)	1
9	4852079	BRACKET - VEND DOOR STOP	1
10	1211105	1/4-20 KEPS NUT EXT LW ZP	1
11	6232028	PLATE ASSEMBLY - HINGE MTG.	1
12	6232031	HINGE ASSEMBLY - DOOR - LOWER	1
13	4242145	BEARING - THRUST - LOWER HINGE	1
14	6232208	WELD SCREW - #1/4 - 20 X 1" LG	1
15	9900081	NUT #8-32 KEPS ZINC PLATE	1
16	4722024	ANGLE - END PLATE SHIELD	1
17	4852047	SHIELD - DISPLAY END PLATE	1
18	4722025	BRACKET - END PLATE SHIELD	1
19	1170206	SCREW #8-32 X 3/8 THS BLACK	3
20	4852046	RETAINER - GLASS - WITHOUT SIDE LIGHT	OPT
-	1451097	SCREW - 8-32X.31 HEX HD. TF-BLK. (ATTACHING PARTS FOR INDEX #20)	7
21	1572196	CHANNEL - LOCK - FILLER (MILLENNIA STYLING ONLY)	1
22	6342038	BUTTON PLUG - 1/4 - FLUSH TYPE	1
23	1582076	PANEL ASSEMBLY - GLASS - LOWER (IMPERIAL CROWN & SIGNATURE STYLING ONLY)	1
23	-	HORIZONTAL TRIM & GLASS CHANNEL ASSEMBLY (MILLENNIA STYLING ONLY) (SEE FIGURE 27 FOR DETAILS)	
24	1582074	CHANNEL - GLASS - LOWER (IMPERIAL CROWN & SIGNATURE STYLING ONLY)	1
25	1472178	LOCK BAR ASSEMBLY	1
26	1472250	GUIDE - LOCK BAR	1

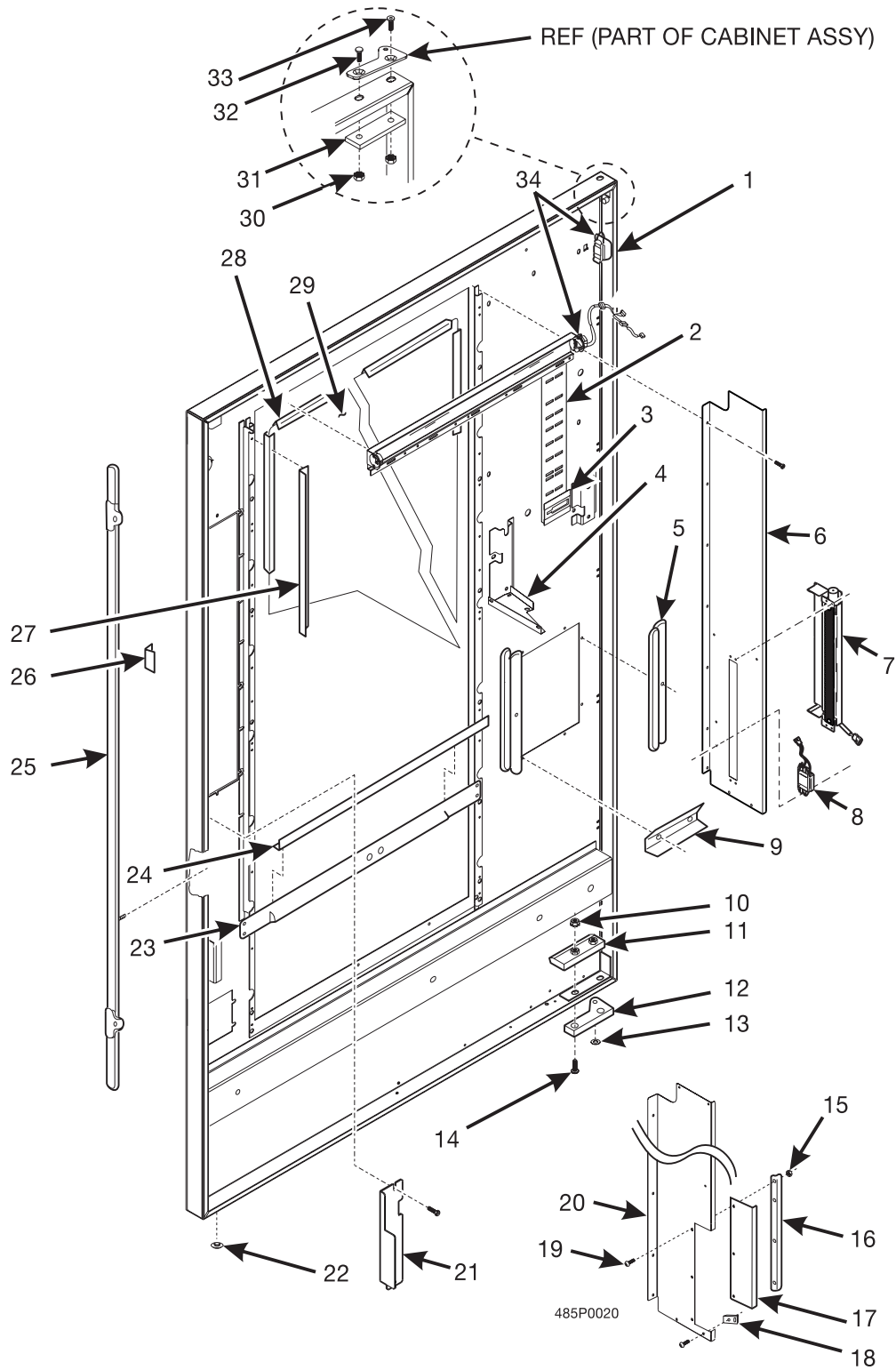
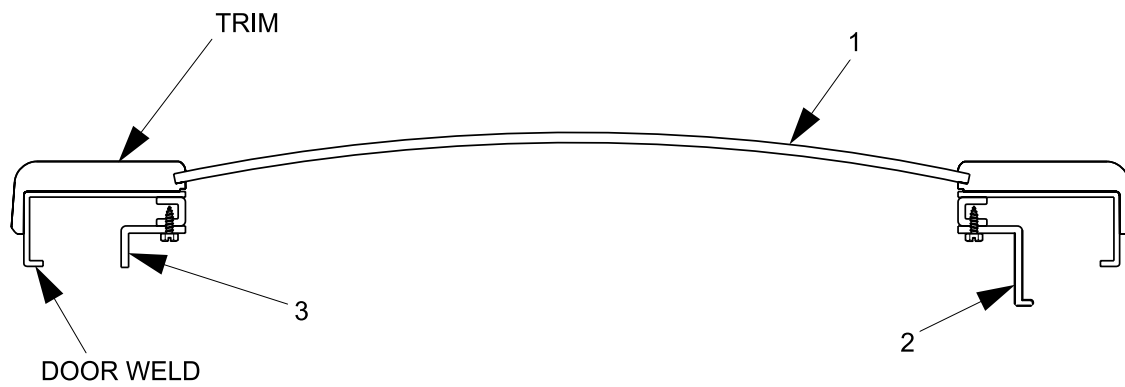


Figure 25. Door Assembly (Continued)

# Refreshment Center 3 Parts Manual

**TABLE 25. DOOR ASSEMBLY (CONTINUED)**

INDEX	PART NUMBER	DESCRIPTION	QTY.
27	1472048	PLATE - GLASS RETAINING	1
-	1451097	SCREW - #8-32X.31 HEX HD.TF-BLK.	7
28	6232092	EXTRUSION - GLASS - CHANNEL (IMPERIAL CROWN & SIGNATURE STYLING ONLY)	1
29	1582075	GLASS - DISPLAY (IMPERIAL CROWN & SIGNATURE STYLING ONLY)	1
29	1582079	GLASS - CURVED FRONT - 32" - SNACK (MILLENNIA STYLING ONLY) (SEE FIGURE 26 FOR DETAILS)	1
30	1211105	1/4 - 20 KEPS NUT EXT LW ZP	1
31	6232028	PLATE ASSEMBLY - HINGE MTG.	1
32	6232208	WELD SCREW - 1/4 - 20 X 1"LG	1
33	6232036	SCREW - 5/16 - 18X.75 FLAT HEAD SOCKET	1
34	-	UPPER DOOR LIGHT ASSEMBLY & BALLAST (SEE FIGURE 32 FOR DETAILS)	1



485p0021

Figure 26. Door Glass and Glass Retaining Components (Millennia Styling)

# Refreshment Center 3 Parts Manual

**TABLE 26. DOOR GLASS AND GLASS RETAINING COMPONENTS (MILLENNIA STYLING)**

<b>INDEX</b>	<b>PART NUMBER</b>	<b>DESCRIPTION</b>	<b>QTY.</b>
1	1582079	GLASS - CURVED FRONT - 32" - SNACK	1
2	4852050	RETAINER - GLASS W/ SIDE LIGHT	REF
2	4852046	RETAINER - GLASS W/O SIDE LIGHT	REF
3	1572243	GLASS - RETAINER - SPACER	2
4	1472048	GLASS RETAINING PLATE	REF

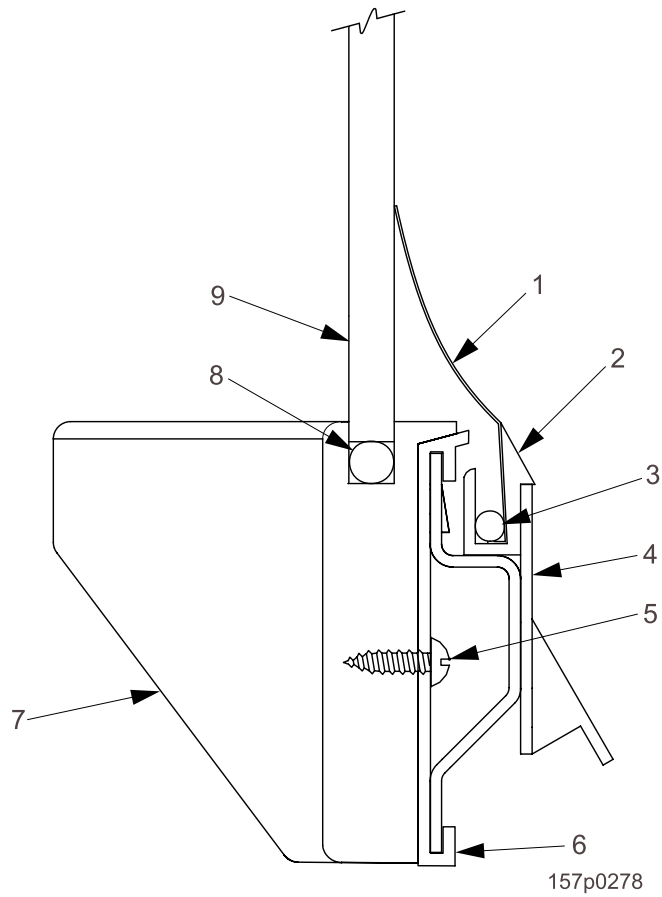


Figure 27. Horizontal Trim and Glass Channel Assembly (Millennia Styling)

# Refreshment Center 3 Parts Manual

**TABLE 27. HORIZONTAL TRIM AND GLASS CHANNEL ASSEMBLY (MILLENNIA STYLING)**

<b>INDEX</b>	<b>PART NUMBER</b>	<b>DESCRIPTION</b>	<b>QTY.</b>
-	1582141	HORIZONTAL TRIM & GLASS CHANNEL ASSEMBLY	1
1	1582095	CHANNEL & DELECTOR ASSEMBLY	1
2	1602026	PANEL ASSEMBLY - GLASS LOWER	1
3	1582084	PANEL - LOWER TRIM - W/HOLES & PTD.	1
4	1582201	HORIZONTAL TRIM - UPPER - J	1
5	1582093	GASKET - GLASS	1

# Refreshment Center 3 Parts Manual

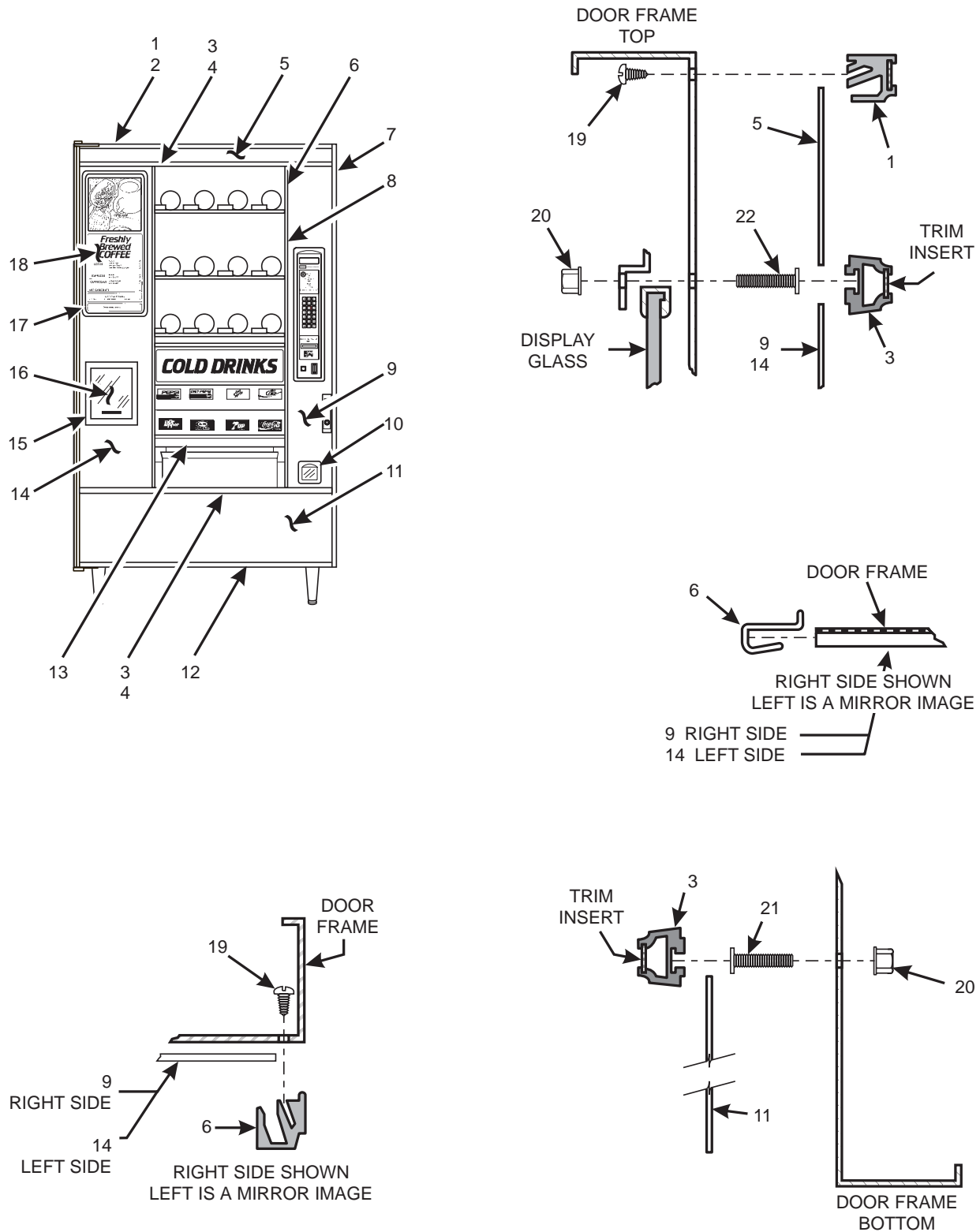


Figure 28. Common Trim and Panel Components - Standard Styling



# Refreshment Center 3 Parts Manual

**TABLE 28. COMMON TRIM AND PANEL COMPONENTS - STANDARD STYLING**

INDEX	PART NUMBER	DESCRIPTION	QTY.
1	1472025	TRIM - DOOR - TOP AND BOTTOM (IMPERIAL CROWN)	1
	1472097	TRIM - DOOR - TOP AND BOTTOM (SIGNATURE)	
2	1472026	TRIM - INSERT	1
3	1472028	TRIM - DOOR - HORIZONTAL	2
4	1472026	TRIM - INSERT	2
5	-	PANEL - TOP TRIM (SEE FIGURE 28 A FOR DETAILS)	1
6	1472190	TRIM - VERTICAL	2
7	1302409	TRIM - DOOR SIDE (IMPERIAL CROWN)	2
	1452203	TRIM - DOOR SIDE (SIGNATURE)	
8	1575047	CASTING - MONETARY FRAME - BLACK	1
-	1472132	SCREW, #6-32 X 1/4 PHS, T/C, PHILLIPS	10
9	-	TRIM PANEL - RIGHT HAND (SEE FIGURE 28 B FOR DETAILS)	1
10	1572011	TRIM - COIN CUP - BLACK	1
11	-	TRIM PANEL - BOTTOM (SEE FIGURE 28 C FOR DETAILS)	1
12	1472245	EDGE PROTECTOR	1
13	1582090	TRIM - PANEL - GLASS - LOWER	1
14	-	TRIM PANEL - LEFT HAND (SEE FIGURE 28 D FOR DETAILS)	1
15	4732035	TRIM ASSEMBLY DELIVERY - CUP STATION	1
-	9900081	NUT #8-32 W/LW (ATTACHES INDEX #15)	8
16	4732022	DOOR - DELIVERY - SILKSCREEN	1
17	4752043	FRAME - PRODUCT IDENTIFIER	1
-	6232078	NUT - SELF THREADING	9
18	4752105	LENS - SELECTION INSERT	1
-	4752123	INSERT - SELECT - RC3 - F.B. & F.D. - U.K. (U.S., U.K.)	1
-	4752124	INSERT - SELECT - RC3 - FD/FB - FR (FRENCH)	1
-	4752127	INSERT - SELECT - RC3 - FB (GERMAN)	1
19	1302282	SCREW - #6 X 3/8 RHS T/C	23
20	9900081	NUT #8-32 W/LW	14
21	2222110	T-BOLT TRIM - 3/8"	8
22	2222031	T-BOLT TRIM - 1/2"	6

# Refreshment Center 3 Parts Manual

TABLE 28 A. TOP TRIM PANEL (INDEX #5)

PART NUMBER	DESCRIPTION
1472019	PRESIDENTIAL WALNUT
1472101	BLACK HAIRCELL
1472109	DOVE
1472121	ENAMELED
1472150	VINYL SPECIAL
1472160	STERLING
1472168	TEAK
1472176	FORMICA SPECIAL
1472283	WHITE HAIRCELL
1472289	SLATE
1472294	BLACK PICA
1472308	BISON BLACK
1472321	NU WHITE

# Refreshment Center 3 Parts Manual

**TABLE 28 B. RIGHT SIDE TRIM PANEL (INDEX #9)**

<b>PART NUMBER</b>	<b>DESCRIPTION</b>
1572101	STERLING
1572106	BLACK PICA
1572115	COMP OAK
1572121	STERLING WITHOUT COIN
1572123	ENAMELED
1572130	NU WHITE
1572139	MOROCCO GREY
1572141	PEWTER
1572144	PLATINUM GREY
1572149	PRESIDENTIAL WALNUT
1572160	VINYL SPECIAL
1572163	WHITE HAIRCELL

# Refreshment Center 3 Parts Manual

TABLE 28 C. BOTTOM TRIM PANEL (INDEX #11)

PART NUMBER	DESCRIPTION
1472213	COMP OAK
1472216	PLATINUM GREY
1472232	PRESIDENTIAL WALNUT
1472234	FORMICA SPECIAL
1472235	DOVE
1472237	ENAMELED
1472238	VINYL SPECIAL
1472239	STERLING
1472241	TEAK
1472242	SLATE
1472243	BLACK HAIRCELL
1472248	PEWTER
1472286	WHITE HAIRCELL
1472297	BLACK PICA
1472311	BISON BLACK
1472322	NU WHITE

# Refreshment Center 3 Parts Manual

TABLE 28 D. LEFT SIDE TRIM PANEL (INDEX #14)

PART NUMBER	DESCRIPTION
4852062	VINYL SPECIAL
4852063	NU WHITE
4852090	MOROCCO GREY
4852064	BLACK PICA
4852060	STERLING
4852065	COMP. OAK
4852066	PLATINUM GREY
4852067	PEWTER
4852068	WHITE HAIRCEL
4852069	ENAMELED

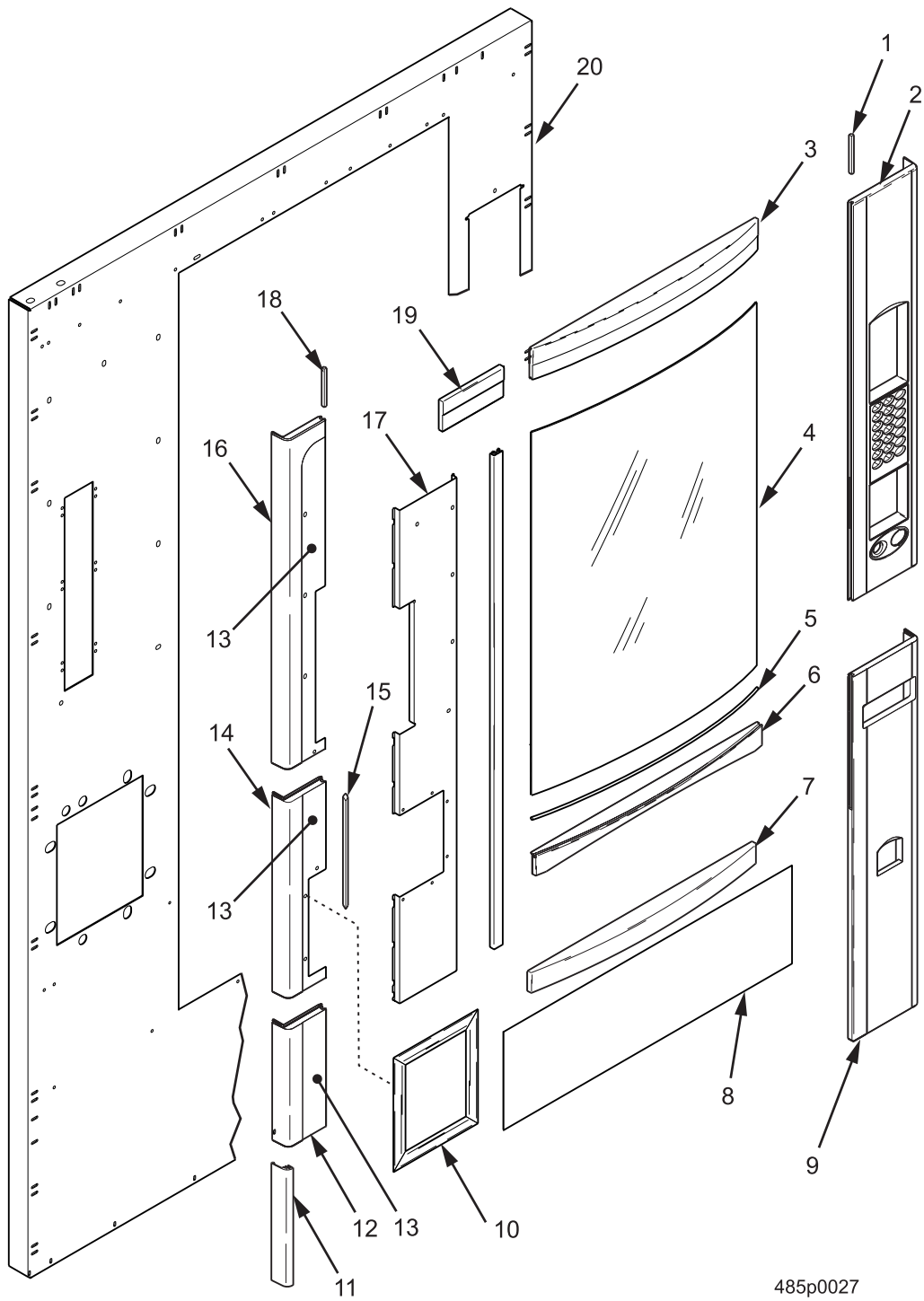


Figure 29. Common Trim and Panel Components - Millennium Styling (Part 1 of 2)

## Refreshment Center 3 Parts Manual

**TABLE 29. COMMON TRIM AND PANEL COMPONENTS - MILLENNIA STYLING (PART 1 OF 2)**

INDEX	PART NUMBER	DESCRIPTION	QTY.
1	1572259	FILLER - GROOVE - SHORT	2
2	1572213	RIGHT HAND TRIM - UPPER - A-21	1
3	1572214	RIGHT HAND TRIM - LOWER - B	1
4	4852054	DECAL/DOOR TRIM VERTICAL ASSEMBLY (INCLUDES DECALS FOR INDEX #'S 6, 8 & 9)	1
5	4852057	TRIM ASSEMBLY - CUP STATION	1
6	4552060	TRIM - BOTTOM - LEFT HAND - "E"	1
7	1572260	FILLER - GROOVE - LONG	1
8	4852053	TRIM - DOOR - L.H. - D	1
9	4852052	TRIM - DOOR - L.H. - C1	1
10	1572267	TRIM - LOWER DOOR SIDE - GRAY	1

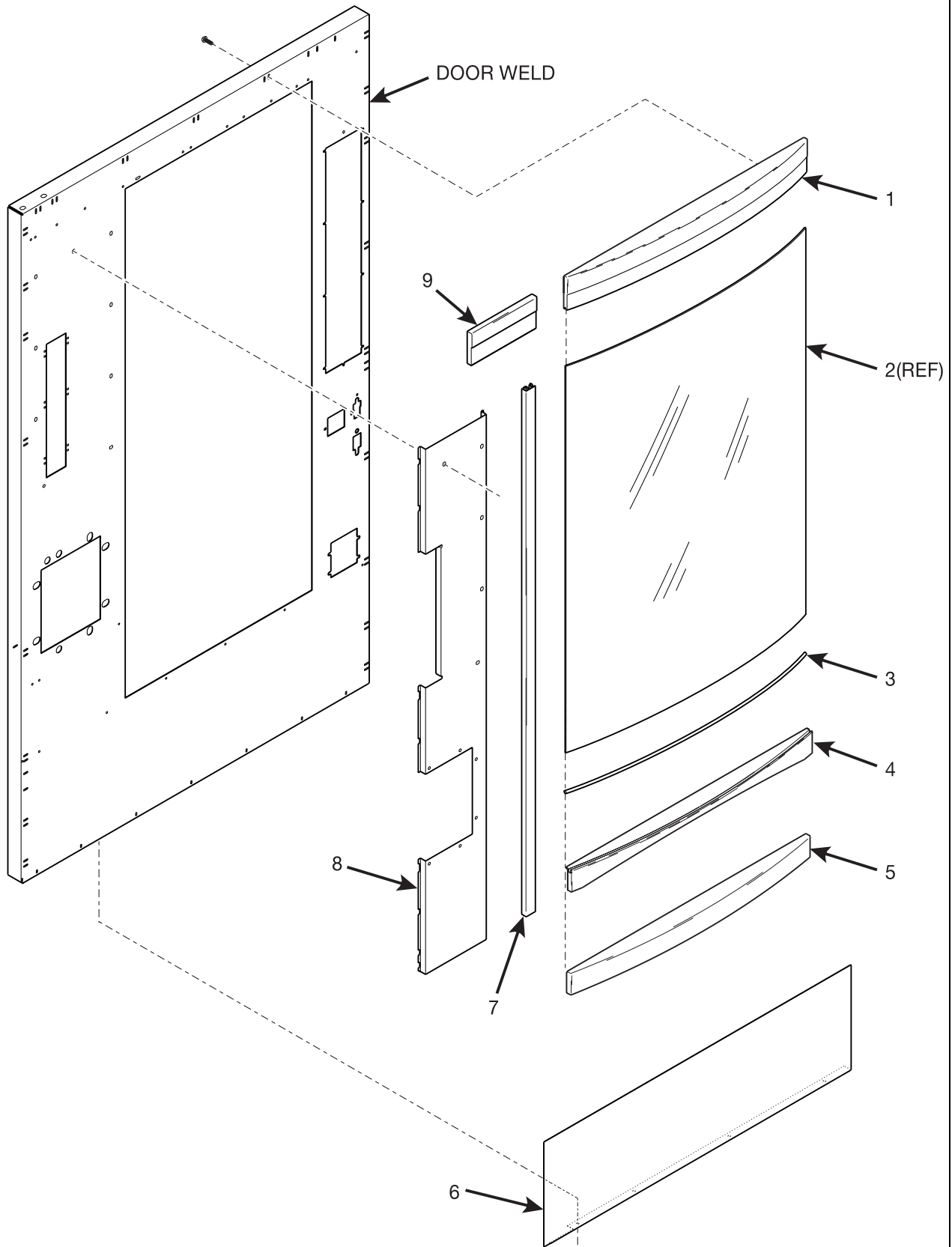


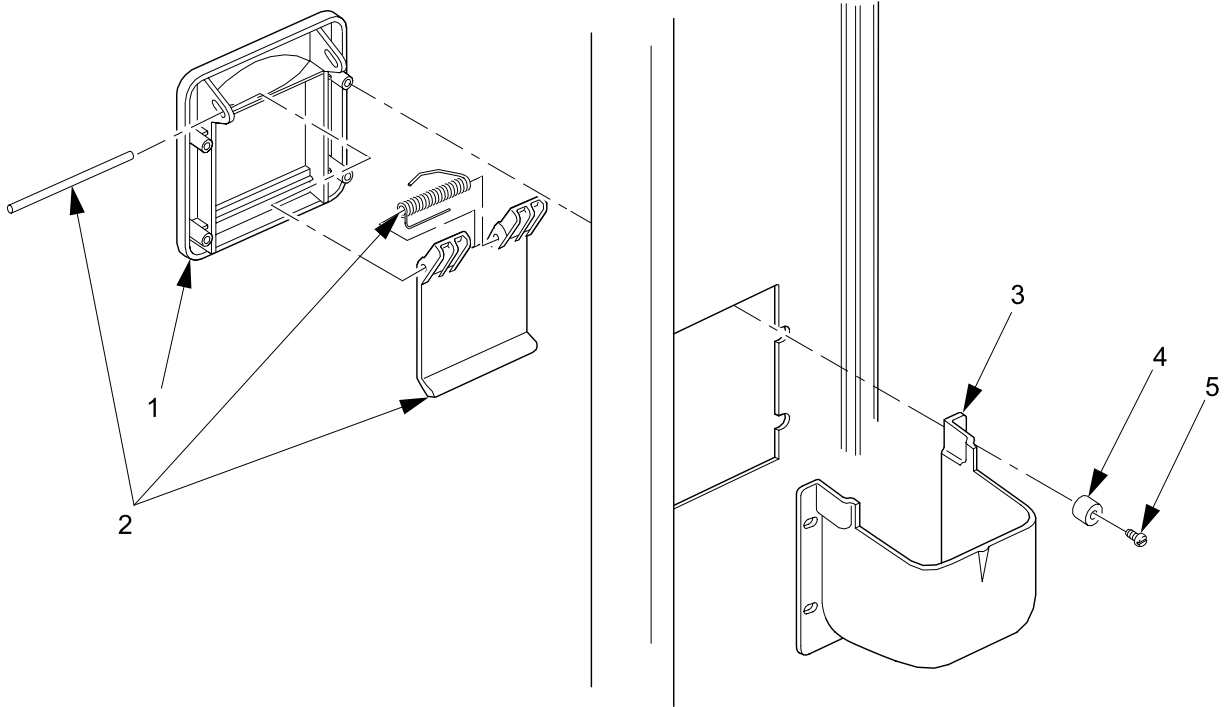
Figure 30. Common Trim and Panel Components - Millennium Styling (Part 2 of 2)



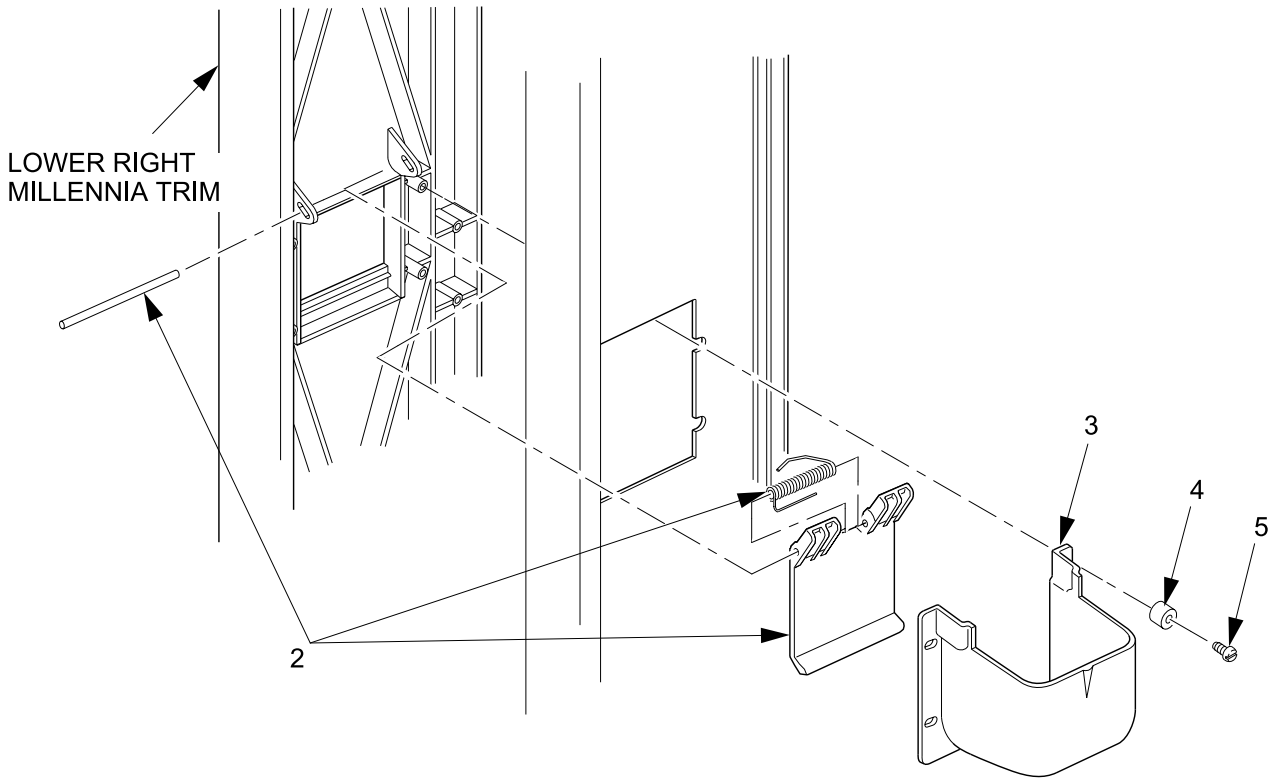
# Refreshment Center 3 Parts Manual

**TABLE 30. COMMON TRIM AND PANEL COMPONENTS - MILLENNIA STYLING (PART 2 OF 2)**

INDEX	PART NUMBER	DESCRIPTION	QTY.
1	1582200	HORIZONTAL TRIM - TOP - 32" H	1
2	1582079	GLASS - CURVED FRONT - 32" SNACK	1
3	1582093	GASKET - GLASS	1
4	1582201	HORIZONTAL TRIM - UPPER - J	1
5	1582202	HORIZONTAL TRIM - LOWER - K	1
6	4972152	PANEL - BOTTOM TRIM - GRAY	1
7	4852089	TRIM - DOOR - INSIDE - BLACK	1
8	4852051	PANEL - LEFT HAND TRIM	1
9	4852201	L.H. TOP TRIM - RC3	1



COIN RECEPTACLE ASSEMBLY - STANDARD



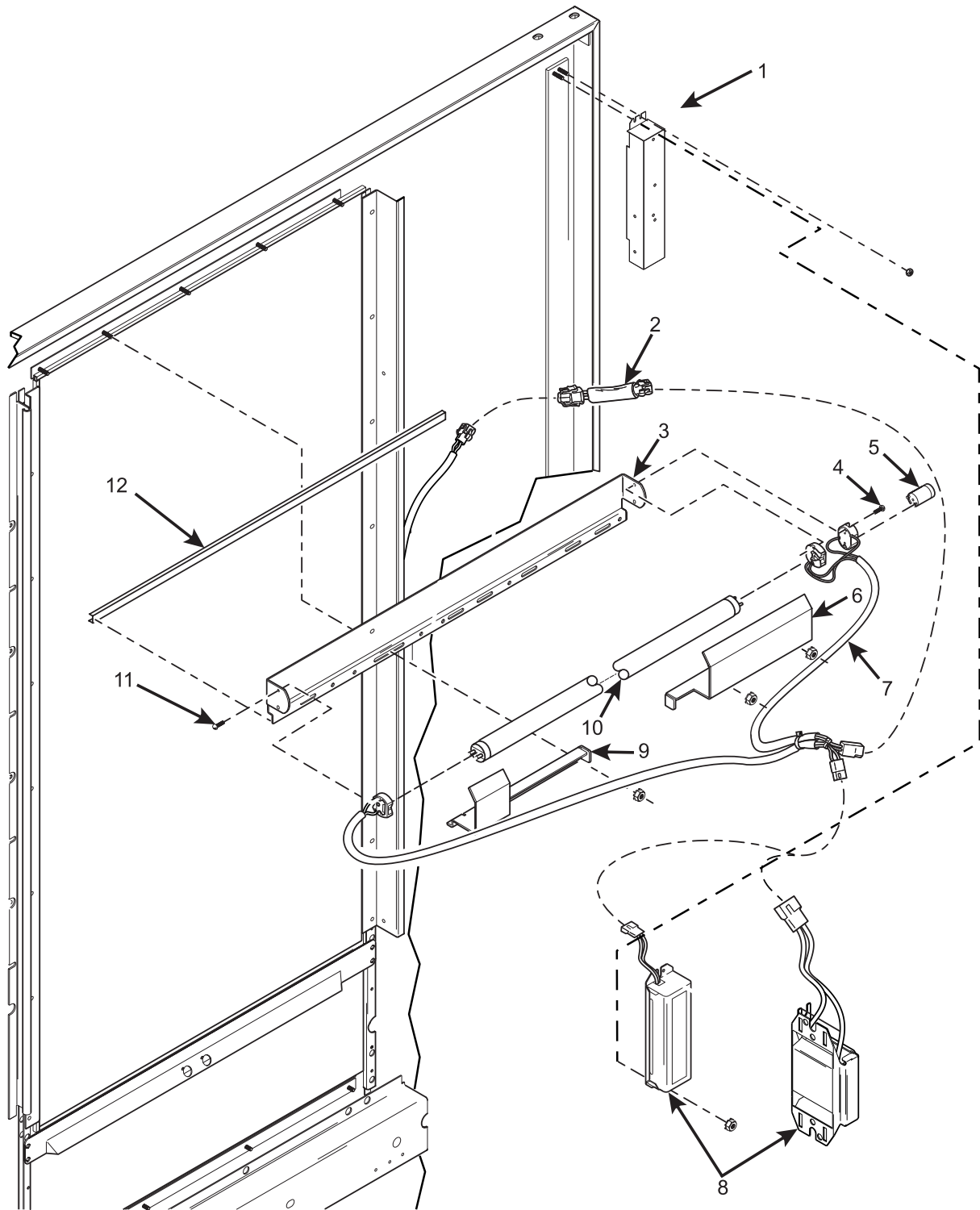
COIN RECEPTACLE ASSEMBLY - MILLENNIA  
Figure 31. Coin Receptacle Assemblies

497p0090

# Refreshment Center 3 Parts Manual

**TABLE 31. COIN RECEPTACLE ASSEMBLIES**

<b>INDEX</b>	<b>PART NUMBER</b>	<b>DESCRIPTION</b>	<b>QTY.</b>
1	2302093	SPACER - CUP	4
2	4042512	SCREW - #8-32 X 1/2 - PHS - S/T	4
3	1572010	CUP - COIN RETURN	1
4	4245082	GATE - COIN RETURN	1
5	4245083	SPRING - COIN RETURN DOOR	1
6	4245084	SHAFT - DOOR - COIN RETURN	1
7	1572011	TRIM - COIN CUP - BLACK (STANDARD DOOR ONLY)	1



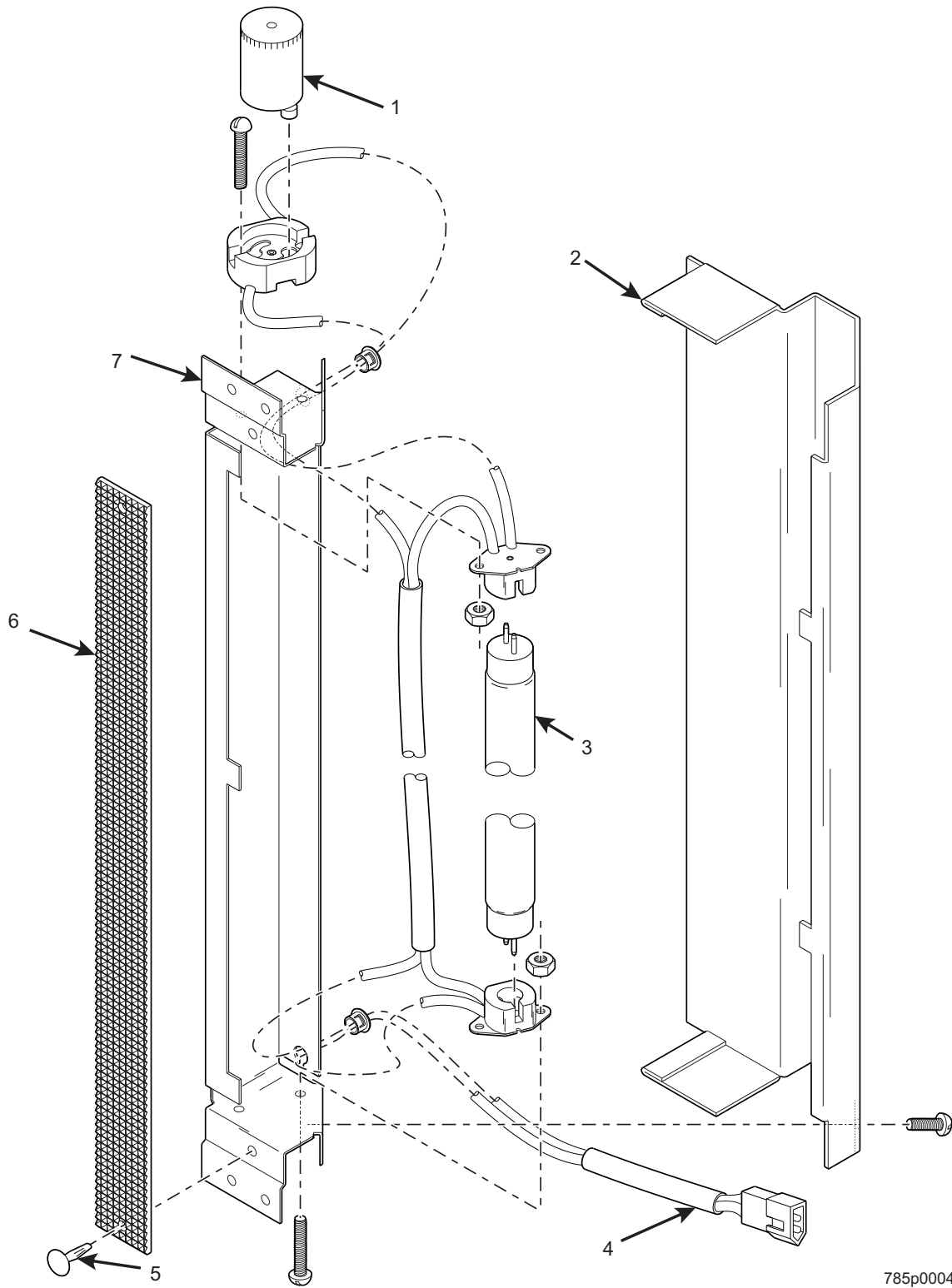
485p0009

Figure 32. Light Assembly - Upper Door

## Refreshment Center 3 Parts Manual

**TABLE 32. LIGHT ASSEMBLY - UPPER DOOR**

INDEX	PART NUMBER	DESCRIPTION	QTY.
-	1702003	LIGHT ASSEMBLY-UPPER-DOOR (20W) (120V/230V MODELS)	1
1	6332048	COVER - COMMON - EUROPE (COVERS BALLAST) (U.K., FR, GER)	1
2	1451124	SUPPRESSION NETWORK ASSEMBLY (ALL 120V MODELS)	1
	6332010	SUPPRESSION NETWORK ASSEMBLY (ALL 230V MODELS)	
3	1582025	BRACKET - LIGHT - COMMON - 20W	1
4	3107171	SCREW - #4-36X5.8 RHS	2
5	2222095	STARTER (20W)	1
6	1572045	COVER - LIGHT SOCKET - LEFT (230 V MODELS)	1
7	1709015	HARNESS - DOOR - FLUOR. LIGHT	1
8	3151058	BALLAST-120V	1
	1572016	BALLAST - 230V	
9	1572044	COVER - LIGHT SOCKET - RIGHT (230 V MODELS)	1
10	1122138	FLUORESCENT LAMP (20W)	1
11	1452046	SCREW - 4-36 X .437 RHS	1
12	1582085	SPACER - LIGHT BRACKET (MILLENNIA STYLE ONLY)	1



785p0004

Figure 33. Fluorescent Side Light Assembly

**TABLE 33. FLUORESCENT SIDE LIGHT ASSEMBLY**

INDEX	PART NUMBER	DESCRIPTION	QTY.
-	1572023	FLUORESCENT SIDE LIGHT ASSEMBLY	1
1	1212148	FLUORESCENT STARTER FS 5	1
2	4852049	COVER - LIGHT	1
3	2146059	LAMP - FLUORESCENT 8 WATT F8T5/CW	1
4	4849008	HARNESS - FLST. LT. - FOOD MODULE	1
5	4042556	CANOE CLIP	2
6	4842004	DIFFUSER - LIGHT	1
7	4842015	HOUSING - LIGHT - COMMON	1

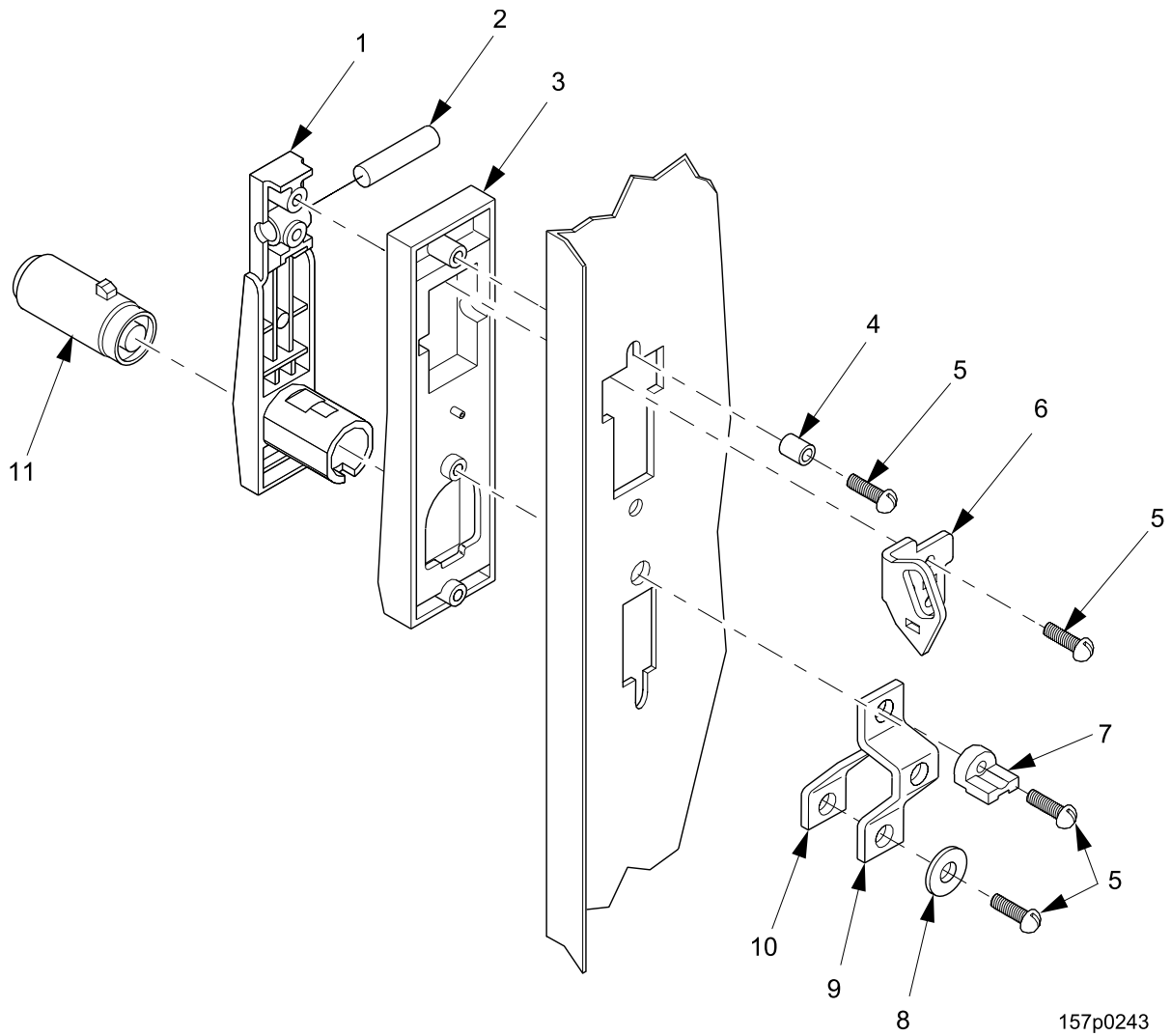


Figure 34. Door Lock and Handle Assembly (Standard Styling)



# Refreshment Center 3 Parts Manual

**TABLE 34. DOOR LOCK AND HANDLE ASSEMBLY (STANDARD STYLING)**

INDEX	PART NUMBER	DESCRIPTION	QTY.
1	1172190	LEVER - LOCK	1
2	1302291	PIVOT - LEVER LOCK	1
3	1172191	BASE - LEVER LOCK	1
4	2272052	ACTUATOR ASSEMBLY - LOCK BAR	1
5	1302289	CUP SPACER	1
6	1302326	SHIELD - LATCH	1
7	1302324	CATCH - DOOR LATCH	1
8	1302290	LATCH - LOCK LOWER	1
9	9992400	CYLINDER - LOCK	OPT
	3112163	VAN LOCK	
-	3112164	KEY (NOT SHOWN) VAN LOCK APPLICATION (NOT SHOWN)	1 OPT

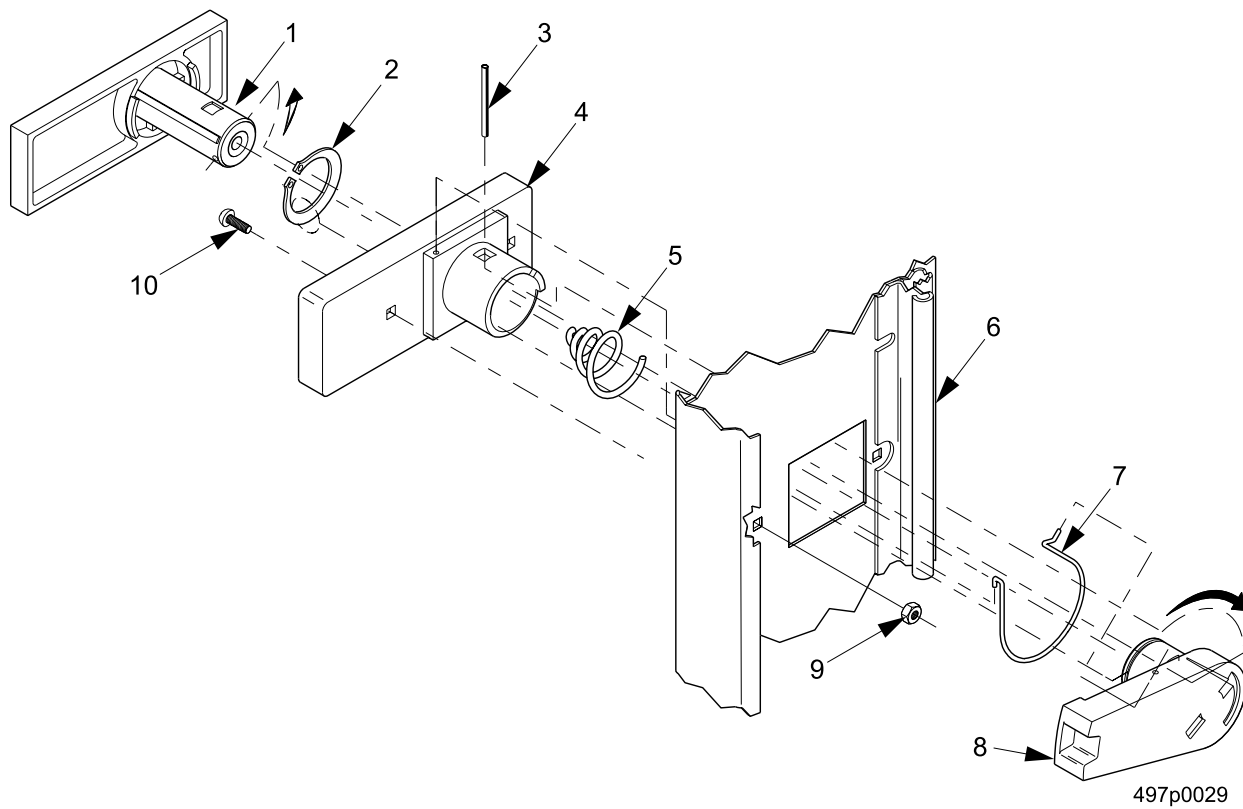


Figure 35. Door Lock and Handle Assembly (Millennia Styling)

# Refreshment Center 3 Parts Manual

**TABLE 35. DOOR LOCK AND HANDLE ASSEMBLY (MILLENNIA STYLING)**

INDEX	PART NUMBER	DESCRIPTION	QTY.
-	1572395	LOCK ASSEMBLY - MILLENNIA	1
1	1572397	LEVER - HANDLE	1
2	1572199	RETAINING RING - LOCK ACTUATOR	1
3	6104218	ROLL PIN - 1/8 X 1 IN.	1
4	1572396	BASE - LOCK HANDLE	1
5	1572203	SPRING - LOCK	1
6	--	DOOR WELD ASSEMBLY	REF.
7	1572398	ACTUATOR - LOCK BAR	1
8	1572204	SPRING - LIFT - ACTUATOR	1
9	9900152	NUT #10-24	2
10	2221908	CARRIAGE BOLT - BASE PLATE	2

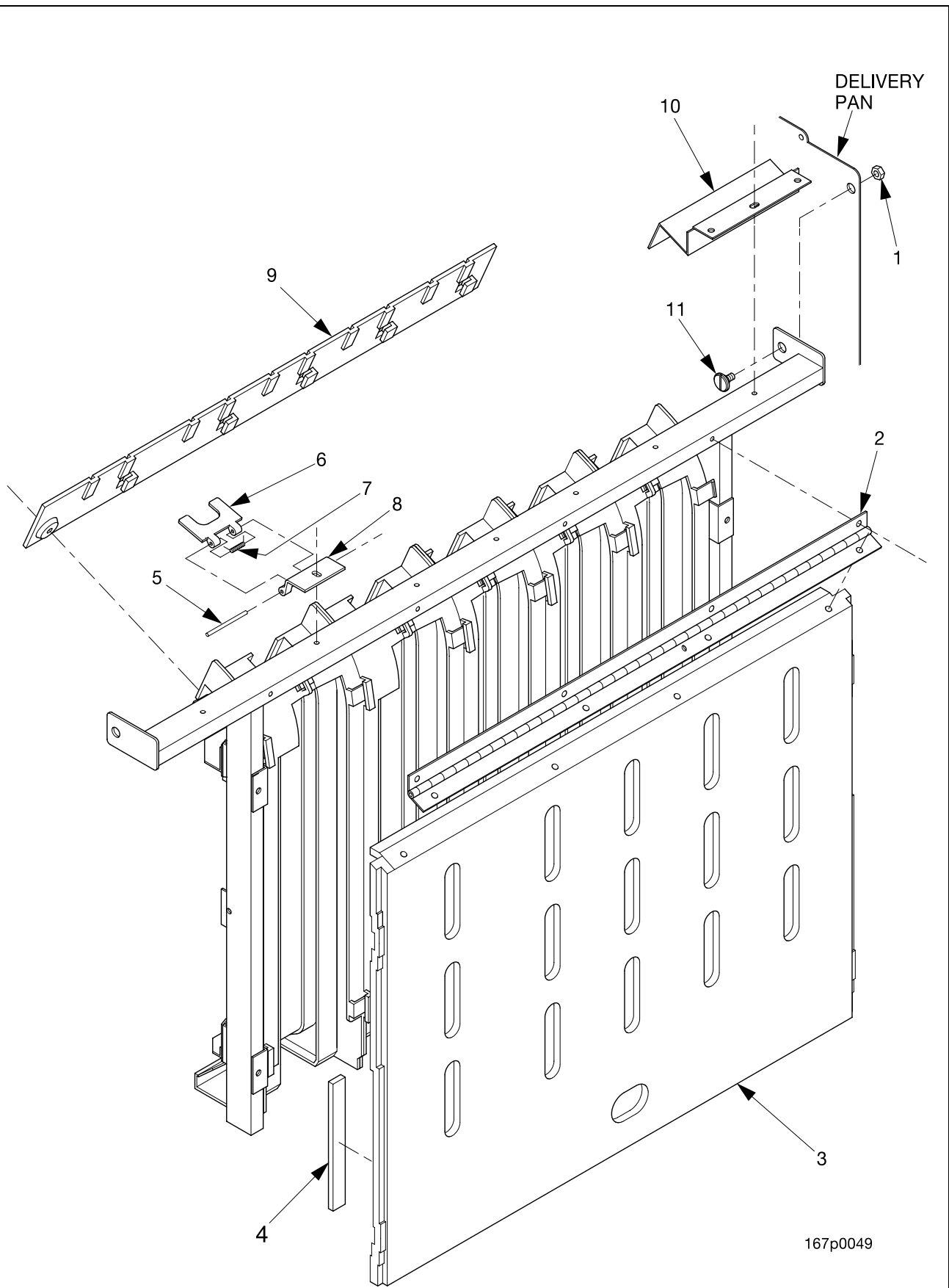
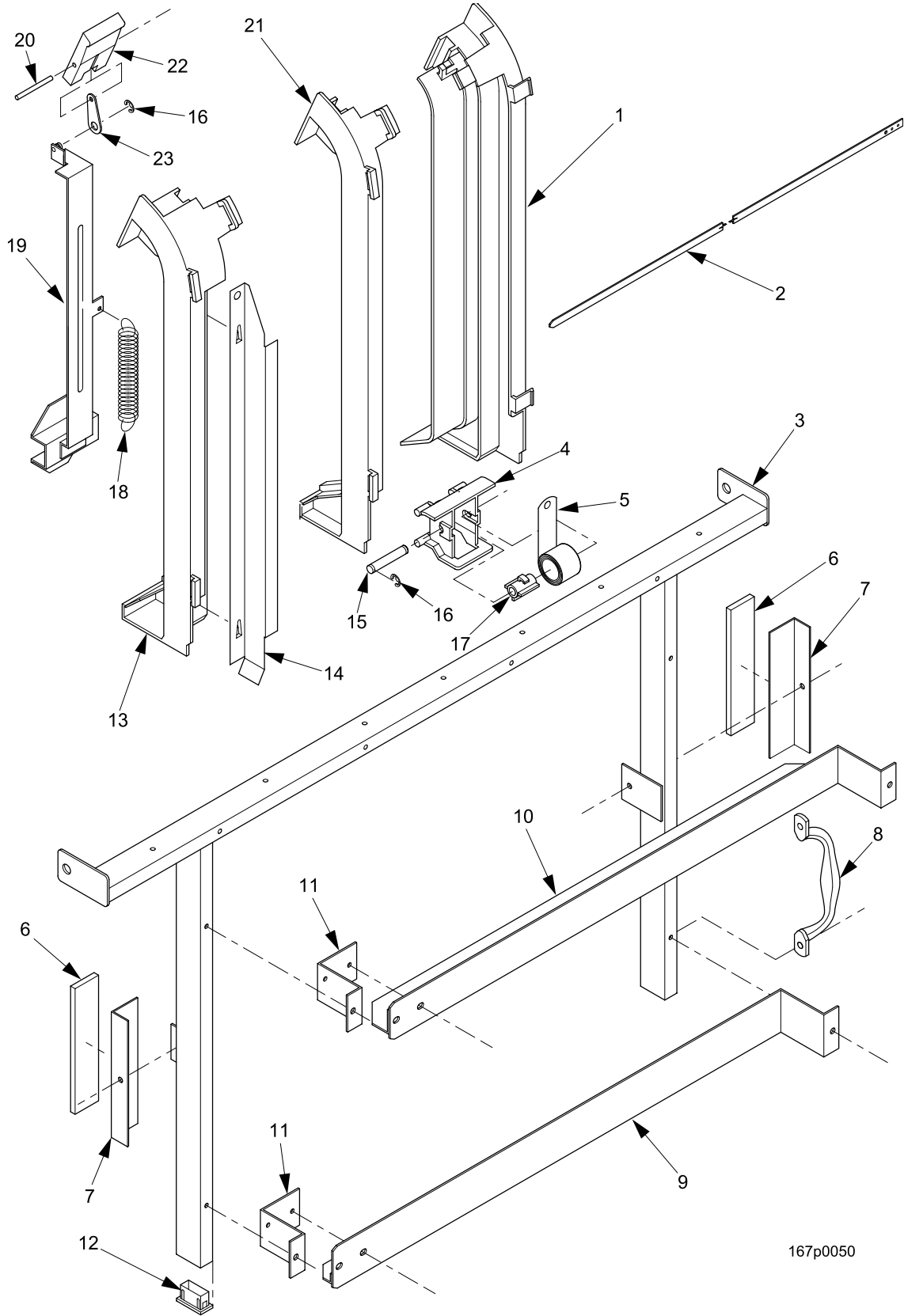


Figure 36. Gum and Mint Assembly (Part 1)

# Refreshment Center 3 Parts Manual

**TABLE 36. GUM AND MINT ASSEMBLY (PART 1)**

INDEX	PART NUMBER	DESCRIPTION	QTY.
-	1577000X	GUM & MINT COLUMN (167, 267, 764)	-
-	1587000X	GUM & MINT COLUMN (168, 268, 765, 784, 787)	-
1	1477048	SPIRAL-25 CT LH	1
2	1479104	HINGE - COVER	1
-	1479125	COVER ASSEMBLY (INCLUDES THE NEXT TWO ITEMS)	-
3	1479101	COVER - GUM & MINT	1
4	1479119	MAGNET - RETAINER	2
5	1479083	PIN - HINGE	5
6	1479081	HINGE - FRONT	5
7	1479084	SPRING - HINGE	5
8	1479082	HINGE - BACK	5
9	1479105	WINDOW - GUM & MINT	1
10	1479103	FILLER - GUM & MINT	2
11	1479052	STUD - PIVOT - G & M	2



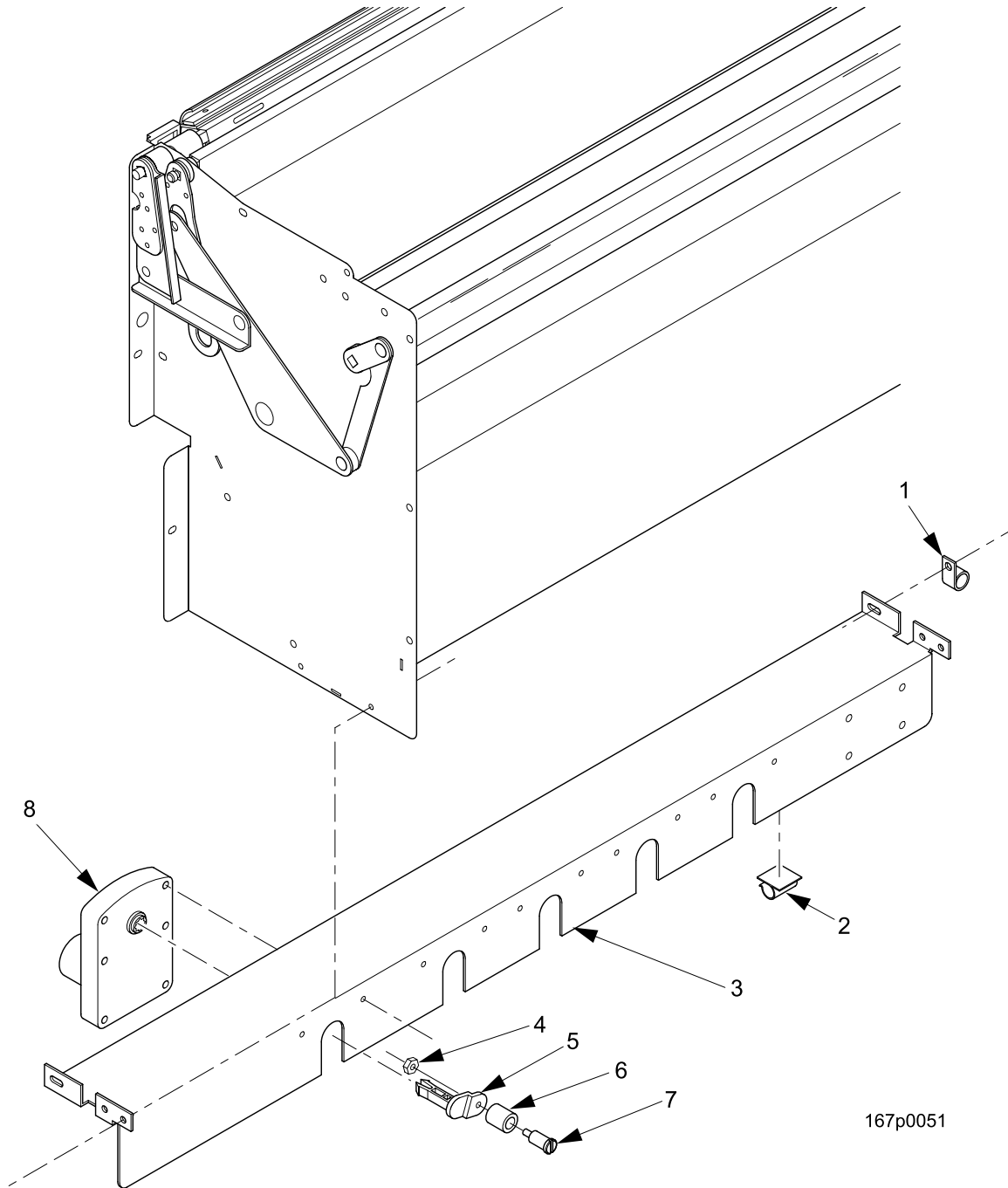
167p0050

Figure 37. Gum and Mint Assembly (Part 2)

# Refreshment Center 3 Parts Manual

**TABLE 37. GUM AND MINT ASSEMBLY (PART 2)**

INDEX	PART NUMBER	DESCRIPTION	QTY.
1	1479075	CHANNEL - GUM & MINT - LEFT	5
2	1579053	RETAINER	3
3	1479136	FRAME ASSEMBLY - GUM & MINT (167, 267, 764)	1
	1489008	FRAME ASSEMBLY - GUM & MINT (168, 268, 765, 784, 787)	
4	1479079	PUSHER	5
5	1479106	SPRING - PUSHER	5
6	3122056	MAGNET RETAINER - COIN CHANGER	2
7	1479117	ANGLE - MAGNET	2
8	1479139	PULL - DOOR	1
9	1479092	SUPPORT ASSEMBLY - MAGAZINE - LOWER	1
10	1479089	SUPPORT ASSEMBLY - MAGAZINE - UPPER	1
11	1479095	BRACKET - MAGAZINE	2
12	1479120	CAPLUG - REC. ½ X 1	2
13	1479077	CHANNEL - GUM & MINT - RIGHT - LARGE	2
14	1479064	SPACER - COLUMN - G & M	2
15	1479099	PIN - PUSHER	5
16	9900425	RETAINING RING REINF E TYP. 250	15
17	1479080	SPOOL - SPRING	5
18	4246307	SPRING - HORIZONTAL SELECTOR ARM	5
19	1677171	DRIVE BAR & STUD ASSEMBLY	5
20	1479098	PIN - EJECTOR	5
21	1479076	CHANNEL - GUM & MINT - RIGHT - SMALL	3
22	1479078	EJECTOR - GUM & MINT	5
23	1479097	LINK - EJECTOR	5
-	1579012	HARNESS - GUM & MINT (NOT SHOWN)	1



167p0051

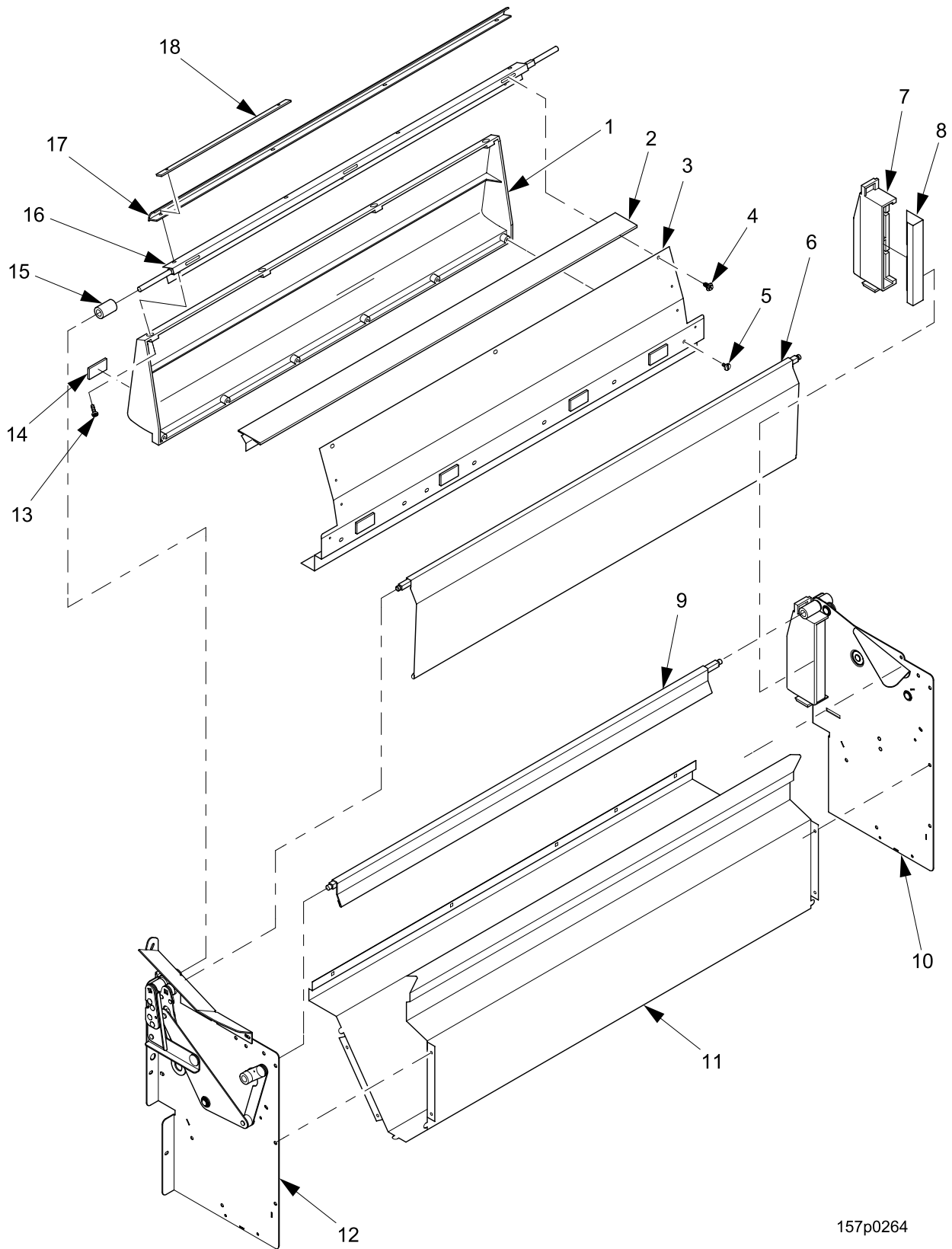
Figure 38. Gum and Mint Assembly (Part 3)



# Refreshment Center 3 Parts Manual

**TABLE 38. GUM AND MINT ASSEMBLY (PART 3)**

INDEX	PART NUMBER	DESCRIPTION	QTY.
1	1452139	RETAINER - HARNESS	1
2	6131143	CABLE CLAMP - RICHCO #KKC6	2
3	1489005	ANGLE - MOTOR (168, 268, 765, 784, 787)	1
	1572351	ANGLE - MOTOR (167, 267, 764)	
4	9900081	NUT #8-32 KEPS ZINC PLATE	5
5	1479145	ARM - DRIVE MOTOR	5
6	1479063	ROLLER - DRIVE ARM	5
7	1479062	STUD - DRIVE ARM	5
8	1577038	MOTOR & PC BOARD ASSEMBLY	5



157p0264

Figure 39. Delivery Pan Assembly

## Refreshment Center 3 Parts Manual

<b>TABLE 39. DELIVERY PAN ASSEMBLY</b>			
<b>INDEX</b>	<b>PART NUMBER</b>	<b>DESCRIPTION</b>	<b>QTY.</b>
-	1572354	DELIVERY PAN ASSEMBLY - 38" (167, 267, 764)	1
	1582134	DELIVERY PAN ASSEMBLY - 32" (168, 268, 765, 784, 787)	
1	1572053	DOOR - DELIVERY - 38" (167, 267, 764)	1
	1582080	DOOR - DELIVERY - 32" (168, 268, 765, 784, 787)	
2	1572280	FILLER - FRONT - 38" (167, 267, 764)	1
	1582127	FILLER - FRONT - 32" (168, 268, 765, 784, 787)	
3	1572289	BACK - DELIVERY DOOR - 38" (167, 267, 764)	1
	1582126	BACK - DELIVERY DOOR - 32" (168, 268, 765, 784, 787)	
4	1572415	DOOR ASSEMBLY - PILFERAGE - 38" (167, 267, 764)	1
	1582219	DOOR ASSEMBLY - PILFERAGE - 32" (168, 268, 765, 784, 787)	
5	1572229	FILLER - LEFT HAND	1
6	1572301	CHANNEL & STUD ASSEMBLY - L.H.	1
7	1572390	DEFLECTOR - L.H. - 38" (167, 267, 764)	1
8	1572416	SLEEVE - DELIVERY DOOR	2
9	1572418	SLEEVE - PILFER & REAR DR. - L.H	2
10	1572353	ARM ASSEMBLY - SPRING ASSIST	1
11	1572423	ACTUATOR ASSEMBLY. - SPRING ASSIST	1
12	1572420	SPRING	1
13	1572315	SPACER - DELIVERY DOOR	2
14	1572388	DOOR ASSEMBLY - REAR - 38" (167, 267, 764)	1
	1582146	DOOR ASSEMBLY - REAR - 32" (168, 268, 765, 784, 787)	
15	1572322	DEFLECTOR - INNER - L.H.	1
16	1572421	ANCHOR - SPRING	1
17	1572425	SIDE PLATE ASSEMBLY - R.H.	1
18	1572391	WELD ASSEMBLY - DELIVERY PAN - 38" (167, 267, 764)	1
	1582148	WELD ASSEMBLY - DELIVERY PAN - 32" (168, 268, 765, 784, 787)	
19	1572424	SIDE PLATE ASSEMBLY - L.H.	1
20	1572409	SPACER - SHAFT	1
21	1572410	LINKAGE ASSEMBLY - R.H.	1
22	1572417	SLEEVE - PILFER & REAR DR. - R.H	2
23	1572321	DEFLECTOR - INNER - R.H.	1
24	1572029	DEFLECTOR - PRODUCT - R.H.	1
25	1572230	FILLER - RIGHT HAND	1
26	1572300	CHANNEL & STUD ASSEMBLY - R.H.	1
27	1572447	CHANNEL ASSEMBLY - 38" - (167, 267, 764)	1
	1582231	CHANNEL ASSEMBLY - 32" - (168, 268, 765, 784, 787)	
28	1572448	GUARD - DELIVERY DOOR - UPPER - 38" (167, 267, 764)	1
	1582232	GUARD - DELIVERY DOOR - UPPER - 32" (168, 268, 765, 784, 787)	
29	1572449	STRIP - THREADED - 38" (167, 267, 764)	2
	1582233	STRIP - THREADED - 32" (168, 268, 765, 784, 787)	

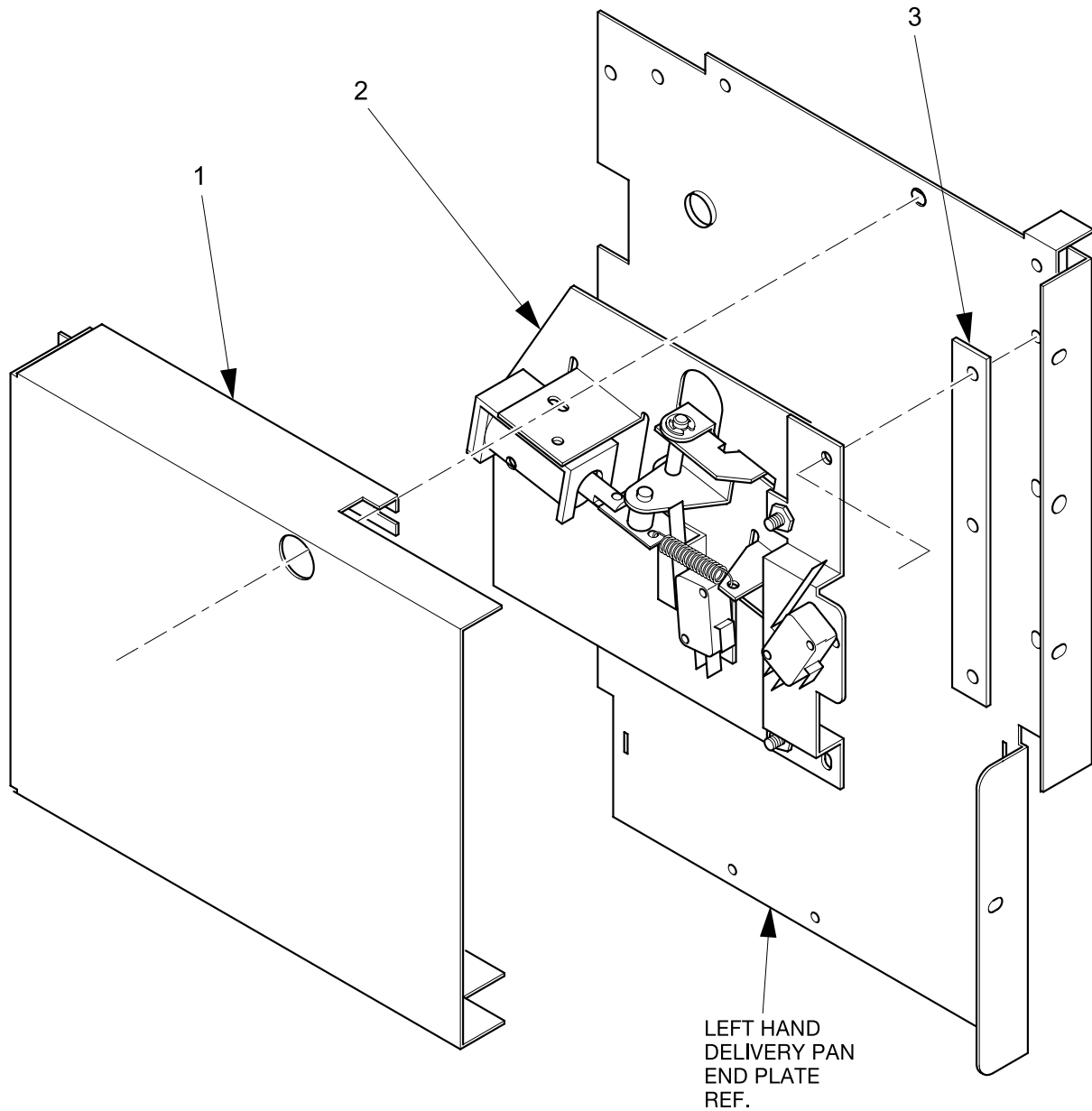
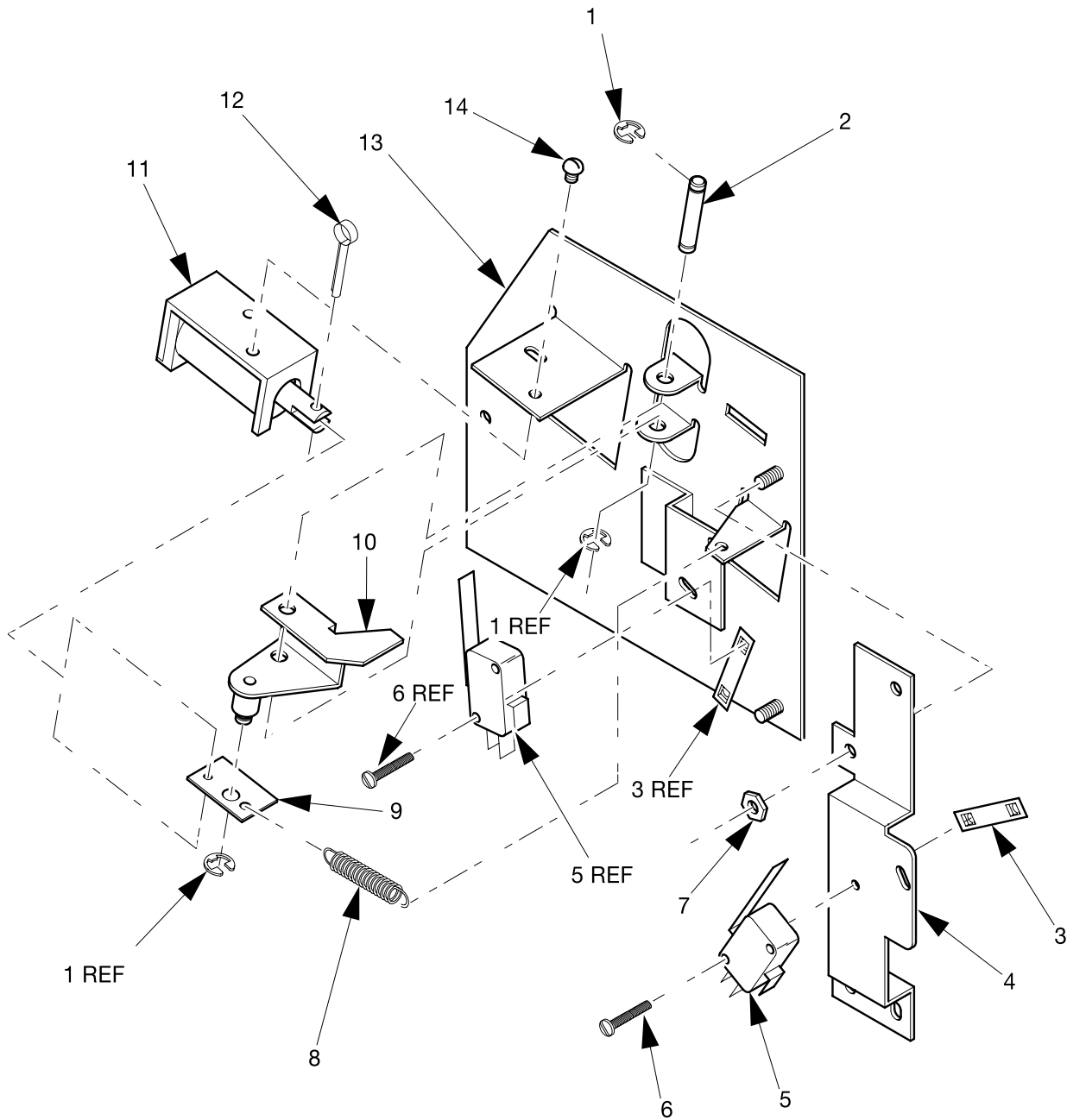


Figure 40. Delivery Pan Assembly Door Lock Mechanism - Part 1 of 2  
(Food Module Equipped Machines Only)

**TABLE 40. DELIVERY PAN ASSEMBLY DOOR LOCK MECHANISM - PART 1 OF 2 (FOOD MODULE EQUIPPED MACHINES ONLY)**

<b>INDEX</b>	<b>PART NUMBER</b>	<b>DESCRIPTION</b>	<b>QTY.</b>
1	4402027	COVER - LATCH MECHANISM	1
2	1572268	LATCH MOUNTING PLATE ASSEMBLY (SEE FIGURE 41 FOR DETAILS)	1
3	1572265	SPACER - SOLENOID LOCK	2



467p0008

Figure 41. Delivery Pan Assembly Door Lock Mechanism - Part 2 of 2 (Food Module Equipped Machines Only))

## Refreshment Center 3 Parts Manual

**TABLE 41. DELIVERY PAN ASSEMBLY DOOR LOCK MECHANISM - PART 2 OF 2 (FOOD MODULE EQUIPPED MACHINES ONLY)**

INDEX	PART NUMBER	DESCRIPTION	QTY.
1	9900418	RETAINING RING - REINF "E" TYPE - .187	3
2	4402022	PIN - LATCH	1
3	4302316	FASTENER - TWIN TYPE	2
4	1572264	BRACKET - SWITCH MOUNTING	1
5	9984633	SWITCH - LEVER - 1 7/8	2
6	1217160	4-40 X 5/8 RMS M SCREW Z/Y	4
7	9900081	NUT - #8-32 KEPS Z/P	2
8	1127808	SPRING - SHELF RESET	1
9	4402047	LINK - SOLENOID	1
10	4402023	LATCH AND STUD ASSEMBLY	1
11	4252030	SOLENOID - 24 VDC	1
12	9900098	COTTER PIN - 3/32 X 3/4 INCH	1
13	1572266	PLATE AND BRACKET ASSEMBLY	1
14	9900090	SCREW - #6-32 X 3/16 RHS W/LKW	2

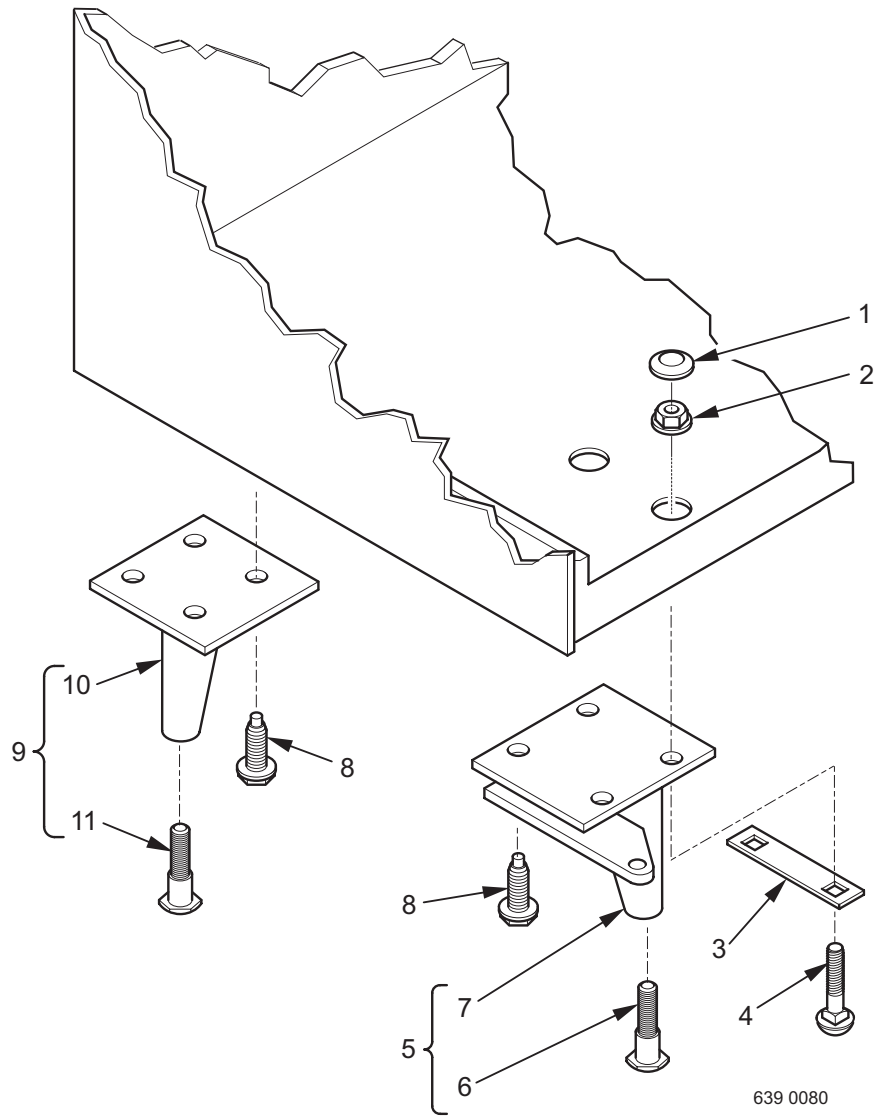


Figure 42. Leg, Leveler, and Leg and Hinge Assemblies



## Refreshment Center 3 Parts Manual

**TABLE 42. LEG, LEVELER, AND LEG AND HINGE ASSEMBLIES**

INDEX	PART NUMBER	DESCRIPTION	QTY.
1	6231034	PLUG - HOLE (NOT USED IN ALL APPLICATIONS)	2
2	1172021	NUT - 1/4-20 WHIZ-LOCK	2
3	6231203	PLATE - HINGE LEG BOLT	1
4	1211112	TRAY BOLT	2
5	6231163	LEG, HINGE, AND LEVELER ASSEMBLY	1
6	1471098	LEVELER - CABINET	1
7	1571115	LEG AND HINGE ASSEMBLY	1
8	9900218	SCREW - # 5/16 X 1 W/LOCKING RING	14
9	1471237	LEG AND LEVELER ASSEMBLY - CABINET	3
10	1571127	LEG ASSEMBLY - CABINET	1
11	1471098	LEVELER - CABINET	1

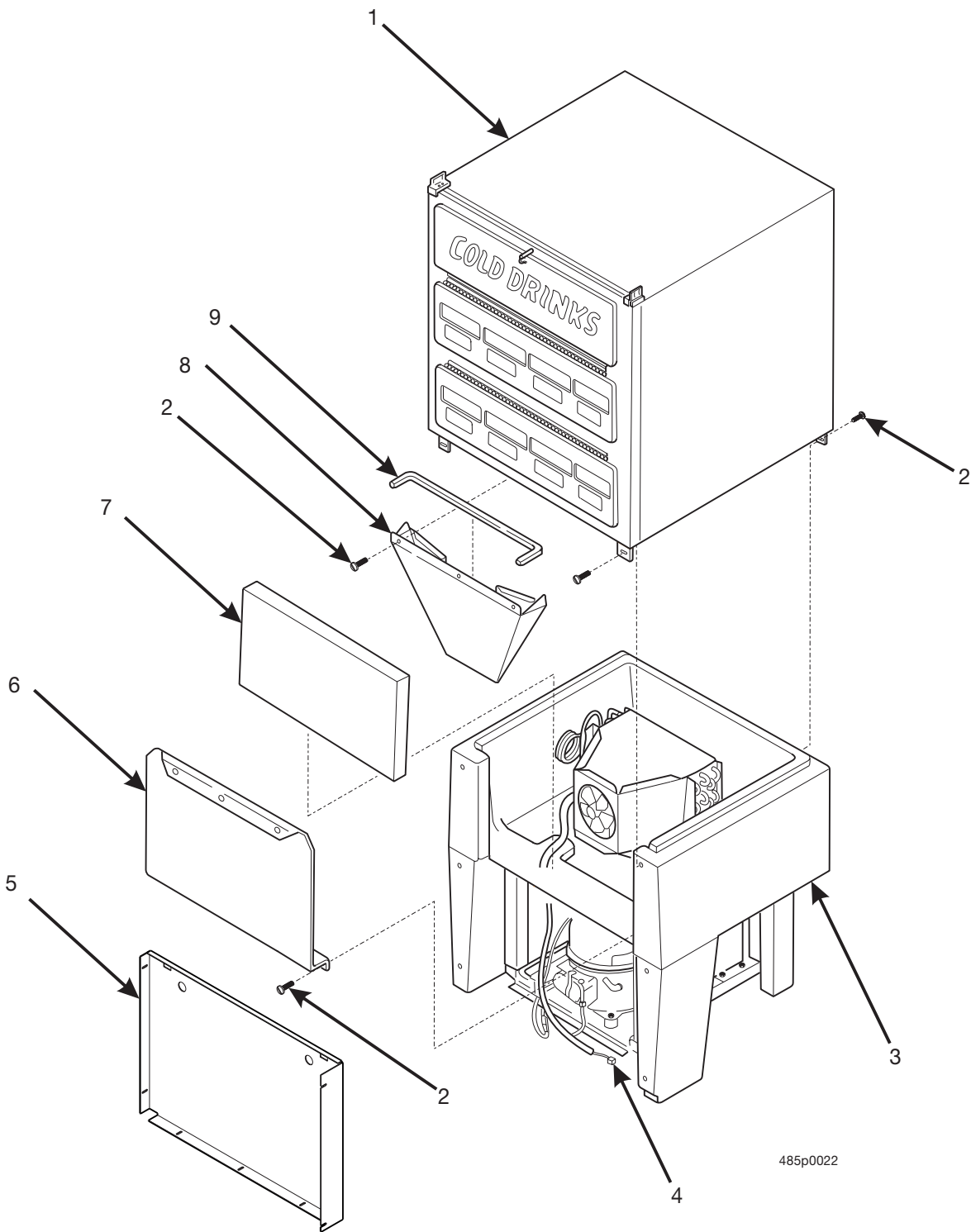


Figure 43. Can and Refrigeration Module

**TABLE 43. CAN AND REFRIGERATION MODULE**

INDEX	PART NUMBER	DESCRIPTION	QTY.
1	4847001	CAN MODULE ASSEMBLY - 8 SELECT (110V)	1
1	4877000	CAN MODULE ASSEMBLY - 8 SELECT (220V)	1
2	4727144	SCREW - #8-18 X .62 HEX HEAD	4
3	7844006	REFRIGERATION MODULE ASSEMBLY - FINAL - R134A -CAN (110V)	1
3	4874049	REFRIG. MOD. - CAN - FOR. - DANFOSS (220V)	1
4	4849025	HARNESS - CAN/CHILLER COMPRESSOR	1
5	4851073	COVER PAN - COMP. - CABINET	
6	4744042	DOOR - RETAINER	1
7	4744027	DOOR - REFRIGERATION MODULE	1
8	4744024	DUCT ASSEMBLY - AIR DISTRIBUTION	1
9	4744028	GASKET - DUCT DISTRIBUTION	1

**THE FOLLOWING IS AVAILABLE AS AN ASSEMBLY**

PART NUMBER	DESCRIPTION
4744023	DUCT & GASKET ASSEMBLY (INCLUDES INDEX NUMBERS 8 & 9)

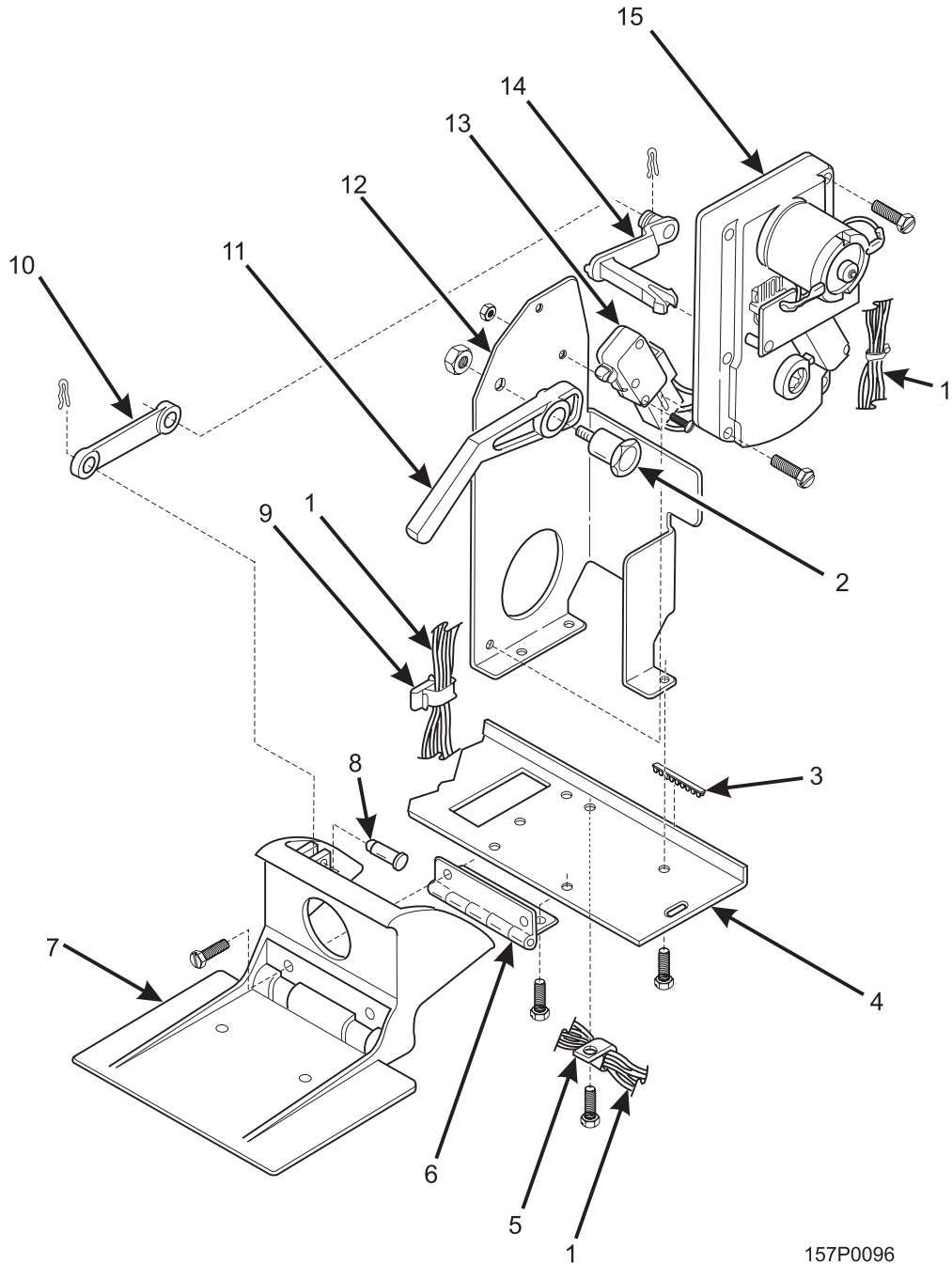


Figure 44. Motor and Ejector Mounting Channel Assembly

**TABLE 44. MOTOR AND EJECTOR MOUNTING CHANNEL ASSEMBLY**

INDEX	PART NUMBER	DESCRIPTION	QTY.
-	4847002	MOUNTING CHANNEL ASSEMBLY - MOTOR AND EJECTOR	-
-	4849029	HARNESS - CAM EJECTORS (AUSTRALIA) (NOT SHOWN)	-
1	4849028	HARNESS - CAM EJECTORS	2
2	1457099	STUD - TRAY ROLLER	4
3	4712002	EDGING - NYLON - LONG - 1.0"	4
4	4747029	CHANNEL - MOTOR AND EJECTOR MOUNTING	1
	4847036	CHANNEL - MOTOR AND EJECTOR MOUNTING (AUSTRALIA)	
5	2342315	CLIP - WIRE HARNESS	8
6	4747038	HINGE - EJECTOR	1
7	4747606	CAM - EJECTOR	1
8	4747031	PIVOT PIN - EJECTOR CAM	4
9	1212159	CLIP - WIRE	1
10	4747030	ARM - EJECTOR DRIVE	4
11	4747036	SWITCH - ACTUATOR - SOLD OUT	1
12	4747034	BRACKET - MOTOR MOUNTING	1
13	2366091	SWITCH - ROLLER - LEVER	1
14	4747035	CAM - EJECTOR DRIVE	1
15	1577035	PCB AND MOTOR ASSEMBLY	1

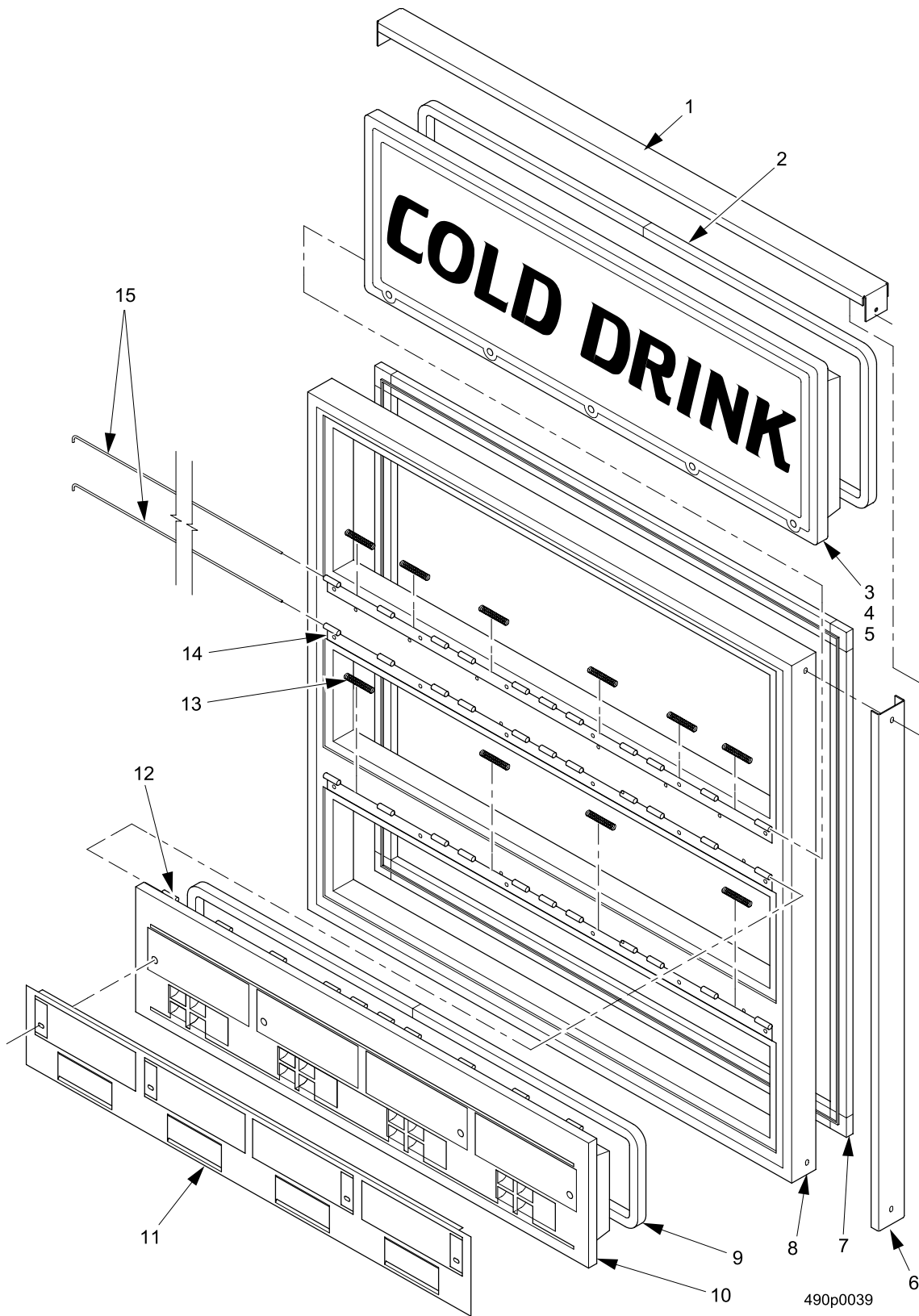
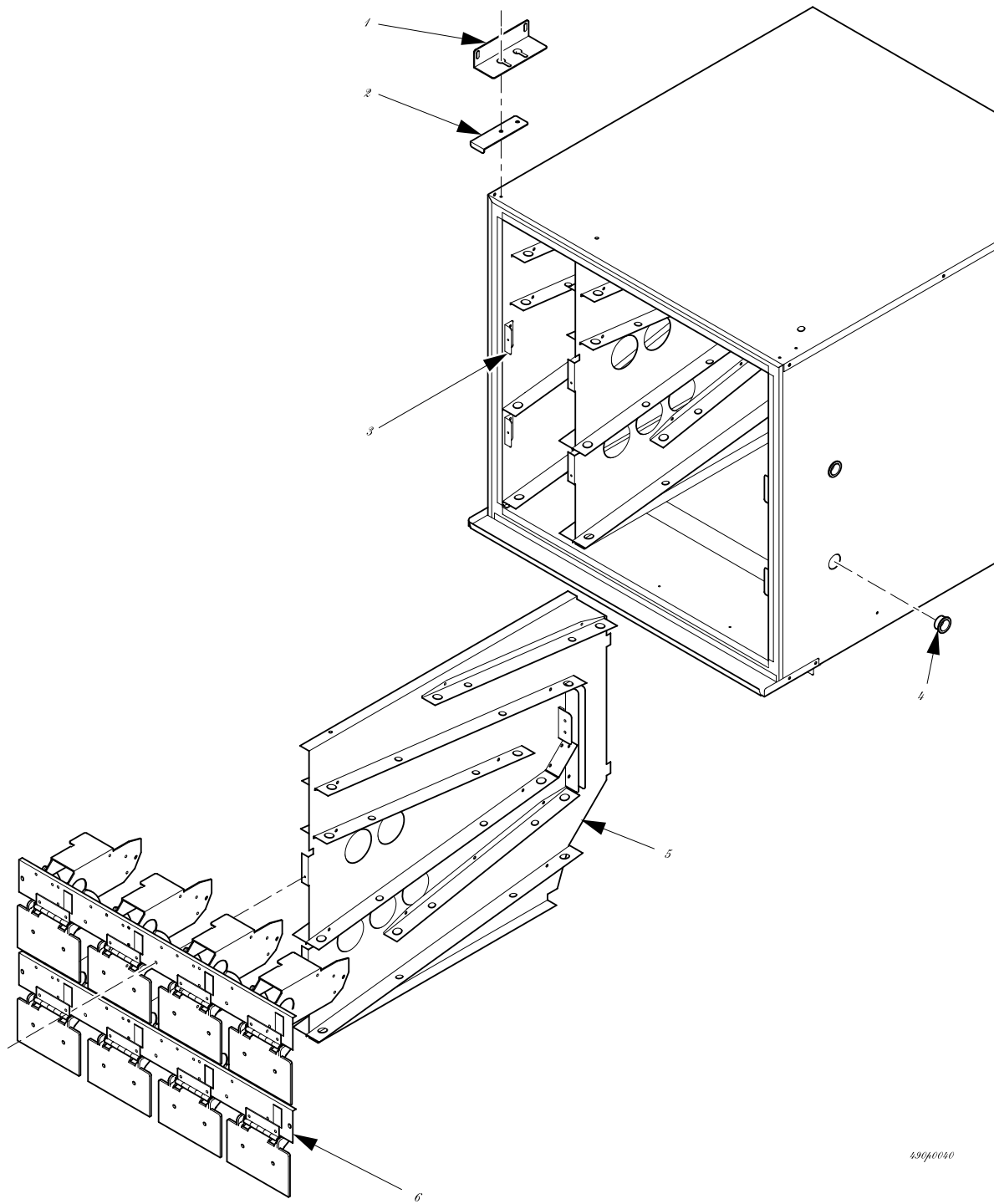


Figure 45. Can Unit Frame Assembly

# Refreshment Center 3 Parts Manual

**TABLE 45. CAN UNIT FRAME ASSEMBLY**

INDEX	PART NUMBER	DESCRIPTION	QTY.
-	4747065	FRAME ASSEMBLY - 8 SELECT	-
1	4747014	GASKET - LOADING DOOR	1
2	4747133	DOOR - LOADING	1
3	7847004	HINGE - DOOR	1
4	4727145	LABEL - LOADING DIAGRAM	1
5	4747003	GASKET - FRAME - 8 SELECT	1
6	4747127	FRAME - CAN MODULE - 8 SEL.	1
7	4747009	GASKET - DELIVERY DOOR	2
8	4747134	DOOR - DELIVERY	2
9	4747111	RETAINER - LABEL	2
10	7847004	HINGE - DOOR	2
11	4747064	SPRING - DOOR RETURN	14
12	7847003	HINGE - DELIVERY DOOR	3
13	4747135	PIN - HINGE	3



499/0050

Figure 46. Can Compartment Assembly



# Refreshment Center 3 Parts Manual

**TABLE 46. CAN COMPARTMENT ASSEMBLY**

<b>INDEX</b>	<b>PART NUMBER</b>	<b>DESCRIPTION</b>	<b>QTY.</b>
-	4847001	CAN MODULE ASSEMBLY - 8 SELECT (110V)	1
	4877000	CAN MODULE ASSEMBLY - 8 SELECT (220V)	
1	4741022	RETAINER - CAN MODULE	2
2	4747089	RETAINER - FRAME - UPPER	2
3	4747044	ANGLE - EJECTOR MOUNTING CHANNEL	4
4	4747042	BUSHING - OPEN/CLOSED	4
5	4747110	DIVIDER AND RAIL ASSEMBLY	3
6	4847002	MOTOR & EJECTOR MOUNTING CHANNEL ASSEMBLY	2

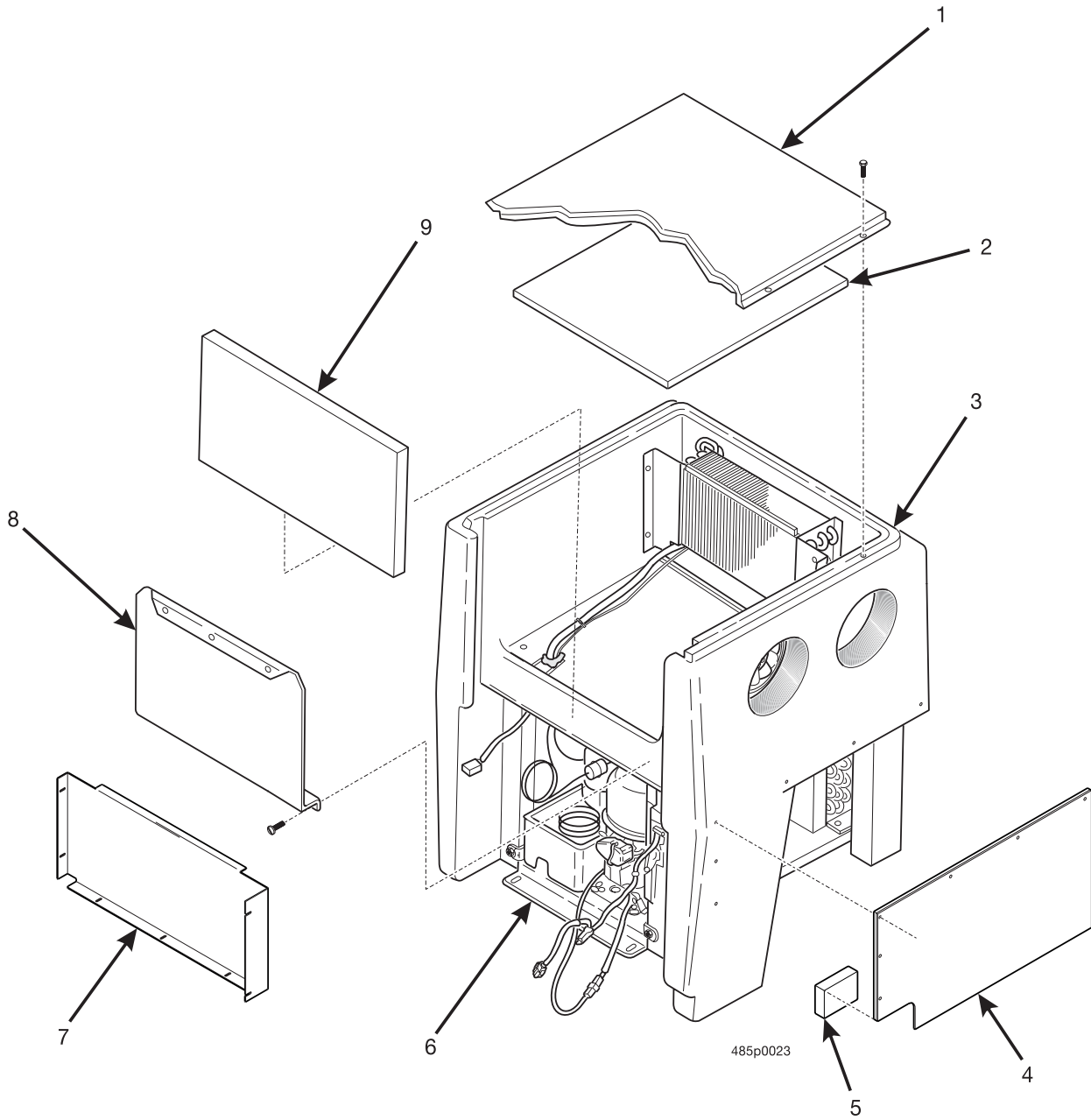
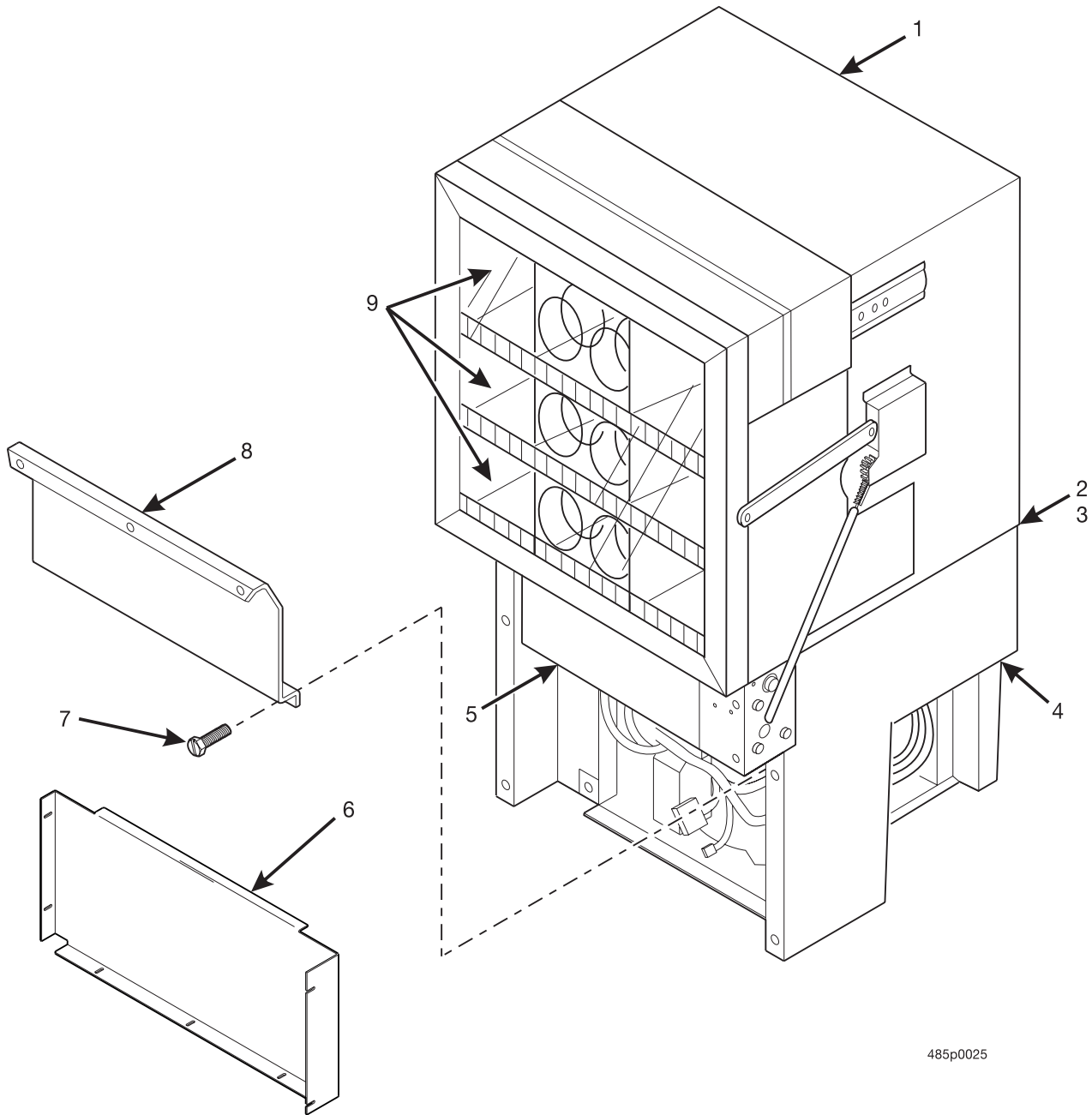


Figure 47. Refrigeration Module Assembly - Chilled Snack - No Food/No Can (Models 788, 789)

## Refreshment Center 3 Parts Manual

**TABLE 47. REFRIGERATION MODULE ASSEMBLY - CHILLED SNACK - NO FOOD/NO CAN (MODELS 788, 789)**

INDEX	PART NUMBER	DESCRIPTION	QTY.
1	4614080	COVER - REFRIGERATION MODULE HOUSING	1
-	4727144	SCREW - #8-18 X .62 HEX HEAD	9
2	4614118	INSULATION - REFRIGERATION MODULE	1
3	4614117	HOUSING - REFRIGERATION MODULE	1
4	4641074	COVER & SEAL ASSEMBLY - REFRIG. HOUSING	2
5	4641075	GASKET - COVER - REFRIG. HOUSING	2
6	4644025	COOLING UNIT FINAL ASSEMBLY (220 V)	1
7	4881038	COVER & SEAL ASSEMBLY - COMPRESSOR	2
8	4744042	DOOR RETAINER	1
-	4727144	SCREW - #8-18 X .62 HEX HEAD	3
9	4744027	DOOR - REFRIGERATION MODULE	1



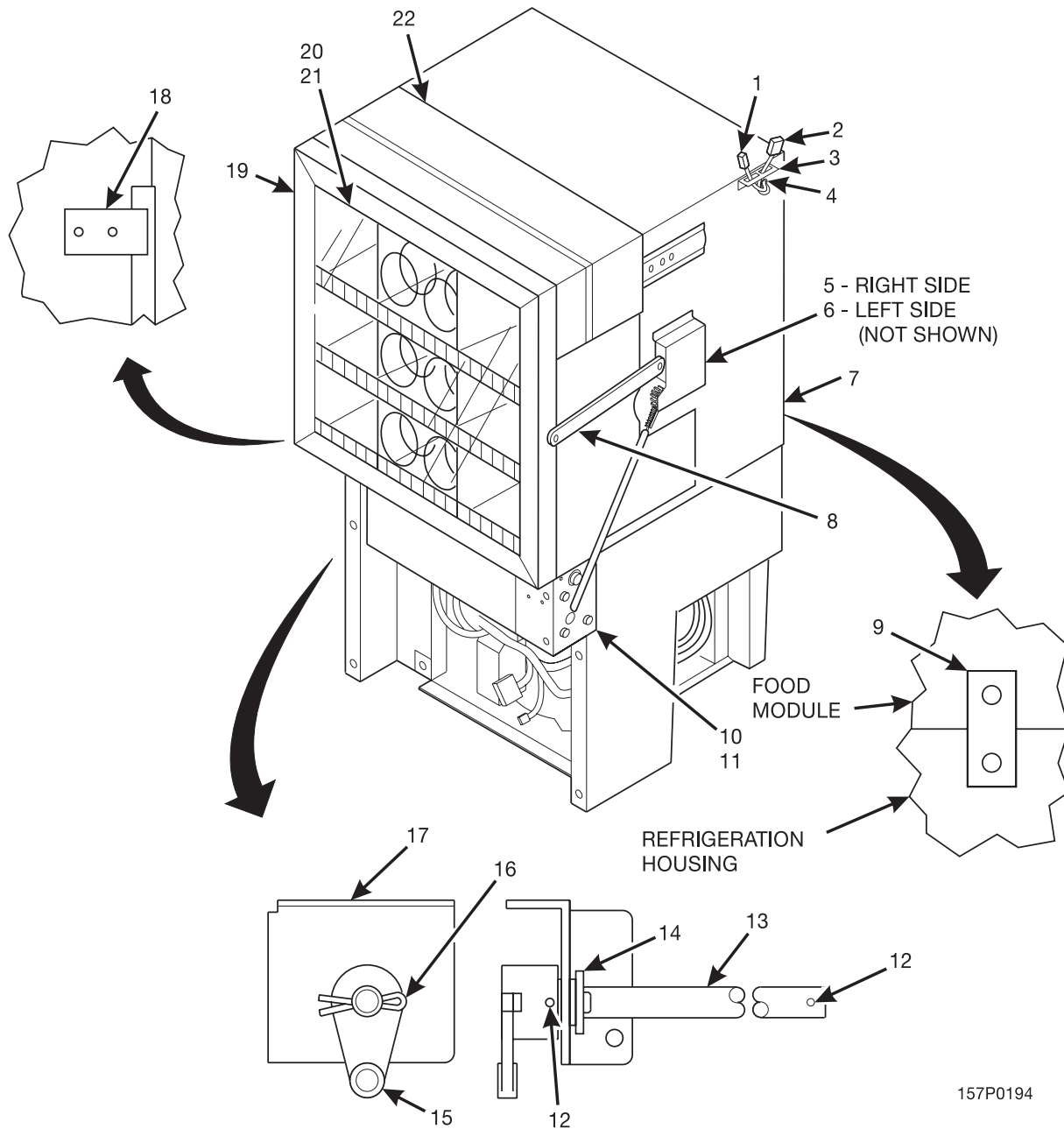
485p0025

Figure 48. Refrigerated Food Module and Housing Assembly

## Refreshment Center 3 Parts Manual

**TABLE 48. REFRIGERATED FOOD MODULE AND HOUSING ASSEMBLY**

INDEX	PART NUMBER	DESCRIPTION	QTY.
1	4847005	REFRIGERATED FOOD MODULE ASSEMBLY - 110V	1
	4847018	REFRIGERATED FOOD MODULE ASSEMBLY - 220V	
2	4404013	GASKET - REFRIGERATED MODULE - OUTSIDE	1
3	4744017	GASKET - REFRIGERATED MODULE	1
4	7844007	REFRIGERATION MODULE ASSEMBLY - 110V	1
	4874050	REFRIGERATION MODULE ASSEMBLY - DANFOSS (230V)	
5	4744027	DOOR - REFRIGERATION MODULE	1
6	4851075	COVER & SEAL ASSEMBLY - COMPRESSOR (MODEL 785, 786)	1
	4881038	COVER & SEAL ASSEMBLY - COMPRESSOR (MODEL 788, 789)	
7	4727144	SCREW - #8-18X.62 HEX HEAD	6
8	4744042	DOOR - RETAINER	1
9	-	TRAY ASSEMBLIES (SEE FIGURE 54 FOR DETAILS)	3



157P0194

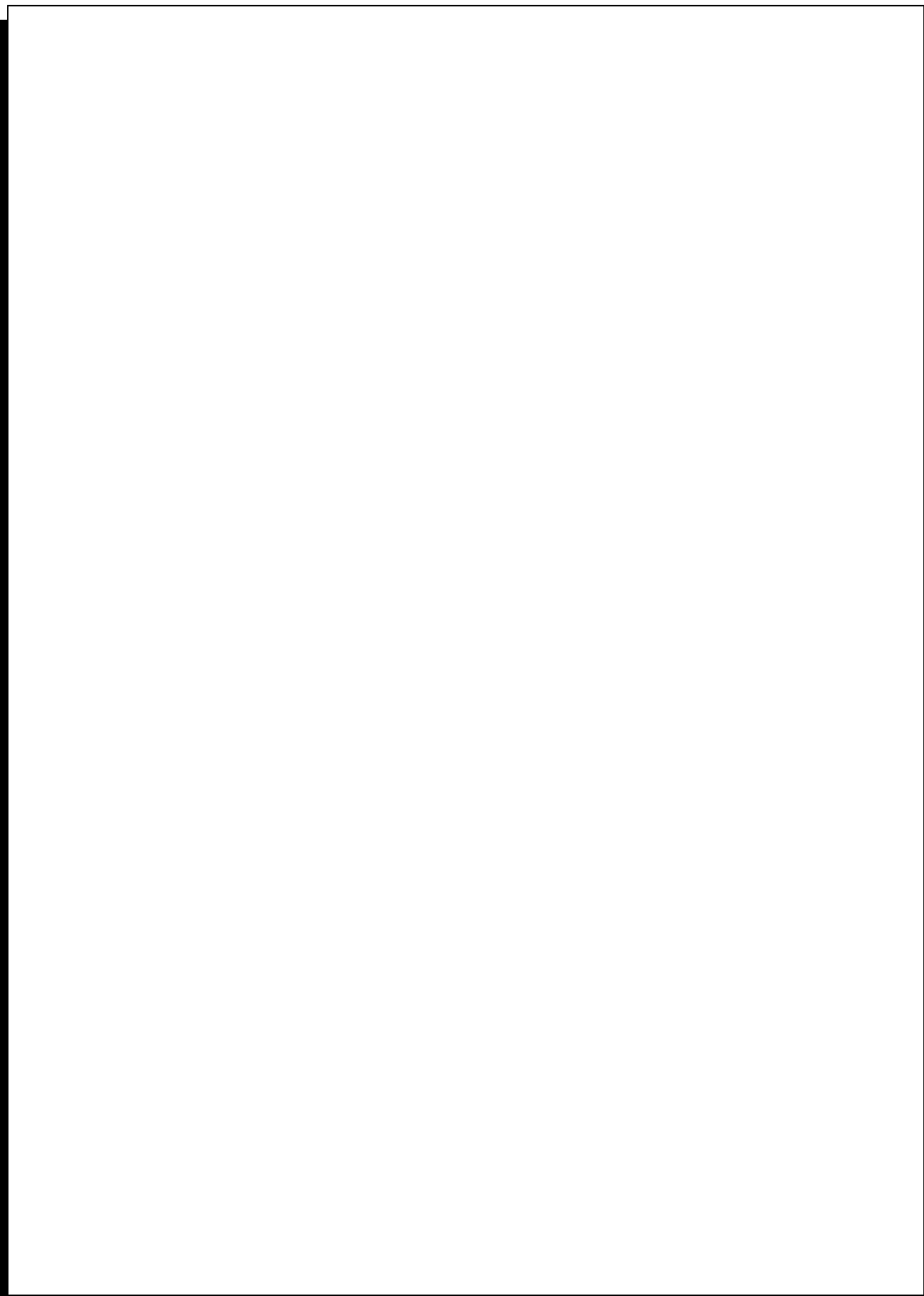
Figure 49. Major Components - Refrigerated Food Module

## Refreshment Center 3 Parts Manual

**TABLE 49. MAJOR COMPONENTS - REFRIGERATED FOOD MODULE**

INDEX	PART NUMBER	DESCRIPTION	QTY.
1	4119013	PROBE - TEMPERATURE SENSOR	1
2	4407009	JUMPER - CHANNEL PCB - FOOD MODULE	1
3	4407002	BRACKET - CABLE PLUG	1
-	4721035	SCREW - #8-18 X .38 - LGM	2
4	3502097	BUSHING #OCB - 500	1
5	4407069	DRIVE ARM ASSEMBLY - R.H. (SEE FIGURE 61 FOR DETAILS)	1
-	9900425	RETAINING RING REINF E TYP. 312	1
-	1451097	SCREW - #8-32 X .31 HEX HD. TF - BLK	5
6	4407052	DRIVE ARM ASSEMBLY - L.H. (SEE FIGURE 60 FOR DETAILS)	1
-	9900425	SCREW - RETAINING RING REINF. E TYP. 250	1
-	1451097	SCREW - #8-32 X .31 HEX HD. TF-BLK.	-
7	4407026	HOUSING & LINER ASSEMBLY - FOOD MODULE	1
8	9900431	RETAINING RING REINF. E TYP. 312	1
9	4747062	MOUNTING STRAP - CAN MODULE	1
-	4721035	SCREW - #8-18 X .38 - LGM	-
-	4727144	SCREW - #8-18 X .62 HEX HEAD	-
10	4407077	MOTOR MOUNTING BRACKET ASSEMBLY (SEE FIGURE 62 FOR DETAILS)	1
-	4721035	SCREW - #8-18 X .38 - LGM	3
-	4727144	SCREW - #8-18 X .62 HEX HEAD	1
11	4747725	COVER - MOTOR ASSEMBLY	1
-	1451097	SCREW - #8-32 X .31 HEX HD. TF-BLK	5
-	4407086	DRIVE SHAFT ASSEMBLY (INCLUDES INDEX #'S 12 - 17)	1
12	3127034	ROLL PIN 1/8 X 13/16	2
13	4407087	SHAFT - DRIVE	1
14	4047012	SHOULDER BUSHING	1
15	4407079	ARM - DRIVE	1
16	9900098	COTTER PIN 3/32 X 3/4 IN.	2
17	4407088	BRACKT - DRIVE SHAFT	1
18	4844027	GUIDE - DOOR FRAME SUPPORT	1
19	4407115	DOOR ASSEMBLY - REFRIGERATED FOOD MODULE (SEE FIGURE 59 FOR DETAILS)	1
-	5500026	SCREW - 8-32 X 3/8 PHS T/F	-
20	4741223	DECAL - COLD/FROZEN FOOD	1
21	4612001	DECAL - "CHILLED FOR FRESHNESS"	1
22	4747716	DOOR FRAME ASSEMBLY (SEE FIGURE 51 FOR DETAILS)	1
-	5500026	SCREW - 8-32 X 3/8 PHS T/F	-

# Refreshment Center 3 Parts Manual

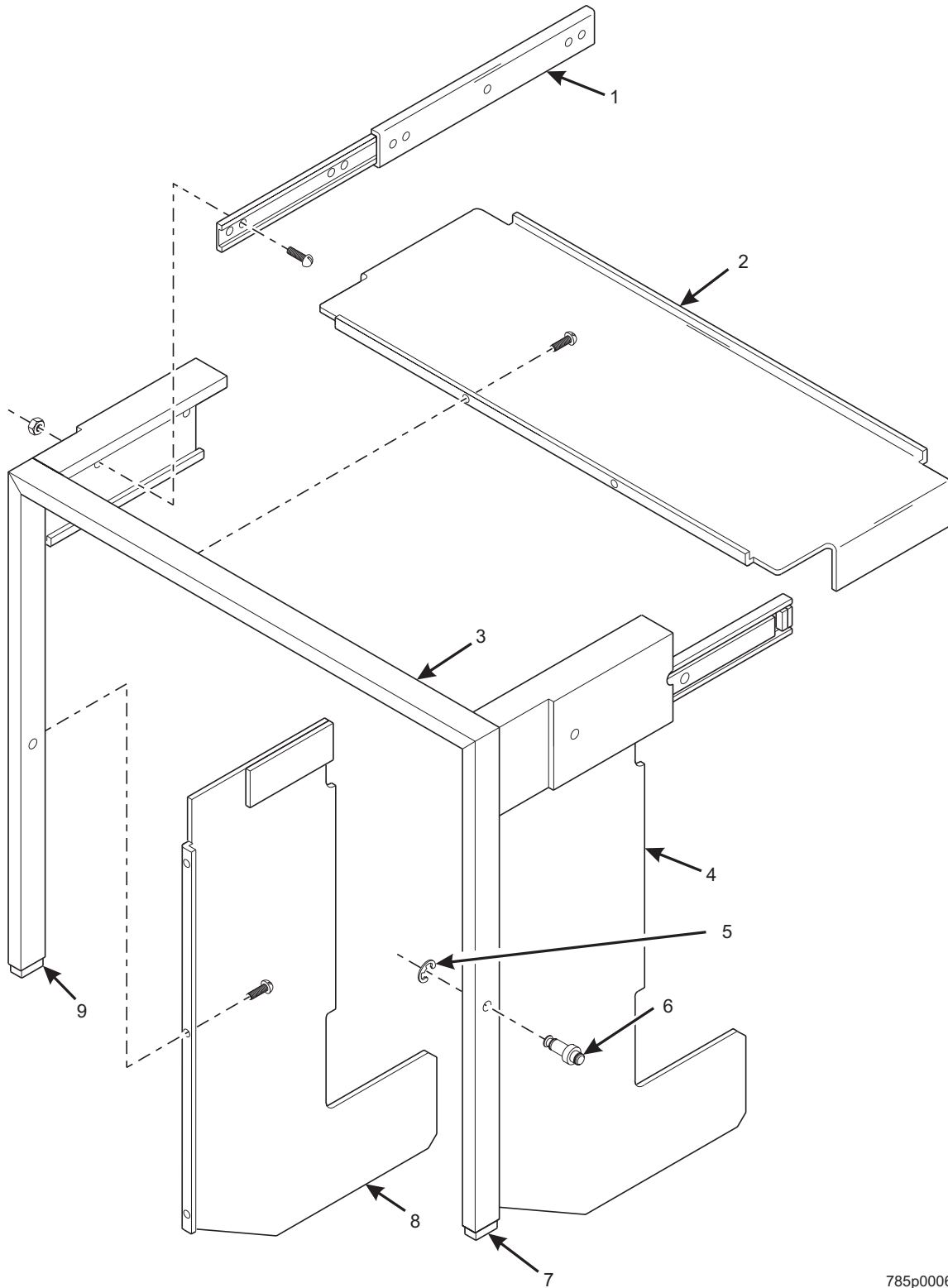




# Refreshment Center 3 Parts Manual

**TABLE 50. REFRIGERATION UNIT COMPONENTS**

MACHINE CONFIGURATION	785 - 786 AMBIENT SNACK AND CAN (115 V DOMESTIC)	785 - 786 AMBIENT SNACK AND REFRIGERATED FOOD (115 V DOMESTIC)	785 - 786 AMBIENT SNACK AND FROZEN FOOD (115 V DOMESTIC)	785 - 786 AMBIENT SNACK AND CAN (230 V INTERNATIONAL)	785 - 786 CHILLED SNACK AND CAN (230 V INTERNATIONAL)	785 - 786 CHILLED SNACK AND REFRIGERATED FOOD (230 V INTERNATIONAL)	785 - 786 CHILLED SNACK AND FROZEN FOOD (ONLY ONE EVAPORATOR)
PART DESCRIPTION	PART NUMBER						
REFRIGERATION UNIT ASSEMBLY	4844006	4844012	4844011	4854004	4874045	4874046	4874029
COMPRESSOR	4744108	4744408	4844028	4844014	4304211	4304211	4874026
COMPRESSOR COMPONENTS	4744106	4744106	4844031	4844015	4304210	4304210	4874027
CONDENSER	4744109	4744109	3634002	4744109	3634002	3634002	3634002
CONDENSER FAN MOTOR	4744112	4744112	4304092	3618157	4744122	4774122	4774122
CONDENSER FAN BLADE	3608149	3608149	4774027	6308149	4774027	4774027	4774027
EXPANSION DEVICE					4774087	4774087	
EVAPORATOR - CHILLED SNACK					4774022	4774022	
EVAPORATOR FAN ASSEMBLY					4844002	4844002	
EXPANSION DEVICE	4844024	4844024		4844024	4774087	4774087	
EVAPORATOR - CAN & REFRIGERATED FOOD	4744044	4744044		4744044	4774021	4774021	
EVAPORATOR FAN ASSEMBLY	4724124	4724124		4844001	4844001	4844001	
EXPANSION DEVICE			4744573				
EVAPORATOR - FROZEN FOOD			4744502				
EVAPORATOR FAN ASSEMBLY			4844000				
RETURN AIR TEMPERATURE PROBE	4119013	4119013	4119013	4119013	4119013	4119013	4119013
EPR VALVE					4774089	4774089	
TRIAC	4644008	4844019	4844018	4644008	4644008	4844019	4844018
DRIER	4304194	4304194	4304194	4304194	4304194	4304194	4304194
ACCUMULATOR	4724004	4724004		4724004	4724004	4724004	
DRAIN HEATER			4844506				4849026
DEFROST HEATER			4844022				4874037
DEFROST THERMOSTAT			4974053				4974053



785p0006

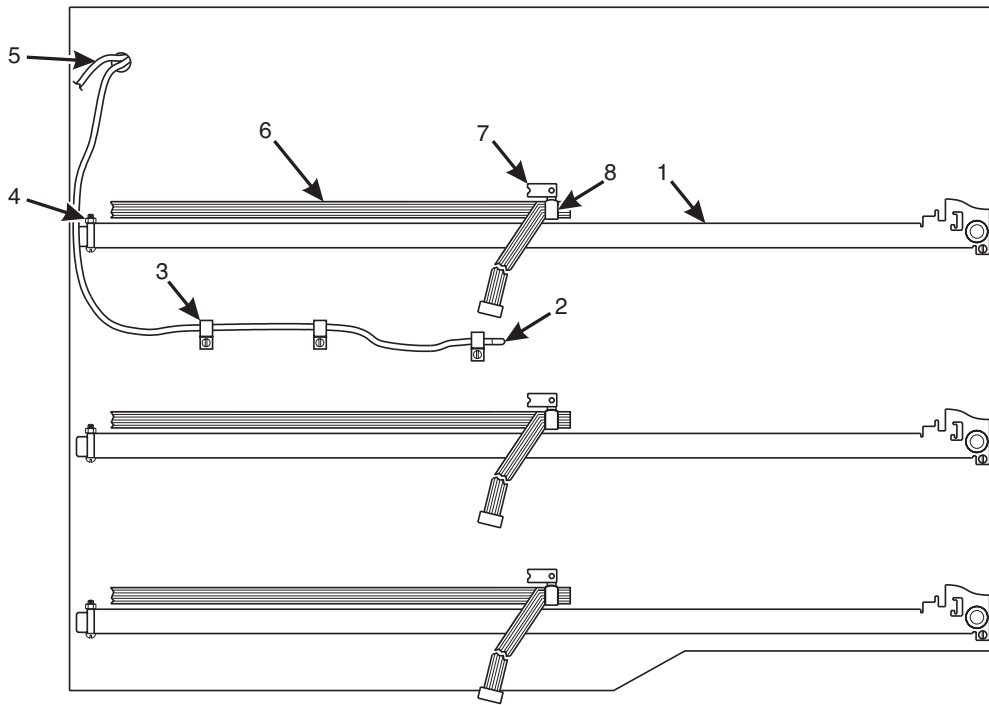
Figure 51. Refrigerated and Frozen Food Module Door Frame Assembly

# Refreshment Center 3 Parts Manual

**TABLE 51. REFRIGERATED AND FROZEN FOOD MODULE DOOR FRAME ASSEMBLY**

INDEX	PART NUMBER	DESCRIPTION	QTY.
-	4747716	DOOR FRAME ASSEMBLY	1
1	4407103	SLIDE - 10"	2
2	4407106	SHIELD - TOP	1
3	4407107	DOOR FRAME WELD ASSEMBLY	1
4	4407159	SHIELD - RIGHT SIDE	1
5	9900431	RETAINING RING REINF E TYP. 3	1
6	4407102	STUD - DOOR LATCH	1
7	1479120	CAPLUG - REC. ½ X 1	1
8	4407158	SHIELD - LEFT SIDE	1
9	4407101	SUPPORT - DOOR FRAME	1

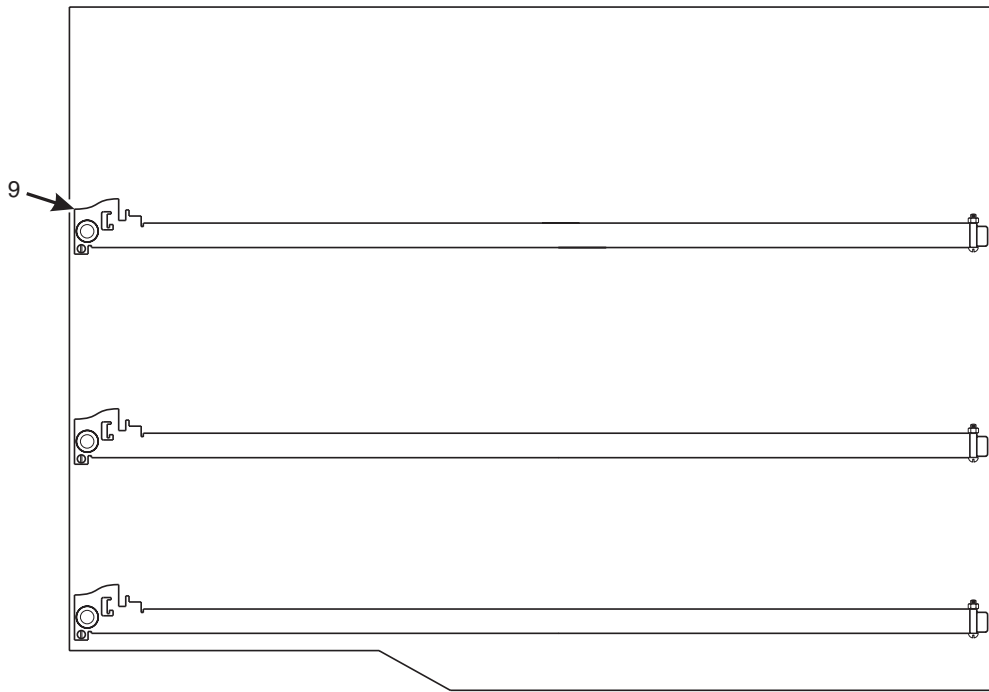
# Refreshment Center 3 Parts Manual



BACK

CABINET INTERIOR RIGHT SIDE VIEW

FRONT



FRONT

CABINET INTERIOR LEFT SIDE VIEW

BACK

157P0195

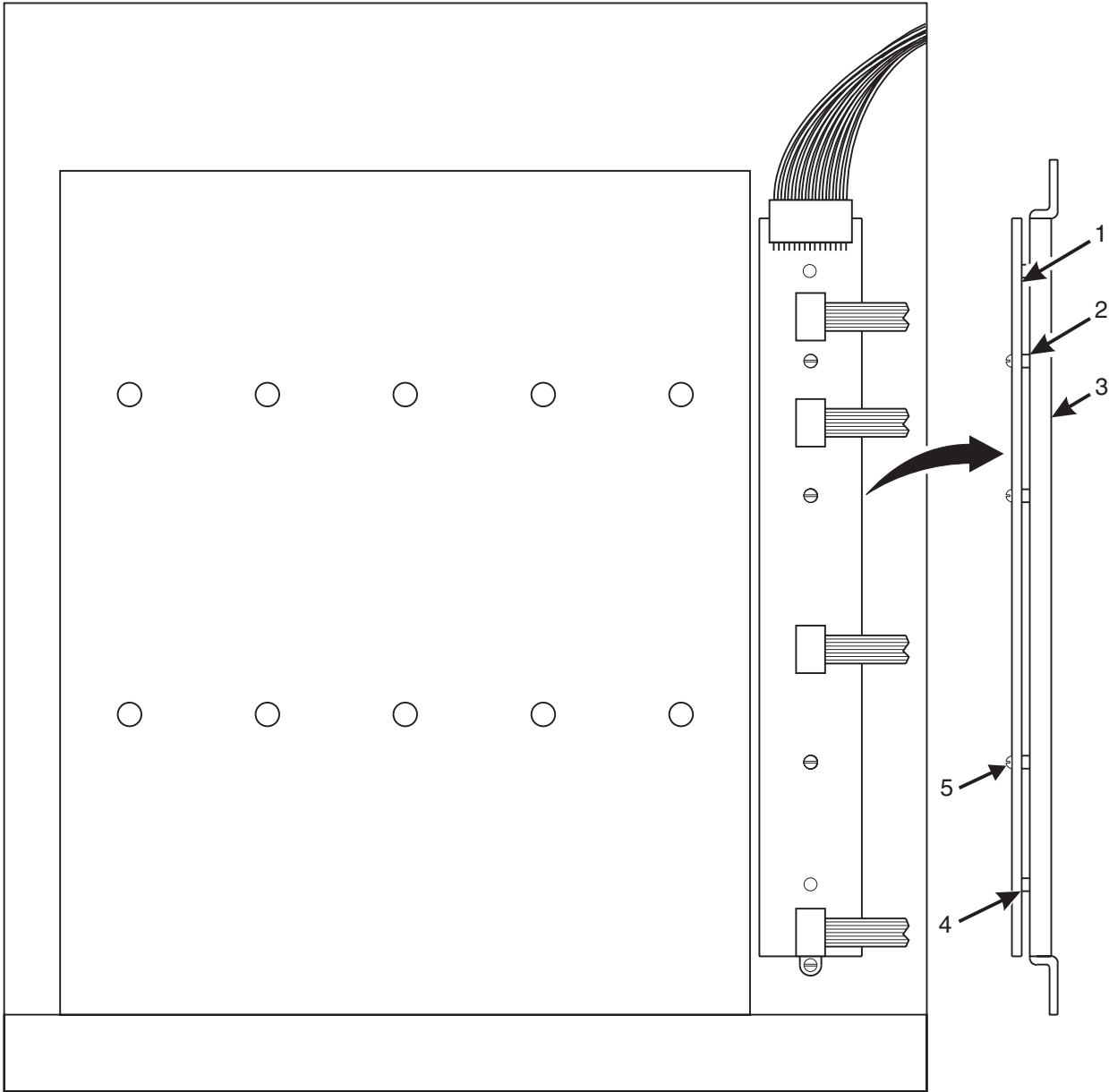
Figure 52. Refrigerated and Frozen Food Module - Interior View (Part 1 of 2)

## Refreshment Center 3 Parts Manual

**TABLE 52. REFRIGERATED AND FROZEN FOOD MODULE - INTERIOR VIEW (PART 1 OF 2)**

INDEX	PART NUMBER	DESCRIPTION	QTY.
1	4407021	RAIL AND ROLLER ASSEMBLY - R.H.	3
-	4402038	SCREW	3
2	4119013	PROBE - TEMPERATURE SENSOR	1
3	2342315	CLIP - WIRE HARNESS	3
-	4402038	SCREW	3
4	4407016	WIRE COVER - 6138236 - .208 ID X .88	6
-	4402037	SCREW	6
-	6104424	NUT	6
5	4407009	JUMPER - CHANNEL PCB - FOOD MODULE	1
6	4402020	FLAT CABLE ASSEMBLY	3
7	4407156	KEEPER - HARNESS	3
-	4402038	SCREW	3
8	4407014	RECTANGULAR CLOSURE	3
9	4407017	RAIL AND ROLLER ASSEMBLY - L.H.	3
-	4402038	SCREW	3

TOP



CABINET INTERIOR BACK VIEW

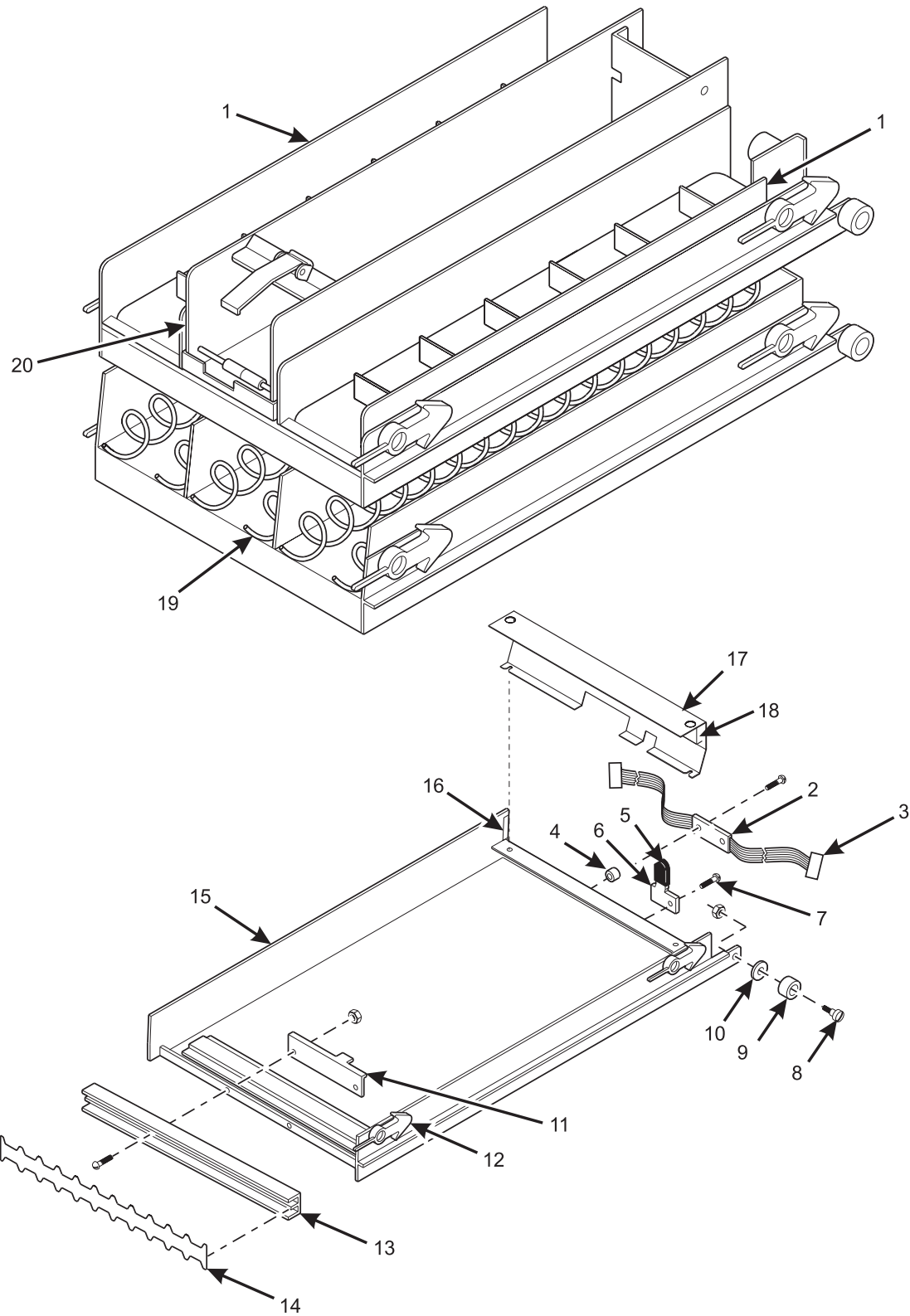
157P0197

Figure 53. Refrigerated and Frozen Food Module - Interior View (Part 2 of 2)

# Refreshment Center 3 Parts Manual

**TABLE 53. REFRIGERATED AND FROZEN FOOD MODULE - INTERIOR VIEW (PART 2 OF 2)**

<b>INDEX</b>	<b>PART NUMBER</b>	<b>DESCRIPTION</b>	<b>QTY.</b>
1	4401000	PCB ASSEMBLY - CHANNEL - FOOD MOD	1
2	4407025	SPACER	3
3	4407146	BRACKET - P.C. BOARD (PAINTED)	1
4	4407024	SUPPORT - CIR. BD. MINIATURE	2
5	6107240	SPACER	3



785P0005

Figure 54. General Tray Assemblies - Refrigerated and Frozen Food Module



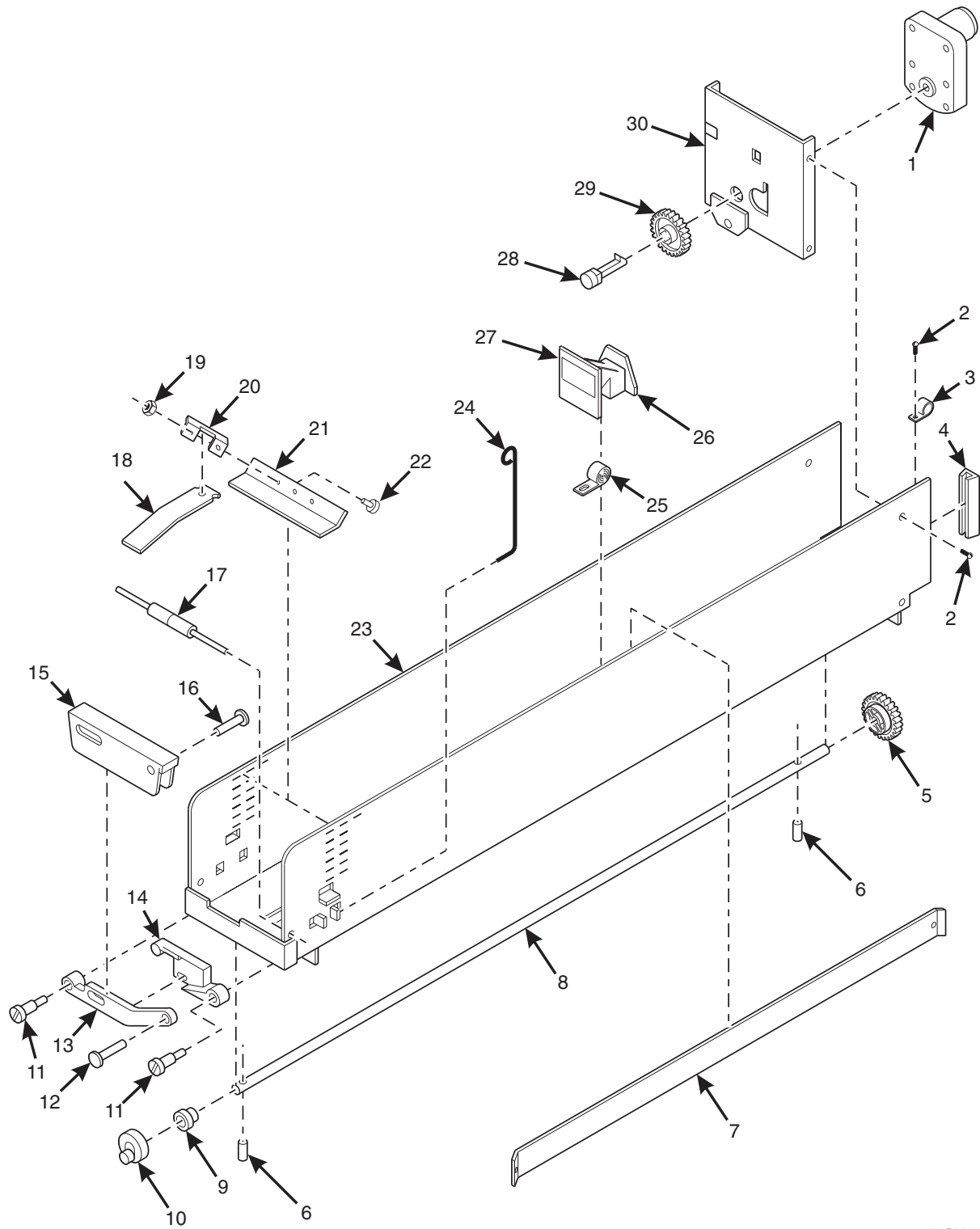
# Refreshment Center 3 Parts Manual

**NOTE**

*Tray assemblies can be configured several different ways: All spirals, all belts, or 2 belts and 1 pusher. This table represents parts common to all trays including the modules needed to configure trays for spirals, belts or pushers*

**TABLE 54. GENERAL TRAY ASSEMBLIES - REFRIGERATED AND FROZEN FOOD MODULE**

INDEX	PART NUMBER	DESCRIPTION	QTY.
1	4407600	BELT MODULE ASSEMBLY (SEE FIGURE 56 FOR DETAILS)	OPT
2	4402008	PCB ASSEMBLY - TRAY - FOOD MODULE	1
3	4407501	HARNESS - 6 MOTOR - FOOD MODULE	1
4	4407025	SPACER - .38 OCX .14IDX .187L	2
5	4407114	RETANGULAR CLOSURE	1
6	4407516	RETAINER - HARNESS	1
7	4402046	NUT #1/4 - 20 SELF LOCKING - SS	2
8	4407514	STUD - TRAY ROLLER	2
9	4407019	ROLLER - TRAY	2
10	4402041	WASHER - 5/8 X 9/32 X 1/16 - SS	2
11	4407845	RETAINER - SPIRAL MODULE (USED WITH INDEX #19 ONLY)	1
12	1477017	LATCH	4
13	4407503	RAIL - PRICE & SELECTION	1
14	4407504	HOLDER - PRICE & SELECTION	1
15	4402034	TRAY WELD ASSEMBLY (PAINTED)	1
16	4407502	GROMMET - 3156015 - 2.0 LG.	1
17	4844035	COVER - TRAY MOTORS (USED WITH SPIRAL MODULE ONLY)	1
18	4844032	SEAL - MOTOR SHIELD (USED WITH SPIRAL MODULE ONLY)	1
19	4407800	SPIRAL MODULE ASSEMBLY - 3 SELECT (SEE FIGURE 57 FOR DETAILS)	OPT
20	4407700	PUSHER MODULE ASSEMBLY (SEE FIGURE 55 FOR DETAILS)	OPT
-	5201267	PUSH ON RETAINER .312	4



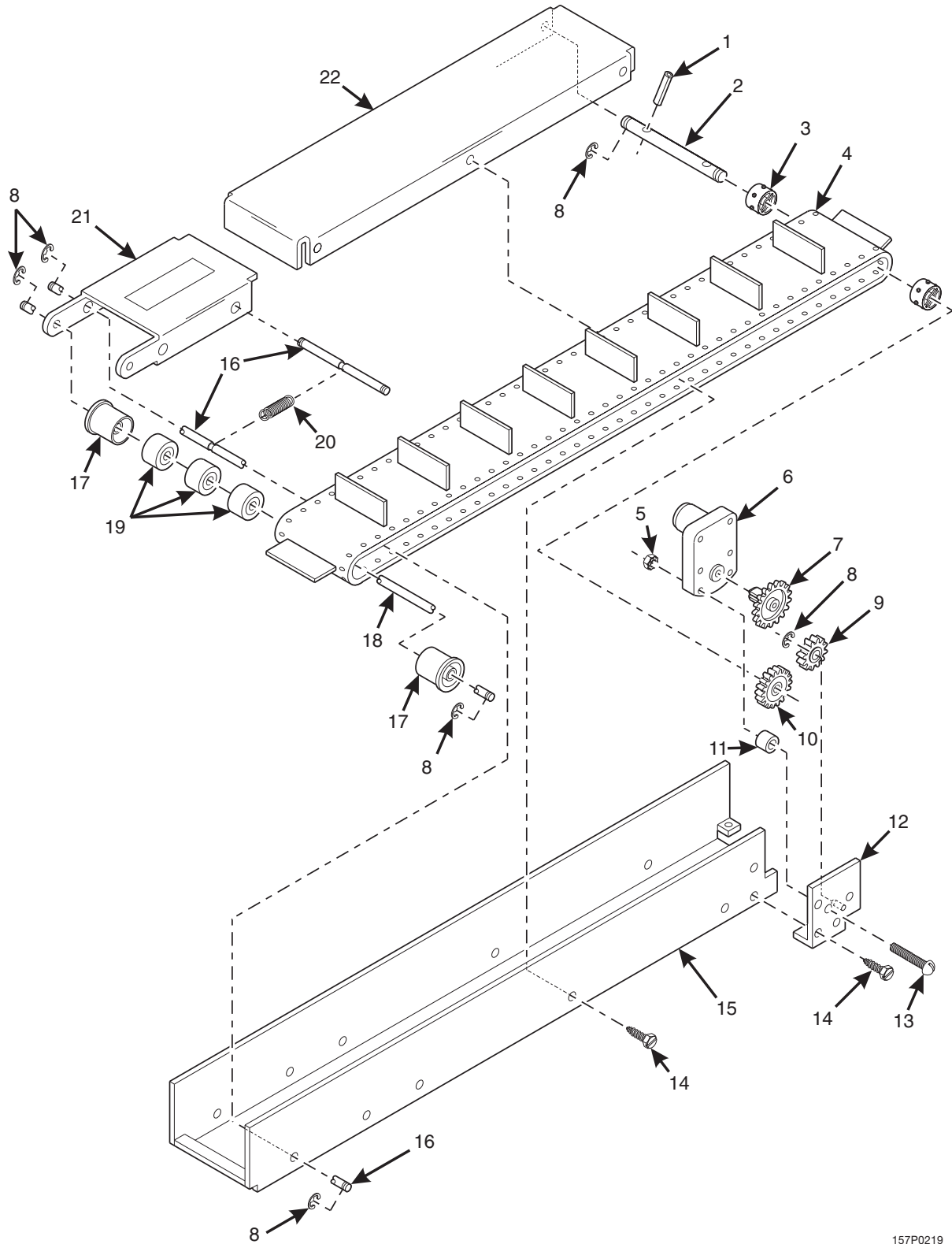
157P0217

Figure 55. Pusher Module Assembly

# Refreshment Center 3 Parts Manual

**TABLE 55. PUSHER MODULE ASSEMBLY**

INDEX	PART NUMBER	DESCRIPTION	QTY.
-	4407700	PUSHER MODULE ASSEMBLY	-
1	4744555	MOTOR & PCB ASSEMBLY	1
2	4402038	SCREW #8-15 X .38 STAINLESS	5
3	2342315	CLIP - WIRE HARNESS	1
4	4407502	GROMMET - 3156015 - 2.0 LONG	2
5	4407710	GEAR - EJECTOR SHAFT	1
6	5220463	ROLL PIN .093 X 7/16	2
7	4402213	SPACER - PRODUCT	1
8	4407742	SHAFT - EJECTOR	1
9	4407722	BUSHING - EJECTOR SHAFT	1
10	4407708	CAM - EJECTOR	1
11	4407739	STUD - EJECTOR - PUSHER	2
12	4407740	STUD - EJECTOR - BRACKET - LEFT	1
13	4407716	ARM - EJECTOR - LEFT	1
14	4407717	ARM - EJECTOR - RIGHT	1
15	4407735	BRACKET - EJECTOR	1
16	4407741	STUD - EJECTOR BRACKET - RIGHT	1
17	4407729	ROLLER & SHAFT ASSEMBLY - PUSHER (CONTAINS THE NEXT 3 ITEMS)	1
17	4407731	SHAFT - PUSHER MODULE	1
17	4407730	ROLLER - PUSHER MODULE	2
17	2366055	SPEED CLIP COMPRESSION RING	2
18	4407736	STOP - PACKAGE	1
19	6104429	KEPS NUT #6-32 S.S. EXT LW	2
20	4407737	KEEPER - STOP	1
21	4407738	GUIDE - PACKAGE	1
22	4402039	SCREW #6-32 X 1/4 RHS - S.S.	2
23	4402212	FRAME ASSEMBLY - PUSHER	1
24	4407707	RETAINER - GUIDE	2
25	4407713	SPRING - PUSHER	1
26	4407728	LABEL - SOLD OUT	1
27	4407714	PUSHER - PRODUCT	1
28	4407712	COUPLING - MOTOR	1
29	4407711	GEAR - DRIVE - PUSHER	1
30	4407734	BRACKET & MOTOR PANEL ASSEMBLY	1



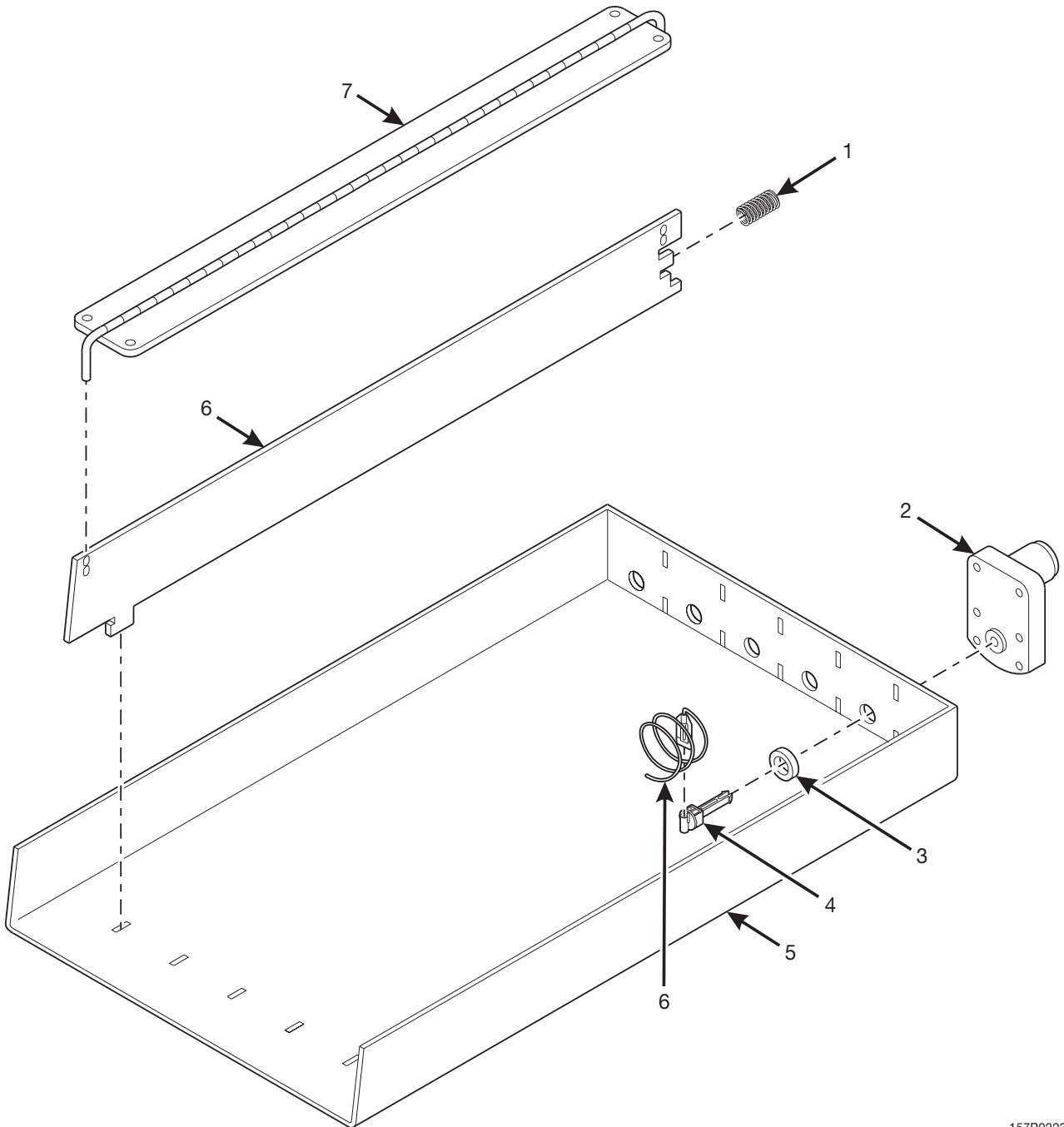
157P0219

Figure 56. Belt Module Assembly

# Refreshment Center 3 Parts Manual

**TABLE 56. BELT MODULE ASSEMBLY**

INDEX	PART NUMBER	DESCRIPTION	QTY.
-	4407600	BELT MODULE ASSEMBLY	-
1	6104219	ROLL PIN	2
2	4407634	SHAFT - DRIVE SPROCKET	1
3	4407619	SPROCKET - DRIVE	2
4	4407604	BELT - CONVEYOR	1
5	4402043	NUT #8-32 W/L.W. - S.S.	2
6	4744555	MOTOR & PCB ASSEMBLY	1
7	4407615	GEAR - DRIVE MOTOR	1
8	3103029	WALDES TRUARC RING	9
9	4407616	GEAR - IDLER - BELT MODULE	1
10	4407618	GEAR - BELT DRIVE	1
11	4407617	SPACER - MOTOR	2
12	4407622	BRACKET & STUD ASSEMBLY	1
13	4402036	SCREW #8-32 X 1 3/8 RHS - SS.	2
14	4402038	SCREW #8-15 X .38 STAINLESS	9
15	4407628	FRAME ASSEMBLY - BELT MODULE	1
16	4407632	SHAFT - BELT ADJUSTOR	2
17	4407611	ROLLER - BELT - OUTSIDE	2
18	4407633	SHAFT - BELT - FRONT	1
19	4407612	ROLLER - BELT - INSIDE	3
20	4407607	SPRING - BELT TENSION	1
21	4407630	SUPPORT - BELT - FRONT	1
22	4407629	SUPPORT - BELT - REAR	1



157P0223

Figure 57. Spiral Module Assembly

# Refreshment Center 3 Parts Manual

**TABLE 57. SPIRAL MODULE ASSEMBLY**

INDEX	PART NUMBER	DESCRIPTION	QTY.
1	4407808	SPRING - DIVIDER	2
2	4744555	MOTOR & PCB ASSEMBLY	6
3	4407803	SPACER - MOTOR	6
4	1477113	COUPLING - SPIRAL	6
5	4407842	FRAME ASSEMBLY - SPIRAL MODULE	1
6	4407844	DIVIDER - SPIRAL MODULE	2
7	4407843	SPACER - ADJUSTABLE	1

**TABLE 58. SPIRAL OPTIONS (FOR REFRIGERATED / FROZEN FOOD TRAYS)**

SPIRAL COUNT	RETAINER COLOR	RETAINER	LEFT HAND		RIGHT HAND	
			ASSEMBLY	SPIRAL	ASSEMBLY	SPIRAL
5	TAN	4407817	4407815	4407816	4407818	4407819
6	DK. GREEN	4407822	4407820	4407821	4407823	4407824
7	MAUVE	4407827	4407825	4407826	4407828	4407829
9	AQUA	4407833	4407830	4407832	4407834	4407835
12	BLACK	1477073	4407837	4407838	4407839	4407840

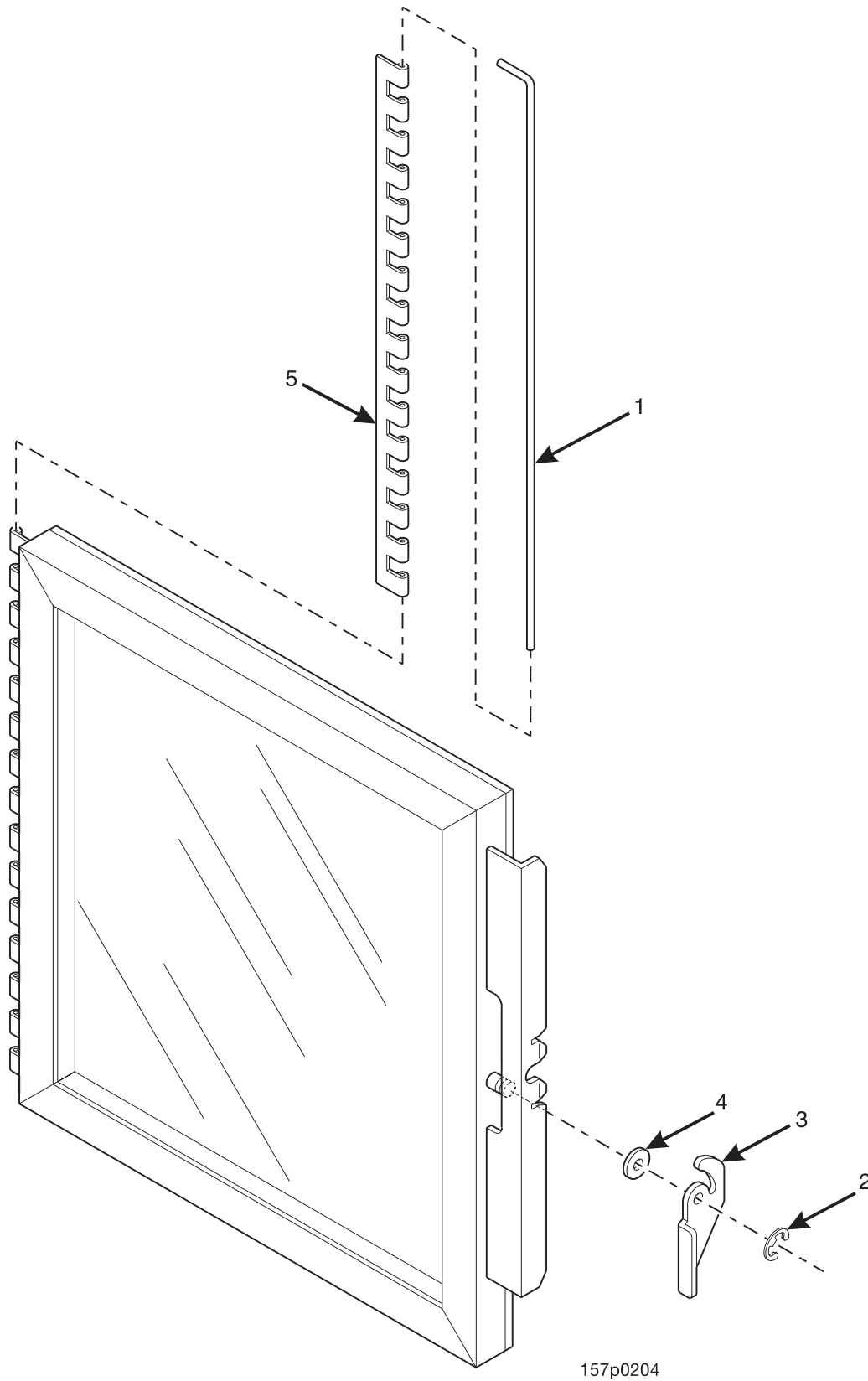


Figure 59. Door Assembly - Refrigerated Food Module



# Refreshment Center 3 Parts Manual

**TABLE 59. DOOR ASSEMBLY - REFRIGERATED FOOD MODULE**

<b>INDEX</b>	<b>PART NUMBER</b>	<b>DESCRIPTION</b>	<b>QTY.</b>
-	4407115	DOOR ASSEMBLY REFRIGERATED FOOD MODULE	-
1	4407120	PIN - HINGE	1
2	-	DOOR (NOT AVAILABLE SEPARATELY)	1
3	9900425	RETAINING RING REINF. E TYP. 250	1
4	4407160	LEVER - LATCH	1
5	5220113	SPRING WASHER .500 X .254 X .006	1
6	4407132	HINGE - FOOD MODULE DOOR	1

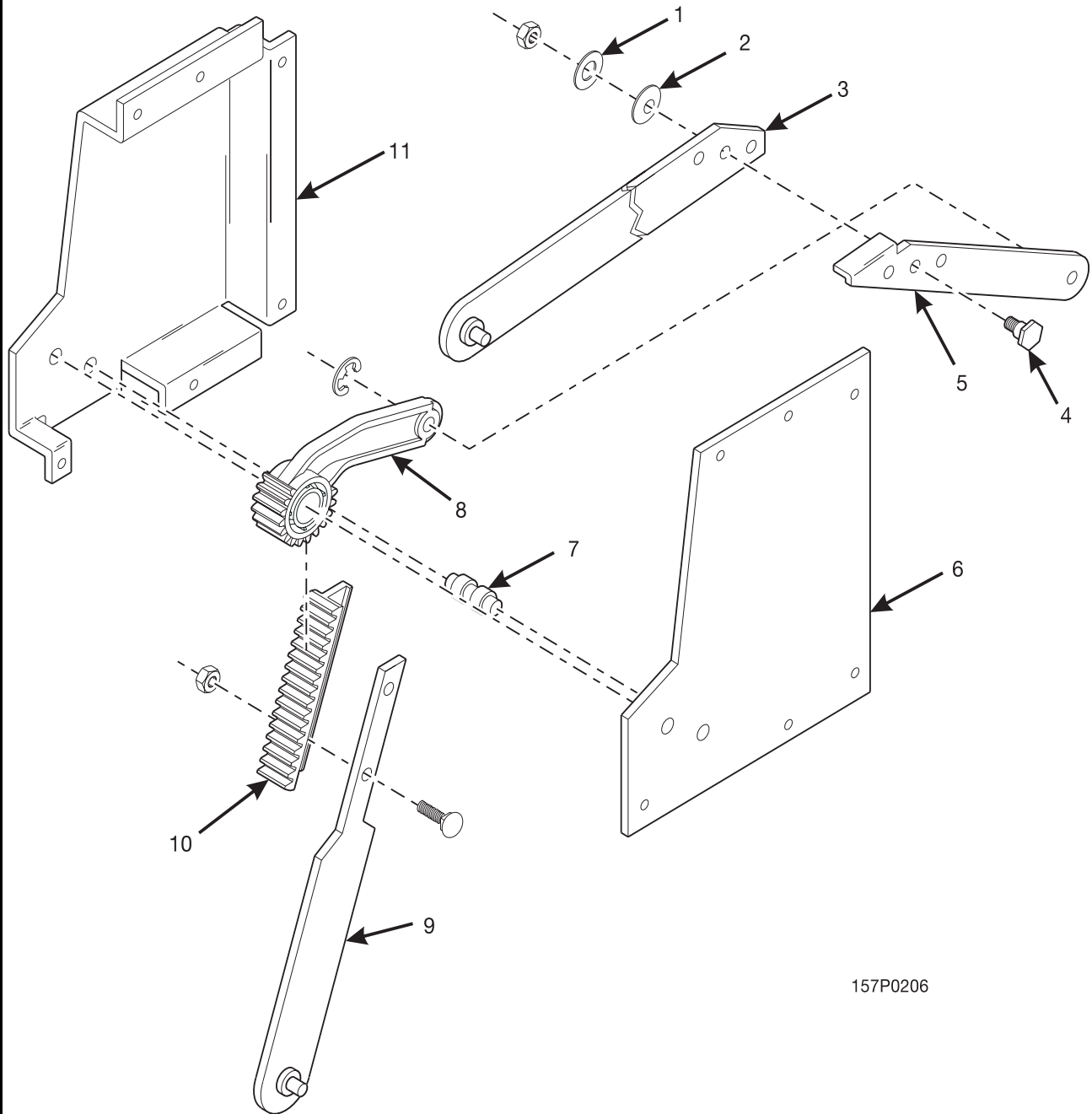
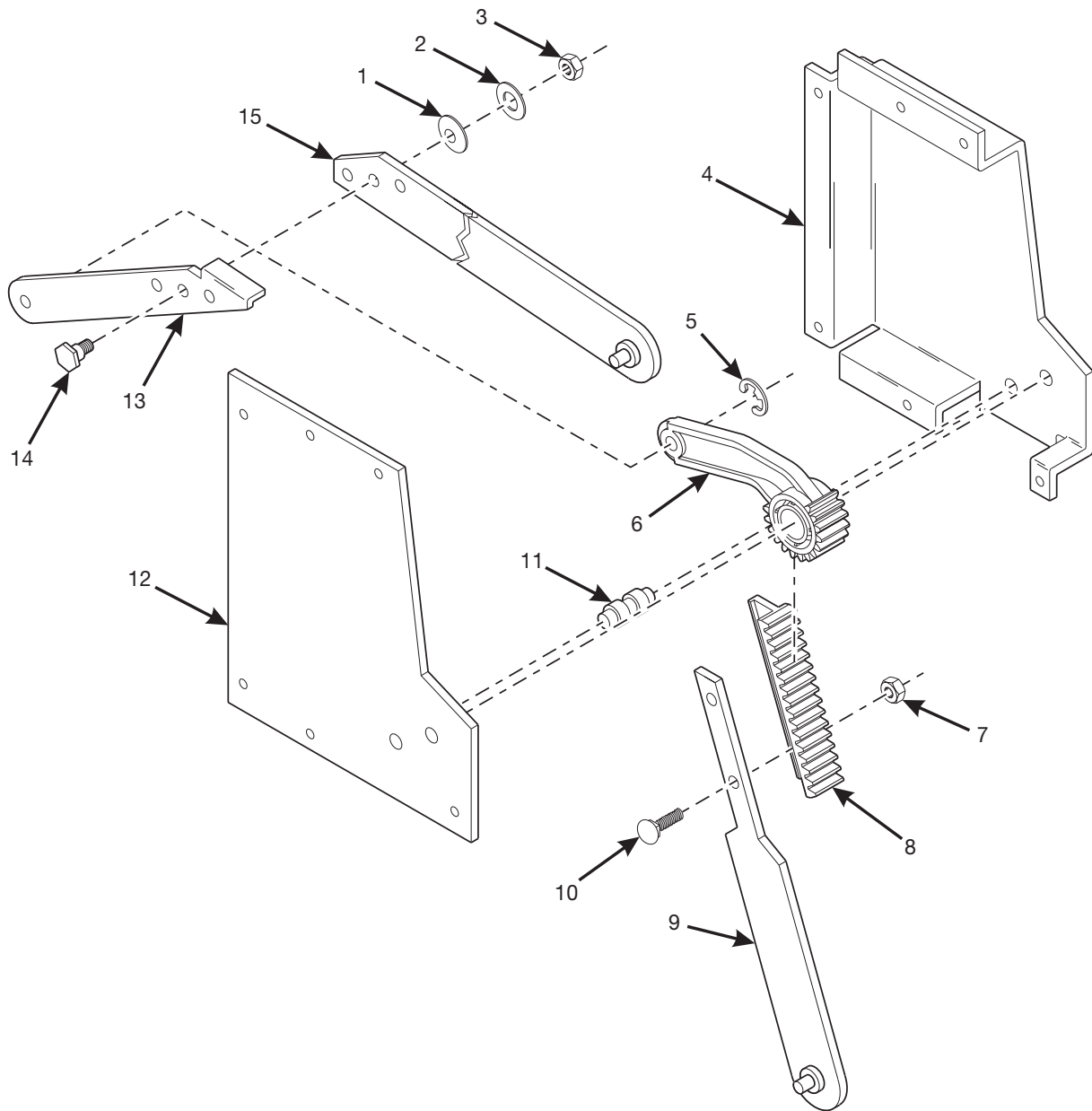


Figure 60. Left Hand Drive Arm Assembly

**TABLE 60. LEFT HAND DRIVE ARM ASSEMBLY**

INDEX	PART NUMBER	DESCRIPTION	QTY.
-	4407069	DRIVE ARM ASSEMBLY - R.H.	1
1	2202109	SPRING WASHER	1
2	5202012	SPACER EXTENSION BAR	1
3	1412046	8-32 NUT MF 23TW832 BLOX	1
4	4407134	COVER - TOGGLE - R.H.	1
5	9900425	RETIANING RING REINF E TYP. 250	1
6	4975011	ARM - TOGGLE	1
7	9900072	NUT #8-32 SELF-LOCKING	2
8	4407066	RACK - DRIVE	1
9	4407067	DRIVE RACK ARM ASSEMBLY	1
10	1306140	8-32 X 3/8 CARRIAGE BOLT BLK/OX	2
11	4407055	ROLLER - DRIVE RACK	1
12	4407070	PLATE - TOGGLE - R.H.	1
13	4407074	FRAME DRIVE ARM ASSEMBLY	1
14	4407058	PIVOT - FRAME DRIVE ARM	1
15	4407139	ARM - LONG - DOOR FRAME - R.H. - PAINTED	1



157P0207

Figure 61. Right Hand Drive Arm Assembly

# Refreshment Center 3 Parts Manual

**TABLE 61. RIGHT HAND DRIVE ARM ASSEMBLY**

INDEX	PART NUMBER	DESCRIPTION	QTY.
-	4407069	DRIVE ARM ASSEMBLY - R.H.	1
1	2202109	SPRING WASHER	1
2	5202012	SPACER EXTENSION BAR	1
3	1412046	8-32 NUT MF 23TW832 BLOX	1
4	4407134	COVER - TOGGLE - R.H.	1
5	9900425	RETIANING RING REINF E TYP. 250	1
6	4975011	ARM - TOGGLE	1
7	9900072	NUT #8-32 SELF-LOCKING	2
8	4407066	RACK - DRIVE	1
9	4407067	DRIVE RACK ARM ASSEMBLY	1
10	1306140	8-32 X 3/8 CARRIAGE BOLT BLK/OX	2
11	4407055	ROLLER - DRIVE RACK	1
12	4407070	PLATE - TOGGLE - R.H.	1
13	4407074	FRAME DRIVE ARM ASSEMBLY	1
14	4407058	PIVOT - FRAME DRIVE ARM	1
15	4407139	ARM - LONG - DOOR FRAME - R.H. - PAINTED	1

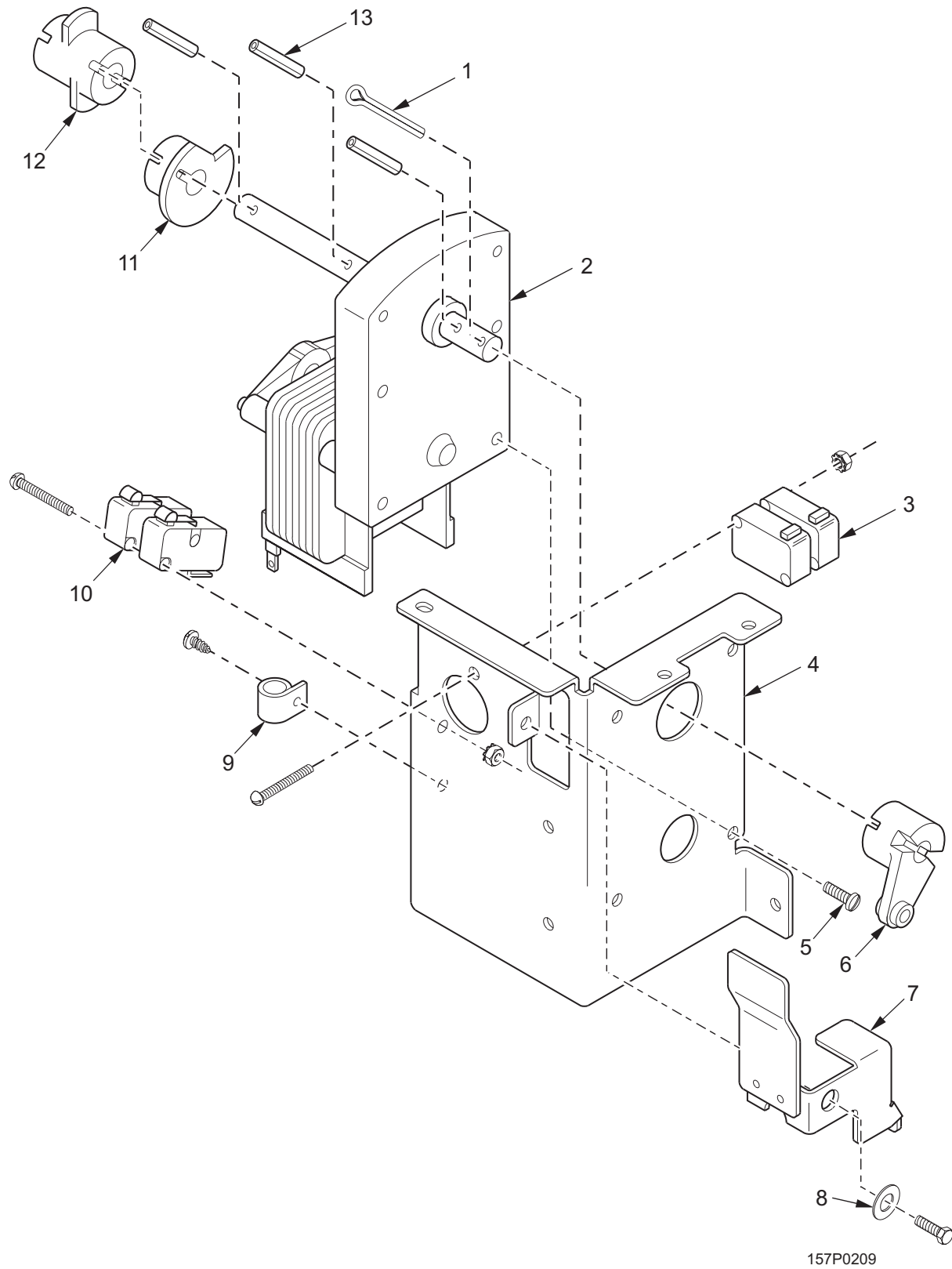


Figure 62. Motor Mounting Bracket Assembly

## Refreshment Center 3 Parts Manual

**TABLE 62. MOTOR MOUNTING BRACKET ASSEMBLY**

INDEX	PART NUMBER	DESCRIPTION	QTY.
-	4407077	MOTOR MOUNTING BRACKET ASSEMBLY - 110V	1
-	4847017	MOTOR MOUNTING BRACKET ASSEMBLY - 230V	1
1	9900098	COTTER PIN - 3/32 X 3/4 IN.	1
2	4407157	MOTOR - FOOD MODULE (110V)	1
2	4847003	MOTOR - FOOD MODULE (230V)	1
3	1217159	4-40 KEPS W/EXT L/WAS H ZP	4
4	9984632	SWITCH - BASIC	2
5	4407131	MOUNTING BRACKET - MOTOR	1
6	9900023	SCREW - #8-32 X .37 PHS W/LW	4
7	4407079	ARM - DRIVE	1
8	4407084	ACTUATOR ASSEMBLY - H.C. SWITCH	1
9	1451097	SCREW - #8-32 X .31 HEX HD. TF - BLK	2
10	2228011	SPACER RELEASE ARM	1
11	5201086	SCREW #4-40 X 1 RHS	4
12	1452139	RETAINER - HARNESS	1
13	9984634	SWITCH ROLLER LEVER	2
14	4407093	CAM - H.C. SWITCH OVERRIDE	1
15	4407080	COUPLING - MOTOR & DRIVE SHAFT	1
16	3127034	ROLL PIN 1/8 X 13/16	3

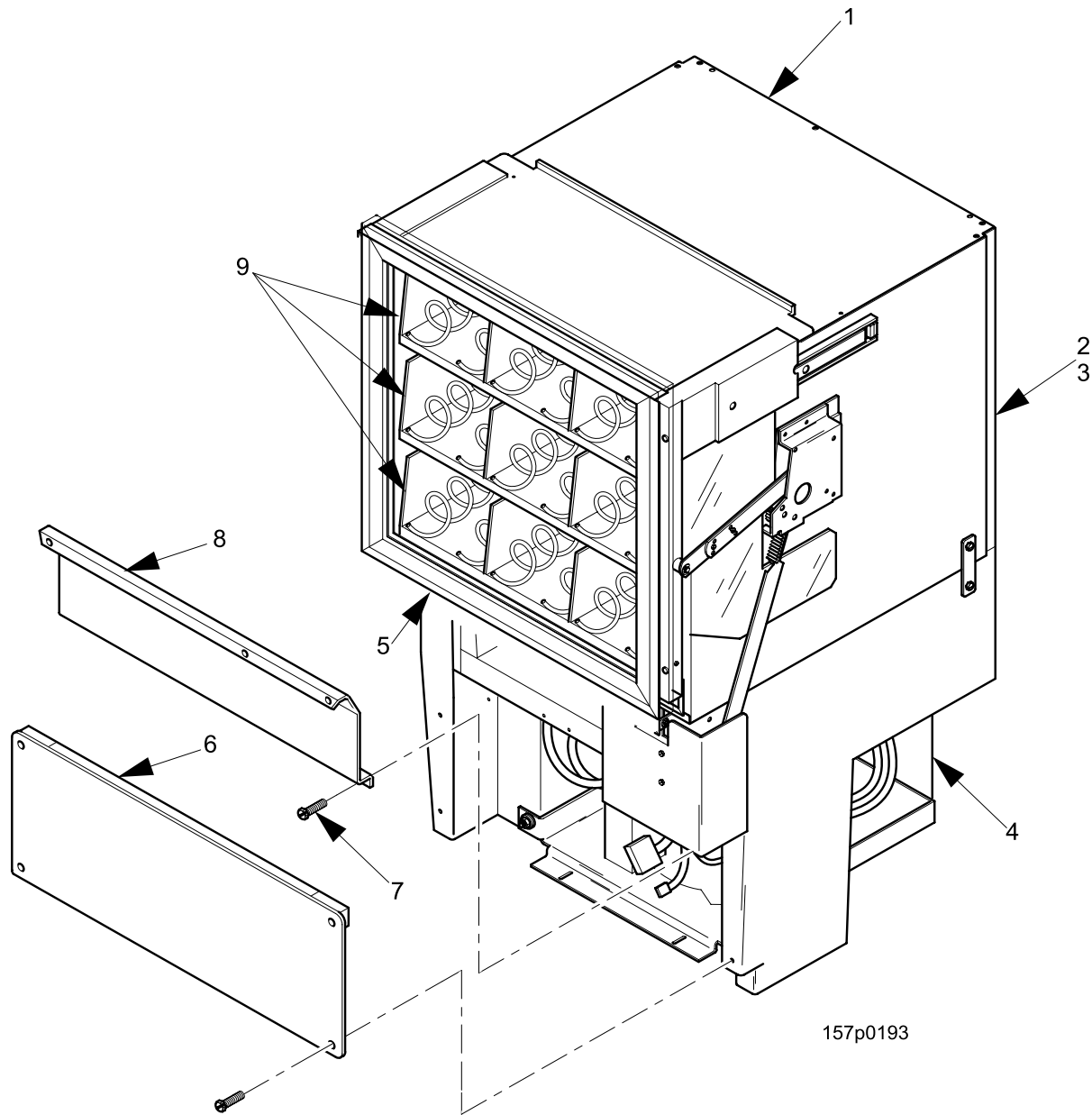


Figure 63. Frozen Food Module and Housing Assembly



## Refreshment Center 3 Parts Manual

**TABLE 63. FROZEN FOOD MODULE AND HOUSING ASSEMBLY**

INDEX	PART NUMBER	DESCRIPTION	QTY.
1	4847005	REFRIGERATED FOOD MODULE ASSEMBLY - 110V	1
1	4847018	REFRIGERATED FOOD MODULE ASSEMBLY - 220V	1
2	4404013	GASKET - REFRIGERATED MODULE - OUTSIDE	1
3	4744017	GASKET - REFRIGERATED MODULE	1
4	7844008	REFRIGERATION MODULE ASSEMBLY - 110V	1
	4874007	REFRIGERATION MODULE ASSEMBLY - DANFOSS (230V)	
5	4744027	DOOR - REFRIGERATION MODULE	1
6	4851075	COVER & SEAL ASSEMBLY - COMPRESSOR (MODEL 785, 786)	1
6	4881038	COVER & SEAL ASSEMBLY - COMPRESSOR (MODEL 788, 789)	1
7	4727144	SCREW - #8-18X.62 HEX HEAD	6
8	4744042	DOOR - RETAINER	1
9	-	TRAY ASSEMBLIES (SEE FIGURE 54 FOR DETAILS)	3

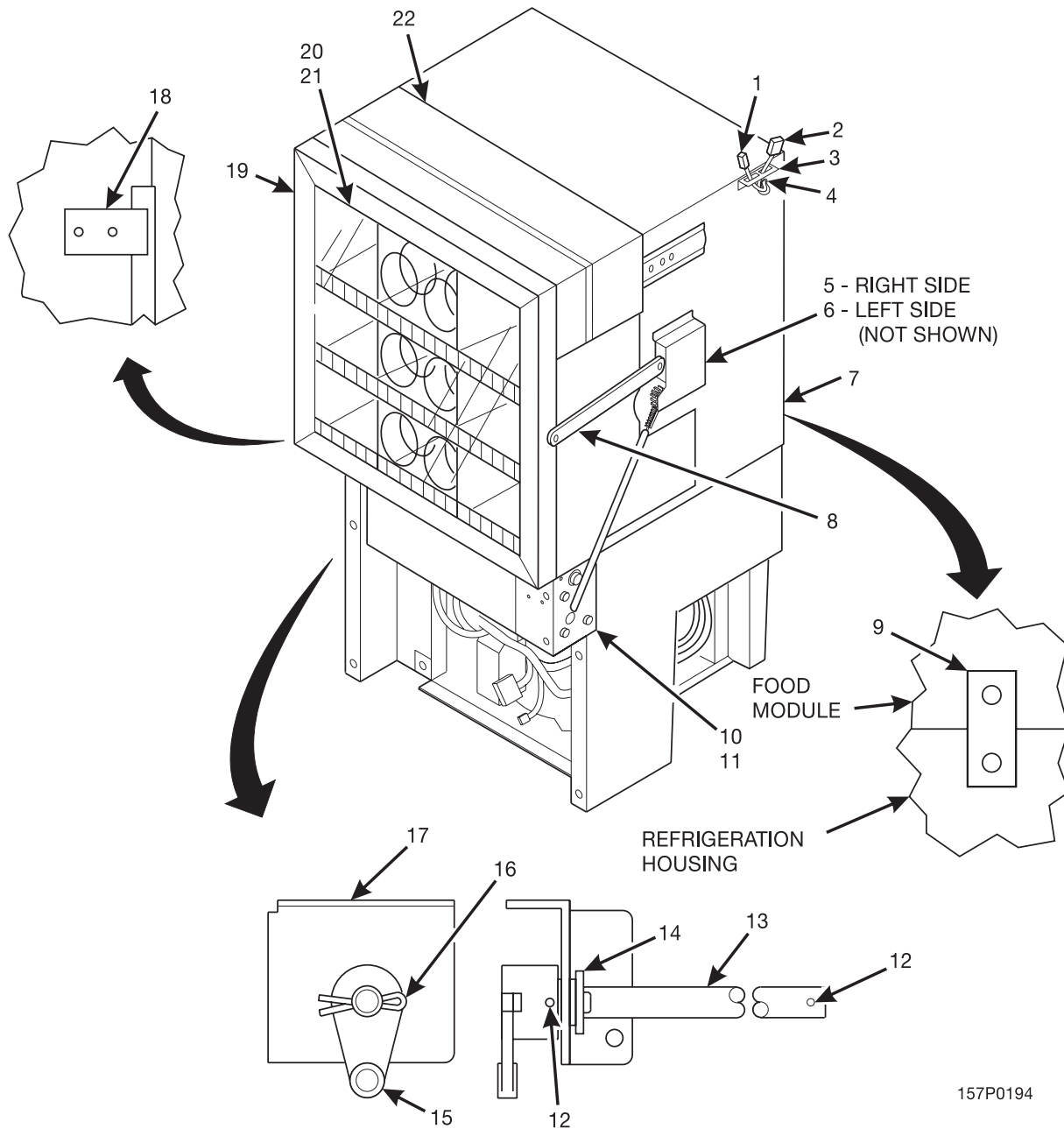
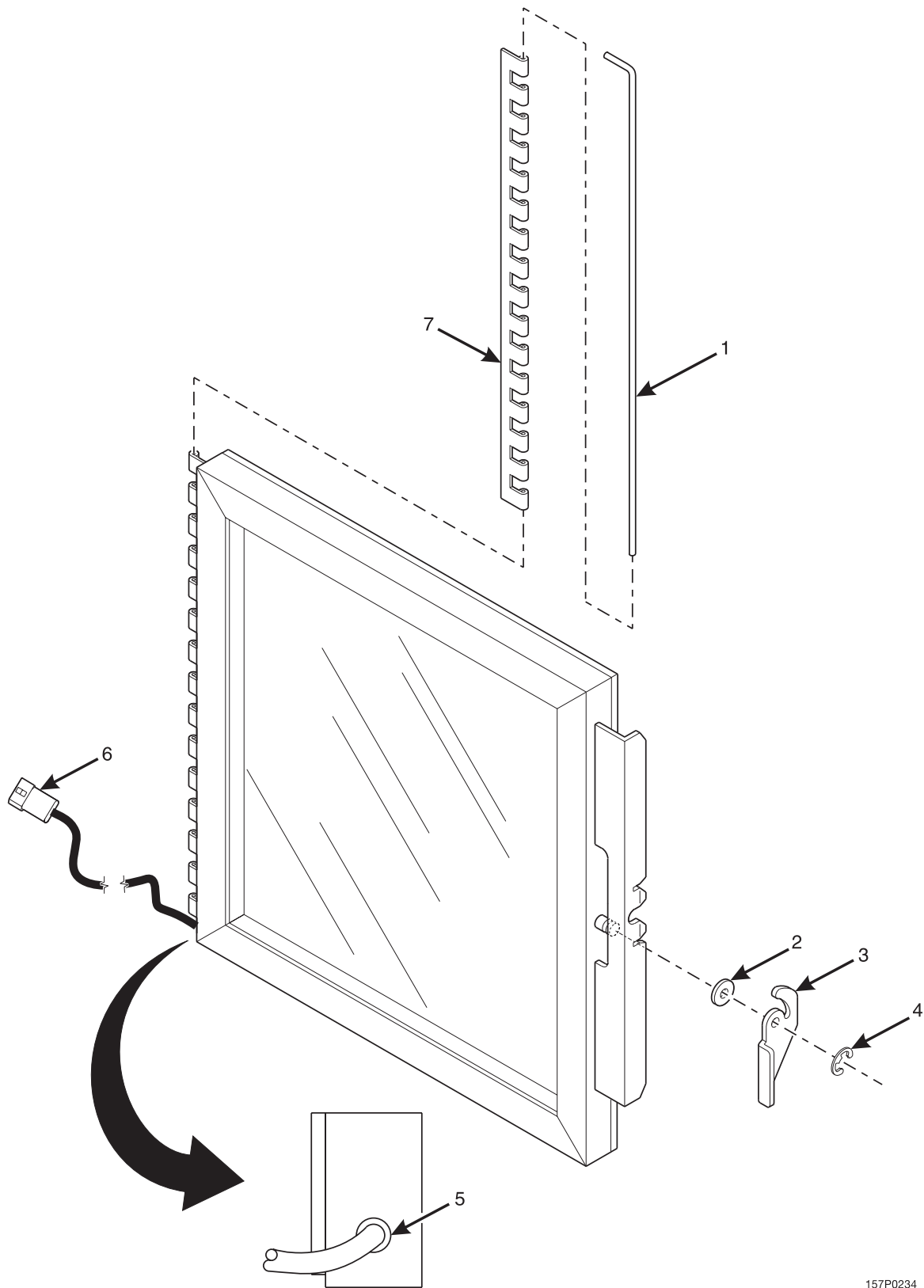


Figure 64. Major Components - Frozen Food Module

# Refreshment Center 3 Parts Manual

**TABLE 64. MAJOR COMPONENTS - FROZEN FOOD MODULE**

INDEX	PART NUMBER	DESCRIPTION	QTY.
1	4119013	PROBE - TEMPERATURE SENSOR	1?
2	4407009	JUMPER - CHANNEL PCB - FOOD MODULE	1
3	4407002	BRACKET - CABLE PLUG	1
-	4721035	SCREW - #8-18 X .38 - LGM	2
4	3502097	BUSHING #OCB - 500	1
5	4407069	DRIVE ARM ASSEMBLY - R.H. (SEE FIGURE 61 FOR DETAILS)	1
-	9900425	RETAINING RING REINF. E TYP. 250	1
-	1451097	SCREW - 8-32 X .31 HEX HD. TF - BLK	5
6	4407052	DRIVE ARM ASSEMBLY - L.H. (SEE FIGURE 60 FOR DETAILS)	1
-	9900425	RETAINING RING REINF. E TYP. 250	-
-	1451097	SCREW - 8-32 X .31 HEX HD. TF - BLK	-
7	4747710	HOUSING - LINER ASSEMBLY - FRZN FOOD	1
8	9900431	RETAINING RING REINF. E TYP. 312	1
9	4747062	MOUNTING STRAP - CAN MODULE	2
-	4721035	SCREW - #8-18 X .38 - LGM	-
-	4727144	SCREW - #818 X .62 HEX HEAD	-
10	4407077	MOTOR MOUNTING BRACKET ASSEMBLY (110V) (SEE FIGURE 62 FOR DETAILS)	1
10	4847017	MOTOR MOUNTING BRACKET ASSEMBLY (230V) (SEE FIGURE 62 FOR DETAILS)	1
11	4747725	COVER - MOTOR ASSEMBLY	1
-	1451097	SCREW - #8-32 X .31 HEX HD. TF - BLK	5
-	4407086	DRIVE SHAFT ASSEMBLY (INCLUDES INDEX NUMBERS 12 - 17)	1
12	3127034	ROLL PIN 1/8 X 13/16	2
13	4407087	SHAFT - DRIVE	1
14	4047012	SHOULDER BUSHING	1
15	4407079	ARM - DRIVE	1
16	9900098	COTTER PIN 3/32 X 3/4 IN.	2
17	4407088	BRACKET - DRIVE SHAFT	1
18	4844027	GUIDE - DOOR FRAME SUPPORT	1
-	4721035	SCREW	2
-	4727144	SCREW	2
19	4407115	DOOR ASSEMBLY - FROZEN FOOD MODULE (SEE FIGURE 65 FOR DETAILS)	1
-	5500026	SCREW - 8-32 X 3/8 PHS T/F	-
20	4741223	DECAL - COLD/FROZEN FOOD	1
21	4612001	DECAL - "CHILLED FOR FRESHNESS"	1
22	4747716	DOOR FRAME ASSEMBLY (SEE FIGURE 51 FOR DETAILS)	1
-	5500026	SCREW - 8-32 X 3/8 PHS T/F	1



157P0234

Figure 65. Door Assembly - Frozen Food Module

# Refreshment Center 3 Parts Manual

**TABLE 65. DOOR ASSEMBLY - FROZEN FOOD MODULE**

INDEX	PART NUMBER	DESCRIPTION	QTY.
-	4747704	DOOR ASSEMBLY FROZEN FOOD MODULE (110V)	-
-	4877005	DOOR ASSEMBLY FROZEN FOOD MODULE (220V)	-
1	4407120	PIN - HINGE	1
2	-	DOOR (NOT AVAILABLE SEPARATELY)	1
3	5220113	SPRING WASHER .500 X .254 X .006	1
4	4407160	LEVER - LATCH	1
5	9900425	RETAINING RING REINF E TYP. 250	1
6	4747718	HEYCO - .281 ID X .250 LG.	1
7	1271057	PLUG 2 CIRCUIT #03-09-2022	1
8	4407132	HINGE - FOOD MODULE DOOR	1

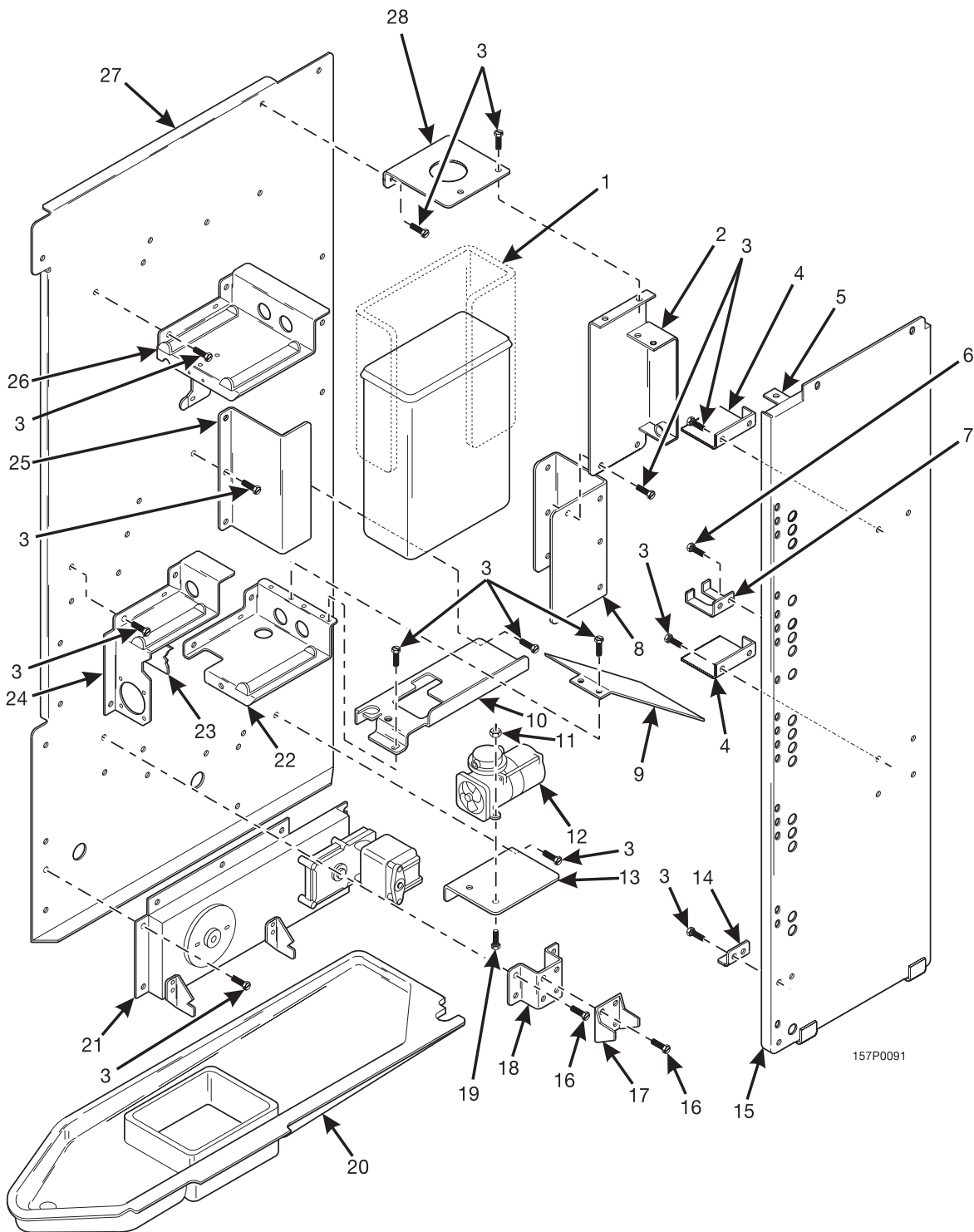
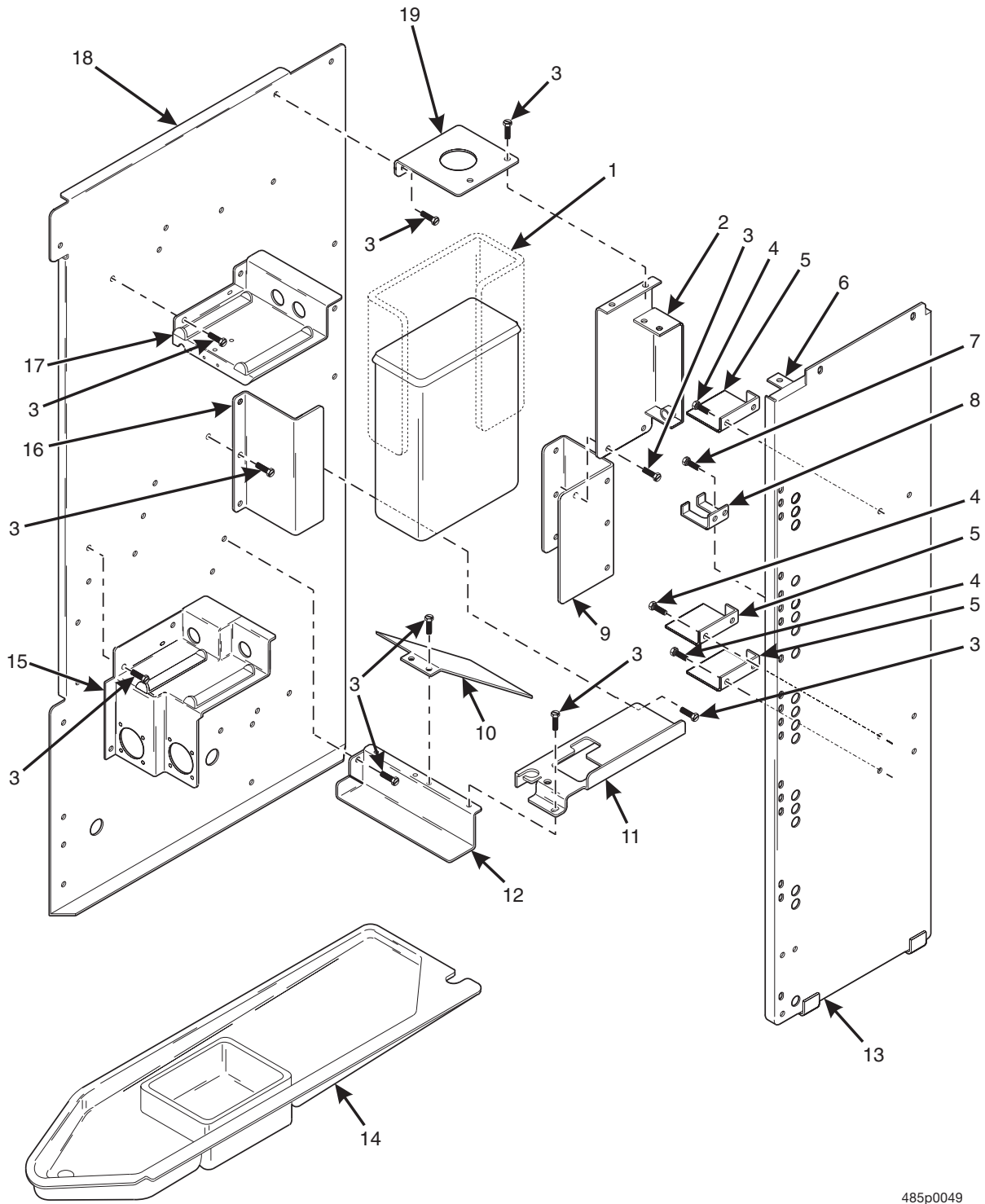


Figure 66. Hot Drink Module (Models 785 and 788)

# Refreshment Center 3 Parts Manual

**TABLE 66. HOT DRINK MODULE (MODELS 785 AND 788)**

INDEX	PART NUMBER	DESCRIPTION	QTY.
1	4731078	INSULATION-WATER TANK	1
2	4711007	COUPLING & BRACKET ASSEMBLY (SEE FIGURE 94 FOR DETAILS)	REF
3	3157060	SCREW-#8-32 X .31 HEX W/ HD. SLOTTED-T/F-ZINC PL	52
4	4731017	SUPPORT-SHELVES	2
5	4751071	ANGLE-SUPPORT-LINER	1
-	1451097	SCREW-#8-32X.31 HEX HD.TF-BLK.	10
6	9900106	SCREW #8-32 X 3/8 ACORN HEX HD S/TA	2
7	6111056	BRACKET SPRAY HOSE MOUNTING (OPTIONAL)	1
8	4731120	RETAINER-TANK-REAR	1
9	4731077	SHIELD-WATER	1
10	4751021	SHELF-WATER TANK	1
11	9900081	NUT - #8-32 KEPS - ZINC PLATE	2
12	6154280	COMPRESSOR ASSEMBLY - AIR	1
13	4731074	BRACKET - COMPRESSOR	1
14	4751072	BRACKET-LATCH	1
15	4851069	LINER ASSEMBLY-L.H.-FD	1
16	1141046	SCREW #10-32 X 3/8, ACORN, HEX W/HD	3
17	6504209	HANGER - BREWER	1
18	4731080	BRACKET - BREWER HANGER	1
19	9900115	SCREW - #8-32 X 3/4 RHS	2
20	4781005	TRAY-CENTER PAN	1
21	4731282	DRIVE ASSEMBLY - BREWER (SEE FIGURE 82 FOR DETAILS)	1
22	4751033	SHELF ASSEMBLY - COFFEE (SEE FIGURE 68 FOR DETAILS)	1
23	4751073	BRACKET AND CONTROL ASSEMBLY	1
24	4751064	SHELF ASSEMBLY - CHOCOLATE (SEE FIGURE 70 FOR DETAILS)	1
25	4761095	RETAINER - TANK	1
26	-	DRY INGREDIENT SYSTEM (SEE FIGURE 75 FOR DETAILS)	-
27	4751264	PANEL-COFFEE MODULE	1
28	4731346	BLOWER & MOUNTING ASSEMBLY - 115 V (SEE FIGURE 81 FOR DETAILS)	1
	4851062	BLOWER AND MOUNTING ASSEMBLY - 230 V (SEE FIGURE 81 FOR DETAILS)	-
-	6204216	BREWER ASSEMBLY - NO FILTER (NOT SHOWN) (SEE FIGURE 83 FOR DETAILS)	1
-	4851067	LINER AND BRACKET ASSEMBLY - L.H. (NOT SHOWN) (INCLUDES INDEX NUMBERS 4, 5, 14, 15)	-
-	4731180	BRACKET AND HANGER ASSEMBLY (NOT SHOWN) (INCLUDES INDEX NUMBERS 16, 17, 18)	-



485p0049

Figure 67. Hot Drink Module (Models 786 and 789)



# Refreshment Center 3 Parts Manual

**TABLE 67. HOT DRINK MODULE (MODELS 786 AND 789)**

INDEX	PART NUMBER	DESCRIPTION	QTY.
1	4731078	INSULATION-WATER TANK	1
2	4711007	COUPLING & BRACKET ASSEMBLY (SEE FIGURE 93 FOR DETAILS)	REF
3	3157060	SCREW-#8-32 X .31 HEX W/ HD. SLOTTED-T/F-ZINC PL	-
4	1457097	SCREW-#8-32X.31 HEX HD.TF-BLK. (786 ONLY)	6
5	4731017	SUPPORT-SHELVES	3
6	4751071	ANGLE-SUPPORT-LINER	1
-	1451097	SCREW-#8-32X.31 HEX HD.TF-BLK. (ATTACHING PART)	10
7	9900106	SCREW #8-32 X 3/8 ACORN HEX HD S/TA	2
8	6111056	BRACKET SPRAY HOSE MOUNTING (OPTIONAL)	1
9	4731120	RETAINER-TANK-REAR	1
10	4731077	SHIELD-WATER	1
11	4751021	SHELF-WATER TANK	1
12	4761022	SUPPORT-WATER TANK	1
13	4851069	LINER ASSEMBLY-L.H.-FD	1
14	4791002	TRAY-CENTER PAN	1
15	-	CHOCOLATE/FREEZE DRY COFFEE SHELF ASSEMBLY (SEE FIGURE 70 FOR DETAILS)	-
16	4761095	RETAINER - TANK	1
17	-	DRY INGREDIENT SYSTEM (SEE FIGURE 75 FOR DETAILS)	-
18	4751264	PANEL-COFFEE MODULE	1
19	4731346	BRACKET & BLOWER ASSEMBLY - 115 V (SEE FIGURE 81 FOR DETAILS)	1
	4851062	BRACKET & BLOWER ASSEMBLY - 230 V (SEE FIGURE 81 FOR DETAILS)	
-	4861008	LINER BRACKET ASSEMBLY - L.H. - FD (INCLUDES INDEX NUMBERS 5,6, 13) (NOT SHOWN)	

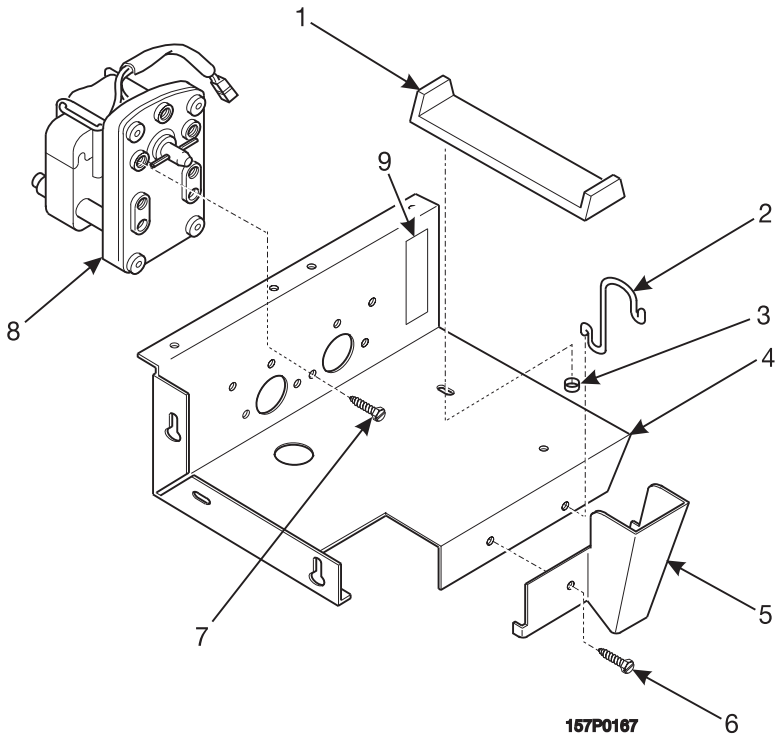


Figure 68. Fresh Brew Coffee Shelf Assembly

# Refreshment Center 3 Parts Manual

**TABLE 68. FRESH BREW COFFEE SHELF ASSEMBLY**

<b>INDEX</b>	<b>PART NUMBER</b>	<b>DESCRIPTION</b>	<b>QTY.</b>
-	4751033	COFFEE SHELF ASSEMBLY	1
1	6157037	LOCATOR - CANISTER	1
2	6207003	RETAINER - CANISTER - R.H.	1
3	2366055	SPEED CLIP - COMPRESSION RING	2
4	4751022	SHELF - CANISTER - COFFEE	1
5	4751035	CHUTE - COFFEE	1
6	1451097	SCREW - #8-32X.31 HEX HD.TF - BLK.	1
7	9900138	SCREW #8-32 X 1/4 PHS W/LKW	3
8	4731059	MOTOR - 200 RPM	1

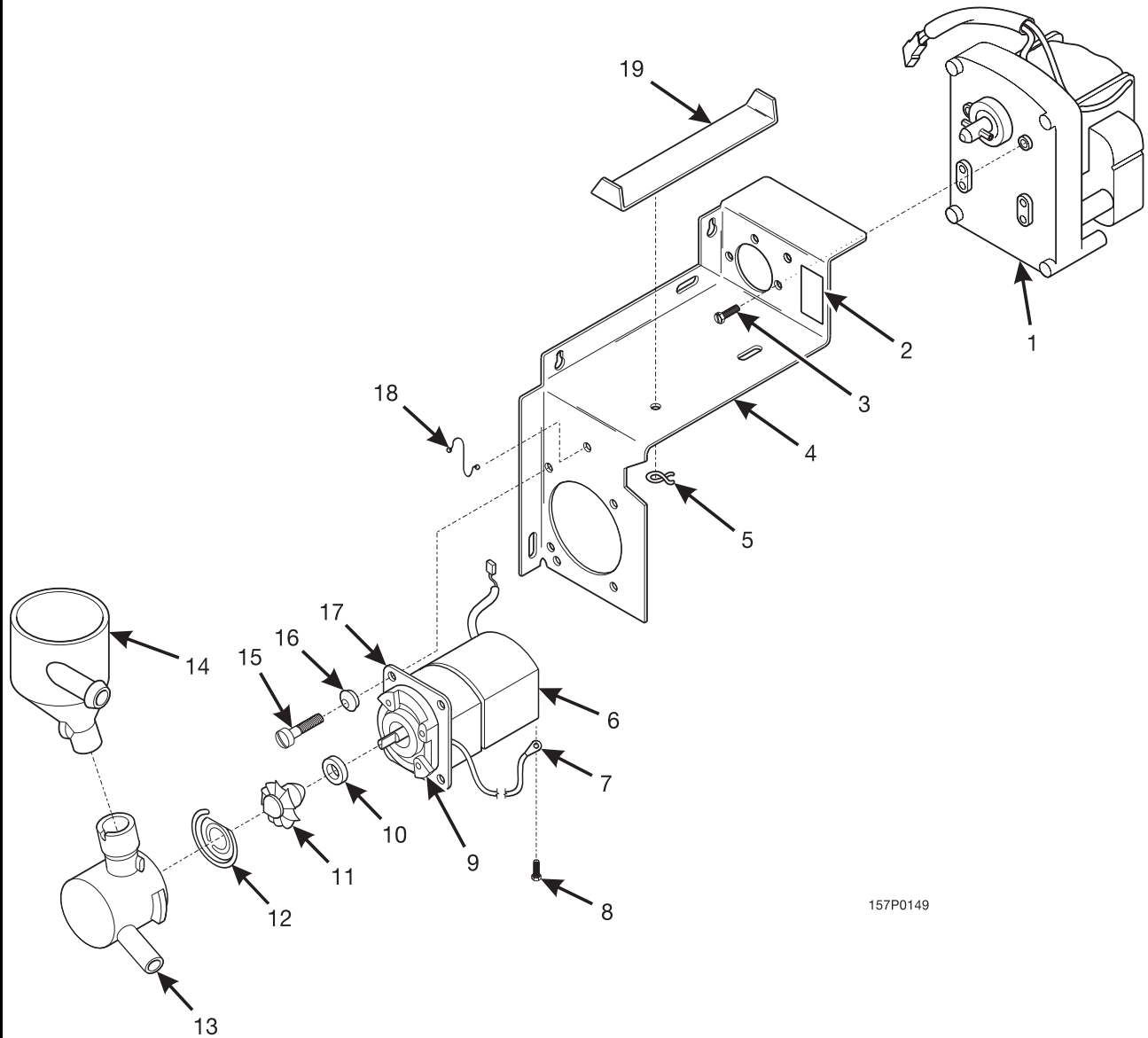


Figure 69. Fresh Brew Chocolate Shelf Assembly

**TABLE 69. FRESH BREW CHOCOLATE SHELF ASSEMBLY**

INDEX	PART NUMBER	DESCRIPTION	QTY.
-	4751064	SHELF ASSEMBLY - CHOCOLATE	-
1	4731059	MOTOR ASSEMBLY - 200 RPM	1
2	6137074	LABEL - CHOCOLATE	1
3	9900138	SCREW #8 - 32 X 1/4 PHS W/LKW	3
4	4751056	SHELF - CANISTER - CHOCOLATE	1
5	2366055	SPEED CLIP - COMPRESSION RING	2
6	6107185	MOTOR ASSEMBLY - CHOCOLATE WHIPPER	1
7	9984165	JUMPER - GROUND WIRE	1
8	3157060	SCREW - #8 - 32 X .31 HEX W/ HD. SLOTTED - T/F	1
9	6107191	MOUNTING PLATE - IMPELLER HOUSING ASSEMBLY	1
-	6107244	SCREW #6 - 32 X 9/16 PHS W/LW (ATTACHING PART FOR INDEX NUMBER 9)	4
10	6107194	BUSHING - SEAL	1
11	6107197	IMPELLER	1
12	6107198	THRUST SPRING ASSEMBLY	1
13	6107195	HOUSING - IMPELLER	1
14	6137114	FUNNEL	1
15	6157057	SCREW - SHOULDER	4
16	2302223	GROMMET - 3/16	4
17	6157055	PLATE ASSEMBLY - MTG - WHIPPER MOTOR	1
-	6107241	SCREW #8 - 32 X 5/16 PHS W/LW SS (ATTACHING PART FOR INDEX NUMBER 17)	4
18	6207003	RETAINER - CANISTER - R.H.	1
19	3617032	CANISTER LOCATOR	1

**THE FOLLOWING IS AVAILABLE AS AN ASSEMBLY:**

PART NUMBER	DESCRIPTION
6157054	MOTOR & PLATE ASSEMBLY - CHOCOLATE WHIPPER (CONSISTS OF INDEX NUMBERS 6, 7, 9, 16, 17, AND ATTACHING PARTS)

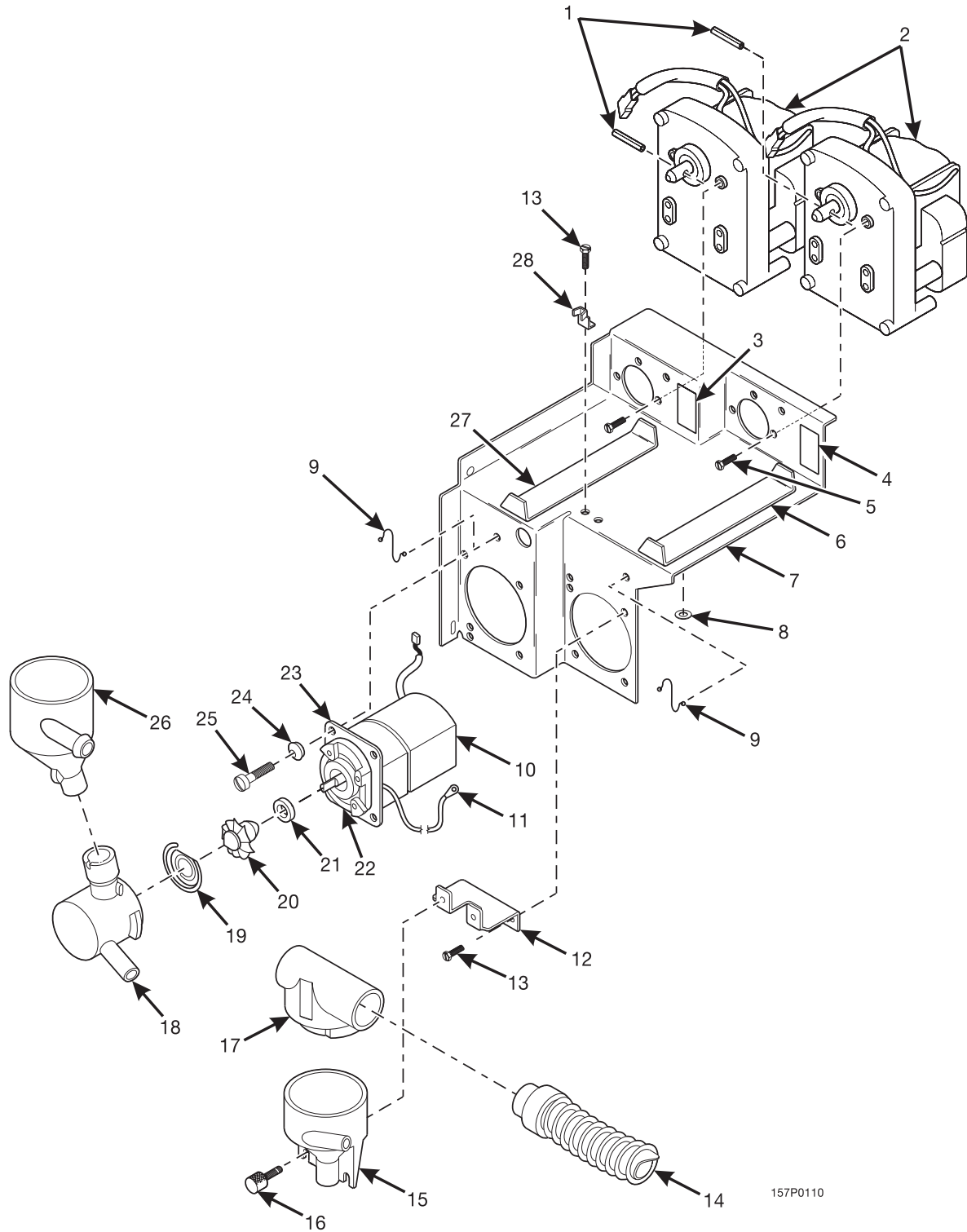


Figure 70. Chocolate/Freeze Dry Coffee Shelf Assembly (Part 1 of 2)

## Refreshment Center 3 Parts Manual

<b>TABLE 70. CHOCOLATE/FREEZE DRY COFFEE SHELF ASSEMBLY (PART 1 OF 2)</b>			
<b>INDEX</b>	<b>PART NUMBER</b>	<b>DESCRIPTION</b>	<b>QTY.</b>
-	-	SHELF ASSEMBLY - CHOCOLATE/FREEZE DRY COFFEE	1
1	6107020	ROLL PIN (INCLUDED WITH INDEX NUMBER 2)	2
2	4731059	MOTOR - 200 RPM	2
3	6137074	LABEL - CHOCOLATE	1
4	6187007	LABEL - COFFEE	1
5	9900138	SCREW #8-32 X 1/4 PHS W/LKW	6
6	6157037	LOCATOR - CANISTER	1
7	4761153	SHELF ASSEMBLY - FD - FR.	1
8	2366055	SPEED CLIP - COMPRESSION RING	4
9	6207003	RETAINER - CANISTER - R.H.	2
10	6107185	MOTOR ASSEMBLY - CHOCOLATE WHIPPER	1
11	9984094	GROUND WIRE ASSEMBLY	1
-	3157060	SCREW - #8-32 X .31 HEX W/ HD. SLOTTED - T/ F - ZINC PL (ATTACHING PART FOR INDEX # 11)	1
12	4761158	BRACKET - BOWL - FD - FR.	1
13	1451097	SCREW - #8-32X.31 HEX HD.TF - BLK.	2
14	4761024	HOSE ASSEMBLY - EXHAUST - 43.0" LONG	1
15	6187001	MIXING BOWL - COFFEE	1
16	2206028	THUMB SCREW - SIDEWALL	2
17	4761021	VENT & PLUG ASSEMBLY - FR.	1
18	6107195	HOUSING - IMPELLER	1
19	6107198	THRUST SPRING ASSEMBLY	1
20	6107197	IMPELLER	1
21	6107194	BUSHING - SEAL	1
22	3617025	PLATE & SEAL ASSEMBLY	1
-	6107244	SCREW #6-32 X 9/16 PHS W/LW SS (ATTACHING PART FOR INDEX # 22)	2
23	6157055	PLATE ASSEMBLY - MOUNTING - WHIPPER MOTOR	1
-	6107241	SCREW #8-32 X 5/16 PHS W/LW SS (ATTACHING PART FOR INDEX # 23)	4
24	2302223	GROMMET - 3/16	4
25	6157057	SCREW - SHOULDER	4
26	6137114	FUNNEL	1
27	3617032	CANISTER LOCATOR - FOREIGN	1
28	4761016	LOCATER - CHUTE - FR.	1
-	4761032	SHELF ASSEMBLY - FREEZE DRY COFFEE (INCLUDES INDEX NUMBERS 2-4, 6-8, 10, 11, 13, 22-24, 25-28)	-
-	3617024	MOTOR AND PLATE ASSEMBLY (INCLUDES INDEX NUMBERS 10, 11, 22-24)	-

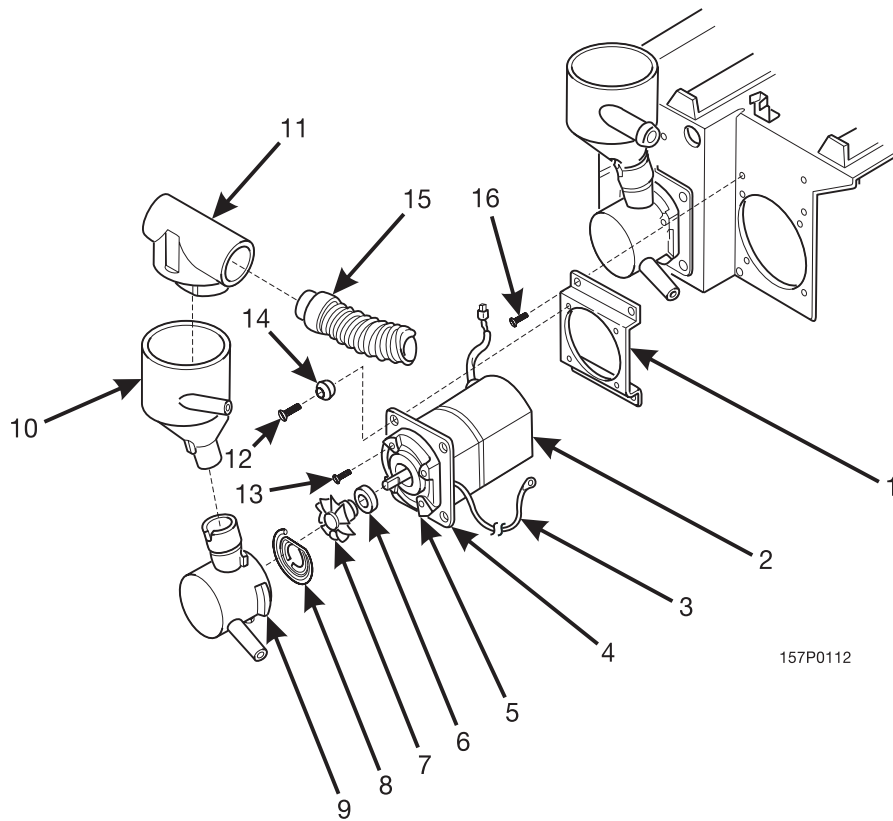


Figure 71. Chocolate/Freeze Dry Coffee Shelf Assembly (Part 2 of 2) (786/789 With Whipped Coffee)



## Refreshment Center 3 Parts Manual

**TABLE 71. CHOCOLATE/FREEZE DRY COFFEE SHELF ASSEMBLY (PART 2 OF 2) (786/789 WITH WHIPPED COFFEE)**

INDEX	PART NUMBER	DESCRIPTION	QTY.
-	-	SHELF ASSEMBLY - CHOCOLATE/FREEZE DRY COFFEE WITH WHIPPER	OPT.
1	4761017	BRACKET - WHIPPER - FR.	1
2	6107185	MOTOR ASSEMBLY - CHOCOLATE WHIPPER	1
-	6157057	SCREW - SHOULDER	4
3	9984094	GROUND WIRE ASSEMBLY	1
-	3157060	SCREW-#8-32 X .31 HEX W/ HD. SLOTTED-T/F-ZINC PL	1
4	6157055	PLATE ASSEMBLY - MOUNTING - WHIPPER MOTOR	1
-	6107241	SCREW #8-32 X 5/16 PHS W/LW SS (SECURES INDEX #4 TO INDEX #2) (NOT SHOWN)	4
5	3617025	PLATE & SEAL ASSEMBLY	1
6	6107194	BUSHING - SEAL	1
7	6107197	IMPELLER	1
8	6107198	THRUST SPRING ASSEMBLY	1
9	6107195	HOUSING - IMPELLER	1
10	6517000	MIXING BOWL - CHOCOLATE	1
11	4761021	VENT & PLUG ASSEMBLY - FR.	1
12	6157057	SCREW - SHOULDER - #8-32	4
13	6107244	SCREW #6-32 X 9/16 PHS W/LW SS (SECURES INDEX #5 TO INDEX #4)	4
14	2302223	GROMMET - 3/16	4
15	4761024	HOSE ASSEMBLY - EXHAUST - 43.0 IN LG.	1

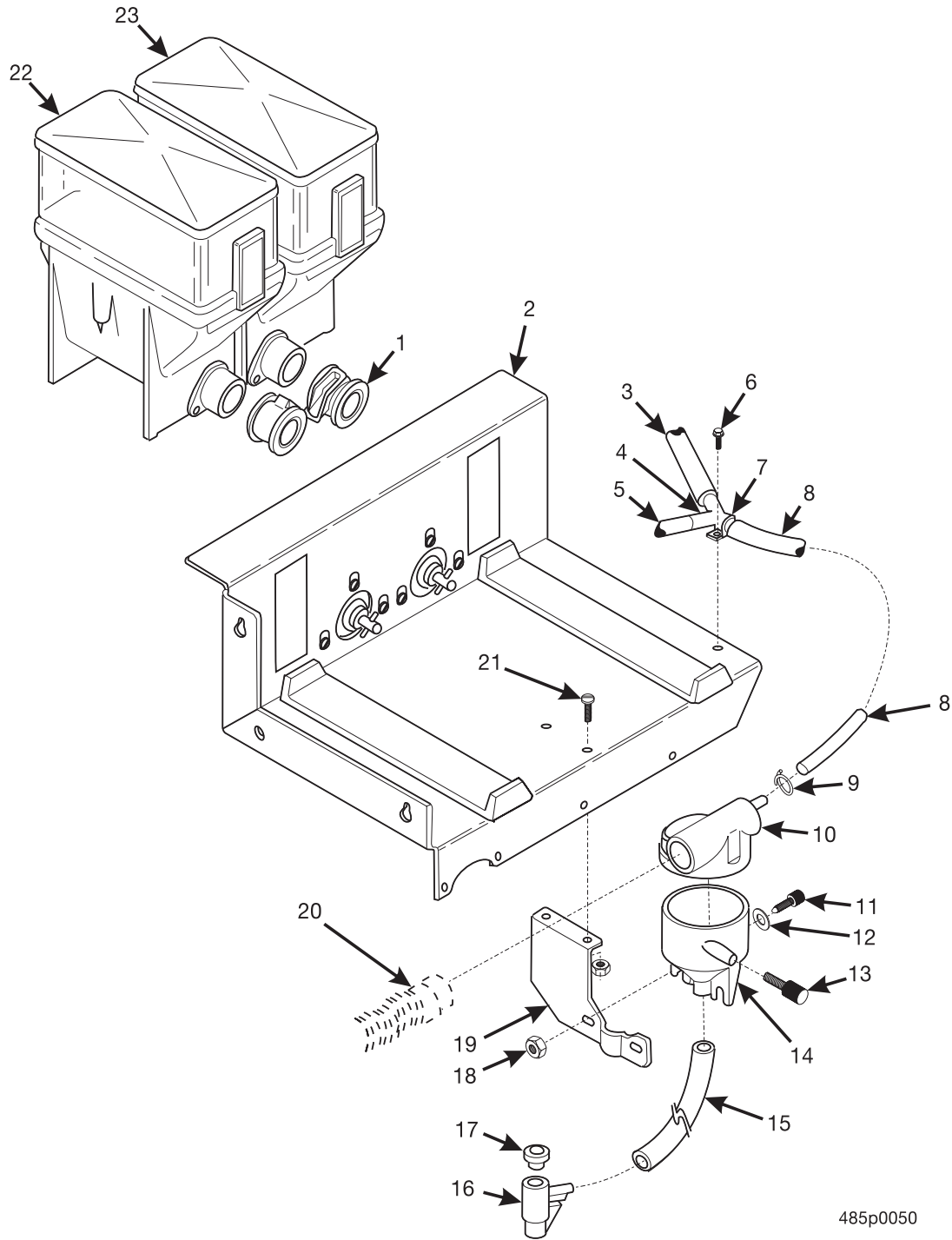


Figure 72. Sugar/Lightener Dispensing System (785/788 Without Coffee Whipper)

## Refreshment Center 3 Parts Manual

**TABLE 72. SUGAR/LIGHTENER DISPENSING SYSTEM (785/788 WITHOUT COFFEE WHIPPER)**

INDEX	PART NUMBER	DESCRIPTION	QTY.
1	6157002	NOZZLE - CHUTE	2
2	4751062	DRY INGREDIENTS SHELF ASSEMBLY	1
3	4731203	TUBE - .75 O.D.X .50 I.D.X 32"	1
4	6158073	RESTRICTOR & "Y" ASSEMBLY	1
5	4731204	TUBE - .44 O.D.X.25 I.D.X 32.5" - 6208037	1
6	1451097	SCREW - #8-32X.31 HEX HD.TF - BLK.	1
7	3106144	CABLE CLAMP RICHCO#N9B	1
8	6124109	TUBE - .38 I.D.X.56 O.D.X 5" - 6338021	1
9	6111054	CLAMP - HOSE 19/32	1
10	3617033	VENT ASSEMBLY	1
11	2206028	THUMB SCREW - SIDEWALL	2
12	6114121	WASHER - ROLLER	2
13	6134192	PLUG - BREWER MANIFOLD	1
14	6187001	MIXING BOWL - COFFEE	1
15	4731064	TUBE - 6338021 - 24.0"	1
16	6117010	SPOUT - DISPENSING	1
17	4711020	CAPLUG - SPOUT - NATR'L	1
18	9900081	NUT #8-32 KEPS ZINC PLATE	2
19	4751027	BRACKET - MOUNTING - BOWL	1
20	6157031	HOSE ASSEMBLY - EXHAUST - 28	
21	1217161	SCREW #8-32 X 1/2 RHS	2
22	4751061	LIGHTENER CANISTER ASSEMBLY (SEE FIGURE 80 FOR DETAILS)	1
23	4731129	SUGAR CANISTER ASSEMBLY (SEE FIGURE 79 FOR DETAILS)	1

**THE FOLLOWING ARE AVAILABLE AS ASSEMBLIES:**

4731208	"Y" ASSEMBLY (CONSISTS OF INDEX NUMBERS 3 - 5, 8)
4731322	MIXING BOWL & BRACKET ASSEMBLY (CONSISTS OF INDEX NUMBERS 10 - 19)

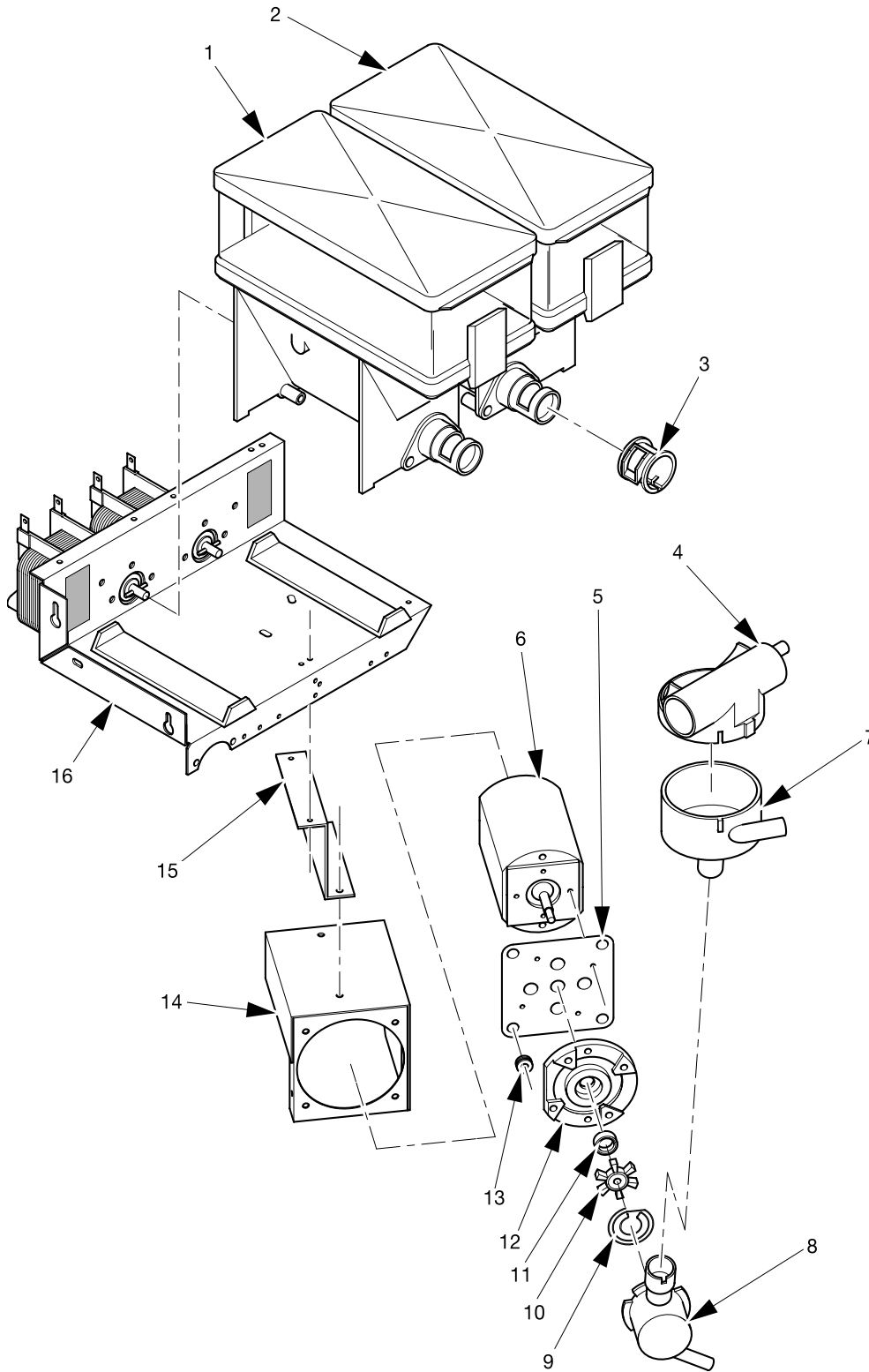


Figure 73. Sugar and Lightener Dispensing System (785/788 With Coffee Whipper)

## Refreshment Center 3 Parts Manual

**TABLE 73. SUGAR AND LIGHTENER DISPENSING SYSTEM (785/788 WITH COFFEE WHIPPER)**

INDEX	PART NUMBER	DESCRIPTION	QTY.
1	4751061	LIGHTENER CANISTER ASSEMBLY (SEE FIGURE 80 FOR DETAILS)	1
2	4731129	SUGAR CANISTER ASSEMBLY (SEE FIGURE 79 FOR DETAILS)	1
3	6157002	NOZZLE - CHUTE	2
4	4751106	VENT ASSEMBLY - GER/FR	1
5	6157055	PLATE ASSEMBLY - MOUNTING - WHIPPER MOTOR	1
6	6107185	MOTOR ASSEMBLY - CHOCOLATE WHIPPER	1
7	4751104	BOWL - MIXING - COFFEE - GER/FR	1
8	6107195	HOUSING - IMPELLER	1
9	6107198	THRUST SPRING ASSEMBLY	1
10	6107197	IMPELLER	1
11	6107194	BUSHING - SEAL	1
12	3617025	PLATE AND SEAL ASSEMBLY	1
13	2302223	GROMMET - 3/16	4
14	4751100	MOUNTING ASSEMBLY - WHIPPER - GER/FR	1
15	4751103	BRACKET - WHIPPER ASSEMBLY - GER/FR	1
16	4751126	DRY INGREDIENTS SHELF ASSEMBLY (SEE FIGURE 75 FOR DETAILS)	1
-	6107241	SCREW - #8-32 X 5/16 PHS W/LW - SS (USED TO SECURE INDEX #10 TO INDEX #8)	4

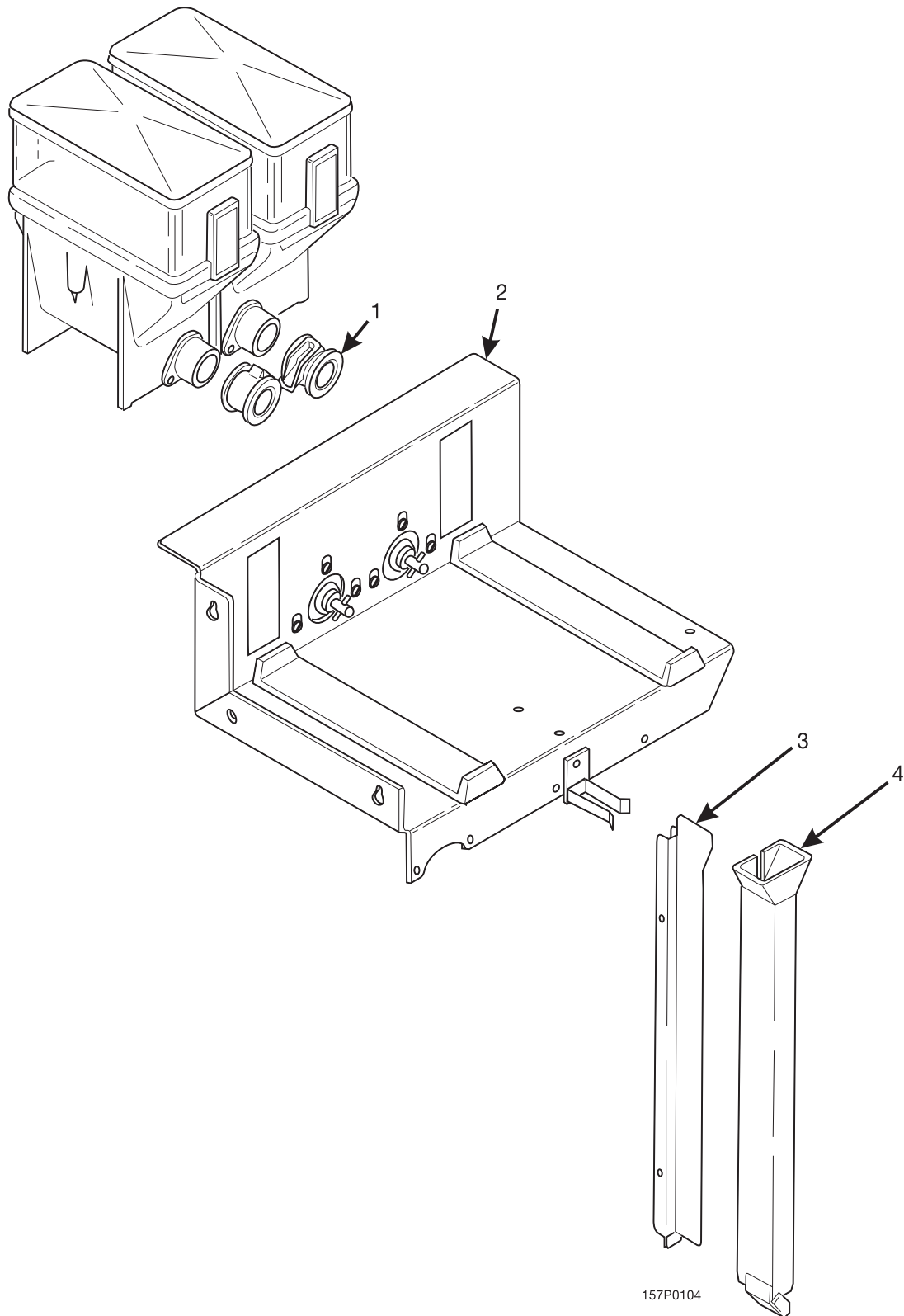


Figure 74. Sugar/Lightener Dispensing System (786/789)

# Refreshment Center 3 Parts Manual

**TABLE 74. SUGAR/LIGHTENER DISPENSING SYSTEM (786/789)**

<b>INDEX</b>	<b>PART NUMBER</b>	<b>DESCRIPTION</b>	<b>QTY.</b>
1	6157002	NOZZLE - CHUTE	2
2	4761034	DRY INGREDIENTS SHELF ASSEMBLY (SEE FIGURE 75 FOR DETAILS)	1
3	4761060	DIVIDER ASSEMBLY	1
4	4761155	FRONT CHANNEL ASSEMBLY	1
5	4751061	LIGHTENER CANISTER ASSEMBLY (SEE FIGURE 80 FOR DETAILS)	1
6	4731129	SUGAR CANISTER ASSEMBLY (SEE FIGURE 79 FOR DETAILS)	1





# Refreshment Center 3 Parts Manual

**TABLE 75. DRY INGREDIENT (SUGAR/LIGHTENER) SHELF ASSEMBLY**

INDEX	PART NUMBER	DESCRIPTION	QTY.
-	4751226	DRY INGREDIENTS SHELF ASSEMBLY (785/788) (INCLUDES INDEX NUMBERS 1-3, 10-13)	1
	4761034	DRY INGREDIENTS SHELF ASSEMBLY (786 /789) (INCLUDES INDEX NUMBERS 1-3, 5-8, 10-13)	
1	6157037	LOCATOR - CANISTER	2
2	2366055	SPEED CLIP - COMPRESSION RING	4
3	6207004	RETAINER - CANISTER - L.H.	1
4	4761015	RETAINER - CHUTE - FD - FR. (MODEL 786 ONLY)	1
5	4761014	BRACKET - RETAINER - CHUTE - FR (MODEL 786 ONLY)	1
6	6207003	RETAINER - CANISTER - R.H.	1
7	4751098	SHELF - CANISTER	1
8	4731059	MOTOR - 200 RPM	2
9	6137077	LABEL - LIGHTENER	1
10	6137076	LABEL - SUGAR	1

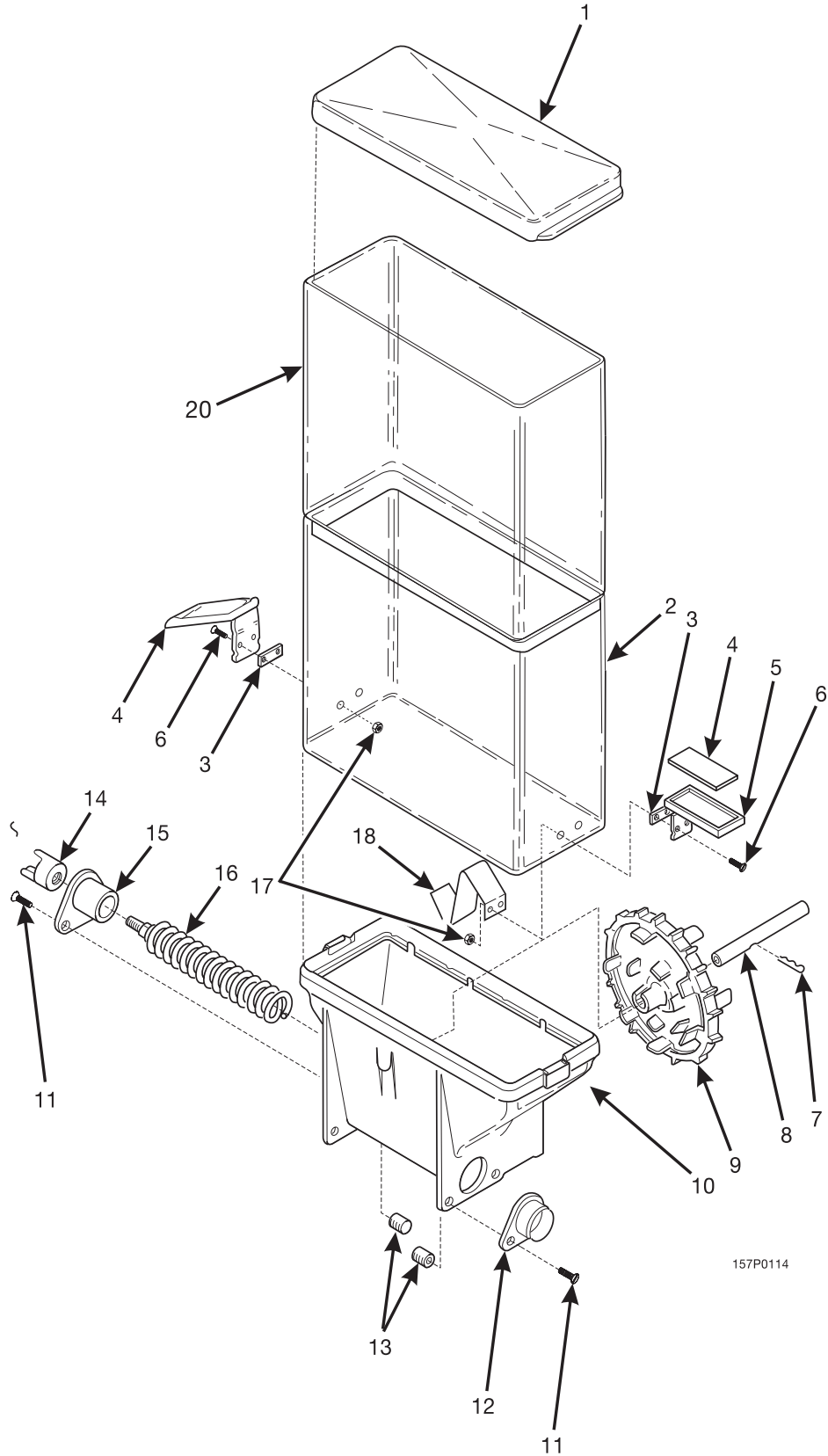


Figure 76. Fresh Brew Coffee Canister Assembly

**TABLE 76. FRESH BREW COFFEE CANISTER ASSEMBLY**

INDEX	PART NUMBER	DESCRIPTION	QTY.
-	4751128	CANISTER ASSEMBLY - COFFEE - FRESH BREW - GER/FR	-
1	6137030	LID - CANISTER	1
2	6157016	TUBE - CANISTER - 10 IN	1
	6197007	TUBE - CANISTER - 7"	
3	6137023	SPACER - CANISTER LATCH	2
4	6187007	LABEL - COFFEE	1
5	9984547	DRAW CATCH 07-0-201-12	2
6	6137099	SCREW #6-32 X 9/16 FLAT HEAD	4
7	6134030	PIN - HITCH WW CLIP #22 TYPE 302 SS	1
8	6137038	TUBE - MIXING WHEEL	1
9	6137024	MIXING WHEEL	1
10	6137004	CANISTER BASE - TEA & LIGHTENER	1
11	9900027	SCREW #8-32 X 1/2 FHS	4
12	6154261	SPOUT	1
13	9900214	NUT - KNURL - CANISTER	4
14	6107041	AUGER - DRIVE COUPLING	1
15	6137035	BEARING - DISPENSING	1
16	6204513	AUGER & SHAFT ASSEMBLY	1
17	6137100	NUT - ACORN #6-32	4
18	6207540	AGITATOR - CANISTER - LONG	1

**THE FOLLOWING ARE AVAILABLE AS ASSEMBLIES:**

4751129	TUBE ASSEMBLY - CANISTER - 7" - GER/FR (CONSISTS OF INDEX NUMBERS 2, 3, 5, 6, 18, 18)
6204512	AUGER ASSEMBLY (CONSISTS OF INDEX NUMBERS 14 - 16)
6207539	TUBE ASSEMBLY - CANISTER - CHOC/SOUP

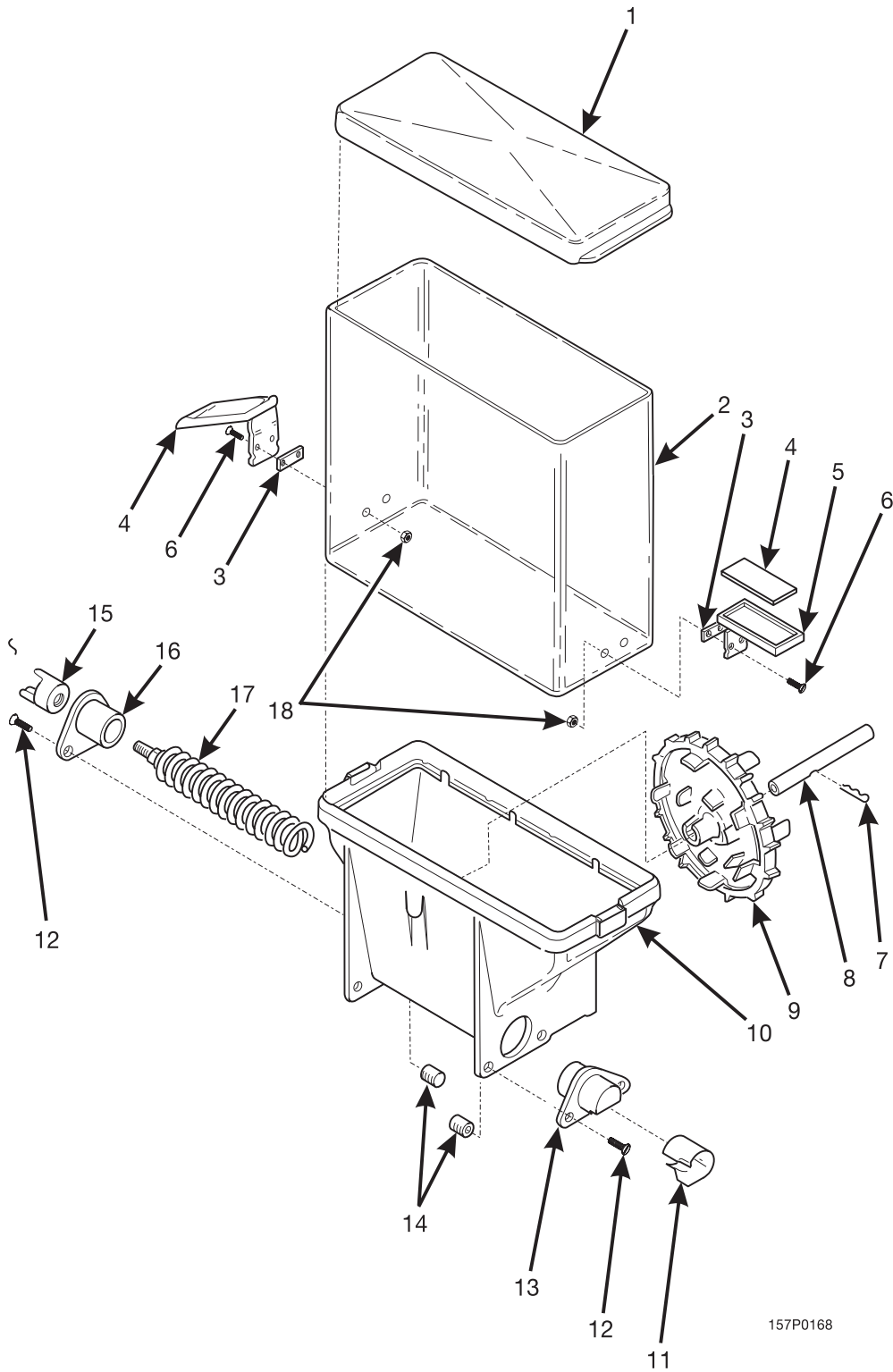


Figure 77. Freeze Dry Canister Assembly (786 Only)

**TABLE 77. FREEZE DRY CANISTER ASSEMBLY (786 ONLY)**

INDEX	PART NUMBER	DESCRIPTION	QTY.
-	4761031	CANISTER ASSEMBLY - FREEZE DRY (786 ONLY)	-
1	6137030	LID CANISTER	1
2	6157026	TUBE - CANISTER - 5 IN	1
3	6137023	SPACER - CANISTER LATCH	2
4	6187007	LABEL - COFFEE	1
5	9984547	DRAW CATCH 07-11-20-1-12	2
6	6137099	SCREW #6-32 X 9/16 FLAT HEAD	4
7	6134030	PIN - HITCH WW CLIP #22 TYPE 302 SS	1
8	6137038	TUBE - MIXING WHEEL	1
9	6137024	MIXING WHEEL	1
10	6137005	CANISTER BASE - SUGAR & CHOCOLATE	1
11	4761169	EXTENSION-DISPENSER SPOUT	1
12	9900027	SCREW #8-32 X 1/2 FHS	4
13	6137033	SPOUT - TEA DISPENSING	1
14	9900214	NUT - KNURL - CANISTER	4
15	6107041	AUGER - DRIVE COUPLING	1
16	6137035	BEARING - DISPENSING	1
17	6137131	AUGER & SHAFT ASSEMBLY	1
18	6137100	NUT - ACORN #6-32	4

**THE FOLLOWING ARE AVAILABLE AS ASSEMBLIES:**

6157029	TUBE ASSEMBLY - CANISTER - 5 INCH (CONSISTS OF INDEX NUMBERS 2, 3, 5, 6, 18)
6137128	AUGER ASSEMBLY (CONSISTS OF INDEX NUMBERS 15 - 17)

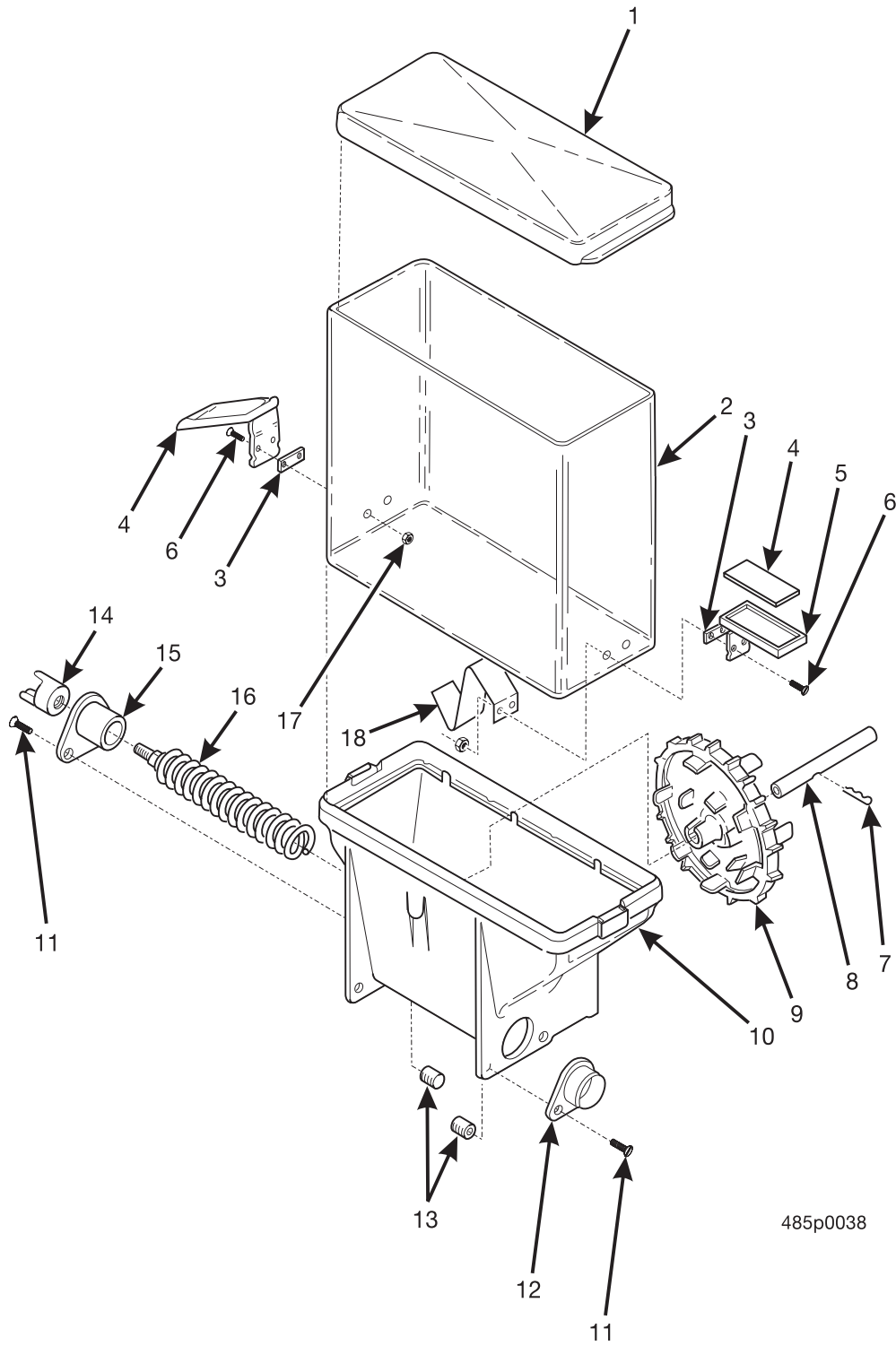


Figure 78. Chocolate Canister Assembly

**TABLE 78. CHOCOLATE CANISTER ASSEMBLY**

INDEX	PART NUMBER	DESCRIPTION	QTY.
-	4731311	CANISTER ASSEMBLY - CHOCOLATE	-
1	6137030	LID CANISTER	1
2	6157026	TUBE - CANISTER - 5 IN	1
3	6137023	SPACER - CANISTER LATCH	2
4	6137074	LABEL - CHOCOLATE	1
5	9984547	DRAW CATCH 07-11-20-1-12	2
6	6137099	SCREW #6-32 X 9/16 FLAT HEAD	4
7	6134030	PIN - HITCH WW CLIP #22 TYPE 302 SS	1
8	6137038	TUBE - MIXING WHEEL	1
9	6137024	MIXING WHEEL	1
10	6137005	CANISTER BASE - SUGAR & CHOCOLATE	1
11	9900027	SCREW #8-32 X 1/2 FHS	4
12	6137034	SPOUT - SOUP DISPENSING	1
13	9900214	NUT - KNURL - CANISTER	4
14	6107041	AUGER - DRIVE COUPLING	1
15	6137035	BEARING - DISPENSING	1
16	6204513	AUGER & SHAFT ASSEMBLY	1
17	6137100	NUT - ACORN #6-32	4
18	6137101	AGITATOR - CANISTER	1

**THE FOLLOWING ARE AVAILABLE AS ASSEMBLIES**

6157029	TUBE ASSEMBLY - CANISTER - 5 INCH (CONSISTS OF INDEX NUMBERS 2, 3, 5, 6, 17, 18)
6204512	AUGER ASSEMBLY (CONSISTS OF INDEX NUMBERS 14 - 16)

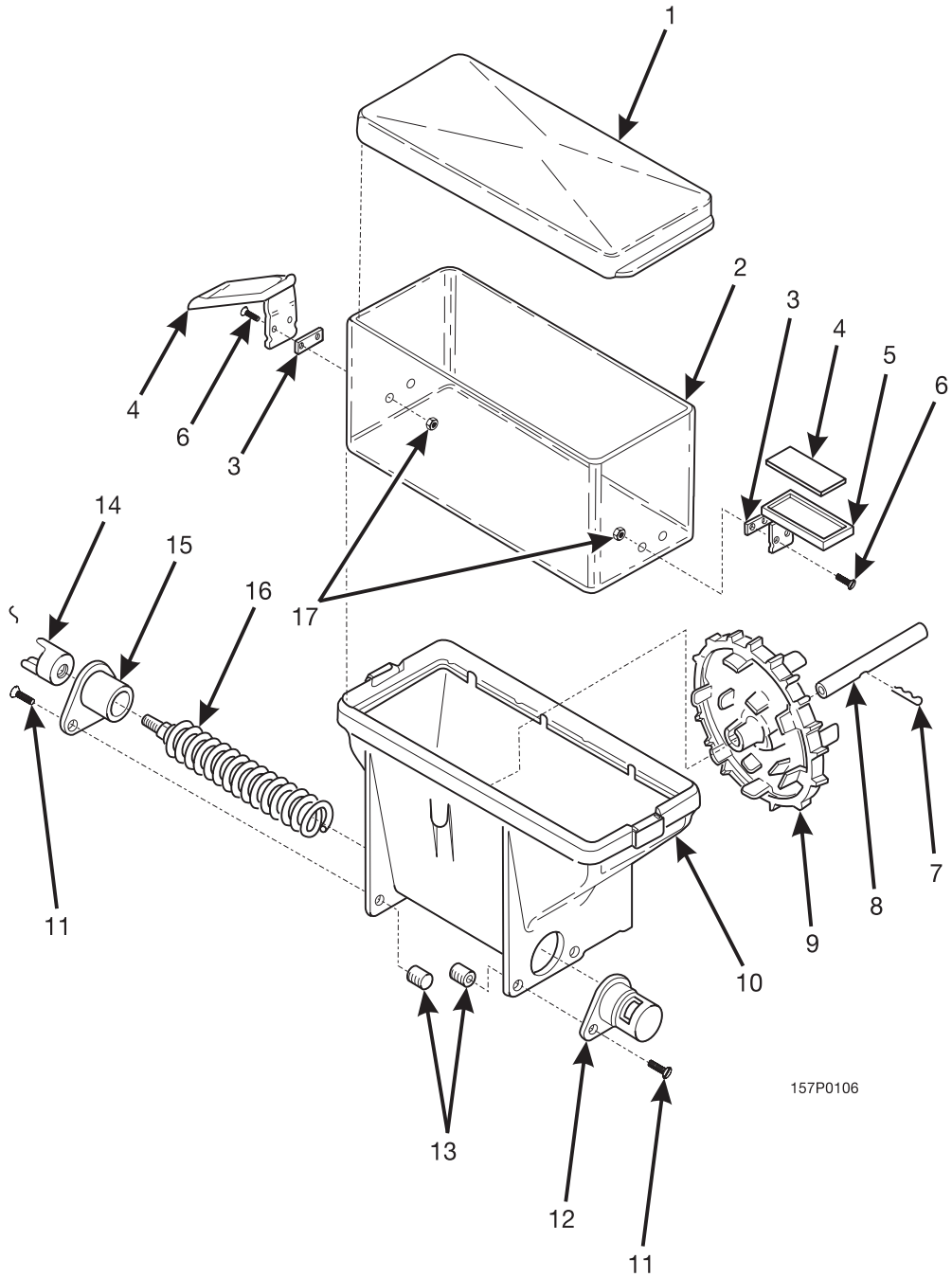


Figure 79. Sugar Canister Assembly



# Refreshment Center 3 Parts Manual

**TABLE 79. SUGAR CANISTER ASSEMBLY**

INDEX	PART NUMBER	DESCRIPTION	QTY.
-	4731129	CANISTER ASSEMBLY - SUGAR	REF
1	6137030	LID - CANISTER	1
2	4731128	TUBE - 3"CANISTER	1
3	6137023	SPACER - CANISTER LATCH	2
4	6137076	LABEL - SUGAR	1
5	9984547	DRAW CATCH 07-11-20-1-12	2
6	6137099	SCREW #6-32 X 9/16 FLAT HEAD	4
7	6134030	PIN - HITCH WW CLIP #22 TYPE 302 SS	1
8	6137038	TUBE - MIXING WHEEL	1
9	6137024	MIXING WHEEL	1
10	6137004	CANISTER BASE - TEA & LIGHTENER	1
11	9900027	SCREW #8-32 X 1/2 FHS	4
12	6157019	SPOUT - DISPENSING CHUTE	1
13	9900214	NUT - KNURL - CANISTER	4
14	6107041	AUGER DRIVE COUPLING	1
15	6137035	BEARING - DISPENSING	1
16	6137131	AUGER & SHAFT ASSEMBLY	1
17	6137100	NUT - ACORN #6-32	4
<b>THE FOLLOWING ARE AVAILABLE AS ASSEMBLIES:</b>			
	4731127	TUBE ASSEMBLY - 3" CANISTER (CONSISTS OF INDEX NUMBERS 2, 3, 5, 6, 17)	
	6137128	AUGER ASSEMBLY (CONSISTS OF INDEX NUMBERS 14 - 16)	

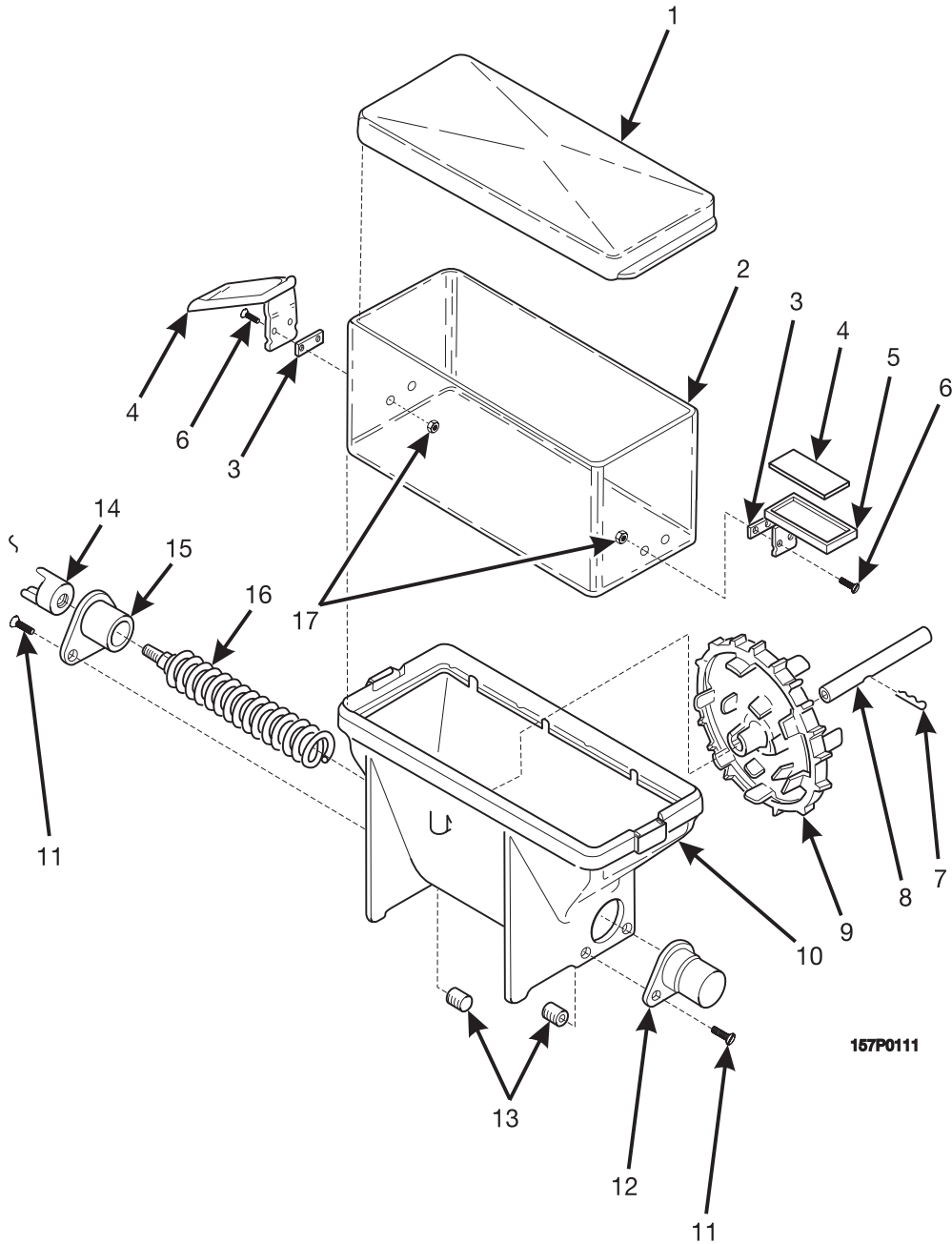


Figure 80. Lightener Canister Assembly

**TABLE 80. LIGHTENER CANISTER ASSEMBLY**

INDEX	PART NUMBER	DESCRIPTION	QTY.
-	4751061	CANISTER ASSEMBLY - LIGHTENER	1
1	6137030	LID - CANISTER	1
2	4731128	TUBE - 3"CANISTER	1
3	6137023	SPACER - CANISTER LATCH	2
4	6137077	LABEL - LIGHTENER	1
5	9984547	DRAW CATCH 07-11-20-1-12	2
6	6137099	SCREW #6-32 X 9/16 FLAT HEAD	4
7	6134030	PIN - HITCH WW CLIP #22 TYPE 302 SS	1
8	6137038	TUBE - MIXING WHEEL	1
9	6137024	MIXING WHEEL	1
10	6137005	CANISTER BASE - SUGAR & CHOCOLATE	1
11	9900027	SCREW #8-32 X 1/2 FHS	4
12	6157019	SPOUT - DISPENSING CHUTE	1
13	9900214	NUT - KNURL - CANISTER	4
14	6107041	AUGER DRIVE COUPLING	1
15	6137035	BEARING - DISPENSING	1
16	6137131	AUGER & SHAFT ASSEMBLY	1
17	6137100	NUT - ACORN #6-32	4

**THE FOLLOWING ARE AVAILABLE AS ASSEMBLIES:**

4731127	TUBE ASSEMBLY - 3" CANISTER (CONSISTS OF INDEX NUMBERS 2, 3, 5, 6, 17)
6137128	AUGER ASSEMBLY (CONSISTS OF INDEX NUMBERS 14 - 16)

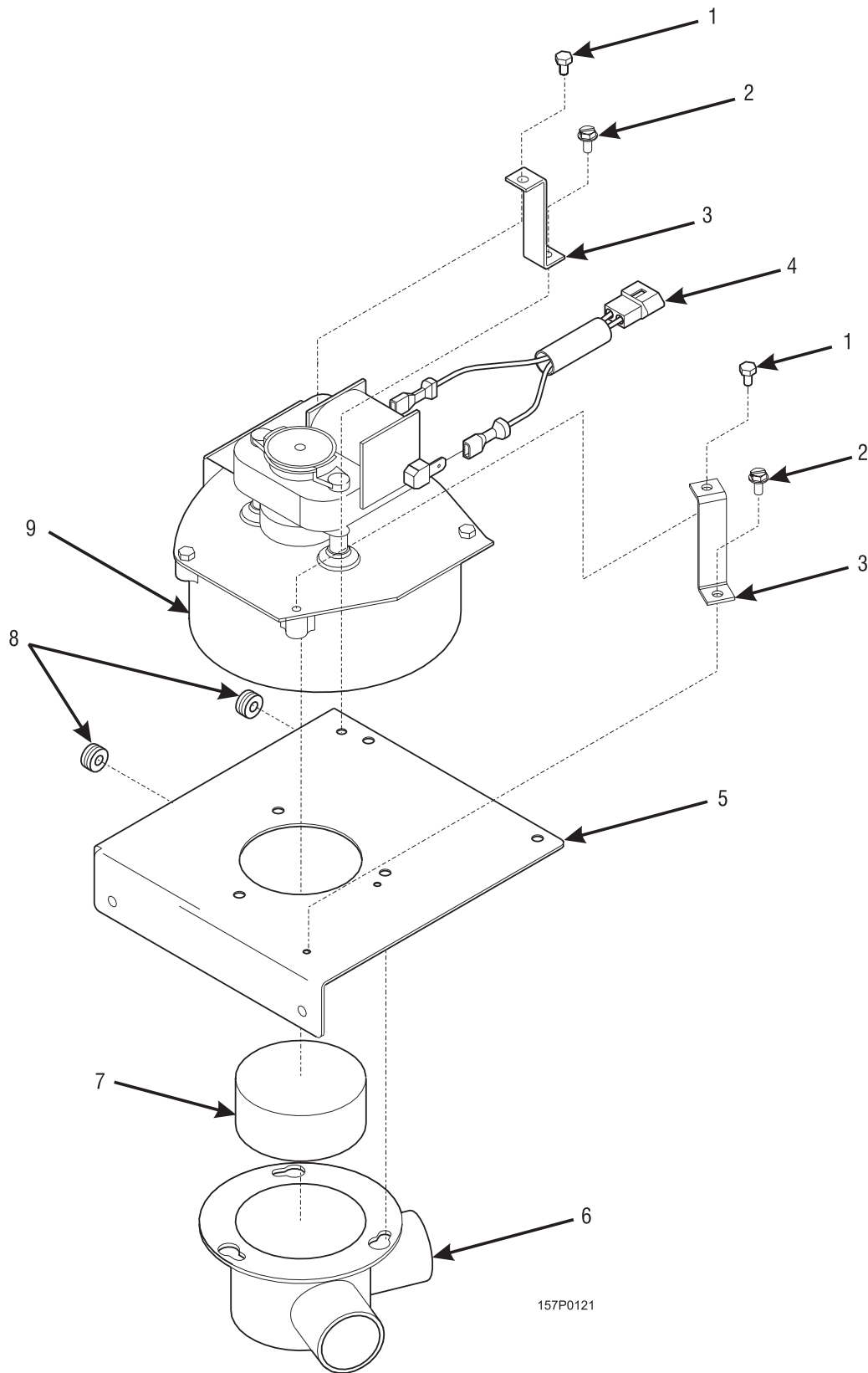


Figure 81. Blower and Mounting Assembly

# Refreshment Center 3 Parts Manual

**TABLE 81. BLOWER AND MOUNTING ASSEMBLY**

INDEX	PART NUMBER	DESCRIPTION	QTY.
-	4731346	BRACKET & BLOWER ASSEMBLY - 115 V	1
	4851062	BRACKET AND BLOWER ASSEMBLY -230 V	
1	1437204	SCREW - #8-10 X .38 HEX HD.TF	2
2	1451097	SCREW - #8-32 X .31 HEX HD.TF - BLK.	2
3	6231553	TIE DOWN - BLOWER ASSEMBLY	2
4	9989637	JUMPER - BLOWER	1
5	4731347	BRACKET ASSEMBLY - BLOWER MOUNTING	1
6	6237342	HOUSING - EXHAUST BLOWER	1
7	6237340	FILTER - EXHAUST BLOWER	1
8	2302223	GROMMET - 3/16	2
9	6231548	BLOWER ASSEMBLY - 120V	1
	6401088	BLOWER ASSEMBLY - 230 V	

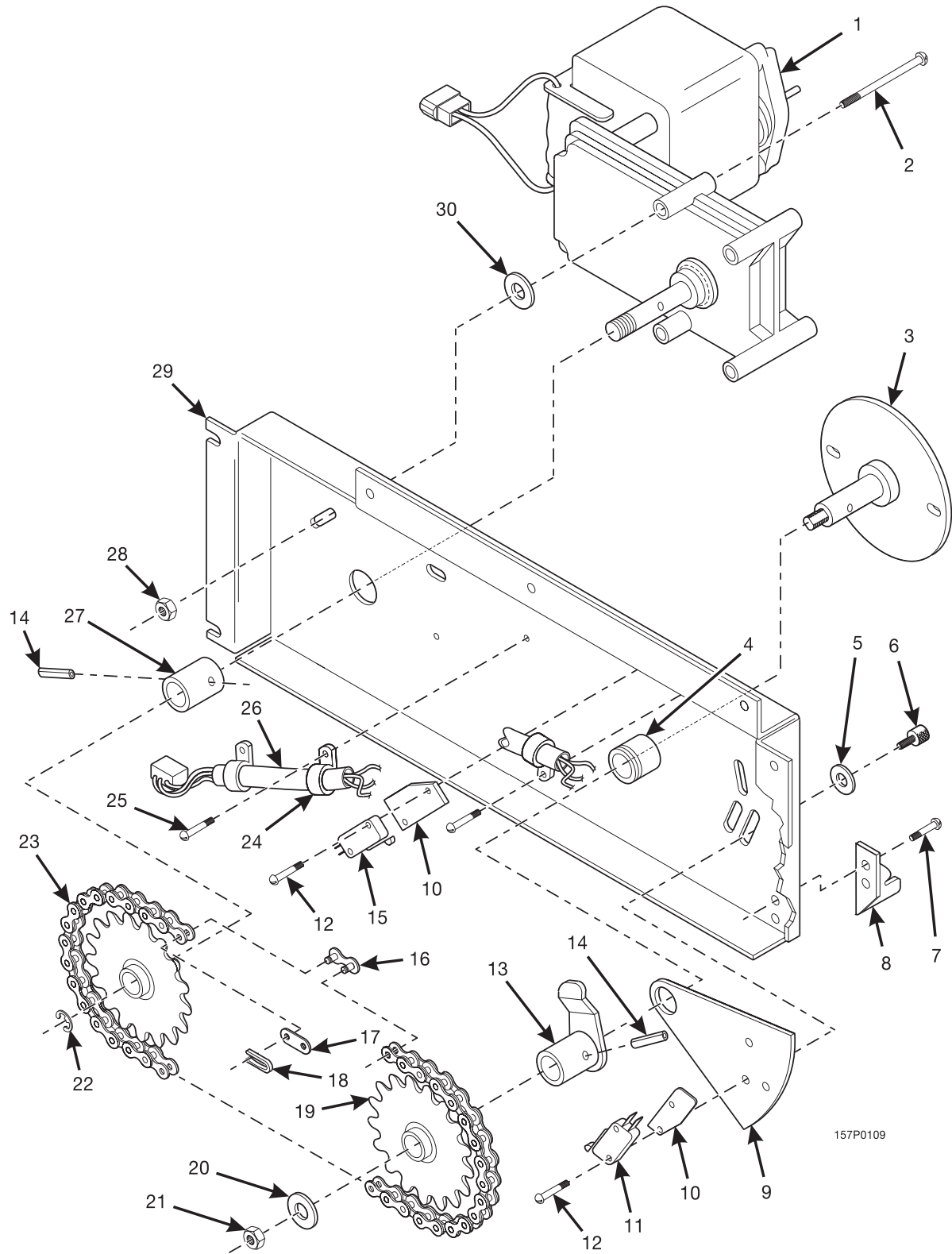


Figure 82. Brewer Drive Assembly

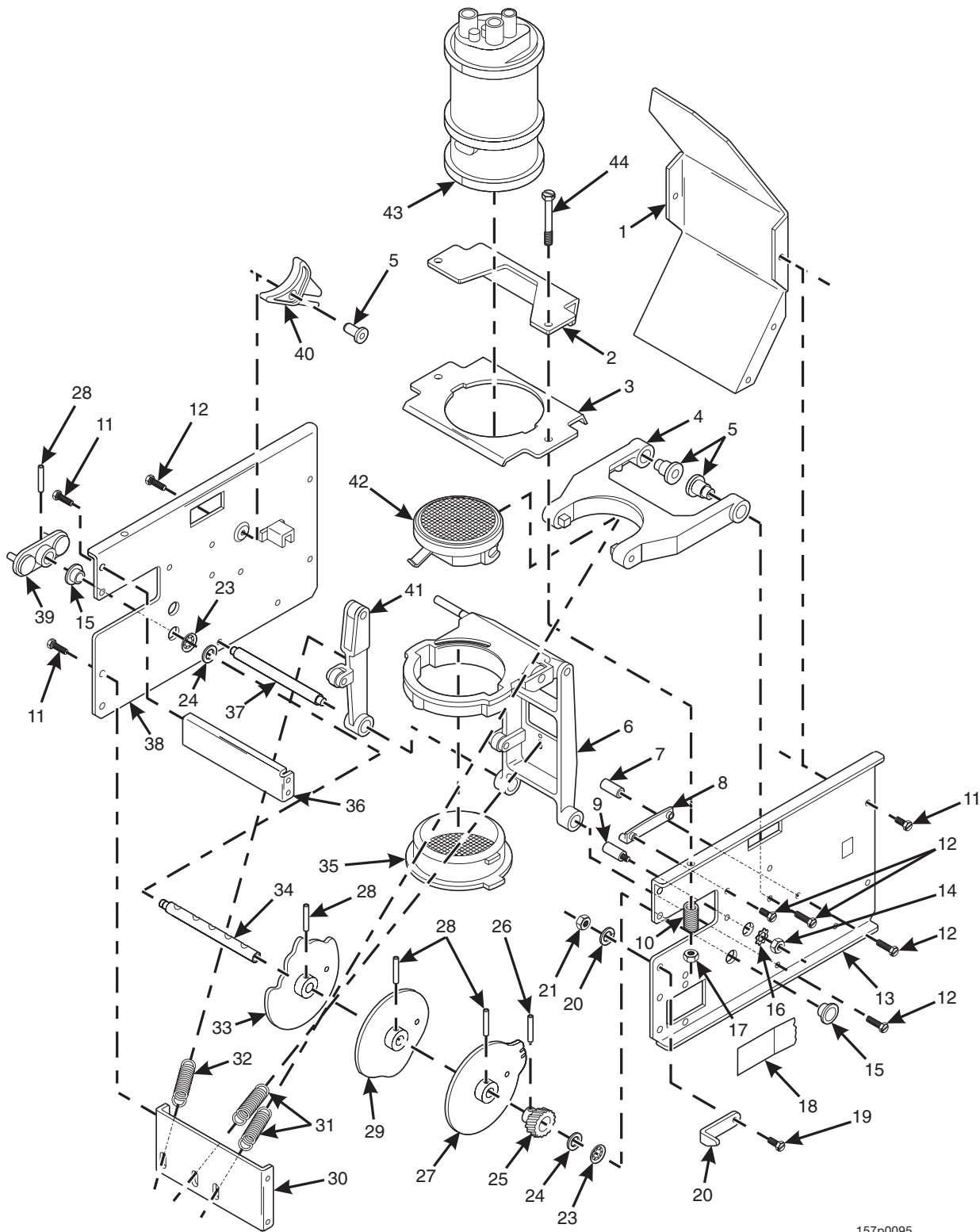
# Refreshment Center 3 Parts Manual

**TABLE 82. BREWER DRIVE ASSEMBLY**

INDEX	PART NUMBER	DESCRIPTION	QTY.
-	4731282	DRIVE ASSEMBLY - BREWER	-
1	4751230	MOTOR - BREWER	1
2	4731070	SCREW - #10 - 32 X 1.75 PHS	4
3	4731083	COUPLING & BREWER ASSEMBLY	1
4	4047012	SHOULDER BUSHING	2
5	9900035	WASHER, STEEL 7/16 X 3/16 X 3	1
6	2206028	THUMB SCREW, SIDEWALL	1
7	1451097	SCREW - #8 - 32X.31 HEX HD.TF - BL	4
8	4731082	BRACKET - BREWER	2
9	4731093	PLATE - SWITCH - MOUNTING	1
10	2304083	INSULATOR - SWITCH	2
11	5201091	SWITCH	1
12	1217160	4 - 40X5/8 RHS M SCREW Z/Y	4
13	4731085	CAM ASSEMBLY - SWITCH ACTUATOR	1
14	6133157	ROLL PIN 3/16 X 1	2
15	2304109	SWITCH - ROLLER LEVER V3L - 139 -	1
16	4047176	LINK & PIN ASY - MASTER - 212 - 18	1
17	4047177	LINK - MASTER - #211 - 1808	1
18	4047178	RETAINER - MASTER LINK - #212 - 18	1
19	4246171	SPROCKET - DRIVE - ELEVATOR	2
20	4731101	WASHER - .265 I.D.X 1.00 O.D.X	1
21	9900043	NUT 1/4 - 20 HEX ZINC PLATE	1
22	9900437	RETAINING RING REINF E TYP.3	1
23	4731097	CHAIN - ELEVATOR - #211 - 1853	1
24	2221049	WIRE CLAMP .302 DIA	3
25	1451097	SCREW - #8 - 32X.31 HEX HD.TF - BL	3
26	4731096	HARNESS - BREWER HOUSING	1
27	4731095	BUSHING - MOTOR	1
28	9900164	NUT #10 - 32 KEPS ZINC PLATE	4
29	4731280	HOUSING & BUSHING ASSEMBLY	1
30	2204093	WASHER - SCAVENGER BAR	4

**THE FOLLOWING ARE AVAILABLE AS ASSEMBLIES:**

4731103	MOTOR & PIN ASSEMBLY (CONSISTS OF INDEX NUMBERS 1, 14, AND 27)
4731281	HOUSING ASSEMBLY-BREWER DRIVE (CONSISTS OF INDEX NUMBERS 4 AND 29)
4731092	SWITCH & PLATE ASSEMBLY (CONSISTS OF INDEX NUMBERS 9 - 12)



157p0095

Figure 83. Brewer Assembly - No Filter



# Refreshment Center 3 Parts Manual

**TABLE 83. BREWER ASSEMBLY - NO FILTER**

INDEX	PART NUMBER	DESCRIPTION	QTY.
-	6204216	BREWER ASSEMBLY - NO FILTER	1
-	3614011	BREWER ASSEMBLY - COMMON (INCLUDES ALL ITEMS EXCEPT INDEX 42)	1
1	6134112	BRACKET - REAR SPACER	1
2	3614004	TEA DEFLECTOR	1
3	6134123	CHANNEL - BARREL SUPPORT	1
4	6104122	LEVER ASSEMBLY - FUNNEL MOUNT	1
5	6134104	STUD - PIVOT	3
6	6104386	LEVER ASSEMBLY - BASKET (SEE FIGURE 85 FOR DETAILS)	1
7	6104126	STOP - BASKET TRAVEL LEVER	1
8	6134102	CAM - BASKET ROLLER	1
9	6134157	STOP - ADJUSTABLE BREWER	1
10	6234225	SPRING - BREWER	2
11	6104410	SCREW #10-32 X 1/4 PHS W/LW SS	14
12	6104409	SCREW #10-32 X 1/2 PHS W/LW SS	4
13	6134167	FRAME ASSEMBLY - RIGHT SIDE	1
14	6134160	NUT # 1/4-20 HEX	1
15	6134105	BUSHING - FRAME	2
16	6134161	LOCKWASHER - 1/4 EXT TOOTH	1
17	6234289	LOCKNUT - #1/4-20	2
18	6134199	WARNING LABEL - BREWER COVER REMOVAL - ENGLISH	1
19	4754002	LATCH - BREWER	1
21	4754003	STUD - RETAINER - BREWER	1
20	9900208	SPRING WASHER .625 X.280 X.006	1
22	3106215	NUT #8-32 STAINLESS	1
23	6134163	PUSH NUT .500	2
24	6134195	SPACER - BUSHING	1
25	6104464	GEAR DRIVE - FILTER TAPE	2
26	6104216	ROLL PIN	1
27	6104201	FUNNEL CAM ASSEMBLY	1
28	6104462	GROOVE PIN	4
29	6104204	BASKET TRAVEL CAM ASSEMBLY	1
30	6134119	BRACKET - SPRING - FRONT SPACER	1
31	6104129	EXTENSION SPRING - FUNNEL BASKET TRAVEL LEVERS	2
32	6104163	EXTENSION SPRING - FLIP LEVER	1
33	6224106	CAM ASSEMBLY - FLIP	1
34	6134122	SHAFT - CAM	1
35	6104428	BASKET ASSEMBLY - BREWER 230 MESH (SEE FIGURE 84 FOR DETAILS)	1
36	6134120	BRACKET - FRONT SPACER	1

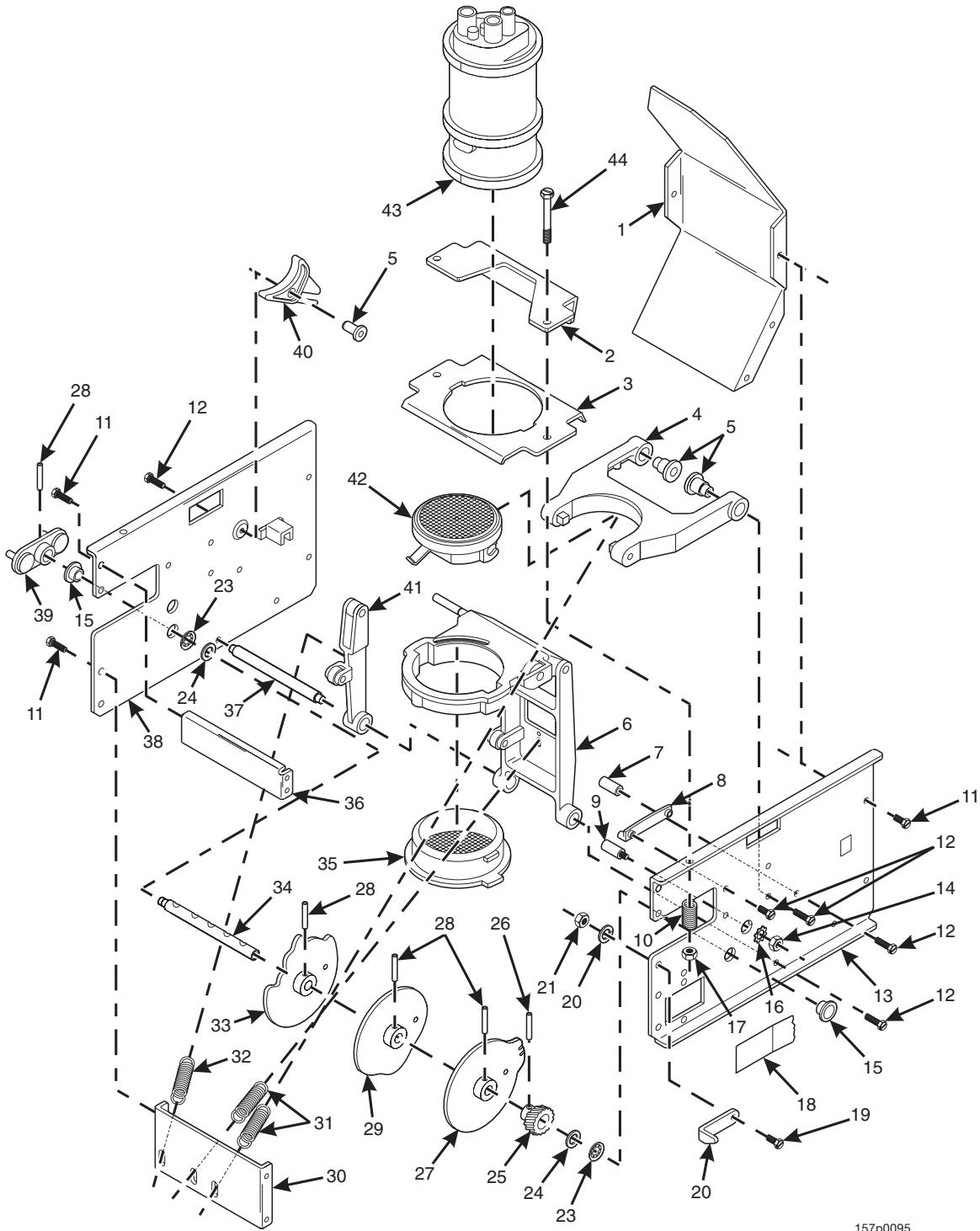


Figure 81. Blower and Mounting Assembly (Continued)

**TABLE 83. BREWER ASSEMBLY - NO FILTER (CONTINUED)**

INDEX	PART NUMBER	DESCRIPTION	QTY.
37	6104165	SHAFT - LEVER	1
38	6134111	FRAME ASSEMBLY - LEFT SIDE	1
39	6134127	ARM ASSEMBLY - COUPLING	1
40	6134101	LEVER - FLIP	1
41	6104101	FLIP LEVER ASSEMBLY	1
42	6134187	FUNNEL ASSEMBLY - 30 MESH SCREEN (SEE FIGURE 86 FOR DETAILS)	1
43	6134151	BARREL ASSEMBLY - BREWER (SEE FIGURE 87 FOR DETAILS)	1
44	6234288	BOLT - 1/4-20X1 1/2	2

**THE FOLLOWING ARE AVAILABLE AS ASSEMBLIES:**

6134149	FRAME ASSEMBLY - R H - BREWER - TAPELESS (INCLUDES INDEX NUMBERS 8 - 10, 14 - 17, 26, 27)
6224105	SHAFT ASSEMBLY - CAM (INCLUDES INDEX NUMBERS 24, 26 - 30, 34, 35)
6134179	FRAME & FLIP LEVER ASSEMBLY - LH - BREWER (INCLUDES INDEX NUMBERS 6, 11, 13, 14, 39, 25, 41)

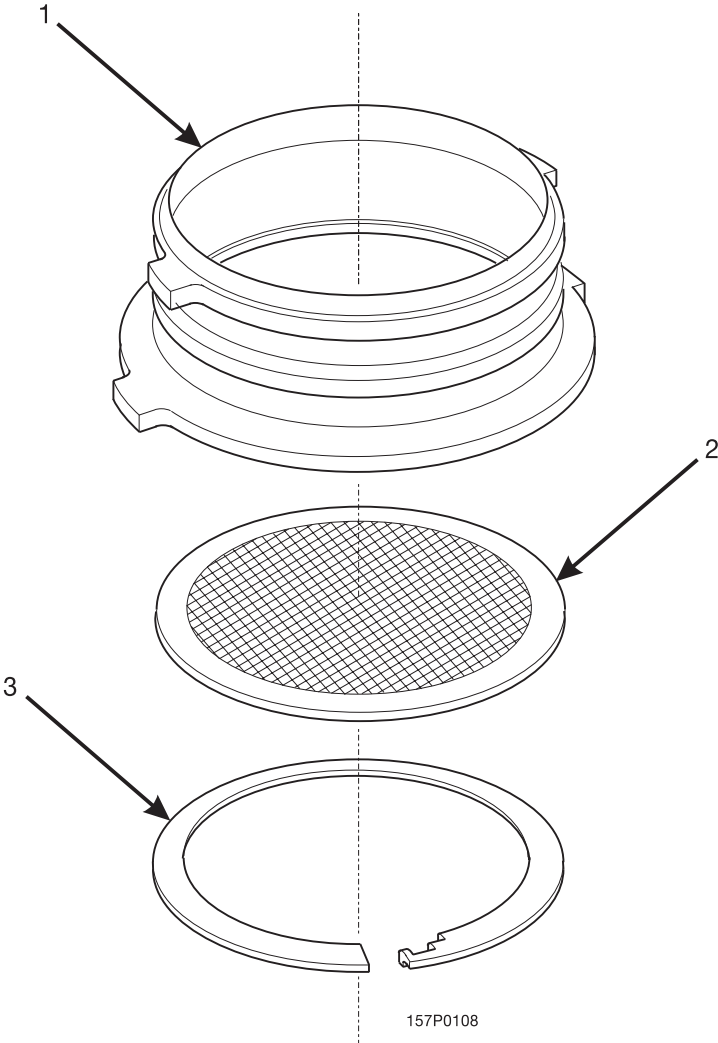


Figure 84. Brewer Basket Assembly

# Refreshment Center 3 Parts Manual

**TABLE 84. BREWER BASKET ASSEMBLY**

<b>INDEX</b>	<b>PART NUMBER</b>	<b>DESCRIPTION</b>	<b>QTY.</b>
-	6104428	BASKET ASSEMBLY - BREWER - 230 MESH	-
1	6104439	BASKET - BREW	1
2	6114015	SCREEN ASSEMBLY - BREW	1
3	6104438	SPRING - SCREEN RETAINER	1

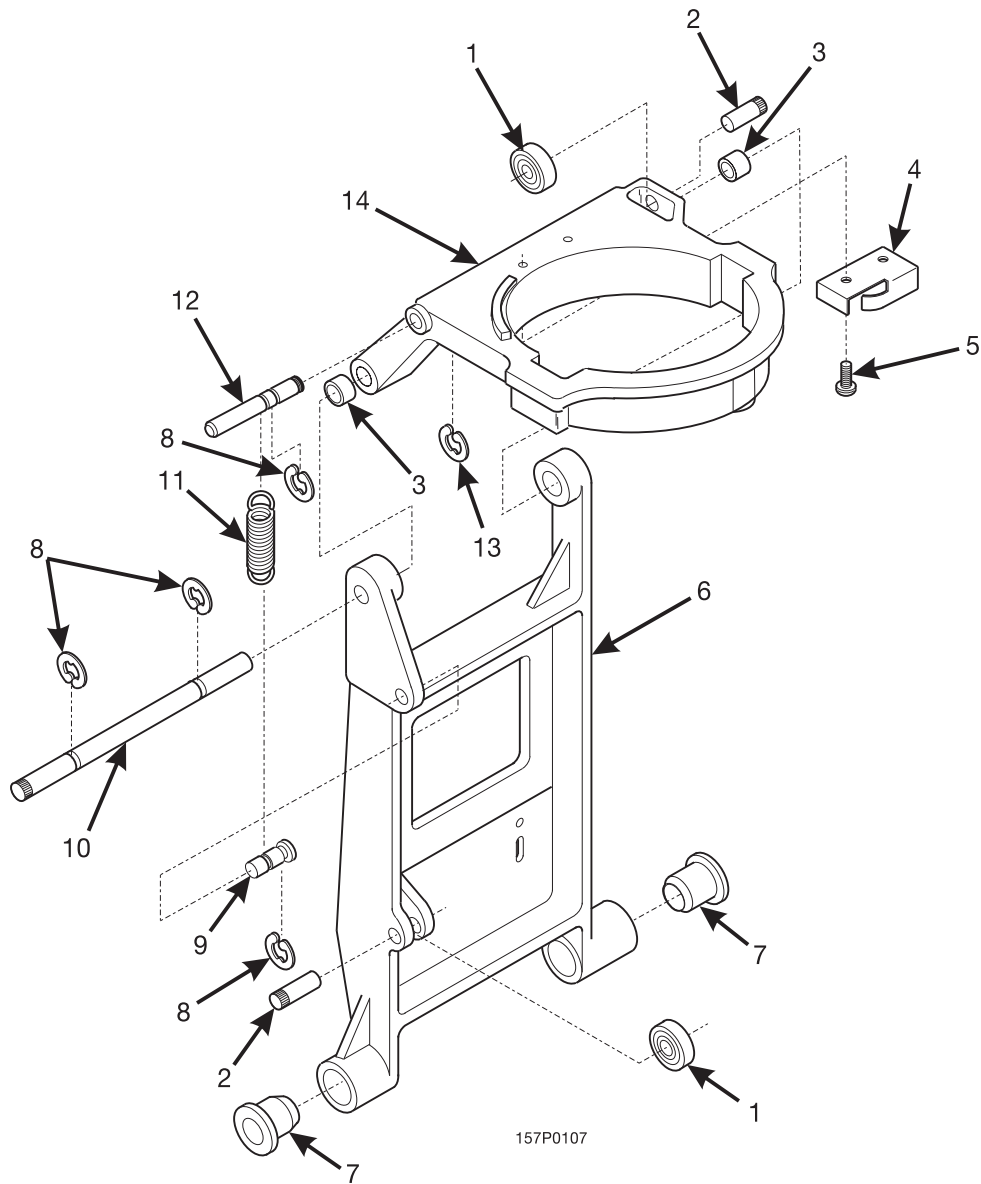


Figure 85. Basket Lever Assembly

**TABLE 85. BASKET LEVER ASSEMBLY**

INDEX	PART NUMBER	DESCRIPTION	QTY.
-	6104386	BASKET LEVER ASSEMBLY	1
1	6104019	ROLLER ASSEMBLY	2
2	6104104	PIN - ROLLER	2
3	6104021	BUSHING - SHUTTER ROLLER	2
4	6104384	STOP - LOWER HALF BREW BASKET	1
5	6204211	SCREW - #6-32 X 1/4 PHS T/C SS	2
6	6134293	LEVER - BASKET TRAVEL	1
7	6104472	BUSHING - BASKET TRAVEL LEVER #D238	2
8	3103029	WALDES TRUARC RING	4
9	6134065	POST - SPRING - SHORT	1
10	6104115	SHAFT - PIVOT - BASKET LEVERS	1
11	6104111	SPRING - EXTENSION - BREW BASKET LEVERS	1
12	6134064	POST - SPRING - LONG	1
13	6134063	RETAINING RING - CRESENT 1/4	1
14	6104387	LEVER - BREW BASKET	1

**THE FOLLOWING ARE AVAILABLE AS ASSEMBLIES:**

6134180	LEVER ASSEMBLY - BASKET TRAVEL (INCLUDES INDEX NUMBERS 1, 2, 7, 8, 9, 13)
6134181	LEVER ASSEMBLY - BREW BASKET (INCLUDES INDEX NUMBERS 1-5, 8, 12-14)

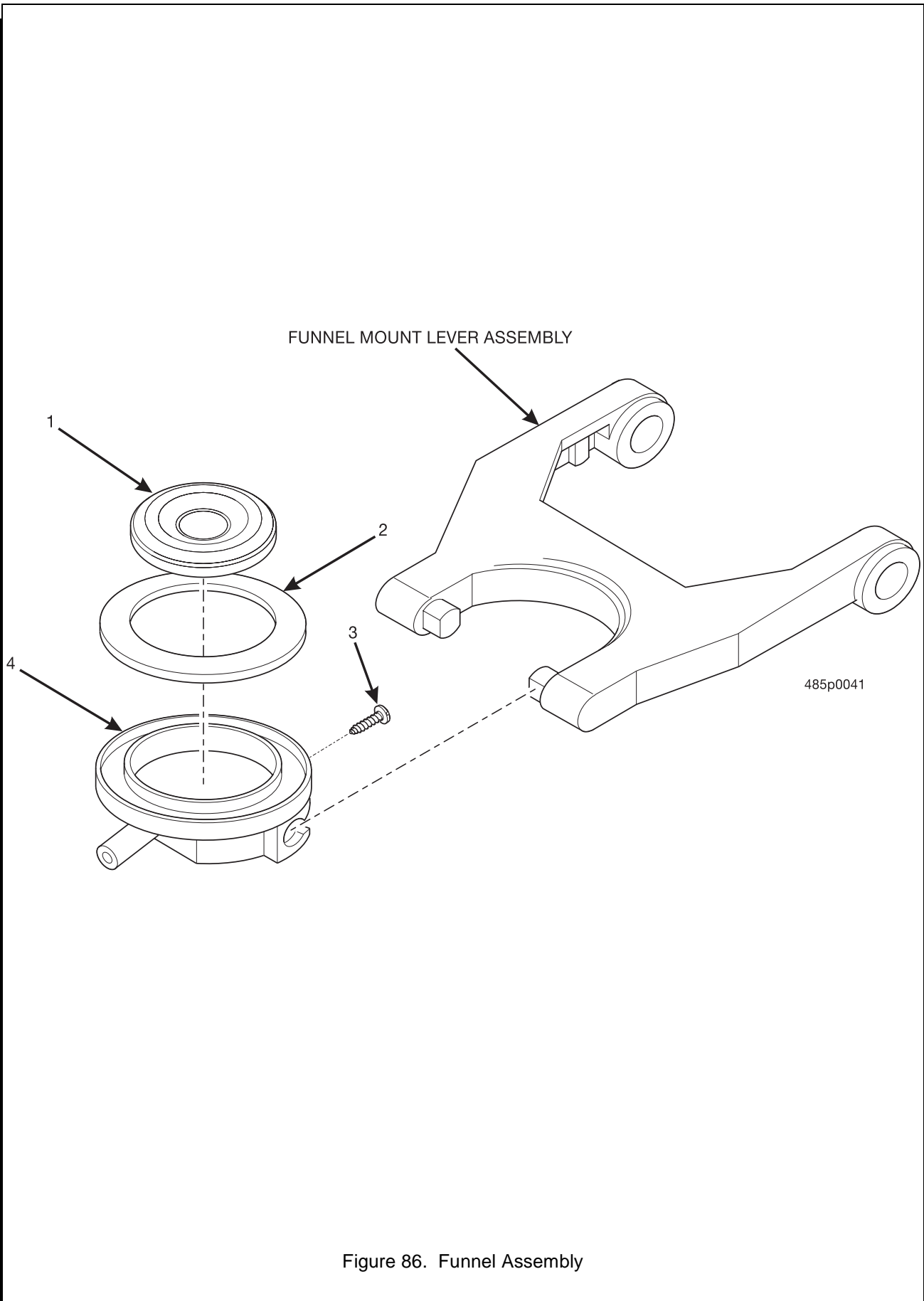


Figure 86. Funnel Assembly



# Refreshment Center 3 Parts Manual

**TABLE 86. FUNNEL ASSEMBLY**

<b>INDEX</b>	<b>PART NUMBER</b>	<b>DESCRIPTION</b>	<b>QTY.</b>
-	6134187	FUNNEL ASSEMBLY - 30 MESH SCREEN	1
1	6334019	FILTER SUPPORT - 30 MESH	1
2	6234375	SEAL - BREWER	1
3	6204211	SCREW - #6-32 X 1/4 PHS T/C SS	1
4	6204240	FUNNEL - COFFEE	1

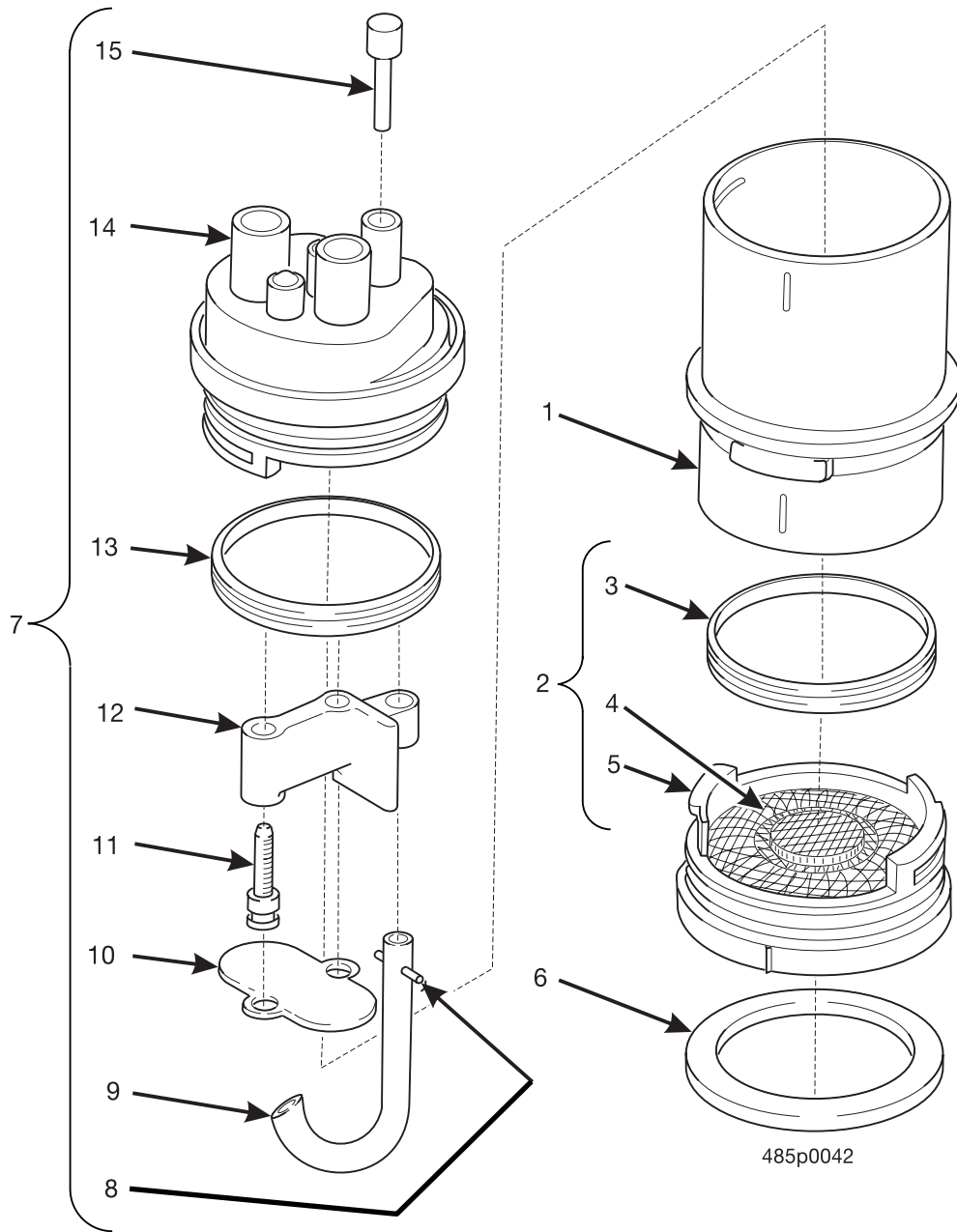


Figure 87. Brewer Barrel Assembly

# Refreshment Center 3 Parts Manual

**TABLE 87. BREWER BARREL ASSEMBLY**

INDEX	PART NUMBER	DESCRIPTION	QTY.
-	6134151	BREWER BARREL ASSEMBLY	1
1	6104184	BREWER BARREL	1
2	6104190	BREW BARREL - LOWER INSERT ASSEMBLY (INCLUDES INDEX NUMBERS 3-5)	1
3	6104193	QUAD RING SEAL	2
4	6134286	SCREEN - BREWER BARREL	1
5	6104181	LOWER INSERT - BREWER BARREL	1
6	6234375	SEAL - BREWER	1
7	6134152	MANIFOLD ASSEMBLY - HOSE - BREWER BARREL (INCLUDES INDEX NUMBERS 8-15)	1
8	6106107	ROLL PIN	1
9	6134197	TUBE - AIR JET	1
10	6204229	DEFLECTOR - MANIFOLD	1
11	6134173	SCREW - SHOULDER	2
12	6134155	MANIFOLD - BREWER BARREL	1
13	6104193	QUAD RING SEAL - LOWER BREWER INSERT	1
14	6134178	MANIFOLD & INSERT ASSEMBLY - BREWER	1
15	6134192	PLUG - BREWER MANIFOLD	1

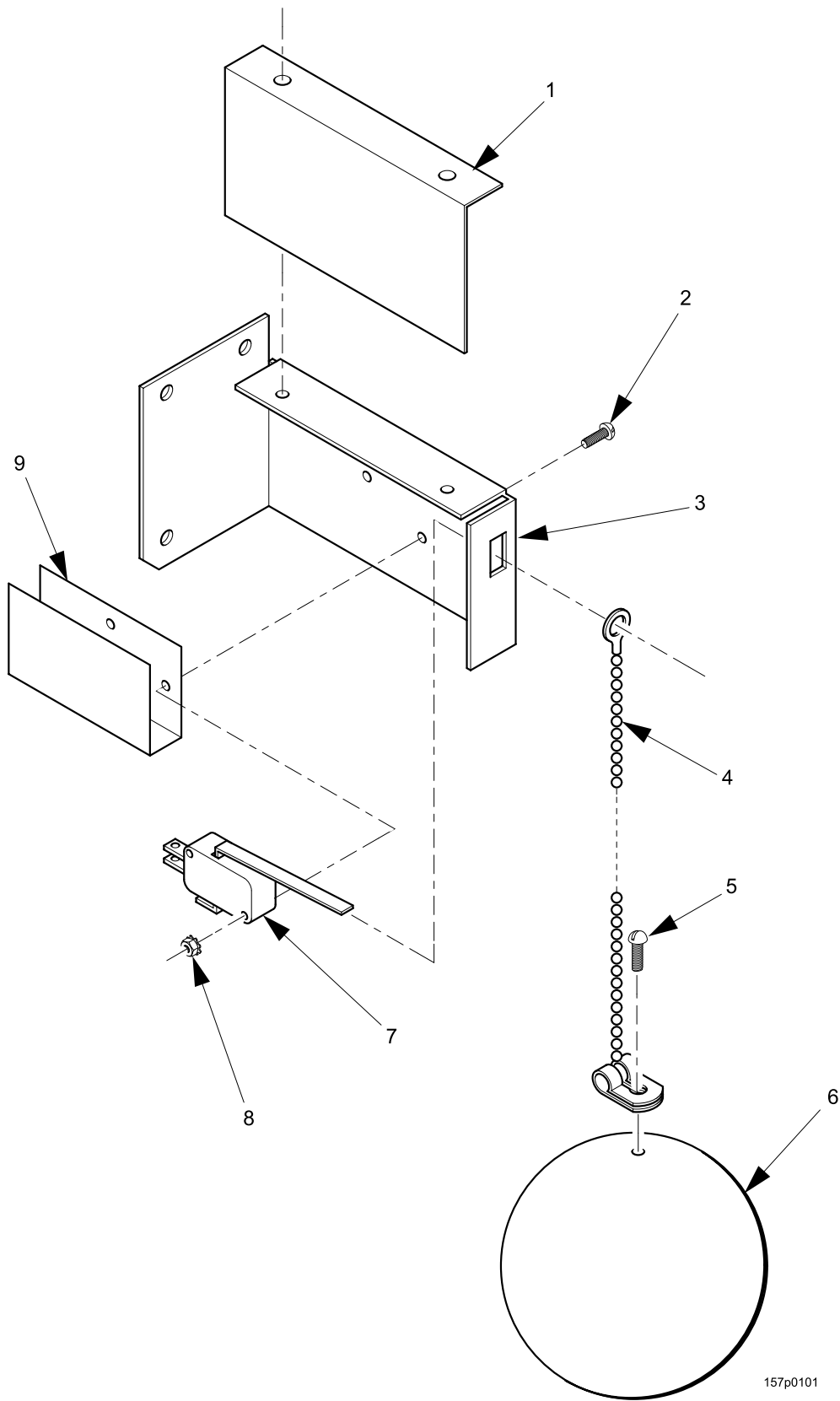


Figure 88. Overflow Switch Assembly

157p0101

**TABLE 88. OVERFLOW SWITCH ASSEMBLY**

INDEX	PART NUMBER	DESCRIPTION	QTY.
-	4731158	OVERFLOW SWITCH ASSEMBLY	1
1	3116123	BRACKET ASSEMBLY - OVERFLOW SWITCH	1
2	1217160	4-40 X 5/8 RHS M SCREW Z/Y	2
3	3121150	INSULATION - OVERFLOW SWITCH	1
4	2304108	SWITCH LEVER V3L-131-D8	1
5	1217159	4-40 KEPS W/EXT L/WAS H ZP	2
6	4731159	CHAIN - OVERFLOW SWITCH	1
7	4047054	SCREW #8 18X1/2 RHS T/C	1
8	3116127	FLOAT - OVERFLOW SWITCH	1
9	3116126	COVER - OVERFLOW SWITCH	1

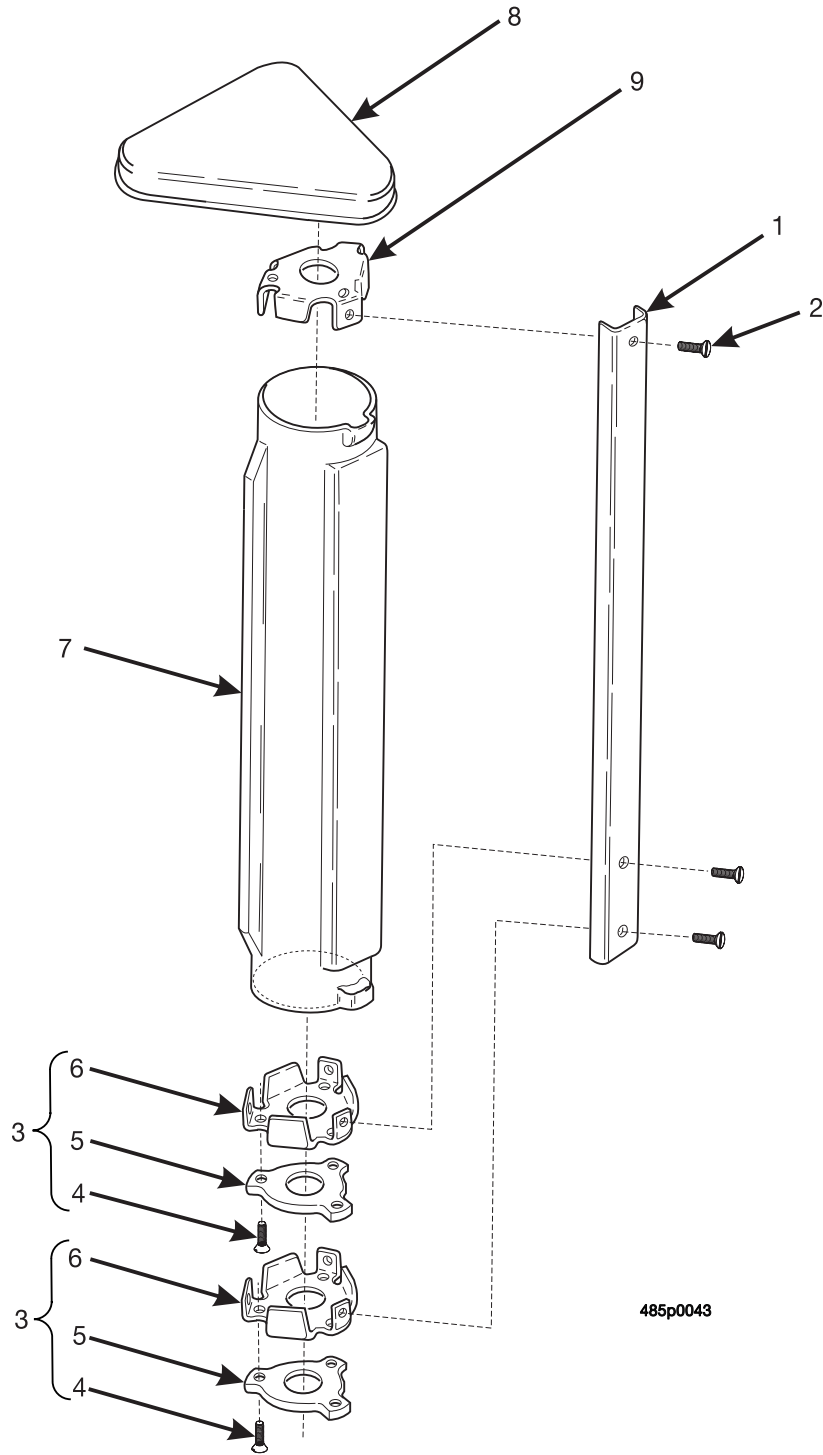


Figure 89. Cup Turret Assembly

# Refreshment Center 3 Parts Manual

**TABLE 89. CUP TURRET ASSEMBLY**

INDEX	PART NUMBER	DESCRIPTION	QTY.
-	4733025	CUP TURRET ASSEMBLY	1
1	4733026	CHANNEL - CUP TURRET	3
2	1451097	SCREW - #8-32 X .31 HEX HD T/F - BLK	9
3	4733037	BUSHING AND PLATE ASSEMBLY	2
4	1451097	SCREW #8-32 X .31 HD - T/F - BLACK	3
5	4733020	BUSHING - TURRET SHAFT	1
6	4733027	PLATE - CUP TURRET	1
7	3123146	TUBE - CUP	3
8	4733028	COVER - CUP TURRET	1
9	4733027	PLATE - CUP TURRET	1

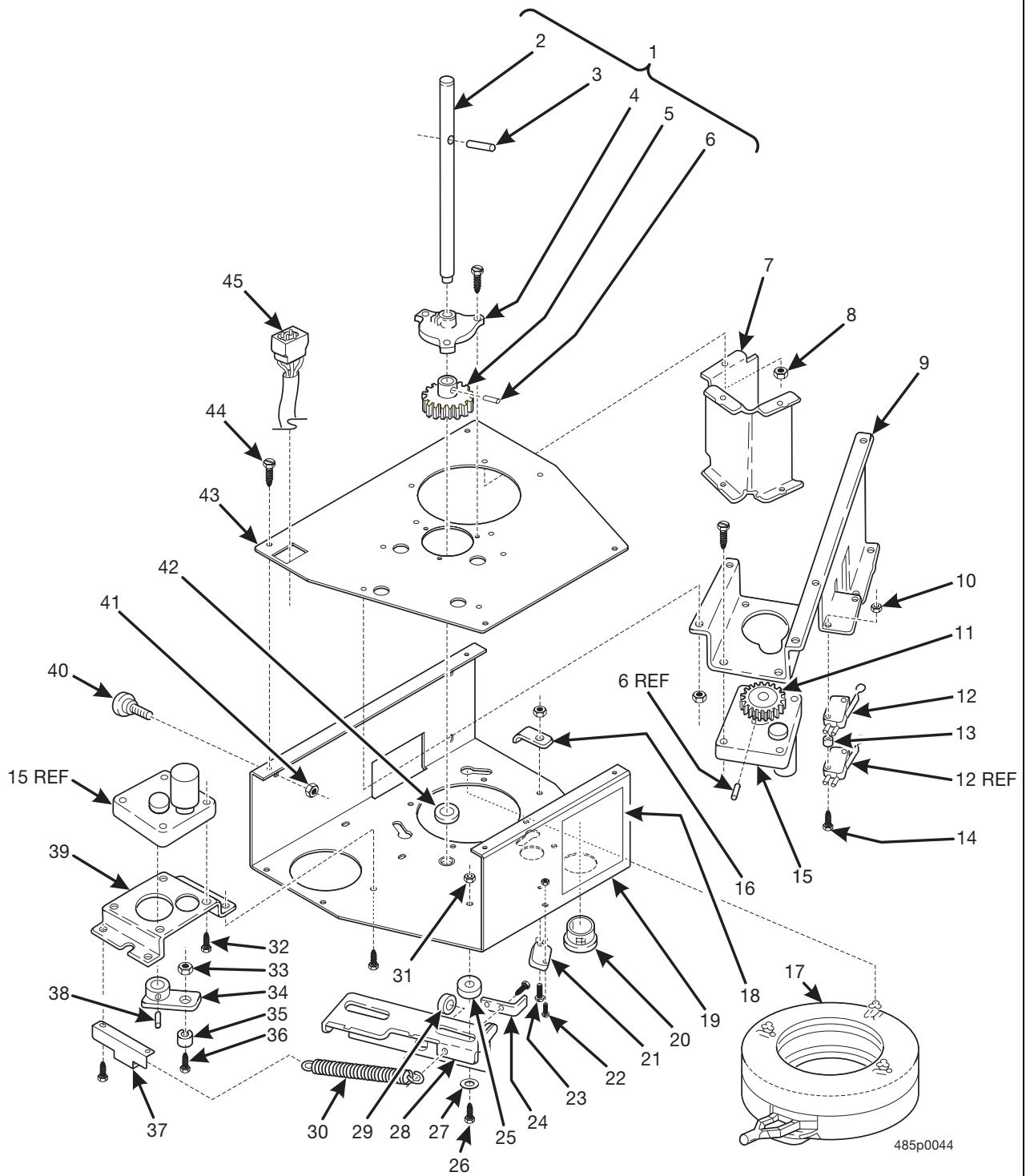


Figure 90. Cup Dispenser Assembly



# Refreshment Center 3 Parts Manual

**TABLE 90. CUP DISPENSER ASSEMBLY**

INDEX	PART NUMBER	DESCRIPTION	QTY.
-	4853009	CUP DISPENSER ASSEMBLY	1
1	4733019	SHAFT AND GEAR ASSEMBLY (INCLUDES INDEX NUMBERS 7-11)	1
2	4733018	SHAFT - TURRET	1
3	3127034	PIN - ROLL - 1/8 X 13/16	1
4	4733020	BUSHING - TURRET SHAFT	1
5	4733017	GEAR - TURRET SHAFT	1
6	1306519	PIN - ROLL - 3/32 X 3/4	2
7	4733004	GUIDE - FRONT - CUP DISPENSER	1
8	9900081	NUT #8-32, KEPS, ZINC PLATED	9
9	4733003	GUIDE - REAR - CUP DISPENSER	1
10	1217159	NUT #4-40 KEPS	4
11	4733009	GEAR - MOTOR	1
12	3113008	SWITCH ASSEMBLY	2
13	1127806	ROLLER	2
14	3113003	SCREW #4-40 X 1-1/4 RHS	2
15	4733008	MOTOR	2
16	3103016	SEPARATOR LOCK - CUP	1
17	3143005	RING ASSEMBLY - CUP	1
18	4751042	LABEL - CUP TURRET - LOADING	1
19	4853001	PLATE - BOTTOM - CUP DISPENSER	1
20	4021063	BUSHING	1
21	9984632	SWITCH - BASIC	1
22	1217160	SCREW #4-40 X 5/8 RHS	2
23	9900019	SCREW #8-32	1
24	4733014	ANGLE - CUP RELEASE ARM	1
25	4733010	BUSHING - RELEASE ARM - CUP RING	1
26	1277102	SCREW #10-32 X 5/8, RHS, SEMS, EXT, ZINC PLATED	2
27	4733011	WASHER, RELEASE ARM BUSHING	1
28	4733013	ARM - RELEASE - CUP RING	1
29	3143004	BUSHING	1
30	4733035	SPRING - RELEASE ARM - CUP RING	1
31	9900164	NUT #10-32, KEPS, ZINC PLATED	5
32	1217161	SCREW #10-32 X 1/2, RHS, SEMS, EXT, ZINC PLATED	8
33	1407048	NUT - #10-32, M/F, ZINC PLATED	1
34	4733022	CAM AND BUSHING ASSEMBLY	1
35	4733040	ROLLER ASSEMBLY - RELEASE ARM CAM	1
36	3172043	SCREW - SHOULDER	1

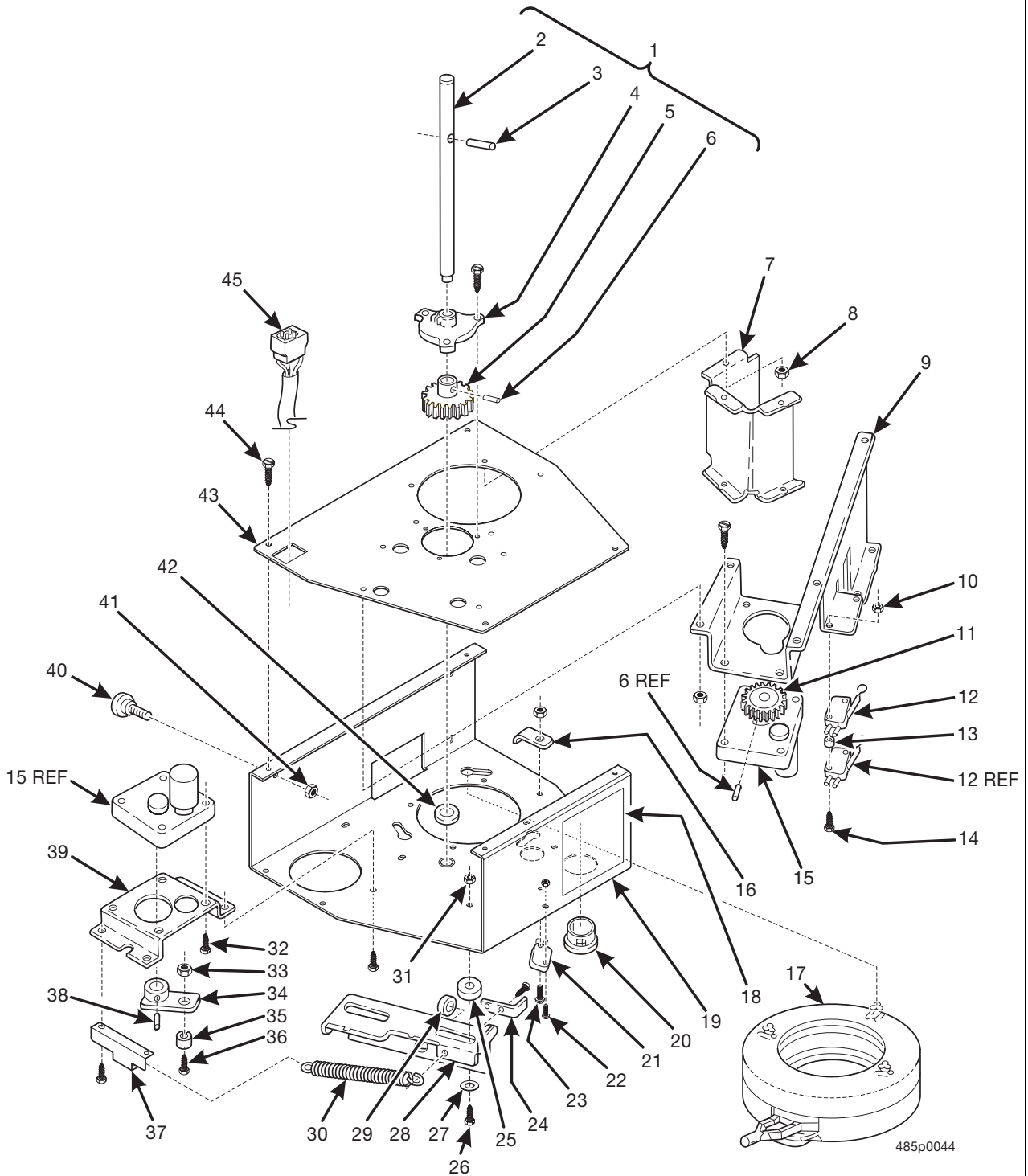
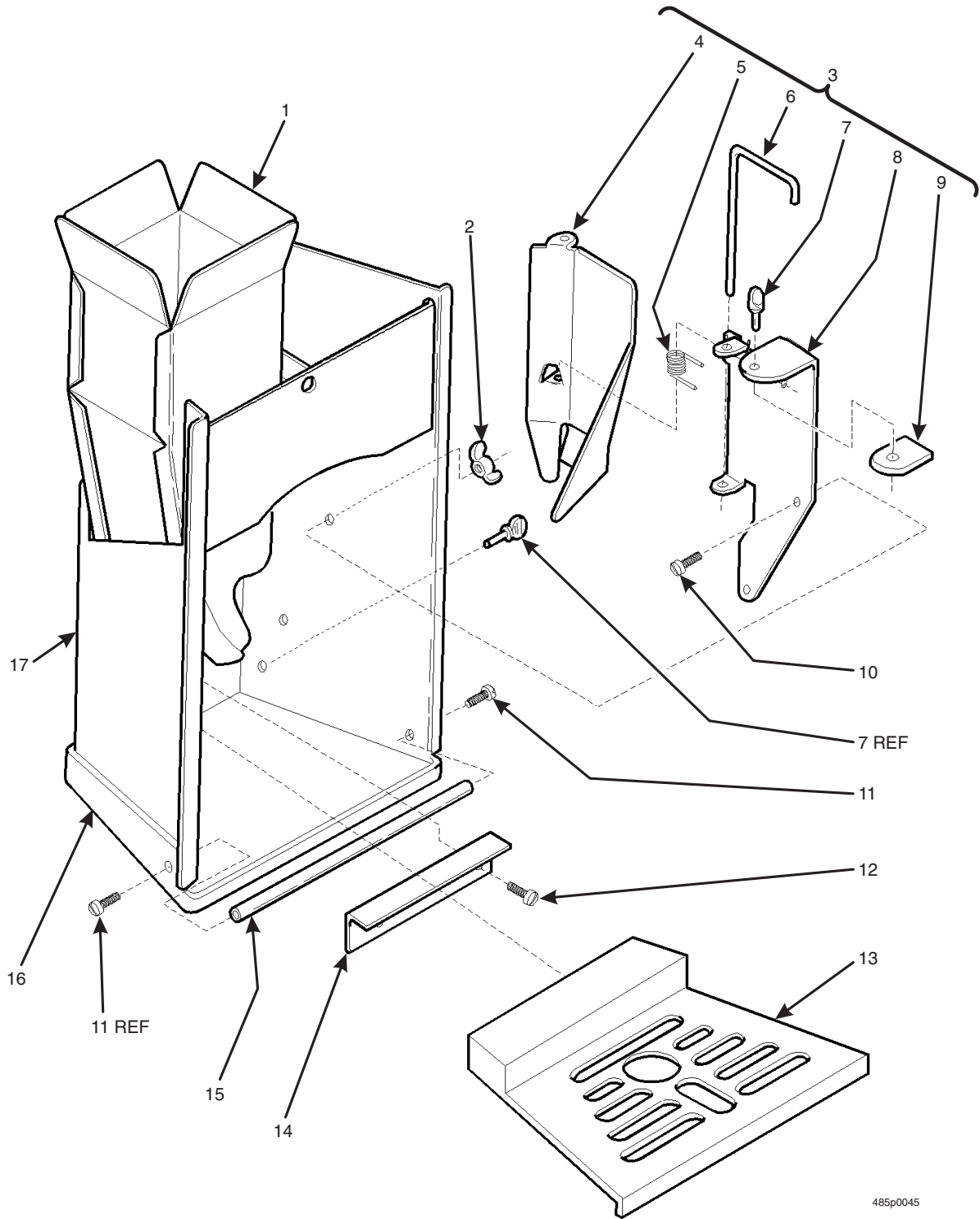


Figure 90. Cup Dispenser Assembly (Continued)

**TABLE 90. CUP DISPENSER ASSEMBLY (CONTINUED)**

INDEX	PART NUMBER	DESCRIPTION	QTY.
38	6107020	PIN - ROLL - 3/32 X 13/16	1
39	4853002	BRACKET - MOTOR MOUNTING	1
40	4733005	STUD - MOUNTING - CUP TURRET	1
41	9900164	NUT #10-32, KEPS, ZINC PLATED	5
42	4242145	BEARING - THRUST - LOWER HINGE	1
43	4853004	TOP PLATE AND STUD ASSEMBLY	1
44	1451097	SCREW #8-32 X 5/16, HEX HD, T/F, BLACK	18
45	4833039	HARNESS - CUP DISPENSER	1



485p0045

Figure 91. Cup Station Assembly

## Refreshment Center 3 Parts Manual

**TABLE 91. CUP STATION ASSEMBLY**

INDEX	PART NUMBER	DESCRIPTION	QTY.
-	4731152	CUP STATION ASSEMBLY	-
1	4731150	CUP CHUTE WELD ASSEMBLY	1
2	3103133	WING NUT #8-32, STAINLESS	2
3	3103103	DEFLECTOR ASSEMBLY - CUP (INCLUDES INDEX NUMBERS 4-9)	1
4	3103106	DEFLECTOR - CUP - PIVOTED	1
5	3103105	SPRING - PIVOT BAR - CUP HOLDER	1
6	3103104	BAR - PIVOT - CUP HOLDER	1
7	6104051	THUMB SCREW #10-32 X 1/2	2
8	3103107	BRACKET - CUP DEFLECTOR	1
9	3103108	LOCKING BAR - CUP HOLDER	1
10	3123134	SCREW - #8-32 X 3/8, THS, UNSLOTTED, STAINLESS	2
11	6114118	SCREW - #6-32 X 7/16 PHS W/LW - SS	2
12	3104125	SCREW - #8-32 X 1/4, PHS, STAINLESS	5
13	4731326	GRILL - CUP COMPARTMENT	1
14	4731023	SUPPORT - GRILL - CUP STATION	1
15	4731024	SPACER - CUP STATION	1
16	4731001	BASE - CUP STATION	1
17	4731151	CUP STATION WELD ASSEMBLY	1

# Refreshment Center 3 Parts Manual

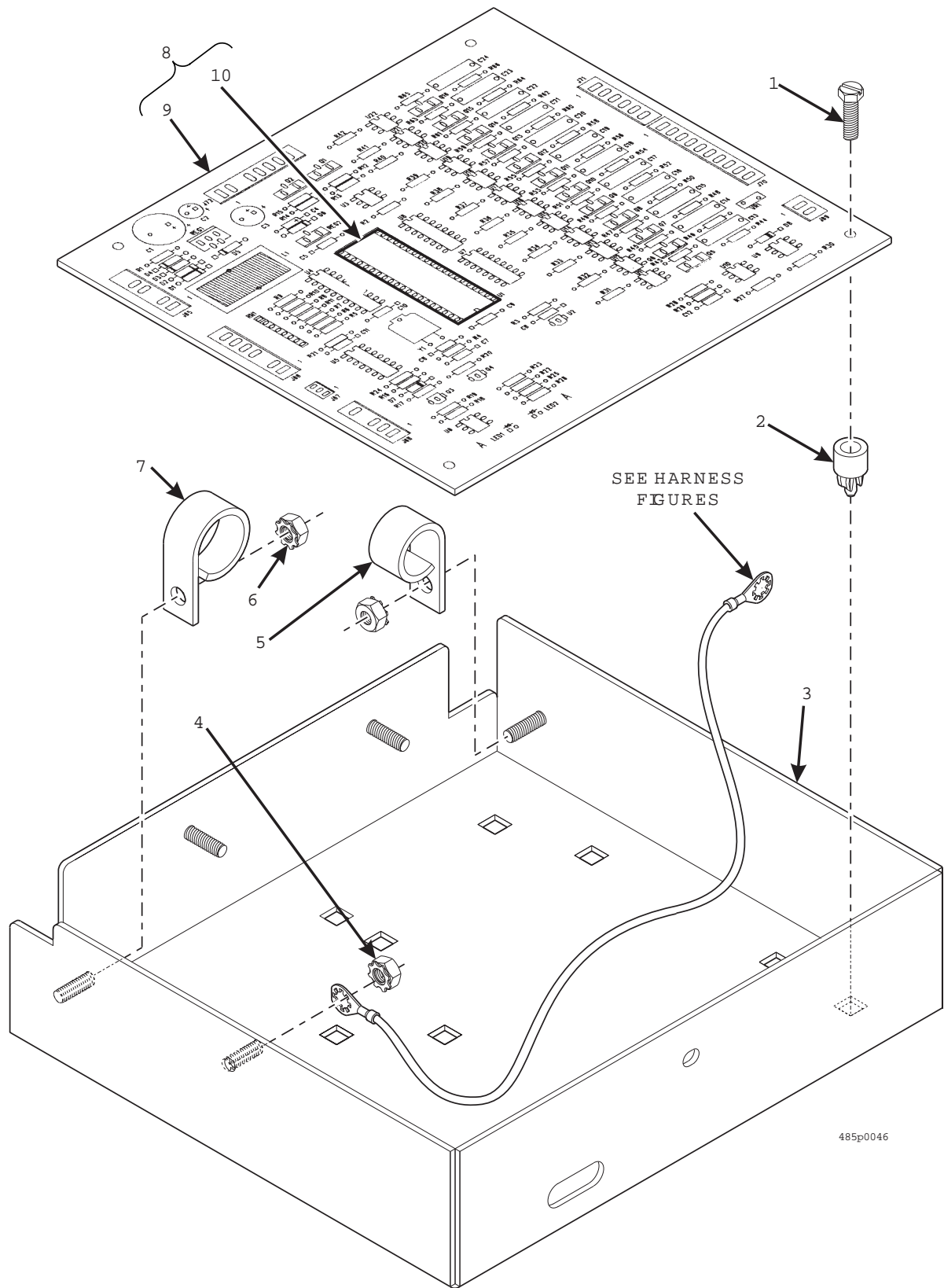


Figure 92. Cover and PCB Assembly

## Refreshment Center 3 Parts Manual

**TABLE 92. COVER AND PCB ASSEMBLY**

INDEX	PART NUMBER	DESCRIPTION	QTY.
-	4851049	COVER AND PCB ASSEMBLY - COFFEE	1
1	1471199	SCREW - #8-18 X .62 HEX/WH.	4
2	1571034	STANDOFF - PCB-3/8 SCREW MOUNT	10
3	4851031	COVER ASSEMBLY - PCB - COFFEE	1
4	9900081	NUT - #8-32 KEPS ZINC PLATE	1
5	4732024	RETAINER - HARNESS	1
6	9900081	NUT #8-32 KEPS ZINC PLATE	2
7	4751060	RETAINER - HARNESS	1
8	4856003	CABINET CONTROLLER - WITH PROGRAMMED EPROM	1
9	7856000	PCB ASSEMBLY - RC3 - COFFEE MODULE - 115V	1
	4516001	PCB ASSEMBLY - RC3 - COFFEE MODULE - 230V	
10	SEE LABEL	IC ASSEMBLY	1

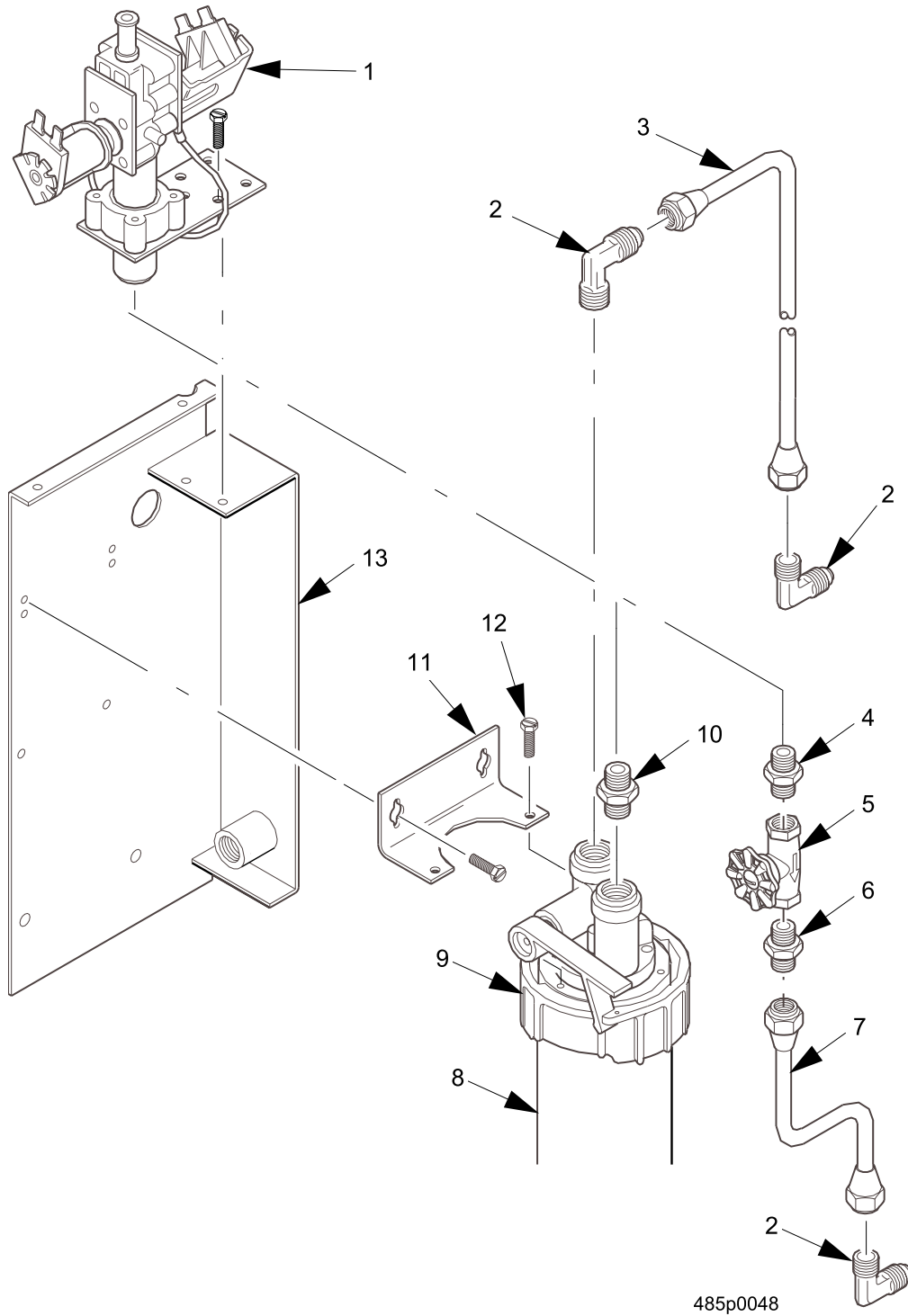


Figure 93. Water Inlet Assembly - No Filter Option/Everpure Option



## Refreshment Center 3 Parts Manual

<b>TABLE 93. WATER INLET ASSEMBLY - NO FILTER OPTION/EVERPURE OPTION</b>			
<b>INDEX</b>	<b>PARTNUMBER</b>	<b>DESCRIPTION</b>	<b>QTY.</b>
-	4751034	INLET & VALVE ASSEMBLY - NO FILTER OPTION (INCLUDES INDEX NUMBERS 1-7)	1
-	4751036	FILTER HEAD AND BRACKET ASSEMBLY - WITH EVERPURE FILTER OPTION (INCLUDES INDEX NUMBERS 1, 2, 9-14)	1
-	1451097	SCREW - #8-32X.31 HEX HD. TF - BLK.	2
-	9900163	SCREW #10-32 X 5/8 RHS T/C	2
-	-	NO FILTER OPTION (INCLUDES INDEX NUMBERS 3 - 6)	OPT
1	3108045	VALVE WI VAL K19146 N/42	1
2	4711007	COUPLING & BRACKET ASSEMBLY	1
3	6108082	REDUCING NIPPLE 1/4 IPS TO 3/8 IPS	1
4	3108048	VALVE WATER - CONBRACO #57-001-01 1/4" GLOBE VALVE	1
5	3128151	CONNECTOR - MALE - COUPLINGS 48CC, PH#48F-4-4, MALE 1/4 SAE FLX1/4	1
6	4731172	TUBE ASSEMBLY - CABINET TO STRAINER	1
7	3128150	ELBOW - MALE - COUPLINGS #49CE 1/4 SAE FLX 3/8 NPTF, P#149F-6-6	1
8	9900163	SCREW #10-32 X 5/8 RHS T/C	-
9	6151037	TUBE ASSEMBLY - CABINET TO STRAINER	1
10	3128150	ELBOW - MALE - COUPLINGS #49CE 1/4 SAE FLX 3/8 NPTF, P#149F-6-6	2
11	3608201	NIPPLE - 3/8 NPTF - HEX #216P-6	1
12	6118071	CARTRIDGE - WATER FILTER - 9611-00-4H - EVERPURE	1
13	3158022	HEAD - WATER FILTER - 9267-12 QC4	1
14	3158023	BRACKET - MOUNTING - WATER FILTER #3046-44	1

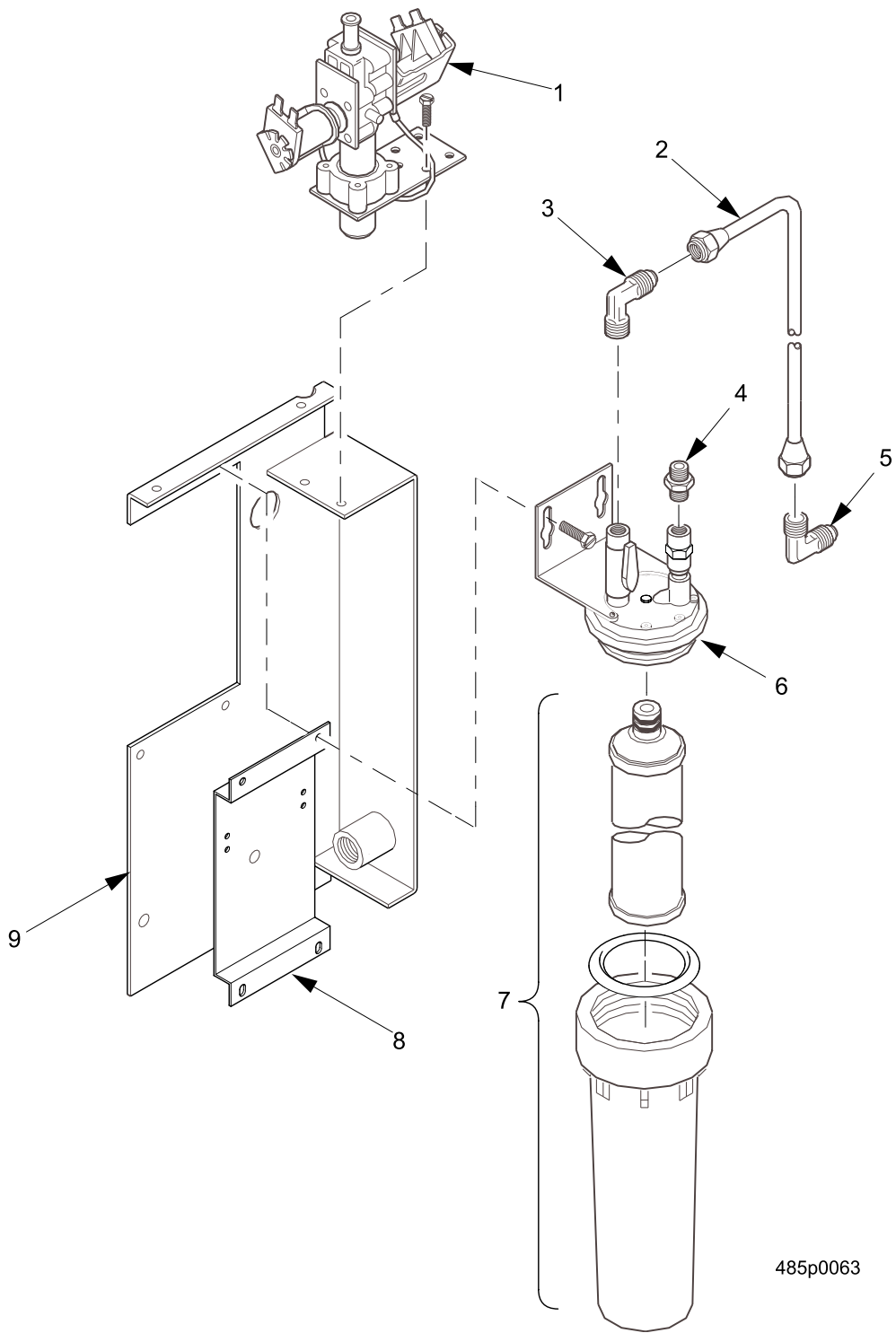
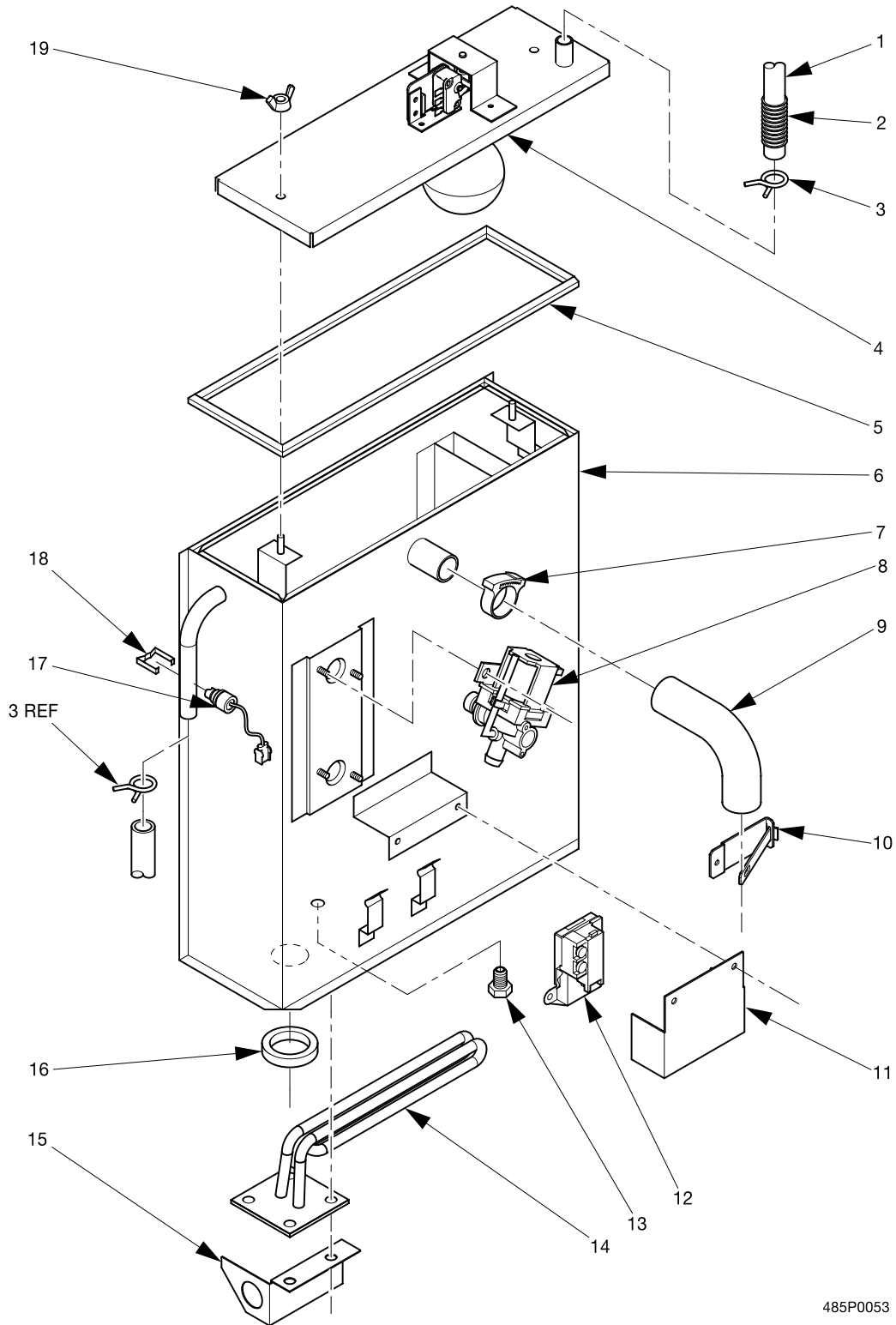


Figure 94. Water Inlet Assembly - Hydrolife Option

# Refreshment Center 3 Parts Manual

**TABLE 94. WATER INLET ASSEMBLY - HYDROLIFE OPTION**

<b>INDEX</b>	<b>PARTNUMBER</b>	<b>DESCRIPTION</b>	<b>QTY.</b>
1	3108045	VALVE K19146 N-42	1
2	4711007	COUPLING AND BRACKET ASSEMBLY	1
3	6151037	TUBE ASSEMBLY - CAB TO STRAINER	1
4	3128150	ELBOW - MALE COUPLING #49CE	2
5	3608201	NIPPLE - 3/8 NPTF - HEX #216P-6	1
6	6338027	HEAD AND BRACKET ASSEMBLY - HLV192-G6710	1
7	6408028	HOUSING - CARTRIDGE AND "O" RING - HLV192H	1
8	4781002	BRACKET - FILTER MOUNTING	1
9	4781003	COUPLING AND BRACKET ASSEMBLY	1



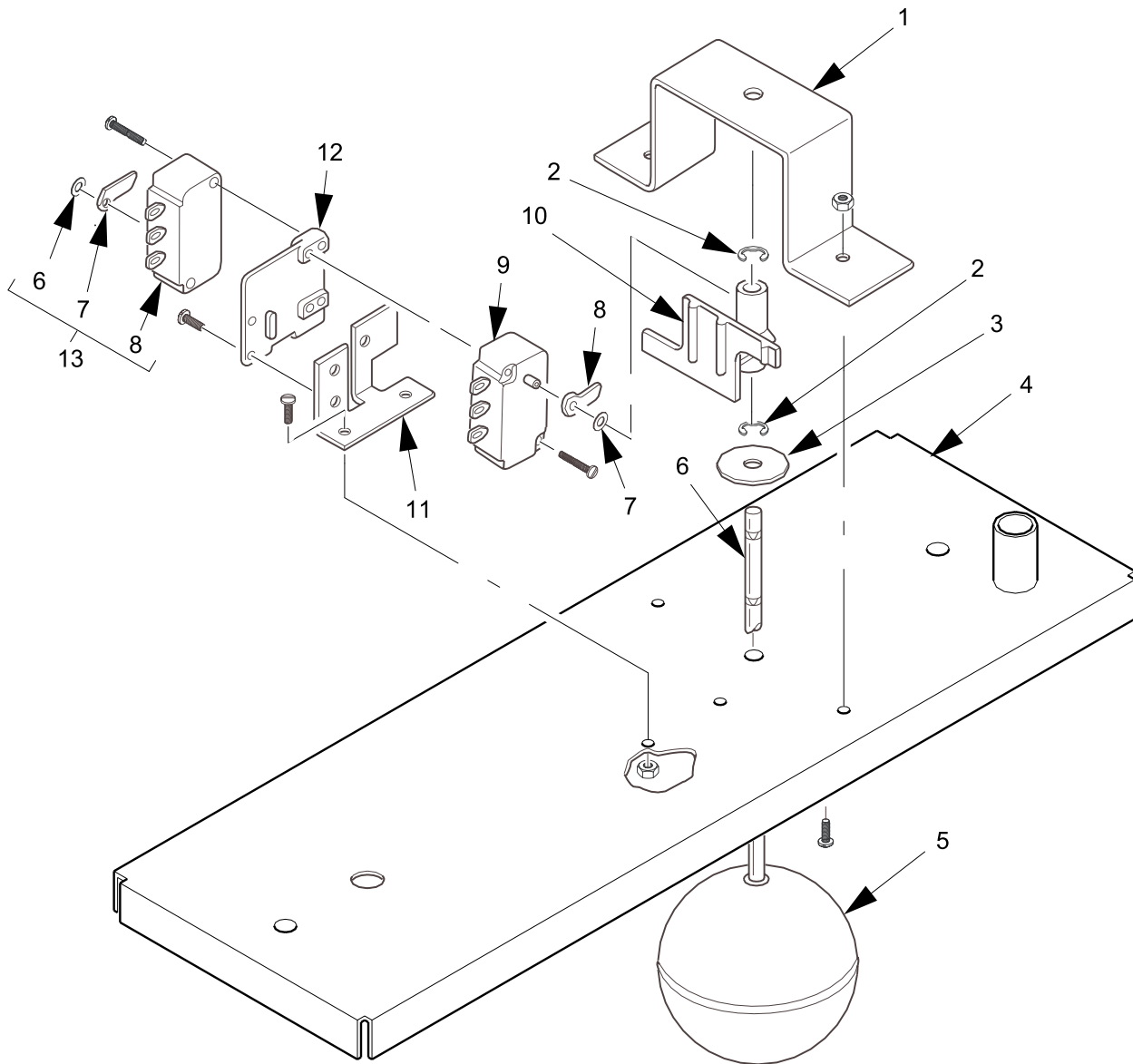
485P0053

Figure 95. Water Tank Assembly

# Refreshment Center 3 Parts Manual

**TABLE 95. WATER TANK ASSEMBLY**

INDEX	PART NUMBER	DESCRIPTION	QTY.
-	4858019	WATER TANK ASSEMBLY - 120 V	-
-	4858020	WATER TANK ASSEMBLY - 230 V	-
1	3106026	PLASTIC TUBING - 5/8 O D X 7/16	26 IN
1	6338021	TUBING-U.K.SILICONE-.375 X.562	26 IN
2	3508126	COIL TUBE SUPPORT DRAIN	1
3	3106013	CLAMP - HOSE	2
4	4858023	LID ASSEMBLY - WATER TANK (SEE FIGURE 96 FOR DETAILS)	1
5	4858021	GASKET-H.W.T.	1
6	4858009	WELD ASSEMBLY - WATER TANK	1
7	6408125	CLAMP - TUBE	1
8	6238112	VALVE ASSEMBLY - HOT WATER TANK (SEE FIGURE 97 FOR DETAILS)	2
9	6408210	TUBE-6408208-5.0"	1
10	6408154	PINCH CLAMP ASSEMBLY	
11	6508044	COVER THERMOSTAT	
12	6508004	THERMOSTAT CONTROL	2
13	4751087	BUSHING PARKER #209P - 4 - 2	1
14	4751241	HEATER - 1200 WATTS - 120 V	1
14	4751242	HEATER - 1200 WATTS - 230 V	1
15	4751177	COVER - HEATER TERMINAL	4
16	6508006	GASKET HEATER	1
17	6338003	THERMOSTAT ASSEMBLY - AUTO RESET	1
18	4858001	CLAMP - THERMOSTAT - 1/2 O.D.	1
19	6158053	WING NUT .250 - 20 ZINC DIE CAST	1
-	6238074	"O" RING - .48 ID X .10 (NOT SHOWN)	1
<b>ALSO AVAILABLE</b>			
-	9905010	REPL. PKG - WATER VALVE - HOT DRINK (CONTAINS 10 EACH OF "O" RING PART NUMBER 6238074)	



485p0047

Figure 96. Water Tank Lid Assembly

## Refreshment Center 3 Parts Manual

**TABLE 96. WATER TANK LID ASSEMBLY**

INDEX	PART NUMBER	DESCRIPTION	QTY.
-	4858023	LID ASSEMBLY - WATER TANK	-
1	5201349	SCREW #4 40 X 11/16 RHS	4
2	6138123	SWITCH ASSEMBLY WATER FEEDER (INCLUDES INDEX NUMBERS 3 - 5)	2
3	1217162	RETAINER - PUSH ON - .125	1
4	6138027	ACTUATOR - SWITCH	1
5	3108146	SWITCH	1
6	6138159	#6-32X1/4 RHS MACH SCREW TY3	4
7	6138004	PLATE MOUNTING SWITCH	1
8	6138180	BRACKET SHAFT	1
9	6104429	KEPS NUT # 6-32 S.S. EXT LW	4
10	6124073	RETAINING RING REINF E TYP.1	2
11	6138183	ACTUATOR SWITCH	1
12	6138181	WASHER PLATE	1
13	6208057	SHAFT-FLOAT	1
14	6107244	SCREW #6-32 X 9/16 PHS W/LW	2
15	6508033	FLOAT WATER TANK	1
16	4858018	WELD ASSEMBLY - LID - HOT WATER TANK	1
17	6138175	BRACKET SWITCH MOUNTING	1

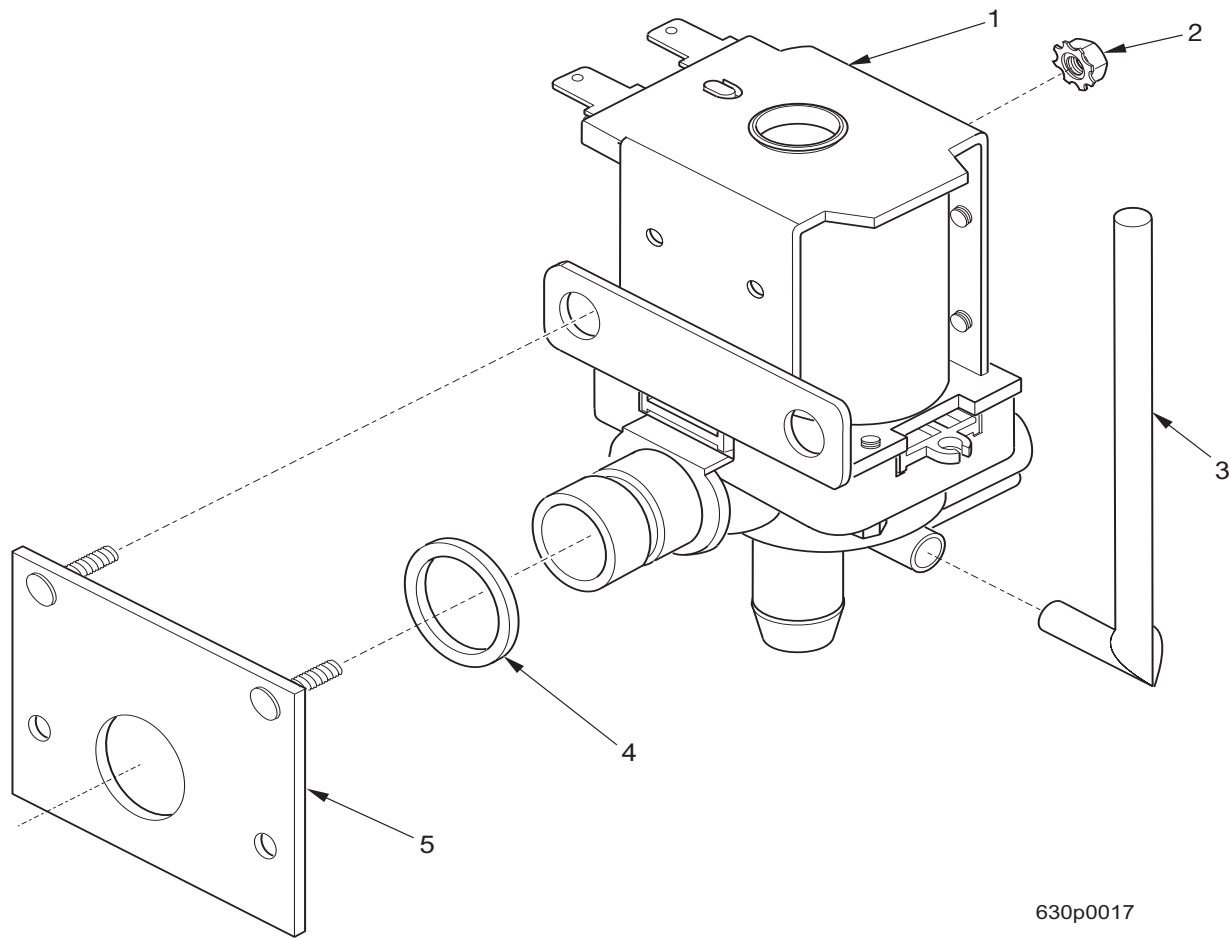


Figure 97. Valve Assembly - Hot Water Tank



# Refreshment Center 3 Parts Manual

**TABLE 97. VALVE ASSEMBLY - HOT WATER TANK**

<b>INDEX</b>	<b>PART NUMBER</b>	<b>DESCRIPTION</b>	<b>QTY.</b>
-	6238112	VALVE ASSEMBLY - HOT WATER TANK - 115 V	-
1	6338053	VALVE - HWT - PUR - 120 V - K56778-53	1
2	9900081	NUT - #8-32 KEPS - Z/P	2
3	6338054	VENT - ELBOW - SIEBE K72876	1
4	6238074	"O" RING - .48IDX.10	1
5	6238113	VALVE MOUNTING PLATE AND STUD ASSEMBLY	1

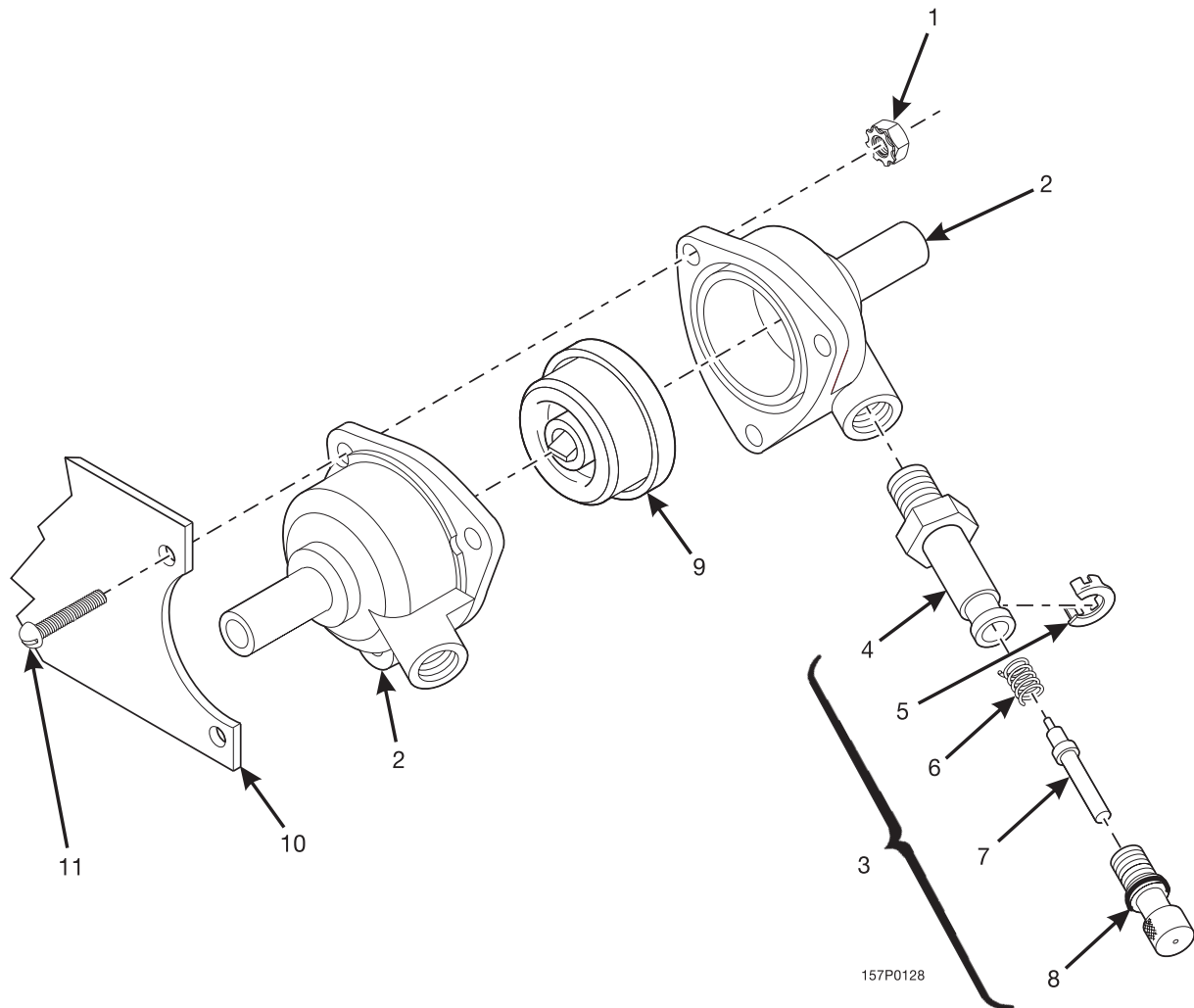


Figure 98. Bracket and Air Pressure Control Assembly

# Refreshment Center 3 Parts Manual

**TABLE 98. BRACKET AND AIR PRESSURE CONTROL ASSEMBLY**

INDEX	PART NUMBER	DESCRIPTION	QTY.
-	4751073	BRACKET AND CONTROL ASSEMBLY	-
1	9900081	NUT #8-32 KEPS ZINC PLATE	3
2	6154214	BODY - REGULATOR	2
3	6154284	CONTROL ASSEMBLY (CONTAINS INDEX NUMBERS 4 - 8)	1
4	6154288	BODY - PRESSURE CONTROL	1
5	6154285	RETAINER - ADJUSTER	1
6	6154286	SPRING - PRESSURE CONTROL	1
7	6154287	PLUNGER - PRESSURE CONTROL	1
8	6154289	ADJUSTER ASSEMBLY (WITH "O" RING 6154232)	1
9	6338023	DIAPHRAGM/DUCKBILL	1
10	4751051	BRACKET - MTG. - REGULATOR	1
11	9900115	SCREW #8-32 X 3/4 RHS	3

**TABLE 99. POWER CORDS**

PART NUMBER	DESCRIPTION	USAGE
9989577	POWER CORD - EURO PLUG - 230 VOLT APPLICATIONS	ARGENTINA
		BRAZIL
		SAUDI ARABIA
		LATIN AMERICA
		CHINA
		FRANCE
		GERMANY
		SWEDEN
		LEBANON
		KUWAIT
		NEW CALEDONIA
9989560	POWER CORD - 230 VOLTS	AUSTRALIA
		NEW ZEALAND
9989576	POWER CORD - W/BSI PLUG - 230 VOLTS	UK
4731169	POWER CORD ASSEMBLY - 115 VOLTS	USA
		LATIN AMERICA
		TAIWAN
		BRAZIL
		ISRAEL
		MEXICO
9989526	LABEL - WARNING - POWER CORD - ENGLISH	USA
9989583	LABEL - WARNING - POWER CORD - MEXICO	MEXICO

# Refreshment Center 3 Parts Manual

TABLE 98. WIRE HARNESES

CONNECTOR	DESCRIPTION	PART NUMBER
J23A	HARNESS JAPAN	1579048
J23B	HARNESS JAPAN	1579048
J27	HARNESS EXEC	1679050
J30	CABLE RIBBON	1579008
J31	HARNESS TEMP	4849020
J33	HARNESS DISPLAY TO CNTRL	1599200
J34	HARNESS SUREVEND	1679012
J35	HARNESS POWER	4859002
J36	HARNESS IR DATA / DEX	1679056 / 1689054
J37	24VAC	9989750
J38	24VDC	9989750
J39	HARNESS MDB	9989706
J40	HARNESS DUMB MECH	1671011
J41	SERIAL VAL	1679053
J42	HARNESS - MARS PULSE	1679052
J45	HARNESS DISPLY TO CNTRL	1599200
J46	CUSTOMER KEY PAD	7215019
J47	FREE VEND KEYSWITCH	9989639
J48	JUMPER DOOR SWITCH	1579009
J49	SERVICE KEYPAD	1575046
J50	HARNESS IR DATA	1689094
J55	CABLE RIBBON	1579008
J56	HARNESS TEMP & COMP	4849020
J57	JUMPER - CAN/ G&M	4974023
J58	JUMPER - CAN/ G&M	4974023
J59	HARNESS CHANNEL 6 TRAY	1599009
J60	HARNESS CHANNEL 6 TRAY	1599009
J61	HARNESS PCB & COIN	9989750

# Refreshment Center 3 Parts Manual

**TABLE 98. WIRE HARNESES (CONTINUED)**

CONNECTOR	DESCRIPTION	PART NUMBER
J63	NOT USED	----
J65	HARNESS POWER	4859002
J66	HARNESS BREWER	4859003
J67	HARNESS POWER	4859002
J69	HARNESS COFFEE	4859000
J70	HARNESS COFFEE	4859000
J71	HARNESS COFFEE	4859000
J72	JUMPER MOD TO BREWER	4859005
J75	HARNESS TEMP & CHILLER	4849020
J76	HARNESS PWR TO COFFEE	4751082
J81	HARNESS 24V PCB	9989750
J82	JUMPER POWER TO EX. FAN	1579021
J83	JUMPER, POWER TO DOOR LT	1579022
J87	HARNESS 120 COIN ADAPTER	1679002
J90	JUMPER INTERLOCK	1579010
J91	JUMPER INTERLOCK	1579010
J93A	HARNESS - PCB & COIN	9989750
J94	HARNESS POWER PANEL	1709001
J97	JUMPER GFI & FILTER	1579051
J100	JUMPER DOOR SWITCH	1579009 / RC3 4751082
J102	HARNESS - SERIAL VAL	1679053
J105	HARNESS - MARS PULSE	1679052
J107	HARNESS BREWER	4731096
J108	HARNESS BREWER	4731096
J109	HARNESS CUP MECH	4733039
J110	HARNESS CUP MECH	4733039
J111	HARNESS CUP MECH	4733039
J112	HARNESS CUP MECH	4733039
J113	HARNESS CUP MECH	4733039

# Refreshment Center 3 Parts Manual

TABLE 98. WIRE HARNESES (CONTINUED)

CONNECTOR	DESCRIPTION	PART NUMBER
J114	HARNESS CUP MECH	4733039
J121	JUMPER GUM & MINT	1579024
J124	JUMPER - CAN/ G&M	4974023
J125	HARNESS CAN EJECTOR 5 CAN	4977050
J125	HARNESS CAN EJECTOR 4 CAN	4849028
J125E	JUMPER - CAN/ G&M	4974023
J125F	JUMPER - CAN/ G&M	4974023
J125H	JUMPER - CAN/ G&M	4974023
J126	JUMPER TEMP, CAN	4849020 / RC 4979005
J127	JUMPER PWR TO COMP	4849002
J128	JUMPER 120V	1579052 / CAN 4849025
J133	HARNESS LIGHT & FILTER	1679006
J135	HARNESS SIDE PANEL	4849015
J151	HARNESS - EXEC LONG	1679050
J153	HARNESS EVAP FAN	4982002
J170	HARNESS COFFEE	4859000
J171	HARNESS COFFEE	4859000
J173	HARNESS COFFEE	4859000
J174	HARNESS COFFEE	4859000
J175	HARNESS COFFEE	4859000
J176	HARNESS COFFEE	4859000
J177	HARNESS COFFEE	4859000
J178	HARNESS COFFEE	4859005
J181	HARNESS COFFEE	4859000
J182	INDICATOR	4852084
J183	HARNESS COFFEE	4859000
J184A	HARNESS COFFEE	4859000
J184B	HARNESS COFFEE	4859000

# Refreshment Center 3 Parts Manual

TABLE 98. WIRE HARNESES (CONTINUED)

CONNECTOR	DESCRIPTION	PART NUMBER
J186	HARNESS COFFEE	4859000
J187	HARNESS COFFEE	4859000
J188	HARNESS COFFEE	4859000
J189	HARNESS COFFEE	4859000
J190	HARNESS COFFEE	4859000
J192	HARNESS BREWER	4859003
J195	HARNESS PWR TO COFFEE	4859005
J196	HARNESS COFFEE MOD	4859005
J199	HARNESS COFFEE	4859000
J200	HARNESS MUG SWITCH	4751184
J201A	JUMPER BOOST TRANSFORMER	1579052
J201B	JUMPER BOOST TRANSFORMER	1579052
J228A	JUMPER JAPAN	1579048
J228B	JUMPER JAPAN	1579048
J231	HARNESS SUREVEND EMIT TO DET	1679013
J232	HARNESS SUREVEND EMIT TO DET	1679013

# Refreshment Center 3 Parts Manual

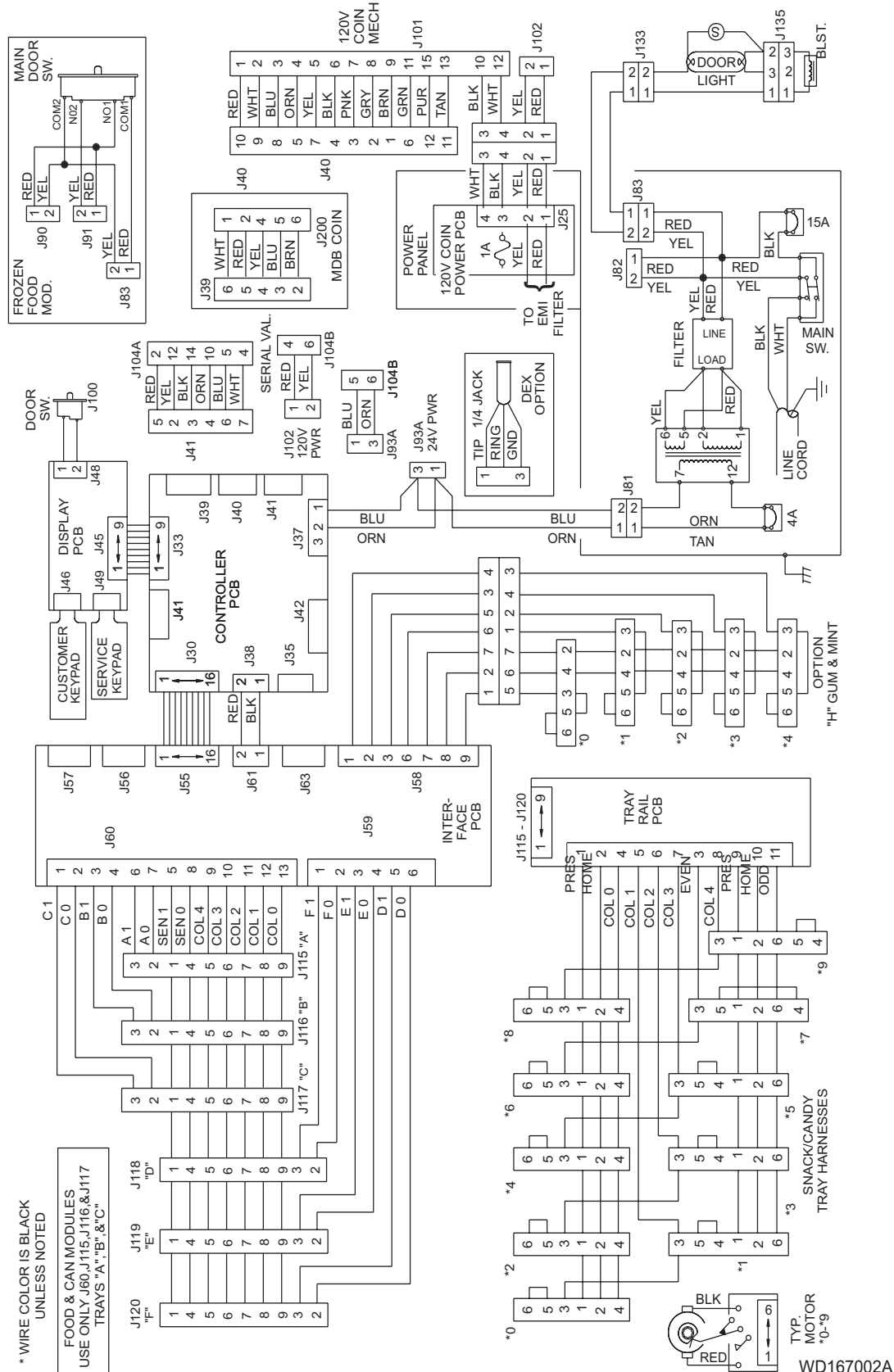


Figure 99. Wiring Diagram (Part 1)



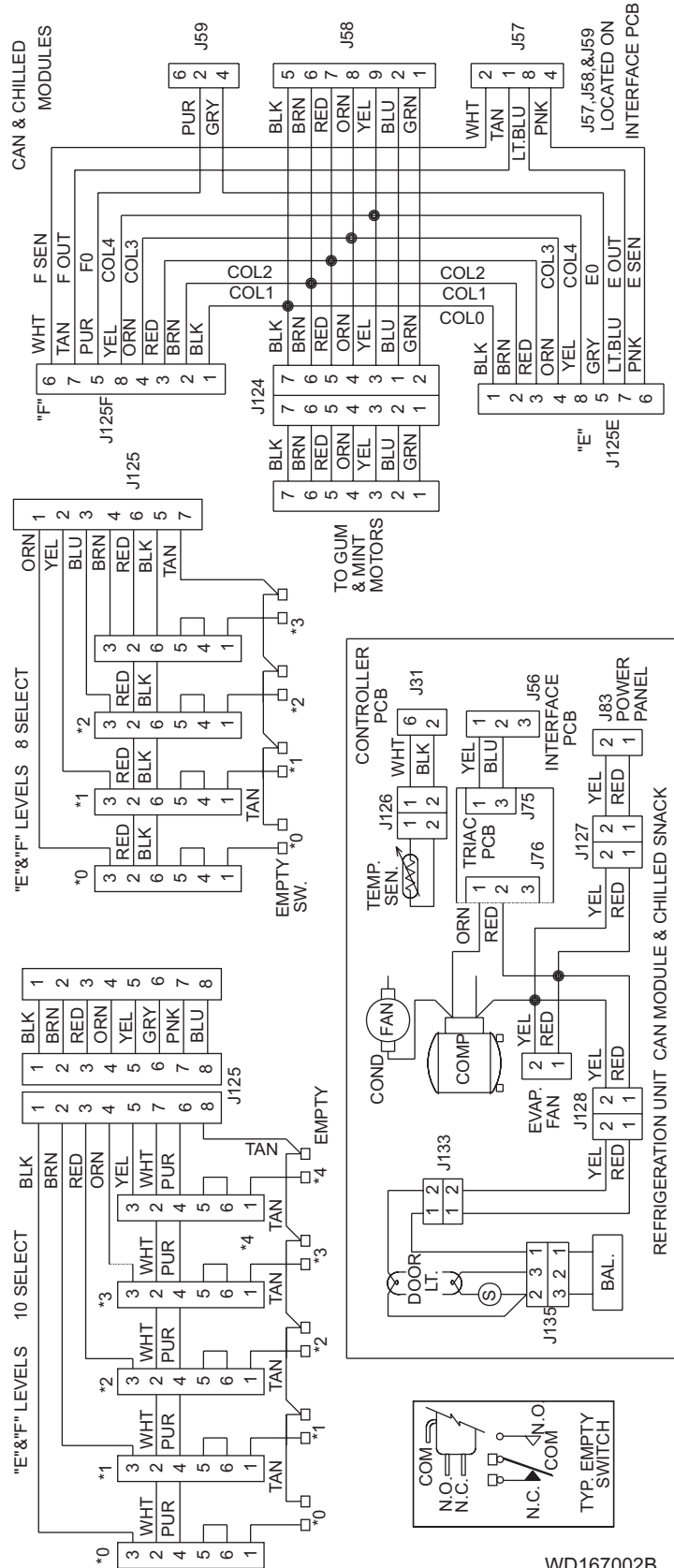


Figure 100. Wiring Diagram (Part 2)

# Refreshment Center 3 Parts Manual

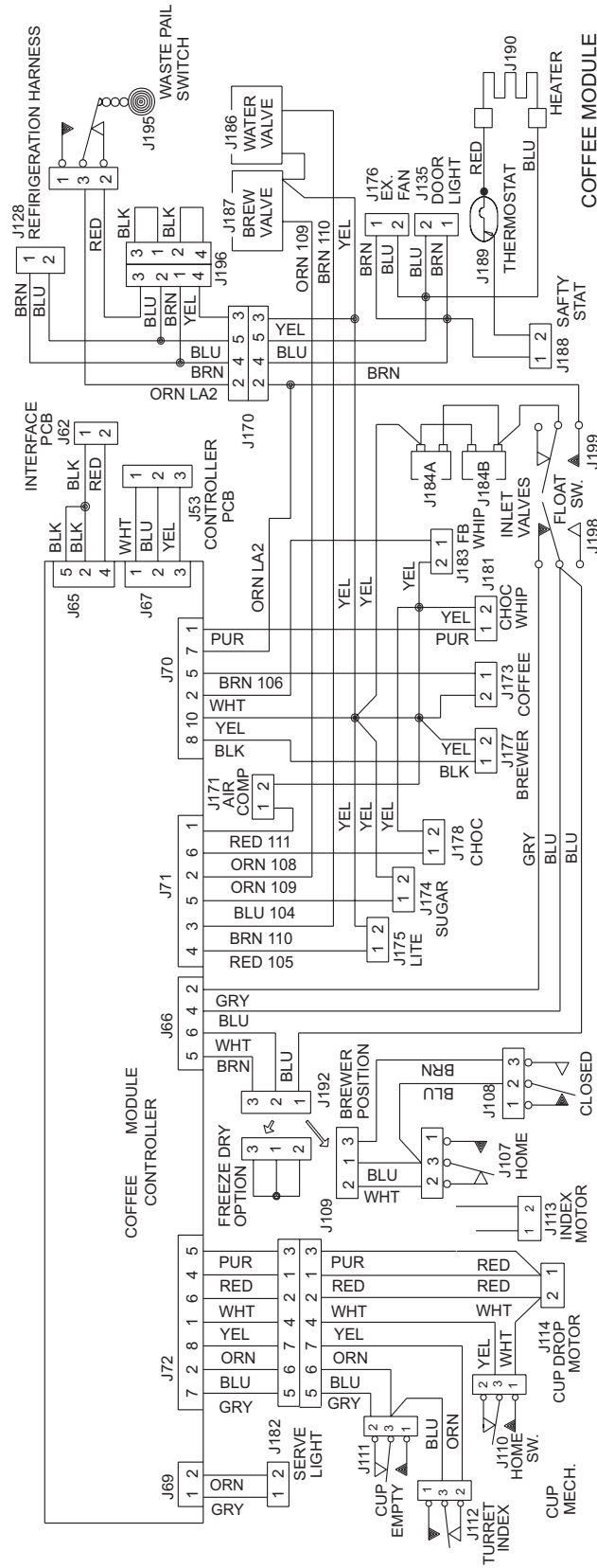


Figure 101. Wiring Diagram (Part 3)

# Refreshment Center 3 Parts Manual

**TABLE 100. BAG ASSEMBLY B4840001**

<b>PART NUMBER</b>	<b>DESCRIPTION</b>	<b>QTY</b>
B4840001	BAG ASSEMBLY-FOOD-11-12 (AUSTRALIA, NEW ZEALAND)	-
WD167003	W.D.230V SNK.-CHIL/CAN/COF/M	1
WD484012	W.D.-COLD/FROZEN MODULE	1
1477015	ROLL-PRICE DOLLARS KB	12
1477083	RETAINER-SPIRAL-WALL	10
1575107	TAG-PRICE-G&M-.25-1.55	1
1577047	LABEL-ITEM LETTERS-A0-A9	1
1577048	LABEL-ITEM LETTERS-B0-B9	1
1577049	LABEL-ITEM LETTERS-C0-C9	1
1577050	LABEL-ITEM LETTERS-D0-D9	1
1577051	LABEL-ITEM LETTERS-E0-E9 KB	1
1577052	LABEL-ITEM LETTERS-F0-F9 KB	1
1670001	MAIN SNACK SET-UP GUIDE	1
1670024	SNACK/RC PROGRAMMING GUIDE	1
1679057	LIST-HARNESSES	1
2360036	BAG PACKING	3
3158008	ELBOW W/TAPE ASSEMBLY	1
4840042	LIST-BAG ASSY B4840001-CONTE	1
4840053	SET UP GUIDE-CAN/COLD FD/FZN	1
5920012	BAG-PLASTIC-12 X 15	1

# Refreshment Center 3 Parts Manual

**TABLE 101. BAG ASSEMBLY B7880000**

PART NUMBER	DESCRIPTION	QTY
B7880000	BAG ASSY-FOOD: 12-15 (NEW ZEALAND, U.S.)	-
WD167002	W.D.115V SNK.-CHIL/CAN/COF/M	1
WD167003	W.D.230V SNK.-CHIL/CAN/COF/M	1
WD484012	W.D.-COLD/FROZEN MODULE	1
1477014	ROLL-PRICE CENTS (KB)	12
1477015	ROLL-PRICE DOLLARS KB	12
1477071	PACKAGE ASSY-PRODUCT PUSHER	
1477083	RETAINER-SPIRAL-WALL	10
1575107	TAG-PRICE-G&M-.25-1.55	1
1577047	LABEL-ITEM LETTERS-A0-A9	1
1577048	LABEL-ITEM LETTERS-B0-B9	1
1577049	LABEL-ITEM LETTERS-C0-C9	1
1577050	LABEL-ITEM LETTERS-D0-D9	1
1577051	LABEL-ITEM LETTERS-E0-E9 KB	1
1577052	LABEL-ITEM LETTERS-F0-F9 KB	1
1670001	MAIN SNACK SET-UP GUIDE	1
1670024	SNACK/RC PROGRAMMING GUIDE	1
1670034	LABEL-SUREVEND LOGO-3.75"WID	1
1679059	LIST-HARNESSES	1
2360036	BAG PACKING	2
3158008	ELBOW W/TAPE ASSEMBLY	1
4407732	ADAPTOR ASSY-BOXED ITEM	
4407728	LABEL-SOLD OUT	1
4612001	DECAL-"CHILLED FOR FRESHNESS	1
4752148	LABEL-COVER UP-H.W.-U.K.	
4770039	BAG-PLASTIC-10"X13	"1
4840053	SET UP GUIDE-CAN/COLD FD/FZN	1
4850004	SET UP GUIDE-HOT DRINK MODUL	1
4859013	JUMPER-SPEED REDUCER-CUP IND	1

## Refreshment Center 3 Parts Manual

**TABLE 102. BAG ASSEMBLY B7850003**

PART NUMBER	DESCRIPTION	QTY
B7850003	BAG ASSY-CAN: 11-12-15-17-24 (AUSTRALIA, NEW ZEALAND, U.S., TAIWAN, SAUDIA ARABIA)	-
WD167002	W.D.115V SNK.-CHIL/CAN/COF/M	1
WD167003	W.D.230V SNK.-CHIL/CAN/COF/M	1
1477015	ROLL-PRICE DOLLARS KB	12
1477071	PACKAGE ASSY-PRODUCT PUSHER	
1477083	RETAINER-SPIRAL-WALL	10
1575107	TAG-PRICE-G&M-.25-1.55	1
1577047	LABEL-ITEM LETTERS-A0-A9	1
1577048	LABEL-ITEM LETTERS-B0-B9	1
1577049	LABEL-ITEM LETTERS-C0-C9	1
1577050	LABEL-ITEM LETTERS-D0-D9	1
1577051	LABEL-ITEM LETTERS-E0-E9 KB	1
1577052	LABEL-ITEM LETTERS-F0-F9 KB	1
1670001	MAIN SNACK SET-UP GUIDE	1
1670024	SNACK/RC PROGRAMMING GUIDE	1
1670034	LABEL-SUREVEND LOGO-3.75"WID	1
1679059	LIST-HARNESSES	1
2360036	BAG PACKING	2
3158008	ELBOW W/TAPE ASSEMBLY	1
4747091	FLAVOR STRIPS-10	1
4747097	PROD.ID LBL/FLAVR STRIP INST	1
4752148	LABEL-COVER UP-H.W.-U.K.	
4770039	BAG-PLASTIC-10"X13	1
4840053	SET UP GUIDE-CAN/COLD FD/FZN	1
4850004	SET UP GUIDE-HOT DRINK MODUL	1

# Refreshment Center 3 Parts Manual

**TABLE 103. BAG ASSEMBLY B4880007**

PART NUMBER	DESCRIPTION	QTY
B4880007	BAG ASSEMBLY-CAN:1 (U.K.)	-
WD167003	W.D.230V SNK.-CHIL/CAN/COF/M	1
WD484012	W.D.-COLD/FROZEN MODULE	1
1470041	PLASTIC BAG	1
1472273	PRICE ROLL-UK-1L/10L,35P/95P	5
1472274	PRICE ROLL-UK-1L/10L,8P/35P	32
1477071	PACKAGE ASSY-PRODUCT PUSHER	
1477083	RETAINER-SPIRAL-WALL	10
1572205	ROLL-PRICE-UK-36PTO62P+FREE	10
1572206	ROLL-PRICE-UK,63P TO 90P, KB	3
1575083	COIN CHUTE & BRACKET ASSEMBL	1
1575086	INSTR.SHEET-COIN CHUTE & BRK	1
1577061	LABEL-ITEM LETTERS-A0-A9-U.K	1
1577062	LABEL-ITEM LETTERS-B0-B9-U.K	1
1577063	LABEL-ITEM LETTERS-C0-C9-U.K	1
1577064	LABEL-ITEM LETTERS-D0-D9-U.K	1
1577065	LABEL-ITEM LETTERS-E0-E9-U.K	1
1577066	LABEL-ITEM LETTERS-F0-F9-U.K	1
1670001	MAIN SNACK SET-UP GUIDE	1
1670024	SNACK/RC PROGRAMMING GUIDE	1
1670034	LABEL-SUREVEND LOGO-3.75"WID	1
1679057	LIST-HARNESSES	1
2360036	BAG PACKING	3
3158008	ELBOW W/TAPE ASSEMBLY	1
4612001	DECAL-"CHILLED FOR FRESHNESS	1
4747091	FLAVOR STRIPS-10	1
4747097	PROD.ID LBL/FLAVR STRIP INST	1
4752148	LABEL-COVER UP-H.W.-U.K.	
4840053	SET UP GUIDE-CAN/COLD FD/FZN	1
4850004	SET UP GUIDE-HOT DRINK MODUL	1
4859013	JUMPER-SPEED REDUCER-CUP IND	1
4880042	LIST-BAG ASSY B4880007-CONTE	1

## Refreshment Center 3 Parts Manual

**TABLE 104. BAG ASSEMBLY B4880010**

PART NUMBER	DESCRIPTION	QTY
B4880010	BAG ASSEMBLY-CAN:6-7 (FRANCE, GERMANY)	-
WD167003	W.D.230V SNK.-CHIL/CAN/COF/M	1
WD484012	W.D.-COLD/FROZEN MODULE	1
1477083	RETAINER-SPIRAL-WALL	10
1477123	PRICE ROLL-0TO25-UK/GER/FR(K	42
1577054	LABEL-ITEM LETTERS-A0-A9-GER	1
1577055	LABEL-ITEM LETTERS-B0-B9-GER	1
1577056	LABEL-ITEM LETTERS-C0-C9-GER	1
1577057	LABEL-ITEM LETTERS-D0-D9-GER	1
1577058	LABEL-ITEM LETTERS-E0-E9-GER	1
1577059	LABEL-ITEM LETTERS-F0-F9-GER	1
1670001	MAIN SNACK SET-UP GUIDE	1
1670024	SNACK/RC PROGRAMMING GUIDE	1
1670034	LABEL-SUREVEND LOGO-3.75"WID	1
1679057	LIST-HARNESSES	1
2360036	BAG PACKING	3
3158008	ELBOW W/TAPE ASSEMBLY	1
4747091	FLAVOR STRIPS-10	1
4747097	PROD.ID LBL/FLAVR STRIP INST	1
4752150	LABEL-COVER UP-H.W.-GER.	
4752151	LABEL-COVER UP-H.W.-FR.	
4840053	SET UP GUIDE-CAN/COLD FD/FZN	1
4850004	SET UP GUIDE-HOT DRINK MODUL	1
5920012	BAG-PLASTIC-12 X 15	1
4859013	JUMPER-SPEED REDUCER-CUP IND	1

# Refreshment Center 3 Parts Manual

**TABLE 105. BAG ASSEMBLY B4880009**

PART NUMBER	DESCRIPTION	QTY
B4880009	BAG ASSEMBLY-FOOD:6-7 (FRANCE, GERMANY)	-
WD167003	W.D.230V SNK.-CHIL/CAN/COF/M	1
WD484012	W.D.-COLD/FROZEN MODULE	1
1477014	ROLL-PRICE CENTS (KB)	12
1477083	RETAINER-SPIRAL-WALL	10
1477123	PRICE ROLL-0TO25-UK/GER/FR(K	36
1577054	LABEL-ITEM LETTERS-A0-A9-GER	1
1577055	LABEL-ITEM LETTERS-B0-B9-GER	1
1577056	LABEL-ITEM LETTERS-C0-C9-GER	1
1577057	LABEL-ITEM LETTERS-D0-D9-GER	1
1577058	LABEL-ITEM LETTERS-E0-E9-GER	1
1577059	LABEL-ITEM LETTERS-F0-F9-GER	1
1670001	MAIN SNACK SET-UP GUIDE	1
1670024	SNACK/RC PROGRAMMING GUIDE	1
1670034	LABEL-SUREVEND LOGO-3.75"WID	1
1679057	LIST-HARNESSES	1
2360036	BAG PACKING	3
3158008	ELBOW W/TAPE ASSEMBLY	1
4407732	ADAPTOR ASSY-BOXED ITEM	
4752150	LABEL-COVER UP-H.W.-GER.	
4752151	LABEL-COVER UP-H.W.-FR.	
4777801	LABEL-SOLD OUT-GER.	1
4777803	LABEL-SOLD OUT-FRENCH	1
4840053	SET UP GUIDE-CAN/COLD FD/FZN	1
4850004	SET UP GUIDE-HOT DRINK MODUL	1
5920012	BAG-PLASTIC-12 X 15	1
4859013	JUMPER-SPEED REDUCER-CUP IND	1



# Refreshment Center 3 Parts Manual

**TABLE 106. BAG ASSEMBLY B7850000**

PART NUMBER	DESCRIPTION	QTY
B7850000	BAG ASSEMBLY-ALL TRAY-37 (CANADA)	-
WD167002	W.D.115V SNK.-CHIL/CAN/COF/M	1
WD167003	W.D.230V SNK.-CHIL/CAN/COF/M	1
1477015	ROLL-PRICE DOLLARS KB	48
1477071	PACKAGE ASSY-PRODUCT PUSHER	
1477083	RETAINER-SPIRAL-WALL	10
1575107	TAG-PRICE-G&M-.25-1.55	1
1577047	LABEL-ITEM LETTERS-A0-A9	1
1577048	LABEL-ITEM LETTERS-B0-B9	1
1577049	LABEL-ITEM LETTERS-C0-C9	1
1577050	LABEL-ITEM LETTERS-D0-D9	1
1577051	LABEL-ITEM LETTERS-E0-E9 KB	1
1577052	LABEL-ITEM LETTERS-F0-F9 KB	1
1670001	MAIN SNACK SET-UP GUIDE	1
1670024	SNACK/RC PROGRAMMING GUIDE	1
1679057	LIST-HARNESSES	1
1679059	LIST-HARNESSES	1
2360036	BAG PACKING	2
3158008	ELBOW W/TAPE ASSEMBLY	1
4747091	FLAVOR STRIPS-10	1
4747097	PROD.ID LBL/FLAVR STRIP INST	1
4752148	LABEL-COVER UP-H.W.-U.K.	
4770039	BAG-PLASTIC-10"X13	"1
4840053	SET UP GUIDE-CAN/COLD FD/FZN	1
4850004	SET UP GUIDE-HOT DRINK MODUL	1

# Refreshment Center 3 Parts Manual

**TABLE 107. BAG ASSEMBLY B7850002**

PART NUMBER	DESCRIPTION	QTY
B7850002	BAG ASSEMBLY-FOOD-37 (CANADA)	-
WD167002	W.D.115V SNK.-CHIL/CAN/COF/M	1
WD167003	W.D.230V SNK.-CHIL/CAN/COF/M	1
WD484012	W.D.-COLD/FROZEN MODULE	1
1477014	ROLL-PRICE CENTS (KB)	24
1477015	ROLL-PRICE DOLLARS KB	12
1477083	RETAINER-SPIRAL-WALL	10
1575107	TAG-PRICE-G&M-.25-1.55	1
1577047	LABEL-ITEM LETTERS-A0-A9	1
1577048	LABEL-ITEM LETTERS-B0-B9	1
1577049	LABEL-ITEM LETTERS-C0-C9	1
1577050	LABEL-ITEM LETTERS-D0-D9	1
1577051	LABEL-ITEM LETTERS-E0-E9 KB	1
1577052	LABEL-ITEM LETTERS-F0-F9 KB	1
1670001	MAIN SNACK SET-UP GUIDE	1
1670024	SNACK/RC PROGRAMMING GUIDE	1
1679057	LIST-HARNESSES	1
1679059	LIST-HARNESSES	1
2360036	BAG PACKING	3
3158008	ELBOW W/TAPE ASSEMBLY	1
4407728	LABEL-SOLD OUT	1
4407732	ADAPTOR ASSY-BOXED ITEM	
4612001	DECAL-"CHILLED FOR FRESHNESS	1
4752148	LABEL-COVER UP-H.W.-U.K.	
4840053	SET UP GUIDE-CAN/COLD FD/FZN	1
4850004	SET UP GUIDE-HOT DRINK MODUL	1
4850049	LIST-BAG ASSY B4850008-CONTE	1
5920012	BAG-PLASTIC-12 X 15	1

# Refreshment Center 3 Parts Manual

**TABLE 108. BAG ASSEMBLY B7850004**

PART NUMBER	DESCRIPTION	QTY
B7850004	BAG ASSY-CAN: 3-4-9-10 (LATIN AMERICA, BRAZIL, KUWAIT, LEBANON)	-
WD167002	W.D.115V SNK.-CHIL/CAN/COF/M	1
WD167003	W.D.230V SNK.-CHIL/CAN/COF/M	1
1477071	PACKAGE ASSY-PRODUCT PUSHER	
1477083	RETAINER-SPIRAL-WALL	8
1477123	PRICE ROLL-0TO25-UK/GER/FR(K	48
1577061	LABEL-ITEM LETTERS-A0-A9-U.K	1
1577062	LABEL-ITEM LETTERS-B0-B9-U.K	1
1577063	LABEL-ITEM LETTERS-C0-C9-U.K	1
1577064	LABEL-ITEM LETTERS-D0-D9-U.K	1
1577065	LABEL-ITEM LETTERS-E0-E9-U.K	1
1577066	LABEL-ITEM LETTERS-F0-F9-U.K	1
1670001	MAIN SNACK SET-UP GUIDE	1
1670024	SNACK/RC PROGRAMMING GUIDE	1
1670034	LABEL-SUREVEND LOGO-3.75"WID	1
1679059	LIST-HARNESSES	1
2360036	BAG PACKING	2
3158008	ELBOW W/TAPE ASSEMBLY	1
4747091	FLAVOR STRIPS-10	1
4747097	PROD.ID LBL/FLAVR STRIP INST	1
4752148	LABEL-COVER UP-H.W.-U.K.	
4752149	LABEL-COVER UP-H.W.-SPAN.	
4840053	SET UP GUIDE-CAN/COLD FD/FZN	1
4850004	SET UP GUIDE-HOT DRINK MODUL	1
5920012	BAG-PLASTIC-12 X 15	1

# Refreshment Center 3 Parts Manual

**TABLE 109. BAG ASSEMBLY B7850005**

PART NUMBER	DESCRIPTION	QTY
B7850005	BAG ASSY-FOOD: 12-17 (NEW ZEALAND, TAIWAN)	-
WD167002	W.D.115V SNK.-CHIL/CAN/COF/M	1
WD167003	W.D.230V SNK.-CHIL/CAN/COF/M	1
WD484012	W.D.-COLD/FROZEN MODULE	1
1477014	ROLL-PRICE CENTS (KB)	12
1477015	ROLL-PRICE DOLLARS KB	12
1477071	PACKAGE ASSY-PRODUCT PUSHER	
1477083	RETAINER-SPIRAL-WALL	10
1575107	TAG-PRICE-G&M-.25-1.55	1
1577047	LABEL-ITEM LETTERS-A0-A9	1
1577048	LABEL-ITEM LETTERS-B0-B9	1
1577049	LABEL-ITEM LETTERS-C0-C9	1
1577050	LABEL-ITEM LETTERS-D0-D9	1
1577051	LABEL-ITEM LETTERS-E0-E9 KB	1
1577052	LABEL-ITEM LETTERS-F0-F9 KB	1
1670001	MAIN SNACK SET-UP GUIDE	1
1670024	SNACK/RC PROGRAMMING GUIDE	1
1670034	LABEL-SUREVEND LOGO-3.75"WID	1
1679059	LIST-HARNESSES	1
2360036	BAG PACKING	2
3158008	ELBOW W/TAPE ASSEMBLY	1
4407732	ADAPTOR ASSY-BOXED ITEM	
4752148	LABEL-COVER UP-H.W.-U.K.	
4770039	BAG-PLASTIC-10"X13	"1
4840053	SET UP GUIDE-CAN/COLD FD/FZN	1
4850004	SET UP GUIDE-HOT DRINK MODUL	1

# Refreshment Center 3 Parts Manual

**TABLE 110. BAG ASSEMBLY B7850006**

PART NUMBER	DESCRIPTION	QTY
B7850006	BAG ASSY-CAN: 14-37 (ARGENTINA, CANADA)	-
WD167002	W.D.115V SNK.-CHIL/CAN/COF/M	1
WD167003	W.D.230V SNK.-CHIL/CAN/COF/M	1
1477015	ROLL-PRICE DOLLARS KB	24
1477071	PACKAGE ASSY-PRODUCT PUSHER	
1477083	RETAINER-SPIRAL-WALL	10
1575107	TAG-PRICE-G&M-.25-1.55	1
1577047	LABEL-ITEM LETTERS-A0-A9	1
1577048	LABEL-ITEM LETTERS-B0-B9	1
1577049	LABEL-ITEM LETTERS-C0-C9	1
1577050	LABEL-ITEM LETTERS-D0-D9	1
1577051	LABEL-ITEM LETTERS-E0-E9 KB	1
1577052	LABEL-ITEM LETTERS-F0-F9 KB	1
1670001	MAIN SNACK SET-UP GUIDE	1
1670024	SNACK/RC PROGRAMMING GUIDE	1
1670034	LABEL-SUREVEND LOGO-3.75"WID	1
1679059	LIST-HARNESSES	1
2360036	BAG PACKING	2
3158008	ELBOW W/TAPE ASSEMBLY	1
4747091	FLAVOR STRIPS-10	1
4747097	PROD.ID LBL/FLAVR STRIP INST	1
4752148	LABEL-COVER UP-H.W.-U.K.	
4752149	LABEL-COVER UP-H.W.-SPAN.	
4770039	BAG-PLASTIC-10"X13	"1
4840053	SET UP GUIDE-CAN/COLD FD/FZN	1
4850004	SET UP GUIDE-HOT DRINK MODUL	1

# Refreshment Center 3 Parts Manual

**TABLE 111. BAG ASSEMBLY B7860000**

<b>PART NUMBER</b>	<b>DESCRIPTION</b>	<b>QTY</b>
B7860000	BAG ASSEMBLY-36 (CHILE)	-
WD167002	W.D.115V SNK.-CHIL/CAN/COF/M	1
WD167003	W.D.230V SNK.-CHIL/CAN/COF/M	1
1470041	PLASTIC BAG	1
1477083	RETAINER-SPIRAL-WALL	8
1577004	PRICE ROLL-000 TO 250(FOR YE	6
1577005	PRICE ROLL-260 TO 500(FOR YE	6
1577061	LABEL-ITEM LETTERS-A0-A9-U.K	1
1577062	LABEL-ITEM LETTERS-B0-B9-U.K	1
1577063	LABEL-ITEM LETTERS-C0-C9-U.K	1
1577064	LABEL-ITEM LETTERS-D0-D9-U.K	1
1577065	LABEL-ITEM LETTERS-E0-E9-U.K	1
1577066	LABEL-ITEM LETTERS-F0-F9-U.K	1
1670001	MAIN SNACK SET-UP GUIDE	1
1670024	SNACK/RC PROGRAMMING GUIDE	1
1679057	LIST-HARNESSES	1
1679059	LIST-HARNESSES	1
2360036	BAG PACKING	2
3158008	ELBOW W/TAPE ASSEMBLY	1
4747091	FLAVOR STRIPS-10	1
4747097	PROD.ID LBL/FLAVR STRIP INST	1
4752149	LABEL-COVER UP-H.W.-SPAN.	
4840053	SET UP GUIDE-CAN/COLD FD/FZN	1
4850004	SET UP GUIDE-HOT DRINK MODUL	1
4850048	LIST-BAG ASSY B4850007-CONTE	1

**TABLE 112. MONEY BOX LOCK ACCESSORY**

<b>PART NUMBER</b>	<b>DESCRIPTION</b>	<b>QTY.</b>
1101906	MONEY BOX LOCK #1801, KA NV407 (NOT SHOWN)	1
2221920	KEY - CHICAGO LOCK #1801, NV 407 (NOT SHOWN)	1
2222603	NUT - LOCK RETAINING (NOT SHOWN)	1
2222604	WASHER - LOCK BARREL - #2693 (NOT SHOWN)	1

**TABLE 113. ACCESSORIES (DOOR LOCK GUARD)**

INDEX	PART NUMBER	DESCRIPTION	QTY.
1	2222031	TEE BOLT - TRIM	4
2	1572186	DOOR LOCK GUARD	1
3	9900081	NUT - #8-32 KEPS ZINC PLATE	4

**Note: Holes must be drilled to install this accessory. Instructions include drilling template.**

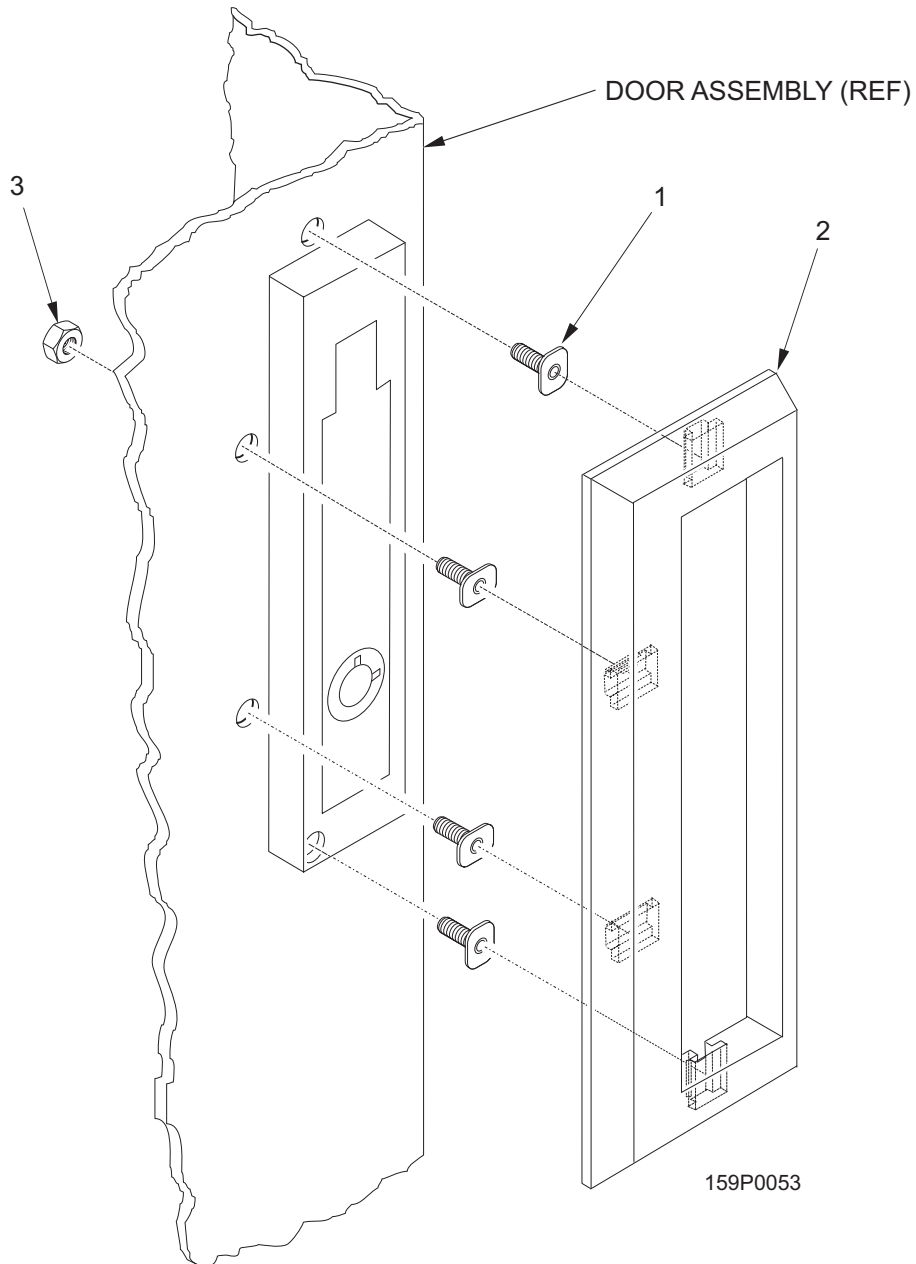
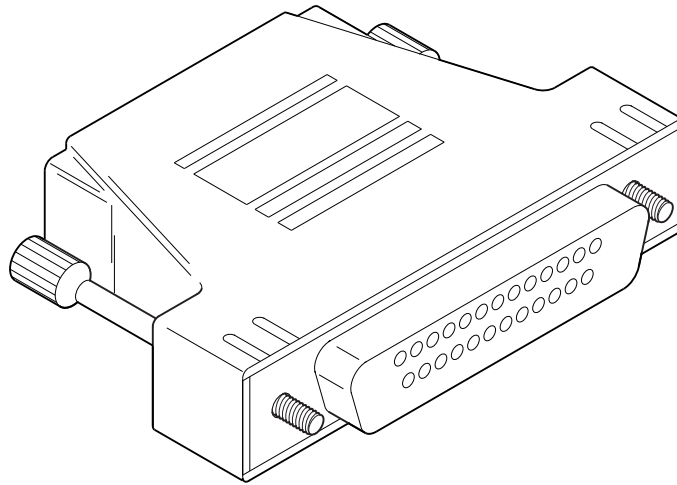


Figure 110. Accessories (Door Lock Guard)



**9984516**  
**FEMALE MODULAR ADAPTER**



**1579019**  
**DEX PRINTER INTERFACE HARNESS**



**1709018**  
**TRAY EXTENSION HARNESS**

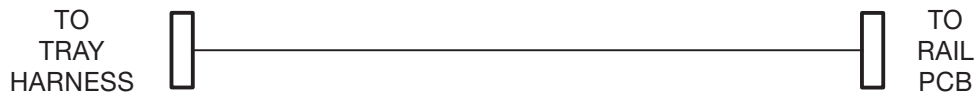


Figure 111. Accessories (Harnesses)