



# ROCK-OLA

*Manufacturing Corporation*

## CAN VENDER

MODELS

---

C8-00(E)      C8-03(E)

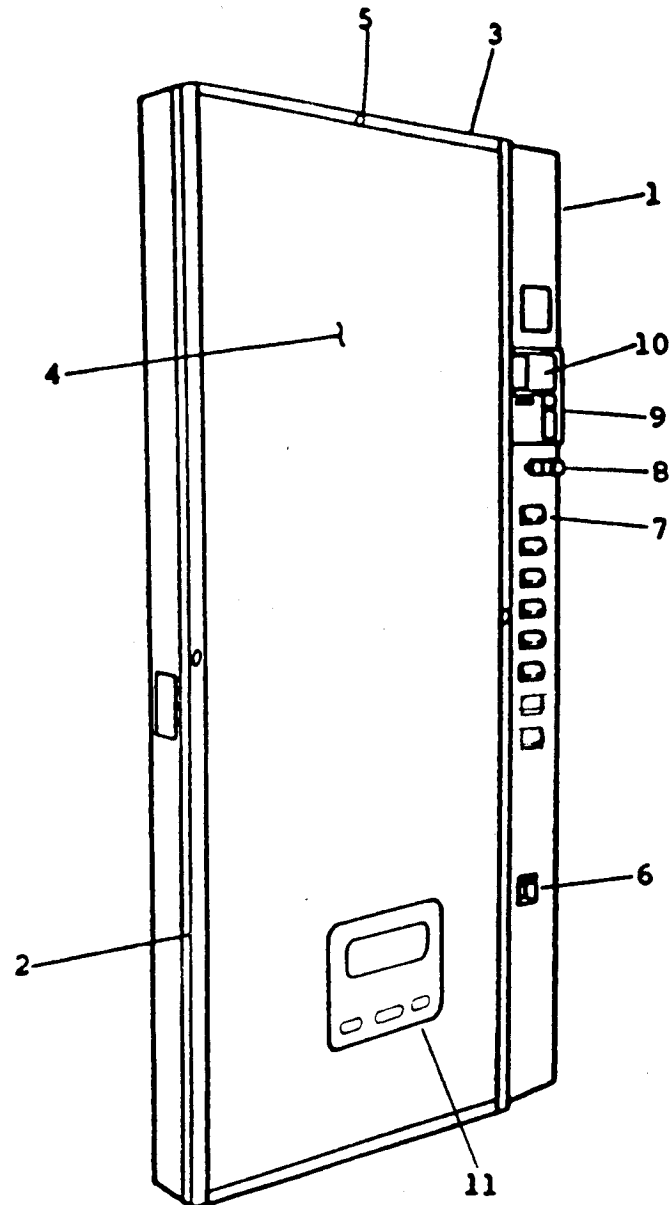
C8-01(E)      C8-04(E)

C8-02(E)      C8-05(E)

C8R-00(E)

## PARTS CATALOG

313 S. ROHLWING ROAD (ROUTE 53)  
ADDISON, ILLINOIS 60101  
#(312) 629-9200. Telex 910-221-2716  
FAX 312-628-0019

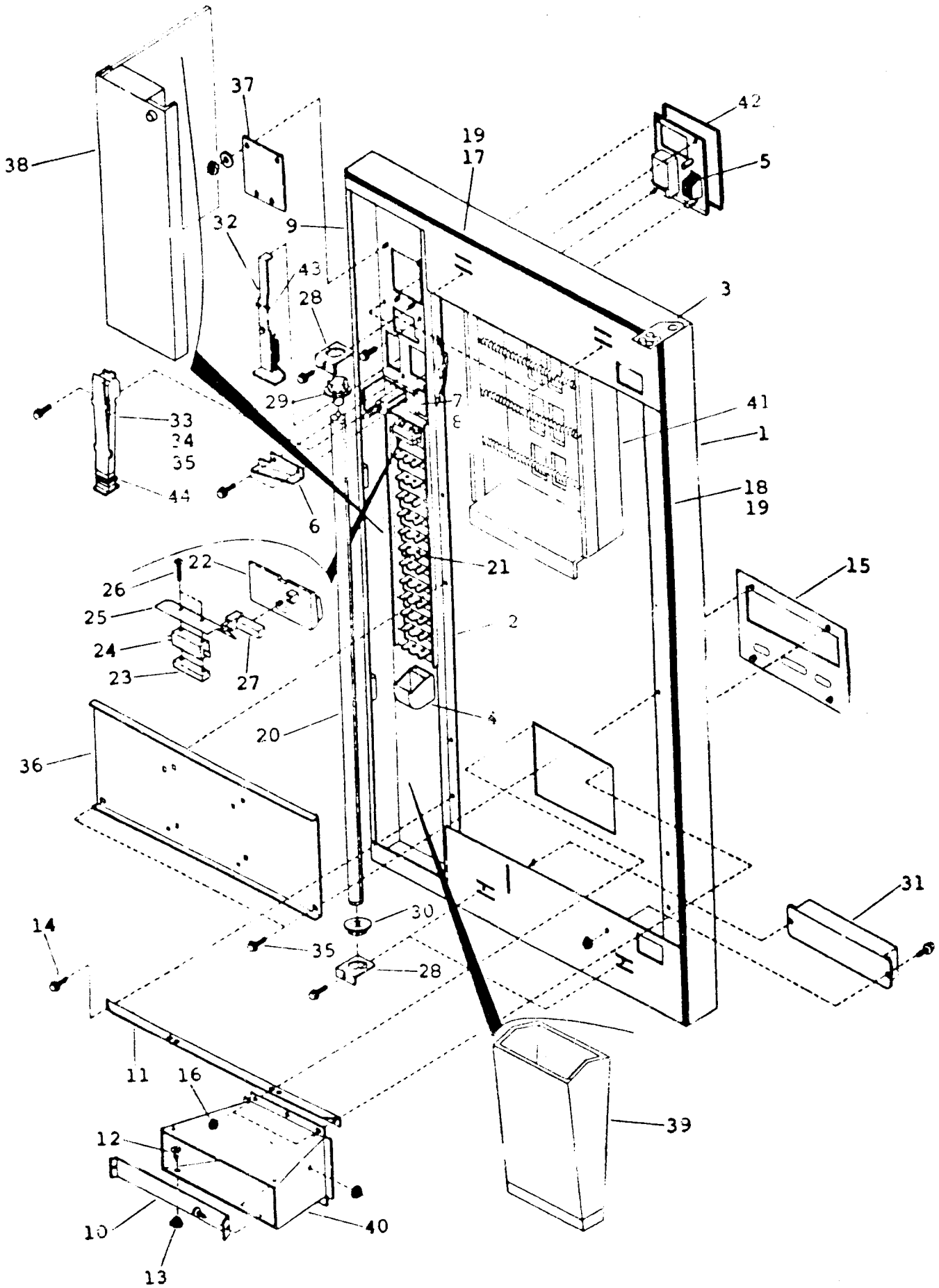


FRONT DOOR ASSEMBLY

C8-00 V-26840-A

C8E-00 V-26945-A

ITEM	PART NO.	DESCRIPTION
1	V-26601-A	Door Frame Assembly
2	V-26136	Side Door Frame
3	V-26052	Upper & Lower Trim
4	V-26271	Display
5	V-26083	Crowned Head Christmas Tree Clip
6	V-26462	Coin Return Cup
7	V-25808-1A	Selection Button Assembly
8	V-26068-A	Lock Door Handle Assy
9	V-26051	Coin Slot Casting
10	V-25922-1	Instruction Window
11	V-26026-1A	Delivery Frame Assy



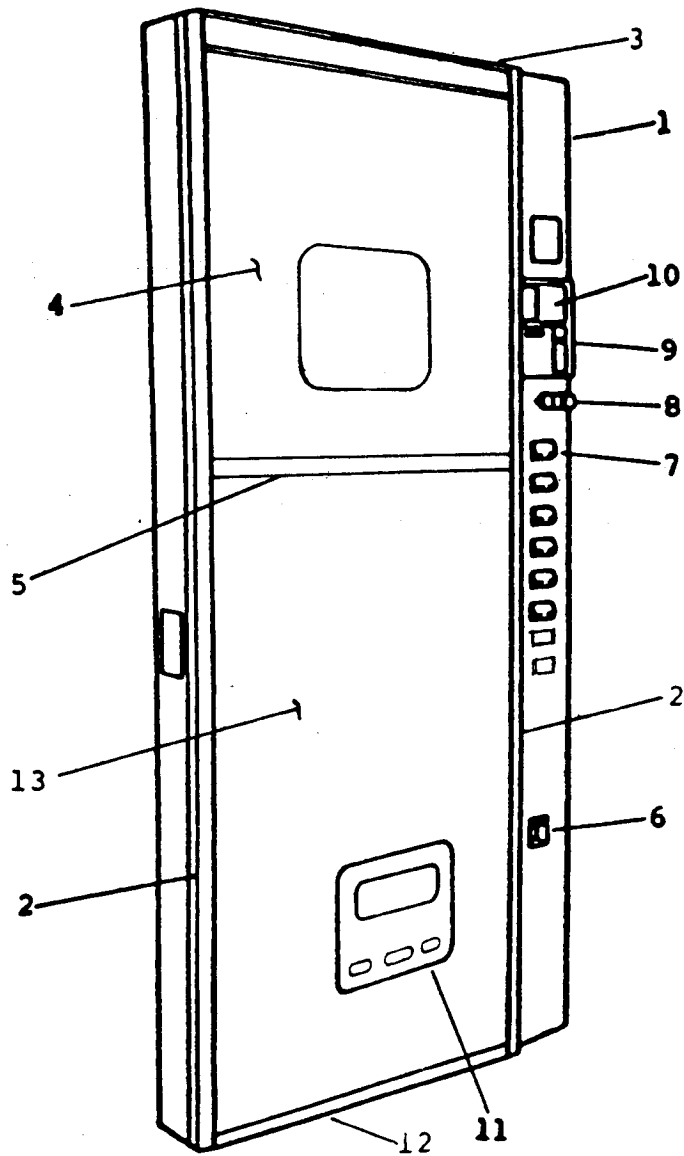


# FRONT DOOR ASSEMBLY

C8-00 (V-26840-A)

C8E-00 (V-26945-A)

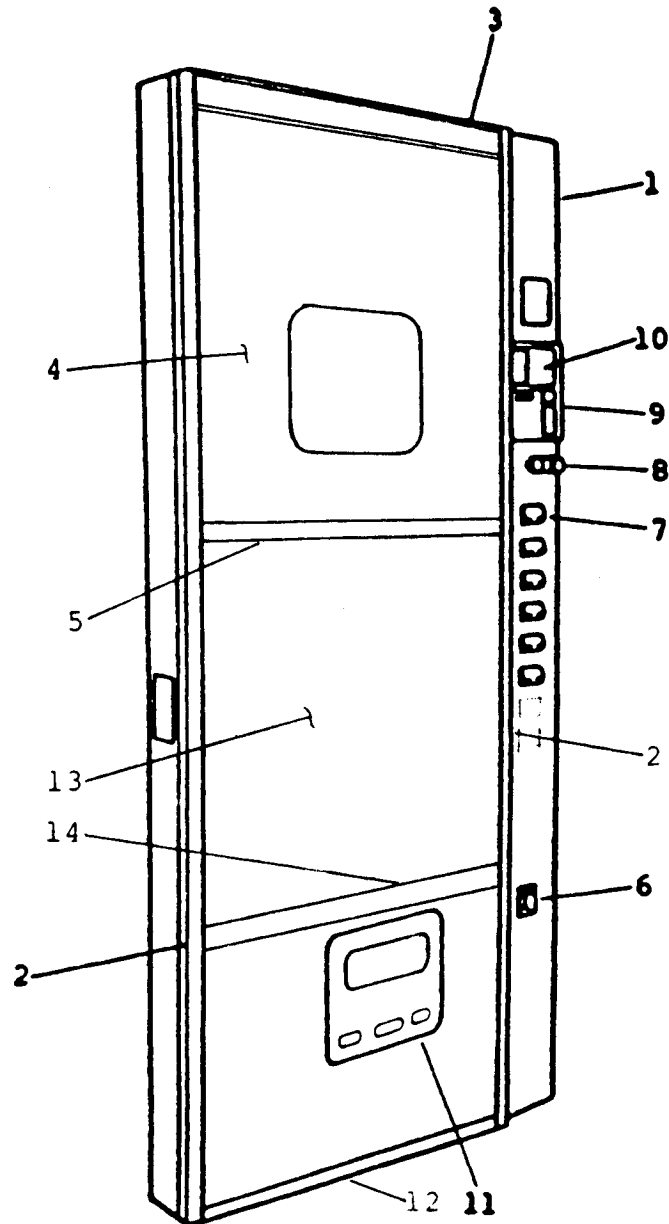
ITEM	PART NO.	DESCRIPTION
1	V-26601-A	Door Frame Assembly
2	V-26793-A	Door Frame Module Weld & Stud Assy.
3	V-26366-A	Upper Hinge Plate Weld Assy.
4	V-26462	Coin Return Cup
5	V-26051	Coin Slot Casting
6	V-26307	Gutter Coin Casting
7	V-26149	Lock Mtg. Bracket
8	ST-3342	Carriage Bolt 10-32 X 1/2
9	V-26202-1	Guard-Door Right Side
10	V-26189-1	Delivery Deflector
11	V-26187-2	Shroud Support
12	ST-10768-D	Carriage Bolt 10-24 X 1/2
13	ST-8724-D	Nut, Hex Flg. 10-24
14	ST-9746	Screw 10-32 X 5/16 Hex
15	V-26026-1A	Delivery Frame Assy.
16	ST-8722	Nut, 10-32 Hex Flg.
17	V-26222-1	Top Gasket
18	V-26223-1	Side Gasket
19	V-26217	Gasket Strip
20	V-26225	Fluor. Tube 64" Daylight
21	V-26797-A	Selection Module Assembly
22	V-25808-1A	Selection Button Assembly
23	V-26034	Spacer Switch
24	V-26056	High Capacity Switch
25	V-26309	Switch Cover
26	ST-11145	Screw 6-32 X 1 1/8 Hex
27	V-26078	Neon Sold Out Switch
28	V-26216	Lamp Holder Bracket
29	ST-1114	Secondary Lamp Holder
30	ST-1113	Primary Lamp Holder
31	V-26229	Ballast
32	V-26148-A	Reject Lever Assy.
33	V-26141	Upper Coin Chute
34	V-26143	Upper Coin Chute Cover
35	ST-8268	Hex Screw 8-32 X 5/16
36	V-26219	Door Brace
36a	V-26219-3	Door Brace - Electronic
37	V-26503 A	Backing Plate Assy.
38	V-26280-A	Rejector Door Complete
39	V-26041-A	Cash Box Assy.
40	V-26017-A	Delivery Shroud Assy.
41	V-26612-A	Can Display Assembly
42	33358-19000	RBR Cushion (Top & 2 Sides)
43	45191-00875	RBR Cushion
44	ST-10307	Sta-Strap Cable Tie



FRONT DOOR ASSEMBLY

- C8-01 (V-26795-A)    C8E-01 (V-26860-A)
- C8-02 (V-26875-A)    C8E-02 (V-26960-A)
- C8-04 (V-26905-A)    C8E-04 (V-26990-A)
- C8-05 (V-26825-A)    C8E-05 (V-27005-A)

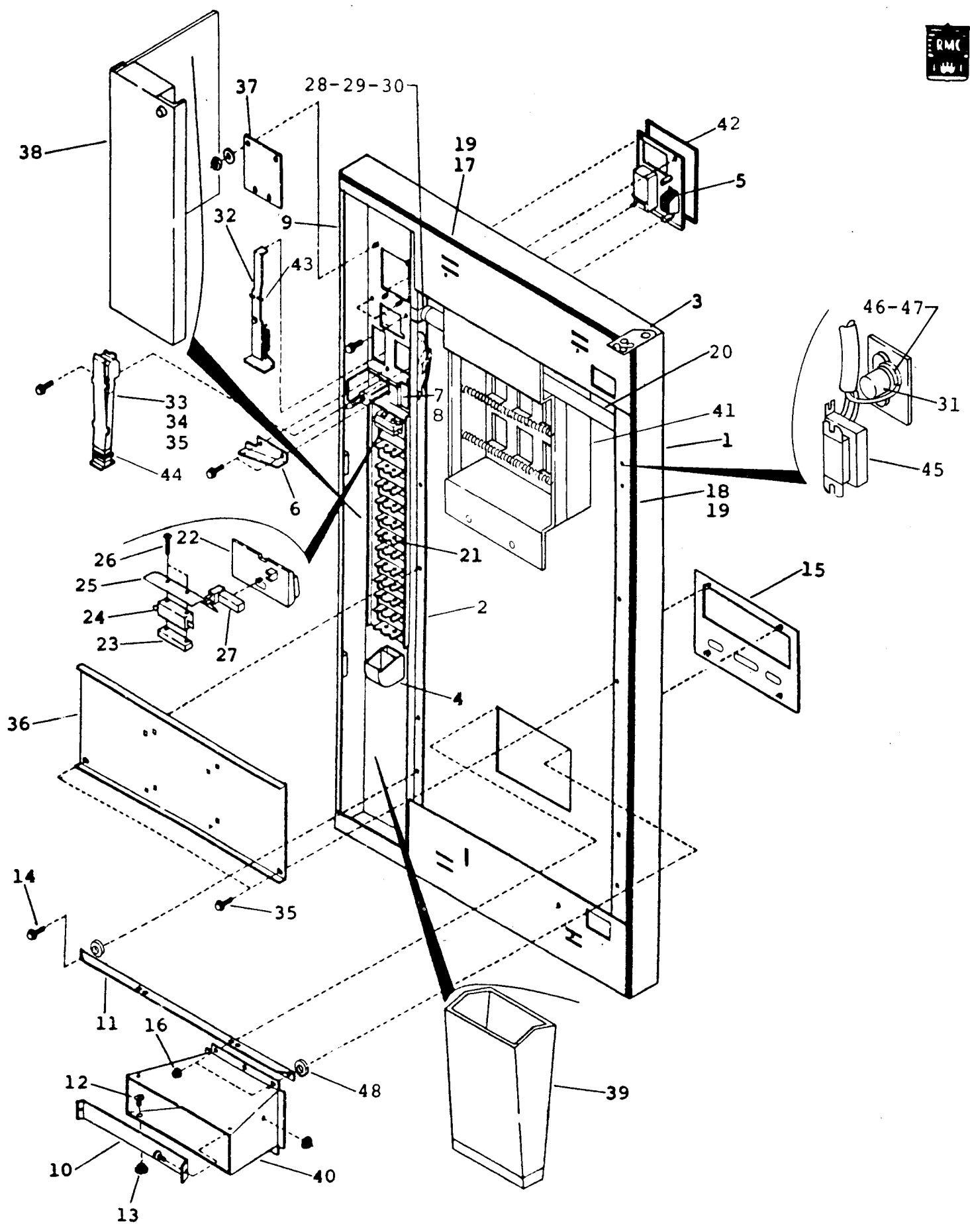
ITEM	PART NO.	DESCRIPTION
1	V-26333-1A V-26601-A	Door Frame Assembly (01,02,04) Door Frame Assembly (05)
2	V-26442	Side Door Extrusion - Trim
3	V-26441	Top - Extrusion - Trim
4	V-26412-1 V-26447	Display - 72" (-01,04 Models) Display - 72" (-02,05 Models)
5	V-26444	Center Door Extrusion - Trim
6	V-26462	Coin Return Cup
7	V-25808-1A	Selection Button Assy
8	V-26068-A	Lock Door Handle Assy
9	V-26051	Coin Slot Casting
10	V-26031 V-26029	Instruction Window Instruction Window Electronic
11	V-26026-1A	Delivery Frame Assy
12	V-26443	Lower Door Extrusion - Trim
13	V-26635 V-26459 V-26620 V-26538-A	Front Lower Panel (-01 Model) Front Lower Panel (-02 Model) Front Lower Panel (-04 Model) Front Lower Panel (-05 Model)



FRONT DOOR ASSEMBLY  
C8-03 (V-26890-A)

C8E-03 (V-26975-A)

ITEM	PART NO.	DESCRIPTION
1	V-26601-A	Door Frame Assembly
2	V-26442-1	Side Door Extrusion - Trim
3	V-26441-1	Top - Extrusion - Trim
4	V-26447	Display - 72"
5	V-26444	Center Door Extrusion - Trim
6	V-26462	Coin Return Cup
7	V-25808-1A	Selection Button Assembly
8	V-26068-A	Lock Door Handle Assy
9	V-26051	Coin Slot Casting
10	V-25922-1	Instruction Window
11	V-26026-1A	Delivery Frame Assy
12	V-26443-1	Lower Door Extrusion - Trim
13	V-26464	Front Lower Panel
14	V-26452-1	Lower Center Extrusion - Trim



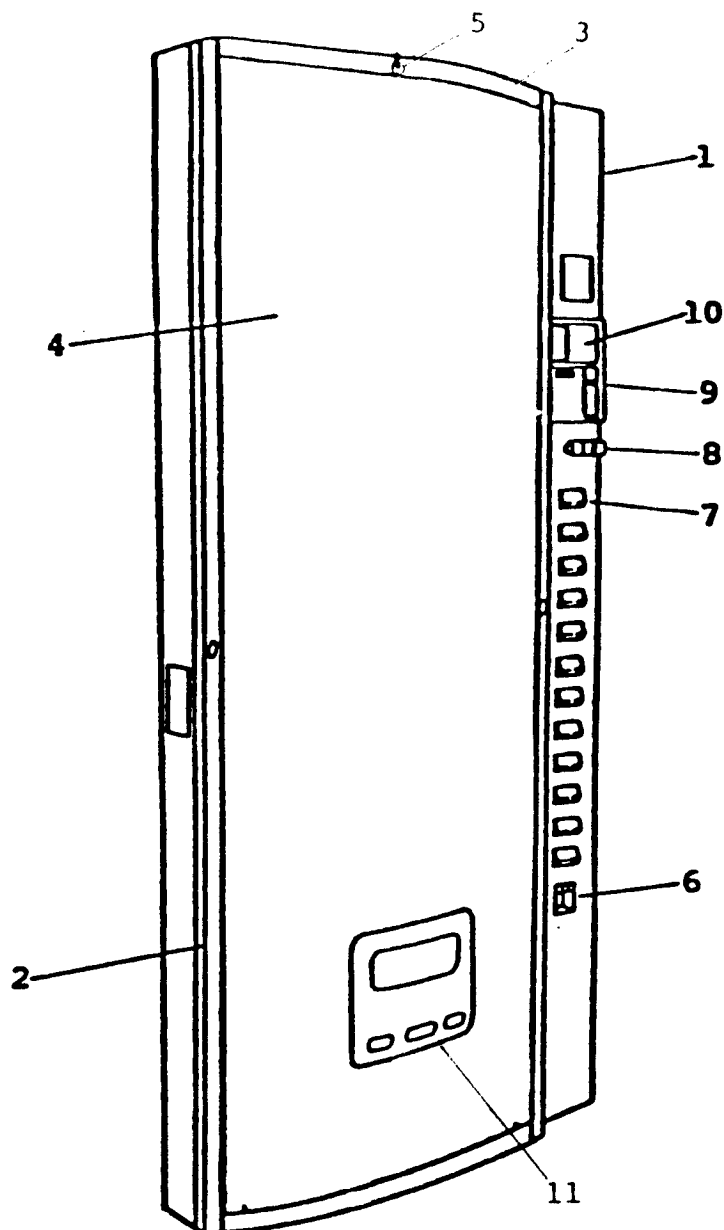


### FRONT DOOR ASSEMBLY

MODEL	C8-01 (V-26795-A)	C8E-01 (V-26860-A)
	C8-02 (V-26875-A)	C8E-02 (V-26960-A)
	C8-03 (V-26890-A)	C8E-03 (V-26975-A)
	C8-04 (V-26905-A)	C8E-04 (V-26990-A)
	C8-05 (V-26825-A)	C8E-05 (V-27005-A)

ITEM	PART NO.	DESCRIPTION
1	V-26333-1A	Door Frame Assembly
2	V-26334-A	Door Frame Module Weld & Stud Assy.
3	V-26366-A	Upper Hinge Plate Weld Assy.
4	V-26462	Coin Return Cup
5	V-26051	Coin Slot Casting
6	V-26307	Gutter Coin Casting
7	V-26194	Lock Mtg. Bracket
8	ST-3342	Carriage Bolt 10-32 X 1/2
9	V-26202-1	Guard-Door Right Side
10	V-26189	Delivery Deflector
11	V-26187	Shroud Support
12	ST-10768-D	Carriage Bolt 10-24 X 1/2
13	ST-8724-D	Nut, Hex Flg. 10-24
14	ST-9720	Screw 10-32 X 1/2
15	V-26026-1A	Delivery Frame Assy.
16	ST-8722	Nut, 10-32 Hex Flg.
17	V-26222-1	Top Gasket
18	V-26223-1	Side Gasket
19	V-26217	Gasket Strip
20	36121	Fluor. Tube 24" Light Bulb
21	V-26356-A	Selection Module Assembly
22	V-25808-1A	Selection Button Assembly
23	V-26034	Spacer Switch
24	V-26056	High Capacity Switch
25	V-26309	Switch Cover
26	ST-11145	Screw 6-32 X 1 1/8 Hex
27	V-26078	Neon Sold Out Switch (Non Electronic Only)
28	V-26439	Light Brkt
29	46634	Fluor. Light Fixture
30	49552-1	Light Socket Insulator
31	V-438	Starter
32	V-26148-1A	Reject Lever Assy
33	V-26141	Upper Coin Chute
34	V-26143	Upper Coin Chute Cover
35	ST-8268	Hex Screw 8-32 X 5/16
36	V-26219	Door Brace
36a	V-26219-3	Door Brace - Electronic
37	V-26077-2A	Backing Plate Assy.
38	V-26280-A	Rejector Door Complete
39	V-26041-A	Cash Box Assy.
40	V-26190-1A	Delivery Shroud Assy.
41	V-26798-A	Can Display Assembly - 72" - RMC
42	33358-19000	RBR Cushion (Top & 2 Sides)
43	45191-00875	RBR Cushion
44	ST-10307	Sta-Strap Cable Tie
45	V-25507-A	Ballast - 25W - 60HZ Assy.
46	V-25506-A	Starter Socket Assy.
47	V-23596	Starter Socket Insulator
48	V-13308	Washer 1/4 X 3/4 X 1/8 Thk.





Front Door Assembly (Round Front).  
 C8R-00 (V-26925-A)  
 C8ER-00 (V-27020-A)

ITEM	PART NO.	DESCRIPTION
1	V-26623-A	Door Frame Assembly
2	V-26506	Side Door Trim
3	V-26541-A	Upper & Lower Trim
4a	V-26516	DISPLAY - VERY FINE
4b	V-26521	DISPLAY - RMC
4c	V-26547	DISPLAY - RC
4d	V-26572	DISPLAY - CRUSH
5	V-26083	Crowned Head Christmas Tree Clip
6	V-26462	Coin Return Cup
7	V-25808-1A	Selection Button Assembly
8	V-26068-A	Lock Door Handle Assy.
9	V-26051	Coin Slot Casting
10	V-25922-1	Instruction Window
11	V-26192-A	Delivery Frame Assy.



Front Door Assembly (Round Front)  
 C8R-00 (V-26925-A)  
 C8ER-00 (V-27020-A)

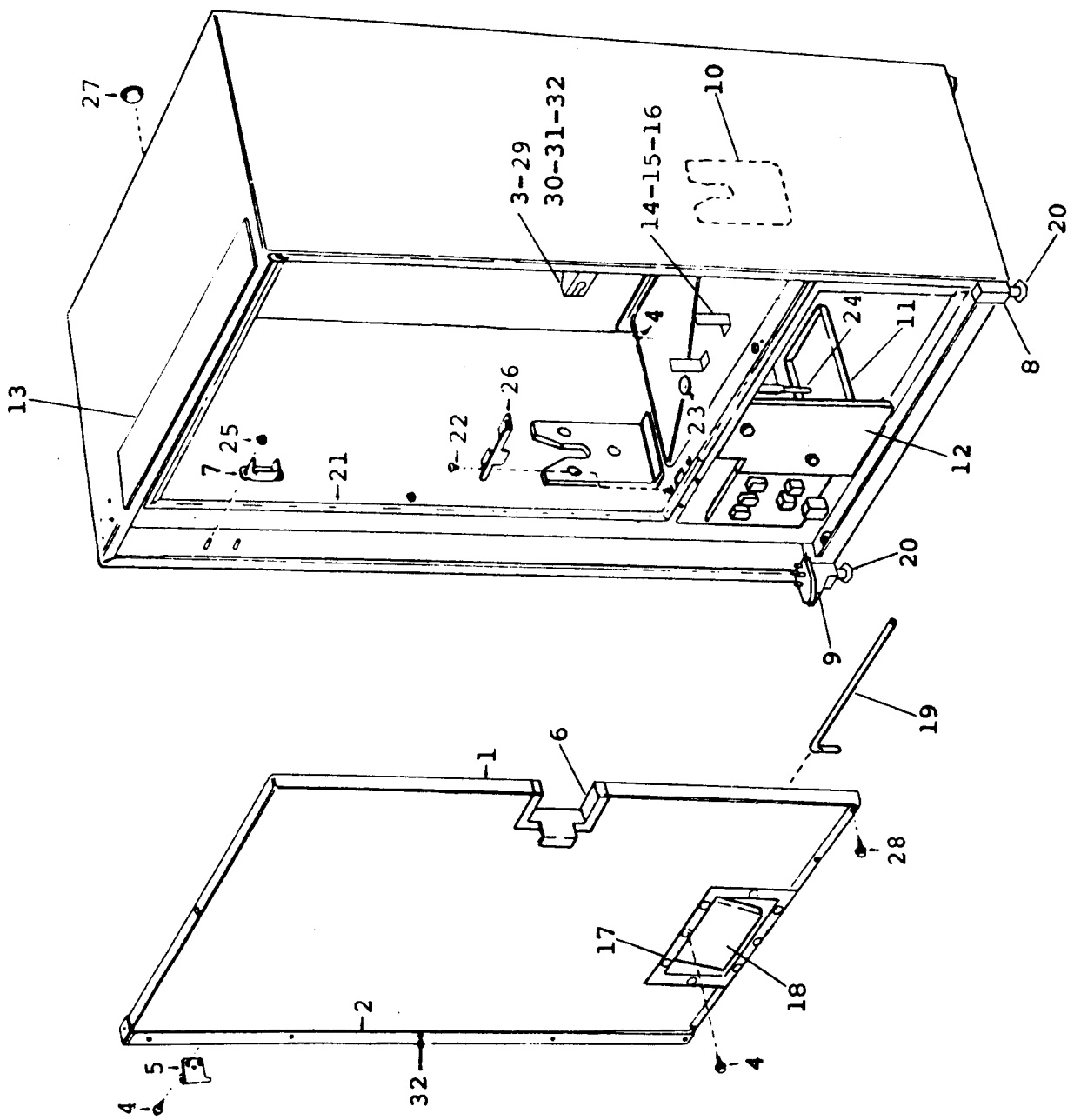
ITEM	PART NO.	DESCRIPTION
1	V-26623-A	Door Frame Assembly
2	V-26793-A	Door Frame Module Weld & Stud Assy.
3	V-26127-A	Upper Hinge Plate Weld Assy.
4	V-26462	Coin Return Cup
5	V-26051	Coin Slot Casting
6	V-26307	Gutter Coin Casting
7	V-26149	Lock Mtg. Bracket
8	ST-3342	Carriage Bolt 10-32 X 1/2
9	V-26202-1	Guard-Door Right Side
10	V-26189-1	Delivery Deflector
11	V-26187-2	Shroud Support
12	ST-10768-D	Carriage Bolt 10-24 X 1/2
13	ST-8724-D	Nut, Hex Flg. 10-24
14	ST-9746	Screw 10-32 X 5/16 Hex
15	V-26192-1A	Delivery Frame Assy.
16	ST-8722	Nut, 10-32 Hex flg.
17	V-26222-1	Top Gasket
18	V-26223-1	Side Gasket
19	V-26217	Gasket Strip
20	V-26225	Fluor. Tube 64" Daylight
21	V-26277-A	Selection Module Assembly
22	V-25808-1A	Selection Button Assembly
23	V-26034	Spacer Switch
24	V-26056	High Capacity Switch
25	V-26309	Switch Cover
26	ST-11145	Screw 6-32 X 1 1/8 Hex
27	V-26078	Neon Sold Out Switch
28	V-26216	Lamp Holder Bracket
29	ST-1114	Secondary Lamp Holder
30	ST-1113	Primary Lamp Holder
31	V-26229	Ballast
32	V-26148-1A	Reject Lever Assy.
33	V-26141	Upper Coin Chute
34	V-26143	Upper Coin Chute Cover
35	ST-8268	Hex Screw 8-32 X 5/16
36	V-26219	Door Brace
37	V-26503	Backing Plate Assy.
38	V-26280-A	Rejector Door Complete
39	V-26041-A	Cash Box Assy.
40	V-26018-1A	Delivery Shroud Assy.
41	33358-19000	RBR Cushion (Top & 2 Sides)
42	45292-00875	RBR Cushion
43	ST-20307	Sta-Strap Cable Tie
44	V-26426	Coin Validator Cover



**CABINET FINAL ASSEMBLY**

C8-00 (V-26820-A)	C8E-00 (V-26940-A)
C8-01 (V-26800-A)	C8E-01 (V-26855-A)
C8-02 (V-26800-A)	C8E-02 (V-26855-A)
C8-03 (V-26820-A)	C8E-03 (V-26940-A)
C8-04 (V-26800-A)	C8E-04 (V-26855-A)
C8-05 (V-26820-A)	C8E-05 (V-26940-A)
C8R-00 (V-26920-A)	C8ER-00 (V-27016-A)

ITEM	PART NO.	DESCRIPTION
1	V-26085-2A	Inner Door Complete
2	V-25749	"U" Channel - Inner Door - 72"
3	V-26131-A	Cabinet Lock Nut
4	ST-11056	10 X 1/2 Hex Washer HD TEK Screw
5	V-25573-1	Hinge Male
6	V-26228-1	Notch Insert
7	V-12993	Hinge - Female
8	V-26268-A	R.H. Leveling Brkt. Assy.
9	V-26370-A	Lower Hinge Assy.
10	V-26112	Support Liner
11	V-26246	Drip Tray
12	V-26244-1	Air Block Cover
13	V-26201	Rain Guard
14	V-26218	Column Support
15	ST-11166	10 X 3/4 Hex Washer Hd. TEK Z.P.
16	V-26233	Shim Column Support
17	V-26185-1	Delivery Housing
18	V-26186	Delivery Door
19	V-26195-1	Delivery Pivot
20	ST-3350	Leveling Screw
21	V-25753	Inner Door Gasket (72")
22	ST-9725	1/4-14 X 3/4 Phil. Self Tap Screw
23	V-11911	Drain Hose
24	ST-5719-9	Drain Tube
25	ST-3418	10-32 Keps Nut
26	V-11806-1	Bracket - Main Cable
27	ST-9816	Caplug - 1 1/2 ( Black)
28	V-26148-1A	10-3/8 Hex Flg. (Type A) Z.P.
29	V-26128	Cabinet - Lock Bracket
30	V-26129	Lock Nut Retainer
31	V-26396	1/2-13 Sq. Nut
32	ST-3455	1/4-20 Keps Nut





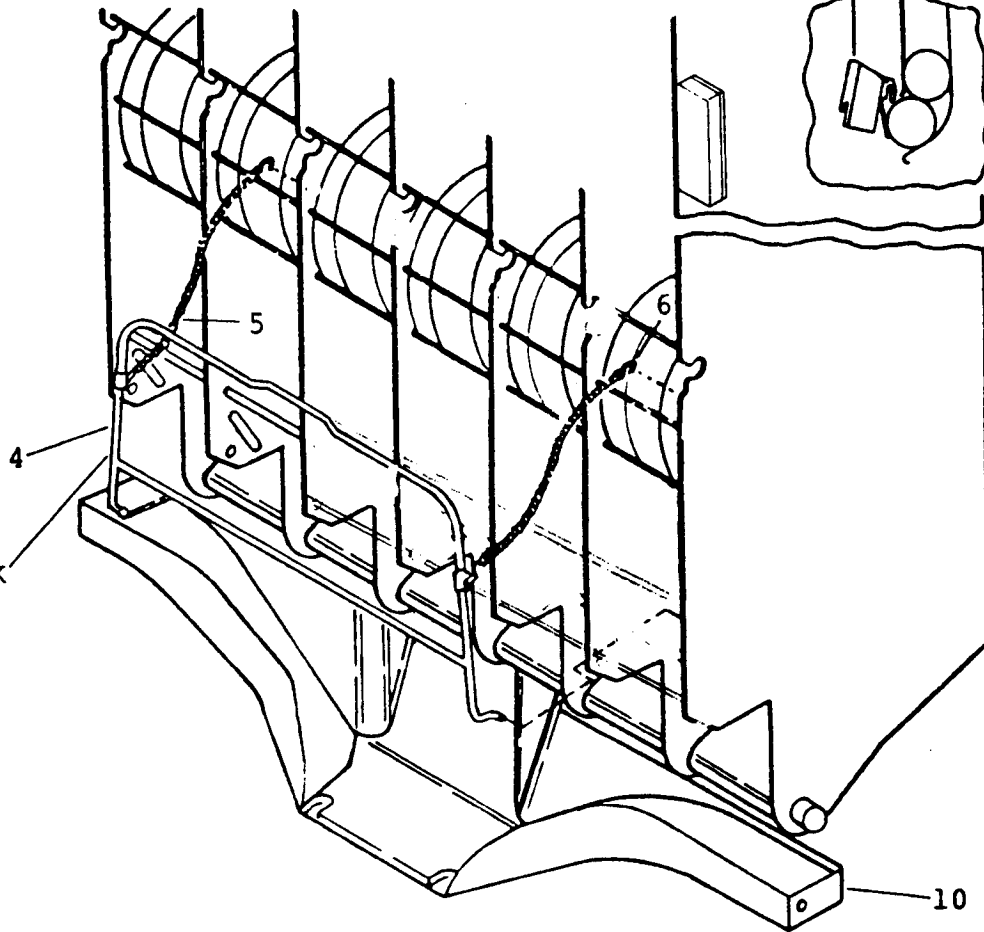
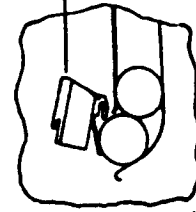
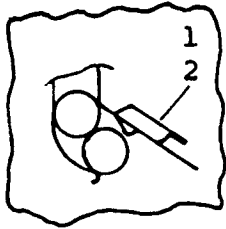


VEND MECHANISM ASSEMBLY V-26095-A

Item	Part No.	Description
1	V-25626-A	Mtg. Brkt. Rivet Assem.
2	V-11680-1A	Vend Gate Assem.
3	V-11662	Flanged Bearing
4	V-14890-2A	Hold Gate & Roller Assem.
5		
6	V-11701	Spring
7		
8	V-26365	Spring - Gate
9	V-12302	Shaft - Pivot
10	ST-9832	Retaining Ring
11	V-25434-A	Solenoid Cam & Link Assembly
12	V-11661	Flanged Bearing
13	ST-9721	12-24 X 3/8 Hex Flg. Swageform
14		
15		
16	V-14879-1	Switch Insulator
17	V-10819	Switch
18	V-11697	Guard - Switch
19	ST-10426	4-40 X 11/16 Hex Sems
20	ST-10986	6 Circuit Motor Mt. Hsg.
21	ST-334	1/4 I.D. X 1/2 O.D. X 1/32 Washer



11-12-13-14



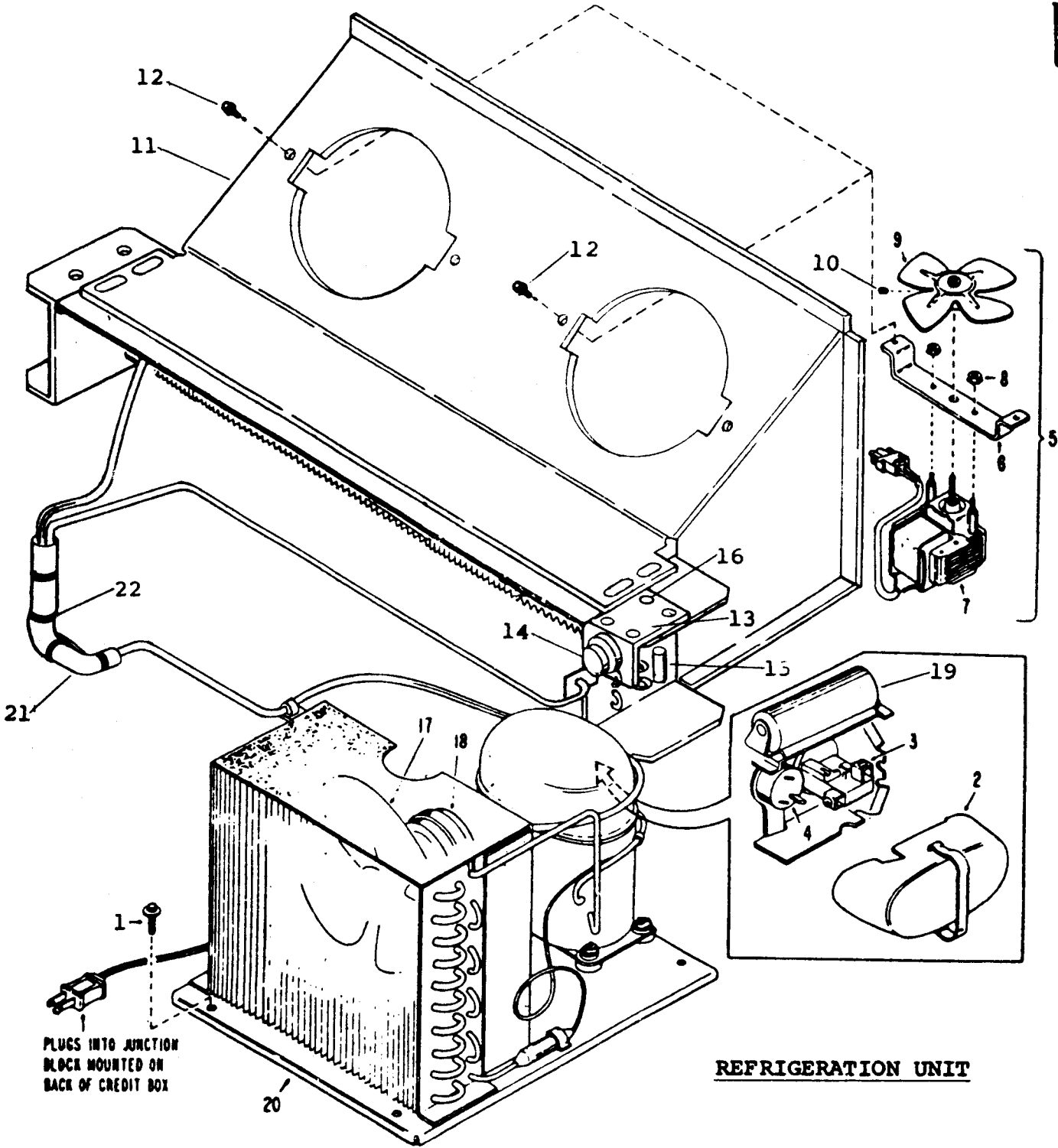
LOADING RACK  
KIT #2060-2

VEND COLUMN ASSEMBLY  
V-26445-A

ITEM	PART NO.	DESCRIPTION
1	V-26104	Can Stop Handle
2	V-26221	Spring
3		
4	V-25499-1	Loading Rack
5	ST-10157	Chain 10 1/8
6	V-11849	Hook - Carton Support
7		
8		
9		
10	V-26116-1	Delivery Chute
11	V-26115-A	Mounting Brkt. Assy. - S/O Switch
12	V-26253	Insulator - Soldout Switch
13	V-26231	Sold Out Switch (D.P.D.T. Special)
14	ST-11154	4-40 X 1" SW Tapping Screw

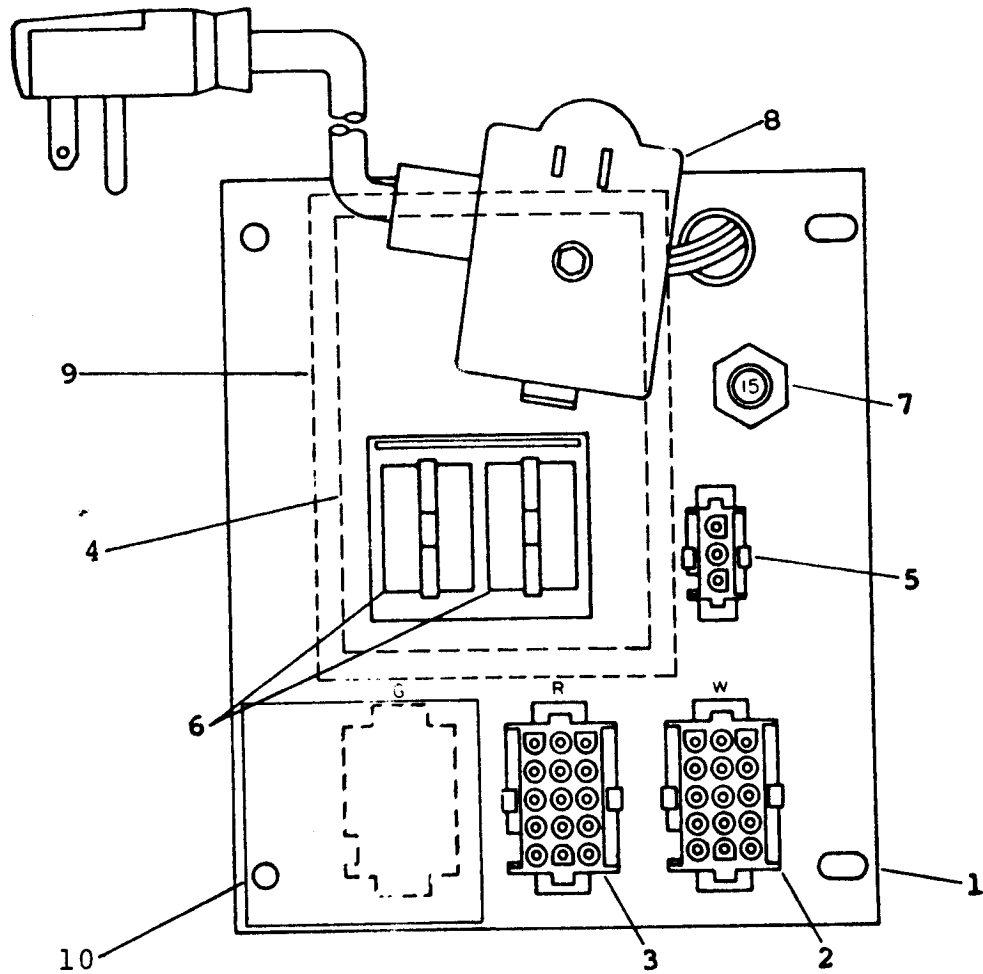
KIT  
#2060-2





**REFRIGERATION UNIT**

ITEM	PART NO.	DESCRIPTION	ITEM	PART NO.	DESCRIPTION
1	ST-10692	1/4-20 X 3/4 Hex. Flg. Screw	12	ST-2568	8-32 X 3/8 Hex Flg. Bracket Thermostat
2	VS-247	Relay Cover With Clip	13	V-25591-1	Bracket Thermostat Cold Control (Cutler Hammer)
3	VS-261	Starting Relay	14	V-25913	Thermo-Mastic 440.5 Theimite Sealant
4	VS-260	Thermal Overload Sw.	15	V-13773	8-32 X 1/4 Hex Flg. Condenser Fan Blade
5	V-26165-A	Mtg. Brkt. Fan & Motor Assy.	16	ST-2566	Condenser Fan Motor
6	V-26164	Mtg. Brkt. - Motor	17	VS-222	Capacitor - 145/175 Mfd. 117VAC
7	V-25630	Evap. Motor	18	VS-254	1/3 HP Refrig. Unit
8	ST-3417	6-32 Keps Nut	19	VS-246	Sponge Rubber Tubing
9	V-25773	Fan- 6"	20	V-26011-1A	Sta-Strap Cable Tie
10	ST-10192	10-32 Nylok Set Screw	21	V-14553-9.5	
11	V-26207-A	Evaporation Fan Housing	22	ST-10307	

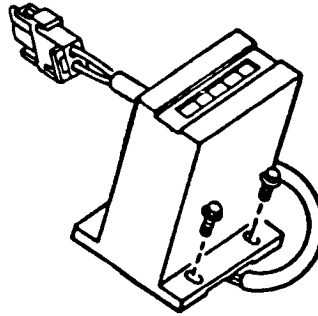


CREDIT BOX

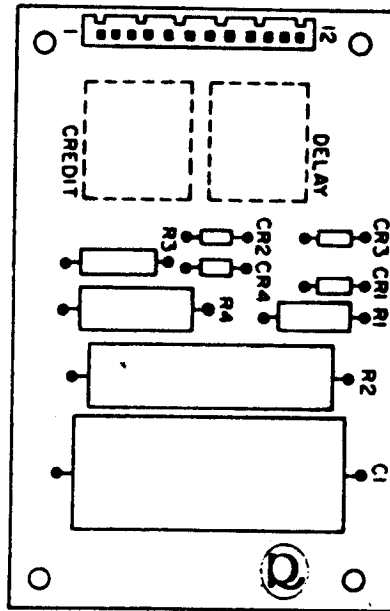
ITEM	PART NO.	DESCRIPTION
1	V-26238	Credit Plate
2	ST-10500	15 CKT Universal Socket Hsg - Wht.
3	ST-10500-02	15 CKT Universal Socket Hsg - Red
4	V-26240-A	Credit P.C.B. Assembly
5	ST-10589	3 CKT Universal Socket Hsg
6	V-26270	2 DPDT Relay 120 VAC
7	V-23587	15 Amp Thermal Circuit Breaker
8	V-25387-1A	Junction Block Assembly (W/Service Cord)
9	V-26424	Time Delay Board Cover
10	V-26484	C.B. Plug Cover



COUNTER & PLUG ASSEMBLY  
KIT # 2271



TIME DELAY P.C. BOARD ASSEMBLY  
V-26240-A



ITEM	PART NO.	DESCRIPTION	REF. DES.	MFG. PART NO.
1	V-26269	TIME DELAY P.C. BOARD		
2	V-10652	RESISTOR, 15W 10%	R2	1.5K OHM
3	33362	RESISTOR, 1W 5%	R1, R3	27K OHM
4	V-25440	RECTIFIER, 1000 PIV 1.5A	CR1, CR2, CR3, CR4	
5	V-22604	CAPACITOR, 200V +50-10%	C1	110 MFD
6	54372	RESISTOR, 5W 5%	R4	4.7K OHM
7	V-26270	2DPDT RELAY 120VAC		
8	ST-10654	12 CIRCUIT POST CONNECTOR		

