

SECTION 8:

PARTS CATALOG

INTRODUCTION	8-3
Catalog Description	8-3
Parts List Description	8-3
Ordering Replacement Parts	8-3

PARTS CATALOG

C-2/4 Door Assembly	8-5
C-2/4 Cabinet Assembly	8-9
C-2/4 Hopper Assembly	8-11
C-2/4 Coin Dispenser Assembly	8-13
C-6 Door Assembly	8-15
C-6 Cabinet Assembly	8-19
C-6 Hopper Assembly	8-21
C-6 Coin Dispenser Assembly	8-23
C-6 Change Bucket Assembly	8-25
Electrical Box Assembly	8-26
Accessory Kits	8-27

This page intentionally left blank.

INTRODUCTION

This parts catalog lists procurable replacement parts for the Century Series Bill Changer. The purpose of this parts catalog is to help you locate and identify replaceable components and supply information on how to order them.

Catalog Description

This catalog is divided into sections (*figures*), which include a parts list and corresponding illustration. Some assemblies require more than one illustration to identify its parts. In this case, each included page has a sheet number to identify it as part of one assembly.

Since replacing parts that are welded or riveted onto an assembly is normally impractical, replacement parts are not listed for these items. The assembly that contains the welded part should be replaced.

Parts List Description

The parts list contains four columns:

- **Reference Number** — The reference number is used to identify a part on the illustration. The abbreviation "Ref" is used in place of a number when items are listed for reference purposes only, or when the item listed is an alternate part.
- **Rowe Part Number** — This column lists the part number to use when ordering replacement parts or making inquiries.
- **Description** — This column gives a description of each part or assembly. Items are indented with a "bullet" (·) to show their relationship to the next higher assembly.
- **Qty** — This column contains the part quantity used in the assembly. When a figure describes more than one model of an assembly, the "Qty" column is divided to show each model.

Ordering Replacement Parts

All replacement parts must be ordered directly from an Authorized Rowe® Distributor.

A Standard Parts Order Form is available from your Rowe® Distributor at no charge. Parts orders are often delayed because of inadequate information on parts order forms. To enable prompt delivery, *always* specify the following information:

- **Part Number and Description** (indicate color, if applicable)
- **Quantity Required**
- **Machine Model and Serial Number**
- **Complete Shipping Address**, including the ZIP code
- **Shipping Instructions** (Must be included). If the shipping method is Parcel Post, Air Parcel Post, United Parcel Service, or Air UPS, and the packages may exceed the size and weight limits of these services, indicate an alternate shipping method.

If the shipment must be delivered as fast as possible, specify "Fastest Way". Rowe® will select the carrier for orders that justify shipment by truck.

Figure 8-1. C-2/4 Door Assembly

Sheet 1

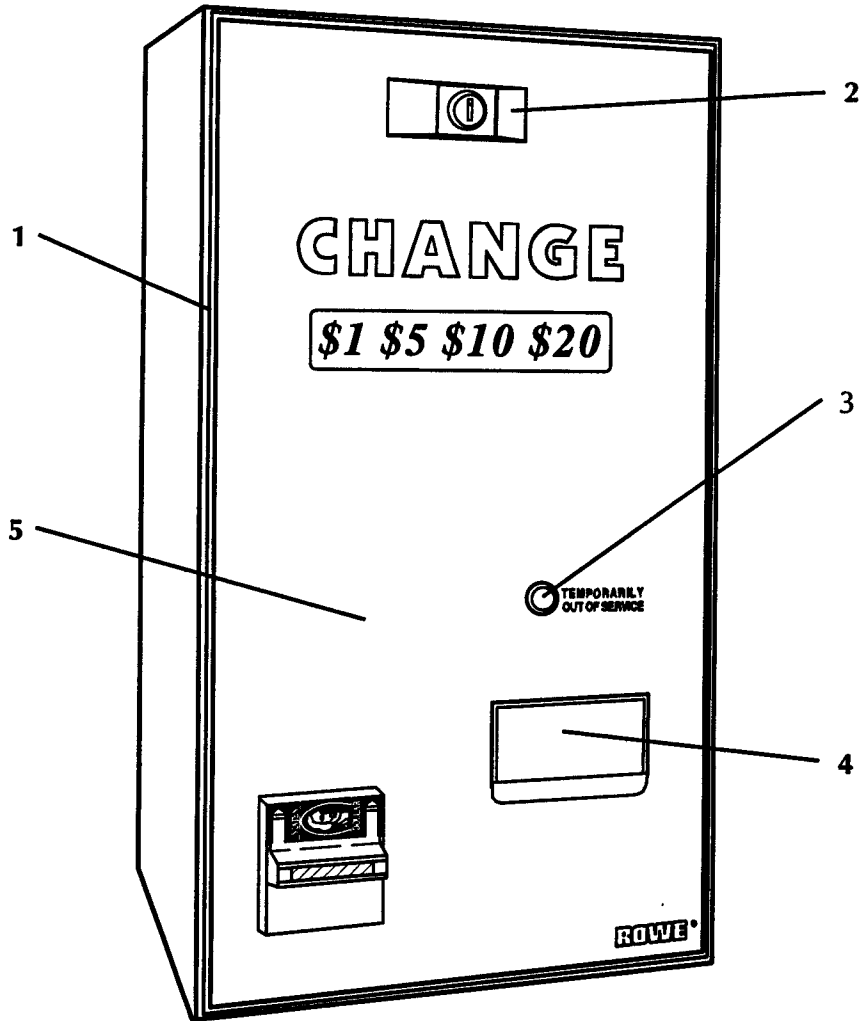


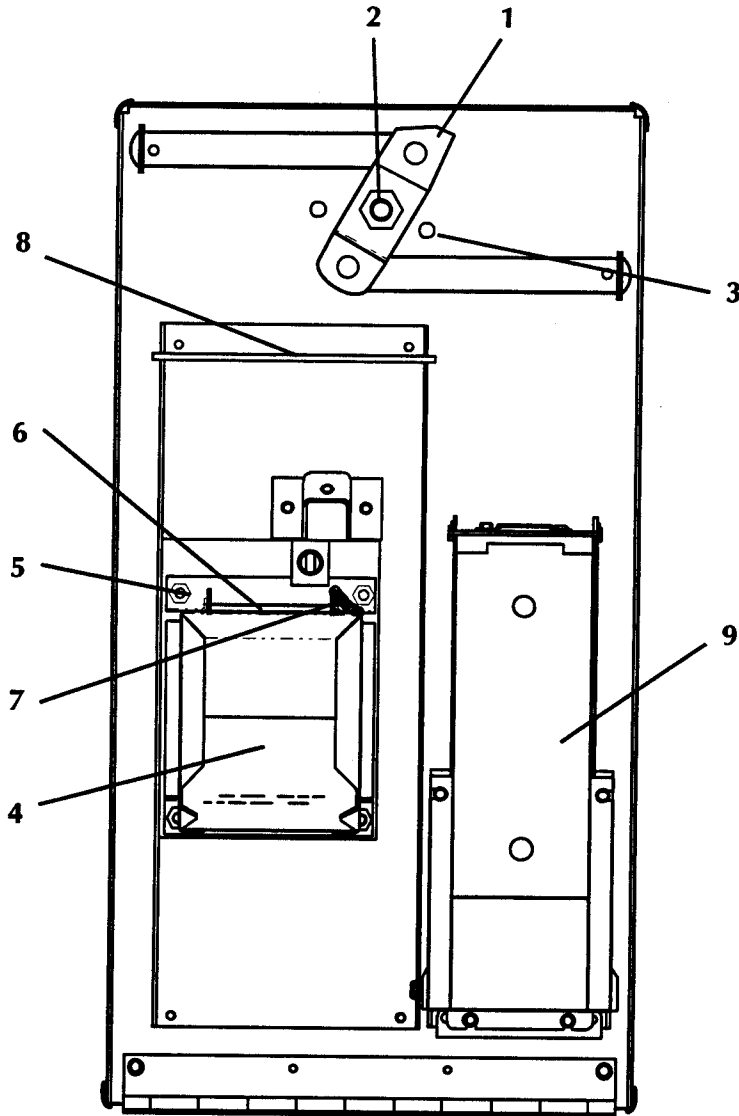
Figure 8-1. C-2/4 Door Assembly, Sheet 1

Ref.	Part No.	Description	Qty
1	65430401	C-2/4 Door Weld Assembly	1
2	47901420	T-Handle Assembly - Pop Out (Without Lock Cylinder and Key)	1
3	25251801	Light - Indicator (Temporarily Out of Service)	1
4	35116901	Door - Change Cup	1
5	45107403	Label - Door (Domestic)	1

Figure 8-1. C-2/4 Door Assembly

Sheet 2

Hopper and Dispenser Removed*



**For Hopper Parts, See Figure 8-3
For Dispenser Parts, See Figure 8-4*

Figure 8-1. C-2/4 Door Assembly, Sheet 2

Ref.	Part No.	Description	Qty
1	35131403	Lockbar Assembly	1
2	21357815	Nut - Elastic Stop (1/2 - 13 UNC)	1
3	70134103	#10-24 Carriage Bolt	2
4	45085601	Cup Assembly - Coin	1
5	35121501	Coin Cup Mounting Bracket	2
6	25239701	Coin Cup Door Shaft	1
7	25181701	Tension Spring	1
8	25253701	Rod - Support.....	1
Bill Acceptor Options			
9	25530230	CBA-2 - \$1 & \$5	1
	65073230	CBA-4 - \$1, \$2, \$5, \$10, & \$20.....	1

Figure 8-2. C-2/4 Cabinet Assembly

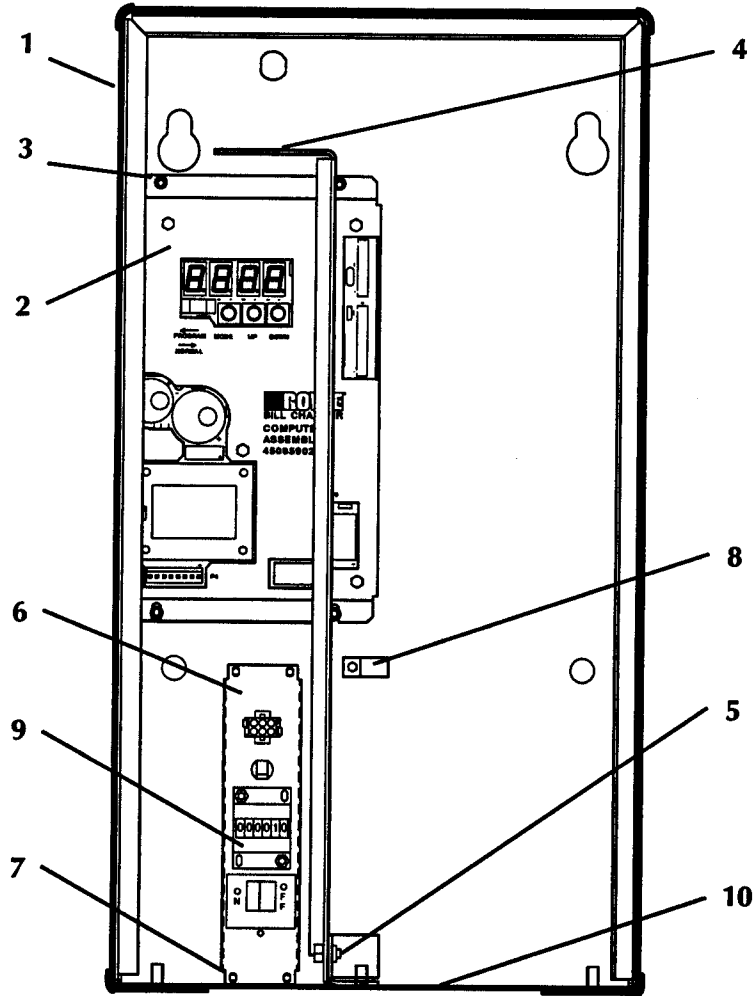


Figure 8-2. C-2/4 Cabinet Assembly

Ref.	Part No.	Description	Qty
1	65430704	• C-2/4 Cabinet Weld Assembly	1
2	45085902	• Computer Assembly	1
	45085205	• • Cover - Computer	1
	65095402	• • Circuit Board Assembly - Computer	1
		(See Section 7 for Circuit Board Layout & Components)	
3	25249102	• Insulation - Base	1
4	65093901	• Catch - Door Position	1
5	25248001	• Standoff - Male	2
6	45085303	• Electrical Box Assembly (See Figure 8-11)	1
7	35132801	• Plate - Electrical Box	2
8	70093403	• Clamp - Cable (1 inch)	1
9	25065710	• Counter Assembly	1
10	25250901	• Spacer - Hinge	2

Parts Not Shown:

35131301	• Power Cord Assembly	1
70232301	• Strain Relief - Right Angle	1
45108101	• Harness Assembly - Dispenser	1
45109102	• Harness Assembly - Power	1
45108206	• Harness Assembly - Computer to CBA2 B.A.	1
45108201	• Harness Assembly - Computer to CBA4 B.A.	1
45108203	• Harness Assembly - Computer to MARS/COINCO B.A.	1
45108204	• Harness Assembly - Power (MARS/COINCO B.A.)	1
45108205	• Harness Assembly - Computer to Cashcode B.A.	1

Figure 8-3. C-2/4 Hopper Assembly

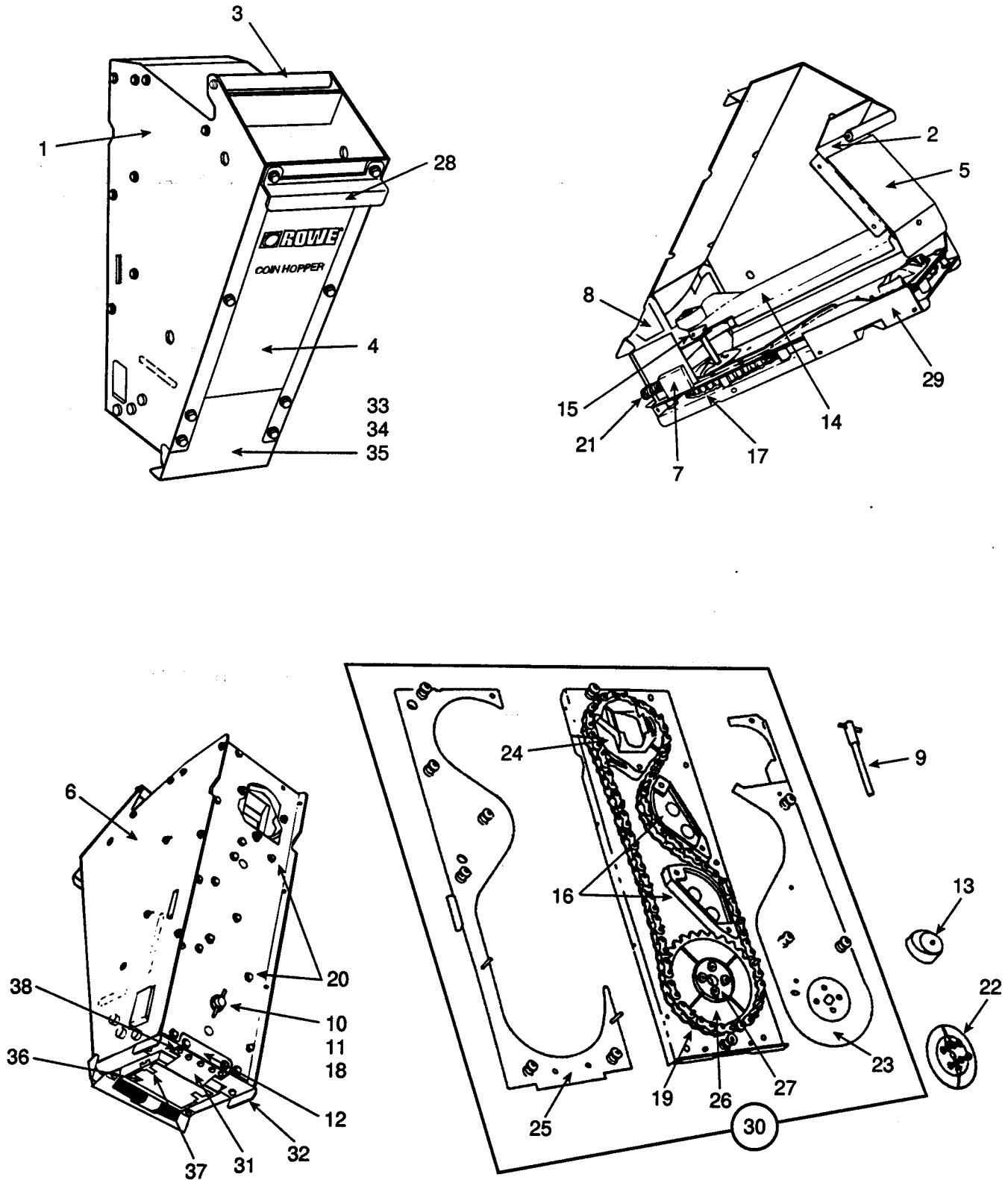


Figure 8-3. C-2/4 Hopper Assembly

Ref.	Part No.	Description	Qty
	65094904	Hopper Assembly (Standard Quarter, Dime, Nickel)	Ref.
	65094905	Large Coin Hopper Assembly	Ref.
	65094906	Large Token Hopper Assembly	Ref.
1	45032401	• L.H. Side Assembly	1
2	45031501	• Top Assembly	1
3	25098101	• Bar Handle	1
4	35044622	• Front Cover	1
	35044623	• Front Cover (Large Coin Hopper Assy.)	1
	35044625	• Front Cover (Large Token Hopper Assy.)	1
5	35133501	• Latch Plate	1
6	45032501	• R.H. Side Assembly	1
7	65028202	• Sliding Funnel	1
8	65027903	• Fixed Funnel	1
9	25113701	• Drive Shaft And Pin Assembly	1
	25113702	• Drive Shaft And Pin Assembly (Large Token Hopper Assy.)	1
10	70120903	• Washer	1
11	70121624	• Spacer	2
12	35048801	• Tie Bracket	1
13	35047201	• Agitator Cam	1
	35047202	• Agitator Cam (\$1 Coin) (Large Coin Hopper Assy.)	1
	35051801	• Agitator Cam (Large Token Hopper Assy.)	1
14	45032101	• Coin Baffle And Stud Assembly (Quarter, Dime, Nickel)	1
	45032102	• Coin Baffle And Stud Assembly (Large Token Hopper Assy.)	1
15	70146006	• Nylon Bearing	1
16	35048501	• Chain Guide	2
17	35060501	• Plate and Post Assembly	1
18	70146021	• Nylon Bearing	1
19	35043703	• Extended Pin Chain	1
	35042703	• Extended Pin Chain (Large Token Hopper Assy.)	1
20	70134109	• Special Screw (Black)	2
21	25113401	• Compression Spring	2
22	45034205	• Coin Agitator	1
	45034204	• Coin Agitator (Large Token Hopper Assy.)	1
23	35044502	• Inner Coin Guide Assembly	1
	35044504	• Inner Coin Guide Assembly (Large Token Hopper Assy.)	1
24	65028803	• Chain Guide Ring	1
25	45031902	• Outer Coin Slide Assembly	1
	45031903	• Outer Coin Slide Assembly (Large Token Hopper Assy.)	1
26	45035601	• Sprocket	1
27	35047101	• Drive Spacer	1
28	25165902	• Hopper Handle	1
29	25226901	• Coin Ramp	1
	<i>This assembly, including items 23 and 25, is available as a replacement part as follows:</i>		
30	47000601	• • Coin and Chain Guide Assembly	1
	25071202	• Agitator Assembly - Upper (Coin Hopper)	1
31	45106901	• CBA - Low Coin Sensor	1
32	35142901	• BRKT - Contact MTG	1
33	25553001	• Flattener - Antenna	1
34	70220804	• Tape - Foamed	1
35	45107301	• BRKT - Antenna Cover	1
36	35173901	• Cover - Circuit Board	1
37	21776009	• Fastener - Speed Clip	2
38	25552301	• Spacer - Contact Board	3

Figure 8-4. C-2/4 Coin Dispenser Assembly

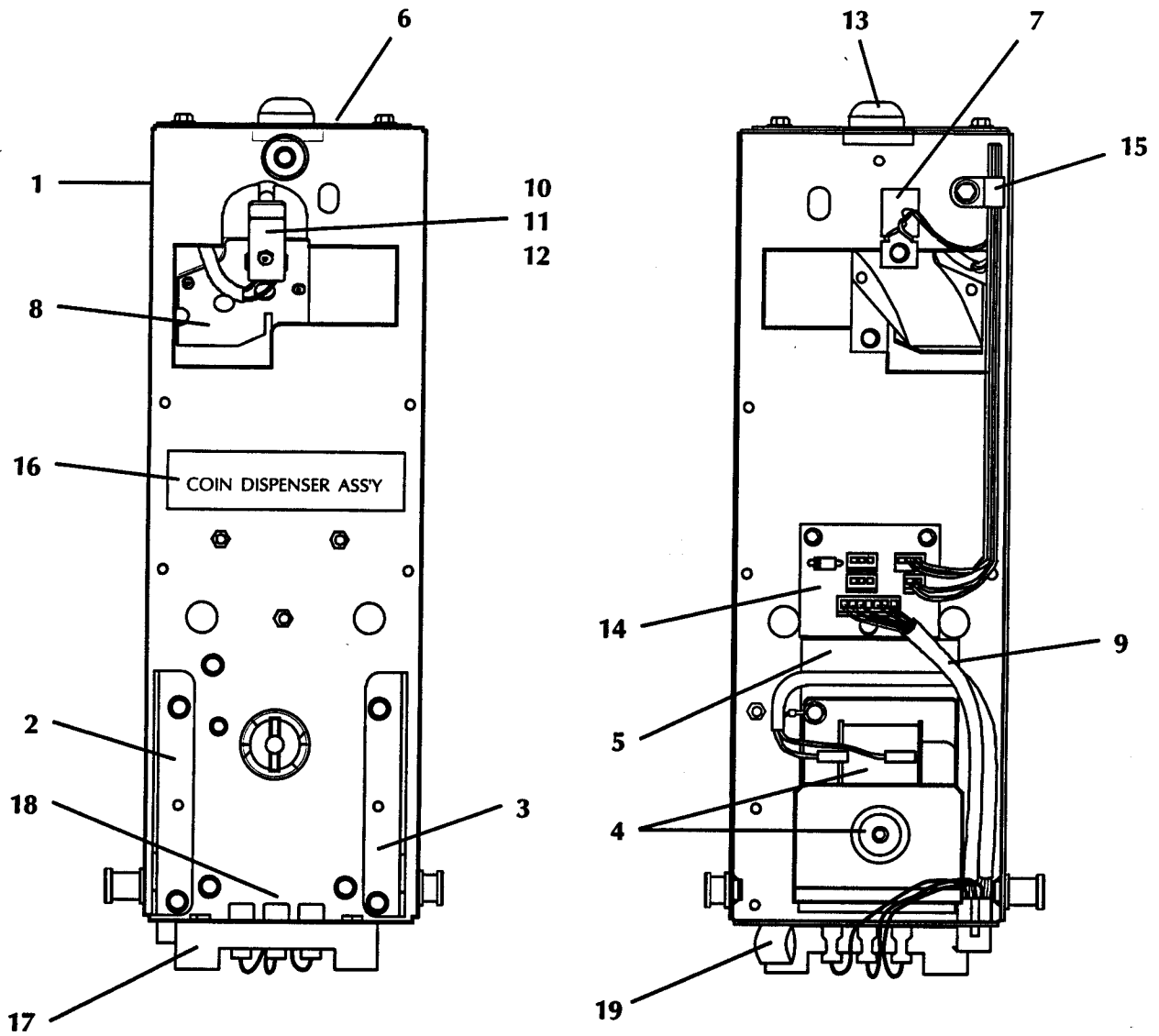


Figure 8-4. C-2/4 Coin Dispenser Assembly

Ref.	Part No.	Description	Qty
	65094804	Dispenser Assembly	
1	45035313	• Frame and Pivot Assembly	1
2	35044701	• Bracket-Mounting (Hopper L.H.)	1
3	35044801	• Bracket-Mounting (Hopper R.H.)	1
4	35049102	• Hopper Drive Motor Assembly	1
	45034102	• • Hopper Drive Motor	1
	45034001	• • Ratchet Coupling	1
	25097701	• • Compression Spring	1
	70110126	• • Groove Pin (1/8 x 3/4)	1
	37004601	• • Gear Box Motor	1
	70120904	• • Nylon Washer	1
5	35046401	• Bracket-Mounting (Motor)	1
6	25112701	• Bumper-Rubber	1
7	45076101	• Holder Assembly - LED	1
	70035315	• • LED	1
8	45035005	• Coin Chute Assembly - Hopper	1
9	65065339	• Harness Assembly - Dispenser	1
10	25175702	• Photo Detector Board and Terminal Assembly	1
11	70121626	• Spacer (Nylon)	1
12	35048202	• Cover-Terminal Board	1
13	25248902	• Holddown Plate Assembly	1
14	45076401	• Circuit Board Assembly - Interconnect	1
15	70093103	• Cable Clamp 1/4	1
16	25189418	• Label - Coin Dispenser	1
17	35142801	• BRKT - Contact MTG (Dispenser)	1
18	25552401	• Board & Spring Contact Assembly	1
19	70093401	• Clamp - Cable 17/32	1

Figure 8-5. C-6 Door Assembly

Sheet 1

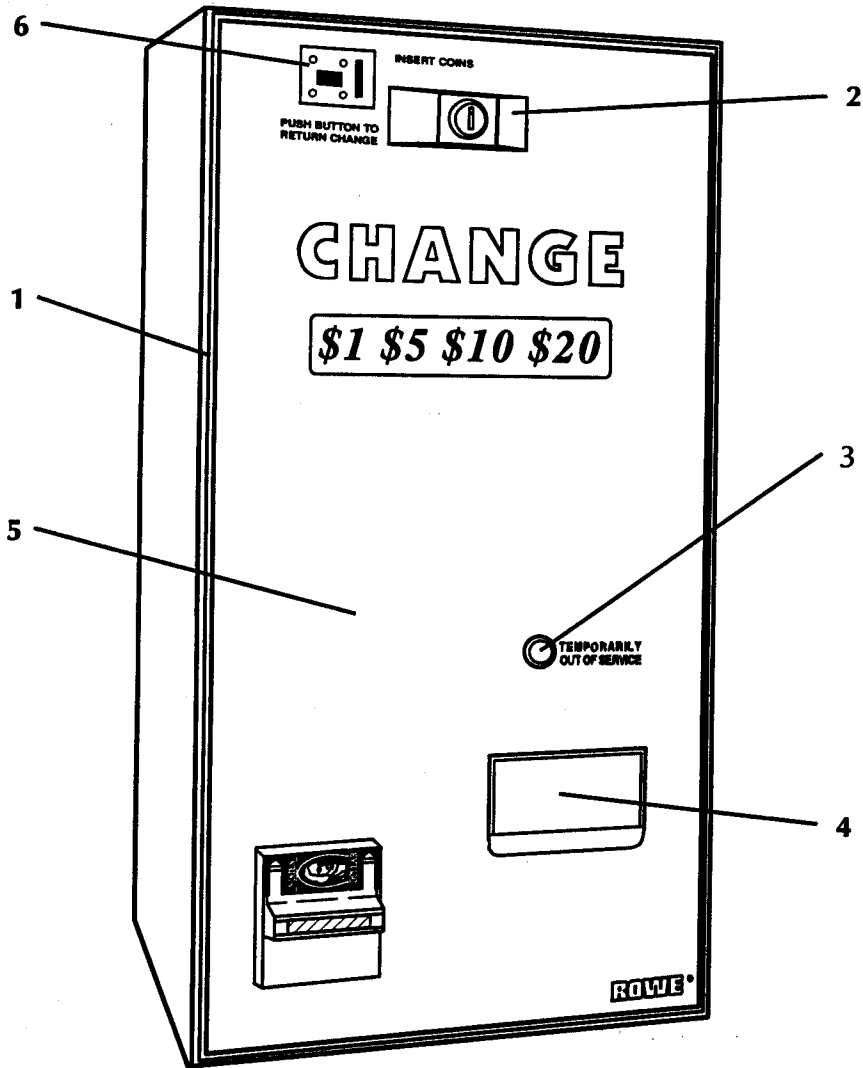


Figure 8-5. C-6 Door Assembly, Sheet 1

Ref.	Part No.	Description	Qty
1	65430403	C-6 Door Weld Assembly	1
2	47901420	T-Handle Assembly - Pop Out (Without Lock Cylinder and Key)	1
3	25251801	Light - Indicator (Temporarily Out of Service)	1
4	35116901	Door - Change Cup	1
5	65431001	Label - Door (C-6 Domestic With Coin Acceptor)	1
	65431003	Label - Door (C-6 Domestic - No Coin Acceptor)	1
6	35143601	Trim Plate (With Coin Acceptor)	1
	35143602	Trim Plate (No Coin Acceptor)	1

Figure 8-6. C-6 Door Assembly

Sheet 2

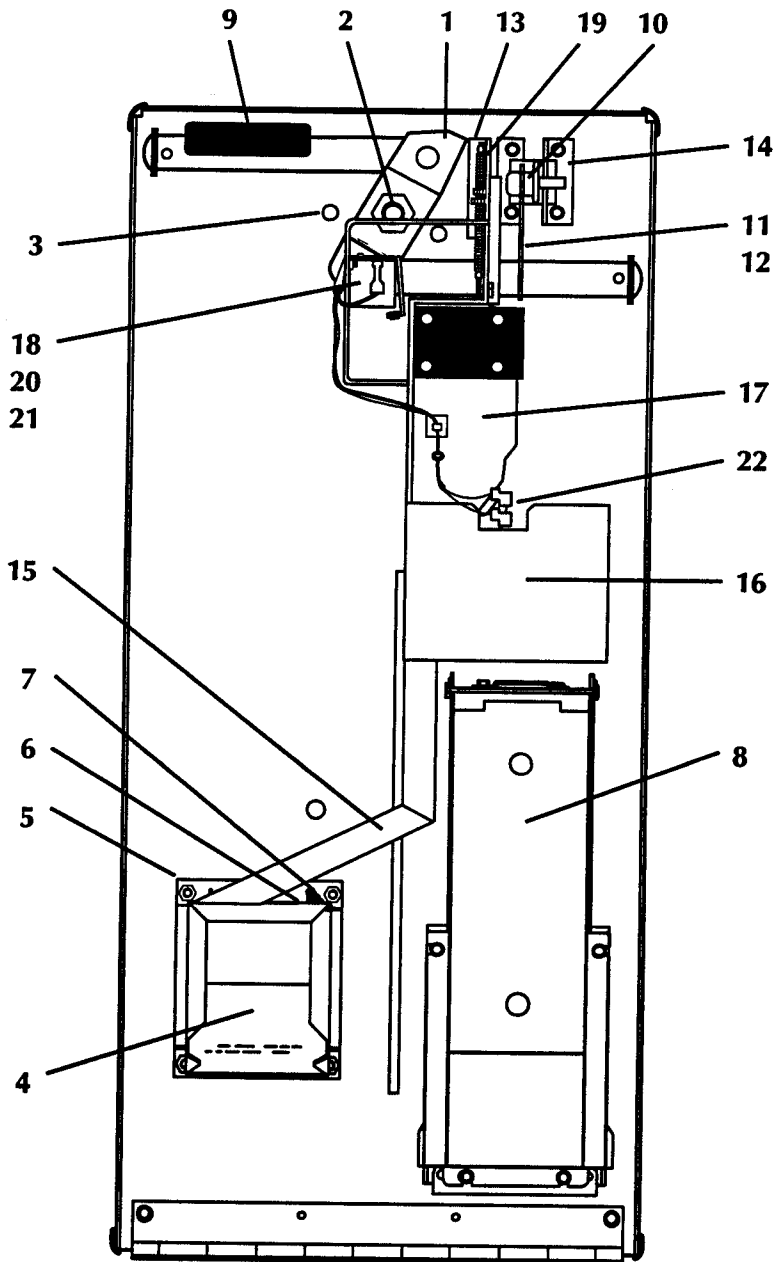


Figure 8-6. C-6 Door Assembly, Sheet 2

Ref.	Part No.	Description	Qty
1	35131404	Lockbar Assembly	1
2	21357815	Nut - Elastic Stop (1/2 - 13 UNC)	1
3	70134103	#10-24 Carriage Bolt	2
4	45085603	Cup Assembly - Coin	1
5	35121501	Coin Cup Mounting Bracket	2
6	25239701	Coin Cup Door Shaft	1
7	25181701	Tension Spring	1
8	65073229	CBA-4 - \$1, \$2, \$5, \$10, & \$20	1
9	25190006	Foam Pad	1
Coin Acceptor Parts			
10	25056504	Button & Blade Assembly - Reset	1
11	35143701	Bracket - Actuator	1
12	70143003	Ring - External Retaining	2
13	45109201	Bracket & Chute Assembly - Coin Acceptor	1
14	25553201	Bracket - Stop (Reject Lever)	1
15	45108601	Chute Assembly - Coin (Reject)	1
16	45108901	Box Assembly - Coin	1
17	30984404	Holder Assembly - Coin Mech	1
18	70093103	Clamp - Cable (1/4)	1
19	21083601	Spring - Tension	1
The Following Parts Used With Mechanical Coin Acceptor Only			
20	35031703	Lockout w/Magnet (IMONEX)	1
21	35174301	Bracket - Magnetic Lockout.....	1
22	21990203	Coin Switch & Bracket Assembly	1
Parts Not Shown:			
45108301		Harness Assembly - Computer to Coin Acceptor (Mechanical).....	1
45108302		Harness Assembly - Computer to MARS 330 Coin Acceptor.....	1
45108303		Harness Assembly - Computer to Coin Controls C120	1
45108304		Harness Assembly - Computer to MICRO Coin S5	1

Figure 8-7. C-6 Cabinet Assembly

Hopper and Dispenser Removed

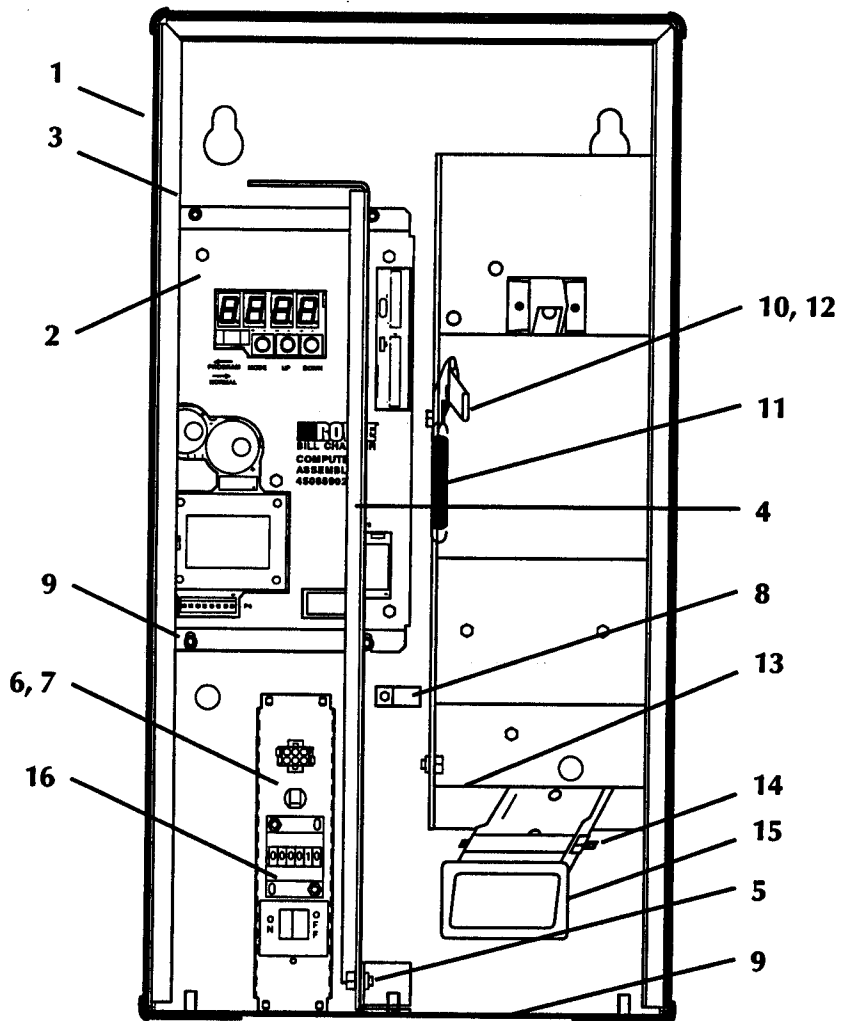


Figure 8-7. C-6 Cabinet Assembly

Ref.	Part No.	Description	Qty
1	65430703	• C-6 Cabinet Weld Assembly	1
2	45085902	• Computer Assembly	1
	45085205	• • Cover - Computer	1
	65095402	• • Circuit Board Assembly - Computer	1
		• (See Section 7 for Circuit Board Layout & Components)	
3	25249102	• Insulation - Base	1
4	65093903	• Catch - Door Position	1
5	25248001	• Standoff - Male	2
6	45085303	• Electrical Box Assembly (See Figure 8-11)	1
7	35132801	• Plate - Electrical Box	2
8	70093403	• Clamp - Cable (1 inch)	1
9	25250902	• Spacer - Hinge	2
10	35110801	• Latch Assembly - Hopper	1
11	25181701	• Tension Spring	1
12	25226801	• Pivot - Latch	1
13	35174401	• Bracket - Mounting Dispenser Chute	1
14	35174501	• Chute - Dispenser	1
15	45109601	• Guard - Coin	1
16	25065710	• Counter Assembly	1

Parts Not Shown:

65092901	• Hi Capacity Hopper Assembly (Small Coins) (See Figure 8-8)	1
65092902	• Hi Capacity Hopper Assembly (Large Coins) (See Figure 8-8)	1
65094805	• Coin Dispenser Assembly (Low Coin) (See Figure 8-9)	1
45108101	• Harness Assembly - Dispenser	1
45109102	• Harness Assembly - Power	1
45108201	• Harness Assembly - Computer to CBA4 B.A.	1
45108203	• Harness Assembly - Computer to MARS/COINCO B.A.	1
45108204	• Harness Assembly - Power (MARS/COINCO B.A.)	1
45108205	• Harness Assembly - Computer to Cashcode B.A.	1

Figure 8-8. C-6 Hopper Assembly

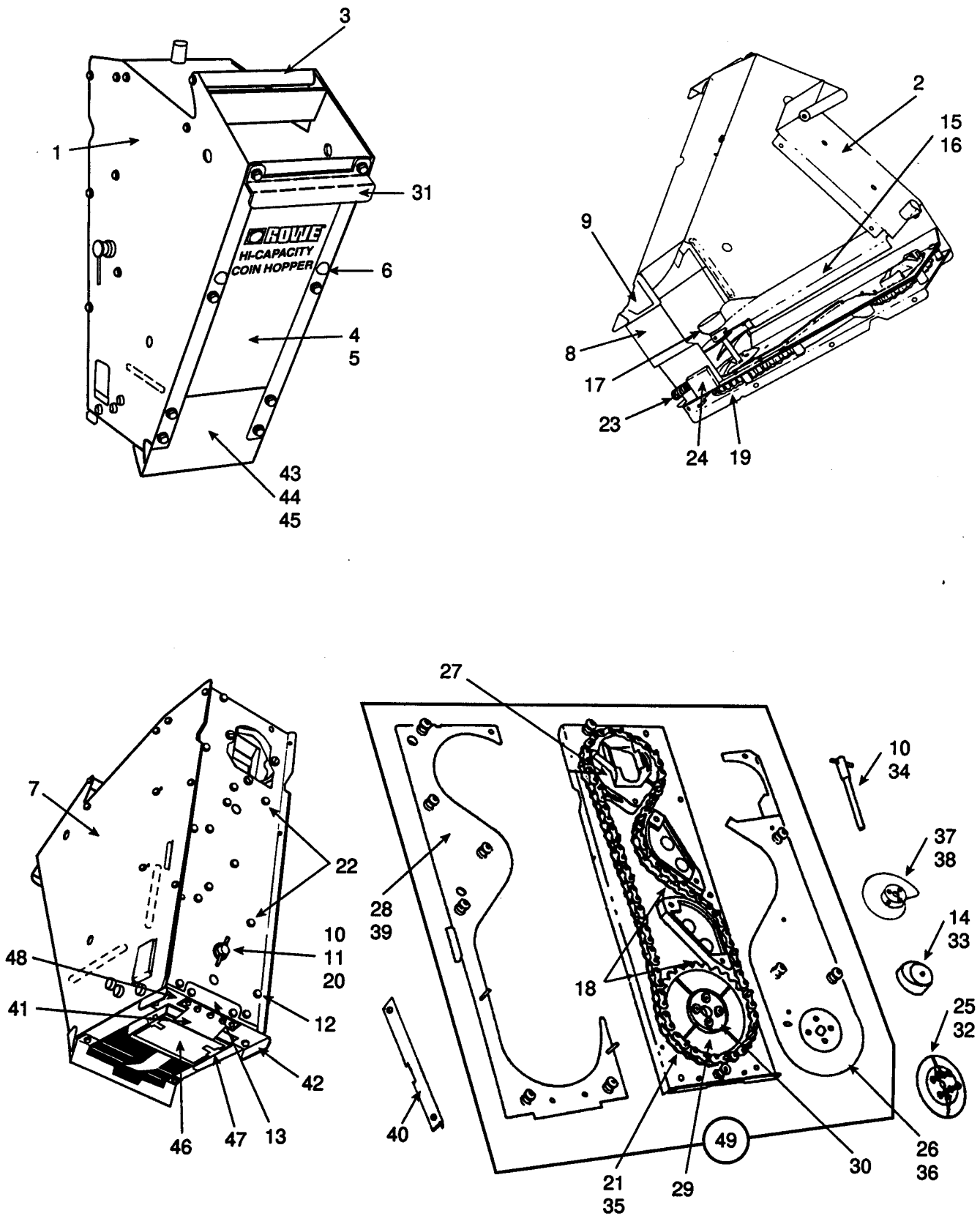


Figure 8-8. C-6 Hi Capacity Hopper Assembly

Ref.	Part No.	Description	Qty
	65092901	Hi-Capacity Hopper Assembly (Small Coins).....	Ref.
	65092902	Hi-Capacity Hopper Assembly (Large Coins).....	Ref.
1	45032403	• L.H. Side Assembly	1
2	35074201	• Top Assembly.....	1
3	25098101	• Hopper Handle	1
4	35044636	• Front Cover (Small Coins)	1
5	35044637	• Front Cover (Large Coins)	1
6	25114701	• Bumper	1
7	45032503	• R.H. Side Assembly	1
8	65027902	• Hopper Funnel (Intermediate)	1
9	65027903	• Fixed Funnel.....	1
10	25113701	• Drive Shaft And Pin Assembly (Small Coins)	1
11	70120903	• Washer	1
12	70121624	• Spacer	2
13	35048801	• Tie Bracket	1
14	35058101	• Agitator Cam (Small Coins).....	1
15	45072101	• Coin Baffle And Stud Assembly (Small Coins)	1
	25224501	• • Baffle And Bracket Assembly	1
16	45072102	• Coin Baffle And Stud Assembly (Large Coins)	1
	25224501	• • Baffle And Bracket Assembly	1
17	70146006	• Nyliner Bearing	1
18	35048501	• Chain Guide.....	2
19	35060501	• Plate and Post Assembly	1
20	70146021	• Nyliner Bearing	1
21	35043703	• Extended Pin Chain (Small Coins).....	1
22	70134109	• Special Screw (Black)	2
23	25113401	• Compression Spring	2
24	65028202	• Sliding Funnel	1
25	45034205	• Agitator (Small Coins)	1
26	35044502	• Inner Coin Guide Assembly (Small Coins)	1
27	65028803	• Chain Guide Ring	1
28	45031902	• Outer Coin Slide Assembly (Small Coins)	1
29	45035601	• Sprocket	1
30	35047101	• Drive Spacer	1
31	25165902	• Hopper Handle	1
32	45034204	• Agitator (Large Coins).....	1
33	35058102	• Agitator Cam (Large Coins)	1
34	25113702	• Drive Shaft and Pin Assembly (Large Coins).....	1
35	35043705	• Extended Pin Chain (Large Coins)	1
36	35044504	• Inner Coin Guide (Large Coins)	1
37	25171202	• Upper Agitator Assembly (Large Coins)	1
38	70113013	• Roll Pin (Large Coins).....	1
39	45031903	• Outer Coin Slide Assembly (Large Coins).....	1
40	25226901	• Coin Ramp (Large Coins).....	1
41	45106902	• CBA Low Coin Sensor (Hi Capacity Hopper)	1
42	35142901	• Bracket - Contact Mounting	1
43	25553001	• Flattener - Antenna	1
44	70220804	• Tape - Foamed	1
45	45107302	• Bracket - Antenna Cover	1
46	35173901	• Cover - Circuit Board	1
47	21776009	• Fastener - Speed Clip	2
48	25552301	• Spacer - Contact Board	3
	<i>This assembly, including items 26, 28, 36 and 39, is available as a replacement part as follows:</i>		
49	47000601	• • Coin and Chain Guide Assembly (Small Coins)	1
	47000602	• • Coin and Chain Guide Assembly (Large Coins)	1

Figure 8-9. C-6 Coin Dispenser Assembly

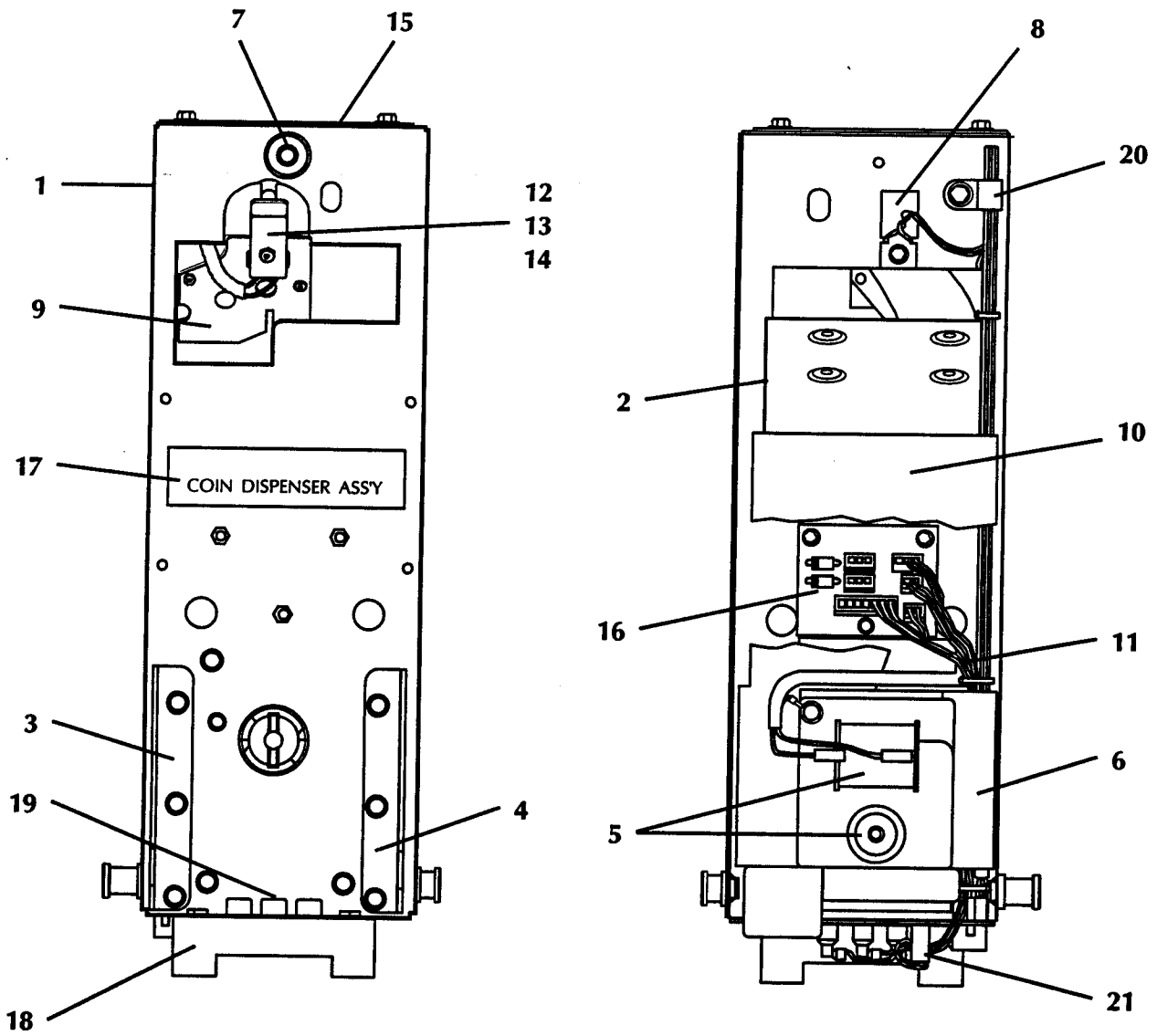


Figure 8-9. C-6 Coin Dispenser Assembly

Ref.	Part No.	Description	Qty
	65094805	Dispenser Assembly	
1	45035313	• Frame and Pivot Assembly	1
2	45032617	• Bucket Assembly - Change (See Figure 8-10)	1
3	35044702	• Bracket-Mounting (Hopper L.H.)	1
4	35044802	• Bracket-Mounting (Hopper R.H.)	1
5	45034102	• Hopper Drive Motor Assembly	1
	45034001	• • Ratchet Coupling	1
	25097701	• • Compression Spring	1
	25151101	• • Extension Coupler - Shaft	1
6	45043601	• Bracket-Mounting (Motor)	1
7	25112701	• Bumper-Rubber	1
8	45076101	• Holder Assembly - LED	1
	70035315	• • LED	1
9	45035005	• Coin Chute Assembly - Hopper	1
10	35068203	• Chute Assembly	1
11	65065341	• Harness Assembly - Dispenser	1
12	25175702	• Photo Detector Board and Terminal Assembly	1
13	70121626	• Spacer (Nylon)	1
14	35048202	• Cover-Terminal Board	1
15	25151702	• Plate - Holddown	1
16	45076404	• Circuit Board Assembly - Interconnect	1
17	25189419	• Label - Coin Dispenser	1
18	35142801	• Bracket - Contact Mtg	1
19	25552401	• Board & Spring Contact Assembly	1
20	70093103	• Clamp - Cable (1/4)	1
21	70093401	• Clamp - Cable (17/32)	1

Figure 8-10. C-6 Change Bucket Assembly

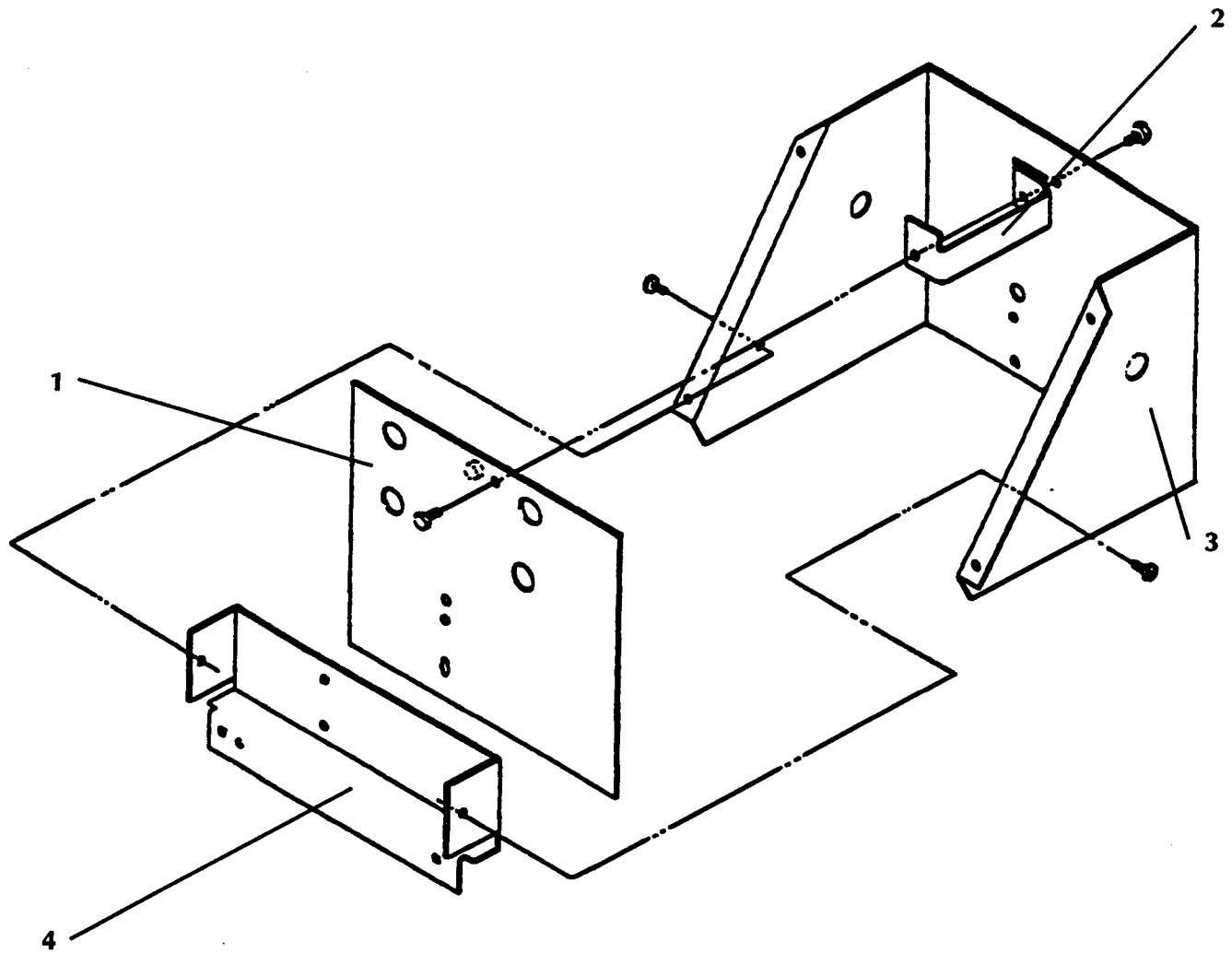


Figure 8-10. C-6 Change Bucket Assembly

Ref.	Part No.	Description	Qty
	45032617	Bucket Assembly - Change	
1	35042003	• Front Plate Assembly	1
2	25112902	• Support Bracket	1
3	45033305	• Bucket Frame Assembly	1
4	25112403	• Coin Chute Mounting Bracket	1

Figure 8-11. Electrical Box Assembly

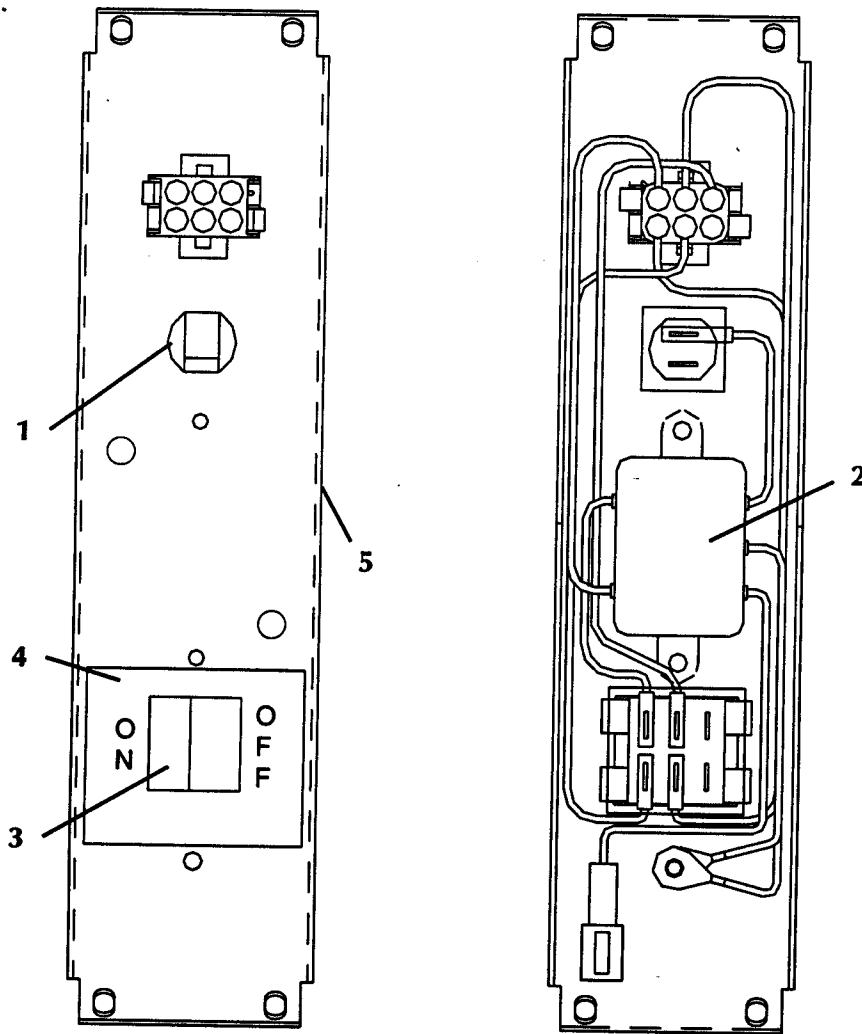


Figure 8-11. Electrical Box Assembly

Ref.	Part No.	Description	Qty
	45085303	Electrical Box Assembly (See Figure 8-2, 8-7)	
1	70073608	• Circuit Breaker (5 Amp)	1
2	35131102	• Filter & Lug Assembly	1
3	30785702	• Rocker Switch (DPST)	1
4	25250101	• Label - On-Off	1
5	45085402	• Box - Electrical	1

C-2/4/6 Accessory Kits

Part No.	Description	Qty.
Heavy Duty Base Kits		
27063602	Heavy Duty Base Kit C-6,	1
27063603	Heavy Duty Base Kit C-2/4	1
Light Duty Base Kits		
27044002	Light Duty Base Kit C-6	1
27044003	Light Duty Base Kit C-2/4	1
Top Filler Kits		
27044101	Top Filler Kit C-2/4	1
27044102	Top Filler Kit C-6	1
Kit-Lock Guard		
27041702	Kit-Lock Guard C-2/4	1
27041703	Kit-Lock Guard C-6	1
Accepted Bills Labels		
35143902	\$1 & \$5	1
35143903	\$1, \$5 & \$10	1
35143904	\$1, \$5, \$10 & \$20	1
35143906	\$5 & \$10	1
35143907	\$5, \$10 & \$20	1

3 5175101 TOKENS

This page intentionally left blank.