

SECTION 7:

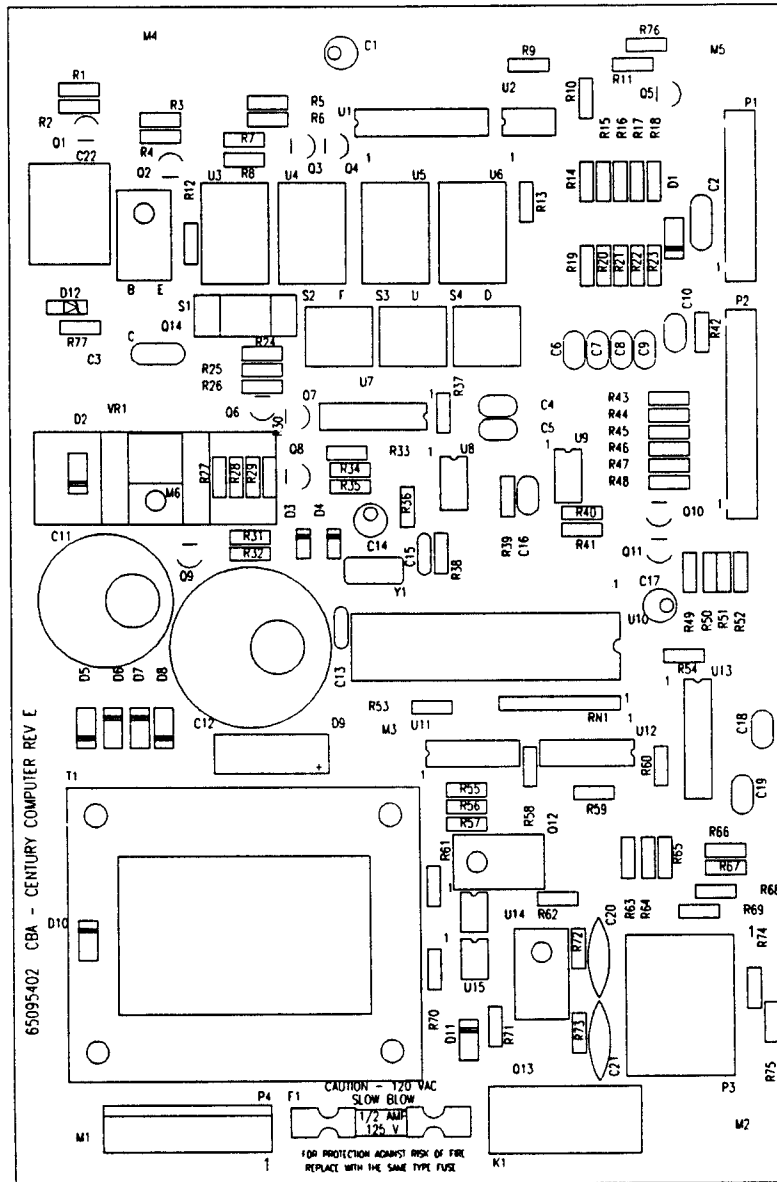
TECHNICAL INFORMATION

INTRODUCTION

The information contained in this section details the electronics found on the Changer Control Computer board, and is not intended for the casual repair person or the novice technician. No attempt should be made to repair the CCC board unless you have had considerable experience troubleshooting and repairing complex, microprocessor controlled electronic circuit boards.

Rowe® recommends that you send any failed CCC boards back to the factory for service.

Figure 7-1
CCC Circuit Board
Layout
65095402



COMPONENTS LIST

CCC CIRCUIT BOARD 65095402 Rev. E

C1	CAPACITOR - ELECTROLYTIC 10 VDC	20%	100 UF	70028128
C2	CAPACITOR - MONOLYTHIC CERAMIC	20%	1 UF	70028521
C3	CAPACITOR - MONOLYTHIC CERAMIC	20%	1 UF	70028521
C4	CAPACITOR - MONOLYTHIC CERAMIC	20%	.1 UF	70028514
C5	CAPACITOR - MONOLYTHIC CERAMIC	20%	.1 UF	70028514
C6	CAPACITOR - MONOLYTHIC CERAMIC	20%	.1 UF	70028514
C7	CAPACITOR - MONOLYTHIC CERAMIC	20%	.1 UF	70028514
C8	CAPACITOR - MONOLYTHIC CERAMIC	20%	.1 UF	70028514
C9	CAPACITOR - MONOLYTHIC CERAMIC	20%	.1 UF	70028514
C10	CAPACITOR - MONOLYTHIC CERAMIC	20%	.1 UF	70028514
C11	CAPACITOR - ELECTROLYTIC 25 VDC	20%	4700 UF	70023613
C12	CAPACITOR - ELECTROLYTIC 50 VDC	20%	2200 UF	70023602
C13	CAPACITOR - MONOLYTHIC CERAMIC	20%	22 PF	70028705
C14	CAPACITOR - ELECTROLYTIC 10 VDC	20%	100 UF	70028128
C15	CAPACITOR - MONOLYTHIC CERAMIC	20%	22 PF	70028705
C16	CAPACITOR - MONOLYTHIC CERAMIC	20%	.1 UF	70028514
C17	CAPACITOR - ELECTROLYTIC 10 VDC	20%	100 UF	70028128
C18	CAPACITOR - MONOLYTHIC CERAMIC	20%	.1 UF	70028514
C19	CAPACITOR - MONOLYTHIC CERAMIC	20%	.1 UF	70028514
C20	CAPACITOR - CERAMIC DISK 1 KV	20%	.01 UF	70022508
C21	CAPACITOR - CERAMIC DISK 1 KV	20%	.01 UF	70022508
C22	CAPACITOR - ELECTROLYTIC 16V LOW ESR	20%	2200 UF	70028311
D1	DIODE - SILICON		1N4004	70035005
D2	DIODE - SILICON		1N4004	70035005
D3	DIODE - SILICON		1N4148	70035012
D4	DIODE - SILICON		1N4148	70035012
D5	DIODE - SILICON		1N4004	70035005
D6	DIODE - SILICON		1N4004	70035005
D7	DIODE - SILICON		1N4004	70035005
D8	DIODE - SILICON		1N4004	70035005
D9	RECTIFIER - BRIDGE		3 AMP	21822503
D10	DIODE - SILICON		1N4004	70035005
D11	DIODE - SILICON		1N4004	70035005
D12	DIODE - ZENER 13V, 1W		1N4743A	70035506
F1	FUSE - SLOW BLOW 1/2 AMP 125V			70072101
K1	RELAY PC BOARD (SPST) 12 VDC			70042410
P1	HEADER - 2.5 MM	12 POS.		70074312
P2	HEADER - 2.5 MM	15 POS.		70074315
P3	HEADER - PC BOARD	12 POS.		30763506
P4	HEADER - POLARIZED .156	8 POS.		70075008
Q1	TRANSISTOR - SILICON PNP		MPSA56	70030104
Q2	TRANSISTOR - SILICON PNP		MPSA56	70030104
Q3	TRANSISTOR - SILICON PNP		MPSA56	70030104
Q4	TRANSISTOR - SILICON PNP		MPSA56	70030104
Q5	TRANSISTOR - SILICON DARLINGTON		TN6725A	70030215
Q6	TRANSISTOR - SILICON NPN		MPSA06	70030008
Q7	TRANSISTOR - SILICON NPN		MPSA06	70030008
Q8	TRANSISTOR - SILICON PNP		MPSA56	70030104

Q9	TRANSISTOR - SILICON NPN	MPSA06	70030008
Q10	TRANSISTOR - SILICON PNP	MPSA56	70030104
Q11	TRANSISTOR - SILICON PNP	MPSA56	70030104
Q12	THYRISTOR - TRIAC	T2500D	70038102
Q13	THYRISTOR - TRIAC	T2500D	70038102
Q14	TRANSISTOR - DARLINGTON NPN	TIP102	70030808
R1	RESISTOR - CARBON FILM 1/4W 5%	10 K	79901103
R2	RESISTOR - CARBON FILM 1/4W 5%	10 K	79901103
R3	RESISTOR - CARBON FILM 1/4W 5%	10 K	79901103
R4	RESISTOR - CARBON FILM 1/4W 5%	10 K	79901103
R5	RESISTOR - CARBON FILM 1/4W 5%	10 K	79901103
R6	RESISTOR - CARBON FILM 1/4W 5%	10 K	79901103
R7	RESISTOR - CARBON FILM 1/4W 5%	10 K	79901103
R8	RESISTOR - CARBON FILM 1/4W 5%	10 K	79901103
R9	RESISTOR - CARBON FILM 1/4W 5%	10 K	79901103
R10	RESISTOR - CARBON FILM 1/4W 5%	2.2 K	79901222
R11	RESISTOR - CARBON FILM 1/4W 5%	10 K	79901103
R12	RESISTOR - CARBON FILM 1/4W 5%	1 K	79901102
R13	RESISTOR - CARBON FILM 1/4W 5%	10 K	79901103
R14	RESISTOR - CARBON FILM 1/4W 5%	4.7 K	79901472
R15	RESISTOR - CARBON FILM 1/4W 5%	4.7 K	79901472
R16	RESISTOR - CARBON FILM 1/4W 5%	4.7 K	79901472
R17	RESISTOR - CARBON FILM 1/4W 5%	4.7 K	79901472
R18	RESISTOR - CARBON FILM 1/4W 5%	4.7 K	79901472
R19	RESISTOR - CARBON FILM 1/4W 5%	100 OHM	79901101
R20	RESISTOR - CARBON FILM 1/4W 5%	100 OHM	79901101
R21	RESISTOR - CARBON FILM 1/4W 5%	100 OHM	79901101
R22	RESISTOR - CARBON FILM 1/4W 5%	100 OHM	79901101
R23	RESISTOR - CARBON FILM 1/4W 5%	100 OHM	79901101
R24	RESISTOR - CARBON FILM 1/4W 5%	4.7 K	79901472
R25	RESISTOR - CARBON FILM 1/4W 5%	4.7 K	79901472
R26	RESISTOR - CARBON FILM 1/4W 5%	10 K	79901103
R27	RESISTOR - CARBON FILM 1/4W 5%	10 K	79901103
R28	RESISTOR - CARBON FILM 1/4W 5%	1 K	79901102
R29	RESISTOR - CARBON FILM 1/4W 5%	1 K	79901102
R30	RESISTOR - CARBON FILM 1/4W 5%	10 K	79901103
R31	RESISTOR - CARBON FILM 1/4W 5%	4.7 K	79901472
R32	RESISTOR - CARBON FILM 1/4W 5%	4.7 K	79901472
R33	RESISTOR - CARBON FILM 1/4W 5%	1 K	79901102
R34	RESISTOR - CARBON FILM 1/4W 5%	1 K	79901102
R35	RESISTOR - CARBON FILM 1/4W 5%	1 K	79901102
R36	RESISTOR - CARBON FILM 1/4W 2%	5.6 K	79902562
R37	RESISTOR - CARBON FILM 1/4W 5%	10 K	79901103
R38	RESISTOR - METAL FILM 1/4W 1%	1 K	799121001
R39	RESISTOR - CARBON FILM 1/4W 5%	1 K	79901102
R40	RESISTOR - CARBON FILM 1/4W 5%	390 OHM	79901391
R41	RESISTOR - CARBON FILM 1/4W 5%	1 K	79901102
R42	RESISTOR - CARBON FILM 1/4W 5%	1 K	79901102
R43	RESISTOR - CARBON FILM 1/4W 5%	220 OHM	79901221
R44	RESISTOR - CARBON FILM 1/4W 5%	220 OHM	79901221
R45	RESISTOR - CARBON FILM 1/4W 5%	1 K	79901102
R46	RESISTOR - CARBON FILM 1/4W 5%	1 K	79901102
R47	RESISTOR - CARBON FILM 1/4W 5%	10 K	79901103
R48	RESISTOR - CARBON FILM 1/4W 5%	10 K	79901103
R49	RESISTOR - CARBON FILM 1/4W 5%	6.8 OHM	79901689

R50	RESISTOR - CARBON FILM 1/4W 5%	10 K	79901103
R51	RESISTOR - CARBON FILM 1/4W 5%	1 K	79901102
R52	RESISTOR - CARBON FILM 1/4W 5%	10 K	79901103
R53	RESISTOR - CARBON FILM 1/4W 5%	10 K	79901103
R54	RESISTOR - CARBON FILM 1/4W 5%	1 K	79901102
R55	RESISTOR - CARBON FILM 1/4W 5%	10 K	79901103
R56	RESISTOR - CARBON FILM 1/4W 5%	10 K	79901103
R57	RESISTOR - CARBON FILM 1/4W 5%	10 K	79901103
R58	RESISTOR - CARBON FILM 1/4W 5%	1 K	79901102
R59	RESISTOR - CARBON FILM 1/4W 5%	10 K	79901103
R60	RESISTOR - CARBON FILM 1/4W 5%	10 K	79901103
R61	RESISTOR - CARBON FILM 1/4W 5%	150 OHM	79901151
R62	RESISTOR - CARBON FILM 1/4W 5%	150 OHM	79901151
R63	RESISTOR - CARBON FILM 1/4W 5%	1 K	79901102
R64	RESISTOR - CARBON FILM 1/4W 5%	4.7 K	79901472
R65	RESISTOR - CARBON FILM 1/4W 5%	4.7 K	79901472
R66	RESISTOR - CARBON FILM 1/4W 5%	1 K	79901102
R67	RESISTOR - CARBON FILM 1/4W 5%	1 K	79901102
R68	RESISTOR - CARBON FILM 1/4W 5%	100 OHM	79901101
R69	RESISTOR - CARBON FILM 1/4W 5%	100 OHM	79901101
R70	RESISTOR - CARBON FILM 1/4W 5%	150 OHM	79901151
R71	RESISTOR - CARBON FILM 1/4W 5%	1.5 K	79901152
R72	RESISTOR - CARBON FILM 1/4W 5%	1.5 K	79901152
R73	RESISTOR - CARBON FILM 1/4W 5%	150 OHM	79901151
R74	RESISTOR - CARBON FILM 1/4W 5%	47 OHM	79901470
R75	RESISTOR - CARBON FILM 1/4W 5%	47 OHM	79901470
R76	RESISTOR - CARBON FILM 1/4W 5%	1.8 OHM	79901189
R77	RESISTOR - CARBON FILM 1/2W 5%	150 OHM	79904151
RN1	RESISTOR NETWORK SIP 5% SIP9	10K X 8	799091030901
S1	SLIDE SWITCH - MICRO MINIATURE		70045001
S2	SWITCH PUSHBUTTON		21773303
S3	SWITCH PUSHBUTTON		21773303
S4	SWITCH PUSHBUTTON		21773303
T1	TRANSFORMER - PC MOUNT		45084403
U1	IC - LED DISPLAY DRIVER	MM5481	30800264
U2	IC - EPROM 128 X 16 SERIAL	93C56	30800263
U3	LED DISPLAY 7 SEGMENT COMMON ANODE		21766708
U4	LED DISPLAY 7 SEGMENT COMMON ANODE		21766708
U5	LED DISPLAY 7 SEGMENT COMMON ANODE		21766708
U6	LED DISPLAY 7 SEGMENT COMMON ANODE		21766708
U7	IC - 1 OF 8 MULTIPLEXER	74HCT151	79930151
U8	IC - UP SUPERVISOR	MAX813L	30800296
U9	IC - DUAL OP AMP	LM358	30800214
U10	MICROCOMPUTER	87C52	70039411
U11	IC - HEX INVERTER OPEN COLLECTOR	74LS05	70037108
U12	IC - HEX INVERTER OPEN COLLECTOR	74LS05	70037108
U13	IC - DRIVER OCTAL SINK	ULN2595A	70036913
U14	IC - OPTOCOUPLER OPTO - TRIAC	IS-3021	70033705
U15	IC - OPTOCOUPLER OPTO - TRIAC	IS-3021	70033705
UX1	SOCKET - IC DIP - 40 (U-10)		70074240
VR1	VOLTAGE REGULATOR - LOW DROPOUT	LM330T-5.0	70036528
Y1	CRYSTAL - QUARTZ 9.216 MHZ		25167323

SECTION 8:

PARTS CATALOG

INTRODUCTION	8-3
Catalog Description	8-3
Parts List Description	8-3
Ordering Replacement Parts	8-3

PARTS CATALOG

C-8, C-10 Door Assembly	8-4
C-8, C-10 Cabinet Assembly	8-8
C-8 Hopper Assembly	8-10
C-10 Hi Capacity Hopper Assembly	8-12
C-8, C-10 Coin Acceptor Assembly	8-14
C-8, C-10 Coin Dispenser Assembly	8-16
C-8, C-10 Change Bucket Assembly	8-18
Electrical Box Assembly	8-20
Accessory Kits	8-21

This page intentionally left blank.

INTRODUCTION

This parts catalog lists procurable replacement parts for the Century Series Bill Changer. The purpose of this parts catalog is to help you locate and identify replaceable components and supply information on how to order them.

Catalog Description

This catalog is divided into sections (*figures*), which include a parts list and corresponding illustration. Some assemblies require more than one illustration to identify its parts. In this case, each included page has a sheet number to identify it as part of one assembly.

Since replacing parts that are welded or riveted onto an assembly is normally impractical, replacement parts are not listed for these items. The assembly that contains the welded part should be replaced.

Parts List Description

The parts list contains four columns:

- **Reference Number** — The reference number is used to identify a part on the illustration. The abbreviation "Ref" is used in place of a number when items are listed for reference purposes only, or when the item listed is an alternate part.
- **Rowe Part Number** — This column lists the part number to use when ordering replacement parts or making inquiries.
- **Description** — This column gives a description of each part or assembly. Items are indented with a "bullet" (·) to show their relationship to the next higher assembly.
- **Qty** — This column contains the part quantity used in the assembly. When a figure describes more than one model of an assembly, the "Qty" column is divided to show each model.

Ordering Replacement Parts

All replacement parts must be ordered directly from an Authorized Rowe® Distributor.

A Standard Parts Order Form is available from your Rowe® Distributor at no charge. Parts orders are often delayed because of inadequate information on parts order forms. To enable prompt delivery, *always* specify the following information:

- **Part Number and Description** (indicate color, if applicable)
- **Quantity Required**
- **Machine Model and Serial Number**
- **Complete Shipping Address**, including the ZIP code
- **Shipping Instructions** (Must be included). If the shipping method is Parcel Post, Air Parcel Post, United Parcel Service, or Air UPS, and the packages may exceed the size and weight limits of these services, indicate an alternate shipping method.

If the shipment must be delivered as fast as possible, specify "Fastest Way". Rowe® will select the carrier for orders that justify shipment by truck.

Figure 8-1. C-8, C-10 Door Assembly

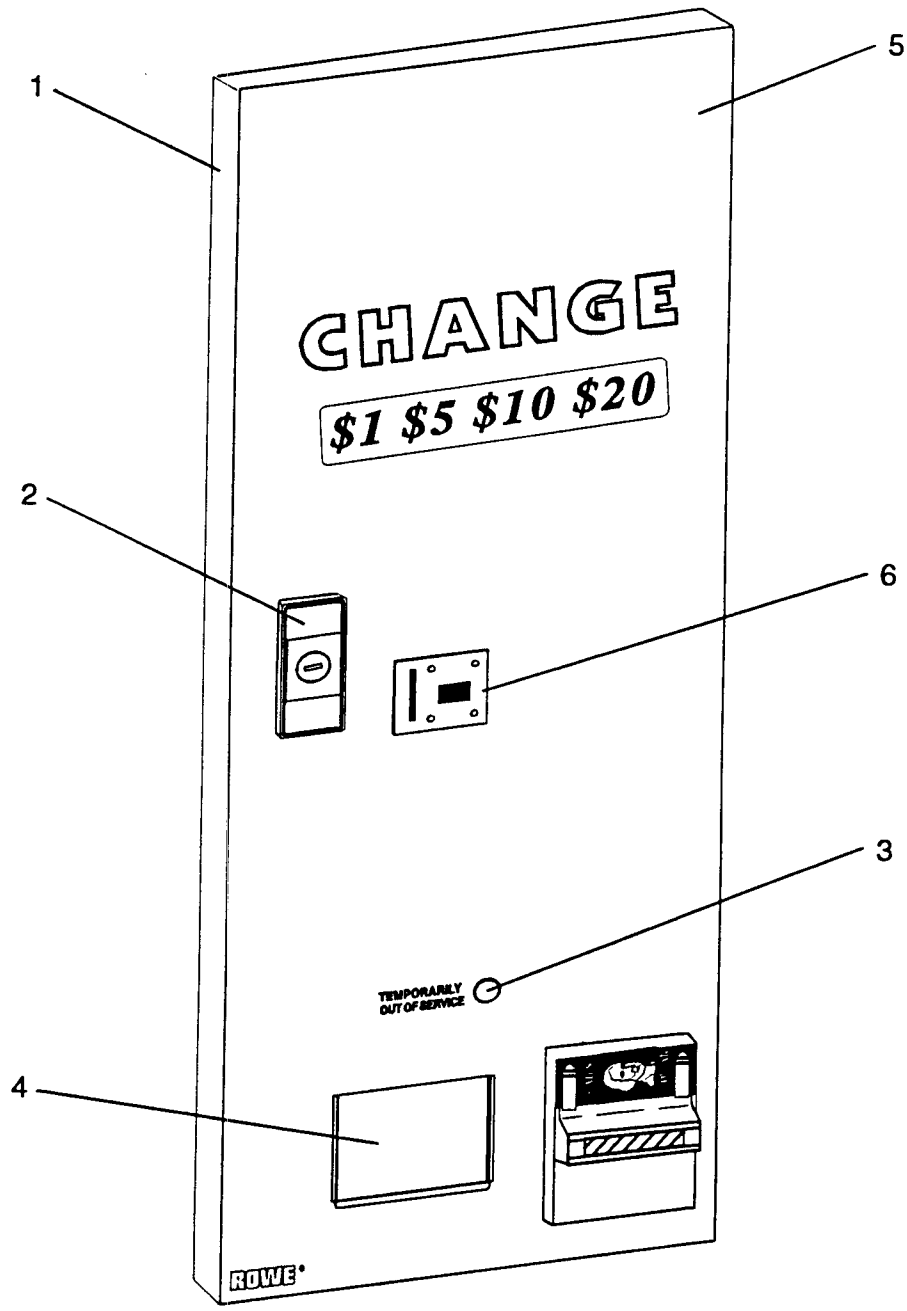


Figure 8-1. C-8, C-10 Door Assembly

Ref.	Part No.	Description	Qty
1	65421002	C-8 Door Weld Assembly	1
	65421001	C-10 Door Weld Assembly	1
2	47901420	T-Handle Assembly - Pop Out (Without Lock Cylinder and Key)	1
3	25251801	Light - Indicator (Temporarily Out of Service)	1
4	35116901	Change Cup Door	1
5	65431401	Label - Door (C-8 Domestic With Coin Acceptor)	1
	65431402	Label - Door (C-8 Domestic - No Coin Acceptor)	1
	65431101	Label - Door (C-10 Domestic With Coin Acceptor)	1
	65431103	Label - Door (C-10 Domestic - No Coin Acceptor)	1
6	35143601	Trim Plate (With Coin Acceptor)	1
	35143602	Trim Plate (No Coin Acceptor)	1

Figure 8-2. C-8, C-10 Door Assembly

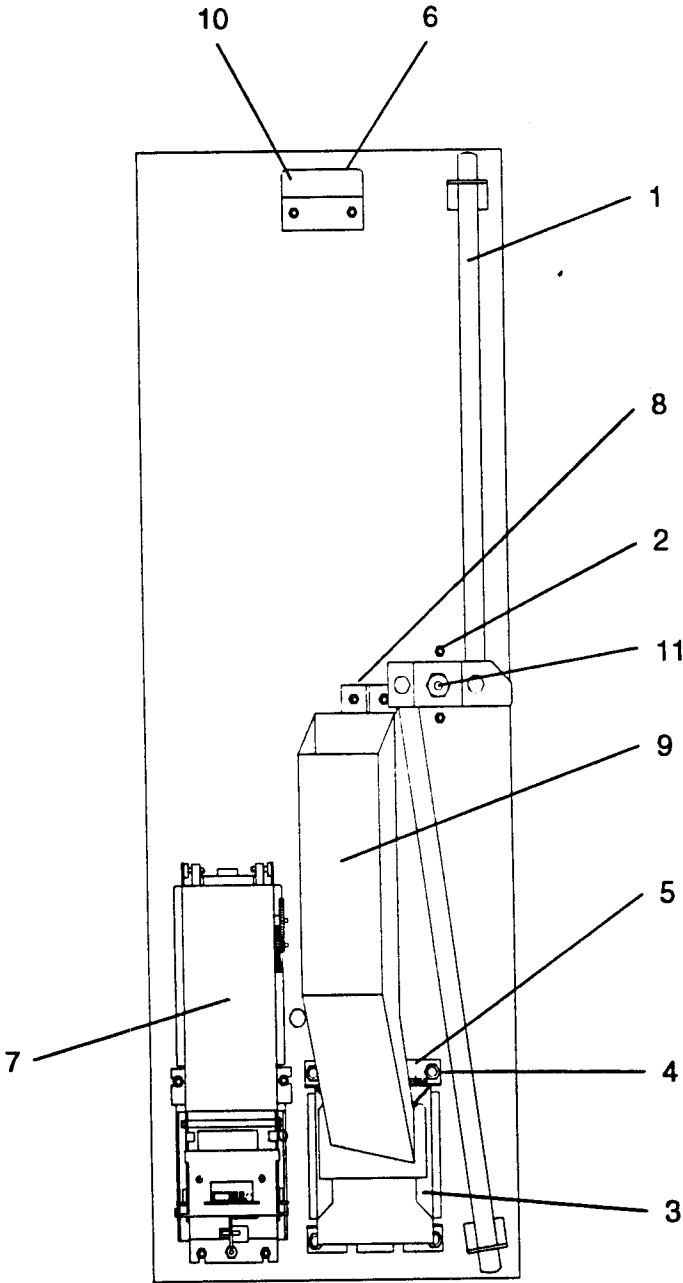


Figure 8-2. C-8, C-10 Door Assembly

Ref.	Part No.	Description	Qty
1	35131405	C-8 Lockbar Assembly	1
	35131406	C-10 Lockbar Assembly	1
2	70134103	#10-24 Carriage Bolt	2
3	45085601	Coin Cup Assembly	1
4	35121501	Coin Cup Mounting Bracket	2
5	25239701	Coin Cup Door Shaft	1
	25181701	Tension Spring	1
6	25190003	Foam Pad	1
7	65073229	CBA-4 - \$1, \$5, \$10, \$20	1
8	45109401	Coin Mech Bracket & Chute Assembly	1
9	45109501	Coin Chute Assembly	1
10	25211503	Bracket	1
11	92400181	#1/2-20 UNC Self Locking Nut	2

Figure 8-3. C-8, C-10 Cabinet Assembly

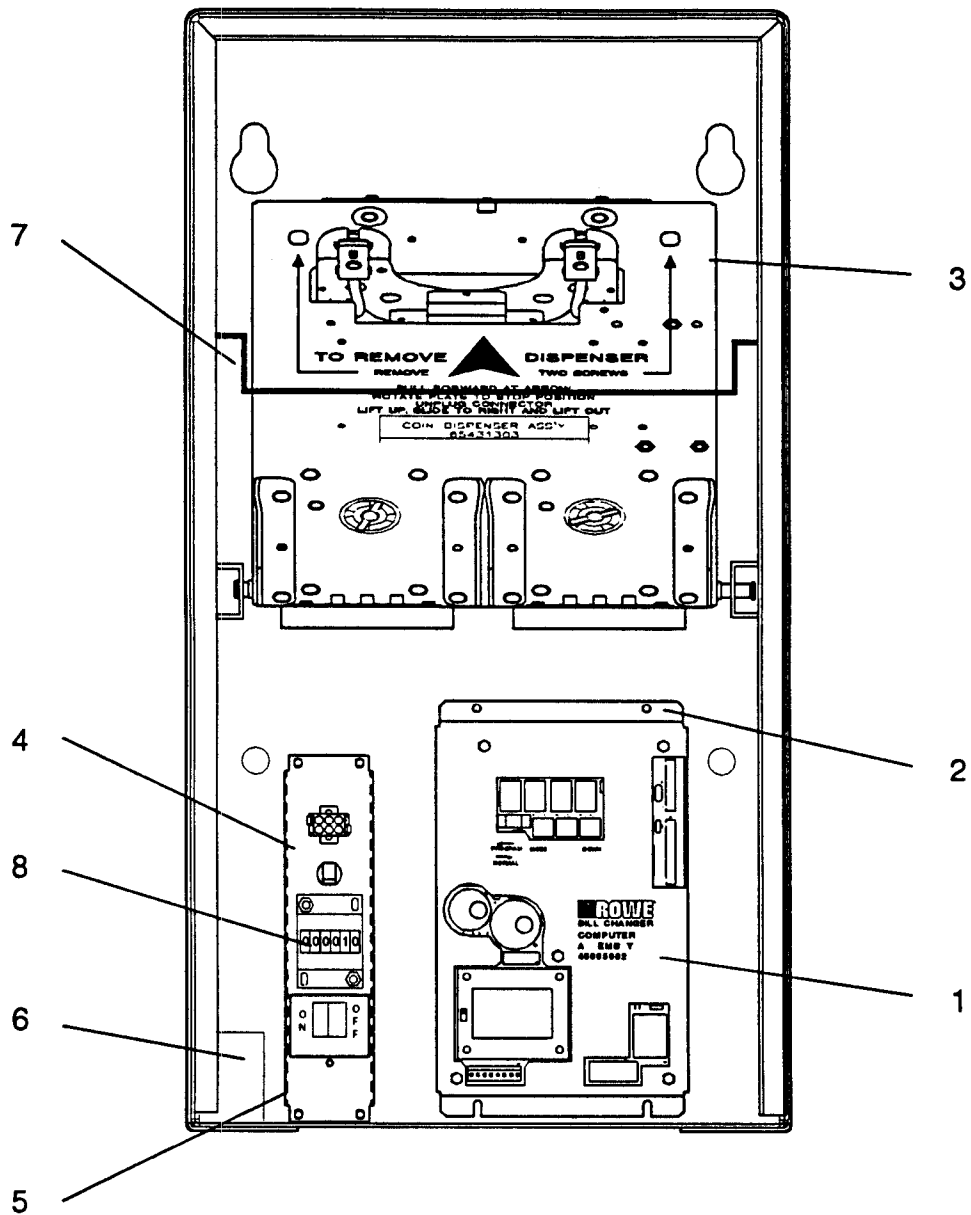


Figure 8-3. C-8, C-10 Cabinet Assembly

Ref.	Part No.	Description	Qty
1	45085902	Computer Assembly	1
	45085205	Cover - Computer	1
	65095402	Circuit Board Assembly - Computer	1
		(See Section 7 for Circuit Board Layout & Components)	
2	25249102	Insulation - Base	1
3	65431302	Coin Dispenser Assembly (Low Coin) C-8 (See Figure 8-7)	1
	65431301	Coin Dispenser Assembly (Low Coin) C-10 (See Figure 8-7)	1
4	45085303	Electrical Box Assembly (See Figure 8-9)	1
5	35132801	Electrical Box Plate	2
6	45108902	Coin Box (Coin Acceptor Only)	1
7	35144601	Bail Wire	1
8	25065710	Counter Assembly	1

Parts Not Shown:

65094907	Standard Capacity Hopper Assembly (Small Coins) (C-8 Only) (See Figure 8-4)	1
65094908	Standard Capacity Hopper Assembly (Large Coins) (C-8 Only) (See Figure 8-4)	1
65092903	Hi Capacity Hopper Assembly (Small Coins) (C-10 Only) (See Figure 8-5)	1
65092904	Hi Capacity Hopper Assembly (Large Coins) (C-10 Only) (See Figure 8-5)	1
35131301	Power Cord Assembly	1
70232302	Strain Relief - Right Angle	1
45108102	Harness Assembly - Dispenser	1
45109102	Harness Assembly - Power	1
45108201	Harness Assembly - Computer to CBA4 B.A.	1
45108203	Harness Assembly - Computer to MARS/COINCO B.A.	1
45108204	Harness Assembly - Power (MARS/COINCO B.A.)	1
45108205	Harness Assembly - Computer to Cashcode B.A.	1
45108208	Harness Assembly - Computer to RBA - 7BA	1

Figure 8-4. C-8 Hopper Assembly

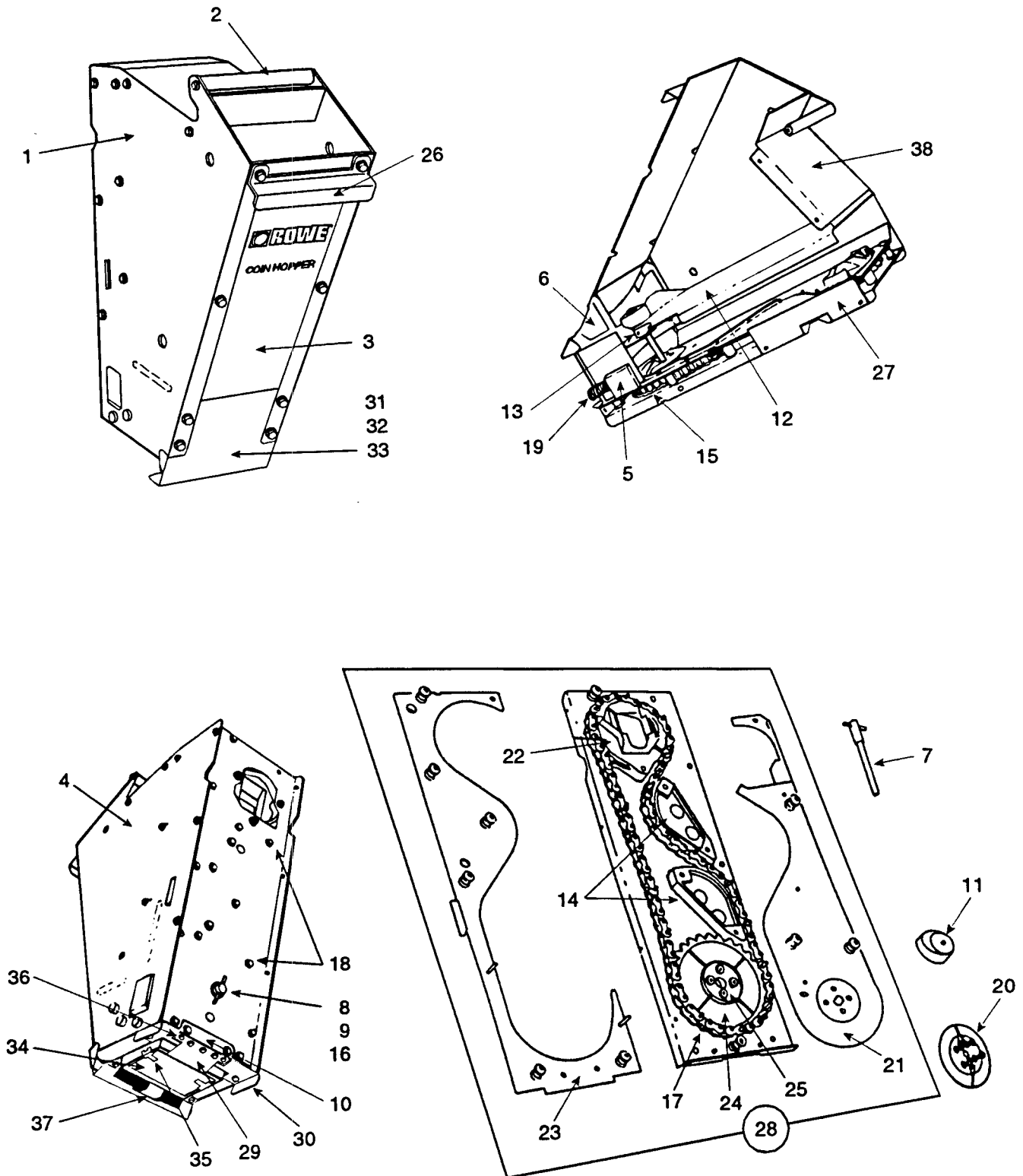


Figure 8-4. C-8 Hopper Assembly

Ref.	Part No.	Description	Qty
	65094907	Hopper Assembly (Small Coins).....	Ref.
	65094908	Hopper Assembly (Large Coins)	Ref.
1	45032401	L.H. Side Assembly	1
2	25098101	Hopper Handle	1
3	35044640	Front Cover (Small Coins)	1
	35044641	Front Cover (Large Coins).....	1
4	45032501	R.H. Side Assembly	1
5	65028202	Sliding Funnel.....	1
6	65027903	Fixed Funnel	1
7	25113701	Drive Shaft And Pin Assembly (Small Coins)	1
	25113702	Drive Shaft And Pin Assembly (Large Coins)	1
8	70120903	Washer	1
9	70121624	Spacer	2
10	35048801	Tie Bracket.....	1
11	35047201	Agitator Cam (Small Coins)	1
	35047202	Agitator Cam (Large Coins).....	1
12	45032101	Coin Baffle (Small Coins)	1
	45032102	Coin Baffle (Large Coins)	1
13	70146006	Nyliner Bearing	1
14	35048501	Chain Guide	2
15	35060501	Plate and Post Assembly	1
16	70146021	Nyliner Bearing	1
17	35043703	Extended Pin Chain (Small Coins)	1
	35043705	Extended Pin Chain (Large Coins)	1
18	70134109	Special Screw (Black)	2
19	25113401	Compression Spring	2
20	45034205	Coin Agitator (Small Coins)	1
	45034204	Coin Agitator (Large Coins)	1
21	35044502	Inner Coin Guide Assembly (Small Coins)	1
	35044504	Inner Coin Guide Assembly (Large Coins).....	1
22	65028803	Chain Guide Ring	1
23	45031902	Outer Coin Slide Assembly (Small Coins)	1
	45031903	Outer Coin Slide Assembly (Large Coins)	1
24	45035601	Sprocket.....	1
25	35047101	Drive Spacer	1
26	25165902	Hopper Handle.....	1
27	25226901	Coin Ramp (Large Coins)	1
	<i>This assembly, including items 21 and 23, is available as a replacement part as follows:</i>		
28	47000601	Coin and Chain Guide Assembly (Small Coins)	1
	47000602	Coin and Chain Guide Assembly (Large Coins)	1
29	45106901	CBA Low Coin Sensor	1
30	35142901	Bracket - Contact Mounting	1
31	25553001	Flattener - Antenna	1
32	70220804	Tape - Foamed	1
33	45107301	Bracket - Antenna Cover	1
34	35173901	Cover - Circuit Board	1
35	21776009	Fastener - Speed Clip	2
36	25552301	Spacer - Contact Board	3
37	92803607	Gasket - Poly	1
38	45131501	Top Assembly	1

Figure 8-5. C-10 Hi Capacity Hopper Assembly

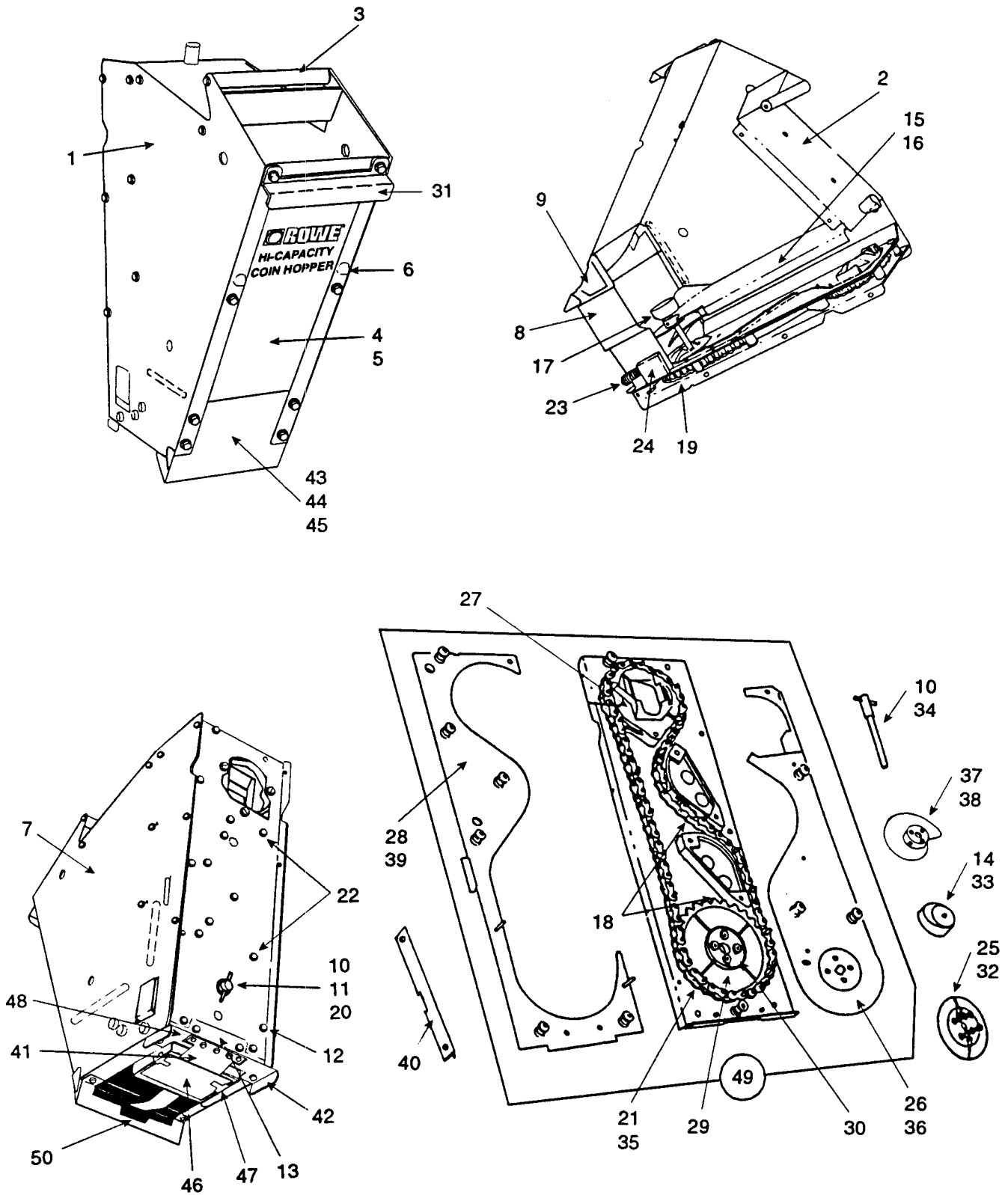


Figure 8-5. C-10 Hi Capacity Hopper Assembly

Ref.	Part No.	Description	Qty
	65092903	Hi-Capacity Hopper Assembly (Small Coins)	Ref.
	65092904	Hi-Capacity Hopper Assembly (Large Coins)	Ref.
1	45032402	L.H. Side Assembly	1
2	35074201	Top Assembly	1
3	25098101	Hopper Handle	1
4	35044638	Front Cover (Small Coins)	1
5	35044639	Front Cover (Large Coins)	1
6	25114701	Bumper	2
7	45032503	R.H. Side Assembly	1
8	65027902	Hopper Funnel (Intermediate)	1
9	65027903	Fixed Funnel	1
10	25113701	Drive Shaft And Pin Assembly (Small Coins)	1
11	70120903	Washer	1
12	70121624	Spacer	2
13	35048801	Tie Bracket	1
14	35058101	Agitator Cam (Small Coins)	1
15	45072101	Coin Baffle And Stud Assembly (Small Coins)	1
	25224501	Baffle And Bracket Assembly	1
16	45072102	Coin Baffle And Stud Assembly (Large Coins)	1
	25224501	Baffle And Bracket Assembly	1
17	70146006	Nyliner Bearing	1
18	35048501	Chain Guide	2
19	35060501	Plate and Post Assembly	1
20	70146021	Nyliner Bearing	1
21	35043703	Extended Pin Chain (Small Coins)	1
22	70134109	Special Screw (Black)	2
23	25113401	Compression Spring	2
24	65028202	Sliding Funnel	1
25	45034205	Agitator (Small Coins)	1
26	35044502	Inner Coin Guide Assembly (Small Coins)	1
27	65028803	Chain Guide Ring	1
28	45031902	Outer Coin Slide Assembly (Small Coins)	1
29	45035601	Sprocket	1
30	35047101	Drive Spacer	1
31	25165902	Hopper Handle	1
32	45034204	Agitator (Large Coins)	1
33	35058102	Agitator Cam (Large Coins)	1
34	25113702	Drive Shaft and Pin Assembly (Large Coins)	1
35	35043705	Extended Pin Chain (Large Coins)	1
36	35044504	Inner Coin Guide (Large Coins)	1
37	25171202	Upper Agitator Assembly (Large Coins)	1
38	70113013	Roll Pin (Large Coins)	1
39	45031903	Outer Coin Slide Assembly (Large Coins)	1
40	25226901	Coin Ramp (Large Coins)	1
41	45106902	CBA Low Coin Sensor (Hi Capacity Hopper)	1
42	35142901	Bracket - Contact Mounting	1
43	25553001	Flattener - Antenna	1
44	70220804	Tape - Foamed	1
45	45107302	Bracket - Antenna Cover	1
46	35173901	Cover - Circuit Board	1
47	21776009	Fastener - Speed Clip	2
48	25552301	Spacer - Contact Board	3
	<i>This assembly, including items 26, 28, 36 and 39, is available as a replacement part as follows:</i>		
49	47000601	Coin and Chain Guide Assembly (Small Coins)	1
	47000602	Coin and Chain Guide Assembly (Large Coins)	1
50	92803607	Gasket - Poly	1

Figure 8-6. Coin Acceptor

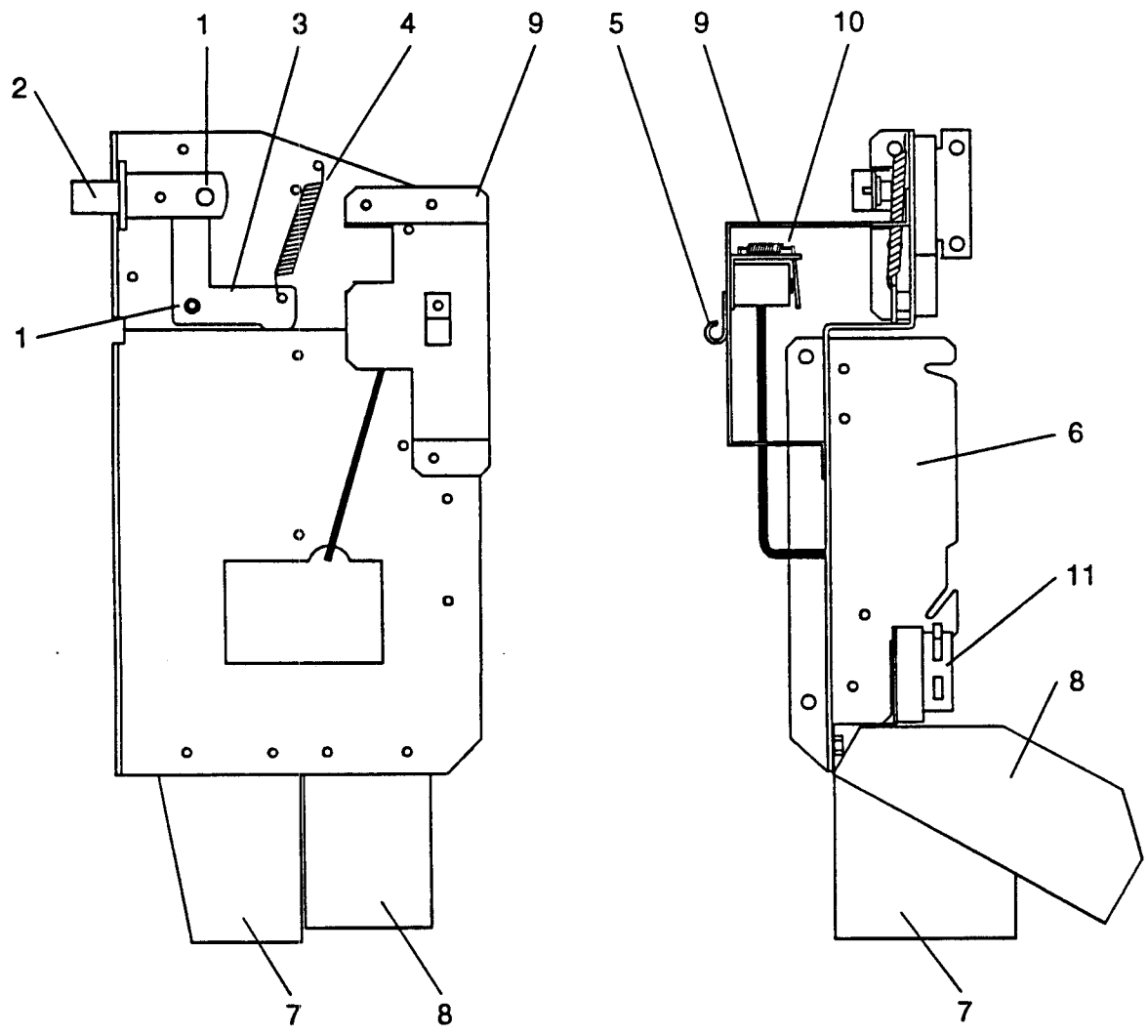


Figure 8-6. Coin Acceptor

Ref.	Part No.	Description	Qty
1	70143003	External Retaining Ring	2
2	25056504	Button & Blade Assembly - Reject	1
3	35143702	Actuator Bracket (C-8 & C-10)	1
4	21083601	Tension Spring	1
5	70093103	Cable Clamp (1/4)	1
6	30984404	Coin Mech Holder Assembly	1
7	35144101	Coin Chute (Reject)	1
8	35144001	Coin Chute (Accept).....	1

The Following Parts Are Used With Mechanical Coin Acceptors Only:

9	35174301	Magnetic Lockout Bracket.....	1
10	35031703	Lockout with Magnet (IMONEX)	1
11	21990203	Switch & Bracket Assembly	1

Parts Not Shown:

25553201	Stop Bracket (Reject Lever).....	1
45108902	Coin Box Assembly (C-8 and C-10).....	1
45108301	Harness Assembly - Computer to Coin Acceptor (Mechanical)	
45108302	Harness Assembly - Computer to MARS 330 Coin Acceptor	
45108303	Harness Assembly - Computer to Coin Controls C120	
45108304	Harness Assembly - Computer to Microcoin S5	

Figure 8-7. C-8, C-10 Coin Dispenser Assembly

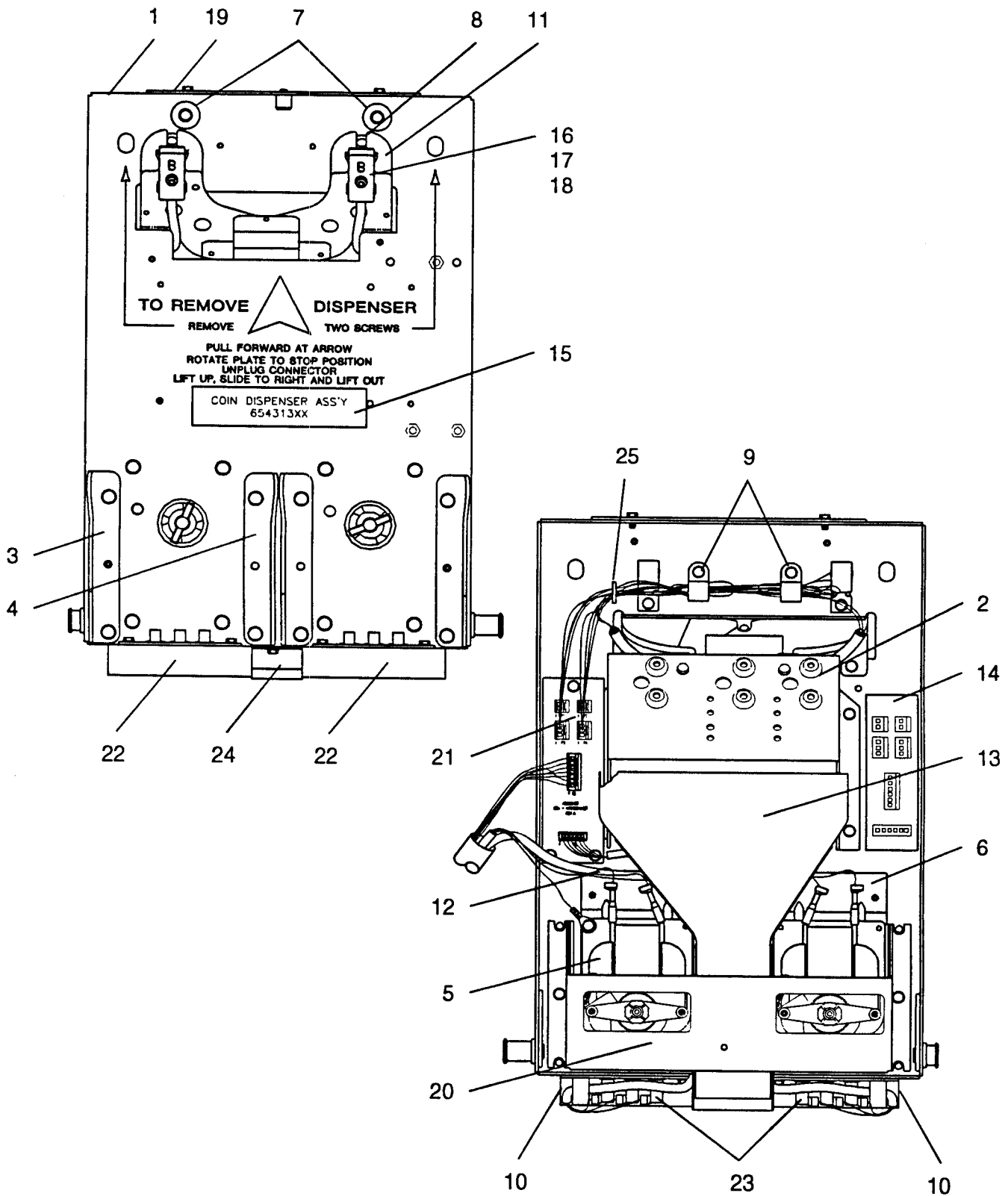


Figure 8-7. C-8, C-10 Coin Dispenser Assembly

Ref.	Part No.	Description	Qty
	65431302	C-8 Dispenser Assembly - Coin	Ref.
	65431301	C-10 Dispenser Assembly - Coin	Ref.

Both the C-8 and C-10 use the same components, except as noted.

1	45035311	Frame and Pivot Assembly	1
2	45032620	Change Bucket Assembly (See Figure 8-8).....	1
3	35044701	Hopper Mounting Bracket (L.H.) C-8	2
	35044702	Hopper Mounting Bracket (L.H.) C-10	2
4	35044801	Hopper Mounting Bracket (R.H.) C-8	2
	35044802	Hopper Mounting Bracket (R.H.) C-10	2
5	35049102	Hopper Drive Motor Assembly	2
	45034102	Hopper Drive Motor	1
	45034001	Coupling - Ratchet	1
	25097701	Spring - Compression	1
	70120904	Washer (Nylon)	1
	70110126	Pin - Groove	1
	37004601	Gear Box	1
6	35046401	Mounting Bracket (Motor).....	2
7	25112701	Rubber Bumper	2
8	45076101	Holder Assembly - LED.....	2
	70035315	LED	2
9	70093105	Cable Clamp (3/8)	2
10	70093401	Cable Clamp (1/2)	2
11	45035006	Chute Assembly	1
12	65065340	Dispenser Harness Assembly	1
13	35068202	Chute Assembly - Coin Weld (BC-1200 Only)	1
14	25169107	Dispenser Wiring Label	1
15	25189421	Label - Coin Dispenser (65431302) C-8	1
	25189420	Label - Coin Dispenser (65431301) C-10	1
16	25175702	Photo Detector Board and Terminal Assembly	2
17	70121626	Spacer (Nylon)	2
18	35048202	Cover - Terminal Board	2
19	35125402	Hopper Latch Assembly	1
20	45042602	Guard - Dispenser Motor	1
21	45076403	Circuit Board Assembly - Interconnect	1
	70035006	Diode	3
22	35142801	Contact Mounting Bracket	2
23	25552401	Board and Spring Contact Assembly	2
24	25200001	Extension - Coin Chute	1
25	70800101	Tie Wrap	1

Figure 8-8. C-8, C-10 Change Bucket Assembly

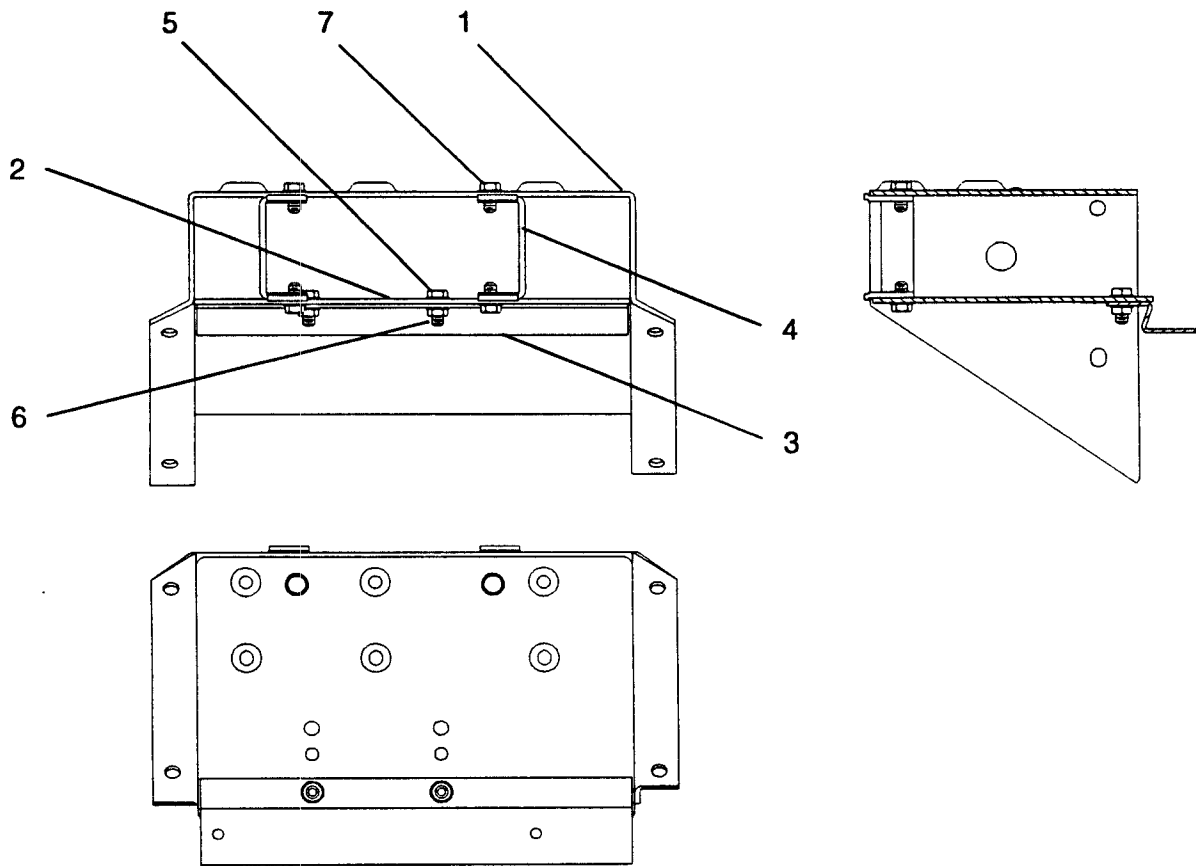


Figure 8-8. C-8, C-10 Change Bucket Assembly

Ref.	Part No.	Description	Qty
	45032620	Change Bucket Assembly	Ref.
1	45033306	Bucket Frame	1
2	35047002	Plate - Front, Bucket	1
3	25112402	Dispenser Chute Mounting Bracket	1
4	25112902	Support Bracket.....	2
5	80443006	Screw - #8-32 x 3/8 HWHM, SF	2
6	87843000	Nut - #8-32 KEPS	2
7	80443004	Screw - #8-32 x 1/4 HWHM, SF	4

Figure 8-9. Electrical Box Assembly

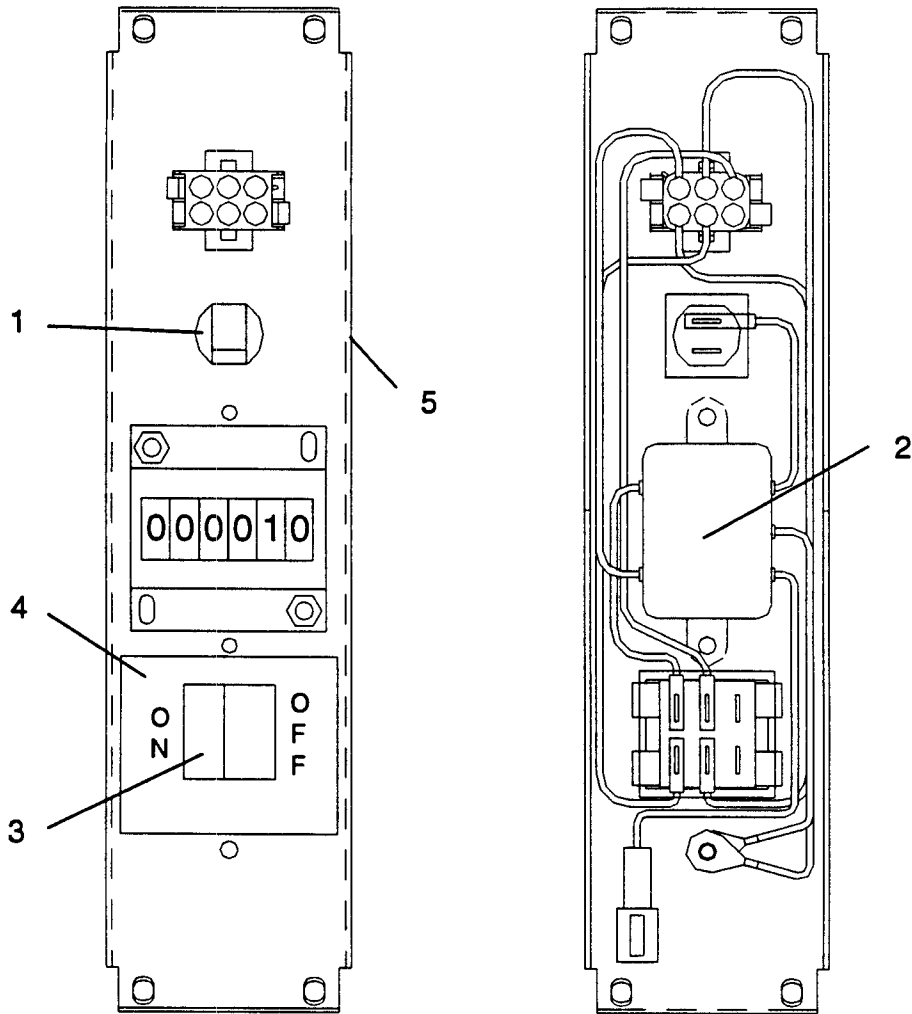


Figure 8-9. Electrical Box Assembly

Ref.	Part No.	Description	Qty
	45085303	Electrical Box Assembly (See Figure 8-3)	
1	70073608	Circuit Breaker (5 Amp)	1
2	35131102	Filter & Lug Assembly	1
3	30785702	Rocker Switch (DPST)	1
4	25250101	Label - On-Off	1
5	45085402	Box - Electrical	1

C-8, C-10 Accessory Kits

Part No.	Description	Qty.
Heavy Duty Base Kits		
27063602	Heavy Duty Base Kit C-6, C-8, C-10	1
Light Duty Base Kits		
27044002	Light Duty Base Kit C-6, C-8, C-10	1
Top Filler Kits		
27044103	Top Filler Kit C-8	1
27044104	Top Filler Kit C-10	1
Kit-Lock Guard		
27041704	Kit-Door Guard C-8	1
27041705	Kit-Door Guard C-10	1
Accepted Bills Labels		
35143902	\$1 & \$5	1
35143903	\$1, \$5 & \$10	1
35143904	\$1, \$5, \$10 & \$20	1
35143906	\$5 & \$10	1
35143907	\$5, \$10 & \$20	1
Token Label		
35175101	Label - Tokens	1