



***Model 5900***  
***Snack/candy Vendors***

***Including New***  
***Real-Time Clock-Calendar***  
**Field Service Manual**



# **5900 Snack / Candy Vendor**

## **Field Service Manual and Parts Catalog**

This manual contains procedures for operating and servicing the Rowe 5900 family of Snack / Candy Vendors. The 5900 family includes the 593 (5/10 column), 594 (4/8 column), and the 591 (3/6 column) Snack / Candy Vendors. The 5900 Snack / Candy Vendors are capable of vending a wide variety of products in several different dynamic configurations. The 5900 (model 593) machine can house up to 75 snack delivery motors and will operate in both the United States and international markets. The machine will host a variety of credit acceptance devices including: coin changers, bill validators and debit card readers. The controller possesses many sales features including: a scrolling point of sale message, a WIN-A-SNACK vending mode, multiple purchase discounts, programmable lockout feature, real-time clock/calendar, and complete MIS accountability.

Part Number 900-59303 H  
Eighth Edition  
First Printing November 1995  
Printed in U.S.A.

# TABLE OF CONTENTS

<b>SPECIFICATIONS</b>	<b>vi</b>
<b>HOW TO USE THIS MANUAL</b>	<b>vii</b>
<b>COIN MECH USAGE CHART</b>	<b>viii</b>
<b>PRODUCT CLEARANCES</b>	<b>ix</b>
<b>PRODUCT CAPACITIES - 5900C</b>	<b>x</b>
<b>PRODUCT CAPACITIES - 5900S</b>	<b>xi</b>
<b>PRODUCT CAPACITIES - 5900JR</b>	<b>xii</b>
<b>SELECTION IDENTIFICATION</b>	<b>xii, xvi</b>
<b>SECTION 1 - INSTALLATION</b>	
Unpacking	1-1
Set-up Instructions	1-1
Bill Acceptor Switch Settings	1-3
<b>SECTION 2 - DESCRIPTION</b>	
Product Shelves	2-2
Gum and Mint Unit	2-3
Coin Mech	2-4
Selection Identification	2-5
Temperature Control	2-5
Special Vending Modes	2-6
Point of Sale Messages	2-8
MIS	2-9
<b>SECTION 3 - PROGRAM OPERATION</b>	
Diagnostic Mode	3-1
Error Messages	3-1
Service Mode Flow Chart	3-2
Service Mode Operation	3-3
MIS Retrieval	3-7
<b>SECTION 4 - TROUBLESHOOTING</b>	
Table of Contents	4-1

# SPECIFICATIONS: 5900S, 5900JR & 5900C SNACK/CANDY VENDORS

## GENERAL

	<u>5900S (5 Column)</u>	<u>5900JR (4 Column)</u>	<u>5900C (3 Column)</u>
Depth	35-1/2" (87 cm)	35-1/2" (87 cm)	35-1/2" (87 cm)
Width	39-3/16" (96 cm)	33-13/16" (83 cm)	28-1/2" (70 cm)
Height	72" (176.5 cm)	72" (176.5 cm)	72" (176.5 cm)
Net Weight	Approximately 600 to 750 lbs. (1320 - 1650 kg.)		
Shipping Weight	Depending upon configuration		
<b>Air Cooled Models</b>	Refrigerant - R-12 / Charge - 14 oz.		

## ELECTRICAL

<b>Power Requirements</b>		<b>BTU Output</b>	
U.S. Domestic	120 VAC 15A	Without refrigeration	100 BTU/hr
Non-Domestic	220/240 VAC, 50Hz., 12A	With refrigeration	1500 BTU/hr
<b>Power Consumption</b>			
Without refrigeration	.030 kWh (Avg.)		
With refrigeration	.440 kWh (Avg.)		

## COIN MECHANISMS

### 120 V Models - 12 Pin

MARS  
COINCO

TRC - 6000, MC 5000  
9300L

**BILL ACCEPTORS**  
ROWE \*MAKA \*MARS

\*NOTE: Contact bill acceptor manufacturer.

### 24 V Models - 15 Pin only

MARS  
COINCO

TRC - 6010 - XV  
9302 LF

**CARD READERS**  
Contact Card Reader manufacturer for machine compatibility.

### European Coin Mechs

MARS  
ASKOYN  
NRI

MS 1600, MS 1900  
CASHFLOW  
AN - 200  
6-26.4400

**CAUTION !**  
Do not use 24 volt Coin Mech with 12 pin plugs! This will result in permanent damage to the Coin Mech and/or vending machine.

## VENDOR CAPACITY - Number of Selections

<b>5900S</b>	<b>5900JR</b>	<b>5900C</b>
<b>5 Shelf</b> 25, 30, 35, 40, 45, or 50 plus Gum and Mint (5 selections)	<b>5 Shelf</b> 20, 24, 28, 32, 36, or 40 plus Gum and Mint (4 selections)	<b>5 Shelf</b> 15, 18, 21, 24, 27, or 30 plus Gum and Mint (3 selections)
<b>6 Shelf</b> 30, 35, 40, 45, 50, 55, or 60 plus Gum and Mint (5 selections)	<b>6 Shelf</b> 24, 28, 32, 36, 40, 44, or 48 plus Gum and Mint (4 selections)	<b>6 Shelf</b> 18, 21, 24, 27, 30, 33 or 36 plus Gum and Mint (3 selections)

# HOW TO USE THIS MANUAL

This manual contains six sections. The front section contains a table of contents, tables and charts to aid in the identification of vendor models by number and specifications for each. Described below is a brief outline of the numbered sections and the information discussed there.

**SECTION 1 - INSTALLATION** - Section 1 contains unpacking, set-up instructions and Bill Acceptor DIP Switch settings. Use this section to install and check out the vendor.

**SECTION 2 - DESCRIPTION** - Section 2 contains a general introduction to the 5900 Snack / Candy Vendor. This section provides an overview of the machine's major components, as well as explanations of its vending and management features. Before attempting to operate this vendor, read and familiarize yourself with this section and Section 1 - Installation.

**SECTION 3 - PROGRAM OPERATION** - Section 3 contains step-by-step instructions on how to program all of the machine's features, set prices and access MIS information.

**SECTION 4 - TROUBLESHOOTING** - Section 4 contains it's own table of contents, troubleshooting procedures, and Error Message & Problem / Solution Troubleshooting Charts. Wiring diagrams and machine schematics are also located in this section. Use this in conjunction with the information in Section 5 - Maintenance, to isolate and repair vendor malfunctions.

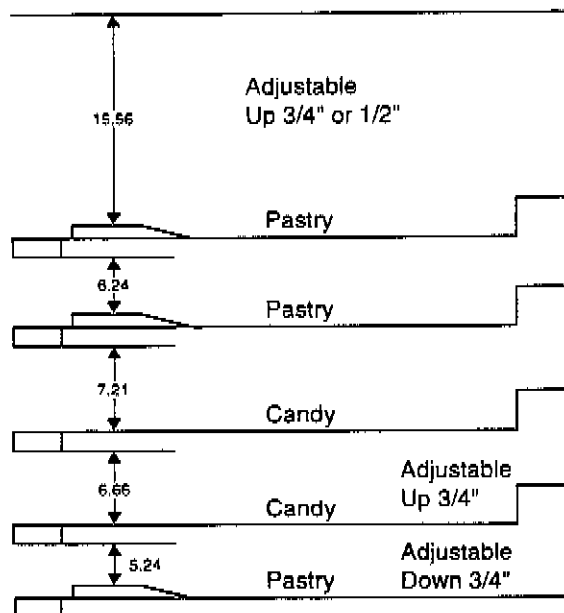
**SECTION 5 - MAINTENANCE** - Section 5 contains instruction for cleaning the snack vendor. It also includes instructions for removing and replacing the shelves, helixes, drive motors, and the Gum and Mint Unit.

**SECTION 6 - PARTS CATALOG** -Section 6 contains it's own table of contents, a list of optional kits and views of each assembly with the part and section called out. Part numbers under a four digit assembly number are indented to the right if they are shipped as a group when ordering the assembly number. If they are not indented they must be ordered individually.

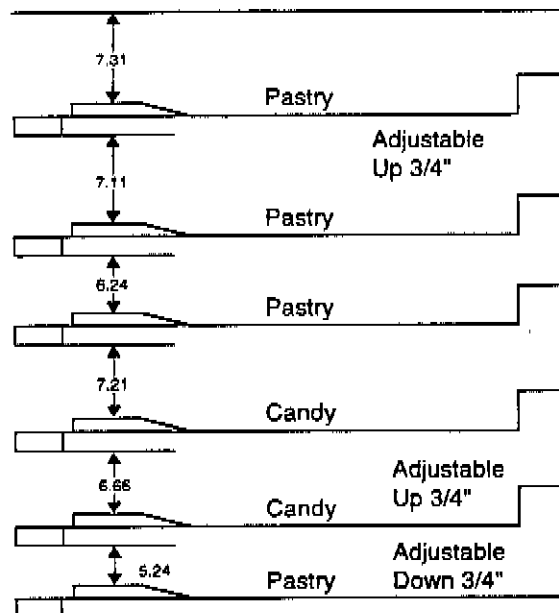
# COIN MECH CHART

VENDING MACHINE COIN MECH USAGE													
Coin Acceptors	406				425				505	548	550	5900	
	6 PUMP		8 PUMP		W.A.D	W/O/BA	W/BA	W.A.D					
Coinco	W/O/BA	W/BA	W/O/BA	W/BA					W.A.D	W/O/BA	W/BA	W.A.D	
9300S <small>Single Price \$12.75 Max 120 VAC</small>	X		X			X							
9340S <small>Single Price \$12.75 Max 120 VAC</small>	X	X	X	X		X	X						
9360S <small>Single Price \$12.75 Max 120 VAC</small>	X	X	X	X		X	X						
S75-9800B-907 <small>Single Price \$3.15 Max 120 VAC</small>	X		X			X							
S75-9400B-977 <small>Single Price \$1.15 Max 120 VAC</small>	X		X			X							
F300E-9210 <small>Four Price \$3.15 Max 120 VAC</small>	3	3	3	3		X	X						
F300-9400 <small>Four Price \$3.15 Max 120 VAC</small>	X		X			X							
S300-9410 <small>Single Price \$3.15 Max 120 VAC</small>	X	X	X	X		X	X						
9300L <small>Micromech 110 VPDC</small>					X			X	X	X	X	X	X
9302LF <small>Micromech 24 VPDC 15 Pin Con.</small>										X	X	X	X
9300L+ <small>Micromech 24 VPDC 16 Pin Con.</small>										X			X
MARS													
Cashflow										X	X	X	X
TRC6010XV <small>Micromech 24 VPDC 15 Pin Con.</small>										X	X	X	X
MC5000 <small>Micromech 117 VPDC \$12.75 Max</small>					X			X	X	X	X	X	X
TRC6000 <small>Micromech 117 VPDC \$12.70 Max</small>					X			X	X	X	X	X	X
TRC6200 <small>120V Single Price \$6.35 Max</small>	X	X	X	X		X	X						
TRC6200H <small>120V Single Price \$6.35 Max</small>	1	4		4			4						
TRC6800 <small>120V Single Price \$10.00 Max</small>	X	X	X	X		X	X						
TRC6800H <small>120V Single Price \$10.00 Max</small>		4		4			4						
MC5802 <small>Single Price 115 VAC</small>	X	X	X	X		X	X						
MC5807 <small>Single Price 115 VAC</small>	X	X	X	X		X	X						
MC5920 <small>Four Price 115 VAC \$6.35 Max</small>	X	2	X	2		X	2						
MC5920H <small>Four Price 115 VAC \$6.35 Max</small>													
MS1600 <small>European 24 VAC 50 Hz</small>									X	X	X	X	X
MS1700 <small>European Tropicalized 24 VAC 50 Hz</small>									X	X	X	X	X
MS1900 <small>European 24 VAC 50 Hz</small>									X	X	X	X	X
NRI National Rejectors Inc.													
G-26.4400 <small>European 24 VAC 50 Hz</small>										X	X	X	X
Askoyn													
AN-200										X			X

## Product Clearances



**5 SHELF**



**6 SHELF**

On both 5 shelf and 6 shelf models the second shelf from the bottom can be adjusted 3/4" higher or lower. There are three sets of rail mounting holes. On 5 shelf models the top shelf can be adjusted up 3/4" or 1-1/2". On 6 shelf models the fifth shelf from the bottom is adjustable up 3/4".

**NOTE: Product used must not exceed 7" in height.**

## Product Widths

5900C - 3 Selection Shelves 5900JR - 4 Selection Shelves 5900S - 5 Selection Shelves				5900C - 6 Selection Shelves 5900JR - 8 Selection Shelves 5900S - 10 Selection Shelves			
Items per Compartment	Helix Part Number	Max. Product Thickness	Product Width	Items per Compartment	Helix Part Number	Max. Product Thickness	Product Width
6	593-14	3-5/16"	2-1/2" / 5-1/4"	10	493-16	2"	1" / 2-1/4"
7	490-4013	2-13/16"	2-1/2" / 5-1/4"	12	493-15	1-5/8"	1" / 2-1/4"
10	490-34	2-1/16"	2-1/2" / 5-1/4"	15	490-31	1-5/16"	1" / 2-1/4"
12	490-33	1-11/16"	2-1/2" / 5-1/4"	18	490-30	1-1/16"	1" / 2-1/4"
15	490-32	1-5/16"	2-1/2" / 5-1/4"	24	490-29	3/4"	1" / 2-1/4"

**NOTE:**

- 5900S** - The partition in selection 4 can be moved to any of 4 locations, altering the width of selections 4 and 5. The maximum width of selection 4 is 6-3/4". The minimum width for selection 5 is 3-3/4".
- 5900JR** - The partition in selection 3 can be moved to any of 4 locations, altering the width of selections 3 and 4. The maximum width of selection 3 is 6-3/4". The minimum width for selection 4 is 3-3/4".
- 5900C** - The partition in selection 2 can be moved to any of 4 locations, altering the width of selections 2 and 3. The maximum width of selection 2 is 6-3/4". The minimum width for selection 3 is 3-3/4".

## 5900C COMPACT VENDOR PRODUCT CAPACITIES 6 SHELF MODELS

**Model 591-18-6**  
Capacity 218 Items\*

10	10	10
10	10	12
12	12	12
12	12	12
12	12	15
15	15	15

**Model 591-21-6**  
Capacity 290 Items\*

10	10	10
10	10	12
12	12	12
12	12	15
15	15	18
18	18	24
15	15	15

**Model 591-24-6**  
Capacity 363 Items\*

10	10	10
12	12	12
15	15	15
18	18	18
18	18	18
15	15	15
15	15	24
15	15	24
12	12	12

**Model 591-24-6**  
Capacity 363 Items\*

10	10	10
12	15	15
18	18	18
18	18	18
18	18	18
15	15	15
15	15	24
15	15	24
12	12	12

**Model 591-30-6**  
Capacity 497 Items\*

10	10	15
12	12	12
18	18	18
18	18	18
18	18	18
18	18	18
18	18	15
15	15	15
15	15	24
15	15	24

**Model 591-33-6**  
Capacity 571 Items\*

10	10	15
18	18	18
18	18	18
18	18	18
18	18	18
18	18	18
18	18	15
15	15	15
15	15	24
15	15	24

**Model 591-36-6**  
Capacity 630 Items\*

15	15	15
15	15	15
18	18	18
18	18	18
18	18	18
18	18	18
18	18	18
18	18	15
15	15	15
15	15	24
15	15	24

\* Each machine includes a 3-selection gum & mint unit with a 135 product capacity. The gum and mint capacity is in addition to the indicated capacities.

## 5 SHELF MODELS

**Model 591-15-5**  
Capacity 182 Items\*

10	10	10
10	10	12
12	12	12
12	12	12
15	15	15

**Model 591-18-5**  
Capacity 254 Items\*

10	10	10
10	10	12
12	12	12
12	12	12
12	12	12
15	15	15

**Model 591-21-5**  
Capacity 321 Items\*

10	10	10
12	12	15
18	18	18
18	18	18
15	15	15
15	15	24
15	15	24
12	12	12

**Model 591-24-5**  
Capacity 395 Items\*

10	10	15
18	18	18
18	18	18
18	18	18
15	15	15
15	15	24
15	15	24
12	12	12

**Model 591-27-5**  
Capacity 495 Items\*

18	18	18
18	18	18
18	18	18
18	18	18
18	18	18
15	15	15
15	15	24
15	15	24
12	12	12

**Model 591-30-5**  
Capacity 540 Items\*

18	18	18
18	18	18
18	18	18
18	18	18
18	18	18
18	18	18
18	18	18
18	18	18
15	15	15
15	15	24
15	15	24

\* Each machine includes a 3-selection gum & mint unit with a 135 product capacity. The gum and mint capacity is in addition to the indicated capacities.

Three and six selection shelves fit in any position, see chart above. Helix coils can be freely interchanged with other helix coils of different capacities, provided they are the same diameter.



## 5900S PRODUCT CAPACITIES 6 SHELF MODELS

**Model 5930S**  
Capacity 370 Items\*

10	10	10	10	10
10	10	12	12	12
12	12	12	12	12
12	12	12	12	12
12	12	15	15	15
15	15	15	15	15

**Model 5935S**  
Capacity 502 Items\*

10	10	10	10	10			
10	10	12	12	12			
12	12	12	12	12			
12	12	15	15	15			
15	15	18	18	24	24	24	18
15	15	15	15	15			

**Model 5940S**  
Capacity 617 Items\*

10	10	10	10	10				
12	12	12	12	12				
15	15	15	15	15				
18	18	18	18	18	18	18	18	18
15	15	15	15	24	24	24	18	18
15	15	15	15	15				

**Model 5945S**  
Capacity 734 Items\*

10	10	10	10	10				
12	15	15	15	15				
18	18	18	18	18	18	18	18	18
18	18	18	18	18	18	18	18	18
15	15	15	15	24	24	24	18	18
15	15	15	15	15				

**Model 5950S**  
Capacity 839 Items\*

10	10	15	15	15				
12	12	12	12	12				
18	18	18	18	18	18	18	18	18
18	18	18	18	18	18	18	18	18
18	18	18	18	15	15	15	15	15
15	15	15	15	24	24	24	15	15

**Model 5955S**  
Capacity 955 Items\*

10	12	12	12	15				
18	18	18	18	18	18	18	18	
18	18	18	18	18	18	18	18	
18	18	18	18	18	18	18	18	
18	18	18	18	15	15	15	15	
15	15	15	15	24	24	24	15	15

**Model 5960S**  
Capacity 1062 Items\*

15	15	15	15	15	15	15	15	15
18	18	18	18	18	18	18	18	18
18	18	18	18	18	18	18	18	18
18	18	18	18	18	18	18	18	18
18	18	18	18	15	15	15	15	15
15	15	15	15	24	24	24	18	18

**Model 5970 (7 Shelf)**  
Capacity 1050 Items\*

15	15	15	15	15	15	15	15	15
15	15	15	15	15	15	15	15	15
15	15	15	15	15	15	15	15	15
15	15	15	15	15	15	15	15	15
15	15	15	15	15	15	15	15	15
15	15	15	15	15	15	15	15	15

## 6 SHELF MODELS

**Model 5925S**  
Capacity 310 Items\*

10	10	10	10	10
10	10	12	12	12
12	12	12	12	12
12	12	15	15	15
15	15	15	15	15

**Model 5930S**  
Capacity 437 Items\*

10	10	10	10	10			
15	15	12	12	12			
15	15	15	15	15			
15	15	18	18	24	24	24	18
12	12	12	12	12			

**Model 5935S**  
Capacity 551 Items\*

10	10	10	10	10				
15	15	15	15	15				
18	18	18	18	18	18	18	18	
15	15	15	15	24	24	24	18	18
15	15	15	15	15				

\* Each machine includes a 5-selection gum & mint unit with a 225 product capacity. The gum and mint capacity is in addition to the indicated capacities.

**Model 5940S**  
Capacity 677 Items\*

10	10	15	15	15				
12	12	12	12	12				
18	18	18	18	18	18	18	18	
18	18	18	18	18	18	18	18	
15	15	15	15	24	24	24	18	18

**Model 5945S**  
Capacity 793 Items\*

10	12	12	12	15				
18	18	18	18	18	18	18	18	
18	18	18	18	18	18	18	18	
18	18	18	18	18	18	18	18	
15	15	15	15	24	24	24	18	18

**Model 5950S**  
Capacity 894 Items\*

18	18	18	18	18	18	18	18	18
18	18	18	18	18	18	18	18	18
18	18	18	18	18	18	18	18	18
18	18	18	18	15	15	15	15	15
15	15	15	15	24	24	24	18	18

## 5900JR PRODUCT CAPACITIES 5 SHELF MODELS

**Model 5924-6**  
Capacity 294 Items\*

10	10	10	10
10	10	12	12
12	12	12	12
12	12	12	12
12	12	15	15
15	15	15	15

**Model 5928-6**  
Capacity 390 Items\*

10	10	10	10
10	10	12	12
12	12	12	12
12	12	15	15
15	15	18	18
15	15	18	18
24	18		
15	15	15	15

**Model 5936-6**  
Capacity 580 Items\*

10	10	10	10
12	12	12	12
15	15	15	15
18	18	18	18
18	18	18	18
15	15	18	18
15	15	18	18
24	18		
15	15	15	15

**Model 5936-6**  
Capacity 580 Items\*

10	10	10	10
12	15	15	15
18	18	18	18
18	18	18	18
15	15	18	18
15	15	18	18
24	18		
12	12	12	12

**Model 5940-6**  
Capacity 662 Items\*

10	10	15	15
12	12	12	12
18	18	18	18
18	18	18	18
18	18	18	18
18	18	18	18
18	18	15	15
15	15	15	15
15	15	24	18
15	15	15	15

**Model 5944-6**  
Capacity 757 Items\*

10	12	12	15
18	18	18	18
18	18	18	18
18	18	18	18
18	18	18	18
18	18	18	18
18	18	15	15
15	15	15	15
15	15	24	18
15	15	15	15

**Model 5948-6**  
Capacity 840 Items\*

15	15	15	15
18	18	18	18
18	18	18	18
18	18	18	18
18	18	18	18
18	18	18	18
18	18	18	18
18	18	18	18
18	18	18	18
15	15	15	15
15	15	24	18
15	15	15	15

**Model 5956JR (7 Shelf)**  
Capacity 740 Items\*

15	15	15	15
15	15	15	15
15	15	15	15
15	15	15	15
15	15	15	15
15	15	15	15
15	15	15	15
15	15	15	15
15	15	15	15
15	15	15	15

## 5 SHELF MODELS

**Model 5920-5**  
Capacity 246 Items\*

10	10	10	10
10	10	12	12
12	12	12	12
12	12	15	15
15	15	15	15

**Model 5924-5**  
Capacity 242 Items\*

10	10	10	10
10	10	12	12
12	12	12	12
15	15	18	18
15	15	18	18
24	18		
15	15	15	15

**Model 5928-5**  
Capacity 430 Items\*

10	10	10	10
10	10	12	12
18	18	18	18
18	18	18	18
15	15	18	18
15	15	18	18
24	18		
12	12	12	12

\* Each machine includes a 4-selection gum & mint unit with a 180 product capacity. The gum and mint capacity is in addition to the indicated capacities.

**Model 5932-5**  
Capacity 530 Items\*

10	10	15	15
18	18	18	18
18	18	18	18
18	18	18	18
15	15	15	15
24	24	18	18
10	12	12	15

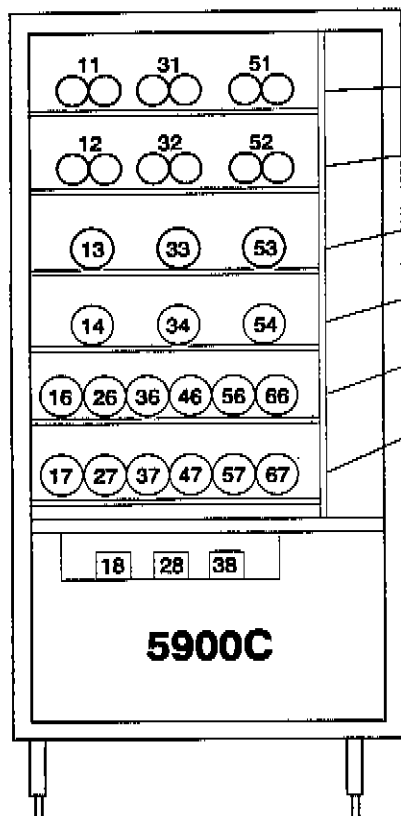
**Model 5950S**  
Capacity 795 Items\*

18	18	18	18
18	18	18	18
18	18	18	18
18	18	18	18
18	18	15	15
15	15	18	18
24	24	18	18
10	12	12	15

**Model 5950S**  
Capacity 894 Items\*

18	18	18	18
18	18	18	18
18	18	18	18
18	18	18	18
18	18	18	18
18	18	18	18
18	18	18	18
18	18	18	18
18	18	18	18
15	15	18	18
15	15	18	18
24	24	18	18
15	15	15	15

## 5900C Selection Identification



Selection Identification Label Assortment P/N 593-1908

01	11	21	31	41	51	61
02	12	22	32	42	52	62
03	13	23	33	43	53	63
04	14	24	34	44	54	64
06	16	26	36	46	56	66
07	17	27	37	47	57	67
	18	28	38			

3 Column Shelves

6 Column Shelves

Affix labels on shelves, left to right, as shown.

On a Universal Shelf configured as a 3 column shelf use the numbers circled above.

On a Universal Shelf configured as a 6 column shelf start with the **SECOND** number and proceed left to right. **DO NOT** use 01, 02, etc., on 3 Column vendor.

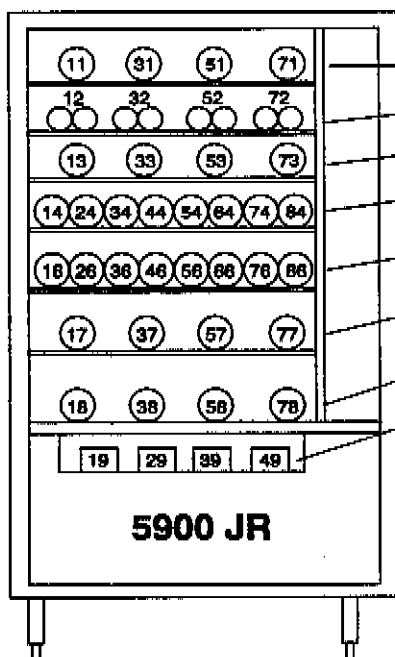
The top shelf is always identified with the lowest number series, i.e., 01 or 11.

Start with #18 on the Gum and Mint Unit.

\* If vendor is a seven shelf model the Gum and Mint selections will be: 19 - 29 - 39.

Gum and Mint Tray

## 5900JR Selection Identification



Selection Identification Label Assortment P/N 593-1908

01	11	21	31	41	51	61	71	81
02	12	22	32	42	52	62	72	82
03	13	23	33	43	53	63	73	83
04	14	24	34	44	54	64	74	84
06	16	26	36	46	56	66	76	86
07	17	27	37	47	57	67	77	87
08	18	28	38	48	58	68	78	88
	19	29	39	49				

4 Column Shelves

8 Column Shelves

4 Column Shelves

Affix labels on shelves, left to right, as shown.

On a Universal Shelf configured as a 4 column shelf use the numbers circled above.

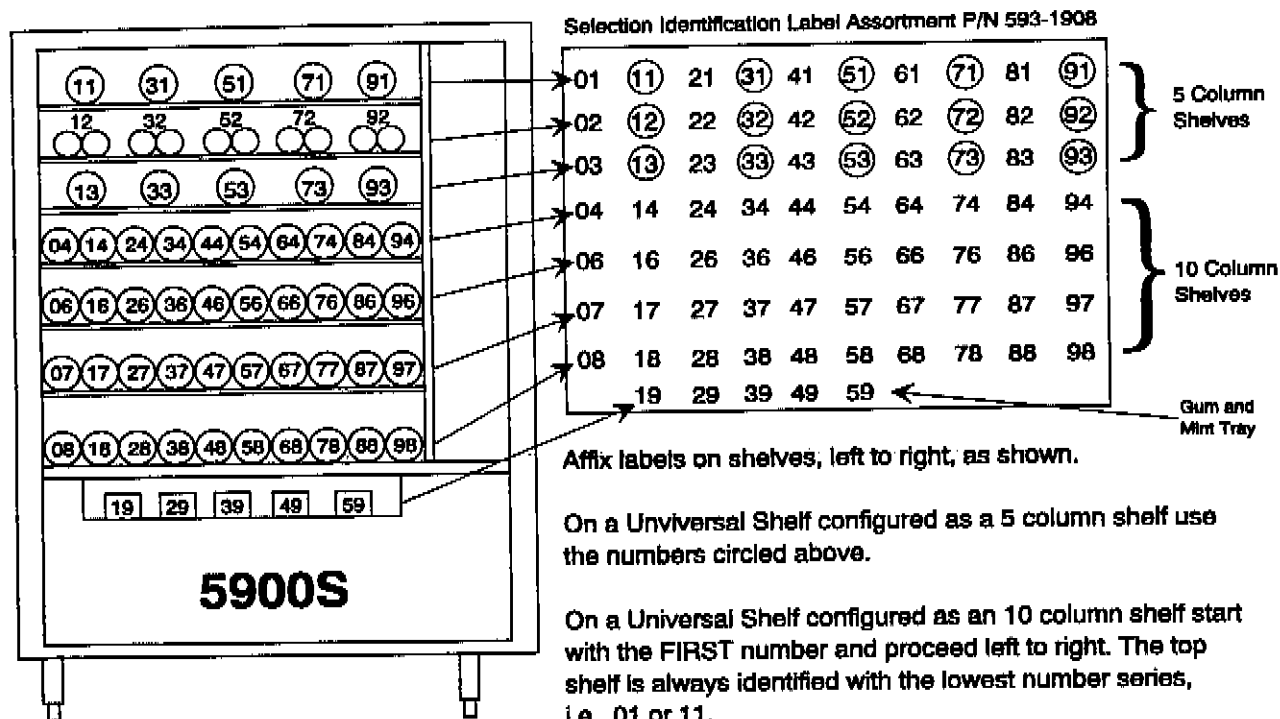
On a Universal Shelf configured as an 8 column shelf start with the **SECOND** number and proceed left to right. **DO NOT** use 01, 02, etc., on 5900 JR.

Always start with #19 on the Gum and Mint Unit.

\* If vendor is a six shelf model the Gum and Mint selections will be: 18 - 28 - 38 - 48 - 58

Gum and Mint Tray

# 5900S Selection Identification



# SECTION 1

# INSTALLATION

---

This section contains instructions for unpacking, moving and installing the 5900 vendor on location. Installation is quick and easy when done in the proper sequence.

## UNPACKING

The Snack Vendor is shipped in one carton with all major assemblies in place, ready for installation. Inspect the exterior and interior of the cabinet for evidence of damage. In case of damage, please notify the delivering carrier at once to examine the vendor regardless of the external condition of the carton. Under U.S. regulations, damage claims must be collected by the consignee. Do not return shipping-damaged merchandise until after your claim has been established. Once your claim is established, damaged merchandise may then be returned to your Rowe Distributor for repair. The invoice for repair charges may then be collected from the carrier. Do not destroy packing material or boxes until the carrier's agent has examined them.

## SET-UP INSTRUCTIONS

### Preliminary (Primary Delivery)

If it is necessary to move the vendor through a narrow doorway, proceed as follows. The power cord anchoring plate can be dismantled from the rear wall, allowing the power cord and plug to be pushed into the cabinet. Be certain to remount the anchoring plate to prevent damage to the power cord. If more clearance is required it will be necessary to pivot the door hinges.

1. Open the main door.
2. Remove the door stop rod.

3. Disconnect the door harness at the plug, located below the delivery box on the hinge side.
4. Disconnect the bill acceptor harness at the power box on the cabinet floor (if so equipped).
5. Open the main door far enough to expose the three counter sunk screws in the top hinge. Block the door to support its weight.

### CAUTION !

The door is heavy. Take appropriate precautions before proceeding.

6. Remove the two 1/2" hex head bolts from the cabinet side of the top hinge plate.
7. Remove the three counter sunk screws and nuts from the top hinge plate on the door.

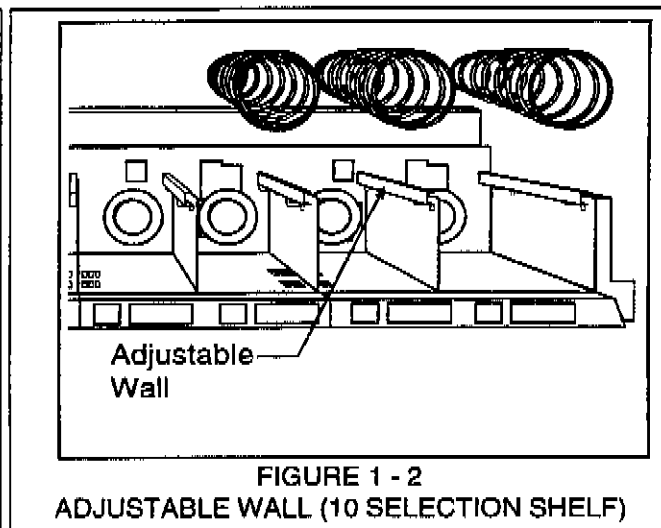
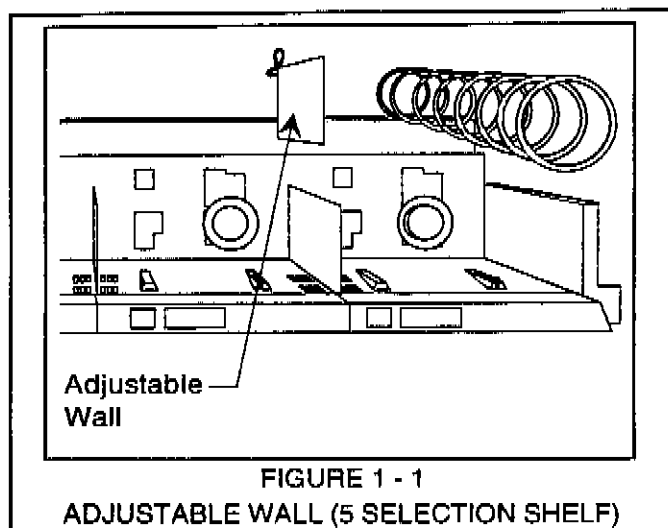
### NOTE:

Take care not to lose the bearing washer on the bottom hinge pin in next step.

8. Rotate the upper hinge assembly away from the door frame and lift the door straight "up" off the lower hinge point.
9. If additional clearance is required, the lower hinge can be pivoted by removing the FRONT 1/2" hex head bolt and loosening the rear bolt one turn. The security shield mounted on the left front edge of the cabinet is also removable if required.

### CAUTION !

The Main switch must be OFF when changing, connecting or disconnecting any electrical components.



10. After passing through the confined area, reassemble the door to the cabinet, being certain to secure all of the parts and harnesses removed in the preceding steps.

### Initial Set-up Procedure

Set up the vendor as follows:

1. Open the main door all the way.
2. Set the main switch to OFF.
3. Level the cabinet front to rear and side to side. All four cabinet legs are adjustable.
4. Ensure that the fluorescent lamp is secure in its socket and that all electrical plugs are firmly seated in their sockets.
5. Plug the line cord into an appropriate receptacle. Ensure good ground.
6. Install a recommended coin mech, if applicable. See Specification sheet on page vi.
  - a) Check coin chute alignment.
  - b) Check return lever operation.
  - c) Adjust if necessary.
7. Set the main switch to ON.
8. Set pricing. (See Program Operation, Section 3.)
9. Pull the top product shelf out and lower it to the loading position. Load product in accordance with the specifications listed at the beginning of this manual.
10. Three (591), four (594) and five (593) selection shelves feature an adjustable wall to the left of the far right spiral. The wall can be installed in any one of the four positions in the bottom of the tray. After adjusting the wall for the
  11. desired width, check to be certain that the product moves freely when the selection on each side of the adjustable wall is vended (See Figure 1-1 and Page 6-22). Additional tray walls are shipped with each machine and can be installed in the pastry tray slots to accommodate the narrower items. On 6, 8 or 10 selection trays, the adjustable wall swings out from the right side of the shelf wall (See Figure 1-2).
  12. Install product pushers where required. The plastic product pushers are snapped onto the helix in the desired position to assure product delivery (See Page 2-2, Figure 2-1).
  13. Place selection identification labels on selections according to pages xiii & xiv.
  14. Place price labels on selections.
  15. Gum and Mint Assembly: Unclip price cover bezel and install selection number and price label.
  16. Gum and Mint Assembly: Reinstall the price cover bezel by snapping it into place.
  17. Gum and Mint Assembly: Load the horizontal Gum and Mint Unit by grasping the pair of handles located on the front of the machine and pulling forward. Slide the cover to the rear of machine.
  18. Gum and Mint Assembly: After sliding the cover forward, push the Gum and Mint Unit back into position.
  19. Gum and Mint Assembly: Adjust the clear flippers to avoid double vends.
  20. Deposit coins and test vend each selection. Check coin return operation.

**UBA Bill Acceptor Switch Settings**

All of the DIP switch settings located on the Rowe UBA assembly circuit board must be set to the OFF position, except switch #2, which must be set to the ON position.

**BILL ACCEPTOR DIP SWITCH SETTINGS**

ROWE	UBA	# 2 ON
MAKA	NBE-20	#1 ON
MARS	VFM-3*	#1, #8 & #7 ON
MARS	VFM**	#2, #6 & #7 ON

\* MARS VFM-3 Version 1-3  
 \*\* MARS VFM Version 4-5

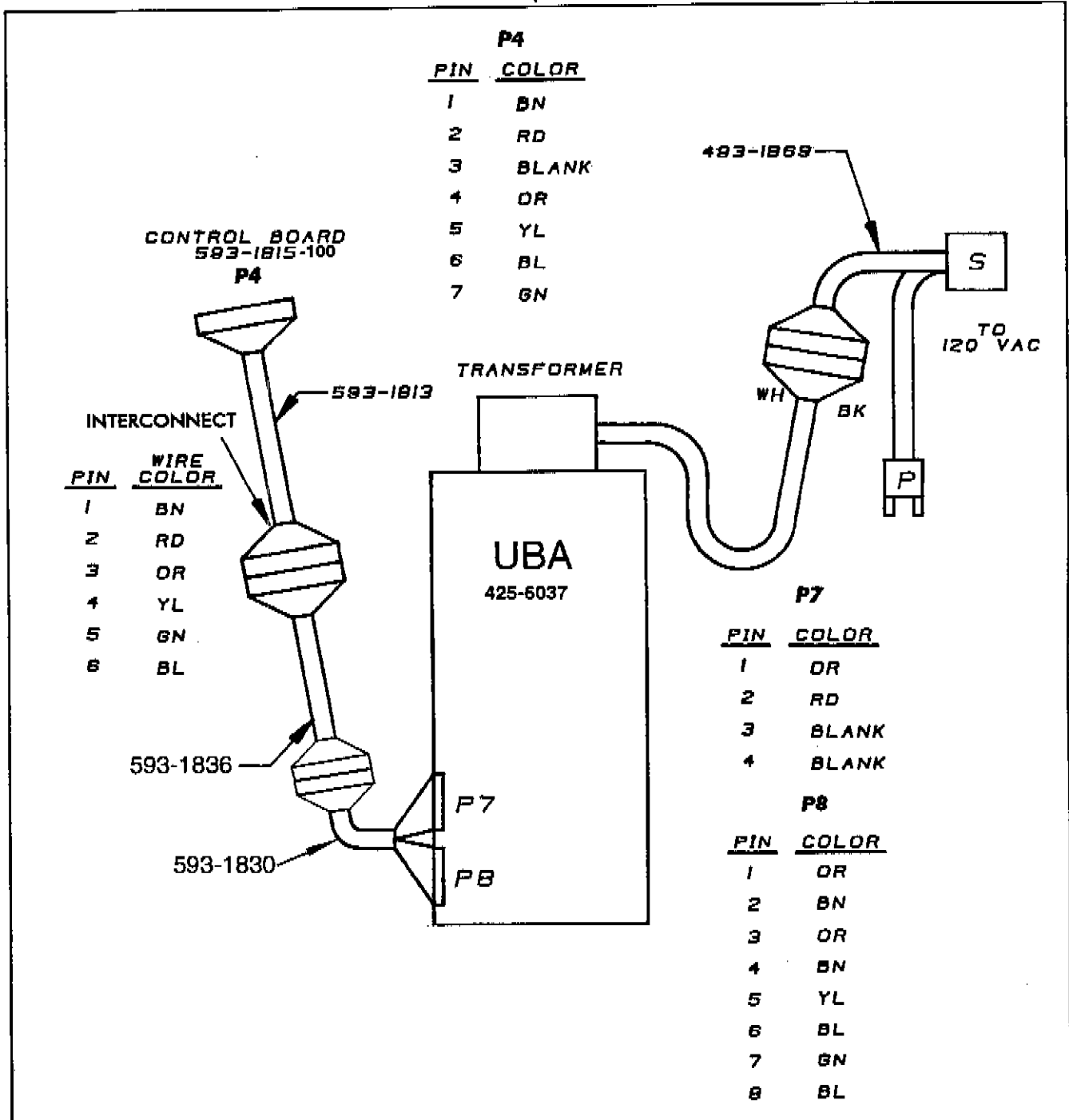


FIGURE 1 - 3 593/594/591 UBA WIRING DIAGRAM

# SECTION 2

# DESCRIPTION

---

## INTRODUCTION

The Rowe 5900 family of Snack/Candy Vendors includes the large capacity 5900S, the medium capacity 5900JR and the 5900C Compact Vendor. All 5900 models vend a wide variety of products from a combination of dual, pastry and candy helixes. Helixes are available in several capacities and are interchangeable between all three models. Each helix is operated by its own motor for trouble-free long life. State of the art electronics provide quick and easy programming, and detailed Management Information System (MIS) data.

During a purchase, merchandise is moved from the display shelf by a rotating helix coil and dispensed into a delivery compartment easily accessible to the customer. A time tested delivery door is easy for the customer to open, but remains theft-proof.

Units with Dual-Helix Shelves will ensure a positive product flow and frontal alignment of larger products. Universal shelves allow the combination of single and Dual-Helix delivery on any shelf creating many snack combinations.

Machine product capacity depends on the size and variety of helix coils used. Coils are removed and replaced without tools, merely by lifting out the existing helix and dropping the replacement straight in.

Product thickness varies considerably. Choose a helix that is appropriate for the product being vended (Refer to page 2-2). Ensure that product fits loosely within the helix coil. Do not place product into a helix that is too small; damage to the product and the vendor may result. Because some bagged snacks swell in size over their normal shelf life,

some trial selection is necessary. The product thickness range specified in this publication for each helix coil is an approximate measurement and will vary according to factors such as how much a product settles, product type, swelling and weight. Standard shelf capacities for each model are shown on pages x-xii.

The slide-out Horizontal Gum and Mint Unit is mounted on its own shelf. Releasing the latch handles on the front of the unit allows it to be pulled forward for easy loading and servicing. Column widths can be easily adjusted by using the product adjustment guides. Double vending is avoided by sliding the product flipper to the proper location and tightening the knob.

A two note Rowe Universal Bill Acceptor (accepts \$1.00 and \$5.00 bills) is available as an option. The acceptor has single bill escrow. Combination purchases using a bill and coins are possible and change for the purchase is dispensed from the coin mech.

The addition of the optional refrigeration unit extends the sales period of temperature sensitive products. Because the cabinet temperature is maintained between 50° F and 70° F, discoloration and melting of chocolate candies and sugar covered pastries is prevented.

The 5900 controller allows the operator to access special vending functions and management information. Detailed Management Information System (MIS) data is accumulated by the controller and can be printed on an optional printer or displayed, line by line, on the message center.



# Product Shelves

## Universal Shelves

All of the shelves in the 5900 Snack /Candy Vendor are universal shelves. This means that all shelves use a universal power connection bracket, which allows them to be placed at any position within the machine. A universal shelf can be modified to support any combination of candy, pastry and dual helixes. Modifying shelves requires removing or adding motors and helixes.

## Shelf Configurations

Shelves are available in three standard configurations: candy, pastry and dual helix. These shelves can be installed at any position within the machine and can be freely interchanged with any other shelf. Helixes can be interchanged to accommodate different product widths. Refer to page ix for helix capacity and part numbers.

## Candy Shelf

A candy shelf has one helix for each possible motor position (593 - 10 Selections, 594 - 8 Selections, 591 - 6 Selections). A candy shelf should be used to vend products up to 2-1/4 inches wide and 2 inches thick.

## Pastry Shelf

A pastry shelf has one helix for each pair of motor positions (593 - 5 Selections, 594 - 4 Selections, 591 - 3 Selections). A pastry shelf should be used to vend products that are 2-1/2" to 5-1/4" wide and 1-5/16" to 2-1/16" thick.

## Dual Helix

Dual helix shelves have two helixes working in conjunction with each other at each pair of motor positions (593 - 5 Selections, 594 - 4 Selections, 591 - 3 Selections). A dual helix selection is driven by a single motor which turns a gear and sprocket arrange-

ment, rotating the helixes in opposite directions. A dual helix shelf is used to vend products that are 2-1/2" to 5-1/4" wide and 1-5/16" to 2-1/16" thick.

## Adjustable Shelf Wall

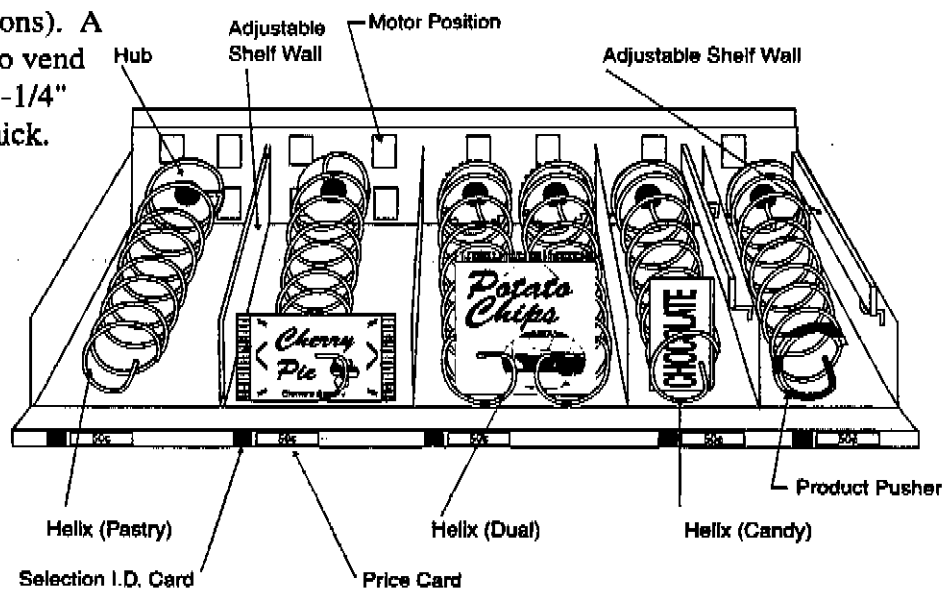
The 5900 Snack/Candy Vendor uses adjustable shelf walls to accommodate varying product widths.

Dual helix and pastry shelves (3, 4 or 5 selection) have an adjustable shelf wall located between the last two selections on the right side of the shelf. The divider can be removed and placed in one of the four slots in the bottom of the tray. Additional dividers are shipped with each machine.

On candy shelves (6, 8 or 10 selections) the adjustable wall swings out from the right side of the shelf wall.

## Loading a Shelf

1. Pull the shelf forward to the loading position.
2. Place product between the helix coils. Start from the front and work toward the rear.
3. Adjust the shelf walls to fit the product. Ensure that product moves freely.



# Horizontal Gum and Mint Unit

The 5900 Snack/Candy Vendor uses a horizontal gum and mint unit located on its own shelf. The unit slides out of the vendor for easy loading and servicing.

## Operation

Product is vended from the gum and mint unit by a motor and product ejector system. During a vend, the motor turns and raises the product ejector. The ejector pushes the product up and over the front of the gum and mint unit. The flipper ensures that only one product is released during each vend. The flippers can be adjusted forward or back to coordinate with the product size. Adjustable product guides can be installed to accommodate narrow product.

## Loading the Gum & Mint Unit

To load the Gum and Mint Unit:

1. Grasp the latch handles and pull the unit forward until it stops. This is the loading position.
2. Slide the cover to the rear of the unit.
3. Install adjustable product guides, if necessary, to accommodate narrow product.
4. Place product in the appropriate selections.

## NOTE:

Do NOT attempt to pull the product pushers forward toward the product. This will damage the constant force springs. When the unit is returned to the vend position, the product pushers will be seated properly against the product.

6. Return the Gum and Mint Unit to the vend position.
7. Test vend each selection. Adjust the flippers to prevent double vending.

## Delivery Door Closure Rate

A dashpot (air damping cylinder) controls the rate at which the delivery door closes. The closure rate can be adjusted to accommodate different vendor models and customer preferences. The adjustment screw is located on the top of the mounting box. Turn the screw clockwise to decrease the air flow and slow the closure rate. Turn the screw counterclockwise to make the door close faster.

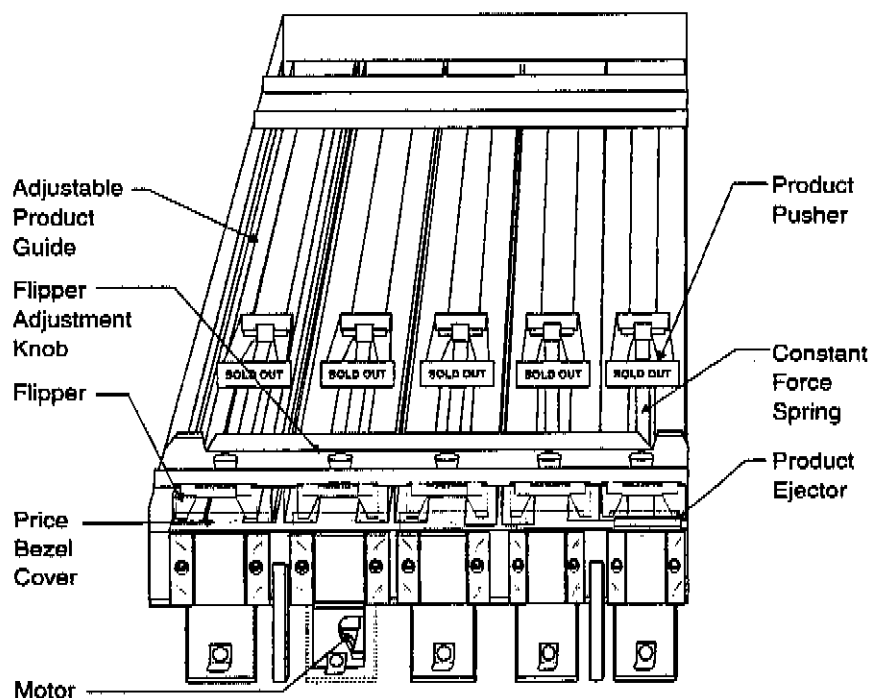


Figure 2-2

## Coin Mechanism (Domestic)

A coin mechanism (coin mech) is required to operate this vendor. Refer to page vi or vii for compatible coin mech listings. The coin mech works in conjunction with other credit acceptance devices, such as a bill validator or debit card reader, to accept and dispense coins during a vend. The 5900 controller regulates the number of coins accepted and dispensed through the coin mech.

### Installing the coin mech

5900 Snack Vendors are compatible with several different coin mech models. The coin mech should be installed according to the directions provided by the coin mech manufacturer.

Because this vendor can operate several different coin mech models, it is important to ensure that the coin mech installed on your vendor is aligned properly with the coin chute located on the vendor. Also check to ensure that the vendor's coin return lever actuates the coin return lever on the coin mech. Make the adjustments necessary for the coin mech to operate properly.

### Coin Mech Loading

There are three methods of loading coins into the coin mech while in the service mode:

1. Coins can be added to the coin mech through the normal coin insert located on the customer display. If coins are loaded in this manner the number of coins is registered by the controller and automatically added to the coin tube total.

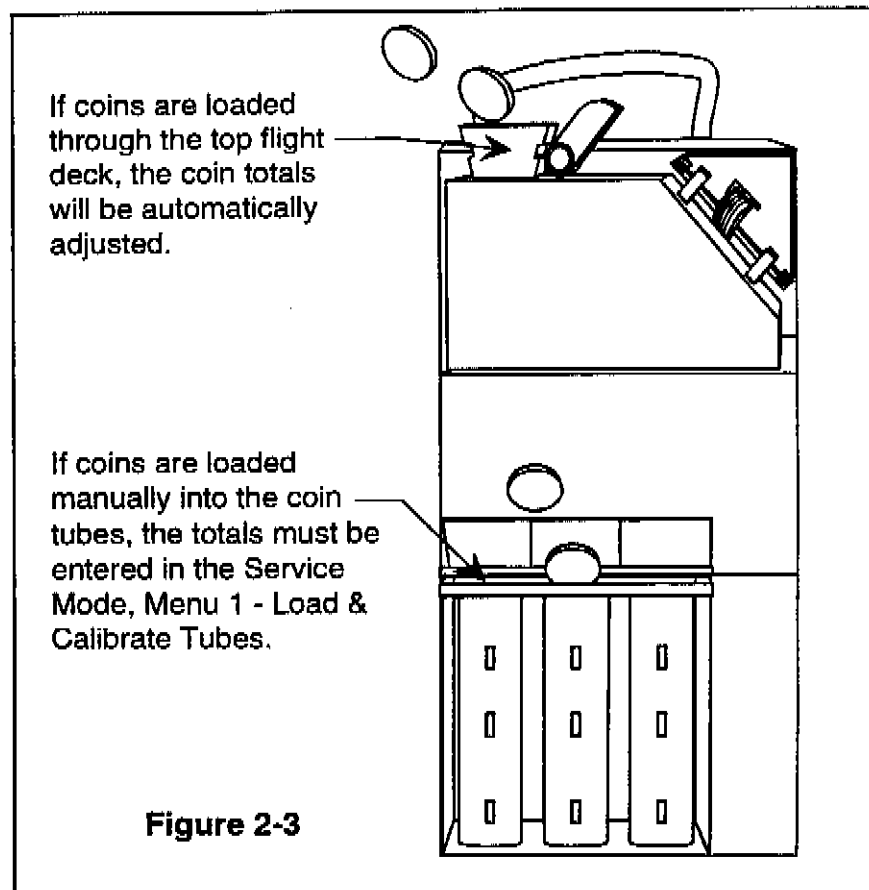


Figure 2-3

2. Coins can be added through the top flight deck located on the top of the coin mech. If coins are loaded through the top flight deck, the number of coins is registered by the controller and automatically added to the coin tube total.
3. Coins can be added through the side of the coin mech, directly into the coin tubes. If coins are added directly to the coin tubes they are not registered by the controller, and the number of coins loaded must be entered using Menu 1 - Load and Calibrate Coin Tubes, in the Service Mode. **It is extremely important to record the correct number of coins when loading coins directly into the coin tubes. Payout and acceptance criteria are based upon the number of coins in the coin mech.**

## SELECTION IDENTIFICATION

( See page xiii & xiv)

Selection identification is as follows:

### First digit:

The first digit identifies the location of an item on the shelf.

### Dual Helix & Pastry Shelves

On all models with a 3, 4, or 5 item shelf, the first item from the left is 1, the second is 3, the third is 5, etc.

### Candy Shelves

On a model 591 or 594, 6 or 8 selection shelf, the first item from the left is 1, the second item is 2, the third item is 3, etc. On a model 593, 10 selection shelf, the first item is 0, the second item is 1, the third item is 2, etc.

### Second digit:

The second digit identifies the shelf locations. The top shelf is 1, second from top is 2, third from top is 3, fourth from top is 4, fifth from top is 6, sixth from top is 7. Gum and Mint selections are 9 on a 7 shelf configuration and 8 on a 6 shelf configuration. In the case of a five shelf machine the top shelf is designated as #2.

Examples:

### Six Shelf Machine

Top Shelf - 5 Selection					Fourth Shelf - 5 Selection									
11	31	51	71	91	14	34	54	74	94					
Second Shelf - 5 Selection					Fifth Shelf - 10 Selection									
12	32	52	72	92	04	16	28	38	48	53	65	76	86	96
Third Shelf - 10 Selection					Sixth Shelf - 5 Selection									
03	13	23	33	43	53	63	73	83	93	17	37	57	77	97

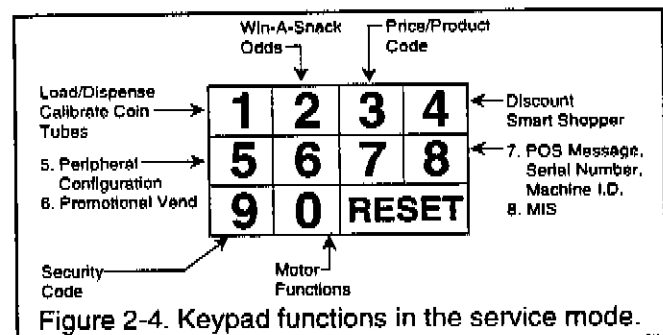
### Making a Selection

To make a selection, deposit the proper amount of money. The display shows the amount of credit entered. The price is displayed beneath each item. Press the two digits corresponding to the selection number shown beneath the product.

The purpose of the <Reset> button is to erase the first number if it is entered incorrectly. This can also be accomplished by pushing the coin return.

### Selection Buttons

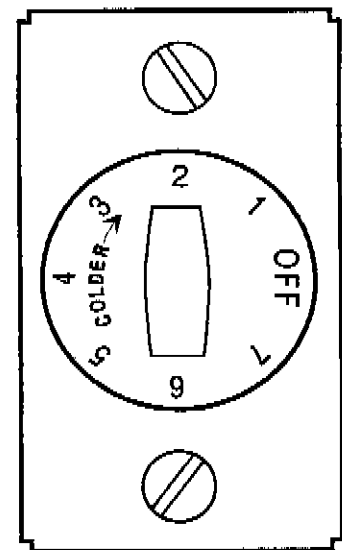
There are 10 selection buttons numbered from 1 to 0. There is also a <Reset> button. These buttons are used by the patron to make a purchase from the vendor. They are also used by service personnel to access the service mode and program all of the machine's operating and management features. Refer to Section 3 for detailed programming instructions for the vendor using the service mode.



### Temperature Control (Optional)

The temperature control knob is mounted to the refrigeration unit, near its AC power input socket, beside the transformer box assembly.

To maintain an even temperature distribution the evaporator blower runs continuously, even if the control is set to off. Turn the temperature control knob slowly clockwise from the off position until the condenser fan and compressor start. Let the system run for twenty (20) minutes before checking the cabinet temperature. If a lower temperature is desired turn the control knob clockwise to the next higher number. Allow the system to run twenty (20) minutes before taking another reading.



## Special Vending Modes

The 5900 incorporates many special vending features. These features are enabled and disabled using the DIP switches located on the 5900 Controller. The DIP switch settings and their associated features are listed below. When the DIP switch is ON, the associated feature is enabled. Setting the DIP switch OFF will disable the feature.

Changing the language setting applies only to the message prompts displayed to the customer (see the list on page 2-8). The text in the service menu as well as error messages will remain in English.

### DIP SWITCH SETTINGS

POSITION	ASSIGNMENT
1	Language
2	Language
3	Force Vend
4	Promotional Vend
5	Multivend
6	Win-A-Snack

### TABLE FOR LANGUAGE SETTING

POSITION 1	POSITION 2	LANGUAGE
ON	ON	Spanish
ON	OFF	French
OFF	ON	German
OFF	OFF	English

#### Force Vend

This feature is intended to force credit accrued from a bill validator or coin mech to be used to purchase an item. Escrow attempts of the bills held in the bill validator or coins deposited in the coin mech will not be allowed if this feature is active. This credit will not be returned if a vend is unsuccessful or an invalid selection is made. Change will be made.

#### Promotional Vend

This feature is intended to free vend a second item when an item is purchased for the programmed price. Five pairs of items may be programmed. See page 3-6 for programming instruction.

#### Multivend

This feature is intended to increase sales and make multiple purchases more convenient for a customer. After a first selection is made, the "SELECT OTHER ITEM" message will be displayed. The remaining credit will be shown on the display and another selection may be made. If more money is inserted, the credit will remain indefinitely, until a vend is made or the coin return is depressed. If there is no machine activity following the first vend, the remaining credit will automatically be returned after 10 seconds.

#### Win-A-Snack

This feature is intended to free vend a product on a random basis with a prescribed occurrence level being programmed by the service person. When a Win-A-Snack win occurs, the selected item will be vended and the entire credit will be returned. Range of odds: 1:50 to 1:500 in steps of 50.

#### Smart Shopper

The smart shopper feature allows the customer to purchase two items of the same selection, and receive the second at a discounted price.

When a discount is programmed, this feature is always enabled. If the discount amount is set to zero or greater than the maximum price this feature will have no effect. All items in the machine will be discounted the same amount as programmed. See page 3-4 for programming instructions.

To operate this feature, the <RESET> button must be pressed twice before a selection is made. The smart shopper mode will remain active for 60 seconds after the reset button is pressed or until a selection is made. A double vend will be conducted on the chosen selection and change will be returned, with the discounted amount being calculated into the second vend's price.

#### Remote No Sale

When the Remote No Sale Switch is ON, sales on row 4 will be disabled. The "SELECT OTHER ITEM" message will be displayed if a row 4 selection is attempted. This feature may be used to prevent sales of items during particular times (manual setting).

## Feature Prioritization

Win-A-Snack and Promotional Vend  
Multivend  
Smart Shopper Mode  
Force Vend

## Explanation of Prioritization

Assume the following machine configuration:

Win-A-Snack - ON  
Promotional Vend - ON  
Force Vend - ON  
Smart Shopper Mode - ON

Consider the instance of a Win-A-Snack winner after the <RESET> button has been pressed twice. If a purchased side of a promotional pair is selected and sufficient credit was already inserted from a bill validator, the first item will be vended, then the free item will be vended and the entire amount of deposited money returned. In essence the Force Vend and Smart Shopper features have been overruled by the Win-A-Snack feature but the Promotional Vend was performed in conjunction with a Win-A-Snack winner.

## Automatic Lockout

The Automatic Lockout feature is implemented by setting one or more time periods, or events, in which the machine is to be disabled. During a

lockout period, the display will scroll the message "MACHINE DISABLED UNTIL XXXX," where "XXXX" is the time the machine will return to service. There are 10 programmable events available. An event may be programmed to occur on a particular day, every work day (Monday through Friday), or every day of the week. When programming Automatic Lockout events, make sure events do not overlap and OFF times are always later than ON times.

## COIN PAYOUT BUTTONS

Four momentary push button switches are located on the control board for dispensing coins. The following coins may be dispensed: nickel, dime, quarter, and dollar (for changers with dollar coin payout). These buttons will only be enabled during a Key <1> Load/Dispense/Calibrate routine in the service mode with a domestic changer connected. The approximate rate of dispense with a button depressed is 2 coins per second. These buttons will be ignored if more than one is pressed.

## SERVICE <MODE> BUTTON

The Service <MODE> Button is a momentary push button located on the control board and is used to enter and exit the service mode.

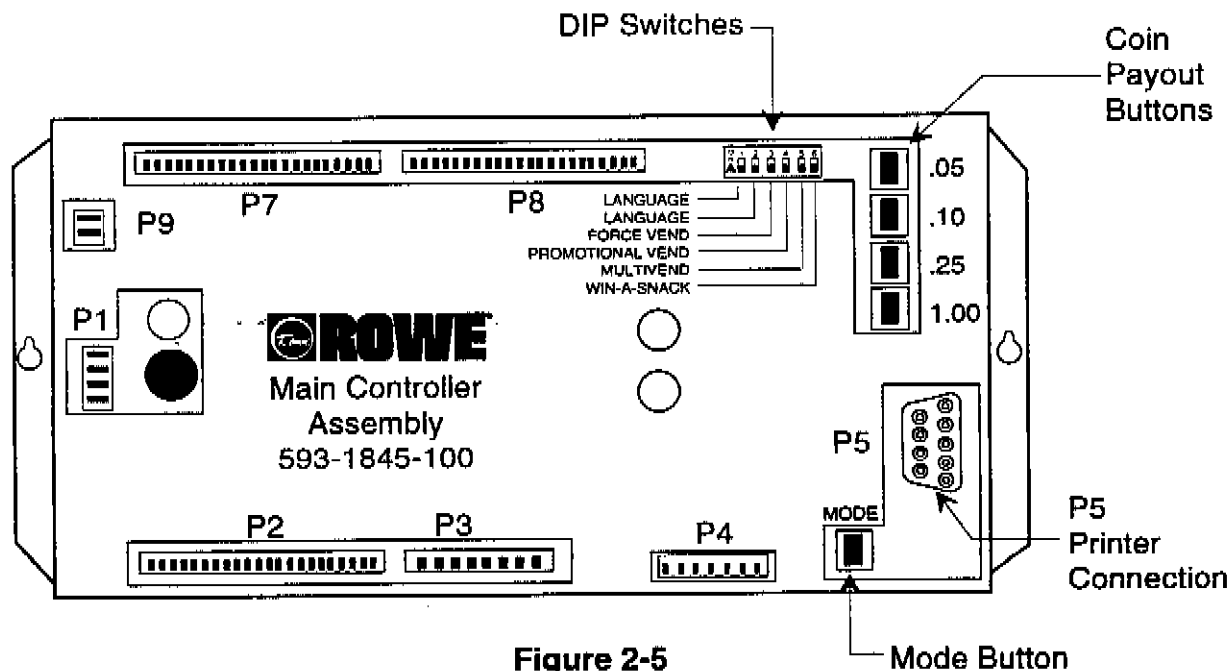


Figure 2-5

## DISPLAY MESSAGE PROMPTS

### "EXACT COINS ONLY"

This message is scrolled when the changer reports that the nickel tube does not contain any coins above the low level sensor. With an MS 1900 Coin Mech, the controller will scroll this message when the changer is signaling an exact change only status (i.e., less than 4 nickels in the coin tubes).

### "SELECT OTHER ITEM"

This message is shown on the display when a vend is attempted on row 4 with the unit programmed for Remote No Sale, following an unsuccessful vend, following an invalid selection number and during a Multivend operation.

### "PRICE"

This message is shown for 600 milliseconds after a valid keypad selection has been made. The selection's price will immediately follow the selection on the display.

### "THANKS"

This message is shown for 600 milliseconds following a successful vend and dispensing of change.

### "CHANGE"

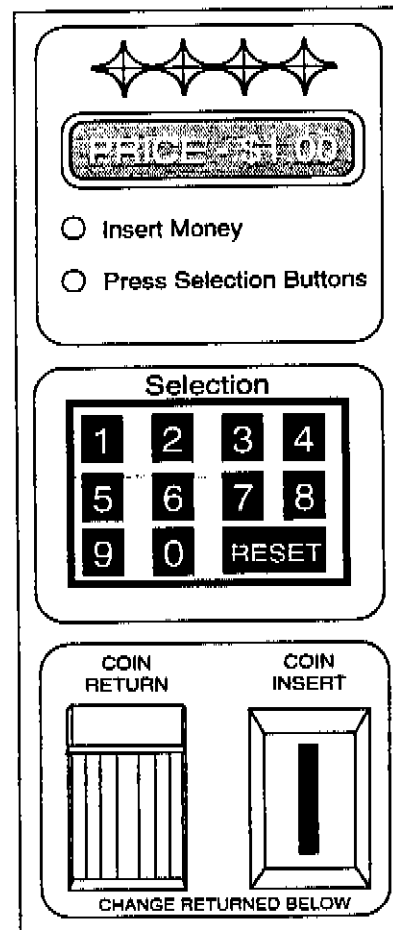
This message is shown only when using a domestic Coin Mech. It will be shown for 600 milliseconds immediately following a successful vend.

### "COINS ONLY"

This message is scrolled when the dime and quarter tubes are empty but the nickel tube has coins.

### "MACHINE OUT OF ORDER"

This message is scrolled when a particular peripheral is selected and a valid start-up message is not received. The bill validator will not disable the machine since no start-up message is available. If no peripherals are selected, the machine will display the Point of Sales message.



### AUDIO FEEDBACK

A piezo-type chime mounted on the display board is sounded for the following events:

- Insufficient credit condition after a selection was made (3 - 300 millisecond beeps)
- Unsuccessful vend (3 - 300 millisecond beeps)
- Between Multivend selections
- Successfully decoded keypad entries
- Opening of the door
- Pressing of the service mode button
- Exit from service mode

### The Point of Sale Message

This message is scrolled during periods of no activity when the changer is not exhibiting a low coin tube status. The message will be a maximum of 250 characters in length and will be programmable in the service mode. This message will not be effected by the position of the Language DIP switch. See page 3-8 for instructions on programming this message.

# Management Information System (MIS) Data

The 5900 controller stores sales and credit information useful in tracking the vendor's performance. MIS information can be displayed on the customer display or printed with an optional printer. For instructions on accessing MIS information refer to page 3-9.

The following information is collected and stored by the 5900 controller:

## MACHINE SERIAL NUMBER:

Range: (Blank) to 9999999999

## MACHINE IDENTIFICATION NUMBER

Range: (Blank) to 9999999999

## AUDIT NUMBER: (Non-resettable)

Equals the number of times the retrieval of MIS Information has been performed (Mode Key - <7>)

Range: 1 - 99999

## SALES (Resettable)

Range: 0 - \$999,999.95

## SALES (Non-Resettable)

Range: 0 - \$999,999.95

## BAG TOTAL

Equals total accumulation of Cash Box plus Bill total amounts.

Range: 0 - \$999,999.95

## CASH BOX

Equals total amount in Cash Box

Range: 0 - \$999,999.95

## CARD SALES

Equals total amount in credit sales vended

Range: 0 - \$999,999.95

## BILLS IN STACKER: (Where applicable)

BILL TOTAL - Equals all bill denominations in Bill Acceptor Stacker

Range: 0 - \$999,999.00

Ones 0 - \$65,535.00

Twos 0 - \$131,070.00

Fives 0 - \$327,675.00

Tens 0 - \$655,350.00

Twenties 0 - \$999,980.00

## COINS IN TUBES:

TUBE TOTAL - Equals all coin denominations in Coin Mech Tubes

Range: 0 - \$357.00

\$1 Coin 0 - \$255.00

Quarters 0 - \$63.75

Dimes 0 - \$25.50

Nickels 0 - \$12.75

WIN SNACK VENDS: Equals the total win counts and cash amount given away.

Range: 0 - \$999,999.95

SHOPPER VENDS: Equals the number of vends and cash amount of discounted product dispensed.

Range: 0 - \$999,999.95

PROMO VENDS: Equals the number of vends and cash amount of free selection vended when making a certain paid selection.

Range: 0 - \$999,999.95

VEND PER PRODUCT CODE: Equals the number of times an assigned product code selection had been vended.



## MIS PRINTER SETUP

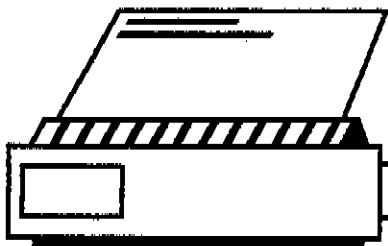
Previous versions of 5900 software required the printer to be configured with 2400 baud, even parity, 8 data bits, and 1 stop bit. Version 6.0 and later changes this configuration to a selectable baud rate, no parity, 8 data bits, and 1 stop bit. This setup allows the 5900 Snack/Candy Vendor to be configured the same as the Rowe 548 Showcase Merchandiser, the 550 Showcase Merchandiser, and the Rowe CD Jukebox. The same printer may now be used to retrieve data from all these machines without changing the printer setup. Printer wiring has also been simplified. Only three wires are required. Below is the schematic of a generic printer harness. Check the owner's manual for the printer you are using to verify proper connections at the printer end.

<b>5900 Control</b>	<b>25 Pin RS232</b>
<b>Board</b>	<b>Printer Plug</b>
(TxD) P5-3-----	Pin 2 or 3 (RxD)
(GND) P5-5-----	Pin 7 (GND)
(CTS) P5-8-----	Pin 5 or 20 (BUSY)

## Sample MIS Report

ROWE INTERNATIONAL			
-----			
5900 SOFTWARE V 6.0			
ACCOUNT RECORD			
11:22 11-13-95			
-----			
SERIAL #	-	0000000000	
MACHINE ID	-	0000000000	
AUDIT NUMBER		23	
SALES (R)	- \$	1.00	
SALES (N)	- \$	26.50	
BAG TOTAL	- \$	6.00	
CASH BOX	- \$	.00	
CARD SALES	- \$	.00	
BILLS IN STACKER			
BILL TOTAL	-	\$	6.00
ONES	-	1 \$	1.00
TWOS	-	0 \$	.00
FIVES	-	1 \$	5.00
TENS	-	0 \$	.00
TWENTIES	-	0 \$	.00
COINS IN TUBES			
TUBE TOTAL	-	\$	8.00
\$1 COIN	-	0 \$	.00
QUARTERS	-	20 \$	5.00
DIMES	-	20 \$	2.00
NICKELS	-	20 \$	1.00
WIN-SNK VENDS	-	0 \$	.00
SHOPPER VENDS	-	0 \$	.00
PROMO VENDS	-	0 \$	.00
FREE VENDS	-	0 \$	.00
VENDS PER PRODUCT CODE			
CODE 01 VENDS	-	2	

Figure 2-6



Rowe recommends the Seiko DPU-411-21BU Serial printer for retrieving MIS data. A printer harness, Rowe P/N 593-1800, is required to connect the printer to the controller.

# Section 3

# Program Operation

---

## Introduction

This section contains detailed instructions on how to program all of the machine's features, retrieve MIS information, set prices, and load and calibrate the coin tubes.

There are two operation modes that the operator can access. The first mode is the Diagnostic Mode, which is activated when the door is opened. The Diagnostic Mode will list recorded machine errors and allow the operator to clear them from the system. The second mode is the Service Mode, through which the operator can program the various machine functions and retrieve MIS information.

In this manual, messages that appear on the display will be shown in upper case letters enclosed by quotation marks. The keys on the selection panel used to program the machine are enclosed in < > marks.

## Diagnostic Mode

The following error messages will be displayed during the Diagnostic Mode. They will be displayed repetitively in the following order until cleared or until the Service Mode is entered. To clear an error, press the <RESET> Key. "NO ERRORS" followed by "SYSTEM OK" will be displayed when the last error is cleared.

## Error Messages

**"OVER CRNT= XX"** - This message indicates motors that have been short circuited or jammed.

**"HOME FAIL XX"** - This message lists motors that have not returned to the home position or that have failed to move from the home position.

**"CHK PRICE XX"** - This message indicates selections with corrupted or invalid prices.

**"LINK PWRUP"** - This message appears when a master type peripheral (executive coin mech) is configured and communication is not established.

**"CHGR PWRUP"** - This message appears when a logic type coin changer is configured and communication is not established.

**"CARD PWRUP"** - This message appears when a debit card reader is configured and communication is not established.

**"BILL ERROR"** - This message appears when a bill validator is configured and the validator's diagnostic line has been active.

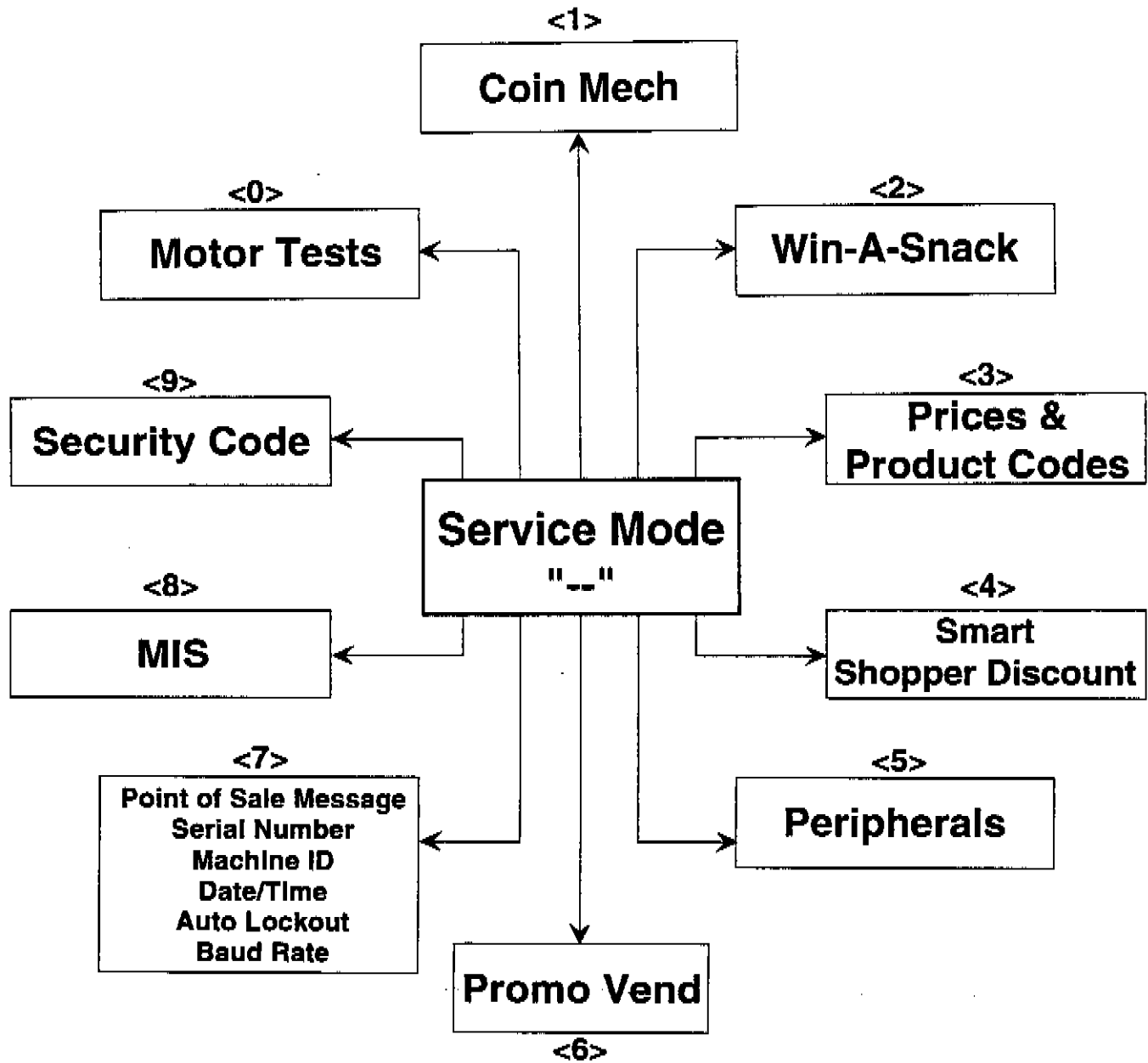
**"COIN JAM" or "BAD SENSOR"** - This message appears when a logic coin changer signals either a coin jam or a bad sensor.

**"TUBE ERROR"** - This message appears when a logic type coin changer is configured and a transaction has been detected on the lower level tube sensors.

**To correct any of the errors listed above, refer to Section 4 - Troubleshooting.**

# Service Mode Flow Chart

## Fig 3-1



# SERVICE MODE OPERATION

The Service Mode is accessed by either pressing the <MODE> button on the control board while the main door is open, or by entering the security code on the keypad. If the security feature is enabled, the service mode must be entered by entering the security code on the keypad, in order to have access to secured menus. Once in the Service Mode, the operator will be able to access all of the 5900's operating and management options. The different options in the Service Mode are located in ten menus. The menus are accessed through the number keys on the keypad. Follow the instructions in this section to program the 5900 Snack/Candy Vendor. Refer to the flow chart on page 3-2.

## I. Access the Service Mode

1. Press the <MODE> button on the control board. A dash "-" will appear in the far left display digit indicating that the root service menu has been accessed. If the security feature is enabled, enter the security code using the keypad to gain access to all menus. If there is no keypad activity for 60 seconds, the controller will return to the Diagnostic Mode.
2. Press one of the following keys to access the menu you wish to program.
  - <1> Load and Calibrate the Change Tubes
  - <2> Win-A-Snack Odds Programming
  - <3> Price, Product Code, and Discount Eligibility
  - <4> Smart Shopper and Discount Amount Programming
  - <5> Manual Peripheral Configuration
  - <6> Promotional Vend Pairing
  - <7> POS Message, Serial and ID Number Programming, Date, Time, and Auto Lockout Setup
  - <8> MIS Display and Printer Communications
  - <9> Programming the Security Code and Security Features
  - <0> Motor Functions
3. Press the <RESET> key to exit the current menu and return to the root menu.

## II. KEY 1 - Load/Dispense/Calibrate the Changer Tubes

### Purpose:

To allow the operator to inventory and adjust the number of coins in the coin tubes. If coins are

manually added to the tubes, the coin count must be adjusted in this menu. If coins are deposited or paid out while in this mode the display will automatically show the inventory level of the last coin dropped. The coin tubes are listed as "NIKLS", "DIMES", "QUTRS" AND "DOLRS".

### NOTE:

When coins are paid out below the tube level sensor, the count is reset to four, and coin tube counts may become corrupted.

### Programming Instructions

1. Press <1> on the keypad.
2. Response will be: "NICKELS XXX". *XXX represents the number of nickels in the tubes.*
3. Press <0> to move to the next coin tube without changing the coin count in this tube.
4. Press <1> to increment the tube total.
5. Press <2> to decrement the tube total.
6. Press <0> to move to the next tube after inventory changes.
7. Press <RESET> to return to the root menu without saving changes.
8. Repeat steps 1-6 for each of the coin tubes.

### NOTE:

Payout and acceptance criteria are based on the values of the coin tube levels.

### III. KEY 2 - Win-a-Snack Odds Programming

**Purpose:**

To program the Win-a-Snack odds. The odds range from 1:50 to 1:500.

**Programming Instructions:**

1. Press <2> on the keypad.
2. Response will be "ODDS 1/XXX". *XXX represents a number between 50 and 500.*
3. Press <1> to increment the odds at intervals of 50.
4. Press <2> to decrement the odds at intervals of 50.
5. Press <0> to save the change and return to the root menu.
6. Press <RESET> to return to the root menu without saving changes.

**NOTE:**

Dip switch #6 on the control board must be ON to enable this feature.

### IV. KEY 3 - Price, Product Code, and Discount Eligibility Setting

**Purpose:**

To set prices and product codes and to enable the Smart Shopper discount. The amount of the Smart Shopper discount will be programmed in the next menu. Only selections that have a motor present can be modified in this menu.

**NOTE:**

Ensure that the shelf to be programmed is in the vend position, with the electrical connector at the rear of the shelf engaged with the electrical connector mounted to the cabinet.

**NOTE:**

When installing a new control board, all selections must be reprogrammed to avoid setting error messages in the diagnostics. Selections that had prices previously set but whose motors are no longer detected will be flagged as "CHK PRICE" in the diagnostic display.

**Programming Instructions:**

1. Press <3> on the keypad.
2. Response will be "SET PRICE?".
3. Enter a two digit selection number.
4. Response will be "AA BBBB \* CC".  
*'AA' = Selection number*  
*'BBBB' = Price*  
*'\*' = Discount eligibility*  
*'CC' = Product code*
5. Press <1> to increment the price.
6. Press <2> to decrement the price.
7. Press <3> to increment the product code.
8. Press <4> to decrement the product code.
9. Press <5> to toggle the discount eligibility option (The asterisk indicates that the option is enabled).
10. Press <9> to save the changes. The information saved will be displayed at the next selection on the shelf. To modify the settings on the rest of the selections, repeat steps 5-9. To keep the settings the same, press <9> again. In this manner prices may be copied from one selection to the next.

### V. KEY 4 - Smart Shopper Discount Amount

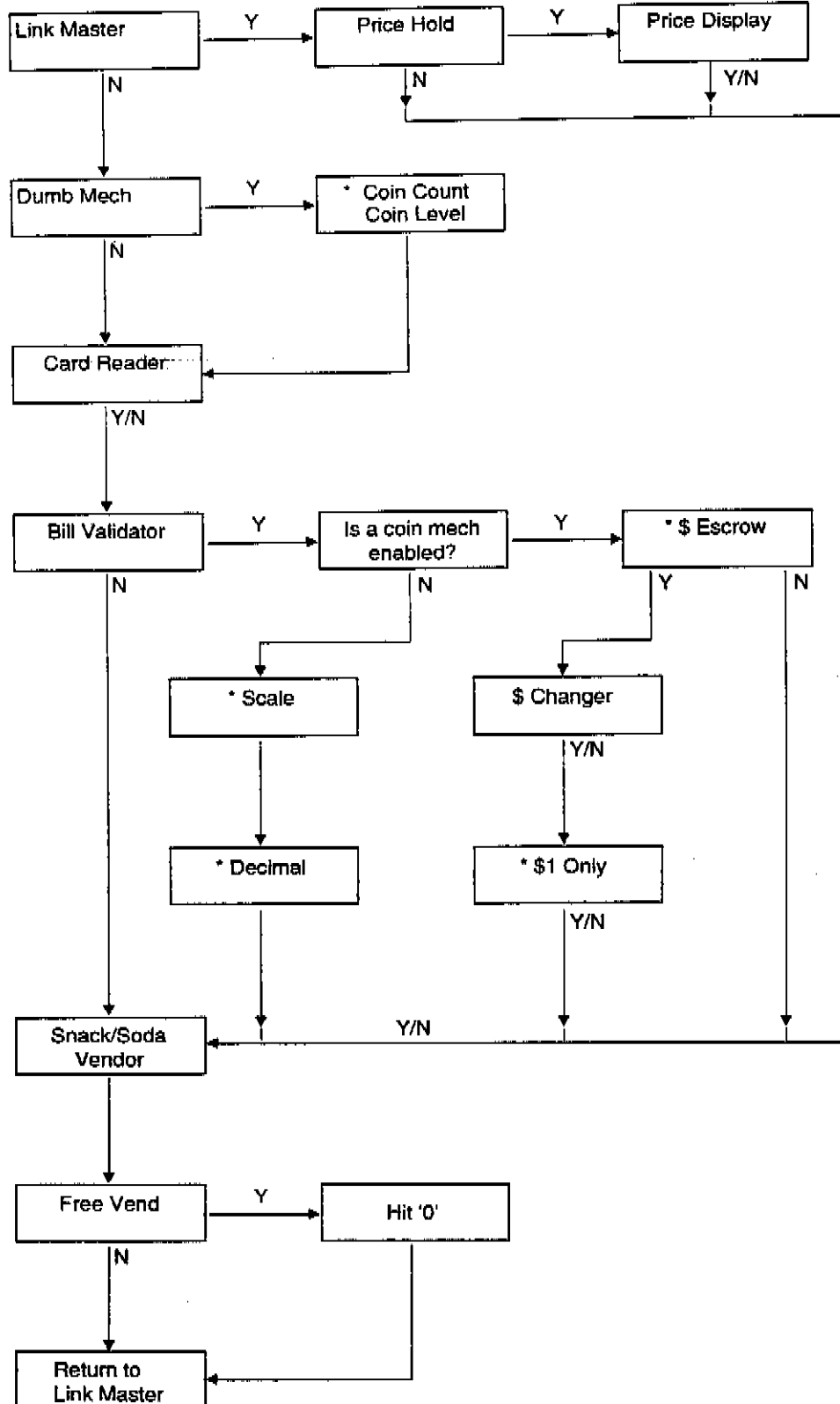
**Purpose:**

To set the amount of the Smart Shopper discount. The Smart Shopper discount is only valid on items on which the Smart Shopper option was enabled in Menu 3.

**Programming Instructions:**

1. Press <4> on the keypad.
2. Response will be "DSCNT XXX".  
*XXX represents the amount of the discount.*
3. Press <1> to increment discount.
4. Press <2> to decrement discount.
5. Press <0> to save the discount amount.

When reviewing the settings in Peripheral Configuration, key <6> may now be used to quickly view one setting after another without having to SAVE each setting.



\* Fig 3-2. Flow chart representing the programming steps of the Peripheral Configuration Menu. Blocks marked with an "\*" indicate new functions described on page 3-6.

## VI. Key 5 - Manual Peripheral Configuration

### Purpose:

To configure major peripherals on the vendor. The following options are configured in this menu:

- Link Master (Executive Coin Mech)
  - Price Hold
  - Price Display
- Dumb Mech
  - Coin Count/Coin Level
- Debit Card Reader
- Bill Validator
  - \$ Escrow
  - Dollar Changer
  - \$1 Enable
  - Scale and Decimal Position
- Snack / Soda
- Free Vend

### COIN COUNT/COIN LEVEL

This feature is available when a Dumb Coin Changer is selected. With **COIN COUNT** enabled, bill validator enable and the **COINS ONLY** messages are activated based on coin tube counts stored in the MIS section. With **COIN LEVEL** enabled, not only are the coin tube counts that are stored in MIS used, but the low coin level sensors in the coin changer are used as well. If the coin count for one of the coins is greater than 4 and the level sensor is blocked, the count is modified with the normal acceptance and dispensing of coins. If the level sensor should open up and the count is greater than 4, the count is automatically adjusted to 4 and a **TUBE ERROR** is recorded. On the other hand, if the count goes below 4 and the sensor is still covered up, the count will be set back to 4. Again, bill validator enable and the **COINS ONLY** messages are activated based on the coin counts; however, the counts may be modified based on the true coin levels.

### SCALE/DECIMAL

A bill validator may be added without a coin changer. Because the coin changer sets the scale factor and decimal location for pricing, those items must be programmed when a coin changer is missing.

### \$ ESCROW Y/N

This feature is designed to allow the use of alternate bill validators that do not have an escrow feature. Check with the bill validator manufacturer to see if the validator you wish to use conforms to the Rowe CBA-2 escrow protocol. Only set \$ ESCROW to YES if the bill validator being used has an escrow circuit. This setting does not automatically hold a bill in escrow if turned on. It only lets the controller know that the validator has an escrow circuit.

### \$1 ONLY

This feature was previously called \$5 ENABLE. Because the Snack/Candy Vendor can accept up to a \$20 bill, this feature has been renamed to better describe its function. Set \$1 ONLY to YES to accept \$1 bills only and reject all others. Set \$1 ONLY to NO to accept all denominations from \$1 to \$20 based on available change in the coin changer and notes enabled in the bill validator.

### Programming Instructions:

1. Press <5> on the keypad.
2. Response will be "LNK MSTR Y" or "LNK MSTR N".
3. Press <1> to toggle "Y" or "N".
4. Press <5> to proceed to the next menu option.
  - a. If "LNK MSTR" was enabled, the next menu item will be "PRC HOLD N".
  - b. If "LNK MSTR" was disabled, proceed to step 37, "SNACK/SODA".

### NOTE:

If Link Master Y is selected, the coin mech must also be reconfigured. Refer to coin mech manufacturer's instructions.

The following instructions are for price hold and price display options.

5. Press <1> to toggle Y/N to enable or disable "PRC HOLD".
6. Press <5> to proceed to the next menu item.
7. If "PRC HOLD" was enabled, the next menu item will be "PRC DISP". If "PRC HOLD" is disabled, "PRC DISP" is automatically disabled.

8. To enable or disable "PRC DISP" press <1> to toggle Y/N.
9. Press <5> to proceed to the "DUMB MECH" option.
10. The display will read "DUMB MEC Y".
11. Press <1> to toggle Y/N.
12. Press <5> to save and proceed to the next option.  
If "DUMB MEC Y" was selected, the next menu item will be "COIN COUNT/COIN LEVEL". If "DUMB MEC Y" was selected, go to step 15.
13. Press <1> to toggle between 'COIN COUNT' and 'COIN LEVEL'.
14. Press <5> to save and proceed to the next menu option.
15. Display will read "CARD RDR N".
16. Press <1> to toggle Y/N.
17. Press <5> to save and proceed to the next menu option.
18. Display will read "BILL VAL Y".
19. Press <1> to toggle Y/N.
20. Press <5> to proceed to the next menu item.  
If the bill validator is enabled, and "DUMB MEC N" was selected, go to step 31 to set up the scale factor and decimal placement. If "DUMB MEC Y" was selected, the next menu option will be "\$ ESCROW".
21. Display will read "\$ ESCROW Y/N".
22. Press <1> to toggle Y/N.
23. Press <5> to save and proceed to the next menu option.
24. If "\$ ESCROW Y" was selected, the next option will be "\$ CHNGR N". If "\$ ESCROW N" was selected, proceed to step 37.
25. Display will read "\$ CHNGR Y/N".
26. Press <1> to toggle Y/N.
27. Press <5> to save and proceed to the next menu option.
28. Display will read "\$1 ONLY Y/N".
29. Press <1> to toggle Y/N.
30. Press <5> to save and proceed to step 37.
31. Display will read "SCALE 5".
32. Press <1> to change the scale to 1, 5, 10, 50, 100, or 500.
33. Press <5> to save and proceed to set the decimal position.
34. Display will read "DEC 0.00".
35. Press <1> to change the decimal position to .000, 000, 00.0, or 0.00.
36. Press <5> to save and proceed to the next menu option.
37. Display will read "SODA VEND" or "SNACK VEND".
38. Press <1> to toggle from "SODA VEND" to "SNACK VEND". Select "SNACK VEND".
39. Press <5> to save and proceed to the next menu.
40. The display will read "FREE VND N".
41. Press <1> to toggle Y/N.
42. If Free Vend is chosen the display will read "HIT KEY '0'". This is a safety feature that prevents the snack vendor from accidentally being placed in the free vend mode.

## VII. KEY 6 - Promotional Vend Pair Programming

### Purpose:

To select which items will be vended free with selected purchases when the Promotional Vend feature is enabled.

### Programming Instructions:

1. Press <6> on the keypad.
2. The display will read "01 PXX FXX".  
*"01" represents the selected pair.*  
*"PXX" refers to the purchased selection.*  
*"FXX" refers to the item that will be vended free.*
3. Press <1> to increment the purchase selection.
4. Press <2> to decrement the purchase selection.
5. Press <3> to increment the free selection.
6. Press <4> to decrement the free selection.
7. Press <5> to save the selection and proceed to the next pair of selections.
8. Press <0> to save the last pair entered and return to the root menu.
9. Press <RESET> to ignore the last entered pair and return to the root menu.
10. Repeat steps 1-7 to set up to five pairs.



**NOTE:**

Dip switch #4 on the control board must be ON to enable this feature .

## VIII. KEY 7 - Point-of-Sale Message

### Serial Number

### Machine ID

### Date/Time

### Auto Lockout

### Baud Rate

**Purpose:**

To program the point-of-sale message and the machine's serial and ID numbers.

**Programming Instructions:**

1. Press <7> on the keypad.
2. Press <1> to program the POS Message.  
Press <2> to program the Serial Number.  
Press <3> to program the Machine ID number.  
Press <4> to set the date.  
Press <5> to set the time and the day of the week.  
Press <6> to program the Automatic Lockout Feature.  
Press <7> to set the date format.  
Press <8> to set the printer baud rate.

**A. Programming the POS Message**

1. The display will read "P>\_ A". The 'P>' is the prompt to enter the message. The dash is where the letters will appear as they are placed in the POS message. The 'A' at the right side of the display is the character that will be placed in the message. Programmable characters are: uppercase A-Z, 0-9, space, # and \$.
2. Erase previous message
  - a. Press <9>
  - b. Press <0>
3. Press <7> to return to the POS menu.
4. Press <1> to begin programming message.
5. Use the following keys to program the POS message:
  - <1> Move cursor position to the right.
  - <2> Move cursor position to the left.

- <3> Increment character.
- <4> Decrement character.
- <5> Place character in message.
- <9> First of two keystrokes required to delete to the end of the message.  
The <0> must be pressed to complete this function.
- <0> Save message and exit to root menu.
- <RESET> Exit to the root menu with no changes saved.

6. Press <3> until the column on the right scrolls to the desired letter. Hold the key down to scroll more quickly.
7. Press <5> to enter the letter.
8. Repeat step 6 until the message is complete. Use the other control keys as needed.
9. Press <0> to save the message and return to the root menu.

**B. Programming the Serial Number**

1. Press <7> on the keypad.
2. Press <2> to get to the serial number programming mode.
3. Use the same control keys used to program the POS message.
4. Program the number.
5. Press <0> to save the message and return to the root menu.

**C. Programming the ID Number**

1. Press <7> on the keypad.
2. Press <3> to get to the ID programming mode.
3. Use the same control keys used to program the POS message and the serial number to program the ID number.
4. Program the ID number.
5. Press <0> to save the message and return to the root menu.

**D. Programming the Date**

1. Press <7> on the keypad.
2. Press <4> to get to the date programming mode. The date format will be shown before the date is displayed.
3. Press <1> to increase the MM field.  
Press <2> to decrease the MM field.
4. Press <3> to increase the DD field.  
Press <4> to decrease the DD field.

5. Press <7> to increase the YY field.  
Press <8> to decrease the YY field.
6. When the correct date is showing in the display, press <0> to save and exit the date programming mode.
7. Press <RESET> to exit without saving the new date.

#### E. Programming the Time and Day

1. Press <7> on the keypad.
2. Press <5> to get to the time and day programming mode. The time and day will be displayed as "HH.MM DAY".
3. Press <1> to increase the HH field:  
Press <2> to decrease the HH field.
4. Press <3> to increase the MM field.  
Press <4> to decrease the MM field.
5. Press <7> to increase the DAY field.  
Press <8> to decrease the DAY field.
6. When the correct time and day is showing in the display, press <0> to save and exit the time and day programming mode.
7. Press <RESET> to exit without saving the new date.

#### F. Programming the Lockout Feature

1. Press <7> on the keypad.
2. Press <6> to get to the lockout programming mode. The display will show "PGM X DAY", where 'X' is a number from 0 to 9 and 'DAY' is a specific day of the week, or 'WKDS', indicating work days Monday through Friday, or 'WEEK', indicating every day of the week, or 'OFF,' indicating that this program entry is not used.
3. Press <6> to change the program event number. There are 10 programmable events, numbered 0 to 9.
4. Press <1> or <2> to change the DAY.
5. Press <5> to display the ON time for the program event. The display will show "ON HH.MM", where 'ON' indicates the time 'HH.MM' that the machine will be disabled.
6. Press <1> to increment the hours HH.  
Press <2> to decrement the hours HH.
7. Press <3> to increment the minutes MM.  
Press <4> to decrement the minutes MM.
8. Press <5> to display the OFF time for the

program event. The display will show "OFF HH.MM", where 'OFF' indicates the time 'HH.MM' that the machine will go back into service. Be sure the OFF time is later than the ON time.

9. Follow steps 6 and 7 to set the OFF time.
10. Follow steps 3 through 8 to set up other programmed lockout days and times.
11. Press <7> to set the displayed event OFF and to reset the ON and OFF times to '00.00'.
12. Press <RESET> to exit the lockout programming mode. All settings are automatically saved as they are made.

#### G. Setting the Date Format

1. Press <7> on the keypad.
2. Press <7> again to get to the date format mode.
3. Press <1> to toggle the date format between MM/DD/YY and DD/MM/YY.
4. Press <0> to save the new date format and exit.
5. Press <RESET> to exit the date format mode without saving any changes.

#### H. Programming the Printer Baud Rate

1. Press <7> on the keypad.
2. Press <8> to get to the baud rate mode.
3. Press <1> to change the baud rate.
4. Press <0> to save the new baud rate and exit.
5. Press <RESET> to exit the baud rate mode without saving any changes.

## IX. KEY 8 - MIS Display and Printer Communications

#### Purpose:

To retrieve MIS information. The controller will attempt to send MIS information to the printer. If there is not a printer present or powered-up, the controller will display the information, line by line, on the customer display.

#### Programming Instructions:

1. Press <8> on the keypad. If the printer is present, all the information will be printed; proceed to step 5. If the printer is not present, follow the steps below to display the MIS data on the message center.

2. Response will be "SERIAL NUMBER" (the first line of MIS data).
3. Press <0> to proceed to the next line of MIS data.
4. Repeat step three until you reach the end of the MIS data. The last line will prompt the operator, "CLR MIS N".
5. Press <1> to toggle Y/N.
6. Press <RESET> at any time to return to the root menu.

## X. Key 9 - Security Code Programming

### Purpose:

To protect specific menus from unauthorized access. If the security feature is enabled, the operator must select which menus are protected by the security feature. Menus that are protected by the security feature will only be available if the Service Mode is accessed by entering the security code on the keypad. Menus that are not protected by the security feature will be accessible when the service mode is accessed by pressing the "MODE" button on the controller.

### Programming Instructions:

1. Press <9> on the keypad.
2. Response will be "ENTER CODE".
3. Enter a four digit security code.
4. The code number will flash four times.
5. The display will read "SECURE OFF/ON".
6. Press <1> to toggle Off/On.
7. Press <5> to step through each menu.
8. Press <1> to toggle Off/On.

### NOTE:

This feature must be set to ON to prevent unauthorized access or code changes. Menu 9 must also be set to ON.

9. Press <0> to save the new security status and return to the root menu.
10. Press <RESET> to exit this function without saving.

## XI. KEY 0 - Motor Count and Test Vend

### Purpose:

To test all of the motors in the machine to make sure they are working. There are three options available in this menu. Key 1 is motor count. Key 2 is the individual test vend option. Key 3 will test all the motors in the machine.

### Programming Instructions:

#### A. Motor Count

1. Press <0> to get to the motor function menu.
2. The display will read "MTR FUNCT?".
3. Press <1> to run motor count display.
4. Display will be "XX". *XX represents the number of motors detected.*
5. The display will return to "MTR FUNCT?".

#### B. Test Vend Individual Motors

1. Press <0> on the keypad.
2. Display will read "MTR FUNCT?".
3. Press <2> on the keypad.
4. Display will read "SELECTION".
5. Enter 2 digit selection.
6. Display will read "AA XX.XX".  
*AA = Selection Number.*  
*XX.XX = Selection Price.*
7. The machine will test vend selection.
8. The display will read "MOTOR FUNCTION?" after the individual test vend is completed.

#### C. Test Vend All Motors

1. Press <0> on the keypad.
2. Display will read "MTR FUNCT?".
3. Press <3> on the keypad.
4. The machine will test vend all connected motors in a shelf by shelf order.
5. Display will read "VEND XX".  
*XX represents total motors vended.*
6. The display returns to "MTR FUNCT?".

# Section 4

## Table of Contents

Troubleshooting Procedures	4-2
Locating and Replacing Defective Motors	4-2
Refrigeration System	4-3
Refrigeration System Wiring Diagram	4-4
Troubleshooting Charts	
Error Messages	4-5
Problem/Solution	4-6
Bill Acceptor	4-9
Interconnect Block Wiring Diagram	4-11
15 Pin Coin Mech Socket	4-12

# Section 4

# Troubleshooting

## INTRODUCTION

This section contains Troubleshooting Charts, a Block Wiring Diagram, and an Interconnect Block Diagram. The first chart lists the error messages that may be displayed while in the diagnostic mode. The second lists possible problems and suggested solutions.

### Clear Errors

Diagnostic error messages are cleared by pressing <RESET> while in the diagnostic mode. Following a diagnostic reset, "NO ERRORS" will be displayed for 1 second. *Clearing errors does not correct the problems indicated by the error messages, it only removes the message from the machine's memory.*

### Price Checksum

A checksum is made on the selection price before attempting a vend. If an error occurs with the price, the selection is flagged as being bad and "SELECT OTHER ITEM" is displayed. The selection will also be marked as "CHK PRICES=" in the diagnostic mode. Error messages will be displayed after all "CHK PRICES."

## TROUBLESHOOTING PROCEDURES

It is important to troubleshoot logically. Many malfunctions are caused by minor defects such as loose connections or dirty contacts. Ensure that the vendor is connected to a good power source and follow the checklist at right before replacing any parts.

### Voltage and Polarity Check

With a voltmeter, check for proper voltage, polarity and good ground using the following example:



## Check List

- Check circuit breakers. These are located on the Transformer Box assembly at the bottom left hand side of the cabinet.
- Check to ensure that the Main power switch is ON - located directly above the Transformer Box.
- Check to ensure that all plugs are firmly seated in their receptacles.
- Check to ensure that connector pins are not bent, broken or pushed through the back of the connector or receptacle when mated.
- Check to ensure that wires are not broken at connector pins.

### Locating and Replacing Defective Motors

1. Open the main door and check the display for "OVER CRNT=" or "HOME FAIL=" errors.
2. Record all the selection numbers that follow these error messages.
3. Check all disabled selection helixes for improper loading, jams, etc.
4. Run a single selection motor test on each disabled selection by following the instructions in Motor Count and Test Vend on page 3-10.
5. If the motor fails to operate, first check applicable wires and connectors to the motor. Second, replace defective motor assembly as follows:
  - a. Remove helix.
  - b. Insert hub removal tool (593-902) and pull hub off.
  - c. Compress motor retaining tabs and remove motor.

6. Run a test vend on repaired selections.
7. After all repairs are made, press <RESET> while viewing the error messages to clear all faults.

**REFRIGERATION SYSTEM (OPTIONAL)**

If the refrigeration system compressor is inoperative, perform the following checks before replacing the unit. Be sure to hold the Refrigeration Interlock Switch closed when making the operational checks.

1. Measure the line voltage. If it is below 105 volts, the compressor may fail to start or it may run hot.
2. If line voltage is correct, check automatic control thermostat operation by connecting a jumper wire across the terminal with power disconnected.
3. The Start Capacitor, Run Capacitor, and Start Relay are best tested by substituting them with known good components. This way there can be no doubt of test results.
4. Check Thermal Overload for continuity.
5. With motor leads disconnected from circuits, check compressor motor windings with Volt/Ohm meter set on R x 1 scale.  
(Readings ± 10%)  
Common to Start ..... 32 Ohms  
Common to Run ..... 7 Ohms  
Start to Run ..... 38 Ohms\*  
\* Measured at ambient room temperature.
6. Check for grounded winding with Volt/Ohm meter from Start Capacitor to metal casing and Run Capacitor to metal casing. There should be no continuity. If there is, replace the compressor.

**Compressor Circuit**

The Compressor circuit in the 595 Air Cooled unit is a Permanent Split Capacitor Start Motor. This utilizes a single Start Capacitor with a value of 53/64 µFD. There is a Start Relay Mounted on the Compressor; this is a Current Type Relay. When the Current in the Run Winding is above a certain level, the Coil energizes. When the Coil energizes, the normally open contact closes, connecting the

Start Capacitor to the Start Winding of the motor. The Start Relay @ Start Capacitor circuit causes a high starting torque to accelerate the Compressor Rotor Shaft to full speed. When the Compressor Rotor Shaft is at its running speed, the current through the Run Winding will drop to the normal Run Current, allowing the Coil of the Start Relay to de-energize. When the Coil de-energizes, the contact will open and break the Starting Circuit. The motor will continue to run via the current through the Run Winding. If the Run Winding current rises (i.e., the motor stops or stalls), the Start Relay Coil will again energize and the cycle above repeats itself.

**Refrigeration Removal Instructions**

1. Unplug the Snack/Candy vendor from wall.
2. Unplug the Refrigeration Unit.
3. Remove the four (4) screws securing the Door switch Bracket. Remove the wires from the switch.
4. Remove the Cash Box.
5. Remove the two (2) square Phillips screws securing the Cash Box Bracket.
6. Remove the four (4) screws holding the Stop Rod Bracket. Swing the Stop Rod out of way.
7. Remove the five (5) square Phillips screws securing the Condenser Intake Cover.
8. Remove the four (4) square Phillips screws securing the Screen.
9. Remove the two (2) screws securing the Refrigeration Unit hold-down bracket into the Base.
10. Remove the bottom shelf.
11. Reach into access hole in the deck and with two fingers, unscrew the Transition Duct to Refrigeration thumb screw.
12. The refrigeration unit is now ready to be removed.
13. To install, reverse the above procedures.

# REFRIGERATION SYSTEM WIRING DIAGRAM

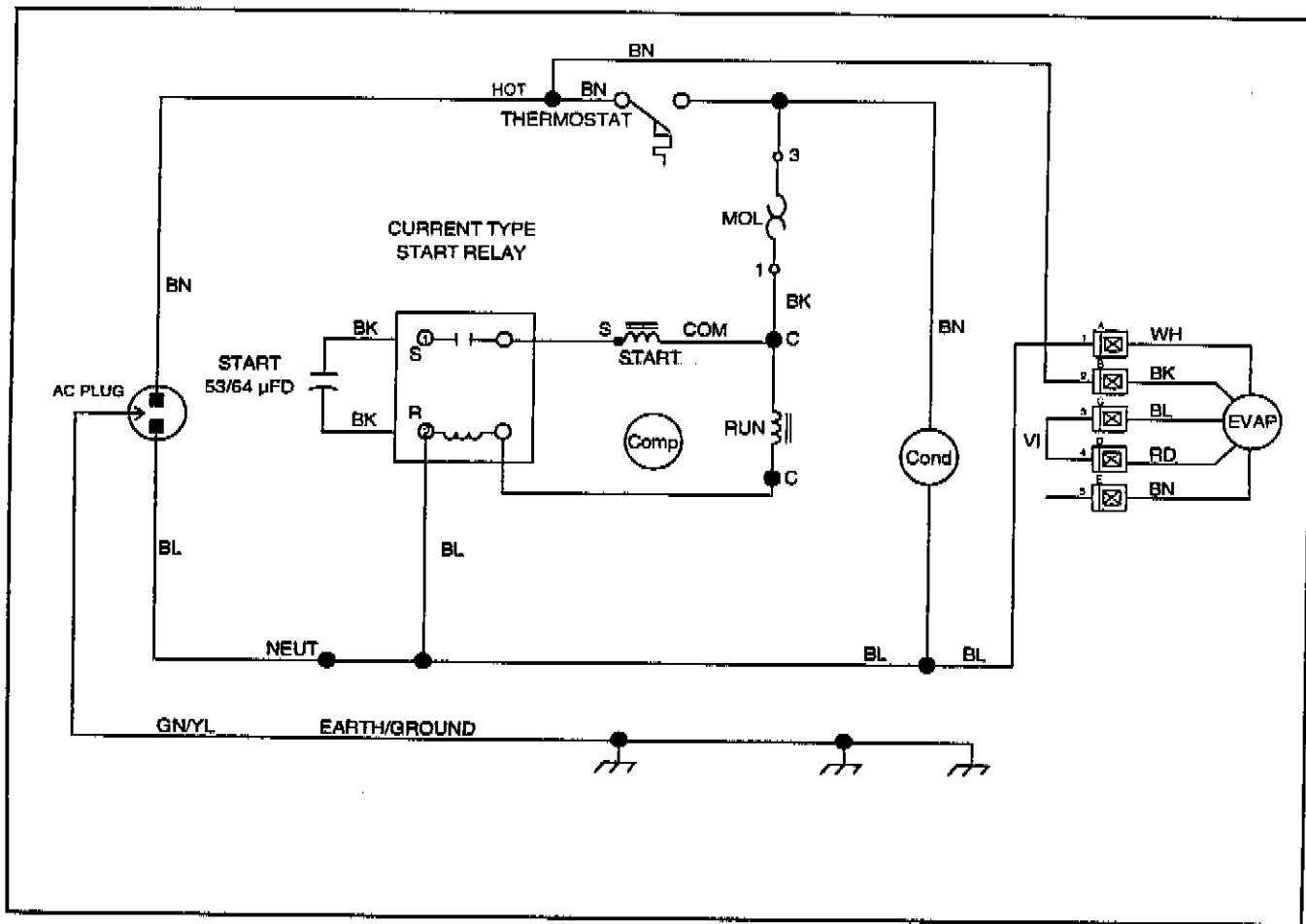


Figure 4-1. Refrigeration System Wiring Diagram

## CAUTION !

Protective eye wear must be worn when testing refrigeration systems. This system is charged with 14 oz. of R-12 refrigerant. Repairs should be performed by technicians trained and experienced in refrigeration troubleshooting and safety procedures.

## Troubleshooting Chart 4-1 Error Messages

ERROR MESSAGE	PROBABLE CAUSE	SOLUTION
"OVER CRNT="	Shorted or jammed motor	Follow instructions on page 4-3 for locating and replacing defective motors.
"HOME FAIL="	Motor did not complete full rotation or leave the home position	Follow instructions on page 4-3 for locating and replacing defective motors.
"COIN JAM"	Coin jammed in coin mech	Clear jammed coin
"BAD SENSOR"	Defective Coin Mech level sensor	Replace
"CHGR PWRUP"	Coin mech not sending power-up message	Check that coin mech is connected Check Peripheral Configuration
	Defective Coin Mech	Replace
"CARD PWRUP"	Card reader not sending power-up message	Check that card reader is connected Check Peripheral Configuration
	Defective Card Reader	Replace
"LNK PWRUP"	European Executive Coin Mech not sending power-up message	Check that Executive Mech is connected Check Peripheral Configuration
	Defective Executive Coin Mech	Replace
"BILL ERROR"	Faulty credit messages from Bill Acceptor	Check BA connection
	Defective Bill Acceptor	Check Peripheral Configuration Replace
"MACHINE OUT OF ORDER" shows on display when door closed	Valid start-up message not received from configured peripheral	Check for error message and follow steps in the troubleshooting chart for that error message.
		Check Peripheral Configuration.
"CHK PRICES="	Selection contains corrupted price.	Reprice selection.
	EPROM Version -5 will scan all vend motors continuously even while in the service mode. When a shelf is pulled out, those selections will display as "CHK PRICES="	Reinstall shelf.



## Troubleshooting Chart 4-2 Problem/Solution

PROBLEM	PROBABLE CAUSE	SOLUTION
No Indicator lights in machine	No AC power into machine	Check P1 of Controller 24 VAC @ pins 1 and 2 120 VAC @ pins 4 and 6 Check circuit breaker in transformer assembly.
Display does not light	No power to display	Check +5 VDC at display @ pins 12 to 14  Check +24 VDC at display @ pins 11 to 12
No Display	Loose or defective Harness	Check that P6 of Controller is seated
Does not accept coins	Coin Mech not reset or not receiving coin acceptance signal	Check connection @ P6 on Controller and P1 on Display  Check that Accept Enable is low @ pins 6 to 2 on Coin Mech Socket  Check +5 VDC @ pin 1 to 2 at Coin Mech Socket  Check +120 VPDC @ pin 10 to 12 at Coin Mech Socket  Check +24 VPDC @ pin 13 to 15 at Coin Mech Socket
	<b>Check Coin Mech Manufacturer's Instructions</b>	
	Machine not level	Clear coin track
	Defective Coin Mech	Level cabinet
Does not accept bills	Bill Acceptor not receiving bill acceptance signal	Replace  Insufficient change in coin tubes Check Coin Mech tube amounts in program Mode 1  Check peripheral configuration.  Check for Accept Enable held low @ P4 pins 1 to 7 on Controller  Check power to Bill Validator 120 VAC @ AC connector
	Credit message not received from	Check +5 VDC @ P4 pins 4 to 7 on Controller

### Troubleshooting Chart 4-2 Problem/Solution

PROBLEM	PROBABLE CAUSE	SOLUTION
Does not register credit	Coin Mech	Check for continuity between P2 pin 2 of controller and pin 6 of Coin Mech Socket
	Coin Mech defective	Replace
	Credit pulse not received from Bill Validator	Check for continuity between: Controller P4      UBA P3 pin 5                  pin 5 pin 6                  pin 6 & 8
	Defective Bill Validator	Replace
Does not give change	Controller defective	Replace
	No change in Coin Mech	Reload Coin Mech
	Dispense lines to Coin Mech disconnected	Check for continuity between: Controller P2      Coin Mech Socket
	(Domestic Version)	pin 4                  pin 8 pin 5                  pin 7 pin 6                  pin 9 pin 9                  pin 14
Incorrect change dispensed	Defective Coin Mech	
	Vend prices not set to match label	Replace
	Defective Coin Mech	Reprice selector or change label
	Defective Controller	Replace
	Dispense lines to Coin Mech disconnected	Replace
Gum and Mint jamming or double vending	(Domestic Version)	Check for continuity between: Controller P2      Coin Mech Socket
		pin 4                  pin 8 pin 5                  pin 7 pin 6                  pin 9 pin 9                  pin 14
	Flap Guides out of adjustment	Adjust Flap Guides
Selection motor cycles continuously	Excess space causing Gum and Mint to shift left or right	Insert right and left rack product guides to fill space (Kit P/N 593-6007)
	Defective full cycle switch	Remove power, check switch and replace motor if defective
Two motors run simultaneously	Defective Controller	Replace
	Defective components in motor circuit	Locate and replace defective

## Troubleshooting Chart 4-2 (Problem/Solution)

PROBLEM	PROBABLE CAUSE	SOLUTION
Two motors run simultaneously	Defective Controller	Replace
	Pinched or shorted wires in wire harness	Repair or replace wire harness.
Fluorescent light does not light	Defective lights or starter	Replace
Cannot buy from row 4	No sale switch ON	Set switch to OFF
	Controller P9 pin 1 and 2 shorted	Replace Controller
Fan does not run	Defective harness	Check for 120 VAC @ fan connector
	Defective fan	Replace
Display always shows "SYSTEM	Defective door switch	Replace
	Door switch not activated when the door is closed	Adjust switch bracket until activation occurs

### Troubleshooting Chart 4-3 Bill Acceptor

ERROR MESSAGE	PROBABLE CAUSE	SOLUTION
Bill Acceptor rejects a large number of valid bills. The BA STATUS LED will flash one or more times to indicate the cause of the reject.	BA STATUS LED flashes once after rejecting Bill.	Defective V1 or V4 cell. Defective UBA Unit.
	BA STATUS LED flashes twice or three times after rejecting Bill.	Twice indicates a defective V2 cell.  Three times indicates a defective V3 cell or an object lodged in the transport.
	BA STATUS LED flashes four times after rejecting Bill.	Object lodged in Transport. Binding Anti-pull back lever. Defective lower harness and cell assembly. Defective UBA Unit.
	BA STATUS LED flashes five times after rejecting Bill.	Defective magnetic head or Transport. Defective UBA Unit.
	BA STATUS LED flashes six times after rejecting Bill.	Bill denomination has not been enabled
Transport motor does not start when a bill is inserted.	BA STATUS LED flashes eight times after rejecting Bill.	UBA was commanded to return the bill held in escrow.
	Power LED on UBA Unit not lit.	Problem in Power Supply. Defective harness to UBA Unit.
	Transport does not start, but clicking sound is heard in UBA Unit.	Object jammed in Transport. Defective UBA Unit.
	No sound or any other indication that Transport is trying to run.	Defective V1 cell. Defective UBA Unit.
Bills jam frequently.	BA STATUS LED is blinking.	Defective Main Controller. UBA is not operational due to a "Fault" condition (See "UBA in shutdown").
	Any bill transporting failure.	Anti-pull back lever not operating freely. Bill pressure roller binding. Transport inlet or track surfaces contain projections, rough spots or dirt. Transport belts out of adjustment or dirty. Transport belts not centered on rollers. Transport upper input roller does not move up and down freely. Defective Power Supply.

### Troubleshooting Chart 4-3 Bill Acceptor

PROBLEM	PROBABLE CAUSE	SOLUTION
<b>UBA in SHUTDOWN</b> In this state, the BA Status LED will flash ON for 1 second and then flash one or more times. The number of flashes indicates the cause of the shutdown.	BA STATUS LED flashes once.	Object in Transport covering V1 cell. Defective UBA Unit.
	BA STATUS LED flashes 3 times.	Object covering V3 cell. Defective lower harness and cell assembly. Defective UBA unit.
	BA STATUS LED flashes 4 times.	Object in Transport Unit activating anti-pull back lever. Defective lower harness and cell assembly.
	BA STATUS LED flashes 5 times.	Defective UBA Unit.
	BA STATUS LED flashes 7 times.	Bill Box full. Bill Box jammed in "off home" position. Bill Box home switch out of adjustment. Defective Bill Box.
		Defective UBA Unit.
	Motor speed could not be adjusted. Incorrect belt tension. Defective drive motor. Defective UBA Unit.	

## Interconnect Block Diagram

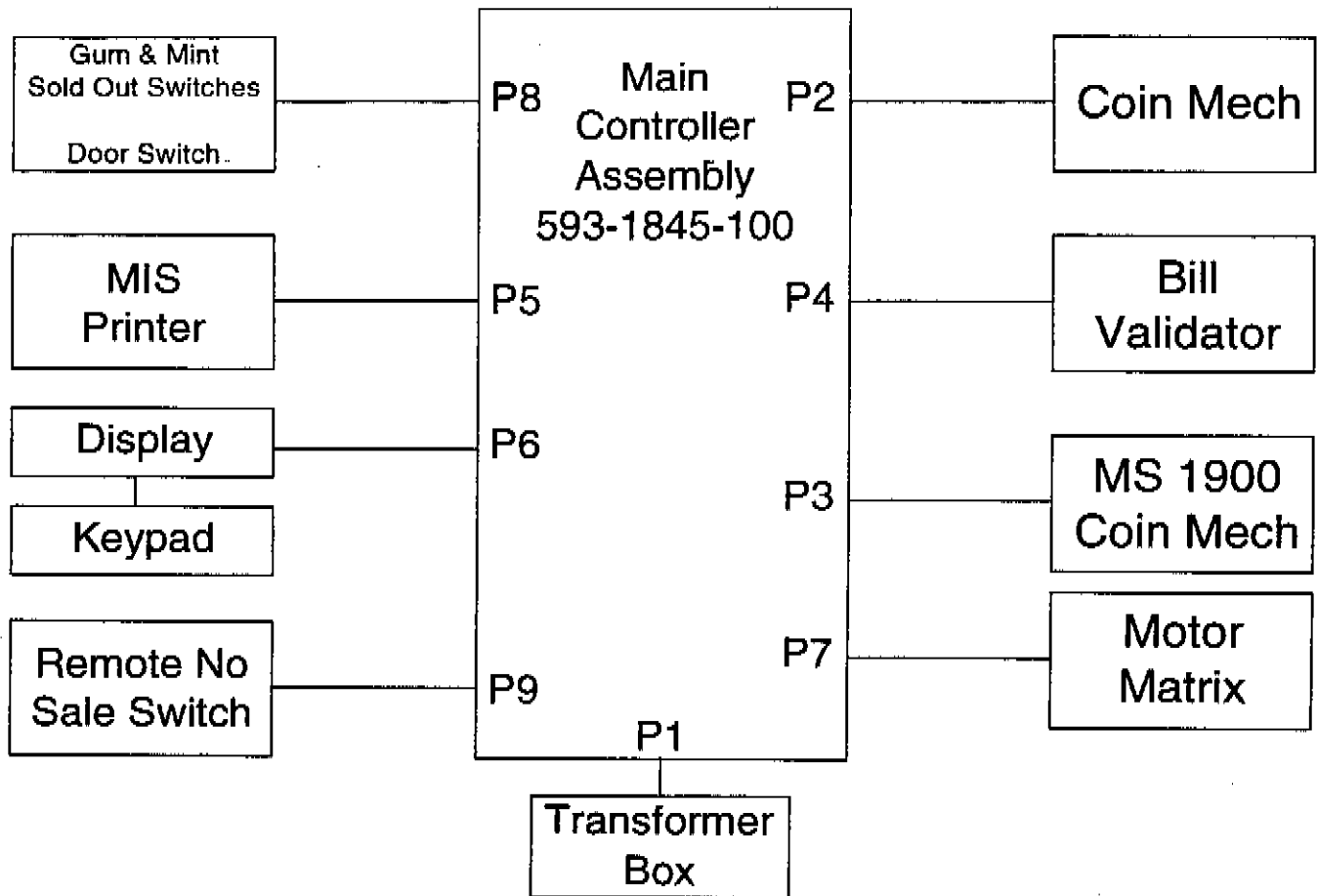


Figure 4-2. Block Diagram

## 15 Pin Coin Mech Socket

### Coin Mechanisms

#### 120V Models - 12 Pin

MARS TRC-6000  
COINCO 9300L

#### 24V Models - 15 Pin ONLY

MARS TRC-6010-XV  
COINCO 9302LF  
MAKA USPX

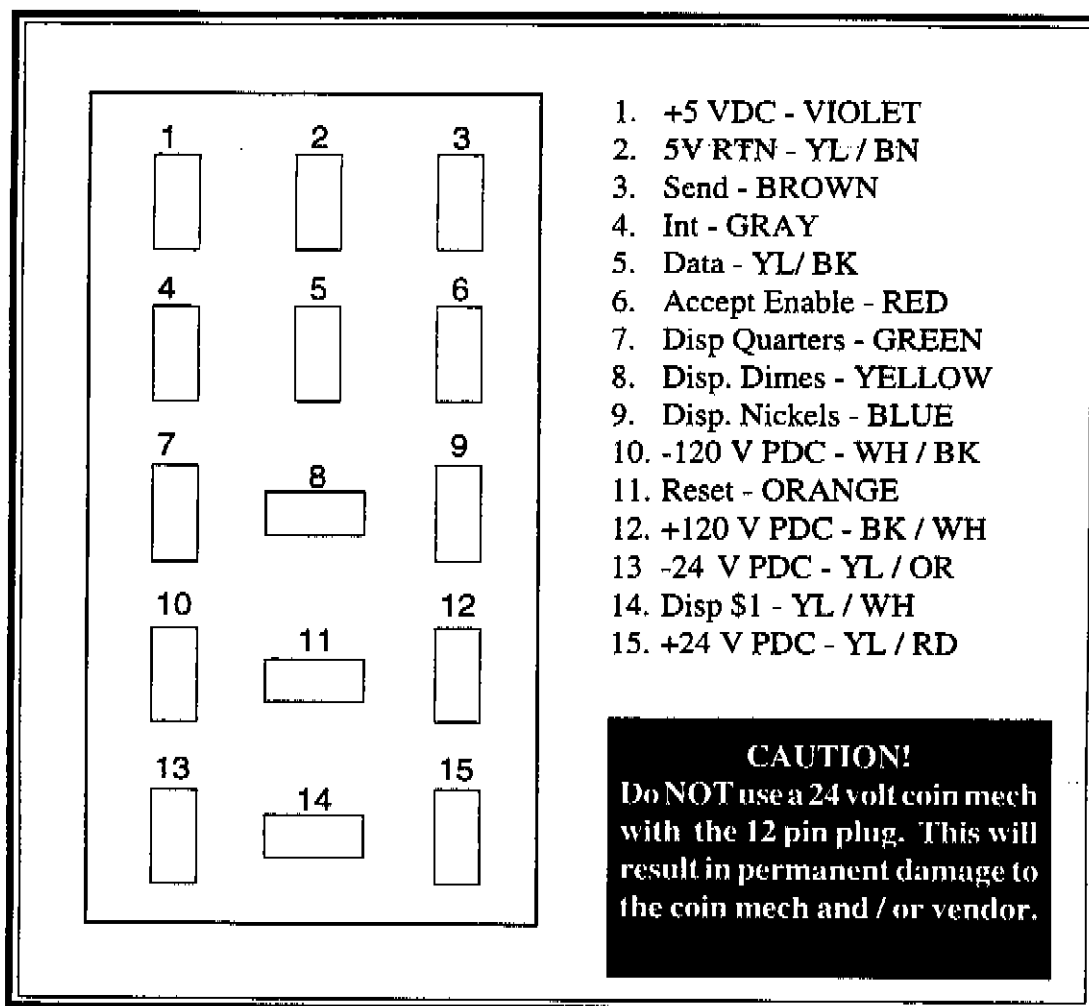


Figure 4-3. Coin Mech Socket