

Diversified 2001

Royal Vendors is dedicated to providing
the highest level of customer service in the industry.



ROYAL VENDORS, INC
201 Industrial Boulevard
Kearneysville, WV 25430

Customer Service:
1 . 8 0 0 . 9 3 1 . 9 2 1 4
3 0 4 . 7 2 8 . 7 0 5 6

Volts / Hz	Countries	Code
240-50	UNITED KINGDOM	UK
110-60	CANADA	CA
220-50	FRANCE	FR
220-50	BELGIUM	BE
220-50	HOLLAND	NE
220-50	ITALY	IT
220-50	ISRAEL	IS
240-50	AUSTRALIA	AU
220-50	JAMAICA	JA
220-50	SOUTH AFRICA	SF
220-50	INDIA	II
220-50	IRELAND	IR
220-50	SPAIN	SP
220-50	PARAGUAY	PR
110-60	MEXICO	MX
220-60 / 110-60	BRAZIL	BR
220-50	CURACO	CU
220-50	CZECH REPUBLIC	CZ
220-50	DENMARK	DM
110-60	DOMINICAN REPUBLIC	DO
220-50	FINLAND	FL
220-50	GERMANY	GE
240-50	MALAYSIA	ML
240-50	N. IRELAND	NI
220-50	NORWAY	NO
220-60	PERU	PE
110-60	PANAMA	PN
220-50	SWEDEN	SW
110-60	VENEZUELA	VZ
220-50	CHILE	CI
220-50	ARGENTINA	AA

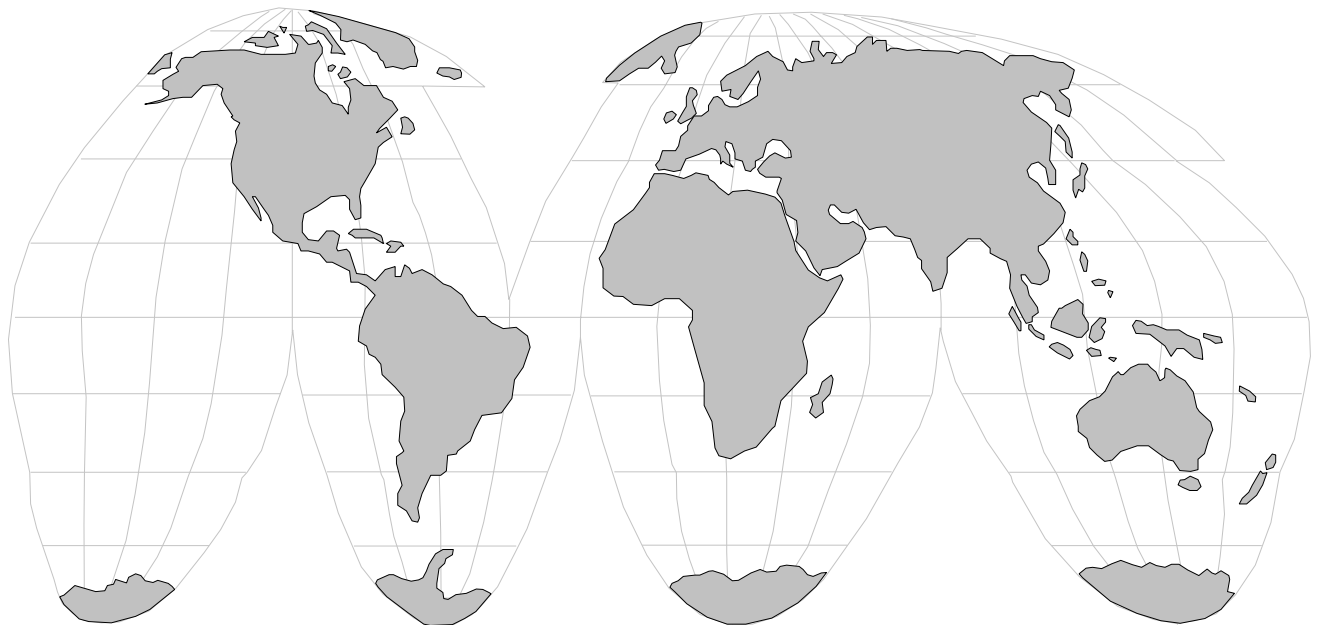
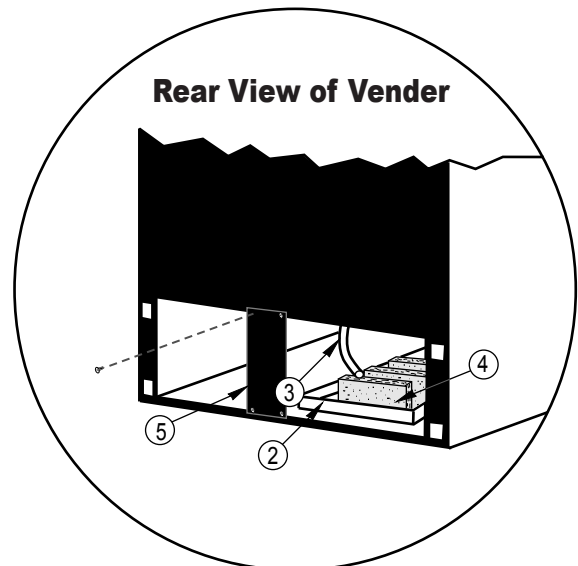
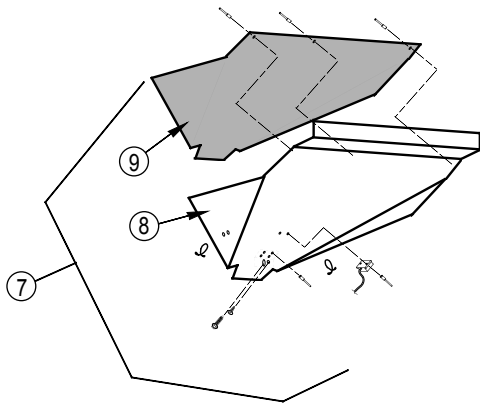
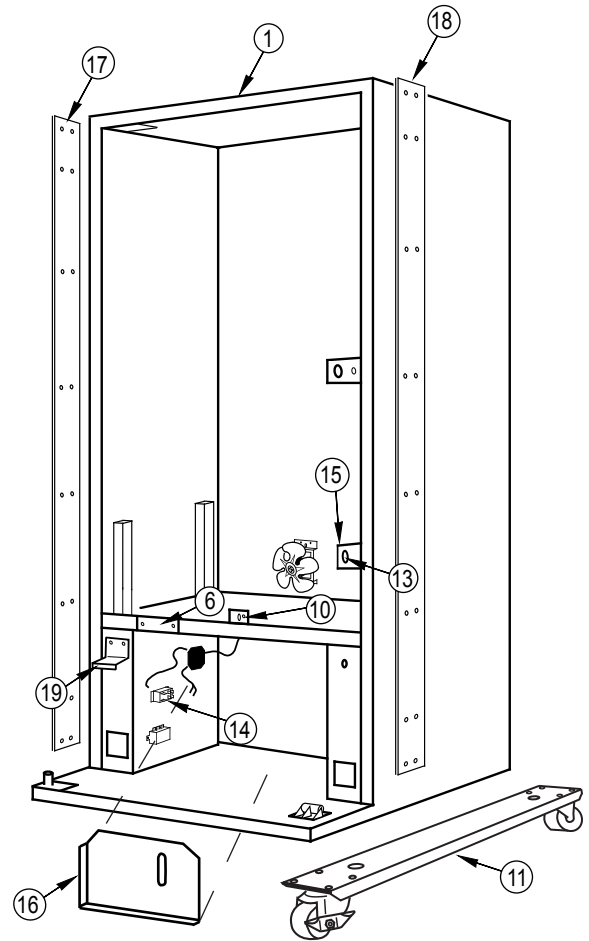
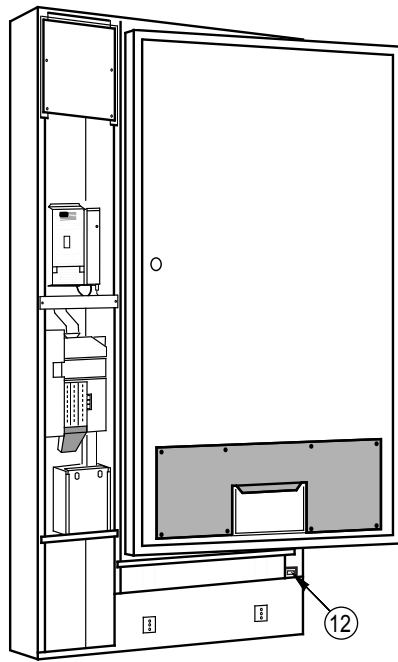


Table of Contents

Cabinet.....	1
Hinge, Lifter, & T-Handle Assembly	3
Vend Mechanism Assembly	5
Evaporator Fan	8
Refrigeration	10
Door Assembly, Front	12
Door Assembly, Rear	14
Changer	17
Port.....	19
Vandal Resistant Door, Rear	21
Select Panel Assembly, Front	23
Inner Door.....	25
Flat Horizontal Display, Door Front	27
Flat Horizontal Display, Door Rear	29
Door Assembly Front, Dr Pepper Vision 4.....	31
Door Assembly Rear, Dr Pepper Vision 4.....	33
Coin Insert Assembly Front, Dr Pepper Vision 4	35
Coin Insert Rear & Button Panel Assembly, Dr Pepper Vision 4.....	37
Electrical Connectors.....	39
Labels & Decals	39
Manuals	40
Paint	40
Screws, Bolts, Washers, Etc.	40
Shims	41
Locks and Keys	42
Wiring Harnesses	42
Control Boards / Chips	43
Electronic Accessories	44
Lock Covers	44
Changer Accessories.....	44
Kits and Assemblies	44
Stack Accessories.....	44

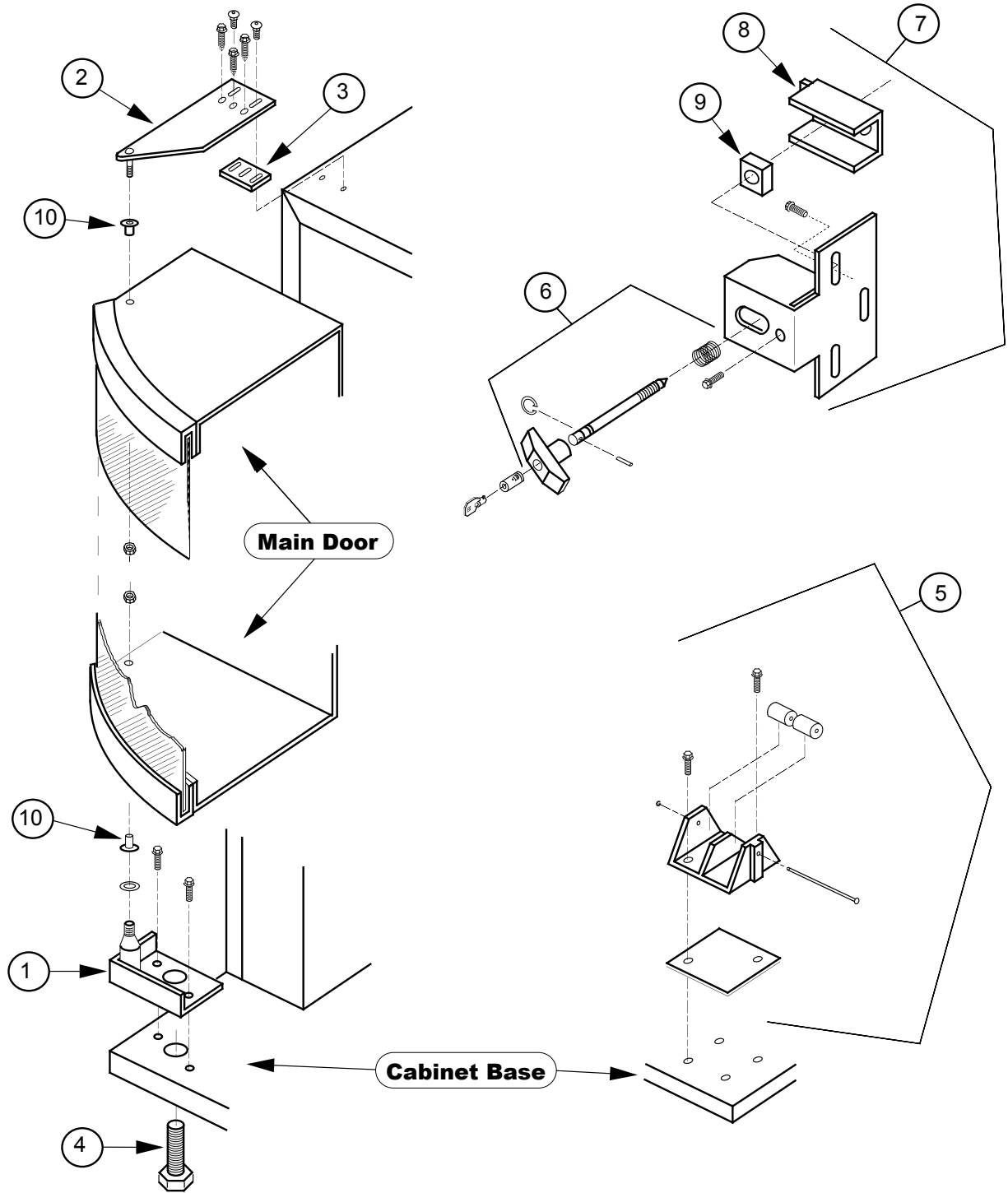
Cabinet



Cabinet

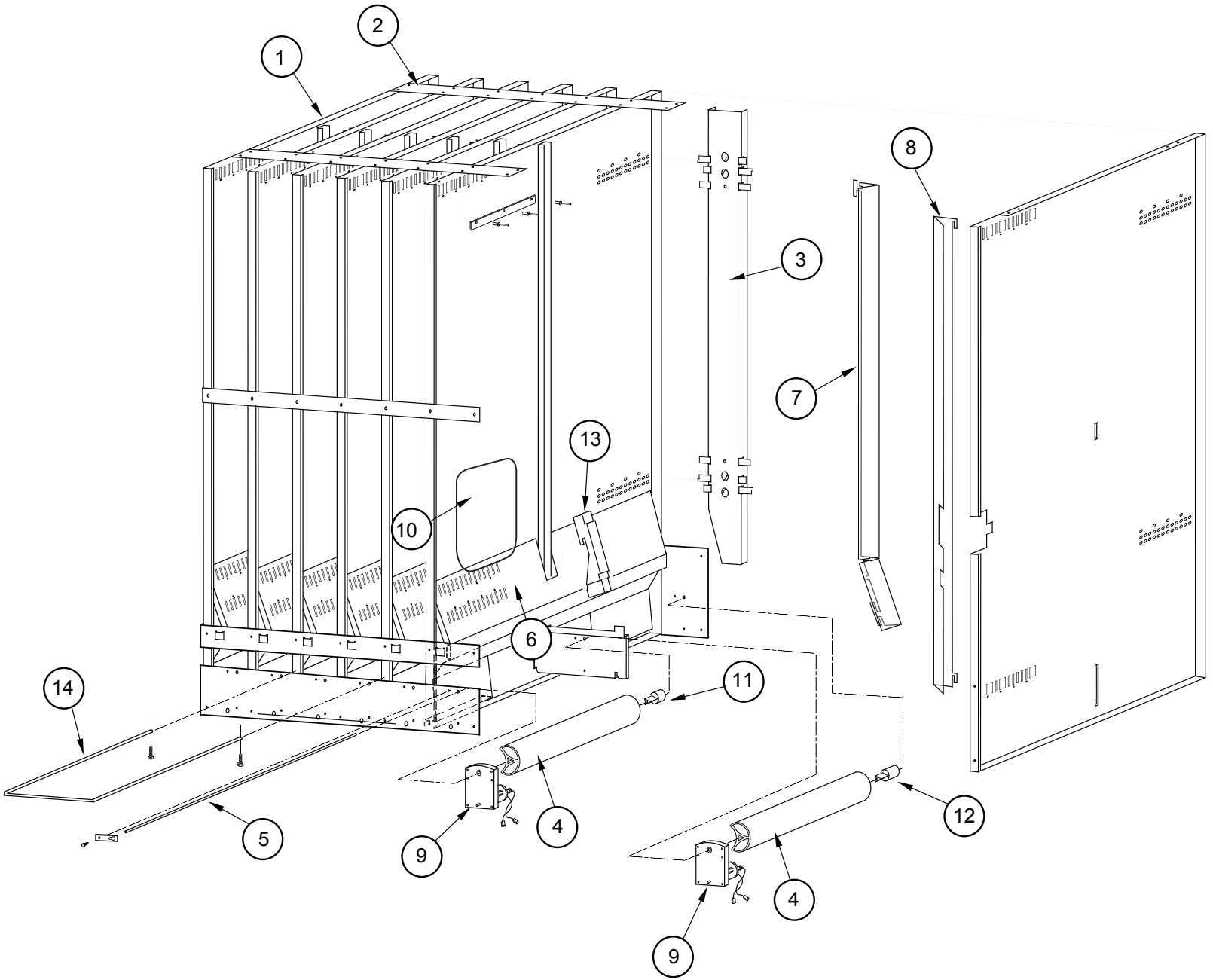
Item #	Part Name	Part Description	Code/Voltage	Part #
	CABINET SHELL (FOAMED)	72" WV MERLIN 4		257220
	CABINET SHELL (FOAMED)	72" WIDE 2-DEEP (IDENTIFY COLOR)		011220
	CABINET SHELL (FOAMED)	72" 3-DEEP (IDENTIFY COLOR)		059210
	DRAIN TUBE ASSEMBLY	ALL VENDORS		141120
2	CONDENSATE PAN			815368
	LARGE DRAIN PAN	FOR A LARGER CONDENSATION PAN		011139
3	DRAIN HOSE	USE ALONG WITH DRAIN TUBE		916013
4	CELLULOSE SPONGE	FOR DRAIN PAN		815037
5	REAR BAFFLE	WIDE VENDORS		010188
	BACK SCREEN	WIDE		141001
6	WIRING COVER PLATE	LOCATED LEFT SIDE OF TANK		010002
	THERMOSTAT BRACKET W/A	ALL EXCEPT MERLIN III		010020
7	CAN CHUTE ASSY	WV MIV LESS SENSOR		256070
	WIDE CAN CHUTE ASSEMBLY	2 DEEP MERLIN & REG LESS SENSOR		010060
	WIDE CAN CHUTE ASSEMBLY	3 DEEP MERLIN & REG LESS SENSOR		058020
	NARROW CAN CHUTE ASSEMBLY	2 DEEP MERLIN & REG LESS SENSOR		036010
	CAN CHUTE	NARROW MERLIN 4		258001
8	CAN CHUTE	WIDE MERLIN 4		256005
9	CAN CHUTE LINER	NARROW MERLIN 4		815270
	CAN CHUTE LINER	WIDE		010021
	CAN CHUTE LINER	WIDE MERLIN 4		815262
10	CAN CHUTE TIE BRACKET	ON CABINET		010017
	CAN CHUTE BRACKET	ON CHUTE (UNIVERSAL)		141014
11	HEAVY DUTY CASTER ASSY	2-DEEP		011180
	HEAVY DUTY CASTER ASSY	3-DEEP		058160
	HEAVY DUTY CASTER ASSY	3-DEEP+		201181
	HEAVY DUTY CASTER ASSY	MIV		256130
12	DOOR SWITCH	DOOR SWITCH--RUN 1521 & AFTER		835019
13	DOOR SWITCH	DOOR SWITCH--PRIOR TO RUN1521		835003
	FILTER ASSY	PO# 1079 OR BEFORE		011123
	FILTER ASSY	PO# 1080 OR AFTER		011124
14	RELAY	24 VOLT		836065
	RELAY CONVERSION KIT	MERLIN III		147508
15	DOOR SWITCH BRACKET	FOR MOUNTING DOOR SWITCH		010045
	DOOR SWITCH BRACKET	MERLIN 4		256002
16	CONDENSOR BAFFLE			010403
17	LEFT VANDAL PANEL	72" (SPEC. COLOR)RUN 1302 & BEFORE		011001
	LEFT VANDAL PANEL	79" (SPEC. COLOR)RUN 1302 & BEFORE		010022
18	RIGHT CABINET VANDAL PANEL	72" (IDENTIFY COLOR)		011002
	RIGHT CABINET VANDAL PANEL	79 1/2" (IDENTIFY COLOR)		012122
19	DOOR SWITCH ACTIVATOR			231009

Hinge, Lifter, & T-Handle Assembly



Hinge, Lifter, T-Handle Assemblies

Item #	Part Name	Part Description	Code/Voltage	Part #
1	BOTTOM HINGE ASSY.	MAIN DOOR		010040
2	TOP HINGE	LEFT OF MAIN DOOR		810002
3	TOP HINGE SPACER	DOOR		010016
4	LEVELING LEG	#5/8-11		803002
5	DOOR ROLLER KIT	ALL VENDORS		141180
6	T HANDLE ASSEMBLY	ALL		812001
	T-HANDLE ASSEMBLY	ALL VANDAL RESISTANT PC		812176
	T HANDLE BODY	ALL		812134
	T HANDLE STUD	ALL		803006
	T-HANDLE BRACKET	ALL VANDAL RESISTANT PC		011505
	T HANDLE	FLUSH MOUNT FOR ROYAL DISPLAY		812138
	RETAINING RING FOR THE T-HANDLE	C-CLIP		912157
7	LATCH STRIKE ASSY MAIN			010030
	LATCH STRIKE	PC (VRD/CDC)		195509
	LATCH STRIKE	W/A		281002
8	NUT RETAINER	FOR LATCH STRIKE ASSEMBLY		010028
9	SQUARE NUT	1/2-13/T-HANDLE LATCH ASSY.		905005
10	TOP DOOR BUSHING	.438 ID X .556 OD X .38		803003



Vend Mechanism Assembly

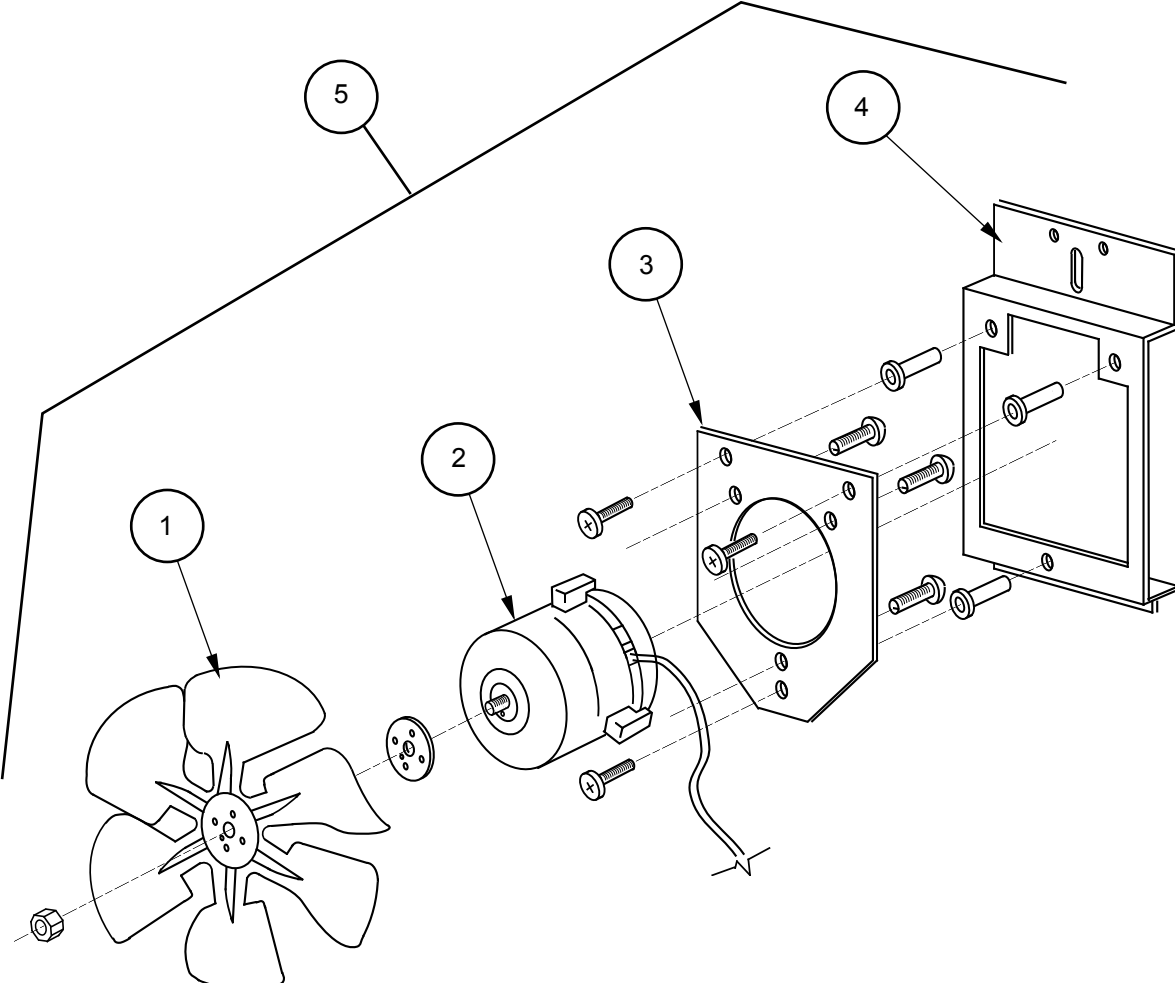
Vend Mechanism Assembly

Item #	Part Name	Part Description	Code/Voltage	Part #
1	VEND MECH. ASSY	12 COLUMN 79"		256710
	VEND MECH. ASSY	12 COLUMN 72"		262720
	VEND MECH. ASSY	10 COLUMN 79"		258710
	VEND MECH. ASSY	10 COLUMN 72"		264710
	VEND MECH. ASSY	552-8 REGULAR/ALL VENDORS		061901
	VEND MECH ASSY	3 D+ 72" 552-7,8 ELECT		157900
3	BACK SPACER ASSY	79"		256730
	BACK SPACER ASSY	72"		257730
	BACK SPACER ASSY	NARROW 79"		010750
	BACK SPACER ASSY	WIDE 79"		010740
	BACK SPACER ASSY	NARROW 79" 3 DEEP		058750
	BACK SPACER ASSY	NARROW 72" 2 DEEP		011730
	BACK SPACER ASSY	WIDE 72" 2 DEEP		011720
	BACK SPACER ASSY	NARROW 72" 3 DEEP		059750
	BACK SPACER ASSY	WIDE 72" 3 DEEP		059730
	BACK SPACER ASSY	79.5" WIDE 16 OZ 3 DEEP (600, 609,630)		201730
	BACK SPACER ASSY	79.5" NARROW 16 OZ 3 DEEP (609)		201710
	BACK SPACER ASSY	72W/3DP 16OZ. 510 W/REG & 16OZ N COL		202730
	NARROW SPACER	10 OZ 3 DEEP		201708
	REAR CAN RETAINER	ANTI-THEFT TAB		810007
	REAR CAN RETAINER	MIV		810054
	BACK SPACER	72" MERLIN 4		257704
	DOUBLE FINGER	USED ON WIDE BACK SPACER		010704
	SINGLE FINGER	16 OZ 3 DEEP		201707
	SINGLE FINGER	USED ON NARROW BACK SPACER		010705
	BACK SPACER	79" MERLIN 4		256713
4	ROTOR	MIV		813012
	PLASTIC ROTOR	MIV		815305
	ROTOR	2-DEEP/NARROW COLUMN		809002
	ROTOR	3-DEEP		809007
	ROTOR	16 OZ 3 DEEP		809022
	ROTOR	16 OZ 3 DEEP+		809026
	ROTOR	3 DEEP+		809027
	FRONT ROTOR	MERLIN IV		256740
	REAR ROTOR	MERLIN IV		256750
	OSCILLATOR	2-DEEP/WIDE COLUMN		809003
	OSCILLATOR	3-DEEP		809008
	OSCILLATOR	3 DEEP+		809025
5	ROTOR ROD	MIV		803035
	ROTOR RETAINER	NARROW MOTORS		815012
6	CAN FUNNEL	MERLIN IV		256712
	BOTTLE FUNNEL	1 LITRE MERLIN IV		256102
	CAN FILLER	FRONT / 1L FUNNEL / MIV		256107
	CAN FILLER	REAR / 1L FUNNEL / MIV		256108
	CAN FILLER - REAR	25 CL / MIV		256112
	LITER KIT MERLIN IV 72"	FOR VENDORS NOT CAPABLE OF1 LITERS		257140
	LITER KIT MERLIN IV 79"	FOR VENDORS NOT CAPABLE OF1 LITERS		256911
7	FRONT PACKAGE RETAINER LEFT	79" MERLIN IV		256716
	FRONT PACKAGE RETAINER LEFT	72" MERLIN IV		257706
8	FRONT PACKAGE RETAINER RIGHT	79" MERLIN IV		256715
	FRONT PACKAGE RETAINER RIGHT	72" MERLIN IV		257705
9	VEND MOTOR ASSY	MERLIN IV, 24VDC, 3D DEEP+		839029
	VEND MOTOR ASSY (HEAVY DUTY)	2-DEEP /72" 3 DEEP NARROW REG		010720
	VEND MOTOR ASSY	2-DEEP WIDE REG		010730
	VEND MOTOR ASSY	WIDE 79" 3-DEEP REG		058710
	VEND MOTOR ASSY	NARROW 72" 3-DEEP REGULAR		059770
	VEND MOTOR ASSY	WIDE 72" 3-DEEP REGULAR		059760
	VEND MOTOR ASSY	2-DEEP /72" 3 DEEP NARROW MERLIN		010770

Vend Mechanism Assembly

Item #	Part Name	Part Description	Code/Voltage	Part #
	VEND MOTOR ASSY	2 DEEP "MERLIN" WIDE COLUMN		010780
	VEND MOTOR ASSY	3 DEEP BOTTLE /79" CAN WIDE MERLIN		058940
	VEND MOTOR ASSY	3 DEEP BOTTLE / 79" CAN NARROW MERLIN		058950
10	ANTI-FRICTION SHEET			915197
11	FRONT ROTOR BEARING	MERLIN IV		915156
12	REAR ROTOR BEARING	MERLIN IV		915222
13	FUNNEL ANGLE / MIV	MIV		256719
	FUNNEL ANGLE / MIV	1PER COL. WHEN SETTING UP 1 LITRE		256105
14	CASE SUPPORT	MERLIN IV		811026

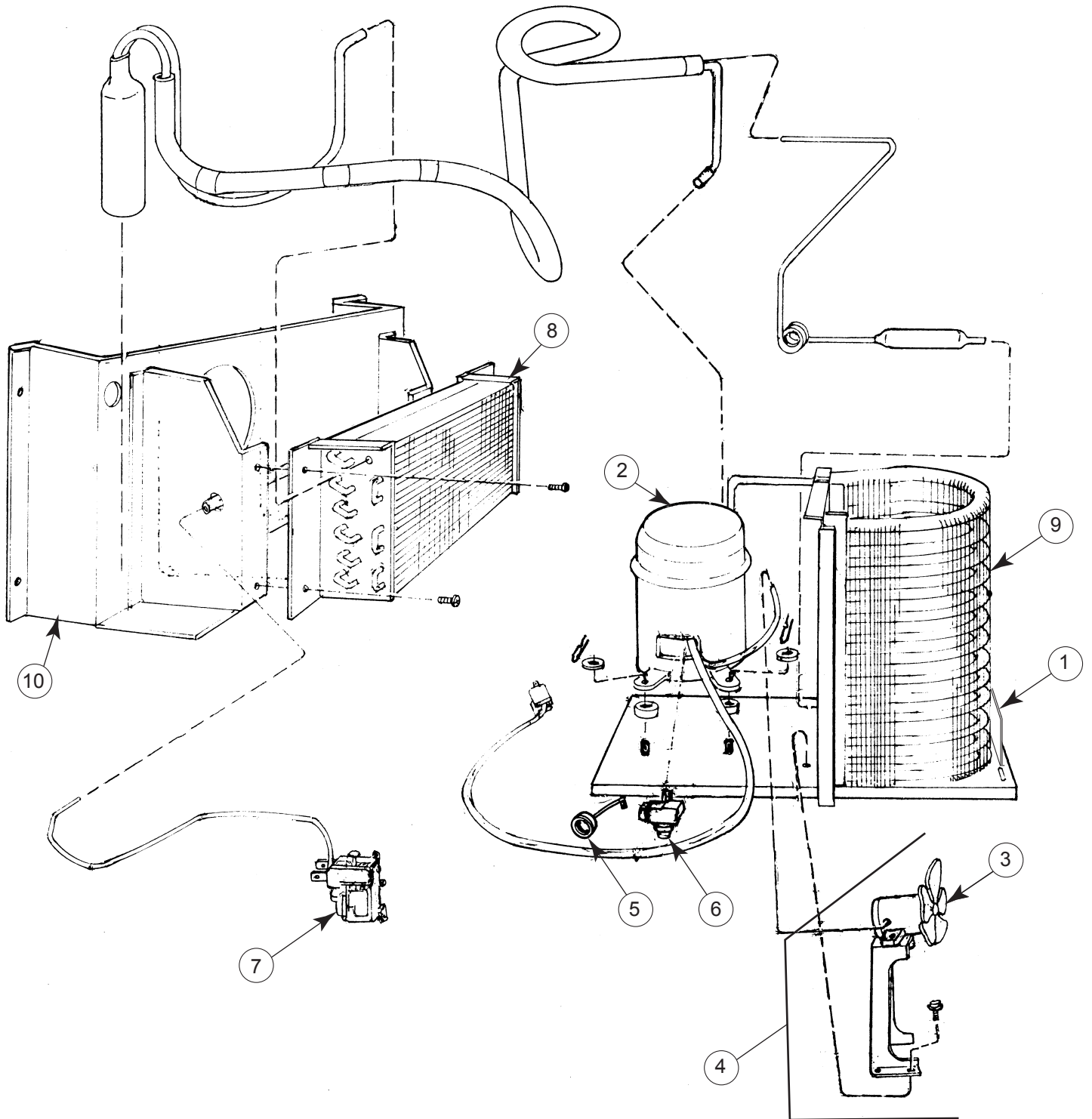
Evaporator Fan



Evaporator Fan

Item #	Part Name	Part Description	Code/Voltage	Part #
1	EVAPORATOR FAN BLADE	8" 6 BLADE FAN		810045
2	EVAPORATOR FAN MOTOR	35 W / 115V		839028
	EVAPORATOR FAN MOTOR	6 WATT		839001
	EVAPORATOR FAN MOTOR	220V / 30" LEADS 25.6 WATTS	220V	839027
3	EVAPORATOR FAN PLATE			010058
4	EVAPORATOR MOUNTING BRACKET			010057
	EVAPORATOR MOUNTING BRACKET	ASSY		010064
	FAN MOTOR BRACKET	EVAPORATOR FAN BRACKET		010006
	EVAP. FAN HOUSING	MERLIN IV EXPORT		231020
5	EVAPORATOR FAN MOTOR ASSY	ALL ITEMS		210400
	EVAPORATOR FAN ASSEMBLY	MOTOR AND BLADE		010050

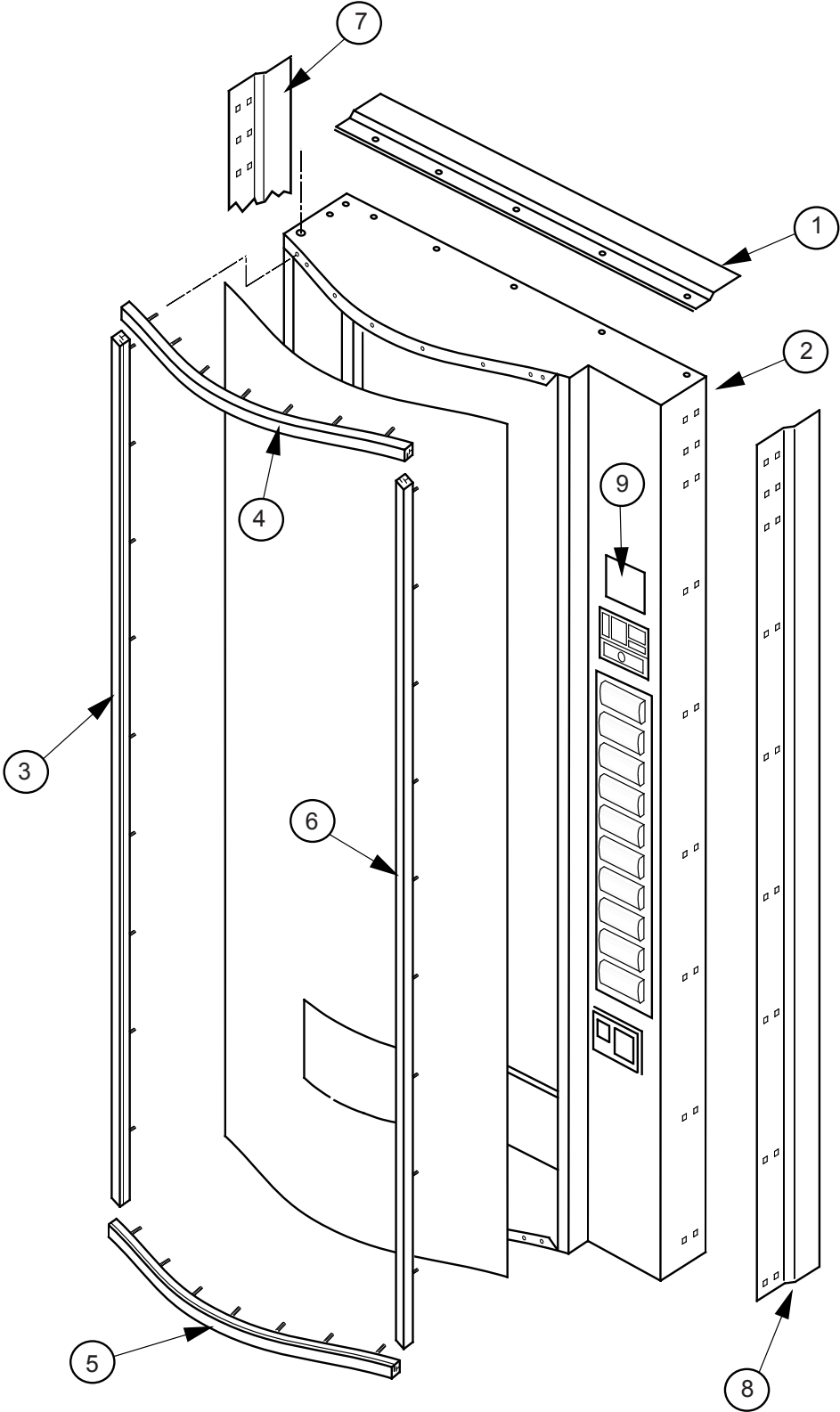
Refrigeration



Refrigeration

Item #	Part Name	Part Description	Code/Voltage	Part #
1	REFRIG. SYSTEM- NON CAP START	1/3+ 115V R134A TEC		256420
	REFRIG. SYSTEM- CAP START	1/3 R-134A TEC		141420
	REFRIG. SYSTEM- CAP START	1/3+ R-134A TEC		156430
	REFRIG. SYSTEM- NON CAP START	1/3+ HP 115V R134A TEC W/SHOCK LOOP		256460
	REFRIG. SYSTEM	1/3+ HP 220 V	ALL 220	141430
	REFRIG. SYSTEM	1/3 HP 220 V	ALL 220	210402
2	1/3+ HP COMPRESSOR R134A	CAP START HIGH TORQUE TECUMSEH		819028
	1/3+ HP COMPRESSOR R134A	TECUMSEH 220V		819030
	1/3+ HP COMPRESSOR R134A	115V TEC.		819015
	1/3 HP COMPRESSOR R134A	CAP START HIGH TORQUE TECUMSEH		819023
3	CONDENSOR FAN BLADE	8 3/4 DIA		810014
4	CONDENSOR FAN MOTOR ASSY.	MOTOR AND BLADE		839010
5	OVERLOAD 1/3+	TECUMSEH		822010
6	COMPRESSOR RELAY	1/3+ HP TECUMSEH		822042
7	COLD CONTROL			822001
8	EVAPORATOR COIL			820002
9	CONDENSOR COIL			820007
10	EVAPORATOR FAN SHROUD ASSY	WIDE		256080
	EVAPORATOR FAN SHROUD ASSY	NARROW		258070
	EVAPORATOR COVER WIDE	WIDE VENDORS		010013
	EVAPORATOR COVER	NARROW VENDORS		095008

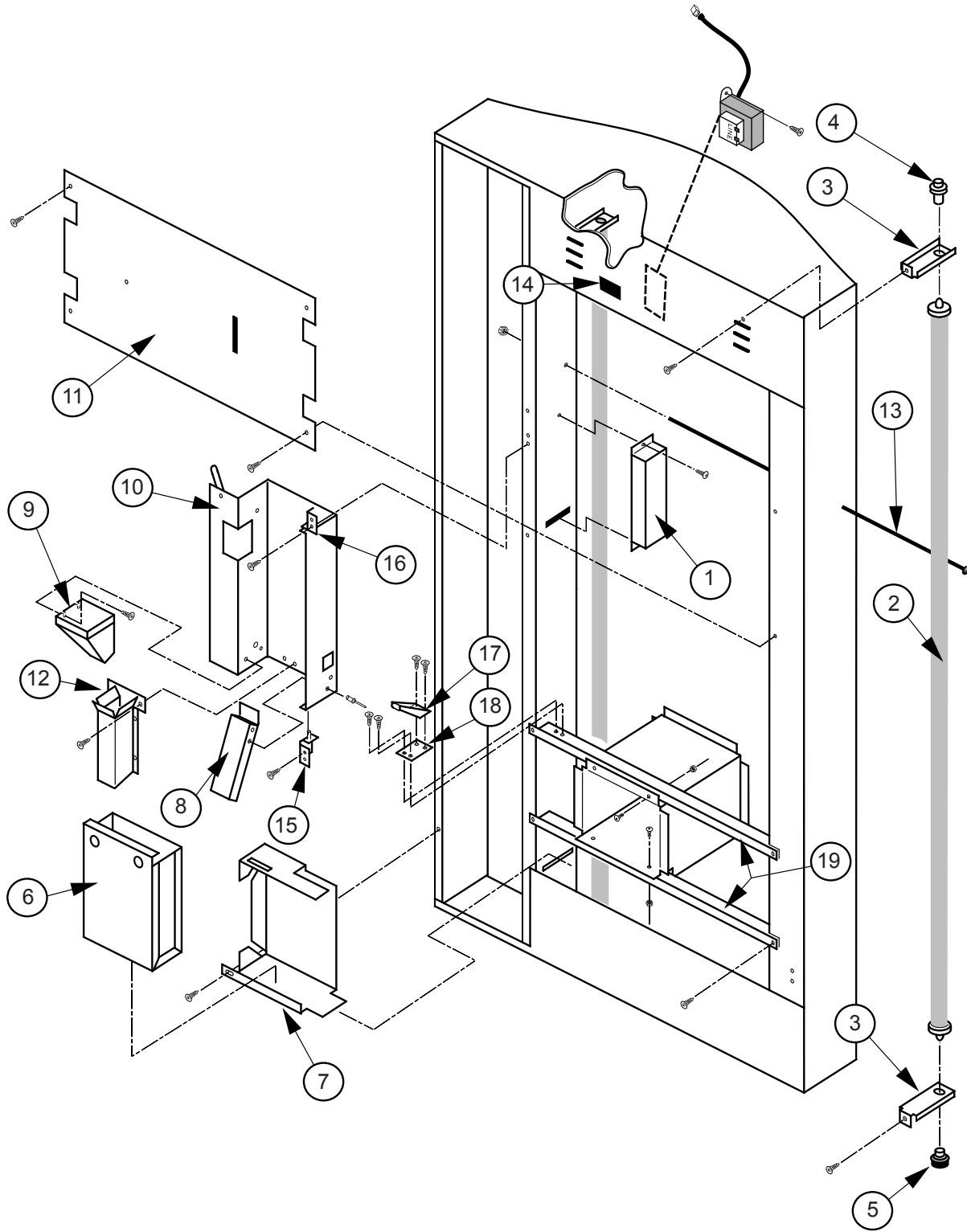
Door Assembly, Front



Door Assembly, Front

Item #	Part Name	Part Description	Code/Voltage	Part #
1	RAIN GUARD	NARROW VENDOR MERLIN 4		258504
	RAIN GUARD	NARROW / TOP OF DOOR		036503
	RAIN GUARD	WIDE / TOP OF DOOR		010518
2	WELDED DOOR ASSEMBLY	PC WIDE 79" / VDR		227510
	WELDED DOOR ASSEMBLY	PC 72" ROUND/WIDE		013510
	WELDED DOOR ASSEMBLY	PC 72" WIDE / VRD		228510
	WELDED DOOR ASSEMBLY	PC 72" NV MERLIN 4		264510
	WELDED DOOR ASSEMBLY	PC 79.5' ROUND/WIDE		012520
	WELDED DOOR ASSEMBLY	PC 79" NV MERLIN 4		263510
	WELDED DOOR ASSEMBLY	72" PC CDC WIDE		195520
	WELDED DOOR ASSEMBLY	79" PC CDC WIDE		198510
	DOOR ASSEMBLY COMPLETE	PC 72" 10 SEL REGULAR ROUND		196510
	DOOR ASSEMBLY COMPLETE	PC 79" 10 SEL MERLIN 4 ROUND CDC BOT.		273580
	DOOR ASSEMBLY COMPLETE	PC 72" N 6 SELECT MERLIN ROUND		040970
	3	SIGN TRIM	LEFT SIDE TRIM 79" WIDE VENDER, PEPSI	
SIGN TRIM		LEFT SIDE TRIM 72" NARROW VENDER, PEPSI		142502
4	SIGN TRIM	TOP TRIM WIDE VENDER, PEPSI		012553
5	SIGN TRIM	BOTTOM TRIM WIDE VENDER, PEPSI		012553
	SIGN TRIM	TOP/BOTTOM TRIM (M4) NARROW VENDER, PEPSI		263504
6	SIGN TRIM	RIGHT SIDE TRIM 79" WIDE VENDER, PEPSI		012554
	SIGN TRIM	RIGHT SIDE TRIM 72" WIDE VENDER, PEPSI		013507
	TRIM--PC	79.5"		012597
	TRIM--PC	72"		013580
7	LEFT VANDAL PANEL	79" (SPEC. COLOR)RUN 1303 & AFTER		141002
	LEFT VANDAL PANEL	57.5" (SPEC. COLOR)RUN 1302 & BEFORE		038001
	LEFT VANDAL PANEL	57.5" (SPEC. COLOR)RUN 1303 & AFTER		149002
	LEFT VANDAL PANEL	72" (SPEC. COLOR)RUN 1302 & AFTER		142001
8	RIGHT VANDAL PANEL	79" (IDENTIFY COLOR)		010519
	RIGHT VANDAL PANEL	57 1/2" (IDENTIFY COLOR)		038505
	RIGHT VANDAL PANEL	72" (IDENTIFY COLOR)		011501
	RIGHT CABINET VANDAL PANEL	57 1/2" (IDENTIFY COLOR)		038002
9	P.O.S. LEXAN PANEL	TUFF GUY P.O.S. WINDOW		171523
	P.O.S. WINDOW PLATE	P.O.S. WINDOW PLATE		123503

Door Assembly, Rear



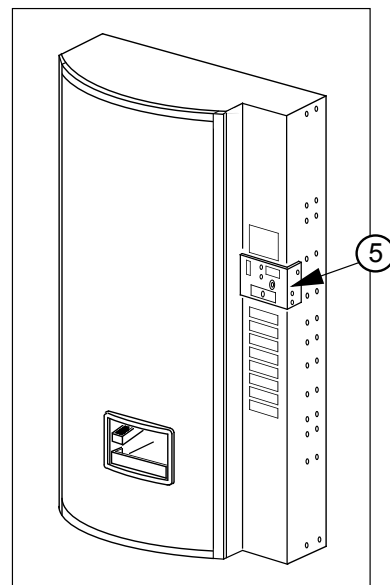
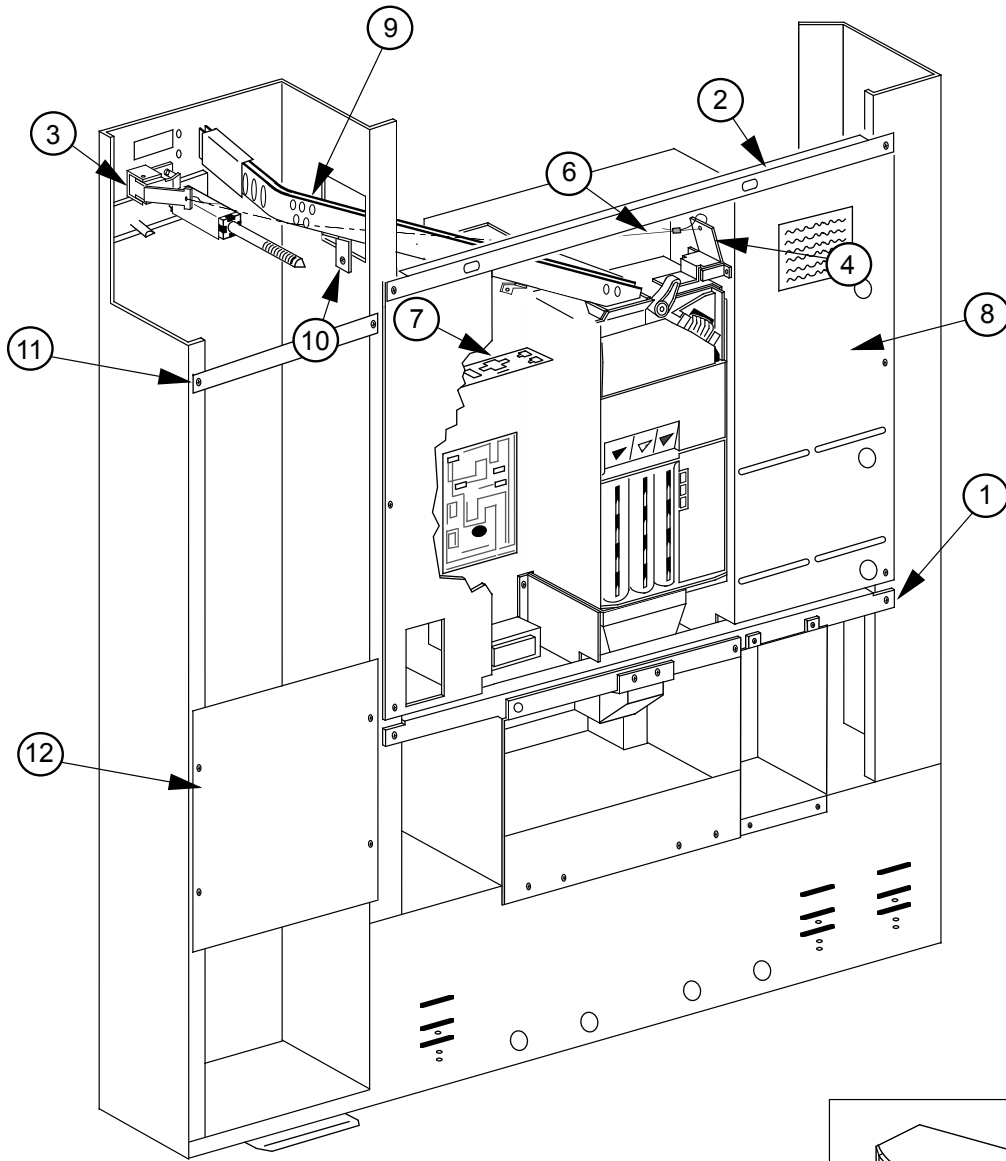
Door Assembly, Rear

Item #	Part Name	Part Description	Code/Voltage	Part #	
1	BALLAST ASSY.	PC/CD 79" MERLIN		012940	
	BALLAST ASSY.	PC/CD 57.5" MERLIN (VALMONT)		042910	
	BALLAST ASSY.	PC/CD 72 REG.		013550	
	BALLAST ASSY.	PC/CD 72" W MERLIN		013920	
	BALLAST ASSY.	PC/CD 72" NV MERLIN		040920	
	BALLAST ASSY.	PC/CD 79" WIDE REG.		012591	
	BALLAST ASSY	79" PC MERLIN C.D.C.		198920	
	BALLAST ASSY	72" PC MERLIN C.D.C.		195910	
	BALLAST ASSY	79" CD MERLIN (MAGNATEK) 220V	220V	013940	
	BALLAST ASSY	72" CD MERLIN (MAGNATEK) 220V	220V	012921	
	BALLAST HIGH OUTPUT	VALMONT		838003	
	BALLAST SLIMLINE	PC/CD & INTERNATIONAL CC		838002	
	BALLAST SLIMLINE	48" SL LAMP		838004	
	2	LAMP 72" SLIMLINE PC 79"	SOLD BY CASE (15)/SHIPPED WITH VENDORS		841005
		LAMP 64" SLIMLINE PC 72"	SOLD BY CASE (15)/SHIPPED WITH VENDORS		841006
LAMP 48" SLIMLINE		SOLD BY CASE (24)/SHIPPED WITH VENDORS		841008	
3	LAMP BRACKET	ALL VENDORS		010517	
	LAMP SOCKET ASSY.	PC / CD TOP		012518	
	LAMP SOCKET ASSY.	PC / CD BOTTOM		012519	
4	LAMPHOLDER	SLIMLINE #516 TOP-PC SPRING		842003	
5	LAMPHOLDER	SLIMLINE #517 BOTTOM-PC		842004	
	CORRECT CHANGE LAMP	ELECTRO-MECH		841010	
6	COIN BOX WELD ASSY	WIDE		010580	
	COIN BOX WELD ASSY	ALL CDC		273550	
7	COIN BOX HOUSING	ALL VENDORS (EXCEPT CDC)		010537	
	COIN BOX HOUSING W/A	ALL CDC		273540	
	COIN BOX HOUSING	CDC		273503	
	COIN BOX/VALIDATOR GUARD KIT	ALL		011190	
	BAG CHUTE W/A HONOR GUARD	WIDE PC/CD/VF		012110	
	SAFEGUARD COIN BOX	ALL VENDORS		010171	
	SAFEGUARD COIN BOX	FOR 79 X CDC VENDORS		141127	
	CASH BOX LOCK	LOCK CASH BOX KIT		812054	
	SAFEGUARD FUNNEL			812110	
	SAFEGUARD BOX W/KEYS			812111	
8	BOTTOM COIN CHUTE ASSY.	PC/CD		012593	
	OPENER COIN CUP ASSY.	PLASTIC		010565	
	COIN CUP PLATE	USED W/OPENER COIN CUP		010552	
	VENDOR DEFENDER	COIN CHUTE KIT		816055	
	COIN CUP CONTOUR BOTTLE	3 DEEP+ CDC		231101	
	COIN CUP	WIDE PORT CDC		273506	
	COIN CHUTE ASSEMBLY	ALL STANDARD VENDORS		010532	
	9	COIN HOPPER	ALL VENDORS		815015
		HOPPER CHUTE	PC/CD / REAR		012512
		HOPPER CHUTE COVER	PC/CD / FRONT		012513
HOPPER CHUTE KIT		PC/CD		013570	
COIN CHUTE ASSY		79 CDC		161590	
COIN CHUTE BRACKET		CDC		162502	
SUPPORT BRACKET		HOLDS COIN CHUTE CDC		161537	
	CHANGER DOOR ASSY.	PC / CD		013560	
10	CHANGER DOOR	ALL VENDORS (EXCEPT CDC/DP V4)		010544	
	CHANGER DOOR LATCH ASSY.	ALL		011152	
11	LAMP GUARD	WIDE /CENTER OF DOOR		012514	
	LAMP GUARD	NARROW / CENTER OF DOOR		040501	
12	HOPPER CHUTE ASSY	PC/CD WIDE		012538	
13	TIE ROD - DOOR	5/32 DIA X 28.31 WIDE DOOR		811001	
	TIE ROD	NARROW DOOR		811005	
	FUSE	FOR FUSE BOX		842059	
	FUSE	FOR TRANSFORMER		842135	

Door Assembly, Rear

Item #	Part Name	Part Description	Code/Voltage	Part #
	FUSE	MERLIN--OLD BOARD		942021
	FUSE BOX ASSY WITH LEAD	MERLIN 4 AMP		012165
	FUSE BOX ASSY	MERLIN 4 AMP		012166
15	CHANGER DOOR HINGE ASSY	BOTTOM		010560
16	CHANGER DOOR HINGE ASSY	TOP		010570
17	LATCH STRIKE	FOR INNER DOOR		812003
18	LATCH ROLLER BRACKET	FOR INNER DOOR LATCH STRIKE		010516
19	PORT BRACE	ALL WIDE VENDORS/TOP & BOTTOM BRACE		010515
	PORT BRACE	ALL NARROW VENDORS/TOP & BOTTOM BRACE		036502

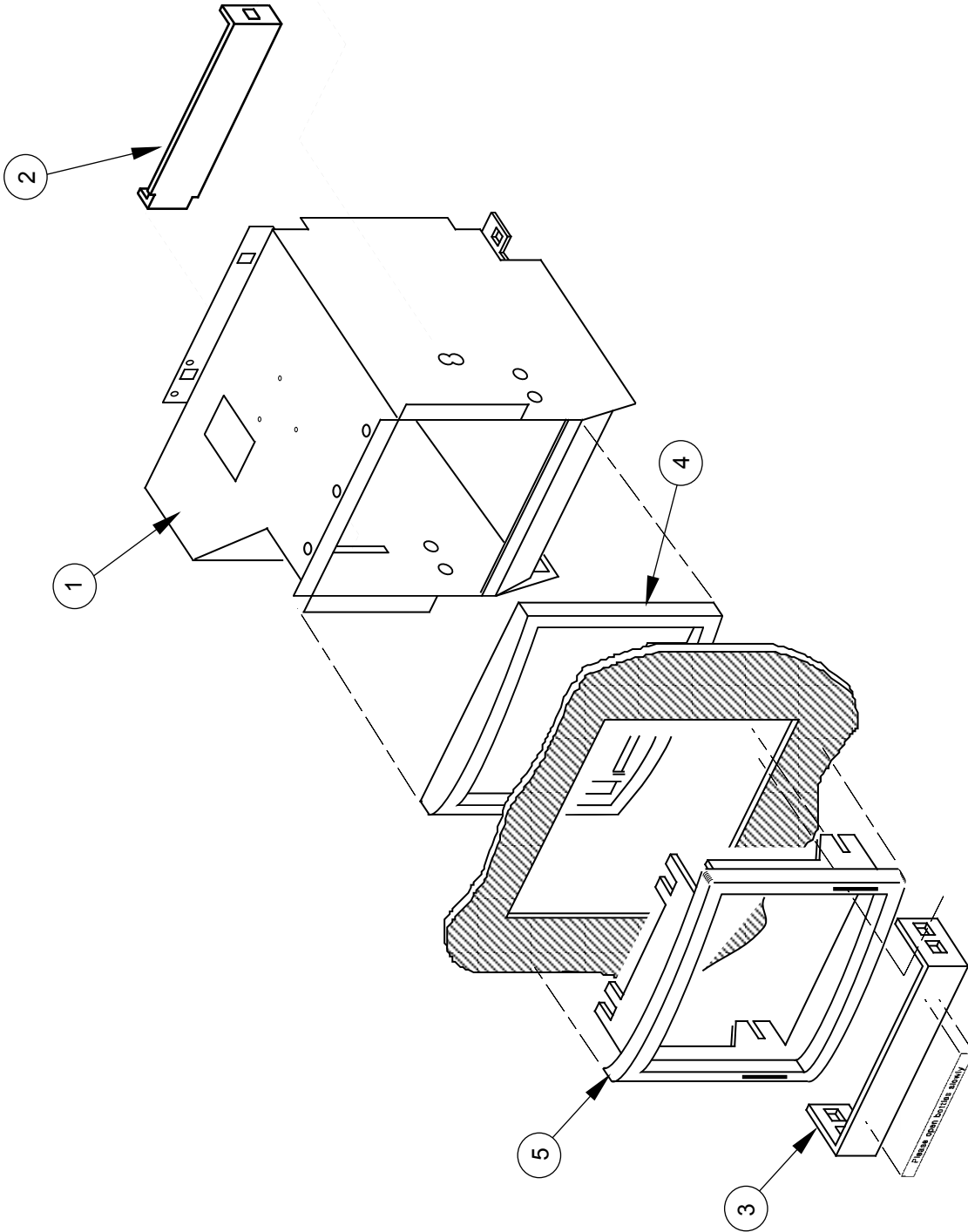
Changer



Changer

Item #	Part Name	Part Description	Code / Voltage	Part #
1	PORT BRACE W/A	HOLDS TOP OF CHANGER VAULT CDC		161541
2	CHANGER VAULT BRACE	HOLDS BOTTOM OF CHANGER VAULT		161518
3	BUTTON LEVER ASSY	COIN INSERT/COIN RETURN CDC		161594
4	COIN RETURN LEVER ASSY	ABOVE ESCROW LEVER ON CHANGER CDC		161593
5	SECURITY PLATE W/A	VRD CDC		195510
	SECURITY PLATE W/A	CD / FD / NV PC / VRD / MERLIN IV		216530
	SECURITY PLATE	PC, CDC		195503
6	3/64" DIA. GALV. CABLE	CDC		911032
7	CHANGER PLUG BRACKET	MERLIN		010561
	BOARD COVER	1 PER PEPSI CDC ELE. V.-AFTER RUN 1548		195518
8	CHANGER VAULT W/A			161523
9	COIN CHUTE ASSEMBLY	CDC WIDE VENDER 79"		161590
10	COIN CHUTE BRACKET	79"		161527
	COIN CHUTE BRACKET	72"		162502
11	PANEL STRAP			010531
12	SELECT PANEL PLATE			161512

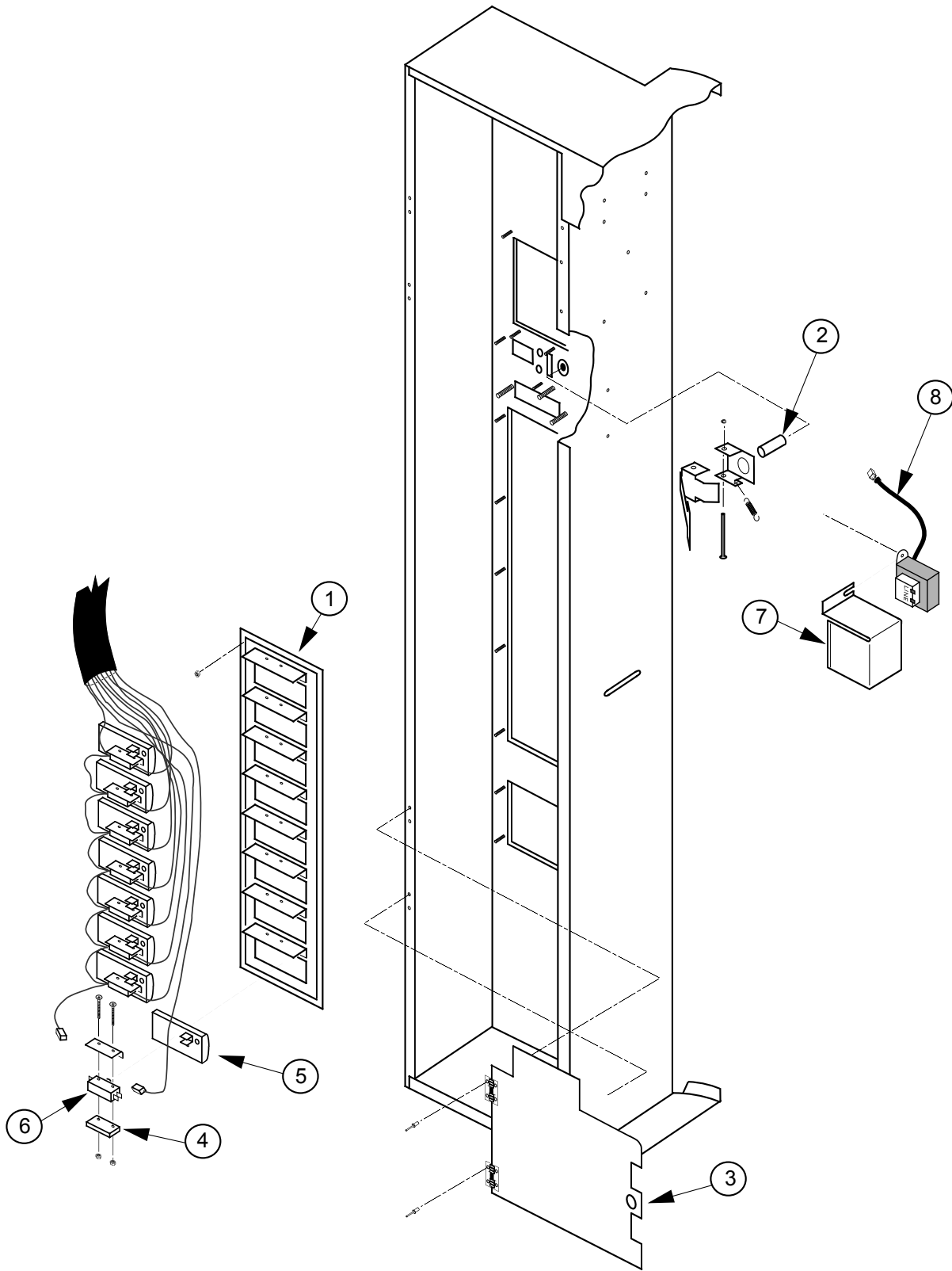
Port



Port

Item #	Part Name	Part Description	Code/Voltage	Part #
1	PORT BODY W/A	PC MERLIN 4		261510
	WELDED PORT ASSY.	PC/CD WIDE ROUND		012560
	PORT BODY W/A	PC/CD / WIDE PORT / NV / MIV		263550
	PORT BODY W/A	PC/CD / WIDE PORT / CDC		273560
	PORT BODY W/A	FLAT DISPLAY /CD / MIV / VRD		278520
2	ANTI-THEFT PLATE	NV / MIV / WIDE PORT / PC/CD		263505
	ANTI-THEFT PLATE	ALL VENDOR EXCEPT 16 OZ & C.D.C.		210505
	ANTI-THEFT PLATE	BOTTLES		141102
	ANTI-THEFT PLATE	CDC/BOTTLES CDC		161545
	ANTI-THEFT PLATE	RUN 1349 AND BEFORE CDC		161504
	ANTI-THEFT PLATE	FD / CD / VRD		278509
	ANTI-THEFT PLATE	PC/CD / WIDE PORT / CDC		273507
3	CAN STOP	PC/CD / WIDE PORT		273508
	CAN STOP	ALL VENDORS / METAL		010508
4	PORT SPACER	WIDE / PC		815248
	PORT SPACER	PC		815047
5	PORT TRIM	ALL VENDORS / PLASTIC		815019
	PORT TRIM	ALL WIDE PORT		815249

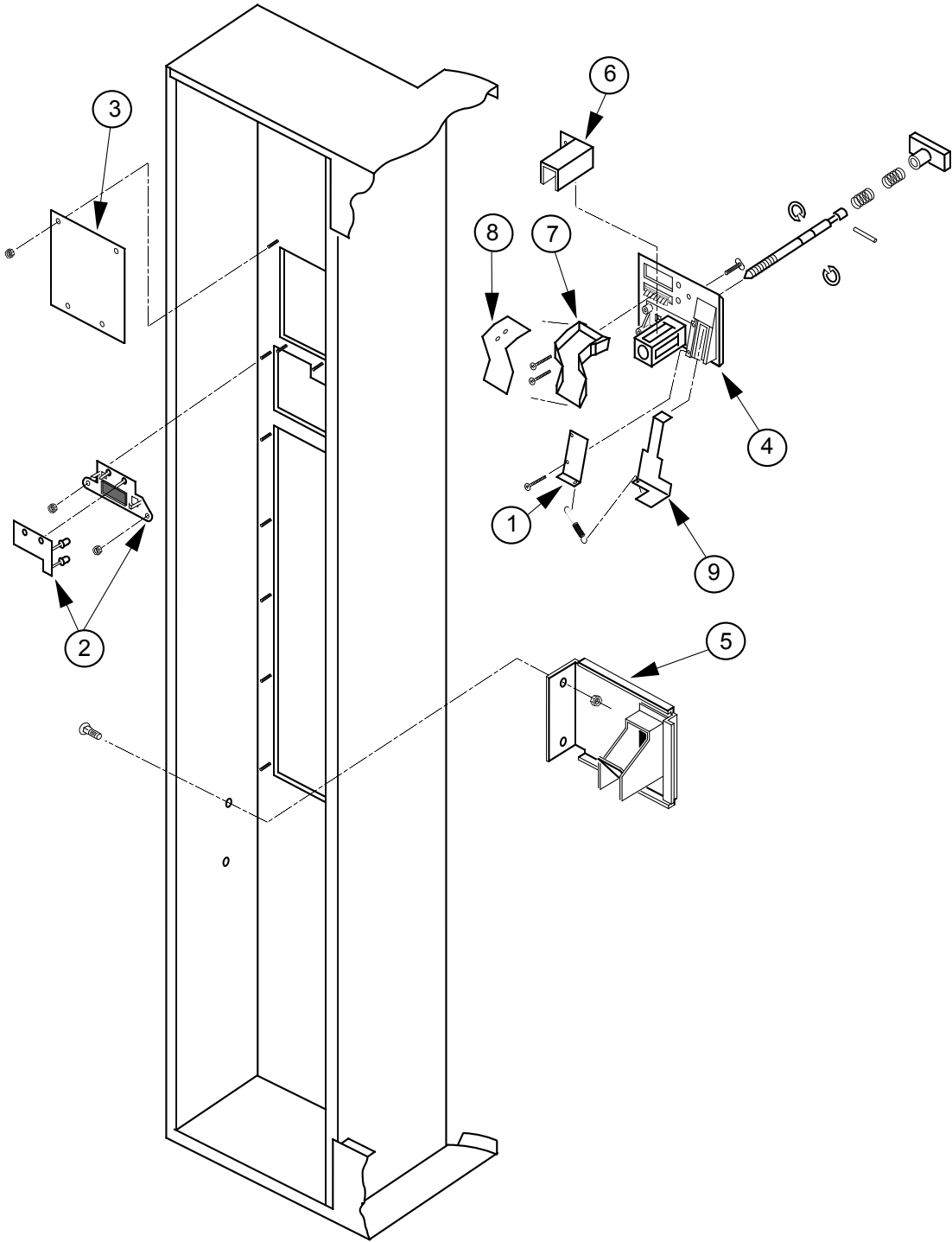
Vandal Resistant Door, Rear



Vandal Resistant Door, Rear

Item #	Part Name	Part Description	Code / Voltage	Part #
1	10 SELECT BUTTON PANEL W/A	PC, CD (METAL ONLY)		017530
	10 SELECT BUTTON PANEL ASSY	PC/ CD MERLIN LG SWITCH W/HARNESS		017920
	10 SELECT BUTTON PANEL ASSY	PC/CD ELECT W/O HARNESS		017922
	10 SELECT BUTTON PANEL ASSY	PC/CD MERLIN W/O HARNESS		017910
	8 SELECT BUTTON PANEL ASSY	PC/CD REG W/O HARNESS		012540
	8 SELECT BUTTON PANEL ASSY	PC/CD REG LARGE SWITCH W/O HARNESS		012596
	8 SELECT BUTTON PANEL ASSY	PC/CD MERLIN W/O HARNESS		012569
	8 SELECT BUTTON PANEL ASSY	PC/CD MERLIN LARGE SWITCH W/O HARNESS		012990
	7 SELECT BUTTON PANEL ASSY	PC/CD WV REG W/O HARNESS		034530
	6 SELECT BUTTON PANEL ASSY	PC/CD WV MERLIN LGE SWITCH W/O HARNESS		105910
	6 SELECT BUTTON PANEL ASSY	PC/CD NV MERLIN LGE SWITCH W/O HARNESS		040960
	6 SELECT BUTTON PANEL ASSY	PC/CD NV REG W/O HARNESS		040540
	5 SELECT BUTTON PANEL ASSY	PC/CD REG W/O HARNESS		043540
	9 SELECT BUTTON PANEL W/A	PC/CD (METAL ONLY)		212510
	9 SELECT BUTTON PANEL W/A	PC/CD W/N FUNNEL MECH (METAL ONLY)		212501
	8 SELECT BUTTON PANEL W/A	PC, CD (METAL ONLY)		012510
	7 SELECT BUTTON PANEL W/A	PC/CD (METAL ONLY)		034520
	6 SELECT BUTTON PANEL W/A	PC/CD NARROW (METAL ONLY)		040530
	6 SELECT BUTTON PANEL W/A	PC/CD WIDE (METAL ONLY)		105510
	5 SELECT BUTTON PANEL W/A	PC/CD NARROW (METAL ONLY)		043530
	5 SELECT BUTTON PANEL W/A	PC/CD WIDE (METAL ONLY)		119510
2	COIN RETURN BUTTON	ALL		803031
	COIN RETURN BUSHING	ALL / COIN RETURN BUTTON VRD		803030
3	COIN BOX GUARD	FOR VENDORS W/O VALIDATOR		011147
4	SWITCH SPACER	FOR PC/CD BUTTONS		815018
5	SELECT BUTTON	PC/CD LARGE SWITCH		815025
6	SELECT BUTTON SWITCH	PC/CD LARGE BUTTON		835012
	SPLASH GUARD	PC/CD		815303
7	24V TRANSFORMER COVER	ALL VENDORS		010063
8	TRANSFORMER ASSY 75VA	MERLIN BASLER BE122775GEB		010572
	TRANSFORMER ASSY	MERLIN CDC		161903
	TRANSFORMER	FRENCH CHANGER	FR	012922
	TRANSFORMER ASSY	220 VOLT I.E.C.	All Except Australia	842220
	TRANSFORMER ASSY	221 VOLT I.E.C.	AU	842221
9	T-HANDLE BRACE	ALL VANDAL RESISTANT PC		141513

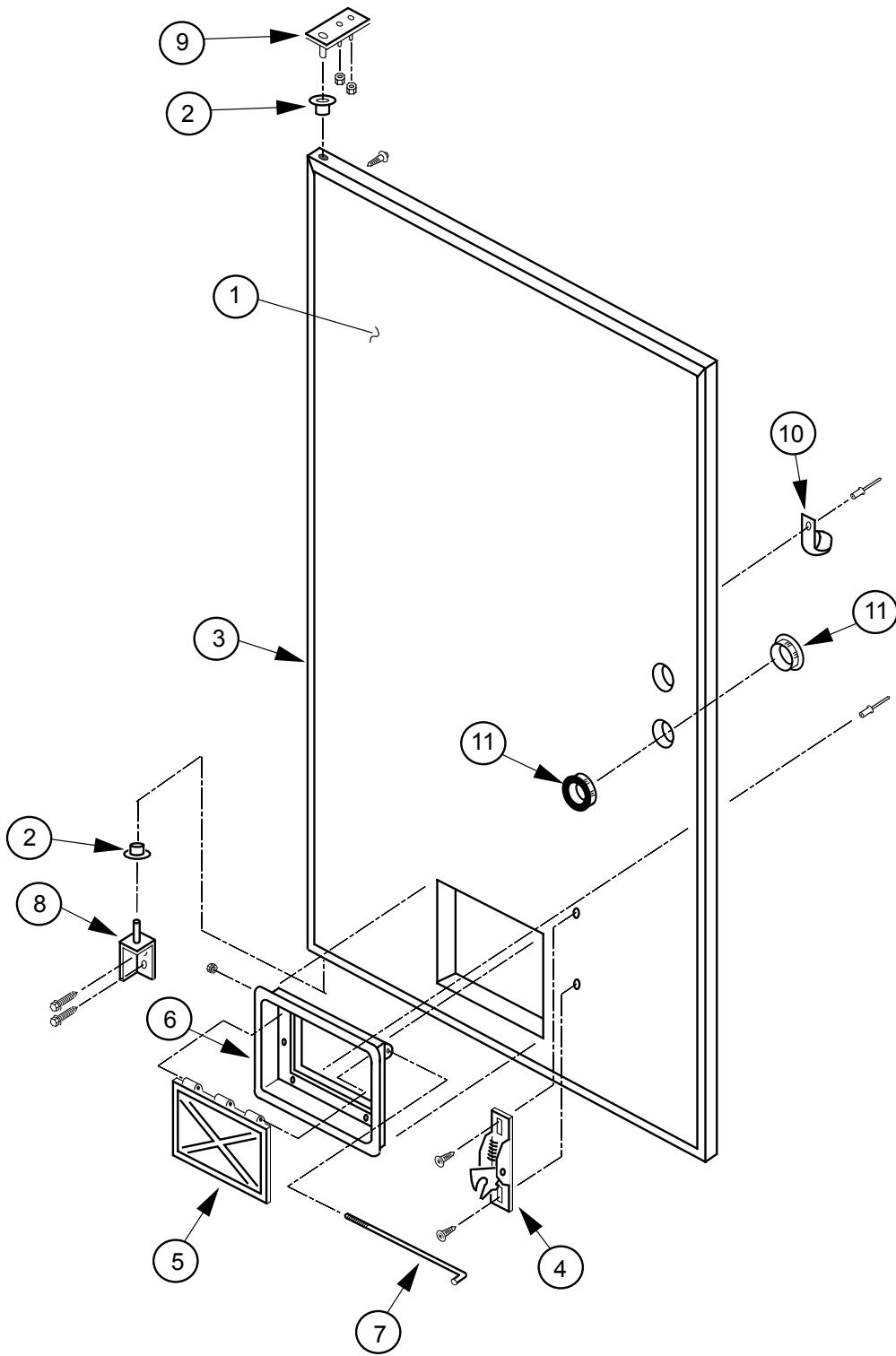
Select Panel Assembly, Front



Select Panel Assembly, Front

Item #	Part Name	Part Description	Code/Voltage	Part #
1	SPRING PLATE			010511
2	L.E.D. ASSY NEW	1.10 AND UP / L.E.D. AND WINDOW		010593
	L.E.D. DISPLAY HARNESS	WITH IRONBEAD MIV		842186
	L.E.D. CONVERSION KIT	OLD L.E.D. TO NEW L.E.D. 5.0 BOARD		012124
	L.E.D.	PARALYNE COATING		836012
	OLD L.E.D. DISPLAY	"MERLIN" 1.09 UNDER		836005
	L.E.D. COVER			010562
	L.E.D. WINDOW	1.09 & UNDER		010563
	L.E.D. LENS	SMALL LITE LENS/COR CHANGE-SOLDOUT		916032
3	VALIDATOR COVER	PC/CD		012508
	MARS VALIDATOR (POS) PLATE	W/A		010065
4	COIN INSERT	PC / CD METAL ONLY		809006
	COIN INSERT ASSEMBLY	PC MERLIN C.D.C.		195560
	COIN INSERT ASSEMBLY	PC / CD - REG. & OLD MERLIN		012550
	COIN INSERT ASSEMBLY	PC/ CD - NEW MERLIN		012910
5	COIN CUP W/A MOUNTING PLATE	PC / CD (AFTER RUN 1218)		012595
6	LOCK CYLINDER COVER	ALL		012555
7	COIN CHUTE	BOTTOM		815001
8	COIN CHUTE	TOP		815002
9	SCAVENGER LINK	COIN RETURN LEVER		810001

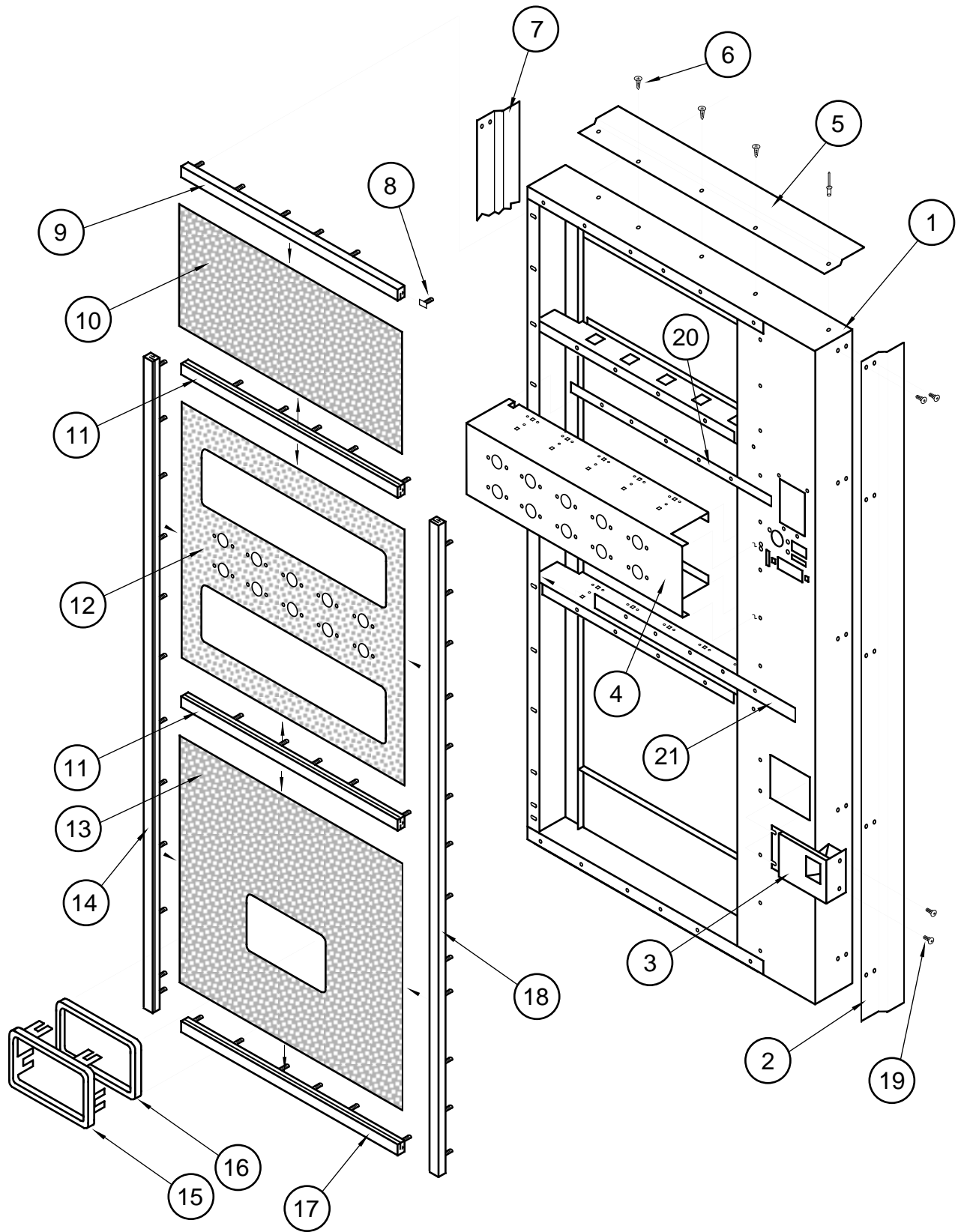
Inner Door



Inner Door

Item #	Part Name	Part Description	Code/Voltage	Part #
1	INNER DOOR ASSEMBLY	79" WIDE		210609
	INNER DOOR ASSEMBLY	79" NARROW		258630
	INNER DOOR ASSEMBLY	72" WIDE		262640
	INNER DOOR ASSEMBLY	72" NARROW		264630
	INNER DOOR ASSEMBLY	72" (RUN 1405 & BEFORE)		011620
	INNER DOOR ASSEMBLY	79 1/2" (RUN 1405 & BEFORE)		010650
	INNER DOOR ASSEMBLY	72" CD I.E.C. MERLIN IV		262670
	2	INNER DOOR BUSHING		
3	INNER DOOR GASKET	79" WIDE		815033
	INNER DOOR GASKET	72" NARROW		815044
	INNER DOOR GASKET	72" WIDE		815032
	INNER DOOR GASKET	57 1/2"		815046
	INNER DOOR LOCK	INNER DOOR WITH NEW GASKET (OFFSET CAM)		912187
	INNER DOOR LOCK	INNER DOOR LOCK		812005
4	BURST OPEN LATCH	FOR INNER DOOR		812002
	PORT DOOR	FOR INNER DOOR, WIDE PORT		815192
5	PORT DOOR	FOR INNER DOOR, NARROW PORT		815014
	PORT FRAME	FOR INNER DOOR, WIDE PORT		815191
	PORT FRAME	FOR INNER DOOR, NARROW PORT		815013
7	PORT DOOR ROD	FOR INNER DOOR, WIDE PORT		811028
	PORT DOOR ROD	FOR INNER DOOR, NARROW PORT		811004
8	INNER DOOR HINGE ASSY	BOTTOM		010550
9	INNER DOOR HINGE ASSY	TOP		010520
10	CABLE CLAMP 1"	NYLON 1/2 WIDE		916004
11	BUSHING 1 3/8	HEYCO SB 1375-16		916003

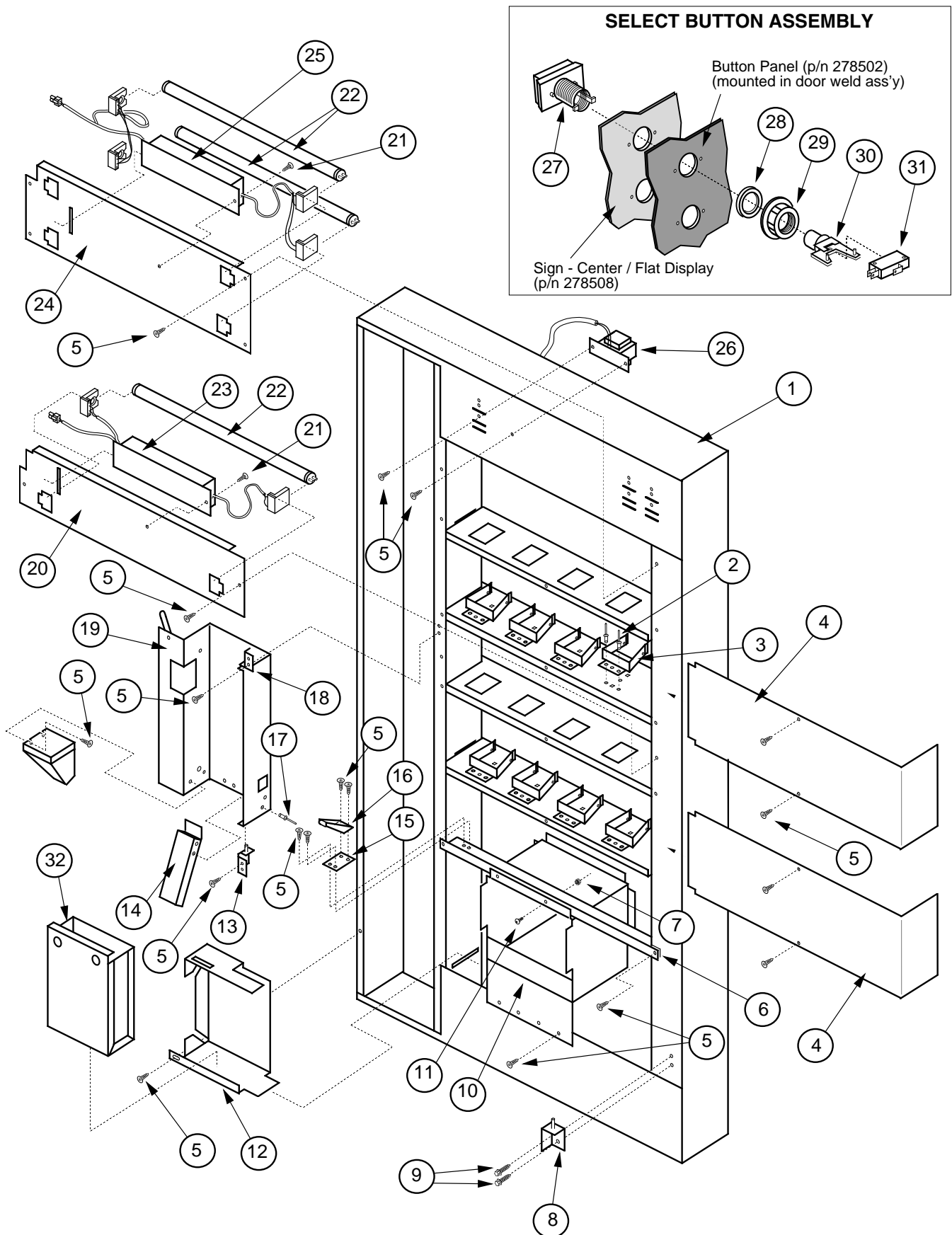
Flat Horizontal Display, Door Front



Flat Horizontal Display, Door Front

Item #	Part Name	Part Description	Code / Voltage	Part #
1	Door Welded Assembly - Flat Display	72"		278510
2	Right Vandal Panel	72"		011501
3	Coin Return Cup Welded Assembly			012595
4	Button Panel - Flat Display	10 Select		278502
5	Rain Guard - Wide Venders			010518
6	Screw	#8 x 1/2"		902004
7	Left Vandal Panel	79"		141002
	Left Vandal Panel	72"		142001
8	T-Screw	#8-32		901001
9	Trim, Top Side			032807
10	Sign, Top / Flat Display	Cold Drink Graphics		845918
11	Trim, Center			278511
12	Sign, Center	Flat Display		845919
13	Sign, Bottom	Flat Display		845920
14	Trim, Left Side			019507
15	Port Trim	Wide Port		815249
16	Port Spacer	Wide Port		815248
17	Trim, Bottom Side			032806
18	Trim, Right Side			019508
19	Carriage Bolt	1/4-20 x 1/2"		901007
20	Price Label Strip - Top			278512
21	Price Label Strip - Bottom			278515

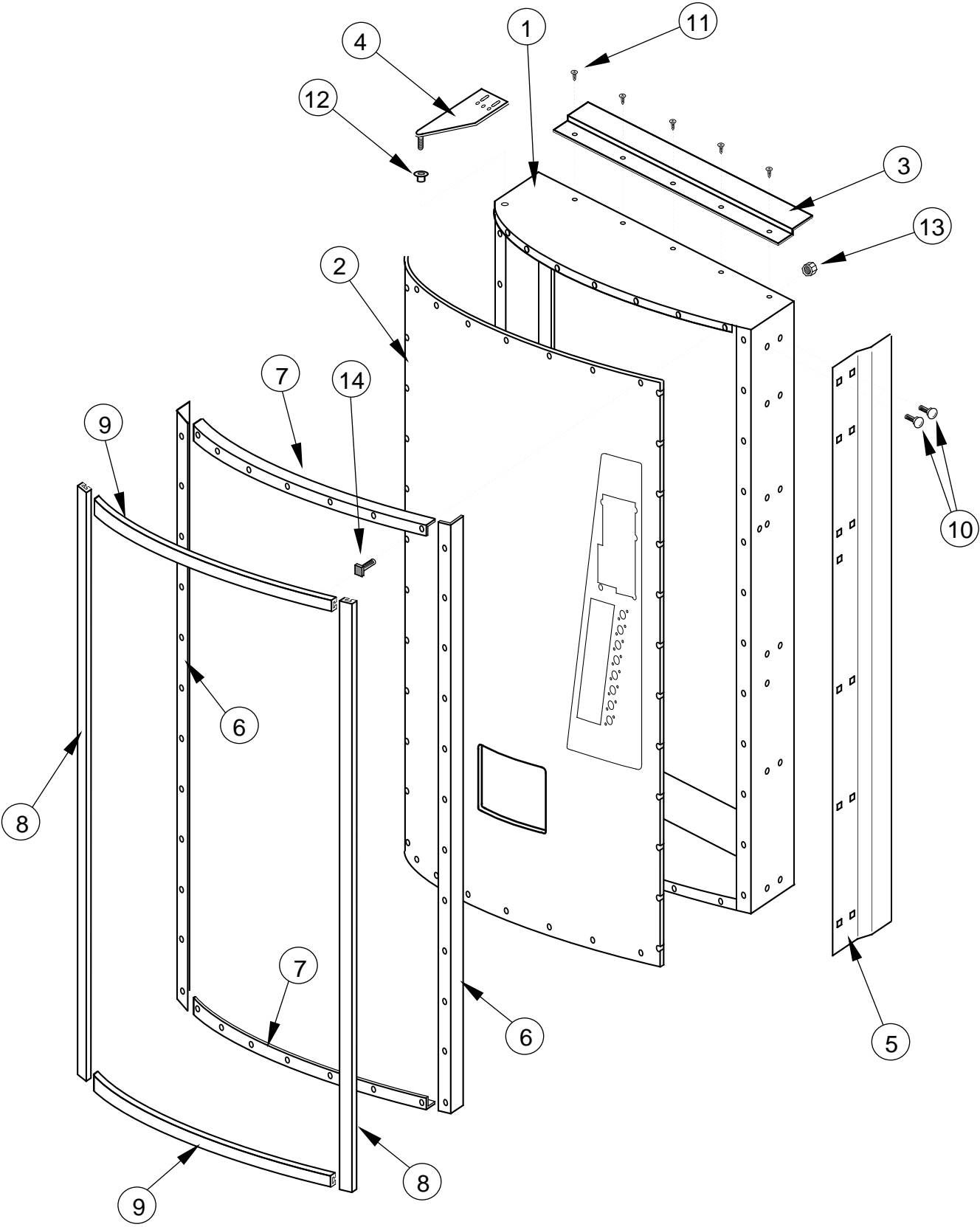
Flat Horizontal Display, Door Rear



Flat Horizontal Display, Door Rear

1	Door Welded Assembly	Flat Display - 72"		278510
2	Pop Rivet	1/8" diameter		908004
3	Display Product Holder			023107
4	Display Back	Flat Display		278505
5	Screw	#8 x 1/2"		902004
6	Port Brace	Wide Vender		010515
7	Nut	1/4/20		905002
8	Inner Door Hinge	Bottom		010550
9	Self Tapping Screw	1/4-20 x 1"		901003
10	Port Body Welded Assembly	Flat Display		278520
11	Carriage Bolt	1/4-20 x 1/2"		901007
12	Coin Box Housing			010537
13	Bottom Changer Door Hinge W/A			010560
14	Bottom Coin Chute Assembly	(to Coin Box)		012593
15	Latch Roller Bracket			010516
16	Burst Open Latch Strike			812003
17	Pop Rivet 1/8" dia. Stainless Steel			908001
18	Top Changer Door Hinge W/A			010570
19	Changer Door			010544
20	Lamp Panel - Bottom	(Single Bulb)		278507
21	Screw	#8-32 x 1/2" w Flat Washer		901006
22	Lamp 20 watt 24" long			841012
23	Ballast - Single Bulb			838005
	Ballast Assembly - Flat Display	(Single Bulb)		122518
24	Lamp Panel - Top (Double Bulb)			278506
25	Ballast - Double Bulb			838024
	Ballast Assembly - Flat Display	(Double Bulb)		122528
26	Transformer Assembly			010572
27	Button Assembly			not availab
28	Washer, Select Button			not availab
29	Nut, Select Button			not availab
30	Switch Holder			not availab
*	Complete Button Assembly	Items 27, 28, 29, 30		816016
31	Switch, Miniature			835001
32	Coin Box W/A			010580

Door Assembly Front, Dr Pepper Vision 4

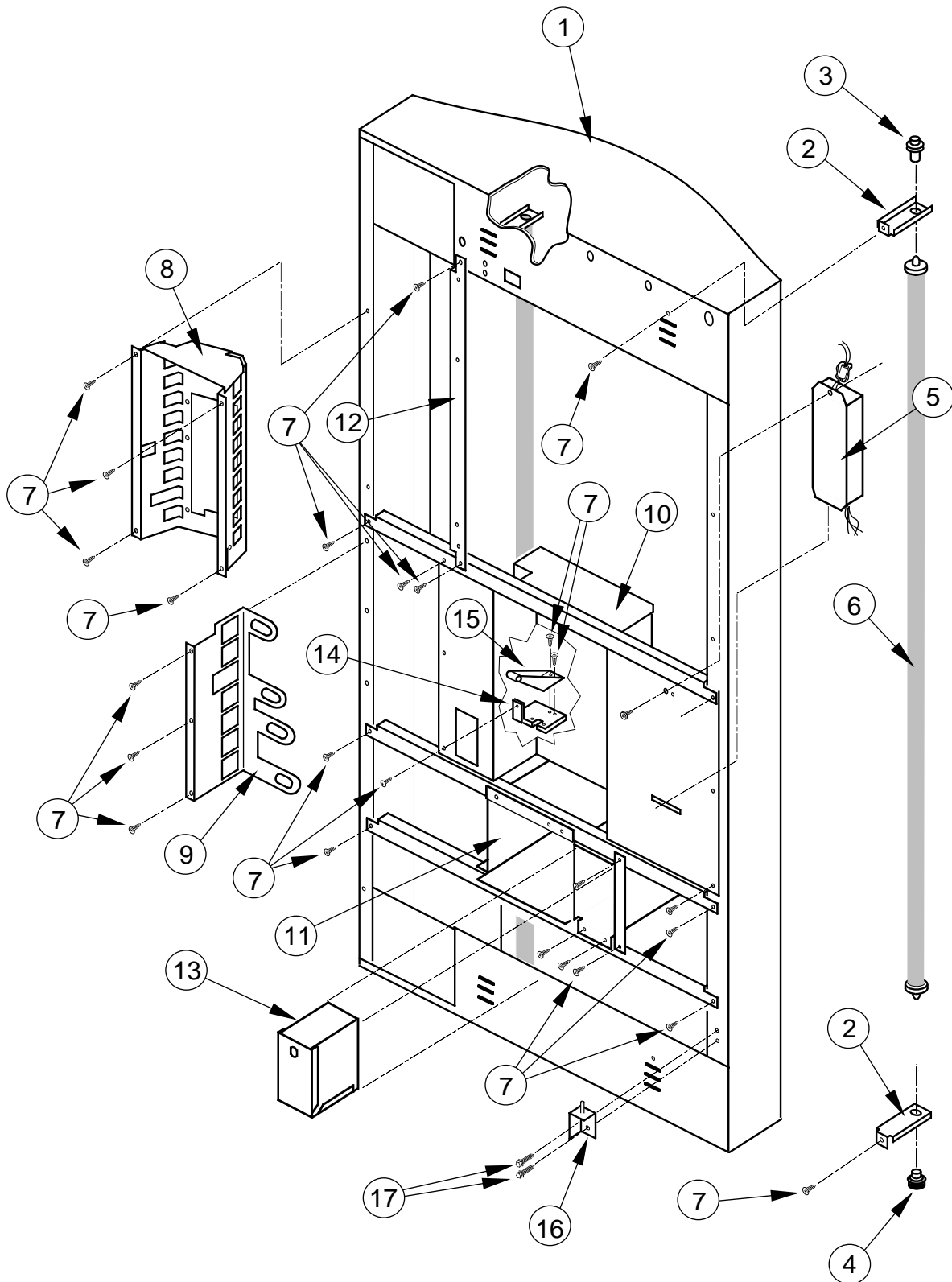


Door Assembly Front, Dr Pepper Vision 4

Item #	Part Name	Part Description	Code/Voltage	Part #
1	Main Door Welded Assembly	Vision 4 / CDC 79"		242510
	Main Door Welded Assembly	Vision 4 / CD. 72"		243510
2	Sign, Dr Pepper Vision 4	Must Give # of Selections		SEE NOTE #1
3	Rain Guard	Wide Venders		010518
4	Top Main Door Hinge			810002
5	Vandal Panel, Right	79" (Door)		010519
	Vandal Panel, Right	72" (Door)		011501
6	Metal Trim, Right & Left	79"		171507
7	Metal Trim, Top and Bottom			171502
8	Trim, Right and Left	79"		242526
9	Trim, Top and Bottom			242525
10	Carriage Bolt	1/4-20x1/2"		901007
11	Self Drilling Screw	#8x1/2"		902004
12	Top Door Bushing			803003
13	Nut	1/4/20		905002
14	T-Bolt	1/4-20x1"		901037

Note #1: There are various parts. Please specify model and serial number at the time of order

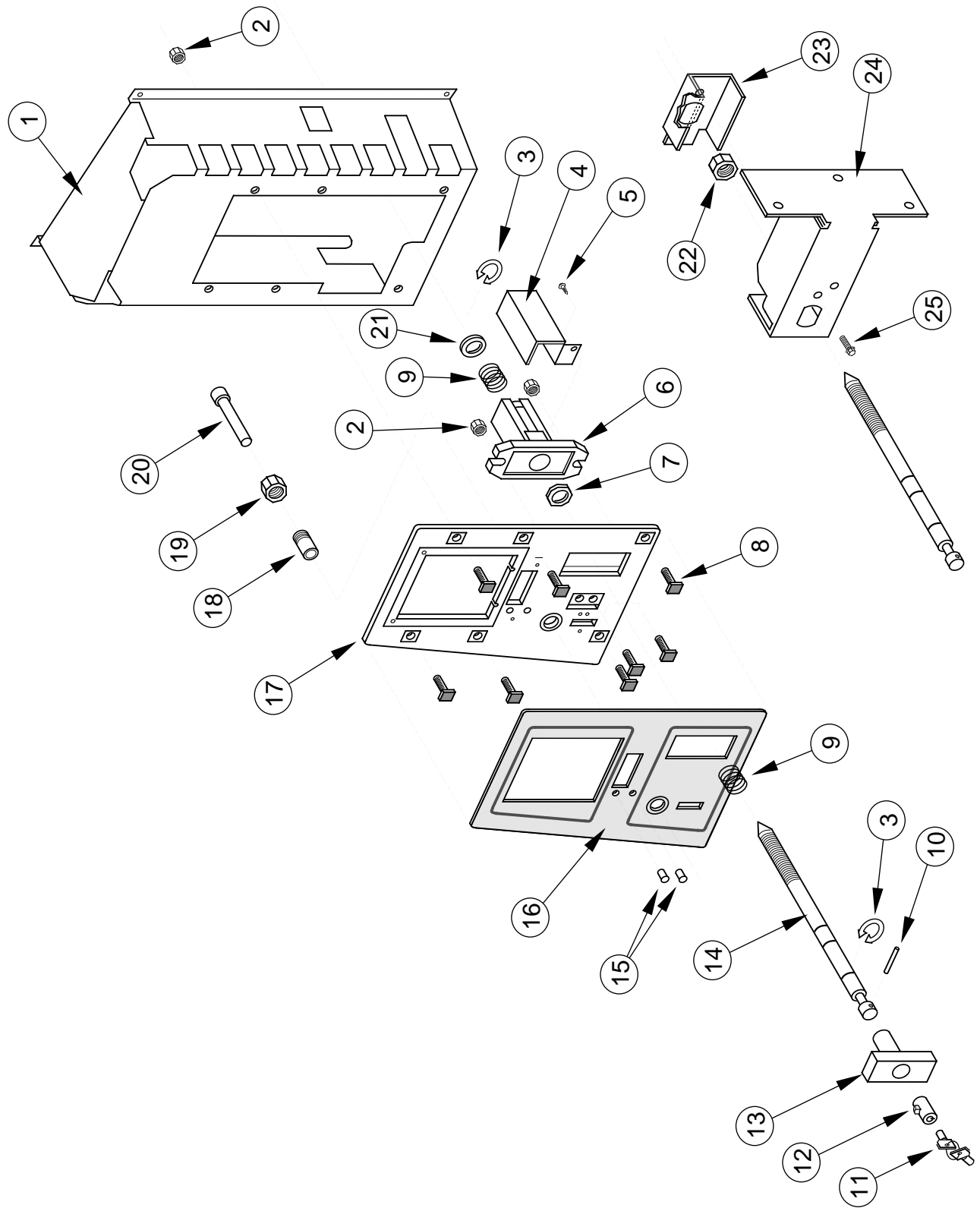
Door Assembly Rear, Dr Pepper Vision 4



Door Assembly Rear, Dr Pepper Vision 4

Item #	Part Name	Part Description	Code/Voltage	Part #
1	Main Door Welded Assembly	Vision 4 / CDC 79"		242510
	Main Door Welded Assembly	Vision 4 / CDC 72"		243510
2	Lamp Bracket			010517
3	Top Lampholder	Springloaded		842003
4	Bottom Lampholder			842004
5	Ballast Assembly			010950
6	Lamp, H.O.	79" Vender		841001
	Lamp, H.O.	72" Vender		841002
7	Screw #8-32x3/8"			901011
8	Validator Vault Welded Assembly			242530
9	Button Bracket Welded Assembly	DP Vision 4		242550
10	Changer Vault Welded Assembly			161523
11	Port Body Welded Assembly	CDC		231510
12	Validator Vault Brace	79"		242511
	Validator Vault Brace	72"		243501
13	Coin Box Welded Assembly	Vision 4 CDC		231550
14	Latch Roller Bracket			242512
15	Burst Open Latch Strike			812003
16	Bottom Inner Door Hinge			010550
17	Self Tapping Screw	1/4-20x1"		901003

Coin Insert Assembly Front, Dr Pepper Vision 4



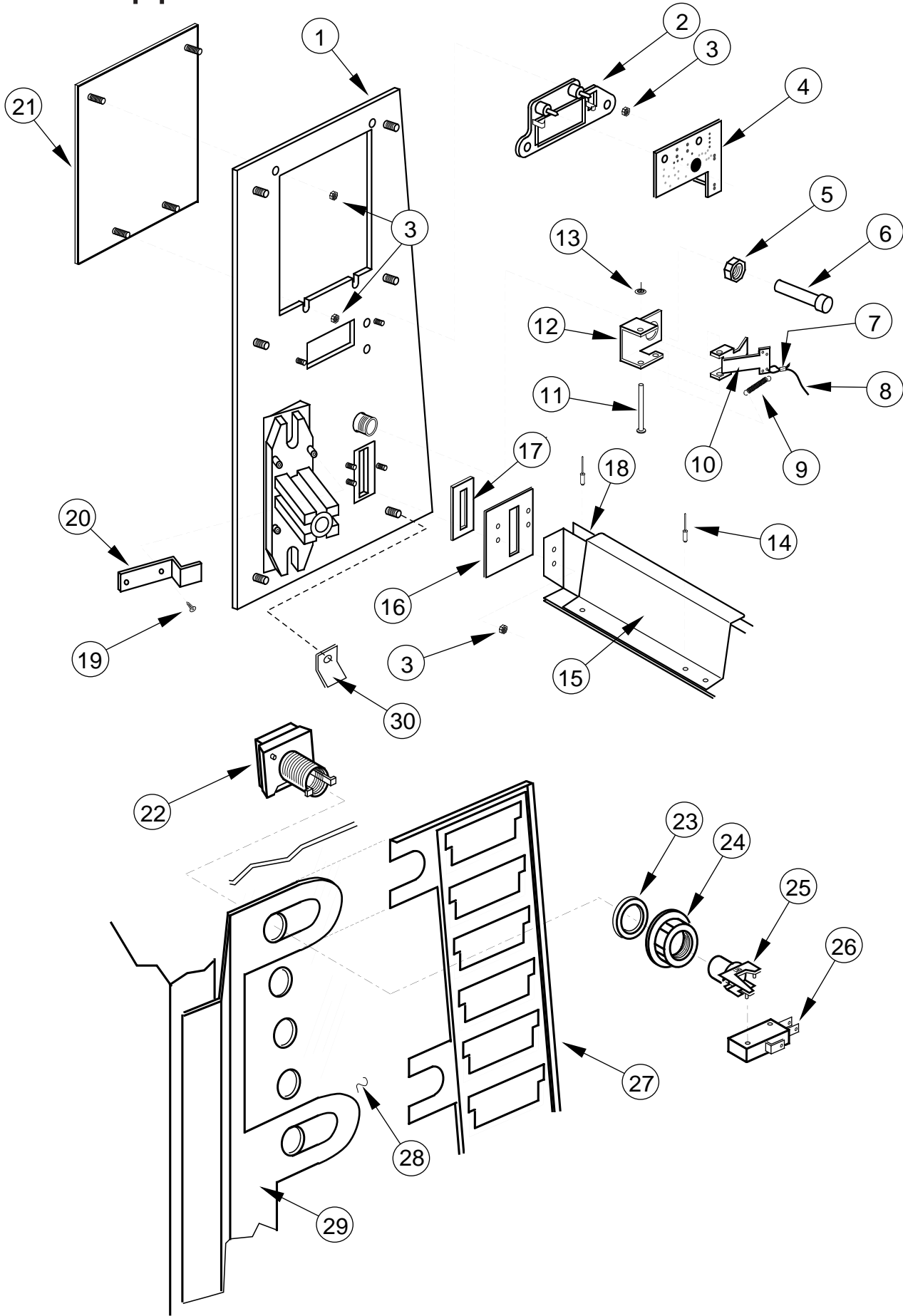
Coin Insert Assembly Front, Dr Pepper Vision 4

Item #	Part Name	Part Description	Code/Voltage	Part #
1	Validator Vault Welded Assembly			242530
2	Nut	1/4/20		905002
3	Retaining Ring	"C" Clip		912157
4	Lock Cylinder Cover			161532
5	Self Tapping Screw	#8-32x3/8"		901011
6	T-Handle Housing			812190
7	Brass Hex Washer			SEE NOTE #2
8	T-Bolt	1/4-20x1"		901037
9	Spring, T-Handle			SEE NOTE #2
10	Pin, T-Handle			912133
11	2 Keys			SEE NOTE #1
12	Lock			SEE NOTE #1
13	T-Handle Body			812134
14	T-Handle Stud			SEE NOTE #2
15	LED Lens			916032
16	Security Plate Decal	Dr Pepper Vision 4		845765
17	Security Plate Welded Assembly			242520
18	Bushing, Button Coin Return			803030
19	Hex Jam Nut	9/16-18 UNF2A		905019
20	Button, Coin Return Lever			803031
21	Washer			SEE NOTE #2
22	Square Nut	3/4x1/2-13		905005
23	Nut Retainer			010028
24	Latch Strike			242030
25	Self Tapping Screw	1/4-20x1"		901003
•	Latch Strike Assembly			242031

Note #1: There are various parts. Please specify model and serial number at the time of order

Note #2: This part is not available individually. It must be ordered as an assembly.

CI Rear & Button Panel Assembly, Dr Pepper Vision 4



CI Rear Button Panel Assembly, Dr Pepper Vision 4

Item #	Part Name	Part Description	Code/Voltage	Part #
1	Security Plate Welded Assembly			242520
2	LED Window			010563
3	Nut	#8-32		905001
4	LED Display			836012
5	Hex Jam Nut	9/16-18 UNF2A		905019
6	Button, Coin Return Lever			803031
7	Cable Sleeve			906015
8	3/64" Diameter Cable			911020
9	Coin Return Spring			914023
10	Button Lever			161509
11	Coin Return Pin			811024
12	Hinge			161508
13	5/32 Retainer Ring			906005
14	Pop Rivet	1/8 Aluminum		908004
15	Coin Chute Cover - DP			242517
16	Coin Slot Retainer			242513
17	Coin Plate			141516
18	Coin Chute Assembly	Includes #15 & #14		242570
19	Self Tapping Screw	#8-32x3/8"		901011
20	Lever Stop - DP			242521
21	Validator Cover Assembly - DP			100504
22	Button Assembly - DP			810052
23	Washer, Select Button	DP (Part of Button Assembly)		915230
24	Nut, Select Button	DP (Part of Button Assembly)		915229
25	Switch Holder	DP (Part of Button Assembly)		915225
26	Switch, Miniature			835001
27	Flavor Card Strip Assembly	DP Vision 4		815228
28	Sign, Dr Pepper Vision 4	Must give # of selections		See Note #1
29	Button Bracket Welded Assembly			242550
30	Flavor Card Strap, DP			242536
•	Select Button Assembly, Complete	Includes #22-#25		242580
•	Button Lever Assembly	Includes #9-#13		161594

Note #1: There are various parts. Please specify model and serial number at the time of order

Part Name	Part Description	Code / Voltage	Part #
-----------	------------------	----------------	--------

ELECTRICAL CONNECTORS

FLEXIBLE TUBING	1" DIA X .028 WALL		825001
FLEXIBLE TUBING	3/8" DIA X .028 WALL		825002
FLEXIBLE TUBING	3/4" DIA X .028 WALL		825003
FLEXIBLE TUBING	1/4" DIA X .028 WALL		825023
FLEXIBLE TUBING	1 1/4 " DIA		825040
.187 RECEPT.	1 WIRE / TERMINAL END		940001
.187 RECEPT.	2 WIRE / TERMINAL END		940002
HOUSING 3 WAY	FOR MINI SWITCH		940003
RELAY TERMINAL	REG. .187 FOR RELAY SOCKET		940005
HOUSING .187	SINGLE INSULATION		940006
MATE-N-LOK PIN	MALE TERMINAL		940007
MATE-N-LOK SOCKET	FEMALE TERMINAL		940008
15 WAY CAP	FEMALE /MATE-N-LOK		940011
15 WAY PLUG	MALE / MATE-N-LOK		940012
.187 ULTRA FAST	1 WIRE / FOR PC S.O. LIGHTS / PINK BOOTY		940016
9 WAY CAP	FEMALE / MATE-N-LOK		940019
9 WAY PLUG	MALE / MATE-N-LOK		940020
2 WAY CAP	FEMALE / MATE-N-LOK		940021
2 WAY PLUG	MALE / MATE-N-LOK		940022
.187 ULTRA FAST	2-WIRE / FOR PC S.O. LIGHTS / BLUE BOOTY		940023
CIRCUIT BOARD RECEPT.	MERLIN TRANSFORM / 640251-2 / 2 WAY		940026
CIRCUIT BOARD RECEPT.	OPTIONS / 640251-6 / 6-WAY		940028
CIRCUIT BOARD RECEPT.	SELECT PANEL / 1-640251-2 / 12-WAY		940030
CIRCUIT BOARD RECEPT.	COIN MECH / 1-640251-3 / 13-WAY (OLD)		940031
CIRCUIT BOARD RECEPT.	MOTORS / 1-640251-5 / 15-WAY		940032
CIRCUIT BOARD RECEPT.	COUNTER-ALARM / 640251-3 / 3-WAY		940036
CIRCUIT BOARD TERMINAL	MERLIN / 640252-1		940034
.250 FASTON RECEPTACLE	1 WIRE		940075
.250 FASTON RECEPTACLE	2 WIRE		940054
.250 TERMINAL	2-WIRE BOOT		940038
.250 ULTRA FAST	1-WIRE BOOT		940039
.250 HOUSING			940049

LABELS & DECALS

INSTRUCTION DECAL	MERLIN III VERSION 11.00 (3-BUTTON)		931239
SPACE TO SALES DECAL	MERLIN IV 12 COLUMNS		931301
SPACE TO SALES DECAL	MERLI IV 10 COLUMNS		931302
COLUMNS ASSIGNMENT DECAL	MERLIN VI		931300
BILL VALIDATOR LABEL	FRENCH CANADIAN		931144
MERLIN II VERSION 5 LABEL	FRENCH CANADIAN		931313
LOADING LABEL	MERLIN IV / PC / DP / CD		931283
SELECTION DECAL	MERLIN-SOLD OUT-CORRECT CHANGE		931055
SELECTION BUTTON DECAL	BLACK DECAL AROUND SELECT BUTTON		845383
SELECTION DECAL & COLUMN	CHART 1 PER VENDOR W/ 12 COLUMNS		931333
COIN MECH LABEL	REGULAR		931030
COIN MECH LABEL	MERLIN		931088
MADE IN THE USA LABEL	FOR BACK OF CABINET		931027
PC INST. LABEL	FOR PC & CD		831026
FUSE BOX LABEL	3 AMP		931113
SECURITY PLATE DECAL	PC/CD MERLIN		845641
SECURITY PLATE DECAL	PC/CD MERLIN CDC		845530
SECURITY PLATE DECAL	PC/CD REGULAR CDC		845531
SECURITY PLATE DECAL	FRENCH CANADIAN		845880
PRICE DECAL SHEET	MERLIN .25 / .30 / .35 ELECTRONIC		831070

Part Name	Part Description	Code / Voltage	Part #
PRICE DECAL SHEET	.25 - 1.25 BLACK BACK W/WHITE LETTERS		831391
PRICE DECAL SHEET	.40 - 1.50 YELLOW/ELECTRONIC		831056
PRICE DECAL SHEET	CANADIAN 75¢-\$1.75		931266
PRICE DECAL SHEET	CANADIAN \$1.80 -\$2.50		931267
PRICE DECAL SHEET	.25 - .75		931248
PRICE DECAL SHEET	.75 - 1.25		931249
PACKAGING DECAL SHEET			931250
PACKAGING DECAL SHEET	CANADIAN		931263

MANUALS

MANUAL	ELECTRO-MECH		010127
MANUAL	MERLIN 2000		833003
MANUAL	3 BUTTON MERLIN III		833007
MANUAL	4 BUTTON MERLIN III		833006
MANUAL	MERLIN 4		833018
MERLIN IV	MINI MANUAL, 3 BUTTON		833020
M4 3 BUTTON SERVICE & PARTS	COINCO BOARD - SERVICE ONLY		833021

PAINT

PAINT-WHITE	PER CAN		830005
PAINT-BLACK	PER CAN		830006

SCREWS, BOLTS, WASHERS, ETC.

SCOTCH LOCK CONNECTOR	WIRE CONNECTOR		942128
#6-32 X 1/4 PHILIP	BRASS SCREW		901013
BUSHING 1/2	HEYCO B-500-375		916002
BUSHING 7/8	HEYCO SB-875-10		916071
CABLE CLAMP	5/16 R		916014
CARRIAGE BOLT	1/4-20 X 1/2 LG EMPIG.		901007
CARRIAGE BOLT	1/4-20 X 1" LG EMPIG.		901008
CARRIAGE BOLT	1/4"-20 X 3/4" LG. (FOR LOCK COVER)		901045
COMPRESSOR CLIP	FOR COMP MTG		914002
#10 FLAT WASHER	STAR WASHER		904007
FLAT WASHER	3/8 ID X 3/4 - 7/8 OD GVN STEEL		904002
FLAT WASHER	3/4 OD X 5/16 ID X 1/16 THK		904006
FLAT WASHER NYLON	7/16 ID X .875 OD X .045 THK		904001
GROOVE PIN	5/32 DIA X 1 1/16		906003
GROOVE PIN	5/32 DIA X 3/4 LONG		906004
KEPS NUT	#8-32 W/EX TOOTH WS		905001
KEPS NUT	1/4-20 W/EX TOOTH WS		905002
KEPS NUT	3/8"-16		905007
NYLINER 1/2	THOMSON 8L2-FF TYPE7		916010
NYLINER 1/2	THOMSON 616-F TYPE5		916012
NYLINER 3/8	THOMSON 6L2-FF TYPE7		916011
PIN FOR T-HANDLE	TO CONNECT STUD TO HANDLE		912133
POP RIVET	1/8 DIA X .250 GRIP SS		908001
POP RIVET	3/16 DIA X .190 GRIP SS		908002
POP RIVET	1/4 DIA X .19 GRIP ALUM		908003
POP RIVET	1/8 DIA X .19 GRIP ALUM		908004
RETAINING RING	FOR 5/32 DIA ROD		906005
S/M SCREW	#4 X 3/4 LG TYPE B		902002
S/M SCREW	#4 X 1 1/8 LG TYPE B		902003
S/M SCREW	#4 X 5/8" TYPE B PAN HEAD PHILLIPS		902009
SELF DRILLING SCREW	#8 X 1/2 W/1/2 OD WAS		902001
SELF DRILLING SCREW	#8 X 1/2 LG		902004

Part Name	Part Description	Code / Voltage	Part #
SELF TAPPING SCREW	#10-31 X 1" PAN HEAD PHILLIPS		901027
SEMS CAP SCREW	1/4-20 X 1" LG		901003
SEMS SCREW	#8-32 X 1/2 LG		901002
SEMS SCREW	# 6-32 X 3/8 LG		901004
SEMS SCREW	#8-32 X 1/2 LG W/FL W		901006
SEMS SCREW	#8-32 X 3/8		901011
SEMS SCREW	#8-32 X 1/2 HEX HD SLOTTED		901012
SCREW	THREAD CUTTING , FLAT HD PHILLIPS TYPE F		901046
SPRING RESTRICTOR	FOR REFRIG SYSTEM		914005
T SCREW	#8-32 X 3/4 LG		901001
THREDSTUD	#8-32 X 1/2 LONG		906001
THREDSTUD	#8-32 X 7/8 LONG		906002
U CLAMP	FOR TOP FAN HOUSING		906007
WELD NUT	#5/8-11		907002
WELD NUT	#1/4-20		907003
WELD NUT	SPADE TYPE .218 DIA.		907004
WELD NUT	ROUND HD. .218 DIA		907005
WELD NUT	ROUND HD 1/4 DIA 1" LG		907006
WIRE TIE	5" LONG		916063
WIRE TIE SMALL	PANDUIT SST1.5M		916007
XMAS TREE CLIP	SIGNS		916009

SHIMS

10 OZ. CAN KIT/COLUMN	3-DEEP / NARROW / MERLIN		058121
10 OZ. CAN KIT	WIDE/3-DEEP		058170
12 OZ. FORMED CAN SHIM	NARROW COL /16 OZ. 3 DEEP		201101
FORMED CAN SHIM	NARROW COLUMN 3 DEEP (.375 THK.)		058129
FORMED SHIM-NARROW	2-D		011179
FORMED SHIM-RIGHT	.31 THICK		011196
FORMED SHIM-LEFT	.31 THICK		011197
10 OZ. FLAT SHIM	WIDE/3-DEEP		058105
3 DEEP FLAT SHIM	20GA.		119708
3 DEEP FLAT SHIM	12GA.		108711
3 DEEP FLAT SHIM	16 GA.		108715
3 + DEEP FLAT SHIM	WIDE		201135
3 DEEP FLAT SHIM	FOR BOTTLE VENDORS / 20 OZ WIDE COL ONLY		108709
FLAT SHIM RIGHT SIDE	20 GA (NO NOTCH)		011177
FLAT SHIM WIDE / COLUMN	20 GA.		010128
W/A SHIM RIGHT	3 DEEP / .28 THICK		058180
W/A SHIM LEFT	3 DEEP / .28 THICK		058190
W/A LEFT SHIM	1 PER WIDE COL GATORADE/POWERADE 540		108730
W/A RIGHT SHIM	1 PER WIDE COL GATORADE/POWERADE 540		108740
CONVERSION KIT	12OZ CAN (510/609) W/N COL. W/S/O PAD.		201120
CONVERSION KIT	12 OZ CAN / 3 DEEP+		201191
CONVERSION KIT	12 OZ CAN 3DP 540/630 EV W-O/S-O PADDLES		201192
CONVERSION KIT	12 OZ CAN 3DP 540/630 EV W/S-O PADDLES		201193
CONVERSION KIT	12 OZ CAN 3 DP 5120/609 EV W-O/S-O PADDLES		201197
CONVERSION KIT	12 OZ CAN 3DP+ 540/630 EV W-O/S-O PADDLES		201194
CONVERSION KIT	12 OZ CAN 3DP+ 510/609 EV W/S-O PADDLES		201196
10 OZ BOTTLE SHIM	2 DEEP NARROW COLUMN		010107
12 OZ CAN SHIM	NARROW SHIM 16 OZ 3 DEEP		201102
10 OZ. NAR. CAN SHIM/COL	2-DEEP/MERLIN		010143
10 OZ. CAN SHIM/COL	WIDE		010118
6 OZ. CAN SHIM/COLUMN	2-DEEP/MERLIN		010144
3 D WIDE COLUMN SHIM RIGHT	STANDARD REAR CAN SHIM 552		058714
3 D WIDE COLUMN SHIM LEFT	STANDARD REAR CAN SHIM 552		058715
3 D NARROW COLUMN SHIM	STANDARD REAR CAN SHIM 552		058707

Part Name	Part Description	Code / Voltage	Part #
NARROW SHIM 3 DEEP	VITTEL		058134
NARROW SHIM 3 DEEP	16OZ BOTTLE		058138
WIDE SHIM LEFT	20 OZ BOTTLES 3 DEEP		058136
WIDE SHIM LEFT 16 OZ CAN	3 DEEP WIDE COLUMN		058126
WIDE SHIM RIGHT	20 OZ 3 DEEP		058135
WIDE SHIM RIGHT 16 OZ CAN	3 DEEP WIDE COLUMN		058125
3 DEEP SHIM ROD	FOR BOTTLE SHIM KITS		803009
SHIM ROD	FOR BOTTLE SHIM KITS		803007
ROD SPRING	SHIM ROD		914006
TIE STRIP SHIM	MERLIN		011189
BOTTOM TIE STRIP	16 OZ 3 DEEP MERLIN		203901
NARROW SHIM	10 OZ CAN 3 DEEP NARROW COLUMN		058124
USE ON RUN 1352 AND AFTER ON ALL 3 DEEP+ MERLIN			
FLAT SHIM	WIDE COLUMN / 3 DEEP + (12 GA.)		201105
FLAT SHIM	WIDE COLUMN / 3 DEEP+ (20 GA)		201107
FLAT SHIM	20 OZ BOTTLE / 3 DEEP+		201125
FLAT SHIM	3 DEEP+ / 16 GAUGE		201128
12 OZ FORMED CAN SHIM	NARROW COLUMN / 16 OZ / 3 DEEP+		201106
FORMED CAN SHIM	NARROW COLUMN / 3 DEEP+ (.375 THK)		201115
FORMED CAN SHIM	RIGHT / 3 DEEP+ / PC 12 OZ BOTTLE		201126
FORMED CAN SHIM	LEFT / 3 DEEP+ / PC 12 OZ BOTTLE		201127
FORMED SHIM	LEFT 3 DEEP+ WIDE COLUMN		201109
FORMED SHIM	RIGHT 3 DEEP+		201111
FORMED SHIM	NARROW COLUMN / 3 DP+		201122
6 OZ CAN SHIM	NARROW COLUMN / 3 DP+ / MERLIN		201121
10 OZ CAN SHIM	NARROW COLUMN / 3 DP+		201118
12 OZ CAN SHIM	NARROW SHIM / 16 OZ / 3 DEEP+		201108
NARROW SHIM	3 DEEP+ / 12 OZ CAN		201721
NARROW SHIM	16OZ BOTTLE		201132
W/A SHIM RIGHT	3 DEEP+ / .280 THICK		201160
W/A SHIM LEFT	3 DEEP+ / .280 THICK		201170
W/A SHIM LEFT	3 DEEP+ / POWERADE		201182
W/A SHIM RIGHT	3 DEEP+ / POWERADE		201183
WIDE SHIM RIGHT	3 DEEP+ MERLIN / 12 OZ CAN		201722
WIDE SHIM LEFT	3 DEEP+ MERLIN / 12 OZ CAN		201723
WIDE SHIM RIGHT	20 OZ BOTTLE / 3 DEEP+		201129
WIDE SHIM LEFT	20 OZ BOTTLE / 3 DEEP+		201131
SHIM HANGING ROD	NARROW		811006
SHIM HANGING ROD	5/32 DIA X 33.5 LONG		811003

LOCKS & KEYS

PC LOCK-2 KEYS	KEYED RVP 2		812005
PC LOCK-2 KEYS	KEYED RVP 3		812006
LOCK W/O KEYS PC	#RVP 2		812126
LOCK W/O KEYS PC	#RVP 3		812127
I KEY PC	RVP 1		912115
I KEY PC	RVP 2		912116
I KEY PC	RVP 3		912117

WIRING HARNESS

DOOR WIRING HARNESSES ARE FOR REV 1 BOARDS			
DOOR WIRING HARNESS	8 SEL PC/CD MERLIN		012934
DOOR WIRING HARNESS	6 SEL PC/CD NARROW MERLIN		040915
DOOR WIRING HARNESSES ARE FOR REV 2 BOARDS AND ABOVE.			
DOOR WIRING HARNESS	10 SELECT PC/CD MERLIN		017905
DOOR WIRING HARNESS	10 SEL PC MERLIN C.D.C.		196902

Part Name	Part Description	Code / Voltage	Part #
DOOR WIRING HARNESS	8 SE PC/CD MER (RUN 1272 & AFTER)		012912
DOOR WIRING HARNESS	6 NV SELECT PC/CD MERLIN		040904
DOOR WIRING HARNESS	6 SEL PC/CD MERLIN (630,540,444,372)		105903
DOOR WIRING HARNESS	5 SELECT NV PC/CD MERLIN		043904
DOOR WIRING HARNESS	7 SEL CC MERLIN C.D.C.		161902
DOOR WIRING HARNESS	PC/CD 10 & CC 9 SEL MERLIN III CDC		163902
DOOR WIRING HARNESS ARE FOR ALL ELECTRO-MECH VENDORS			
DOOR WIRING HARNESS	8 SELECT PC/CD REGULAR		012552
DOOR WIRING HARNESS	8 SELECT PC/CD REG. C.D.C.		195515
CABINET WIRING HARNESSES ARE FOR ALL MERLIN VENDOR			
CABINET WIRING HARNESS	10 SELECT PC/CD MERLIN		017904
CABINET WIRING HARNESS	10 SELECT PC/CD 618-10 MERLIN		220901
CABINET WIRING HARNESS	6 SELECT PC/CD (282,246,186) MERLIN		040903
CABINET WIRING HARNESS	6 SELECT PC/CD (540/630) MERLIN		114701
CABINET WIRING HARNESS ARE FOR ALL ELECTRO-MECH VENDORS			
CABINET WIRING HARNESS	8 SELECT PC/CD REGULAR		012701
MAIN WIRING HARNESS	ALL REGULAR VENDORS		842005
SELECT PANEL HARNESSES ARE FOR ALL MERLIN VENDOR			
SELECT PANEL HARNESS	10 SELECT PC/CD MERLIN		017903
SELECT PANEL HARNESS	10 SELECT PC/CD MERLIN C.D.C.		196901
SELECT PANEL HARNESS	8 SELECT PC/CD MERLIN		012543
SELECT PANEL HARNESS	6 SELECT PC/CD (282-6) MERLIN		040509
SELECT PANEL HARNESS	5 SELECT PC/CD (310-5) MERLIN		120501
SELECT PANEL HARNESS	5 SEL NV PC/CD (200) MERLIN		043506
ACCESSORY HARNESSES			
EXTERNAL D.E.X HARNESS	5.09 AND HIGHER, 10.00, 11.00 (EXTERNAL)		842119
DEX ROYAL HARNESS	ROYAL -- DEX (INTERNAL)		842099
IRON FERRITE JUMPER ASSY	FOR BOARD		011103
IRON FERRITE JUMPER ASSY	FOR BALLAST		010175
INTERFACE MOTOR HARNESS	VERSION 1 OR 2 TO VERSION 5 OR 6		842065
INTERFACE VALIDATOR HARNESS	VERSION 1 OR 2 TO VERSION 5 OR 6		842066
MAIN WIRING HARNESS	ALL MERLIN		842063
MAIN WIRING HARNESS	ALL MERLIN 4		842169
MECHANISM HARNESS	MERLIN IV / 12 COLUMNS-PRIOR TO 1521		842174
MECHANISM HARNESS	MERLIN IV / 12 COLUMNS-1521 & AFTER		842230
MECHANISM HARNESS	MERLIN IV / 10 COLUMNS-1521 & AFTER		842231
POWER LEAD	FEMALE END FROM LINE FILTER		842030
REFRIGERATION /RELAY HARNESS	CABINET SIDE		842237
REFRIGERATION /RELAY HARNESS	DOOR SIDE		842236
REFRIGERATION RELAY HARNESS	WIDE DOOR SIDE CDC MERLIN III		842235
TEMP SENSOR			822030

CONTROL BOARDS / CHIPS

CONTROL BOARD	5.06		836052
CONTROL BOARD	5.11		836052
CONTROL BOARD	11.06 PC/CD/DP		836068
CONTROL BOARD	ROYAL COLD CAN -PC/CD(COMPACT VENDOR)		836085
CONTROL BOARD	PC/CD MERLIN 4 (3 BUTTON)		836094
CONTROL BOARD	P.C. BOARD ASSY, MERLIN IV		836101
CONTROL BOARD CHIP	5.11		836048
CONTROL BOARD CHIP	11.06		836069
CONTROLLER CHIP - REV.	REV. 41.05 (3 BUTTON POGRAMMING)		836095
PC BOARD ASY, MERLIN IV	(3 BUTTON) ALL M IV REQ. COINCO BOARDS		836101
CIRCUIT BOARD TEST BOX	TO TEST CONTROL BOARDS		011129

Part Name	Part Description	Code / Voltage	Part #
-----------	------------------	----------------	--------

ELECTRONIC ACCESSORIES

CONVERSION KIT	ELECTRONIC REFRIGERATION CONTROL		012162
MERLIN CONVERSION KIT	CD/PC VERSION 5.00 TO VERSION 11.00		012153
SMALL WATER BOTTLE VEND KIT	79"MERLIN 4 (2.500")		256110
SMALL WATER BOTTLE VEND KIT	72" MERLIN 4 (2.500")		257110
RECOMMENDED INVENTORY PART	MERLIN IV 3 BUTTON		256910
LAMP RELAY KIT	MERLIN III		141160
KEY SWITCH LOCK KIT	NO VEND		012156
KEY SWITCH LOCK KIT	NO VEND MERLIN IV		256140
FREE VEND SWITCH KIT	FREE VEND		012154
FREE VEND SWITCH KIT	FREE VEND MERLIN IV		256150
KEY SWITCH LOCK	MERLIN II		011126
VEND COUNTER ASSEMBLY	110 VOLT		010150
VEND COUNTER ASSEMBLY	MERLIN 1.16A AND UNDER		010193
DUAL PRICE CHANGER RELAY	ANTI THEFT KIT ELECTRO-MECH		011199
VEND RELAY	ELECTRO-MECH		836001

LOCK COVERS

LOCK COVER ASSEMBLY	BEFORE RUN CC 1172, CD 1032, PC1045 2PCS		010110
LOCK COVER ASSEMBLY	CD 1033 & NEWER, CC 1173 TO 1207 3PCS		011140
LOCK COVER ASSEMBLY	PC & DP 1045 & NEWER		012130
LOCK COVER KIT	PC CENTER DOOR CHANGER		195513
STRIKE/LOCK PLATE	VANDAL RESISTANT		810039
LOCK PLATE	VANDAL RESISTANT		810038
LOCK COVER STRIKE	FOR 2 PCS LOCK COVER		010116
LATCH PLATE	FOR RUN 1173 TO 1207		810020
LOCK PLATE	FOR RUN 1173 TO 1207		810019

CHANGER ACCESSORIES

COIN CHANGER RECEPTACLE	ELECTRO-MECH/JONES PLUG TERMINAL		940004
COIN CHANGER SOCKET	ELECTRO-MECH/JONES PLUG HOUSING		940009
15 WAY CHANGER SOCKET	MERLIN		840059
HARNESS ASSY SERIAL CHANGER	SERIAL CHANGER HARNESS / FROM BOARD		842079
CHANGER PLUG HARNESS	C.D.C. FOR "L" CHANGER RUN 1374 AFTER		195906
CHANGER PLUG HARNESS ASSY	MERLIN		010914
CHANGER PLUG HARNESS-110VDC	A.V.I. VENDORS		122525
COIN INSERT COVER	VENDORS W CAST IRON COIN INSERT		012119
WATER SHIELD	COIN INSERT		012530

KITS AND ASSEMBLIES

PATCH PLATE KIT	FOR SECURITY PLATE / PC / CD		012191
MULTI PRICE KIT	PC/CD		012171
KEY SWITCH LOCK KIT	REG		012151
SECURITY PLATE/TOP HINGE KIT	FOR ALL VENDORS		141017
VALIDATOR JUMPER ASSY	COINCO & MARS		010138
DEBITEK PLATE ASSEMBLY	FOR MOUNTING CARD READER (DEBITEK)		141103

STACK ACCESSORIES

SWITCH INSULATOR SPACER	FOR SOLD OUT SWITCHES		815016
SOLD OUT BAR	8 SELECT		010733
SOLD OUT PADDLE	NARROW		010731

Part Name	Part Description	Code / Voltage	Part #
SOLD OUT PADDLE	WIDE		010729
SOLD OUT COVER	WIDE		010033
CAM	3-DEEP OSCILLATOR		815048
CAM	3-DEEP ROTOR		815049
CAM	2 DEEP		815027
79" GATE W/A	6W/1N REGULAR		027710
79" GATE W/A	4W/4N REGULAR		010760
79" GATE W/A	4W/4N MERLIN		010910
79" GATE W/A (SMALL)	1W/9N MERLIN		015910
GATE W/A SMALL	3W/3N MERLIN 72"		036910
79" GATE W/A (LARGE)	1W/9N MERLIN		015920
79" GATE W/A	1W/9N REGULAR		015720
72" GATE W/A	4W/4N WIDE REGULAR		011710
72" GATE W/A	4W/4N WIDE MERLIN		011910
72" GATE W/A	1W/9N WIDE REGULAR		016720
72" GATE W/A (SMALL)	1W/9N WIDE REGULAR		016710
72" GATE W/A (SMALL)	1W/9N WIDE MERLIN		016910
72" GATE W/A (LARGE)	1W/9N WIDE MERLIN		016920
72" GATE W/A 3-DEEP	4W/4N WIDE MERLIN		059910
MECH. GATE W/A	72" 16OZ 3 DP MERLIN CD/PC (510)		204920
MECH. GATE W/A	SMALL 9/10 SEL MERLIN 72" 3 DEEP		091910
HEM CHANNEL CAP	ALL		815024
LATCH	GATE		010725
VEND MOTOR COVER	WIDE & 3-DEEP		010029
VEND MOTOR COVER	NARROW		036003
MECH. PLATE	REAR 8 SELECT 4/W 4/N		010703
MECH SUPPORT	2 DEEP		010005